

WARNING ELECTRONICS UNIT CHASSIS ASSEMBLY

PART NUMBERS 285T0007-14,-15,-19,-22,
-23,-25,-27,-30,-31,
-32,-35,-40,-43,
-45 THRU -48,
-50 THRU -54,
-56 THRU -61,-63,-64,
-66 THRU -69,
-71 THRU -74,
-200 THRU -202

COMPONENT MAINTENANCE MANUAL
WITH
ILLUSTRATED PARTS LIST

25-71-02

TITLE PAGE

Page 1

Nov 01/02

01

 **BOEING**
COMPONENT
MAINTENANCE MANUAL

REVISION RECORD

- Retain this record in front of manual. On receipt of revision, insert revised pages in the manual, and enter revision number, date inserted and initial.

REVISION NUMBER	REVISION DATE	DATE FILED	BY	REVISION NUMBER	REVISION DATE	DATE FILED	BY

25-71-02

REVISION RECORD

01

Page 1

Nov 01/02



TEMPORARY REVISION AND SERVICE BULLETIN RECORD

BOEING SERVICE BULLETIN	BOEING TEMPORARY REVISION	OTHER DIRECTIVE	DATE OF INCORPORATION INTO MANUAL

25-71-02

TR & SB RECORD

01

Page 1

Nov 01/02


BOEING
 COMPONENT
 MAINTENANCE MANUAL

PAGE	DATE	CODE	PAGE	DATE	CODE
25-71-02			DESCRIPTION & OPERATION		CONT.
TITLE PAGE			*16	NOV 01/02	01
*1	NOV 01/02	01	*17	NOV 01/02	01
*2	BLANK		*18	NOV 01/02	01
REVISION RECORD			*19	NOV 01/02	01
*1	NOV 01/02	01	*20	NOV 01/02	01
*2	BLANK		*21	NOV 01/02	01
TR & SB RECORD			*22	NOV 01/02	01
*1	NOV 01/02	01	*23	NOV 01/02	01
*2	BLANK		*24	NOV 01/02	01
LIST OF EFFECTIVE PAGES			*25	NOV 01/02	01
*1	NOV 01/02	01	*26	NOV 01/02	01
THRU LAST PAGE			*27	NOV 01/02	01
CONTENTS			*28	NOV 01/02	01
*1	NOV 01/02	01	*29	NOV 01/02	01
*2	BLANK		*30	NOV 01/02	01
INTRODUCTION			*31	NOV 01/02	01
*1	NOV 01/02	01	*32	NOV 01/02	01
*2	BLANK		*33	NOV 01/02	01
DESCRIPTION & OPERATION			*34	NOV 01/02	01
*1	NOV 01/02	01	TESTING & TROUBLE SHOOTING		
*2	NOV 01/02	01	*101	NOV 01/02	01
*3	NOV 01/02	01	*102	NOV 01/02	01
*4	NOV 01/02	01	*103	NOV 01/02	01
*5	NOV 01/02	01	*104	NOV 01/02	01
*6	NOV 01/02	01	*105	NOV 01/02	01
*7	NOV 01/02	01	*106	NOV 01/02	01
*8	NOV 01/02	01	*107	NOV 01/02	01
*9	NOV 01/02	01	*108	NOV 01/02	01
*10	NOV 01/02	01	*109	NOV 01/02	01
*11	NOV 01/02	01	*110	NOV 01/02	01
*12	NOV 01/02	01	*110A	NOV 01/02	01
*13	NOV 01/02	01	*110B	NOV 01/02	01
*14	NOV 01/02	01	*110C	NOV 01/02	01
*15	NOV 01/02	01	*110D	NOV 01/02	01
			*110E	NOV 01/02	01
			*110F	NOV 01/02	01
			*110G	NOV 01/02	01
			*110H	NOV 01/02	01
			*110I	NOV 01/02	01
			*110J	NOV 01/02	01
			*110K	NOV 01/02	01

* = REVISED, ADDED OR DELETED

25-71-02

EFFECTIVE PAGES

CONTINUED Page 1

01 Nov 01/02

PAGE	DATE	CODE	PAGE	DATE	CODE
TESTING & TROUBLE SHOOTING			TESTING & TROUBLE SHOOTING		
		CONT.			CONT.
*110L	NOV 01/02	01	*112Z	NOV 01/02	01
*110M	NOV 01/02	01	*113	NOV 01/02	01
*110N	NOV 01/02	01	*114	NOV 01/02	01
*110O	NOV 01/02	01	*114A	NOV 01/02	01
*110P	NOV 01/02	01	*114B	NOV 01/02	01
*110Q	NOV 01/02	01	*114C	NOV 01/02	01
*110R	NOV 01/02	01	*114D	NOV 01/02	01
*110S	NOV 01/02	01	*114E	NOV 01/02	01
*110T	NOV 01/02	01	*114F	NOV 01/02	01
*110U	NOV 01/02	01	*114G	NOV 01/02	01
*110V	NOV 01/02	01	*114H	NOV 01/02	01
*110W	NOV 01/02	01	*114I	NOV 01/02	01
*110X	NOV 01/02	01	*114J	NOV 01/02	01
*110Y	NOV 01/02	01	*114K	NOV 01/02	01
*110Z	NOV 01/02	01	*114L	NOV 01/02	01
*111	NOV 01/02	01	*114M	NOV 01/02	01
*112	NOV 01/02	01	*114N	NOV 01/02	01
*112A	NOV 01/02	01	*114O	NOV 01/02	01
*112B	NOV 01/02	01	*114P	NOV 01/02	01
*112C	NOV 01/02	01	*114Q	NOV 01/02	01
*112D	NOV 01/02	01	*114R	NOV 01/02	01
*112E	NOV 01/02	01	*114S	NOV 01/02	01
*112F	NOV 01/02	01	*114T	NOV 01/02	01
*112G	NOV 01/02	01	*114U	NOV 01/02	01
*112H	NOV 01/02	01	*114V	NOV 01/02	01
*112I	NOV 01/02	01	*114W	NOV 01/02	01
*112J	NOV 01/02	01	*114X	NOV 01/02	01
*112K	NOV 01/02	01	*114Y	NOV 01/02	01
*112L	NOV 01/02	01	*114Z	NOV 01/02	01
*112M	NOV 01/02	01	*115	NOV 01/02	01
*112N	NOV 01/02	01	*116	NOV 01/02	01
*112O	NOV 01/02	01	*116A	NOV 01/02	01
*112P	NOV 01/02	01	*116B	NOV 01/02	01
*112Q	NOV 01/02	01	*116C	NOV 01/02	01
*112R	NOV 01/02	01	*116D	NOV 01/02	01
*112S	NOV 01/02	01	*116E	NOV 01/02	01
*112T	NOV 01/02	01	*116F	NOV 01/02	01
*112U	NOV 01/02	01	*116G	NOV 01/02	01
*112V	NOV 01/02	01	*116H	NOV 01/02	01
*112W	NOV 01/02	01	*116I	NOV 01/02	01
*112X	NOV 01/02	01	*116J	NOV 01/02	01
*112Y	NOV 01/02	01	*116K	NOV 01/02	01

* = REVISED, ADDED OR DELETED

25-71-02

EFFECTIVE PAGES
 CONTINUED Page 2
 01 Nov 01/02


BOEING
 COMPONENT
 MAINTENANCE MANUAL

PAGE	DATE	CODE	PAGE	DATE	CODE
TESTING & TROUBLE SHOOTING		CONT.	TESTING & TROUBLE SHOOTING		CONT.
*116L	NOV 01/02	01	*118Z	NOV 01/02	01
*116M	NOV 01/02	01	*119	NOV 01/02	01
*116N	NOV 01/02	01	*120	NOV 01/02	01
*116O	NOV 01/02	01	*120A	NOV 01/02	01
*116P	NOV 01/02	01	*120B	NOV 01/02	01
*116Q	NOV 01/02	01	*120C	NOV 01/02	01
*116R	NOV 01/02	01	*120D	NOV 01/02	01
*116S	NOV 01/02	01	*120E	NOV 01/02	01
*116T	NOV 01/02	01	*120F	NOV 01/02	01
*116U	NOV 01/02	01	*120G	NOV 01/02	01
*116V	NOV 01/02	01	*120H	NOV 01/02	01
*116W	NOV 01/02	01	*120I	NOV 01/02	01
*116X	NOV 01/02	01	*120J	NOV 01/02	01
*116Y	NOV 01/02	01	*120K	NOV 01/02	01
*116Z	NOV 01/02	01	*120L	NOV 01/02	01
*117	NOV 01/02	01	*120M	NOV 01/02	01
*118	NOV 01/02	01	*120N	NOV 01/02	01
*118A	NOV 01/02	01	*120O	NOV 01/02	01
*118B	NOV 01/02	01	*120P	NOV 01/02	01
*118C	NOV 01/02	01	*120Q	NOV 01/02	01
*118D	NOV 01/02	01	*120R	NOV 01/02	01
*118E	NOV 01/02	01	*120S	NOV 01/02	01
*118F	NOV 01/02	01	*120T	NOV 01/02	01
*118G	NOV 01/02	01	*120U	NOV 01/02	01
*118H	NOV 01/02	01	*120V	NOV 01/02	01
*118I	NOV 01/02	01	*120W	NOV 01/02	01
*118J	NOV 01/02	01	*120X	NOV 01/02	01
*118K	NOV 01/02	01	*120Y	NOV 01/02	01
*118L	NOV 01/02	01	*120Z	NOV 01/02	01
*118M	NOV 01/02	01	*121	NOV 01/02	01
*118N	NOV 01/02	01	*122	NOV 01/02	01
*118O	NOV 01/02	01	*122A	NOV 01/02	01
*118P	NOV 01/02	01	*122B	NOV 01/02	01
*118Q	NOV 01/02	01	*122C	NOV 01/02	01
*118R	NOV 01/02	01	*122D	NOV 01/02	01
*118S	NOV 01/02	01	*122E	NOV 01/02	01
*118T	NOV 01/02	01	*122F	NOV 01/02	01
*118U	NOV 01/02	01	*122G	NOV 01/02	01
*118V	NOV 01/02	01	*122H	NOV 01/02	01
*118W	NOV 01/02	01	*122I	NOV 01/02	01
*118X	NOV 01/02	01	*122J	NOV 01/02	01
*118Y	NOV 01/02	01	*122K	NOV 01/02	01

* = REVISED, ADDED OR DELETED

25-71-02

EFFECTIVE PAGES

CONTINUED Page 3

01 Nov 01/02

PAGE	DATE	CODE	PAGE	DATE	CODE
TESTING & TROUBLE SHOOTING		CONT.	TESTING & TROUBLE SHOOTING		CONT.
*122L	NOV 01/02	01	*124Z	NOV 01/02	01
*122M	NOV 01/02	01	*125	NOV 01/02	01
*122N	NOV 01/02	01	*126	NOV 01/02	01
*122O	NOV 01/02	01	*126A	NOV 01/02	01
*122P	NOV 01/02	01	*126B	NOV 01/02	01
*122Q	NOV 01/02	01	*126C	NOV 01/02	01
*122R	NOV 01/02	01	*126D	NOV 01/02	01
*122S	NOV 01/02	01	*126E	NOV 01/02	01
*122T	NOV 01/02	01	*126F	NOV 01/02	01
*122U	NOV 01/02	01	*126G	NOV 01/02	01
*122V	NOV 01/02	01	*126H	NOV 01/02	01
*122W	NOV 01/02	01	*126I	NOV 01/02	01
*122X	NOV 01/02	01	*126J	NOV 01/02	01
*122Y	NOV 01/02	01	*126K	NOV 01/02	01
*122Z	NOV 01/02	01	*126L	NOV 01/02	01
*123	NOV 01/02	01	*126M	NOV 01/02	01
*124	NOV 01/02	01	*126N	NOV 01/02	01
*124A	NOV 01/02	01	*126O	NOV 01/02	01
*124B	NOV 01/02	01	*126P	NOV 01/02	01
*124C	NOV 01/02	01	*126Q	NOV 01/02	01
*124D	NOV 01/02	01	*126R	NOV 01/02	01
*124E	NOV 01/02	01	*126S	NOV 01/02	01
*124F	NOV 01/02	01	*126T	NOV 01/02	01
*124G	NOV 01/02	01	*126U	NOV 01/02	01
*124H	NOV 01/02	01	*126V	NOV 01/02	01
*124I	NOV 01/02	01	*126W	NOV 01/02	01
*124J	NOV 01/02	01	*126X	NOV 01/02	01
*124K	NOV 01/02	01	*126Y	NOV 01/02	01
*124L	NOV 01/02	01	*126Z	NOV 01/02	01
*124M	NOV 01/02	01	*127	NOV 01/02	01
*124N	NOV 01/02	01	*128	NOV 01/02	01
*124O	NOV 01/02	01	*128A	NOV 01/02	01
*124P	NOV 01/02	01	*128B	NOV 01/02	01
*124Q	NOV 01/02	01	*128C	NOV 01/02	01
*124R	NOV 01/02	01	*128D	NOV 01/02	01
*124S	NOV 01/02	01	*128E	NOV 01/02	01
*124T	NOV 01/02	01	*128F	NOV 01/02	01
*124U	NOV 01/02	01	*128G	NOV 01/02	01
*124V	NOV 01/02	01	*128H	NOV 01/02	01
*124W	NOV 01/02	01	*128I	NOV 01/02	01
*124X	NOV 01/02	01	*128J	NOV 01/02	01
*124Y	NOV 01/02	01	*128K	NOV 01/02	01

* = REVISED, ADDED OR DELETED

25-71-02

EFFECTIVE PAGES
 CONTINUED Page 4
 01 Nov 01/02


BOEING
 COMPONENT
 MAINTENANCE MANUAL

PAGE	DATE	CODE	PAGE	DATE	CODE
TESTING & TROUBLE SHOOTING		CONT.	TESTING & TROUBLE SHOOTING		CONT.
*128L	NOV 01/02	01	*130Z	NOV 01/02	01
*128M	NOV 01/02	01	*131	NOV 01/02	01
*128N	NOV 01/02	01	*132	NOV 01/02	01
*128O	NOV 01/02	01	*132A	NOV 01/02	01
*128P	NOV 01/02	01	*132B	NOV 01/02	01
*128Q	NOV 01/02	01	*132C	NOV 01/02	01
*128R	NOV 01/02	01	*132D	NOV 01/02	01
*128S	NOV 01/02	01	*132E	NOV 01/02	01
*128T	NOV 01/02	01	*132F	NOV 01/02	01
*128U	NOV 01/02	01	*132G	NOV 01/02	01
*128V	NOV 01/02	01	*132H	NOV 01/02	01
*128W	NOV 01/02	01	*132I	NOV 01/02	01
*128X	NOV 01/02	01	*132J	NOV 01/02	01
*128Y	NOV 01/02	01	*132K	NOV 01/02	01
*128Z	NOV 01/02	01	*132L	NOV 01/02	01
*129	NOV 01/02	01	*132M	NOV 01/02	01
*130	NOV 01/02	01	*132N	NOV 01/02	01
*130A	NOV 01/02	01	*132O	NOV 01/02	01
*130B	NOV 01/02	01	*132P	NOV 01/02	01
*130C	NOV 01/02	01	*132Q	NOV 01/02	01
*130D	NOV 01/02	01	*132R	NOV 01/02	01
*130E	NOV 01/02	01	*132S	NOV 01/02	01
*130F	NOV 01/02	01	*132T	NOV 01/02	01
*130G	NOV 01/02	01	*132U	NOV 01/02	01
*130H	NOV 01/02	01	*132V	NOV 01/02	01
*130I	NOV 01/02	01	*132W	NOV 01/02	01
*130J	NOV 01/02	01	*132X	NOV 01/02	01
*130K	NOV 01/02	01	*132Y	NOV 01/02	01
*130L	NOV 01/02	01	*132Z	NOV 01/02	01
*130M	NOV 01/02	01	*133	NOV 01/02	01
*130N	NOV 01/02	01	*134	NOV 01/02	01
*130O	NOV 01/02	01	*134A	NOV 01/02	01
*130P	NOV 01/02	01	*134B	NOV 01/02	01
*130Q	NOV 01/02	01	*134C	NOV 01/02	01
*130R	NOV 01/02	01	*134D	NOV 01/02	01
*130S	NOV 01/02	01	*134E	NOV 01/02	01
*130T	NOV 01/02	01	*134F	NOV 01/02	01
*130U	NOV 01/02	01	*134G	NOV 01/02	01
*130V	NOV 01/02	01	*134H	NOV 01/02	01
*130W	NOV 01/02	01	*134I	NOV 01/02	01
*130X	NOV 01/02	01	*134J	NOV 01/02	01
*130Y	NOV 01/02	01	*134K	NOV 01/02	01

* = REVISED, ADDED OR DELETED

25-71-02

EFFECTIVE PAGES

CONTINUED Page 5

01 Nov 01/02

PAGE	DATE	CODE	PAGE	DATE	CODE
TESTING & TROUBLE SHOOTING		CONT.	TESTING & TROUBLE SHOOTING		CONT.
*134L	NOV 01/02	01	*136Z	NOV 01/02	01
*134M	NOV 01/02	01	*137	NOV 01/02	01
*134N	NOV 01/02	01	*138	NOV 01/02	01
*134O	NOV 01/02	01	*138A	NOV 01/02	01
*134P	NOV 01/02	01	*138B	NOV 01/02	01
*134Q	NOV 01/02	01	*138C	NOV 01/02	01
*134R	NOV 01/02	01	*138D	NOV 01/02	01
*134S	NOV 01/02	01	*138E	NOV 01/02	01
*134T	NOV 01/02	01	*138F	NOV 01/02	01
*134U	NOV 01/02	01	*138G	NOV 01/02	01
*134V	NOV 01/02	01	*138H	NOV 01/02	01
*134W	NOV 01/02	01	*138I	NOV 01/02	01
*134X	NOV 01/02	01	*138J	NOV 01/02	01
*134Y	NOV 01/02	01	*138K	NOV 01/02	01
*134Z	NOV 01/02	01	*138L	NOV 01/02	01
*135	NOV 01/02	01	*138M	NOV 01/02	01
*136	NOV 01/02	01	*138N	NOV 01/02	01
*136A	NOV 01/02	01	*138O	NOV 01/02	01
*136B	NOV 01/02	01	*138P	NOV 01/02	01
*136C	NOV 01/02	01	*138Q	NOV 01/02	01
*136D	NOV 01/02	01	*138R	NOV 01/02	01
*136E	NOV 01/02	01	*138S	NOV 01/02	01
*136F	NOV 01/02	01	*138T	NOV 01/02	01
*136G	NOV 01/02	01	*138U	NOV 01/02	01
*136H	NOV 01/02	01	*138V	NOV 01/02	01
*136I	NOV 01/02	01	*138W	NOV 01/02	01
*136J	NOV 01/02	01	*138X	NOV 01/02	01
*136K	NOV 01/02	01	*138Y	NOV 01/02	01
*136L	NOV 01/02	01	*138Z	NOV 01/02	01
*136M	NOV 01/02	01	*139	NOV 01/02	01
*136N	NOV 01/02	01	*140	NOV 01/02	01
*136O	NOV 01/02	01	*140A	NOV 01/02	01
*136P	NOV 01/02	01	*140B	NOV 01/02	01
*136Q	NOV 01/02	01	*140C	NOV 01/02	01
*136R	NOV 01/02	01	*140D	NOV 01/02	01
*136S	NOV 01/02	01	*140E	NOV 01/02	01
*136T	NOV 01/02	01	*140F	NOV 01/02	01
*136U	NOV 01/02	01	*140G	NOV 01/02	01
*136V	NOV 01/02	01	*140H	NOV 01/02	01
*136W	NOV 01/02	01	*140I	NOV 01/02	01
*136X	NOV 01/02	01	*140J	NOV 01/02	01
*136Y	NOV 01/02	01	*140K	NOV 01/02	01

* = REVISED, ADDED OR DELETED

25-71-02

EFFECTIVE PAGES
CONTINUED Page 6
01 Nov 01/02


BOEING
 COMPONENT
 MAINTENANCE MANUAL

PAGE	DATE	CODE	PAGE	DATE	CODE
TESTING & TROUBLE SHOOTING		CONT.	TESTING & TROUBLE SHOOTING		CONT.
*140L	NOV 01/02	01	*142Z	NOV 01/02	01
*140M	NOV 01/02	01	*143	NOV 01/02	01
*140N	NOV 01/02	01	*144	NOV 01/02	01
*140O	NOV 01/02	01	*144A	NOV 01/02	01
*140P	NOV 01/02	01	*144B	NOV 01/02	01
*140Q	NOV 01/02	01	*144C	NOV 01/02	01
*140R	NOV 01/02	01	*144D	NOV 01/02	01
*140S	NOV 01/02	01	*144E	NOV 01/02	01
*140T	NOV 01/02	01	*144F	NOV 01/02	01
*140U	NOV 01/02	01	*144G	NOV 01/02	01
*140V	NOV 01/02	01	*144H	NOV 01/02	01
*140W	NOV 01/02	01	*144I	NOV 01/02	01
*140X	NOV 01/02	01	*144J	NOV 01/02	01
*140Y	NOV 01/02	01	*144K	NOV 01/02	01
*140Z	NOV 01/02	01	*144L	NOV 01/02	01
*141	NOV 01/02	01	*144M	NOV 01/02	01
*142	NOV 01/02	01	*144N	NOV 01/02	01
*142A	NOV 01/02	01	*144O	NOV 01/02	01
*142B	NOV 01/02	01	*144P	NOV 01/02	01
*142C	NOV 01/02	01	*144Q	NOV 01/02	01
*142D	NOV 01/02	01	*144R	NOV 01/02	01
*142E	NOV 01/02	01	*144S	NOV 01/02	01
*142F	NOV 01/02	01	*144T	NOV 01/02	01
*142G	NOV 01/02	01	*144U	NOV 01/02	01
*142H	NOV 01/02	01	*144V	NOV 01/02	01
*142I	NOV 01/02	01	*144W	NOV 01/02	01
*142J	NOV 01/02	01	*144X	NOV 01/02	01
*142K	NOV 01/02	01	*144Y	NOV 01/02	01
*142L	NOV 01/02	01	*144Z	NOV 01/02	01
*142M	NOV 01/02	01	*145	NOV 01/02	01
*142N	NOV 01/02	01	*146	NOV 01/02	01
*142O	NOV 01/02	01	*146A	NOV 01/02	01
*142P	NOV 01/02	01	*146B	NOV 01/02	01
*142Q	NOV 01/02	01	*146C	NOV 01/02	01
*142R	NOV 01/02	01	*146D	NOV 01/02	01
*142S	NOV 01/02	01	*146E	NOV 01/02	01
*142T	NOV 01/02	01	*146F	NOV 01/02	01
*142U	NOV 01/02	01	*146G	NOV 01/02	01
*142V	NOV 01/02	01	*146H	NOV 01/02	01
*142W	NOV 01/02	01	*146I	NOV 01/02	01
*142X	NOV 01/02	01	*146J	NOV 01/02	01
*142Y	NOV 01/02	01	*146K	NOV 01/02	01

* = REVISED, ADDED OR DELETED

25-71-02

EFFECTIVE PAGES

CONTINUED Page 7

01 Nov 01/02

PAGE	DATE	CODE	PAGE	DATE	CODE
TESTING & TROUBLE SHOOTING		CONT.	TESTING & TROUBLE SHOOTING		CONT.
*146L	NOV 01/02	01	*148Z	NOV 01/02	01
*146M	NOV 01/02	01	*149	NOV 01/02	01
*146N	NOV 01/02	01	*150	NOV 01/02	01
*146O	NOV 01/02	01	*150A	NOV 01/02	01
*146P	NOV 01/02	01	*150B	NOV 01/02	01
*146Q	NOV 01/02	01	*150C	NOV 01/02	01
*146R	NOV 01/02	01	*150D	NOV 01/02	01
*146S	NOV 01/02	01	*150E	NOV 01/02	01
*146T	NOV 01/02	01	*150F	NOV 01/02	01
*146U	NOV 01/02	01	*150G	NOV 01/02	01
*146V	NOV 01/02	01	*150H	NOV 01/02	01
*146W	NOV 01/02	01	*150I	NOV 01/02	01
*146X	NOV 01/02	01	*150J	NOV 01/02	01
*146Y	NOV 01/02	01	*150K	NOV 01/02	01
*146Z	NOV 01/02	01	*150L	NOV 01/02	01
*147	NOV 01/02	01	*150M	NOV 01/02	01
*148	NOV 01/02	01	*150N	NOV 01/02	01
*148A	NOV 01/02	01	*150O	NOV 01/02	01
*148B	NOV 01/02	01	*150P	NOV 01/02	01
*148C	NOV 01/02	01	*150Q	NOV 01/02	01
*148D	NOV 01/02	01	*150R	NOV 01/02	01
*148E	NOV 01/02	01	*150S	NOV 01/02	01
*148F	NOV 01/02	01	*150T	NOV 01/02	01
*148G	NOV 01/02	01	*150U	NOV 01/02	01
*148H	NOV 01/02	01	*150V	NOV 01/02	01
*148I	NOV 01/02	01	*150W	NOV 01/02	01
*148J	NOV 01/02	01	*150X	NOV 01/02	01
*148K	NOV 01/02	01	*150Y	NOV 01/02	01
*148L	NOV 01/02	01	*150Z	NOV 01/02	01
*148M	NOV 01/02	01	*151	NOV 01/02	01
*148N	NOV 01/02	01	*152	NOV 01/02	01
*148O	NOV 01/02	01	*152A	NOV 01/02	01
*148P	NOV 01/02	01	*152B	NOV 01/02	01
*148Q	NOV 01/02	01	*152C	NOV 01/02	01
*148R	NOV 01/02	01	*152D	NOV 01/02	01
*148S	NOV 01/02	01	*152E	NOV 01/02	01
*148T	NOV 01/02	01	*152F	NOV 01/02	01
*148U	NOV 01/02	01	*152G	NOV 01/02	01
*148V	NOV 01/02	01	*152H	NOV 01/02	01
*148W	NOV 01/02	01	*152I	NOV 01/02	01
*148X	NOV 01/02	01	*152J	NOV 01/02	01
*148Y	NOV 01/02	01	*152K	NOV 01/02	01

* = REVISED, ADDED OR DELETED

25-71-02

EFFECTIVE PAGES
CONTINUED Page 8
01 Nov 01/02


BOEING
 COMPONENT
 MAINTENANCE MANUAL

PAGE	DATE	CODE	PAGE	DATE	CODE
TESTING & TROUBLE SHOOTING		CONT.	TESTING & TROUBLE SHOOTING		CONT.
*152L	NOV 01/02	01	*154Z	NOV 01/02	01
*152M	NOV 01/02	01	*155	NOV 01/02	01
*152N	NOV 01/02	01	*156	NOV 01/02	01
*152O	NOV 01/02	01	*156A	NOV 01/02	01
*152P	NOV 01/02	01	*156B	NOV 01/02	01
*152Q	NOV 01/02	01	*156C	NOV 01/02	01
*152R	NOV 01/02	01	*156D	NOV 01/02	01
*152S	NOV 01/02	01	*156E	NOV 01/02	01
*152T	NOV 01/02	01	*156F	NOV 01/02	01
*152U	NOV 01/02	01	*156G	NOV 01/02	01
*152V	NOV 01/02	01	*156H	NOV 01/02	01
*152W	NOV 01/02	01	*156I	NOV 01/02	01
*152X	NOV 01/02	01	*156J	NOV 01/02	01
*152Y	NOV 01/02	01	*156K	NOV 01/02	01
*152Z	NOV 01/02	01	*156L	NOV 01/02	01
*153	NOV 01/02	01	*156M	NOV 01/02	01
*154	NOV 01/02	01	*156N	NOV 01/02	01
*154A	NOV 01/02	01	*156O	NOV 01/02	01
*154B	NOV 01/02	01	*156P	NOV 01/02	01
*154C	NOV 01/02	01	*156Q	NOV 01/02	01
*154D	NOV 01/02	01	*156R	NOV 01/02	01
*154E	NOV 01/02	01	*156S	NOV 01/02	01
*154F	NOV 01/02	01	*156T	NOV 01/02	01
*154G	NOV 01/02	01	*156U	NOV 01/02	01
*154H	NOV 01/02	01	*156V	NOV 01/02	01
*154I	NOV 01/02	01	*156W	NOV 01/02	01
*154J	NOV 01/02	01	*156X	NOV 01/02	01
*154K	NOV 01/02	01	*156Y	NOV 01/02	01
*154L	NOV 01/02	01	*156Z	NOV 01/02	01
*154M	NOV 01/02	01	*157	NOV 01/02	01
*154N	NOV 01/02	01	*158	NOV 01/02	01
*154O	NOV 01/02	01	*158A	NOV 01/02	01
*154P	NOV 01/02	01	*158B	NOV 01/02	01
*154Q	NOV 01/02	01	*158C	NOV 01/02	01
*154R	NOV 01/02	01	*158D	NOV 01/02	01
*154S	NOV 01/02	01	*158E	NOV 01/02	01
*154T	NOV 01/02	01	*158F	NOV 01/02	01
*154U	NOV 01/02	01	*158G	NOV 01/02	01
*154V	NOV 01/02	01	*158H	NOV 01/02	01
*154W	NOV 01/02	01	*158I	NOV 01/02	01
*154X	NOV 01/02	01	*158J	NOV 01/02	01
*154Y	NOV 01/02	01	*158K	NOV 01/02	01

* = REVISED, ADDED OR DELETED

25-71-02

EFFECTIVE PAGES

CONTINUED Page 9

01 Nov 01/02

PAGE	DATE	CODE	PAGE	DATE	CODE
TESTING & TROUBLE SHOOTING		CONT.	TESTING & TROUBLE SHOOTING		CONT.
*158L	NOV 01/02	01	*160Z	NOV 01/02	01
*158M	NOV 01/02	01	*161	NOV 01/02	01
*158N	NOV 01/02	01	*162	NOV 01/02	01
*158O	NOV 01/02	01	*162A	NOV 01/02	01
*158P	NOV 01/02	01	*162B	NOV 01/02	01
*158Q	NOV 01/02	01	*162C	NOV 01/02	01
*158R	NOV 01/02	01	*162D	NOV 01/02	01
*158S	NOV 01/02	01	*162E	NOV 01/02	01
*158T	NOV 01/02	01	*162F	NOV 01/02	01
*158U	NOV 01/02	01	*162G	NOV 01/02	01
*158V	NOV 01/02	01	*162H	NOV 01/02	01
*158W	NOV 01/02	01	*162I	NOV 01/02	01
*158X	NOV 01/02	01	*162J	NOV 01/02	01
*158Y	NOV 01/02	01	*162K	NOV 01/02	01
*158Z	NOV 01/02	01	*162L	NOV 01/02	01
*159	NOV 01/02	01	*162M	NOV 01/02	01
*160	NOV 01/02	01	*162N	NOV 01/02	01
*160A	NOV 01/02	01	*162O	NOV 01/02	01
*160B	NOV 01/02	01	*162P	NOV 01/02	01
*160C	NOV 01/02	01	*162Q	NOV 01/02	01
*160D	NOV 01/02	01	*162R	NOV 01/02	01
*160E	NOV 01/02	01	*162S	NOV 01/02	01
*160F	NOV 01/02	01	*162T	NOV 01/02	01
*160G	NOV 01/02	01	*162U	NOV 01/02	01
*160H	NOV 01/02	01	*162V	NOV 01/02	01
*160I	NOV 01/02	01	*162W	NOV 01/02	01
*160J	NOV 01/02	01	*162X	NOV 01/02	01
*160K	NOV 01/02	01	*162Y	NOV 01/02	01
*160L	NOV 01/02	01	*162Z	NOV 01/02	01
*160M	NOV 01/02	01	*163	NOV 01/02	01
*160N	NOV 01/02	01	*164	NOV 01/02	01
*160O	NOV 01/02	01	*164A	NOV 01/02	01
*160P	NOV 01/02	01	*164B	NOV 01/02	01
*160Q	NOV 01/02	01	*164C	NOV 01/02	01
*160R	NOV 01/02	01	*164D	NOV 01/02	01
*160S	NOV 01/02	01	*164E	NOV 01/02	01
*160T	NOV 01/02	01	*164F	NOV 01/02	01
*160U	NOV 01/02	01	*164G	NOV 01/02	01
*160V	NOV 01/02	01	*164H	NOV 01/02	01
*160W	NOV 01/02	01	*164I	NOV 01/02	01
*160X	NOV 01/02	01	*164J	NOV 01/02	01
*160Y	NOV 01/02	01	*164K	NOV 01/02	01

* = REVISED, ADDED OR DELETED

25-71-02

EFFECTIVE PAGES
CONTINUED Page 10
01 Nov 01/02


BOEING
 COMPONENT
 MAINTENANCE MANUAL

PAGE	DATE	CODE	PAGE	DATE	CODE
TESTING & TROUBLE SHOOTING		CONT.	TESTING & TROUBLE SHOOTING		CONT.
*164L	NOV 01/02	01	*166Z	NOV 01/02	01
*164M	NOV 01/02	01	*167	NOV 01/02	01
*164N	NOV 01/02	01	*168	NOV 01/02	01
*164O	NOV 01/02	01	*168A	NOV 01/02	01
*164P	NOV 01/02	01	*168B	NOV 01/02	01
*164Q	NOV 01/02	01	*168C	NOV 01/02	01
*164R	NOV 01/02	01	*168D	NOV 01/02	01
*164S	NOV 01/02	01	*168E	NOV 01/02	01
*164T	NOV 01/02	01	*168F	NOV 01/02	01
*164U	NOV 01/02	01	*168G	NOV 01/02	01
*164V	NOV 01/02	01	*168H	NOV 01/02	01
*164W	NOV 01/02	01	*168I	NOV 01/02	01
*164X	NOV 01/02	01	*168J	NOV 01/02	01
*164Y	NOV 01/02	01	*168K	NOV 01/02	01
*164Z	NOV 01/02	01	*168L	NOV 01/02	01
*165	NOV 01/02	01	*168M	NOV 01/02	01
*166	NOV 01/02	01	*168N	NOV 01/02	01
*166A	NOV 01/02	01	*168O	NOV 01/02	01
*166B	NOV 01/02	01	*168P	NOV 01/02	01
*166C	NOV 01/02	01	*168Q	NOV 01/02	01
*166D	NOV 01/02	01	*168R	NOV 01/02	01
*166E	NOV 01/02	01	*168S	NOV 01/02	01
*166F	NOV 01/02	01	*168T	NOV 01/02	01
*166G	NOV 01/02	01	*168U	NOV 01/02	01
*166H	NOV 01/02	01	*168V	NOV 01/02	01
*166I	NOV 01/02	01	*168W	NOV 01/02	01
*166J	NOV 01/02	01	*168X	NOV 01/02	01
*166K	NOV 01/02	01	*168Y	NOV 01/02	01
*166L	NOV 01/02	01	*168Z	NOV 01/02	01
*166M	NOV 01/02	01	*169	NOV 01/02	01
*166N	NOV 01/02	01	*170	NOV 01/02	01
*166O	NOV 01/02	01	*170A	NOV 01/02	01
*166P	NOV 01/02	01	*170B	NOV 01/02	01
*166Q	NOV 01/02	01	*170C	NOV 01/02	01
*166R	NOV 01/02	01	*170D	NOV 01/02	01
*166S	NOV 01/02	01	*170E	NOV 01/02	01
*166T	NOV 01/02	01	*170F	NOV 01/02	01
*166U	NOV 01/02	01	*170G	NOV 01/02	01
*166V	NOV 01/02	01	*170H	NOV 01/02	01
*166W	NOV 01/02	01	*170I	NOV 01/02	01
*166X	NOV 01/02	01	*170J	NOV 01/02	01
*166Y	NOV 01/02	01	*170K	NOV 01/02	01

* = REVISED, ADDED OR DELETED

25-71-02

EFFECTIVE PAGES

CONTINUED Page 11

01 Nov 01/02

PAGE	DATE	CODE	PAGE	DATE	CODE
TESTING & TROUBLE SHOOTING		CONT.	TESTING & TROUBLE SHOOTING		CONT.
*170L	NOV 01/02	01	*172Z	NOV 01/02	01
*170M	NOV 01/02	01	*173	NOV 01/02	01
*170N	NOV 01/02	01	*174	NOV 01/02	01
*170O	NOV 01/02	01	*174A	NOV 01/02	01
*170P	NOV 01/02	01	*174B	NOV 01/02	01
*170Q	NOV 01/02	01	*174C	NOV 01/02	01
*170R	NOV 01/02	01	*174D	NOV 01/02	01
*170S	NOV 01/02	01	*174E	NOV 01/02	01
*170T	NOV 01/02	01	*174F	NOV 01/02	01
*170U	NOV 01/02	01	*174G	NOV 01/02	01
*170V	NOV 01/02	01	*174H	NOV 01/02	01
*170W	NOV 01/02	01	*174I	NOV 01/02	01
*170X	NOV 01/02	01	*174J	NOV 01/02	01
*170Y	NOV 01/02	01	*174K	NOV 01/02	01
*170Z	NOV 01/02	01	*174L	NOV 01/02	01
*171	NOV 01/02	01	*174M	NOV 01/02	01
*172	NOV 01/02	01	*174N	NOV 01/02	01
*172A	NOV 01/02	01	*174O	NOV 01/02	01
*172B	NOV 01/02	01	*174P	NOV 01/02	01
*172C	NOV 01/02	01	*174Q	NOV 01/02	01
*172D	NOV 01/02	01	*174R	NOV 01/02	01
*172E	NOV 01/02	01	*174S	NOV 01/02	01
*172F	NOV 01/02	01	*174T	NOV 01/02	01
*172G	NOV 01/02	01	*174U	NOV 01/02	01
*172H	NOV 01/02	01	*174V	NOV 01/02	01
*172I	NOV 01/02	01	*174W	NOV 01/02	01
*172J	NOV 01/02	01	*174X	NOV 01/02	01
*172K	NOV 01/02	01	*174Y	NOV 01/02	01
*172L	NOV 01/02	01	*174Z	NOV 01/02	01
*172M	NOV 01/02	01	*175	NOV 01/02	01
*172N	NOV 01/02	01	*176	NOV 01/02	01
*172O	NOV 01/02	01	*176A	NOV 01/02	01
*172P	NOV 01/02	01	*176B	NOV 01/02	01
*172Q	NOV 01/02	01	*176C	NOV 01/02	01
*172R	NOV 01/02	01	*176D	NOV 01/02	01
*172S	NOV 01/02	01	*176E	NOV 01/02	01
*172T	NOV 01/02	01	*176F	NOV 01/02	01
*172U	NOV 01/02	01	*176G	NOV 01/02	01
*172V	NOV 01/02	01	*176H	NOV 01/02	01
*172W	NOV 01/02	01	*176I	NOV 01/02	01
*172X	NOV 01/02	01	*176J	NOV 01/02	01
*172Y	NOV 01/02	01	*176K	NOV 01/02	01

* = REVISED, ADDED OR DELETED

25-71-02

EFFECTIVE PAGES
CONTINUED Page 12
01 Nov 01/02


BOEING
 COMPONENT
 MAINTENANCE MANUAL

PAGE	DATE	CODE	PAGE	DATE	CODE
TESTING & TROUBLE SHOOTING		CONT.	TESTING & TROUBLE SHOOTING		CONT.
*176L	NOV 01/02	01	*178Z	NOV 01/02	01
*176M	NOV 01/02	01	*179	NOV 01/02	01
*176N	NOV 01/02	01	*180	NOV 01/02	01
*176O	NOV 01/02	01	*180A	NOV 01/02	01
*176P	NOV 01/02	01	*180B	NOV 01/02	01
*176Q	NOV 01/02	01	*180C	NOV 01/02	01
*176R	NOV 01/02	01	*180D	NOV 01/02	01
*176S	NOV 01/02	01	*180E	NOV 01/02	01
*176T	NOV 01/02	01	*180F	NOV 01/02	01
*176U	NOV 01/02	01	*180G	NOV 01/02	01
*176V	NOV 01/02	01	*180H	NOV 01/02	01
*176W	NOV 01/02	01	*180I	NOV 01/02	01
*176X	NOV 01/02	01	*180J	NOV 01/02	01
*176Y	NOV 01/02	01	*180K	NOV 01/02	01
*176Z	NOV 01/02	01	*180L	NOV 01/02	01
*177	NOV 01/02	01	*180M	NOV 01/02	01
*178	NOV 01/02	01	*180N	NOV 01/02	01
*178A	NOV 01/02	01	*180O	NOV 01/02	01
*178B	NOV 01/02	01	*180P	NOV 01/02	01
*178C	NOV 01/02	01	*180Q	NOV 01/02	01
*178D	NOV 01/02	01	*180R	NOV 01/02	01
*178E	NOV 01/02	01	*180S	NOV 01/02	01
*178F	NOV 01/02	01	*180T	NOV 01/02	01
*178G	NOV 01/02	01	*180U	NOV 01/02	01
*178H	NOV 01/02	01	*180V	NOV 01/02	01
*178I	NOV 01/02	01	*180W	NOV 01/02	01
*178J	NOV 01/02	01	*180X	NOV 01/02	01
*178K	NOV 01/02	01	*180Y	NOV 01/02	01
*178L	NOV 01/02	01	*180Z	NOV 01/02	01
*178M	NOV 01/02	01	*181	NOV 01/02	01
*178N	NOV 01/02	01	*182	NOV 01/02	01
*178O	NOV 01/02	01	*182A	NOV 01/02	01
*178P	NOV 01/02	01	*182B	NOV 01/02	01
*178Q	NOV 01/02	01	*182C	NOV 01/02	01
*178R	NOV 01/02	01	*182D	NOV 01/02	01
*178S	NOV 01/02	01	*182E	NOV 01/02	01
*178T	NOV 01/02	01	*182F	NOV 01/02	01
*178U	NOV 01/02	01	*182G	NOV 01/02	01
*178V	NOV 01/02	01	*182H	NOV 01/02	01
*178W	NOV 01/02	01	*182I	NOV 01/02	01
*178X	NOV 01/02	01	*182J	NOV 01/02	01
*178Y	NOV 01/02	01	*182K	NOV 01/02	01

* = REVISED, ADDED OR DELETED

25-71-02EFFECTIVE PAGES
CONTINUED Page 13
01 Nov 01/02

PAGE	DATE	CODE	PAGE	DATE	CODE
TESTING & TROUBLE SHOOTING		CONT.	TESTING & TROUBLE SHOOTING		CONT.
*182L	NOV 01/02	01	*184Z	NOV 01/02	01
*182M	NOV 01/02	01	*185	NOV 01/02	01
*182N	NOV 01/02	01	*186	NOV 01/02	01
*182O	NOV 01/02	01	*186A	NOV 01/02	01
*182P	NOV 01/02	01	*186B	NOV 01/02	01
*182Q	NOV 01/02	01	*186C	NOV 01/02	01
*182R	NOV 01/02	01	*186D	NOV 01/02	01
*182S	NOV 01/02	01	*186E	NOV 01/02	01
*182T	NOV 01/02	01	*186F	NOV 01/02	01
*182U	NOV 01/02	01	*186G	NOV 01/02	01
*182V	NOV 01/02	01	*186H	NOV 01/02	01
*182W	NOV 01/02	01	*186I	NOV 01/02	01
*182X	NOV 01/02	01	*186J	NOV 01/02	01
*182Y	NOV 01/02	01	*186K	NOV 01/02	01
*182Z	NOV 01/02	01	*186L	NOV 01/02	01
*183	NOV 01/02	01	*186M	NOV 01/02	01
*184	NOV 01/02	01	*186N	NOV 01/02	01
*184A	NOV 01/02	01	*186O	NOV 01/02	01
*184B	NOV 01/02	01	*186P	NOV 01/02	01
*184C	NOV 01/02	01	*186Q	NOV 01/02	01
*184D	NOV 01/02	01	*186R	NOV 01/02	01
*184E	NOV 01/02	01	*186S	NOV 01/02	01
*184F	NOV 01/02	01	*186T	NOV 01/02	01
*184G	NOV 01/02	01	*186U	NOV 01/02	01
*184H	NOV 01/02	01	*186V	NOV 01/02	01
*184I	NOV 01/02	01	*186W	NOV 01/02	01
*184J	NOV 01/02	01	*186X	NOV 01/02	01
*184K	NOV 01/02	01	*186Y	NOV 01/02	01
*184L	NOV 01/02	01	*186Z	NOV 01/02	01
*184M	NOV 01/02	01	*187	NOV 01/02	01
*184N	NOV 01/02	01	*188	NOV 01/02	01
*184O	NOV 01/02	01	*188A	NOV 01/02	01
*184P	NOV 01/02	01	*188B	NOV 01/02	01
*184Q	NOV 01/02	01	*188C	NOV 01/02	01
*184R	NOV 01/02	01	*188D	NOV 01/02	01
*184S	NOV 01/02	01	*188E	NOV 01/02	01
*184T	NOV 01/02	01	*188F	NOV 01/02	01
*184U	NOV 01/02	01	*188G	NOV 01/02	01
*184V	NOV 01/02	01	*188H	NOV 01/02	01
*184W	NOV 01/02	01	*188I	NOV 01/02	01
*184X	NOV 01/02	01	*188J	NOV 01/02	01
*184Y	NOV 01/02	01	*188K	NOV 01/02	01

* = REVISED, ADDED OR DELETED

25-71-02

EFFECTIVE PAGES
CONTINUED Page 14
01 Nov 01/02


BOEING
 COMPONENT
 MAINTENANCE MANUAL

PAGE	DATE	CODE	PAGE	DATE	CODE
TESTING & TROUBLE SHOOTING		CONT.	TESTING & TROUBLE SHOOTING		CONT.
*188L	NOV 01/02	01	*190Z	NOV 01/02	01
*188M	NOV 01/02	01	*191	NOV 01/02	01
*188N	NOV 01/02	01	*192	NOV 01/02	01
*188O	NOV 01/02	01	*192A	NOV 01/02	01
*188P	NOV 01/02	01	*192B	NOV 01/02	01
*188Q	NOV 01/02	01	*192C	NOV 01/02	01
*188R	NOV 01/02	01	*192D	NOV 01/02	01
*188S	NOV 01/02	01	*192E	NOV 01/02	01
*188T	NOV 01/02	01	*192F	NOV 01/02	01
*188U	NOV 01/02	01	*192G	NOV 01/02	01
*188V	NOV 01/02	01	*192H	NOV 01/02	01
*188W	NOV 01/02	01	*192I	NOV 01/02	01
*188X	NOV 01/02	01	*192J	NOV 01/02	01
*188Y	NOV 01/02	01	*192K	NOV 01/02	01
*188Z	NOV 01/02	01	*192L	NOV 01/02	01
*189	NOV 01/02	01	*192M	NOV 01/02	01
*190	NOV 01/02	01	*192N	NOV 01/02	01
*190A	NOV 01/02	01	*192O	NOV 01/02	01
*190B	NOV 01/02	01	*192P	NOV 01/02	01
*190C	NOV 01/02	01	*192Q	NOV 01/02	01
*190D	NOV 01/02	01	*192R	NOV 01/02	01
*190E	NOV 01/02	01	*192S	NOV 01/02	01
*190F	NOV 01/02	01	*192T	NOV 01/02	01
*190G	NOV 01/02	01	*192U	NOV 01/02	01
*190H	NOV 01/02	01	*192V	NOV 01/02	01
*190I	NOV 01/02	01	*192W	NOV 01/02	01
*190J	NOV 01/02	01	*192X	NOV 01/02	01
*190K	NOV 01/02	01	*192Y	NOV 01/02	01
*190L	NOV 01/02	01	*192Z	NOV 01/02	01
*190M	NOV 01/02	01	*193	NOV 01/02	01
*190N	NOV 01/02	01	*194	NOV 01/02	01
*190O	NOV 01/02	01	*194A	NOV 01/02	01
*190P	NOV 01/02	01	*194B	NOV 01/02	01
*190Q	NOV 01/02	01	*194C	NOV 01/02	01
*190R	NOV 01/02	01	*194D	NOV 01/02	01
*190S	NOV 01/02	01	*194E	NOV 01/02	01
*190T	NOV 01/02	01	*194F	NOV 01/02	01
*190U	NOV 01/02	01	*194G	NOV 01/02	01
*190V	NOV 01/02	01	*194H	NOV 01/02	01
*190W	NOV 01/02	01	*194I	NOV 01/02	01
*190X	NOV 01/02	01	*194J	NOV 01/02	01
*190Y	NOV 01/02	01	*194K	NOV 01/02	01

* = REVISED, ADDED OR DELETED

25-71-02

EFFECTIVE PAGES

CONTINUED Page 15

01 Nov 01/02

PAGE	DATE	CODE	PAGE	DATE	CODE
TESTING & TROUBLE SHOOTING		CONT.	TESTING & TROUBLE SHOOTING		CONT.
*194L	NOV 01/02	01	*196Z	NOV 01/02	01
*194M	NOV 01/02	01	*197	NOV 01/02	01
*194N	NOV 01/02	01	*198	NOV 01/02	01
*194O	NOV 01/02	01	*198A	NOV 01/02	01
*194P	NOV 01/02	01	*198B	NOV 01/02	01
*194Q	NOV 01/02	01	*198C	NOV 01/02	01
*194R	NOV 01/02	01	*198D	NOV 01/02	01
*194S	NOV 01/02	01	*198E	NOV 01/02	01
*194T	NOV 01/02	01	*198F	NOV 01/02	01
*194U	NOV 01/02	01	*198G	NOV 01/02	01
*194V	NOV 01/02	01	*198H	NOV 01/02	01
*194W	NOV 01/02	01	*198I	NOV 01/02	01
*194X	NOV 01/02	01	*198J	NOV 01/02	01
*194Y	NOV 01/02	01	*198K	NOV 01/02	01
*194Z	NOV 01/02	01	*198L	NOV 01/02	01
*195	NOV 01/02	01	*198M	NOV 01/02	01
*196	NOV 01/02	01	*198N	NOV 01/02	01
*196A	NOV 01/02	01	*198O	NOV 01/02	01
*196B	NOV 01/02	01	*198P	NOV 01/02	01
*196C	NOV 01/02	01	*198Q	NOV 01/02	01
*196D	NOV 01/02	01	*198R	NOV 01/02	01
*196E	NOV 01/02	01	*198S	NOV 01/02	01
*196F	NOV 01/02	01	*198T	NOV 01/02	01
*196G	NOV 01/02	01	*198U	NOV 01/02	01
*196H	NOV 01/02	01	*198V	NOV 01/02	01
*196I	NOV 01/02	01	*198W	NOV 01/02	01
*196J	NOV 01/02	01	*198X	NOV 01/02	01
*196K	NOV 01/02	01	*198Y	NOV 01/02	01
*196L	NOV 01/02	01	*198Z	NOV 01/02	01
*196M	NOV 01/02	01	*199	NOV 01/02	01
*196N	NOV 01/02	01	*200	NOV 01/02	01
*196O	NOV 01/02	01	*200A	NOV 01/02	01
*196P	NOV 01/02	01	*200B	NOV 01/02	01
*196Q	NOV 01/02	01	*200C	NOV 01/02	01
*196R	NOV 01/02	01	*200D	NOV 01/02	01
*196S	NOV 01/02	01	*200E	NOV 01/02	01
*196T	NOV 01/02	01	*200F	NOV 01/02	01
*196U	NOV 01/02	01	*200G	NOV 01/02	01
*196V	NOV 01/02	01	*200H	NOV 01/02	01
*196W	NOV 01/02	01	*200I	NOV 01/02	01
*196X	NOV 01/02	01	*200J	NOV 01/02	01
*196Y	NOV 01/02	01	*200K	NOV 01/02	01

* = REVISED, ADDED OR DELETED

25-71-02

EFFECTIVE PAGES
CONTINUED Page 16
01 Nov 01/02


BOEING
 COMPONENT
 MAINTENANCE MANUAL

PAGE	DATE	CODE	PAGE	DATE	CODE
TESTING & TROUBLE SHOOTING		CONT.	TESTING & TROUBLE SHOOTING		CONT.
*200L	NOV 01/02	01	*202Z	NOV 01/02	01
*200M	NOV 01/02	01	*203	NOV 01/02	01
*200N	NOV 01/02	01	*204	NOV 01/02	01
*200O	NOV 01/02	01	*204A	NOV 01/02	01
*200P	NOV 01/02	01	*204B	NOV 01/02	01
*200Q	NOV 01/02	01	*204C	NOV 01/02	01
*200R	NOV 01/02	01	*204D	NOV 01/02	01
*200S	NOV 01/02	01	*204E	NOV 01/02	01
*200T	NOV 01/02	01	*204F	NOV 01/02	01
*200U	NOV 01/02	01	*204G	NOV 01/02	01
*200V	NOV 01/02	01	*204H	NOV 01/02	01
*200W	NOV 01/02	01	*204I	NOV 01/02	01
*200X	NOV 01/02	01	*204J	NOV 01/02	01
*200Y	NOV 01/02	01	*204K	NOV 01/02	01
*200Z	NOV 01/02	01	*204L	NOV 01/02	01
*201	NOV 01/02	01	*204M	NOV 01/02	01
*202	NOV 01/02	01	*204N	NOV 01/02	01
*202A	NOV 01/02	01	*204O	NOV 01/02	01
*202B	NOV 01/02	01	*204P	NOV 01/02	01
*202C	NOV 01/02	01	*204Q	NOV 01/02	01
*202D	NOV 01/02	01	*204R	NOV 01/02	01
*202E	NOV 01/02	01	*204S	NOV 01/02	01
*202F	NOV 01/02	01	*204T	NOV 01/02	01
*202G	NOV 01/02	01	*204U	NOV 01/02	01
*202H	NOV 01/02	01	*204V	NOV 01/02	01
*202I	NOV 01/02	01	*204W	NOV 01/02	01
*202J	NOV 01/02	01	*204X	NOV 01/02	01
*202K	NOV 01/02	01	*204Y	NOV 01/02	01
*202L	NOV 01/02	01	*204Z	NOV 01/02	01
*202M	NOV 01/02	01	*205	NOV 01/02	01
*202N	NOV 01/02	01	*206	NOV 01/02	01
*202O	NOV 01/02	01	*206A	NOV 01/02	01
*202P	NOV 01/02	01	*206B	NOV 01/02	01
*202Q	NOV 01/02	01	*206C	NOV 01/02	01
*202R	NOV 01/02	01	*206D	NOV 01/02	01
*202S	NOV 01/02	01	*206E	NOV 01/02	01
*202T	NOV 01/02	01	*206F	NOV 01/02	01
*202U	NOV 01/02	01	*206G	NOV 01/02	01
*202V	NOV 01/02	01	*206H	NOV 01/02	01
*202W	NOV 01/02	01	*206I	NOV 01/02	01
*202X	NOV 01/02	01	*206J	NOV 01/02	01
*202Y	NOV 01/02	01	*206K	NOV 01/02	01

* = REVISED, ADDED OR DELETED

25-71-02

EFFECTIVE PAGES

CONTINUED Page 17

01 Nov 01/02

PAGE	DATE	CODE	PAGE	DATE	CODE
TESTING & TROUBLE SHOOTING			TESTING & TROUBLE SHOOTING		
		CONT.			CONT.
*206L	NOV 01/02	01	*208Z	NOV 01/02	01
*206M	NOV 01/02	01	*209	NOV 01/02	01
*206N	NOV 01/02	01	*210	NOV 01/02	01
*206O	NOV 01/02	01	*210A	NOV 01/02	01
*206P	NOV 01/02	01	*210B	NOV 01/02	01
*206Q	NOV 01/02	01	*210C	NOV 01/02	01
*206R	NOV 01/02	01	*210D	NOV 01/02	01
*206S	NOV 01/02	01	*210E	NOV 01/02	01
*206T	NOV 01/02	01	*210F	NOV 01/02	01
*206U	NOV 01/02	01	*210G	NOV 01/02	01
*206V	NOV 01/02	01	*210H	NOV 01/02	01
*206W	NOV 01/02	01	*210I	NOV 01/02	01
*206X	NOV 01/02	01	*210J	NOV 01/02	01
*206Y	NOV 01/02	01	*210K	NOV 01/02	01
*206Z	NOV 01/02	01	*210L	NOV 01/02	01
*207	NOV 01/02	01	*210M	NOV 01/02	01
*208	NOV 01/02	01	*210N	NOV 01/02	01
*208A	NOV 01/02	01	*210O	NOV 01/02	01
*208B	NOV 01/02	01	*210P	NOV 01/02	01
*208C	NOV 01/02	01	*210Q	NOV 01/02	01
*208D	NOV 01/02	01	*210R	NOV 01/02	01
*208E	NOV 01/02	01	*210S	NOV 01/02	01
*208F	NOV 01/02	01	*210T	NOV 01/02	01
*208G	NOV 01/02	01	*210U	NOV 01/02	01
*208H	NOV 01/02	01	*210V	BLANK	
*208I	NOV 01/02	01			
*208J	NOV 01/02	01	REPAIR-GENERAL		
*208K	NOV 01/02	01	*601	NOV 01/02	01
*208L	NOV 01/02	01	*602	NOV 01/02	01
*208M	NOV 01/02	01			
*208N	NOV 01/02	01	ILLUSTRATED PARTS LIST		
*208O	NOV 01/02	01	*1001	NOV 01/02	01
*208P	NOV 01/02	01	*1002	NOV 01/02	01
*208Q	NOV 01/02	01	*1003	NOV 01/02	01
*208R	NOV 01/02	01	*1004	NOV 01/02	01
*208S	NOV 01/02	01	*1005	NOV 01/02	01
*208T	NOV 01/02	01	*1006	NOV 01/02	01
*208U	NOV 01/02	01	*1007	NOV 01/02	01
*208V	NOV 01/02	01	*1008	NOV 01/02	01
*208W	NOV 01/02	01	*1009	NOV 01/02	01
*208X	NOV 01/02	01	*1010	NOV 01/02	01
*208Y	NOV 01/02	01	*1011	NOV 01/02	01

* = REVISED, ADDED OR DELETED

25-71-02

EFFECTIVE PAGES
CONTINUED Page 18
01 Nov 01/02


BOEING
 COMPONENT
 MAINTENANCE MANUAL

PAGE	DATE	CODE	PAGE	DATE	CODE
ILLUSTRATED PARTS LIST		CONT.	ILLUSTRATED PARTS LIST		CONT.
*1012	NOV 01/02	01	*1054	NOV 01/02	01
*1013	NOV 01/02	01	*1055	NOV 01/02	01
*1014	NOV 01/02	01	*1056	NOV 01/02	01
*1015	NOV 01/02	01	*1057	NOV 01/02	01
*1016	NOV 01/02	01	*1058	NOV 01/02	01
*1017	NOV 01/02	01	*1059	NOV 01/02	01
*1018	NOV 01/02	01	*1060	NOV 01/02	01
*1019	NOV 01/02	01	*1061	NOV 01/02	01
*1020	NOV 01/02	01	*1062	NOV 01/02	01
*1021	NOV 01/02	01	*1063	NOV 01/02	01
*1022	NOV 01/02	01	*1064	NOV 01/02	01
*1023	NOV 01/02	01	*1065	NOV 01/02	01
*1024	NOV 01/02	01	*1066	NOV 01/02	01
*1025	NOV 01/02	01	*1067	NOV 01/02	01
*1026	NOV 01/02	01	*1068	NOV 01/02	01
*1027	NOV 01/02	01	*1069	NOV 01/02	01
*1028	BLANK		*1070	NOV 01/02	01
*1029	NOV 01/02	01	*1071	NOV 01/02	01
*1030	NOV 01/02	01	*1072	NOV 01/02	01
*1031	NOV 01/02	01	*1073	NOV 01/02	01
*1032	NOV 01/02	01	*1074	BLANK	
*1033	NOV 01/02	01	*1075	NOV 01/02	01
*1034	NOV 01/02	01	*1076	NOV 01/02	01
*1035	NOV 01/02	01	*1077	NOV 01/02	01
*1036	NOV 01/02	01	*1078	NOV 01/02	01
*1037	NOV 01/02	01	*1079	NOV 01/02	01
*1038	NOV 01/02	01	*1080	NOV 01/02	01
*1039	NOV 01/02	01	*1080A	NOV 01/02	01
*1040	NOV 01/02	01	*1080B	NOV 01/02	01
*1041	NOV 01/02	01	*1080C	NOV 01/02	01
*1042	NOV 01/02	01	*1080D	NOV 01/02	01
*1043	NOV 01/02	01	*1080E	NOV 01/02	01
*1044	NOV 01/02	01	*1080F	NOV 01/02	01
*1045	NOV 01/02	01	*1080G	NOV 01/02	01
*1046	NOV 01/02	01	*1080H	NOV 01/02	01
*1047	NOV 01/02	01	*1080I	NOV 01/02	01
*1048	NOV 01/02	01	*1080J	NOV 01/02	01
*1049	NOV 01/02	01	*1080K	NOV 01/02	01
*1050	NOV 01/02	01	*1080L	NOV 01/02	01
*1051	NOV 01/02	01	*1080M	NOV 01/02	01
*1052	NOV 01/02	01	*1080N	NOV 01/02	01
*1053	NOV 01/02	01	*1080O	NOV 01/02	01

* = REVISED, ADDED OR DELETED

25-71-02EFFECTIVE PAGES
CONTINUED Page 19
01 Nov 01/02

PAGE	DATE	CODE	PAGE	DATE	CODE
ILLUSTRATED	PARTS LIST	CONT.			
*1080P	NOV 01/02	01			
*1080Q	NOV 01/02	01			
*1080R	NOV 01/02	01			
*1080S	NOV 01/02	01			
*1080T	NOV 01/02	01			
*1080U	NOV 01/02	01			
*1080V	NOV 01/02	01			
*1080W	NOV 01/02	01			
*1080X	NOV 01/02	01			
*1080Y	NOV 01/02	01			
*1080Z	NOV 01/02	01			
*1081	NOV 01/02	01			
*1082	NOV 01/02	01			
*1082A	NOV 01/02	01			
*1082B	NOV 01/02	01			
*1082C	NOV 01/02	01			
*1082D	NOV 01/02	01			
*1082E	NOV 01/02	01			
*1082F	NOV 01/02	01			
*1082G	NOV 01/02	01			
*1082H	NOV 01/02	01			
*1082I	NOV 01/02	01			
*1082J	NOV 01/02	01			
*1082K	NOV 01/02	01			
*1082L	NOV 01/02	01			
*1082M	NOV 01/02	01			
*1082N	NOV 01/02	01			
*1082O	NOV 01/02	01			
*1082P	NOV 01/02	01			
*1082Q	NOV 01/02	01			
*1082R	NOV 01/02	01			
*1082S	NOV 01/02	01			
*1082T	NOV 01/02	01			

* = REVISED, ADDED OR DELETED

25-71-02

EFFECTIVE PAGES
 LAST PAGE Page 20
 01 Nov 01/02



TABLE OF CONTENTS

<u>Paragraph Title</u>	<u>Page</u>
Description and Operation	1
Testing and Trouble Shooting.	101
Testing and Trouble Shooting (Continued).	201
Disassembly*[1]	
Cleaning.*[1]	
Check*[1]	
Repair.	601
Assembly.*[1]	
Fits and Clearances (not applicable)	
Special Tools*[2]	
Illustrated Parts List.	1001

*[1] Use applicable procedures in 20-11-04 and standard industry practices.
*[2] Special instructions not required.



INTRODUCTION

The instructions in this manual provide the information necessary to perform maintenance functions including test, fault isolation, and replacement of defective components.

This manual is divided into separate sections:

- | | |
|--|------------------------------|
| 1. Title Page | 4. List of Effective Pages |
| 2. Record of Revisions | 5. Table of Contents |
| 3. Temporary Revision &
Service Bulletin Record | 6. Introduction |
| | 7. Procedures & IPL Sections |

Refer to the Table of Contents for the page location of applicable sections.

An explanation of the use of the Illustrated Parts List is provided in the Introduction to that section.

All weights and measurements used in the manual are in English units, unless otherwise stated. When metric equivalents are given they will be in parentheses following the English units.

Design changes, optional parts, configuration differences and Service Bulletin modifications create alternate part numbers. These are identified in the Illustrated Parts List (IPL) by adding an alphabetical character to the basic item number. The resulting item number is called an alpha-variant. Throughout the manual, IPL basic item number references also apply to alpha-variants unless otherwise indicated.

Verification:

Testing/TS

25-71-02

INTRODUCTION

01

Page 1

Nov 01/02



WARNING ELECTRONICS UNIT CHASSIS ASSEMBLY

DESCRIPTION AND OPERATION

1. Description

- A. The warning electronics unit chassis assembly provides wiring between card connectors and to the airplane wire bundles.
- B. See Table 1 for wire bundle index.
- C. See Table 2 for equipment index.

25-71-02

DESCRIPTION & OPERATION

01

Page 1

Nov 01/02

P/N 285T0007 DASH NUMBER	AIRPLANE	W/B 286T0045 DASH NUMBER
14	VA002-VA011 VA301-VA303 VA501-VA502 VA701-VA701 VA801-VA801 VB001-VB001	101
15	VA012-VA020 VA304-VA310 VA503-VA506 VA702-VA705 VA802-VA805 VA807-VA809 VB002-VB002 VB051-VB054 VB101-VB105 VB201-VB202 VB251-VB253 VB281-VB282	101
19	VA806-VA806	101
22	VA001-VA001 VA311-VA315 VA507-VA519 VA706-VA712 VA810-VA810 VB055-VB055 VB106-VB123 VB283-VB284 VB301-VB302 VB371-VB373 VB401-VB401 VE001-VE002 VE021-VE023 VE041-VE043 VE101-VE103	
23	VB321-VB324	101
27	VE061-VE068 VE116-VE117	
30	VA021-VA299 VA316-VA499 VA520-VA530 VA713-VA719 VA811-VA999 VB003-VB050 VB056-VB100 VB124-VB200 VB203-VB250 VB254-VB280 VB303-VB320 VB374-VB400 VE003-VE003 VE024-VE040 VE104-VE104 VE121-VE126 VE141-VE146 VF001-VF002 VF011-VF020 VF041-VF042 VK001-VK011 VK021-VK022 VK031-VK045 VK081-VK089 VL001-VL006 VL011-VL011 VN001-VN015 VN051-VN054	
31	VB325-VB328	101
32	VE069-VE069 VE083-VE085 VN081-VN085	101

Wire Bundle Index
Table 1 (Sheet 1)

25-71-02

DESCRIPTION & OPERATION

01

Page 2

Nov 01/02

P/N 285T0007 DASH NUMBER	AIRPLANE	W/B 286T0045 DASH NUMBER
35	VA021-VA299 VA316-VA499 VA520-VA699 VA713-VA799 VA811-VA999 VB003-VB050 VB056-VB100 VB124-VB200 VB203-VB250 VB254-VB280 VB285-VB300 VB303-VB320 VB325-VB370 VB374-VB400 VB402-VB999 VE003-VE020 VE024-VE040 VE044-VE060 VE069-VE100 VE104-VE115 VE118-VL040 VL101-VN340 VN371-VN999 VW851-VW999 VW701-VW770	101 701
40	VE147-VE149 VE171-VE172 VF051-VF051 VF061-VF062 VF071-VF072 VF091-VF093 VK046-VK046 VK090-VK097 VK131-VK133 VK141-VK142 VL012-VL040 VN055-VN060 VN171-VN173 VN191-VN192 VN211-VN212 VN221-VN222 VN231-VN234 VN241-VN241 VN251-VN256 VN291-VN291 VN301-VN303	101
43	VE086-VE086	101
45	VN151-VN158 VN163-VN168	101
46	VN111-VN117 VN531-VN535	101
47	VB329-VB330 VF101-VF102	101
48	VN118-VN127 VN130-VN136	101
50	VN086-VN086	101
51	VB411-VB440 VB451-VB999 VE181-VE999 VF021-VF040 VF111-VF160 VF191-VF250 VF261-VJ999	101

Wire Bundle Index
 Table 1 (Sheet 2)

25-71-02

P/N 285T0007 DASH NUMBER	AIRPLANE	W/B 286T0045 DASH NUMBER
52	VA531-VA699 VA720-VA799 VB285-VB300 VB402-VB410 VE004-VE020 VE044-VE060 VE105-VE115 VE127-VE140 VE150-VE152 VF003-VF010 VF043-VF050 VF052-VF060 VK047-VK056 VK098-VK112 VK134-VK140 VK143-VK144 VK171-VK171 VL007-VL010 VN016-VN041 VN061-VN064 VN193-VN196 VN223-VN225 VN242-VN243 VN257-VN267 VN292-VN292 VN304-VN314 VN491-VN513 VN651-VN656 VN671-VN675 VN731-VN732 VN751-VN753 VN791-VN792 VN811-VN813 VN931-VN936 VN961-VN965 VN971-VN972	101
53	VB331-VB370 VN371-VN375 VN381-VN382 VN471-VN472 VN681-VN691 VN921-VN922 VN951-VN952	101
54	VE118-VE118 VN087-VN092	101
56	VN174-VN174 VN631-VN638	101
57	VF171-VF172 VN536-VN537 VN541-VN542 VN551-VN551 VN556-VN557 VN561-VN561	101
58	VF063-VF070 VF094-VF100 VF161-VF162 VL871-VL872 VN096-VN097	101
59	VF103-VF110	101
61	VN376-VN376	101
63	VE070-VE082 VE087-VE100 VK161-VK164 VN093-VN095	101
64	VN383-VN388 VN421-VN427	101
66	VN546-VN547	101
67	VL911-VL913 VN562-VN562	101

Wire Bundle Index
Table 1 (Sheet 3)

25-71-02

DESCRIPTION & OPERATION

01

Page 4

Nov 01/02

P/N 285T0007 DASH NUMBER	AIRPLANE	W/B 286T0045 DASH NUMBER
73	VF173-VF179 VL898-VL910 VL914-VL930 VN175-VN190 VN389-VN420 VN428-VN470 VN473-VN490 VN538-VN540 VN543-VN545 VN552-VN555 VN558-VN560 VN563-VN630 VN639-VN650 VN692-VN730 VN923-VN930 VN953-VN960	101
74	VN639-VN650 VN692-VN730 VN923-VN930 VN953-VN960	101
200	VR201-VR201 VR202-VR209 VR251-VR251 VR401-VR401 VR421-VR421 VR426-VR427 VR461-VR461 VR471-VR471 VS051-VS052 VR472-VR472 VS053-VS053 VS054-VS054 VS061-VS061 VS066-VS070 VS073-VS073 VS091-VS094 VS074-VS074 VS075-VS078 VS095-VS096 VS111-VS111 VS131-VS132 VS176-VS177 VS186-VS187 VS196-VS199 VS206-VS207 VS133-VS133 VS136-VS136 VS201-VS203 VS211-VS211 VS216-VS216 VS246-VS248 VS261-VS262 VS266-VS268 VS269-VS269 VS271-VS272 VS301-VS301 VS306-VS306 VS316-VS316 VS366-VS367 VS401-VS401	701 OAZ 701 101 OAB OAK OBF 101 OAB OBG OAD 101 OAG OAH OBD OAA OBE 101 OAB OBH OBB OBC OBN OBK

Wire Bundle Index
Table 1 (Sheet 5)

25-71-02

DESCRIPTION & OPERATION

01

Page 6

Nov 01/02


BOEING
 COMPONENT
 MAINTENANCE MANUAL

P/N 285T0007 DASH NUMBER	AIRPLANE	W/B 286T0045 DASH NUMBER
201	VR001-VR004	0AZ
	VR051-VR080	200
	VR081-VR085	324
	VR208-VR209	0AZ
	VR210-VR250	328
	VR256-VR256	0BY
	VR257-VR264	310
	VR422-VR422	0AP
	VR423-VR425	312
	VR441-VR441	0AR
	VR473-VR475	320
	VS057-VS060	327
	VS079-VS085	314
	VS086-VS090	0AC
	VS095-VS101	0AD
	VS102-VS110	309
	VS112-VS115	302
	VS137-VS145	301
	VS204-VS205	315
	VS209-VS210	322
	VS217-VS225	304
	VS231-VS240	317
	VS249-VS250	0AL
	VS263-VS265	329
	VS274-VS280	309
	VS270-VS273 VS281-VS290	0BH
	VS291-VS300	305
	VS302-VS302	0BB
	VS303-VS305	308
	VS307-VS315	300
	VS321-VS324	0BN
	VS331-VS335	319

Wire Bundle Index
 Table 1 (Sheet 6)

25-71-02

DESCRIPTION & OPERATION

01

Page 7

Nov 01/02

P/N 285T0007 DASH NUMBER	AIRPLANE	W/B 286T0045 DASH NUMBER
201 (Cont)	VS336-VS340 VS381-VS382 VS391-VS392 VS393-VS400 VS426-VS435 VS466-VS470 VS471-VS485 VS486-VS495 VS496-VS505 VS506-VS515 VS526-VS545 VS561-VS570 VS701-VS720 VS721-VS740 VS821-VS860 VT501-VT510 VS751-VS800	325 OBT OBX 325 308 OBG 314 306 303 307 311 300 330 331 308 310 308
202	VQ001-VQ001	OCB

 Wire Bundle Index
 Table 1 (Sheet 7)

25-71-02

DESCRIPTION & OPERATION

01

Page 8

Nov 01/02


BOEING
 COMPONENT
 MAINTENANCE MANUAL

P/N 286T0045 DASH NUMBER	EQUIPMENT P/N	REFERENCE DESIGNATOR	AIRPLANE
101	DDMAF78S	D00811	
	DDMAF78S	D00813	
	BACC65L66	D00815	
	BACC47EM1	D00815U	
	BACC65L66	D00817	
	BACC47EM1	D00817U	
	BACC65L66	D00819	
	BACC47EM1	D00819U	
	BACC65L66	D00821	
	BACC47EM1	D00821U	
	BACC65L66	D00823	
	BACC47EM1	D00823U	
	BACC65L66	D00907	VE061-VE100, VE116-VE120, VK161-VK170, VN081-VN095, VN111-VN150, VN376-VN380, VN531-VN630, VN821-VN920, VS246-VS248

Equipment Index
 Table 2 (Sheet 1)

25-71-02

DESCRIPTION & OPERATION

01

Page 9

Nov 01/02

P/N 286T0045 DASH NUMBER	EQUIPMENT P/N	REFERENCE DESIGNATOR	AIRPLANE
101 (Cont)	BACC47EM1	D00907U	VE061-VE100, VE116-VE120, VK161-VK170, VN081-VN095, VN111-VN150, VN376-VN380, VN531-VN630, VN821-VN920, VS246-VS248
	BACC65L66	D01381	
	BACC47EM1	D01381U	
	BACC65L66	D01433	
	BACC47EM1	D01433U	
	BACC65L66	D01487	
	BACC47EM1	D01487U	
	BACC65L66	D01489	
	BACC47EM1	D01489U	
	S0-1064-007 (V35344)	D01503	ALL Except VA006-VA012, VA302-VA306, VA501-VA503, VA701-VA702, VA801-VA802, VA805-VA805, VB001-VB001
	S0-1064-001 (V35344)	D01503	VA006-VA012, VA302-VA306, VA501-VA503, VA701-VA702, VA801-VA802, VA805-VA805, VB001-VB001

Equipment Index
Table 2 (Sheet 2)

25-71-02

DESCRIPTION & OPERATION

01

Page 10

Nov 01/02


BOEING
 COMPONENT
 MAINTENANCE MANUAL

P/N 286T0045 DASH NUMBER	EQUIPMENT P/N	REFERENCE DESIGNATOR	AIRPLANE
101 (Cont)	S0-1064-007 (V35344)	D01505	ALL Except VA006-VA012, VA302-VA306, VA501-VA503, VA701-VA702, VA801-VA802, VA805-VA805, VB001-VB001
	S0-1064-001 (V35344)	D01505	VA006-VA012, VA302-VA306, VA501-VA503, VA701-VA702, VA801-VA802, VA805-VA805, VB001-VB001
	BACC65L66	D01739	
	BACC47EM1	D01739U	
	BACC65L66	D01741	VB321-VB370, VF011-VF011, VF101-VF110, VF171-VF180, VL891-VL930, VN111-VN150, VN171-VN190, VN371-VN387, VN388-VN490, VN531-VN650, VN681-VN730, VN821-VN930, VN951-VN960, VS051-VS052, VS176-VS176, VS246-VS248
	BACC47EM1	D01741U	VB321-VB370, VB441-VB441, VF011-VF011, VF101-VF110, VL891-VL930, VN111-VN150, VN171-VN190, VN371-VN490, VN531-VN650, VN681-VN730, VN821-VN930, VN951-VN960, VS051-VS052, VS176-VS177, VS246-VS248

Equipment Index
 Table 2 (Sheet 3)

25-71-02

DESCRIPTION & OPERATION

01

Page 11

Nov 01/02

P/N 286T0045 DASH NUMBER	EQUIPMENT P/N	REFERENCE DESIGNATOR	AIRPLANE
101 (Cont)	BACC65L66	D02261	VA531-VA700,VA720-VA800, VB285-VB300,VB329-VB370, VB402-VB410,VB421-VD999, VE004-VE020,VE044-VE060, VE070-VE082,VE086-VE100, VE105-VE115,VE118-VE120, VE127-VE140,VE147-VE180, VF003-VF010,VF021-VF040, VF043-VF110,VF161-VF180, VF251-VF260,VK012-VK020, VK023-VK030,VK046-VK080, VK090-VK190,VL007-VL010, VL012-VL040,VL701-VL790, VL796-VL810,VL871-VL880, VL891-VL945,VM999-VM999, VN016-VN050,VN055-VN080, VN086-VN340,VN371-VN960, VN966-VN990,VR401-VR401, VR421-VR421,VR426-VR427, VR461-VR461,VR471-VR471, VS051-VS052,VS061-VS061, VS066-VS070,VS073-VS073, VS091-VS094,VS111-VS111, VS131-VS132,VS176-VS177, VS186-VS187,VS196-VS199, VS206-VS207,VS246-VS248, VS261-VS262,VS266-VS268

Equipment Index
 Table 2 (Sheet 4)

25-71-02

DESCRIPTION & OPERATION

01

Page 12

Nov 01/02


BOEING
 COMPONENT
 MAINTENANCE MANUAL

P/N 286T0045 DASH NUMBER	EQUIPMENT P/N	REFERENCE DESIGNATOR	AIRPLANE
101 (Cont)	BACC47EM1	D02261U	VR401-VR401, VR421-VR421, VR426-VR427, VR461-VR461, VR471-VR471, VS051-VS052, VS061-VS061, VS066-VS070, VS073-VS073, VS091-VS094, VS111-VS111, VS131-VS132, VS176-VS177, VS186-VS187, VS196-VS199, VS206-VS207, VS246-VS248, VS261-VS262, VS266-VS268
	BACC45FN12-12P7	D04301J	VA001-VB410, VB421-VB444, VE001-VE060, VE101-VE115, VE121-VE152, VF001-VF011, VF021-VF060, VF171-VF172, VF180-VF180, VK001-VK015, VK021-VK022, VK031-VK056, VK081-VK112, VK131-VK144, VK171-VK171, VL001-VL040, VL701-VL703, VL741-VL755, VL891-VL897, VL931-VL931, VN001-VN041, VN051-VN064, VN171-VN173, VN191-VN196, VN211-VN212, VN221-VN225, VN231-VN234, VN241-VN243, VN251-VN267, VN291-VN292, VN301-VN314, VN371-VN372, VN381-VN388, VN421-VN427, VN471-VN472, VN491-VN513, VN631-VN638, VN651-VN656, VN671-VN676, VN681-VN691, VN731-VN732, VN751-VN753, VN791-VN792, VN811-VN813, VN921-VN922, VN931-VN936, VN951-VN952, VN966-VN967, VN971-VN972

Equipment Index
Table 2 (Sheet 5)

25-71-02

DESCRIPTION & OPERATION

01

Page 13

Nov 01/02

P/N 286T0045 DASH NUMBER	EQUIPMENT P/N	REFERENCE DESIGNATOR	AIRPLANE
101 (Cont)	BACC45FN16-24P7	D04301J	VB445-VD999, VE061-VE100, VE116-VE120, VE153-VE180, VF061-VF110, VF161-VF170, VF173-VF179, VF251-VF260, VK016-VK020, VK023-VK030, VK057-VK080, VK113-VK130, VK145-VK170, VK172-VK190, VL704-VL740, VL756-VL790, VL796-VL810, VL871-VL880, VL898-VL930, VL932-VL945, VM999-VM999, VN042-VN050, VN065-VN170, VN174-VN190, VN197-VN210, VN213-VN220, VN226-VN230, VN235-VN240, VN244-VN250, VN268-VN290, VN293-VN300, VN315-VN340, VN373-VN380, VN389-VN420, VN428-VN470, VN473-VN490, VN514-VN630, VN639-VN650, VN657-VN670, VN677-VN680, VN692-VN730, VN733-VN750, VN754-VN790, VN793-VN810, VN814-VN920, VN923-VN930, VN937-VN950, VN953-VN960, VN968-VN970, VN973-VN990, VR401-VR401, VR421-VR421, VR426-VR427, VR461-VR461, VR471-VR471, VS051-VS052, VS061-VS061, VS066-VS070, VS073-VS073, VS091-VS094, VS111-VS111, VS131-VS132, VS176-VS177, VS186-VS187, VS196-VS199, VS206-VS207, VS246-VS248, VS261-VS262, VS266-VS268

Equipment Index
 Table 2 (Sheet 6)

25-71-02

DESCRIPTION & OPERATION

01

Page 14

Nov 01/02


BOEING
 COMPONENT
 MAINTENANCE MANUAL

P/N 286T0045 DASH NUMBER	EQUIPMENT P/N	REFERENCE DESIGNATOR	AIRPLANE
101 (Cont)	BACC45FN12-12P8	D04303J	
	BACC45FN22-55P	D04347J	VA001-VA001, VA701-VA712, VB001-VB002, VB051-VB055, VB201-VB202, VB251-VB253, VB281-VB284, VB321-VB324, VB401-VB401, VE001-VE002, VE041-VE043, VE061-VE068, VE116-VE117
	BACC45FN24-61P	D04347J	ALL Except VA001-VA001, VA701-VA712, VB001-VB002, VB051-VB055, VB201-VB202, VB251-VB253, VB281-VB284, VB321-VB324, VB401-VB401, VE001-VE002, VE041-VE043, VE061-VE068, VE116-VE117
	BACC45FN22-55P6	D04349J	VA001-VA001, VA701-VA712, VB001-VB002, VB051-VB055, VB201-VB202, VB251-VB253, VB281-VB284, VB321-VB324, VB401-VB401, VE001-VE002, VE041-VE043, VE061-VE068, VE116-VE117
	BACC45FN24-61P6	D04349J	ALL Except VA001-VA001, VA701-VA712, VB001-VB002, VB051-VB055, VB201-VB202, VB251-VB253, VB281-VB284, VB321-VB324, VB401-VB401, VE001-VE002, VE041-VE043, VE061-VE068, VE116-VE117

Equipment Index
Table 2 (Sheet 7)

25-71-02

DESCRIPTION & OPERATION

01

Page 15

Nov 01/02

P/N 286T0045 DASH NUMBER	EQUIPMENT P/N	REFERENCE DESIGNATOR	AIRPLANE
101 (Cont)	BACC45FN12-12P9	D04507J	
	BACC45FN14-15P	D04509J	
	BACC45FN18-31P6	D04511J	
	BACC45FN14-15P7	D04597J	
	M24308/2-4F (V96906)	D11553	VA002-VA300, VA316-VA700, VA713-VA999, VB003-VB050, VB056-VB100, VB124-VB200, VB203-VB250, VB254-VB280, VB285-VB320, VB325-VB400, VB402-VB410, VB421-VD999, VE003-VE040, VE044-VE060, VE069-VE115, VE117-VE180, VF001-VF011, VF021-VF110, VF161-VF180, VF251-VF260, VK001-VK190, VL001-VL040, VL701-VL790, VL796-VL810, VL871-VL880, VL891-VL945, VM999-VN340, VN371-VN960, VN966-VN990, VR401-VR401, VR421-VR421, VR426-VR427, VR461-VR461, VR471-VR471, VS051-VS052, VS061-VS061, VS066-VS070, VS073-VS073, VS091-VS094, VS111-VS111, VS131-VS132, VS176-VS177, VS186-VS187, VS196-VS199, VS206-VS207, VS246-VS248, VS261-VS262, VS266-VS268, VA301-VA315, VB101-VB123, VB251-VB253, VB323-VB324, VE001-VE002

Equipment Index
Table 2 (Sheet 8)

25-71-02

DESCRIPTION & OPERATION

01

Page 16

Nov 01/02


BOEING
 COMPONENT
 MAINTENANCE MANUAL

P/N 286T0045 DASH NUMBER	EQUIPMENT P/N	REFERENCE DESIGNATOR	AIRPLANE
101 (Cont)	D110550	D11553T	VA021-VA500, VA520-VA700, VA713-VA800, VA811-VA999, VB003-VB050, VB056-VB200, VB203-VB250, VB254-VB280, VB285-VB300, VB303-VB320, VB325-VB400, VB402-VB410, VB421-VD999, VE003-VE020, VE024-VE040, VE044-VE060, VE069-VE100, VE104-VE115, VE117-VE180, VF001-VF011, VF021-VF110, VF161-VF180, VF251-VF260, VK001-VK190, VL001-VL040, VL701-VL790, VL796-VL810, VL871-VL880, VL891-VL945, VM999-VN340, VN371-VN960, VN966-VN990, VR401-VR401, VR421-VR421, VR426-VR427, VR461-VR461, VR471-VR471, VS051-VS052, VS061-VS061, VS066-VS070, VS073-VS073, VS091-VS094, VS111-VS111, VS131-VS132, VS176-VS177, VS186-VS187, VS196-VS199, VS206-VS207, VS246-VS248, VS261-VS262, VS266-VS268
300	DDMAF78S (71468)	D00811	
	DDMAF78S (71468)	D00813	

Equipment Index
Table 2 (Sheet 9)

25-71-02

DESCRIPTION & OPERATION

01

Page 17

Nov 01/02

P/N 286T0045 DASH NUMBER	EQUIPMENT P/N	REFERENCE DESIGNATOR	AIRPLANE
300 (Cont)	BACC65L66	D00815	
	BACC47EM1	D00815U	
	BACC65L66	D00817	
	BACC47EM1	D00817U	
	BACC65L66	D00819	
	BACC47EM1	D00819U	
	BACC65L66	D00821	
	BACC47EM1	D00821U	
	BACC65L66	D00823	
	BACC47EM1	D00823U	
	BACC65L66	D01381	
	BACC47EM1	D01381U	
	BACC65L66	D01433	
	BACC47EM1	D01433U	
	BACC65L66	D01487	
	BACC47EM1	D01487U	

 Equipment Index
 Table 2 (Sheet 10)

25-71-02

DESCRIPTION & OPERATION

01

Page 18

Nov 01/02


BOEING
 COMPONENT
 MAINTENANCE MANUAL

P/N 286T0045 DASH NUMBER	EQUIPMENT P/N	REFERENCE DESIGNATOR	AIRPLANE
300 (Cont)	BACC65L66	D01489	
	BACC47EM1	D01489U	
	S0-1064-007 (V35344)	D01503	
	S0-1064-007 (V35344)	D01505	
	BACC65L66	D01739	
	BACC47EM1	D017399U	
	BACC65L66	D01741	
	BACC47EM1	D01741U	
	BACC65L66	D02261	
	BACC47EM1	D02261U	VS308-VS315,VS561-VS570
	BACC45FN16-24P7	D04301J	
	BACC45FN12-12P8	D04303J	
	BACC45FN24-61P	D04347J	
	BACC45FN24-61P6	D04349J	
	BACC45FN12-12P9	D04507J	

Equipment Index
 Table 2 (Sheet 11)

25-71-02

DESCRIPTION & OPERATION

01

Page 19

Nov 01/02

P/N 286T0045 DASH NUMBER	EQUIPMENT P/N	REFERENCE DESIGNATOR	AIRPLANE
300 (Cont)	BACC45FN14-15P	D04509J	
	BACC45FN18-31P6	D04511J	
	BACC45FN14-15P7	D04597J	
	M24308/2-4F (V96906)	D11553	
	D110550	D11553T	
301	DDMAF78S (V71468)	D00811	
	DDMAF78S (V71468)	D00813	
	BACC65L66	D00815	
	BACC47EM1	D00815U	
	BACC65L66	D00817	
	BACC47EM1	D00817U	
	BACC65L66	D00819	
	BACC47EM1	D00819U	
	BACC65L66	D00821	
	BACC47EM1	D00821U	

Equipment Index
 Table 2 (Sheet 12)

25-71-02

DESCRIPTION & OPERATION

01

Page 20

Nov 01/02


BOEING
 COMPONENT
 MAINTENANCE MANUAL

P/N 286T0045 DASH NUMBER	EQUIPMENT P/N	REFERENCE DESIGNATOR	AIRPLANE
301 (Cont)	BACC65L66	D00823	
	BACC47EM1	D00823U	
	BACC65L66	D01381	
	BACC47EM1	D01381U	
	BACC65L66	D01433	
	BACC47EM1	D01433U	
	BACC65L66	D01487	
	BACC47EM1	D01487U	
	BACC65L66	D01489	
	BACC47EM1	D01489U	
	S0-1064-007 (V35344)	D01503	
	S0-1064-007 (V35344)	D01505	
	BACC65L66	D01739	
	BACC47EM1	D01739U	
	BACC65L66	D01741	
	BACC47EM1	D01741U	

Equipment Index
 Table 2 (Sheet 13)

25-71-02

DESCRIPTION & OPERATION

01

Page 21

Nov 01/02

P/N 286T0045 DASH NUMBER	EQUIPMENT P/N	REFERENCE DESIGNATOR	AIRPLANE
301 (Cont)	BACC65L66	D02261	
	BACC47EM1	D02261U	
	BACC45FN16-24P7	D04301J	
	BACC45FN12-12P8	D04303J	
	BACC45FN24-61P	D04347J	
	BACC45FN24-61P6	D04349J	
	BACC45FN12-12P9	D04507J	
	BACC45FN14-15P	D04509J	
	BACC45FN18-31P6	D04511J	
	BACC45FN14-15P7	D04597J	
	M24308/2-4F (V96906)	D11553	
	D110550	D11553T	
200,302,312	DDMAF78S (V71468)	D00811	
	DDMAF78S (V71468)	D00813	

Equipment Index
 Table 2 (Sheet 14)

25-71-02

DESCRIPTION & OPERATION

01

Page 22

Nov 01/02


BOEING
 COMPONENT
 MAINTENANCE MANUAL

P/N 286T0045 DASH NUMBER	EQUIPMENT P/N	REFERENCE DESIGNATOR	AIRPLANE
200,302,312 (Cont)	BACC65L66	D00815	
	BACC47EM1	D00815U	
	BACC65L66	D00817	
	BACC47EM1	D00817U	
	BACC65L66	D00819	
	BACC47EM1	D00819U	
	BACC65L66	D00821	
	BACC47EM1	D00821U	
	BACC65L66	D00823	
	BACC47EM1	D00823U	
	BACC65L66	D01381	
	BACC47EM1	D01381U	
	BACC65L66	D01433	
	BACC47EM1	D01433U	
	BACC65L66	D01487	
	BACC47EM1	D01487U	

Equipment Index
 Table 2 (Sheet 15)

25-71-02

DESCRIPTION & OPERATION

01

Page 23

Nov 01/02

P/N 286T0045 DASH NUMBER	EQUIPMENT P/N	REFERENCE DESIGNATOR	AIRPLANE
200,302,312 (Cont)	BACC65L66	D01489	
	BACC47EM1	D01489U	
	S0-1064-007 (V35344)	D01503	
	S0-1064-007 (V35344)	D01505	
	BACC65L66	D02261	
	BACC47EM1	D02261U	
	BACC45FN16-24P7	D04301J	
	BACC45FN12-12P8	D04303J	
	BACC45FN24-61P	D04347J	
	BACC45FN24-61P6	D04349J	
	BACC45FN12-12P9	D04507J	
	BACC45FN14-15P	D04509J	
	BACC45FN18-31P6	D04511J	
	BACC45FN14-15P7	D04597J	

Equipment Index
 Table 2 (Sheet 16)

25-71-02

DESCRIPTION & OPERATION

01

Page 24

Nov 01/02


BOEING
 COMPONENT
 MAINTENANCE MANUAL

P/N 286T0045 DASH NUMBER	EQUIPMENT P/N	REFERENCE DESIGNATOR	AIRPLANE
200,302,312 (Cont)	M24308/2-4F (V96906)	D11553	
	D110550 (V71468)	D1153T	
303,304,307, 319,325,327, OAA,OAH,OAK, OBC,OBE,OBF, OBN,OBU	DDMAF78S (V71468)	D00811	
	DDMAF78S (V71468)	D00813	
	BACC65L66	D00815	
	BACC47EM1	D00815U	
	BACC65L66	D00817	
	BACC47EM1	D00817U	
	BACC65L66	D00819	
	BACC47EM1	D00819U	
	BACC65L66	D00821	
	BACC47EM1	D00821U	
	BACC65L66	D00823	
	BACC47EM1	D00823U	

Equipment Index
 Table 2 (Sheet 17)

25-71-02

DESCRIPTION & OPERATION

01

Page 25

Nov 01/02

P/N 286T0045 DASH NUMBER	EQUIPMENT P/N	REFERENCE DESIGNATOR	AIRPLANE
303,304,307, 319,325,327, OAA,OAH,OAK, OBC,OBE,OBF, OBN,OBU (Cont)	BACC65L66	D01381	
	BACC47EM1	D01381U	
	BACC65L66	D01433	
	BACC47EM1	D01433U	
	BACC65L66	D01487	
	BACC47EM1	D01487U	
	BACC65L66	D01489	
	BACC47EM1	D01489U	
	S0-1064-007 (V35344)	D01503	
	S0-1064-007 (V35344)	D01505	
	BACC65L66	D01739	
	BACC47EM1	D01739U	
	BACC65L66	D01741	
	BACC47EM1	D01741U	
	BACC65L66	D02261	
	BACC47EM1	D02261U	

Equipment Index
Table 2 (Sheet 18)

25-71-02

DESCRIPTION & OPERATION

01

Page 26

Nov 01/02


BOEING
 COMPONENT
 MAINTENANCE MANUAL

P/N 286T0045 DASH NUMBER	EQUIPMENT P/N	REFERENCE DESIGNATOR	AIRPLANE
303,304,307, 319,325,327, OAA,OAH,OAK, OBC,OBE,OBF, OBN,OBU (Cont)	BACC45FN16-24P7	D04301J	
	BACC45FN12-12P8	D04303J	
	BACC45FN24-61P	D04347J	
	BACC45FN24-61P6	D04349J	
	BACC45FN12-12P9	D04507J	
	BACC45FN14-15P	D04509J	
	BACC45FN18-31P6	D04511J	
	BACC45FN14-15P7	D04597J	
	M24308/2-4F (V96906)	D11553	
	D110550 (V71468)	D1153T	
305,306,308, 309,310,311, 314,315,317, 320,322,324, 328,329,330, 331,OAB,OAC, OAD,OAG,OAP, OAR,OAV,OAX, OAZ,OB,OB,OB, OBG,OBH,OBK, OBT,OBV,OBX, OBY,OCB	DDMAF78S (V71468)	D00811	
	DDMAF78S (V71468)	D00813	
	BACC65L66	D00815	
	BACC47EM1	D00815U	
	BACC65L66	D00817	
	BACC47EM1	D00817U	

Equipment Index
 Table 2 (Sheet 19)

25-71-02

DESCRIPTION & OPERATION

01

Page 27

Nov 01/02

P/N 286T0045 DASH NUMBER	EQUIPMENT P/N	REFERENCE DESIGNATOR	AIRPLANE	
305,306,308, 309,310,311, 314,315,317, 320,322,324, 328,329,330, 331,0AB,0AC, 0AD,0AG,0AP, 0AR,0AV,0AX, 0AZ,0BB,0BD, 0BG,0BH,0BK, 0BT,0BV,0BX, 0BY,0CB (Cont)	BACC65L66	D00819		
	BACC47EM1	D00819U		
	BACC65L66	D00821		
	BACC47EM1	D00821U		
	BACC65L66	D00823		
	BACC47EM1	D00823U		
	BACC65L66	D01381		
	BACC47EM1	D01381U		
	BACC65L66	D01433		
	BACC47EM1	D01433U		
	BACC65L66	D01487		
	BACC47EM1	D01487U		
	BACC65L66	D01489		
	BACC47EM1	D01489U		
	S0-1064-007 (V35344)	D01503		
	S0-1064-007 (V35344)	D01505		

Equipment Index
 Table 2 (Sheet 20)

25-71-02

DESCRIPTION & OPERATION

01

Page 28

Nov 01/02


BOEING
 COMPONENT
 MAINTENANCE MANUAL

P/N 286T0045 DASH NUMBER	EQUIPMENT P/N	REFERENCE DESIGNATOR	AIRPLANE
305,306,308, 309,310,311, 314,315,317, 320,322,324, 328,329,330, 331,0AB,0AC, 0AD,0AG,0AP, 0AR,0AV,0AX, 0AZ,0BB,0BD, 0BG,0BH,0BK, 0BT,0BV,0BX, 0BY,0CB (Cont)	BACC65L66	D02261	
	BACC47EM1	D02261U	
	BACC45FN16-24P7	D04301J	
	BACC45FN12-12P8	D04303J	
	BACC45FN24-61P	D04347J	
	BACC45FN24-61P6	D04349J	
	BACC45FN12-12P9	D04507J	
	BACC45FN14-15P	D04509J	
	BACC45FN18-31P6	D04511J	
	BACC45FN14-15P7	D04597J	
	M24308/2-4F (V96906)	D11553	
	D110550 (V71468)	D1153T	
601,701	DDMAF78S (V71468)	D00811	
	DDMAF78S (V71468)	D00813	

Equipment Index
Table 2 (Sheet 21)

25-71-02

DESCRIPTION & OPERATION

01

Page 29

Nov 01/02

P/N 286T0045 DASH NUMBER	EQUIPMENT P/N	REFERENCE DESIGNATOR	AIRPLANE
601,701 (Cont)	BACC65L66	D00815	
	BACC47EM1	D00815U	
	BACC65L66	D00817	
	BACC47EM1	D00817U	
	BACC65L66	D00819	
	BACC47EM1	D00819U	
	BACC65L66	D00821	
	BACC47EM1	D00821U	
	BACC65L66	D00823	
	BACC47EM1	D00823U	
	BACC65L66	D01381	
	BACC47EM1	D01381U	
	BACC65L66	D01433	
	BACC47EM1	D01433U	
	BACC65L66	D01487	
	BACC47EM1	D01487U	

Equipment Index
 Table 2 (Sheet 22)

25-71-02

DESCRIPTION & OPERATION

01

Page 30

Nov 01/02


BOEING
 COMPONENT
 MAINTENANCE MANUAL

P/N 286T0045 DASH NUMBER	EQUIPMENT P/N	REFERENCE DESIGNATOR	AIRPLANE
601,701 (Cont)	BACC65L66	D01489	
	BACC47EM1	D01489U	
	S0-1064-007 (V35344)	D01503	
	S0-1064-007 (V35344)	D01505	
	BACC65L66	D02261	
	BACC47EM1	D02261U	
	BACC45FN16-24P7	D04301J	SM004-SM010, SF184-VF190, VR201-VR201, VR251-VR251, VW709-VW850, VW852-VW999,
	BACC45FN12-12P7	D04301J	SM001-SM003, VF181-VF183, VW701-VW708, VW851-VW851
	BACC45FN12-12P8	D04303J	
	BACC45FN24-61P	D04347J	
	BACC45FN24-61P6	D04349J	
	BACC45FN12-12P9	D04507J	
	BACC45FN14-15P	D04509J	

Equipment Index
 Table 2 (Sheet 23)

25-71-02

DESCRIPTION & OPERATION

01

Page 31

Nov 01/02

P/N 286T0045 DASH NUMBER	EQUIPMENT P/N	REFERENCE DESIGNATOR	AIRPLANE
601,701 (Cont)	BACC45FN18-31P6	D04511J	
	BACC45FN14-15P7	D04597J	
	M24308/2-4F (V96906)	D11553	
	D110550 (V71468)	D1153T	
OAL	DDMAF78S (V71468)	D00811	
	DDMAF78S (V71468)	D00813	
	BACC65L66	D00815	
	BACC47EM1	D00815U	
	BACC65L66	D00817	
	BACC47EM1	D00817U	
	BACC65L66	D00819	
	BACC47EM1	D00819U	
	BACC65L66	D00821	
	BACC47EM1	D00821U	

Equipment Index
 Table 2 (Sheet 24)

25-71-02

DESCRIPTION & OPERATION

01

Page 32

Nov 01/02


BOEING
 COMPONENT
 MAINTENANCE MANUAL

P/N 286T0045 DASH NUMBER	EQUIPMENT P/N	REFERENCE DESIGNATOR	AIRPLANE
OAL (Cont)	BACC65L66	D00823	
	BACC47EM1	D00823U	
	BACC65L66	D00907	
	BACC47EM1	D00907U	
	BACC65L66	D01381	
	BACC47EM1	D01381U	
	BACC65L66	D01433	
	BACC47EM1	D01433U	
	BACC65L66	D01487	
	BACC47EM1	D01487U	
	BACC65L66	D01489	
	BACC47EM1	D01489U	
	S0-1064-007 (V35344)	D01503	
	S0-1064-007 (V35344)	D01505	
	BACC65L66	D01739	
	BACC47EM1	D01739U	

Equipment Index
 Table 2 (Sheet 25)

25-71-02

DESCRIPTION & OPERATION

01

Page 33

Nov 01/02

P/N 286T0045 DASH NUMBER	EQUIPMENT P/N	REFERENCE DESIGNATOR	AIRPLANE
OAL (Cont)	BACC65L66	D01741	
	BACC47EM1	D01741U	
	BACC65L66	D02261	
	BACC47EM1	D02261U	
	BACC45FN16-24P7	D04301J	
	BACC45FN12-12P8	D04303J	
	BACC45FN24-61P	D04347J	
	BACC45FN24-61P6	D04349J	
	BACC45FN12-12P9	D04507J	
	BACC45FN14-15P	D04509J	
	BACC45FN18-31P6	D04511J	
	BACC45FN14-15P7	D04597J	
	M24308/24F (V96906)	D11553	
	D110550	D11553T	

Equipment Index
 Table 2 (Sheet 26)

25-71-02

DESCRIPTION & OPERATION

01

Page 34

Nov 01/02

TESTING AND TROUBLE SHOOTING1. Testing

- A. Wire lists contained in Fig. 101 thru Fig. 153 may be used with standard shop multimeter or ohmmeter to verify wire continuity from end-to-end, as necessary.
- B. Wire list column definitions:
- (1) Wire numbers
 - (a) 1 thru 999
 - (b) PA01-PY99 for a polarizing pin or rod in relay circuits
 - (2) Wire gage: Standard AWG size
 - (3) Wire type: Provides a two-character code
 - (a) PA: BMS 13-48 Type 10, class 1
 - (b) PK: BMS 13-48 Type 11, class 1
 - (c) PL: BMS 13-48 Type 11, class 2
 - (d) PQ: BMS 13-48 Type 3, class 1
 - (e) PR: BMS 13-48 Type 3, class 2
 - (f) PS: BMS 13-48 Type 3, class 3
 - (g) PV: BMS 13-48 Type 6, class 1
 - (h) PW: BMS 13-48 Type 6, class 2
 - (i) SE: Polyester expando sleeve
 - (j) UA: BMS 13-48 Type 8, class 1
 - (4) FROM/TO Equipment Number: The connector name at which the wire terminates

25-71-02

- (5) **TERM:** Defines the connector or terminal board pin number or reference characters. A letter followed by an asterisk indicates a lower case letter.
- (a) (=): An equal sign appearing ahead of the identifier means no identification is to be found on the part and the identifiers used are for hookup and test purposes.
 - (b) REF: Indicates that the equipment is just a reference location where the termination is to be made.
 - (c) CAP: Indicates a wire terminated by an end cap near the equipment shown.
 - (d) DED: Indicates that the shield is dead-ended and not terminated by pigtail or jumper wire.
 - (e) A., D., S.: Indicates ground terminations AC, DC and Static/Shield/ Special (respectively).
- (6) **TERM TYPE:** Contains a code that refers to the type of termination, including the type and size of contact, splice, lug, shield termination, etc. The definitions of these codes are listed below:
- (a) W: Install moisture seal splice (closed end) per D6-36911
 - (b) D: BACT12AR(), AC() or 690-52622-3, #8 Stud
 - (c) 2: Terminal Block Contact, Part Number BACC47DE()
- (7) **WIRING DIAGRAM MANUAL REFERENCE:** Refers to the wiring diagram number for the manual that contains the wire and equipment at each termination.
- (8) **EMC/SEP:** This column lists the code defining special routing or handling requirements specific to a particular wire/signal. Details are provided in the Repair Section for each code listed.
- (9) **FEET:** Refers to the length in feet of the wire listed. A wire without a length will appear if it is part of a family of wires. The length for this particular wire is usually specified on the lowest wire number in that family group.

25-71-02

**BOEING**
COMPONENT
MAINTENANCE MANUAL

(10) NOTES: Each note code used consists of two parts.

(a) The first part is a three letter prefix, each of which is defined below.

- 1) DAW: Install keying plug issued with connector after Hughes Test is complete.
- 2) MLA: Contact pin BACC47CN1A
- 3) UAE: Do not close connector. Wires to be added in panel area 236..
- 4) PAJ: No first end terminations required. Coil and tie loose wire with connector.
- 5) ZSZ: Wire added by service bulletin. Length and grouping should be researched.
- 6) MOT: No. 22 socket, contact P/N BACC47EK1

(b) The second part is a two-digit alphanumeric suffix code. The letter used is defined below, and the second digit number is for Boeing production information:

- 1) F: Indicates that the note applies to the FROM EQUIPMENT end of the wire.
- 2) T: Indicates that the note applies to the TO EQUIPMENT end of the wire.
- 3) B: Indicates that the note applies to both ends of the wire.

25-71-02TESTING & TROUBLE SHOOTING
01 Page 103
Nov 01/02

WIRE		FROM EQUIPMENT			TO EQUIPMENT			WIRE INFO		
NUMBER	GA TYP	NUMBER	TERM TT	WD REF	NUMBER	TERM TT	EMC/SEP	FT	NOTE	EFFECTIVITY
FRA		M01103		31-51-12	M01103	D	N2			VA001-VE301 VB303-VB410 VB421-VE180 VF001-VF011
FRB		D00813		31-51-12	D00813	59	N2			VF021-VF110 VF161-VF180 VF251-VF260 VK001-VK180
										VL001-VL040 VL701-VL790 VL796-VL810 VL871-VL880
										VL891-VL945 VM999-VN340 VN371-VN960 VN966-VN990
										VR401-VR401 VR421-VR421 VR426-VR427 VR471-VR471
										VS051-VS052 VS061-VS061 VS066-VS070 VS073-VS073
										VS091-VS094 VS111-VS111 VS131-VS132 VS176-VS177
										VS186-VS187 VS196-VS199 VS206-VS207 VS246-VS248
										VS261-VS262 VS266-VS268
FRC		M01102		31-51-11	M01102	D	N2			VE061-VE100 VE116-VE120 VK161-VK170 VN081-VN095
FRD		D00811		31-51-11	D00811	59	N2			VN111-VN150 VN376-VN380 VN531-VN630 VN821-VN920
										VS246-VS248
FRE		D04301J		31-51-34	D04301J	15	N2			VE061-VE100 VE116-VE120 VK161-VK170 VN081-VN095
										VN111-VN150 VN376-VN380 VN531-VN630 VN821-VN920
										VS246-VS248
FRF		D04347J		31-51-34	D04347J	52	N2			VE086-VE100 VE118-VE120 VE147-VE180 VF051-VF110
										VF161-VF180 VF251-VF260 VK055-VK080 VK090-VK190
										VL012-VL040 VL701-VL790 VL796-VL810 VL871-VL880
										VL891-VL945 VM999-VN999 VN016-VN050 VN055-VN080
										VN086-VN340 VN371-VN960 VN966-VN990 VR401-VR401
										VR421-VR421 VR426-VR427 VR461-VR461 VR471-VR471
										VS051-VS052 VS061-VS061 VS066-VS070 VS073-VS073
										VS091-VS094 VS111-VS111 VS131-VS132 VS176-VS177
										VS186-VS187 VS196-VS199 VS206-VS207 VS246-VS248
										VS261-VS262 VS266-VS268

 286T0045-101
 Wire Bundle Assembly
 Figure 101 (Sheet 1)

25-71-02



BOEING
COMPONENT
MAINTENANCE MANUAL

WIRE		FROM EQUIPMENT			TO EQUIPMENT			WIRE INFO		
NUMBER	GA TYP	NUMBER	TERM TT	WD REF	NUMBER	TERM TT	EMC/SEP	FT	NOTE	EFFECTIVITY
FRG		D04349J	58	31-41-35	D04349J		N2			VB329-VB370 VB441-VB450 VB086-VE100 VE118-VE120 VE147-VE180 VF051-VF110 VF161-VF180 VF251-VF260 VR012-VK020 VK046-VK080 VK090-VK190 VL012-VL040 VL701-VL790 VL796-VL810 VL871-VL880 VL891-VL945 VM999-VM999 VN055-VN080 VN086-VN340 VN371-VN960 VN966-VN990 VR401-VR401 VR421-VR421 VR426-VR427 VR461-VR461 VR471-VR471 VS051-VS052 VS061-VS061 VS066-VS070 VS073-VS073 VS091-VS094 VS111-VS111 VS131-VS132 VS176-VS177 VS186-VS187 VS206-VS207 VS246-VS248 VS261-VS262 VS266-VS268
FRH		D04349J	61	28-41-11	D04349J		N2			VN016-VN050 VS196-VS199
FRH		D04349J	61	28-41-11	D04349J	61	N2			
PA1		D00815	47	99-99-99	D00815	63	N2		DAW-B2	
PA2		D00817	8	99-99-99	D00817		N2		DAW-B2	
PA4		D00821	43	99-99-99	D00821	60	N2		DAW-B2	VA001-VA001 VA701-VA712 VB001-VB002 VB051-VB055 VB201-VB202 VB281-VB284 VB321-VB322 VB401-VB401 VE041-VE043 VE061-VE068 VE116-VE116

286T0045-101
Wire Bundle Assembly
Figure 101 (Sheet 2)

25-71-02

WIRE		FROM EQUIPMENT			TO EQUIPMENT			WIRE INFO		
NUMBER	GA TYP	NUMBER	TERM TT	WD REF	NUMBER	TERM TT	EMC/ SEP	FT	NOTE	EFFECTIVITY
PA5		D00823	50	99-99-99	D00823	64	N2		DAW-B2	VA002-VA700 VA713-VA999 VB003-VB050 VB056-VB200 VB203-VB280 VB285-VB320 VB323-VB400 VB402-VB410 VB421-VE040 VE044-VE060 VE069-VE115 VE117-VE180 VF001-VF011 VF021-VF110 VF161-VF180 VF251-VF260 VK001-VK190 VL001-VL040 VL701-VL790 VL796-VL810 VL871-VL880 VL891-VL945 VM999-VN340 VN371-VN960 VN966-VN990 VR401-VR401 VR421-VR421 VR426-VR427 VR461-VR461 VR471-VR471 VS051-VS052 VS061-VS061 VS066-VS070 VS073-VS073 VS091-VS094 VS111-VS111 VS131-VS132 VS176-VS177 VS186-VS187 VS196-VS199 VS206-VS207 VS246-VS248 VS261-VS262 VS266-VS268
	PA5 PA6	D00823	52	99-99-99	D00823	65	N2		DAW-B2	VA001-VA001 VA701-VA712 VB001-VB002 VB051-VB055
		D01433	44	99-99-99	D01433	61	N2		DAW-B2	VB201-VB202 VB281-VB284 VB321-VB322 VB401-VB401 VE041-VE043 VE061-VE068 VE116-VE116
	PA7	D01381	50	99-99-99	D01381	64	N2		DAW-B2	VA002-VA700 VA713-VA999 VB003-VB050 VB056-VB200 VB203-VB280 VB285-VB320 VB323-VB400 VB402-VB410 VB421-VE040 VE044-VE060 VE069-VE115 VE117-VE180 VF001-VF011 VF021-VF110 VF161-VF180 VF251-VF260 VK001-VK190 VL001-VL040 VL701-VL790 VL796-VL810 VL871-VL880 VL891-VL945 VM999-VN340 VN371-VN960 VN966-VN990 VR401-VR401 VR421-VR421 VR426-VR427 VR461-VR461 VR471-VR471 VS051-VS052 VS061-VS061 VS066-VS070 VS073-VS073 VS091-VS094 VS111-VS111 VS131-VS132 VS176-VS177 VS186-VS187 VS196-VS199 VS206-VS207 VS246-VS248 VS261-VS262 VS266-VS268
		D01381	52	99-99-99	D01381	65	N2		DAW-B2	

 286T0045-101
 Wire Bundle Assembly
 Figure 101 (Sheet 3)

25-71-02



BOEING
COMPONENT
MAINTENANCE MANUAL

WIRE		FROM EQUIPMENT		TO EQUIPMENT		WIRE INFO				
NUMBER	GA TYP	NUMBER	TERM TT	WD REF	NUMBER	TERM TT	EMC/SEP	FT	NOTE	EFFECTIVITY
PA8		D01487	8	99-99-99	D01487	57	N2		DAW-B2	VB321-VB370 VF011-VF011 VF101-VF110 VF171-VF180 VL891-VL930 VN111-VN150 VN171-VN190 VN371-VN490 VN531-VN650 VN681-VN730 VN821-VN930 VN951-VN960 VS051-VS052 VS176-VS177 VS246-VS248
PA9		D01489	56	99-99-99	D01489	65	N2		DAW-B2	
PB1		D01739	7	99-99-99	D01739	62	N2		DAW-B2	VB321-VB370 VF011-VF011 VF101-VF110 VF171-VF180 VL891-VL930 VN111-VN150 VN171-VN190 VN371-VN490 VN531-VN650 VN681-VN730 VN821-VN930 VN951-VN960 VS051-VS052 VS176-VS177 VS246-VS248
PB2		D01741	7	99-99-99	D01741	62	N2		DAW-B2	VE061-VE100 VE116-VE120 VK161-VK170 VN081-VN095 VN111-VN150 VN376-VN380 VN531-VN630 VN821-VN920 VS246-VS248
PB3		D00907	29	99-99-99	D00907	42	N2		DAW-B2	VB329-VB370 VB441-VB450 VE086-VE100 VE118-VE120 VE147-VE180 VF051-VF110 VF161-VF180 VF251-VF260 VK012-VK020 VK046-VK080 VK090-VK190 VL012-VL040 VL701-VL790 VL796-VL810 VL871-VL880 VL891-VL945 VN999-VN999 VN016-VN050 VN055-VN080 VN086-VN340 VN371-VN960 VN966-VN990 VR401-VR401 VR421-VR421 VR426-VR427 VR461-VR461 VR471-VR471 VS051-VS052 VS061-VS061 VS066-VS070 VS073-VS073 VS091-VS094 VS111-VS111 VS131-VS132 VS176-VS177 VS186-VS187 VS196-VS199 VS206-VS207 VS246-VS248 VS261-VS262 VS266-VS268

286T0045-101
Wire Bundle Assembly
Figure 101 (Sheet 4)

25-71-02

WIRE		FROM EQUIPMENT			TO EQUIPMENT			WIRE INFO			
NUMBER	GA.	TYP	NUMBER	TERM TT	WD REF	NUMBER	TERM TT	EMC/SEP	FT	NOTE	EFFECTIVITY
PB4			D02261	54	99-99-99	D02261	61	N2		DAW-E2	VA001-VA999 VB003-VB410 VB421-VE180 VF001-VF011 VF021-VF110 VF161-VF170 VK001-VK190 VL001-VL040 VL701-VL790 VL796-VL810 VL871-VL880 VL911-VL945 VM999-VN340 VN371-VN960 VN966-VN990 VR401-VR401 VR421-VR421 VR426-VR427 VR461-VR461 VR471-VR471 VS051-VS052 VS061-VS061 VS066-VS070 VS073-VS073 VS091-VS094 VS111-VS111 VS131-VS132 VS176-VS177 VS186-VS187 VS196-VS199 VS206-VS207 VS246-VS248 VS261-VS262 VS266-VS268
P01		SE	D11553					N2			VF171-VF180 VF251-VF260
P01		SE	D11553					N2			VL891-VL910
P01		SE	D11553					N2			VL871-VL880 VM111-VN150 VN821-VN920 VS246-VS248
S01		SL	D02261					N2	3	ISL-F2	VA001-VB410 VB421-VE180 VF001-VF011 VF021-VF110 VF161-VF180 VK001-VK180 VL001-VL040 VL701-VL790 VL796-VL805 VL891-VL930 VM999-VN095 VN111-VN173 VN191-VN340 VN371-VN656 VN671-VN960 VN966-VN967 VN971-VN990 VR401-VR401 VR421-VR421 VR426-VR427 VR471-VR471 VS051-VS052 VS066-VS070 VS073-VS073 VS196-VS199 VS246-VS248 VS266-VS268
1	22	PA	D00811	60	31-51-11	GDX0001	S.. 2	N2	4	UAE-F2	VF251-VF260 VK181-VK190 VL806-VL810 VL871-VL880 VL931-VL945 VM096-VN110 VN174-VN190 VN657-VN670 VN968-VN970 VR461-VR461 VS061-VS061 VS091-VS094 VS111-VS111 VS131-VS132 VS176-VS177 VS186-VS187 VS206-VS207 VS261-VS262

286T0045-101
Wire Bundle Assembly
Figure 101 (Sheet 5)

25-71-02



BOEING
COMPONENT
MAINTENANCE MANUAL

WIRE		FROM EQUIPMENT			TO EQUIPMENT			WIRE INFO					
NUMBER	GA	TYP	NUMBER	TERM	WD	REF	NUMBER	TERM	TT	EMC/SEP	FT	NOTE	EFFECTIVITY
1	22	PA	D00811	60	31-51-11	31-51-11	GDX0001	S..	2	N2	3	UAE-F2	VA001-VB410 VB421-VE180 VF001-VF011 VF021-VF110 VF161-VF180 VK001-VK180 VL001-VL040 VL701-VL790 VL796-VL805 VL891-VL930 VM999-VN095 VN111-VN173 VN191-VN340 VN371-VN656 VN671-VN960 VN966-VN967 VN971-VN990 VR401-VR401 VR421-VR421 VR426-VR427 VR471-VR471 VS051-VS052 VS066-VS070 VS073-VS073 VS196-VS199 VS246-VS248 VS266-VS268
2	22	PA	D00821	14	31-51-11	31-51-11	GDX0002	D..	2	N2	4		VF251-VF260 VK181-VK190 VL806-VL810 VL871-VL880 VL931-VL945 VM096-VN110 VN174-VN190 VN657-VN670 VN968-VN970 VR461-VR461 VS061-VS061 VS091-VS094 VS111-VS111 VS131-VS132 VS176-VS177 VS186-VS187 VS206-VS207 VS261-VS262
2	22	PA	D00821	14	31-51-11	31-51-11	GDX0002	D..	2	N2	2		VA001-VB320 VB371-VB410 VB421-VE180 VF001-VF010 VF021-VF100 VF161-VF170 VK001-VK180 VL001-VL040 VL701-VL790 VL796-VL805 VM999-VN095 VN151-VN170 VN191-VN340 VN491-VN530 VN651-VN656 VN671-VN680 VN731-VN820 VN931-VN950 VN966-VN967 VN971-VN990 VR401-VR401 VR421-VR421 VR426-VR427 VR471-VR471 VS066-VS070 VS073-VS073 VS196-VS199 VS266-VS268
3	24	PV	D00811	26	31-51-11	31-51-11	D00821	27		N2	5		VB321-VB370 VF101-VF110 VN111-VN150 VN171-VN173 VN821-VN920 VS246-VS248
3	24	PV	SM00068		31-51-11	31-51-11	D00821	27	W	N2	5		VF011-VF011
3	24	PV	D00821	27	31-51-11	31-51-11	SM00069		W	N2	5		VF171-VF180 VL891-VL930 VN951-VN960 VS051-VS052
3	24	PV	SM00068		31-51-11	31-51-11	D00821	27	W	N2	2		VF251-VF260 VN174-VN190
3	24	PV	SM00068		31-51-11	31-51-11	D00821	27	W	N2	1		VK181-VK190 VL806-VL810 VL871-VL880 VL931-VL945 VN096-VN110 VN657-VN670 VN968-VN970 VR461-VR461 VS111-VS111 VS131-VS132 VS186-VS187 VS206-VS207

286T0045-101
Wire Bundle Assembly
Figure 101 (Sheet 6)

25-71-02

WIRES		FROM EQUIPMENT			TO EQUIPMENT			WIRES INFO						
NUMBER	GA	TYP	NUMBER	TERM	TT	WD	REF	NUMBER	TERM	TT	EMC/SEP	FT	NOTE	EFFECTIVITY
3	24	PV	D00811	26		31-51-11		D00821	27		N2	3		VN371-VN490 VN531-VN650 VM681-VN730 VN921-VN930 VS061-VS061 VS091-VS094 VS261-VS262 VS176-VS177 VA001-VB320 VB371-VB410 VB421-VE180 VF001-VF010 VF021-VF100 VF161-VF170 VK001-VK190 VL001-VL040 VL701-VL790 VL796-VL810 VL871-VL880 VL931-VL945 VM999-VN110 VN151-VN170 VN174-VN340 VM491-VN530 VM651-VN680 VN731-VN820 VN931-VN950 VN966-VN990 VR401-VR401 VR421-VR421 VR426-VR427 VR461-VR461 VR471-VR471 VS061-VS061 VS066-VS070 VS073-VS073 VS091-VS094 VS111-VS111 VS131-VS132 VS186-VS187 VS196-VS199 VS206-VS207 VS261-VS262 VS266-VS268
003Z			D00811	DED		31-51-11		D00821			N2			VB321-VB370 VF011-VF011 VF101-VF110 VF171-VF180 VF251-VF260 VL891-VL930 VN111-VN150 VN371-VN490 VN531-VN650 VM681-VN730 VM821-VN930 VM951-VN960 VS051-VS052 VS176-VS177 VS246-VS248
003Z			SM00068	REF		31-51-11		D00821			N2		MTC-F2	VN171-VN173
003Z			SM00068	REF		31-51-11		D00821			N2			VA001-VB320 VB371-VB410 VB421-VB440 VB451-VE180 VF001-VF010 VF021-VF100 VF161-VF170 VK001-VK180 VL001-VL040 VL701-VL790 VL796-VL805 VM999-VN095 VN151-VN170 VN191-VN340 VM491-VN530 VM651-VN656 VN671-VN680 VN731-VN820 VN931-VN950 VN966-VN967 VN971-VN990 VR401-VR401 VR421-VR421 VR426-VR427 VR471-VR471 VS066-VS070 VS073-VS073 VS196-VS199 VS266-VS268
4	24	PV	D00811	49		31-51-11		D00821	32		N2	5		VB321-VB370 VF011-VF011 VF101-VF110 VN111-VN150 VN171-VN173 VN821-VN920 VS246-VS248

286T0045-101
Wire Bundle Assembly
Figure 101 (Sheet 7)

25-71-02



BOEING
COMPONENT
MAINTENANCE MANUAL

WIRE		FROM EQUIPMENT			TO EQUIPMENT			WIRE INFO						
NUMBER	GA	TYP	NUMBER	TERM	TT	WD	REF	NUMBER	TERM	TT	EMC/SEP	FT	NOTE	EFFECTIVITY
4	24	PV	SM00069		W	31-51-11		D00821	32		N2	5		VB441-VB450
4	24	PV	D00811	49		31-51-11		D00821	32		N2	4		VF171-VF180
4	24	PV	SM00069		W	31-51-11		D00821	32		N2	2		VF251-VF260 VNI174-VNI190
4	24	PV	SM00069		W	31-51-11		D00821	32		N2	1		VK181-VK190 VL806-VL810 VL871-VL880 VL931-VL945
														VN096-VN110 VN657-VN670 VN968-VN970 VR461-VR461
														VS111-VS111 VS131-VS132 VS186-VS187 VS206-VS207
4	24	PV	D00811	49		31-51-11		D00821	32		N2	3		VL891-VL930 VN951-VN960 VS051-VS052
4	24	PV	SM00069		W	31-51-11		D00821	32		N2	5		VN371-VN490 VS31-VN650 VN681-VN730 VN921-VN930
4	24	PV	SM00069		W	31-51-11		D00821	32		N2	3		VS061-VS061 VS091-VS094 VS261-VS262
4	24	PV	D00811	49		31-51-11		D00821	32		N2	3		VS176-VS177
4	24	PV	SM00069		W	31-51-11		D00821	32		N2	1		VA001-VB320 VB371-VB410 VB421-VE180 VF001-VF010
														VF021-VF100 VF161-VF170 VK001-VK190 VL001-VL040
														VL701-VL790 VL796-VL810 VL871-VL880 VL931-VL945
														VM999-VN110 VNI151-VN170 VN174-VN340 VN491-VN530
														VN651-VN680 VN731-VN820 VN931-VN950 VN966-VN990
														VR401-VR401 VR421-VR421 VR426-VR427 VR461-VR461
														VR471-VR471 VS061-VS061 VS066-VS070 VS073-VS073
														VS091-VS094 VS111-VS111 VS131-VS132 VS186-VS187
														VS196-VS199 VS206-VS207 VS261-VS262 VS266-VS268
004Z			D00811	DED		31-51-11		D00821			N2			VB321-VB370 VF011-VF011 VF101-VF110 VF171-VF180
														VF251-VF260 VN111-VN150 VN471-VN490 VN531-VN650
														VN821-VN930 VS246-VS248
004Z			D00821	REF		31-51-11		SM00069	REF		N2			VL891-VL930 VN371-VN470 VN681-VN730 VN951-VN960
														VS051-VS052 VS176-VS177
004Z			SM00069	REF		31-51-11		D00821			N2			VN171-VN173

286T0045-101
Wire Bundle Assembly
Figure 101 (Sheet 8)

25-71-02

WIRE		FROM EQUIPMENT			TO EQUIPMENT			WIRE INFO					
NUMBER	GA	TYP	NUMBER	TERM	TT	WD REF	NUMBER	TERM	TT	SEP	FT	NOTE	EFFECTIVITY
004Z			D00821			31-51-11	SM00069	REF		N2		MTC-F2	VA001-VB410 VB421-VE180 VF001-VF011 VF021-VF110 VF161-VF180 VK001-VK180 VL001-VL040 VL701-VL790 VL796-VL805 VL891-VL930 VM999-VN095 VN111-VN173 VN191-VN340 VN371-VN656 VN671-VN960 VN966-VN967 VN971-VN990 VR401-VR421 VR421-VR421 VR426-VR427 VR471-VR471 VS051-VS052 VS066-VS070 VS073-VS073 VS196-VS199 VS246-VS248 VS266-VS268
5	24	PV	D00811	35		31-51-11	D00821	17		N2	5		VF251-VF260 VK181-VK190 VL806-VL810 VL871-VL880 VL931-VL945 VN096-VN110 VN174-VN190 VN657-VN670 VN968-VN970 VR461-VR461 VS111-VS111 VS131-VS132 VS177-VS177 VS186-VS187 VS206-VS207
5	24	PV	D00811	35		31-51-11	D00821	17		N2	3		VS061-VS061 VS091-VS094 VS176-VS176 VS261-VS262
5	24	PV	D00811	35		31-51-11	D00821	17		N2	3		VA001-VB410 VB421-VE180 VF001-VF011 VF021-VF110 VF161-VF180 VK001-VK180 VL001-VL040 VL701-VL790 VL796-VL805 VL891-VL930 VM999-VN095 VN111-VN173 VN191-VN340 VN371-VN656 VN671-VN960 VN966-VN967 VN971-VN990 VR401-VR421 VR421-VR421 VR426-VR427 VR471-VR471 VS051-VS052 VS066-VS070 VS073-VS073 VS196-VS199 VS246-VS248 VS266-VS268
005Z			D00811	DED		31-51-11	D00821			N2			
6	24	PK	SM00022		W	31-51-11	D00821	51		N2	3		VF251-VF260 VK181-VK190 VL806-VL810 VL871-VL880 VL931-VL945 VN096-VN110 VN174-VN190 VN657-VN670 VN968-VN970 VR461-VR461 VS061-VS061 VS091-VS094 VS111-VS111 VS131-VS132 VS176-VS177 VS186-VS187 VS206-VS207 VS261-VS262

286T0045-101
Wire Bundle Assembly
Figure 101 (Sheet 9)

25-71-02



BOEING
COMPONENT
MAINTENANCE MANUAL

WIRE			FROM EQUIPMENT			TO EQUIPMENT			WIRE INFO		
NUMBER	GA	TYP	NUMBER	TERM TT	WD REF	NUMBER	TERM TT	EMC / SEP	FT	NOTE	EFFECTIVITY
6	24	PK	SM00022		31-51-11	D00821	51	N2	1		VA001-VB410 VB421-VE180 VF001-VF011 VF021-VF110 VF161-VF180 VK001-VK180 VL001-VL040 VL701-VL790 VL796-VL805 VL891-VL930 VM999-VN095 VN111-VN173 VN191-VN340 VN371-VN656 VN671-VN960 VN966-VN967 VN971-VN990 VR401-VR401 VR421-VR421 VR426-VR427 VR471-VR471 VS051-VS052 VS066-VS070 VS073-VS073 VS196-VS199 VS246-VS248 VS266-VS268
7	24	PK	D00811	65	31-51-11	SM00022	W	N2	4		VF251-VF260 VK181-VK190 VL806-VL810 VL871-VL880 VL931-VL945 VN096-VN110 VN174-VN190 VM657-VN670 VN968-VN970 VR461-VR461 VS111-VS111 VS131-VS132 VS177-VS177 VS186-VS187 VS206-VS207
7	24	PK	D00811	65	31-51-11	SM00022	W	N2	2		VS061-VS061 VS091-VS094 VS176-VS176 VS261-VS262
7	24	PK	D00811	65	31-51-11	SM00022	W	N2	2		VA001-VB410 VB421-VE180 VF001-VF011 VF021-VF110 VF161-VF180 VK001-VK180 VL001-VL040 VL701-VL790 VL796-VL805 VL891-VL930 VM999-VN095 VN111-VN173 VN191-VN340 VN371-VN656 VN671-VN960 VN966-VN967 VN971-VN990 VR401-VR401 VR421-VR421 VR426-VR427 VR471-VR471 VS051-VS052 VS066-VS070 VS073-VS073 VS196-VS199 VS246-VS248 VS266-VS268
8	24	PK	D00819	37	31-51-11	SM00022	W	N2	3		VF251-VF260 VK181-VK190 VL806-VL810 VL871-VL880 VL931-VL945 VN096-VN110 VN174-VN190 VM657-VN670 VN968-VN970 VR461-VR461 VS061-VS061 VS091-VS094 VS111-VS111 VS131-VS132 VS176-VS177 VS186-VS187 VS206-VS207 VS261-VS262

286T0045-101
Wire Bundle Assembly
Figure 101 (Sheet 10)

25-71-02

WIRE		FROM EQUIPMENT			TO EQUIPMENT			WIRE INFO		
NUMBER	GA TYP	NUMBER	TERM TT	WD REF	NUMBER	TERM TT	EMC/SEP	FT	NOTE	EFFECTIVITY
8	24 PK	D00819	37	31-51-11	SM00022	W	N2	1		VA001-VB410 VB421-VE180 VF001-VF011 VF021-VF110 VF161-VF180 VK001-VK180 VL001-VL040 VL701-VL790 VL796-VL805 VL891-VL930 VM999-VN095 VN111-VN173 VN191-VN340 VN371-VN656 VN671-VN960 VN966-VN967 VN971-VN990 VR401-VR401 VR421-VR421 VR426-VR427 VR471-VR471 VS051-VS052 VS066-VS070 VS073-VS073 VS196-VS199 VS246-VS248 VS266-VS268
9	24 PV	D00819	27	31-51-11	D00811	13	N2	4		VF251-VF260 VK181-VK190 VL806-VL810 VL871-VL880 VL931-VL945 VN096-VN110 VN174-VN190 VN657-VN670 VN968-VN970 VR461-VR461 VS111-VS111 VS131-VS132 VS177-VS177 VS186-VS187 VS206-VS207
9	24 PV	D00819	27	31-51-11	D00811	13	N2	3		VS061-VS061 VS091-VS094 VS176-VS176 VS261-VS262
9	24 PV	D00819	27	31-51-11	D00811	13	N2	3		VA001-VB410 VB421-VE180 VF001-VF011 VF021-VF110 VF161-VF180 VK001-VK180 VL001-VL040 VL701-VL790 VL796-VL805 VL891-VL930 VM999-VN095 VN111-VN173 VN191-VN340 VN371-VN656 VN671-VN960 VN966-VN967 VN971-VN990 VR401-VR401 VR421-VR421 VR426-VR427 VR471-VR471 VS051-VS052 VS066-VS070 VS073-VS073 VS196-VS199 VS246-VS248 VS266-VS268
009Z		D00811	DED	31-51-11	D00819		N2			
10	22 PA	D00819	14	31-51-11	GDX0001	D..	N2	3		VF251-VF260 VK181-VK190 VL806-VL810 VL871-VL880 VL931-VL945 VN096-VN110 VN174-VN190 VN657-VN670 VN968-VN970 VR461-VR461 VS061-VS061 VS091-VS094 VS111-VS111 VS131-VS132 VS176-VS177 VS186-VS187 VS206-VS207 VS261-VS262

286T0045-101
Wire Bundle Assembly
Figure 101 (Sheet 11)

25-71-02



BOEING
COMPONENT
MAINTENANCE MANUAL

WIRE		FROM EQUIPMENT			TO EQUIPMENT			WIRE INFO	
NUMBER	GA TYP	NUMBER	TERM TT	WD REF	NUMBER	TERM TT	EMC / SEP	NOTE	EFFECTIVITY
10	22 PA	D00819	14	31-51-11	GDX0001	D..	2 N2		VA001-VB410 VB421-VE180 VF001-VF011 VF021-VF110 VF161-VF180 VK001-VK180 VL001-VL040 VL701-VL790 VL796-VL805 VL891-VL930 VM999-VN095 VN111-VN173 VN191-VN340 VN371-VN656 VN671-VN960 VN966-VN967 VN971-VN990 VR401-VR401 VR421-VR421 VR426-VR427 VR471-VR471 VS051-VS052 VS066-VS070 VS073-VS073 VS196-VS199 VS246-VS248 VS266-VS268
11	24 PK	D01433	51	31-51-11	SM00022	W	N2		VF251-VF260 VK181-VK190 VL806-VL810 VL871-VL880 VL931-VL945 VN096-VN110 VN174-VN190 VN657-VN670 VN968-VN970 VR461-VR461 VS061-VS061 VS091-VS094 VS111-VS111 VS131-VS132 VS176-VS177 VS186-VS187 VS206-VS207 VS261-VS262
11	24 PK	D01433	51	31-51-11	SM00022	W	N2		VA001-VB328 VB371-VB410 VB421-VB440 VB451-VE085 VE101-VE117 VE121-VE146 VF001-VF011 VF021-VF050 VK001-VK011 VK021-VK045 VK081-VK089 VL001-VL011 VN001-VN015 VN051-VN054 VN081-VN085
12	24 PV	D00811	14	31-51-11	D01433	27	N2		VB329-VB370 VB441-VB450 VE086-VE100 VE147-VE180 VF051-VF110 VF161-VF180 VK046-VK080 VK090-VK180 VL012-VL040 VL701-VL790 VL796-VL805 VL891-VL930 VM999-VN099 VN055-VN080 VN111-VN173 VN191-VN300 VN371-VN656 VN671-VN960 VN966-VN967 VN971-VN990 VR401-VR401 VR421-VR421 VR426-VR427 VR471-VR471 VS051-VS052 VS066-VS070 VS073-VS073 VS246-VS248 VS266-VS268
12	24 PV	SM00018	W	31-51-11	D01433	27	N2		VE118-VE120 VK012-VK020 VN016-VN050 VN301-VN340 VS196-VS199

286T0045-101
Wire Bundle Assembly
Figure 101 (Sheet 12)

25-71-02

WIRE		FROM EQUIPMENT			TO EQUIPMENT			WIRE INFO		
NUMBER	GA TYP	NUMBER	TERM TT	WD REF	NUMBER	TERM TT	EMC/SEP	FT	NOTE	EFFECTIVITY
12	24	PV SM00018		31-51-11	D01433	27	N2	2		VE251-VF260 VK181-VK190 VL806-VL810 VL871-VL880 VL931-VL945 VN096-VN110 VN174-VN190 VN657-VN670 VN968-VN970 VR461-VR461 VS061-VS061 VS091-VS094 VS111-VS111 VS131-VS132 VS176-VS177 VS186-VS187 VS206-VS207 VS261-VS262
12	24	PV SM00018	W	31-51-11	D01433	27	N2	1		VN086-VN095
12	24	PV SM00018	W	31-51-11	D01433	27	N2	3		VA001-VB328 VB371-VB410 VB421-VB440 VB451-VB085 VE101-VE117 VE121-VE146 VF001-VF011 VF021-VF050 VK001-VK011 VK021-VK045 VK081-VK089 VL001-VL011 VN001-VN015 VN051-VN054 VN081-VN085
012Z				31-51-11	D01433		N2			VB329-VB370 VB441-VB450 VE086-VE100 VE118-VE120 VE147-VE180 VF051-VF110 VF161-VF180 VF251-VF260 VK012-VK020 VK046-VK080 VK090-VK190 VL012-VL040 VL701-VL790 VL796-VL810 VL871-VL880 VL891-VL945 VM999-VM999 VN016-VN050 VN055-VN080 VN086-VN340 VN371-VN960 VN966-VN990 VR401-VR401 VR421-VR421 VR426-VR427 VR461-VR461 VR471-VR471 VS051-VS052 VS061-VS061 VS066-VS070 VS073-VS073 VS091-VS094 VS111-VS111 VS131-VS132 VS176-VS177 VS186-VS187 VS196-VS199 VS206-VS207 VS246-VS248 VS261-VS262 VS266-VS268
012Z				31-51-11	D01433		N2			VA001-VB328 VB371-VB410 VB421-VB440 VB451-VE085 VE101-VE117 VE121-VE146 VF001-VF011 VF021-VF050 VK001-VK011 VK021-VK045 VK081-VK089 VL001-VL011 VN001-VN015 VN051-VN054 VN081-VN085

286T0045-101
Wire Bundle Assembly
Figure 101 (Sheet 13)

25-71-02



BOEING
COMPONENT
MAINTENANCE MANUAL

WIRE			FROM EQUIPMENT			TO EQUIPMENT			WIRE INFO					
NUMBER	GA	TYP	NUMBER	TERM	TT	WD	REF	NUMBER	TERM	TT	EMC/SEP	FT	NOTE	EFFECTIVITY
13	24	PV	D00811	48		31-51-11		D01433	32		N2	4		VE329-VB370 VB441-VB450 VE086-VE100 VE171-VE180 VF051-VF110 VF161-VF170 VK046-VK080 VK090-VK130 VK141-VK180 VL012-VL040 VL701-VL790 VL796-VL805 VL891-VL930 VM999-VM999 VN055-VN080 VN086-VN095 VN111-VN173 VN191-VN300 VN371-VN656 VN671-VN960 VN966-VN967 VN971-VN990 VR401-VR401 VR421-VR421 VR426-VR427 VR471-VR471 VS051-VS052 VS066-VS070 VS073-VS073 VS246-VS248 VS266-VS268
13	24	PV	SM00047		W	31-51-11		D01433	32		N2	3		VE118-VE120 VE147-VE170 VF171-VF180 VK012-VK020 VK131-VK140 VN016-VN050 VN301-VN340 VS196-VS199
13	24	PV	SM00047		W	31-51-11		D01433	32		N2	2		VF251-VF260 VK181-VK190 VL806-VL810 VL871-VL880 VL931-VL945 VN096-VN110 VN174-VN190 VN657-VN670 VN968-VN970 VR461-VR461 VS061-VS061 VS091-VS094 VS111-VS111 VS131-VS132 VS176-VS177 VS186-VS187 VS206-VS207 VS261-VS262
13	24	PV	SM00047		W	31-51-11		D01433	32		N2	1		VA001-VB328 VB371-VB410 VB421-VB440 VB451-VB085 VE101-VE117 VE121-VE146 VF001-VF011 VF021-VF050 VK001-VK011 VK021-VK045 VK081-VK089 VL001-VL011 VN001-VN015 VN051-VN054 VN081-VN085

286T0045-101
Wire Bundle Assembly
Figure 101 (Sheet 14)

25-71-02

WIRE		FROM EQUIPMENT			TO EQUIPMENT			WIRE INFO						
NUMBER	GA	TYP	NUMBER	TERM	TT	WD	REF	NUMBER	TERM	TT	EMC/SEP	FT	NOTE	EFFECTIVITY
013Z			D00811	DED		31-51-11	D01433				N2			VB329-VB370 VB441-VB450 VE086-VE100 VE118-VE120 VE147-VE180 VF051-VF110 VF161-VF180 VF251-VF260 VK012-VK020 VK046-VK080 VK090-VK190 VL012-VL040 VL701-VL790 VL796-VL810 VL871-VL880 VL891-VL945 VM999-VM999 VN016-VN050 VN055-VN080 VN086-VN340 VN371-VN960 VN966-VN990 VR401-VR401 VR421-VR421 VR426-VR427 VR461-VR461 VR471-VR471 VS051-VS052 VS061-VS061 VS066-VS070 VS073-VS073 VS091-VS094 VS111-VS111 VS131-VS132 VS176-VS177 VS186-VS187 VS196-VS199 VS206-VS207 VS246-VS248 VS261-VS262 VS266-VS268
013Z			SM00047	REF		31-51-11	D01433				N2			VA001-VB328 VB371-VB410 VB421-VB440 VB451-VE085 VE101-VE117 VE121-VE146 VF001-VF011 VF021-VF050 VK001-VK011 VK021-VK045 VK081-VK089 VL001-VL011 VN001-VN015 VN051-VN054 VN081-VN085
14	24	PV	D00811	23		31-51-11	D01433	17			N2	4		VB329-VB370 VB441-VB450 VE086-VE100 VE147-VE180 VF051-VF110 VF161-VF180 VK046-VK080 VK090-VK180 VL012-VL040 VL701-VL790 VL796-VL805 VL891-VL930 VM999-VM999 VN055-VN080 VN111-VN173 VN191-VN300 VN371-VN656 VN671-VN960 VN966-VN967 VN971-VN990 VR401-VR401 VR421-VR421 VR426-VR427 VR471-VR471 VS051-VS052 VS066-VS070 VS073-VS073 VS246-VS248 VS266-VS268
14	24	PV	SM00049	W		31-51-11	D01433	17			N2	4		VE118-VE120 VK012-VK020 VN016-VN050 VN301-VN340 VS196-VS199

286T0045-101
Wire Bundle Assembly
Figure 101 (Sheet 15)

25-71-02



BOEING
COMPONENT
MAINTENANCE MANUAL

WIRE		FROM EQUIPMENT			TO EQUIPMENT			WIRE INFO			
NUMBER	GA	TYP	NUMBER	TERM TT	WD REF	NUMBER	TERM TT	EMC / SEP	FT	NOTE	EFFECTIVITY
14	24	PV	SM00049	W	31-51-11	D01433	17	N2	2		VF251-VF260 VK181-VK190 VL806-VL810 VL871-VL880 VL931-VL945 VN096-VN110 VN174-VN190 VN657-VN670 VN968-VN970 VR461-VR461 VS061-VS061 VS091-VS094 VS111-VS111 VS131-VS132 VS176-VS177 VS186-VS187 VS206-VS207 VS261-VS262
14	24	PV	SM00049	W	31-51-11	D01433	17	N2	1		VN086-VN095
14	24	PV	SM00049	W	31-51-11	D01433	17	N2	3		VA001-VB328 VB371-VB410 VB421-VB440 VB451-VB085 VE101-VE117 VE121-VE146 VF001-VF011 VF021-VF050 VK001-VK011 VK021-VK045 VK081-VK089 VL001-VL011 VN001-VN015 VN051-VN054 VN081-VN085
014Z			D00811	DED	31-51-11	D01433		N2			VB329-VB370 VB441-VB450 VE086-VE100 VE118-VE120 VE147-VE180 VF051-VF110 VF161-VF180 VF251-VF260 VK012-VK020 VK046-VK080 VK090-VK190 VL012-VL040 VL701-VL790 VL796-VL810 VL871-VL880 VL891-VL945 VM999-VM999 VN016-VN050 VN055-VN080 VN086-VN340 VN371-VN960 VN966-VN990 VR401-VR401 VR421-VR421 VR426-VR427 VR461-VR461 VR471-VR471 VS051-VS052 VS061-VS061 VS066-VS070 VS073-VS073 VS091-VS094 VS111-VS111 VS131-VS132 VS176-VS177 VS186-VS187 VS196-VS199 VS206-VS207 VS246-VS248 VS261-VS262 VS266-VS268

286T0045-101
Wire Bundle Assembly
Figure 101 (Sheet 16)

25-71-02

WIRE		FROM EQUIPMENT			TO EQUIPMENT			WIRE INFO						
NUMBER	GA	TYP	NUMBER	TERM	TT	WD	REF	NUMBER	TERM	TT	EMC/SEP	FT	NOTE	EFFECTIVITY
014Z			SM00049	REF		31-51-11		D01433			N2			VA001-VB410 VB421-VE117 VE121-VE180 VF001-VF011 VF021-VF110 VF161-VF180 VK001-VK160 VK171-VK180 VL001-VL040 VL701-VL790 VL796-VL805 VL891-VL930 VM999-VN095 VN151-VN173 VN191-VN340 VN371-VN375 VN381-VN530 VN631-VN656 VN671-VN820 VN921-VN960 VN966-VN967 VN971-VN990 VR401-VR401 VR421-VR421 VR426-VR427 VR471-VR471 VS051-VS052 VS066-VS070 VS073-VS073 VS196-VS199 VS266-VS268
15	22	PA	D01433	14		31-51-11		GDX0001	D..	2	N2	3		VE118-VE120 VK161-VK170 VN111-VN150 VN376-VN380 VN531-VN630 VN821-VN920 VS246-VS248
15	22	PA	D01433	14		31-51-11		GDX0001	D..	2	N2	3		VF251-VF260 VK181-VK190 VL806-VL810 VL871-VL880 VL931-VL945 VN096-VN110 VN174-VN190 VN657-VN670 VN968-VN970 VR461-VR461 VS061-VS061 VS091-VS094 VS111-VS111 VS131-VS132 VS176-VS177 VS186-VS187 VS206-VS207 VS261-VS262
15	22	PA	D01433	14		31-51-11		GDX0001	D..	2	N2	2		VA001-VB410 VB421-VE180 VF001-VF011 VF021-VF110 VF161-VF180 VK001-VK180 VL001-VL040 VL701-VL790 VL796-VL805 VL891-VL930 VM999-VN095 VN111-VN173 VN191-VN340 VN371-VN656 VN671-VN960 VN966-VN967 VN971-VN990 VR401-VR401 VR421-VR421 VR426-VR427 VR471-VR471 VS051-VS052 VS066-VS070 VS073-VS073 VS196-VS199 VS246-VS248 VS266-VS268
16	20	PA	SM00028	W		31-51-11		GDX0005	D..	2	N2			VF251-VF260 VK181-VK190 VL806-VL810 VL871-VL880 VL931-VL945 VN096-VN110 VN174-VN190 VN657-VN670 VN968-VN970 VR461-VR461 VS061-VS061 VS091-VS094 VS111-VS111 VS131-VS132 VS176-VS177 VS186-VS187 VS206-VS207 VS261-VS262
17	20	UA	GDX0002	S..	2	31-51-11		D00821			N2	3		VA001-VB410 VB421-VE180 VF001-VF011 VF021-VF110 VF161-VF180 VK001-VK180 VL001-VL040 VL701-VL790 VL796-VL805 VL891-VL930 VM999-VN095 VN111-VN173 VN191-VN340 VN371-VN656 VN671-VN960 VN966-VN967 VN971-VN990 VR401-VR401 VR421-VR421 VR426-VR427 VR471-VR471 VS051-VS052 VS066-VS070 VS073-VS073 VS196-VS199 VS246-VS248 VS266-VS268

286T0045-101
Wire Bundle Assembly
Figure 101 (Sheet 17)

25-71-02



BOEING
COMPONENT
MAINTENANCE MANUAL

WIRE		FROM EQUIPMENT			TO EQUIPMENT			WIRE INFO		
NUMBER	GA TYP	NUMBER	TERM TT	WD REF	NUMBER	TERM TT	EMC / SEP	FT	NOTE	EFFECTIVITY
17	20 UA	GDX0002	S.. 2	31-51-11	D00821		N2	2		VA001-VB410 VB421-VE180 VF001-VF011 VF021-VF110 VF161-VF180 VK001-VK180 VL001-VL040 VL701-VL790 VL796-VL805 VL891-VL930 VM999-VN095 VN111-VN173 VN191-VN340 VN371-VN656 VN671-VN960 VN966-VN967 VN971-VN990 VR401-VR401 VR421-VR421 VR426-VR427 VR471-VR471 VS051-VS052 VS066-VS070 VS073-VS073 VS196-VS199 VS246-VS248 VS266-VS268
18	20 UA	GDX0005	S.. 2	31-51-11	D00819		N2	3		VF251-VF260 VK181-VK190 VL806-VL810 VL871-VL880 VL931-VL945 VN096-VN110 VN174-VN190 VM657-VN670 VN968-VN970 VR461-VR461 VS061-VS061 VS091-VS094 VS111-VS111 VS131-VS132 VS176-VS177 VS186-VS187 VS206-VS207 VS261-VS262
18	20 UA	GDX0005	S.. 2	31-51-11	D00819		N2	2		VA001-VB410 VB421-VE180 VF001-VF011 VF021-VF110 VF161-VF180 VK001-VK180 VL001-VL040 VL701-VL790 VL796-VL805 VL891-VL930 VM999-VN095 VN111-VN173 VN191-VN340 VN371-VN656 VN671-VN960 VN966-VN967 VN971-VN990 VR401-VR401 VR421-VR421 VR426-VR427 VR471-VR471 VS051-VS052 VS066-VS070 VS073-VS073 VS196-VS199 VS246-VS248 VS266-VS268
19	20 UA	D01433	S.. 2	31-51-11	GDX0002	S..	N2	3		VF251-VF260 VK181-VK190 VL806-VL810 VL871-VL880 VL931-VL945 VN096-VN110 VN174-VN190 VM657-VN670 VN968-VN970 VR461-VR461 VS061-VS061 VS091-VS094 VS111-VS111 VS131-VS132 VS176-VS177 VS186-VS187 VS206-VS207 VS261-VS262
19	20 UA	D01433	S.. 2	31-51-11	GDX0002	S..	N2	2		VF251-VF260 VK181-VK190 VL806-VL810 VL871-VL880 VL931-VL945 VN096-VN110 VN174-VN190 VM657-VN670 VN968-VN970 VR461-VR461 VS061-VS061 VS091-VS094 VS111-VS111 VS131-VS132 VS176-VS177 VS186-VS187 VS206-VS207 VS261-VS262

286T0045-101
Wire Bundle Assembly
Figure 101 (Sheet 18)

25-71-02

WIRE		FROM EQUIPMENT			TO EQUIPMENT			WIRE INFO						
NUMBER	GA	TYP	NUMBER	TERM	TT	WD REF	NUMBER	TERM	TT	SEP	EMC/	FT	NOTE	EFFECTIVITY
20	20	PA	GDX0005	D..	2	31-51-11	SM00029		W	N2				VA001-VB410 VB421-VE180 VF001-VF011 VF021-VF110 VF161-VF180 VK001-VK180 VL001-VL040 VL701-VL790 VL796-VL805 VL891-VL930 VM999-VN095 VN111-VN173 VN191-VN340 VN371-VN656 VN671-VN960 VN966-VN967 VN971-VN990 VR401-VR401 VR421-VR421 VR426-VR427 VR471-VR471 VS051-VS052 VS066-VS070 VS073-VS073 VS196-VS199 VS246-VS248 VS266-VS268
21	20	UA	GDX0002	S..	2	31-51-11	D01503			N2	4			VF251-VF260 VK181-VK190 VL806-VL810 VL871-VL880 VL931-VL945 VN096-VN110 VN174-VN190 VN657-VN670 VN968-VN970 VR461-VR461 VS061-VS061 VS091-VS094 VS111-VS111 VS131-VS132 VS176-VS177 VS186-VS187 VS206-VS207 VS261-VS262
21	20	UA	GDX0002	S..	2	31-51-11	D01503			N2	2			VA001-VA001 VA701-VA712 VB001-VB002 VB051-VB055 VB201-VB202 VB281-VB284 VB321-VB322 VB401-VB401 VE041-VE043 VE061-VE068 VE116-VE116
22	20	UA	GDX0002	S..	2	31-51-11	N00112			N2	4			VA002-VA020 VA501-VA519 VA801-VA810 VB301-VB302 VE021-VE023 VE101-VE103
22	20	UA	GDX0002	S..	2	31-51-11	D11553			N2	4			VA001-VB410 VB421-VE180 VF001-VF011 VF021-VF110 VF161-VF180 VK001-VK180 VL001-VL040 VL701-VL790 VL796-VL805 VL891-VL930 VM999-VN095 VN111-VN173 VN191-VN340 VN371-VN656 VN671-VN960 VN966-VN967 VN971-VN990 VR401-VR401 VR421-VR421 VR426-VR427 VR471-VR471 VS051-VS052 VS066-VS070 VS073-VS073 VS196-VS199 VS246-VS248 VS266-VS268

286T0045-101
Wire Bundle Assembly
Figure 101 (Sheet 19)

25-71-02



BOEING
COMPONENT
MAINTENANCE MANUAL

WIRE		FROM EQUIPMENT			TO EQUIPMENT			WIRE INFO		
NUMBER	GA TYP	NUMBER	TERM TT	WD REF	NUMBER	TERM TT	EMC / SEP	FT	NOTE	EFFECTIVITY
23	20 UA	D00815		31-51-11	GDX0002	S.. 2	N2	3		VF251-VF260 VK181-VK190 VL806-VL810 VL871-VL880 VL931-VL945 VN096-VN110 VN174-VN190 VN657-VN670 VN968-VN970 VR461-VR461 VS061-VS061 VS091-VS094 VS111-VS111 VS131-VS132 VS176-VS177 VS186-VS187 VS206-VS207 VS261-VS262
23	20 UA	D00815		31-51-11	GDX0002	S.. 2	N2	2		VA001-VA001 VA021-VA300 VA316-VA500 VA520-VA800 VA811-VB300 VB302-VB370 VB374-VB410 VB421-VE020 VE024-VE100 VE104-VE180 VF001-VF011 VF021-VF110 VF161-VF180 VK001-VK180 VL001-VL040 VL701-VL790 VL796-VL805 VL891-VL930 VM999-VN095 VN111-VN173 VN191-VN340 VN371-VN656 VN671-VN960 VN966-VN967 VN971-VN990 VR401-VR401 VR421-VR421 VR426-VR427 VR471-VR471 VS051-VS052 VS066-VS070 VS073-VS073 VS196-VS199 VS246-VS248 VS266-VS268
24	24 PK	D04349J	38	31-51-11	SM00005	W	N2	3		VA002-VA020 VA301-VA315 VA501-VA519 VA801-VA810 VB301-VB301 VB371-VB373 VE021-VE023 VE101-VE103
24	24 PK	D04349J	38	31-51-11	SM00005	W	N2	3	MZK-F2	VF251-VF260 VK181-VK190 VL806-VL810 VL871-VL880 VL931-VL945 VN096-VN110 VN174-VN190 VN657-VN670 VN968-VN970 VR461-VR461 VS061-VS061 VS091-VS094 VS111-VS111 VS131-VS132 VS176-VS177 VS186-VS187 VS206-VS207 VS261-VS262

286T0045-101
Wire Bundle Assembly
Figure 101 (Sheet 20)

25-71-02

WIRES		FROM EQUIPMENT			TO EQUIPMENT			WIRES INFO					
NUMBER	GA	TYP	NUMBER	TERM	TT	WD REF	NUMBER	TERM	TT	EMC / SEP	FT	NOTE	EFFECTIVITY
24	24	PK	D04349J	38		31-51-11	SM00005			W N2	1		VA001-VB410 VB421-VE180 VF001-VF011 VF021-VF110 VF161-VF180 VK001-VK180 VL001-VL040 VL701-VL790 VL796-VL805 VL891-VL930 VM999-VN095 VN111-VN173 VN191-VN340 VN371-VN656 VN671-VN960 VN966-VN967 VN971-VN990 VR401-VR401 VR421-VR421 VR426-VR427 VR471-VR471 VS051-VS052 VS066-VS070 VS073-VS073 VS196-VS199 VS246-VS248 VS266-VS268
25	24	PK	D01503	A2		31-51-11	SM00005			W N2	3		VF251-VF260 VK181-VK190 VL806-VL810 VL871-VL880 VL931-VL945 VN096-VN110 VN174-VN190 VN657-VN670 VN968-VN970 VR461-VR461 VS061-VS061 VS091-VS094 VS111-VS111 VS131-VS132 VS176-VS177 VS186-VS187 VS206-VS207 VS261-VS262
25	24	PK	D01503	A2		31-51-11	SM00005			W N2	1		VA001-VB410 VB421-VE180 VF001-VF011 VF021-VF110 VF161-VF180 VK001-VK180 VL001-VL040 VL701-VL790 VL796-VL805 VL891-VL930 VM999-VN095 VN111-VN173 VN191-VN340 VN371-VN656 VN671-VN960 VN966-VN967 VN971-VN990 VR401-VR401 VR421-VR421 VR426-VR427 VR471-VR471 VS051-VS052 VS066-VS070 VS073-VS073 VS196-VS199 VS246-VS248 VS266-VS268
26	20	PA	D01503	A3		31-51-11	GDX0003 D..	2		N2	4		VF251-VF260 VK181-VK190 VL806-VL810 VL871-VL880 VL931-VL945 VN096-VN110 VN174-VN190 VN657-VN670 VN968-VN970 VR461-VR461 VS061-VS061 VS091-VS094 VS111-VS111 VS131-VS132 VS176-VS177 VS186-VS187 VS206-VS207 VS261-VS262

286T0045-101
Wire Bundle Assembly
Figure 101 (Sheet 21)

25-71-02



BOEING
COMPONENT
MAINTENANCE MANUAL

WIRES		FROM EQUIPMENT			TO EQUIPMENT			WIRE INFO		
NUMBER	GA TYP	NUMBER	TERM TT	WD REF	NUMBER	TERM TT	EMC/SEP	FT	NOTE	EFFECTIVITY
26	20 PA	D01503	A3	31-51-11	GDX0003	D..	N2	2		VA001-VB410 VB421-VE180 VF001-VF011 VF021-VF110 VF161-VF180 VK001-VK180 VL001-VL040 VL701-VL790 VL796-VL805 VL891-VL930 VM999-VN095 VN111-VN173 VN191-VN340 VN371-VN656 VN671-VN960 VN966-VN967 VN971-VN990 VR401-VR401 VR421-VR421 VR426-VR427 VR471-VR471 VS051-VS052 VS066-VS070 VS073-VS073 VS196-VS199 VS246-VS248 VS266-VS268
27	22 PQ	D01503	X2	31-51-11	D00811	75	N2	5		VF251-VF260 VK181-VK190 VL806-VL810 VL871-VL880 VL931-VL945 VN096-VN110 VN174-VN190 VN657-VN670 VN968-VN970 VR461-VR461 VS111-VS111 VS131-VS132 VS177-VS177 VS186-VS187 VS206-VS207
27	22 PQ	D01503	X2	31-51-11	D00811	75	N2	3		VS061-VS061 VS091-VS094 VS176-VS176 VS261-VS262
27	22 PQ	D01503	X2	31-51-11	D00811	75	N2	4		VA001-VA300 VA316-VB100 VB124-VB370 VB374-VB410 VB421-VE180 VF001-VF011 VF021-VF110 VF161-VF180 VK001-VK180 VL001-VL040 VL701-VL790 VL796-VL805 VL891-VL930 VM999-VN095 VN111-VN173 VN191-VN340 VN371-VN656 VN671-VN960 VN966-VN967 VN971-VN990 VR401-VR401 VR421-VR421 VR426-VR427 VR471-VR471 VS051-VS052 VS066-VS070 VS073-VS073 VS196-VS199 VS246-VS248 VS266-VS268
28	24 PV	D01503	X1	31-51-11	SM00015	W	N2	3		VA301-VA315 VB101-VB123 VB371-VB373 VF251-VF260 VK181-VK190 VL806-VL810 VL871-VL880 VL931-VL945 VN096-VN110 VN174-VN190 VN657-VN670 VN968-VN970 VR461-VR461 VS061-VS061 VS091-VS094 VS111-VS111 VS131-VS132 VS176-VS177 VS186-VS187 VS206-VS207 VS261-VS262
28	24 PV	D01503	X1	31-51-11	SM00015	W	N2	3	MZK-T2	

286T0045-101
Wire Bundle Assembly
Figure 101 (Sheet 22)

25-71-02

TESTING & TROUBLE SHOOTING

01 Page 1100

Nov 01/02

WIRE			FROM EQUIPMENT			TO EQUIPMENT			WIRE INFO		
NUMBER	GA	TYP	NUMBER	TERM TT	WD REF	NUMBER	TERM TT	EMC / SEP	FT	NOTE	EFFECTIVITY
28	24	PV	D01503	X1	31-51-11	SM00015	W	N2	1		VA001-VA300 VA316-VE100 VB124-VB370 VB374-VB410
			SM00015	REF	31-51-11	D01503		N2			VB421-VE180 VF001-VF011 VF021-VF110 VF161-VF180
29	24	PV	D00811	46	31-51-11	SM00015	W	N2	3		VR001-VK180 VL001-VL040 VL701-VL790 VL796-VL805
			D00811	46	31-51-11	SM00015	W	N2	3	MZK-T2	VL891-VL930 VMS99-VN095 VN111-VN173 VN191-VN340
29	24	PV	D00811	46	31-51-11	SM00015	W	N2	2		VN371-VN656 VN671-VN960 VN966-VN967 VN971-VN990
			SM00015	REF	31-51-11	D00811	DEB	N2			VR401-VR401 VR421-VR421 VR426-VR427 VR471-VR471
29	24	PV	D00811	46	31-51-11	SM00015	W	N2	2		VS051-VS052 VS066-VS070 VS073-VS073 VS196-VS199
			SM00015	REF	31-51-11	D00811	DEB	N2			VS246-VS248 VS266-VS268
29	24	PV	D00811	46	31-51-11	SM00015	W	N2	3		VA301-VA315 VB101-VB123 VB371-VB373
			SM00015	REF	31-51-11	SM00015	DEB	N2			VF251-VF260 VK181-VK190 VL806-VL810 VL871-VL880
29	24	PV	D00811	46	31-51-11	SM00015	W	N2	2		VL931-VL945 VN096-VN110 VN174-VN190 VN657-VN670
			SM00015	REF	31-51-11	SM00015	DEB	N2			VN968-VN970 VR461-VR461 VS111-VS111 VS131-VS132
29	24	PV	D00811	46	31-51-11	SM00015	W	N2	2		VS177-VS177 VS186-VS187 VS206-VS207
			SM00015	REF	31-51-11	SM00015	DEB	N2			VS061-VS061 VS091-VS094 VS176-VS176 VS261-VS262
30	24	PV	D00811	46	31-51-11	SM00015	W	N2	3	EBS-T8	VA001-VA001 VA701-VA712 VB001-VB002 VB051-VB055
			SM00015	REF	31-51-11	SM00015	DEB	N2			VB201-VB202 VB281-VB284 VB321-VB322 VB401-VB401
30	24	PV	D00811	46	31-51-11	SM00015	W	N2	3		VE041-VE043 VE061-VE068 VE116-VE116
			SM00015	REF	31-51-11	SM00015	DEB	N2			VA002-VA020 VA501-VA519 VA801-VA810 VB251-VB253
30	24	PV	D00811	46	31-51-11	SM00015	W	N2	3		VB301-VB301 VE021-VE023 VE101-VE103 VE117-VE117
			SM00015	REF	31-51-11	SM00015	DEB	N2			

286T0045-101
Wire Bundle Assembly
Figure 101 (Sheet 23)

25-71-02



BOEING
COMPONENT
MAINTENANCE MANUAL

WIRE		FROM EQUIPMENT			TO EQUIPMENT			WIRE INFO		
NUMBER	GA TYP	NUMBER	TERM FT	WD REF	NUMBER	TERM FT	EMC / SEP	FT	NOTE	EFFECTIVITY
30	24	PV SM00015	W	31-51-11	D11553	35	N2	3	MPP-F2	VA021-VA300 VA316-VA500 VA520-VA700 VA713-VA800 VA811-VA999 VB003-VB050 VB056-VB100 VB124-VB200 VB203-VB250 VB254-VB280 VB285-VB300 VB303-VB320 VB325-VB370 VB374-VB400 VB402-VB410 VB421-VB999 VE003-VE020 VE024-VE040 VE044-VE060 VE069-VE100 VE104-VE115 VE118-VE180 VF001-VF011 VF021-VF110 VF161-VF180 VK001-VK180 VL001-VL040 VL701-VL790 VL796-VL805 VL911-VL930 VM999-VN095 VN111-VN173 VN191-VN340 VN371-VN656 VN671-VN960 VN966-VN967 VN971-VN990 VR401-VR401 VR421-VR421 VR426-VR427 VR471-VR471 VS051-VS052 VS066-VS070 VS073-VS073 VS196-VS199 VS246-VS248 VS266-VS268
30	24	PK SM00015	W	31-51-11	D11553	35	N2	3		VA301-VA315 VB371-VB373
30	24	PK SM00015	W	31-51-11	D11553	35	N2	3	MHE-F2	VB101-VB123
30	24	PK SM00015	W	31-51-11	D11553	35	N2	3	MHE-F2	VB302-VB302
30	24	PV SM00015	W	31-51-11	D11553	35	N2	3	EBS-F8	VB323-VB324 VE001-VE002
30	24	PV SM00015	W	31-51-11	D11553	35	N2	3	EBS-F8	VF251-VF260 VK181-VK190 VL806-VL810 VL871-VL880 VL931-VL945 VN096-VN110 VN174-VN190 VN657-VN670 VN968-VN970 VR461-VR461 VS061-VS061 VS091-VS094 VS111-VS111 VS131-VS132 VS176-VS177 VS186-VS187 VS206-VS207 VS261-VS262
30	24	PK SM00015	W	31-51-11	D11553	35	N2	1		VL891-VL910
30	24	PK SM00015	W	31-51-11	D11553	35	N2	3		VA001-VA001 VA701-VA712 VB001-VB002 VB051-VB055 VB201-VB202 VB281-VB284 VB321-VB322 VB401-VB401 VE041-VE043 VE061-VE068 VE116-VE116
030Z		SM00015	REF	31-51-11	N00112	DED	N2			VA002-VA020 VA501-VA519 VA801-VA810 VB251-VB253 VB301-VB302 VB323-VB324 VE001-VE002 VE021-VE023 VE101-VE103 VE117-VE117

286T0045-101
Wire Bundle Assembly
Figure 101 (Sheet 24)

25-71-02

WIRE		FROM EQUIPMENT			TO EQUIPMENT			WIRE INFO			
NUMBER	GA	TYP	NUMBER	TERM TT	WD REF	NUMBER	TERM TT	EMC/SEP	FT	NOTE	EFFECTIVITY
030Z			SM00015	REF	31-51-11	D11553	DED	N2			VA001-VA001 VA701-VA712 VB001-VB002 VB051-VB055 VB201-VB202 VB281-VB284 VB321-VB322 VB401-VB401 VE041-VE043 VE061-VE068 VE116-VE116
31	24	PK	N00112	3 \$	31-51-11	S00560	INO	Z N2	2		VA001-VA001 VA701-VA712 VB001-VB002 VB051-VB055 VB201-VB202 VB281-VB284 VB321-VB322 VB401-VB401 VE041-VE043 VE061-VE068 VE116-VE116
32	20	PA	S00560	1C Z2	31-51-11	GDX0003	D..	N2	4		VA002-VA020 VA501-VA519 VA801-VA810 VB251-VB253 VB301-VB301 VB323-VB324 VE001-VE002 VE021-VE023 VE101-VE103 VE117-VE117
32	20	PA	D11553	11	31-51-11	GDX0003	D..	N2	4	MFP-F2	VA021-VA300 VA316-VA500 VA520-VA700 VA713-VA800 VA811-VA999 VB003-VB050 VB056-VB100 VB124-VB200 VB203-VB250 VB254-VB280 VB285-VB300 VB303-VB320 VB325-VB370 VB374-VB400 VB402-VB410 VB421-VD999 VE003-VE020 VE024-VE040 VE044-VE060 VE069-VE100 VE104-VE115 VE118-VE180 VF001-VF011 VF021-VF110 VF161-VF180
32	20	PA	D11553	11	31-51-11	GDX0003	D..	N2	4		VA301-VA315 VB371-VB373
32	20	PA	D11553	11	31-51-11	GDX0003	D..	N2	4	MZK-F2	VB101-VB123 VB302-VB302 VK001-VK180 VL001-VL040 VL701-VL790 VL796-VL805 VL911-VL930 VM999-VN095 VN111-VN173 VN191-VN340 VN371-VN656 VN671-VN960 VN966-VN967 VN971-VN990 VR401-VR401 VR421-VR421 VR426-VR427 VR471-VR471 VS051-VS052 VS066-VS070 VS073-VS073 VS196-VS199 VS246-VS248 VS266-VS268
32	20	PA	D11553	11	31-51-11	GDX0003	D..	N2	4		VF251-VF260

 286T0045-101
 Wire Bundle Assembly
 Figure 101 (Sheet 25)

25-71-02



BOEING
COMPONENT
MAINTENANCE MANUAL

WIRE		FROM EQUIPMENT			TO EQUIPMENT			WIRE INFO		
NUMBER	GA TYP	NUMBER	TERM TT	WD REF	NUMBER	TERM TT	EMC/SEP	FT	NOTE	EFFECTIVITY
32	20 PA	D11553	11	31-51-11	GDX0003	D..	2 N2	2		VK181-VK190 VL806-VL810 VL871-VL880 VL931-VL945 VM096-VN110 VN174-VN190 VM657-VN670 VN968-VN970 VR461-VR461 VS061-VS061 VS091-VS094 VS111-VS111 VS131-VS132 VS176-VS177 VS186-VS187 VS206-VS207 VS261-VS262 VL891-VL910 VA001-VA001 VA701-VA712 VB001-VB002 VB051-VB055 VB201-VB202 VB281-VB284 VB321-VB322 VB401-VB401 VE041-VE043 VE061-VE068 VE116-VE116
32	20 PA	D11553	11	31-51-11	GDX0003	D..	2 N2	2		
32	20 PA	D11553	11	31-51-11	GDX0003	D..	2 N2	4		
33	24 PV	N00112	1 \$	31-51-11	D00811	34	N2	5		VA002-VA020 VA501-VA519 VA801-VA810 VB251-VB253 VB301-VB301 VB323-VB324 VE001-VE002 VE021-VE023 VE101-VE103
33	24 PV	D11553	37	31-51-11	D00811	34	N2	5	MPP-F2	VA021-VA300 VA316-VA500 VA520-VA700 VA713-VA800 VA811-VA999 VB003-VB050 VB056-VB200 VB203-VB250 VB254-VB280 VB285-VB300 VB303-VB320 VB325-VB400 VB402-VB410 VB421-VD999 VE003-VE020 VE024-VE040 VE044-VE060 VE069-VE100 VE104-VE115 VE118-VE180 VF001-VF011 VF021-VF110 VF161-VF180
33	24 PK	D11553	37	31-51-11	D00811	34	N2	5		VA301-VA315 VK001-VK180 VL001-VL040 VL701-VL790 VL796-VL805 VL891-VL930 VM999-VN095 VN111-VN173 VN191-VN340 VN371-VN656 VN671-VN960 VN966-VN967 VN971-VN990 VR401-VR401 VR421-VR421 VR426-VR427 VR471-VR471 VS051-VS052 VS066-VS070 VS073-VS073 VS196-VS199 VS246-VS248 VS266-VS268
33	24 PK	D11553	37	31-51-11	D00811	34	N2	5		VB302-VB302
33	24 PV	D11553	37	31-51-11	D00811	34	N2	5		VE117-VE117
33	24 PK	D11553	37	31-51-11	D00811	34	N2	5	MPP-F2	VF251-VF260

286T0045-101
Wire Bundle Assembly
Figure 101 (Sheet 26)

25-71-02

WIRE		FROM EQUIPMENT			TO EQUIPMENT			WIRE INFO					
NUMBER	GA	TYP	NUMBER	TERM	TT	WD REF	NUMBER	TERM	TT	SEP	FT	NOTE	EFFECTIVITY
33	24	PK	D11553	37		31-51-11	D00811	34		N2	3		VK181-VK190 VL806-VL810 VL871-VL880 VL931-VL945 VN096-VN110 VN174-VN190 VN657-VN670 VN968-VN970 VR461-VR461 VS111-VS111 VS131-VS132 VS177-VS177 VS186-VS187 VS206-VS207 VS061-VS061 VS091-VS094 VS176-VS176 VS261-VS262
33	24	PK	D11553	37		31-51-11	D00811	34		N2	3		VA001-VA001 VA701-VA712 VB001-VB002 VB051-VB055 VB201-VB202 VB281-VB284 VB321-VB322 VB401-VB401 VE041-VE043 VE061-VE068 VE116-VE116
033Z			D00811	DED		31-51-11	M00112			N2			VA002-VA020 VA501-VA519 VA801-VA810 VB301-VB302 VE021-VE023 VE101-VE103
033Z			D00811	DED		31-51-11	D11553			N2			VB251-VB253 VB323-VB324 VE001-VE002
033Z			D00811	DED		31-51-11	D11553	DED		N2			VA001-VA001 VA701-VA712 VB001-VB002 VB051-VB055 VB201-VB202 VB281-VB284 VB321-VB322 VB401-VB401 VE041-VE043 VE061-VE068 VE116-VE116
34	24	PV	M00112	2	\$	31-51-11	D00811	33		N2	5		VA002-VA020 VA501-VA519 VA801-VA810 VB251-VB253 VB301-VB301 VB323-VB324 VE001-VE002 VE021-VE023 VE101-VE103
34	24	PV	D11553	36		31-51-11	D00811	33		N2	5	MPP-F2	VA021-VA300 VA316-VA500 VA520-VA700 VA713-VA800 VA811-VA999 VB003-VB050 VB056-VB100 VB124-VB200 VB203-VB250 VB254-VB280 VB285-VB300 VB303-VB320 VB325-VB400 VB402-VB410 VB421-VD999 VE003-VE020 VE024-VE040 VE044-VE060 VE069-VE100 VE104-VE115 VE118-VE180 VF001-VF011 VF021-VF110 VF161-VF180

286T0045-101
Wire Bundle Assembly
Figure 101 (Sheet 27)

25-71-02



BOEING
COMPONENT
MAINTENANCE MANUAL

WIRES		FROM EQUIPMENT			TO EQUIPMENT			WIRE INFO			
NUMBER	GA	TYP	NUMBER	TERM TT	WD REF	NUMBER	TERM TT	EMC/SEP	FT	NOTE	EFFECTIVITY
34	24	PK	D11553	36	31-51-11	D00811	33	N2	5		VA301-VA315 VK001-VK180 VL001-VL040 VL701-VL790 VL796-VL805 VL891-VL930 VM999-VN095 VN111-VN173 VN191-VN340 VN371-VN656 VN671-VN960 VN966-VN967 VN971-VN990 VR401-VR401 VR421-VR421 VR426-VR427 VR471-VR471 VS051-VS052 VS066-VS070 VS073-VS073 VS196-VS199 VS246-VS248 VS266-VS268
34	24	PK	D11553	36	31-51-11	D00811	33	N2	5		VB101-VB123
34	24	PK	D11553	36	31-51-11	D00811	33	N2	5		VB302-VB302
34	24	PV	D11553	36	31-51-11	D00811	33	N2	5		VE117-VE117
34	24	PK	D11553	36	31-51-11	D00811	33	N2	5	MPP-F2	VF251-VF260
34	24	PK	D11553	36	31-51-11	D00811	33	N2	3		VK181-VK190 VL806-VL810 VL871-VL880 VL931-VL945 VN096-VN110 VNL74-VN190 VN657-VN670 VN968-VN970 VR461-VR461 VS111-VS111 VS131-VS132 VS177-VS177 VS186-VS187 VS206-VS207
34	24	PK	D11553	36	31-51-11	D00811	33	N2	3		VS061-VS061 VS091-VS094 VS176-VS176 VS261-VS262
34	24	PK	D11553	36	31-51-11	D00811	33	N2	4		VA001-VA001 VA701-VA712 VB001-VB002 VB051-VB055 VB201-VB202 VB281-VB284 VB321-VB322 VB401-VB401 VE041-VE043 VE061-VE068 VE116-VE116
034Z			D00811	DED	31-51-11	N00112		N2			VA002-VA020 VA501-VA519 VA801-VA810 VB301-VB302 VE021-VE023 VE101-VE103
034Z			D00811	DED	31-51-11	D11553		N2			VB251-VB253 VB323-VB324 VE001-VE002
034Z			D00811	DED	31-51-11	D11553	DED	N2			VA001-VB410 VB421-VE180 VF001-VF011 VF021-VF110 VF161-VF180 VK001-VK180 VL001-VL040 VL701-VL790 VL796-VL805 VL891-VL930 VM999-VN095 VN111-VN173 VN191-VN340 VN371-VN656 VN671-VN960 VN966-VN967 VN971-VN990 VR401-VR401 VR421-VR421 VR426-VR427 VR471-VR471 VS051-VS052 VS066-VS070 VS073-VS073 VS196-VS199 VS246-VS248 VS266-VS268

286T0045-101
Wire Bundle Assembly
Figure 101 (Sheet 28)

25-71-02

WIRE		FROM EQUIPMENT			TO EQUIPMENT			WIRE INFO		
NUMBER	GA TYP	NUMBER	TERM FT	WD REF	NUMBER	TERM FT	EMC/SEP	FT	NOTE	EFFECTIVITY
35	22 PA	D00815	14	31-51-11	GDX0001	D.. 2	N2	4		VF251-VF260 VK181-VK190 VL806-VL810 VL871-VL880 VL931-VL945 VN096-VN110 VN174-VN190 VN657-VN670 VN968-VN970 VR461-VR461 VS061-VS061 VS091-VS094 VS111-VS111 VS131-VS132 VS176-VS177 VS186-VS187 VS206-VS207 VS261-VS262
35	22 PA	D00815	14	31-51-11	GDX0001	D.. 2	N2	2		VAA01-VB410 VB421-VE180 VF001-VF011 VF021-VF110 VF161-VF180 VK001-VK180 VL001-VL040 VL701-VL790 VL796-VL805 VL891-VL930 VM999-VN095 VN111-VN173 VN191-VN340 VN371-VN656 VN671-VN960 VN966-VN967 VN971-VN990 VR401-VR401 VR421-VR421 VR426-VR427 VR471-VR471 VS051-VS052 VS066-VS070 VS073-VS073 VS196-VS199 VS246-VS248 VS266-VS268
36	24 PV	D00815	27	31-51-11	D00811	12	N2	4		VF251-VF260 VK181-VK190 VL806-VL810 VL871-VL880 VL931-VL945 VN096-VN110 VN174-VN190 VN657-VN670 VN968-VN970 VR461-VR461 VS061-VS061 VS091-VS094 VS111-VS111 VS131-VS132 VS176-VS177 VS186-VS187 VS206-VS207 VS261-VS262
36	24 PV	D00815	27	31-51-11	D00811	12	N2	3		VAA01-VB410 VB421-VE180 VF001-VF011 VF021-VF110 VF161-VF180 VK001-VK180 VL001-VL040 VL701-VL790 VL796-VL805 VL891-VL930 VM999-VN095 VN111-VN173 VN191-VN340 VN371-VN656 VN671-VN960 VN966-VN967 VN971-VN990 VR401-VR401 VR421-VR421 VR426-VR427 VR471-VR471 VS051-VS052 VS066-VS070 VS073-VS073 VS196-VS199 VS246-VS248 VS266-VS268
036Z		D00811	DED	31-51-11	D00815		N2			

286T0045-101
Wire Bundle Assembly
Figure 101 (Sheet 29)

25-71-02



BOEING
COMPONENT
MAINTENANCE MANUAL

WIRE		FROM EQUIPMENT			TO EQUIPMENT			WIRE INFO			
NUMBER	GA	TYP	NUMBER	TERM TT	WD REF	NUMBER	TERM TT	EMC / SEP	FT	NOTE	EFFECTIVITY
37	24	PV	D00815	32	31-51-11	D00811	17	N2	4		VF251-VF260 VK181-VK190 VL806-VL810 VL871-VL880 VL931-VL945 VN096-VN110 VN174-VN190 VN657-VN670 VN968-VN970 VR461-VR461 VS061-VS061 VS091-VS094 VS111-VS111 VS131-VS132 VS176-VS177 VS186-VS187 VS206-VS207 VS261-VS262
37 037Z	24	PV	D00815 D00811	32 DED	31-51-11 31-51-11	D00811 D00815	17	N2 N2	3		VA001-VB410 VB421-VE180 VF001-VF011 VF021-VF110 VF161-VF180 VK001-VK180 VL001-VL040 VL701-VL790 VL796-VL805 VL891-VL930 VM999-VN095 VN111-VN173 VN191-VN340 VN371-VN656 VN671-VN960 VN966-VN967 VN971-VN990 VR401-VR401 VR421-VR421 VR426-VR427 VR471-VR471 VS051-VS052 VS066-VS070 VS073-VS073 VS196-VS199 VS246-VS248 VS266-VS268
38	24	PV	D00815	17	31-51-11	D00811	22	N2	4		VF251-VF260 VK181-VK190 VL806-VL810 VL871-VL880 VL931-VL945 VN096-VN110 VN174-VN190 VN657-VN670 VN968-VN970 VR461-VR461 VS061-VS061 VS091-VS094 VS111-VS111 VS131-VS132 VS176-VS177 VS186-VS187 VS206-VS207 VS261-VS262
38 038Z	24	PV	D00815 D00811	17 DED	31-51-11 31-51-11	D00811 D00815	22	N2 N2	3		VA001-VB410 VB421-VE180 VF001-VF011 VF021-VF110 VF161-VF180 VK001-VK180 VL001-VL040 VL701-VL790 VL796-VL805 VL891-VL930 VM999-VN095 VN111-VN173 VN191-VN340 VN371-VN656 VN671-VN960 VN966-VN967 VN971-VN990 VR401-VR401 VR421-VR421 VR426-VR427 VR471-VR471 VS051-VS052 VS066-VS070 VS073-VS073 VS196-VS199 VS246-VS248 VS266-VS268

286T0045-101
Wire Bundle Assembly
Figure 101 (Sheet 30)

25-71-02

WIRE		FROM EQUIPMENT			TO EQUIPMENT			WIRE INFO						
NUMBER	GA	TYP	NUMBER	TERM	TT	WD	REF	NUMBER	TERM	TT	EMC/SEP	FT	NOTE	EFFECTIVITY
39	24	PK	D00815	54		31-51-11		SM00020	W		N2	3		VF251-VF260 VK181-VK190 VL806-VL810 VL871-VL880 VL931-VL945 VN096-VN110 VN174-VN190 VN657-VN670 VN968-VN970 VR461-VR461 VS061-VS061 VS091-VS094 VS111-VS111 VS131-VS132 VS176-VS177 VS186-VS187 VS206-VS207 VS261-VS262
39	24	PK	D00815	54		31-51-11		SM00020	W		N2	1		VA001-VB410 VB421-VE180 VF001-VF011 VF021-VF110 VF161-VF180 VK001-VK180 VL001-VL040 VL701-VL790 VL796-VL805 VL891-VL930 VM999-VN095 VN111-VN173 VN191-VN340 VN371-VN656 VN671-VN960 VN966-VN967 VN971-VN990 VR401-VR401 VR421-VR421 VR426-VR427 VR471-VR471 VS051-VS052 VS066-VS070 VS073-VS073 VS196-VS199 VS246-VS248 VS266-VS268
40	24	PK	D00811	63		31-51-11		SM00020	W		N2	3		VF251-VF260 VK181-VK190 VL806-VL810 VL871-VL880 VL931-VL945 VN096-VN110 VN174-VN190 VN657-VN670 VN968-VN970 VR461-VR461 VS111-VS111 VS131-VS132 VS177-VS177 VS186-VS187 VS206-VS207
40	24	PK	D00811	63		31-51-11		SM00020	W		N2	2		VS061-VS061 VS091-VS094 VS176-VS176 VS261-VS262
40	24	PK	D00811	63		31-51-11		SM00020	W		N2	2		VA001-VA001 VA701-VA712 VB001-VB002 VB051-VB055 VB201-VB202 VB281-VB284 VB321-VB322 VB401-VB401 VE041-VE043 VE061-VE068 VE116-VE116
41	24	PK	D00823	36		31-51-11		SM00020	W		N2	2		VA002-VA020 VA301-VA315 VA501-VA530 VA801-VA810 VB101-VB123 VB301-VB301 VB371-VB373 VE021-VE023 VE101-VE103

286T0045-101
Wire Bundle Assembly
Figure 101 (Sheet 31)

25-71-02



BOEING
COMPONENT
MAINTENANCE MANUAL

WIRE		FROM EQUIPMENT			TO EQUIPMENT			WIRE INFO		
NUMBER	GA TYP	NUMBER	TERM TT	WD REF	NUMBER	TERM TT	EMC/SEP	FT	NOTE	EFFECTIVITY
41	24 PK	D00823	35	31-51-11	SM00020	W	N2	2	MZK-F2	VA021-VA300 VA316-VA500 VA531-VA700 VA713-VA800 VA811-VA999 VB003-VB050 VB056-VB100 VB124-VB200 VB203-VB280 VB285-VB300 VB302-VB320 VB323-VB370 VB374-VB400 VB402-VB410 VB421-VE020 VE024-VE040 VE044-VE060 VE069-VE100 VE104-VE115 VE117-VE180 VF001-VF011 VF021-VF110 VF161-VF180 VK001-VK180 VL001-VL040 VL701-VL790 VL796-VL805 VL891-VL930 VM999-VN095 VNI11-VN173 VN191-VN340 VN371-VN656 VM671-VN960 VN966-VN967 VN971-VN990 VR401-VR401 VR421-VR421 VR426-VR427 VR471-VR471 VS051-VS052 VS066-VS070 VS073-VS073 VS196-VS199 VS246-VS248 VS266-VS268
41	24 PK	D00823	35	31-51-11	SM00020	W	N2	2		VF251-VF260 VK181-VK190 VL806-VL810 VL871-VL880 VL931-VL945 VN096-VN110 VN174-VN190 VN657-VN670 VN968-VN970 VR461-VR461 VS061-VS061 VS091-VS094 VS111-VS111 VS131-VS132 VS176-VS177 VS186-VS187 VS206-VS207 VS261-VS262
41	24 PK	D00823	35	31-51-11	SM00020	W	N2	1		VA001-VA001 VA701-VA712 VB001-VB002 VB051-VB055 VB201-VB202 VB281-VB284 VB321-VB322 VB401-VB401 VE041-VE043 VE061-VE068 VE116-VE116

286T0045-101
Wire Bundle Assembly
Figure 101 (Sheet 32)

25-71-02

WIRE			FROM EQUIPMENT			TO EQUIPMENT			WIRE INFO			
NUMBER	GA	TYP	NUMBER	TERM	WD REF	NUMBER	TERM	WD REF	EMC/SEP	FT	NOTE	EFFECTIVITY
42	24	PK	D01381	36	31-51-11	SM00020	W	N2	2			VA002-VA300 VA316-VA700 VA713-VA999 VB003-VB050 VB056-VB100 VB124-VB200 VB203-VB280 VB285-VB320 VB323-VB370 VB374-VB400 VB402-VB410 VB421-VB040 VE044-VE060 VE069-VE115 VE117-VE180 VF001-VF011 VF021-VF110 VF161-VF180 VK001-VK180 VL001-VL040 VL701-VL790 VL796-VL805 VL891-VL930 VM999-VN095 VN111-VN173 VN191-VN340 VN371-VN656 VN671-VN960 VN966-VN967 VN971-VN990 VR401-VR401 VR421-VR421 VR426-VR427 VR471-VR471 VS051-VS052 VS066-VS070 VS073-VS073 VS196-VS199 VS246-VS248 VS266-VS268
42	24	PK	D01381	35	31-51-11	SM00020	W	N2	2			VA301-VA315 VB101-VB123 VB371-VB373
42	24	PK	D01381	35	31-51-11	SM00020	W	N2	2		MZK-F2	VF251-VF260 VK181-VK190 VL806-VL810 VL871-VL880 VL931-VL945 VN096-VN110 VN174-VN190 VN657-VN670 VN968-VN970 VR461-VR461 VS061-VS061 VS091-VS094 VS111-VS111 VS131-VS132 VS176-VS177 VS186-VS187 VS206-VS207 VS261-VS262
42	24	PK	D01381	35	31-51-11	SM00020	W	N2	1			VA001-VA001 VA701-VA712 VB001-VB002 VB051-VB055 VB201-VB202 VB281-VB284 VB321-VB322 VB401-VB401 VE041-VE043 VE061-VE068 VE116-VE116
43	22	PA	D01381	3	31-51-11	GDX0003 D..	2	N2	3			VA001-VA001 VA701-VA712 VB001-VB002 VB051-VB055 VB201-VB202 VB281-VB284 VB321-VB322 VB401-VB401 VE041-VE043 VE061-VE068 VE116-VE116

 286T0045-101
 Wire Bundle Assembly
 Figure 101 (Sheet 33)

25-71-02



BOEING
COMPONENT
MAINTENANCE MANUAL

WIRE			FROM EQUIPMENT			TO EQUIPMENT			WIRE INFO				
NUMBER	GA	TYP	NUMBER	TERM	FT	WD REF	NUMBER	TERM	FT	EMC / SEP	FT	NOTE	EFFECTIVITY
44	22	PA	D01381	10		31-51-11	GDX0003	D..	2	N2	3		VA001-VB410 VB421-VE180 VF001-VF011 VF021-VF110 VF161-VF180 VK001-VK180 VL001-VL040 VL701-VL790 VL796-VL805 VL891-VL930 VM999-VN095 VN111-VN173 VN191-VN340 VN371-VN656 VN671-VN960 VN966-VN967 VN971-VN990 VR401-VR401 VR421-VR421 VR426-VR427 VR471-VR471 VS051-VS052 VS066-VS070 VS073-VS073 VS196-VS199 VS246-VS248 VS266-VS268
45	22	PA	D01381	14		31-51-11	GDX0001	D..	2	N2	3		VF251-VF260 VK181-VK190 VL806-VL810 VL871-VL880 VL931-VL945 VN096-VN110 VN174-VN190 VN657-VN670 VN968-VN970 VR461-VR461 VS061-VS061 VS091-VS094 VS111-VS111 VS131-VS132 VS176-VS177 VS186-VS187 VS206-VS207 VS261-VS262
45	22	PA	D01381	14		31-51-11	GDX0001	D..	2	N2	2		VA001-VB410 VB421-VE180 VF001-VF011 VF021-VF110 VF161-VF180 VK001-VK180 VL001-VL040 VL701-VL790 VL796-VL805 VM999-VN095 VN111-VN173 VN191-VN340 VN371-VN656 VN671-VN960 VN966-VN967 VN971-VN990 VR401-VR401 VR421-VR421 VR426-VR427 VR471-VR471 VS066-VS070 VS073-VS073 VS196-VS199 VS246-VS248 VS266-VS268
46	22	PA	D01381	48		31-51-11	GDX0003	D..	2	N2	3		VF251-VF260 VK181-VK190 VL806-VL810 VL871-VL880 VL931-VL945 VN096-VN110 VN174-VN190 VN657-VN670 VN968-VN970 VR461-VR461 VS061-VS061 VS091-VS094 VS111-VS111 VS131-VS132 VS176-VS177 VS186-VS187 VS206-VS207 VS261-VS262
46	22	PA	D01381	48		31-51-11	GDX0003	D..	2	N2	2		VL891-VL930 VS051-VS052

286T0045-101
Wire Bundle Assembly
Figure 101 (Sheet 34)

25-71-02



COMPONENT
MAINTENANCE MANUAL

WIRE		FROM EQUIPMENT			TO EQUIPMENT			WIRE INFO						
NUMBER	GA	TYP	NUMBER	TERM	TT	WD REF	NUMBER	TERM	TT	SEP	EMC/	FT	NOTE	EFFECTIVITY
46	22	PA	D01381	48		31-51-11	GDX0004	D..	2	N2	3			VA001-VB410 VB421-VE180 VF001-VF011 VF021-VF110 VF161-VF180 VK001-VK180 VL001-VL040 VL701-VL790 VL796-VL805 VL891-VL930 VM999-VN095 VN111-VN173 VN191-VN340 VN371-VN656 VN671-VN960 VN966-VN967 VN971-VN990 VR401-VR401 VR421-VR421 VR426-VR427 VR471-VR471 VS051-VS052 VS066-VS070 VS073-VS073 VS196-VS199 VS246-VS248 VS266-VS268
47	24	PV	D01381	27		31-51-11	D00811	11		N2	4			VF251-VF260 VK181-VK190 VL806-VL810 VL871-VL880 VL931-VL945 VN096-VN110 VN174-VN190 VN657-VN670 VN968-VN970 VR461-VR461 VS111-VS111 VS131-VS132 VS177-VS177 VS186-VS187 VS206-VS207
47	24	PV	D01381	27		31-51-11	D00811	11		N2	3			VS061-VS061 VS091-VS094 VS176-VS176 VS261-VS262
47	24	PV	D01381	27		31-51-11	D00811	11		N2	3			VA001-VB410 VB421-VE180 VF001-VF011 VF021-VF110 VF161-VF180 VK001-VK180 VL001-VL040 VL701-VL790 VL796-VL805 VL891-VL930 VM999-VN095 VN111-VN173 VN191-VN340 VN371-VN656 VN671-VN960 VN966-VN967 VN971-VN990 VR401-VR401 VR421-VR421 VR426-VR427 VR471-VR471 VS051-VS052 VS066-VS070 VS073-VS073 VS196-VS199 VS246-VS248 VS266-VS268
047Z			D00811	DED		31-51-11	D01381			N2				
48	24	PV	D01381	32		31-51-11	D00811	16		N2	4			VF251-VF260 VK181-VK190 VL806-VL810 VL871-VL880 VL931-VL945 VN096-VN110 VN174-VN190 VN657-VN670 VN968-VN970 VR461-VR461 VS111-VS111 VS131-VS132 VS177-VS177 VS186-VS187 VS206-VS207
48	24	PV	D01381	32		31-51-11	D00811	16		N2	3			VS061-VS061 VS091-VS094 VS176-VS176 VS261-VS262
48	24	PV	D01381	32		31-51-11	D00811	16		N2	3			

286T0045-101
Wire Bundle Assembly
Figure 101 (Sheet 35)

25-71-02



BOEING
COMPONENT
MAINTENANCE MANUAL

WIRE			FROM EQUIPMENT				TO EQUIPMENT				WIRE INFO			
NUMBER	GA	TYP	NUMBER	TERM	TT	WD REF	NUMBER	TERM	TT	EMC/SEP	FT	NOTE	EFFECTIVITY	
048Z			D00811	DED		31-51-11	D01381			N2			VA001-VB410 VB421-VE180 VF001-VF011 VF021-VF110 VF161-VF180 VK001-VK180 VL001-VL040 VL701-VL790 VL796-VL805 VL891-VL930 VM999-VN095 VN111-VN173 VN191-VN340 VN371-VN656 VM671-VN960 VN966-VN967 VN971-VN990 VR401-VR401 VR421-VR421 VR426-VR427 VR471-VR471 VS051-VS052 VS066-VS070 VS073-VS073 VS196-VS199 VS246-VS248 VS266-VS268	
49	24	PV	D01381	17		31-51-11	D00811	21		N2	4		VF251-VF260 VK181-VK190 VL806-VL810 VL871-VL880 VL931-VL945 VN096-VN110 VN174-VN190 VN657-VN670 VN968-VN970 VR461-VR461 VS111-VS111 VS131-VS132 VS177-VS177 VS186-VS187 VS206-VS207	
49	24	PV	D01381	17		31-51-11	D00811	21		N2	3		VS061-VS061 VS091-VS094 VS176-VS176 VS261-VS262	
49	24	PV	D01381	17		31-51-11	D00811	21		N2	3		VA001-VA001 VA701-VA712 VB001-VB002 VB051-VB055 VB201-VB202 VB281-VB284 VB321-VB322 VB401-VB401 VE041-VE043 VE061-VE068 VE116-VE116	
049Z			D00811	DED		31-51-11	D01381			N2				
50	22	PA	D00823	3		31-51-11	GDX0003	D..	2	N2	3		VA001-VA001 VA701-VA712 VB001-VB002 VB051-VB055 VB201-VB202 VB281-VB284 VB321-VB322 VB401-VB401 VE041-VE043 VE061-VE068 VE116-VE116	

286T0045-101
Wire Bundle Assembly
Figure 101 (Sheet 36)

25-71-02

WIRE		FROM EQUIPMENT			TO EQUIPMENT			WIRE INFO					
NUMBER	GA	TYP	NUMBER	TERM	TT	WD REF	NUMBER	TERM	TT	EMC/SEP	FT	NOTE	EFFECTIVITY
51	22	PA	D00823	10		31-51-11	GDX0003	D..	2	N2	3		VA001-VB410 VB421-VE117 VE121-VE180 VF001-VF011 VF021-VF110 VF161-VF180 VK001-VK160 VK171-VK180 VL001-VL040 VL701-VL790 VL796-VL805 VL891-VL930 VM999-VN095 VN151-VN173 VN191-VN340 VN371-VN375 VN381-VN530 VN631-VN656 VN671-VN820 VN921-VN960 VN966-VN967 VN971-VN990 VR401-VR401 VR421-VR421 VR426-VR427 VR471-VR471 VS051-VS052 VS066-VS070 VS073-VS073 VS196-VS199 VS266-VS268
52	22	PA	D00823	14		31-51-11	GDX0001	D..	2	N2	3		VE118-VE120 VK161-VK170 VN111-VN150 VN376-VN380 VN531-VN630 VN821-VN920 VS246-VS248
52	22	PA	D00823	14		31-51-11	GDX0001	D..	2	N2	3		VF251-VF260 VK181-VK190 VL806-VL810 VL871-VL880 VL931-VL945 VN096-VN110 VN174-VN190 VN657-VN670 VN968-VN970 VR461-VR461 VS061-VS061 VS091-VS094 VS111-VS111 VS131-VS132 VS176-VS177 VS186-VS187 VS206-VS207 VS261-VS262
52	22	PA	D00823	14		31-51-11	GDX0001	D..	2	N2	2		VA001-VB410 VB421-VE180 VF001-VF011 VF021-VF110 VF161-VF180 VK001-VK180 VL001-VL040 VL701-VL790 VL796-VL805 VL891-VL930 VM999-VN095 VN111-VN173 VN191-VN340 VN371-VN656 VN671-VN960 VN966-VN967 VN971-VN990 VR401-VR401 VR421-VR421 VR426-VR427 VR471-VR471 VS051-VS052 VS066-VS070 VS073-VS073 VS196-VS199 VS246-VS248 VS266-VS268
53	22	PA	D00823	48		31-51-11	GDX0003	D..	2	N2	3		VF251-VF260 VK181-VK190 VL806-VL810 VL871-VL880 VL931-VL945 VN096-VN110 VN174-VN190 VN657-VN670 VN968-VN970 VR461-VR461 VS061-VS061 VS091-VS094 VS111-VS111 VS131-VS132 VS176-VS177 VS186-VS187 VS206-VS207 VS261-VS262

 286T0045-101
 Wire Bundle Assembly
 Figure 101 (Sheet 37)

25-71-02



BOEING
COMPONENT
MAINTENANCE MANUAL

WIRE		FROM EQUIPMENT		TO EQUIPMENT		WIRE INFO				
NUMBER	GA TYP	NUMBER	TERM TT	WD REF	NUMBER	TERM TT	EMC/SEP	FT	NOTE	EFFECTIVITY
53	22 PA	D00823	48	31-51-11	GDX0003	D.. 2	N2	2		VA001-VB410 VB421-VE180 VF001-VF011 VF021-VF110 VF161-VF180 VK001-VK180 VL001-VL040 VL701-VL790 VL796-VL805 VL891-VL930 VM999-VN095 VN111-VN173 VN191-VN340 VN371-VN656 VN671-VN960 VN966-VN967 VN971-VN990 VR401-VR401 VR421-VR421 VR426-VR427 VR471-VR471 VS051-VS052 VS066-VS070 VS073-VS073 VS196-VS199 VS246-VS248 VS266-VS268
54	24 PV	D00823	27	31-51-11	D00811	10	N2	4		VF251-VF260 VK181-VK190 VL806-VL810 VL871-VL880 VL931-VL945 VN096-VN110 VN174-VN190 VN657-VN670 VN968-VN970 VR461-VR461 VS111-VS111 VS131-VS132 VS177-VS177 VS186-VS187 VS206-VS207
54	24 PV	D00823	27	31-51-11	D00811	10	N2	3		VS061-VS061 VS091-VS094 VS176-VS176 VS261-VS262
54	24 PV	D00823	27	31-51-11	D00811	10	N2	3		VA001-VB410 VB421-VE180 VF001-VF011 VF021-VF110 VF161-VF180 VK001-VK180 VL001-VL040 VL701-VL790 VL796-VL805 VL891-VL930 VM999-VN095 VN111-VN173 VN191-VN340 VN371-VN656 VN671-VN960 VN966-VN967 VN971-VN990 VR401-VR401 VR421-VR421 VR426-VR427 VR471-VR471 VS051-VS052 VS066-VS070 VS073-VS073 VS196-VS199 VS246-VS248 VS266-VS268
054Z		D00811	DED	31-51-11	D00823		N2			
55	24 PV	D00823	32	31-51-11	D00811	15	N2	4		VF251-VF260 VK181-VK190 VL806-VL810 VL871-VL880 VL931-VL945 VN096-VN110 VN174-VN190 VN657-VN670 VN968-VN970 VR461-VR461 VS111-VS111 VS131-VS132 VS177-VS177 VS186-VS187 VS206-VS207
55	24 PV	D00823	32	31-51-11	D00811	15	N2	3		VS061-VS061 VS091-VS094 VS176-VS176 VS261-VS262
55	24 PV	D00823	32	31-51-11	D00811	15	N2	3		

286T0045-101
Wire Bundle Assembly
Figure 101 (Sheet 38)

25-71-02

WIRE			FROM EQUIPMENT				TO EQUIPMENT				WIRE INFO			
NUMBER	GA	TYP	NUMBER	TERM TT	WD REF	NUMBER	TERM TT	EMC/SEP	FT	NOTE	EFFECTIVITY			
055Z			D00811	DED	31-51-11	D00823		N2			VA001-VB410 VB421-VE180 VF001-VF011 VF021-VF110 VF161-VF180 VK001-VK180 VL001-VL040 VL701-VL790 VL796-VL805 VL891-VL930 VM999-VN095 VN111-VN173 VN191-VN340 VN371-VN656 VN671-VN960 VN966-VN967 VN971-VN990 VR401-VR421 VR421-VR421 VR426-VR427 VR471-VR471 VS051-VS052 VS066-VS070 VS073-VS073 VS196-VS199 VS246-VS248 VS266-VS268			
56	24	PV	D00823	17	31-51-11	D00811	20	N2	4		VF251-VF260 VK181-VK190 VL806-VL810 VL871-VL880 VL931-VL945 VN096-VN110 VN174-VN190 VN657-VN670 VN968-VN970 VR461-VR461 VS111-VS111 VS131-VS132 VS177-VS177 VS186-VS187 VS206-VS207			
56	24	PV	D00823	17	31-51-11	D00811	20	N2	3		VS061-VS061 VS091-VS094 VS176-VS176 VS261-VS262			
56	24	PV	D00823	17	31-51-11	D00811	20	N2	3		VA001-VB410 VB421-VE180 VF001-VF011 VF021-VF110 VF161-VF180 VK001-VK180 VL001-VL040 VL701-VL790 VL796-VL805 VL891-VL930 VM999-VN095 VN111-VN173 VN191-VN340 VN371-VN656 VN671-VN960 VN966-VN967 VN971-VN990 VR401-VR401 VR421-VR421 VR426-VR427 VR471-VR471 VS051-VS052 VS066-VS070 VS073-VS073 VS196-VS199 VS246-VS248 VS266-VS268			
056Z			D00811	DED	31-51-11	D00823		N2						
57	22	PA	D00817	14	31-51-11	GDX0002	D..	N2	4		VF251-VF260 VK181-VK190 VL806-VL810 VL871-VL880 VL931-VL945 VN096-VN110 VN174-VN190 VN657-VN670 VN968-VN970 VR461-VR461 VS061-VS061 VS091-VS094 VS111-VS111 VS131-VS132 VS176-VS177 VS186-VS187 VS206-VS207 VS261-VS262			

286T0045-101
Wire Bundle Assembly
Figure 101 (Sheet 39)

25-71-02



BOEING
COMPONENT
MAINTENANCE MANUAL

WIRE		FROM EQUIPMENT			TO EQUIPMENT			WIRE INFO		
NUMBER	GA TYP	NUMBER	TERM TT	WD REF	NUMBER	TERM TT	EMC/SEP	FT	NOTE	EFFECTIVITY
57	22 PA	D00817	14	31-51-11	GDX0002	D.. 2	N2	2		VA001-VB410 VB421-VE180 VF001-VF011 VF021-VF110 VF161-VF180 VK001-VK180 VL001-VL040 VL701-VL790 VL796-VL805 VL891-VL930 VM999-VN095 VN111-VN173 VN191-VN340 VN371-VN656 VN671-VN960 VN966-VN967 VN971-VN990 VR401-VR401 VR421-VR421 VR426-VR427 VR471-VR471 VS051-VS052 VS066-VS070 VS073-VS073 VS196-VS199 VS246-VS248 VS266-VS268
58	24 PV	D00817	27	31-51-11	D00811	51	N2	5		VF251-VF260 VK181-VK190 VL806-VL810 VL871-VL880 VL931-VL945 VN096-VN110 VN174-VN190 VN657-VN670 VN968-VN970 VR461-VR461 VS111-VS111 VS131-VS132 VS177-VS177 VS186-VS187 VS206-VS207
58	24 PV	D00817	27	31-51-11	D00811	51	N2	3		VS061-VS061 VS091-VS094 VS176-VS176 VS261-VS262
58	24 PV	D00817	27	31-51-11	D00811	51	N2	3		VA001-VB410 VB421-VE180 VF001-VF011 VF021-VF110 VF161-VF180 VK001-VK180 VL001-VL040 VL701-VL790 VL796-VL805 VL891-VL930 VM999-VN095 VN111-VN173 VN191-VN340 VN371-VN656 VN671-VN960 VN966-VN967 VN971-VN990 VR401-VR401 VR421-VR421 VR426-VR427 VR471-VR471 VS051-VS052 VS066-VS070 VS073-VS073 VS196-VS199 VS246-VS248 VS266-VS268
59	24 PV	D00817	32	31-51-11	D00811	74	N2	5		VF251-VF260 VK181-VK190 VL806-VL810 VL871-VL880 VL931-VL945 VN096-VN110 VN174-VN190 VN657-VN670 VN968-VN970 VR461-VR461 VS111-VS111 VS131-VS132 VS177-VS177 VS186-VS187 VS206-VS207
59	24 PV	D00817	32	31-51-11	D00811	74	N2	3		VS061-VS061 VS091-VS094 VS176-VS176 VS261-VS262
59	24 PV	D00817	32	31-51-11	D00811	74	N2	3		

286T0045-101
Wire Bundle Assembly
Figure 101 (Sheet 40)

25-71-02

WIRE			FROM EQUIPMENT			TO EQUIPMENT			WIRE INFO		
NUMBER	GA	TYP	NUMBER	TERM TT	WD REF	NUMBER	TERM TT	EMC/SEP	FT	NOTE	EFFECTIVITY
059Z			D00811	DED	31-51-11	D00817		N2			VA001-VB410 VB421-VE180 VF001-VF011 VF021-VF110 VF161-VF180 VK001-VK180 VL001-VL040 VL701-VL790 VL796-VL805 VL891-VL930 VM999-VN095 VN111-VN173 VN191-VN340 VN371-VN656 VN671-VN960 VN966-VN967 VN971-VN990 VR401-VR401 VR421-VR421 VR426-VR427 VR471-VR471 VS051-VS052 VS066-VS070 VS073-VS073 VS196-VS199 VS246-VS248 VS266-VS268
60	24	PK	D00817	45	31-51-11	SM00021	W	N2	3		VF251-VF260 VK181-VK190 VL806-VL810 VL871-VL880 VL931-VL945 VN096-VN110 VN174-VN190 VN657-VN670 VN968-VN970 VR461-VR461 VS061-VS061 VS091-VS094 VS111-VS111 VS131-VS132 VS176-VS177 VS186-VS187 VS206-VS207 VS261-VS262
60	24	PK	D00817	45	31-51-11	SM00021	W	N2	1		VA001-VB410 VB421-VE180 VF001-VF011 VF021-VF110 VF161-VF180 VK001-VK180 VL001-VL040 VL701-VL790 VL796-VL805 VL891-VL930 VM999-VN095 VN111-VN173 VN191-VN340 VN371-VN656 VN671-VN960 VN966-VN967 VN971-VN990 VR401-VR401 VR421-VR421 VR426-VR427 VR471-VR471 VS051-VS052 VS066-VS070 VS073-VS073 VS196-VS199 VS246-VS248 VS266-VS268
61	24	PK	D00811	64	31-51-11	SM00021	W	N2	3		VF251-VF260 VK181-VK190 VL806-VL810 VL871-VL880 VL931-VL945 VN096-VN110 VN174-VN190 VN657-VN670 VN968-VN970 VR461-VR461 VS111-VS111 VS131-VS132 VS177-VS177 VS186-VS187 VS206-VS207
61	24	PK	D00811	64	31-51-11	SM00021	W	N2	2		VS061-VS061 VS091-VS094 VS176-VS176 VS261-VS262

 286T0045-101
 Wire Bundle Assembly
 Figure 101 (Sheet 41)

25-71-02



BOEING
COMPONENT
MAINTENANCE MANUAL

WIRE			FROM EQUIPMENT			TO EQUIPMENT			WIRE INFO					
NUMBER	CA	TYP	NUMBER	TERM	TT	WD	REF	NUMBER	TERM	TT	EMC/SEP	FT	NOTE	EFFECTIVITY
61	24	PK	D00811	64		31-51-11		SM00021			W	N2	2	VA001-VB410 VB421-VE180 VF001-VF011 VF021-VF110 VF161-VF180 VK001-VK180 VL001-VL040 VL701-VL790 VL796-VL805 VL891-VL930 VM999-VN095 VN111-VN173 VN191-VN340 VN371-VN656 VN671-VN960 VN966-VN967 VN971-VN990 VR401-VR401 VR421-VR421 VR426-VR427 VR471-VR471 VS051-VS052 VS066-VS070 VS073-VS073 VS196-VS199 VS246-VS248 VS266-VS268
62	24	PK	D01489	16		31-51-11		SM00021			W	N2	3	VF251-VF260 VK181-VK190 VL806-VL810 VL871-VL880 VL931-VL945 VN096-VN110 VN174-VN190 VN657-VN670 VN968-VN970 VR461-VR461 VS061-VS061 VS091-VS094 VS111-VS111 VS131-VS132 VS176-VS177 VS186-VS187 VS206-VS207 VS261-VS262
62	24	PK	D01489	16		31-51-11		SM00021			W	N2	1	VA001-VB410 VB421-VE180 VF001-VF011 VF021-VF110 VF161-VF180 VK001-VK180 VL001-VL040 VL701-VL790 VL796-VL805 VL891-VL930 VM999-VN095 VN111-VN173 VN191-VN340 VN371-VN656 VN671-VN960 VN966-VN967 VN971-VN990 VR401-VR401 VR421-VR421 VR426-VR427 VR471-VR471 VS051-VS052 VS066-VS070 VS073-VS073 VS196-VS199 VS246-VS248 VS266-VS268
63	24	PK	D01487	45		31-51-11		SM00021			W	N2	3	VF251-VF260 VK181-VK190 VL806-VL810 VL871-VL880 VL931-VL945 VN096-VN110 VN174-VN190 VN657-VN670 VN968-VN970 VR461-VR461 VS061-VS061 VS091-VS094 VS111-VS111 VS131-VS132 VS176-VS177 VS186-VS187 VS206-VS207 VS261-VS262

286T0045-101
Wire Bundle Assembly
Figure 101 (Sheet 42)

25-71-02

WIRE		FROM EQUIPMENT			TO EQUIPMENT			WIRE INFO					
NUMBER	GA	TYP	NUMBER	TERM	TT	WD REF	NUMBER	TERM	TT	EMC/SEP	FT	NOTE	EFFECTIVITY
63	24	PK	D01487	45		31-51-11	SM00021		W	N2	1		VA001-VB410 VB421-VE180 VF001-VF011 VF021-VF110 VF161-VF180 VK001-VK180 VL001-VL040 VL701-VL790 VL796-VL805 VL891-VL930 VM999-VN095 VN111-VN173 VN191-VN340 VN371-VN656 VN671-VN960 VN966-VN967 VN971-VN990 VR401-VR401 VR421-VR421 VR426-VR427 VR471-VR471 VS051-VS052 VS066-VS070 VS073-VS073 VS196-VS199 VS246-VS248 VS266-VS268
64	24	PV	D01487	27		31-51-11	D00811	47		N2	5		VF251-VF260 VK181-VK190 VL806-VL810 VL871-VL880 VL931-VL945 VN096-VN110 VN174-VN190 VN657-VN670 VN968-VN970 VR461-VR461 VS111-VS111 VS131-VS132 VS177-VS177 VS186-VS187 VS206-VS207
64	24	PV	D01487	27		31-51-11	D00811	47		N2	3		VS061-VS061 VS091-VS094 VS176-VS176 VS261-VS262
064Z	24	PV	D01487	27		31-51-11	D00811	47		N2	3		VA001-VB410 VB421-VE180 VF001-VF011 VF021-VF110 VF161-VF180 VK001-VK180 VL001-VL040 VL701-VL790 VL796-VL805 VL891-VL930 VM999-VN095 VN111-VN173 VN191-VN340 VN371-VN656 VN671-VN960 VN966-VN967 VN971-VN990 VR401-VR401 VR421-VR421 VR426-VR427 VR471-VR471 VS051-VS052 VS066-VS070 VS073-VS073 VS196-VS199 VS246-VS248 VS266-VS268
65	24	PV	D01487	32		31-51-11	D00811	70		N2	5		VF251-VF260 VK181-VK190 VL806-VL810 VL871-VL880 VL931-VL945 VN096-VN110 VN174-VN190 VN657-VN670 VN968-VN970 VR461-VR461 VS111-VS111 VS131-VS132 VS177-VS177 VS186-VS187 VS206-VS207
65	24	PV	D01487	32		31-51-11	D00811	70		N2	3		VS061-VS061 VS091-VS094 VS176-VS176 VS261-VS262
65	24	PV	D01487	32		31-51-11	D00811	70		N2	3		VS061-VS061 VS091-VS094 VS176-VS176 VS261-VS262

 286T0045-101
 Wire Bundle Assembly
 Figure 101 (Sheet 43)

25-71-02



BOEING
COMPONENT
MAINTENANCE MANUAL

WIRE			FROM EQUIPMENT			TO EQUIPMENT			WIRE INFO		
NUMBER	CA TYP	NUMBER	TERM TT	WD REF	NUMBER	TERM TT	EMC/SEP	FT	NOTE	EFFECTIVITY	
065Z		D00811	DED	31-51-11	D01487		N2			VA001-VB410 VB421-VE180 VF001-VF011 VF021-VF110 VF161-VF180 VK001-VK180 VL001-VL040 VL701-VL790 VL796-VL805 VL891-VL930 VM999-VN095 VN111-VN173 VN191-VN340 VN371-VN656 VM671-VN960 VN966-VN967 VN971-VN990 VR401-VR401 VR421-VR421 VR426-VR427 VR471-VR471 VS051-VS052 VS066-VS070 VS073-VS073 VS196-VS199 VS246-VS248 VS266-VS268	
66	22 PA	D01487	14	31-51-11	GDX0003	D..	N2	4		VF251-VF260 VK181-VK190 VL806-VL810 VL871-VL880 VL931-VL945 VN096-VN110 VN174-VN190 VN657-VN670 VN968-VN970 VR461-VR461 VS061-VS061 VS091-VS094 VS111-VS111 VS131-VS132 VS176-VS177 VS186-VS187 VS206-VS207 VS261-VS262	
66	22 PA	D01487	14	31-51-11	GDX0003	D..	N2	2		VA001-VB410 VB421-VE180 VF001-VF011 VF021-VF110 VF161-VF180 VK001-VK180 VL001-VL040 VL701-VL790 VL796-VL805 VL891-VL930 VM999-VN095 VN111-VN173 VN191-VN340 VN371-VN656 VM671-VN960 VN966-VN967 VN971-VN990 VR401-VR401 VR421-VR421 VR426-VR427 VR471-VR471 VS051-VS052 VS066-VS070 VS073-VS073 VS196-VS199 VS246-VS248 VS266-VS268	
67	24 PV	D01489	27	31-51-11	D00811	45	N2	5		VF251-VF260 VK181-VK190 VL806-VL810 VL871-VL880 VL931-VL945 VN096-VN110 VN174-VN190 VN657-VN670 VN968-VN970 VR461-VR461 VS061-VS061 VS091-VS094 VS111-VS111 VS131-VS132 VS176-VS177 VS186-VS187 VS206-VS207 VS261-VS262	
67	24 PV	D01489	27	31-51-11	D00811	45	N2	3		VF251-VF260 VK181-VK190 VL806-VL810 VL871-VL880 VL931-VL945 VN096-VN110 VN174-VN190 VN657-VN670 VN968-VN970 VR461-VR461 VS061-VS061 VS091-VS094 VS111-VS111 VS131-VS132 VS176-VS177 VS186-VS187 VS206-VS207 VS261-VS262	

286T0045-101
Wire Bundle Assembly
Figure 101 (Sheet 44)

25-71-02

WIRES		FROM EQUIPMENT			TO EQUIPMENT			WIRE INFO			
NUMBER	GA	TYP	NUMBER	TERM TT	WD REF	NUMBER	TERM TT	EMC/SEP	FT	NOTE	EFFECTIVITY
067Z			D00811	DED	31-51-11	D01489		N2			VA001-VB410 VB421-VE180 VF001-VF011 VF021-VF110 VF161-VF180 VK001-VK180 VL001-VL040 VL701-VL790 VL796-VL805 VL891-VL930 VM999-VN095 VN111-VN173 VN191-VN340 VN371-VN656 VN671-VN960 VN966-VN967 VN971-VN990 VR401-VR401 VR421-VR421 VR426-VR427 VR471-VR471 VS051-VS052 VS066-VS070 VS073-VS073 VS196-VS199 VS246-VS248 VS266-VS268
68	24	PV	D01489	32	31-51-11	D00811	50	N2	5		VF251-VF260 VK181-VK190 VL806-VL810 VL871-VL880 VL931-VL945 VN096-VN110 VN174-VN190 VN657-VN670 VN968-VN970 VR461-VR461 VS061-VS061 VS091-VS094 VS111-VS111 VS131-VS132 VS176-VS177 VS186-VS187 VS206-VS207 VS261-VS262
68	24	PV	D01489	32	31-51-11	D00811	50	N2	3		VA001-VB410 VB421-VE180 VF001-VF011 VF021-VF110 VF161-VF180 VK001-VK180 VL001-VL040 VL701-VL790 VL796-VL805 VL891-VL930 VM999-VN095 VN111-VN173 VN191-VN340 VN371-VN656 VN671-VN960 VN966-VN967 VN971-VN990 VR401-VR401 VR421-VR421 VR426-VR427 VR471-VR471 VS051-VS052 VS066-VS070 VS073-VS073 VS196-VS199 VS246-VS248 VS266-VS268
068Z			D00811	DED	31-51-11	D01489		N2			
69	24	PV	D01489	17	31-51-11	D00811	36	N2	5		VF251-VF260 VK181-VK190 VL806-VL810 VL871-VL880 VL931-VL945 VN096-VN110 VN174-VN190 VN657-VN670 VN968-VN970 VR461-VR461 VS061-VS061 VS091-VS094 VS111-VS111 VS131-VS132 VS176-VS177 VS186-VS187 VS206-VS207 VS261-VS262
69	24	PV	D01489	17	31-51-11	D00811	36	N2	3		

286T0045-101
Wire Bundle Assembly
Figure 101 (Sheet 45)

25-71-02



BOEING
COMPONENT
MAINTENANCE MANUAL

WIRES		FROM EQUIPMENT			TO EQUIPMENT			WIRE INFO		
NUMBER	CA TYP	NUMBER	TERM TT	WD REF	NUMBER	TERM TT	EMC/SEP	FT	NOTE	EFFECTIVITY
069Z		D00811	DED	31-51-11	D01489		N2			VA001-VB410 VB421-VE180 VF001-VF011 VF021-VF110 VF161-VF180 VK001-VK180 VL001-VL040 VL701-VL790 VL796-VL805 VL891-VL930 VM999-VN095 VN111-VN173 VN191-VN340 VN371-VN656 VM671-VN960 VN966-VN967 VN971-VN990 VR401-VR401 VR421-VR421 VR426-VR427 VR471-VR471 VS051-VS052 VS066-VS070 VS073-VS073 VS196-VS199 VS246-VS248 VS266-VS268
70	22 PA	D01489	14	31-51-11	GDX0003	D..	N2	4		VF251-VF260 VK181-VK190 VL806-VL810 VL871-VL880 VL931-VL945 VN096-VN110 VN174-VN190 VN657-VN670 VN968-VN970 VR461-VR461 VS061-VS061 VS091-VS094 VS111-VS111 VS131-VS132 VS176-VS177 VS186-VS187 VS206-VS207 VS261-VS262
70	22 PA	D01489	14	31-51-11	GDX0003	D..	N2	2		VA001-VB410 VB421-VE180 VF001-VF011 VF021-VF110 VF161-VF180 VK001-VK180 VL001-VL040 VL701-VL790 VL796-VL805 VL891-VL930 VM999-VN095 VN111-VN173 VN191-VN340 VN371-VN656 VM671-VN960 VN966-VN967 VN971-VN990 VR401-VR401 VR421-VR421 VR426-VR427 VR471-VR471 VS051-VS052 VS066-VS070 VS073-VS073 VS196-VS199 VS246-VS248 VS266-VS268
71	20 UA	D01381		31-51-11	GDX0002	S..	N2	3		VF251-VF260 VK181-VK190 VL806-VL810 VL871-VL880 VL931-VL945 VN096-VN110 VN174-VN190 VN657-VN670 VN968-VN970 VR461-VR461 VS061-VS061 VS091-VS094 VS111-VS111 VS131-VS132 VS176-VS177 VS186-VS187 VS206-VS207 VS261-VS262

286T0045-101
Wire Bundle Assembly
Figure 101 (Sheet 46)

25-71-02

WIRE			FROM EQUIPMENT				TO EQUIPMENT				WIRE INFO			
NUMBER	GA	TYP	NUMBER	TERM	TT	WD REF	NUMBER	TERM	TT	EMC/SEP	FT	NOTE	EFFECTIVITY	
71	20	UA	D01381			31-51-11	GDX0002	S..	2	N2	2		VA001-VB410 VB421-VE180 VF001-VF011 VF021-VF110 VF161-VF180 VK001-VK180 VL001-VL040 VL701-VL790 VL796-VL805 VL891-VL930 VM999-VN095 VN111-VN173 VN191-VN340 VN371-VN656 VN671-VN960 VN966-VN967 VN971-VN990 VR401-VR401 VR421-VR421 VR426-VR427 VR471-VR471 VS051-VS052 VS066-VS070 VS073-VS073 VS196-VS199 VS246-VS248 VS266-VS268	
72	20	UA	D00823			31-51-11	GDX0002	S..	2	N2	3		VF251-VF260 VK181-VK190 VL806-VL810 VL871-VL880 VL931-VL945 VN096-VN110 VN174-VN190 VN657-VN670 VN968-VN970 VR461-VR461 VS061-VS061 VS091-VS094 VS111-VS111 VS131-VS132 VS176-VS177 VS186-VS187 VS206-VS207 VS261-VS262	
72	20	UA	D00823			31-51-11	GDX0002	S..	2	N2	2		VA001-VB410 VB421-VE180 VF001-VF011 VF021-VF110 VF161-VF180 VK001-VK180 VL001-VL040 VL701-VL790 VL796-VL805 VL891-VL930 VM999-VN095 VN111-VN173 VN191-VN340 VN371-VN656 VN671-VN960 VN966-VN967 VN971-VN990 VR401-VR401 VR421-VR421 VR426-VR427 VR471-VR471 VS051-VS052 VS066-VS070 VS073-VS073 VS196-VS199 VS246-VS248 VS266-VS268	
73	20	UA	D00817			31-51-11	GDX0002	S..	2	N2	3		VF251-VF260 VK181-VK190 VL806-VL810 VL871-VL880 VL931-VL945 VN096-VN110 VN174-VN190 VN657-VN670 VN968-VN970 VR461-VR461 VS061-VS061 VS091-VS094 VS111-VS111 VS131-VS132 VS176-VS177 VS186-VS187 VS206-VS207 VS261-VS262	
73	20	UA	D00817			31-51-11	GDX0002	S..	2	N2	2		VA001-VB410 VB421-VE180 VF001-VF011 VF021-VF110 VF161-VF180 VK001-VK180 VL001-VL040 VL701-VL790 VL796-VL805 VL891-VL930 VM999-VN095 VN111-VN173 VN191-VN340 VN371-VN656 VN671-VN960 VN966-VN967 VN971-VN990 VR401-VR401 VR421-VR421 VR426-VR427 VR471-VR471 VS051-VS052 VS066-VS070 VS073-VS073 VS196-VS199 VS246-VS248 VS266-VS268	

286T0045-101
Wire Bundle Assembly
Figure 101 (Sheet 47)

25-71-02



COMPONENT
MAINTENANCE MANUAL

WIRE		FROM EQUIPMENT			TO EQUIPMENT			WIRE INFO						
NUMBER	GA	TYP	NUMBER	TERM	TT	WD	REF	NUMBER	TERM	TT	EMC/ SEP	FT	NOTE	EFFECTIVITY
74	20	EA	SM00026		W	31-51-11		GDX0005	D..	2	N2			VA001-VB410 VB421-VE180 VF001-VF011 VF021-VF110 VF161-VF180 VK001-VK180 VL001-VL040 VL701-VL790 VL796-VL805 VL891-VL930 VM999-VN095 VN111-VN173 VN191-VN340 VN371-VN656 VN671-VN960 VN966-VN967 VN971-VN990 VR401-VR401 VR421-VR421 VR426-VR427 VR471-VR471 VS051-VS052 VS066-VS070 VS073-VS073 VS196-VS199 VS246-VS248 VS266-VS268
75	20	UA	D01487			31-51-11		GDX0005	S..	2	N2	4		VF251-VF260 VK181-VK190 VL806-VL810 VL871-VL880 VL931-VL945 VN096-VN110 VN174-VN190 VN657-VN670 VN968-VN970 VR461-VR461 VS061-VS061 VS091-VS094 VS111-VS111 VS131-VS132 VS176-VS177 VS186-VS187 VS206-VS207 VS261-VS262
75	20	UA	D01487			31-51-11		GDX0005	S..	2	N2	2		VA001-VB410 VB421-VE180 VF001-VF011 VF021-VF110 VF161-VF180 VK001-VK180 VL001-VL040 VL701-VL790 VL796-VL805 VL891-VL930 VM999-VN095 VN111-VN173 VN191-VN340 VN371-VN656 VN671-VN960 VN966-VN967 VN971-VN990 VR401-VR401 VR421-VR421 VR426-VR427 VR471-VR471 VS051-VS052 VS066-VS070 VS073-VS073 VS196-VS199 VS246-VS248 VS266-VS268
76	20	UA	GDX0005	S..	2	31-51-11		D01489			N2	4		VF251-VF260 VK181-VK190 VL806-VL810 VL871-VL880 VL931-VL945 VN096-VN110 VN174-VN190 VN657-VN670 VN968-VN970 VR461-VR461 VS061-VS061 VS091-VS094 VS111-VS111 VS131-VS132 VS176-VS177 VS186-VS187 VS206-VS207 VS261-VS262

286T0045-101
Wire Bundle Assembly
Figure 101 (Sheet 48)

25-71-02



COMPONENT
MAINTENANCE MANUAL

WIRE		FROM EQUIPMENT			TO EQUIPMENT			WIRE INFO		
NUMBER	GA TYP	NUMBER	TERM TT	WD REF	NUMBER	TERM TT	EMC/SEP	FT	NOTE	EFFECTIVITY
76	20 UA	GDX0005	S.. 2	31-51-11	D01489		N2	2		VB329-VB370 VB441-VB450 VE086-VE100 VE118-VE120 VE171-VE180 VF051-VF110 VF161-VF170 VK046-VK080 VK090-VK130 VK141-VK180 VL012-VL040 VL701-VL790 VL796-VL805 VL891-VL930 VM999-VM999 VN016-VN050 VN055-VN080 VN086-VN095 VN111-VN173 VN191-VN340 VN371-VN656 VN671-VN960 VN966-VN967 VN971-VN990 VR401-VR401 VR421-VR421 VR426-VR427 VR471-VR471 VS051-VS052 VS066-VS070 VS073-VS073 VS196-VS199 VS246-VS248 VS266-VS268
77	24 PK	D02261	40	31-41-35	D04349J	1	N2	4		VE147-VE170 VF171-VF180
77	24 PK	D02261	40	31-41-35	D04349J	1	N2	4		VF251-VF260
77	24 PK	D02261	40	31-41-35	D04349J	1	N2	2		VK012-VK020 VK131-VK140
77	24 PK	D02261	40	31-41-35	D04349J	1	N2	3		VK181-VK190 VL806-VL810 VL871-VL880 VL931-VL945 VN096-VN110 VN174-VN190 VN657-VN670 VN968-VN970 VR461-VR461 VS061-VS061 VS091-VS094 VS111-VS111 VS131-VS132 VS176-VS177 VS186-VS187 VS206-VS207 VS261-VS262
77	24 PK	D02261	40	31-41-35	D04349J	1	N2	2		VA001-VB410 VB421-VE180 VF001-VF011 VF021-VF110 VF161-VF180 VK001-VK180 VL001-VL040 VL701-VL790 VL796-VL805 VL891-VL930 VM999-VN095 VN111-VN173 VN191-VN340 VN371-VN656 VN671-VN960 VN966-VN967 VN971-VN990 VR401-VR401 VR421-VR421 VR426-VR427 VR471-VR471 VS051-VS052 VS066-VS070 VS073-VS073 VS196-VS199 VS246-VS248 VS266-VS268
78	20 PA	SM00027	W	31-51-11	GDX0005	D.. 2	N2			
79	22 PA	D00813	60	31-51-12	GDX0003	S.. 2	N2	4	UAE-F2	VF251-VF260 VK181-VK190 VL806-VL810 VL871-VL880 VL931-VL945 VN096-VN110 VN174-VN190 VN657-VN670 VN968-VN970 VR461-VR461 VS111-VS111 VS131-VS132 VS177-VS177 VS186-VS187 VS206-VS207

286T0045-101
Wire Bundle Assembly
Figure 101 (Sheet 49)

25-71-02



BOEING
COMPONENT
MAINTENANCE MANUAL

WIRE			FROM EQUIPMENT			TO EQUIPMENT			WIRE INFO					
NUMBER	GA	TYP	NUMBER	TERM	TT	WD	REF	NUMBER	TERM	TT	EMC/ SEP	FT	NOTE	EFFECTIVITY
79	22	PA	D00813	60		31-51-12		GDX0003	S..	2	N2	2	UAE-F2	VS061-VS061 VS091-VS094 VS176-VS176 VS261-VS262
79	22	PA	D00813	60		31-51-12		GDX0003	S..	2	N2	3	UAE-F2	VAA01-VB410 VB421-VE180 VF001-VF011 VF021-VF110 VF161-VF180 VK001-VK180 VL001-VL040 VL701-VL790 VL796-VL805 VL891-VL930 VM999-VN095 VNI11-VNI173 VN191-VN340 VN371-VN656 VN671-VN960 VN966-VN967 VN971-VN990 VR401-VR401 VR421-VR421 VR426-VR427 VR471-VR471 VS051-VS052 VS066-VS070 VS073-VS073 VS196-VS199 VS246-VS248 VS266-VS268
80	22	PA	D00821	15		31-51-12		GDX0002	D..	2	N2	4		VF251-VF260 VK181-VK190 VL806-VL810 VL871-VL880 VL931-VL945 VN096-VNI110 VN174-VNI190 VN657-VN670 VN968-VN970 VR461-VR461 VS061-VS061 VS091-VS094 VS111-VS111 VS131-VS132 VS176-VS177 VS186-VS187 VS206-VS207 VS261-VS262
80	22	PA	D00821	15		31-51-12		GDX0002	D..	2	N2	2		VAA01-VB320 VB371-VB410 VB421-VE180 VF001-VF010 VF021-VF100 VF161-VF170 VK001-VK180 VL001-VL040 VL701-VL790 VL796-VL805 VM999-VN095 VNI11-VNI170 VN191-VN340 VN491-VN530 VN651-VN656 VN671-VN680 VN731-VN820 VN931-VN950 VN966-VN967 VN971-VN990 VR401-VR401 VR421-VR421 VR426-VR427 VR471-VR471 VS066-VS070 VS073-VS073 VS196-VS199 VS266-VS268
81	24	PV	D00821	30		31-51-12		D00813	26		N2	5		VB321-VB370 VF011-VF011 VF101-VF110 VN111-VNI150 VN171-VNI173 VN821-VN920 VS246-VS248
81	24	PV	D00821	30		31-51-12		SM00073		W	N2	5		VF171-VF180 VL891-VL930 VN951-VN960 VS051-VS052
81	24	PV	D00821	30		31-51-12		SM00073		W	N2	2		VF251-VF260 VN174-VNI190 VS176-VS177

286T0045-101
Wire Bundle Assembly
Figure 101 (Sheet 50)

25-71-02

TESTING & TROUBLE SHOOTING
01

Page 1120
Nov 01/02

WIRE		FROM EQUIPMENT		TO EQUIPMENT		WIRE INFO					
NUMBER	GA	TYP	NUMBER	TERM TT	WD REF	NUMBER	TERM TT	EMC/SEP	FT	NOTE	EFFECTIVITY
81	24	PV	D00821	30	31-51-12	SM00073	W	N2	1		VK181-VK190 VL806-VL810 VL871-VL880 VL931-VL945 VN096-VN110 VN657-VN670 VN968-VN970 VR461-VR461 VS111-VS111 VS131-VS132 VS186-VS187 VS206-VS207
81	24	PV	D00821	30	31-51-12	D00813	26	N2	3		VN371-VN490 VN531-VN650 VN681-VN730 VN921-VN930
81	24	PV	D00821	30	31-51-12	SM00073	W	N2	3		VS061-VS061 VS091-VS094 VS261-VS262
81	24	PV	D00821	30	31-51-12	D00813	26	N2	3		VA001-VB320 VB371-VB410 VB421-VB440 VB451-VE180 VF001-VF010 VF021-VF100 VF161-VF170 VK001-VK190 VL001-VL040 VL701-VL790 VL796-VL810 VL871-VL880 VL941-VL945 VM999-VN110 VN151-VN170 VN174-VN340 VN491-VN530 VN651-VN680 VN731-VN820 VN931-VN950 VN966-VN990 VR401-VR401 VR421-VR421 VR426-VR427 VR461-VR461 VR471-VR471 VS061-VS061 VS066-VS070 VS073-VS073 VS091-VS094 VS111-VS111 VS131-VS132 VS186-VS187 VS196-VS199 VS266-VS268
081Z			D00813	DED	31-51-12	D00821		N2			VB321-VB370 VF011-VF011 VF101-VF110 VN111-VN150 VN371-VN490 VN531-VN650 VN681-VN730 VN821-VN930 VS176-VS177 VS246-VS248
081Z			SM00073	REF	31-51-12	D00821		N2			VB441-VB450 VL931-VL940 VS206-VS207
081Z			D00813	DED	31-51-12	D00821		N2			VF171-VF180 VF251-VF260
081Z			SM00073	REF	31-51-12	D00821	REF	N2			VL891-VL930 VN951-VN960 VS051-VS052
081Z			D00821	REF	31-51-12	SM00073		N2			VN171-VN173
081Z			SM00073	REF	31-51-12	D00821		N2		MTC-F2	VS261-VS262

286T0045-101
Wire Bundle Assembly
Figure 101 (Sheet 51)

25-71-02



BOEING
COMPONENT
MAINTENANCE MANUAL

WIRES		FROM EQUIPMENT		TO EQUIPMENT		WIRE INFO							
NUMBER	GA	TYP	NUMBER	TERM	TT	WD REF	NUMBER	TERM	TT	EMC/SEP	FT	NOTE	EFFECTIVITY
081Z			D00821			31-51-12	D00813	DED		N2			VA001-VB320 VB371-VB410 VB421-VE180 VF001-VF010 VF021-VF100 VF161-VF170 VK001-VK180 VL001-VL040 VL701-VL790 VL796-VL805 VM999-VN095 VN151-VN170 VN191-VN340 VN491-VN530 VN651-VN656 VNC71-VN680 VN731-VN820 VN931-VN950 VN966-VN967 VNS71-VN990 VR401-VR401 VR421-VR421 VR426-VR427 VR471-VR471 VS066-VS070 VS073-VS073 VS196-VS199 VS266-VS268
82	24	PV	D00821	33		31-51-12	D00813	49		N2	5		VB321-VB370 VF011-VF011 VF101-VF110 VNL111-VN150 VN171-VN173 VNB21-VN920 VS246-VS248
82	24	PV	D00821	33		31-51-12	SM00074		W	N2	5		VF171-VF180 VL891-VL930 VN951-VN960 VS051-VS052
82	24	PV	D00821	33		31-51-12	SM00074		W	N2	2		VF251-VF260 VNI74-VN190 VS176-VS177
82	24	PV	D00821	33		31-51-12	SM00074		W	N2	1		VK181-VK190 VL806-VL810 VL871-VL880 VL931-VL945 VN096-VN110 VNS57-VN670 VN968-VN970 VR461-VR461 VS111-VS111 VS131-VS132 VS186-VS187 VS206-VS207
82	24	PV	D00821	33		31-51-12	D00813	49		N2	3		VN371-VN490 VN531-VN650 VN681-VN730 VN921-VN930
82	24	PV	D00821	33		31-51-12	SM00074		W	N2	3		VS061-VS061 VS091-VS094 VS261-VS262
82	24	PV	D00821	33		31-51-12	D00813	49		N2	3		VA001-VB320 VB371-VB410 VB421-VB440 VB451-VE180 VF001-VF010 VF021-VF100 VF161-VF170 VK001-VK190 VL001-VL040 VL701-VL790 VL796-VL810 VL871-VL880 VL941-VL945 VM999-VN110 VNI51-VN170 VN174-VN340 VN491-VN530 VN651-VN680 VNI74-VN170 VN174-VN340 VN966-VN990 VR401-VR401 VR421-VR421 VR426-VR427 VR461-VR461 VR471-VR471 VS061-VS061 VS066-VS070 VS073-VS073 VS091-VS094 VS111-VS111 VS131-VS132 VS186-VS187 VS196-VS199 VS266-VS268

286T0045-101
Wire Bundle Assembly
Figure 101 (Sheet 52)

25-71-02

TESTING & TROUBLE SHOOTING
01

Page 112Q
Nov 01/02



COMPONENT
MAINTENANCE MANUAL

WIRE		FROM EQUIPMENT			TO EQUIPMENT			WIRE INFO		
NUMBER	GA TYP	NUMBER	TERM TT	WD REF	NUMBER	TERM TT	EMC/SEP	FT	NOTE	EFFECTIVITY
082Z		D00813	DED	31-51-12	D00821		N2			VB321-VB370 VF011-VF011 VF101-VF110 VNI11-VNI150 VN371-VN490 VN531-VN650 VM681-VM730 VN821-VN930 VS176-VS177 VS246-VS248
082Z		SM00074	REF	31-51-12	D00821		N2			VB441-VB450 VL931-VL940 VS206-VS207
082Z		D00813	DED	31-51-12	D00821		N2			VF171-VF180 VF251-VF260
082Z		SM00074	REF	31-51-12	D00821	REF	N2			VL891-VL930 VN951-VN960 VS051-VS052
082Z		D00821	REF	31-51-12	SM00074		N2		MTC-F2	VNI171-VNI173
082Z		SM00074	REF	31-51-12	D00821		N2			VS261-VS262
082Z		D00821	DED	31-51-12	D00813	DED	N2			VA001-VB410 VB421-VE180 VF001-VF011 VF021-VF110 VF161-VF180 VK001-VK180 VL001-VL040 VL701-VL790 VL796-VL805 VL891-VL930 VM999-VN095 VNI11-VN173 VN191-VN340 VN371-VN656 VN671-VN960 VN966-VN967 VN971-VN990 VR401-VR401 VR421-VR421 VR426-VR427 VR471-VR471 VS051-VS052 VS066-VS070 VS073-VS073 VS196-VS199 VS246-VS248 VS266-VS268
83	24 PV	D00821	24	31-51-12	D00813	35	N2	5		VF251-VF260 VK181-VK190 VL806-VL810 VL871-VL880 VL931-VL945 VN096-VN110 VN174-VN190 VN657-VN670 VN968-VN970 VR461-VR461 VS111-VS111 VS131-VS132 VS177-VS177 VS186-VS187 VS206-VS207
83	24 PV	D00821	24	31-51-12	D00813	35	N2	3		VS061-VS061 VS091-VS094 VS176-VS176 VS261-VS262
83	24 PV	D00821	24	31-51-12	D00813	35	N2	3		VA001-VB410 VB421-VE180 VF001-VF011 VF021-VF110 VF161-VF180 VK001-VK180 VL001-VL040 VL701-VL790 VL796-VL805 VL891-VL930 VM999-VN095 VNI11-VN173 VN191-VN340 VN371-VN656 VN671-VN960 VN966-VN967 VN971-VN990 VR401-VR401 VR421-VR421 VR426-VR427 VR471-VR471 VS051-VS052 VS066-VS070 VS073-VS073 VS196-VS199 VS246-VS248 VS266-VS268
083Z		D00813	DED	31-51-12	D00821		N2			

286T0045-101
Wire Bundle Assembly
Figure 101 (Sheet 53)

25-71-02



BOEING
COMPONENT
MAINTENANCE MANUAL

WIRES		FROM EQUIPMENT		TO EQUIPMENT		WIRE INFO				
NUMBER	GA TYP	NUMBER	TERM TT	WD REF	NUMBER	TERM TT	EMC/SEP	FT	NOTE	EFFECTIVITY
84	24 PK	D00821	19	31-51-12	SM00025	W	N2	3		VF251-VF260 VK181-VK190 VL806-VL810 VL871-VL880 VL931-VL945 VN096-VN110 VN174-VN190 VN657-VN670 VN968-VN970 VR461-VR461 VS061-VS061 VS091-VS094 VS111-VS111 VS131-VS132 VS176-VS177 VS186-VS187 VS206-VS207 VS261-VS262
84	24 PK	D00821	19	31-51-12	SM00025	W	N2	1		VA001-VB410 VB421-VE180 VF001-VF011 VF021-VF110 VF161-VF180 VK001-VK180 VL001-VL040 VL701-VL790 VL796-VL805 VL891-VL930 VM999-VN095 VN111-VN173 VN191-VN340 VN371-VN656 VN671-VN960 VN966-VN967 VN971-VN990 VR401-VR401 VR421-VR421 VR426-VR427 VR471-VR471 VS051-VS052 VS066-VS070 VS073-VS073 VS196-VS199 VS246-VS248 VS266-VS268
85	24 PK	D00813	65	31-51-12	SM00025	W	N2	4		VF251-VF260 VK181-VK190 VL806-VL810 VL871-VL880 VL931-VL945 VN096-VN110 VN174-VN190 VN657-VN670 VN968-VN970 VR461-VR461 VS111-VS111 VS131-VS132 VS177-VS177 VS186-VS187 VS206-VS207
85	24 PK	D00813	65	31-51-12	SM00025	W	N2	2		VS061-VS061 VS091-VS094 VS176-VS176 VS261-VS262
85	24 PK	D00813	65	31-51-12	SM00025	W	N2	2		VA001-VB410 VB421-VE180 VF001-VF011 VF021-VF110 VF161-VF180 VK001-VK180 VL001-VL040 VL701-VL790 VL796-VL805 VL891-VL930 VM999-VN095 VN111-VN173 VN191-VN340 VN371-VN656 VN671-VN960 VN966-VN967 VN971-VN990 VR401-VR401 VR421-VR421 VR426-VR427 VR471-VR471 VS051-VS052 VS066-VS070 VS073-VS073 VS196-VS199 VS246-VS248 VS266-VS268

286T0045-101
Wire Bundle Assembly
Figure 101 (Sheet 54)

25-71-02

WIRE			FROM EQUIPMENT			TO EQUIPMENT			WIRE INFO			
NUMBER	GA	TYP	NUMBER	TERM	FT	WD REF	NUMBER	TERM	FT	EMC / SEP	NOTE	EFFECTIVITY
86	24	PK	D00819	3		31-51-12	SM00025	W	N2	3		VF251-VF260 VK181-VK190 VL806-VL810 VL871-VL880 VL931-VL945 VN096-VN110 VN174-VN190 VN657-VN670 VN968-VN970 VR461-VR461 VS061-VS061 VS091-VS094 VS111-VS111 VS131-VS132 VS176-VS177 VS186-VS187 VS206-VS207 VS261-VS262
86	24	PK	D00819	3		31-51-12	SM00025	W	N2	1		VAA001-VB410 VB421-VE180 VF001-VF011 VF021-VF110 VF161-VF180 VK001-VK180 VL001-VL040 VL701-VL790 VL796-VL805 VL891-VL930 VM999-VN095 VN111-VN173 VN191-VN340 VN371-VN656 VN671-VN960 VN966-VN967 VN971-VN990 VR401-VR401 VR421-VR421 VR426-VR427 VR471-VR471 VS051-VS052 VS066-VS070 VS073-VS073 VS196-VS199 VS246-VS248 VS266-VS268
87	24	PK	D01433	18		31-51-12	SM00025	W	N2	2		VF251-VF260 VK181-VK190 VL806-VL810 VL871-VL880 VL931-VL945 VN096-VN110 VN174-VN190 VN657-VN670 VN968-VN970 VR461-VR461 VS061-VS061 VS091-VS094 VS111-VS111 VS131-VS132 VS176-VS177 VS186-VS187 VS206-VS207 VS261-VS262
87	24	PK	D01433	18		31-51-12	SM00025	W	N2	1		VAA001-VB410 VB421-VE180 VF001-VF011 VF021-VF110 VF161-VF180 VK001-VK180 VL001-VL040 VL701-VL790 VL796-VL805 VL891-VL930 VM999-VN095 VN111-VN173 VN191-VN340 VN371-VN656 VN671-VN960 VN966-VN967 VN971-VN990 VR401-VR401 VR421-VR421 VR426-VR427 VR471-VR471 VS051-VS052 VS066-VS070 VS073-VS073 VS196-VS199 VS246-VS248 VS266-VS268

 286T0045-101
 Wire Bundle Assembly
 Figure 101 (Sheet 55)

25-71-02

 TESTING & TROUBLE SHOOTING
 01 Page 112T
 Nov 01/02



BOEING
COMPONENT
MAINTENANCE MANUAL

WIRE		FROM EQUIPMENT			TO EQUIPMENT			WIRE INFO					
NUMBER	GA	TYP	NUMBER	TERM	TT	WD REF	NUMBER	TERM	TT	EMC/SEP	FT	NOTE	EFFECTIVITY
88	22	PA	D01433	15		31-51-12	GDX0002	D..	2	N2	3		VF251-VF260 VK181-VK190 VL806-VL810 VL871-VL880 VL931-VL945 VN096-VN110 VN174-VN190 VN657-VN670 VN968-VN970 VR461-VR461 VS061-VS061 VS091-VS094 VS111-VS111 VS131-VS132 VS176-VS177 VS186-VS187 VS206-VS207 VS261-VS262
88	22	PA	D01433	15		31-51-12	GDX0002	D..	2	N2	2		VA001-VB328 VB371-VB410 VB421-VB440 VB451-VB085 VE101-VE117 VE121-VE146 VF001-VF011 VFO21-VF050 VK001-VK011 VK021-VK045 VK081-VK089 VL001-VL011 VN001-VN015 VN051-VN054 VN081-VN085
89	24	PV	D01433	30		31-51-12	D00813	14		N2	5		VB329-VB370 VB441-VB450 VE086-VE100 VE147-VE180 VF051-VF110 VF161-VF180 VK046-VK080 VK090-VK180 VL012-VL040 VL701-VL790 VL796-VL805 VL891-VL930 VM999-VM999 VN055-VN080 VN111-VN173 VN191-VN300 VN371-VN656 VN671-VN960 VN966-VN967 VN971-VN990 VR401-VR401 VR421-VR421 VR426-VR427 VR471-VR471 VS051-VS052 VS066-VS070 VS073-VS073 VS246-VS248 VS266-VS268
89	24	PV	D01433	30		31-51-12	SM00054		W	N2	5		VE118-VE120 VK012-VK020 VN016-VN050 VN301-VN340 VS196-VS199
89	24	PV	D01433	30		31-51-12	SM00054		W	N2	2		VF251-VF260 VK181-VK190 VL806-VL810 VL871-VL880 VL931-VL945 VN096-VN110 VN174-VN190 VN657-VN670 VN968-VN970 VR461-VR461 VS061-VS061 VS091-VS094 VS111-VS111 VS131-VS132 VS176-VS177 VS186-VS187 VS206-VS207 VS261-VS262
89	24	PV	D01433	30		31-51-12	SM00054		W	N2	1		VN086-VN095

286T0045-101
Wire Bundle Assembly
Figure 101 (Sheet 56)

25-71-02



COMPONENT
MAINTENANCE MANUAL

WIRE		FROM EQUIPMENT			TO EQUIPMENT			WIRE INFO					
NUMBER	GA	TYP	NUMBER	TERM	TT	WD REF	NUMBER	TERM	TT	EMC/SEP	FT	NOTE	EFFECTIVITY
89	24	PV	D01433	30		31-51-12	SM00054		W	N2	3		VA001-VB328 VB371-VB410 VB421-VB440 VB451-VE085 VE101-VE117 VE121-VE146 VF001-VF011 VF021-VF050 VK001-VK011 VK021-VK045 VK081-VK089 VL001-VL011 VN001-VN015 VN051-VN054 VN081-VN085
089Z			D00813	DED		31-51-12	D01433			N2			VB329-VB370 VB441-VB450 VE086-VE100 VE118-VE120 VE147-VE180 VF051-VF110 VF161-VF180 VF251-VF260 VK012-VK020 VK046-VK080 VK090-VK190 VL012-VL040 VL701-VL790 VL796-VL810 VL871-VL880 VL891-VL945 VM999-VM999 VN016-VN050 VN055-VN080 VN086-VN340 VN371-VN960 VN966-VN990 VR401-VR401 VR421-VR421 VR426-VR427 VR461-VR461 VR471-VR471 VS051-VS052 VS061-VS061 VS065-VS070 VS073-VS073 VS091-VS094 VS111-VS111 VS131-VS132 VS176-VS177 VS196-VS187 VS196-VS199 VS206-VS207 VS246-VS248 VS261-VS262 VS266-VS268
089Z			SM00054	REF		31-51-12	D01433			N2			VA001-VB328 VB371-VB410 VB421-VB440 VB451-VE085 VE101-VE117 VE121-VE146 VF001-VF011 VF021-VF050 VK001-VK011 VK021-VK045 VK081-VK089 VL001-VL011 VN001-VN015 VN051-VN054 VN081-VN085
90	24	PV	D01433	33		31-51-12	D00813	48		N2	5		VB329-VB370 VB441-VB450 VE086-VE100 VE147-VE180 VF051-VF110 VF161-VF180 VK046-VK080 VK090-VK180 VL012-VL040 VL701-VL790 VL796-VL805 VL891-VL930 VM999-VM999 VN055-VN080 VN111-VN173 VN191-VN300 VN371-VN656 VN671-VN960 VN966-VN967 VN971-VN990 VR401-VR401 VR421-VR421 VR426-VR427 VR471-VR471 VS051-VS052 VS066-VS070 VS073-VS073 VS246-VS248 VS266-VS268

286T0045-101
Wire Bundle Assembly
Figure 101 (Sheet 57)

25-71-02



BOEING
COMPONENT
MAINTENANCE MANUAL

WIRE		FROM EQUIPMENT			TO EQUIPMENT			WIRE INFO			
NUMBER	GA	TYP	NUMBER	TERM TT	WD REF	NUMBER	TERM TT	EMC / SEP	FT	NOTE	EFFECTIVITY
90	24	PV	D01433	33	31-51-12	SM00055	W	N2	5		VE118-VE120 VK012-VK020 VN016-VN050 VN301-VN340 VS196-VS199
90	24	PV	D01433	33	31-51-12	SM00055	W	N2	2		VF251-VF260 VK181-VK190 VL806-VL810 VL871-VL880 VL931-VL945 VN096-VN110 VN174-VN190 VN657-VN670 VN968-VN970 VR461-VR461 VS061-VS061 VS091-VS094 VS111-VS111 VS131-VS132 VS176-VS177 VS186-VS187 VS206-VS207 VS261-VS262
90	24	PV	D01433	33	31-51-12	SM00055	W	N2	1		VN086-VN095
90	24	PV	D01433	33	31-51-12	SM00055	W	N2	3		VA001-VB328 VB371-VB410 VB421-VB440 VB451-VB085 VE101-VE117 VE121-VE146 VF001-VF011 VF021-VF050 VK001-VK011 VK021-VK045 VK081-VK089 VL001-VL011 VN001-VN015 VN051-VN054 VN081-VN085
090Z			D00813	DED	31-51-12	D01433		N2			VB329-VB370 VB441-VB450 VE086-VE100 VE118-VE120 VE147-VE180 VF051-VF110 VF161-VF180 VF251-VF260 VK012-VK020 VK046-VK080 VK090-VK190 VL012-VL040 VL701-VL790 VL796-VL810 VL871-VL880 VL891-VL945 VM999-VM999 VN016-VN050 VN055-VN080 VN086-VN340 VN371-VN960 VN966-VN990 VR401-VR401 VR421-VR421 VR426-VR427 VR461-VR461 VR471-VR471 VS051-VS052 VS061-VS061 VS066-VS070 VS073-VS073 VS091-VS094 VS111-VS111 VS131-VS132 VS176-VS177 VS186-VS187 VS196-VS199 VS206-VS207 VS246-VS248 VS261-VS262 VS266-VS268
090Z			SM00055	REF	31-51-12	D01433		N2			VA001-VB328 VB371-VB410 VB421-VB440 VB451-VB085 VE101-VE117 VE121-VE146 VF001-VF011 VF021-VF050 VK001-VK011 VK021-VK045 VK081-VK089 VL001-VL011 VN001-VN015 VN051-VN054 VN081-VN085

286T0045-101
Wire Bundle Assembly
Figure 101 (Sheet 58)

25-71-02



COMPONENT
MAINTENANCE MANUAL

WIRE		FROM EQUIPMENT			TO EQUIPMENT			WIRE INFO			
NUMBER	GA	TYP	NUMBER	TERM TT	WD REF	NUMBER	TERM TT	EMC/SEP	FT	NOTE	EFFECTIVITY
91	24	PV	D01433	24	31-51-12	D00813	23	N2	5		VB329-VB370 VB441-VB450 VE086-VE100 VE147-VE180 VF051-VF110 VF161-VF180 VK046-VK080 VK090-VK180 VL012-VL040 VL701-VL790 VL796-VL805 VL891-VL930 VM999-VM999 VN055-VN080 VN111-VN173 VN191-VN300 VN371-VN656 VN671-VN960 VN966-VN967 VN971-VN990 VR401-VR401 VR421-VR421 VR426-VR427 VR471-VR471 VS051-VS052 VS066-VS070 VS073-VS073 VS246-VS248 VS266-VS268
91	24	PV	D01433	24	31-51-12	SM00056	W	N2	5		VE118-VE120 VK012-VK020 VN016-VN050 VN301-VN340 VS196-VS199
91	24	PV	D01433	24	31-51-12	SM00056	W	N2	2		VF251-VF260 VK181-VK190 VL806-VL810 VL871-VL880 VL931-VL945 VN096-VN110 VN174-VN190 VN657-VN670 VN968-VN970 VR461-VR461 VS061-VS061 VS091-VS094 VS111-VS111 VS131-VS132 VS176-VS177 VS186-VS187 VS206-VS207 VS261-VS262
91	24	PV	D01433	24	31-51-12	SM00056	W	N2	1		VN086-VN095
91	24	PV	D01433	24	31-51-12	SM00056	W	N2	3		VA001-VB328 VB371-VB410 VB421-VB440 VB451-VE085 VE101-VE117 VE121-VE146 VF001-VF011 VF021-VF050 VK001-VK014 VK021-VK045 VK081-VK089 VL001-VL011 VN001-VN015 VN051-VN054 VN081-VN085

286T0045-101
Wire Bundle Assembly
Figure 101 (Sheet 59)

25-71-02



BOEING
COMPONENT
MAINTENANCE MANUAL

WIRE		FROM EQUIPMENT			TO EQUIPMENT			WIRE INFO		
NUMBER	GA TYP	NUMBER	TERM TT	WD REF	NUMBER	TERM TT	EMC / SEP	FT	NOTE	EFFECTIVITY
091Z		D00813	DED	31-51-12	D01433		N2			VB329-VB370 VB441-VB450 VB086-VE100 VE118-VE120 VE147-VE180 VF051-VF110 VF161-VF180 VF251-VF260 VK012-VK020 VK046-VK080 VK090-VK190 VL012-VL040 VL701-VL790 VL796-VL810 VL871-VL880 VL891-VL945 VM999-VM999 VN016-VN050 VN055-VN080 VN086-VN340 VN371-VN960 VN966-VN990 VR401-VR401 VR421-VR421 VR426-VR427 VR461-VR461 VR471-VR471 VS051-VS052 VS061-VS061 VS066-VS070 VS073-VS073 VS091-VS094 VS111-VS111 VS131-VS132 VS176-VS177 VS186-VS187 VS196-VS199 VS206-VS207 VS246-VS248 VS261-VS262 VS266-VS268
091Z		SM00056	REF	31-51-12	D01433		N2			VAA001-VB410 VB421-VE180 VF001-VF011 VF021-VF110 VF161-VF180 VK001-VK180 VL001-VL040 VL701-VL790 VL796-VL805 VL891-VL930 VM999-VN095 VN111-VN173 VN191-VN340 VN371-VN656 VN671-VN960 VN966-VN967 VN971-VN990 VR401-VR401 VR421-VR421 VR426-VR427 VR471-VR471 VS051-VS052 VS066-VS070 VS073-VS073 VS196-VS199 VS246-VS248 VS266-VS268
92	22 PA	D00819	15	31-51-12	GDX0002 D..	2	N2	3		VF251-VF260 VK181-VK190 VL806-VL810 VL871-VL880 VL931-VL945 VN096-VN110 VN174-VN190 VN657-VN670 VN968-VN970 VR461-VR461 VS061-VS061 VS091-VS094 VS111-VS111 VS131-VS132 VS176-VS177 VS186-VS187 VS206-VS207 VS261-VS262

286T0045-101
Wire Bundle Assembly
Figure 101 (Sheet 60)

25-71-02

WIRE		FROM EQUIPMENT			TO EQUIPMENT			WIRE INFO			
NUMBER	GA	TYP	NUMBER	TERM	WD REF	NUMBER	TERM	EMC / SEP	FT	NOTE	EFFECTIVITY
92	22	PA	D00819	15	31-51-12	GDX0002	D..	2	N2	2	VA001-VB410 VB421-VE180 VF001-VF011 VF021-VF110 VF161-VF180 VK001-VK180 VL001-VL040 VL701-VL790 VL796-VL805 VL891-VL930 VM999-VN095 VN111-VN173 VN191-VN340 VN371-VN656 VN671-VN960 VN966-VN967 VN971-VN990 VR401-VR401 VR421-VR421 VR426-VR427 VR471-VR471 VS051-VS052 VS066-VS070 VS073-VS073 VS196-VS199 VS246-VS248 VS266-VS268
93	24	PV	D00819	30	31-51-12	D00813	13	N2	4		VF251-VF260 VK181-VK190 VL806-VL810 VL871-VL880 VL931-VL945 VN096-VN110 VN174-VN190 VN657-VN670 VN968-VN970 VR461-VR461 VS061-VS061 VS091-VS094 VS111-VS111 VS131-VS132 VS176-VS177 VS186-VS187 VS206-VS207 VS261-VS262
93	24	PV	D00819	30	31-51-12	D00813	13	N2	3		VA001-VB410 VB421-VE180 VF001-VF011 VF021-VF110 VF161-VF180 VK001-VK180 VL001-VL040 VL701-VL790 VL796-VL805 VL891-VL930 VM999-VN095 VN111-VN173 VN191-VN340 VN371-VN656 VN671-VN960 VN966-VN967 VN971-VN990 VR401-VR401 VR421-VR421 VR426-VR427 VR471-VR471 VS051-VS052 VS066-VS070 VS073-VS073 VS196-VS199 VS246-VS248 VS266-VS268
093Z			D00813	DED	31-51-12	D00819		N2			
94	20	PA	SM00032	W	31-51-12	GDX0005	D..	2	N2		
95	24	PV	D01505	X2	31-51-12	D00813	75	N2	5		VF251-VF260 VK181-VK190 VL806-VL810 VL871-VL880 VL931-VL945 VN096-VN110 VN174-VN190 VN657-VN670 VN968-VN970 VR461-VR461 VS111-VS111 VS131-VS132 VS177-VS177 VS186-VS187 VS206-VS207
95	24	PV	D01505	X2	31-51-12	D00813	75	N2	3		VS061-VS061 VS091-VS094 VS176-VS176 VS261-VS262
95	24	PV	D01505	X2	31-51-12	D00813	75	N2	3		

286T0045-101
Wire Bundle Assembly
Figure 101 (Sheet 61)

25-71-02



BOEING
COMPONENT
MAINTENANCE MANUAL

WIRE		FROM EQUIPMENT			TO EQUIPMENT			WIRE INFO		
NUMBER	GA TYP	NUMBER	TERM TT	WD REF	NUMBER	TERM TT	EMC/SEP	FT	NOTE	EFFECTIVITY
095Z		D00813	DED	31-51-12	D01505		N2			VA001-VA300 VA316-VB100 VB124-VB370 VB374-VB410 VB421-VE180 VF001-VF011 VF021-VF110 VF161-VF180 VK001-VK180 VL001-VL040 VL701-VL790 VL796-VL805 VL891-VL930 VM999-VN095 VN111-VN173 VN191-VN340 VN371-VN656 VN671-VN960 VN966-VN967 VN971-VN990 VR401-VR401 VR421-VR421 VR426-VR427 VR471-VR471 VS051-VS052 VS066-VS070 VS073-VS073 VS196-VS199 VS246-VS248 VS266-VS268
96	24 PV	D01505	X1	31-51-12	SM00016	W	N2	3		VA301-VA315 VB101-VB123 VB371-VB373
96	24 PV	D01505	X1	31-51-12	SM00016	W	N2	3	MZK-T2	VF251-VF260 VK181-VK190 VL806-VL810 VL871-VL880 VL931-VL945 VN096-VN110 VN174-VN190 VN657-VN670 VN968-VN970 VR461-VR461 VS061-VS061 VS091-VS094 VS111-VS111 VS131-VS132 VS176-VS177 VS186-VS187 VS206-VS207 VS261-VS262
96	24 PV	D01505	X1	31-51-12	SM00016	W	N2	1		VA001-VA300 VA316-VB100 VB124-VB370 VB374-VB410 VB421-VE180 VF001-VF011 VF021-VF110 VF161-VF180 VK001-VK180 VL001-VL040 VL701-VL790 VL796-VL805 VL891-VL930 VM999-VN095 VN111-VN173 VN191-VN340 VN371-VN656 VN671-VN960 VN966-VN967 VN971-VN990 VR401-VR401 VR421-VR421 VR426-VR427 VR471-VR471 VS051-VS052 VS066-VS070 VS073-VS073 VS196-VS199 VS246-VS248 VS266-VS268
096Z		SM00016	REF	31-51-12	D01505		N2			
97	24 PV	D00813	46	31-51-12	SM00016	W	N2	4		VA301-VA315 VB101-VB123 VB371-VB373
97	24 PV	D00813	46	31-51-12	SM00016	W	N2	4	MZK-T2	VF251-VF260 VK181-VK190 VL806-VL810 VL871-VL880 VL931-VL945 VN096-VN110 VN174-VN190 VN657-VN670 VN968-VN970 VR461-VR461 VS111-VS111 VS131-VS132 VS177-VS177 VS186-VS187 VS206-VS207

286T0045-101
Wire Bundle Assembly
Figure 101 (Sheet 62)

25-71-02

WIRE		FROM EQUIPMENT			TO EQUIPMENT			WIRE INFO		
NUMBER	GA TYP	NUMBER	TERM TT	WD REF	NUMBER	TERM TT	EMC/SEP	FT	NOTE	EFFECTIVITY
97	24 PV	D00813	46	31-51-12	SM00016	W	N2	2		VS061-VS061 VS091-VS094 VS176-VS176 VS261-VS262
97	24 PV	D00813	46	31-51-12	SM00016	W	N2	2		VA001-VA001 VA701-VA712 VB001-VB002 VB051-VB055
097Z		SM00016	REF	31-51-12	D00813	DED	N2			VB201-VB202 VB281-VB284 VB401-VB401 VE041-VE043
98	20 PA	SM00033	W	31-51-12	GDX0005	D..	N2			VE061-VE068 VE116-VE116
99	24 PV	SM00016	W	31-51-12	N00113	4	N2	3	EBS-T8	VA002-VA020 VA501-VA519 VA801-VA810 VB301-VB301
99	24 PV	SM00016	W	31-51-12	D11553	25	N2	3	MPP-T2	VE021-VE023 VE101-VE103
										VA021-VA300 VA316-VA500 VA520-VA700 VA713-VA800
										VA811-VA999 VB003-VB050 VB056-VB100 VB124-VB200
										VB203-VB250 VB254-VB280 VB285-VB300 VB303-VB320
										VB325-VB370 VB374-VB400 VB402-VB410 VB421-VD999
										VE003-VE020 VE024-VE040 VE044-VE060 VE069-VE100
										VE104-VE115 VE118-VE180 VF001-VF011 VF021-VF110
										VF161-VF180 VR001-VK180 VL001-VL040 VL701-VL790
										VL796-VL805 VL911-VL930 VM999-VN095 VN111-VN173
										VN191-VN340 VN371-VN656 VN671-VN960 VN966-VN967
										VN971-VN990 VR401-VR401 VR421-VR421 VR426-VR427
										VR471-VR471 VS051-VS052 VS066-VS070 VS073-VS073
										VS196-VS199 VS246-VS248 VS266-VS268
99	24 PK	SM00016	W	31-51-12	D11553	25	N2	3		VA301-VA315 VB101-VB123 VB371-VB373
99	24 PK	SM00016	W	31-51-12	D11553	25	N2	3	MEE-F2	VB251-VB253
99	24 PV	SM00016	W	31-51-12	D11553	25	N2	3	MPP-T2	VB302-VB302
99	24 PV	SM00016	W	31-51-12	D11553	25	N2	3	EBS-T8	VB321-VB322
99	24 PV	SM00016	W	31-51-12	N00113	4	N2	3	EBS-T8	VB323-VB324
99	24 PV	SM00016	W	31-51-12	D11553	25	N2	3	EBS-T8	VE001-VE002
99	24 PV	SM00016	W	31-51-12	D11553	25	N2	3	EBS-T8	VE117-VE117

 286T0045-101
 Wire Bundle Assembly
 Figure 101 (Sheet 63)

25-71-02



BOEING
COMPONENT
MAINTENANCE MANUAL

WIRE		FROM EQUIPMENT			TO EQUIPMENT			WIRE INFO		
NUMBER	GA TYP	NUMBER	TERM TT	WD REF	NUMBER	TERM TT	EMC/SEP	FT	NOTE	EFFECTIVITY
99	24	PV	SM00016	31-51-12	D11553	25	N2	5	MPP-T2	VF251-VF260 VK181-VK190 VL806-VL810 VL871-VL880 VL931-VL945 VN096-VN110 VN174-VN190 VN657-VN670 VN968-VN970 VR461-VR461 VS061-VS061 VS091-VS094 VS111-VS111 VS131-VS132 VS176-VS177 VS186-VS187 VS206-VS207 VS261-VS262
99	24	PK	SM00016	31-51-12	D11553	25	N2	1		VL891-VL910
99	24	PK	SM00016	31-51-12	D11553	25	N2	3		VA001-VA001 VA701-VA712 VB001-VB002 VB051-VB055 VB201-VB202 VB281-VB284 VB401-VB401 VE041-VE043 VE061-VE068 VE116-VE116
099Z			SM00016	REF	N00113	DED	N2			VA002-VA020 VA501-VA519 VA801-VA810 VB301-VB301 VB323-VB324 VE021-VE023 VE101-VE103
099Z			SM00016	REF	D11553	DED	N2			VB251-VB253 VB302-VB302 VE001-VE002 VE117-VE117
099Z			SM00016	REF	D11553	DED	N2			VB321-VB322
099Z			SM00016	REF	N00113	DED	N2			VR427-VR427 VR471-VR471 VS052-VS052 VS069-VS070 VS073-VS073 VS131-VS132 VS196-VS199 VS246-VS248 VS266-VS266
10A	24	PK	D01489	31-51-33	D04349J	23	N2	4		VS061-VS061 VS091-VS094
10A	24	PK	D01489	31-51-33	D04349J	23	N2	2		VA001-VA001 VA701-VA712 VB001-VB002 VB051-VB055 VB201-VB202 VB281-VB284 VB321-VB322 VB401-VB401 VE041-VE043 VE061-VE068 VE116-VE116
100	20	PA	S00560	31-51-12	GDX0003	D..	N2	4		VA002-VA020 VA501-VA519 VA801-VA810 VB251-VB253 VB301-VB301 VB323-VB324 VE001-VE002 VE021-VE023 VE101-VE103

286T0045-101
Wire Bundle Assembly
Figure 101 (Sheet 64)

25-71-02

WIRE			FROM EQUIPMENT			TO EQUIPMENT			WIRE INFO				
NUMBER	GA	TYP	NUMBER	TERM	TT	WD REF	NUMBER	TERM	TT	EMC/SEP	FT	NOTE	EFFECTIVITY
100	20	PA	D11553	1		31-51-12	GDX0003	D..	2	N2	4	MPP-F2	VA021-VA300 VA316-VA500 VA520-VA700 VA713-VA800 VA811-VA999 VB003-VB050 VB056-VB100 VB124-VB200 VB203-VB250 VB254-VB280 VB285-VB300 VB303-VB320 VB325-VB370 VB374-VB400 VB402-VB410 VB421-VB999 VE003-VE020 VE024-VE040 VE044-VE060 VE069-VE100 VE104-VE115 VE118-VE180 VF001-VF011 VF021-VF110 VF161-VF170 VK001-VK180 VL001-VL040 VL701-VL790 VL796-VL805 VL911-VL930 VM999-VN095 VN111-VN173 VN191-VN340 VN371-VN656 VN671-VN960 VN966-VN967 VN971-VN990 VR401-VR401 VR421-VR421 VR426-VR427 VR471-VR471 VS051-VS052 VS066-VS070 VS073-VS073 VS196-VS199 VS246-VS248 VS266-VS268
100	20	PA	D11553	1		31-51-12	GDX0003	D..	2	N2	4		VA301-VA315 VE101-VE123 VB371-VB373
100	20	PA	D11553	1		31-51-12	GDX0003	D..	2	N2	4	MZK-F2	VB302-VB302 VF171-VF180
100	20	PA	D11553	1		31-51-12	GDX0003	D..	2	N2	4		VE117-VE117
100	20	PA	D11553	1		31-51-12	GDX0003	D..	2	N2	4	MPP-F2	VF251-VF260
100	20	PA	D11553	1		31-51-12	GDX0003	D..	2	N2	2		VK181-VK190 VL806-VL810 VL871-VL880 VL931-VL945 VN096-VN110 VN174-VN190 VN657-VN670 VN968-VN970 VR461-VR461 VS061-VS061 VS091-VS094 VS111-VS111 VS131-VS132 VS176-VS177 VS186-VS187 VS206-VS207 VS261-VS262
100	20	PA	D11553	1		31-51-12	GDX0003	D..	2	N2	2		VL891-VL910
100	20	PA	D11553	1		31-51-12	GDX0003	D..	2	N2	4		VA001-VB410 VB421-VE180 VF001-VF011 VF021-VF110 VF161-VF180 VK001-VK180 VL001-VL040 VL701-VL790 VL796-VL805 VL891-VL930 VM999-VN095 VN111-VN173 VN191-VN340 VN371-VN656 VN671-VN960 VN966-VN967 VN971-VN990 VR401-VR401 VR421-VR421 VR426-VR427 VR471-VR471 VS051-VS052 VS066-VS070 VS073-VS073 VS196-VS199 VS246-VS248 VS266-VS268

286T0045-101
Wire Bundle Assembly
Figure 101 (Sheet 65)

25-71-02



BOEING
COMPONENT
MAINTENANCE MANUAL

WIRE		FROM EQUIPMENT			TO EQUIPMENT			WIRE INFO		
NUMBER	GA TYP	NUMBER	TERM TT	WD REF	NUMBER	TERM TT	EMC/SEP	FT	NOTE	EFFECTIVITY
101	20 UA	D00821		31-51-12	GDX0004	S.. 2	N2	4		VF251-VF260 VK181-VK190 VL806-VL810 VL871-VL880 VL931-VL945 VN096-VN110 VN174-VN190 VN657-VN670 VN968-VN970 VR461-VR461 VS061-VS061 VS091-VS094 VS111-VS111 VS131-VS132 VS176-VS177 VS186-VS187 VS206-VS207 VS261-VS262
101	20 UA	D00821		31-51-12	GDX0004	S.. 2	N2	2		VA001-VB410 VB421-VE180 VF001-VF011 VF021-VF110 VF161-VF180 VK001-VK180 VL001-VL040 VL701-VL790 VL796-VL805 VL891-VL930 VM999-VN095 VN111-VN173 VN191-VN340 VN371-VN656 VN671-VN960 VN966-VN967 VN971-VN990 VR401-VR401 VR421-VR421 VR426-VR427 VR471-VR471 VS051-VS052 VS066-VS070 VS073-VS073 VS196-VS199 VS246-VS248 VS266-VS268
102	20 UA	D00819		31-51-12	GDX0004	S.. 2	N2	3		VF251-VF260 VK181-VK190 VL806-VL810 VL871-VL880 VL931-VL945 VN096-VN110 VN174-VN190 VN657-VN670 VN968-VN970 VR461-VR461 VS061-VS061 VS091-VS094 VS111-VS111 VS131-VS132 VS176-VS177 VS186-VS187 VS206-VS207 VS261-VS262
102	20 UA	D00819		31-51-12	GDX0004	S.. 2	N2	2		VA001-VB410 VB421-VE180 VF001-VF011 VF021-VF110 VF161-VF180 VK001-VK180 VL001-VL040 VL701-VL790 VL796-VL805 VL891-VL930 VM999-VN095 VN111-VN173 VN191-VN340 VN371-VN656 VN671-VN960 VN966-VN967 VN971-VN990 VR401-VR401 VR421-VR421 VR426-VR427 VR471-VR471 VS051-VS052 VS066-VS070 VS073-VS073 VS196-VS199 VS246-VS248 VS266-VS268

286T0045-101
Wire Bundle Assembly
Figure 101 (Sheet 66)

25-71-02

TESTING & TROUBLE SHOOTING
01 Page 114C

Nov 01/02

WIRE		FROM EQUIPMENT			TO EQUIPMENT			WIRE INFO			
NUMBER	GA	TYP	NUMBER	TERM TT	WD REF	NUMBER	TERM TT	EMC/SEP	FT	NOTE	EFFECTIVITY
103	20	UA	D01433		31-51-12	GDX0004	S.. 2	N2	3		VF251-VF260 VK181-VK190 VL806-VL810 VL871-VL880 VL931-VL945 VN096-VN110 VN174-VN190 VN657-VN670 VN968-VN970 VR461-VR461 VS061-VS061 VS091-VS094 VS111-VS111 VS131-VS132 VS176-VS177 VS186-VS187 VS206-VS207 VS261-VS262
103	20	UA	D01433		31-51-12	GDX0004	S.. 2	N2	2		VA001-VB410 VB421-VE180 VF001-VF011 VF021-VF110 VF161-VF180 VK001-VK180 VL001-VL040 VL701-VL790 VL796-VL805 VL891-VL930 VM999-VN095 VN111-VN173 VN191-VN340 VN371-VN656 VN671-VN960 VN966-VN967 VN971-VN990 VR401-VR401 VR421-VR421 VR426-VR427 VR471-VR471 VS051-VS052 VS066-VS070 VS073-VS073 VS196-VS199 VS246-VS248 VS266-VS268
104	20	UA	D01505		31-51-12	GDX0005	S.. 2	N2	4		VF251-VF260 VK181-VK190 VL806-VL810 VL871-VL880 VL931-VL945 VN096-VN110 VN174-VN190 VN657-VN670 VN968-VN970 VR461-VR461 VS061-VS061 VS091-VS094 VS111-VS111 VS131-VS132 VS176-VS177 VS186-VS187 VS206-VS207 VS261-VS262
104	20	UA	D01505		31-51-12	GDX0005	S.. 2	N2	2		VA001-VA001 VA701-VA712 VB001-VB002 VB051-VB055 VB201-VB202 VB281-VB284 VB401-VB401 VE041-VE043 VE061-VE068 VE116-VE116
105	20	UA	M00113		31-51-12	GDX0005	S.. 2	N2	4		VA002-VA020 VA501-VA519 VA801-VA810 VB301-VB302 VE021-VE023 VE101-VE103
105	20	UA	D11553		31-51-12	GDX0005	S.. 2	N2	4		VB321-VB322

286T0045-101
Wire Bundle Assembly
Figure 101 (Sheet 67)

25-71-02



BOEING
COMPONENT
MAINTENANCE MANUAL

WIRE		FROM EQUIPMENT			TO EQUIPMENT			WIRE INFO		
NUMBER	GA TYP	NUMBER	TERM TT	WD REF	NUMBER	TERM TT	EMC/SEP	FT	NOTE	EFFECTIVITY
105	20	UA N00113		31-51-12	GDX0005	S.. 2	N2	4		VA001-VB410 VB421-VE180 VF001-VF011 VF021-VF110 VF161-VF180 VK001-VK180 VL001-VL040 VL701-VL790 VL796-VL805 VL891-VL930 VM999-VN095 VN111-VN173 VN191-VN340 VN371-VN656 VN671-VN960 VN966-VN967 VN971-VN990 VR401-VR401 VR421-VR421 VR426-VR427 VR471-VR471 VS051-VS052 VS066-VS070 VS073-VS073 VS196-VS199 VS246-VS248 VS266-VS268
106	20	UA D00815		31-51-12	GDX0004	S.. 2	N2	3		VF251-VF260 VK181-VK190 VL806-VL810 VL871-VL880 VL931-VL945 VN096-VN110 VN174-VN190 VN657-VN670 VN968-VN970 VR461-VR461 VS061-VS061 VS091-VS094 VS111-VS111 VS131-VS132 VS176-VS177 VS186-VS187 VS206-VS207 VS261-VS262
106	20	UA D00815		31-51-12	GDX0004	S.. 2	N2	2		VA001-VB410 VB421-VE180 VF001-VF011 VF021-VF110 VF161-VF180 VK001-VK180 VL001-VL040 VL701-VL790 VL796-VL805 VL891-VL930 VM999-VN095 VN111-VN173 VN191-VN340 VN371-VN656 VN671-VN960 VN966-VN967 VN971-VN990 VR401-VR401 VR421-VR421 VR426-VR427 VR471-VR471 VS051-VS052 VS066-VS070 VS073-VS073 VS196-VS199 VS246-VS248 VS266-VS268
107	20	UA D01381		31-51-12	GDX0004	S.. 2	N2	3		VF251-VF260 VK181-VK190 VL806-VL810 VL871-VL880 VL931-VL945 VN096-VN110 VN174-VN190 VN657-VN670 VN968-VN970 VR461-VR461 VS061-VS061 VS091-VS094 VS111-VS111 VS131-VS132 VS176-VS177 VS186-VS187 VS206-VS207 VS261-VS262
107	20	UA D01381		31-51-12	GDX0004	S.. 2	N2	2		VA001-VA001 VA701-VA712 VB001-VB002 VB051-VB055 VB201-VB202 VB281-VB284 VB401-VB401 VE041-VE043 VE061-VE068 VE116-VE116 VB321-VB322
108	24	PK N00113	3 \$	31-51-12	S00560	2NO Z	N2	2		

286T0045-101
Wire Bundle Assembly
Figure 101 (Sheet 68)

25-71-02

WIRE		FROM EQUIPMENT			TO EQUIPMENT			WIRE INFO		
NUMBER	GA TYP	NUMBER	TERM TT	WD REF	NUMBER	TERM TT	EMC / SEP	FT	NOTE	EFFECTIVITY
108	24 PK	N00113	3 \$	31-51-12	S00560	2NO Z	N2	2		VA001-VB410 VB421-VE180 VF001-VF011 VF021-VF110 VF161-VF180 VK001-VK180 VL001-VL040 VL701-VL790 VL796-VL805 VL891-VL930 VM999-VN095 VN111-VN173 VN191-VN340 VN371-VN656 VN671-VN960 VN966-VN967 VN971-VN990 VR401-VR401 VR421-VR421 VR426-VR427 VR471-VR471 VS051-VS052 VS066-VS070 VS073-VS073 VS196-VS199 VS246-VS248 VS266-VS268
109	20 UA	D00817		31-51-12	GDX0004	S.. 2	N2	4		VF251-VF260 VK181-VK190 VL806-VL810 VL871-VL880 VL931-VL945 VN096-VN110 VN174-VN190 VM657-VN670 VN968-VN970 VR461-VR461 VS061-VS061 VS091-VS094 VS111-VS111 VS131-VS132 VS176-VS177 VS186-VS187 VS206-VS207 VS261-VS262
109	20 UA	D00817		31-51-12	GDX0004	S.. 2	N2	2		VA001-VB410 VB421-VE180 VF001-VF011 VF021-VF110 VF161-VF180 VK001-VK180 VL001-VL040 VL701-VL790 VL796-VL805 VL891-VL930 VM999-VN095 VN111-VN173 VN191-VN340 VN371-VN656 VN671-VN960 VN966-VN967 VN971-VN990 VR401-VR401 VR421-VR421 VR426-VR427 VR471-VR471 VS051-VS052 VS066-VS070 VS073-VS073 VS196-VS199 VS246-VS248 VS266-VS268
110	20 UA	D01487		31-51-12	GDX0001	S.. 2	N2	4		VF251-VF260 VK181-VK190 VL806-VL810 VL871-VL880 VL931-VL945 VN096-VN110 VN174-VN190 VM657-VN670 VN968-VN970 VR461-VR461 VS061-VS061 VS091-VS094 VS111-VS111 VS131-VS132 VS176-VS177 VS186-VS187 VS206-VS207 VS261-VS262

286T0045-101
Wire Bundle Assembly
Figure 101 (Sheet 69)

25-71-02



BOEING
COMPONENT
MAINTENANCE MANUAL

WIRE		FROM EQUIPMENT			TO EQUIPMENT			WIRE INFO		
NUMBER	GA TYP	NUMBER	TERM TT	WD REF	NUMBER	TERM TT	EMC/ SEP	FT	NOTE	EFFECTIVITY
110	20 UA	D01487		31-51-12	GDX0001	S..	2 N2	2		VA001-VB410 VB421-VE180 VF001-VF011 VF021-VF110 VF161-VF180 VK001-VK180 VL001-VL040 VL701-VL790 VL796-VL805 VL891-VL930 VM999-VN095 VN111-VN173 VN191-VN340 VN371-VN656 VN671-VN960 VN966-VN967 VN971-VN990 VR401-VR401 VR421-VR421 VR426-VR427 VR471-VR471 VS051-VS052 VS066-VS070 VS073-VS073 VS196-VS199 VS246-VS248 VS266-VS268
111	20 UA	D01489		31-51-12	GDX0001	S..	2 N2	4		VF251-VF260 VK181-VK190 VL806-VL810 VL871-VL880 VL931-VL945 VN096-VN110 VN174-VN190 VN657-VN670 VN968-VN970 VR461-VR461 VS061-VS061 VS091-VS094 VS111-VS111 VS131-VS132 VS176-VS177 VS186-VS187 VS206-VS207 VS261-VS262
111	20 UA	D01489		31-51-12	GDX0001	S..	2 N2	2		VA001-VB410 VB421-VE117 VE121-VE180 VF001-VF011 VF021-VF110 VF161-VF180 VK001-VK160 VK171-VK180 VL001-VL040 VL701-VL790 VL796-VL805 VL891-VL930 VM999-VN095 VN151-VN173 VN191-VN340 VN371-VN375 VN381-VN530 VN631-VN656 VN671-VN820 VN921-VN960 VN966-VN967 VN971-VN990 VR401-VR401 VR421-VR421 VR426-VR427 VR471-VR471 VS051-VS052 VS066-VS070 VS073-VS073 VS196-VS199 VS266-VS268
112	22 PA	D00815	15	31-51-12	GDX0001	D..	2 N2	4		VE118-VE120 VK161-VK170 VN111-VN150 VN376-VN380 VN531-VN630 VN821-VN920 VS246-VS248
112	22 PA	D00815	15	31-51-12	GDX0001	D..	2 N2	4		VF251-VF260 VK181-VK190 VL806-VL810 VL871-VL880 VL931-VL945 VN096-VN110 VN174-VN190 VN657-VN670 VN968-VN970 VR461-VR461 VS061-VS061 VS091-VS094 VS111-VS111 VS131-VS132 VS176-VS177 VS186-VS187 VS206-VS207 VS261-VS262

286T0045-101
Wire Bundle Assembly
Figure 101 (Sheet 70)

25-71-02

TESTING & TROUBLE SHOOTING
01 Page 114G

Nov 01/02

WIRE			FROM EQUIPMENT			TO EQUIPMENT			WIRE INFO				
NUMBER	GA	TYP	NUMBER	TERM	TT	WD REF	NUMBER	TERM	TT	EMC/ SEP	FT	NOTE	EFFECTIVITY
112	22	PA	D00815	15		31-51-12	GDX0001	D..	2	N2	2		VA001-VB410 VB421-VE180 VF001-VF011 VF021-VF110 VF161-VF180 VK001-VK180 VL001-VL040 VL701-VL790 VL796-VL805 VL891-VL930 VM999-VN095 VN111-VN173 VN191-VN340 VN371-VN656 VM671-VN960 VN966-VN967 VN971-VN990 VR401-VR401 VR421-VR421 VR426-VR427 VR471-VR471 VS051-VS052 VS066-VS070 VS073-VS073 VS196-VS199 VS246-VS248 VS266-VS268
113	24	PK	D01505	A2		31-51-12	SM00005	W		N2	3		VF251-VF260 VK181-VK190 VL806-VL810 VL871-VL880 VL931-VL945 VM096-VN110 VN174-VN190 VM657-VN670 VN968-VN970 VR461-VR461 VS061-VS061 VS091-VS094 VS111-VS111 VS131-VS132 VS176-VS177 VS186-VS187 VS206-VS207 VS261-VS262
113	24	PK	D01505	A2		31-51-12	SM00005	W		N2	1		VA001-VB410 VB421-VE180 VF001-VF011 VF021-VF110 VF161-VF180 VK001-VK180 VL001-VL040 VL701-VL790 VL796-VL805 VL891-VL930 VM999-VN095 VN111-VN173 VN191-VN340 VN371-VN656 VM671-VN960 VN966-VN967 VN971-VN990 VR401-VR401 VR421-VR421 VR426-VR427 VR471-VR471 VS051-VS052 VS066-VS070 VS073-VS073 VS196-VS199 VS246-VS248 VS266-VS268
114	20	PA	D01505	A3		31-51-12	GDX0003	D..	2	N2	4		VF251-VF260 VK181-VK190 VL806-VL810 VL871-VL880 VL931-VL945 VM096-VN110 VN174-VN190 VM657-VN670 VN968-VN970 VR461-VR461 VS061-VS061 VS091-VS094 VS111-VS111 VS131-VS132 VS176-VS177 VS186-VS187 VS206-VS207 VS261-VS262

286T0045-101
Wire Bundle Assembly
Figure 101 (Sheet 71)

25-71-02



BOEING
COMPONENT
MAINTENANCE MANUAL

WIRE		FROM EQUIPMENT			TO EQUIPMENT			WIRE INFO			
NUMBER	GA TYP	PA	NUMBER	TERM TT	WD REF	NUMBER	TERM TT	EMC / SEP	FT	NOTE	EFFECTIVITY
114	20	PA	D01505	A3	31-51-12	GDX0003	D..	2	N2	2	VBA41-VB450 VE118-VE120 VE171-VE180 VF051-VF110 VF161-VF180 VK055-VK080 VK100-VK111 VK131-VK140 VK161-VK180 VL751-VL790 VL796-VL805 VL891-VL930 VM999-VM999 VN016-VN050 VN063-VN080 VN093-VN095 VN111-VN170 VN191-VN197 VN199-VN290 VN301-VN340 VN371-VN656 VN671-VN750 VN791-VN960 VN966-VN967 VN971-VN990 VR421-VR421 VR471-VR471 VS051-VS052 VS066-VS070 VS073-VS073 VS196-VS199 VS246-VS248 VS266-VS268
115	24	PK	D02261	21	21-61-51	D04347J	25	N2	4		VF251-VF260 VL806-VL810 VL871-VL880 VL931-VL945 VN096-VN110 VN174-VN190 VN657-VN670 VN968-VN970 VS061-VS061 VS091-VS094 VS111-VS111 VS131-VS132 VS176-VS177 VS186-VS187 VS206-VS207 VS261-VS262
115	24	PK	D02261	21	21-61-51	D04347J	25	N2	2		VK141-VK160 VL701-VL750 VN291-VN300 VN751-VN790 VR426-VR427 VN198-VN198
115	24	PK	D02261	21	21-61-51	D04347J	25	N2	3		VA001-VB410 VB421-VE180 VF001-VF011 VF021-VF110 VF161-VF180 VK001-VK180 VL001-VL040 VL701-VL790 VL796-VL805 VL891-VL930 VM999-VN095 VN111-VN173 VN191-VN340 VN371-VN656 VN671-VN960 VN966-VN967 VN971-VN990 VR401-VR401 VR421-VR421 VR426-VR427 VR471-VR471 VS051-VS052 VS066-VS070 VS073-VS073 VS196-VS199 VS246-VS248 VS266-VS268
115	24	PK	D02261	CAP Y	21-61-51	D04347J	25	N2	4		
116	24	PK	D00815	21	31-51-12	SM00023	W	N2	3		VF251-VF260 VK181-VK190 VL806-VL810 VL871-VL880 VL931-VL945 VN096-VN110 VN174-VN190 VN657-VN670 VN968-VN970 VR461-VR461 VS061-VS061 VS091-VS094 VS111-VS111 VS131-VS132 VS176-VS177 VS186-VS187 VS206-VS207 VS261-VS262

286T0045-101
Wire Bundle Assembly
Figure 101 (Sheet 72)

25-71-02

WIRE				FROM EQUIPMENT				TO EQUIPMENT				WIRE INFO			
NUMBER	GA	TYP	PK	NUMBER	TERM	TT	WD REF	NUMBER	TERM	TT	EMC/SEP	FT	NOTE	EFFECTIVITY	
116	24	PK	D00815		21		31-51-12	SM00023	W		N2	1		VA001-VB410 VB421-VE180 VF001-VF011 VF021-VF110 VF161-VF180 VK001-VK180 VL001-VL040 VL701-VL790 VL796-VL805 VL891-VL930 VM999-VN095 VN111-VN173 VN191-VN340 VN371-VN656 VN671-VN960 VN966-VN967 VN971-VN990 VR401-VR401 VR421-VR421 VR426-VR427 VR471-VR471 VS051-VS052 VS066-VS070 VS073-VS073 VS196-VS199 VS246-VS248 VS266-VS268	
117	24	PK	D00813		63		31-51-12	SM00023	W		N2	4		VF251-VF260 VK181-VK190 VL806-VL810 VL871-VL880 VL931-VL945 VN096-VN110 VN174-VN190 VN657-VN670 VN968-VN970 VR461-VR461 VS111-VS111 VS131-VS132 VS177-VS177 VS186-VS187 VS206-VS207	
117	24	PK	D00813		63		31-51-12	SM00023	W		N2	2		VS061-VS061 VS091-VS094 VS176-VS176 VS261-VS262	
117	24	PK	D00813		63		31-51-12	SM00023	W		N2	2		VA001-VA001 VA701-VA712 VB001-VB002 VB051-VB055 VB201-VB202 VB281-VB284 VB321-VB322 VB401-VB401 VE041-VE043 VE061-VE068 VE116-VE116	
118	24	PK	D00823		37		31-51-12	SM00023	W		N2	2		VA002-VA020 VA301-VA315 VA501-VA530 VA801-VAB10 VB301-VB301 VB371-VB373 VE021-VE023 VE101-VE103	

286T0045-101
Wire Bundle Assembly
Figure 101 (Sheet 73)

25-71-02



BOEING
COMPONENT
MAINTENANCE MANUAL

WIRE			FROM EQUIPMENT			TO EQUIPMENT			WIRE INFO				
NUMBER	GA	TYP	NUMBER	TERM	TT	WD REF	NUMBER	TERM	TT	EMC/SEP	FT	NOTE	EFFECTIVITY
118	24	PK	D00823	1		31-51-12	SM00023			W N2	2	MZK-F2	VA021-VA300 VA316-VA500 VA531-VA700 VA713-VA800 VA811-VA999 VB003-VB050 VB056-VB200 VB203-VB280 VB285-VB300 VB302-VB320 VB323-VB370 VB374-VB400 VB402-VB410 VB421-VE020 VE024-VE040 VE044-VE060 VE069-VE100 VE104-VE115 VE117-VE180 VF001-VF011 VF021-VF110 VF161-VF180 VK001-VK180 VL001-VL040 VL701-VL790 VL796-VL805 VL891-VL930 VM999-VN095 VN111-VN173 VN191-VN340 VN371-VN656 VN671-VN960 VN966-VN967 VN971-VN990 VR401-VR401 VR421-VR421 VR426-VR427 VR471-VR471 VS051-VS052 VS066-VS070 VS073-VS073 VS196-VS199 VS246-VS248 VS266-VS268
118	24	PK	D00823	1		31-51-12	SM00023			W N2	2		VF251-VF260 VK181-VK190 VL806-VL810 VL871-VL880 VL931-VL945 VN096-VN110 VN174-VN190 VN657-VN670 VN968-VN970 VR461-VR461 VS061-VS061 VS091-VS094 VS111-VS111 VS131-VS132 VS176-VS177 VS186-VS187 VS206-VS207 VS261-VS262
118	24	PK	D00823	1		31-51-12	SM00023			W N2	1		VA001-VA001 VA701-VA712 VB001-VB002 VB051-VB055 VB201-VB202 VB281-VB284 VB321-VB322 VB401-VB401 VE041-VE043 VE061-VE068 VE116-VE116
119	24	PK	D01381	37		31-51-12	SM00023			W N2	2		VA002-VA020 VA301-VA315 VA501-VA530 VA801-VA810 VB301-VB301 VB371-VB373 VE021-VE023 VE101-VE103

286T0045-101
Wire Bundle Assembly
Figure 101 (Sheet 74)

25-71-02

WIRE		FROM EQUIPMENT			TO EQUIPMENT			WIRE INFO					
NUMBER	GA	TYP	NUMBER	TERM	TT	WD REF	NUMBER	TERM	TT	EMC/SEP	FT	NOTE	EFFECTIVITY
119	24	PK	D01381	1		31-51-12	SM00023	W		N2	2	MZK-F2	VA021-VA300 VA316-VA500 VA531-VA700 VA713-VA800 VA811-VA999 VB003-VB050 VB056-VB200 VB203-VB280 VB285-VB300 VB302-VB320 VB323-VB370 VB374-VB400 VB402-VB410 VB421-VE020 VE024-VE040 VE044-VE060 VE069-VE100 VE104-VE115 VE117-VE180 VF001-VF011 VF021-VF110 VF161-VF180 VK001-VK180 VL001-VL040 VL701-VL790 VL796-VL805 VL891-VL930 VM999-VN095 VN111-VN173 VN191-VN340 VN371-VN656 VNG71-VN960 VN966-VN967 VN971-VN990 VR401-VR401 VR421-VR421 VR426-VR427 VR471-VR471 VS051-VS052 VS066-VS070 VS073-VS073 VS196-VS199 VS246-VS248 VS266-VS268
119	24	PK	D01381	1		31-51-12	SM00023	W		N2	2		VF251-VF260 VK181-VK190 VL806-VL810 VL871-VL880 VL931-VL945 VN096-VN110 VN174-VN190 VN657-VN670 VN968-VN970 VR461-VR461 VS061-VS061 VS091-VS094 VS111-VS111 VS131-VS132 VS176-VS177 VS186-VS187 VS206-VS207 VS261-VS262
119	24	PK	D01381	1		31-51-12	SM00023	W		N2	1		VA001-VB410 VB421-VE180 VF001-VF011 VF021-VF110 VF161-VF180 VK001-VK180 VL001-VL040 VL701-VL790 VL796-VL805 VL891-VL930 VM999-VN095 VN111-VN173 VN191-VN340 VN371-VN656 VNG71-VN960 VN966-VN967 VN971-VN990 VR401-VR401 VR421-VR421 VR426-VR427 VR471-VR471 VS051-VS052 VS066-VS070 VS073-VS073 VS196-VS199 VS246-VS248 VS266-VS268

286T0045-101
Wire Bundle Assembly
Figure 101 (Sheet 75)

25-71-02



BOEING
COMPONENT
MAINTENANCE MANUAL

WIRE			FROM EQUIPMENT			TO EQUIPMENT			WIRE INFO					
NUMBER	GA	TYP	NUMBER	TERM	TT	WD	REF	NUMBER	TERM	TT	EMC / SEP	FT	NOTE	EFFECTIVITY
120	22	PA	D01381	15		31-51-12		GDX0001	D..	2	N2	3		VF251-VF260 VK181-VK190 VL806-VL810 VL871-VL880 VL931-VL945 VN096-VN110 VN174-VN190 VN657-VN670 VN968-VN970 VR461-VR461 VS061-VS061 VS091-VS094 VS111-VS111 VS131-VS132 VS176-VS177 VS186-VS187 VS206-VS207 VS261-VS262
120	22	PA	D01381	15		31-51-12		GDX0001	D..	2	N2	2		VA001-VB410 VB421-VE180 VF001-VF011 VF021-VF110 VF161-VF180 VK001-VK180 VL001-VL040 VL701-VL790 VL796-VL805 VL891-VL930 VM999-VN095 VN111-VN173 VN191-VN340 VN371-VN656 VN671-VN960 VN966-VN967 VN971-VN990 VR401-VR401 VR421-VR421 VR426-VR427 VR471-VR471 VS051-VS052 VS066-VS070 VS073-VS073 VS196-VS199 VS246-VS248 VS266-VS268
121	24	PK	D00817	56		31-51-12		SM00024	W		N2	3		VF251-VF260 VK181-VK190 VL806-VL810 VL871-VL880 VL931-VL945 VN096-VN110 VN174-VN190 VN657-VN670 VN968-VN970 VR461-VR461 VS061-VS061 VS091-VS094 VS111-VS111 VS131-VS132 VS176-VS177 VS186-VS187 VS206-VS207 VS261-VS262
121	24	PK	D00817	56		31-51-12		SM00024	W		N2	1		VA001-VB410 VB421-VE180 VF001-VF011 VF021-VF110 VF161-VF180 VK001-VK180 VL001-VL040 VL701-VL790 VL796-VL805 VL891-VL930 VM999-VN095 VN111-VN173 VN191-VN340 VN371-VN656 VN671-VN960 VN966-VN967 VN971-VN990 VR401-VR401 VR421-VR421 VR426-VR427 VR471-VR471 VS051-VS052 VS066-VS070 VS073-VS073 VS196-VS199 VS246-VS248 VS266-VS268

286T0045-101
Wire Bundle Assembly
Figure 101 (Sheet 76)

25-71-02

WIRE		FROM EQUIPMENT			TO EQUIPMENT			WIRE INFO		
NUMBER	GA TYP	NUMBER	TERM TT	WD REF	NUMBER	TERM TT	EMC / SEP	FT	NOTE	EFFECTIVITY
122	24 PK	D00813	64	31-51-12	SM00024	W	N2	4		VF251-VF260 VK181-VK190 VL806-VL810 VL871-VL880 VL931-VL945 VN096-VN110 VN174-VN190 VN657-VN670 VN968-VN970 VR461-VR461 VS111-VS111 VS131-VS132 VS177-VS177 VS186-VR187 VS206-VS207
122	24 PK	D00813	64	31-51-12	SM00024	W	N2	2		VS061-VS061 VS091-VS094 VS176-VS176 VS261-VS262
122	24 PK	D00813	64	31-51-12	SM00024	W	N2	2		VA001-VB410 VB421-VE180 VF001-VF011 VF021-VF110 VF161-VF180 VK001-VK180 VL001-VL040 VL701-VL790 VL796-VL805 VL891-VL930 VM999-VN095 VN111-VN173 VN191-VN340 VN371-VN656 VN671-VN960 VN966-VN967 VN971-VN990 VR401-VR401 VR421-VR421 VR426-VR427 VR471-VR471 VS051-VS052 VS066-VS070 VS073-VS073 VS196-VS199 VS246-VS248 VS266-VS268
123	24 PK	D01487	56	31-51-12	SM00024	W	N2	3		VF251-VF260 VK181-VK190 VL806-VL810 VL871-VL880 VL931-VL945 VN096-VN110 VN174-VN190 VN657-VN670 VN968-VN970 VR461-VR461 VS061-VS061 VS091-VS094 VS111-VS111 VS131-VS132 VS176-VS177 VS186-VS187 VS206-VS207 VS261-VS262
123	24 PK	D01487	56	31-51-12	SM00024	W	N2	1		VA001-VB410 VB421-VE117 VE121-VE180 VF001-VF011 VF021-VF110 VF161-VF180 VK001-VK160 VK171-VK180 VL001-VL040 VL701-VL790 VL796-VL805 VL891-VL930 VM999-VN095 VN151-VN173 VN191-VN340 VN371-VN375 VN381-VN530 VN631-VN656 VN671-VN820 VN921-VN960 VN966-VN967 VN971-VN990 VR401-VR401 VR421-VR421 VR426-VR427 VR471-VR471 VS051-VS052 VS066-VS070 VS073-VS073 VS196-VS199 VS266-VS268
124	22 PA	D00823	15	31-51-12	GDX0001 D..	2	N2	3		VE118-VB120 VK161-VK170 VN111-VN150 VN376-VN380 VN531-VN630 VN821-VN920 VS246-VS248

286T0045-101
Wire Bundle Assembly
Figure 101 (Sheet 77)

25-71-02



BOEING
COMPONENT
MAINTENANCE MANUAL

WIRE			FROM EQUIPMENT			TO EQUIPMENT			WIRE INFO				
NUMBER	GA	TYP	NUMBER	TERM	TT	WD REF	NUMBER	TERM	TT	EMC/ SEP	FT	NOTE	EFFECTIVITY
124	22	PA	D00823	15		31-51-12	GDX0001	D..	2	N2	3		VF251-VF260 VK181-VK190 VL806-VL810 VL871-VL880 VL931-VL945 VN096-VN110 VN174-VN190 VN657-VN670 VN968-VN970 VR461-VR461 VS061-VS061 VS091-VS094 VS111-VS111 VS131-VS132 VS176-VS177 VS186-VS187 VS206-VS207 VS261-VS262
124	22	PA	D00823	15		31-51-12	GDX0001	D..	2	N2	2		VA001-VB410 VB421-VE180 VF001-VF011 VF021-VF110 VF161-VF180 VK001-VK180 VL001-VL040 VL701-VL790 VL796-VL805 VL891-VL930 VM999-VN095 VN111-VN173 VN191-VN340 VN371-VN656 VN671-VN960 VN966-VN967 VN971-VN990 VR401-VR401 VR421-VR421 VR426-VR427 VR471-VR471 VS051-VS052 VS066-VS070 VS073-VS073 VS196-VS199 VS246-VS248 VS266-VS268
125	20	UA	D00823			31-51-12	GDX0004	S..	2	N2	3		VF251-VF260 VK181-VK190 VL806-VL810 VL871-VL880 VL931-VL945 VN096-VN110 VN174-VN190 VN657-VN670 VN968-VN970 VR461-VR461 VS061-VS061 VS091-VS094 VS111-VS111 VS131-VS132 VS176-VS177 VS186-VS187 VS206-VS207 VS261-VS262
125	20	UA	D00823			31-51-12	GDX0004	S..	2	N2	2		VA001-VB410 VB421-VE180 VF001-VF011 VF021-VF110 VF161-VF180 VK001-VK180 VL001-VL040 VL701-VL790 VL796-VL805 VL891-VL930 VM999-VN095 VN111-VN173 VN191-VN340 VN371-VN656 VN671-VN960 VN966-VN967 VN971-VN990 VR401-VR401 VR421-VR421 VR426-VR427 VR471-VR471 VS051-VS052 VS066-VS070 VS073-VS073 VS196-VS199 VS246-VS248 VS266-VS268

286T0045-101
Wire Bundle Assembly
Figure 101 (Sheet 78)

25-71-02

WIRE		FROM EQUIPMENT			TO EQUIPMENT			WIRE INFO		
NUMBER	GA	TYP	NUMBER	TERM TT	WD REF	NUMBER	TERM TT	EMC/SEP	NOTE	EFFECTIVITY
126	24	PV	D00823	33	31-51-12	D00813	15	N2		VF251-VF260 VK181-VK190 VL806-VL810 VL871-VL880 VL931-VL945 VN096-VN110 VN174-VN190 VN657-VN670 VN968-VN970 VR461-VR461 VS061-VS061 VS091-VS094 VS111-VS111 VS131-VS132 VS176-VS177 VS186-VS187 VS206-VS207 VS261-VS262
126	24	PV	D00823	33	31-51-12	D00813	15	N2		VA001-VB410 VB421-VB180 VF001-VF011 VF021-VF110 VF161-VF180 VK001-VK180 VL001-VL040 VL701-VL790 VL796-VL805 VL891-VL930 VM999-VN095 VN111-VN173 VN191-VN340 VN371-VN656 VN671-VN960 VN966-VN967 VN971-VN990 VR401-VR401 VR421-VR421 VR426-VR427 VR471-VR471 VS051-VS052 VS066-VS070 VS073-VS073 VS196-VS199 VS246-VS248 VS266-VS268
127	24	PV	D00823	24	31-51-12	D00813	20	N2		VF251-VF260 VK181-VK190 VL806-VL810 VL871-VL880 VL931-VL945 VN096-VN110 VN174-VN190 VN657-VN670 VN968-VN970 VR461-VR461 VS061-VS061 VS091-VS094 VS111-VS111 VS131-VS132 VS176-VS177 VS186-VS187 VS206-VS207 VS261-VS262
127Z	24	PV	D00823	24	31-51-12	D00813	DED	N2		VA001-VB410 VB421-VB180 VF001-VF011 VF021-VF110 VF161-VF180 VK001-VK180 VL001-VL040 VL701-VL790 VL796-VL805 VL891-VL930 VM999-VN095 VN111-VN173 VN191-VN340 VN371-VN656 VN671-VN960 VN966-VN967 VN971-VN990 VR401-VR401 VR421-VR421 VR426-VR427 VR471-VR471 VS051-VS052 VS066-VS070 VS073-VS073 VS196-VS199 VS246-VS248 VS266-VS268

 286T0045-101
 Wire Bundle Assembly
 Figure 101 (Sheet 79)

25-71-02



BOEING
COMPONENT
MAINTENANCE MANUAL

WIRE		FROM EQUIPMENT		TO EQUIPMENT		WIRE INFO							
NUMBER	GA	TYP	NUMBER	TERM	TT	WD REF	NUMBER	TERM	TT	EMC/SEP	FT	NOTE	EFFECTIVITY
128	22	PA	D00817	15		31-51-12	GDX0002	D..	2	N2	4		VF251-VF260 VK181-VK190 VL806-VL810 VL871-VL880 VL931-VL945 VN096-VN110 VN174-VN190 VM657-VN670 VN968-VN970 VR461-VR461 VS061-VS061 VS091-VS094 VS111-VS111 VS131-VS132 VS176-VS177 VS186-VS187 VS206-VS207 VS261-VS262
128	22	PA	D00817	15		31-51-12	GDX0002	D..	2	N2	2		VA001-VB410 VB421-VB180 VF001-VF011 VF021-VF110 VF161-VF180 VK001-VK180 VL001-VL040 VL701-VL790 VL796-VL805 VL891-VL930 VM999-VN095 VN111-VN173 VN191-VN340 VN371-VN656 VN671-VN960 VN966-VN967 VN971-VN990 VR401-VR401 VR421-VR421 VR426-VR427 VR471-VR471 VS051-VS052 VS066-VS070 VS073-VS073 VS196-VS199 VS246-VS248 VS266-VS268
129	24	PV	D00817	30		31-51-12	D00813	51		N2	5		VF251-VF260 VK181-VK190 VL806-VL810 VL871-VL880 VL931-VL945 VN096-VN110 VN174-VN190 VM657-VN670 VN968-VN970 VR461-VR461 VS111-VS111 VS131-VS132 VS177-VS177 VS186-VS187 VS206-VS207
129	24	PV	D00817	30		31-51-12	D00813	51		N2	3		VS061-VS061 VS091-VS094 VS176-VS176 VS261-VS262
129	24	PV	D00817	30		31-51-12	D00813	51		N2	3		VA001-VB410 VB421-VB180 VF001-VF011 VF021-VF110 VF161-VF180 VK001-VK180 VL001-VL040 VL701-VL790 VL796-VL805 VL891-VL930 VM999-VN095 VN111-VN173 VN191-VN340 VN371-VN656 VN671-VN960 VN966-VN967 VN971-VN990 VR401-VR401 VR421-VR421 VR426-VR427 VR471-VR471 VS051-VS052 VS066-VS070 VS073-VS073 VS196-VS199 VS246-VS248 VS266-VS268
129Z			D00817			31-51-12	D00813	DED		N2			

286T0045-101
Wire Bundle Assembly
Figure 101 (Sheet 80)

25-71-02

TESTING & TROUBLE SHOOTING
01 Page 114Q
Nov 01/02

WIRE		FROM EQUIPMENT			TO EQUIPMENT			WIRE INFO		
NUMBER	GA TYP	NUMBER	TERM FT	WD REF	NUMBER	TERM TT	EMC/SEP	FT	NOTE	EFFECTIVITY
130	24 PV	D00817	33	31-51-12	D00813	74	N2	5		VF251-VF260 VK181-VK190 VL806-VL810 VL871-VL880 VL931-VL945 VN096-VN110 VN174-VN190 VN657-VN670 VN968-VN970 VR461-VR461 VS111-VS111 VS131-VS132 VS177-VS177 VS186-VS187 VS206-VS207
130	24 PV	D00817	33	31-51-12	D00813	74	N2	3		VS061-VS061 VS091-VS094 VS176-VS176 VS261-VS262
130	24 PV	D00817	33	31-51-12	D00813	74	N2	3		VA001-VB410 VB421-VE180 VF001-VF011 VF021-VF110 VF161-VF180 VK001-VK180 VL001-VL040 VL701-VL790 VL796-VL805 VL891-VL930 VM999-VN095 VN111-VN173 VN191-VN340 VN371-VN656 VM671-VN960 VN966-VN967 VN971-VN990 VR401-VR401 VR421-VR421 VR426-VR427 VR471-VR471 VS051-VS052 VS066-VS070 VS073-VS073 VS196-VS199 VS246-VS248 VS266-VS268
131	24 PV	D00813	11	31-51-12	D01381	30	N2	5		VF251-VF260 VK181-VK190 VL806-VL810 VL871-VL880 VL931-VL945 VN096-VN110 VN174-VN190 VN657-VN670 VN968-VN970 VR461-VR461 VS111-VS111 VS131-VS132 VS177-VS177 VS186-VS187 VS206-VS207
131	24 PV	D00813	11	31-51-12	D01381	30	N2	3		VS061-VS061 VS091-VS094 VS176-VS176 VS261-VS262
131	24 PV	D00813	11	31-51-12	D01381	30	N2	3		VA001-VB410 VB421-VE180 VF001-VF011 VF021-VF110 VF161-VF180 VK001-VK180 VL001-VL040 VL701-VL790 VL796-VL805 VL891-VL930 VM999-VN095 VN111-VN173 VN191-VN340 VN371-VN656 VM671-VN960 VN966-VN967 VN971-VN990 VR401-VR401 VR421-VR421 VR426-VR427 VR471-VR471 VS051-VS052 VS066-VS070 VS073-VS073 VS196-VS199 VS246-VS248 VS266-VS268
131Z	24 PV	D01381	11	31-51-12	D00813	DED	N2			

286T0045-101
Wire Bundle Assembly
Figure 101 (Sheet 81)

25-71-02



BOEING
COMPONENT
MAINTENANCE MANUAL

WIRE				FROM EQUIPMENT				TO EQUIPMENT				WIRE INFO			
NUMBER	GA	TYP	WD REF	NUMBER	TERM TT	NUMBER	TERM TT	NUMBER	TERM TT	EMC / SEP	FT	NOTE	EFFECTIVITY		
132	24	PV	31-51-12	D00813	16	D01381	33	D01381	33	N2	5		VF251-VF260 VK181-VK190 VL806-VL810 VL871-VL880 VL931-VL945 VN096-VN110 VN174-VN190 VN657-VN670 VN968-VN970 VR461-VR461 VS111-VS111 VS131-VS132 VS177-VS177 VS186-VS187 VS206-VS207		
132	24	PV	31-51-12	D00813	16	D01381	33	D01381	33	N2	3		VS061-VS061 VS091-VS094 VS176-VS176 VS261-VS262		
132Z	24	PV	31-51-12	D01381	16	D01381	33	D01381	33	N2	3		VA001-VB410 VB421-VE180 VF001-VF011 VF021-VF110 VF161-VF180 VK001-VK180 VL001-VL040 VL701-VL790 VL796-VL805 VL891-VL930 VM999-VN095 VN111-VN173 VN191-VN340 VN371-VN656 VN671-VN960 VN966-VN967 VN971-VN990 VR401-VR401 VR421-VR421 VR426-VR427 VR471-VR471 VS051-VS052 VS066-VS070 VS073-VS073 VS196-VS199 VS246-VS248 VS266-VS268		
133	24	PV	31-51-12	D01381	24	D00813	21	D00813	21	N2	5		VF251-VF260 VK181-VK190 VL806-VL810 VL871-VL880 VL931-VL945 VN096-VN110 VN174-VN190 VN657-VN670 VN968-VN970 VR461-VR461 VS111-VS111 VS131-VS132 VS177-VS177 VS186-VS187 VS206-VS207		
133	24	PV	31-51-12	D01381	24	D01381	21	D00813	21	N2	3		VS061-VS061 VS091-VS094 VS176-VS176 VS261-VS262		
133Z	24	PV	31-51-12	D01381	24	D01381	21	D00813	21	N2	3		VA001-VB410 VB421-VE180 VF001-VF011 VF021-VF110 VF161-VF180 VK001-VK180 VL001-VL040 VL701-VL790 VL796-VL805 VL891-VL930 VM999-VN095 VN111-VN173 VN191-VN340 VN371-VN656 VN671-VN960 VN966-VN967 VN971-VN990 VR401-VR401 VR421-VR421 VR426-VR427 VR471-VR471 VS051-VS052 VS066-VS070 VS073-VS073 VS196-VS199 VS246-VS248 VS266-VS268		

286T0045-101
Wire Bundle Assembly
Figure 101 (Sheet 82)

25-71-02

WIRES		FROM EQUIPMENT			TO EQUIPMENT			WIRES INFO			
NUMBER	GA	TYP	NUMBER	TERM TT	WD REF	NUMBER	TERM TT	EMC/SEP	FT	NOTE	EFFECTIVITY
134	24	PK	D01489	50	31-51-12	SM00024	W	N2	3		VF251-VF260 VK181-VK190 VL806-VL810 VL871-VL880 VL931-VL945 VN096-VN110 VN174-VN190 VN657-VN670 VN968-VN970 VR461-VR461 VS061-VS061 VS091-VS094 VS111-VS111 VS131-VS132 VS176-VS177 VS186-VS187 VS206-VS207 VS261-VS262
134	24	PK	D01489	50	31-51-12	SM00024	W	N2	1		VA001-VB410 VB421-VE180 VF001-VF011 VF021-VF110 VF161-VF180 VK001-VK180 VL001-VL040 VL701-VL790 VL796-VL805 VL891-VL930 VM999-VN095 VN111-VN173 VN191-VN340 VN371-VN656 VN671-VN960 VN966-VN967 VN971-VN990 VR401-VR401 VR421-VR421 VR426-VR427 VR471-VR471 VS051-VS052 VS066-VS070 VS073-VS073 VS196-VS199 VS246-VS248 VS266-VS268
135	24	PV	D01487	30	31-51-12	D00813	47	N2	5		VF251-VF260 VK181-VK190 VL806-VL810 VL871-VL880 VL931-VL945 VN096-VN110 VN174-VN190 VN657-VN670 VN968-VN970 VR461-VR461 VS111-VS111 VS131-VS132 VS177-VS177 VS186-VS187 VS206-VS207
135	24	PV	D01487	30	31-51-12	D00813	47	N2	3		VS061-VS061 VS091-VS094 VS176-VS176 VS261-VS262
135	24	PV	D01487	30	31-51-12	D00813	47	N2	3		VA001-VB410 VB421-VE180 VF001-VF011 VF021-VF110 VF161-VF180 VK001-VK180 VL001-VL040 VL701-VL790 VL796-VL805 VL891-VL930 VM999-VN095 VN111-VN173 VN191-VN340 VN371-VN656 VN671-VN960 VN966-VN967 VN971-VN990 VR401-VR401 VR421-VR421 VR426-VR427 VR471-VR471 VS051-VS052 VS066-VS070 VS073-VS073 VS196-VS199 VS246-VS248 VS266-VS268
135Z			D01487		31-51-12	D00813	DED				

 286T0045-101
 Wire Bundle Assembly
 Figure 101 (Sheet 83)

25-71-02



BOEING
COMPONENT
MAINTENANCE MANUAL

WIRE			FROM EQUIPMENT			TO EQUIPMENT			WIRE INFO		
NUMBER	GA	TYP	NUMBER	TERM TT	WD REF	NUMBER	TERM TT	EMC / SEP	FT	NOTE	EFFECTIVITY
136	24	PV	D01487	33	31-51-12	D00813	70	N2	5		VF251-VF260 VK181-VK190 VL806-VL810 VL871-VL880 VL931-VL945 VN096-VN110 VN174-VN190 VN657-VN670 VN968-VN970 VR461-VR461 VS111-VS111 VS131-VS132 VS177-VS177 VS186-VS187 VS206-VS207
136	24	PV	D01487	33	31-51-12	D00813	70	N2	3		VS061-VS061 VS091-VS094 VS176-VS176 VS261-VS262
136	24	PV	D01487	33	31-51-12	D00813	70	N2	3		VA001-VB410 VB421-VE180 VF001-VF011 VF021-VF110 VF161-VF180 VK001-VK180 VL001-VL040 VL701-VL790 VL796-VL805 VL891-VL930 VM999-VN095 VN111-VN173 VN191-VN340 VN371-VN656 VN671-VN960 VN966-VN967 VN971-VN990 VR401-VR401 VR421-VR421 VR426-VR427 VR471-VR471 VS051-VS052 VS066-VS070 VS073-VS073 VS196-VS199 VS246-VS248 VS266-VS268
137	22	PA	D01487	15	31-51-12	GDX0003	D.. 2	N2	4		VF251-VF260 VK181-VK190 VL806-VL810 VL871-VL880 VL931-VL945 VN096-VN110 VN174-VN190 VN657-VN670 VN968-VN970 VR461-VR461 VS061-VS061 VS091-VS094 VS111-VS111 VS131-VS132 VS176-VS177 VS186-VS187 VS206-VS207 VS261-VS262
137	22	PA	D01487	15	31-51-12	GDX0003	D.. 2	N2	2		VA001-VB410 VB421-VE180 VF001-VF011 VF021-VF110 VF161-VF180 VK001-VK180 VL001-VL040 VL701-VL790 VL796-VL805 VL891-VL930 VM999-VN095 VN111-VN173 VN191-VN340 VN371-VN656 VN671-VN960 VN966-VN967 VN971-VN990 VR401-VR401 VR421-VR421 VR426-VR427 VR471-VR471 VS051-VS052 VS066-VS070 VS073-VS073 VS196-VS199 VS246-VS248 VS266-VS268

286T0045-101
Wire Bundle Assembly
Figure 101 (Sheet 84)

25-71-02

TESTING & TROUBLE SHOOTING
01 Page 114U
Nov 01/02



COMPONENT
MAINTENANCE MANUAL

WIRE		FROM EQUIPMENT			TO EQUIPMENT			WIRE INFO			
NUMBER	GA	TYP	NUMBER	TERM TT	WD REF	NUMBER	TERM TT	EMC/SEP	FT	NOTE	EFFECTIVITY
138	24	PV	D01489	30	31-51-12	D00813	45	N2	5		VF251-VF260 VK181-VK190 VL806-VL810 VL871-VL880 VL931-VL945 VN096-VN110 VN174-VN190 VN657-VN670 VN968-VN970 VR461-VR461 VS061-VS061 VS091-VS094 VS111-VS111 VS131-VS132 VS176-VS177 VS186-VS187 VS206-VS207 VS261-VS262
138	24	PV	D01489	30	31-51-12	D00813	45	N2	3		VA001-VB410 VB421-VE180 VF001-VF011 VF021-VF110 VF161-VF180 VK001-VK180 VL001-VL040 VL701-VL790 VL796-VL805 VL891-VL930 VM999-VN095 VN111-VN173 VN191-VN340 VN371-VN656 VN671-VN960 VN966-VN967 VN971-VN990 VR401-VR401 VR421-VR421 VR426-VR427 VR471-VR471 VS051-VS052 VS066-VS070 VS073-VS073 VS196-VS199 VS246-VS248 VS266-VS268
139	24	PV	D01489	33	31-51-12	D00813	50	N2	5		VF251-VF260 VK181-VK190 VL806-VL810 VL871-VL880 VL931-VL945 VN096-VN110 VN174-VN190 VN657-VN670 VN968-VN970 VR461-VR461 VS061-VS061 VS091-VS094 VS111-VS111 VS131-VS132 VS176-VS177 VS186-VS187 VS206-VS207 VS261-VS262
139	24	PV	D01489	33	31-51-12	D00813	50	N2	3		VA001-VB410 VB421-VE180 VF001-VF011 VF021-VF110 VF161-VF180 VK001-VK180 VL001-VL040 VL701-VL790 VL796-VL805 VL891-VL930 VM999-VN095 VN111-VN173 VN191-VN340 VN371-VN656 VN671-VN960 VN966-VN967 VN971-VN990 VR401-VR401 VR421-VR421 VR426-VR427 VR471-VR471 VS051-VS052 VS066-VS070 VS073-VS073 VS196-VS199 VS246-VS248 VS266-VS268

286T0045-101
Wire Bundle Assembly
Figure 101 (Sheet 85)

25-71-02



COMPONENT
MAINTENANCE MANUAL

WIRE		FROM EQUIPMENT			TO EQUIPMENT			WIRE INFO			
NUMBER	GA	TYP	NUMBER	TERM TT	WD REF	NUMBER	TERM TT	EMC/SEP	FT	NOTE	EFFECTIVITY
140	24	PV	D01489	24	31-51-12	D00813	36	N2	5		VF251-VF260 VK181-VK190 VL806-VL810 VL871-VL880 VL931-VL945 VN096-VN110 VN174-VN190 VN657-VN670 VN968-VN970 VR461-VR461 VS061-VS061 VS091-VS094 VS111-VS111 VS131-VS132 VS176-VS177 VS186-VS187 VS206-VS207 VS261-VS262
140	24	PV	D01489	24	31-51-12	D00813	36	N2	3		VA001-VB410 VB421-VB180 VF001-VF011 VF021-VF110 VF161-VF180 VK001-VK180 VL001-VL040 VL701-VL790 VL796-VL805 VL891-VL930 VM999-VN095 VN111-VN173 VN191-VN340 VN371-VN656 VN671-VN960 VN966-VN967 VN971-VN990 VR401-VR401 VR421-VR421 VR426-VR427 VR471-VR471 VS051-VS052 VS066-VS070 VS073-VS073 VS196-VS199 VS246-VS248 VS266-VS268
141	22	PA	D01489	15	31-51-12	GDX0003	D.. 2	N2	4		VF251-VF260 VK181-VK190 VL806-VL810 VL871-VL880 VL931-VL945 VN096-VN110 VN174-VN190 VN657-VN670 VN968-VN970 VR461-VR461 VS061-VS061 VS091-VS094 VS111-VS111 VS131-VS132 VS176-VS177 VS186-VS187 VS206-VS207 VS261-VS262
141	22	PA	D01489	15	31-51-12	GDX0003	D.. 2	N2	2		VA001-VA001 VA701-VA712 VB001-VB002 VB051-VB055 VB201-VB202 VB281-VB284 VB401-VB401 VE041-VE043 VE061-VE068 VE116-VE116
142	24	PV	D00813	33	31-51-12	N00113	2 \$	N2	6		VA002-VA020 VA501-VA519 VA801-VA810 VB251-VB253 VB301-VB301 VE001-VE002 VE031-VE023 VE101-VE103

286T0045-101
Wire Bundle Assembly
Figure 101 (Sheet 86)

25-71-02

WIRE		FROM EQUIPMENT			TO EQUIPMENT			WIRE INFO		
NUMBER	CA TYP	NUMBER	TERM TT	WD REF	NUMBER	TERM TT	EMC/SEP	FT	NOTE	EFFECTIVITY
142	24 PV	D00813	33	31-51-12	D11553	26	N2	6	MPP-T2	VA021-VA300 VA316-VA500 VA520-VA700 VA713-VA800 VA811-VA999 VB003-VB050 VB056-VB100 VB124-VB200 VB203-VB250 VB254-VB280 VB285-VB300 VB303-VB320 VB325-VB370 VB374-VB400 VB402-VB410 VB421-VD999 VE003-VE020 VE024-VE040 VE044-VE060 VE069-VE100 VE104-VE115 VE118-VE180 VF001-VF011 VF021-VF110 VF161-VF180
142	24 PK	D00813	33	31-51-12	D11553	26	N2	6		VA301-VA315 VB371-VB373 VK001-VK180 VL001-VL040 VL701-VL790 VL796-VL805 VL891-VL930 VM999-VM095 VN111-VN173 VN191-VN340 VN371-VN656 VN671-VN960 VN966-VN967 VN971-VN990 VR401-VR401 VR421-VR421 VR426-VR427 VR471-VR471 VS051-VS052 VS066-VS070 VS073-VS073 VS196-VS199 VS246-VS248 VS266-VS268
142	24 PK	D00813	33	31-51-12	D11553	26	N2	6		VB101-VB123
142	24 PK	D00813	33	31-51-12	D11553	26	N2	6		VB302-VB302
142	24 PV	D00813	33	31-51-12	D11553	26	N2	6		VB321-VB322
142	24 PV	D00813	33	31-51-12	N00113	2	N2	6		VB323-VB324
142	24 PV	D00813	33	31-51-12	D11553	26	N2	6	MPP-T2	VE117-VE117
142	24 PK	D00813	33	31-51-12	D11553	26	N2	6	MPI-F2	VF251-VF260
142	24 PK	D00813	33	31-51-12	D11553	26	N2	3		VK181-VK190 VL806-VL810 VL871-VL880 VL931-VL945 VN096-VN110 VN174-VN190 VN657-VN670 VN968-VN970 VR461-VR461 VS111-VS111 VS131-VS132 VS177-VS177 VS186-VS187 VS206-VS207
142	24 PK	D00813	33	31-51-12	D11553	26	N2	3		VS061-VS061 VS091-VS094 VS176-VS176 VS261-VS262
142	24 PK	D00813	33	31-51-12	D11553	26	N2	3		VA001-VA001 VA701-VA712 VB001-VB002 VB051-VB055 VB201-VB202 VB281-VB284 VB401-VB401 VE041-VE043 VE061-VE068 VE116-VE116
142Z		N00113		31-51-12	D00813	DED	N2			VA002-VA020 VA501-VA519 VA801-VA810 VB301-VB302 VE021-VE023 VE101-VE103

286T0045-101
Wire Bundle Assembly
Figure 101 (Sheet 87)

25-71-02



BOEING
COMPONENT
MAINTENANCE MANUAL

WIRE		FROM EQUIPMENT			TO EQUIPMENT			WIRE INFO			
NUMBER	GA TYP	NUMBER	TERM FT	WD REF	NUMBER	TERM FT	EMC / SEP	FT	NOTE	EFFECTIVITY	
142Z		D11553		31-51-12	D00813	DED	N2			VB251-VB253 VE001-VE002	
142Z		D11553	DED	31-51-12	D00813	DED	N2			VB321-VB322	
142Z		N00113		31-51-12	D00813	DED	N2			VB323-VB324	
142Z		D11553	DED	31-51-12	D00813	DED	N2			VA001-VA001 VA701-VA712 VB001-VB002 VB051-VB055 VB201-VB202 VB281-VE284 VB401-VB401 VE041-VE043 VE061-VE068 VE116-VE116	
143	24 PV	N00113	1 \$	31-51-12	D00813	34	N2	6		VA002-VA020 VA501-VA519 VA801-VA810 VB251-VB253 VB301-VB301 VE001-VE002 VE021-VE023 VE101-VE103	
143	24 PV	D11553	27	31-51-12	D00813	34	N2	6	MPP-F2	VA021-VA300 VA316-VA500 VA520-VA700 VA713-VA800 VA811-VA999 VB003-VB050 VB056-VB100 VB124-VB200 VB203-VB250 VB254-VB280 VB285-VB300 VB303-VB320 VB325-VB370 VB374-VB400 VB402-VB410 VB421-VB999 VE003-VE020 VE024-VE040 VE044-VE060 VE069-VE100 VE104-VE115 VE118-VE180 VF001-VF011 VF021-VF110 VF161-VF180	
143	24 PK	D11553	27	31-51-12	D00813	34	N2	6		VA301-VA315 VB101-VB123 VB371-VB373 VK001-VK180 VL001-VL040 VL701-VL790 VL796-VL805 VL891-VL930 VM999-VN095 VM111-VN173 VN191-VN340 VN371-VN656 VN671-VN960 VN966-VN967 VN971-VN990 VR401-VR401 VR421-VR421 VR426-VR427 VR471-VR471 VS051-VS052 VS066-VS070 VS073-VS073 VS196-VS199 VS246-VS248 VS266-VS268	
143	24 PK	D11553	27	31-51-12	D00813	34	N2	6		VB302-VB302	
143	24 PV	D11553	27	31-51-12	D00813	34	N2	6		VB321-VB322	
143	24 PV	N00113	1 \$	31-51-12	D00813	34	N2	6		VB323-VB324	
143	24 PV	D11553	27	31-51-12	D00813	34	N2	6	MPP-F2	VE117-VE117	
143	24 PK	D11553	27	31-51-12	D00813	34	N2	6	MPP-F2	VF251-VF260	

286T0045-101
Wire Bundle Assembly
Figure 101 (Sheet 88)

25-71-02



COMPONENT
MAINTENANCE MANUAL

WIRE		FROM EQUIPMENT			TO EQUIPMENT			WIRE INFO		
NUMBER	GA TYP	NUMBER	TERM TT	WD REF	NUMBER	TERM TT	EMC/SEP	FT	NOTE	EFFECTIVITY
143	24 PK	D11553	27	31-51-12	D00813	34	N2	3		VK181-VK190 VL806-VL810 VL871-VL880 VL931-VL945 VN096-VN110 VN174-VN190 VN657-VN670 VN968-VN970 VR461-VR461 VS111-VS111 VS131-VS132 VS177-VS177 VS186-VS187 VS206-VS207 VS061-VS061 VS091-VS094 VS176-VS176 VS261-VS262
143	24 PK	D11553	27	31-51-12	D00813	34	N2	3		VA001-VA001 VA701-VA712 VB001-VB002 VB051-VB055 VB201-VB202 VB281-VB284 VB401-VB401 VE041-VE043 VE061-VE068 VE116-VE116 VA002-VA020 VA501-VA519 VA801-VA810 VB301-VB302 VE021-VE023 VE101-VE103 VB251-VB253 VE001-VE002 VB321-VB322 VB323-VB324
143Z		N00113	DED	31-51-12	D00813	DED	N2			VA001-VB410 VB421-VE180 VF001-VF011 VF021-VF110 VF161-VF180 VK001-VK180 VL001-VL040 VL701-VL790 VL796-VL805 VL891-VL930 VM999-VN095 VN111-VN173 VN191-VN340 VN371-VN656 VN671-VN960 VN966-VN967 VN971-VN990 VR401-VR401 VR421-VR421 VR426-VR427 VR471-VR471 VS051-VS052 VS066-VS070 VS073-VS073 VS196-VS199 VS246-VS248 VS266-VS268
144	24 PV	D00813	12	31-51-12	D00815	30	N2	5		VF251-VF260 VK181-VK190 VL806-VL810 VL871-VL880 VL931-VL945 VN096-VN110 VN174-VN190 VN657-VN670 VN968-VN970 VR461-VR461 VS111-VS111 VS131-VS132 VS177-VS177 VS186-VS187 VS206-VS207
144	24 PV	D00813	12	31-51-12	D00815	30	N2	3		VS061-VS061 VS091-VS094 VS176-VS176 VS261-VS262
144Z		D00813	DED	31-51-12	D00815	DED	N2	3		

286T0045-101
Wire Bundle Assembly
Figure 101 (Sheet 89)

25-71-02



BOEING
COMPONENT
MAINTENANCE MANUAL

WIRE		FROM EQUIPMENT			TO EQUIPMENT			WIRE INFO					
NUMBER	GA	TYP	NUMBER	TERM	TT	WD REF	NUMBER	TERM	TT	EMC/SEP	FT	NOTE	EFFECTIVITY
145	20	PA	SM00030		W	31-51-12	GDX0005	D..	2	N2			VA001-VB410 VB421-VE180 VF001-VF011 VF021-VF110 VF161-VF180 VK001-VK180 VL001-VL040 VL701-VL790 VL796-VL805 VL891-VL930 VM999-VN095 VN111-VN173 VN191-VN340 VN371-VN656 VN671-VN960 VN966-VN967 VN971-VN990 VR401-VR401 VR421-VR421 VR426-VR427 VR471-VR471 VS051-VS052 VS066-VS070 VS073-VS073 VS196-VS199 VS246-VS248 VS266-VS268
146	24	PV	D00813	17		31-51-12	D00815	33		N2	5		VF251-VF260 VK181-VK190 VL806-VL810 VL871-VL880 VL931-VL945 VN096-VN110 VN174-VN190 VN657-VN670 VN968-VN970 VR461-VR461 VS111-VS111 VS131-VS132 VS177-VS177 VS186-VS187 VS206-VS207
146	24	PV	D00813	17		31-51-12	D00815	33		N2	3		VS061-VS061 VS091-VS094 VS176-VS176 VS261-VS262
146	24	PV	D00813	17		31-51-12	D00815	33		N2	3		VA001-VB410 VB421-VE180 VF001-VF011 VF021-VF110 VF161-VF180 VK001-VK180 VL001-VL040 VL701-VL790 VL796-VL805 VL891-VL930 VM999-VN095 VN111-VN173 VN191-VN340 VN371-VN656 VN671-VN960 VN966-VN967 VN971-VN990 VR401-VR401 VR421-VR421 VR426-VR427 VR471-VR471 VS051-VS052 VS066-VS070 VS073-VS073 VS196-VS199 VS246-VS248 VS266-VS268
146Z	24	PV	D00813	DED		31-51-12	D00815	33		N2	3		
147	24	PV	D00813	22		31-51-12	D00815	24		N2	5		VF251-VF260 VK181-VK190 VL806-VL810 VL871-VL880 VL931-VL945 VN096-VN110 VN174-VN190 VN657-VN670 VN968-VN970 VR461-VR461 VS111-VS111 VS131-VS132 VS177-VS177 VS186-VS187 VS206-VS207
147	24	PV	D00813	22		31-51-12	D00815	24		N2	3		VS061-VS061 VS091-VS094 VS176-VS176 VS261-VS262
147	24	PV	D00813	22		31-51-12	D00815	24		N2	3		

286T0045-101
Wire Bundle Assembly
Figure 101 (Sheet 90)

25-71-02

WIRE		FROM EQUIPMENT			TO EQUIPMENT			WIRE INFO		
NUMBER	GA TYP	NUMBER	TERM TT	WD REF	NUMBER	TERM TT	EMC/SEP	FT	NOTE	EFFECTIVITY
147Z		D00813	DED	31-51-12	D00815		N2			VA001-VB410 VB421-VE180 VF001-VF011 VF021-VF110 VF161-VF180 VK001-VK180 VL001-VL040 VL701-VL790 VL796-VL805 VL891-VL930 VM999-VN095 VN111-VN173 VN191-VN340 VN371-VN656 VN671-VN960 VN966-VN967 VN971-VN990 VR401-VR401 VR421-VR421 VR426-VR427 VR471-VR471 VS051-VS052 VS066-VS070 VS073-VS073 VS196-VS199 VS246-VS248 VS266-VS268
148	24 PV	D00813	10	31-51-12	D00823	30	N2	5		VF251-VF260 VK181-VK190 VL806-VL810 VL871-VL880 VL931-VL945 VN096-VN110 VN174-VN190 VN657-VN670 VN968-VN970 VR461-VR461 VS061-VS061 VS091-VS094 VS111-VS111 VS131-VS132 VS176-VS177 VS186-VS187 VS206-VS207 VS261-VS262
148Z	24 PV	D00813	10	31-51-12	D00823	30	N2	3		VA001-VB410 VB421-VE180 VF001-VF011 VF021-VF110 VF161-VF180 VK001-VK180 VL001-VL040 VL701-VL790 VL796-VL805 VL891-VL930 VM999-VN095 VN111-VN173 VN191-VN340 VN371-VN656 VN671-VN960 VN966-VN967 VN971-VN990 VR401-VR401 VR421-VR421 VR426-VR427 VR471-VR471 VS051-VS052 VS066-VS070 VS073-VS073 VS196-VS199 VS246-VS248 VS266-VS268
149	20 PA	SMG0031	W	31-51-12	GDX0005	D.. 2	N2			
150	22 PA	D04301J	6	27-32-11	D00823	34	N2	4		VF251-VF260 VK181-VK190 VL806-VL810 VL871-VL880 VL931-VL945 VN096-VN110 VN174-VN190 VN657-VN670 VN968-VN970 VR461-VR461 VS061-VS061 VS091-VS094 VS111-VS111 VS131-VS132 VS176-VS177 VS186-VS187 VS206-VS207 VS261-VS262

286T0045-101
Wire Bundle Assembly
Figure 101 (Sheet 91)

25-71-02



BOEING
COMPONENT
MAINTENANCE MANUAL

WIRE			FROM EQUIPMENT				TO EQUIPMENT				WIRE INFO			
NUMBER	GA	TYP	NUMBER	TERM TT	WD REF	NUMBER	TERM TT	WD REF	NUMBER	TERM TT	EMC / SEP	FT	NOTE	EFFECTIVITY
150	22	PA	D04301J	6	27-32-11	D00823	34				N2	2		VA001-VB410 VB421-VE180 VF001-VF011 VF021-VF110 VF161-VF180 VK001-VK180 VL001-VL040 VL701-VL790 VL796-VL805 VL891-VL930 VM999-VN095 VN111-VN173 VN191-VN340 VN371-VN656 VN671-VN960 VN966-VN967 VN971-VN990 VR401-VR401 VR421-VR421 VR426-VR427 VR471-VR471 VS051-VS052 VS066-VS070 VS073-VS073 VS196-VS199 VS246-VS248 VS266-VS268
151	24	PK	D04509J	1	27-32-11	D00823	39				N2	3		VF251-VF260 VK181-VK190 VL806-VL810 VL871-VL880 VL931-VL945 VN096-VN110 VN174-VN190 VN657-VN670 VN968-VN970 VR461-VR461 VS061-VS061 VS091-VS094 VS111-VS111 VS131-VS132 VS176-VS177 VS186-VS187 VS206-VS207 VS261-VS262
151	24	PK	D04509J	1	27-32-11	D00823	39				N2	2		VA001-VA001 VA701-VA712 VB001-VB002 VB051-VB055 VB201-VB202 VB281-VB284 VB321-VB322 VB401-VB401 VE041-VE043 VE061-VE068 VE116-VE116
152	24	PK	D04347J	26	27-32-11	D00823	8				N2	4		VA002-VA020 VA501-VA519 VA801-VA810 VB301-VB301 VE021-VE023 VE101-VE103

286T0045-101
Wire Bundle Assembly
Figure 101 (Sheet 92)

25-71-02

TESTING & TROUBLE SHOOTING
01 Page 116A
Nov 01/02



COMPONENT
MAINTENANCE MANUAL

WIRE			FROM EQUIPMENT			TO EQUIPMENT			WIRE INFO		
NUMBER	GA	TYP	NUMBER	TERM FT	WD REF	NUMBER	TERM FT	EMC / SEP	FT	NOTE	EFFECTIVITY
152	24	PK	D04347J	26	27-32-11	D00823	40	N2	4	MZK-F2	VA021-VA300 VA316-VA500 VA520-VA700 VA713-VA800 VA811-VA999 VB003-VB050 VB056-VB100 VB124-VB200 VB203-VB280 VB285-VB300 VB302-VB320 VB323-VB370 VB374-VB400 VB402-VB410 VB421-VE020 VE024-VE040 VE044-VE060 VE069-VE100 VE104-VE115 VE117-VE180 VF001-VF011 VF021-VF110 VF161-VF180 VK001-VK180 VL001-VL040 VL701-VL790 VL796-VL805 VL891-VL930 VM999-VN095 VNI11-VNI173 VN191-VN340 VN371-VN656 VN671-VN960 VN966-VN967 VN971-VN990 VR401-VR401 VR421-VR421 VR426-VR427 VR471-VR471 VS051-VS052 VS066-VS070 VS073-VS073 VS196-VS199 VS246-VS248 VS266-VS268
152	24	PK	D04347J	26	27-32-11	D00823	40	N2	4		VA301-VA315 VB101-VB123 VB371-VB373
152	24	PK	D04347J	26	27-32-11	D00823	40	N2	4	MZK-T2	VF251-VF260 VK181-VK190 VL806-VL810 VL871-VL880 VL931-VL945 VN096-VN110 VN174-VN190 VN657-VN670 VN968-VN970 VR461-VR461 VS061-VS061 VS091-VS094 VS111-VS111 VS131-VS132 VS176-VS177 VS186-VS187 VS206-VS207 VS261-VS262
152	24	PK	D04347J	26	27-32-11	D00823	40	N2	2		VA001-VA001 VA701-VA712 VB001-VB002 VB051-VB055 VB201-VB202 VB281-VB284 VB321-VB322 VB401-VB401 VE041-VE043 VE061-VE068 VE116-VE116
153	24	PK	D00823	2	27-32-11	D04509J	6	N2	3		VA002-VA020 VA301-VA315 VA501-VA519 VA801-VA810 VE101-VE123 VE301-VE301 VB371-VB373 VE021-VE023 VE101-VE103

286T0045-101
Wire Bundle Assembly
Figure 101 (Sheet 93)

25-71-02



BOEING
COMPONENT
MAINTENANCE MANUAL

WIRE		FROM EQUIPMENT			TO EQUIPMENT			WIRE INFO			
NUMBER	GA	TYP	NUMBER	TERM TT	WD REF	NUMBER	TERM TT	EMC / SEP	FT	NOTE	EFFECTIVITY
153	24	PK	D00823	31	27-32-11	D04509J	6	N2	3	MZK-F2	VA021-VA300 VA316-VA500 VA520-VA700 VA713-VA800 VA811-VA999 VE003-VB050 VB056-VB100 VB124-VB200 VB203-VB280 VB385-VB300 VB302-VB320 VB323-VB370 VB374-VB400 VB402-VB410 VB421-VE020 VE024-VE040 VE044-VE060 VE069-VE100 VE104-VE115 VE117-VE180 VF001-VF011 VF021-VF110 VF161-VF180 VK001-VK180 VL001-VL040 VL701-VL790 VL796-VL805 VL891-VL930 VM999-VN095 VN111-VN173 VN191-VN340 VN371-VN656 VN671-VN960 VN966-VN967 VN971-VN990 VR401-VR401 VR421-VR421 VR426-VR427 VR471-VR471 VS051-VS052 VS066-VS070 VS073-VS073 VS196-VS199 VS246-VS248 VS266-VS268
153	24	PK	D00823	31	27-32-11	D04509J	6	N2	3		VF251-VF260 VK181-VK190 VL806-VL810 VL871-VL880 VL931-VL945 VN096-VN110 VN174-VN190 VN657-VN670 VN968-VN970 VR461-VR461 VS061-VS061 VS091-VS094 VS111-VS111 VS131-VS132 VS176-VS177 VS186-VS187 VS206-VS207 VS261-VS262
153	24	PK	D00823	31	27-32-11	D04509J	6	N2	2		VA001-VB410 VB421-VE180 VF001-VF011 VF021-VF110 VF161-VF170 VK001-VK180 VL001-VL040 VL701-VL790 VL796-VL805 VL911-VL930 VM999-VN095 VN111-VN173 VN191-VN340 VN371-VN656 VN671-VN960 VN966-VN967 VN971-VN990 VR401-VR401 VR421-VR421 VR426-VR427 VR471-VR471 VS051-VS052 VS066-VS070 VS073-VS073 VS196-VS199 VS246-VS248 VS266-VS268
154	20	PA	D04509J	7	27-32-11	GDX0001 D..	2	N2	4		VF171-VF180
154	20	PA	D04509J	7	27-32-11	GDX0001 D..	2	N2	4		VF251-VF260

286T0045-101
Wire Bundle Assembly
Figure 101 (Sheet 94)

25-71-02

TESTING & TROUBLE SHOOTING
01

Page 116C
Nov 01/02

WIRE			FROM EQUIPMENT				TO EQUIPMENT				WIRE INFO			
NUMBER	GA	TYP	NUMBER	TERM TT	WD REF	NUMBER	TERM TT	WD REF	NUMBER	TERM TT	EMC / SEP	FT	NOTE	EFFECTIVITY
154	20	PA	D04509J	7	27-32-11	GDX0001	D..	2	N2	2				VK181-VK190 VL806-VL810 VL871-VL880 VL931-VL945 VN096-VN110 VN174-VN190 VM657-VN670 VN968-VN970 VR461-VR461 VS061-VS061 VS091-VS094 VS111-VS111 VS131-VS132 VS176-VS177 VS186-VS187 VS206-VS207 VS261-VS262
154	20	PA	D04509J	7	27-32-11	GDX0001	D..	2	N2	2				VL891-VL910
154	20	PA	D04509J	7	27-32-11	GDX0001	D..	2	N2	4				VA001-VB410 VB421-VB180 VF001-VF011 VF021-VF110 VF161-VF180 VK001-VK180 VL001-VL040 VL701-VL790 VL796-VL805 VL891-VL930 VM999-VN095 VN111-VN173 VN191-VN340 VN371-VN656 VN671-VN960 VN966-VN967 VN971-VN990 VR401-VR401 VR421-VR421 VR426-VR427 VR471-VR471 VS051-VS052 VS066-VS070 VS073-VS073 VS196-VS199 VS246-VS248 VS266-VS268
155	24	PK	SM00037		27-32-11	D04511J	3		N2	3				VF251-VF260 VK181-VK190 VL806-VL810 VL871-VL880 VL931-VL945 VN096-VN110 VN174-VN190 VM657-VN670 VN968-VN970 VR461-VR461 VS061-VS061 VS091-VS094 VS111-VS111 VS131-VS132 VS176-VS177 VS186-VS187 VS206-VS207 VS261-VS262
155	24	PK	SM00037		27-32-11	D04511J	3		N2	1				VA001-VA001 VA701-VA712 VB001-VB002 VB051-VB055 VB201-VB202 VB281-VB284 VB321-VB322 VB401-VB401 VE041-VE043 VE061-VE068 VE116-VE116
156	24	PK	D00823	7	27-32-11	D04511J	2		N2	4				VA002-VA020 VA301-VA315 VA501-VA519 VA801-VA810 VE101-VE123 VE301-VE301 VE371-VE373 VE021-VE023 VE101-VE103

286T0045-101
Wire Bundle Assembly
Figure 101 (Sheet 95)

25-71-02



BOEING
COMPONENT
MAINTENANCE MANUAL

WIRE			FROM EQUIPMENT			TO EQUIPMENT			WIRE INFO					
NUMBER	GA	TYP	NUMBER	TERM	TT	WD	REF	NUMBER	TERM	TT	EMC / SEP	FT	NOTE	EFFECTIVITY
156	24	PK	D00823	38		27-32-11		D04511J	2		N2	4	MZK-F2	VA021-VA300 VA316-VA500 VA520-VA700 VA713-VA800 VA811-VA999 VB003-VB050 VB056-VB100 VB124-VB200 VB203-VB280 VB285-VB300 VB302-VB320 VB323-VB370 VB374-VB400 VB402-VB410 VB421-VE020 VE024-VE040 VE044-VE060 VE069-VE100 VE104-VE115 VE117-VE180 VF001-VF011 VF021-VF110 VF161-VF180 VK001-VK180 VL001-VL040 VL701-VL790 VL796-VL805 VL891-VL930 VM999-VN095 VN111-VN173 VN191-VN340 VN371-VN656 VN671-VN960 VN966-VN967 VN971-VN990 VR401-VR401 VR421-VR421 VR426-VR427 VR471-VR471 VS051-VS052 VS066-VS070 VS073-VS073 VS196-VS199 VS246-VS248 VS266-VS268
156	24	PK	D00823	38		27-32-11		D04511J	2		N2	4		VF251-VF260 VK181-VK190 VL806-VL810 VL871-VL880 VL931-VL945 VN096-VN110 VN174-VN190 VN657-VN670 VN968-VN970 VR461-VR461 VS061-VS061 VS091-VS094 VS111-VS111 VS131-VS132 VS176-VS177 VS186-VS187 VS206-VS207 VS261-VS262
156	24	PK	D00823	38		27-32-11		D04511J	2		N2	2		VA001-VB410 VB421-VE180 VF001-VF011 VF021-VF110 VF161-VF180 VK001-VK180 VL001-VL040 VL701-VL790 VL796-VL805 VL891-VL930 VM999-VN095 VN111-VN173 VN191-VN340 VN371-VN656 VN671-VN960 VN966-VN967 VN971-VN990 VR401-VR401 VR421-VR421 VR426-VR427 VR471-VR471 VS051-VS052 VS066-VS070 VS073-VS073 VS196-VS199 VS246-VS248 VS266-VS268

286T0045-101
Wire Bundle Assembly
Figure 101 (Sheet 96)

25-71-02

WIRE		FROM EQUIPMENT			TO EQUIPMENT			WIRE INFO					
NUMBER	GA	TYP	NUMBER	TERM	TT	WD REF	NUMBER	TERM	TT	EMC / SEP	FT	NOTE	EFFECTIVITY
157	24	PK	D04511J	4		27-32-11	SM00050			N2	4		VF251-VF260 VK181-VK190 VL806-VL810 VL871-VL880 VL931-VL945 VN096-VN110 VN174-VN190 VN657-VN670 VN968-VN970 VR461-VR461 VS061-VS061 VS091-VS094 VS111-VS111 VS131-VS132 VS176-VS177 VS186-VS187 VS206-VS207 VS261-VS262
157	24	PK	D04511J	4		27-32-11	SM00050			N2	1		VA001-VA001 VA701-VA712 VB001-VB002 VB051-VB055 VB201-VB202 VB281-VB284 VB321-VB322 VB401-VB401 VE041-VE043 VE061-VE068 VE116-VE116
158	24	PK	SM00037		W	27-32-11	D00823	40		N2	2		VA002-VA020 VA301-VA315 VA501-VA519 VA801-VA810 VB101-VB123 VB301-VB301 VB371-VB373 VE021-VE023 VE101-VE103
158	24	PK	SM00037		W	27-32-11	D00823	4		N2	2	MZK-T2	VA021-VA300 VA316-VA500 VA520-VA700 VA713-VA800 VA811-VA999 VB003-VB050 VB056-VB100 VB124-VB200 VB203-VB280 VB285-VB300 VB302-VB320 VB323-VB370 VB374-VB400 VB402-VB410 VB421-VE020 VE024-VE040 VE044-VE060 VE069-VE100 VE104-VE115 VE117-VE180 VF001-VF011 VF021-VF110 VF161-VF180 VK001-VK180 VL001-VL040 VL701-VL790 VL796-VL805 VL891-VL930 VM999-VN095 VN111-VN173 VN191-VN340 VN371-VN656 VN671-VN960 VNS66-VNS67 VN971-VN990 VR401-VR401 VR421-VR421 VR436-VR427 VR471-VR471 VS051-VS052 VS066-VS070 VS073-VS073 VS196-VS199 VS246-VS248 VS266-VS268
158	24	PK	SM00037		W	27-32-11	D00823	4		N2	2		VF251-VF260 VK181-VK190 VL806-VL810 VL871-VL880 VL931-VL945 VN096-VN110 VN174-VN190 VN657-VN670 VN968-VN970 VR461-VR461 VS061-VS061 VS091-VS094 VS111-VS111 VS131-VS132 VS176-VS177 VS186-VS187 VS206-VS207 VS261-VS262

286T0045-101
Wire Bundle Assembly
Figure 101 (Sheet 97)

25-71-02



BOEING
COMPONENT
MAINTENANCE MANUAL

WIRES		FROM EQUIPMENT			TO EQUIPMENT			WIRE INFO		
NUMBER	CA TYP	NUMBER	TERM TT	WD REF	NUMBER	TERM TT	EMC / SEP	FT	NOTE	EFFECTIVITY
158	24 PK	SM00037	W	27-32-11	D00823	4	N2	1		VA001-VA001 VA701-VA712 VB001-VB002 VB051-VB055 VB201-VB202 VB281-VB284 VB321-VB322 VB401-VB401 VE041-VE043 VE061-VE068 VE116-VE116
159	24 PK	D04349J	14	27-32-11	D00823	9	N2	4		VA002-VA020 VA301-VA315 VA501-VA519 VA801-VA810 VE101-VE123 VB301-VB301 VB371-VB373 VE021-VE023 VE101-VE103
159	24 PK	D04349J	14	27-32-11	D00823	36	N2	4	MZK-B2	VA021-VA300 VA316-VA500 VA520-VA700 VA713-VA800 VA811-VA999 VB003-VB050 VB056-VB100 VE124-VB200 VB203-VB280 VB285-VB300 VB302-VB320 VB323-VB370 VB374-VB400 VB402-VB410 VB421-VE020 VE024-VE040 VE044-VE060 VE069-VE100 VE104-VE115 VE117-VE180 VF001-VF011 VF021-VF110 VF161-VF180 VK001-VK180 VL001-VL040 VL701-VL790 VL796-VL805 VL891-VL930 VM999-VN095 VN111-VN173 VN191-VN340 VN371-VN656 VN671-VN960 VN966-VN967 VN971-VN990 VR401-VR401 VR421-VR421 VR426-VR427 VR471-VR471 VS051-VS052 VS066-VS070 VS073-VS073 VS196-VS199 VS246-VS248 VS266-VS268
159	24 PK	D04349J	14	27-32-11	D00823	36	N2	4		VF251-VF260 VK181-VK190 VL806-VL810 VL871-VL880 VL931-VL945 VN096-VN110 VN174-VN190 VN657-VN670 VN968-VN970 VR461-VR461 VS061-VS061 VS091-VS094 VS111-VS111 VS131-VS132 VS176-VS177 VS186-VS187 VS206-VS207 VS261-VS262
159	24 PK	D04349J	14	27-32-11	D00823	36	N2	1		VA001-VA001 VA701-VA712 VB001-VB002 VB051-VB055 VB201-VB202 VB281-VB284 VB321-VB322 VB401-VB401 VE041-VE043 VE061-VE068 VE116-VE116

286T0045-101
Wire Bundle Assembly
Figure 101 (Sheet 98)

25-71-02

WIRE			FROM EQUIPMENT			TO EQUIPMENT			WIRE INFO		
NUMBER	GA	TYP	NUMBER	TERM TT	WD REF	NUMBER	TERM TT	EMC/SEP	FT	NOTE	EFFECTIVITY
160	24	PK	D04349J	15	27-32-11	D00823	42	N2	4		VA002-VA020 VA301-VA315 VA501-VA519 VA801-VA810 VB101-VB123 VB301-VB301 VB371-VB373 VE021-VE023 VE101-VE103
160	24	PK	D04349J	15	27-32-11	D00823	3	N2	4	MZK-B2	VA021-VA300 VA316-VA500 VA520-VA700 VA713-VA800 VA811-VA999 VB003-VB050 VB056-VB100 VB124-VB200 VB203-VB280 VB285-VB300 VB302-VB320 VB323-VB370 VB374-VB400 VB402-VB410 VB421-VE020 VE024-VE040 VE044-VE060 VE069-VE100 VE104-VE115 VE117-VE180 VF001-VF011 VF021-VF110 VF161-VF180 VE001-VK180 VL001-VL040 VL701-VL790 VL796-VL805 VL891-VL930 VM999-VN095 VN111-VN173 VN191-VN340 VN371-VN656 VN671-VN960 VN966-VN967 VN971-VN990 VR401-VR401 VR421-VR421 VR426-VR427 VR471-VR471 VS051-VS052 VS066-VS070 VS073-VS073 VS196-VS199 VS246-VS248 VS266-VS268
160	24	PK	D04349J	15	27-32-11	D00823	3	N2	4		VF251-VF260 VK181-VK190 VL806-VL810 VL871-VL880 VL931-VL945 VN096-VN110 VN174-VN190 VN657-VN670 VN968-VN970 VR461-VR461 VS061-VS061 VS091-VS094 VS111-VS111 VS131-VS132 VS176-VS177 VS186-VS187 VS206-VS207 VS261-VS262
160	24	PK	D04349J	15	27-32-11	D00823	3	N2	1		VA001-VA001 VA701-VA712 VB001-VB002 VB051-VB055 VB201-VB202 VB281-VB284 VB321-VB322 VB401-VB401 VE041-VE043 VE061-VE068 VE116-VE116
161	24	PK	D04349J	16	27-32-11	D00823	41	N2	4		VA002-VA020 VA301-VA315 VA501-VA519 VA801-VA810 VB101-VB123 VB301-VB301 VB371-VB373 VE021-VE023 VE101-VE103

286T0045-101
Wire Bundle Assembly
Figure 101 (Sheet 99)

25-71-02



BOEING
COMPONENT
MAINTENANCE MANUAL

WIRE		FROM EQUIPMENT			TO EQUIPMENT			WIRE INFO		
NUMBER	GA TYP	NUMBER	TERM TT	WD REF	NUMBER	TERM TT	EMC/SEP	FT	NOTE	EFFECTIVITY
161	24 PK	D04349J	16	27-32-11	D00823	43	N2	4	MZK-B2	VA021-VA300 VA316-VA500 VA520-VA700 VA713-VA800 VA811-VA999 VB003-VB050 VB056-VB100 VB124-VB200 VB203-VB280 VB285-VB300 VB302-VB320 VB323-VB370 VB374-VB400 VB402-VB410 VB421-VB020 VE024-VE040 VE044-VE060 VE069-VE100 VE104-VE115 VE117-VE180 VF001-VF011 VF021-VF110 VF161-VF180 VK001-VK180 VL001-VL040 VL701-VL790 VL796-VL805 VL891-VL930 VM999-VN095 VN111-VN173 VN191-VN340 VN371-VN656 VN671-VN960 VN966-VN967 VN971-VN990 VR401-VR401 VR421-VR421 VR426-VR427 VR471-VR471 VS051-VS052 VS066-VS070 VS073-VS073 VS196-VS199 VS246-VS248 VS266-VS268
161	24 PK	D04349J	16	27-32-11	D00823	43	N2	4		VF251-VF260 VK181-VK190 VL806-VL810 VL871-VL880 VL931-VL945 VN096-VN110 VN174-VN190 VN657-VN670 VN968-VN970 VR461-VR461 VS061-VS061 VS091-VS094 VS111-VS111 VS131-VS132 VS176-VS177 VS186-VS187 VS206-VS207 VS261-VS262
161	24 PK	D04349J	16	27-32-11	D00823	43	N2	1		VA001-VA001 VA701-VA712 VB001-VB002 VB051-VB055 VB201-VB202 VB281-VB284 VB321-VB322 VB401-VB401 VE041-VE043 VE061-VE068 VE116-VE116
162	24 PK	D04349J	10	27-32-11	D00823	43	N2	4		VA002-VA020 VA301-VA315 VA501-VA519 VA801-VA810 VB101-VB133 VB301-VB301 VB371-VB373 VE021-VE023 VE101-VE103

286T0045-101
Wire Bundle Assembly
Figure 101 (Sheet 100)

25-71-02

WIRE			FROM EQUIPMENT			TO EQUIPMENT			WIRE INFO		
NUMBER	GA	TYP	NUMBER	TERM TT	WD REF	NUMBER	TERM TT	EMC/SEP	FT	NOTE	EFFECTIVITY
162	24	PK	D04349J	10	27-32-11	D00823	2	N2	4	MZK-B2	VA021-VA300 VA316-VA500 VA520-VA700 VA713-VA800 VA811-VA999 VB003-VB050 VB056-VB100 VB124-VB200 VB203-VB280 VB285-VB300 VB302-VB320 VB323-VB370 VB374-VB400 VB402-VB410 VB421-VB020 VE024-VE040 VE044-VE060 VE069-VE100 VE104-VE115 VE117-VE180 VF001-VF011 VF021-VF110 VF161-VF180 VK001-VK180 VL001-VL040 VL701-VL790 VL796-VL805 VL891-VL930 VM999-VN095 VN111-VN173 VN191-VN340 VN371-VN656 VM671-VN960 VN966-VN967 VN971-VN990 VR401-VR401 VR421-VR421 VR426-VR427 VR471-VR471 VS051-VS052 VS066-VS070 VS073-VS073 VS196-VS199 VS246-VS248 VS266-VS268
162	24	PK	D04349J	10	27-32-11	D00823	2	N2	4		VF251-VF260 VK181-VK190 VL806-VL810 VL871-VL880 VL931-VL945 VN096-VN110 VN174-VN190 VM657-VN670 VN968-VN970 VR461-VR461 VS061-VS061 VS091-VS094 VS111-VS111 VS131-VS132 VS176-VS177 VS186-VS187 VS206-VS207 VS261-VS262
162	24	PK	D04349J	10	27-32-11	D00823	2	N2	1		VA001-VA001 VA701-VA712 VB001-VB002 VB051-VB055 VB201-VB202 VB281-VB284 VB321-VB322 VB401-VB401 VE041-VE043 VE061-VE068 VE116-VE116
163	24	PK	D00823	46	27-32-11	D00823	22	N2	1		VA001-VA001 VA701-VA712 VB001-VB002 VB051-VB055 VB201-VB202 VB281-VB284 VB321-VB322 VB401-VB401 VE041-VE043 VE061-VE068 VE116-VE116

 286T0045-101
 Wire Bundle Assembly
 Figure 101 (Sheet 101)

25-71-02

 TESTING & TROUBLE SHOOTING
 01 Page 116J
 Nov 01/02



BOEING
COMPONENT
MAINTENANCE MANUAL

WIRE			FROM EQUIPMENT			TO EQUIPMENT			WIRE INFO		
NUMBER	GA	TYP	NUMBER	TERM TT	WD REF	NUMBER	TERM TT	EMC / SEP	FT	NOTE	EFFECTIVITY
164	24	PK	D01381	46	27-32-21	D01381	22	N2	1		VA001-VA001 VA021-VA500 VA520-VA800 VA811-VB300 VB302-VB410 VB421-VE020 VE024-VE100 VE104-VE180 VF001-VF011 VF021-VF110 VF161-VF180 VK001-VK180 VL001-VL040 VL701-VL790 VL796-VL805 VL891-VL930 VM999-VN095 VN111-VN173 VN191-VN340 VN371-VN656 VN671-VN960 VN966-VN967 VN971-VN990 VR401-VR401 VR421-VR421 VR426-VR427 VR471-VR471 VS051-VS052 VS066-VS070 VS073-VS073 VS196-VS199 VS246-VS248 VS266-VS268
165	22	PA	D04349J	11	27-32-21	D01381	34	N2	4		VA002-VA020 VA501-VA519 VA801-VA810 VB301-VB301 VE021-VE023 VE101-VE103
165	22	PA	D04349J	11	27-32-21	D01381	34	N2	4	MZK-F2	VF251-VF260 VK181-VK190 VL806-VL810 VL871-VL880 VL931-VL945 VN096-VN110 VN174-VN190 VN657-VN670 VN968-VN970 VR461-VR461 VS061-VS061 VS091-VS094 VS111-VS111 VS131-VS132 VS176-VS177 VS186-VS187 VS206-VS207 VS261-VS262
165	22	PA	D04349J	11	27-32-21	D01381	34	N2	2		VA001-VA001 VA701-VA712 VB001-VB002 VB051-VB055 VB201-VB202 VB281-VB284 VB321-VB322 VB401-VB401 VE041-VE043 VE061-VE068 VE116-VE116
166	24	PK	D01381	8	27-32-21	D04349J	6	N2	4		VA002-VA020 VA501-VA519 VA801-VA810 VB301-VB301 VE021-VE023 VE101-VE103

286T0045-101
Wire Bundle Assembly
Figure 101 (Sheet 102)

25-71-02



COMPONENT
MAINTENANCE MANUAL

WIRE			FROM EQUIPMENT				TO EQUIPMENT				WIRE INFO			
NUMBER	GA	TYP	NUMBER	TERM	TT	WD REF	NUMBER	TERM	TT	ENC/SEP	FT	NOTE	EFFECTIVITY	
166	24	PK	D01381	40		27-32-21	D04349J	6		N2	4	MZK-F2	VA021-VA300 VA316-VA500 VA520-VA700 VA713-VA800 VA811-VA999 VB003-VB050 VB056-VB100 VB124-VB200 VB203-VB280 VB285-VB300 VB302-VB320 VB323-VB370 VB374-VB400 VB402-VB410 VB421-VE020 VE024-VE040 VE044-VE060 VE069-VE100 VE104-VE115 VE117-VE180 VF001-VF011 VF021-VF110 VF161-VF180 VK001-VK180 VL001-VL040 VL701-VL790 VL796-VL805 VL891-VL930 VM999-VN095 VN111-VN173 VN191-VN340 VN371-VN656 VM671-VN960 VN966-VN967 VN971-VN990 VR401-VR401 VR421-VR421 VR426-VR427 VR471-VR471 VS051-VS052 VS066-VS070 VS073-VS073 VS196-VS199 VS246-VS248 VS266-VS268	
166	24	PK	D01381	40		27-32-21	D04349J	6		N2	4		VA301-VA315 VB101-VB123 VB371-VB373	
166	24	PK	D01381	40		27-32-21	D04349J	6		N2	4	MZK-F2	VF251-VF260 VK181-VK190 VL806-VL810 VL871-VL880 VL931-VL945 VN096-VN110 VN174-VN190 VN657-VN670 VN968-VN970 VR461-VR461 VS061-VS061 VS091-VS094 VS111-VS111 VS131-VS132 VS176-VS177 VS186-VS187 VS206-VS207 VS261-VS262	
166	24	PK	D01381	40		27-32-21	D04349J	6		N2	2		VA001-VA001 VA701-VA712 VB001-VB002 VB051-VB055 VB201-VB202 VB281-VB284 VB321-VB322 VB401-VB401 VE041-VE043 VE061-VE068 VE116-VE116	
167	24	PK	D01381	2		27-32-21	D04511J	7		N2	4		VA002-VA020 VA301-VA315 VA501-VA519 VA801-VA810 VB101-VB123 VB301-VB301 VB371-VB373 VE021-VE023 VE101-VE103	

286T0045-101
Wire Bundle Assembly
Figure 101 (Sheet 103)

25-71-02

TESTING & TROUBLE SHOOTING
01 Page 116L
Nov 01/02



BOEING
COMPONENT
MAINTENANCE MANUAL

WIRE			FROM EQUIPMENT			TO EQUIPMENT			WIRE INFO		
NUMBER	GA	TYP	NUMBER	TERM FT	WD REF	NUMBER	TERM FT	EMC/SEP	FT	NOTE	EFFECTIVITY
167	24	PK	D01381	31	27-32-21	D04511J	7	N2	4	MZK-F2	VA021-VA300 VA316-VA500 VA520-VA700 VA713-VA800 VA811-VA999 VB003-VB050 VB056-VB100 VB124-VB200 VB203-VB280 VB285-VB300 VB302-VB320 VB323-VB370 VB374-VB400 VB402-VB410 VB421-VE020 VE024-VE040 VE044-VE060 VE069-VE100 VE104-VE115 VE117-VE180 VF001-VF011 VF021-VF110 VF161-VF180 VK001-VK180 VL001-VL040 VL701-VL790 VL796-VL805 VL891-VL930 VM999-VN095 VNI111-VN173 VN191-VN340 VN371-VN656 VN671-VN960 VN966-VN967 VN971-VN990 VR401-VR401 VR421-VR421 VR426-VR427 VR471-VR471 VS051-VS052 VS066-VS070 VS073-VS073 VS196-VS199 VS246-VS248 VS266-VS268
167	24	PK	D01381	31	27-32-21	D04511J	7	N2	4		VF251-VF260 VK181-VK190 VL806-VL810 VL871-VL880 VL931-VL945 VN096-VN110 VN174-VN190 VN657-VN670 VN968-VN970 VR461-VR461 VS061-VS061 VS091-VS094 VS111-VS111 VS131-VS132 VS176-VS177 VS186-VS187 VS206-VS207 VS261-VS262
167	24	PK	D01381	31	27-32-21	D04511J	7	N2	2		VA001-VB410 VB421-VE180 VF001-VF011 VF021-VF110 VF161-VF180 VK001-VK180 VL001-VL040 VL701-VL790 VL796-VL805 VL891-VL930 VM999-VN095 VNI111-VN173 VN191-VN340 VN371-VN656 VN671-VN960 VN966-VN967 VN971-VN990 VR401-VR401 VR421-VR421 VR426-VR427 VR471-VR471 VS051-VS052 VS066-VS070 VS073-VS073 VS196-VS199 VS246-VS248 VS266-VS268

286T0045-101
Wire Bundle Assembly
Figure 101 (Sheet 104)

25-71-02



COMPONENT
MAINTENANCE MANUAL

WIRE		FROM EQUIPMENT			TO EQUIPMENT			WIRE INFO						
NUMBER	GA	PA	NUMBER	TERM	TT	WD	REF	NUMBER	TERM	TT	EMC/SEP	FT	NOTE	EFFECTIVITY
168	20	PA	GDX0002	D..	2	27-32-21		D04511J	8		N2	4		VF251-VF260 VK181-VK190 VL806-VL810 VL871-VL880 VL931-VL945 VN096-VN110 VN174-VN190 VN657-VN670 VN968-VN970 VR461-VR461 VS061-VS061 VS091-VS094 VS111-VS111 VS131-VS132 VS176-VS177 VS186-VS187 VS206-VS207 VS261-VS262
168	20	PA	GDX0002	D..	2	27-32-21		D04511J	8		N2	2		VA001-VA001 VA701-VA712 VE001-VE002 VB051-VB055 VB201-VB202 VB281-VB284 VB321-VB322 VB401-VB401 VE041-VE043 VE061-VE068 VE116-VE116
169	24	PK	D04349J	34		27-32-21		D01381	9		N2	4		VA002-VA020 VA301-VA315 VA501-VA519 VA801-VA810 VB101-VB123 VB301-VB301 VB371-VB373 VE021-VE023 VE101-VE103
169	24	PK	D04349J	34		27-32-21		D01381	36		N2	4	MZK-B2	VA021-VA300 VA316-VA500 VA520-VA700 VA713-VA800 VA811-VA999 VB003-VB050 VB056-VB100 VB124-VB200 VB203-VB280 VB285-VB300 VB302-VB320 VB323-VB370 VB374-VB400 VB402-VB410 VB421-VE020 VE024-VE040 VE044-VE060 VE069-VE100 VE104-VE115 VE117-VE180 VF001-VF011 VF021-VF110 VF161-VF180 VK001-VK180 VL001-VL040 VL701-VL790 VL796-VL805 VL891-VL930 VM999-VN095 VNI11-VN173 VN191-VN340 VN371-VN656 VN671-VN960 VN966-VN967 VN971-VN990 VR401-VR401 VR421-VR421 VR426-VR427 VR471-VR471 VS051-VS052 VS066-VS070 VS073-VS073 VS196-VS199 VS246-VS248 VS266-VS268
169	24	PK	D04349J	34		27-32-21		D01381	36		N2	4		VF251-VF260 VK181-VK190 VL806-VL810 VL871-VL880 VL931-VL945 VN096-VN110 VN174-VN190 VN657-VN670 VN968-VN970 VR461-VR461 VS061-VS061 VS091-VS094 VS111-VS111 VS131-VS132 VS176-VS177 VS186-VS187 VS206-VS207 VS261-VS262

286T0045-101
Wire Bundle Assembly
Figure 101 (Sheet 105)

25-71-02



BOEING
COMPONENT
MAINTENANCE MANUAL

WIRE			FROM EQUIPMENT				TO EQUIPMENT				WIRE INFO			
NUMBER	GA	TYP	NUMBER	TERM	TT	WD REF	NUMBER	TERM	TT	EMC/SEP	FT	NOTE	EFFECTIVITY	
169	24	PK	D04349J	34		27-32-21	D01381	36		N2	2		VA001-VA001 VA701-VA712 VB001-VB002 VB051-VB055 VB201-VB202 VB281-VB284 VB321-VB322 VB401-VB401 VE041-VE043 VE061-VE068 VE116-VE116	
170	24	PK	D04349J	35		27-32-21	D01381	42		N2	4		VA002-VA020 VA501-VA519 VA801-VA810 VB301-VB301 VE021-VE023 VE101-VE103	
170	24	PK	D04349J	35		27-32-20	D01381	3		N2	4	MZK-B2	VA021-VA300 VA316-VA500 VA520-VA700 VA713-VA800 VA811-VA999 VB003-VB050 VB056-VB100 VB124-VB200 VB203-VB280 VB285-VB300 VB302-VB320 VB323-VB370 VB374-VB400 VB402-VB410 VB421-VE020 VE024-VE040 VE044-VE060 VE069-VE100 VE104-VE115 VE117-VE180 VF001-VF011 VF021-VF110 VF161-VF180 VK001-VK180 VL001-VL040 VL701-VL790 VL796-VL805 VL891-VL930 VM999-VN050 VN053-VN095 VN111-VN173 VN191-VN340 VN371-VN656 VN671-VN960 VN966-VN967 VN971-VN990 VR401-VR401 VR421-VR421 VR426-VR427 VR471-VR471 VS051-VS052 VS066-VS070 VS073-VS073 VS196-VS199 VS246-VS248 VS266-VS268	
170	24	PK	D04349J	35		27-32-21	D01381	3		N2	4		VA301-VA315 VB101-VB123 VB371-VB373	
170	24	PK	D04349J	35		27-32-21	D01381	3		N2	4	MZK-B2	VF251-VF260 VK181-VK190 VL806-VL810 VL871-VL880 VL931-VL945 VN096-VN110 VN174-VN190 VN657-VN670 VN968-VN970 VR461-VR461 VS061-VS061 VS091-VS094 VS111-VS111 VS131-VS132 VS176-VS177 VS186-VS187 VS206-VS207 VS261-VS262	
170	24	PK	D04349J	35		27-32-21	D01381	3		N2	2		VN051-VN052	
170	24	PK	D04349J	35		27-32-21	D01381	3		N2	4	ZSZ-B6	VA001-VA001 VA701-VA712 VB001-VB002 VB051-VB055 VB201-VB202 VB281-VB284 VB321-VB322 VB401-VB401 VE041-VE043 VE061-VE068 VE116-VE116	

286T0045-101
Wire Bundle Assembly
Figure 101 (Sheet 106)

25-71-02

WIRE		FROM EQUIPMENT			TO EQUIPMENT			WIRE INFO		
NUMBER	GA TYP	NUMBER	TERM TT	WD REF	NUMBER	TERM TT	EMC/SEP	FT	NOTE	EFFECTIVITY
171	24 PK	D04349J	36	27-32-21	D01381	41	N2	4		VA002-VA020 VA501-VA519 VA801-VA810 VB301-VB301 VE021-VE023 VE101-VE103
171	24 PK	D04349J	36	27-32-20	D01381	43	N2	4	MZK-B2	VA021-VA300 VA316-VA500 VA520-VA700 VA713-VA800 VA811-VA999 VB003-VB050 VB056-VB100 VB124-VB200 VB203-VB280 VB285-VB300 VB302-VB320 VB323-VB370 VB374-VB400 VB402-VB410 VB421-VB020 VE024-VE040 VE044-VE060 VE069-VE100 VE104-VE115 VE117-VE180 VF001-VF011 VF021-VF110 VF161-VF180 VK001-VK180 VL001-VL040 VL701-VL790 VL796-VL805 VL891-VL930 VM999-VN095 VN111-VN173 VN191-VN340 VN371-VN656 VN671-VN960 VN966-VN967 VN971-VN990 VR401-VR401 VR421-VR421 VR426-VR427 VR471-VR471 VS051-VS052 VS066-VS070 VS073-VS073 VS196-VS199 VS246-VS248 VS266-VS268
171	24 PK	D04349J	36	27-32-21	D01381	43	N2	4		VA301-VA315 VB101-VB123 VB371-VB373
171	24 PK	D04349J	36	27-32-21	D01381	43	N2	4	MZK-B2	VF251-VF260 VK181-VK190 VL806-VL810 VL871-VL880 VL931-VL945 VN096-VN110 VN174-VN190 VN657-VN670 VN968-VN970 VR461-VR461 VS061-VS061 VS091-VS094 VS111-VS111 VS131-VS132 VS176-VS177 VS186-VS187 VS206-VS207 VS261-VS262
171	24 PK	D04349J	36	27-32-21	D01381	43	N2	2		VA001-VA001 VA701-VA712 VB001-VB002 VB051-VB055 VB201-VB202 VB281-VB284 VB321-VB322 VB401-VB401 VE041-VE043 VE061-VE068 VE116-VE116
172	24 PK	D04349J	37	27-32-21	D01381	43	N2	4		VA002-VA020 VA501-VA519 VA801-VA810 VB301-VB301 VE021-VE023 VE101-VE103

286T0045-101
Wire Bundle Assembly
Figure 101 (Sheet 107)

25-71-02



BOEING
COMPONENT
MAINTENANCE MANUAL

WIRE			FROM EQUIPMENT			TO EQUIPMENT			WIRE INFO				
NUMBER	GA	TYP	NUMBER	TERM	TT	WD REF	NUMBER	TERM	TT	EMC/SEP	FT	NOTE	EFFECTIVITY
172	24	PK	D04349J	37		27-32-20	D01381	2		N2	4	MZK-B2	VA021-VA300 VA316-VA500 VA520-VA700 VA713-VA800 VAB11-VA999 VB003-VB050 VB056-VB100 VB124-VB200 VB203-VB280 VB285-VB300 VB302-VB320 VB323-VB370 VB374-VB400 VB402-VB410 VB421-VE020 VE024-VE040 VE044-VE060 VE069-VE100 VE104-VE115 VE117-VE180 VF001-VF011 VF021-VF110 VF161-VF180 VK001-VK180 VL001-VL040 VL701-VL790 VL796-VL805 VL891-VL930 VM999-VN095 VN111-VN173 VN191-VN340 VN371-VNG56 VNG71-VN960 VN966-VN967 VN971-VN990 VR401-VR401 VR421-VR421 VR426-VR427 VR471-VR471 VS051-VS052 VS066-VS070 VS073-VS073 VS196-VS199 VS246-VS248 VS266-VS268
172	24	PK	D04349J	37		27-32-21	D01381	2		N2	4		VA301-VA315 VB101-VB123 VB371-VB373
172	24	PK	D04349J	37		27-32-21	D01381	2		N2	4	MZK-B2	VF251-VF260 VK181-VK190 VL806-VL810 VL871-VL880 VL931-VL945 VN096-VN110 VN174-VN190 VN657-VN670 VN968-VN970 VR461-VR461 VS061-VS061 VS091-VS094 VS111-VS111 VS131-VS132 VS176-VS177 VS186-VS187 VS206-VS207 VS261-VS262
172	24	PK	D04349J	37		27-32-21	D01381	2		N2	2		VA001-VA001 VA701-VA712 VB001-VB002 VB051-VB055 VB201-VB202 VB281-VB284 VB321-VB322 VB401-VB401 VE041-VE043 VE061-VE068 VE116-VE116
173	24	PK	D04511J	13		27-32-21	D01381	40		N2	4		VA002-VA020 VA301-VA315 VA501-VA519 VA801-VA810 VB101-VB123 VB301-VB301 VB371-VB373 VE021-VE023 VE101-VE103

286T0045-101
Wire Bundle Assembly
Figure 101 (Sheet 108)

25-71-02



COMPONENT
MAINTENANCE MANUAL

WIRE		FROM EQUIPMENT			TO EQUIPMENT			WIRE INFO		
NUMBER	GA TYP	NUMBER	TERM TT	WD REF	NUMBER	TERM TT	EMC/SEP	FT	NOTE	EFFECTIVITY
173	24 PK	D04511J	13	27-32-21	D01381	4	N2	4	MZK-T2	VA021-VA300 VA316-VA500 VA520-VA700 VA713-VA800 VA811-VA999 VB003-VB050 VB056-VB100 VB124-VE200 VB203-VB280 VB285-VB300 VB302-VB320 VB323-VB370 VB374-VB400 VB402-VB410 VB421-VE020 VE024-VE040 VE044-VE060 VE069-VE100 VE104-VE115 VE117-VE180 VF001-VF011 VF021-VF110 VF161-VF180 VK001-VK180 VL001-VL040 VL701-VL790 VL796-VL805 VL891-VL930 VN999-VN095 VN111-VN173 VN191-VN340 VN371-VN656 VN671-VN960 VN966-VN967 VN971-VN990 VR401-VR401 VR421-VR421 VR426-VR427 VR471-VR471 VS051-VS052 VS066-VS070 VS073-VS073 VS196-VS199 VS246-VS248 VS266-VS268
173	24 PK	D04511J	13	27-32-21	D01381	4	N2	4		VF251-VF260 VK181-VK190 VL806-VL810 VL871-VL880 VL931-VL945 VN096-VN110 VN174-VN190 VNC57-VN670 VN968-VN970 VR461-VR461 VS061-VS061 VS091-VS094 VS111-VS111 VS131-VS132 VS176-VS177 VS186-VS187 VS206-VS207 VS261-VS262
173	24 PK	D04511J	13	27-32-21	D01381	4	N2	2		VA001-VA001 VA701-VA712 VB001-VB002 VB051-VB055 VB201-VB202 VB281-VB284 VB321-VB322 VB401-VB401 VE041-VE043 VE061-VE068 VE116-VE116
174	24 PK	D04511J	16	27-32-21	D01381	6	N2	4		VA002-VA020 VA301-VA315 VA501-VA519 VA801-VA810 VE101-VB123 VB301-VB301 VB371-VB373 VE021-VE023 VE101-VE103

286T0045-101
Wire Bundle Assembly
Figure 101 (Sheet 109)

25-71-02



BOEING
COMPONENT
MAINTENANCE MANUAL

WIRE			FROM EQUIPMENT			TO EQUIPMENT			WIRE INFO				
NUMBER	GA	TYP	NUMBER	TERM	TT	WD REF	NUMBER	TERM	TT	EMC/SEP	FT	NOTE	EFFECTIVITY
174	24	PK	D04511J	16		27-32-21	D01381	37		N2	4	MZK-T2	VA021-VA300 VA316-VA500 VA520-VA700 VA713-VA800 VA811-VA999 VB003-VB050 VB056-VB100 VB124-VB200 VB203-VB280 VB285-VB300 VB302-VB320 VB323-VB370 VB374-VB400 VB402-VB410 VB421-VE020 VE024-VE040 VE044-VE060 VE069-VE100 VE104-VE115 VE117-VE180 VF001-VF011 VF021-VF110 VF161-VF180 VK001-VK180 VL001-VL040 VL701-VL790 VL796-VL805 VL891-VL930 VM999-VN095 VN111-VN173 VN191-VN340 VN371-VN656 VN671-VN960 VN966-VN967 VN971-VN990 VR401-VR401 VR421-VR421 VR426-VR427 VR471-VR471 VS051-VS052 VS066-VS070 VS073-VS073 VS196-VS199 VS246-VS248 VS266-VS268
174	24	PK	D04511J	16		27-32-21	D01381	37		N2	4		VF251-VF260 VK181-VK190 VL806-VL810 VL871-VL880 VL931-VL945 VN096-VN110 VN174-VN190 VN657-VN670 VN968-VN970 VR461-VR461 VS061-VS061 VS091-VS094 VS111-VS111 VS131-VS132 VS176-VS177 VS186-VS187 VS206-VS207 VS261-VS262
174	24	PK	D04511J	16		27-32-21	D01381	37		N2	2		VA001-VA001 VA701-VA712 VB001-VB002 VB051-VB055 VB201-VB202 VB281-VB284 VB321-VB322 VB401-VB401 VE041-VE043 VE061-VE068 VE116-VE116
175	24	PK	D04511J	15		27-32-21	D01381	7		N2	4		VA002-VA020 VA301-VA315 VA501-VA519 VA801-VA810 VB101-VB123 VB301-VB301 VB371-VB373 VE021-VE023 VE101-VE103

286T0045-101
Wire Bundle Assembly
Figure 101 (Sheet 110)

25-71-02

WIRE			FROM EQUIPMENT			TO EQUIPMENT			WIRE INFO				
NUMBER	GA	TYP	NUMBER	TERM	TT	WD REF	NUMBER	TERM	TT	EMC/ SEP	FT	NOTE	EFFECTIVITY
175	24	PK	D04511J	15		27-32-21	D01381	38		N2	4	MZK-T2	VA021-VA300 VA316-VA500 VA520-VA700 VA713-VA800 VA811-VA999 VB003-VB050 VB056-VB100 VB124-VB200 VB203-VB280 VB285-VB300 VB302-VB320 VB323-VB370 VB374-VB400 VB402-VB410 VB421-VE020 VE024-VE040 VE044-VE060 VE069-VE100 VE104-VE115 VE117-VE180 VF001-VF011 VF021-VF110 VF161-VF180 VK001-VK180 VL001-VL040 VL701-VL790 VL796-VL805 VL891-VL930 VN999-VN095 VN111-VN173 VN191-VN340 VN371-VN656 VN671-VN960 VN966-VN967 VN971-VN990 VR401-VR401 VR421-VR421 VR426-VR427 VR471-VR471 VS051-VS052 VS066-VS070 VS073-VS073 VS196-VS199 VS246-VS248 VS266-VS268
175	24	PK	D04511J	15		27-32-21	D01381	38		N2	4		VF251-VF260 VK181-VK190 VL806-VL810 VL871-VL880 VL931-VL945 VN096-VN110 VN174-VN190 VN657-VN670 VN968-VN970 VR461-VR461 VS061-VS061 VS091-VS094 VS111-VS111 VS131-VS132 VS176-VS177 VS186-VS187 VS206-VS207 VS261-VS262
175	24	PK	D04511J	15		27-32-21	D01381	38		N2	2		VA001-VB410 VB421-VE180 VF001-VF011 VF021-VF110 VF161-VF180 VK001-VK180 VL001-VL040 VL701-VL790 VL796-VL805 VL891-VL930 VN999-VN095 VN111-VN173 VN191-VN340 VN371-VN656 VN671-VN960 VN966-VN967 VN971-VN990 VR401-VR401 VR421-VR421 VR426-VR427 VR471-VR471 VS051-VS052 VS066-VS070 VS073-VS073 VS196-VS199 VS246-VS248 VS266-VS268

286T0045-101
Wire Bundle Assembly
Figure 101 (Sheet 111)

25-71-02



BOEING
COMPONENT
MAINTENANCE MANUAL

WIRE		FROM EQUIPMENT			TO EQUIPMENT			WIRE INFO					
NUMBER	GA	TYP	NUMBER	TERM	TT	WD REF	NUMBER	TERM	TT	EMC/ SEP	FT	NOTE	EFFECTIVITY
176	24	PK	D04509J	8		27-32-21	D01381	39		N2	4		VF251-VF260 VK181-VK190 VL806-VL810 VL871-VL880 VL931-VL945 VN096-VN110 VN174-VN190 VN657-VN670 VN968-VN970 VR461-VR461 VS061-VS061 VS091-VS094 VS111-VS111 VS131-VS132 VS176-VS177 VS186-VS187 VS206-VS207 VS261-VS262
176	24	PK	D04509J	8		27-32-21	D01381	39		N2	2		VA001-VA517 VA519-VB330 VB374-VB410 VB421-VB440 VB451-VE151 VF001-VF011 VF021-VF040 VF043-VF060 VK023-VK051 VK081-VK100 VL001-VL040 VN001-VN004 VN006-VN011 VN013-VN014 VN051-VN062 VN081-VN095 VN171-VN173 VN241-VN241 VN651-VN656
177	24	PK	D00815	34		31-51-21	D04303J	9		N2	4		VA518-VA518 VN005-VN005 VN012-VN012 VN015-VN015
177	24	PK	D00815	34		31-51-21	SP09057		S	N2	4	ZSZ-B6	VB331-VB370 VB441-VB450 VE172-VE180 VK010-VK020 VK101-VK160 VL701-VL750 VL796-VL805 VM999-VM999 VN016-VN050 VN063-VN080 VN195-VN210 VN242-VN250 VN291-VN340 VN371-VN470 VN631-VN650 VN731-VN790 VN811-VN820 VR401-VR401 VR426-VR427 VS196-VS199
177	24	PK	D00815	34		31-51-21	SM00057		W	N2	3		VB371-VB373 VE171-VE171 VK001-VK009 VK021-VK022
177	24	PK	D00815	34		31-51-21	SM00057		W	N2	4	MHE-T2	VE152-VE170 VF171-VF180 VN531-VN630 VN676-VN680
177	24	PK	D00815	34		31-51-21	SM00057		W	N2	2		VF041-VF042
177	24	PK	D00815	34		31-51-21	SM00057		W	N2	4	MHE-T2	VF061-VF110 VF161-VF170 VK052-VK080 VK161-VK180 VL751-VL790 VL891-VL930 VN111-VN170 VN211-VN240 VN251-VN290 VN471-VN530 VN671-VN675 VN681-VN730 VN791-VN810 VN821-VN960 VN966-VN967 VN971-VN990 VR421-VR421 VR471-VR471 VS051-VS052 VS066-VS070 VS073-VS073 VS246-VS248 VS266-VS268

286T0045-101
Wire Bundle Assembly
Figure 101 (Sheet 112)

25-71-02

WIRE		FROM EQUIPMENT			TO EQUIPMENT			WIRE INFO					
NUMBER	GA	TYP	NUMBER	TERM	TT	WD REF	NUMBER	TERM	TT	EMC/SEP	FT	NOTE	EFFECTIVITY
177	24	PK	D00815	34		31-51-21	SM00057		W	N2	4		VF251-VF260 VK181-VK190 VL806-VL810 VL871-VL880 VL931-VL945 VN174-VN190 VM657-VM670 VN968-VN970 VR461-VR461 VS061-VS061 VS091-VS094 VS111-VS111 VS131-VS132 VS176-VS177 VS206-VS207 VS261-VS262
177	24	PK	D00815	34		31-51-21	SM00057		W	N2	1		VN096-VN110 VS186-VS187
177	24	PK	D00815	34		31-51-21	D04303J	9	S	N2	2		VN191-VN194
177	24	PK	D00815	34		31-51-21	SM00057		S	N2	3		VA001-VB410 VB421-VE180 VF001-VF011 VF021-VF110 VF161-VF180 VK001-VK180 VL001-VL040 VL701-VL790 VL796-VL805 VL891-VL930 VM999-VN095 VN111-VN173 VN191-VN340 VN371-VN656 VN671-VN960 VN966-VN967 VN971-VN990 VR401-VR401 VR421-VR421 VR426-VR427 VR471-VR471 VS051-VS052 VS066-VS070 VS073-VS073 VS196-VS199 VS246-VS248 VS266-VS268
178	24	PK	D00815	43		31-51-21	D01433	19		N2	4		VF251-VF260 VK181-VK190 VL806-VL810 VL871-VL880 VL931-VL945 VN096-VN110 VN174-VN190 VM657-VN670 VN968-VN970 VR461-VR461 VS061-VS061 VS091-VS094 VS111-VS111 VS131-VS132 VS176-VS177 VS186-VS187 VS206-VS207 VS261-VS262
178	24	PK	D00815	43		31-51-21	D01433	19		N2	2		VA001-VB410 VB421-VE180 VF001-VF011 VF021-VF110 VF161-VF180 VK001-VK180 VL001-VL040 VL701-VL790 VL796-VL805 VL891-VL930 VM999-VN095 VN111-VN173 VN191-VN340 VN371-VN656 VN671-VN960 VN966-VN967 VN971-VN990 VR401-VR401 VR421-VR421 VR426-VR427 VR471-VR471 VS051-VS052 VS066-VS070 VS073-VS073 VS196-VS199 VS246-VS248 VS266-VS268

286T0045-101
Wire Bundle Assembly
Figure 101 (Sheet 113)

25-71-02



COMPONENT
MAINTENANCE MANUAL

WIRE			FROM EQUIPMENT			TO EQUIPMENT			WIRE INFO		
NUMBER	GA	TYP	NUMBER	TERMIN	WD REF	NUMBER	TERMIN	EMC/SEP	FT	NOTE	EFFECTIVITY
179	24	PK	D00815	10	31-51-21	D00819	5	N2	3		VF251-VF260 VK181-VK190 VL806-VL810 VL871-VL880 VL931-VL945 VN096-VN110 VN174-VN190 VN657-VN670 VN968-VN970 VR461-VR461 VS061-VS061 VS091-VS094 VS111-VS111 VS131-VS132 VS176-VS177 VS186-VS187 VS206-VS207 VS261-VS262
179	24	PK	D00815	10	31-51-21	D00819	5	N2	2		VA001-VB410 VB421-VE180 VF001-VF011 VF031-VF110 VF161-VF180 VK001-VK180 VL001-VL040 VL701-VL790 VL796-VL805 VL891-VL930 VM999-VN095 VN111-VN173 VN191-VN340 VN371-VN656 VN671-VN960 VN966-VN967 VN971-VN990 VR401-VR401 VR421-VR421 VR426-VR427 VR471-VR471 VS051-VS052 VS066-VS070 VS073-VS073 VS196-VS199 VS246-VS248 VS266-VS268
180	24	PK	D04507J	5	31-51-21	SM00034	W	N2	3		VF251-VF260 VK181-VK190 VL806-VL810 VL871-VL880 VL931-VL945 VN096-VN110 VN174-VN190 VN657-VN670 VN968-VN970 VR461-VR461 VS061-VS061 VS091-VS094 VS111-VS111 VS131-VS132 VS176-VS177 VS186-VS187 VS206-VS207 VS261-VS262
180	24	PK	D04507J	5	31-51-21	SM00034	W	N2	1		VA001-VA517 VA519-VB330 VB374-VB410 VB421-VB440 VB451-VE151 VF001-VF011 VF021-VF040 VF043-VF060 VK023-VK051 VK081-VK100 VL001-VL040 VN001-VN004 VN006-VN011 VN013-VN014 VN051-VN062 VN081-VN095 VN171-VN173 VN241-VN241 VN651-VN656
181	24	PK	D04507J	3	31-51-21	D00815	66	N2	5		VA518-VA518 VN005-VN005 VN012-VN012 VN015-VN015

286T0045-101
Wire Bundle Assembly
Figure 101 (Sheet 114)

25-71-02

WIRE		FROM EQUIPMENT			TO EQUIPMENT			WIRE INFO				
NUMBER	GA	TYP	PK	NUMBER	TERM TT	WD REF	NUMBER	TERM TT	EMC / SEP	FT	NOTE	EFFECTIVITY
181	24	PK	SP09453		S	31-51-21	D00815	66	N2	5	ZSZ-P6	VB331-VB370 VB441-VB450 VE172-VE180 VK010-VK020 VK101-VK160 VL701-VL790 VL891-VL930 VM999-VM999 VN016-VN050 VN063-VN080 VN174-VN190 VN195-VN210 VN231-VN240 VN291-VN340 VN371-VN490 VN631-VN650 VN731-VN810 VN921-VN930 VN951-VN960 VR401-VR401 VR426-VR427 VS051-VS052 VS196-VS199
181	24	PK	SM00058		W	31-51-21	D00815	66	N2	3		VE171-VE171 VK001-VK009 VK021-VK022
181	24	PK	SM00058		W	31-51-21	D00815	66	N2	5	MHE-P2	VE152-VE170 VF171-VF180 VN531-VN630 VN676-VN680
181	24	PK	SM00058		W	31-51-21	D00815	66	N2	2		VF041-VF042
181	24	PK	SM00058		W	31-51-21	D00815	66	N2	5	MHE-P2	VF061-VF110 VF161-VF170 VK052-VK080 VK161-VK180 VN111-VN170 VN211-VN230 VN251-VN290 VN491-VN530 VN671-VN675 VN681-VN730 VN821-VN920 VN931-VN950 VN966-VN967 VN971-VN990 VR421-VR421 VR471-VR471 VS066-VS070 VS073-VS073 VS246-VS248 VS266-VS268
181	24	PK	SM00058		W	31-51-21	D00815	66	N2	5		VF251-VF260 VK181-VK190 VL931-VL945 VM657-VM670 VN968-VN970 VR461-VR461 VS061-VS061 VS091-VS094 VS111-VS111 VS131-VS132 VS176-VS177 VS206-VS207 VS261-VS262
181	24	PK	SM00058		W	31-51-21	D00815	66	N2	1		VL796-VL805 VN242-VN250 VN811-VN820
181	24	PK	SM00058		W	31-51-21	D00815	66	N2	3		VL806-VL810 VL871-VL880
181	24	PK	SM00058		W	31-51-21	D00815	66	N2	1		VN096-VN110 VS186-VS187
181	24	PK	D04507J		3	31-51-21	D00815	66	N2	2		VN191-VN194

286T0045-101
Wire Bundle Assembly
Figure 101 (Sheet 115)

25-71-02



BOEING
COMPONENT
MAINTENANCE MANUAL

WIRE		FROM EQUIPMENT			TO EQUIPMENT			WIRE INFO						
NUMBER	GA	TYP	NUMBER	TERM	TT	WD	REF	NUMBER	TERM	TT	EMC/ SEP	FT	NOTE	EFFECTIVITY
181	24	PK	SM00058	S		31-51-21	D00815	D00815	66		N2	3		VA001-VB410 VB421-VE180 VF001-VF011 VF021-VF110 VF161-VF180 VK001-VK180 VL001-VL040 VL701-VL790 VL796-VL805 VL891-VL930 VM999-VN095 VN111-VN173 VN191-VN340 VN371-VN656 VN671-VN960 VN966-VN967 VN971-VN990 VR401-VR401 VR421-VR421 VR426-VR427 VR471-VR471 VS051-VS052 VS066-VS070 VS073-VS073 VS196-VS199 VS246-VS248 VS266-VS268
182	24	PK	D00815	4		31-51-21	SM00034	SM00034		W	N2	3		VF251-VF260 VK181-VK190 VL806-VL810 VL871-VL880 VL931-VL945 VN096-VN110 VN174-VN190 VN657-VN670 VN968-VN970 VR461-VR461 VS061-VS061 VS091-VS094 VS111-VS111 VS131-VS132 VS176-VS177 VS186-VS187 VS206-VS207 VS261-VS262
182	24	PK	D00815	4		31-51-21	SM00034	SM00034		W	N2	1		VA001-VA001 VA021-VA300 VA316-VA500 VA520-VA800 VA811-VB300 VB302-VB370 VB374-VB410 VB421-VE020 VE024-VE100 VE104-VE180 VF001-VF011 VF021-VF110 VF161-VF180 VK001-VK180 VL001-VL040 VL701-VL790 VL796-VL805 VL891-VL930 VM999-VN095 VN111-VN173 VN191-VN340 VN371-VN656 VN671-VN960 VN966-VN967 VN971-VN990 VR401-VR401 VR421-VR421 VR426-VR427 VR471-VR471 VS051-VS052 VS066-VS070 VS073-VS073 VS196-VS199 VS246-VS248 VS266-VS268
183	24	PK	D00815	11		31-51-21	D04349J	D04349J	39		N2	5		VA002-VA020 VA301-VA315 VA501-VA519 VA801-VA810 VB301-VB301 VB371-VB373 VE021-VE023 VE101-VE103
183	24	PK	D00815	11		31-51-21	D04349J	D04349J	39		N2	5	MZK-T2	VF251-VF260 VK181-VK190 VL806-VL810 VL871-VL880 VL931-VL945 VN096-VN110 VN174-VN190 VN657-VN670 VN968-VN970 VR461-VR461 VS091-VS094 VS111-VS111 VS131-VS132 VS176-VS177 VS186-VS187 VS206-VS207 VS261-VS262

286T0045-101
Wire Bundle Assembly
Figure 101 (Sheet 116)

25-71-02

WIRE			FROM EQUIPMENT				TO EQUIPMENT				WIRE INFO			
NUMBER	GA	TYP	NUMBER	TERM	TT	WD REF	NUMBER	TERM	TT	EMC/SEP	FT	NOTE	EFFECTIVITY	
183	24	PK	D00815	11		31-51-21	D04349J	39		N2	2		VS061-VS061	
183	24	PK	D00815	11		31-51-21	D04349J	39		N2	2		VA001-VB410 VB421-VE180 VF001-VF011 VF021-VF110 VF161-VF180 VK001-VK180 VL001-VL040 VL701-VL790 VL796-VL805 VL891-VL930 VM999-VN095 VN111-VN173 VN191-VN340 VN371-VN656 VN671-VN960 VN966-VN967 VN971-VN990 VR401-VR401 VR421-VR421 VR426-VR427 VR471-VR471 VS051-VS052 VS066-VS070 VS073-VS073 VS196-VS199 VS246-VS248 VS266-VS268	
184	22	PA	D00815	37		31-51-21	SM00035		W	N2	3		VF251-VF260 VK181-VK190 VL806-VL810 VL871-VL880 VL931-VL945 VN096-VN110 VN174-VN190 VN657-VN670 VN968-VN970 VR461-VR461 VS061-VS061 VS091-VS094 VS111-VS111 VS131-VS132 VS176-VS177 VS186-VS187 VS206-VS207 VS261-VS262	
184	22	PA	D00815	37		31-51-21	SM00035		W	N2	1		VA001-VB410 VB421-VE180 VF001-VF011 VF021-VF110 VF161-VF180 VK001-VK180 VL001-VL040 VL701-VL790 VL796-VL805 VL891-VL930 VM999-VN095 VN111-VN173 VN191-VN340 VN371-VN656 VN671-VN960 VN966-VN967 VN971-VN990 VR401-VR401 VR421-VR421 VR426-VR427 VR471-VR471 VS051-VS052 VS066-VS070 VS073-VS073 VS196-VS199 VS246-VS248 VS266-VS268	
185	22	PA	D00815	42		31-51-21	SM00036		W	N2	3		VF251-VF260 VK181-VK190 VL806-VL810 VL871-VL880 VL931-VL945 VN096-VN110 VN174-VN190 VN657-VN670 VN968-VN970 VR461-VR461 VS061-VS061 VS091-VS094 VS111-VS111 VS131-VS132 VS176-VS177 VS186-VS187 VS206-VS207 VS261-VS262	

 286T0045-101
 Wire Bundle Assembly
 Figure 101 (Sheet 117)

25-71-02

 TESTING & TROUBLE SHOOTING
 01 Page 1162
 Nov 01/02



BOEING
COMPONENT
MAINTENANCE MANUAL

WIRE		FROM EQUIPMENT			TO EQUIPMENT			WIRE INFO		
NUMBER	GA TYP	NUMBER	TERM TT	WD REF	NUMBER	TERM TT	EMC/SEP	FT	NOTE	EFFECTIVITY
185	22	PA D00815	42	31-51-21	SM00036	W	N2	1		VA001-VA001 VA021-VA300 VA316-VA500 VA520-VA800 VA811-VB300 VB302-VB370 VB374-VB410 VB421-VE020 VE024-VE100 VE104-VE180 VF001-VF011 VF021-VF110 VF161-VF180 VK001-VK180 VL001-VL040 VL701-VL790 VL796-VL805 VL891-VL930 VM999-VN095 VN111-VN173 VN191-VN340 VN371-VN656 VN671-VN960 VN966-VN967 VN971-VN990 VR401-VR401 VR421-VR421 VR426-VR427 VR471-VR471 VS051-VS052 VS066-VS070 VS073-VS073 VS196-VS199 VS246-VS248 VS266-VS266
186	24	PK D04349J	5	31-51-21	SM00012	W	N2	3		VA002-VA020 VA301-VA315 VA501-VA519 VA801-VA810 VB301-VB301 VB371-VB373 VE021-VE023 VE101-VE103
186	24	PK D04349J	5	31-51-21	SM00012	W	N2	3	MZK-F2	VF251-VF260 VK181-VK190 VL806-VL810 VL871-VL880 VL931-VL945 VN096-VN110 VN174-VN190 VNG57-VN670 VN968-VN970 VR461-VR461 VS061-VS061 VS091-VS094 VS111-VS111 VS131-VS132 VS176-VS177 VS186-VS187 VS206-VS207 VS261-VS262
186	24	PK D04349J	5	31-51-21	SM00012	W	N2	1		VA001-VB410 VB421-VE180 VF001-VF011 VF021-VF110 VF161-VF180 VK001-VK180 VL001-VL040 VL701-VL790 VL796-VL805 VL891-VL930 VM999-VN095 VN111-VN173 VN191-VN340 VN371-VN656 VN671-VN960 VN966-VN967 VN971-VN990 VR401-VR401 VR421-VR421 VR426-VR427 VR471-VR471 VS051-VS052 VS066-VS070 VS073-VS073 VS196-VS199 VS246-VS248 VS266-VS266

286T0045-101
Wire Bundle Assembly
Figure 101 (Sheet 118)

25-71-02

WIRE		FROM EQUIPMENT			TO EQUIPMENT			WIRE INFO		
NUMBER	GA TYP	NUMBER	TERM TT	WD REF	NUMBER	TERM TT	EMC / SEP	FT	NOTE	EFFECTIVITY
187	24 PK	D00815	2	31-51-21	SM00012		W N2	3		VF251-VF260 VK181-VK190 VL806-VL810 VL871-VL880 VL931-VL945 VN096-VN110 VN174-VN190 VN657-VN670 VN968-VN970 VR461-VR461 VS061-VS061 VS091-VS094 VS111-VS111 VS131-VS132 VS176-VS177 VS186-VS187 VS206-VS207 VS261-VS262
187	24 PK	D00815	2	31-51-21	SM00012		W N2	1		VAA001-VAA001 VA021-VA300 VA316-VA500 VA520-VA800 VA811-VB300 VB302-VB370 VB374-VB410 VB421-VB020 VE024-VE100 VE104-VE180 VF001-VF011 VF021-VF110 VF161-VF180 VK001-VK180 VL001-VL040 VL701-VL790 VL796-VL805 VL891-VL930 VM999-VN095 VN111-VN173 VN191-VN340 VN371-VN656 VN671-VN960 VN966-VN967 VN971-VN990 VR401-VR401 VR421-VR421 VR426-VR427 VR471-VR471 VS051-VS052 VS066-VS070 VS073-VS073 VS196-VS199 VS246-VS248 VS266-VS268
188	24 PK	SM00011		31-51-21	D04349J	4	W N2	3		VAA002-VAA020 VA301-VA315 VA501-VA519 VA801-VA810 VB301-VB301 VB371-VB373 VE021-VE023 VE101-VE103
188	24 PK	SM00011		31-51-21	D04349J	4	W N2	3	MZK-T2	VF251-VF260 VK181-VK190 VL806-VL810 VL871-VL880 VL931-VL945 VN096-VN110 VN174-VN190 VN657-VN670 VN968-VN970 VR461-VR461 VS061-VS061 VS091-VS094 VS111-VS111 VS131-VS132 VS176-VS177 VS186-VS187 VS206-VS207 VS261-VS262

286T0045-101
Wire Bundle Assembly
Figure 101 (Sheet 119)

25-71-02



BOEING
COMPONENT
MAINTENANCE MANUAL

WIRE		FROM EQUIPMENT			TO EQUIPMENT			WIRE INFO		
NUMBER	GA TYP	NUMBER	TERM TT	WD REF	NUMBER	TERM TT	EMC/SEP	FT	NOTE	EFFECTIVITY
188	24 PK	SM00011	W	31-51-21	D04349J	4	N2	1		VA001-VB410 VB421-VE180 VF001-VF011 VF021-VF110 VF161-VF180 VK001-VK180 VL001-VL040 VL701-VL790 VL796-VL805 VL891-VL930 VM999-VN095 VN111-VN173 VN191-VN340 VN371-VN656 VN671-VN960 VN966-VN967 VN971-VN990 VR401-VR401 VR421-VR421 VR426-VR427 VR471-VR471 VS051-VS052 VS066-VS070 VS073-VS073 VS196-VS199 VS246-VS248 VS266-VS268
189	24 PK	SM00011	W	31-51-21	D00815	35	N2	3		VF251-VF260 VK181-VK190 VL806-VL810 VL871-VL880 VL931-VL945 VN096-VN110 VN174-VN190 VN657-VN670 VN968-VN970 VR461-VR461 VS061-VS061 VS091-VS094 VS111-VS111 VS131-VS132 VS176-VS177 VS186-VS187 VS206-VS207 VS261-VS262
189	24 PK	SM00011	W	31-51-21	D00815	35	N2	1	PAJ-F2	VA001-VA001 VA021-VA300 VA316-VA500 VA520-VA800 VA811-VB300 VB302-VB370 VB374-VB410 VB421-VE020 VE024-VE100 VE104-VE180 VF001-VF011 VF021-VF110 VF161-VF180 VK001-VK180 VL001-VL040 VL701-VL790 VL796-VL805 VL891-VL930 VM999-VN095 VN111-VN173 VN191-VN340 VN371-VN656 VN671-VN960 VN966-VN967 VN971-VN990 VR401-VR401 VR421-VR421 VR426-VR427 VR471-VR471 VS051-VS052 VS066-VS070 VS073-VS073 VS196-VS199 VS246-VS248 VS266-VS268
190	24 PK	D04349J	12	31-51-21	SM00009	W	N2	3		VA002-VA020 VA301-VA315 VA501-VA519 VA801-VA810 VB301-VB301 VB371-VB373 VE021-VE023 VE101-VE103

286T0045-101
Wire Bundle Assembly
Figure 101 (Sheet 120)

25-71-02

WIRE		FROM EQUIPMENT			TO EQUIPMENT			WIRE INFO			
NUMBER	GA	TYP	NUMBER	TERM TT	WD REF	NUMBER	TERM TT	EMC/SEP	FT	NOTE	EFFECTIVITY
190	24	PK	D04349J	12	31-51-21	SM00009	W	N2	3	MZK-F2	VF251-VF260 VK181-VK190 VL806-VL810 VL871-VL880 VL931-VL945 VN096-VN110 VN174-VN190 VN657-VN670 VN968-VN970 VR461-VR461 VS061-VS061 VS091-VS094 VS111-VS111 VS131-VS132 VS176-VS177 VS186-VS187 VS206-VS207 VS261-VS262
190	24	PK	D04349J	12	31-51-21	SM00009	W	N2	1		VA001-VB410 VB421-VE180 VF001-VF011 VF021-VF110 VF161-VF180 VK001-VK180 VL001-VL040 VL701-VL790 VL796-VL805 VL891-VL930 VM999-VN095 VN111-VN173 VN191-VN340 VN371-VN656 VN671-VN960 VNS66-VN967 VN971-VN990 VR401-VR401 VR421-VR421 VR426-VR427 VR471-VR471 VS051-VS052 VS066-VS070 VS073-VS073 VS196-VS199 VS246-VS248 VS266-VS268
191	24	PK	D00815	44	31-51-21	SM00009	W	N2	3		VF251-VF260 VK181-VK190 VL806-VL810 VL871-VL880 VL931-VL945 VN096-VN110 VN174-VN190 VN657-VN670 VN968-VN970 VR461-VR461 VS061-VS061 VS091-VS094 VS111-VS111 VS131-VS132 VS176-VS177 VS186-VS187 VS206-VS207 VS261-VS262
191	24	PK	D00815	44	31-51-21	SM00009	W	N2	1		VA001-VA001 VA021-VA300 VA316-VA500 VA520-VA800 VA811-VB300 VB302-VB370 VB374-VB410 VB421-VE020 VE024-VE100 VE104-VE180 VF001-VF011 VF021-VF110 VF161-VF180 VK001-VK180 VL001-VL040 VL701-VL790 VL796-VL805 VL891-VL930 VM999-VN095 VN111-VN173 VN191-VN340 VN371-VN656 VN671-VN960 VNS66-VN967 VN971-VN990 VR401-VR401 VR421-VR421 VR426-VR427 VR471-VR471 VS051-VS052 VS066-VS070 VS073-VS073 VS196-VS199 VS246-VS248 VS266-VS268

 286T0045-101
 Wire Bundle Assembly
 Figure 101 (Sheet 121)

25-71-02

 TESTING & TROUBLE SHOOTING
 01 Page 118B
 Nov 01/02



BOEING
COMPONENT
MAINTENANCE MANUAL

WIRE		FROM EQUIPMENT			TO EQUIPMENT			WIRE INFO			
NUMBER	GA	TYP	NUMBER	TERM TT	WD REF	NUMBER	TERM TT	ENC / SEP	FT	NOTE	EFFECTIVITY
192	24	PK	D04347J	10	31-51-21	SM00008	W	N2	3		VA002-VA020 VA301-VA315 VA501-VA519 VA801-VA810 VB301-VB301 VB371-VB373 VE021-VE023 VE101-VE103
192	24	PK	D04347J	10	31-51-21	SM00008	W	N2	3	MZK-F2	VF251-VF260 VK181-VK190 VL806-VL810 VL871-VL880 VL931-VL945 VN096-VN110 VN174-VN190 VN657-VN670 VN968-VN970 VR461-VR461 VS061-VS061 VS091-VS094 VS111-VS111 VS131-VS132 VS176-VS177 VS186-VS187 VS206-VS207 VS261-VS262
192	24	PK	D04347J	10	31-51-21	SM00008	W	N2	1		VA001-VB410 VB421-VE180 VF001-VF011 VF021-VF110 VF161-VF180 VK001-VK180 VL001-VL040 VL701-VL790 VL796-VL805 VL891-VL930 VM999-VN095 VN111-VN173 VN191-VN340 VN371-VN656 VN671-VN960 VN966-VN967 VN971-VN990 VR401-VR401 VR421-VR421 VR426-VR427 VR471-VR471 VS051-VS052 VS066-VS070 VS073-VS073 VS196-VS199 VS246-VS248 VS266-VS268
193	24	PK	D00815	1	31-51-21	SM00008	W	N2	3		VF251-VF260 VK181-VK190 VL806-VL810 VL871-VL880 VL931-VL945 VN096-VN110 VN174-VN190 VN657-VN670 VN968-VN970 VR461-VR461 VS061-VS061 VS091-VS094 VS111-VS111 VS131-VS132 VS176-VS177 VS186-VS187 VS206-VS207 VS261-VS262

286T0045-101
Wire Bundle Assembly
Figure 101 (Sheet 122)

25-71-02

WIRE			FROM EQUIPMENT			TO EQUIPMENT			WIRE INFO		
NUMBER	GA	TYP	NUMBER	TERM FT	WD REF	NUMBER	TERM FT	EMC / SEP	FT	NOTE	EFFECTIVITY
193	24	PK	D00815	1	31-51-21	SM00008		N2	1		VA001-VA001 VA021-VA300 VA316-VA500 VA530-VA800 VA811-VB300 VB302-VB370 VB374-VB410 VB421-VE020 VE024-VE100 VE104-VE180 VF001-VF011 VF021-VF110 VF161-VF180 VK001-VK180 VL001-VL040 VL701-VL790 VL796-VL805 VL891-VL930 VM999-VN095 VN111-VN173 VN191-VN340 VN371-VN656 VN671-VN960 VN966-VN967 VN971-VN990 VR401-VR401 VR421-VR421 VR426-VR427 VR471-VR471 VS051-VS052 VS066-VS070 VS073-VS073 VS196-VS199 VS246-VS248 VS266-VS268
194	24	PK	D04347J	11	31-51-21	SM00010		N2	3		VA002-VA020 VA301-VA315 VA501-VA519 VA801-VA810 VB301-VB301 VB371-VB373 VE021-VE023 VE101-VE103
194	24	PK	D04347J	11	31-51-21	SM00010		N2	3	MZK-F2	VF251-VF260 VK181-VK190 VL806-VL810 VL871-VL880 VL931-VL945 VN096-VN110 VN174-VN190 VN657-VN670 VN968-VN970 VR461-VR461 VS061-VS061 VS091-VS094 VS111-VS111 VS131-VS132 VS176-VS177 VS186-VS187 VS206-VS207 VS261-VS262
194	24	PK	D04347J	11	31-51-21	SM00010		N2	1		VA001-VB410 VB421-VE180 VF001-VF011 VF021-VF110 VF161-VF180 VK001-VK180 VL001-VL040 VL701-VL790 VL796-VL805 VL891-VL930 VM999-VN095 VN111-VN173 VN191-VN340 VN371-VN656 VN671-VN960 VN966-VN967 VN971-VN990 VR401-VR401 VR421-VR421 VR426-VR427 VR471-VR471 VS051-VS052 VS066-VS070 VS073-VS073 VS196-VS199 VS246-VS248 VS266-VS268

286T0045-101
Wire Bundle Assembly
Figure 101 (Sheet 123)

25-71-02



BOEING
COMPONENT
MAINTENANCE MANUAL

WIRE			FROM EQUIPMENT			TO EQUIPMENT			WIRE INFO		
NUMBER	CA TYP	NUMBER	TERM TT	WD REF	NUMBER	TERM TT	EMC/SEP	FT	NOTE	EFFECTIVITY	
195	24 PK	D00815	36	31-51-21	SM00010	W	N2	3		VF251-VF260 VK181-VK190 VL806-VL810 VL871-VL880 VL931-VL945 VN096-VN110 VN174-VN190 VN657-VN670 VN968-VN970 VR461-VR461 VS061-VS061 VS091-VS094 VS111-VS111 VS131-VS132 VS176-VS177 VS186-VS187 VS206-VS207 VS261-VS262	
195	24 PK	D00815	36	31-51-21	SM00010	W	N2	1		VA001-VA001 VA021-VA300 VA316-VA500 VA520-VA800 VA811-VB300 VB302-VB370 VB374-VB410 VB421-VE020 VE024-VE100 VE104-VE180 VF001-VF011 VF021-VF110 VF161-VF180 VK001-VK180 VL001-VL040 VL701-VL790 VL796-VL805 VL891-VL930 VM999-VN095 VN111-VN173 VN191-VN340 VN371-VN656 VN671-VN960 VN966-VN967 VN971-VN990 VR401-VR401 VR421-VR421 VR426-VR427 VR471-VR471 VS051-VS052 VS066-VS070 VS073-VS073 VS196-VS199 VS246-VS248 VS266-VS268	
196	24 PK	SM00039	W	31-51-21	D04347J	21	N2	3		VA002-VA020 VA301-VA315 VA501-VA519 VA801-VA810 VB301-VB301 VB371-VB373 VE021-VE023 VE101-VE103	
196	24 PK	SM00039	W	31-51-21	D04347J	21	N2	3	MZK-T2	VF251-VF260 VK181-VK190 VL806-VL810 VL871-VL880 VL931-VL945 VN096-VN110 VN174-VN190 VN657-VN670 VN968-VN970 VR461-VR461 VS061-VS061 VS091-VS094 VS111-VS111 VS131-VS132 VS176-VS177 VS186-VS187 VS206-VS207 VS261-VS262	

286T0045-101
Wire Bundle Assembly
Figure 101 (Sheet 124)

25-71-02

WIRE		FROM EQUIPMENT			TO EQUIPMENT			WIRE INFO		
NUMBER	GA TYP	NUMBER	TERM TT	WD REF	NUMBER	TERM TT	EMC/SEP	FT	NOTE	EFFECTIVITY
196	24 PK	SM00039	W	31-51-21	D04347J	21	N2	1		VA001-VA410 VB421-VE180 VF001-VF011 VF021-VF110 VF161-VF180 VK001-VK180 VL001-VL040 VL701-VL790 VL796-VL805 VL891-VL930 VM999-VN095 VN111-VN173 VN191-VN340 VN371-VN656 VN671-VN960 VN966-VN967 VN971-VN990 VR401-VR401 VR421-VR421 VR426-VR427 VR471-VR471 VS051-VS052 VS066-VS070 VS073-VS073 VS196-VS199 VS246-VS248 VS266-VS268
197	24 PK	D00815	45	31-51-21	SM00039	W	N2	3		VF251-VF260 VK181-VK190 VL806-VL810 VL871-VL880 VL931-VL945 VN096-VN110 VN174-VN190 VNG57-VN670 VN968-VN970 VR461-VR461 VS061-VS061 VS091-VS094 VS111-VS111 VS131-VS132 VS176-VS177 VS186-VS187 VS206-VS207 VS261-VS262
197	24 PK	D00815	45	31-51-21	SM00039	W	N2	1		VA001-VA001 VA021-VA300 VA316-VA500 VA520-VA800 VA811-VB300 VB302-VB370 VB374-VB410 VB421-VE020 VE024-VE100 VE104-VE180 VF001-VF011 VF021-VF110 VF161-VF180 VK001-VK180 VL001-VL040 VL701-VL790 VL796-VL805 VL891-VL930 VM999-VN095 VN111-VN173 VN191-VN340 VN371-VN656 VN671-VN960 VN966-VN967 VN971-VN990 VR401-VR401 VR421-VR421 VR426-VR427 VR471-VR471 VS051-VS052 VS066-VS070 VS073-VS073 VS196-VS199 VS246-VS248 VS266-VS268
198	24 PK	D00815	46	31-51-21	D04347J	6	N2	5		VA002-VA020 VA301-VA315 VA501-VA519 VA801-VA810 VB301-VB301 VB371-VB373 VE021-VE023 VE101-VE103

 286T0045-101
 Wire Bundle Assembly
 Figure 101 (Sheet 125)

25-71-02

 TESTING & TROUBLE SHOOTING
 01 Page 118F
 Nov 01/02



BOEING
COMPONENT
MAINTENANCE MANUAL

WIRE		FROM EQUIPMENT			TO EQUIPMENT			WIRE INFO			
NUMBER	GA	TYP	NUMBER	TERM TT	WD REF	NUMBER	TERM TT	ENC / SEP	FT	NOTE	EFFECTIVITY
198	24	PK	D00815	46	31-51-21	D04347J	6	N2	5	MZK-T2	VF251-VF260 VK181-VK190 VL806-VL810 VL871-VL880 VL931-VL945 VN096-VN110 VN174-VN190 VM657-VN670 VN968-VN970 VR461-VR461 VS061-VS061 VS091-VS094 VS111-VS111 VS131-VS132 VS176-VS177 VS186-VS187 VS206-VS207 VS261-VS262
198	24	PK	D00815	46	31-51-21	D04347J	6	N2	2		VA001-VA800 VB001-VB410 VB421-VE180 VF001-VF011 VF021-VF110 VF161-VF180 VK001-VK180 VL001-VL040 VL701-VL790 VL796-VL805 VL891-VL930 VM999-VN095 VN111-VN173 VN191-VN340 VN371-VN656 VNG71-VN960 VN966-VN967 VN971-VN990 VR401-VR401 VR421-VR421 VR426-VR427 VR471-VR471 VS051-VS052 VS066-VS070 VS073-VS073 VS196-VS199 VS246-VS248 VS266-VS268
199	20	PA	GDX0004	S..	31-51-31	D04597J	14	N2	4		VA801-VA999
199	20	PA	SM00070	W	31-51-31	D04597J	14	N2	4		VF251-VF260 VK181-VK190 VL806-VL810 VL871-VL880 VL931-VL945 VN096-VN110 VN174-VN190 VM657-VN670 VN968-VN970 VR461-VR461 VS061-VS061 VS091-VS094 VS111-VS111 VS131-VS132 VS176-VS177 VS186-VS187 VS206-VS207 VS261-VS262
199	20	PA	GDX0004	S..	31-51-31	D04597J	14	N2	2		VA001-VB410 VB421-VE180 VF001-VF011 VF021-VF110 VF161-VF180 VK001-VK180 VL001-VL040 VL701-VL790 VL796-VL805 VL891-VL930 VM999-VN095 VN111-VN173 VN191-VN340 VN371-VN656 VNG71-VN960 VN966-VN967 VN971-VN990 VR401-VR401 VR421-VR421 VR426-VR427 VR471-VR471 VS051-VS052 VS066-VS070 VS073-VS073 VS196-VS199 VS246-VS248 VS266-VS268

286T0045-101
Wire Bundle Assembly
Figure 101 (Sheet 126)

25-71-02



COMPONENT
MAINTENANCE MANUAL

WIRE		FROM EQUIPMENT			TO EQUIPMENT			WIRE INFO			
NUMBER	GA	TYP	NUMBER	TERM TT	WD REF	NUMBER	TERM TT	EMC/SEP	FT	NOTE	EFFECTIVITY
201B	24	PW	D01489	43	31-51-33	SM00004	W	N2	4		VF251-VF260 VK181-VK190 VL806-VL810 VL871-VL880 VL931-VL945 VN096-VN110 VN174-VN190 VN657-VN670 VN968-VN970 VR461-VR461 VS061-VS061 VS091-VS094 VS111-VS111 VS131-VS132 VS176-VS177 VS186-VS187 VS206-VS207 VS261-VS262
201B	24	PW	D01489	43	31-51-33	SM00004	W	N2	1		
201R	24	PW	D01489	9	31-51-33	SM00003	W	N2			
201Z			D01489	DED	31-51-33	SM00003	REF	N2			VA001-VA001 VA701-VA712 VB001-VB002 VB051-VB055 VB201-VB202 VB281-VB284 VB321-VB322 VB401-VB401 VE041-VE043 VE061-VE068 VE116-VE116
202B	24	PW	D00823	12	27-32-11	SM00002	W	N2	3		VA002-VA020 VA501-VA519 VA801-VA810 VB301-VB302 VE021-VE023 VE101-VE103
202B	24	PW	D00823	18	27-32-11	SM00002	W	N2	3		VA001-VA001 VA701-VA712 VB001-VB002 VB051-VB055 VB201-VB202 VB281-VB284 VB321-VB322 VB401-VB401 VE041-VE043 VE061-VE068 VE116-VE116
202R	24	PW	D00823	45	27-32-11	SM00001	W	N2			VA002-VA020 VA501-VA519 VA801-VA810 VB301-VB302 VE021-VE023 VE101-VE103
202R	24	PW	D00823	16	27-32-11	SM00001	W	N2			VA001-VA020 VA501-VA519 VA701-VA712 VA801-VA810 VB001-VB002 VB051-VB055 VB201-VB202 VB281-VB284 VB301-VB301 VB321-VB322 VB401-VB401 VE021-VE023 VE041-VE043 VE061-VE068 VE101-VE103 VE116-VE116
202Z			D00823	DED	27-32-11	SM00001	REF	N2			VB302-VB302

286T0045-101
Wire Bundle Assembly
Figure 101 (Sheet 127)

25-71-02



BOEING
COMPONENT
MAINTENANCE MANUAL

WIRE			FROM EQUIPMENT			TO EQUIPMENT			WIRE INFO		
NUMBER	GA	TYP	NUMBER	TERM FT	WD REF	NUMBER	TERM FT	EMC / SEP	FT	NOTE	EFFECTIVITY
202Z			D00823	DED	27-32-11	SMO0002	REF	N2			VA001-VA300 VA316-VB100 VB124-VB370 VB374-VB410 VB421-VE116 VE118-VE180 VF001-VF011 VF021-VF110 VF161-VF180 VK001-VK180 VL001-VL040 VL701-VL790 VL796-VL805 VL891-VL930 VM999-VN095 VN111-VN173 VN191-VN340 VN371-VN656 VN671-VN960 VN966-VN967 VN971-VN990 VR401-VR401 VR421-VR421 VR426-VR427 VR471-VR471 VS051-VS052 VS066-VS070 VS073-VS073 VS196-VS199 VS246-VS248 VS266-VS268
204	20	UA	D04507J		27-32-11	GDX0004	S..	N2	4		VA301-VA315 VB101-VB123 VB371-VB373 VE117-VE117
204	20	UA	D04507J		27-32-11	GDX0004	S..	N2	4	MZE-F2	VF251-VF260 VK181-VK190 VL806-VL810 VL871-VL880 VL931-VL945 VN096-VN110 VN174-VN190 VM657-VM670 VN968-VN970 VR461-VR461 VS061-VS061 VS091-VS094 VS111-VS111 VS131-VS132 VS176-VS177 VS186-VS187 VS206-VS207 VS261-VS262
204	20	UA	D04507J		27-32-11	GDX0004	S..	N2	5	MTD-F2	
204	20	UA	D04507J		27-32-11	GDX0004	S..	N2	2		VA001-VA020 VA501-VA519 VA701-VA712 VA801-VA810 VB051-VB055 VB201-VB202 VB281-VB284 VB301-VB302 VB321-VB322 VB401-VB401 VE021-VE023 VE041-VE043 VE061-VE068 VE101-VE103 VE116-VE116

286T0045-101
Wire Bundle Assembly
Figure 101 (Sheet 128)

25-71-02



COMPONENT
MAINTENANCE MANUAL

WIRE		FROM EQUIPMENT			TO EQUIPMENT			WIRE INFO			
NUMBER	CA	TYP	NUMBER	TERM TT	WD REF	NUMBER	TERM TT	EMC/SEP	FT	NOTE	EFFECTIVITY
204B	24	PW	SM00002		W 27-32-11	D04507J	12	N2	3		VA021-VA300 VA316-VA500 VA520-VA700 VA713-VA800 VA811-VA999 VB003-VB050 VB056-VB100 VB124-VB200 VB203-VB250 VB254-VB280 VB285-VB300 VB303-VB320 VB325-VB370 VB374-VB400 VB402-VB410 VB421-VB999 VE003-VE020 VE024-VE040 VE044-VE060 VE069-VE100 VE104-VE115 VE118-VE180 VF001-VF011 VF021-VF110 VF161-VF180 VK001-VK180 VL001-VL040 VL701-VL790 VL796-VL805 VL891-VL930 VM999-VN095 VNI11-VNI173 VN191-VN340 VN371-VN656 VN671-VN960 VNS66-VNS967 VN971-VN990 VR401-VR401 VR421-VR421 VR426-VR427 VR471-VR471 VS051-VS052 VS066-VS070 VS073-VS073 VS196-VS199 VS246-VS248 VS266-VS268
204B	24	PW	D00823	18	27-32-11	D04507J	12	N2	3		VA301-VA315 VB101-VB123 VB371-VB373
204B	24	PW	D00823	18	27-32-11	D04507J	12	N2	3	MOT-F2	
204B	24	PW	SM00002	W	27-32-11	D04507J	12	N2	3		VB251-VB253 VB323-VB324
204B	24	PW	D00823	18	27-32-11	D04507J	12	N2	3	MOT-F2	
204B	24	PW	D00823	18	27-32-11	D04507J	12	N2	4	MOT-F2	
204B	24	PW	D00823	18	27-32-11	D04507J	12	N2	5	MOT-F2	
204B	24	PW	D00823	18	27-32-11	D04507J	12	N2	5		VF251-VF260 VK181-VK190 VL806-VL810 VL871-VL880 VL931-VL945 VN096-VN110 VNI174-VNI190 VN657-VN670 VN968-VN970 VR461-VR461 VS061-VS061 VS091-VS094 VS111-VS111 VS131-VS132 VS176-VS177 VS186-VS187 VS206-VS207 VS261-VS262
204B	24	PW	D00823	18	27-32-11	D04507J	12	N2	1		VA001-VA020 VA501-VA519 VA701-VA712 VA801-VA810 VB051-VB055 VB201-VB202 VB281-VB284 VB301-VB302 VB321-VB322 VB401-VB401 VE021-VE023 VE041-VE043 VE061-VE068 VE101-VE103 VE116-VE116

286T0045-101
Wire Bundle Assembly
Figure 101 (Sheet 129)

25-71-02



BOEING
COMPONENT
MAINTENANCE MANUAL

WIRE			FROM EQUIPMENT			TO EQUIPMENT			WIRE INFO		
NUMBER	GA	TYP	NUMBER	TERM FT	WD REF	NUMBER	TERM FT	EMC / SEP	FT	NOTE	EFFECTIVITY
204R	24	PW	SM00001		W	D04507J	11	N2		PAJ-F2	VA021-VA300 VA316-VA500 VA520-VA700 VA713-VA800 VA811-VA999 VB003-VB050 VB056-VB100 VB124-VB200 VB203-VB250 VB254-VB280 VB285-VB300 VB303-VB320 VB325-VB370 VB374-VB400 VB402-VB410 VB421-VD999 VE003-VE020 VE024-VE040 VE044-VE060 VE069-VE100 VE104-VE115 VE118-VE180 VF001-VF011 VF021-VF110 VF161-VF180 VF251-VF260 VK001-VK190 VL001-VL040 VL701-VL790 VL796-VL810 VL871-VL880 VL891-VL945 VM999-VN340 VN371-VN960 VN966-VN990 VR401-VR401 VR421-VR421 VR426-VR427 VR461-VR461 VR471-VR471 VS051-VS052 VS061-VS061 VS066-VS070 VS073-VS073 VS091-VS094 VS111-VS111 VS131-VS132 VS176-VS177 VS186-VS187 VS196-VS199 VS206-VS207 VS246-VS248 VS261-VS262 VS266-VS268
204R	24	PW	D00823	16	27-32-11	D04507J	11	N2			VA301-VA315 VB101-VB123 VB371-VB373
204R	24	PW	D00823	16	27-32-11	D04507J	11	N2		MOT-F2	VB001-VB002
204R	24	PW	SM00001		W	D04507J	11	N2		PAJ-F2	VB251-VB253 VB323-VB324 VE001-VE002
204R	24	PW	D00823	16	27-32-11	D04507J	11	N2		PAJ-F2	VE117-VE117
204R	24	PW	D00823	16	27-32-11	D04507J	11	N2		MOT-F2	VA001-VA020 VA501-VA519 VA701-VA712 VA801-VA810 VB051-VB055 VB201-VB202 VB281-VB284 VB301-VB301 VB321-VB322 VB401-VB401 VE021-VE023 VE041-VE043 VE061-VE068 VE101-VE103 VE116-VE116

286T0045-101
Wire Bundle Assembly
Figure 101 (Sheet 130)

25-71-02

TESTING & TROUBLE SHOOTING
01

Page 118K
Nov 01/02

WIRE		FROM EQUIPMENT			TO EQUIPMENT			WIRE INFO		
NUMBER	CA TYP	NUMBER	TERM TT	WD REF	NUMBER	TERM TT	EMC/SEP	FT	NOTE	EFFECTIVITY
204Z		D04507J		27-32-11	SM00001	REF	N2		PAJ-F2	VA021-VA300 VA316-VA500 VA520-VA700 VA713-VA800 VA811-VA999 VB003-VB050 VB056-VB100 VB124-VB200 VB203-VB250 VB254-VB280 VB285-VB300 VB303-VB320 VB325-VB370 VB374-VB400 VB402-VB410 VB421-VD999 VE003-VE020 VE024-VE040 VE044-VE060 VE069-VE100 VE104-VE115 VE118-VE180 VF001-VF011 VF021-VF110 VF161-VF180 VF251-VF260 VK001-VK190 VL001-VL040 VL701-VL790 VL796-VL810 VL871-VL880 VL891-VL945 VM999-VN340 VN371-VN960 VN966-VN990 VR401-VR401 VR421-VR421 VR426-VR427 VR461-VR461 VR471-VR471 VS051-VS052 VS061-VS061 VS066-VS070 VS073-VS073 VS091-VS094 VS111-VS111 VS131-VS132 VS176-VS177 VS186-VS187 VS196-VS199 VS206-VS207 VS246-VS248 VS261-VS262 VS266-VS268
204Z		D04507J		27-32-11	D00823	DED	N2		MZF-F2	VA301-VA315 VB101-VB123 VB371-VB373
204Z		D04507J		27-32-11	D00823	DED	N2		PAJ-F2	VB001-VB002
204Z		D04507J		27-32-11	SM00001	REF	N2		PAJ-F2	VB251-VB253 VB323-VB324 VE001-VE002
204Z		D04507J		27-32-11	D00823	DED	N2		PAJ-F2	VB302-VB302
204Z		D04507J		27-32-11	SM00002	REF	N2		MTE-F2	VE117-VE117
204Z		D00823	DED	27-32-11	D04507J		N2			VA001-VB410 VB421-VE180 VF001-VF011 VF021-VF110 VF161-VF180 VK001-VK180 VL001-VL040 VL701-VL790 VL796-VL805 VL891-VL930 VM999-VN095 VN111-VN173 VN191-VN340 VN371-VN656 VN671-VN960 VN966-VN967 VN971-VN990 VR401-VR401 VR421-VR421 VR426-VR427 VR471-VR471 VS051-VS052 VS066-VS070 VS073-VS073 VS196-VS199 VS246-VS248 VS266-VS268

 286T0045-101
 Wire Bundle Assembly
 Figure 101 (Sheet 131)

25-71-02



COMPONENT
MAINTENANCE MANUAL

WIRE		FROM EQUIPMENT			TO EQUIPMENT			WIRE INFO		
NUMBER	GA TYP	NUMBER	TERM TT	WD REF	NUMBER	TERM TT	EMC/SEP	FT	NOTE	EFFECTIVITY
205B	24	PW D00815	19	31-51-21	SM00007	W	N2	3		VF251-VF260 VK181-VK190 VL806-VL810 VL871-VL880 VL931-VL945 VM096-VN110 VN174-VN190 VN657-VN670 VN968-VN970 VR461-VR461 VS061-VS061 VS091-VS094 VS111-VS111 VS131-VS132 VS176-VS177 VS186-VS187 VS206-VS207 VS261-VS262
205B	24	PW D00815	19	31-51-21	SM00007	W	N2	1		
205R	24	PW D00815	52	31-51-21	SM00006	W	N2			
205Z		D00815	DED	31-51-21	SM00006	REF	N2			
207	20	UA D04597J		31-51-21	GDX0004	S..	N2	4		VA001-VB410 VB421-VE120 VE171-VE180 VF001-VF010 VF061-VF110 VF161-VF170 VE121-VE170 VF011-VF011 VF021-VF060 VF171-VF180 VK001-VK180 VL001-VL040 VL701-VL790 VL796-VL805 VL891-VL930 VM999-VN095 VN111-VN173 VN191-VN340 VN371-VN656 VN671-VN960 VN966-VN967 VN971-VN990 VR401-VR401 VR421-VR421 VR426-VR427 VR471-VR471 VS051-VS052 VS066-VS070 VS073-VS073 VS196-VS199 VS246-VS248 VS266-VS268
207	20	UA D04597J		31-51-21	GDX0004	S..	N2	4		VF251-VF260 VK181-VK190 VL806-VL810 VL871-VL880 VL931-VL945 VM096-VN110 VN174-VN190 VN657-VN670 VN968-VN970 VR461-VR461 VS061-VS061 VS091-VS094 VS111-VS111 VS131-VS132 VS176-VS177 VS186-VS187 VS206-VS207 VS261-VS262
207	20	UA D04597J		31-51-21	GDX0004	S..	N2	2		VA001-VB410 VB421-VE120 VE171-VE180 VF001-VF010 VF061-VF110 VF161-VF170

286T0045-101
Wire Bundle Assembly
Figure 101 (Sheet 132)

25-71-02



COMPONENT
MAINTENANCE MANUAL

WIRE		FROM EQUIPMENT			TO EQUIPMENT			WIRE INFO			
NUMBER	GA	TYP	NUMBER	TERM FT	WD REF	NUMBER	TERM FT	EMC / SEP	FT	NOTE	EFFECTIVITY
207B	24	PW	SM00007	W	31-51-21	D04597J	4	N2	3		VE121-VE170 VF011-VF011 VF021-VF060 VF171-VF180 VK001-VK180 VL001-VL040 VL701-VL790 VL796-VL805 VL891-VL930 VM999-VM095 VN111-VN173 VN191-VN340 VN371-VN656 VN671-VN960 VN966-VN967 VN971-VN990 VR401-VR401 VR421-VR421 VR426-VR427 VR471-VR471 VS051-VS052 VS066-VS070 VS073-VS073 VS196-VS199 VS246-VS248 VS266-VS268
207B	24	PW	SM00007	W	31-51-21	D04597J	4	N2	3		VF251-VF260 VK181-VK190 VL806-VL810 VL871-VL880 VL931-VL945 VN096-VN110 VN174-VN190 VN657-VN670 VN968-VN970 VR461-VR461 VS061-VS061 VS091-VS094 VS111-VS111 VS131-VS132 VS176-VS177 VS186-VS187 VS206-VS207 VS261-VS262
207B	24	PW	SM00007	W	31-51-21	D04597J	4	N2	1		VA001-VB410 VB421-VE120 VE171-VE180 VF001-VF010 VF061-VF110 VF161-VF170
207R	24	PW	SM00006	W	31-51-21	D04597J	3	N2			VE121-VE170 VF011-VF011 VF021-VF060 VF171-VF180 VF251-VF260 VK001-VK190 VL001-VL040 VL701-VL790 VL796-VL810 VL871-VL880 VL891-VL945 VM999-VN340 VN371-VN960 VN966-VN990 VR401-VR401 VR421-VR421 VR426-VR427 VR461-VR461 VR471-VR471 VS051-VS052 VS061-VS061 VS066-VS070 VS073-VS073 VS091-VS094 VS111-VS111 VS131-VS132 VS176-VS177 VS186-VS187 VS196-VS199 VS206-VS207 VS246-VS248 VS261-VS262 VS266-VS268
207R	24	PW	SM00006	W	31-51-21	D04597J	3	N2		PAJ-F2	VA001-VB410 VB421-VE120 VE171-VE180 VF001-VF010 VF061-VF110 VF161-VF170

286T0045-101
Wire Bundle Assembly
Figure 101 (Sheet 133)

25-71-02



BOEING
COMPONENT
MAINTENANCE MANUAL

WIRE		FROM EQUIPMENT			TO EQUIPMENT			WIRE INFO			
NUMBER	GA	TYPE	NUMBER	TERM TT	WD REF	NUMBER	TERM TT	EMC/SEP	FT	NOTE	EFFECTIVITY
207Z			SM00006	REF	31-51-21	D04597J		N2			VE121-VE170 VF011-VF011 VF021-VF060 VF171-VF180 VF251-VF260 VK001-VK190 VL001-VL040 VL701-VL790 VL796-VL810 VL871-VL880 VL891-VL945 VM999-VN340 VN371-VN960 VN966-VN990 VR401-VR401 VR421-VR421 VR426-VR427 VR461-VR461 VR471-VR471 VS051-VS052 VS061-VS061 VS066-VS070 VS073-VS073 VS091-VS094 VS111-VS111 VS131-VS132 VS176-VS177 VS186-VS187 VS196-VS199 VS206-VS207 VS246-VS248 VS261-VS262 VS266-VS268
207Z			SM00006	REF	31-51-21	D04597J		N2			VA001-VB410 VB421-VE180 VF001-VF011 VF021-VF110 VF161-VF180 VK001-VK180 VL001-VL040 VL701-VL790 VL796-VL805 VL891-VL930 VM999-VN095 VN111-VN173 VN191-VN340 VN371-VN656 VN671-VN960 VN966-VN967 VN971-VN990 VR401-VR401 VR421-VR421 VR426-VR427 VR471-VR471 VS051-VS052 VS066-VS070 VS073-VS073 VS196-VS199 VS246-VS248 VS266-VS268
208	20	UA	D04301J		34-16-11	GDX0002	S..	N2	4		VF251-VF260 VK181-VK190 VL806-VL810 VL871-VL880 VL931-VL945 VN096-VN110 VN174-VN190 VN657-VN670 VN968-VN970 VR461-VR461 VS061-VS061 VS091-VS094 VS111-VS111 VS131-VS132 VS176-VS177 VS186-VS187 VS206-VS207 VS261-VS262
208	20	UA	D04301J		34-16-11	GDX0002	S..	N2	2		VA001-VB410 VB421-VE180 VF001-VF011 VF021-VF110 VF161-VF180 VK001-VK180 VL001-VL040 VL701-VL790 VL796-VL805 VL891-VL930 VM999-VN095 VN111-VN173 VN191-VN340 VN371-VN656 VN671-VN960 VN966-VN967 VN971-VN990 VR401-VR401 VR421-VR421 VR426-VR427 VR471-VR471 VS051-VS052 VS066-VS070 VS073-VS073 VS196-VS199 VS246-VS248 VS266-VS268

286T0045-101
Wire Bundle Assembly
Figure 101 (Sheet 134)

25-71-02



COMPONENT
MAINTENANCE MANUAL

WIRE		FROM EQUIPMENT			TO EQUIPMENT			WIRE INFO			
NUMBER	GA	TYP	NUMBER	TERM TT	WD REF	NUMBER	TERM TT	EMC/SEP	FT	NOTE	EFFECTIVITY
208B	24	PW	D00821	36	34-16-11	D04301J	9	N2	4		VF251-VF260 VK181-VK190 VL806-VL810 VL871-VL880 VL931-VL945 VN096-VN110 VN174-VN190 VN657-VN670 VN968-VN970 VR461-VR461 VS061-VS061 VS091-VS094 VS111-VS111 VS131-VS132 VS176-VS177 VS186-VS187 VS206-VS207 VS261-VS262
208B	24	PW	D00821	36	34-16-11	D04301J	9	N2	2		VA001-VB410 VB421-VE180 VF001-VF011 VF021-VF110 VF161-VF180 VK001-VK180 VL001-VL040 VL701-VL790 VL796-VL805 VL891-VL930 VM999-VM095 VM111-VN173 VN191-VN340 VN371-VN656 VN671-VN960 VN966-VN967 VN971-VN990 VR401-VR401 VR421-VR421 VR426-VR427 VR471-VR471 VS051-VS052 VS066-VS070 VS073-VS073 VS196-VS199 VS246-VS248 VS266-VS268
208R	24	PW	D00821	2	34-16-11	D04301J	8	N2			
208Z			D00821	DED	34-16-11	D04301J		N2			
209B	24	PW	D01489	46	31-51-33	SM00007		N2	4		VF251-VF260 VK181-VK190 VL806-VL810 VL871-VL880 VL931-VL945 VN096-VN110 VN174-VN190 VN657-VN670 VN968-VN970 VR461-VR461 VS061-VS061 VS091-VS094 VS111-VS111 VS131-VS132 VS176-VS177 VS186-VS187 VS206-VS207 VS261-VS262
209B	24	PW	D01489	46	31-51-33	SM00007		N2	1		VA001-VA001 VA701-VA712 VB001-VB002 VB051-VB055 VB201-VB202 VB281-VB284 VB321-VB322 VB401-VB401 VE041-VE043 VE061-VE068 VE116-VE116
209R	24	PW	D01489	12	31-51-33	SM00006		N2			
209Z			D01489	DED	31-51-33	SM00006	REF	N2			
211B	24	PW	D01381	12	27-32-21	SM00052		N2	2		VA002-VA020 VA501-VA519 VA801-VA810 VB301-VB302 VE021-VE023 VE101-VE103

286T0045-101
Wire Bundle Assembly
Figure 101 (Sheet 135)

25-71-02



BOEING
COMPONENT
MAINTENANCE MANUAL

WIRE		FROM EQUIPMENT			TO EQUIPMENT			WIRE INFO			
NUMBER	GA	TYP	NUMBER	TERM FT	WD REF	NUMBER	TERM FT	EMC/SEP	FT	NOTE	EFFECTIVITY
211B	24	PW	D01381	18	27-32-21	SM00052	W	N2	2		VA001-VA001 VA701-VA712 VB001-VB002 VB051-VB055 VB201-VB202 VB281-VB284 VB321-VB322 VB401-VB401 VE041-VE043 VE061-VE068 VE116-VE116
211R	24	PW	D01381	45	27-32-21	SM00051	W	N2			VA002-VA020 VA501-VA519 VA801-VA810 VB301-VB302 VE021-VE023 VE101-VE103
211R	24	PW	D01381	16	27-32-21	SM00051	W	N2			VA001-VA020 VA501-VA519 VA701-VA712 VA801-VA810 VB001-VB002 VB051-VB055 VB201-VB202 VB281-VB284 VB301-VB301 VB321-VB322 VB401-VB401 VE021-VE023 VE041-VE043 VE061-VE068 VE101-VE103 VE116-VE116
211Z			D01381	DED	27-32-21	SM00051	REF	N2			VB302-VB302
211Z			D01381	DED	27-32-21	SM00052	REF	N2			VA001-VB410 VB421-VE180 VF001-VF011 VF021-VF110 VF161-VF180 VK001-VK180 VL001-VL040 VL701-VL790 VL796-VL805 VL891-VL930 VM999-VN095 VN111-VN173 VN191-VN340 VN371-VN656 VN671-VN960 VN966-VN967 VN971-VN990 VR401-VR401 VR421-VR421 VR426-VR427 VR471-VR471 VS051-VS052 VS066-VS070 VS073-VS073 VS196-VS199 VS246-VS248 VS266-VS268
212B	24	PW	D01433	36	31-51-42	SM00007	W	N2	2		VF251-VF260 VK181-VK190 VL806-VL810 VL871-VL880 VL931-VL945 VN096-VN110 VN174-VN190 VN657-VN670 VN968-VN970 VR461-VR461 VS061-VS061 VS091-VS094 VS111-VS111 VS131-VS132 VS176-VS177 VS186-VS187 VS206-VS207 VS261-VS262
212B	24	PW	D01433	36	31-51-42	SM00007	W	N2	1		
212R	24	PW	D01433	2	31-51-42	SM00006	W	N2			

286T0045-101
Wire Bundle Assembly
Figure 101 (Sheet 136)

25-71-02



COMPONENT
MAINTENANCE MANUAL

WIRE		FROM EQUIPMENT			TO EQUIPMENT			WIRE INFO			
NUMBER	GA	TYP	NUMBER	TERM TT	WD REF	NUMBER	TERM TT	EMC/SEP	FT	NOTE	EFFECTIVITY
212Z			D01433	D8D	31-51-42	SM00006	REF	N2			VA001-VB410 VB421-VE180 VF001-VF011 VF021-VF110 VF161-VF180 VK001-VK180 VL001-VL040 VL701-VL790 VL796-VL805 VL891-VL930 VM999-VN095 VN111-VN173 VN191-VN340 VN371-VN656 VN671-VN960 VN966-VN967 VN971-VN990 VR401-VR401 VR421-VR421 VR426-VR427 VR471-VR471 VS051-VS052 VS066-VS070 VS073-VS073 VS196-VS199 VS246-VS248 VS266-VS268
213	20	UA	D04507J		34-16-11	GDX0004	S.. 2	N2	4		VF251-VF260 VK181-VK190 VL806-VL810 VL871-VL880 VL931-VL945 VN096-VN110 VN174-VN190 VN657-VN670 VN968-VN970 VR461-VR461 VS061-VS061 VS091-VS094 VS111-VS111 VS131-VS132 VS176-VS177 VS186-VS187 VS206-VS207 VS261-VS262
213	20	UA	D04507J		34-16-11	GDX0004	S.. 2	N2	2		VA001-VB410 VB421-VE180 VF001-VF011 VF021-VF110 VF161-VF180 VK001-VK180 VL001-VL040 VL701-VL790 VL796-VL805 VL891-VL930 VM999-VN095 VN111-VN173 VN191-VN340 VN371-VN656 VN671-VN960 VN966-VN967 VN971-VN990 VR401-VR401 VR421-VR421 VR426-VR427 VR471-VR471 VS051-VS052 VS066-VS070 VS073-VS073 VS196-VS199 VS246-VS248 VS266-VS268
213B	24	PW	D00821	35	34-16-11	D04507J	8	N2	4		VF251-VF260 VK181-VK190 VL806-VL810 VL871-VL880 VL931-VL945 VN096-VN110 VN174-VN190 VN657-VN670 VN968-VN970 VR461-VR461 VS061-VS061 VS091-VS094 VS111-VS111 VS131-VS132 VS176-VS177 VS186-VS187 VS206-VS207 VS261-VS262
213B	24	PW	D00821	35	34-16-11	D04507J	8	N2	2		
213R	24	PW	D00821	1	34-16-11	D04507J	9	N2	2		

286T0045-101
Wire Bundle Assembly
Figure 101 (Sheet 137)

25-71-02



BOEING
COMPONENT
MAINTENANCE MANUAL

WIRE			FROM EQUIPMENT			TO EQUIPMENT			WIRE INFO				
NUMBER	GA	TYP	NUMBER	TERM	TT	WD REF	NUMBER	TERM	TT	EMC/ SEP	FT	NOTE	EFFECTIVITY
213Z			D00821	DED		34-16-11	D04507J			N2			VA001-VB410 VB421-VE180 VF001-VF011 VF021-VF110 VF161-VF180 VK001-VK180 VL001-VL040 VL701-VL790 VL796-VL805 VL891-VL930 VM999-VN095 VN111-VN173 VN191-VN340 VN371-VN656 VN671-VN960 VN966-VN967 VN971-VN990 VR401-VR401 VR421-VR421 VR426-VR427 VR471-VR471 VS051-VS052 VS066-VS070 VS073-VS073 VS196-VS199 VS246-VS248 VS266-VS268
214	20	UA	D04349J			34-16-11	GDX0004	S..	2	N2	4		VF251-VF260 VK181-VK190 VL806-VL810 VL871-VL880 VL931-VL945 VN096-VN110 VN174-VN190 VN657-VN670 VN968-VN970 VR461-VR461 VS061-VS061 VS091-VS094 VS111-VS111 VS131-VS132 VS176-VS177 VS186-VS187 VS206-VS207 VS261-VS262
214	20	UA	D04349J			34-16-11	GDX0004	S..	2	N2	2		VA001-VA001 VA021-VA300 VA316-VA500 VA520-VA800 VA811-VB300 VB302-VB370 VB374-VB410 VB421-VE020 VE024-VE100 VE104-VE180 VF001-VF011 VF021-VF110 VF161-VF180 VK001-VK180 VL001-VL040 VL701-VL790 VL796-VL805 VL891-VL930 VM999-VN095 VN111-VN173 VN191-VN340 VN371-VN656 VN671-VN960 VN966-VN967 VN971-VN990 VR401-VR401 VR421-VR421 VR426-VR427 VR471-VR471 VS051-VS052 VS066-VS070 VS073-VS073 VS196-VS199 VS246-VS248 VS266-VS268
214B	24	PW	D00821	37		34-16-11	D04349J	19		N2	4		VA002-VA020 VA301-VA315 VA501-VA519 VA801-VA810 VB301-VB301 VB371-VB373 VE021-VE023 VE101-VE103

286T0045-101
Wire Bundle Assembly
Figure 101 (Sheet 138)

25-71-02



COMPONENT
MAINTENANCE MANUAL

WIRE		FROM EQUIPMENT			TO EQUIPMENT			WIRE INFO			
NUMBER	GA	TYP	NUMBER	TERM TT	WD REF	NUMBER	TERM TT	EMC/SEP	FT	NOTE	EFFECTIVITY
214B	24	PW	D00821	37	34-16-11	D04349J	19	N2	4	MZK-T2	VF251-VF260 VK181-VK190 VL806-VL810 VL871-VL880 VL931-VL945 VN096-VN110 VN174-VN190 VN657-VN670 VN968-VN970 VR461-VR461 VS061-VS061 VS091-VS094 VS111-VS111 VS131-VS132 VS176-VS177 VS186-VS187 VS206-VS207 VS261-VS262
214B	24	PW	D00821	37	34-16-11	D04349J	19	N2	2		VA001-VA001 VA021-VA300 VA316-VA500 VA520-VA800 VA811-VB300 VB302-VB370 VB374-VB410 VB421-VE020 VE024-VE100 VE104-VE180 VF001-VF011 VF021-VF110 VF161-VF180 VF251-VF260 VK001-VK190 VL001-VL040 VL701-VL790 VL796-VL810 VL871-VL880 VL891-VL945 VM999-VN340 VN371-VN960 VN966-VN990 VR401-VR401 VR421-VR421 VR426-VR427 VR461-VR461 VR471-VR471 VS051-VS052 VS061-VS061 VS066-VS070 VS073-VS073 VS091-VS094 VS111-VS111 VS131-VS132 VS176-VS177 VS186-VS187 VS196-VS199 VS206-VS207 VS246-VS248 VS261-VS262 VS266-VS268
214R	24	PW	D00821	3	34-16-11	D04349J	18	N2			VA002-VA020 VA301-VA315 VA501-VA519 VA801-VA810 VB301-VB301 VB371-VB373 VE021-VE023 VE101-VE103
214R	24	PW	D00821	3	34-16-11	D04349J	18	N2		MZK-T2	VA001-VB410 VB421-VE180 VF001-VF011 VF021-VF110 VF161-VF180 VK001-VK180 VL001-VL040 VL701-VL790 VL796-VL805 VL891-VL930 VM999-VN095 VN111-VN173 VN191-VN340 VR371-VN656 VN671-VN960 VN966-VN967 VN971-VN990 VR401-VR401 VR421-VR421 VR426-VR427 VR471-VR471 VS051-VS052 VS066-VS070 VS073-VS073 VS196-VS199 VS246-VS248 VS266-VS268
214Z			D00821	DED	34-16-11	D04349J					

286T0045-101
Wire Bundle Assembly
Figure 101 (Sheet 139)

25-71-02



BOEING
COMPONENT
MAINTENANCE MANUAL

WIRE		FROM EQUIPMENT			TO EQUIPMENT			WIRE INFO			
NUMBER	GA	TYP	NUMBER	TERM TT	WD REF	NUMBER	TERM TT	EMC/SEP	FT	NOTE	EFFECTIVITY
215B	24	PL	D01487	24	31-51-31	D04597J	12	N2	4		VF251-VF260 VK181-VK190 VL806-VL810 VL871-VL880 VL931-VL945 VN096-VN110 VN174-VN190 VN657-VN670 VN968-VN970 VR461-VR461 VS061-VS061 VS091-VS094 VS111-VS111 VS131-VS132 VS176-VS177 VS186-VS187 VS206-VS207 VS261-VS262
215B	24	PL	D01487	24	31-51-31	D04597J	12	N2	2		VA001-VB410 VB421-VE180 VF001-VF011 VF021-VF110 VF161-VF180 VK001-VK180 VL001-VL040 VL701-VL790 VL796-VL805 VL891-VL930 VM999-VN095 VN111-VN173 VN191-VN340 VN371-VN656 VN671-VN960 VN966-VN967 VN971-VN990 VR401-VR401 VR421-VR421 VR426-VR427 VR471-VR471 VS051-VS052 VS066-VS070 VS073-VS073 VS196-VS199 VS246-VS248 VS266-VS268
216B	24	PL	D00817	24	31-51-32	D04303J	12	N2	4		VF251-VF260 VK181-VK190 VL806-VL810 VL871-VL880 VL931-VL945 VN096-VN110 VN174-VN190 VN657-VN670 VN968-VN970 VR461-VR461 VS061-VS061 VS091-VS094 VS111-VS111 VS131-VS132 VS176-VS177 VS186-VS187 VS206-VS207 VS261-VS262
216B	24	PL	D00817	24	31-51-32	D04303J	12	N2	2		VA001-VA001 VA701-VA712 VB001-VB002 VB051-VB055 VB201-VB202 VB281-VB284 VB321-VB322 VB401-VB401 VE041-VE043 VE061-VE068 VE116-VE116
216R	24	PL	D00817	23	31-51-32	D04303J	11	N2			VA002-VA020 VA501-VA519 VA801-VA810 VB301-VB302 VE021-VE023 VE101-VE103
220B	24	PW	D00823	44	27-32-11	SM00002		N2	3		VA001-VA001 VA701-VA712 VB001-VB002 VB051-VB055 VB201-VB202 VB281-VB284 VB321-VB322 VB401-VB401 VE041-VE043 VE061-VE068 VE116-VE116
220B	24	PW	D00823	CAP Y	27-32-11	SM00002		N2	3		VA001-VA001 VA701-VA712 VB001-VB002 VB051-VB055 VB201-VB202 VB281-VB284 VB321-VB322 VB401-VB401 VE041-VE043 VE061-VE068 VE116-VE116

286T0045-101
Wire Bundle Assembly
Figure 101 (Sheet 140)

25-71-02

WIRE		FROM EQUIPMENT			TO EQUIPMENT			WIRE INFO		
NUMBER	GA TYP	NUMBER	TERM TT	WD REF	NUMBER	TERM TT	EMC/SEP	FT	NOTE	EFFECTIVITY
220R	24 PW	D00823	11	27-32-11	SM00001	W	N2			VA002-VA020 VA501-VA519 VA801-VA810 VB301-VB302 VE021-VE023 VE101-VE103
220R	24 PW	D00823	CAP Y	27-32-11	SM00001	W	N2			VA001-VA020 VA501-VA519 VA701-VA712 VA801-VA810 VB001-VB002 VB051-VB055 VB201-VB202 VB281-VE284 VB301-VB301 VB321-VB322 VB401-VB401 VE021-VE023 VE041-VE043 VE061-VE068 VE101-VE103 VE116-VE116
220Z		D00823	DED	27-32-11	SM00001	REF	N2			VB302-VB302
220Z		D00823	DED	27-32-11	SM00002	REF	N2			VA001-VB410 VB421-VE180 VF001-VF011 VF021-VF110 VF161-VF180 VK001-VK180 VL001-VL040 VL701-VL790 VL796-VL805 VL891-VL930 VM999-VN095 VNI11-VNI173 VN191-VN340 VN371-VN656 VN671-VN960 VN966-VN967 VN971-VN990 VR401-VR401 VR421-VR421 VR426-VR427 VR471-VR471 VS051-VS052 VS066-VS070 VS073-VS073 VS196-VS199 VS246-VS248 VS266-VS268
221B	24 PW	D01489	45	31-51-33	SM00004	W	N2	4		VF251-VF260 VK181-VK190 VL806-VL810 VL871-VL880 VL931-VL945 VN096-VN110 VN174-VN190 VM657-VN670 VN968-VN970 VR461-VR461 VS061-VS061 VS091-VS094 VS111-VS111 VS131-VS132 VS176-VS177 VS186-VS187 VS206-VS207 VS261-VS262
221B	24 PW	D01489	45	31-51-33	SM00004	W	N2	1		VA001-VA001 VA701-VA712 VB001-VB002 VB051-VB055 VB201-VB202 VB281-VB284 VB321-VB322 VB401-VB401 VE041-VE043 VE061-VE068 VE116-VE116
221R	24 PW	D01489	11	31-51-33	SM00003	W	N2			
221Z		D01489	DED	31-51-33	SM00003	REF	N2			
222B	24 PW	D01381	44	27-32-21	SM00052	W	N2	2		VA002-VA020 VA501-VA519 VA801-VA810 VB301-VB302 VE021-VE023 VE101-VE103

 286T0045-101
 Wire Bundle Assembly
 Figure 101 (Sheet 141)

25-71-02



BOEING
COMPONENT
MAINTENANCE MANUAL

WIRE		FROM EQUIPMENT			TO EQUIPMENT			WIRE INFO		
NUMBER	GA TYP	NUMBER	TERM TT	WD REF	NUMBER	TERM TT	EMC/SEP	FT	NOTE	EFFECTIVITY
222B	24 PW	D01381	CAP Y	27-32-21	SM00052	W	N2	2		VA001-VA001 VA701-VA712 VB001-VB002 VB051-VB055 VB201-VB202 VB281-VB284 VB321-VB322 VB401-VB401 VE041-VE043 VE061-VE068 VE116-VE116
222R	24 PW	D01381	11	27-32-21	SM00051	W	N2			VA002-VA020 VA501-VA519 VA801-VA810 VB301-VB302 VE021-VE023 VE101-VE103
222R	24 PW	D01381	CAP Y	27-32-21	SM00051	W	N2			VA001-VA020 VA501-VA519 VA701-VA712 VA801-VA810 VB001-VB002 VB051-VB055 VB201-VB202 VB281-VB284 VB301-VB301 VB321-VB322 VB401-VB401 VE021-VE023 VE041-VE043 VE061-VE068 VE101-VE103 VE116-VE116
222Z		D01381	DED	27-32-21	SM00051	REF	N2			VB302-VB302
222Z		D01381	DED	27-32-21	SM00052	REF	N2			VA001-VB410 VB421-VE180 VF001-VF011 VF021-VF110 VF161-VF180 VK001-VK180 VL001-VL040 VL701-VL790 VL796-VL805 VL891-VL930 VM999-VN095 VN111-VN173 VN191-VN340 VN371-VN656 VN671-VN960 VN966-VN967 VN971-VN990 VR401-VR401 VR421-VR421 VR426-VR427 VR471-VR471 VS051-VS052 VS066-VS070 VS073-VS073 VS196-VS199 VS246-VS248 VS266-VS268
223B	24 PW	D00821	38	34-16-11	SM00004	W	N2	3		VF251-VF260 VK181-VK190 VL806-VL810 VL871-VL880 VL931-VL945 VN096-VN110 VN174-VN190 VN657-VN670 VN968-VN970 VR461-VR461 VS061-VS061 VS091-VS094 VS111-VS111 VS131-VS132 VS176-VS177 VS186-VS187 VS206-VS207 VS261-VS262
223B	24 PW	D00821	38	34-16-11	SM00004	W	N2	1		
223R	24 PW	D00821	4	34-16-11	SM00003	W	N2			

286T0045-101
Wire Bundle Assembly
Figure 101 (Sheet 142)

25-71-02

WIRE		FROM EQUIPMENT			TO EQUIPMENT			WIRE INFO			
NUMBER	GA	TYP	NUMBER	TERM TT	WD REF	NUMBER	TERM TT	ENC/SEP	FT	NOTE	EFFECTIVITY
223Z			D00821	DED	34-16-11	SM00003	REF	N2			VA001-VA300 VA316-VE100 VB124-VB370 VB374-VB410 VB421-VE116 VE118-VE180 VF001-VF011 VF021-VF110 VF161-VF180 VK001-VK180 VL001-VL040 VL701-VL790 VL796-VL805 VL891-VL930 VM999-VN095 VN111-VN173 VN191-VN340 VN371-VN656 VN671-VN960 VN966-VN967 VN971-VN990 VR401-VR401 VR421-VR421 VR426-VR427 VR471-VR471 VS051-VS052 VS066-VS070 VS073-VS073 VS196-VS199 VS246-VS248 VS266-VS268
224	20	UA	D04349J		27-32-21	GDX0004	S..	N2	4		VA301-VA315 VB101-VB123 VB371-VB373
224	20	UA	D04349J		27-32-21	GDX0004	S..	N2	4	MZE-F2	VE117-VE117
224	20	UA	D04349J		27-32-21	GDX0004	S..	N2	5	MTD-F2	VF251-VF260 VK181-VK190 VL806-VL810 VL871-VL880 VL931-VL945 VN096-VN110 VN174-VN190 VN657-VN670 VN968-VN970 VR461-VR461 VS061-VS061 VS091-VS094 VS111-VS111 VS131-VS132 VS176-VS177 VS186-VS187 VS206-VS207 VS261-VS262
224	20	UA	D04349J		27-32-21	GDX0004	S..	N2	2		VA001-VA001 VA701-VA712 VB051-VB055 VB201-VB202 VB281-VB284 VB302-VB302 VB321-VB322 VB401-VB401 VE041-VE043 VE061-VE068 VE116-VE116
224B	24	PW	D04349J	28	27-32-21	SM00052	W	N2	3		VA002-VA020 VA501-VA519 VA801-VA810 VB301-VB301 VE021-VE023 VE101-VE103

 286T0045-101
 Wire Bundle Assembly
 Figure 101 (Sheet 143)

25-71-02



BOEING
COMPONENT
MAINTENANCE MANUAL

WIRE			FROM EQUIPMENT			TO EQUIPMENT			WIRE INFO				
NUMBER	GA	TYP	NUMBER	TERM	TT	WD REF	NUMBER	TERM	TT	EMC/SEP	FT	NOTE	EFFECTIVITY
224B	24	PW	D04349J	28		27-32-21	SM00052		W	N2	3	MZK-F2	VA021-VA300 VA316-VA500 VA520-VA700 VA713-VA800 VA811-VA999 VB003-VB050 VB056-VB100 VB124-VB200 VB203-VB250 VB254-VB280 VB285-VB300 VB303-VB320 VB325-VB370 VB374-VB400 VB402-VB410 VB421-VB999 VE003-VE020 VE024-VE040 VE044-VE060 VE069-VE100 VE104-VE115 VE118-VE180 VF001-VF011 VF021-VF110 VF161-VF180 VK001-VK180 VL001-VL040 VL701-VL790 VL796-VL805 VL891-VL930 VM999-VN095 VN111-VN173 VN191-VN340 VN371-VN656 VN671-VN960 VN966-VN967 VN971-VN990 VR401-VR401 VR421-VR421 VR426-VR427 VR471-VR471 VS051-VS052 VS066-VS070 VS073-VS073 VS196-VS199 VS246-VS248 VS266-VS268
224B	24	PW	D04349J	28		27-32-21	D01381	18		N2	3	MLA-F2	VA301-VA315
224B	24	PW	D04349J	28		27-32-21	D01381	18		N2	3	MLA-F2	VB001-VB002
224B	24	PW	D04349J	28		27-32-21	SM00052	W		N2	3	MLA-F2	VB101-VB123 VB371-VB373
224B	24	PW	D04349J	28		27-32-21	D01381	18		N2	6	MOT-F2	VB251-VB253 VB323-VB324 VE001-VE002
224B	24	PW	D04349J	28		27-32-21	D01381	18		N2	3	MLA-F2	VE117-VE117
224B	24	PW	D04349J	28		27-32-21	D01381	18		N2	5	MLA-F2	VF251-VF260 VK181-VK190 VL806-VL810 VL871-VL880 VL931-VL945 VM096-VN110 VN174-VN190 VN657-VN670 VN968-VN970 VR461-VR461 VS061-VS061 VS091-VS094 VS111-VS111 VS131-VS132 VS176-VS177 VS186-VS187 VS206-VS207 VS261-VS262
224B	24	PW	D04349J	28		27-32-21	D01381	18		N2	2		VA001-VA001 VA701-VA712 VB051-VB055 VE201-VB202 VB281-VB284 VB302-VB302 VB321-VB322 VB401-VB401 VE041-VE043 VE061-VE068 VE116-VE116
224R	24	PW	D04349J	27		27-32-21	SM00051	W		N2			VA002-VA020 VA501-VA519 VA801-VA810 VB301-VB301 VE021-VE023 VE101-VE103

286T0045-101
Wire Bundle Assembly
Figure 101 (Sheet 144)

25-71-02

WIRE		FROM EQUIPMENT			TO EQUIPMENT			WIRE INFO			
NUMBER	GA	TYP	NUMBER	TERM TT	WD REF	NUMBER	TERM TT	EMC / SEP	FT	NOTE	EFFECTIVITY
224R	24	PW	D04349J	27	27-32-21	SM00051	W	N2		MZK-F2	VA021-VA300 VA316-VA500 VA520-VA700 VA713-VA800 VA811-VA999 VE003-VE050 VE056-VB100 VB124-VE200 VB203-VB250 VB254-VB280 VB285-VB300 VB303-VE320 VB325-VB370 VB374-VB400 VB402-VB410 VB421-VD999 VE003-VE020 VE024-VE040 VE044-VE060 VE069-VE100 VE104-VE115 VE118-VE180 VF001-VF011 VF021-VF110 VF161-VF180 VF251-VF260 VK001-VK190 VL001-VL040 VL701-VL790 VL796-VL810 VL871-VL880 VL891-VL945 VM999-VN340 VN371-VN960 VN966-VN990 VR401-VR401 VR421-VR421 VR426-VR427 VR461-VR461 VR471-VR471 VS051-VS052 VS061-VS061 VS066-VS070 VS073-VS073 VS091-VS094 VS111-VS111 VS131-VS132 VS176-VS177 VS186-VS187 VS196-VS199 VS206-VS207 VS246-VS248 VS261-VS262 VS266-VS268
224R	24	PW	D04349J	27	27-32-21	D01381	16	N2			VA301-VA315 VB101-VB123 VB371-VB373 VE117-VE117
224R	24	PW	D04349J	27	27-32-21	D01381	16	N2		MLA-F2	VB001-VB002 VB251-VB253 VB323-VB324 VE001-VE002
224R	24	PW	D04349J	27	27-32-21	SM00051	W	N2		MOT-T2	VA001-VA020 VA501-VA519 VA701-VA712 VA801-VA810 VB051-VB055 VB201-VB202 VB281-VB284 VB301-VB301 VB321-VB322 VB401-VB401 VE021-VE023 VE041-VE043 VE061-VE068 VE101-VE103 VE116-VE116
224R	24	PW	D04349J	27	27-32-21	D01381	16	N2			

 286T0045-101
 Wire Bundle Assembly
 Figure 101 (Sheet 145)

25-71-02

 TESTING & TROUBLE SHOOTING
 01 Page 118Z
 Nov 01/02



BOEING
COMPONENT
MAINTENANCE MANUAL

WIRE NUMBER	FROM EQUIPMENT		TO EQUIPMENT		WIRE INFO						
	GA	TYP	NUMBER	TERM TT	WD REF	NUMBER	TERM TT	EMC/SEP	FT	NOTE	EFFECTIVITY
224Z			D04349J		27-32-21	SM00051	REF	N2			VA021-VA300 VA316-VA500 VA520-VA700 VA713-VA800 VA811-VA999 VB003-VB050 VB056-VB100 VB124-VB200 VB203-VB280 VB285-VB300 VB303-VB320 VB323-VB370 VB374-VB400 VB402-VB410 VB421-VE020 VE024-VE040 VE044-VE060 VE069-VE100 VE104-VE115 VE118-VE180 VF001-VF011 VF021-VF110 VF161-VF180 VF251-VF260 VK001-VK190 VL001-VL040 VL701-VL790 VL796-VL810 VL871-VL880 VL891-VL945 VM999-VN340 VN371-VN960 VN966-VN990 VR401-VR401 VR421-VR421 VR426-VR427 VR461-VR461 VR471-VR471 VS051-VS052 VS061-VS061 VS066-VS070 VS073-VS073 VS091-VS094 VS111-VS111 VS131-VS132 VS176-VS177 VS186-VS187 VS196-VS199 VS206-VS207 VS246-VS248 VS261-VS262 VS266-VS268
224Z			D04349J		27-32-21	D01381	DED	N2			VA301-VA315 VB101-VB123 VB371-VB373
224Z			D04349J		27-32-21	D01381	DED	N2		MZF-F2	VB001-VB002
224Z			D04349J		27-32-21	SM00051	REF	N2			VB302-VB302
224Z			D04349J		27-32-21	SM00052	REF	N2			VE117-VE117
224Z			D04349J		27-32-21	D01381	DED	N2		MTE-T2	VA001-VB410 VB421-VE180 VF001-VF011 VF021-VF110 VF161-VF180 VK001-VK180 VL001-VL040 VL701-VL790 VL796-VL805 VL891-VL930 VM999-VN095 VN111-VN173 VN191-VN340 VN371-VN656 VN671-VN960 VN966-VN967 VN971-VN990 VR401-VR401 VR421-VR421 VR426-VR427 VR471-VR471 VS051-VS052 VS066-VS070 VS073-VS073 VS196-VS199 VS246-VS248 VS266-VS268
225B	22	PR	D00811	69	31-51-11	SM00060		N2	3		VF251-VF260 VK181-VK190 VL806-VL810 VL871-VL880 VL931-VL945 VM096-VN110 VN174-VN190 VN657-VN670 VN968-VN970 VR461-VR461 VS111-VS111 VS131-VS132 VS177-VS177 VS186-VS187 VS206-VS207

286T0045-101
Wire Bundle Assembly
Figure 101 (Sheet 146)

25-71-02

WIRE		FROM EQUIPMENT			TO EQUIPMENT			WIRE INFO			
NUMBER	GA	TYP	NUMBER	TERM TT	WD REF	NUMBER	TERM TT	EMC/SEP	FT	NOTE	EFFECTIVITY
225B	22	PR	D00811	69	31-51-11	SM00060	W	N2	2		VS061-VS061 VS091-VS094 VS176-VS176 VS261-VS262
225B	22	PR	D00811	69	31-51-11	SM00060	W	N2	2		VA001-VB410 VB421-VE180 VF001-VF011 VF021-VF110
225R	22	PR	D00811	68	31-51-11	SM00060	W	N2			VF161-VF180 VK001-VK180 VL001-VL040 VL701-VL790
235Z			D00811	DED	31-51-11	SM00028	REF	N2			VL796-VL805 VL891-VL930 VM999-VN095 VN111-VN173
											VN191-VN340 VN371-VN656 VN671-VN960 VN966-VN967
											VN971-VN990 VR401-VR401 VR421-VR421 VR426-VR427
											VR471-VR471 VS051-VS052 VS066-VS070 VS073-VS073
											VS196-VS199 VS246-VS248 VS266-VS268
226B	22	PR	D00813	69	31-51-12	SM00061	W	N2	4		VF251-VF260 VK181-VK190 VL806-VL810 VL871-VL880
											VL931-VL945 VM096-VN110 VN174-VN190 VM657-VN670
											VN968-VN970 VR461-VR461 VS111-VS111 VS131-VS132
											VS177-VS177 VS186-VS187 VS206-VS207
226B	22	PR	D00813	69	31-51-12	SM00061	W	N2	2		VS061-VS061 VS091-VS094 VS176-VS176 VS261-VS262
226B	22	PR	D00813	69	31-51-12	SM00061	W	N2	2		VA001-VB410 VB421-VE180 VF001-VF011 VF021-VF110
226R	22	PR	D00813	68	31-51-12	SM00061	W	N2	2		VF161-VF180 VF251-VF260 VK001-VK190 VL001-VL040
											VL701-VL790 VL796-VL810 VL871-VL880 VL891-VL945
											VM999-VN340 VN371-VN960 VN966-VN990 VR401-VR401
											VR421-VR421 VR426-VR427 VR461-VR461 VR471-VR471
											VS051-VS052 VS066-VS070 VS073-VS073 VS091-VS094
											VS111-VS111 VS131-VS132 VS176-VS177 VS186-VS187
											VS196-VS199 VS206-VS207 VS246-VS248 VS261-VS262
											VS266-VS268
226Z			D00813	DED	31-51-12	SM00030	REF	N2			VS061-VS061

286T0045-101
Wire Bundle Assembly
Figure 101 (Sheet 147)

25-71-02



BOEING
COMPONENT
MAINTENANCE MANUAL

WIRE			FROM EQUIPMENT			TO EQUIPMENT			WIRE INFO		
NUMBER	GA	TYP	NUMBER	TERM TT	WD REF	NUMBER	TERM TT	EMC/SEP	FT	NOTE	EFFECTIVITY
226Z			D00813	DED	31-51-12	SM00061	DED	N2			VA001-VB410 VB421-VE180 VF001-VF011 VF021-VF110 VF161-VF180 VK001-VK180 VL001-VL040 VL701-VL790 VL796-VL805 VL891-VL930 VM999-VN095 VN111-VN173 VN191-VN340 VN371-VN656 VN671-VN960 VN966-VN967 VN971-VN990 VR401-VR401 VR421-VR421 VR426-VR427 VR471-VR471 VS051-VS052 VS066-VS070 VS073-VS073 VS196-VS199 VS246-VS248 VS266-VS268
230	20	UA	D04347J		31-51-33	GDX0003	S..	N2	4		VF251-VF260 VK181-VK190 VL806-VL810 VL871-VL880 VL931-VL945 VN096-VN110 VN174-VN190 VN657-VN670 VN968-VN970 VR461-VR461 VS061-VS061 VS091-VS094 VS111-VS111 VS131-VS132 VS176-VS177 VS186-VS187 VS206-VS207 VS261-VS262
230	20	UA	D04347J		31-51-33	GDX0003	S..	N2	2		VA001-VA001 VA021-VA300 VA316-VA500 VA520-VA800 VA811-VB300 VB302-VB370 VB374-VB410 VB421-VE020 VE024-VE100 VE104-VE180 VF001-VF011 VF021-VF110 VF161-VF180 VK001-VK180 VL001-VL040 VL701-VL790 VL796-VL805 VL891-VL930 VM999-VN095 VN111-VN173 VN191-VN340 VN371-VN656 VN671-VN960 VN966-VN967 VN971-VN990 VR401-VR401 VR421-VR421 VR426-VR427 VR471-VR471 VS051-VS052 VS066-VS070 VS073-VS073 VS196-VS199 VS246-VS248 VS266-VS268
230B	24	PW	D04347J	18	31-51-33	SM00004	W	N2	3		VA002-VA020 VA301-VA315 VA501-VA519 VA801-VA810 VB301-VB301 VB371-VB373 VE021-VE023 VE101-VE103

286T0045-101
Wire Bundle Assembly
Figure 101 (Sheet 148)

25-71-02

WIRE		FROM EQUIPMENT			TO EQUIPMENT			WIRE INFO			
NUMBER	GA	TYP	NUMBER	TERM TT	WD REF	NUMBER	TERM TT	EMC/SEP	FT	NOTE	EFFECTIVITY
230B	24	PW	D04347J	18	31-51-33	SM00004	W	N2	3	MZK-F2	VF251-VF260 VK181-VK190 VL806-VL810 VL871-VL880 VL931-VL945 VN096-VN110 VN174-VN190 VN657-VN670 VN968-VN970 VR461-VR461 VS061-VS061 VS091-VS094 VS111-VS111 VS131-VS132 VS176-VS177 VS186-VS187 VS206-VS207 VS261-VS262
230B	24	PW	D04347J	18	31-51-33	SM00004	W	N2	1		VA001-VA001 VA021-VA300 VA316-VA500 VA520-VA800 VA811-VB300 VB302-VB370 VB374-VB410 VB421-VE020 VE024-VE100 VE104-VE180 VF001-VF011 VF021-VF110 VF161-VF180 VF251-VF260 VK001-VK190 VL001-VL040 VL701-VL790 VL796-VL810 VL871-VL880 VL891-VL945 VM999-VN340 VN371-VN960 VN966-VN990 VR401-VR401 VR421-VR421 VR426-VR427 VR461-VR461 VR471-VR471 VS051-VS052 VS061-VS061 VS066-VS070 VS073-VS073 VS091-VS094 VS111-VS111 VS131-VS132 VS176-VS177 VS186-VS187 VS196-VS199 VS206-VS207 VS246-VS248 VS261-VS262 VS266-VS268
230R	24	PW	D04347J	17	31-51-33	SM00003	W	N2			VA002-VA020 VA301-VA315 VA501-VA519 VA801-VA810 VB301-VB301 VB371-VB373 VE021-VE023 VE101-VE103
230R	24	PW	D04347J	17	31-51-33	SM00003	W	N2		MZK-F2	VE061-VE100 VE116-VE120 VK161-VK170 VN081-VN095 VN111-VN150 VN376-VN380 VN531-VN630 VN821-VN920 VS246-VS248
230Z			D04347J		31-51-33	SM00003	REF	N2			
234	20	UA	D04301J		31-51-34	GDX0001	S..	N2	4		VE061-VE100 VE116-VE120 VK161-VK170 VN081-VN095 VN111-VN150 VN376-VN380 VN531-VN630 VN821-VN920 VS246-VS248
234B	24	PW	D04301J	14	31-51-34	D00907	66	N2	4		VE061-VE100 VE116-VE120 VK161-VK170 VN081-VN095 VN111-VN150 VN376-VN380 VN531-VN630 VN821-VN920 VS246-VS248

 286T0045-101
 Wire Bundle Assembly
 Figure 101 (Sheet 149)

25-71-02

 TESTING & TROUBLE SHOOTING
 01 Page 120B
 Nov 01/02



BOEING
COMPONENT
MAINTENANCE MANUAL

WIRE		FROM EQUIPMENT			TO EQUIPMENT			WIRE INFO		
NUMBER	CA TYP	NUMBER	TERM TT	WD REF	NUMBER	TERM TT	ENC/SEP	FT	NOTE	EFFECTIVITY
234R	24 PW	D04301J	13	31-51-34	D00907	34	N2			VE061-VE100 VE116-VE120 VK161-VK170 VN081-VN095 VN111-VN150 VN376-VN380 VM531-VN630 VN821-VN920 VS246-VS248
234Z		D04301J		31-51-34	D00907	DED	N2			VE061-VE100 VE116-VE120 VK161-VK170 VN081-VN095 VN111-VN150 VN376-VN380 VM531-VN630 VN821-VN920 VS246-VS248
235	20 UA	D04347J		31-51-34	GDX0001	S.. 2	N2	4		VE061-VE100 VE116-VE120 VK161-VK170 VN081-VN095 VN111-VN150 VN376-VN380 VM531-VN630 VN821-VN920 VS246-VS248
235B	24 PW	D04347J	50	31-51-34	D00907	19	N2	4		VE061-VE100 VE116-VE120 VK161-VK170 VN081-VN095 VN111-VN150 VN376-VN380 VM531-VN630 VN821-VN920 VS246-VS248
235R	24 PW	D04347J	49	31-51-34	D00907	20	N2			VE061-VE100 VE116-VE120 VK161-VK170 VN081-VN095 VN111-VN150 VN376-VN380 VM531-VN630 VN821-VN920 VS246-VS248
235Z		D04347J		31-51-34	D00907	DED	N2			VA002-VA020 VA501-VA519 VA801-VA810 VB301-VB302 VE021-VE023 VE101-VE103
236	20 UA	D04347J		27-32-11	GDX0001	S.. 2	N2	3	MNZ-T2	VA021-VA300 VA316-VA500 VA520-VA700 VA713-VA800 VA811-VA999 VB003-VB050 VB056-VB100 VB124-VB200 VB203-VB250 VB254-VB280 VB285-VB300 VB303-VB320 VB325-VB370 VB374-VB400 VB402-VB410 VB421-VD999 VE003-VE020 VE024-VE040 VE044-VE060 VE104-VE115 VE118-VE180 VF001-VF011 VF021-VF100 VF161-VF180 VK001-VK180 VL001-VL040 VL701-VL790 VL796-VL805 VL891-VL930 VM999-VN080 VN111-VN173 VN191-VN340 VN371-VN656 VM711-VN960 VN966-VN967 VN971-VN990 VR401-VR401 VR421-VR421 VR426-VR427 VR471-VR471 VS051-VS052 VS066-VS070 VS073-VS073 VS196-VS199 VS246-VS248 VS266-VS268
236	20 UA	D04347J		27-32-11	GDX0001	S.. 2	N2	3		VA301-VA315 VB101-VB123 VB371-VB373

286T0045-101
Wire Bundle Assembly
Figure 101 (Sheet 150)

25-71-02

WIRE				FROM EQUIPMENT				TO EQUIPMENT				WIRE INFO			
NUMBER	GA	TYP	NUMBER	TERM	TT	WD REF	NUMBER	TERM	TT	EMC / SEP	FT	NOTE	EFFECTIVITY		
236	20	UA	D04347J			27-32-11	GDX0001	S..	2	N2	3	MNZ-T2	VE069-VE100 VN081-VN095		
236	20	UA	D04347J			27-32-11	GDX0003	S..	2	N2	3		VE117-VE117		
236	20	UA	D04347J			27-32-11	GDX0003	S..	2	N2	5	MNX-T2	VF101-VF110		
236	20	UA	D04347J			27-32-11	GDX0001	S..	2	N2	4		VF251-VF260 VK181-VK190 VL806-VL810 VL871-VL880 VL931-VL945 VN174-VN190 VN657-VN670 VN968-VN970 VR461-VR461 VS061-VS061 VS091-VS094 VS111-VS111 VS131-VS132 VS176-VS177 VS206-VS207		
236	20	UA	D04347J			27-32-11	GDX0001	S..	2	N2	2		VN096-VN110 VS186-VS187 VS261-VS262		
236	20	UA	D04347J			27-32-11	GDX0003	S..	2	N2	2		VA002-VA020 VA501-VA519 VA801-VA810 VB301-VB302 VE021-VE023 VE101-VE103		
236B	24	PW	D04347J	37		27-32-11	D00823	54		N2	3	MLA-F2	VA021-VA300 VA316-VA500 VA520-VA700 VA713-VA800 VA811-VA999 VB003-VB050 VB056-VB100 VB124-VB200 VB203-VB250 VB254-VB280 VB285-VB300 VB303-VB320 VB325-VB370 VB374-VB400 VB402-VB410 VB421-VD999 VE003-VE020 VE024-VE040 VE044-VE060 VE069-VE100 VE104-VE115 VE118-VE180 VF001-VF011 VF021-VF110 VF161-VF180 VK001-VK180 VL001-VL040 VL701-VL790 VL796-VL805 VL891-VL930 VM999-VN095 VN111-VN173 VN191-VN340 VN371-VN656 VN671-VN960 VN966-VN967 VN971-VN990 VR401-VR401 VR421-VR421 VR426-VR427 VR471-VR471 VS051-VS052 VS066-VS070 VS073-VS073 VS196-VS199 VS246-VS248 VS266-VS268		
236B	24	PW	D04347J	37		27-32-11	D00823	54		N2	3		VA301-VA315 VB101-VB123 VB371-VB373		
236B	24	PW	D04347J	37		27-32-11	D00823	54		N2	3	MLA-T2	VB251-VB253 VB323-VB324 VE001-VE002		
236B	24	PW	D04347J	37		27-32-11	D00823	54		N2	3	MLA-F2	VE117-VE117		

286T0045-101
Wire Bundle Assembly
Figure 101 (Sheet 151)

25-71-02



BOEING
COMPONENT
MAINTENANCE MANUAL

WIRE		FROM EQUIPMENT		TO EQUIPMENT		WIRE INFO					
NUMBER	GA	TYP	NUMBER	TERM FT	WD REF	NUMBER	TERM FT	EMC/SEP	FT	NOTE	EFFECTIVITY
236B	24	PW	D04347J	37	27-32-11	D00823	54	N2	5	MLA-F2	VF251-VF260 VK181-VK190 VL806-VL810 VL871-VL880 VL931-VL945 VN096-VN110 VN174-VN190 VN657-VN670 VN968-VN970 VR461-VR461 VS061-VS061 VS091-VS094 VS111-VS111 VS131-VS132 VS176-VS177 VS186-VS187 VS206-VS207 VS261-VS262
236B	24	PW	D04347J	37	27-32-11	D00823	54	N2	2		VA002-VA020 VA501-VA519 VA801-VA810 VB301-VB302 VE021-VE023 VE101-VE103
236R	24	PW	D04347J	36	27-32-11	D00823	23	N2		MLA-F2	VA021-VA300 VA316-VA500 VA520-VA700 VA713-VA800 VA811-VA999 VB003-VB050 VB056-VB100 VB124-VB200 VB203-VB250 VB254-VB280 VB285-VB300 VB303-VB320 VB325-VB370 VB374-VB400 VB402-VB410 VB421-VD999 VE003-VE020 VE024-VE040 VE044-VE060 VE069-VE100 VE104-VE115 VE118-VE180 VF001-VF011 VF021-VF110 VF161-VF180 VF251-VF260 VK001-VK190 VL001-VL040 VL701-VL790 VL796-VL810 VL871-VL880 VL891-VL945 VM999-VN340 VN371-VN960 VN966-VN990 VR401-VR401 VR421-VR421 VR426-VR427 VR461-VR461 VR471-VR471 VS051-VS052 VS061-VS061 VS066-VS070 VS073-VS073 VS091-VS094 VS111-VS111 VS131-VS132 VS176-VS177 VS186-VS187 VS196-VS199 VS206-VS207 VS246-VS248 VS261-VS262 VS266-VS268
236R	24	PW	D04347J	36	27-32-11	D00823	23	N2			VA301-VA315 VB101-VB123 VB251-VB253 VB323-VB324 VB371-VB373 VE001-VE002 VE117-VE117
236R	24	PW	D04347J	36	27-32-11	D00823	23	N2		MLA-F2	VA002-VA020 VA301-VA315 VA501-VA519 VA801-VA810 VB101-VB123 VB301-VB302 VB371-VB373 VE021-VE023 VE101-VE103

286T0045-101
Wire Bundle Assembly
Figure 101 (Sheet 152)

25-71-02

WIRE		FROM EQUIPMENT			TO EQUIPMENT			WIRE INFO			
NUMBER	GA	TYP	NUMBER	TERM FT	WD REF	NUMBER	TERM FT	EMC / SEP	FT	NOTE	EFFECTIVITY
236Z			D04347J		27-32-11	D00823	DED	N2		MZA-F2	VA021-VA300 VA316-VA500 VA520-VA700 VA713-VA800 VA811-VA999 VB003-VB050 VB056-VB100 VB124-VB200 VB203-VB250 VB254-VB280 VB285-VB300 VB303-VB320 VB325-VB370 VB374-VB400 VB402-VB410 VB421-VD999 VE003-VE020 VE024-VE040 VE044-VE060 VE069-VE100 VE104-VE115 VE118-VE180 VF001-VF011 VF021-VF110 VF161-VF180 VF251-VF260 VK001-VK190 VL001-VL040 VL701-VL790 VL796-VL810 VL871-VL880 VL891-VL945 VN999-VN340 VN371-VN960 VN966-VN990 VR401-VR401 VR421-VR421 VR426-VR427 VR461-VR461 VR471-VR471 VS051-VS052 VS061-VS061 VS066-VS070 VS073-VS073 VS091-VS094 VS111-VS111 VS131-VS132 VS176-VS177 VS186-VS187 VS196-VS199 VS206-VS207 VS246-VS248 VS261-VS262 VS266-VS268
236Z			D04347J		27-32-11	D00823	DED	N2			VB251-VB253 VB323-VB324 VE001-VE002
236Z			D04347J		27-32-11	D00823	DED	N2		MZA-F2	VE117-VE117
236Z			D04347J		27-32-11	D00823	DED	N2		MTD-F2	VA002-VA020 VA501-VA519 VA801-VA810 VB301-VB302 VE021-VE023 VE101-VE103

286T0045-101
 Wire Bundle Assembly
 Figure 101 (Sheet 153)

25-71-02

TESTING & TROUBLE SHOOTING
 01 Page 120F
 Nov 01/02



BOEING
COMPONENT
MAINTENANCE MANUAL

WIRE			FROM EQUIPMENT			TO EQUIPMENT			WIRE INFO			
NUMBER	GA	TYP	NUMBER	TERM FT	WD REF	NUMBER	TERM FT		EMC/SEP	FT	NOTE	EFFECTIVITY
237B	24	PW	D04347J	40	27-32-11	D00823	13		N2	3	MLA-F2	VA021-VA300 VA316-VA500 VA520-VA700 VA713-VA800 VA811-VA999 VB003-VB050 VB056-VB100 VB124-VB200 VB203-VB250 VB254-VB280 VB285-VB300 VB303-VB320 VB325-VB370 VB374-VB400 VB402-VB410 VB421-VD999 VE003-VE020 VE024-VE040 VE044-VE060 VE069-VE100 VE104-VE115 VE118-VE180 VF001-VF011 VF021-VF110 VF161-VF180 VK001-VK180 VL001-VL040 VL701-VL790 VL796-VL805 VL891-VL930 VM999-VN095 VN111-VN173 VN191-VN340 VN371-VN656 VN671-VN960 VN966-VN967 VN971-VN990 VR401-VR401 VR421-VR421 VR426-VR427 VR471-VR471 VS051-VS052 VS066-VS070 VS073-VS073 VS196-VS199 VS246-VS248 VS266-VS268
237B	24	PW	D04347J	40	27-32-11	D00823	13		N2	3		VA301-VA315 VB101-VB123 VB251-VB253 VB323-VB324 VB371-VB373 VE001-VE002
237B	24	PW	D04347J	40	27-32-11	D00823	13		N2	3	MLA-F2	VE117-VE117
237B	24	PW	D04347J	40	27-32-11	D00823	13		N2	5	MLA-F2	VF251-VF260 VK181-VK190 VL806-VL810 VL871-VL880 VL931-VL945 VN096-VN110 VN174-VN190 VN657-VN670 VN968-VN970 VR461-VR461 VS061-VS061 VS091-VS094 VS111-VS111 VS131-VS132 VS176-VS177 VS186-VS187 VS206-VS207 VS261-VS262
237B	24	PW	D04347J	40	27-32-11	D00823	13		N2	2		VA002-VA020 VA501-VA519 VA801-VA810 VB301-VB302 VE021-VE023 VE101-VE103

286T0045-101
Wire Bundle Assembly
Figure 101 (Sheet 154)

25-71-02

WIRE		FROM EQUIPMENT			TO EQUIPMENT			WIRE INFO					
NUMBER	GA	TYP	NUMBER	TERM	TT	WD REF	NUMBER	TERM	TT	EMC / SEP	FT	NOTE	EFFECTIVITY
237R	24	PW	D04347J	39		27-32-11	D00823	12		N2		MLA-F2	VA021-VA300 VA316-VA500 VA520-VA700 VA713-VA800 VA811-VA999 VB003-VB050 VB056-VB100 VB124-VB200 VB203-VB250 VB254-VB280 VB285-VB300 VB303-VB320 VB325-VB370 VB374-VB400 VB402-VB410 VB421-VD999 VE003-VE020 VE024-VE040 VE044-VE060 VE069-VE100 VE104-VE115 VE118-VE180 VF001-VF011 VF021-VF110 VF161-VF180 VF251-VF260 VK001-VK190 VL001-VL040 VL701-VL790 VL796-VL810 VL871-VL880 VL891-VL945 VM999-VN340 VN371-VN960 VN966-VN990 VR401-VR401 VR421-VR421 VR426-VR427 VR461-VR461 VR471-VR471 VS051-VS052 VS061-VS061 VS066-VS070 VS073-VS073 VS091-VS094 VS111-VS111 VS131-VS132 VS176-VS177 VS186-VS187 VS196-VS199 VS206-VS207 VS246-VS248 VS261-VS262 VS266-VS268
237R	24	PW	D04347J	39		27-32-11	D00823	12		N2			VA301-VA315 VB101-VB123 VB251-VB253 VB323-VB324 VB371-VB373 VE001-VE002 VE117-VE117
237R	24	PW	D04347J	39		27-32-11	D00823	12		N2		MLA-F2	VA002-VA020 VA301-VA315 VA501-VA519 VA801-VA810 VB101-VB123 VB301-VB302 VB371-VB373 VE021-VE023 VE101-VE103

286T0045-101
Wire Bundle Assembly
Figure 101 (Sheet 155)

25-71-02



BOEING
COMPONENT
MAINTENANCE MANUAL

WIRE		FROM EQUIPMENT			TO EQUIPMENT			WIRE INFO		
NUMBER	CA TYP	NUMBER	TERM TT	WD REF	NUMBER	TERM TT	EMC / SEP	FT	NOTE	EFFECTIVITY
237Z		D04347J		27-32-11	D00823	DED	N2		MZA-F2	VA021-VA300 VA316-VA500 VA520-VA700 VA713-VA800 VA811-VA999 VB003-VB050 VB056-VB100 VB124-VB200 VB203-VB250 VB254-VB280 VB285-VB300 VB303-VB320 VB325-VB370 VB374-VB400 VB402-VB410 VB421-VB999 VE003-VE020 VE024-VE040 VE044-VE060 VE069-VE100 VE104-VE115 VE118-VE180 VF001-VF011 VF021-VF110 VF161-VF180 VF251-VF260 VK001-VK190 VL001-VL040 VL701-VL790 VL796-VL810 VL871-VL880 VL891-VL945 VM999-VN340 VN371-VN960 VN966-VN990 VR401-VR401 VR421-VR421 VR426-VR427 VR461-VR461 VR471-VR471 VS051-VS052 VS061-VS061 VS066-VS070 VS073-VS073 VS091-VS094 VS111-VS111 VS131-VS132 VS176-VS177 VS186-VS187 VS196-VS199 VS206-VS207 VS246-VS248 VS261-VS262 VS266-VS268
237Z		D04347J		27-32-11	D00823	DED	N2			VB251-VB253 VB323-VB324 VE001-VE002
237Z		D04347J		27-32-11	D00823	DED	N2		MTE-T2	VE117-VE117
237Z		D04347J		27-32-11	D00823	DED	N2		MTE-T2	VA002-VA020 VA301-VA315 VA501-VA519 VA801-VA810 VB101-VB123 VB301-VB302 VB371-VB373 VE021-VE023 VE101-VE103

286T0045-101
Wire Bundle Assembly
Figure 101 (Sheet 156)

25-71-02

WIRE			FROM EQUIPMENT			TO EQUIPMENT			WIRE INFO			
NUMBER	GA	TYP	NUMBER	TERM	FT	WD REF	NUMBER	TERM	FT	EMC / SEP	NOTE	EFFECTIVITY
238	20	UA	D04349J			27-32-21	GDX0001	S..	2	N2	MINZ-T2	VA021-VA300 VA316-VA500 VA520-VA700 VA713-VA800 VA811-VA999 VB003-VB050 VB056-VB100 VB124-VB200 VB203-VB250 VB254-VB280 VB285-VB300 VB303-VB320 VB325-VB370 VB374-VB400 VB402-VB410 VB421-VD999 VE003-VE020 VE024-VE040 VE044-VE060 VE104-VE115 VE118-VE170 VF001-VF011 VF021-VF100 VF161-VF180 VK001-VK180 VL001-VL040 VL701-VL790 VL796-VL805 VL891-VL930 VM999-VN080 VN111-VN173 VN191-VN340 VN371-VN656 VN671-VN960 VN966-VN967 VN971-VN990 VR401-VR401 VR421-VR421 VR426-VR427 VR471-VR471 VS051-VS052 VS066-VS070 VS073-VS073 VS196-VS199 VS246-VS248 VS266-VS268
238	20	UA	D04349J			27-32-21	GDX0001	S..	2	N2		VB251-VB253 VB323-VB324 VE001-VE002
238	20	UA	D04349J			27-32-21	GDX0001	S..	2	N2	MINX-T2	VE069-VE085 VE171-VE180 VN081-VN085
238	20	UA	D04349J			27-32-21	GDX0003	S..	2	N2		VE086-VE100 VN086-VN095
238	20	UA	D04349J			27-32-21	GDX0004	S..	2	N2		VE117-VE117
238	20	UA	D04349J			27-32-21	GDX0001	S..	2	N2	MINX-T2	VF101-VF110
238	20	UA	D04349J			27-32-21	GDX0001	S..	2	N2		VF251-VF260 VK181-VK190 VL806-VL810 VL871-VL880 VL931-VL945 VN174-VN190 VN657-VN670 VN968-VN970 VR461-VR461 VS061-VS061 VS091-VS094 VS111-VS111 VS131-VS132 VS176-VS177 VS206-VS207 VS261-VS262
238	20	UA	D04349J			27-32-21	GDX0001	S..	2	N2		VN096-VN110 VS186-VS187
238	20	UA	D04349J			27-32-21	GDX0004	S..	2	N2		VA002-VA020 VA501-VA519 VA801-VA810 VB301-VB302 VE021-VE023 VE101-VE103

286T0045-101
Wire Bundle Assembly
Figure 101 (Sheet 157)

25-71-02



BOEING
COMPONENT
MAINTENANCE MANUAL

WIRE		FROM EQUIPMENT			TO EQUIPMENT			WIRE INFO			
NUMBER	GA	TYP	NUMBER	TERM TT	WD REF	NUMBER	TERM TT	EMC/SEP	FT	NOTE	EFFECTIVITY
238B	24	PW	D04349J	49	27-32-21	D01381	54	N2	3	MLA-F2	VA021-VA300 VA316-VA500 VA520-VA700 VA713-VA800 VA811-VA999 VB003-VB050 VB056-VB100 VB124-VB200 VB203-VB250 VB254-VB280 VB285-VB300 VB303-VB320 VB325-VB370 VB374-VB400 VB402-VB410 VB421-VB999 VE003-VE020 VE024-VE040 VE044-VE060 VE069-VE100 VE104-VE115 VE118-VE180 VF001-VF011 VF021-VF110 VF161-VF180 VK001-VK180 VL001-VL040 VL701-VL790 VL796-VL805 VL891-VL930 VM999-VN095 VN111-VN173 VN191-VN340 VN371-VN656 VN671-VN960 VN966-VN967 VN971-VN990 VR401-VR401 VR421-VR421 VR426-VR427 VR471-VR471 VS051-VS052 VS066-VS070 VS073-VS073 VS196-VS199 VS246-VS248 VS266-VS268
238B	24	PW	D04349J	49	27-32-21	D01381	54	N2	3		VA301-VA315 VB101-VB123 VB251-VB253 VB323-VB324 VB371-VB373 VE001-VE002
238B	24	PW	D04349J	49	27-32-21	D01381	54	N2	3	MLA-F2	VE117-VE117
238B	24	PW	D04349J	49	27-32-21	D01381	54	N2	5	MLA-F2	VF251-VF360 VK181-VK190 VL806-VL810 VL871-VL880 VL931-VL945 VN096-VN110 VN174-VN190 VN657-VN670 VN968-VN970 VR461-VR461 VS061-VS061 VS091-VS094 VS111-VS111 VS131-VS132 VS176-VS177 VS186-VS187 VS206-VS207 VS261-VS262
238B	24	PW	D04349J	49	27-32-21	D01381	54	N2	2		VA002-VA020 VA501-VA519 VA801-VA810 VB301-VB302 VE021-VE023 VE101-VE103

286T0045-101
Wire Bundle Assembly
Figure 101 (Sheet 158)

25-71-02

WIRE			FROM EQUIPMENT			TO EQUIPMENT			WIRE INFO				
NUMBER	GA	TYP	NUMBER	TERM	TT	WD REF	NUMBER	TERM	TT	EMC/ SEP	FT	NOTE	EFFECTIVITY
238R	24	PW	D04349J	48		27-32-21	D01381	23		N2		MLA-F2	VA021-VA300 VA316-VA500 VA520-VA700 VA713-VA800 VA811-VA999 VB003-VB050 VB056-VB100 VB124-VB200 VB203-VB250 VB254-VB280 VB285-VB300 VB303-VB320 VB325-VB370 VB374-VB400 VB402-VB410 VB421-VD999 VE003-VE020 VE024-VE040 VE044-VE060 VE069-VE100 VE104-VE115 VE118-VE180 VF001-VF011 VF021-VF110 VF161-VF180 VF251-VF260 VK001-VK190 VL001-VL040 VL701-VL790 VL796-VL810 VL871-VL880 VL891-VL945 VM999-VN340 VN371-VN960 VN966-VN990 VR401-VR401 VR421-VR421 VR426-VR427 VR461-VR461 VR471-VR471 VS051-VS052 VS061-VS061 VS066-VS070 VS073-VS073 VS091-VS094 VS111-VS111 VS131-VS132 VS176-VS177 VS186-VS187 VS196-VS199 VS206-VS207 VS246-VS248 VS261-VS262 VS266-VS268
238R	24	PW	D04349J	48		27-32-21	D01381	23		N2			VA301-VA315 VB101-VB123 VB251-VB253 VB323-VB324 VB371-VB373 VE001-VE002 VE117-VE117
238R	24	PW	D04349J	48		27-32-21	D01381	23		N2		MLA-F2	VA002-VA020 VA301-VA315 VA501-VA519 VA801-VA810 VB101-VB123 VB301-VB302 VB371-VB373 VE021-VE023 VE101-VE103

286T0045-101
Wire Bundle Assembly
Figure 101 (Sheet 159)

25-71-02



BOEING
COMPONENT
MAINTENANCE MANUAL

WIRE		FROM EQUIPMENT		TO EQUIPMENT		WIRE INFO				
NUMBER	GA TYP	NUMBER	TERM TT	WD REF	NUMBER	TERM TT	EMC/SEP	FT	NOTE	EFFECTIVITY
238Z		D04349J		27-32-21	D01381	DED	N2		MZA-F2	VA021-VA300 VA316-VA500 VA520-VA700 VA713-VA800 VA811-VA999 VB003-VB050 VB056-VB100 VB124-VB200 VB203-VB250 VB254-VB280 VB285-VB300 VB303-VB320 VB325-VB370 VB374-VB400 VB402-VB410 VB421-VB999 VE003-VE020 VE024-VE040 VE044-VE060 VE069-VE100 VE104-VE115 VE118-VE180 VF001-VF011 VF021-VF110 VF161-VF180 VF251-VF260 VK001-VK190 VL001-VL040 VL701-VL790 VL796-VL810 VL871-VL880 VL891-VL945 VM999-VN340 VN371-VN960 VN966-VN990 VR401-VR401 VR421-VR421 VR426-VR427 VR461-VR461 VR471-VR471 VS051-VS052 VS061-VS061 VS066-VS070 VS073-VS073 VS091-VS094 VS111-VS111 VS131-VS132 VS176-VS177 VS186-VS187 VS196-VS199 VS206-VS207 VS246-VS248 VS261-VS262 VS266-VS268
238Z		D04349J		27-32-21	D01381	DED	N2		MZA-F2	VB251-VB253 VB323-VB324 VE001-VE002
238Z		D04349J		27-32-21	D01381	DED	N2		MZA-F2	VE117-VE117
239	20 VA	D04349J		27-32-21	GDX0001	S..	N2	3	MTD-F2 ZSZ-B6	VA301-VA315 VA002-VA020 VA501-VA519 VA801-VA810 VB301-VB302 VE021-VE023 VE101-VE103

286T0045-101
Wire Bundle Assembly
Figure 101 (Sheet 160)

25-71-02

WIRE		FROM EQUIPMENT			TO EQUIPMENT			WIRE INFO					
NUMBER	GA	TYP	NUMBER	TERM	TT	WD REF	NUMBER	TERM	TT	EMC / SEP	FT	NOTE	EFFECTIVITY
239B	24	PW	D01381	20		27-32-21	D04349J	55		N2	3	MLA-T2	VA021-VA300 VA316-VA500 VA520-VA700 VA713-VA800 VA811-VA999 VB003-VB050 VB056-VB100 VB124-VB200 VB203-VB250 VB254-VB280 VB285-VB300 VB303-VB320 VB325-VB370 VB374-VB400 VB402-VB410 VB421-VB999 VE003-VE020 VE024-VE040 VE044-VE060 VE069-VE100 VE104-VE115 VE118-VE180 VF001-VF011 VF021-VF110 VF161-VF180 VK001-VK180 VL001-VL040 VL701-VL790 VL796-VL805 VL891-VL930 VM999-VN095 VN111-VN173 VN191-VN340 VN371-VN656 VN671-VN960 VN966-VN967 VN971-VN990 VR401-VR401 VR421-VR421 VR426-VR427 VR471-VR471 VS051-VS052 VS066-VS070 VS073-VS073 VS196-VS199 VS246-VS248 VS266-VS268
239B	24	PW	D01381	20		27-32-21	D04349J	55		N2	3		VA301-VA315
239B	22	PR	D01381	20		27-32-21	D04349J	55		N2	3	ZSZ-B6	VB251-VB253 VB323-VB324 VE001-VE002
239B	24	PW	D01381	20		27-32-21	D04349J	55		N2	3	MLA-T2	VE117-VE117
239B	24	PW	D01381	20		27-32-21	D04349J	55		N2	5	MOT-F2	VF251-VF260 VK181-VK190 VL806-VL810 VL871-VL880 VL931-VL945 VN096-VN110 VN174-VN190 VN657-VN670 VN968-VN970 VR461-VR461 VS061-VS061 VS091-VS094 VS111-VS111 VS131-VS132 VS176-VS177 VS186-VS187 VS206-VS207 VS261-VS262
239B	24	PW	D01381	20		27-32-21	D04349J	55		N2	2		VA002-VA020 VA501-VA519 VA801-VA810 VB301-VB302 VE021-VE023 VE101-VE103

286T0045-101
Wire Bundle Assembly
Figure 101 (Sheet 161)

25-71-02

TESTING & TROUBLE SHOOTING
01 Page 120N
Nov 01/02



BOEING
COMPONENT
MAINTENANCE MANUAL

WIRE		FROM EQUIPMENT			TO EQUIPMENT			WIRE INFO					
NUMBER	GA	TYP	NUMBER	TERM	TT	WD REF	NUMBER	TERM	TT	EMC/SEP	FT	NOTE	EFFECTIVITY
239R	24	PW	D01381	19		27-32-21	D04349J	54		N2		MLA-T2	VA021-VA300 VA316-VA500 VA520-VA700 VA713-VA800 VA811-VA999 VB003-VB050 VB056-VB100 VB124-VB200 VB203-VB250 VB254-VB280 VB285-VB300 VB303-VB320 VB325-VB370 VB374-VB400 VB402-VB410 VB421-VB999 VE003-VE020 VE024-VE040 VE044-VE060 VE069-VE100 VE104-VE115 VE118-VE180 VF001-VF011 VF021-VF110 VF161-VF180 VF251-VF260 VK001-VK190 VL001-VL040 VL701-VL790 VL796-VL810 VL871-VL880 VL891-VL945 VM999-VN340 VN371-VN960 VN966-VN990 VR401-VR401 VR421-VR421 VR426-VR427 VR461-VR461 VR471-VR471 VS051-VS052 VS061-VS061 VS066-VS070 VS073-VS073 VS091-VS094 VS111-VS111 VS131-VS132 VS176-VS177 VS186-VS187 VS196-VS199 VS206-VS207 VS246-VS248 VS261-VS262 VS266-VS268
239R	24	PW	D01381	19		27-32-21	D04349J	54		N2			VA301-VA315
239R	22	PR	D01381	19		27-32-21	D04349J	54		N2		ZSZ-B6	VB251-VB253 VB323-VB324 VE001-VE002
239R	24	PW	D01381	19		27-32-21	D04349J	54		N2		MLA-T2	VE117-VE117
239R	24	PW	D01381	19		27-32-21	D04349J	54		N2		MOT-F2	VA002-VA020 VA501-VA519 VA801-VA810 VB301-VB302 VE021-VE023 VE101-VE103

286T0045-101
Wire Bundle Assembly
Figure 101 (Sheet 162)

25-71-02

WIRE		FROM EQUIPMENT		TO EQUIPMENT		WIRE INFO	
NUMBER	GA	NUMBER	TERM TT	WD REF	NUMBER	TERM TT	EMC/SEP
239Z		D01381	DED	27-32-21	D04349J		N2
							MZA-F2
							VA021-VA300 VA316-VA500 VA520-VA700 VA713-VA800
							VA811-VA999 VB003-VB050 VB056-VB100 VB124-VB200
							VB203-VB250 VB254-VB280 VB285-VB300 VB303-VB320
							VB325-VB370 VB374-VB400 VB402-VB410 VB421-VD999
							VE003-VE020 VE024-VE040 VE044-VE060 VE069-VE100
							VE104-VE115 VE118-VE180 VE001-VF011 VF021-VF110
							VF161-VF180 VF251-VF260 VK001-VK010 VL001-VL040
							VL701-VL790 VL796-VL810 VL871-VL880 VL891-VL945
							VM999-VN340 VN371-VN960 VN966-VN990 VR401-VR401
							VR421-VR421 VR426-VR427 VR461-VR461 VR471-VR471
							VS051-VS052 VS061-VS061 VS066-VS070 VS073-VS073
							VS091-VS094 VS111-VS111 VS131-VS132 VS176-VS177
							VS186-VS187 VS196-VS199 VS206-VS207 VS246-VS248
							VS261-VS262 VS266-VS268
239Z		D01381	DED	27-32-21	D04349J		N2
239Z		D01381	DED	27-32-21	D04349J		ZSZ-B6
239Z		D01381	DED	27-32-21	D04349J		MTC-T2
239Z		D01381	DED	27-32-21	D04349J		MTE-F2
							VA301-VA315
							VB251-VB253 VB323-VB324 VE001-VE002
							VE117-VE117
							VA001-VA001 VA021-VA300 VA316-VA500 VA520-VA800
							VA811-VB123 VB126-VB300 VB302-VB410 VB421-VE020
							VE024-VE100 VE104-VE120 VE123-VE180 VF001-VF011
							VF021-VF110 VF161-VF180 VK001-VK180 VL001-VL040
							VL701-VL790 VL796-VL805 VL891-VL930 VM999-VN095
							VN111-VN173 VN191-VN340 VN371-VN656 VN671-VN960
							VN966-VN967 VN971-VN990 VR401-VR401 VR421-VR421
							VR426-VR427 VR471-VR471 VS051-VS052 VS066-VS070
							VS073-VS073 VS196-VS199 VS246-VS248 VS266-VS268
240B	24	PL D04347J	23	31-51-31	SM00080	W	N2 3
							VA002-VA020 VA501-VA519 VA801-VA810 VB301-VB301
							VE021-VE023 VE101-VE103

286T0045-101
Wire Bundle Assembly
Figure 101 (Sheet 163)

25-71-02



BOEING
COMPONENT
MAINTENANCE MANUAL

WIRE		FROM EQUIPMENT			TO EQUIPMENT			WIRE INFO					
NUMBER	GA	TYP	NUMBER	TERM	TT	WD REF	NUMBER	TERM	TT	EMC / SEP	FT	NOTE	EFFECTIVITY
240B	24	PL	D04347J	23		31-51-31	SM000080			N2	3	MZK-F2	VF251-VF260 VK181-VK190 VL806-VL810 VL871-VL880 VL931-VL945 VN096-VN110 VN174-VN190 VN657-VN670 VN968-VN970 VR461-VR461 VS061-VS061 VS091-VS094 VS111-VS111 VS131-VS132 VS176-VS177 VS186-VS187 VS206-VS207 VS261-VS262
240B	24	PL	D04347J	23		31-51-31	SM000080			N2	1		VA001-VA001 VA021-VA300 VA316-VA500 VA520-VA800 VA811-VB123 VB126-VB300 VB302-VB410 VB421-VE020 VE024-VE100 VE104-VE120 VE123-VE180 VF001-VF011 VF021-VF110 VF161-VF180 VF251-VF260 VK001-VK190 VL001-VL040 VL701-VL790 VL796-VL810 VL871-VL880 VL891-VL945 VM999-VN340 VN371-VN960 VM966-VN990 VR401-VR401 VR421-VR421 VR426-VR427 VR461-VR461 VR471-VR471 VS051-VS052 VS061-VS061 VS066-VS070 VS073-VS073 VS091-VS094 VS111-VS111 VS131-VS132 VS176-VS177 VS186-VS187 VS196-VS199 VS206-VS207 VS246-VS248 VS261-VS262 VS266-VS268
240R	24	PL	D04347J	22		31-51-31	SM000042			N2			VA002-VA020 VA501-VA519 VA801-VA810 VB301-VB301 VE021-VE023 VE101-VE103
240R	24	PL	D04347J	22		31-51-31	SM000042			N2		MZK-F2	VA001-VA300 VA316-VB123 VB126-VB410 VB421-VE082 VE085-VE120 VE123-VE180 VF001-VF011 VF021-VF110 VF161-VF180 VK001-VK180 VL001-VL040 VL701-VL790 VL796-VL805 VL891-VL930 VM999-VN095 VN111-VN173 VN191-VN340 VN371-VN656 VN671-VN960 VN966-VN967 VN971-VN990 VR401-VR401 VR421-VR421 VR426-VR427 VR471-VR471 VS051-VS052 VS066-VS070 VS073-VS073 VS196-VS199 VS246-VS248 VS266-VS268
241B	24	PL	D01487	60		31-51-31	SM000080			N2	3		VE083-VE084

286T0045-101
Wire Bundle Assembly
Figure 101 (Sheet 164)

25-71-02

WIRE			FROM EQUIPMENT			TO EQUIPMENT			WIRE INFO		
NUMBER	GA	TYP	NUMBER	TERM TT	WD REF	NUMBER	TERM TT	EMC / SEP	FT	NOTE	EFFECTIVITY
241B	24	PL	D01487	60	31-51-31	SM000080	W	N2	3	ZSZ-B6	VF251-VF260 VK181-VK190 VL806-VL810 VL871-VL880 VL931-VL945 VN096-VN110 VN174-VN190 VM657-VM670 VN968-VN970 VR461-VR461 VS061-VS061 VS091-VS094 VS111-VS111 VS131-VS132 VS176-VS177 VS186-VS187 VS206-VS207 VS261-VS262
241B	24	PL	D01487	60	31-51-31	SM000080	W	N2	1		VA001-VA300 VA316-VB123 VB126-VB410 VB421-VE082 VE085-VE120 VE123-VE180 VF001-VF011 VF021-VF110 VF161-VF180 VF251-VF260 VK001-VK190 VL001-VL040 VL701-VL790 VL796-VL810 VL871-VL880 VL891-VL945 VM999-VN340 VN371-VN960 VN966-VN990 VR401-VR401 VR421-VR421 VR426-VR427 VR461-VR461 VR471-VR471 VS051-VS052 VS061-VS061 VS066-VS070 VS073-VS073 VS091-VS094 VS111-VS111 VS131-VS132 VS176-VS177 VS186-VS187 VS196-VS199 VS206-VS207 VS246-VS248 VS261-VS262 VS266-VS268
241R	24	PL	D01487	28	31-51-31	SM000042	W	N2			VE083-VE084
241R	24	PL	D01487	28	31-51-31	SM000042	W	N2		ZSZ-B6	VA001-VA300 VA316-VB123 VB126-VB410 VB421-VE082 VE085-VE120 VE123-VE180 VF001-VF011 VF021-VF110 VF161-VF180 VK001-VK180 VL001-VL040 VL701-VL790 VL796-VL805 VL891-VL930 VM999-VN095 VN111-VN173 VN191-VN340 VN371-VN656 VN671-VN960 VN966-VN967 VN971-VN990 VR401-VR401 VR421-VR421 VR426-VR427 VR471-VR471 VS051-VS052 VS066-VS070 VS073-VS073 VS196-VS199 VS246-VS248 VS266-VS268
242B	24	PL	D00817	60	31-51-32	SM000080	W	N2	3		VE083-VE084

 286T0045-101
 Wire Bundle Assembly
 Figure 101 (Sheet 165)

25-71-02

 TESTING & TROUBLE SHOOTING
 01 Page 120R
 Nov 01/02



BOEING
COMPONENT
MAINTENANCE MANUAL

WIRE				FROM EQUIPMENT				TO EQUIPMENT				WIRE INFO			
NUMBER	GA	TYP	PL	NUMBER	TERM	FT	WD REF	NUMBER	TERM	FT	EMC/SEP	FT	NOTE	EFFECTIVITY	
242B	24	PL	D00817	60			31-51-32	SM00080	W	N2	3	ZSZ-B6	VF251-VF260 VK181-VK190 VL806-VL810 VL871-VL880 VL931-VL945 VN096-VN110 VN174-VN190 VN657-VN670 VN968-VN970 VR461-VR461 VS061-VS061 VS091-VS094 VS111-VS111 VS131-VS132 VS176-VS177 VS186-VS187 VS206-VS207 VS261-VS262		
242B	24	PL	D00817	60			31-51-32	SM00080	W	N2	1		VA001-VA300 VA316-VB123 VB126-VB410 VB421-VE082 VE085-VE120 VE123-VE180 VF001-VF011 VF021-VF110 VF161-VF180 VF251-VF260 VK001-VK190 VL001-VL040 VL701-VL790 VL796-VL810 VL871-VL880 VL891-VL945 VM999-VN340 VN371-VN960 VN966-VN990 VR401-VR401 VR421-VR421 VR426-VR427 VR461-VR461 VR471-VR471 VS051-VS052 VS061-VS061 VS066-VS070 VS073-VS073 VS091-VS094 VS111-VS111 VS131-VS132 VS176-VS177 VS186-VS187 VS196-VS199 VS206-VS207 VS246-VS248 VS261-VS262 VS266-VS268		
242R	24	PL	D00817	28			31-51-32	SM00042	W	N2			VE083-VE084		
242R	24	PL	D00817	28			31-51-32	SM00042	W	N2		ZSZ-B6	VA002-VA020 VA501-VA519 VA801-VA810 VB301-VB302 VE021-VE023 VE101-VE103		

286T0045-101
Wire Bundle Assembly
Figure 101 (Sheet 166)

25-71-02



COMPONENT
MAINTENANCE MANUAL

WIRE		FROM EQUIPMENT		TO EQUIPMENT		WIRE INFO					
NUMBER	GA	TYP	NUMBER	TERM TT	WD REF	NUMBER	TERM TT	EMC/SEP	FT	NOTE	EFFECTIVITY
243B	24	PW	D04349J	52	27-32-21	D01381	13	N2	3	MLA-F2	VA021-VA300 VA316-VA500 VA520-VA700 VA713-VA800 VA811-VA999 VB003-VB050 VB056-VB100 VB124-VB200 VB203-VB250 VB254-VB280 VB285-VB300 VB303-VB320 VB325-VB370 VB374-VB400 VB402-VB410 VB421-VD999 VE003-VE020 VE024-VE040 VE044-VE060 VE069-VE100 VE104-VE115 VE118-VE180 VF001-VF011 VF021-VF110 VF161-VF180 VK001-VK180 VL001-VL040 VL701-VL790 VL796-VL805 VL891-VL930 VM999-VN095 VN111-VN173 VN191-VN340 VN371-VN656 VN671-VN960 VN966-VN967 VN971-VN990 VR401-VR401 VR421-VR421 VR426-VR427 VR471-VR471 VS051-VS052 VS066-VS070 VS073-VS073 VS196-VS199 VS246-VS248 VS266-VS268
243B	24	PW	D04349J	52	27-32-21	D01381	13	N2	3	MLA-F2	VA301-VA315 VB101-VB123 VB251-VB253 VB323-VB324 VB371-VB373 VE001-VE002
243B	24	PW	D04349J	52	27-32-21	D01381	13	N2	3	MLA-F2	VE117-VE117
243B	24	PW	D04349J	52	27-32-21	D01381	13	N2	5	MLA-F2	VF251-VF260 VK181-VK190 VL806-VL810 VL871-VL880 VL931-VL945 VN096-VN110 VN174-VN190 VN657-VN670 VN968-VN970 VR461-VR461 VS061-VS061 VS091-VS094 VS111-VS111 VS131-VS132 VS176-VS177 VS186-VS187 VS206-VS207 VS261-VS262
243B	24	PW	D04349J	52	27-32-21	D01381	13	N2	2		VA002-VA020 VA501-VA519 VA801-VA810 VB301-VB302 VE021-VE023 VE101-VE103

286T0045-101
Wire Bundle Assembly
Figure 101 (Sheet 167)

25-71-02



BOEING
COMPONENT
MAINTENANCE MANUAL

WIRE			FROM EQUIPMENT			TO EQUIPMENT			WIRE INFO		
NUMBER	GA	TYP	NUMBER	TERM TT	WD REF	NUMBER	TERM TT	EMC/SEP	FT	NOTE	EFFECTIVITY
243R	24	PW	D04349J	51	27-32-21	D01381	12	N2		MLA-F2	VA021-VA300 VA316-VA500 VA520-VA700 VA713-VA800 VA811-VA999 VB003-VB050 VB056-VB100 VB124-VB200 VB203-VB250 VB254-VB280 VB285-VB300 VB303-VB320 VB325-VB370 VB374-VB400 VB402-VB410 VB421-VB999 VE003-VE020 VE024-VE040 VE044-VE060 VE069-VE100 VE104-VE115 VE118-VE180 VF001-VF011 VF021-VF110 VF161-VF180 VF251-VF260 VK001-VK190 VL001-VL040 VL701-VL790 VL796-VL810 VL871-VL880 VL891-VL945 VM999-VN340 VN371-VN960 VN966-VN990 VR401-VR401 VR421-VR421 VR426-VR427 VR461-VR461 VR471-VR471 VS051-VS052 VS061-VS061 VS066-VS070 VS073-VS073 VS091-VS094 VS111-VS111 VS131-VS132 VS176-VS177 VS186-VS187 VS196-VS199 VS206-VS207 VS246-VS248 VS261-VS262 VS266-VS268
243R	24	PW	D04349J	51	27-32-21	D01381	12	N2			VA301-VA315 VB101-VB123 VB251-VB253 VB323-VB324 VB371-VB373 VE001-VE002 VE117-VE117
243R	24	PW	D04349J	51	27-32-21	D01381	12	N2		MLA-F2	VA002-VA020 VA301-VA315 VA501-VA519 VA801-VA810 VB101-VB123 VB301-VB302 VB371-VB373 VE021-VE023 VE101-VE103

286T0045-101
Wire Bundle Assembly
Figure 101 (Sheet 168)

25-71-02

WIRE			FROM EQUIPMENT			TO EQUIPMENT			WIRE INFO		
NUMBER	GA	TYP	FROM NUMBER	TERM TT	WD REF	NUMBER	TERM TT	EMC/SEP	FT	NOTE	EFFECTIVITY
243Z			D04349J		27-32-21	D01381	DED	N2		MZA-F2	VA021-VA300 VA316-VA500 VA520-VA700 VA713-VA800 VA811-VA999 VB003-VB050 VB056-VB100 VB124-VB200 VB203-VB250 VB254-VB280 VB285-VB300 VB303-VB320 VB325-VB370 VB374-VB400 VB402-VB410 VB421-VB999 VE003-VE020 VE024-VE040 VE044-VE060 VE069-VE100 VE104-VE115 VE118-VE180 VF001-VF011 VF021-VF110 VF161-VF180 VF251-VF260 VK001-VK190 VL001-VL040 VL701-VL790 VL796-VL810 VL871-VL880 VL891-VL945 VM999-VN340 VN371-VN960 VN966-VN990 VR401-VR401 VR421-VR421 VR426-VR427 VR461-VR461 VR471-VR471 VS051-VS052 VS061-VS061 VS066-VS070 VS073-VS073 VS091-VS094 VS111-VS111 VS131-VS132 VS176-VS177 VS186-VS187 VS196-VS199 VS206-VS207 VS246-VS248 VS261-VS262 VS266-VS268
243Z			D04349J		27-32-21	D01381	DED	N2		MZA-F2	VB251-VB253 VB323-VB324 VE001-VE002
243Z			D04349J		27-32-21	D01381	DED	N2		MZA-F2	VE117-VE117
245	UA		D04347J		27-32-11	GDX0001	S..	N2	3	MTD-F2	VA301-VA315
245	UA		D04347J		27-32-11	GDX0001	S..	N2	3	ZSZ-B6	VB251-VB253 VB323-VB324 VE001-VE002
										MNX-T2	VA002-VA020 VA501-VA519 VA801-VA810 VB301-VB302
											VE021-VE023 VE101-VE103

 286T0045-101
 Wire Bundle Assembly
 Figure 101 (Sheet 169)

25-71-02



BOEING
COMPONENT
MAINTENANCE MANUAL

WIRE			FROM EQUIPMENT				TO EQUIPMENT				WIRE INFO			
NUMBER	GA	TYP	NUMBER	TERM TT	WD REF	NUMBER	TERM TT	EMC/SEP	FT	NOTE	EFFECTIVITY			
245B	24	PW	D00823	20	27-32-11	D04347J	48	N2	3	MLA-T2	VA021-VA300 VA316-VA500 VA520-VA700 VA713-VA800 VA811-VA999 VB003-VB050 VB056-VB100 VB124-VB200 VB203-VB250 VB254-VB280 VB285-VB300 VB303-VB320 VB325-VB370 VB374-VB400 VB402-VB410 VB421-VB499 VE003-VE020 VE024-VE040 VE044-VE060 VE069-VE100 VE104-VE115 VE118-VE180 VF001-VF011 VF021-VF110 VF161-VF180 VK001-VK180 VL001-VL040 VL701-VL790 VL796-VL805 VL891-VL930 VM999-VN095 VN111-VN173 VN191-VN340 VN371-VN656 VN671-VN960 VN966-VN967 VN971-VN990 VR401-VR401 VR421-VR421 VR426-VR427 VR471-VR471 VS051-VS052 VS066-VS070 VS073-VS073 VS196-VS199 VS246-VS248 VS266-VS268			
245B	24	PW	D00823	20	27-32-11	D04347J	48	N2	3		VA301-VA315			
245B	22	PR	D00823	20	27-32-11	D04347J	48	N2	3	ZSZ-B6	VB251-VB253 VB323-VB324 VE001-VE002			
245B	24	PW	D00823	20	27-32-11	D04347J	48	N2	3	MLA-T2	VE117-VE117			
245B	24	PW	D00823	20	27-32-11	D04347J	48	N2	5	MOT-F2	VF251-VF260 VK181-VK190 VL806-VL810 VL871-VL880 VL931-VL945 VN096-VN110 VN174-VN190 VN657-VN670 VN968-VN970 VR461-VR461 VS061-VS061 VS091-VS094 VS111-VS111 VS131-VS132 VS176-VS177 VS186-VS187 VS206-VS207 VS261-VS262			
245B	24	PW	D00823	20	27-32-11	D04347J	48	N2	2		VA002-VA020 VA501-VA519 VA801-VA810 VB301-VB302 VE021-VE023 VE101-VE103			

286T0045-101
Wire Bundle Assembly
Figure 101 (Sheet 170)

25-71-02

WIRE			FROM EQUIPMENT			TO EQUIPMENT			WIRE INFO				
NUMBER	GA	TYP	NUMBER	TERM	TT	WD REF	NUMBER	TERM	TT	EMC / SEP	FT	NOTE	EFFECTIVITY
245R	24	PW	D00823	19		27-32-11	D04347J	47		N2		MLA-T2	VA021-VA300 VA316-VA500 VA520-VA700 VA713-VA800 VA811-VA999 VB003-VB050 VB056-VB100 VB124-VB200 VB203-VB250 VB254-VB280 VB285-VB300 VB303-VB320 VB325-VB370 VB374-VB400 VB402-VB410 VB421-VD999 VE003-VE020 VE024-VE040 VE044-VE060 VE069-VE100 VE104-VE115 VE118-VE180 VF001-VF011 VF021-VE110 VF161-VF180 VF251-VF260 VK001-VK190 VL001-VL040 VL701-VL790 VL796-VL810 VL871-VL880 VL891-VL945 VM999-VN340 VN371-VN960 VN966-VN990 VRA01-VRA401 VRA21-VRA421 VR426-VR427 VR461-VR461 VRA71-VR471 VS051-VS052 VS061-VS061 VS066-VS070 VS073-VS073 VS091-VS094 VS111-VS111 VS131-VS132 VS176-VS177 VS186-VS187 VS196-VS199 VS206-VS207 VS246-VS248 VS261-VS262 VS266-VS268
245R	24	PW	D00823	19		27-32-11	D04347J	47		N2			VA301-VA315
245R	22	PR	D00823	19		27-32-11	D04347J	47		N2		ZSZ-B6	VB251-VB253 VB323-VB324 VE001-VE002
245R	24	PW	D00823	19		27-32-11	D04347J	47		N2		MLA-T2	VE117-VE117
245R	24	PW	D00823	19		27-32-11	D04347J	47		N2		MOT-F2	VA002-VA020 VA501-VA519 VA801-VA810 VB301-VB302 VE021-VE023 VE101-VE103

286T0045-101
 Wire Bundle Assembly
 Figure 101 (Sheet 171)

25-71-02

TESTING & TROUBLE SHOOTING
 01 Page 120X
 Nov 01/02



BOEING
COMPONENT
MAINTENANCE MANUAL

WIRE		FROM EQUIPMENT		TO EQUIPMENT		WIRE INFO	
NUMBER	GA TYP	NUMBER	TERM TT	WD REF	NUMBER	TERM TT	EFFECTIVITY
245Z		D00823	DED	27-32-11	D04347J		VA021-VA300 VA316-VA500 VA520-VA700 VA713-VA800 VA811-VA999 VB003-VB050 VB056-VB100 VB124-VB200 VB203-VB250 VB254-VB280 VB285-VB300 VB303-VB320 VB325-VB370 VB374-VB400 VB402-VB410 VB421-VD999 VE003-VE020 VE024-VE040 VE044-VE060 VE069-VE100 VE104-VE115 VE118-VE180 VF001-VF011 VF021-VF110 VF161-VF180 VF251-VF260 VK001-VK190 VL001-VL040 VL701-VL790 VL796-VL810 VL871-VL880 VL891-VL945 VM999-VN340 VN371-VN960 VN966-VN990 VR401-VR401 VR421-VR421 VR426-VR427 VR461-VR461 VR471-VR471 VS051-VS052 VS061-VS061 VS066-VS070 VS073-VS073 VS091-VS094 VS111-VS111 VS131-VS132 VS176-VS177 VS186-VS187 VS196-VS199 VS206-VS207 VS246-VS248 VS261-VS262 VS266-VS268
245Z		D00823	DED	27-32-11	D04347J		VA301-VA315
245Z		D00823	DED	27-32-11	D04347J		ZSZ-B6
245Z		D00823	DED	27-32-11	D04347J		MZA-F2
245Z		D00823	DED	27-32-11	D04347J		MTE-F2
247	20 UA	D04349J		31-41-35	GDX0006 S..	2	VE118-VE120 VK012-VK020 VK131-VK140

286T0045-101
Wire Bundle Assembly
Figure 101 (Sheet 172)

25-71-02

WIRE		FROM EQUIPMENT		TO EQUIPMENT		WIRE INFO				
NUMBER	GA TYP	NUMBER	TERM TT	WD REF	NUMBER	TERM TT	EMC/SEP	FT	NOTE	EFFECTIVITY
247	20 UA	D04349J		31-41-35	GDX0006	S..	2 N2	3		VF251-VF260 VK181-VK190 VL806-VL810 VL871-VL880 VL931-VL945 VN096-VN110 VN174-VN190 VN657-VN670 VN968-VN970 VR461-VR461 VS061-VS061 VS091-VS094 VS111-VS111 VS131-VS132 VS186-VS187 VS206-VS207 VS261-VS262
247	20 UA	D04349J		31-41-35	GDX0006	S..	2 N2	2		VN383-VN470
247	20 UA	D04349J		31-41-35	GDX0006	S..	2 N2	4		VS176-VS177
247	20 UA	D04349J		31-41-35	GDX0006	S..	2 N2	2		VB329-VB370 VB441-VB450 VE086-VE100 VE171-VE180 VF051-VF110 VF161-VF170 VK046-VK080 VK090-VK130 VK141-VK180 VL012-VL040 VL701-VL790 VL796-VL805 VL891-VL930 VM999-VM999 VN016-VN050 VN055-VN080 VN086-VN095 VN111-VN173 VN191-VN340 VN371-VN656 VN671-VN960 VN966-VN967 VN971-VN990 VR401-VR401 VR421-VR421 VR426-VR427 VR471-VR471 VS051-VS052 VS066-VS070 VS073-VS073 VS196-VS199 VS246-VS248 VS266-VS268
247B	24 PW	D02261	42	31-41-35	D04349J	57	N2	4		VE118-VE120 VK012-VK020 VK131-VK140
247B	24 PW	D02261	42	31-41-35	D04349J	57	N2	3		VE147-VE170 VF171-VF180
247B	24 PW	D02261	42	31-41-35	D04349J	57	N2	4		VF251-VF260
247B	24 PW	D02261	42	31-41-35	D04349J	57	N2	2		VK181-VK190 VL806-VL810 VL871-VL880 VL931-VL945 VN096-VN110 VN174-VN190 VN657-VN670 VN968-VN970 VR461-VR461 VS061-VS061 VS091-VS094 VS111-VS111 VS131-VS132 VS176-VS177 VS186-VS187 VS206-VS207 VS261-VS262

286T0045-101
Wire Bundle Assembly
Figure 101 (Sheet 173)

25-71-02

TESTING & TROUBLE SHOOTING
01

Page 120Z
Nov 01/02



BOEING
COMPONENT
MAINTENANCE MANUAL

WIRE		FROM EQUIPMENT			TO EQUIPMENT			WIRE INFO			
NUMBER	GA	TYP	NUMBER	TERM TT	WD REF	NUMBER	TERM TT	EMC / SEP	FT	NOTE	EFFECTIVITY
247B	24	PW	D02261	42	31-41-35	D04349J	57	N2	2		VE329-VB370 VB441-VB450 VE086-VE100 VE118-VE120 VE171-VE180 VF051-VF110 VF161-VF170 VK012-VK020 VK046-VK080 VK090-VK190 VL012-VL040 VL701-VL790 VL796-VL810 VL871-VL880 VL891-VL945 VM999-VM999 VN016-VN050 VN055-VN080 VN086-VN340 VN371-VN960 VN966-VN990 VR401-VR401 VR421-VR421 VR426-VR427 VR461-VR461 VR471-VR471 VS051-VS052 VS061-VS061 VS066-VS070 VS073-VS073 VS091-VS094 VS111-VS111 VS131-VS132 VS176-VS177 VS186-VS187 VS196-VS199 VS206-VS207 VS246-VS248 VS261-VS262 VS266-VS268
247R	24	PW	D02261	43	31-41-35	D04349J	56	N2			VE147-VE170 VF171-VF180 VF251-VF260
247R	24	PW	D02261	43	31-41-35	D04349J	56	N2			VE329-VB370 VB441-VB450 VE086-VE100 VE118-VE120 VE171-VE180 VF051-VF110 VF161-VF170 VK012-VK020 VK046-VK080 VK090-VK190 VL012-VL040 VL701-VL790 VL796-VL810 VL871-VL880 VL891-VL945 VM999-VM999 VN016-VN050 VN055-VN080 VN086-VN340 VN371-VN960 VN966-VN990 VR401-VR401 VR421-VR421 VR426-VR427 VR461-VR461 VR471-VR471 VS051-VS052 VS061-VS061 VS066-VS070 VS073-VS073 VS091-VS094 VS111-VS111 VS131-VS132 VS176-VS177 VS186-VS187 VS196-VS199 VS206-VS207 VS246-VS248 VS261-VS262 VS266-VS268
247Z			D02261	DED	31-41-35	D04349J		N2			VE147-VE170 VF171-VF180 VF251-VF260

286T0045-101
Wire Bundle Assembly
Figure 101 (Sheet 174)

25-71-02

WIRE		FROM EQUIPMENT			TO EQUIPMENT			WIRE INFO		
NUMBER	CA TYP	NUMBER	TERM TT	WD REF	NUMBER	TERM TT	EMC/SEP	FT	NOTE	EFFECTIVITY
247Z		D02261	DED	31-41-35	D04349J		N2			VB329-VB370 VB441-VB450 VE086-VE100 VE118-VE120 VE147-VE180 VF051-VF110 VF161-VF180 VK046-VK080 VK090-VK130 VK141-VK180 VL012-VL040 VL701-VL790 VL796-VL805 VL891-VL930 VM999-VM999 VM055-VM080 VN086-VN095 VN111-VN173 VN191-VN340 VN371-VN382 VN471-VN656 VN671-VN960 VN966-VN967 VN971-VN990 VR401-VR401 VR421-VR421 VR426-VR427 VR471-VR471 VS051-VS052 VS066-VS070 VS073-VS073 VS246-VS248 VS266-VS268
248	20 UA	D04349J		28-41-11	GDX0006	S.. 2	N2	4		VF251-VF260 VK181-VK190 VL806-VL810 VL871-VL880 VL931-VL945 VN096-VN110 VN174-VN190 VM657-VM670 VN968-VN970 VR461-VR461 VS061-VS061 VS091-VS094 VS111-VS111 VS131-VS132 VS186-VS187 VS206-VS207 VS261-VS262
248	20 UA	D04349J		28-41-11	GDX0006	S.. 2	N2	2		VK012-VK020 VK131-VK140 VN016-VN050 VS196-VS199
248	20 UA	D04349J		28-41-11	GDX0006	S.. 2	N2	3		VN383-VN470
248	20 UA	D04349J		28-41-11	GDX0006	S.. 2	N2	4		VS176-VS177
248	20 UA	D04349J		28-41-11	GDX0006	S.. 2	N2	2		VB329-VB370 VB441-VB450 VE086-VE100 VE118-VE120 VE171-VE180 VF051-VF110 VF161-VF170 VK046-VK080 VK090-VK180 VL012-VL040 VL701-VL790 VL796-VL805 VL891-VL930 VM999-VM999 VN016-VN050 VN055-VN080 VN086-VN095 VN111-VN173 VN191-VN340 VN371-VN656 VN671-VN960 VN966-VN967 VN971-VN990 VR401-VR401 VR421-VR421 VR426-VR427 VR471-VR471 VS051-VS052 VS066-VS070 VS073-VS073 VS196-VS199 VS246-VS248 VS266-VS268
248B	24 PW	D02261	5	28-41-11	D04349J	60	N2	4		VE147-VE170 VF171-VF180
248B	24 PW	D02261	5	28-41-11	D04349J	60	N2	4		VF251-VF260
248B	24 PW	D02261	5	28-41-11	D04349J	60	N2	2		VK012-VK020

286T0045-101
Wire Bundle Assembly
Figure 101 (Sheet 175)

25-71-02



BOEING
COMPONENT
MAINTENANCE MANUAL

WIRE		FROM EQUIPMENT			TO EQUIPMENT			WIRE INFO			
NUMBER	GA	TYP	NUMBER	TERM TT	WD REF	NUMBER	TERM TT	EMC/SEP	FT	NOTE	EFFECTIVITY
248B	24	PW	D02261	5	28-41-11	D04349J	60	N2	3		VK181-VK190 VL806-VL810 VL871-VL880 VL931-VL945 VN096-VN110 VN174-VN190 VM657-VN670 VN968-VN970 VR461-VR461 VS061-VS061 VS091-VS094 VS111-VS111 VS131-VS132 VS176-VS177 VS186-VS187 VS206-VS207 VS261-VS262
	24	PW	D02261	5	28-41-11	D04349J	60	N2	2		VB329-VB370 VB441-VB450 VE086-VE100 VE118-VE120 VE171-VE180 VF051-VF110 VF161-VF170 VK012-VK020 VK046-VK080 VK090-VK190 VL012-VL040 VL701-VL790 VL796-VL810 VL871-VL880 VL891-VL945 VM999-VM999 VN016-VN050 VN055-VN080 VN086-VN340 VN371-VN960 VN966-VN990 VR401-VR401 VR421-VR421 VR426-VR427 VR461-VR461 VR471-VR471 VS051-VS052 VS061-VS061 VS066-VS070 VS073-VS073 VS091-VS094 VS111-VS111 VS131-VS132 VS176-VS177 VS186-VS187 VS196-VS199 VS206-VS207 VS246-VS248 VS261-VS262 VS266-VS268
248R	24	PW	D02261	8	28-41-11	D04349J	59	N2			VE147-VE170 VF171-VF180 VF251-VF260
	24	PW	D02261	8	28-41-11	D04349J	59	N2			VB329-VB370 VB441-VB450 VE086-VE100 VE118-VE120 VE171-VE180 VF051-VF110 VF161-VF170 VK012-VK020 VK046-VK080 VK090-VK190 VL012-VL040 VL701-VL790 VL796-VL810 VL871-VL880 VL891-VL945 VM999-VM999 VN016-VN050 VN055-VN080 VN086-VN340 VN371-VN960 VN966-VN990 VR401-VR401 VR421-VR421 VR426-VR427 VR461-VR461 VR471-VR471 VS051-VS052 VS061-VS061 VS066-VS070 VS073-VS073 VS091-VS094 VS111-VS111 VS131-VS132 VS176-VS177 VS186-VS187 VS196-VS199 VS206-VS207 VS246-VS248 VS261-VS262 VS266-VS268
248Z			D02261	DEED	28-41-11	D04349J		N2			VE147-VE170 VF171-VF180 VF251-VF260

286T0045-101
Wire Bundle Assembly
Figure 101 (Sheet 176)

25-71-02

WIRE		FROM EQUIPMENT			TO EQUIPMENT			WIRE INFO			
NUMBER	GA	TYP	NUMBER	TERM TT	WD REF	NUMBER	TERM TT	EMC/SEP	FT	NOTE	EFFECTIVITY
248Z			D02261	DED	28-41-11	D04349J		N2			VF071-VF090 VN111-VN170 VN221-VN230 VN301-VN340 VN634-VN650 VN671-VN675 VN821-VN920 VS246-VS248
249	20	UA	D02261	REF	32-45-11	GDX0003	S..	N2	4		VL891-VL910
249	20	UA	D02261	REF	32-45-11	GDX0003	S..	N2	3		VF071-VF090 VN151-VN170
249B	24	PW	D02261	46	32-45-11	D04301J	17	N2	4		VL891-VL910
249B	24	PW	D02261	46	32-45-11	D04511J	23	N2	3		VN111-VN150 VN221-VN230 VN301-VN340 VN634-VN650 VN671-VN675 VN821-VN920 VS246-VS248
249B	24	PW	D02261	46	32-45-11	D04511J	23	N2	4		VF071-VF090 VN151-VN170
249R	24	PW	D02261	48	32-45-11	D04301J	16	N2			VL891-VL910 VN111-VN150 VN221-VN230 VN301-VN340 VN634-VN650 VN671-VN675 VN821-VN920 VS246-VS248
249R	24	PW	D02261	48	32-45-11	D04511J	22	N2			VF071-VF090 VN151-VN170
249Z			D02261	REF	32-45-11	D04301J	18	N2			VL891-VL910 VN111-VN150 VN221-VN230 VN301-VN340 VN634-VN650 VN671-VN675 VN821-VN920 VS246-VS248
249Z			D02261	REF	32-45-11	D04511J	24	N2			VB329-VB330 VF051-VF060 VN111-VN119
269	20	PA	GDX0006	D..	31-51-31	SM00079		N2	4		VB329-VB330 VF051-VF060 VN111-VN150 VN821-VN920 VS246-VS248
270	20	PA	GDX0006	D..	31-51-32	SM00086		N2	4		VA002-VA020 VB001-VB002 VB281-VB284 VB323-VB324 VB371-VB373 VE101-VE104 VK001-VK009 VK021-VK022 VK081-VK098 VL011-VL011 VN191-VN192 VN221-VN222
271B	24	PL	D04597J	5	31-51-31	SM00088		N2	4	MLA-F2	VA021-VA300 VA316-VA500 VA811-VA999 VB003-VB050 VB056-VB100 VB126-VB200 VB203-VB250 VB254-VB280 VB303-VB320 VB374-VB400 VE024-VE040 VE118-VE118 VE147-VE149 VE172-VE172 VF011-VF011 VF062-VF062 VF092-VF093 VF101-VF102 VK046-VK050 VK131-VK133 VL012-VL040 VN059-VN060 VN086-VN088 VN118-VN119 VN233-VN234 VN251-VN259 VN301-VN303

286T0045-101
Wire Bundle Assembly
Figure 101 (Sheet 177)

25-71-02



BOEING
COMPONENT
MAINTENANCE MANUAL

WIRE		FROM EQUIPMENT			TO EQUIPMENT			WIRE INFO			
NUMBER	GA	TYP	NUMBER	TERM TT	WD REF	NUMBER	TERM TT	EMC/SEP	FT	NOTE	EFFECTIVITY
271B	24	PL	D04347J	55	31-51-31	SM00088	W	N2	4		VA531-VA700 VA720-VA800 VB101-VB125 VB285-VB300 VB331-VB370 VB402-VB410 VB421-VD999 VE004-VE020 VE044-VE060 VE070-VE082 VE087-VE100 VE105-VE115 VE119-VE120 VE127-VE140 VE150-VE170 VE173-VE180 VF003-VF010 VF021-VF050 VF052-VF060 VF063-VF070 VF073-VF090 VF094-VF100 VF103-VF110 VF161-VF180 VK010-VK020 VK023-VK030 VK051-VK080 VK099-VK130 VK134-VK180 VL007-VL010 VL701-VL790 VL796-VL805 VL891-VL930 VM999-VM999 VN016-VN050 VN061-VN080 VN089-VN095 VN120-VN153 VN158-VN162 VN168-VN173 VN193-VN210 VN213-VN220 VN223-VN230 VN235-VN240 VN242-VN250 VN260-VN300 VN304-VN340 VN371-VN540 VN542-VN656 VN671-VN960 VN966-VN967 VN971-VN990 VR401-VR401 VR421-VR421 VR426-VR427 VR471-VR471 VS051-VS052 VS066-VS070 VS073-VS073 VS196-VS199 PRESS ENTER FOR ADDITIONAL EFFS
271B	24	PL	D04597J	5	31-51-31	SM00088	W	N2	4		VS246-VS248 VS266-VS268
271B	24	PL	D04597J	5	31-51-31	SM00088	W	N2	4		VA801-VA810 VB301-VB301
271B	24	PL	D04597J	5	31-51-32	SM00088	W	N2	4	MLA-F2	VB251-VB253 VE001-VE003 VE121-VE126 VF001-VF002 VF061-VF061 VL001-VL006 VN051-VN058 VN231-VN232
271B	24	PL	D04597J	5	31-51-31	SM00088	W	N2	4	MLA-F2	VE061-VE063 VE066-VE069 VN081-VN085 VN541-VN541
271B	24	PL	D04597J	5	31-51-31	SM00088	W	N2	4	ZSZ-B6	VF071-VF072 VN156-VN157 VN163-VN167
271B	24	PL	D04397J	5	31-51-31	SM00088	W	N2	4		VF251-VF260 VK181-VK190 VL806-VL810 VL871-VL880 VL931-VL945 VN096-VN110 VN174-VN190 VN657-VN670 VN968-VN970 VR461-VR461 VS061-VS061 VS091-VS094 VS111-VS111 VS131-VS132 VS176-VS177 VS186-VS187 VS206-VS207 VS261-VS262

286T0045-101
Wire Bundle Assembly
Figure 101 (Sheet 178)

25-71-02



COMPONENT
MAINTENANCE MANUAL

WIRE		FROM EQUIPMENT			TO EQUIPMENT			WIRE INFO		
NUMBER	GA TYP	NUMBER	TERM TT	WD REF	NUMBER	TERM TT	EMC / SEP	FT	NOTE	EFFECTIVITY
271B	24 PL	D04597J	5	31-51-31	SM00088	W	N2	1		VN154-VN155
271B	24 PL	D04597J	5	31-51-31	SM00088	W	N2	4	MLA-F2	VA002-VA020 VB001-VB002 VB281-VB284 VB323-VB324 VB371-VB373 VE101-VE104 VK001-VK009 VK021-VK022 VK081-VK098 VL011-VL011 VN154-VN155 VN191-VN192 VN221-VN222
271R	24 PL	D04597J	2	31-51-31	SM00087	W	N2		MLA-F2	VA021-VA300 VA316-VA500 VA811-VA999 VB003-VB050 VB056-VB100 VB126-VB200 VB203-VB250 VB254-VB280 VB303-VB320 VB374-VB400 VE024-VE040 VE118-VE118 VE147-VE149 VE172-VE172 VF011-VF011 VF062-VF062 VF092-VF093 VF101-VF102 VK046-VK050 VK131-VK133 VL012-VL040 VN059-VN060 VN086-VN088 VN118-VN119 VN233-VN234 VN251-VN259 VN301-VN303
271R	24 PL	D04347J	54	31-51-31	SM00087	W	N2			VA531-VA700 VA720-VA800 VB101-VB125 VB285-VB300 VB331-VB370 VB402-VB410 VB421-VB421 VB421-VB421 VE044-VE060 VE070-VE082 VE087-VE100 VE105-VE115 VE119-VE120 VE127-VE140 VE150-VE170 VE173-VE180 VF003-VF010 VF021-VF050 VF052-VF060 VF063-VF070 VF073-VF090 VF094-VF100 VF103-VF110 VF161-VF180 VF251-VF260 VK010-VK020 VK023-VK030 VK051-VK080 VK099-VK130 VK134-VK190 VL007-VL010 VL701-VL790 VL796-VL810 VL871-VL880 VL891-VL945 VM999-VM999 VN016-VN050 VN061-VN080 VN089-VN110 VN120-VN153 VN158-VN162 VN168-VN190 VN193-VN210 VN213-VN220 VN223-VN230 VN235-VN240 VN242-VN250 VN260-VN300 VN304-VN340 VN371-VN540 VN542-VN960 VN966-VN990 VR401-VR401 VR421-VR421 VR426-VR427 VR461-VR461 VR471-VR471 VS051-VS052 VS061-VS061 VS066-VS070 PRESS ENTER FOR ADDITIONAL EFFS

286T0045-101
Wire Bundle Assembly
Figure 101 (Sheet 179)

25-71-02



BOEING
COMPONENT
MAINTENANCE MANUAL

WIRE			FROM EQUIPMENT			TO EQUIPMENT			WIRE INFO				
NUMBER	GA	TYP	NUMBER	TERM	TT	WD REF	NUMBER	TERM	TT	EMC / SEP	FT	NOTE	EFFECTIVITY
271R	24	PL	D04597J	2		31-51-31	SM00087			W N2			VS073-VS073 VS091-VS094 VS111-VS111 VS131-VS132 VS176-VS177 VS186-VS187 VS196-VS199 VS206-VS207 VS246-VS248 VS261-VS262 VS266-VS268
271R	24	PL	D04597J	2		31-51-31	SM00087			W N2			VA801-VA810 VB301-VB301
271R	24	PL	D04597J	2		31-51-32	SM00087			W N2		MLA-F2	VB251-VB253 VE001-VE003 VE121-VE126 VF001-VF002 VF061-VF061 VL001-VL006 VN051-VN058 VN231-VN232
271R	24	PL	D04597J	2		31-51-31	SM00087			W N2		MLA-F2	VE061-VE063 VE066-VE069 VN081-VN085 VN541-VN541
271R	24	PL	D04597J	2		31-51-31	SM00087			W N2		ZSZ-B6	VF071-VF072 VN156-VN157 VN163-VN167
271R	24	PL	D04397J	2		31-51-31	SM00087			W N2			VA002-VA020 VA801-VA810 VB001-VB002 VB281-VB284 VB301-VB301 VB323-VB324 VB371-VB373 VE101-VE104 VK001-VK009 VK021-VK022 VK081-VK095 VL011-VL011 VN154-VN155 VN191-VN192 VN221-VN222

286T0045-101
Wire Bundle Assembly
Figure 101 (Sheet 180)

25-71-02

WIRE		FROM EQUIPMENT		TO EQUIPMENT		WIRE INFO				
NUMBER	CA	TYP	PL	WD REF	NUMBER	TERM TT	EMC/SEP	FT	NOTE	EFFECTIVITY
272B	24	PL	D01487	31-51-31	SM00088	W	N2	4	MOT-F2	VA021-VA300 VA316-VA500 VA531-VA700 VA720-VA800 VA811-VA999 VB003-VB050 VB056-VB200 VB203-VB250 VB254-VB280 VB285-VB300 VB303-VB320 VB331-VB3370 VB374-VB400 VB402-VB410 VB421-VD999 VE004-VE020 VE024-VE040 VE044-VE060 VE070-VE082 VE087-VE100 VE105-VE115 VE118-VE120 VE127-VE140 VE147-VE170 VE172-VE180 VF003-VF011 VF021-VF050 VF052-VF060 VF062-VF090 VF092-VF110 VF161-VF180 VK010-VK020 VK023-VK030 VK046-VK080 VK099-VK180 VL007-VL010 VL012-VL040 VL701-VL790 VL796-VL805 VL891-VL930 VM999-VM999 VN016-VN050 VN059-VN080 VN086-VN095 VN118-VN153 VN156-VN173 VN193-VN210 VN213-VN220 VN223-VN230 VN233-VN240 VN242-VN340 VN371-VN656 VN671-VN960 VN966-VN967 VN971-VN990 VR401-VR401 VR421-VR421 VR426-VR427 VR471-VR471 VS051-VS052 PRESS ENTER FOR ADDITIONAL EFFS
272B	24	PL	D01487	31-51-31	SM00088	W	N2	4		VS066-VS070 VS073-VS073 VS196-VS199 VS246-VS248 VS266-VS268
272B	24	PL	D01487	31-51-31	SM00088	W	N2	4		VB251-VB253 VE001-VE003 VE121-VE126 VF001-VF002 VF061-VF061 VL001-VL006 VN051-VN058 VN231-VN232
272B	24	PL	D01487	31-51-31	SM00088	W	N2	4	MOT-F2	VE061-VE063 VE066-VE069 VN081-VN085
272B	24	PL	D01487	31-51-31	SM00088	W	N2	4	ZSZ-B6	VF251-VF260 VK181-VK190 VL806-VL810 VL871-VL880 VL931-VL945 VN096-VN110 VN174-VN190 VN657-VN670 VN968-VN970 VR461-VR461 VS061-VS061 VS091-VS094 VS111-VS111 VS131-VS132 VS176-VS177 VS186-VS187 VS206-VS207 VS261-VS262
272B	24	PL	D01487	31-51-31	SM00088	W	N2	1		VK096-VK098

286T0045-101
Wire Bundle Assembly
Figure 101 (Sheet 181)

25-71-02



BOEING
COMPONENT
MAINTENANCE MANUAL

WIRE		FROM EQUIPMENT			TO EQUIPMENT			WIRE INFO		
NUMBER	GA TYP	NUMBER	TERM TT	WD REF	NUMBER	TERM TT	EMC / SEP	FT	NOTE	EFFECTIVITY
272B	24 PL	D01487	63	31-51-31	SM00088	W	N2	4	MZP-F2	VA002-VA020 VA801-VA810 VB001-VB002 VB281-VB284 VB301-VB301 VB323-VB324 VB371-VB373 VE101-VE104 VK001-VK009 VK021-VK022 VK081-VK095 VL011-VL011 VN154-VN155 VN191-VN192 VN221-VN222
272R	24 PL	D01487	62	31-51-31	SM00087	W	N2		MOT-F2	VA021-VA300 VA316-VA500 VA531-VA700 VA720-VA800 VA811-VA999 VB003-VB050 VB056-VB200 VB203-VB250 VB254-VB280 VB285-VB300 VB303-VB320 VB331-VB370 VB374-VB400 VB402-VB410 VB421-VD999 VE004-VE020 VE024-VE040 VE044-VE060 VE070-VE082 VE087-VE100 VE105-VE115 VE118-VE120 VE127-VE140 VE147-VE170 VE172-VE180 VF003-VF011 VF021-VF050 VF052-VF060 VF062-VF090 VF092-VF110 VF161-VF180 VF251-VF260 VK010-VK020 VK023-VK030 VK046-VK080 VK099-VK190 VL007-VL010 VL012-VL040 VL701-VL790 VL796-VL810 VL871-VL880 VL891-VL945 VM999-VM999 VN016-VN050 VN059-VN080 VN086-VN110 VN118-VN153 VN156-VN190 VN193-VN210 VN213-VN220 VN223-VN230 VN233-VN240 VN242-VN340 VN371-VN960 VN966-VN990 VR401-VR401 VR421-VR421 VR426-VR427 VR461-VR461 VR471-VR471 PRESS ENTER FOR ADDITIONAL EFFS
272R	24 PL	D01487	62	31-51-31	SM00087	W	N2			VS051-VS052 VS061-VS061 VS066-VS070 VS073-VS073 VS091-VS094 VS111-VS111 VS131-VS132 VS176-VS177 VS186-VS187 VS196-VS199 VS206-VS207 VS246-VS248 VS261-VS262 VS266-VS268
272R	24 PL	D01487	62	31-51-31	SM00087	W	N2			VB251-VB253 VE001-VE003 VE121-VE126 VF001-VF002 VF061-VF061 VL001-VL006 VN051-VN058 VN231-VN232
272R	24 PL	D01487	62	31-51-31	SM00087	W	N2		MOT-F2	VE061-VE063 VE066-VE069 VN081-VN085
272R	24 PL	D01487	62	31-51-31	SM00087	W	N2		ZSZ-B6	VK096-VK098

286T0045-101
Wire Bundle Assembly
Figure 101 (Sheet 182)

25-71-02



COMPONENT
MAINTENANCE MANUAL

WIRE		FROM EQUIPMENT		TO EQUIPMENT		WIRE INFO					
NUMBER	GA	TYP	NUMBER	TERM TT	WD REF	NUMBER	TERM TT	ENC/SEP	FT	NOTE	EFFECTIVITY
272R	24	PL	D01487	62	31-51-31	SM00087		N2		MZP-F2	VA002-VA020 VA801-VA810 VB001-VB002 VB281-VB284 VB301-VB301 VB323-VB324 VB371-VB373 VE101-VE104 VK001-VK009 VK021-VK022 VK081-VK095 VL011-VL011 VN154-VN155 VN191-VN192 VN221-VN222
273B	24	PL	D00817	63	31-51-32	SM00088		N2	4	MOT-F2	VA021-VA300 VA316-VA500 VA531-VA700 VA720-VA800 VA811-VA999 VB003-VB050 VB056-VB200 VB203-VB250 VB254-VB280 VB285-VB300 VB303-VB320 VB331-VB370 VB374-VB400 VB402-VB410 VB421-VD999 VE004-VE020 VE024-VE040 VE044-VE060 VE070-VE082 VE087-VE100 VE105-VE115 VE118-VE120 VE127-VE140 VE147-VE170 VE172-VE180 VF003-VF011 VF021-VF050 VF052-VF060 VF062-VF090 VF092-VF110 VF161-VF180 VK010-VK020 VK023-VK030 VK046-VK080 VK099-VK180 VL007-VL010 VL012-VL040 VL701-VL790 VL796-VL805 VL891-VL930 VM999-VM999 VN016-VN050 VN059-VN080 VN086-VN095 VN118-VN153 VN156-VN173 VN193-VN210 VN213-VN220 VN223-VN230 VN233-VN240 VN242-VN340 VN371-VN656 VN671-VN960 VN966-VN967 VN971-VN990 VR401-VR401 VR421-VR421 VR426-VR427 VR471-VR471 VS051-VS052 PRESS ENTER FOR ADDITIONAL EFFS
273B	24	PL	D00817	63	31-51-32	SM00088		N2	4		VS066-VS070 VS073-VS073 VS196-VS199 VS246-VS248 VS266-VS268
273B	24	PL	D00817	63	31-51-32	SM00088		N2	4		VB251-VB253 VE121-VE126 VF061-VF061 VL001-VL006 VN051-VN058 VN231-VN232
273B	24	PL	D00817	63	31-51-32	SM00088		N2	4	MOT-F2	VE001-VE003
273B	24	PK	D00817	63	31-51-32	SM00088		N2	4	MOT-F2	VE061-VE063 VE066-VE069 VN081-VN085
273B	24	PL	D00817	63	31-51-32	SM00088		N2	4	ZSZ-B6	VF001-VF002

286T0045-101
Wire Bundle Assembly
Figure 101 (Sheet 183)

25-71-02



BOEING
COMPONENT
MAINTENANCE MANUAL

WIRE			FROM EQUIPMENT			TO EQUIPMENT			WIRE INFO							
NUMBER	GA	TYP	PL	NUMBER	TERM	TT	WD	REF	NUMBER	TERM	TT	EMC / SEP	FT	NOTE	EFFECTIVITY	
273B	24	PL	D00817	63	31-51-32	SM00088	W	N2	MOT-F2	VF251-VF260 VL931-VL945 VN968-VN970 VS111-VS111 VS206-VS207	VK181-VK190 VN096-VN110 VR461-VR461 VS131-VS132 VS261-VS262	VL806-VL810 VN174-VN190 VS061-VS061 VS176-VS177 VS186-VS187	VL871-VL880 VN657-VN670 VS091-VS094 VS186-VS187			
273B	24	PL	D00817	63	31-51-32	SM00088	W	N2	1	VK096-VK098						
273B	24	PL	D00817	63	31-51-32	SM00088	W	N2	4	VA002-VA020 VB301-VB301 VK001-VK009 VN154-VN155	VA801-VA810 VB323-VB324 VK021-VK022 VN191-VN192	VB001-VB002 VB371-VB373 VK081-VK095 VN221-VN222	VB281-VB284 VE101-VE104 VL011-VL011			
273R	24	PL	D00817	62	31-51-32	SM00087	W	N2	MOT-F2	VA021-VA300 VA811-VA999 VB254-VB280 VB374-VB400 VE024-VE040 VE105-VE115 VE172-VE180 VF062-VF090 VK010-VK020 VL007-VL010 VL871-VL880 VN059-VN080 VN193-VN210 VN242-VN340 VR421-VR421	VA316-VA500 VB003-VB050 VB285-VB300 VB402-VB410 VE044-VE060 VE118-VE120 VF003-VF011 VF092-VF110 VK023-VK030 VL012-VL040 VL891-VL945 VM086-VN110 VN213-VN220 VN371-VN960 VR426-VR427	VA531-VA700 VB056-VB200 VB303-VB320 VB331-VB370 VE070-VE082 VE127-VE140 VF021-VF050 VF161-VF180 VK046-VK080 VL701-VL790 VM999-VM999 VN016-VN050 VN118-VN153 VN233-VN240 VN966-VN990 VR401-VR401 VR461-VR461	VA720-VA800 VB203-VB250 VB331-VB370 VE004-VE020 VE087-VE100 VE147-VE170 VF052-VF060 VF251-VF260 VK099-VK190 VL796-VL810 VM999-VM999 VN016-VN050 VN156-VN190 VN233-VN240 VR401-VR401 VR471-VR471			

PRESS ENTER FOR ADDITIONAL EFFF

286T0045-101
Wire Bundle Assembly
Figure 101 (Sheet 184)

25-71-02

WIRE			FROM EQUIPMENT			TO EQUIPMENT			WIRE INFO		
NUMBER	GA	TYP	NUMBER	TERM	WD REF	NUMBER	TERM	EMC/	FT	NOTE	EFFECTIVITY
				TT			TT	SEP			
273R	24	PL	D00817	62	31-51-32	SM00087		W N2			VS051-VS052 VS061-VS061 VS066-VS070 VS073-VS073 VS091-VS094 VS111-VS111 VS131-VS132 VS176-VS177 VS186-VS187 VS196-VS199 VS206-VS207 VS246-VS248 VS261-VS262 VS266-VS268
273R	24	PL	D00817	62	31-51-32	SM00087		W N2			VB251-VB253 VE121-VE126 VF061-VF061 VL001-VL006 VN051-VN058 VN231-VN232
273R	24	PL	D00817	62	31-51-32	SM00087		W N2		MOT-F2	VE001-VE003
273R	24	PK	D00817	62	31-51-32	SM00087		W N2	4	MOT-F2	VE061-VE063 VE066-VE069 VN081-VN085
273R	24	PL	D00817	62	31-51-32	SM00087		W N2		ZSZ-B6	VF001-VF002
273R	24	PL	D00817	62	31-51-32	SM00087		W N2	4	MOT-F2	VK096-VK098
273R	24	PL	D00817	62	31-51-32	SM00087		W N2		MZP-T2	VL751-VL790
278	24	PK	D04597J	7	31-51-41	SM00095		W N2	2		VL751-VL790
279	24	PK	SM00095		31-51-41	D00819	21	W N2	2		VL751-VL790 VL891-VL910
280	24	PK	SM00093		31-51-41	D00819	20	W N2	2		VL751-VL752 VL754-VL790 VL891-VL910
281	22	PA	D01489	44	31-51-33	GDX0003	D..	2 N2	3		VL751-VL790 VL891-VL910
282	24	PK	D01489	10	31-51-33	SM00093		W N2	2		VL751-VL790
284	24	PK	D01489	49	31-51-33	D04349J	41	N2	3		VL891-VL910
284	24	PK	D01489	49	31-51-33	D04349J	25	N2	3		VL891-VL910
285	24	PK	D01433	3	31-51-42	SM00097		W N2	2		VL891-VL910
287	24	PK	SM00097		34-16-11	D00821	41	N2	2		VS186-VS187 VS261-VS262
289	24	PK	D01489	21	31-51-33	D04509J	5	N2	2		VK186-VK186 VR461-VR461
290B	24	PW	D04597J	8	34-43-15	SM00104		W N2	1	ZSZ-B6	VN111-VN114 VN118-VN122 VN124-VN127 VN133-VN137 VS246-VS248
290B	24	PW	D04597J	8	34-43-15	SM00105		W N2	1	ZSZ-B6	VN242-VN243 VS091-VS094 VS261-VS262
290B	24	PW	D04597J	8	34-43-15	SM00104		W N2	1		VN651-VN658
290B	24	PW	D04597J	8	34-43-15	SM00104		9 N2	3	ZSZ-B6	VB371-VB373 VK001-VK016 VK021-VK022 VK181-VK181 VK186-VK186 VR461-VR461
290R	24	PW	D04597J	7	34-43-15	SM00103		W N2		ZSZ-B6	VN111-VN114 VN118-VN122 VN124-VN127 VN133-VN137 VS246-VS248
290R	24	PW	D04597J	7	34-43-15	SM00104		W N2		ZSZ-B6	VN242-VN243 VS091-VS094 VS261-VS262
290R	24	PW	D04597J	7	34-43-15	SM00103		W N2			VN651-VN658

286T0045-101
Wire Bundle Assembly
Figure 101 (Sheet 185)

25-71-02



BOEING
COMPONENT
MAINTENANCE MANUAL

WIRE		FROM EQUIPMENT			TO EQUIPMENT			WIRE INFO						
NUMBER	GA	TYP	NUMBER	TERM	TT	WD	REF	NUMBER	TERM	TT	SEP	FT	NOTE	EFFECTIVITY
290R	24	PW	D04597J	7		34-43-15	SM00103				9	N2	ZSZ-B6	VB371-VB373 VK001-VK016 VK021-VK022 VK181-VK181 VK186-VK186 VR461-VR461
290Z			D04597J	9		34-43-15	SM00103	REF				N2	ZSZ-B6	VN111-VN114 VN118-VN122 VN124-VN127 VN133-VN137 VS246-VS248
290Z			D04597J	11		34-43-15	SM00104	REF				N2	ZSZ-B6	VN242-VN243 VS091-VS094 VS261-VS262
290Z			D04597J	9		34-43-15	SM00103	REF				N2	ZSZ-B6	VN651-VN658
290Z			D04597J	9		34-43-15	SM00103	REF				N2	ZSZ-B6	VB371-VB373 VK001-VK016 VK021-VK022 VK181-VK181 VK186-VK186 VR461-VR461
291B	24	PW	D04303J	5		34-43-15	SM00104				W	N2	ZSZ-B6	VN111-VN114 VN118-VN122 VN124-VN127 VN133-VN137 VS246-VS248
291B	24	PW	D04303J	5		34-43-15	SM00105				W	N2	ZSZ-B6	VN242-VN243 VS261-VS262
291B	24	PW	D04303J	4		34-43-15	SM00104				W	N2	ZSZ-B6	VN651-VN658
291B	24	PW	D04303J	4		34-43-15	SM00104				9	N2	ZSZ-B6	VS091-VS094
291B	24	PW	D04303J	5		34-43-15	SM00104				W	N2	ZSZ-B6	VB371-VB373 VK001-VK016 VK021-VK022 VK181-VK181 VK186-VK186 VR461-VR461
291R	24	PW	D04303J	4		34-43-15	SM00103				W	N2	ZSZ-B6	VN111-VN114 VN118-VN122 VN124-VN127 VN133-VN137 VS246-VS248
291R	24	PW	D04303J	4		34-43-15	SM00104				W	N2	ZSZ-B6	VN242-VN243 VS261-VS262
291R	24	PW	D04303J	3		34-43-15	SM00103				W	N2	ZSZ-B6	VN651-VN658
291R	24	PW	D04303J	3		34-43-15	SM00103				9	N2	ZSZ-B6	VS091-VS094
291R	24	PW	D04303J	4		34-43-15	SM00103				W	N2	ZSZ-B6	VB371-VB373 VK001-VK016 VK021-VK022 VK181-VK181 VK186-VK186 VR461-VR461
291Z			D04303J	6		34-43-15	SM00103	REF				N2	ZSZ-B6	VN111-VN114 VN118-VN122 VN124-VN127 VN133-VN137 VS246-VS248
291Z			D04303J	6		34-43-15	SM00104	REF				N2	ZSZ-B6	VN242-VN243 VS261-VS262
291Z			D04303J	5		34-43-15	SM00103	REF				N2	ZSZ-B6	VN651-VN658
291Z			D04303J	5		34-43-15	SM00103	REF				N2	ZSZ-B6	VS091-VS094
291Z			D04303J	6		34-43-15	SM00103	REF				N2	ZSZ-B6	VB371-VB373 VK001-VK016 VK021-VK022 VK181-VK181 VK186-VK186 VR461-VR461
292B	24	PW	D04347J	53		34-43-15	SM00104				W	N2	ZSZ-B6	VN111-VN114 VN118-VN122 VN124-VN127 VN133-VN137 VS246-VS248
292B	24	PW	D04347J	53		34-43-15	SM00105				W	N2	ZSZ-B6	VN242-VN243 VS091-VS094

286T0045-101
Wire Bundle Assembly
Figure 101 (Sheet 186)

25-71-02

WIRE			FROM EQUIPMENT				TO EQUIPMENT				WIRE INFO			
NUMBER	GA.	TYP	NUMBER	TERM	TT	WD REF	NUMBER	TERM	TT	EMC/SEP	FT	NOTE	EFFECTIVITY	
292B	24	PW	D04347J	53		34-43-15	SM00104			W	N2	1	VN651-VN658	
292B	24	PW	D04347J	53		34-43-15	SM00104			9	N2	3	VS261-VS262	
292B	24	PW	D04347J	53		34-43-15	SM00104			W	N2	1	VB371-VB373 VK001-VK016 VK021-VK022 VK181-VK181 VK186-VK186 VR461-VR461	
292R	24	PW	D04347J	51		34-43-15	SM00103			W	N2		ZSZ-B6 VN111-VN114 VN118-VN122 VNL24-VN127 VNI33-VN137 VS246-VS248	
292R	24	PW	D04347J	51		34-43-15	SM00104			W	N2		ZSZ-B6 VN242-VN243 VS091-VS094	
292R	24	PW	D04347J	51		34-43-15	SM00103			W	N2		VN651-VN658	
292R	24	PW	D04347J	51		34-43-15	SM00103			9	N2		ZSZ-B6 VS261-VS262	
292R	24	PW	D04347J	51		34-43-15	SM00103			W	N2		VB371-VB373 VK001-VK016 VK021-VK022 VK181-VK181 VK186-VK186 VR461-VR461	
292Z			D04347J	61		34-43-15	SM00103	REF			N2		ZSZ-B6 VN111-VN114 VN118-VN122 VNL24-VN127 VNI33-VN137 VS246-VS248	
292Z			D04347J	61		34-43-15	SM00104	REF			N2		VN242-VN243 VS091-VS094	
292Z			D04347J	61		34-43-15	SM00103	REF			N2		VN651-VN658	
292Z			D04347J	61		34-43-15	SM00103	REF			N2		VS261-VS262	
292Z			D04347J	61		34-43-15	SM00103	REF			N2		VA301-VA315 VK031-VK056 VR471-VR471	
294	22	PA	D00823	10		27-32-12	SM00082			W	N2	2	ZSZ-B6 VK031-VK056 VR471-VR471	
296	22	PA	D01381	10		27-32-22	SM00085			W	N2	2	ZSZ-B6 VA001-VB410 VB421-VE180 VF001-VF011 VF021-VF110 VF161-VF180 VK001-VK180 VL001-VL040 VL701-VL790 VL796-VL805 VL891-VL930 VM999-VN095 VN111-VN173 VN191-VN340 VN371-VN656 VN671-VN960 VN966-VN967 VN971-VN990 VR401-VR401 VR421-VR421 VR426-VR427 VR471-VR471 VS051-VS052 VS066-VS070 VS073-VS073 VS196-VS199 VS246-VS248 VS266-VS268	
301	20	UA	SM00028	REF		31-51-11	GDX0005	S..		2	N2	3	VF251-VF260 VK181-VK190 VL806-VL810 VL871-VL880 VL931-VL945 VN096-VN110 VN174-VN190 VN657-VN670 VN968-VN970 VR461-VR461 VS061-VS061 VS091-VS094 VS111-VS111 VS131-VS132 VS176-VS177 VS186-VS187 VS206-VS207 VS261-VS262	

286T0045-101
Wire Bundle Assembly
Figure 101 (Sheet 187)

25-71-02



BOEING
COMPONENT
MAINTENANCE MANUAL

WIRE			FROM EQUIPMENT			TO EQUIPMENT			WIRE INFO					
NUMBER	GA	TYP	NUMBER	TERM	TT	WD	REF	NUMBER	TERM	TT	EMC/ SEP	FT	NOTE	EFFECTIVITY
301	20	UA	SM00028	REF		31-51-11		GDX0005	S..	2	N2	1		VA001-VB410 VB421-VE180 VF001-VF011 VF021-VF110 VF161-VF180 VK001-VK180 VL001-VL040 VL701-VL790 VL796-VL805 VL891-VL930 VM999-VN095 VN111-VN173 VN191-VN340 VN371-VN656 VM671-VN960 VM966-VN967 VN971-VN990 VR401-VR401 VR421-VR421 VR426-VR427 VR471-VR471 VS051-VS052 VS066-VS070 VS073-VS073 VS196-VS199 VS246-VS248 VS266-VS268
301B	22	PS	D00811	57		31-51-11		SM00028	W		N2	3		VF251-VF260 VK181-VK190 VL806-VL810 VL871-VL880 VL931-VL945 VN096-VN110 VN174-VN190 VM657-VN670 VN968-VN970 VR461-VR461 VS111-VS111 VS131-VS132 VS177-VS177 VS186-VS187 VS206-VS207
301B	22	PS	D00811	57		31-51-11		SM00028	W		N2	2		VS061-VS061 VS091-VS094 VS176-VS176 VS261-VS262
301B	22	PS	D00811	57		31-51-11		SM00028	W		N2	2		
301R	22	PS	D00811	38		31-51-11		SM00028	W		N2			
301Y	22	PS	D00811	58		31-51-11		SM00028	W		N2			
301Z			D00811	DED		31-51-11		SM00028	REF		N2			VA001-VB410 VB421-VE180 VF001-VF011 VF021-VF110 VF161-VF180 VK001-VK180 VL001-VL040 VL701-VL790 VL796-VL805 VL891-VL930 VM999-VN095 VN111-VN173 VN191-VN340 VN371-VN656 VM671-VN960 VM966-VN967 VN971-VN990 VR401-VR401 VR421-VR421 VR426-VR427 VR471-VR471 VS051-VS052 VS066-VS070 VS073-VS073 VS196-VS199 VS246-VS248 VS266-VS268
302B	22	PS	D00811	42		31-51-11		SM00029	W		N2	3		VF251-VF260 VK181-VK190 VL806-VL810 VL871-VL880 VL931-VL945 VN096-VN110 VN174-VN190 VM657-VN670 VN968-VN970 VR461-VR461 VS111-VS111 VS131-VS132 VS177-VS177 VS186-VS187 VS206-VS207

286T0045-101
Wire Bundle Assembly
Figure 101 (Sheet 188)

25-71-02

WIRE		FROM EQUIPMENT			TO EQUIPMENT			WIRE INFO		
NUMBER	CA TYP	NUMBER	TERM TT	WD REF	NUMBER	TERM TT	EMC/SEP	FT	NOTE	EFFECTIVITY
302B	22 PS	D00811	42	31-51-11	SM00029	W	N2	2		VS061-VS061 VS091-VS094 VS176-VS176 VS261-VS262
302B	22 PS	D00811	42	31-51-11	SM00029	W	N2	2		VVA001-VB410 VB421-VE180 VF001-VF011 VF021-VF110
302R	22 PS	D00811	41	31-51-11	SM00029	W	N2			VF161-VF180 VK001-VK180 VL001-VL040 VL701-VL790
302Y	22 PS	D00811	43	31-51-11	SM00029	W	N2			VL796-VL805 VL891-VL930 VM999-VN095 VN111-VN173
302Z	22 PS	D00811	DED	31-51-11	SM00028 REF		N2			VN191-VN340 VN371-VN656 VN671-VN960 VN966-VN967
										VN971-VN990 VR401-VR401 VR421-VR421 VR426-VR427
										VR471-VR471 VS051-VS052 VS066-VS070 VS073-VS073
										VS196-VS199 VS246-VS248 VS266-VS268
303B	22 PS	D00811	8	31-51-11	SM00026	W	N2	3		VF251-VF260 VK181-VK190 VL806-VL810 VL871-VL880
										VL931-VL945 VN096-VN110 VN174-VN190 VN657-VN670
										VN968-VN970 VR461-VR461 VS111-VS111 VS131-VS132
										VS177-VS177 VS186-VS187 VS206-VS207
303B	22 PS	D00811	8	31-51-11	SM00026	W	N2	2		VS061-VS061 VS091-VS094 VS176-VS176 VS261-VS262
303B	22 PS	D00811	8	31-51-11	SM00026	W	N2	2		
303R	22 PS	D00811	7	31-51-11	SM00026	W	N2			VVA001-VB410 VB421-VE180 VF001-VF011 VF021-VF110
303Y	22 PS	D00811	9	31-51-11	SM00026	W	N2			VF161-VF180 VK001-VK180 VL001-VL040 VL701-VL790
303Z	22 PS	D00811	DED	31-51-11	SM00028 REF		N2			VL796-VL805 VL891-VL930 VM999-VN095 VN111-VN173
										VN191-VN340 VN371-VN656 VN671-VN960 VN966-VN967
										VN971-VN990 VR401-VR401 VR421-VR421 VR426-VR427
										VR471-VR471 VS051-VS052 VS066-VS070 VS073-VS073
										VS196-VS199 VS246-VS248 VS266-VS268

286T0045-101
Wire Bundle Assembly
Figure 101 (Sheet 189)

25-71-02



COMPONENT
MAINTENANCE MANUAL

WIRE			FROM EQUIPMENT			TO EQUIPMENT			WIRE INFO		
NUMBER	GA	TYP	NUMBER	TERM TT	WD REF	NUMBER	TERM TT	EMC/SEP	FT	NOTE	EFFECTIVITY
304B	22	PS	D00811	25	31-51-11	SM00027	W	N2	3		VF251-VF260 VK181-VK190 VL806-VL810 VL871-VL880 VL931-VL945 VN096-VN110 VN174-VN190 VN657-VN670 VN968-VN970 VR461-VR461 VS111-VS111 VS131-VS132 VS177-VS177 VS186-VS187 VS206-VS207
304B	22	PS	D00811	25	31-51-11	SM00027	W	N2	2		VS061-VS061 VS091-VS094 VS176-VS176 VS261-VS262
304B	22	PS	D00811	25	31-51-11	SM00027	W	N2	2		
304R	22	PS	D00811	24	31-51-11	SM00027	W	N2			
304Y	22	PS	D00811	37	31-51-11	SM00027	W	N2			
304Z			D00811	DED	31-51-11	SM00028	REF	N2			VA001-VB410 VB421-VE180 VF001-VF011 VF021-VF110 VF161-VF180 VK001-VK011 VK021-VK180 VL001-VL040 VL701-VL790 VL796-VL805 VL911-VL930 VM999-VM095 VN111-VN173 VN191-VN340 VN371-VN656 VN671-VN960 VN966-VN967 VN971-VN990 VR401-VR401 VR421-VR421 VR426-VR427 VR471-VR471 VS051-VS052 VS066-VS070 VS073-VS073 VS196-VS199 VS246-VS248 VS266-VS268
305	20	UA	SM00030	REF	31-51-12	GDX0005	S..	N2	2		VF251-VF260 VL806-VL810 VL871-VL880 VL931-VL945 VN096-VN110 VN174-VN190 VN657-VN670 VN968-VN970 VS091-VS094 VS111-VS111 VS131-VS132 VS176-VS177 VS186-VS187 VS206-VS207 VS261-VS262
305	20	UA	SM00030	REF	31-51-12	GDX0005	S..	N2	1		VK012-VK020 VL891-VL910
305	20	UA	SM00030	REF	31-51-12	GDX0005	S..	N2	2		VK181-VK190 VR461-VR461
305	20	UA	SM00030	REF	31-51-12	GDX0005	S..	N2	1		VS061-VS061

286T0045-101
Wire Bundle Assembly
Figure 101 (Sheet 190)

25-71-02



COMPONENT
MAINTENANCE MANUAL

WIRE		FROM EQUIPMENT			TO EQUIPMENT			WIRE INFO						
NUMBER	GA	TYP	NUMBER	TERM	TT	WD	REF	NUMBER	TERM	TT	EMC/SEP	FT	NOTE	EFFECTIVITY
305	20	UA	SM00033	REF		31-51-12		GDX0005	S..	2	N2	1		VA001-VB410 VB421-VE180 VF001-VF011 VF021-VF110 VF161-VF180 VK001-VK180 VL001-VL040 VL701-VL790 VL796-VL805 VL891-VL930 VM999-VN095 VN111-VN173 VN191-VN340 VN371-VN656 VN671-VN960 VN966-VN967 VN971-VN990 VR401-VR401 VR421-VR421 VR426-VR427 VR471-VR471 VS051-VS052 VS066-VS070 VS073-VS073 VS196-VS199 VS246-VS248 VS266-VS268
305B	22	PS	D00813	8		31-51-12		SM00030	W		N2	4		VF251-VF260 VK181-VK190 VL806-VL810 VL871-VL880 VL931-VL945 VN996-VN110 VN174-VN190 VN657-VN670 VN968-VN970 VR461-VR461 VS111-VS111 VS131-VS132 VS177-VS177 VS186-VS187 VS206-VS207
305B	22	PS	D00813	8		31-51-12		SM00030	W		N2	2		VS061-VS061 VS091-VS094 VS176-VS176 VS261-VS262
305B	22	PS	D00813	8		31-51-12		SM00030	W		N2	2		VA001-VB410 VB421-VE180 VF001-VF011 VF021-VF110 VF161-VF180 VF251-VF260 VK001-VK190 VL001-VL040 VL701-VL790 VL796-VL810 VL871-VL880 VL891-VL945 VM999-VN340 VN371-VN960 VN966-VN990 VR401-VR401 VR421-VR421 VR426-VR427 VR461-VR461 VR471-VR471 VS051-VS052 VS066-VS070 VS073-VS073 VS091-VS094 VS111-VS111 VS131-VS132 VS176-VS177 VS186-VS187 VS196-VS199 VS206-VS207 VS246-VS248 VS261-VS262 VS266-VS268
305R	22	PS	D00813	7		31-51-12		SM00030	W		N2			
305Y	22	PS	D00813	9		31-51-12		SM00030	W		N2			
305Z			D00813	DED		31-51-12		SM00030	REF		N2			VS061-VS061

286T0045-101
Wire Bundle Assembly
Figure 101 (Sheet 191)

25-71-02



BOEING
COMPONENT
MAINTENANCE MANUAL

WIRE		FROM EQUIPMENT			TO EQUIPMENT			WIRE INFO		
NUMBER	GA TYP	NUMBER	TERM TT	WD REF	NUMBER	TERM TT	EMC/SEP	FT	NOTE	EFFECTIVITY
305Z		D00813	DED	31-51-12	SM00030	DED	N2			VA001-VB410 VB421-VE180 VF001-VF011 VF021-VF110 VF161-VF180 VK001-VK180 VL001-VL040 VL701-VL790 VL796-VL805 VL891-VL930 VM999-VN095 VN111-VN173 VN191-VN340 VN371-VN656 VN671-VN960 VN966-VN967 VN971-VN990 VR401-VR401 VR421-VR421 VR426-VR427 VR471-VR471 VS051-VS052 VS066-VS070 VS073-VS073 VS196-VS199 VS246-VS248 VS266-VS268
306B	22 PS	D00813	25	31-51-12	SM00031	W	N2	4		VF251-VF260 VK181-VK190 VL806-VL810 VL871-VL880 VL931-VL945 VN096-VN110 VN174-VN190 VN657-VN670 VN968-VN970 VR461-VR461 VS111-VS111 VS131-VS132 VS177-VS177 VS186-VS187 VS206-VS207
306B	22 PS	D00813	25	31-51-12	SM00031	W	N2	2		VS061-VS061 VS091-VS094 VS176-VS176 VS261-VS262
306B	22 PS	D00813	25	31-51-12	SM00031	W	N2	2		VA001-VB410 VB421-VE180 VF001-VF011 VF021-VF110 VF161-VF180 VF251-VF260 VK001-VK190 VL001-VL040 VL701-VL790 VL796-VL810 VL871-VL880 VL891-VL945 VM999-VN340 VN371-VN960 VN966-VN990 VR401-VR401 VR421-VR421 VR426-VR427 VR461-VR461 VR471-VR471 VS051-VS052 VS066-VS070 VS073-VS073 VS091-VS094 VS111-VS111 VS131-VS132 VS176-VS177 VS186-VS187 VS196-VS199 VS206-VS207 VS246-VS248 VS261-VS262 VS266-VS268
306Z		D00813	DED	31-51-12	SM00030	REF	N2			VS061-VS061

286T0045-101
Wire Bundle Assembly
Figure 101 (Sheet 192)

25-71-02

TESTING & TROUBLE SHOOTING
01 Page 122Q
Nov 01/02



COMPONENT
MAINTENANCE MANUAL

WIRE		FROM EQUIPMENT			TO EQUIPMENT			WIRE INFO		
NUMBER	GA TYP	NUMBER	TERM TT	WD REF	NUMBER	TERM TT	EMC/SEP	FT	NOTE	EFFECTIVITY
306Z		D00813	DED	31-51-12	SM00031	DED	N2			VA001-VB410 VB421-VE180 VF001-VF011 VF021-VF110 VF161-VF180 VK001-VK180 VL001-VL040 VL701-VL790 VL796-VL805 VL891-VL930 VM999-VN095 VN111-VN173 VN191-VN340 VN371-VN656 VN671-VN960 VN966-VN967 VN971-VN990 VR401-VR401 VR421-VR421 VR426-VR427 VR471-VR471 VS051-VS052 VS066-VS070 VS073-VS073 VS196-VS199 VS246-VS248 VS266-VS268
307B	22 PS	D00813	57	31-51-12	SM00032		W N2	4		VF251-VF260 VK181-VK190 VL806-VL810 VL871-VL880 VL931-VL945 VN096-VN110 VN174-VN190 VM657-VN670 VN968-VN970 VR461-VR461 VS111-VS111 VS131-VS132 VS177-VS177 VS186-VS187 VS206-VS207
307B	22 PS	D00813	57	31-51-12	SM00032		W N2	2		VS061-VS061 VS091-VS094 VS176-VS176 VS261-VS262
307B	22 PS	D00813	57	31-51-12	SM00032		W N2	2		VA001-VB410 VB421-VE180 VF001-VF011 VF021-VF110 VF161-VF180 VF251-VF260 VK001-VK190 VL001-VL040 VL701-VL790 VL796-VL810 VL871-VL880 VL891-VL945 VM999-VN340 VN371-VN960 VN966-VN990 VR401-VR401 VR421-VR421 VR426-VR427 VR461-VR461 VR471-VR471 VS051-VS052 VS066-VS070 VS073-VS073 VS091-VS094 VS111-VS111 VS131-VS132 VS176-VS177 VS186-VS187 VS196-VS199 VS206-VS207 VS246-VS248 VS261-VS262 VS266-VS268
307Z		D00813	DED	31-51-12	SM00030	REF	N2			VS061-VS061

286T0045-101
Wire Bundle Assembly
Figure 101 (Sheet 193)

25-71-02



BOEING
COMPONENT
MAINTENANCE MANUAL

WIRE		FROM EQUIPMENT		TO EQUIPMENT		WIRE INFO				
NUMBER	GA TYP	NUMBER	TERM TT	WD REF	NUMBER	TERM TT	EMC/SEP	FT	NOTE	EFFECTIVITY
307Z		D00813	DED	31-51-12	SM00032	DED	N2			VA001-VB410 VB421-VE180 VF001-VF011 VF021-VF110 VF161-VF180 VK001-VK180 VL001-VL040 VL701-VL790 VL796-VL805 VL891-VL930 VM999-VN095 VN111-VN173 VN191-VN340 VN371-VN656 VN671-VN960 VN966-VN967 VN971-VN990 VR401-VR401 VR421-VR421 VR426-VR427 VR471-VR471 VS051-VS052 VS066-VS070 VS073-VS073 VS196-VS199 VS246-VS248 VS266-VS268
308B	22 PS	D00813	42	31-51-12	SM00033	W	N2	4		VF251-VF260 VK181-VK190 VL806-VL810 VL871-VL880 VL931-VL945 VN096-VN110 VN174-VN190 VM657-VN670 VN968-VN970 VR461-VR461 VS111-VS111 VS131-VS132 VS177-VS177 VS186-VS187 VS206-VS207
308B	22 PS	D00813	42	31-51-12	SM00033	W	N2	2		VS061-VS061 VS091-VS094 VS176-VS176 VS261-VS262
308B	22 PS	D00813	42	31-51-12	SM00033	W	N2	2		VA001-VB410 VB421-VE180 VF001-VF011 VF021-VF110 VF161-VF180 VK251-VF260 VK001-VK190 VL001-VL040 VL701-VL790 VL796-VL810 VL871-VL880 VL891-VL945 VM999-VN340 VN371-VN960 VN966-VN990 VR401-VR401 VR421-VR421 VR426-VR427 VR461-VR461 VR471-VR471 VS051-VS052 VS066-VS070 VS073-VS073 VS091-VS094 VS111-VS111 VS131-VS132 VS176-VS177 VS186-VS187 VS196-VS199 VS206-VS207 VS246-VS248 VS261-VS262 VS266-VS268
308Z		D00813	DED	31-51-12	SM00030	REF	N2			VS061-VS061
308Z		D00813	DED	31-51-12	SM00033	REF	N2			VN111-VN111
501	24 PK	D04509J	5	SPARE	D02261	CAP	N2	4		VN111-VN111
502	24 PK	D04509J	12	SPARE	D02261	CAP	N2	4		VL871-VL880
503	24 PK	D04347J	34	36-23-11	D02261	25	N2	2		VN111-VN150 VN821-VN920 VS246-VS248

286T0045-101
Wire Bundle Assembly
Figure 101 (Sheet 194)

25-71-02

WIRE		FROM EQUIPMENT			TO EQUIPMENT			WIRE INFO			
NUMBER	GA	TYP	NUMBER	TERM	WD	REF	NUMBER	TERM	FT	NOTE	EFFECTIVITY
				TT				SEP			
503	24	PK	D04347J	34	36-23-11		D02261	25	N2		VL871-VL880
504	24	PK	D04347J	35	36-23-11		D02261	22	N2		VN111-VN150 VN821-VN920 VS246-VS248
504	24	PK	D04347J	35	36-23-11		D02261	22	N2		VF071-VF090 VF171-VF179 VN163-VN170
505	22	PA	D02261	18	21-66-11		D04347J	56	N2		VF071-VF090 VF171-VF179 VN163-VN170
506	22	PA	D02261	51	21-66-11		D04347J	57	N2		VF071-VF090 VF171-VF179 VN163-VN170
507	22	PA	D02261	52	21-66-11		D04347J	58	N2		VF071-VF090 VN163-VN170
508	22	PA	D02261	19	21-66-41		D04347J	59	N2	ZSZ-B6	VN151-VN151 VN153-VN158
508	22	PA	D02261	19	21-66-41		D04347J	59	N2		VF071-VF090 VN163-VN170
509	22	PA	D02261	17	21-66-21		D04347J	60	N2		VL871-VL880
510	22	PA	D02261	36	79-32-11		D04301J	21	N2		VN111-VN111 VN116-VN117
510	22	PA	D02261	36	79-32-11		D04301J	21	N2		VN112-VN115
510	22	PA	D02261	36	79-32-11		D04301J	21	N2	MOT-F2	VN118-VN150 VN821-VN920 VS246-VS248
510	22	PA	D02261	36	79-32-11		D04301J	21	N2		VL871-VL880
511	22	PA	D02261	3	79-32-12		D04301J	22	N2		VN111-VN111 VN116-VN117
511	22	PA	D02261	3	79-32-12		D04301J	22	N2		VN112-VN115
511	22	PA	D02261	3	79-32-12		D04301J	22	N2	MOT-F2	VN118-VN150 VN821-VN920 VS246-VS248
511	22	PA	D02261	3	79-32-12		D04301J	22	N2		VAC02-VA020 VB001-VB002 VB101-VB125 VB281-VB284
512	24	PK	STA0265	CAP Y	27-81-31		D04349J	8	N2	ZSZ-B6	VB323-VB323 VE101-VE104 VE141-VE146 VK081-VK089
512	24	PK	D02261	CAP Y	27-81-31		D04349J	8	N2	MHA-F2	VA301-VA315 VA501-VA530 VA801-VA810 VB301-VB302
512	24	PK	D02261	CAP Y	27-81-31		D04349J	8	N2		VB371-VB373 VK001-VK011 VK021-VK022 VK031-VK045
512	24	PK	D02261	CAP Y	27-81-31		D04349J	8	N2		VL001-VL006 VL011-VL011 VN001-VN015
512	24	PK	D02261	20	27-81-31		D04349J	8	N2		VA531-VA700 VA720-VA800 VB285-VB300 VB402-VB410
											VB421-VB440 VB451-VD999 VE004-VE020 VE044-VE060
											VE070-VE082 VE105-VE115 VE137-VE140 VF003-VF010
											VF021-VF040 VF043-VF050 VK023-VK030 VL007-VL010
											VA701-VA719 VB201-VB202 VB251-VB253 VB321-VB322
											VB324-VB328 VB401-VB401 VE021-VE023 VE041-VE041
											VE061-VE069 VE083-VE085 VE121-VE126 VF001-VF002
											VF041-VF042 VN081-VN085

286T0045-101
Wire Bundle Assembly
Figure 101 (Sheet 195)

25-71-02



BOEING
COMPONENT
MAINTENANCE MANUAL

WIRE		FROM EQUIPMENT			TO EQUIPMENT			WIRE INFO		
NUMBER	GA TYP	NUMBER	TERM TT	WD REF	NUMBER	TERM TT	EMC / SEP	FT	NOTE	EFFECTIVITY
512	24 PK	STA0265	CAP Y	27-81-31	D04349J	8	N2	3	MHA-F2	VB3329-VB332 VE086-VE086 VF061-VF062 VF071-VF072 VF091-VF093 VK046-VK051 VK131-VK133 VK141-VK142 VN086-VN088 VN151-VN157 VN163-VN167 VN171-VN173 VN211-VN212 VN221-VN222 VN251-VN259 VN291-VN291 VN301-VN303 VN491-VN494
512	24 PK	D02261	20	27-81-31	D04349J	8	N2	3	MOT-F2	VE3333-VB3370 VB441-VB450 VE087-VE100 VE119-VE120 VE151-VE170 VE173-VE180 VF052-VF060 VF063-VF070 VF073-VF090 VF094-VF100 VF103-VF110 VF161-VF180 VK012-VK020 VK052-VK080 VK100-VK130 VK134-VK140 VK143-VK180 VL701-VL790 VL796-VL805 VL891-VL930 VM999-VM999 VN016-VN050 VN063-VN080 VN093-VN095 VN121-VN129 VN133-VN150 VN158-VN162 VN168-VN170 VN194-VN210 VN213-VN220 VN223-VN230 VN235-VN240 VN242-VN250 VN260-VN290 VN292-VN300 VN304-VN340 VN371-VN470 VN473-VN490 VN495-VN530 VN533-VN535 VN537-VN540 VN543-VN630 VN632-VN650 VN652-VN656 VN671-VN680 VN684-VN960 VN966-VN967 VN971-VN990 VR401-VR401 VR421-VR421 VR426-VR427 VR471-VR471 VS051-VS052 VS066-VS070 VS073-VS073 VS196-VS199 VS246-VS248 VS266-VS268
512	24 PK	D02261	20	27-81-31	D04349J	8	N2	3		VE147-VE150 VK090-VK099 VN089-VN092 VN191-VN193 VN471-VN472 VN651-VN651 VN681-VN683
512	24 PK	D02261	20	27-81-31	D04349J	8	N2	3	ZSZ-B6	VF251-VF260 VK181-VK190 VL806-VL810 VL871-VL880 VL931-VL945 VN096-VN110 VN174-VN190 VN657-VN670 VN968-VN970 VR461-VR461 VS061-VS061 VS091-VS094 VS111-VS111 VS131-VS132 VS176-VS177 VS186-VS187 VS206-VS207 VS261-VS262

286T0045-101
Wire Bundle Assembly
Figure 101 (Sheet 196)

25-71-02

TESTING & TROUBLE SHOOTING
01 Page 122U
Nov 01/02



COMPONENT
MAINTENANCE MANUAL

WIRE		FROM EQUIPMENT			TO EQUIPMENT			WIRE INFO		
NUMBER	GA TYP	NUMBER	TERM TT	WD REF	NUMBER	TERM TT	EMC/SEP	FT	NOTE	EFFECTIVITY
512	24 PK	D02261	20	27-81-31	D04349J	8	N2	2		VN231-VN234 VN531-VN531 VN536-VN536 VN541-VN541
512	24 PK	D02261	20	27-81-31	D04349J	8	N2	3	MOT-F2	VN532-VN532 VN542-VN542
512	24 PK	D02261	20	27-81-31	D04349J	8	N2	3	ZSZ-B6	VF180-VF180 VN371-VN375 VN428-VN435 VN951-VN960
513	24 PK	D00823	41	27-32-12	SM00082		N2	2		VN426-VN427
513	24 PK	D00823	REF #1	27-32-12	SM00082		N2	2		VF180-VF180 VN371-VN375 VN428-VN435 VN951-VN960
514	24 PK	D01381	41	27-32-22	SM00085		N2	2		VN426-VN427
514	24 PK	D01381	REF #1	27-32-22	SM00085		N2	2		VL891-VL910 VN122-VN129 VN133-VN150 VN821-VN920
515	24 PK	D02261	24	32-45-11	D04511J	9	N2	4		VS246-VS248
515	24 PK	D02261	24	32-45-11	D04511J	9	N2	4	MOT-F2	VN111-VN120 VN130-VN132
515	24 PK	D02261	24	32-45-11	D04511J	9	N2	4	ZSZ-B6	VN121-VN121
521	24 PV	D04509J	12	24-33-13	D02261	50	N2	3		VL891-VL910
521Z	20 PA	SM00060	DED	24-33-13	D02261	DED	N2			VL891-VL910
601	20 PA	SM00060	W	31-51-11	GDX0004	D..	N2			VA001-VB410 VB421-VE180 VF001-VF011 VF021-VF110
602	20 PA	SM00061	W	31-51-12	GDX0005	D..	N2			VF161-VF180 VK001-VK180 VL001-VL040 VL701-VL790
										VL796-VL805 VL891-VL930 VM999-VN095 VN111-VN173
										VN191-VN340 VN371-VN656 VN671-VN960 VN966-VN967
										VN971-VN990 VR401-VR401 VR421-VR421 VR426-VR427
										VR471-VR471 VS051-VS052 VS066-VS070 VS073-VS073
										VS196-VS199 VS246-VS248 VS266-VS268
603	24 PV	D04301J	5	31-51-12	M01103	INE D	N2	3		VF251-VF260 VK181-VK190 VL806-VL810 VL871-VL880
										VL931-VL945 VN096-VN110 VN174-VN190 VN657-VN670
										VN968-VN970 VR461-VR461 VS061-VS061 VS091-VS094
										VS111-VS111 VS131-VS132 VS176-VS177 VS186-VS187
										VS206-VS207 VS261-VS262

286T0045-101
Wire Bundle Assembly
Figure 101 (Sheet 197)

25-71-02



BOEING
COMPONENT
MAINTENANCE MANUAL

WIRE		FROM EQUIPMENT			TO EQUIPMENT			WIRE INFO					
NUMBER	GA	TYP	NUMBER	TERM	TT	WD REF	NUMBER	TERM	TT	EMC/SEP	FT	NOTE	EFFECTIVITY
603	24	PV	D04301J	5		31-51-12	M01103	INE	D	N2	1		VA001-VB301 VB303-VB410 VB421-VE180 VF001-VF011 VF021-VF110 VF161-VF180 VF251-VF260 VK001-VK180 VL001-VL040 VL701-VL790 VL796-VL810 VL871-VL880 VL891-VL945 VM999-VM340 VN371-VN960 VN966-VN990 VR401-VR401 VR421-VR421 VR426-VR427 VR471-VR471 VS051-VS052 VS061-VS061 VS066-VS070 VS073-VS073 VS091-VS094 VS111-VS111 VS131-VS132 VS176-VS177 VS186-VS187 VS196-VS199 VS206-VS207 VS246-VS248 VS261-VS262 VS266-VS268
603Z			D04301J	DED		31-51-12	M01103			N2			VB302-VB302 VK181-VK190 VR461-VR461
603Z			D04301J	DED		31-51-12	M01103	GND	D	N2			VA001-VB410 VB421-VE180 VF001-VF011 VF021-VF110 VF161-VF180 VK001-VK180 VL001-VL040 VL701-VL790 VL796-VL805 VL891-VL930 VM999-VN095 VN111-VN173 VN191-VN340 VN371-VN656 VN671-VN960 VN966-VN967 VN971-VN990 VR401-VR401 VR421-VR421 VR426-VR427 VR471-VR471 VS051-VS052 VS066-VS070 VS073-VS073 VS196-VS199 VS246-VS248 VS266-VS268
604	24	PV	D04301J	4		31-51-12	D00813			N2	5		VF251-VF260 VK181-VK190 VL806-VL810 VL871-VL880 VL931-VL945 VM096-VN110 VN174-VN190 VM657-VN670 VN968-VN970 VR461-VR461 VS111-VS111 VS131-VS132 VS177-VS177 VS186-VS187 VS206-VS207
604	24	PV	D04301J	4		31-51-12	D00813			N2	3		VS061-VS061 VS091-VS094 VS176-VS176 VS261-VS262
604	24	PV	D04301J	4		31-51-12	D00813			N2	3		

286T0045-101
Wire Bundle Assembly
Figure 101 (Sheet 198)

25-71-02



COMPONENT
MAINTENANCE MANUAL

WIRE		FROM EQUIPMENT			TO EQUIPMENT			WIRE INFO		
NUMBER	GA TYP	NUMBER	TERM FT	WD REF	NUMBER	TERM FT	EMC / SEP	FT	NOTE	EFFECTIVITY
604Z		D04301J	DED	31-51-12	D00813		N2			VA001-VB410 VB421-VE180 VF001-VF011 VF021-VF110 VF161-VF180 VK001-VK180 VL001-VL040 VL701-VL790 VL796-VL805 VL891-VL930 VM999-VN095 VN111-VN173 VN191-VN340 VN371-VN656 VN671-VN960 VN966-VN967 VN971-VN990 VR401-VR401 VR421-VR421 VR426-VR427 VR471-VR471 VS051-VS052 VS066-VS070 VS073-VS073 VS196-VS199 VS246-VS248 VS266-VS268
605	24 PV	D00813	1	31-51-12	M01103	OAD	N2	4		VF251-VF260 VK181-VK190 VL806-VL810 VL871-VL880 VL931-VL945 VN096-VN110 VN174-VN190 VN657-VN670 VN968-VN970 VR461-VR461 VS111-VS111 VS131-VS132 VS177-VS177 VS186-VS187 VS206-VS207
605	24 PV	D00813	1	31-51-12	M01103	OAD	N2	3		VS061-VS061 VS091-VS094 VS176-VS176 VS261-VS262
605	24 PV	D00813	1	31-51-12	M01103	OAD	N2	3		VA001-VB410 VB421-VE180 VF001-VF011 VF021-VF110 VF161-VF180 VF251-VF260
605Z		D00813		31-51-12	M01103	DED	N2			VK001-VK190 VL001-VL040 VL701-VL790 VL796-VL810 VL871-VL880 VL891-VL945 VM999-VN340 VN371-VN960 VN966-VN990 VR401-VR401 VR421-VR421 VR426-VR427 VR461-VR461 VR471-VR471 VS051-VS052 VS061-VS061 VS066-VS070 VS073-VS073 VS091-VS094 VS111-VS111 VS131-VS132 VS176-VS177 VS186-VS187 VS196-VS199 VS206-VS207 VS246-VS248 VS261-VS262 VS266-VS268

286T0045-101
Wire Bundle Assembly
Figure 101 (Sheet 199)

25-71-02



BOEING
COMPONENT
MAINTENANCE MANUAL

WIRE		FROM EQUIPMENT		TO EQUIPMENT		WIRE INFO	
NUMBER	GA TYP	NUMBER	TERM FT	NUMBER	TERM FT	EMC / SEP	NOTE
605Z		D00813		M01103	DED	N2	VA001-VA001 VA021-VA300 VA316-VA500 VA520-VA800 VA811-VB300 VB302-VB370 VB374-VB410 VB421-VE020 VE024-VE100 VE104-VE180 VF001-VF011 VF021-VF110 VF161-VF180 VK001-VK180 VL001-VL040 VL701-VL790 VL796-VL805 VL891-VL930 VM999-VN095 VN111-VN173 VN191-VN340 VN371-VN656 VN671-VN960 VN966-VN967 VN971-VN990 VR401-VR401 VR421-VR421 VR426-VR427 VR471-VR471 VS051-VS052 VS066-VS070 VS073-VS073 VS196-VS199 VS246-VS248 VS266-VS268
606	24 PV	D04349J	32	M01102	INE D	N2 3	VA002-VA020 VA301-VA315 VA501-VA519 VA801-VA810 VB301-VB301 VB371-VB373 VE021-VE023 VE101-VE103
606	24 PV	D04349J	32	M01102	INE D	N2 3	VF251-VF260 VK181-VK190 VL806-VL810 VL871-VL880 VL931-VL945 VN096-VN110 VN174-VN190 VN657-VN670 VN968-VN970 VR461-VR461 VS061-VS061 VS091-VS094 VS111-VS111 VS131-VS132 VS176-VS177 VS186-VS187 VS206-VS207 VS261-VS262
606	24 PV	D04349J	32	M01102	INE D	N2 1	VA001-VB301 VB303-VB410 VB421-VE180 VF001-VF011 VF021-VF110 VF161-VF180 VF251-VF260 VK001-VK180 VL001-VL040 VL701-VL790 VL796-VL810 VL871-VL880 VL891-VL945 VM999-VN340 VN371-VN960 VN966-VN990 VR401-VR401 VR421-VR421 VR426-VR427 VR471-VR471 VS051-VS052 VS061-VS061 VS066-VS070 VS073-VS073 VS091-VS094 VS111-VS111 VS131-VS132 VS176-VS177 VS186-VS187 VS196-VS199 VS206-VS207 VS246-VS248 VS261-VS262 VS266-VS268
606Z		D04349J	DED	M01102		N2	VB302-VB302 VK181-VK190 VR461-VR461

286T0045-101
Wire Bundle Assembly
Figure 101 (Sheet 200)

25-71-02

WIRE		FROM EQUIPMENT			TO EQUIPMENT			WIRE INFO		
NUMBER	GA TYP	NUMBER	TERM TT	WD REF	NUMBER	TERM TT	EMC/SEP	FT	NOTE	EFFECTIVITY
606Z		D04349J	DED	31-51-11	M01102	GND	D	N2		VA001-VA001 VA021-VA300 VA316-VA500 VA520-VA800 VA811-VB300 VB302-VB370 VB374-VB410 VB421-VE020 VE024-VE100 VE104-VE180 VF001-VF011 VF021-VF110 VF161-VF180 VK001-VK180 VL001-VL040 VL701-VL790 VL796-VL805 VL891-VL930 VM999-VN095 VN111-VN173 VN191-VN340 VN371-VN656 VN671-VN960 VN966-VN967 VN971-VN990 VR401-VR401 VR421-VR421 VR426-VR427 VR471-VR471 VS051-VS052 VS066-VS070 VS073-VS073 VS196-VS199 VS246-VS248 VS266-VS268
607	24 PV	D04349J	33	31-51-11	D00811	4	N2	5		VA002-VA020 VA301-VA315 VA501-VA519 VA801-VA810 VB301-VB301 VB371-VB373 VE021-VE023 VE101-VE103
607	24 PV	D04349J	33	31-51-11	D00811	4	N2	5	MZK-F2	VF251-VF260 VK181-VK190 VL806-VL810 VL871-VL880 VL931-VL945 VN096-VN110 VN174-VN190 VN657-VN670 VN968-VN970 VR461-VR461 VS111-VS111 VS131-VS132 VS177-VS177 VS186-VS187 VS206-VS207
607	24 PV	D04349J	33	31-51-11	D00811	4	N2	3		VS061-VS061 VS091-VS094 VS176-VS176 VS261-VS262
607	24 PV	D04349J	33	31-51-11	D00811	4	N2	3		VA001-VB410 VB421-VE180 VF001-VF011 VF021-VF110 VF161-VF180 VK001-VK180 VL001-VL040 VL701-VL790 VL796-VL805 VL891-VL930 VM999-VN095 VN111-VN173 VN191-VN340 VN371-VN656 VN671-VN960 VN966-VN967 VN971-VN990 VR401-VR401 VR421-VR421 VR426-VR427 VR471-VR471 VS051-VS052 VS066-VS070 VS073-VS073 VS196-VS199 VS246-VS248 VS266-VS268
607Z		D04349J	DED	31-51-11	D00811		N2			

 286T0045-101
 Wire Bundle Assembly
 Figure 101 (Sheet 201)

25-71-02



BOEING
COMPONENT
MAINTENANCE MANUAL

WIRE		FROM EQUIPMENT			TO EQUIPMENT			WIRE INFO		
NUMBER	GA TYP	NUMBER	TERM TT	WD REF	NUMBER	TERM TT	EMC/SEP	FT	NOTE	EFFECTIVITY
608	24 PV	D00811	1	31-51-11	M01102	OAD D	N2	5		VF251-VF260 VK181-VK190 VL806-VL810 VL871-VL880 VL931-VL945 VN096-VN110 VN174-VN190 VN657-VN670 VN968-VN970 VR461-VR461 VS111-VS111 VS131-VS132 VS177-VS177 VS186-VS187 VS206-VS207
608	24 PV	D00811	1	31-51-11	M01102	OAD D	N2	3		VS061-VS061 VS091-VS094 VS176-VS176 VS261-VS262
608	24 PV	D00811	1	31-51-11	M01102	OAD D	N2	3		VK001-VK006 VK021-VK022
608Z	24 PV	D00811	1	31-51-11	M01102	DED W	N2	2		VK023-VK054
609	24 PK	D00823	42	27-32-12	SM00082	DED W	N2	2		VA001-VA001 VA701-VA712 VB001-VB002 VB051-VB055 VB201-VB202 VB281-VB284 VB321-VB322 VB401-VB401 VE041-VE043 VE061-VE068 VE116-VE116
609	24 PK	D00823	44	27-32-12	SM00082	DED W	N2	2		
610	24 PK	D00823	6	27-32-11	SM00050	DED W	N2	3		VA002-VA020 VA301-VA315 VA501-VA519 VA801-VA810 VB101-VB123 VB301-VB301 VB371-VB373 VE021-VE023 VE101-VE103
610	24 PK	D00823	37	27-32-11	SM00050	DED W	N2	3	MZK-F2	VA021-VA300 VA316-VA500 VA520-VA700 VA713-VA800 VA811-VA999 VB003-VB050 VB056-VB100 VB124-VB200 VB203-VB280 VB285-VB300 VB303-VB320 VB323-VB370 VB374-VB400 VB402-VB410 VB421-VE020 VE024-VE040 VE044-VE060 VE069-VE100 VE104-VE115 VE117-VE180 VF001-VF011 VF021-VF110 VF161-VF180 VK001-VK180 VL001-VL040 VL701-VL790 VL796-VL805 VL891-VL930 VM999-VN095 VN111-VN173 VN191-VN340 VN371-VN656 VN671-VN960 VN966-VN967 VN971-VN990 VR401-VR401 VR421-VR421 VR426-VR427 VR471-VR471 VS051-VS052 VS066-VS070 VS073-VS073 VS196-VS199 VS246-VS248 VS266-VS268

286T0045-101
Wire Bundle Assembly
Figure 101 (Sheet 202)

25-71-02

WIRES		FROM EQUIPMENT			TO EQUIPMENT			WIRES INFO		
NUMBER	GA TYP	NUMBER	TERM TT	WD REF	NUMBER	TERM TT	EMC/SEP	FT	NOTE	EFFECTIVITY
610	24 PK	D00823	37	27-32-11	SM00050	W	N2	3		VF251-VF260 VK181-VK190 VL806-VL810 VL871-VL880 VL931-VL945 VN096-VN110 VN174-VN190 VN657-VN670 VN968-VN970 VR461-VR461 VS061-VS061 VS091-VS094 VS111-VS111 VS131-VS132 VS176-VS177 VS186-VS187 VS206-VS207 VS261-VS262
610	24 PK	D00823	37	27-32-11	SM00050	W	N2	1		VA001-VA001 VA021-VA300 VA316-VA500 VA520-VA800 VA811-VB300 VB302-VB370 VB374-VB410 VB421-VE020 VE024-VE100 VE104-VE180 VF001-VF011 VF021-VF110 VF161-VF180 VK001-VK180 VL001-VL040 VL701-VL790 VL796-VL805 VL891-VL930 VM999-VM095 VN111-VN173 VN191-VN340 VN371-VN656 VN671-VN960 VN966-VN967 VN971-VN990 VR401-VR401 VR421-VR421 VR426-VR427 VR471-VR471 VS051-VS052 VS066-VS070 VS073-VS073 VS196-VS199 VS246-VS248 VS266-VS268
611	24 PK	D01433	6	31-51-42	D04347J	20	N2	3		VA002-VA020 VA301-VA315 VA501-VA519 VA801-VA810 VB301-VB301 VB371-VB373 VE021-VE023 VE101-VE103
611	24 PK	D01433	6	31-51-42	D04347J	20	N2	3	MZK-T2	VF251-VF260 VK181-VK190 VL806-VL810 VL871-VL880 VL931-VL945 VN096-VN110 VN174-VN190 VN657-VN670 VN968-VN970 VR461-VR461 VS061-VS061 VS091-VS094 VS111-VS111 VS131-VS132 VS176-VS177 VS186-VS187 VS206-VS207 VS261-VS262

286T0045-101
Wire Bundle Assembly
Figure 101 (Sheet 203)

25-71-02



BOEING
COMPONENT
MAINTENANCE MANUAL

WIRE			FROM EQUIPMENT			TO EQUIPMENT			WIRE INFO				
NUMBER	GA	TYP	NUMBER	TERM	TT	WD REF	NUMBER	TERM	TT	EMC/SEP	FT	NOTE	EFFECTIVITY
611	24	PK	D01433	6		31-51-42	D04347J	20		N2	2		VA001-VA410 VB421-VE180 VF001-VF011 VF021-VF110 VF161-VF180 VK001-VK180 VL001-VL040 VL701-VL790 VL796-VL805 VL891-VL930 VM999-VN095 VN111-VN173 VN191-VN340 VN371-VN656 VN671-VN960 VN966-VN967 VN971-VN990 VR401-VR401 VR421-VR421 VR426-VR427 VR471-VR471 VS051-VS052 VS066-VS070 VS073-VS073 VS196-VS199 VS246-VS248 VS266-VS268
612	24	PK	D01433	4		31-51-42	SM00050		W	N2	3		VF251-VF260 VK181-VK190 VL806-VL810 VL871-VL880 VL931-VL945 VN096-VN110 VN174-VN190 VN657-VN670 VN968-VN970 VR461-VR461 VS061-VS061 VS091-VS094 VS111-VS111 VS131-VS132 VS176-VS177 VS186-VS187 VS206-VS207 VS261-VS262
612	24	PK	D01433	4		31-51-42	SM00050		W	N2	1		VA001-VA001 VA021-VA300 VA316-VA500 VA520-VA800 VA811-VB300 VB302-VB370 VB374-VB410 VB421-VE020 VE024-VE100 VE104-VE180 VF001-VF011 VF021-VF110 VF161-VF180 VK001-VK180 VL001-VL040 VL701-VL790 VL796-VL805 VL891-VL930 VM999-VN095 VN111-VN173 VN191-VN340 VN371-VN656 VN671-VN960 VN966-VN967 VN971-VN990 VR401-VR401 VR421-VR421 VR426-VR427 VR471-VR471 VS051-VS052 VS066-VS070 VS073-VS073 VS196-VS199 VS246-VS248 VS266-VS268
613	24	PK	D04349J	30		31-51-31	SM00065		W	N2	3		VA002-VA020 VA301-VA315 VA501-VA519 VA801-VA810 VB301-VB301 VB371-VB373 VE021-VE023 VE101-VE103

286T0045-101
Wire Bundle Assembly
Figure 101 (Sheet 204)

25-71-02

WIRE		FROM EQUIPMENT			TO EQUIPMENT			WIRE INFO						
NUMBER	GA	TYP	NUMBER	TERM	TT	WD	REF	NUMBER	TERM	TT	EMC/ SEP	FT	NOTE	EFFECTIVITY
613	24	PK	D04349J	30		31-51-31	SM00065				W	N2	3	MZK-F2 VF251-VF260 VK181-VK190 VL806-VL810 VL871-VL880 VL931-VL945 VN096-VN110 VN174-VN190 VN657-VN670 VN968-VN970 VR461-VR461 VS061-VS061 VS091-VS094 VS111-VS111 VS131-VS132 VS176-VS177 VS186-VS187 VS206-VS207 VS261-VS262
613	24	PK	D04349J	30		31-51-31	SM00065				W	N2	1	VA001-VB410 VB421-VD999 VE004-VE180 VF001-VF011 VF021-VF110 VF161-VF180 VK001-VK180 VL001-VL040 VL701-VL790 VL796-VL805 VL891-VL930 VM999-VN095 VN111-VN173 VN191-VN340 VN371-VN656 VN671-VN960 VN966-VN967 VN971-VN990 VR401-VR401 VR421-VR421 VR426-VR427 VR471-VR471 VS051-VS052 VS066-VS070 VS073-VS073 VS196-VS199 VS246-VS248 VS266-VS268
614	24	PK	D01487	52		31-51-31	SM00065				W	N2	3	VE001-VE003 VF251-VF260 VK181-VK190 VL806-VL810 VL871-VL880 VL931-VL945 VN096-VN110 VN174-VN190 VN657-VN670 VN968-VN970 VR461-VR461 VS061-VS061 VS091-VS094 VS111-VS111 VS131-VS132 VS176-VS177 VS186-VS187 VS206-VS207 VS261-VS262
614	24	PK	D01487	52		31-51-31	SM00065				W	N2	1	VA001-VB410 VB421-VE180 VF001-VF011 VF021-VF110 VF161-VF180 VK001-VK180 VL001-VL040 VL701-VL790 VL796-VL805 VL891-VL930 VM999-VN095 VN111-VN173 VN191-VN340 VN371-VN656 VN671-VN960 VN966-VN967 VN971-VN990 VR401-VR401 VR421-VR421 VR426-VR427 VR471-VR471 VS051-VS052 VS066-VS070 VS073-VS073 VS196-VS199 VS246-VS248 VS266-VS268

 286T0045-101
 Wire Bundle Assembly
 Figure 101 (Sheet 205)

25-71-02



BOEING
COMPONENT
MAINTENANCE MANUAL

WIRE		FROM EQUIPMENT			TO EQUIPMENT			WIRE INFO		
NUMBER	GA TYP	NUMBER	TERM TT	WD REF	NUMBER	TERM TT	EMC / SEP	FT	NOTE	EFFECTIVITY
615	24 PK	D00817	52	31-51-32	SM00065	W	N2	3		VF251-VF260 VK181-VK190 VL806-VL810 VL871-VL880 VL931-VL945 VN096-VN110 VN174-VN190 VN657-VN670 VN968-VN970 VR461-VR461 VS061-VS061 VS091-VS094 VS111-VS111 VS131-VS132 VS176-VS177 VS186-VS187 VS206-VS207 VS261-VS262
615	24 PK	D00817	52	31-51-32	SM00065	W	N2	1		VA801-VA999
616	20 PA	SM00070	W	31-51-31	GDX0004	S..	N2	3		VA002-VA020 VA301-VA315 VA501-VA519 VA801-VA810 VB251-VB253 VB301-VB302 VB323-VB324 VB371-VB373 VE001-VE002 VE021-VE023 VE101-VE103
617	24 PK	D01381	11	27-32-12	D00823	56	N2	2	MOT-B2	VA021-VA300 VA316-VA500 VA520-VA700 VA713-VA800 VA811-VA999 VB003-VB050 VB056-VB200 VB203-VB250 VB254-VB280 VB385-VB300 VB303-VB320 VB325-VB370 VB374-VB400 VB402-VB410 VB421-VD999 VE003-VE020 VE024-VE040 VE044-VE060 VE069-VE100 VE104-VE115 VE118-VE180 VF001-VF011 VF021-VF110 VF161-VF180 VK001-VK180 VL001-VL040 VL701-VL790 VL796-VL805 VL891-VL930 VM999-VN095 VN111-VN173 VN191-VN340 VN371-VN656 VN671-VN960 VN966-VN967 VN971-VN990 VR401-VR401 VR421-VR421 VR426-VR427 VR471-VR471 VS051-VS052 VS066-VS070 VS073-VS073 VS196-VS199 VS246-VS248 VS266-VS268
617	24 PK	D01381	11	27-32-12	D00823	56	N2	2		VE117-VE117
617	24 PK	D01381	11	27-32-12	D00823	56	N2	5	MOT-B2	VF251-VF260 VK181-VK190 VL806-VL810 VL871-VL880 VL931-VL945 VN096-VN110 VN174-VN190 VN657-VN670 VN968-VN970 VR461-VR461 VS061-VS061 VS091-VS094 VS111-VS111 VS131-VS132 VS176-VS177 VS186-VS187 VS206-VS207 VS261-VS262

286T0045-101
Wire Bundle Assembly
Figure 101 (Sheet 206)

25-71-02

WIRE		FROM EQUIPMENT			TO EQUIPMENT			WIRE INFO		
NUMBER	GA TYP	NUMBER	TERM TT	WD REF	NUMBER	TERM TT	EMC/SEP	FT	NOTE	EFFECTIVITY
617	24 PK	D01381	11	27-32-12	D00823	56	N2	1		VA002-VA020 VA301-VA315 VA501-VA519 VA801-VA810 VB101-VB123 VB251-VB253 VB301-VB302 VB323-VB324 VB371-VB373 VE001-VE002 VE021-VE023 VE101-VE103
	24 PK	D01381	56	27-32-12	D00823	11	N2	2	MOT-B2	VA021-VA300 VA316-VA500 VA520-VA700 VA713-VA800 VA811-VA999 VB003-VB050 VB056-VB100 VB124-VB200 VB203-VB250 VB254-VB280 VB285-VB300 VB303-VB320 VB325-VB370 VB374-VB400 VB402-VB410 VB421-VB999 VE003-VE020 VE024-VE040 VE044-VE060 VE069-VE100 VE104-VE115 VE118-VE180 VF001-VF011 VF021-VF110 VF161-VF180 VK001-VK180 VL001-VL040 VL701-VL790 VL796-VL805 VL891-VL930 VM999-VN095 VN111-VN173 VN191-VN340 VN371-VN656 VN671-VN960 VN966-VN967 VN971-VN990 VR401-VR401 VR421-VR421 VR426-VR427 VR471-VR471 VS051-VS052 VS066-VS070 VS073-VS073 VS196-VS199 VS246-VS248 VS266-VS268
618	24 PK	D01381	56	27-32-12	D00823	11	N2	2		VE117-VE117
	24 PK	D01381	56	27-32-12	D00823	11	N2	5	MOT-B2	VF251-VF260 VK181-VK190 VL806-VL810 VL871-VL880 VL931-VL945 VN096-VN110 VN174-VN190 VN657-VN670 VN968-VN970 VR461-VR461 VS061-VS061 VS091-VS094 VS111-VS111 VS131-VS132 VS176-VS177 VS186-VS187 VS206-VS207 VS261-VS262
618	24 PK	D01381	56	27-32-12	D00823	11	N2	1		VA002-VA020 VA301-VA315 VA501-VA519 VA801-VA810 VB101-VB123 VB251-VB253 VB301-VB302 VB323-VB324 VB371-VB373 VE001-VE002 VE021-VE023 VE101-VE103

286T0045-101
Wire Bundle Assembly
Figure 101 (Sheet 207)

25-71-02



BOEING
COMPONENT
MAINTENANCE MANUAL

WIRE		FROM EQUIPMENT		TO EQUIPMENT		WIRE INFO				
NUMBER	GA TYP	NUMBER	TERM TT	WD REF	NUMBER	TERM TT	EMC/SEP	FT	NOTE	EFFECTIVITY
619	24 PK	D00823	45	27-32-12	SM00082		W N2	2	MOT-F2	VA021-VA300 VA316-VA500 VA520-VA700 VA713-VA800 VA811-VA999 VB003-VB050 VB056-VB100 VB124-VB200 VB203-VB250 VB254-VB280 VB285-VB300 VB303-VB320 VB325-VB370 VB374-VB400 VB402-VB410 VB421-VD999 VE003-VE020 VE024-VE040 VE044-VE060 VE069-VE100 VE104-VE115 VE118-VE180 VE001-VF011 VF021-VF060 VF063-VF110 VF161-VF180 VK001-VK180 VL001-VL040 VL701-VL790 VL796-VL805 VL891-VL930 VM999-VN095 VN111-VN173 VN191-VN340 VN371-VN656 VN671-VN960 VN966-VN967 VN971-VN990 VR401-VR401 VR421-VR421 VR426-VR427 VR471-VR471 VS051-VS052 VS066-VS070 VS073-VS073 VS196-VS199 VS246-VS248 VS266-VS268
619	24 PK	D00823	45	27-32-12	SM00082		W N2	2		VE117-VE117
619	24 PK	D00823	45	27-32-12	SM00082		W N2	5	MOT-F2	VF061-VF062
619	24 PK	D00823	45	27-32-12	SM00082		W N2	2	MZK-T2	VF251-VF260 VK181-VK190 VL806-VL810 VL871-VL880 VL931-VL945 VN096-VN110 VN174-VN190 VN657-VN670 VN968-VN970 VR461-VR461 VS061-VS061 VS091-VS094 VS111-VS111 VS131-VS132 VS176-VS177 VS186-VS187 VS206-VS207 VS261-VS262
619	24 PK	D00823	45	27-32-12	SM00082		W N2	1		VA001-VA001 VA021-VA300 VA316-VA500 VA520-VA800 VA811-VB300 VB302-VB370 VB374-VB410 VB421-VE020 VE024-VE100 VE104-VE180 VF001-VF011 VF021-VF110 VF161-VF180 VK001-VK180 VL001-VL040 VL701-VL790 VL796-VL805 VL891-VL930 VM999-VN095 VN111-VN173 VN191-VN340 VN371-VN656 VN671-VN960 VN966-VN967 VN971-VN990 VR401-VR401 VR421-VR421 VR426-VR427 VR471-VR471 VS051-VS052 VS066-VS070 VS073-VS073 VS196-VS199 VS246-VS248 VS266-VS268

286T0045-101
Wire Bundle Assembly
Figure 101 (Sheet 208)

25-71-02

WIRE		FROM EQUIPMENT			TO EQUIPMENT			WIRE INFO					
NUMBER	GA	TYP	NUMBER	TERM	TT	WD REF	NUMBER	TERM	TT	EMC/SEP	FT	NOTE	EFFECTIVITY
620	24	PK	D04349J	29		31-51-21	SM00071			N2	3		VA002-VA020 VA301-VA315 VA501-VA519 VA801-VA810 VB301-VB301 VB371-VB373 VE021-VE023 VE101-VE103
620	24	PK	D04349J	29		31-51-21	SM00071			N2	3	MZK-P2	VF251-VF260 VK181-VK190 VL806-VL810 VL871-VL880 VL931-VL945 VN096-VN110 VN174-VN190 VN657-VN670 VN968-VN970 VR461-VR461 VS061-VS061 VS091-VS094 VS111-VS111 VS131-VS132 VS176-VS177 VS186-VS187 VS206-VS207 VS261-VS262
620	24	PK	D04349J	29		31-51-21	SM00071			N2	1		VA001-VB410 VB421-VE180 VF001-VF011 VF021-VF110 VF161-VF180 VK001-VK180 VL001-VL040 VL701-VL790 VL796-VL805 VL891-VL930 VM999-VN095 VN111-VN173 VN191-VN340 VN371-VN656 VN671-VN960 VN966-VN967 VN971-VN990 VR401-VR401 VR421-VR421 VR426-VR427 VR471-VR471 VS051-VS052 VS066-VS070 VS073-VS073 VS196-VS199 VS246-VS248 VS266-VS268
621	24	PK	D00815	7		31-51-21	SM00071			N2	3		VF251-VF260 VK181-VK190 VL806-VL810 VL871-VL880 VL931-VL945 VN096-VN110 VN174-VN190 VN657-VN670 VN968-VN970 VR461-VR461 VS061-VS061 VS091-VS094 VS111-VS111 VS131-VS132 VS176-VS177 VS186-VS187 VS206-VS207 VS261-VS262
621	24	PK	D00815	7		31-51-21	SM00071			N2	1		VA001-VB410 VB421-VE180 VF001-VF011 VF021-VF110 VF161-VF180 VK001-VK180 VL001-VL040 VL701-VL790 VL796-VL805 VL891-VL930 VM999-VN095 VN111-VN173 VN191-VN340 VN371-VN656 VN671-VN960 VN966-VN967 VN971-VN990 VR401-VR401 VR421-VR421 VR426-VR427 VR471-VR471 VS051-VS052 VS066-VS070 VS073-VS073 VS196-VS199 VS246-VS248 VS266-VS268

286T0045-101
Wire Bundle Assembly
Figure 101 (Sheet 209)

25-71-02



BOEING
COMPONENT
MAINTENANCE MANUAL

WIRE		FROM EQUIPMENT			TO EQUIPMENT			WIRE INFO		
NUMBER	GA TYP	NUMBER	TERM TT	WD REF	NUMBER	TERM TT	EMC/SEP	FT	NOTE	EFFECTIVITY
622	24 PK	D01489	2	31-51-33	SM00071	W	N2	3		VF251-VF260 VK181-VK190 VL806-VL810 VL871-VL880 VL931-VL945 VN096-VN110 VN174-VN190 VN657-VN670 VN968-VN970 VR461-VR461 VS061-VS061 VS091-VS094 VS111-VS111 VS131-VS132 VS176-VS177 VS186-VS187 VS206-VS207 VS261-VS262
622	24 PK	D01489	2	31-51-33	SM00071	W	N2	1		VA001-VA001 VA021-VA300 VA316-VA500 VA520-VA800 VA811-VB100 VB124-VB250 VB254-VB300 VB302-VB322 VB325-VB370 VB374-VB410 VB421-VD999 VE003-VE020 VE024-VE100 VE104-VE180 VF001-VF011 VF021-VF110 VF161-VF180 VK001-VK180 VL001-VL040 VL701-VL790 VL796-VL805 VL891-VL930 VM999-VN095 VN111-VN173 VN191-VN340 VN371-VN656 VN671-VN960 VN966-VN967 VN971-VN990 VR401-VR401 VR421-VR421 VR426-VR427 VR471-VR471 VS051-VS052 VS066-VS070 VS073-VS073 VS196-VS199 VS246-VS248 VS266-VS268
623	24 PK	D01489	36	31-51-33	SM00038	W	N2	3		VA002-VA020 VA301-VA315 VA501-VA519 VA801-VA810 VB101-VB123 VB301-VB301 VB371-VB373 VE021-VE023 VE101-VE103
623	24 PK	D01489	36	31-51-33	SM00038	W	N2	3	MZK-T2	VB251-VB253 VB323-VB324 VE001-VE002
623	24 PK	D01489	36	31-51-33	SM00038	W	N2	3	MZP-T2	VF251-VF260 VK181-VK190 VL806-VL810 VL871-VL880 VL931-VL945 VN096-VN110 VN174-VN190 VN657-VN670 VN968-VN970 VR461-VR461 VS061-VS061 VS091-VS094 VS111-VS111 VS131-VS132 VS176-VS177 VS186-VS187 VS206-VS207 VS261-VS262

286T0045-101
Wire Bundle Assembly
Figure 101 (Sheet 210)

25-71-02

WIRE		FROM EQUIPMENT			TO EQUIPMENT			WIRE INFO			
NUMBER	GA	TYP	NUMBER	TERM TT	WD REF	NUMBER	TERM TT	EMC / SEP	FT	NOTE	EFFECTIVITY
623	24	PK	D01489	36	31-51-33	SM00038	W	N2	1		VA001-VB410 VB421-VE180 VF001-VF011 VF021-VF110 VF161-VF180 VK001-VK180 VL001-VL040 VL701-VL790 VL796-VL805 VL891-VL930 VM999-VN095 VN111-VN173 VN191-VN340 VN371-VN656 VN671-VN960 VN966-VN967 VN971-VN990 VR401-VR401 VR421-VR421 VR426-VR427 VR471-VR471 VS051-VS052 VS066-VS070 VS073-VS073 VS196-VS199 VS246-VS248 VS266-VS268
624	24	PK	D00815	8	31-51-21	SM00045	W	N2	3		VF251-VF260 VK181-VK190 VL806-VL810 VL871-VL880 VL931-VL945 VN096-VN110 VN174-VN190 VN657-VN670 VN968-VN970 VR461-VR461 VS061-VS061 VS091-VS094 VS111-VS111 VS131-VS132 VS176-VS177 VS186-VS187 VS206-VS207 VS261-VS262
624	24	PK	D00815	8	31-51-21	SM00045	W	N2	1		VA001-VB410 VB421-VE180 VF001-VF011 VF021-VF110 VF161-VF180 VK001-VK180 VL001-VL040 VL701-VL790 VL796-VL805 VL891-VL930 VM999-VN095 VN111-VN173 VN191-VN340 VN371-VN656 VN671-VN960 VN966-VN967 VN971-VN990 VR401-VR401 VR421-VR421 VR426-VR427 VR471-VR471 VS051-VS052 VS066-VS070 VS073-VS073 VS196-VS199 VS246-VS248 VS266-VS268
625	24	PK	D01487	9	31-51-31	SM00034	W	N2	3		VF251-VF260 VK181-VK190 VL806-VL810 VL871-VL880 VL931-VL945 VN096-VN110 VN174-VN190 VN657-VN670 VN968-VN970 VR461-VR461 VS061-VS061 VS091-VS094 VS111-VS111 VS131-VS132 VS176-VS177 VS186-VS187 VS206-VS207 VS261-VS262

 286T0045-101
 Wire Bundle Assembly
 Figure 101 (Sheet 211)

25-71-02



BOEING
COMPONENT
MAINTENANCE MANUAL

WIRE		FROM EQUIPMENT			TO EQUIPMENT			WIRE INFO		
NUMBER	GA TYP	PK NUMBER	TERM TT	WD REF	NUMBER	TERM TT	EMC / SEP	FT	NOTE	EFFECTIVITY
625	24	PA D01487	9	31-51-31	SM00034	W	N2	1		VA001-VA001 VA301-VA315 VB051-VB055 VB302-VB302 VB321-VB322 VB325-VB328 VB401-VB401 VE021-VE023 VE041-VE043 VE064-VE065 VE083-VE086 VE116-VE117 VE141-VE146 VE171-VE171 VF091-VF091 VK031-VK045 VN211-VN212 VN241-VN241
626	22	PA D01487	62	31-51-31	GDX0006	D..	N2	4		VA701-VA719 VB201-VB202
626	22	PA D01487	CAP Y	SPARE	GDX0006	D..	N2	4	ZSZ-B6	VB329-VB330 VF051-VF051 VN111-VN117
626	22	PA D01487	62	31-51-31	SM00079	W	N2	4		VA001-VA001 VA301-VA315 VB051-VB055 VB302-VB302 VB321-VB322 VB325-VB328 VB401-VB401 VE021-VE023 VE041-VE043 VE064-VE065 VE083-VE086 VE116-VE117 VE141-VE146 VE171-VE171 VF091-VF091 VK031-VK045 VN211-VN212 VN241-VN241
627	22	PA D01487	63	31-51-31	GDX0006	D..	N2	4		VA701-VA719 VB201-VB202
627	22	PA D01487	CAP Y	SPARE	GDX0006	D..	N2	4	ZSZ-B6	VB329-VB330 VF051-VF051 VN111-VN117
627	22	PA D01487	63	31-51-31	SM00079	W	N2	4		VA001-VA300 VA316-VA800 VB001-VB123 VB126-VB300 VB302-VB370 VB374-VB410 VB421-VE060 VE101-VE115 VE123-VE180 VF001-VF011 VF021-VF110 VF161-VF180 VK001-VK160 VK171-VK180 VL001-VL040 VL701-VL790 VL796-VL805 VL891-VL910 VM999-VN080 VN151-VN173 VN191-VN340 VN371-VN375 VN381-VN530 VN631-VN656 VN671-VN820 VN921-VN960 VN966-VN967 VN971-VN990 VR401-VR401 VR421-VR421 VR436-VR427 VR471-VR471 VS066-VS070 VS073-VS073 VS196-VS199 VS266-VS268
628	22	PA D01487	20	31-51-31	GDX0006	D..	N2	4		VA301-VA315
628	22	PA D01487	20	31-51-31	SM00042	W	N2	4	MHE-F2	VB124-VB125 VE121-VE122
628	22	PA D01487	20	31-51-31	SM00042	W	N2	3		VB371-VB373

286T0045-101
Wire Bundle Assembly
Figure 101 (Sheet 212)

25-71-02

WIRE		FROM EQUIPMENT			TO EQUIPMENT			WIRE INFO					
NUMBER	GA	TYP	NUMBER	TERM	TT	WD REF	NUMBER	TERM	TT	EMC/SEP	FT	NOTE	EFFECTIVITY
628	22	PA	D01487	20		31-51-31	GDX0006	D..	2	N2	4	MHE-T2	VF251-VF260 VK181-VK190 VL806-VL810 VL871-VL880 VL931-VL945 VN096-VN110 VN174-VN190 VN657-VN670 VN968-VN970 VR461-VR461 VS061-VS061 VS091-VS094 VS111-VS111 VS131-VS132 VS176-VS177 VS186-VS187 VS206-VS207
628	22	PA	D01487	20		31-51-31	GDX0006	D..	2	N2	2		VA001-VB320 VB371-VB410 VB421-VE180 VF001-VF010 VF021-VF100 VF161-VF170 VK001-VK180 VL001-VL040 VL701-VL790 VL796-VL805 VM999-VN095 VN151-VN170 VN191-VN340 VN377-VN380 VN383-VN470 VN491-VN530 VN651-VN656 VN671-VN680 VN731-VN820 VN931-VN950 VN966-VN967 VN971-VN990 VR401-VR401 VR421-VR421 VR426-VR427 VR471-VR471 VS066-VS070 VS073-VS073 VS196-VS199 VS266-VS268
629	22	PA	D01487	53		31-51-31	GDX0006	D..	2	N2	4		VK181-VK190 VL806-VL810 VL871-VL880 VL941-VL945 VN096-VN110 VN657-VN670 VN968-VN970 VR461-VR461 VS091-VS094 VS111-VS111 VS131-VS132 VS176-VS177 VS186-VS187
629	22	PA	D01487	53		31-51-31	GDX0006	D..	2	N2	2		VS061-VS061 VS261-VS262
629	22	PK	GDX0006	D..	2	31-51-31	D01487	53		N2	2		VA001-VB328 VB331-VB410 VB421-VE180 VF001-VF011 VF021-VF050 VF061-VF110 VF161-VF180 VK001-VK180 VL001-VL040 VL701-VL790 VL796-VL805 VL891-VL930 VM999-VN095 VN120-VN173 VN191-VN340 VN371-VN656 VN671-VN680 VN731-VN930 VN951-VN960 VN966-VN967 VN971-VN990 VR401-VR401 VR421-VR421 VR426-VR427 VR471-VR471 VS051-VS052 VS066-VS070 VS073-VS073 VS196-VS199 VS246-VS248 VS266-VS268
630	22	PA	D01487	21		31-51-31	GDX0006	D..	2	N2	4		VB329-VB330 VF051-VF060 VN111-VN119

286T0045-101
Wire Bundle Assembly
Figure 101 (Sheet 213)

25-71-02



BOEING
COMPONENT
MAINTENANCE MANUAL

WIRE		FROM EQUIPMENT			TO EQUIPMENT			WIRE INFO			
NUMBER	GA	TYP	NUMBER	TERM TT	WD REF	NUMBER	TERM TT	EMC/SEP	FT	NOTE	EFFECTIVITY
630	22	PA	D01487	21	31-51-31	SM00079	W	N2	4		VF251-VF260 VK181-VK190 VL806-VL810 VL871-VL880 VL941-VL945 VN096-VN110 VN174-VN190 VN657-VN670 VN968-VN970 VR461-VR461 VS061-VS061 VS091-VS094 VS111-VS111 VS131-VS132 VS176-VS177 VS186-VS187 VS261-VS262
630	22	PA	D01487	21	31-51-31	GDX0006	D..	N2	2		VL931-VL940 VS206-VS207
630	22	PA	D01487	21	31-51-31	GDX0006	D..	N2	2		VN681-VN730 VN931-VN950
630	22	PA	D01487	21	31-51-31	GDX0006	D..	N2	4		VA001-VB410 VB421-VE180 VF001-VF011 VF021-VF110 VF161-VF180 VK001-VK180 VL001-VL040 VL701-VL790 VL796-VL805 VL891-VL930 VM999-VN095 VN111-VN173 VN191-VN340 VN371-VN656 VN671-VN960 VN966-VN967 VN971-VN990 VR401-VR401 VR421-VR421 VR426-VR427 VR471-VR471 VS051-VS052 VS066-VS070 VS073-VS073 VS196-VS199 VS246-VS248 VS266-VS268
631	24	PK	D00817	9	31-51-32	SM00034	W	N2	3		VF251-VF260 VK181-VK190 VL806-VL810 VL871-VL880 VL931-VL945 VN096-VN110 VN174-VN190 VN657-VN670 VN968-VN970 VR461-VR461 VS061-VS061 VS091-VS094 VS111-VS111 VS131-VS132 VS176-VS177 VS186-VS187 VS206-VS207 VS261-VS262
631	24	PK	D00817	9	31-51-32	SM00034	W	N2	1		VA001-VA001 VA301-VA315 VB051-VB055 VB302-VB302 VB321-VB322 VB325-VB328 VB401-VB401 VE021-VE023 VE041-VE043 VE064-VE065 VE083-VE086 VE116-VE117 VE141-VE146 VE171-VE171 VF091-VF091 VK031-VK045 VN211-VN212 VN241-VN241
632	22	PA	D00817	62	31-51-32	GDX0006	D..	N2	4		VB329-VB330 VF051-VF051 VN111-VN117

286T0045-101
Wire Bundle Assembly
Figure 101 (Sheet 214)

25-71-02

WIRE		FROM EQUIPMENT		TO EQUIPMENT		WIRE INFO				
NUMBER	GA TYP	NUMBER	TERM TT	WD REF	NUMBER	TERM TT	EMC/SEP	FT	NOTE	EFFECTIVITY
632	22 PA	D00817	62	31-51-32	SM00086	W	N2	4		VA001-VA001 VA301-VA315 VB051-VB055 VB302-VB302 VB321-VB322 VB325-VB328 VB401-VB401 VE021-VE023 VE041-VE043 VE064-VE065 VE083-VE086 VE116-VE117 VE141-VE146 VE171-VE171 VF091-VF091 VK031-VK045 VN211-VN212 VN241-VN241
633	22 PA	D00817	63	31-51-32	GDX0006	D..	N2	4		VB329-VB330 VF051-VF051 VN111-VN117
633	22 PA	D00817	63	31-51-32	SM00086	W	N2	4		VA001-VA300 VA316-VA500 VA520-VA525 VA531-VA800 VB001-VB123 VB126-VB300 VB302-VB410 VB421-VE060 VE101-VE115 VE123-VE180 VF001-VF011 VF021-VF050 VF061-VF090 VF101-VF110 VF161-VF180 VK001-VK160 VK171-VK180 VL001-VL040 VL701-VL790 VL796-VL805 VL891-VL930 VM999-VM999 VN016-VN080 VN151-VN173 VN191-VN340 VN371-VN375 VN381-VN530 VM631-VN656 VN671-VN820 VN921-VN960 VN966-VN967 VN971-VN990 VR401-VR401 VR421-VR421 VR426-VR427 VR471-VR471 VS051-VS052 VS066-VS070 VS073-VS073 VS196-VS199 VS266-VS268
634	22 PA	D00817	20	31-51-32	GDX0006	D..	N2	4		VA301-VA315
634	22 PA	D00817	20	31-51-32	SM00042	W	N2	4		VE124-VB125 VE121-VE122
634	22 PA	D00817	20	31-51-32	SM00042	W	N2	3		VF051-VF060
634	22 PA	D00817	20	31-51-32	SM00086	W	N2	4		VF091-VF100
634	22 PA	D00817	20	31-51-32	GDX0006	D..	N2	3		VF251-VF260 VK181-VK190 VL806-VL810 VL871-VL880 VL931-VL945 VN096-VN110 VN174-VN190 VN657-VN670 VN968-VN970 VR461-VR461 VS061-VS061 VS091-VS094 VS111-VS111 VS131-VS132 VS176-VS177 VS186-VS187 VS206-VS207 VS261-VS262

286T0045-101
Wire Bundle Assembly
Figure 101 (Sheet 215)

25-71-02



BOEING
COMPONENT
MAINTENANCE MANUAL

WIRE		FROM EQUIPMENT			TO EQUIPMENT			WIRE INFO			
NUMBER	GA	TYP	NUMBER	TERM	WD REF	NUMBER	TERM	EMC/SEP	FT	NOTE	EFFECTIVITY
634	22	PA	D00817	20	31-51-32	GDX0006	D..	2	N2	2	VA001-VB320 VB371-VB410 VB421-VE180 VF001-VF010 VF021-VF100 VF161-VF170 VK001-VK180 VL001-VL040 VL701-VL790 VL796-VL805 VM999-VN095 VN151-VN170 VN191-VN340 VN377-VN380 VN383-VN470 VN491-VN530 VN651-VN656 VN671-VN680 VN751-VN820 VN931-VN950 VN966-VN967 VN971-VN990 VR401-VR401 VR421-VR421 VR426-VR427 VR471-VR471 VS066-VS070 VS073-VS073 VS196-VS199 VS266-VS268
635	22	PA	D00817	53	31-51-32	GDX0006	D..	2	N2	4	VK181-VK190 VL806-VL810 VL871-VL880 VL941-VL945 VN096-VN110 VN657-VN670 VN968-VN970 VR461-VR461 VS091-VS094 VS111-VS111 VS131-VS132 VS176-VS177 VS186-VS187 VS261-VS262 VN731-VN750 VS061-VS061
635	22	PA	D00817	53	31-51-32	GDX0006	D..	2	N2	2	VA001-VB328 VB331-VB410 VB421-VE180 VF001-VF011 VF021-VF110 VF161-VF180 VK001-VK180 VL001-VL040 VL701-VL790 VL796-VL805 VL891-VL930 VM999-VN095 VN151-VN173 VN191-VN340 VN371-VN656 VM671-VN820 VN921-VN960 VN966-VN967 VN971-VN990 VR401-VR401 VR421-VR421 VR426-VR427 VR471-VR471 VS051-VS052 VS066-VS070 VS073-VS073 VS196-VS199 VS266-VS268
636	22	PA	D00817	21	31-51-32	GDX0006	D..	2	N2	4	VB329-VB330 VN111-VN150 VN821-VN920 VS246-VS248
636	22	PA	D00817	21	31-51-32	SM00086	W	N2	4	4	VF251-VF260 VK181-VK190 VL806-VL810 VL871-VL880 VL931-VL945 VN096-VN110 VN174-VN190 VN657-VN670 VN968-VN970 VR461-VR461 VS061-VS061 VS091-VS094 VS111-VS111 VS131-VS132 VS176-VS177 VS186-VS187 VS206-VS207 VS261-VS262
636	22	PA	D00817	21	31-51-32	GDX0006	D..	2	N2	2	VA801-VA999 VB301-VB301

286T0045-101
Wire Bundle Assembly
Figure 101 (Sheet 216)

25-71-02

WIRE			FROM EQUIPMENT			TO EQUIPMENT			WIRE INFO					
NUMBER	GA	TYP	NUMBER	TERM	TT	WD	REF	NUMBER	TERM	TT	EMC/SEP	FT	NOTE	EFFECTIVITY
637	24	PK	D04597J	7		31-51-31	D01487		20		N2	4		VA801-VA999
638	20	PA	D04597J	8		31-51-31	GDX0001		D..	2	N2	4		VB301-VB301
638	20	PA	D04597J	8		31-51-31	GDX0001		D..	2	N2	4		VA801-VA999
639	24	PK	D04303J	1		31-51-32	D00817		20		N2	4		VB301-VB301
639	24	PK	D04303J	1		31-51-32	D00817		20		N2	4		VA801-VA999
640	20	PA	D04303J	2		31-51-32	GDX0004		D..	2	N2	3		VB301-VB301
640	20	PA	D04303J	2		31-51-32	GDX0004		D..	2	N2	3		VA501-VA700
641	24	PK	D04507J	7		34-16-11	SM00048			W	N2	3		VN001-VN050 VS196-VS199
641	24	PK	D04507J	7		34-16-11	SM00048			W	N2	3		VA501-VA700
642	24	PK	D00821	34		34-16-11	SM00048			W	N2	3		VN001-VN050 VS196-VS199
642	24	PK	D00821	34		34-16-11	SM00048			W	N2	3		VA501-VA700
643	24	PK	D00821	66		34-16-11	SM00048			W	N2	3		VN001-VN050 VS196-VS199
643	24	PK	D00821	66		34-16-11	SM00048			W	N2	3		VA001-VA001 VA701-VA712 VB001-VB002 VB051-VB055
														VB201-VB202 VB281-VB284 VB321-VB322 VB401-VB401
														VE041-VE043 VE061-VE068 VE116-VE116
644	22	PQ	D00823	65		27-32-31	D04347J		42		N2	3		VA002-VA020 VA501-VA519 VA801-VA810 VB301-VB301
														VE021-VE023 VE101-VE103
644	22	PQ	D00823	66		27-32-31	D04347J		42		N2	3	MZK-T2	VA021-VA300 VA316-VA500 VA520-VA700 VA713-VA800
														VA811-VA999 VB003-VB050 VB056-VB200 VB203-VB280
														VB285-VB300 VB302-VB320 VB323-VB370 VB374-VB400
														VB402-VB410 VB421-VE020 VE024-VE040 VE044-VE060
														VE069-VE100 VE104-VE115 VE117-VE180 VF001-VF011
														VF021-VF110 VF161-VF180 VK001-VK180 VL001-VL040
														VL701-VL790 VL796-VL805 VL891-VL930 VMS99-VN095
														VN111-VN173 VN191-VN340 VN371-VN656 VN671-VN960
														VN966-VN967 VN971-VN990 VR401-VR401 VR421-VR421
														VR426-VR427 VR471-VR471 VS051-VS052 VS066-VS070
														VS073-VS073 VS196-VS199 VS246-VS248 VS266-VS268
644	22	PQ	D00823	66		27-32-31	D04347J		42		N2	3		VA301-VA315 VB371-VB373

286T0045-101
Wire Bundle Assembly
Figure 101 (Sheet 217)

25-71-02



BOEING
COMPONENT
MAINTENANCE MANUAL

WIRE		FROM EQUIPMENT			TO EQUIPMENT			WIRE INFO		
NUMBER	GA TYP	NUMBER	TERM TT	WD REF	NUMBER	TERM TT	EMC/SEP	FT	NOTE	EFFECTIVITY
644	22 PQ	D00823	66	27-32-31	D04347J	42	N2	3	MZK-B2	VF251-VF260 VK181-VK190 VL806-VL810 VL871-VL880 VL931-VL945 VN096-VN110 VN174-VN190 VN657-VN670 VN968-VN970 VR461-VR461 VS061-VS061 VS091-VS094 VS111-VS111 VS131-VS132 VS176-VS177 VS186-VS187 VS206-VS207 VS261-VS262
644	22 PQ	D00823	66	27-32-31	D04347J	42	N2	2		VA001-VA001 VA701-VA712 VB001-VB002 VB051-VB055 VB201-VB202 VB281-VB284 VB321-VB322 VB401-VB401 VE041-VE043 VE061-VE068 VE116-VE116
644Z		D00823	DED	27-32-31	D04347J	DED	N2			
645	24 PK	D00823	5	27-32-31	D04347J	43	N2	3		VA001-VA001 VA701-VA712 VB001-VB002 VB051-VB055 VB201-VB202 VB281-VB284 VB321-VB322 VB401-VB401 VE041-VE043 VE061-VE068 VE116-VE116
646	22 PQ	D01381	65	27-32-31	D04349J	42	N2	3		VA002-VA020 VA501-VA519 VA801-VA810 VB301-VB301 VE021-VE023 VE101-VE103
646	22 PQ	D01381	66	27-32-31	D04349J	42	N2	3	MZK-T2	VA021-VA300 VA316-VA500 VA520-VA700 VA713-VA800 VA811-VA999 VB003-VB050 VB056-VB200 VB203-VB280 VB285-VB300 VB302-VB320 VB323-VB370 VB374-VB400 VB402-VB410 VB421-VE020 VE024-VE040 VE044-VE060 VE069-VE100 VE104-VE115 VE117-VE180 VF001-VF011 VF021-VF110 VF161-VF180 VK001-VK180 VL001-VL040 VL701-VL790 VL796-VL805 VL891-VL930 VM999-VN095 VN111-VN173 VN191-VN340 VN371-VN656 VN671-VN960 VN966-VN967 VN971-VN990 VR401-VR401 VR421-VR421 VR426-VR427 VR471-VR471 VS051-VS052 VS066-VS070 VS073-VS073 VS196-VS199 VS246-VS248 VS266-VS268
646	22 PQ	D01381	66	27-32-31	D04349J	42	N2	3		VA301-VA315 VB371-VB373

286T0045-101
Wire Bundle Assembly
Figure 101 (Sheet 218)

25-71-02

WIRE		FROM EQUIPMENT			TO EQUIPMENT			WIRE INFO			
NUMBER	GA	TYP	NUMBER	TERM TT	WD REF	NUMBER	TERM TT	EMC / SEP	FT	NOTE	EFFECTIVITY
646	22	PQ	D01381	66	27-32-31	D04349J	42	N2	3	MZK-B2	VB251-VF260 VK181-VK190 VL806-VL810 VL871-VL880 VL931-VL945 VN096-VN110 VN174-VN190 VN657-VN670 VN968-VN970 VR461-VR461 VS061-VS061 VS091-VS094 VS111-VS111 VS131-VS132 VS176-VS177 VS186-VS187 VS206-VS207 VS261-VS262
646	22	PQ	D01381	66	27-32-31	D04349J	42	N2	2		VA001-VA001 VA701-VA712 VB001-VB002 VB051-VB055 VB201-VB202 VB281-VB284 VB321-VB322 VB401-VB401 VE041-VE043 VE061-VE068 VE116-VE116
646Z			D01381	DED	27-32-31	D04349J	DED	N2			
647	24	PK	D01381	5	27-32-31	D04349J	43	N2	3		VA002-VA020 VB101-VB103 VK012-VK020
648	24	PK	D04347J	32	34-16-11	D00821	40	N2	5		VA301-VA500 VA520-VA800 VA811-VA999 VB051-VB100 VB201-VB250 VB281-VB300 VB302-VB370 VB421-VB440 VB451-VD999 VE024-VE100 VE104-VE170 VF021-VF050 VF061-VF070 VK031-VK080 VL003-VL010 VL891-VL910 VN231-VN240 VN301-VN340 VN791-VN810 VN951-VN960 VN971-VN971 VR471-VR471
648	24	PK	D00821	40	34-16-11	D04347J	32	N2	4		VA501-VA519 VA801-VA810 VB301-VB301 VE021-VE023 VE101-VE103
648	24	PK	D00821	40	34-16-11	D04347J	32	N2	4	MZK-T2	VK161-VK170 VM001-VN095 VN211-VN230 VN251-VN300 VN376-VN380 VN531-VN535 VN651-VN656 VN671-VN680 VN731-VN750 VN966-VN967 VS066-VS070 VS073-VS073 VS196-VS199 VS266-VS268
648	24	PK	D04347J	32	34-16-11	D00821	40	N2	4		VK181-VK190 VL806-VL810 VL941-VL945 VR461-VR461
648	24	PK	D00821	40	34-16-11	D04347J	32	N2	2		VL753-VL753
648	24	PK	D04347J	32	34-16-11	D00821	40	N2	5	ZSZ-B6	VN096-VN110 VN657-VN670 VN968-VN970 VS091-VS094 VS111-VS111 VS131-VS132 VS186-VS187
648	24	PK	D04347J	32	34-16-11	D00821	40	N2	2		VA301-VA315

286T0045-101
Wire Bundle Assembly
Figure 101 (Sheet 219)

25-71-02



BOEING
COMPONENT
MAINTENANCE MANUAL

WIRE		FROM EQUIPMENT			TO EQUIPMENT			WIRE INFO		
NUMBER	GA TYP	NUMBER	TERM TT	WD REF	NUMBER	TERM TT	EMC / SEP	FT	NOTE	EFFECTIVITY
649	24 PK	SM00038		34-16-11	D04347J	33	N2	3	MZK-F2	VA316-VA500 VA520-VA800 VA811-VA999 VE051-VB100 VB201-VB250 VB281-VB300 VB302-VB370 VB421-VB440 VB451-VD999 VE024-VE100 VE104-VE170 VF021-VF050 VF061-VF070 VK016-VK020 VK031-VK080 VL003-VL010 VL891-VL910 VN231-VN240 VN301-VN340 VN791-VN810 VN951-VN960 VR471-VR471
649	24 PK	SM00038	W	34-16-11	D04347J	33	N2	3		VA501-VA519 VA801-VA810 VB301-VB301 VE021-VE023 VE101-VE103
649	24 PK	SM00038	W	34-16-11	D04347J	33	N2	3	MZK-T2	VB101-VB103
649	24 PK	SM00108	S	34-16-11	D04347J	33	N2	3		VK012-VK015
649	24 PK	SM00108	S	34-16-11	D04347J	33	N2	3		VK161-VK170 VN001-VN095 VN211-VN230 VM251-VN300 VN376-VN380 VN531-VN535 VN651-VN656 VN671-VN680 VN731-VN750 VN966-VN967 VS066-VS070 VS073-VS073 VS196-VS199 VS266-VS268
649	24 PK	D04347J	33	34-16-11	SM00038		N2	3		VK181-VK190 VN096-VN110 VN657-VN670 VN968-VN970 VR461-VR461 VS111-VS111 VS131-VS132 VS186-VS187
649	24 PK	D04347J	33	34-16-11	SM00038		N2	1		VL753-VL753
649	24 PK	SM00038	W	34-16-11	D04347J	33	N2	3	ZSZ-B6	VL806-VL810 VL941-VL945 VS091-VS094
649	24 PK	SM00038	W	34-16-11	D04347J	33	N2	1		VB321-VB370 VF011-VF011 VF101-VF110 VF171-VF180 VL891-VL930 VN111-VN150 VN371-VN490 VN531-VN650 VN681-VN730 VN821-VN930 VN951-VN960 VS051-VS052 VS246-VS248
652	24 PV	D00811	26	31-51-11	SM00068		N2	4		VF251-VF260 VN174-VN190 VS177-VS177
652	24 PV	D00811	26	31-51-11	SM00068		N2	2		VN171-VN173
652	24 PV	D00811	26	31-51-11	SM00068		N2	4	MPI-F2	VS176-VS176
652	24 PV	D00811	26	31-51-11	SM00068		N2	2		VB321-VB370 VF011-VF011 VF101-VF110 VF171-VF180 VF251-VF260 VL891-VL930 VN111-VN150 VN174-VN190 VN371-VN490 VN531-VN650 VN681-VN730 VN821-VN930 VN951-VN960 VS051-VS052 VS176-VS177 VS246-VS248

286T0045-101
Wire Bundle Assembly
Figure 101 (Sheet 220)

25-71-02

WIRE		FROM EQUIPMENT			TO EQUIPMENT			WIRE INFO			
NUMBER	GA	TYP	NUMBER	TERM TT	WD REF	NUMBER	TERM TT	EMC/SEP	FT	NOTE	EFFECTIVITY
652Z			D00811	DED	31-51-11	SM00068	REF	N2			VN171-VN173
652Z			D00811	DED	31-51-11	SM00068	REF	N2		MTD-T2	VB321-VB370 VF011-VF011 VF101-VF110 VF171-VF180 VL891-VL930 VN111-VN150 VN371-VN490 VN531-VN650 VN681-VN730 VN821-VN930 VN951-VN960 VS051-VS052 VS246-VS248
653	24	PV	D00811	49	31-51-11	SM00069		W N2	4		VF251-VF260 VN174-VN190 VS177-VS177
653	24	PV	D00811	49	31-51-11	SM00069		W N2	2		VN171-VN173
653	24	PV	D00811	49	31-51-11	SM00069		W N2	4	MPI-F2	VS176-VS176
653	24	PV	D00811	49	31-51-11	SM00069		W N2	2		VB321-VB370 VF011-VF011 VF101-VF110 VF171-VF180 VF251-VF260 VL891-VL930 VN111-VN150 VN174-VN190 VN371-VN490 VN531-VN650 VN681-VN730 VN821-VN930 VN951-VN960 VS051-VS052 VS176-VS177 VS246-VS248
653Z			D00811	DED	31-51-11	SM00069	REF	N2			VN171-VN173
653Z			D00811	DED	31-51-11	SM00069	REF	N2		MTC-T2	VB321-VB370 VF011-VF011 VN371-VN490 VN631-VN650 VN681-VN730 VN921-VN930
654	24	PV	D01739	27	31-51-11	SM00068		W N2	2		VF101-VF110 VF171-VF180 VL891-VL930 VN111-VN150 VN531-VN630 VN821-VN920 VN951-VN960 VS051-VS052 VS246-VS248
654	24	PV	D01739	27	31-51-11	SM00068		W N2	2		VF251-VF251
654	24	PV	D00819	CAP Y	SPARE	SM00068		W N2	1		VN171-VN173
654	24	PV	D01739	27	31-51-11	SM00068		W N2	2	MOT-F2	VN174-VN190
654	24	PV	D01739	27	31-51-11	SM00068		W N2	1		VS176-VS177
654	24	PV	D01739	27	31-51-11	SM00068		W N2	1		VB321-VB370 VF011-VF011 VF101-VF110 VF171-VF180 VN111-VN150 VN371-VN490 VN531-VN650 VN681-VN730 VN821-VN930 VS176-VS177 VS246-VS248
654Z			D01739	DED	31-51-11	SM00068	REF	N2			VF251-VF251
654Z			D00819	DED	SPARE	SM00068	REF	N2			VL891-VL930 VN174-VN190 VN951-VN960 VS051-VS052
654Z			D01739	DED	31-51-11	SM00068	REF	N2			VN171-VN173

286T0045-101
Wire Bundle Assembly
Figure 101 (Sheet 221)

25-71-02



BOEING
COMPONENT
MAINTENANCE MANUAL

WIRES		FROM EQUIPMENT			TO EQUIPMENT			WIRES INFO						
NUMBER	GA	TYP	NUMBER	TERM	TT	WD	REF	NUMBER	TERM	TT	EMC/SEP	FT	NOTE	EFFECTIVITY
654Z			D01739	DED		31-51-11	SM00068	REF			N2		MTD-T2	VB321-VB370 VF011-VF011 VF101-VF110 VF171-VF180 VN111-VN150 VN371-VN490 VN531-VN650 VN681-VN730 VN821-VN930 VS246-VS248
655	24	PV	D01739	32		31-51-11	SM00069		W	2	N2	2		VF251-VF251
655	24	PV	D00819	CAP	Y	SPARE	SM00069		W	1	N2	1		VL891-VL930 VN951-VN960 VS051-VS052
655	24	PV	D01739	32		31-51-11	SM00069		W	2	N2	2		VN171-VN173
655	24	PV	D01739	32		31-51-11	SM00069		W	2	N2	2	MOT-F2	VN174-VN190
655	24	PV	D01739	32		31-51-11	SM00069		W	1	N2	1		VS176-VS177
655	24	PV	D01739	32		31-51-11	SM00069		W	1	N2	1		VB321-VB370 VF011-VF011 VF101-VF110 VF171-VF180 VN111-VN150 VN371-VN490 VN531-VN650 VN681-VN730 VN821-VN930 VS176-VS177 VS246-VS248
655Z			D01739	DED		31-51-11	SM00069	REF			N2			VF251-VF251
655Z			D00819	DED		SPARE	SM00069	REF			N2			VL891-VL930 VN174-VN190 VN951-VN960 VS051-VS052
655Z			D01739	DED		31-51-11	SM00069	REF			N2			VN171-VN173
655Z			D01739	DED		31-51-11	SM00069	REF			N2		MTD-T2	VB321-VB370 VF011-VF011 VN371-VN490 VN631-VN650 VN681-VN730 VN921-VN930
656	24	PK	D01739	10		31-51-11	SM00022		W	2	N2	2		VF101-VF110 VF171-VF180 VL891-VL930 VN111-VN150 VN531-VN630 VN821-VN920 VN951-VN960 VS051-VS052 VS246-VS248
656	24	PK	D01739	10		31-51-11	SM00022		W	2	N2	2		VF251-VF251
656	24	PK	D00819	CAP	Y	SPARE	SM00022		W	1	N2	1		VN171-VN173
656	24	PK	D01739	10		31-51-11	SM00022		W	2	N2	2	MOT-F2	VN174-VN190
656	24	PK	D01739	10		31-51-11	SM00022		W	1	N2	1		VS176-VS177
656	24	PK	D01739	10		31-51-11	SM00022		W	1	N2	1		VB321-VB370 VF011-VF011 VN371-VN490 VN631-VN650 VN681-VN730 VN921-VN930
657	22	PA	D01739	14		31-51-11	GDX0006	D..	2	3	N2	3		VF101-VF110 VF171-VF180 VL891-VL930 VN111-VN150 VN531-VN630 VN821-VN920 VN951-VN960 VS051-VS052 VS246-VS248
657	22	PA	D01739	14		31-51-11	GDX0006	D..	2	3	N2	3	MOT-F2	VN171-VN173
657	22	PA	D01739	14		31-51-11	GDX0006	D..	2	3	N2	3		VN174-VN190

286T0045-101
Wire Bundle Assembly
Figure 101 (Sheet 222)

25-71-02

WIRE		FROM EQUIPMENT			TO EQUIPMENT			WIRE INFO			
NUMBER	GA	TYP	NUMBER	TERM TT	WD REF	NUMBER	TERM TT	EMC/SEP	FT	NOTE	EFFECTIVITY
657	22	PA	D01739	14	31-51-11	GDX0006	D..	N2	2		VS176-VS177
657	22	PA	D01739	14	31-51-11	GDX0006	D..	N2	2		VB321-VB370 VF011-VF011 VF101-VF110 VF171-VF180 VN371-VN375 VN381-VN490 VN631-VN650 VN681-VN730 VN921-VN930
658	24	PV	D01741	27	31-51-11	D00811	62	N2	4		VL891-VL930 VN951-VN960 VS051-VS052
658	24	PV	D01741	27	31-51-11	D00811	62	N2	4		VN111-VN150 VN376-VN380 VN821-VN920 VS246-VS248
658	24	PV	D01741	27	31-51-11	SM00062		N2	4		VN171-VN173
658	24	PV	D01741	27	31-51-11	D00811	62	N2	4	MOT-F2	VN174-VN190
658	24	PV	D01741	27	31-51-11	D00811	62	N2	3		VN531-VN630
658	24	PV	D01741	27	31-51-11	SM00062		N2	2		VS176-VS177
658	24	PV	D01741	27	31-51-11	D00811	62	N2	3		VB321-VB370 VF011-VF011 VF101-VF110 VF171-VF180 VN371-VN375 VN381-VN490 VN631-VN650 VN681-VN730 VN921-VN930 VS176-VS177
658Z			D01741		31-51-11	D00811	DED	N2			VL891-VL930 VN174-VN190 VN951-VN960 VS051-VS052
658Z			D01741		31-51-11	D00811	DED	N2			VN111-VN150 VN376-VN380 VN531-VN630 VN821-VN920 VS246-VS248
658Z			D01741	DED	31-51-11	SM00062	REF	N2			VN171-VN173
658Z			D01741		31-51-11	D00811	DED	N2		MTC-F2	VB321-VB370 VF011-VF011 VF101-VF110 VF171-VF180 VN371-VN375 VN381-VN490 VN631-VN650 VN681-VN730 VN921-VN930
659	24	PV	D01741	32	31-51-11	D00811	76	N2	4		VL891-VL930 VN951-VN960 VS051-VS052
659	24	PV	D01741	32	31-51-11	D00811	76	N2	4		VN111-VN150 VN376-VN380 VN821-VN920 VS246-VS248
659	24	PV	D01741	32	31-51-11	SM00059		N2	4		VN171-VN173
659	24	PV	D01741	32	31-51-11	D00811	76	N2	4	MOT-F2	VN174-VN190
659	24	PV	D01741	32	31-51-11	D00811	76	N2	3		VN531-VN630
659	24	PV	D01741	32	31-51-11	SM00059		N2	2		VS176-VS177
659	24	PV	D01741	32	31-51-11	D00811	76	N2	3		VB321-VB370 VF011-VF011 VF101-VF110 VF171-VF180 VN371-VN375 VN381-VN490 VN631-VN650 VN681-VN730 VN921-VN930 VS176-VS177

286T0045-101
Wire Bundle Assembly
Figure 101 (Sheet 223)

25-71-02



BOEING
COMPONENT
MAINTENANCE MANUAL

WIRE		FROM EQUIPMENT			TO EQUIPMENT			WIRE INFO		
NUMBER	GA TYP	NUMBER	TERM TT	WD REF	NUMBER	TERM TT	EMC/SEP	FT	NOTE	EFFECTIVITY
659Z		D01741		31-51-11	D00811	DED	N2			VL891-VL930 VN174-VN190 VN951-VN960 VS051-VS052
659Z		D01741		31-51-11	D00811	DED	N2			VN111-VN150 VN376-VN380 VN531-VN630 VN821-VN920 VS246-VS248
659Z		D01741	DED	31-51-11	SM00059	REF	N2			VN171-VN173
659Z		D01741		31-51-11	D00811	DED	N2		MTD-F2	VB321-VB370 VF011-VF011 VF101-VF110 VF171-VF180
660	20 UA	D01741		31-51-11	GDX0006	S..	2 N2	3		VN371-VN375 VN381-VN382 VN471-VN490 VN631-VN650
660	20 UA	D01741		31-51-11	GDX0006	S..	2 N2	3		VN681-VN730 VN921-VN930
660	20 UA	D01741		31-51-11	GDX0006	S..	2 N2	3		VL891-VL930 VN951-VN960 VS051-VS052
660	20 UA	D01741		31-51-11	GDX0006	S..	2 N2	3		VN171-VN173
660	20 UA	D01741		31-51-11	GDX0006	S..	2 N2	3	MNZ-T2	VN174-VN190
660	20 UA	D01741		31-51-11	GDX0006	S..	2 N2	1		VN383-VN470
660	20 UA	D01741		31-51-11	GDX0006	S..	2 N2	3		VS176-VS177
660	20 UA	D01741		31-51-11	GDX0006	S..	2 N2	1		VB321-VB370 VF011-VF011 VF101-VF110 VF171-VF180
661	24 PK	D01741	10	31-51-11	D00811	66	N2	4		VN371-VN375 VN381-VN490 VN631-VN650 VN681-VN730
661	24 PK	D01741	10	31-51-11	D00811	66	N2	4		VN921-VN930
661	24 PK	D01741	10	31-51-11	SM00063	66	N2	4		VL891-VL930 VN951-VN960 VS051-VS052
661	24 PK	D01741	10	31-51-11	D00811	66	N2	4	MOT-F2	VN111-VN150 VN376-VN380 VN821-VN920 VS246-VS248
661	24 PK	D01741	10	31-51-11	D00811	66	N2	3		VN171-VN173
661	24 PK	D01741	10	31-51-11	D00811	66	N2	4		VN174-VN190
661	24 PK	D01741	10	31-51-11	D00811	66	N2	3		VN531-VN630
661	24 PK	D01741	10	31-51-11	SM00063	66	N2	2		VS176-VS177
661	24 PK	D01741	10	31-51-11	D00811	66	N2	3		VB321-VB370 VF011-VF011 VN471-VN490 VN631-VN650
662	22 PA	D01741	14	31-51-11	GDX0006	D..	2 N2	3		VN921-VN930
662	22 PA	D01741	14	31-51-11	GDX0006	D..	2 N2	3		VF101-VF110 VF171-VF180 VL891-VL930 VN111-VN150
662	22 PA	D01741	14	31-51-11	GDX0006	D..	2 N2	3	MOT-F2	VN371-VN470 VN531-VN630 VN681-VN730 VN821-VN920
662	22 PA	D01741	14	31-51-11	GDX0006	D..	2 N2	3		VN951-VN960 VS051-VS052 VS246-VS248
										VN171-VN173
										VN174-VN190 VS176-VS177

286T0045-101
Wire Bundle Assembly
Figure 101 (Sheet 224)

25-71-02

WIRE		FROM EQUIPMENT			TO EQUIPMENT			WIRE INFO					
NUMBER	GA	TYP	NUMBER	TERM	FT	WD REF	NUMBER	TERM	TT	EMC/SEP	FT	NOTE	EFFECTIVITY
662	22	PA	D01741	14		31-51-11	GDX0006	D..	2	N2	1		VB321-VB370 VF011-VF011 VF101-VF110 VF171-VF180 VL891-VL930 VN111-VN150 VN371-VN490 VN531-VN650 VN681-VN730 VN821-VN930 VN951-VN960 VS051-VS052 VS246-VS248
663	24	PV	D00813	26		31-51-12	SM00073	W	N2	4			VF251-VF260 VN174-VN190 VS177-VS177
663	24	PV	D00813	26		31-51-12	SM00073	W	N2	2			VN171-VN173
663	24	PV	D00813	26		31-51-12	SM00073	W	N2	4		MPI-F2	VS176-VS176
663	24	PV	D00813	26		31-51-12	SM00073	W	N2	2			VB321-VB370 VF011-VF011 VF101-VF110 VF171-VF180 VF251-VF260 VL891-VL930 VN111-VN150 VN174-VN190 VN371-VN490 VN531-VN650 VN681-VN730 VN821-VN930 VN951-VN960 VS051-VS052 VS176-VS177 VS246-VS248
663Z			D00813	DED		31-51-12	SM00073	REF		N2			VN171-VN173
663Z			D00813	DED		31-51-12	SM00073	REF		N2		MTD-T2	VB321-VB370 VF011-VF011 VF101-VF110 VF171-VF180 VL891-VL930 VN111-VN150 VN371-VN490 VN531-VN650 VN681-VN730 VN821-VN930 VN951-VN960 VS051-VS052 VS246-VS248
664	24	PV	D00813	49		31-51-12	SM00074	W	N2	4			VF251-VF260 VN174-VN190 VS177-VS177
664	24	PV	D00813	49		31-51-12	SM00074	W	N2	2			VN171-VN173
664	24	PV	D00813	49		31-51-12	SM00074	W	N2	4		MPI-F2	VS176-VS176
664	24	PV	D00813	49		31-51-12	SM00074	W	N2	2			VB321-VB370 VF011-VF011 VF101-VF110 VF171-VF180 VF251-VF260 VL891-VL930 VN111-VN150 VN174-VN190 VN371-VN490 VN531-VN650 VN681-VN730 VN821-VN930 VN951-VN960 VS051-VS052 VS176-VS177 VS246-VS248
664Z			D00813	DED		31-51-12	SM00074	REF		N2			VN171-VN173
664Z			D00813	DED		31-51-12	SM00074	REF		N2		MTD-T2	VB321-VB370 VF011-VF011 VN471-VN490 VN631-VN650 VN921-VN930
665	24	PV	D01739	30		31-51-12	SM00073	W	N2	2			VF101-VF110 VF171-VF180 VL891-VL930 VN111-VN150 VN371-VN490 VN531-VN630 VN681-VN730 VN821-VN920 VN951-VN960 VS051-VS052 VS246-VS248

286T0045-101
Wire Bundle Assembly
Figure 101 (Sheet 225)

25-71-02



BOEING
COMPONENT
MAINTENANCE MANUAL

WIRE		FROM EQUIPMENT			TO EQUIPMENT			WIRE INFO						
NUMBER	GA	TYP	NUMBER	TERM	TT	WD	REF	NUMBER	TERM	TT	EMC/SEP	FT	NOTE	EFFECTIVITY
665	24	PV	D01739	30		31-51-12	SM00073	SM00073		W	N2	2		VF251-VF251
665	24	PV	D00819	CAP	Y	SPARE	SM00073	SM00073		W	N2	1		VN171-VN173
665	24	PV	D01739	30		31-51-12	SM00073	SM00073		W	N2	2	MOT-F2	VN174-VN190 VS176-VS177
665	24	PV	D01739	30		31-51-12	SM00073	SM00073		W	N2	1		VB321-VB370 VF011-VF011 VN471-VN490 VN631-VN650 VN921-VN930
665Z			D01739	DED		31-51-12	SM00073	SM00073	REF		N2			VF101-VF110 VF171-VF180 VL891-VL930 VN111-VN150 VN174-VN190 VN371-VN470 VN531-VN630 VN681-VN730 VN821-VN920 VN951-VN960 VS051-VS052 VS176-VS177 VS246-VS248
665Z			D01739	DED		31-51-12	SM00073	SM00073	REF		N2			VF251-VF251
665Z			D00819	DED		SPARE	SM00073	SM00073	REF		N2			VN171-VN173
665Z			D01739	DED		31-51-12	SM00073	SM00073	REF		N2		MTC-T2	VB321-VB370 VF011-VF011 VN471-VN490 VN631-VN650 VN921-VN930
666	24	PV	D01739	33		31-51-12	SM00074	SM00074		W	N2	2		VF101-VF110 VF171-VF180 VL891-VL930 VN111-VN150 VN371-VN470 VN531-VN630 VN681-VN730 VN821-VN920 VN951-VN960 VS051-VS052 VS246-VS248
666	24	PV	D01739	33		31-51-12	SM00074	SM00074		W	N2	2		VF251-VF251
666	24	PV	D00819	CAP	Y	SPARE	SM00074	SM00074		W	N2	1		VN171-VN173
666	24	PV	D01739	33		31-51-12	SM00074	SM00074		W	N2	2	MOT-F2	VN174-VN190 VS176-VS177
666	24	PV	D01739	33		31-51-12	SM00074	SM00074		W	N2	1		VB321-VB370 VF011-VF011 VN471-VN490 VN631-VN650 VN921-VN930
666Z			D01739	DED		31-51-12	SM00074	SM00074	REF		N2			VF101-VF110 VF171-VF180 VL891-VL930 VN111-VN150 VN174-VN190 VN371-VN470 VN531-VN630 VN681-VN730 VN821-VN920 VN951-VN960 VS051-VS052 VS176-VS177 VS246-VS248
666Z			D01739	DED		31-51-12	SM00074	SM00074	REF		N2			VF251-VF251
666Z			D00819	DED		SPARE	SM00074	SM00074	REF		N2			VN171-VN173
666Z			D01739	DED		31-51-12	SM00074	SM00074	REF		N2		MTC-T2	VB321-VB370 VF011-VF011 VN471-VN490 VN631-VN650 VN921-VN930

286T0045-101
Wire Bundle Assembly
Figure 101 (Sheet 226)

25-71-02

WIRE		FROM EQUIPMENT			TO EQUIPMENT			WIRE INFO			
NUMBER	GA	TYP	NUMBER	TERM	WD REF	NUMBER	TERM	FT	NOTE	EFFECTIVITY	
667	24	PK	D01739	9	31-51-12	SM00025		2		VF101-VF110 VF171-VF180 VL891-VL930 VN111-VN150 VN371-VN470 VN531-VN630 VN681-VN730 VN821-VN920 VN951-VN960 VS051-VS052 VS246-VS248	
667	24	PK	D01739	9	31-51-12	SM00025		2		VF251-VF251	
667	24	PK	D00819	CAP	SPARE	SM00025	Y	1		VN171-VN173	
667	24	PK	D01739	9	31-51-12	SM00025		2	MOT-F2	VN174-VN190 VS176-VS177	
667	24	PK	D01739	9	31-51-12	SM00025		1		VN321-VB370 VF011-VF011 VN471-VN490 VN631-VN650 VN921-VN930	
668	22	PA	D01739	15	31-51-12	GDX0006	D..	3		VF101-VF110 VF171-VF180 VL891-VL930 VN111-VN150 VN371-VN470 VN531-VN630 VN681-VN730 VN821-VN920 VN951-VN960 VS051-VS052 VS246-VS248	
668	22	PA	D01739	15	31-51-12	GDX0006	D..	3		VN171-VN173	
668	22	PA	D01739	15	31-51-12	GDX0006	D..	3	MOT-F2	VN174-VN190 VS176-VS177	
668	22	PA	D01739	15	31-51-12	GDX0006	D..	2		VB321-VB370 VF011-VF011 VF101-VF110 VF171-VF180 VL891-VL930 VN371-VN375 VN381-VN490 VN631-VN650 VN681-VN730 VN921-VN930 VN951-VN960 VS051-VS052	
669	24	PV	D01741	30	31-51-12	D00813	62	4		VN111-VN150 VN376-VN380 VN821-VN920 VS246-VS248	
669	24	PV	D01741	30	31-51-12	SM00072		4		VN171-VN173	
669	24	PV	D01741	30	31-51-12	D00813	62	4	MOT-F2	VN174-VN190	
669	24	PV	D01741	30	31-51-12	D00813	62	2		VN531-VN630	
669	24	PV	D01741	30	31-51-12	SM00072		2		VS176-VS176	
669	24	PV	D01741	30	31-51-12	D00813	62	2		VS177-VS177	
669	24	PV	D01741	30	31-51-12	D00813	62	2		VB321-VB370 VF011-VF011 VF101-VF110 VF171-VF180 VN371-VN375 VN381-VN490 VN631-VN650 VN681-VN730 VN921-VN930 VS176-VS177	
669Z			D01741		31-51-12	D00813	DED			VL891-VL930 VN951-VN960 VS051-VS052	
669Z			D01741		31-51-12	D00813	DED			VN111-VN150 VN376-VN380 VN531-VN630 VN821-VN920 VS246-VS248	

286T0045-101
Wire Bundle Assembly
Figure 101 (Sheet 227)

25-71-02



BOEING
COMPONENT
MAINTENANCE MANUAL

WIRE		FROM EQUIPMENT			TO EQUIPMENT			WIRE INFO			
NUMBER	GA	TYP	NUMBER	TERM TT	WD REF	NUMBER	TERM TT	EMC/SEP	FT	NOTE	EFFECTIVITY
669Z			D01741	DED	31-51-12	SM00072	REF	N2			VN171-VN173
669Z			D01741		31-51-12	D00813	DED	N2		MTC-F2	VN174-VN190
669Z			D01741	DED	31-51-12	D00813	DED	N2			VB321-VB370 VF011-VF011 VF101-VF110 VF171-VF180
670	24	PV	D01741	33	31-51-12	D00813	76	N2	4		VN371-VN375 VN381-VN490 VN631-VN650 VN681-VN730
670	24	PV	D01741	33	31-51-12	D00813	76	N2	4		VN921-VN930
670	24	PV	D01741	33	31-51-12	SM00064		N2	4		VL891-VL930 VN951-VN960 VS051-VS052
670	24	PV	D01741	33	31-51-12	D00813	76	N2	4		VN111-VN150 VN376-VN380 VN821-VN920 VS246-VS248
670	24	PV	D01741	33	31-51-12	D00813	76	N2	4		VN171-VN173
670	24	PV	D01741	33	31-51-12	D00813	76	N2	4	MOT-F2	VN174-VN190
670	24	PV	D01741	33	31-51-12	D00813	76	N2	2		VN531-VN630
670	24	PV	D01741	33	31-51-12	SM00064		N2	2		VS176-VS176
670	24	PV	D01741	33	31-51-12	D00813	76	N2	2		VS177-VS177
670	24	PV	D01741	33	31-51-12	D00813	76	N2	2		VB321-VB370 VF011-VF011 VF101-VF110 VF171-VF180
670Z			D01741		31-51-12	D00813	DED	N2			VN371-VN375 VN381-VN490 VN631-VN650 VN681-VN730
670Z			D01741		31-51-12	D00813	DED	N2			VN921-VN930 VS176-VS177
670Z			D01741	DED	31-51-12	SM00064	REF	N2			VL891-VL930 VN174-VN190 VN951-VN960 VS051-VS052
670Z			D01741	DED	31-51-12	D00813	DED	N2			VN111-VN150 VN376-VN380 VN531-VN630 VN821-VN920
671	20	UA	D01741		31-51-12	GDX0006	S..	N2	3		VS246-VS248
671	20	UA	D01741		31-51-12	GDX0006	S..	N2	3		VN171-VN173
671	20	UA	D01741		31-51-12	GDX0006	S..	N2	3	MTC-F2	VN174-VN190
671	20	UA	D01741		31-51-12	GDX0006	S..	N2	1	MTC-F2	VN383-VN470
671	20	UA	D01741		31-51-12	GDX0006	S..	N2	3		VS176-VS177
671	20	UA	D01741		31-51-12	GDX0006	S..	N2	1		VB321-VB370 VF011-VF011 VF101-VF110 VF171-VF180
671	20	UA	D01741		31-51-12	GDX0006	S..	N2	1		VN371-VN375 VN381-VN490 VN631-VN650 VN681-VN730
671	20	UA	D01741		31-51-12	GDX0006	S..	N2	1		VN921-VN930

286T0045-101
Wire Bundle Assembly
Figure 101 (Sheet 228)

25-71-02

WIRES		FROM EQUIPMENT				TO EQUIPMENT				WIRE INFO			
NUMBER	GA	TYP	NUMBER	TERM TT	WD REF	NUMBER	TERM TT	EMC/SEP	FT	NOTE	EFFECTIVITY		
672	24	PK	D01741	9	31-51-12	D00813	66	N2	4		VL891-VL930 VN951-VN960 VS051-VS052		
672	24	PK	D01741	9	31-51-12	D00813	66	N2	4		VN111-VN150 VN376-VN380 VN821-VN920 VS246-VS248		
672	24	PK	D01741	9	31-51-12	SM00076		W	4		VN171-VN173		
672	24	PK	D01741	9	31-51-12	D00813	66	N2	4	MOT-F2	VN174-VN190		
672	24	PK	D01741	9	31-51-12	D00813	66	N2	2		VN531-VN630		
672	24	PK	D01741	9	31-51-12	SM00076		W	2		VS176-VS176		
672	24	PK	D01741	9	31-51-12	D00813	66	N2	2		VS177-VS177		
672	24	PK	D01741	9	31-51-12	D00813	66	N2	2		VB321-VB370 VF011-VF011 VN371-VN490 VN631-VN650		
673	22	PA	D01741	15	31-51-12	GDX0006	D..	2	3		VN681-VN730 VN921-VN930		
673	22	PA	D01741	15	31-51-12	GDX0006	D..	2	3		VF101-VF110 VF171-VF180 VL891-VL930 VN111-VN150		
673	22	PA	D01741	15	31-51-12	GDX0006	D..	2	3	MOT-F2	VN531-VN630 VN821-VN920 VN951-VN960 VS051-VS052		
673	22	PA	D01741	15	31-51-12	GDX0006	D..	2	1		VS246-VS248		
673	22	PA	D01741	15	31-51-12	GDX0006	D..	2	1		VN171-VN173		
674	24	PK	D01739	24	31-51-31	D01487	53	N2	3		VN174-VN190		
674	24	PK	D01487	53	31-51-31	D01739	24	N2	4		VS176-VS177		
674	24	PK	D01739	24	31-51-31	D01487	53	N2	3	MOT-B2	VB321-VB370 VF011-VF011 VF101-VF110 VF171-VF180		
674	24	PK	D01739	24	31-51-31	D01487	53	N2	2	MOT-B2	VN371-VN376 VN381-VN382 VN471-VN490 VN631-VN650		
675	24	PK	D01741	24	31-51-32	D00817	53	N2	3		VN681-VN730 VN921-VN930		
675	24	PK	D01741	24	31-51-32	D00817	53	N2	3		VL891-VL930 VN111-VN150 VN531-VN630 VN821-VN920		
675	24	PK	D01741	24	31-51-32	D00817	53	N2	3		VN951-VN960 VS051-VS052 VS246-VS248		
675	24	PK	D01741	24	31-51-32	D00817	53	N2	3	MOT-B2	VN171-VN173		
											VN174-VN190		

286T0045-101
Wire Bundle Assembly
Figure 101 (Sheet 229)

25-71-02



BOEING
COMPONENT
MAINTENANCE MANUAL

WIRE		FROM EQUIPMENT			TO EQUIPMENT			WIRE INFO			
NUMBER	GA	TYP	PK NUMBER	TERM FT	WD REF	NUMBER	TERM TT	EMC/SEP	FT	NOTE	EFFECTIVITY
675	24	PK	D01741	24	31-51-32	D00817	53	N2	2	MOT-B2	VB321-VB370 VF011-VF011 VF101-VF110 VF171-VF180 VN371-VN376 VN381-VN382 VN471-VN490 VN631-VN635 VN637-VN650 VN681-VN730 VN921-VN930
676	24	PK	D01739	1	31-51-35	SM00036		N2	2		VL891-VL930 VN111-VN150 VN531-VN545 VN551-VN556 VN558-VN630 VN821-VN920 VN951-VN960 VS051-VS052 VS246-VS248
676	24	PK	D01739	1	31-51-35	SM00036		N2	2		VN171-VN173
676	24	PK	D01739	1	31-51-35	SM00036		N2	2	MOT-F2	VN174-VN190
676	24	PK	D01739	1	31-51-35	SM00036		N2	1		VN557-VN557
676	24	PK	D01487	50	31-51-31	SM00036		N2	2		VB321-VB370 VF011-VF011 VF101-VF110 VF171-VF180 VN371-VN376 VN381-VN382 VN471-VN490 VN631-VN635 VN637-VN650 VN681-VN730 VN921-VN930
677	24	PK	D01739	3	31-51-35	SM00035		N2	2		VL891-VL930 VN111-VN150 VN531-VN545 VN551-VN556 VN558-VN630 VN821-VN920 VN951-VN960 VS051-VS052 VS246-VS248
677	24	PK	D01739	3	31-51-35	SM00035		N2	2		VN171-VN173
677	24	PK	D01739	3	31-51-35	SM00035		N2	2	MOT-F2	VN174-VN190
677	24	PK	D01739	3	31-51-35	SM00035		N2	1		VN557-VN557
677	24	PK	D01487	1	31-51-31	SM00035		N2	2		VB321-VB370 VF011-VF011 VF101-VF110 VF171-VF180 VN371-VN376 VN381-VN382 VN471-VN490 VN631-VN635 VN637-VN650 VN681-VN730 VN921-VN930
679	24	PK	D01741	1	31-51-36	SM00036		N2	2		VL891-VL930 VN111-VN150 VN531-VN545 VN551-VN556 VN558-VN630 VN821-VN920 VN951-VN960 VS051-VS052 VS246-VS248
679	24	PK	D01741	1	31-51-36	SM00036		N2	2		VN171-VN173
679	24	PK	D01741	1	31-51-36	SM00036		N2	2	MOT-F2	VN174-VN190
679	24	PK	D01741	1	31-51-36	SM00036		N2	1		VN557-VN557

286T0045-101
Wire Bundle Assembly
Figure 101 (Sheet 230)

25-71-02



COMPONENT
MAINTENANCE MANUAL

WIRE		FROM EQUIPMENT			TO EQUIPMENT			WIRE INFO			
NUMBER	GA	TYP	NUMBER	TERM TT	WD REF	NUMBER	TERM TT	EMC/SEP	FT	NOTE	EFFECTIVITY
679	24	PK	D00817	50	31-51-32	SM00036		W N2	2		VB321-VB370 VF011-VF011 VF101-VF110 VF171-VF180 VN371-VN376 VN381-VN382 VN471-VN490 VN631-VN635 VN637-VN650 VN681-VN730 VN921-VN930
680	24	PK	D01741	3	31-51-36	SM00035		W N2	2		VL891-VL930 VN111-VN150 VN531-VN545 VN551-VN556 VN558-VN630 VN821-VN920 VN951-VN960 VS051-VS052 VS246-VS248
680	24	PK	D01741	3	31-51-36	SM00035		W N2	2		VN171-VN173
680	24	PK	D01741	3	31-51-36	SM00035		W N2	2	MOT-F2	VN174-VN190
680	24	PK	D01741	3	31-51-36	SM00035		W N2	1		VN557-VN557
680	24	PK	D00817	1	31-51-32	SM00035		W N2	2		VA001-VB100 VB105-VB250 VB254-VB410 VB421-VE180 VF001-VF011 VF021-VF110 VF161-VF180 VK001-VK180 VL001-VL040 VL701-VL790 VL796-VL805 VL891-VL930 VM999-VN095 VN111-VN173 VN191-VN340 VN371-VN656 VN671-VN960 VN966-VN967 VN971-VN990 VR401-VR401 VR421-VR421 VR426-VR427 VR471-VR471 VS051-VS052 VS066-VS070 VS073-VS073 VS196-VS199 VS246-VS248 VS266-VS268
681	24	PK	D01433	10	31-51-43	D04507J	10	N2	3		VB101-VB104 VB251-VB253
681	24	PK	D01433	10	31-51-43	D04507J	10	N2	3	ZSZ-B6	VF251-VF260 VK181-VK190 VL806-VL810 VL871-VL880 VL931-VL945 VN096-VN110 VN174-VN190 VN657-VN670 VN968-VN970 VR461-VR461 VS061-VS061 VS091-VS094 VS111-VS111 VS131-VS132 VS176-VS177 VS186-VS187 VS206-VS207 VS261-VS262

286T0045-101
Wire Bundle Assembly
Figure 101 (Sheet 231)

25-71-02



BOEING
COMPONENT
MAINTENANCE MANUAL

WIRE		FROM EQUIPMENT			TO EQUIPMENT			WIRE INFO		
NUMBER	GA TYP	NUMBER	TERM TT	WD REF	NUMBER	TERM TT	EMC/SEP	FT	NOTE	EFFECTIVITY
681	24 PK	D01433	10	31-51-43	D04507J	10	N2	2		VA001-VA001 VA021-VA300 VA316-VA500 VA520-VA800 VA811-VB100 VB105-VB250 VB254-VB300 VB302-VB370 VB374-VB410 VB421-VE020 VE024-VE100 VE104-VE180 VF001-VF011 VF021-VF110 VF161-VF180 VK001-VK180 VL001-VL040 VL701-VL790 VL796-VL805 VL891-VL930 VM999-VN095 VN111-VN173 VN191-VN340 VN371-VN656 VN671-VN960 VN966-VN967 VN971-VN990 VR401-VR401 VR421-VR421 VR426-VR427 VR471-VR471 VS051-VS052 VS066-VS070 VS073-VS073 VS196-VS199 VS246-VS248 VS266-VS268
682	24 PK	D01433	13	31-51-43	D04347J	46	N2	3		VA002-VA020 VA301-VA315 VA501-VA519 VA801-VA810 VB301-VB301 VB371-VB373 VE021-VE023 VE101-VE103
682	24 PK	D01433	13	31-51-43	D04347J	46	N2	3	MZK-T2	VB101-VB104 VB251-VB253
682	24 PK	D01433	13	31-51-43	D04347J	46	N2	3	ZSZ-B6	VF251-VF260 VK181-VK190 VL806-VL810 VL871-VL880 VL931-VL945 VN096-VN110 VN174-VN190 VN657-VN670 VN968-VN970 VR461-VR461 VS061-VS061 VS091-VS094 VS111-VS111 VS131-VS132 VS176-VS177 VS186-VS187 VS206-VS207 VS261-VS262
682	24 PK	D01433	13	31-51-43	D04347J	46	N2	2		VA001-VA001 VA701-VA712 VB001-VB002 VB051-VB055 VB201-VB202 VB281-VB284 VB321-VB322 VB401-VB401 VE041-VE043 VE061-VE068 VE116-VE116
683	22 PA	D01433	41	31-51-43	D04349J	46	N2	3		VA002-VA020 VA301-VA315 VA501-VA519 VA801-VA810 VB105-VB123 VB301-VB301 VB371-VB373 VE021-VE023 VE101-VE103

286T0045-101
Wire Bundle Assembly
Figure 101 (Sheet 232)

25-71-02

WIRE		FROM EQUIPMENT			TO EQUIPMENT			WIRE INFO			
NUMBER	GA	TYP	NUMBER	TERM FT	WD REF	NUMBER	TERM FT	EMC / SEP	FT	NOTE	EFFECTIVITY
683	22	PA	D01433	41	31-51-43	SM00081	W	N2	3	MHE-T2	VA021-VA300 VA316-VA500 VA520-VA700 VA713-VA800 VA811-VA999 VB003-VB050 VB056-VB100 VB124-VB200 VB203-VB250 VB254-VB280 VB285-VB300 VB303-VB320 VB325-VB370 VB374-VB400 VB402-VB410 VB421-VD999 VE003-VE020 VE024-VE040 VE044-VE060 VE069-VE100 VE104-VE115 VE118-VE180 VF001-VF011 VF021-VF110 VF161-VF180 VK001-VK180 VL001-VL040 VL701-VL790 VL796-VL805 VL891-VL930 VM999-VN095 VN111-VN173 VN191-VN340 VN371-VN656 VN671-VN960 VN966-VN967 VN971-VN990 VR401-VR401 VR421-VR421 VR426-VR427 VR471-VR471 VS051-VS052 VS066-VS070 VS073-VS073 VS196-VS199 VS246-VS248 VS266-VS268
683	22	PA	D01433	41	31-51-43	SM00081	W	N2	2		VB101-VB104
683	22	PA	D01433	41	31-51-43	SM00081	W	N2	3	ZSZ-B6	VB251-VB253 VB323-VB324 VE001-VE002
683	22	PA	D01433	41	31-51-43	SM00081	W	N2	3	MHE-T2	VB302-VB302
683	22	PA	D01433	41	31-51-43	SM00081	W	N2	3		VE117-VE117
683	22	PA	D01433	41	31-51-43	SM00081	W	N2	3	MHE-T2	VF251-VF260 VK181-VK190 VL806-VL810 VL871-VL880 VL931-VL945 VN096-VN110 VN174-VN190 VN657-VN670 VN968-VN970 VR461-VR461 VS061-VS061 VS091-VS094 VS111-VS111 VS131-VS132 VS176-VS177 VS186-VS187 VS206-VS207 VS261-VS262

 286T0045-101
 Wire Bundle Assembly
 Figure 101 (Sheet 233)

25-71-02

 TESTING & TROUBLE SHOOTING
 01 Page 126B
 Nov 01/02



BOEING
COMPONENT
MAINTENANCE MANUAL

WIRE		FROM EQUIPMENT			TO EQUIPMENT			WIRE INFO					
NUMBER	GA	TYP	NUMBER	TERM	TT	WD REF	NUMBER	TERM	TT	EMC/SEP	FT	NOTE	EFFECTIVITY
683	22	PA	D01433	41		31-51-43	SM00081		W	N2	1		VA001-VA001 VA021-VA300 VA316-VA500 VA520-VA800 VA811-VA999 VB003-VB100 VB105-VB250 VB254-VB300 VB302-VB370 VB374-VB410 VB421-VE020 VE024-VE100 VE104-VE180 VF001-VF011 VF021-VF110 VF161-VF180 VK001-VK180 VL001-VL040 VL701-VL790 VL796-VL805 VL891-VL930 VM999-VN095 VN111-VN173 VN191-VN340 VN371-VN656 VN671-VN960 VN966-VN967 VN971-VN990 VR401-VR401 VR421-VR421 VR426-VR427 VR471-VR471 VS051-VS052 VS066-VS070 VS073-VS073 VS196-VS199 VS246-VS248 VS266-VS268
684	20	PA	GDX0001	D..	2	31-51-43	D04349J	47		N2	3		VA002-VA020 VA301-VA315 VA501-VA519 VA801-VA810 VB301-VB301 VB371-VB373 VE021-VE023 VE101-VE103
684	20	PA	GDX0001	D..	2	31-51-43	D04349J	47		N2	3	MZK-T2	VB001-VB002
684	20	PA	GDX0001	D..	2	31-51-43	D04349J	47		N2	3		VB101-VB104
684	20	PA	GDX0001	D..	2	27-32-11	D04349J	47		N2	4	ZSZ-B6	VB251-VB253
684	20	PA	GDX0001	D..	2	31-51-43	D04349J	47		N2	3	ZSZ-B6	VF251-VF260 VK181-VK190 VL806-VL810 VL871-VL880 VL931-VL945 VN096-VN110 VN174-VN190 VN657-VN670 VN968-VN970 VR461-VR461 VS061-VS061 VS091-VS094 VS111-VS111 VS131-VS132 VS176-VS177 VS186-VS187 VS206-VS207 VS261-VS262
684	20	PA	GDX0001	D..	2	31-51-43	D04349J	47		N2	2		VA002-VA020 VA501-VA519 VA801-VA810 VB251-VB253 VB301-VB302 VB323-VB324 VE001-VE002 VE021-VE023 VE101-VE103

286T0045-101
Wire Bundle Assembly
Figure 101 (Sheet 234)

25-71-02



COMPONENT
MAINTENANCE MANUAL

WIRE			FROM EQUIPMENT			TO EQUIPMENT			WIRE INFO		
NUMBER	GA	TYP	NUMBER	TERM FT	WD REF	NUMBER	TERM FT	EMC/SEP	FT	NOTE	EFFECTIVITY
685	24	PK	D00823	58	27-32-12	D01505	A1	N2	3	MOT-F2	VA021-VA300 VA316-VA500 VA520-VA700 VA713-VA800 VA811-VA999 VB003-VB050 VB056-VB100 VB124-VB200 VB203-VB250 VB254-VB280 VB285-VB300 VB303-VB320 VB325-VB370 VB374-VB400 VB402-VB410 VB421-VB999 VE003-VE020 VE024-VE040 VE044-VE060 VE069-VE100 VE104-VE115 VE118-VE180 VF001-VF011 VF021-VF110 VL161-VL180 VK001-VK180 VL001-VL040 VL701-VL790 VL796-VL805 VL891-VL930 VM999-VN095 VN111-VN173 VN191-VN340 VN371-VN656 VN671-VN960 VN966-VN967 VN971-VN990 VR401-VR401 VR421-VR421 VR426-VR427 VR471-VR471 VS051-VS052 VS066-VS070 VS073-VS073 VS196-VS199 VS246-VS248 VS266-VS268
685	24	PK	D00823	58	27-32-12	D01505	A1	N2	3	MOT-B2	VA301-VA315 VB101-VB123 VB371-VB373 VE117-VE117
685	24	PK	D00823	58	27-32-12	D01505	A1	N2	5	MOT-F2	VE251-VF260 VK181-VK190 VL806-VL810 VL871-VL880 VL931-VL945 VN096-VN110 VN174-VN190 VN657-VN670 VN968-VN970 VR461-VR461 VS061-VS061 VS091-VS094 VS111-VS111 VS131-VS132 VS176-VS177 VS186-VS187 VS206-VS207 VS261-VS262
685	24	PK	D00823	58	27-32-12	D01505	A1	N2	2		VA002-VA020 VA501-VA519 VA801-VA810 VB101-VB123 VB251-VB253 VB301-VB302 VB323-VB324 VE001-VE002 VE021-VE023 VE101-VE103

286T0045-101
Wire Bundle Assembly
Figure 101 (Sheet 235)

25-71-02



BOEING
COMPONENT
MAINTENANCE MANUAL

WIRE		FROM EQUIPMENT			TO EQUIPMENT			WIRE INFO					
NUMBER	CA	TYP	NUMBER	TERM	TT	WD REF	NUMBER	TERM	TT	EMC/SEP	FT	NOTE	EFFECTIVITY
686	24	PK	D00823	8		27-32-11	SM00038			N2	2	MOT-F2	VA021-VA300 VA316-VA500 VA520-VA700 VA713-VA800 VA811-VA999 VB003-VB050 VB056-VB100 VB124-VB200 VB203-VB250 VB254-VB280 VB285-VB300 VB303-VB320 VB325-VB370 VB374-VB400 VB402-VB410 VB421-VB999 VE003-VE020 VE024-VE040 VE044-VE060 VE069-VE100 VE104-VE115 VE118-VE180 VF001-VF011 VF021-VF110 VF161-VF180 VK001-VK180 VL001-VL040 VL701-VL790 VL796-VL805 VL891-VL930 VM999-VN095 VN111-VN173 VN191-VN340 VN371-VN656 VN671-VN960 VN966-VN967 VN971-VN990 VR401-VR401 VR421-VR421 VR426-VR427 VR471-VR471 VS051-VS052 VS066-VS070 VS073-VS073 VS196-VS199 VS246-VS248 VS266-VS268
686	24	PK	D00823	8		27-32-11	SM00038			N2	2		VA301-VA315 VB371-VB373
686	24	PK	D00823	8		27-32-11	SM00038			N2	2	MOT-F2	VE117-VE117
686	24	PK	D00823	8		27-32-11	SM00038			N2	5	MOT-F2	VF251-VF260 VK181-VK190 VL806-VL810 VL871-VL880 VL931-VL945 VN096-VN110 VN174-VN190 VN657-VN670 VN968-VN970 VR461-VR461 VS061-VS061 VS091-VS094 VS111-VS111 VS131-VS132 VS176-VS177 VS186-VS187 VS206-VS207 VS261-VS262
686	24	PK	D00823	8		27-32-11	SM00038			N2	1		VA002-VA020 VA301-VA315 VA501-VA519 VA801-VA810 VB105-VB123 VB251-VB253 VB301-VB302 VB323-VB324 VB371-VB373 VE001-VE002 VE021-VE023 VE101-VE103

286T0045-101
Wire Bundle Assembly
Figure 101 (Sheet 236)

25-71-02

WIRE		FROM EQUIPMENT			TO EQUIPMENT			WIRE INFO					
NUMBER	GA	TYP	NUMBER	TERM	TT	WD REF	NUMBER	TERM	TT	EMC / SEP	FT	NOTE	EFFECTIVITY
687	24	PK	D00823	64		27-32-11	SM00081			N2	2	MOT-F2	VA0211-VA300 VA316-VA500 VA520-VA700 VA713-VA800 VA811-VA999 VB003-VB050 VB056-VB100 VB124-VB200 VB203-VB250 VB254-VB280 VB285-VB300 VB303-VB320 VB325-VB370 VB374-VB400 VB402-VB410 VB421-VD999 VE003-VE020 VE024-VE040 VE044-VE060 VE069-VE100 VE104-VE115 VE118-VE180 VF001-VF011 VF021-VF110 VF161-VF180 VK001-VK180 VL001-VL040 VL701-VL790 VL796-VL805 VL891-VL930 VM999-VN095 VNI111-VNI173 VN191-VN340 VN371-VN656 VN671-VN960 VNS66-VNS67 VN971-VN990 VR401-VR401 VR421-VR421 VR426-VR427 VR471-VR471 VS051-VS052 VS066-VS070 VS073-VS073 VS196-VS199 VS246-VS248 VS266-VS268
687	24	PK	D00823	64		27-32-11	SM00081			N2	2		VB101-VB104
687	24	PK	D00823	64		31-52-43	SM00081			N2	2	ZSZ-B6	VE117-VE117
687	24	PK	D00823	64		27-32-11	SM00081			N2	5	MOT-F2	VF251-VF260 VK181-VK190 VL806-VL810 VL871-VL880 VL931-VL945 VN096-VN110 VN174-VN190 VN657-VN670 VN968-VN970 VR461-VR461 VS061-VS061 VS091-VS094 VS111-VS111 VS131-VS132 VS176-VS177 VS186-VS187 VS206-VS207 VS261-VS262
687	24	PK	D00823	64		27-32-11	SM00081			N2	1		VA002-VA020 VA501-VA519 VA801-VA810 VB251-VB253 VB301-VB302 VB323-VB324 VE001-VE002 VE021-VE023 VE101-VE103

286T0045-101
Wire Bundle Assembly
Figure 101 (Sheet 237)

25-71-02



BOEING
COMPONENT
MAINTENANCE MANUAL

WIRE			FROM EQUIPMENT			TO EQUIPMENT			WIRE INFO		
NUMBER	GA	TYP	NUMBER	TERM TT	WD REF	NUMBER	TERM TT	EMC/SEP	FT	NOTE	EFFECTIVITY
688	24	PK	D01381	58	27-32-22	D01503	A1	N2	3	MOT-F2	VA021-VA300 VA316-VA500 VA520-VA700 VA713-VA800 VA811-VA999 VB003-VB050 VB056-VB100 VB124-VB200 VB203-VB250 VB254-VB280 VB285-VB300 VB303-VB320 VB325-VB370 VB374-VB400 VB402-VB410 VB421-VB999 VE003-VE020 VE024-VE040 VE044-VE060 VE069-VE100 VE104-VE115 VE118-VE180 VF001-VF011 VF021-VF110 VF161-VF180 VK001-VK180 VL001-VL040 VL701-VL790 VL796-VL805 VL891-VL930 VM999-VN095 VN111-VN173 VN191-VN340 VN371-VN656 VN671-VN960 VN966-VN967 VN971-VN990 VR401-VR401 VR421-VR421 VR426-VR427 VR471-VR471 VS051-VS052 VS066-VS070 VS073-VS073 VS196-VS199 VS246-VS248 VS266-VS268
688	24	PK	D01381	58	27-32-22	D01503	A1	N2	3	MOT-B2	VA301-VA315 VB101-VB123 VB371-VB373
688	24	PK	D01381	58	27-32-22	D01503	A1	N2	3	MOT-F2	VE117-VE117
688	24	PK	D01381	58	27-32-22	D01503	A1	N2	5	MOT-F2	VF251-VF260 VK181-VK190 VL806-VL810 VL871-VL880 VL931-VL945 VN096-VN110 VN174-VN190 VN657-VN670 VN968-VN970 VR461-VR461 VS061-VS061 VS091-VS094 VS111-VS111 VS131-VS132 VS176-VS177 VS186-VS187 VS206-VS207 VS261-VS262
688	24	PK	D01381	58	27-32-22	D01503	A1	N2	2		VA002-VA020 VA301-VA315 VA501-VA519 VA801-VA810 VB101-VB123 VB251-VB253 VB301-VB302 VB323-VB324 VB371-VB373 VE001-VE002 VE021-VE023 VE101-VE103

286T0045-101
Wire Bundle Assembly
Figure 101 (Sheet 238)

25-71-02

WIRE		FROM EQUIPMENT			TO EQUIPMENT			WIRE INFO			
NUMBER	GA	TYP	NUMBER	TERM TT	WD REF	NUMBER	TERM TT	EMC/SEP	FT	NOTE	EFFECTIVITY
689	24	PK	D01381	45	27-32-22	SM00085		W N2	2	MOT-F2	VA021-VA300 VA316-VA500 VA520-VA700 VA713-VA800 VA811-VA999 VB003-VB050 VB056-VB100 VB124-VB200 VB203-VB250 VB254-VB280 VB285-VB300 VB303-VB320 VB325-VB370 VB374-VB400 VB402-VB410 VB421-VD999 VE003-VE020 VE024-VE040 VE044-VE060 VE069-VE100 VE104-VE115 VE118-VE180 VF001-VF011 VF021-VF060 VF063-VF110 VF161-VF180 VK001-VK180 VL001-VL040 VL701-VL790 VL796-VL805 VL891-VL930 VM999-VM095 VN111-VN173 VN191-VN340 VN371-VN656 VN671-VN960 VN966-VN967 VN971-VN990 VR401-VR401 VR421-VR421 VR426-VR427 VR471-VR471 VS051-VS052 VS066-VS070 VS073-VS073 VS196-VS199 VS246-VS248 VS266-VS268
689	24	PK	D01381	45	27-32-22	SM00085		W N2	2		VE117-VE117
689	24	PK	D01381	45	27-32-22	SM00085		W N2	5	MOT-F2	VF061-VF062
689	24	PK	D01381	45	27-32-22	SM00085		W N2	2	MZK-T2	VF251-VF260 VK181-VK190 VL806-VL810 VL871-VL880 VL931-VL945 VN096-VN110 VN174-VN190 VN657-VN670 VN968-VN970 VR461-VR461 VS061-VS061 VS091-VS094 VS111-VS111 VS131-VS132 VS176-VS177 VS186-VS187 VS206-VS207 VS261-VS262
689	24	PK	D01381	45	27-32-22	SM00085		W N2	1		VK001-VK006 VK021-VK022
690	24	PK	D01381	42	27-32-22	SM00085		W N2	2		VK023-VK054
690	24	PK	D01381	44	27-32-22	SM00085		W N2	2		VB441-VB450 VE121-VE140 VE171-VE180 VF021-VF040 VK131-VK160 VL011-VL040 VN531-VN630 VR426-VR427
691	24	PK	D01381	10	27-32-22	SM00085		W N2	2		VL941-VL945
691	24	PK	D01381	10	27-32-22	SM00085		W N2	1		VA002-VA020 VA301-VA315 VA501-VA519 VA801-VA810 VB101-VB123 VB251-VB253 VB301-VB302 VB323-VB324 VB371-VB373 VE001-VE002 VE021-VE023 VE101-VE103

286T0045-101
Wire Bundle Assembly
Figure 101 (Sheet 239)

25-71-02



BOEING
COMPONENT
MAINTENANCE MANUAL

WIRE		FROM EQUIPMENT			TO EQUIPMENT			WIRE INFO			
NUMBER	GA	TYP	NUMBER	TERM TT	WD REF	NUMBER	TERM TT	EMC / SEP	FT	NOTE	EFFECTIVITY
692	24	PK	D01381	8	27-32-21	SM00038	W	N2	2	MOT-F2	VA021-VA300 VA316-VA500 VA520-VA700 VA713-VA800 VA811-VA999 VB003-VB050 VB056-VB100 VB124-VB200 VB203-VB250 VB254-VB280 VB285-VB300 VB303-VB320 VB325-VB370 VB374-VB400 VB402-VB410 VB421-VD999 VB003-VE020 VE024-VE040 VE044-VE060 VE069-VE100 VE104-VE115 VE118-VE180 VF001-VF011 VF021-VF110 VF161-VF180 VK001-VK180 VL001-VL040 VL701-VL790 VL796-VL805 VL891-VL930 VM999-VN095 VN111-VN173 VN191-VN340 VN371-VN656 VN671-VN960 VN966-VN967 VN971-VN990 VR401-VR401 VR421-VR421 VR426-VR427 VR471-VR471 VS051-VS052 VS066-VS070 VS073-VS073 VS196-VS199 VS246-VS248 VS266-VS268
692	24	PK	D01381	8	27-32-21	SM00038	W	N2	2	MOT-F2	VE117-VE117
692	24	PK	D01381	8	27-32-21	SM00038	W	N2	5	MOT-F2	VF251-VF260 VK181-VK190 VL806-VL810 VL871-VL880 VL931-VL945 VN096-VN110 VN174-VN190 VN657-VN670 VN968-VN970 VR461-VR461 VS061-VS061 VS091-VS094 VS111-VS111 VS131-VS132 VS176-VS177 VS186-VS187 VS206-VS207 VS261-VS262
692	24	PK	D01381	8	27-32-21	SM00038	W	N2	1		VA002-VA020 VA501-VA519 VA801-VA810 VB301-VB302 VE021-VE023 VE101-VE103

286T0045-101
Wire Bundle Assembly
Figure 101 (Sheet 240)

25-71-02

WIRE		FROM EQUIPMENT			TO EQUIPMENT			WIRE INFO					
NUMBER	GA	TYP	NUMBER	TERM	TT	WD REF	NUMBER	TERM	TT	EMC / SEP	FT	NOTE	EFFECTIVITY
693	24	PK	D04347J	30		31-51-21	D00815	6		N2	4	MLA-F2	VA021-VA300 VA316-VA500 VA531-VA700 VA713-VA800 VA811-VA999 VB003-VB050 VB056-VB200 VB203-VB250 VB254-VB280 VB285-VB300 VB303-VB320 VB325-VB370 VB374-VB400 VB402-VB410 VB421-VD999 VE003-VE020 VE024-VE040 VE044-VE060 VE069-VE100 VE104-VE115 VE118-VE180 VF001-VF011 VF021-VF110 VF161-VF180 VK001-VK180 VL001-VL040 VL701-VL790 VL796-VL805 VL891-VL930 VM999-VN095 VN111-VN173 VN191-VN340 VN371-VN656 VN671-VN960 VN966-VN967 VN971-VN990 VR401-VR401 VR421-VR421 VR426-VR427 VR471-VR471 VS051-VS052 VS066-VS070 VS073-VS073 VS196-VS199 VS246-VS248 VS266-VS268
693	24	PK	D04347J	30		31-51-21	D00815	6		N2	4		VA301-VA315 VA520-VA530 VB251-VB253 VB323-VB324 VB371-VB373 VE001-VE002
693	24	PK	D04347J	30		31-51-21	D00815	6		N2	4	MLA-F2	VE117-VE117
693	24	PK	D04347J	30		31-51-21	D00815	6		N2	5	MLA-F2	VF251-VF260 VK181-VK190 VL806-VL810 VL871-VL880 VL931-VL945 VN096-VN110 VN174-VN190 VN657-VN670 VN968-VN970 VR461-VR461 VS061-VS061 VS091-VS094 VS111-VS111 VS131-VS132 VS176-VS177 VS186-VS187 VS206-VS207 VS261-VS262
693	24	PK	D04347J	30		31-51-21	D00815	6		N2	2		VA002-VA020 VA501-VA519 VA801-VA810 VB301-VB302 VE021-VE023 VE101-VE103

286T0045-101
Wire Bundle Assembly
Figure 101 (Sheet 241)

25-71-02



BOEING
COMPONENT
MAINTENANCE MANUAL

WIRE			FROM EQUIPMENT			TO EQUIPMENT			WIRE INFO		
NUMBER	CA TYP	NUMBER	TERM TT	WD REF	NUMBER	TERM TT	EMC / SEP	FT	NOTE	EFFECTIVITY	
694	22 PA	D04349J	46	31-51-43	SM00081		W N2	3	MLA-F2	VA021-VA300 VA316-VA500 VA520-VA700 VA713-VA800 VA811-VA999 VB003-VB050 VB056-VB100 VB124-VB200 VB203-VB250 VB254-VB280 VB285-VB300 VB303-VB320 VB325-VB370 VB374-VB400 VB402-VB410 VB421-VD999 VE003-VE020 VE024-VE040 VE044-VE060 VE069-VE100 VE104-VE115 VE118-VE180 VF001-VF011 VF021-VF110 VF161-VF180 VK001-VK180 VL001-VL040 VL701-VL790 VL796-VL805 VL891-VL930 VM999-VN095 VM111-VN173 VN191-VN340 VN371-VN656 VN671-VN960 VN966-VN967 VN971-VN990 VR401-VR401 VR421-VR421 VR426-VR427 VR471-VR471 VS051-VS052 VS066-VS070 VS073-VS073 VS196-VS199 VS246-VS248 VS266-VS268	
694	22 PA	D04349J	46	31-51-43	SM00081		W N2	3	MLA-F2	VA301-VA315 VB105-VB123 VB251-VB253 VB323-VB324 VB371-VB373 VE001-VE002	
694	22 PA	D04349J	46	31-51-43	SM00081		W N2	3	MLA-F2	VB101-VB104	
694	22 PA	D04349J	46	31-51-43	SM00081		W N2	3	ZSZ-B6	VE117-VE117	
694	22 PA	D04349J	46	31-51-43	SM00081		W N2	5	MLA-F2	VF251-VF260 VK181-VK190 VL806-VL810 VL871-VL880 VL931-VL945 VN096-VN110 VN174-VN190 VN657-VN670 VN968-VN970 VR461-VR461 VS061-VS061 VS091-VS094 VS111-VS111 VS131-VS132 VS176-VS177 VS186-VS187 VS206-VS207 VS261-VS262	
694	22 PA	D04349J	46	31-51-43	SM00081		W N2	1		VB441-VB450 VE121-VE140 VE171-VE180 VF021-VF040 VK131-VK160 VL011-VL040 VN531-VN630 VR426-VR427	
695	24 PK	D00823	10	27-32-12	SM00082		W N2	2		VL941-VL945	
695	24 PK	D00823	10	27-32-12	SM00082		W N2	1		VA002-VA020 VB301-VA315 VA501-VA519 VA801-VA810 VB101-VB123 VB301-VB302 VB371-VB373 VE021-VE023 VE101-VE103	

286T0045-101
Wire Bundle Assembly
Figure 101 (Sheet 242)

25-71-02

TESTING & TROUBLE SHOOTING
01 Page 126K

Nov 01/02

WIRE		FROM EQUIPMENT		TO EQUIPMENT		WIRE INFO	
NUMBER	GA TYP	NUMBER	TERM FT	WD REF	NUMBER	TERM FT	EFFECTIVITY
696	20 PA	GDX0003	D.. 2	27-32-12	SM00082	W	VA021-VA300 VA316-VA500 VA520-VA700 VA713-VA800 VA811-VA999 VB003-VB050 VB056-VB100 VB124-VB200 VB203-VB250 VB254-VB280 VB285-VB300 VB303-VB320 VB325-VB370 VB374-VB400 VB402-VB410 VB421-VB999 VE003-VE020 VE024-VE040 VE044-VE060 VE069-VE100 VE104-VE115 VE118-VE180 VF001-VF011 VF021-VF060 VF063-VF110 VF161-VF180 VK001-VK180 VL001-VL040 VL701-VL790 VL796-VL805 VL891-VL930 VM999-VN095 VN111-VN173 VN191-VN340 VN371-VN656 VN671-VN960 VN966-VN967 VN971-VN990 VR401-VR401 VR421-VR421 VR426-VR427 VR471-VR471 VS051-VS052 VS066-VS070 VS073-VS073 VS196-VS199 VS246-VS248 VS266-VS268
696	20 PA	GDX0003	D.. 2	27-32-12	SM00082	W	VE251-VB253 VB323-VB324 VE001-VE002 VE117-VE117
696	20 PA	GDX0003	D.. 2	27-32-12	SM00082	W	MNZ-F2 MNZ-F2 MNZ-F2 MNZ-F2
696	20 PA	GDX0003	D.. 2	27-32-12	SM00082	W	MZK-T2 MZK-T2 MZK-T2 MZK-T2
696	20 PA	GDX0003	D.. 2	27-32-12	SM00082	W	VL931-VL945 VN096-VN110 VN174-VN190 VM657-VN670 VN968-VN970 VR461-VR461 VS061-VS061 VS091-VS094 VS111-VS111 VS131-VS132 VS176-VS177 VS186-VS187 VS206-VS207 VS261-VS262
696	20 PA	GDX0003	D.. 2	27-32-12	SM00082	W	VA002-VA020 VA301-VA315 VA501-VA519 VA801-VA810 VE101-VB123 VB301-VB302 VB371-VB373 VE021-VE023 VE101-VE103

 286T0045-101
 Wire Bundle Assembly
 Figure 101 (Sheet 243)

25-71-02



COMPONENT
MAINTENANCE MANUAL

WIRE		FROM EQUIPMENT			TO EQUIPMENT			WIRE INFO			
NUMBER	GA	TYP	NUMBER	TERM TT	WD REF	NUMBER	TERM TT	EMC/SEP	FT	NOTE	EFFECTIVITY
697	20	PA	GDX0003	D.. 2	27-32-22	SM00085	W	N2	2	MNZ-F2	VA021-VA300 VA316-VA500 VA520-VA700 VA713-VA800 VA811-VA999 VB003-VB050 VB056-VB100 VB124-VB200 VB203-VB250 VB254-VB280 VB285-VB300 VB303-VB320 VB325-VB370 VB374-VB400 VB402-VB410 VB421-VB999 VE003-VE020 VE024-VE040 VE044-VE060 VE069-VE100 VE104-VE115 VE118-VE180 VE001-VF011 VF021-VF060 VF063-VF110 VF161-VF180 VK001-VK010 VL001-VL040 VL701-VL790 VL796-VL805 VL891-VL930 VM999-VN095 VN111-VN173 VN191-VN340 VN371-VN656 VN671-VN960 VN966-VN967 VN971-VN990 VR401-VR401 VR421-VR421 VR426-VR427 VR471-VR471 VS051-VS052 VS066-VS070 VS073-VS073 VS196-VS199 VS246-VS248 VS266-VS268
697	20	PA	GDX0003	D.. 2	27-32-22	SM00085	W	N2	2	MNZ-F2	VB251-VB253 VB323-VB324 VE001-VE002
697	20	PA	GDX0003	D.. 2	27-32-22	SM00085	W	N2	2	MNZ-F2	VE117-VE117
697	20	PA	GDX0003	D.. 2	27-32-22	SM00085	W	N2	5	MNZ-F2	VF061-VF062
697	20	PA	GDX0003	D.. 2	27-32-22	SM00085	W	N2	2	MZK-F2	VF251-VF260 VK181-VK190 VL806-VL810 VL871-VL880 VL931-VL945 VN096-VN110 VN174-VN190 VN657-VN670 VN968-VN970 VR461-VR461 VS061-VS061 VS091-VS094 VS111-VS111 VS131-VS132 VS176-VS177 VS186-VS187 VS206-VS207 VS261-VS262
697	20	PA	GDX0003	D.. 2	27-32-22	SM00085	W	N2	1		VB325-VB332
700	24	PK	D01741	11	31-51-36	SM00053	W	N2	4	MOT-F2	VN111-VN150 VN821-VN920 VS246-VS248
700	24	PK	D01741	11	31-51-36	SM00053	W	N2	4		VN531-VN545 VN551-VN556 VN558-VN630
700	24	PK	D01741	11	31-51-36	SM00053	W	N2	2		VN557-VN557

286T0045-101
Wire Bundle Assembly
Figure 101 (Sheet 244)

25-71-02

TESTING & TROUBLE SHOOTING
01

Page 126M
Nov 01/02

WIRE			FROM EQUIPMENT			TO EQUIPMENT			WIRE INFO				
NUMBER	GA	TYP	NUMBER	TERM	TT	WD REF	NUMBER	TERM	TT	EMC/ SEP	FT	NOTE	EFFECTIVITY
700	24	PK	D00817	49		31-51-32	SM00053	W		N2	2		VA001-VB410 VB421-VE180 VF001-VF011 VF021-VF110 VF161-VF180 VK001-VK180 VL001-VL040 VL701-VL790 VL796-VL805 VL891-VL930 VM999-VN095 VN111-VN173 VN191-VN340 VN371-VN656 VN671-VN960 VN966-VN967 VN971-VN990 VR401-VR401 VR421-VR421 VR426-VR427 VR471-VR471 VS051-VS052 VS066-VS070 VS073-VS073 VS196-VS199 VS246-VS248 VS266-VS268
701	24	PK	D00815	49		31-51-21	D00815	22		N2	1		VF251-VF260 VK181-VK190 VL806-VL810 VL871-VL880 VL931-VL945 VN096-VN110 VN174-VN190 VN657-VN670 VN968-VN970 VR461-VR461 VS061-VS061 VS091-VS094 VS111-VS111 VS131-VS132 VS176-VS177 VS186-VS187 VS206-VS207 VS261-VS262
701	24	PK	D00815	49		31-51-21	D00815	22		N2			VA001-VB410 VB421-VE180 VF001-VF011 VF021-VF110 VF161-VF180 VK001-VK180 VL001-VL040 VL701-VL790 VL796-VL805 VL891-VL930 VM999-VN095 VN111-VN173 VN191-VN340 VN371-VN656 VN671-VN960 VN966-VN967 VN971-VN990 VR401-VR401 VR421-VR421 VR426-VR427 VR471-VR471 VS051-VS052 VS066-VS070 VS073-VS073 VS196-VS199 VS246-VS248 VS266-VS268
702	24	PK	D00815	16		31-51-21	D00815	48		N2	1		VF251-VF260 VK181-VK190 VL806-VL810 VL871-VL880 VL931-VL945 VN096-VN110 VN174-VN190 VN657-VN670 VN968-VN970 VR461-VR461 VS061-VS061 VS091-VS094 VS111-VS111 VS131-VS132 VS176-VS177 VS186-VS187 VS206-VS207 VS261-VS262

286T0045-101
Wire Bundle Assembly
Figure 101 (Sheet 245)

25-71-02



BOEING
COMPONENT
MAINTENANCE MANUAL

WIRE		FROM EQUIPMENT			TO EQUIPMENT			WIRE INFO		
NUMBER	GA TYP	NUMBER	TERM TT	WD REF	NUMBER	TERM TT	EMC/SEP	FT	NOTE	EFFECTIVITY
702	24 PK	D00815	16	31-51-21	D00815	48	N2			VA001-VB410 VB421-VE180 VF001-VF011 VF021-VF110 VF161-VF180 VK001-VK180 VL001-VL040 VL701-VL790 VL796-VL805 VL891-VL930 VM999-VN095 VN111-VN173 VN191-VN340 VN371-VN656 VN671-VN960 VN966-VN967 VN971-VN990 VR401-VR421 VR421-VR421 VR426-VR427 VR471-VR471 VS051-VS052 VS066-VS070 VS073-VS073 VS196-VS199 VS246-VS248 VS266-VS268
703	24 PK	D00819	6	31-51-41	SM00019	W	N2	3		VF251-VF260 VK181-VK190 VL806-VL810 VL871-VL880 VL931-VL945 VN096-VN110 VN174-VN190 VN657-VN670 VN968-VN970 VR461-VR461 VS061-VS061 VS091-VS094 VS111-VS111 VS131-VS132 VS176-VS177 VS186-VS187 VS206-VS207 VS261-VS262
703	24 PK	D00819	6	31-51-41	SM00019	W	N2	1		VA001-VB410 VB421-VE180 VF001-VF011 VF021-VF110 VF161-VF180 VK001-VK180 VL001-VL040 VL701-VL790 VL796-VL805 VL891-VL930 VM999-VN095 VN111-VN173 VN191-VN340 VN371-VN656 VN671-VN960 VN966-VN967 VN971-VN990 VR401-VR401 VR421-VR421 VR426-VR427 VR471-VR471 VS051-VS052 VS066-VS070 VS073-VS073 VS196-VS199 VS246-VS248 VS266-VS268
704	24 PK	SM00075	W	31-51-41	D04511J	14	N2	4		VF251-VF260 VK181-VK190 VL806-VL810 VL871-VL880 VL931-VL945 VN096-VN110 VN174-VN190 VN657-VN670 VN968-VN970 VR461-VR461 VS061-VS061 VS091-VS094 VS111-VS111 VS131-VS132 VS176-VS177 VS186-VS187 VS206-VS207 VS261-VS262

286T0045-101
Wire Bundle Assembly
Figure 101 (Sheet 246)

25-71-02



COMPONENT
MAINTENANCE MANUAL

WIRE			FROM EQUIPMENT			TO EQUIPMENT			WIRE INFO				
NUMBER	GA	TYP	NUMBER	TERM	TT	WD REF	NUMBER	TERM	TT	EMC/ SEP	FT	NOTE	EFFECTIVITY
704	24	PK	SM00075		W	31-51-41	D04511J	14		N2	1		VA001-VB410 VB421-VE180 VF001-VF011 VF021-VF110 VF161-VF180 VK001-VK180 VL001-VL040 VL701-VL790 VL796-VL805 VL891-VL930 VM999-VN095 VM111-VN173 VN191-VN340 VN371-VN656 VM671-VN960 VN966-VN967 VN971-VN990 VR401-VR401 VR421-VR421 VR426-VR427 VR471-VR471 VS051-VS052 VS066-VS070 VS073-VS073 VS196-VS199 VS246-VS248 VS266-VS268
705	24	PK	D00819	45		31-51-41	D04511J	12		N2	4		VF251-VF260 VK181-VK190 VL806-VL810 VL871-VL880 VL931-VL945 VN096-VN110 VN174-VN190 VM657-VN670 VN968-VN970 VR461-VR461 VS061-VS061 VS091-VS094 VS111-VS111 VS131-VS132 VS176-VS177 VS186-VS187 VS206-VS207 VS261-VS262
705	24	PK	D00819	45		31-51-41	D04511J	12		N2	2		VA001-VA001 VA021-VA300 VA316-VA500 VA520-VA800 VA811-VB300 VB302-VB370 VB374-VB410 VB421-VE020 VE024-VE100 VE104-VE180 VF001-VF011 VF021-VF110 VF161-VF180 VK001-VK180 VL001-VL040 VL701-VL790 VL796-VL805 VL891-VL930 VM999-VN095 VN111-VN173 VN191-VN340 VN371-VN656 VM671-VN960 VN966-VN967 VN971-VN990 VR401-VR401 VR421-VR421 VR426-VR427 VR471-VR471 VS051-VS052 VS066-VS070 VS073-VS073 VS196-VS199 VS246-VS248 VS266-VS268
706	24	PK	D00819	10		31-51-41	D04349J	31		N2	4		VA002-VA020 VA301-VA315 VA501-VA519 VA801-VA810 VB301-VB301 VB371-VB373 VE021-VE023 VE101-VE103

286T0045-101
Wire Bundle Assembly
Figure 101 (Sheet 247)

25-71-02



COMPONENT
MAINTENANCE MANUAL

WIRE		FROM EQUIPMENT			TO EQUIPMENT			WIRE INFO		
NUMBER	CA TYP	NUMBER	TERM TT	WD REF	NUMBER	TERM TT	EMC / SEP	FT	NOTE	EFFECTIVITY
706	24 PK	D00819	10	31-51-41	D04349J	31	N2	4	MZK-T2	VF251-VF260 VK181-VK190 VL806-VL810 VL871-VL880 VL931-VL945 VN096-VN110 VN174-VN190 VN657-VN670 VN968-VN970 VR461-VR461 VS061-VS061 VS091-VS094 VS111-VS111 VS131-VS132 VS176-VS177 VS186-VS187 VS206-VS207 VS261-VS262
706	24 PK	D00819	10	31-51-41	D04349J	31	N2	2		VA001-VB410 VB421-VE180 VF001-VF011 VF021-VF110 VF161-VF180 VK001-VK180 VL001-VL040 VL701-VL750 VL796-VL805 VL891-VL930 VM999-VN095 VN111-VN173 VN191-VN340 VN371-VN656 VN671-VN960 VN966-VN967 VN971-VN990 VR401-VR401 VR421-VR421 VR426-VR427 VR471-VR471 VS051-VS052 VS066-VS070 VS073-VS073 VS196-VS199 VS246-VS248 VS266-VS268
707	24 PK	D00819	21	31-51-41	D04509J	4	N2	4		VF251-VF260 VK181-VK190 VL806-VL810 VL871-VL880 VL931-VL945 VN096-VN110 VN174-VN190 VN657-VN670 VN968-VN970 VR461-VR461 VS061-VS061 VS091-VS094 VS111-VS111 VS131-VS132 VS176-VS177 VS186-VS187 VS206-VS207 VS261-VS262
707	24 PK	D00819	21	31-51-41	D04509J	4	N2	2		VL751-VL790
707	24 PK	D04509J	4	31-51-41	SM00095		N2	2		VA001-VA001 VA021-VA300 VA316-VA500 VA520-VA800 VA811-VB300 VB302-VB370 VB374-VB410 VB421-VE020 VE024-VE100 VE104-VE180 VF001-VF011 VF021-VF110 VF161-VF180 VK001-VK180 VL001-VL040 VL701-VL790 VL796-VL805 VL891-VL930 VM999-VN095 VN111-VN173 VN191-VN340 VN371-VN656 VN671-VN960 VN966-VN967 VN971-VN990 VR401-VR401 VR421-VR421 VR426-VR427 VR471-VR471 VS051-VS052 VS066-VS070 VS073-VS073 VS196-VS199 VS246-VS248 VS266-VS268

286T0045-101
Wire Bundle Assembly
Figure 101 (Sheet 248)

25-71-02

WIRE			FROM EQUIPMENT			TO EQUIPMENT			WIRE INFO				
NUMBER	GA	TYP	NUMBER	TERM	TT	WD REF	NUMBER	TERM	TT	EMC/SEP	FT	NOTE	EFFECTIVITY
708	24	PK	D00819	9		31-51-41	D04349J	7		N2	4		VA002-VA020 VA501-VA519 VA801-VA810 VB301-VB301 VE021-VE023 VE101-VE103
708	24	PK	D00819	9		31-51-41	D04349J	7		N2	4	MZK-T2	VA301-VA315 VB371-VB373
708	24	PK	D00819	9		31-51-41	D04349J	7		N2	4	MZK-F2	VF251-VF260 VK181-VK190 VL806-VL810 VL871-VL880 VL931-VL945 VN096-VN110 VN174-VN190 VN657-VN670 VN968-VN970 VR461-VR461 VS061-VS061 VS091-VS094 VS111-VS111 VS131-VS132 VS176-VS177 VS186-VS187 VS206-VS207 VS261-VS262
708	24	PK	D00819	9		31-51-41	D04349J	7		N2	2		VA001-VB410 VB421-VE180 VF001-VF011 VF021-VF110 VF161-VF180 VK001-VK180 VL001-VL040 VL701-VL790 VL796-VL805 VL891-VL930 VM999-VN095 VN111-VN173 VN191-VN340 VN371-VN656 VN671-VN960 VN966-VN967 VN971-VN990 VR401-VR401 VR421-VR421 VR426-VR427 VR471-VR471 VS051-VS052 VS066-VS070 VS073-VS073 VS196-VS199 VS246-VS248 VS266-VS268
709	24	PK	D00819	39		31-51-41	SM00044		W	N2	3		VF251-VF260 VK181-VK190 VL806-VL810 VL871-VL880 VL931-VL945 VN096-VN110 VN174-VN190 VN657-VN670 VN968-VN970 VR461-VR461 VS061-VS061 VS091-VS094 VS111-VS111 VS131-VS132 VS176-VS177 VS186-VS187 VS206-VS207 VS261-VS262
709	24	PK	D00819	39		31-51-41	SM00044		W	N2	1		VA001-VB410 VB421-VE180 VF001-VF011 VF021-VF110 VF161-VF180 VK001-VK180 VL001-VL040 VL701-VL790 VL796-VL805 VL891-VL930 VM999-VN095 VN111-VN173 VN191-VN340 VN371-VN656 VN671-VN960 VN966-VN967 VN971-VN990 VR401-VR401 VR421-VR421 VR426-VR427 VR471-VR471 VS051-VS052 VS066-VS070 VS073-VS073 VS196-VS199 VS246-VS248 VS266-VS268

 286T0045-101
 Wire Bundle Assembly
 Figure 101 (Sheet 249)

25-71-02



BOEING
COMPONENT
MAINTENANCE MANUAL

WIRE		FROM EQUIPMENT			TO EQUIPMENT			WIRE INFO			
NUMBER	GA	TYP	NUMBER	TERM TT	WD REF	NUMBER	TERM TT	EMC / SEP	FT	NOTE	EFFECTIVITY
710	24	PK	D00819	43	31-51-41	SM00037	W	N2	3		VF251-VF260 VK181-VK190 VL806-VL810 VL871-VL880 VL931-VL945 VN096-VN110 VN174-VN190 VN657-VN670 VN968-VN970 VR461-VR461 VS061-VS061 VS091-VS094 VS111-VS111 VS131-VS132 VS176-VS177 VS186-VS187 VS206-VS207 VS261-VS262
710	24	PK	D00819	43	31-51-41	SM00037	W	N2	1		VA001-VA001 VA021-VA300 VA316-VA500 VA520-VA800 VA811-VB300 VB302-VB370 VB374-VB410 VB421-VE020 VE024-VE100 VE104-VE180 VF001-VF011 VF021-VF110 VF161-VF180 VK001-VK180 VL001-VL040 VL701-VL790 VL796-VL805 VL891-VL930 VM999-VN095 VN111-VN173 VN191-VN340 VN371-VN656 VN671-VN960 VN966-VN967 VN971-VN990 VR401-VR401 VR421-VR421 VR426-VR427 VR471-VR471 VS051-VS052 VS066-VS070 VS073-VS073 VS196-VS199 VS246-VS248 VS266-VS268
711	24	PK	D00819	12	31-51-41	D04349J	21	N2	4		VA002-VA020 VA301-VA315 VA501-VA519 VA801-VA810 VB301-VB301 VB371-VB373 VE021-VE023 VE101-VE103
711	24	PK	D00819	12	31-51-41	D04349J	21	N2	4	MZK-T2	VF251-VF260 VK181-VK190 VL806-VL810 VL871-VL880 VL931-VL945 VN096-VN110 VN174-VN190 VN657-VN670 VN968-VN970 VR461-VR461 VS061-VS061 VS091-VS094 VS111-VS111 VS131-VS132 VS176-VS177 VS186-VS187 VS206-VS207 VS261-VS262

286T0045-101
Wire Bundle Assembly
Figure 101 (Sheet 250)

25-71-02

WIRE		FROM EQUIPMENT			TO EQUIPMENT			WIRE INFO		
NUMBER	CA TYP	NUMBER	TERM TT	WD REF	NUMBER	TERM TT	EMC/SEP	FT	NOTE	EFFECTIVITY
711	24 PK	D00819	12	31-51-41	D04349J	21	N2	2		VA001-VA001 VA021-VA300 VA316-VA500 VA520-VA800 VA811-VB300 VB302-VB370 VB374-VB410 VB421-VE020 VE024-VE100 VE104-VE180 VF001-VF011 VF021-VF110 VF161-VF180 VK001-VK180 VL001-VL040 VL701-VL790 VL796-VL805 VL891-VL930 VM999-VN095 VN111-VN173 VN191-VN340 VN371-VN656 VN671-VN960 VN966-VN967 VN971-VN990 VR401-VR401 VR421-VR421 VR426-VR427 VR471-VR471 VS051-VS052 VS066-VS070 VS073-VS073 VS196-VS199 VS246-VS248 VS266-VS268
712	24 PK	D00819	53	31-51-41	D04349J	3	N2	4		VA002-VA020 VA301-VA315 VA501-VA519 VA801-VA810 VB301-VB301 VB371-VB373 VE021-VE023 VE101-VE103
712	24 PK	D00819	53	31-51-41	D04349J	3	N2	4	MZK-T2	VF251-VF260 VK181-VK190 VL806-VL810 VL871-VL880 VL931-VL945 VN096-VN110 VN174-VN190 VN657-VN670 VN968-VN970 VR461-VR461 VS061-VS061 VS091-VS094 VS111-VS111 VS131-VS132 VS176-VS177 VS186-VS187 VS206-VS207 VS261-VS262
712	24 PK	D00819	53	31-51-41	D04349J	3	N2	2		VA001-VA001 VA021-VA300 VA316-VA500 VA520-VA800 VA811-VB300 VB302-VB370 VB374-VB410 VB421-VE020 VE024-VE100 VE104-VE180 VF001-VF011 VF021-VF110 VF161-VF180 VK001-VK180 VL001-VL040 VL701-VL750 VL796-VL805 VL911-VL930 VM999-VN095 VN111-VN173 VN191-VN340 VN371-VN656 VN671-VN960 VN966-VN967 VN971-VN990 VR401-VR401 VR421-VR421 VR426-VR427 VR471-VR471 VS051-VS052 VS066-VS070 VS073-VS073 VS196-VS199 VS246-VS248 VS266-VS268
713	24 PK	D00819	20	31-51-41	D04347J	9	N2	4		VA002-VA020 VA301-VA315 VA501-VA519 VA801-VA810 VB301-VB301 VB371-VB373 VE021-VE023 VE101-VE103

286T0045-101
Wire Bundle Assembly
Figure 101 (Sheet 251)

25-71-02



BOEING
COMPONENT
MAINTENANCE MANUAL

WIRE			FROM EQUIPMENT			TO EQUIPMENT			WIRE INFO				
NUMBER	GA	TYP	NUMBER	TERM	TT	WD REF	NUMBER	TERM	TT	EMC / SEP	FT	NOTE	EFFECTIVITY
713	24	PK	D00819	20		31-51-41	D04347J	9		N2	4	MZK-T2	VF251-VF260 VK181-VK190 VL806-VL810 VL871-VL880 VL931-VL945 VN096-VN110 VN174-VN190 VN657-VN670 VN968-VN970 VR461-VR461 VS061-VS061 VS091-VS094 VS111-VS111 VS131-VS132 VS176-VS177 VS186-VS187 VS206-VS207 VS261-VS262
713	24	PK	D00819	20		31-51-41	D04347J	9		N2	2		VL751-VL790
713	24	PK	SM00093		W	31-51-41	D04347J	9		N2	2		VL891-VL910
713	24	PK	SM00093		W	31-51-41	D04347J	9		N2	2		VA001-VA001 VA021-VA300 VA316-VA500 VA520-VA800 VA811-VB300 VB302-VB370 VB374-VB410 VB421-VE020 VE024-VE100 VE104-VE180 VF001-VF011 VF021-VF110 VF161-VF180 VK001-VK180 VL001-VL040 VL701-VL790 VL796-VL805 VL891-VL930 VM999-VN095 VN111-VN173 VN191-VN340 VN371-VN656 VN671-VN960 VN966-VN967 VN971-VN990 VR401-VR401 VR421-VR421 VR426-VR427 VR471-VR471 VS051-VS052 VS066-VS070 VS073-VS073 VS196-VS199 VS246-VS248 VS266-VS268
714	24	PK	D00819	44		31-51-41	D04349J	24		N2	4		VA002-VA020 VA301-VA315 VA501-VA519 VA801-VA810 VB301-VB301 VB371-VB373 VE021-VE023 VE101-VE103
714	24	PK	D00819	44		31-51-41	D04349J	24		N2	4	MZK-T2	VF251-VF260 VK181-VK190 VL806-VL810 VL871-VL880 VL931-VL945 VN096-VN110 VN174-VN190 VN657-VN670 VN968-VN970 VR461-VR461 VS061-VS061 VS091-VS094 VS111-VS111 VS131-VS132 VS176-VS177 VS186-VS187 VS206-VS207 VS261-VS262

286T0045-101
Wire Bundle Assembly
Figure 101 (Sheet 252)

25-71-02



COMPONENT
MAINTENANCE MANUAL

WIRE			FROM EQUIPMENT				TO EQUIPMENT				WIRE INFO			
NUMBER	GA	TYP	NUMBER	TERM	TT	WD REF	NUMBER	TERM	TT	EMC/SEP	FT	NOTE	EFFECTIVITY	
714	24	PK	D00819	44		31-51-41	D04349J	24		N2	2		VA001-VB410 VB421-VE180 VF001-VF011 VF021-VF110 VF161-VF180 VK001-VK180 VL001-VL040 VL701-VL790 VL796-VL805 VL891-VL930 VM999-VN095 VN111-VN173 VN191-VN340 VN371-VN656 VN671-VN960 VN966-VN967 VN971-VN990 VR401-VR401 VR421-VR421 VR426-VR427 VR471-VR471 VS051-VS052 VS066-VS070 VS073-VS073 VS196-VS199 VS246-VS248 VS266-VS268	
715	24	PK	D04507J	6		31-51-42	SM00019		W	N2	3		VF251-VF260 VK181-VK190 VL806-VL810 VL871-VL880 VL931-VL945 VN096-VN110 VN174-VN190 VM657-VN670 VN968-VN970 VR461-VR461 VS061-VS061 VS091-VS094 VS111-VS111 VS131-VS132 VS176-VS177 VS186-VS187 VS206-VS207 VS261-VS262	
715	24	PK	D04507J	6		31-51-42	SM00019		W	N2	1		VA001-VB410 VB421-VE180 VF001-VF011 VF021-VF110 VF161-VF180 VK001-VK180 VL001-VL040 VL701-VL790 VL796-VL805 VL891-VL930 VM999-VN095 VN111-VN173 VN191-VN340 VN371-VN656 VN671-VN960 VN966-VN967 VN971-VN990 VR401-VR401 VR421-VR421 VR426-VR427 VR471-VR471 VS051-VS052 VS066-VS070 VS073-VS073 VS196-VS199 VS246-VS248 VS266-VS268	
716	24	PK	D01433	34		31-51-42	SM00019		W	N2	2		VF251-VF260 VK181-VK190 VL806-VL810 VL871-VL880 VL931-VL945 VN096-VN110 VN174-VN190 VM657-VN670 VN968-VN970 VR461-VR461 VS061-VS061 VS091-VS094 VS111-VS111 VS131-VS132 VS176-VS177 VS186-VS187 VS206-VS207 VS261-VS262	

286T0045-101
Wire Bundle Assembly
Figure 101 (Sheet 253)

25-71-02



BOEING
COMPONENT
MAINTENANCE MANUAL

WIRE		FROM EQUIPMENT			TO EQUIPMENT			WIRE INFO		
NUMBER	GA TYP	NUMBER	TERM TT	WD REF	NUMBER	TERM TT	EMC / SEP	FT	NOTE	EFFECTIVITY
716	24 PK	D01433	34	31-51-42	SM00019	W	N2	1		VA001-VB410 VB421-VE180 VF001-VF011 VF021-VF110 VF161-VF180 VK001-VK180 VL001-VL040 VL701-VL790 VL796-VL805 VL891-VL930 VM999-VN095 VN111-VN173 VN191-VN340 VN371-VN656 VM671-VN960 VN966-VN967 VN971-VN990 VR401-VR401 VR421-VR421 VR426-VR427 VR471-VR471 VS051-VS052 VS066-VS070 VS073-VS073 VS196-VS199 VS246-VS248 VS266-VS268
717	24 PK	D01433	37	31-51-42	SM00034	W	N2	2		VF251-VF260 VK181-VK190 VL806-VL810 VL871-VL880 VL931-VL945 VN096-VN110 VN174-VN190 VM657-VN670 VN968-VN970 VR461-VR461 VS061-VS061 VS091-VS094 VS111-VS111 VS131-VS132 VS176-VS177 VS186-VS187 VS206-VS207 VS261-VS262
717	24 PK	D01433	37	31-51-42	SM00034	W	N2	1		VA001-VB410 VB421-VE180 VF001-VF011 VF021-VF110 VF161-VF180 VK001-VK180 VL001-VL040 VL701-VL790 VL796-VL805 VL891-VL930 VM999-VN095 VN111-VN173 VN191-VN340 VN371-VN656 VM671-VN960 VN966-VN967 VN971-VN990 VR401-VR401 VR421-VR421 VR426-VR427 VR471-VR471 VS051-VS052 VS066-VS070 VS073-VS073 VS196-VS199 VS246-VS248 VS266-VS268
718	24 PK	D01433	39	31-51-42	D04509J	2	N2	3		VF251-VF260 VK181-VK190 VL806-VL810 VL871-VL880 VL931-VL945 VN096-VN110 VN174-VN190 VM657-VN670 VN968-VN970 VR461-VR461 VS061-VS061 VS091-VS094 VS111-VS111 VS131-VS132 VS176-VS177 VS186-VS187 VS206-VS207 VS261-VS262

286T0045-101
Wire Bundle Assembly
Figure 101 (Sheet 254)

25-71-02



COMPONENT
MAINTENANCE MANUAL

WIRE			FROM EQUIPMENT			TO EQUIPMENT			WIRE INFO		
NUMBER	GA	TYP	NUMBER	TERM TT	WD REF	NUMBER	TERM TT	EMC/SEP	FT	NOTE	EFFECTIVITY
718	24	PK	D01433	39	31-51-42	D04509J	2	N2	2		VA001-VB410 VB421-VE180 VF001-VF011 VF021-VF110 VF161-VF180 VK001-VK180 VL001-VL040 VL701-VL790 VL796-VL805 VL891-VL930 VM999-VN095 VN111-VN173 VN191-VN340 VN371-VN656 VN671-VN960 VN966-VN967 VN971-VN990 VR401-VR401 VR421-VR421 VR426-VR427 VR471-VR471 VS051-VS052 VS066-VS070 VS073-VS073 VS196-VS199 VS246-VS248 VS266-VS268
720	24	PK	D01433	52	31-51-42	SM00040	W	N2	2		VF251-VF260 VK181-VK190 VL806-VL810 VL871-VL880 VL931-VL945 VN096-VN110 VN174-VN190 VN657-VN670 VN968-VN970 VR461-VR461 VS061-VS061 VS091-VS094 VS111-VS111 VS131-VS132 VS176-VS177 VS186-VS187 VS206-VS207 VS261-VS262
720	24	PK	D01433	52	31-51-42	SM00040	W	N2	1		VA001-VA001 VA021-VA300 VA316-VA500 VA520-VA800 VA811-VB300 VB302-VB370 VB374-VB410 VB421-VE020 VE024-VE100 VE104-VE180 VF001-VF011 VF021-VF110 VF161-VF180 VK001-VK180 VL001-VL040 VL701-VL790 VL796-VL805 VL891-VL930 VM999-VN095 VN111-VN173 VN191-VN340 VN371-VN656 VN671-VN960 VN966-VN967 VN971-VN990 VR401-VR401 VR421-VR421 VR426-VR427 VR471-VR471 VS051-VS052 VS066-VS070 VS073-VS073 VS196-VS199 VS246-VS248 VS266-VS268
721	24	PK	D01433	38	31-51-42	D04347J	24	N2	4		VA002-VA020 VA301-VA315 VA501-VA519 VA801-VA810 VB301-VB301 VB371-VB373 VE021-VE023 VE101-VE103

286T0045-101
Wire Bundle Assembly
Figure 101 (Sheet 255)

25-71-02



BOEING
COMPONENT
MAINTENANCE MANUAL

WIRE			FROM EQUIPMENT			TO EQUIPMENT			WIRE INFO		
NUMBER	GA	TYP	NUMBER	TERM TT	WD REF	NUMBER	TERM TT	EMC/SEP	FT	NOTE	EFFECTIVITY
721	24	PK	D01433	38	31-51-42	D04347J	24	N2	4	MZK-T2	VF251-VF260 VK181-VK190 VL806-VL810 VL871-VL880 VL931-VL945 VM096-VN110 VN174-VN190 VM657-VM670 VN968-VN970 VR461-VR461 VS061-VS061 VS091-VS094 VS111-VS111 VS131-VS132 VS176-VS177 VS186-VS187 VS206-VS207 VS261-VS262
721	24	PK	D01433	38	31-51-42	D04347J	24	N2	2		VA001-VA001 VA021-VA300 VA316-VA500 VA520-VA800 VA811-VB300 VB302-VB370 VB374-VB410 VB421-VE020 VE024-VE100 VE104-VE180 VF001-VF011 VF021-VF110 VF161-VF180 VK001-VK180 VL001-VL040 VL701-VL790 VL796-VL805 VL891-VL930 VM999-VN095 VN111-VN173 VN191-VN340 VN371-VN656 VN671-VN960 VN966-VN967 VN971-VN990 VR401-VR401 VR421-VR421 VR426-VR427 VR471-VR471 VS051-VS052 VS066-VS070 VS073-VS073 VS196-VS199 VS246-VS248 VS266-VS268
722	24	PK	D01433	5	31-51-42	D04349J	22	N2	4		VA002-VA020 VA301-VA315 VA501-VA519 VA801-VA810 VB301-VB301 VB371-VB373 VE021-VE023 VE101-VE103
722	24	PK	D01433	5	31-51-42	D04349J	22	N2	4	MZK-T2	VF251-VF260 VK181-VK190 VL806-VL810 VL871-VL880 VL931-VL945 VM096-VN110 VN174-VN190 VM657-VM670 VN968-VN970 VR461-VR461 VS061-VS061 VS091-VS094 VS111-VS111 VS131-VS132 VS176-VS177 VS186-VS187 VS206-VS207 VS261-VS262

286T0045-101
Wire Bundle Assembly
Figure 101 (Sheet 256)

25-71-02



COMPONENT
MAINTENANCE MANUAL

WIRES		FROM EQUIPMENT			TO EQUIPMENT			WIRES INFO			
NUMBER	GA	TYP	NUMBER	TERM TT	WD REF	NUMBER	TERM TT	EMC/SEP	FT	NOTE	EFFECTIVITY
722	24	PK	D01433	5	31-51-42	D04349J	22	N2	2		VA001-VA001 VA021-VA300 VA316-VA500 VA520-VA800 VA811-VB100 VB124-VB250 VB254-VB300 VB302-VB322 VB325-VB370 VB374-VB410 VB421-VD999 VE003-VE020 VE024-VE100 VE104-VE180 VF001-VF011 VF021-VF110 VF161-VF180 VK001-VK180 VL001-VL040 VL701-VL790 VL796-VL805 VL891-VL930 VM999-VN095 VN111-VN173 VN191-VN340 VN371-VN656 VN671-VN960 VN966-VN967 VN971-VN990 VR401-VR401 VR421-VR421 VR426-VR427 VR471-VR471 VS051-VS052 VS066-VS070 VS073-VS073 VS196-VS199 VS246-VS248 VS266-VS268
723	24	PK	D04511J	11	31-51-42	SM00038		W N2	3		VAC02-VA020 VA501-VA519 VA801-VA810 VB301-VB301 VE021-VE023 VE101-VE103
723	24	PK	D04511J	11	31-51-42	SM00038		W N2	3	MZK-T2	VA301-VA315 VB101-VB123 VB371-VB373
723	24	PK	D04511J	11	31-51-42	SM00038		W N2	3	MZP-T2	VB251-VB253 VB323-VB324 VE001-VE002
723	24	PK	D04511J	11	31-51-42	SM00038		W N2	3	MZP-T2	VF251-VF260 VK181-VK190 VL806-VL810 VL871-VL880 VL931-VL945 VM096-VN110 VN174-VN190 VN657-VN670 VN968-VN970 VR461-VR461 VS061-VS061 VS091-VS094 VS111-VS111 VS131-VS132 VS176-VS177 VS186-VS187 VS206-VS207 VS261-VS262

286T0045-101
Wire Bundle Assembly
Figure 101 (Sheet 257)

25-71-02



BOEING
COMPONENT
MAINTENANCE MANUAL

WIRE		FROM EQUIPMENT			TO EQUIPMENT			WIRE INFO		
NUMBER	GA TYP	NUMBER	TERM FT	WD REF	NUMBER	TERM FT	EMC / SEP	FT	NOTE	EFFECTIVITY
723	24 PK	D04511J	11	31-51-42	SM00038	W	N2	1		VA001-VA001 VA021-VA300 VA316-VA500 VA520-VA800 VA811-VB100 VB124-VB250 VB254-VB300 VB302-VB322 VB325-VB370 VB374-VB410 VB421-VD999 VE003-VE020 VE024-VE100 VE104-VE180 VF001-VF011 VF021-VF110 VF161-VF180 VK001-VK180 VL001-VL040 VL701-VL790 VL796-VL805 VL891-VL930 VM999-VN095 VN111-VN173 VN191-VN340 VN371-VN656 VN671-VN960 VN966-VN967 VN971-VN990 VR401-VR401 VR421-VR421 VR426-VR427 VR471-VR471 VS051-VS052 VS066-VS070 VS073-VS073 VS196-VS199 VS246-VS248 VS266-VS268
724	24 PK	D01433	40	31-51-42	SM00038	W	N2	2		VA002-VA020 VA501-VA519 VA801-VA810 VB301-VB301 VE021-VE023 VE101-VE103
724	24 PK	D01433	40	31-51-42	SM00038	W	N2	2	MZK-T2	VA301-VA315 VB101-VB123 VB371-VB373
724	24 PK	D01433	40	31-51-42	SM00038	W	N2	2	MZP-T2	VB251-VB253 VB323-VB324 VE001-VE002
724	24 PK	D01433	40	31-51-42	SM00038	W	N2	2	MZP-T2	VF251-VF260 VK181-VK190 VL806-VL810 VL871-VL880 VL931-VL945 VN096-VN110 VN174-VN190 VN657-VN670 VN968-VN970 VR461-VR461 VS061-VS061 VS091-VS094 VS111-VS111 VS131-VS132 VS176-VS177 VS186-VS187 VS206-VS207 VS261-VS262

286T0045-101
Wire Bundle Assembly
Figure 101 (Sheet 258)

25-71-02

WIRE		FROM EQUIPMENT			TO EQUIPMENT			WIRE INFO		
NUMBER	GA TYP	NUMBER	TERM TT	WD REF	NUMBER	TERM TT	EMC/SEP	FT	NOTE	EFFECTIVITY
724	24 PK	D01433	40	31-51-42	SM00038	W	N2	1		VA001-VA001 VA021-VA300 VA316-VA500 VA520-VA800 VA811-VB300 VB302-VB370 VB374-VB410 VB421-VE020 VE024-VE100 VE104-VE180 VF001-VF011 VF021-VF070 VF073-VF110 VF161-VF180 VK012-VK020 VK023-VK140 VK143-VK180 VL001-VL010 VL012-VL040 VL701-VL790 VL796-VL805 VL911-VL930 VM999-VN095 VN111-VN150 VN159-VN162 VN168-VN173 VN191-VN340 VN371-VN490 VN496-VN656 VN672-VN750 VN752-VN960 VN966-VN967 VN971-VN990 VR401-VR401 VR421-VR421 VR426-VR427 VR471-VR471 VS051-VS052 VS066-VS070 VS073-VS073 VS196-VS199 VS246-VS248 VS266-VS268
725	24 PK	D01433	3	31-51-42	D04347J	13	N2	4		VA002-VA020 VB371-VB373 VF071-VF072 VK001-VK011 VK021-VK022 VK141-VK142 VL011-VL011 VN151-VN158 VN163-VN167 VN491-VN495 VN671-VN671 VN751-VN751
725	24 PK	D01433	3	31-51-42	D04347J	13	N2	4	ZSZ-B6	VA301-VA315 VA501-VA519 VA801-VA810 VB301-VB301 VE021-VE023 VE101-VE103
725	24 PK	D01433	3	31-51-42	D04347J	13	N2	4	MZK-T2	VF251-VF260 VK181-VK190 VL806-VL810 VL871-VL880 VL931-VL945 VN096-VN110 VN174-VN190 VN657-VN670 VN968-VN970 VR461-VR461 VS061-VS061 VS091-VS094 VS111-VS111 VS131-VS132 VS176-VS177 VS186-VS187 VS206-VS207 VS261-VS262
725	24 PK	D01433	3	31-51-42	D04347J	13	N2	2		VL891-VL910

 286T0045-101
 Wire Bundle Assembly
 Figure 101 (Sheet 259)

25-71-02



BOEING
COMPONENT
MAINTENANCE MANUAL

WIRE		FROM EQUIPMENT			TO EQUIPMENT			WIRE INFO			
NUMBER	GA	TYP	NUMBER	TERM TT	WD REF	NUMBER	TERM TT	EMC / SEP	FT	NOTE	EFFECTIVITY
725	24	PK	SM000097		31-51-42	D04347J	13	N2	2		VA001-VA001 VA021-VA300 VA316-VA500 VA520-VA800 VA811-VB300 VB302-VB370 VB374-VB410 VB421-VE020 VE024-VE100 VE104-VE180 VF001-VF011 VF021-VF110 VF161-VF180 VK001-VK180 VL001-VL040 VL701-VL790 VL796-VL805 VL891-VL930 VM999-VN095 VN111-VN173 VN191-VN340 VN371-VN656 VN671-VN960 VN966-VN967 VN971-VN990 VR401-VR401 VR421-VR421 VR426-VR427 VR471-VR471 VS051-VS052 VS066-VS070 VS073-VS073 VS196-VS199 VS246-VS248 VS266-VS268
726	22	PA	D04347J	14	31-51-21	SM00036		N2	3		VA002-VA020 VA301-VA315 VA501-VA519 VA801-VA810 VB301-VB301 VB371-VB373 VE021-VE023 VE101-VE103
726	22	PA	D04347J	14	31-51-21	SM00036		N2	3	MZK-F2	VF251-VF260 VK181-VK190 VL806-VL810 VL871-VL880 VL931-VL945 VN096-VN110 VN174-VN190 VN657-VN670 VN968-VN970 VR461-VR461 VS061-VS061 VS091-VS094 VS111-VS111 VS131-VS132 VS176-VS177 VS186-VS187 VS206-VS207 VS261-VS262
726	22	PA	D04347J	14	31-51-21	SM00036		N2	1		VA001-VB410 VB421-VE180 VF001-VF011 VF021-VF110 VF161-VF180 VK001-VK180 VL001-VL040 VL701-VL790 VL796-VL805 VL891-VL930 VM999-VN095 VN111-VN173 VN191-VN340 VN371-VN656 VN671-VN960 VN966-VN967 VN971-VN990 VR401-VR401 VR421-VR421 VR426-VR427 VR471-VR471 VS051-VS052 VS066-VS070 VS073-VS073 VS196-VS199 VS246-VS248 VS266-VS268

286T0045-101
Wire Bundle Assembly
Figure 101 (Sheet 260)

25-71-02

WIRE		FROM EQUIPMENT			TO EQUIPMENT			WIRE INFO			
NUMBER	GA	TYP	NUMBER	TERM TT	WD REF	NUMBER	TERM TT	EMC / SEP	FT	NOTE	EFFECTIVITY
727	22	PA	D04301J	11	31-51-21	SM00035	W	N2	3		VF251-VF260 VK181-VK190 VL806-VL810 VL871-VL880 VL931-VL945 VN096-VN110 VN174-VN190 VN657-VN670 VN968-VN970 VR461-VR461 VS061-VS061 VS091-VS094 VS111-VS111 VS131-VS132 VS176-VS177 VS186-VS187 VS206-VS207 VS261-VS262
727	22	PA	D04301J	11	31-51-21	SM00035	W	N2	1		VA001-VA001 VA021-VA300 VA316-VA500 VA520-VA800 VA811-VB300 VB302-VB370 VB374-VB410 VB421-VE020 VE024-VE100 VE104-VE180 VF001-VF011 VF021-VF110 VF161-VF180 VK001-VK180 VL001-VL040 VL701-VL790 VL796-VL805 VL891-VL930 VM999-VN095 VN111-VN173 VN191-VN340 VN371-VN656 VN671-VN960 VN966-VN967 VN971-VN990 VR401-VR401 VR421-VR421 VR426-VR427 VR471-VR471 VS051-VS052 VS066-VS070 VS073-VS073 VS196-VS199 VS246-VS248 VS266-VS268
728	24	PK	D04347J	1	31-51-41	D00819		N2	4		VA002-VA020 VA301-VA315 VA501-VA519 VA801-VA810 VB301-VB301 VB371-VB373 VE021-VE023 VE101-VE103
728	24	PK	D04347J	1	31-51-41	D00819		N2	4	MZK-F2	VF251-VF260 VK181-VK190 VL806-VL810 VL871-VL880 VL931-VL945 VN096-VN110 VN174-VN190 VN657-VN670 VN968-VN970 VR461-VR461 VS061-VS061 VS091-VS094 VS111-VS111 VS131-VS132 VS176-VS177 VS186-VS187 VS206-VS207 VS261-VS262

286T0045-101
Wire Bundle Assembly
Figure 101 (Sheet 261)

25-71-02



BOEING
COMPONENT
MAINTENANCE MANUAL

WIRE		FROM EQUIPMENT			TO EQUIPMENT			WIRE INFO			
NUMBER	GA	TYP	NUMBER	TERM TT	WD REF	NUMBER	TERM TT	EMC/SEP	FT	NOTE	EFFECTIVITY
728	24	PK	D04347J	1	31-51-41	D00819	35	N2	2		VA001-VA001 VA021-VA300 VA316-VA500 VA520-VA800 VA811-VB300 VB302-VB370 VB374-VB410 VB421-VE020 VE024-VE100 VE104-VE180 VF001-VF011 VF021-VF110 VF161-VF180 VK001-VK180 VL001-VL040 VL701-VL790 VL796-VL805 VL891-VL930 VM999-VN095 VN111-VN173 VN191-VN340 VN371-VN656 VN671-VN960 VN966-VN967 VN971-VN990 VR401-VR401 VR421-VR421 VR426-VR427 VR471-VR471 VS051-VS052 VS066-VS070 VS073-VS073 VS196-VS199 VS246-VS248 VS266-VS268
729	24	PK	D04347J	2	31-51-41	D00819	1	N2	4		VA002-VA020 VA301-VA315 VA501-VA519 VA801-VA810 VB301-VB301 VB371-VB373 VE021-VE023 VE101-VE103
729	24	PK	D04347J	2	31-51-41	D00819	1	N2	4	MZK-F2	VF251-VF260 VK181-VK190 VL806-VL810 VL871-VL880 VL931-VL945 VN096-VN110 VN174-VN190 VN657-VN670 VN968-VN970 VR461-VR461 VS061-VS061 VS091-VS094 VS111-VS111 VS131-VS132 VS176-VS177 VS186-VS187 VS206-VS207 VS261-VS262
729	24	PK	D04347J	2	31-51-41	D00819	1	N2	2		VA001-VA001 VA021-VA300 VA316-VA500 VA520-VA800 VA811-VB300 VB302-VB370 VB374-VB410 VB421-VE020 VE024-VE100 VE104-VE180 VF001-VF011 VF021-VF110 VF161-VF180 VK001-VK180 VL001-VL040 VL701-VL790 VL796-VL805 VL891-VL930 VM999-VN095 VN111-VN173 VN191-VN340 VN371-VN656 VN671-VN960 VN966-VN967 VN971-VN990 VR401-VR401 VR421-VR421 VR426-VR427 VR471-VR471 VS051-VS052 VS066-VS070 VS073-VS073 VS196-VS199 VS246-VS248 VS266-VS268
730	24	PK	D04347J	3	31-51-41	D00819	36	N2	4		VA002-VA020 VA301-VA315 VA501-VA519 VA801-VA810 VB301-VB301 VB371-VB373 VE021-VE023 VE101-VE103

286T0045-101
Wire Bundle Assembly
Figure 101 (Sheet 262)

25-71-02

WIRE		FROM EQUIPMENT			TO EQUIPMENT			WIRE INFO					
NUMBER	GA	TYP	NUMBER	TERM	TT	WD REF	NUMBER	TERM	TT	EMC / SEP	FT	NOTE	EFFECTIVITY
730	24	PK	D04347J	3		31-51-41	D00819	36		N2	4	MZK-F2	VF251-VF260 VK181-VK190 VL806-VL810 VL871-VL880 VL931-VL945 VN096-VN110 VN174-VN190 VN657-VN670 VN968-VN970 VR461-VR461 VS061-VS061 VS091-VS094 VS111-VS111 VS131-VS132 VS176-VS177 VS186-VS187 VS206-VS207 VS261-VS262
730	24	PK	D04347J	3		31-51-41	D00819	36		N2	2		VA001-VA001 VA021-VA300 VA316-VA500 VA520-VA800 VA811-VB300 VB302-VB370 VB374-VB410 VB421-VE020 VE024-VE100 VE104-VE180 VF001-VF011 VF021-VF110 VF161-VF180 VK001-VK180 VL001-VL040 VL701-VL790 VL796-VL805 VL891-VL930 VM999-VN095 VN111-VN173 VN191-VN340 VN371-VN656 VN671-VN960 VN966-VN967 VN971-VN990 VR401-VR401 VR421-VR421 VR426-VR427 VR471-VR471 VS051-VS052 VS066-VS070 VS073-VS073 VS196-VS199 VS246-VS248 VS266-VS268
731	24	PK	D04347J	4		31-51-41	D00819	2		N2	4		VA002-VA020 VA301-VA315 VA501-VA519 VA801-VA810 VB301-VB301 VB371-VB373 VE021-VE023 VE101-VE103
731	24	PK	D04347J	4		31-51-41	D00819	2		N2	4	MZK-F2	VF251-VF260 VK181-VK190 VL806-VL810 VL871-VL880 VL931-VL945 VN096-VN110 VN174-VN190 VN657-VN670 VN968-VN970 VR461-VR461 VS061-VS061 VS091-VS094 VS111-VS111 VS131-VS132 VS176-VS177 VS186-VS187 VS206-VS207 VS261-VS262

286T0045-101
Wire Bundle Assembly
Figure 101 (Sheet 263)

25-71-02

TESTING & TROUBLE SHOOTING
01 Page 128D
Nov 01/02



BOEING
COMPONENT
MAINTENANCE MANUAL

WIRE		FROM EQUIPMENT			TO EQUIPMENT			WIRE INFO		
NUMBER	GA TYP	NUMBER	TERM TT	WD REF	NUMBER	TERM TT	EMC/SEP	FT	NOTE	EFFECTIVITY
731	24 PK	D04347J	4	31-51-41	D00819	2	N2	2		VA001-VA001 VA021-VA300 VA316-VA500 VA520-VA800 VA811-VB300 VB302-VB370 VB374-VB410 VB421-VE020 VE024-VE100 VE104-VE180 VF001-VF011 VF021-VF110 VF161-VF180 VK001-VK180 VL001-VL040 VL701-VL790 VL796-VL805 VL891-VL930 VM999-VN095 VN111-VN173 VN191-VN340 VN371-VN656 VN671-VN960 VN966-VN967 VN971-VN990 VR401-VR401 VR421-VR421 VR426-VR427 VR471-VR471 VS051-VS052 VS066-VS070 VS073-VS073 VS196-VS199 VS246-VS248 VS266-VS268
732	24 PK	D04347J	5	31-51-42	D01433	20	N2	4		VA002-VA020 VA301-VA315 VA501-VA519 VA801-VA810 VB301-VB301 VB371-VB373 VE021-VE023 VE101-VE103
732	24 PK	D04347J	5	31-51-42	D01433	20	N2	4	MZK-F2	VF251-VF260 VK181-VK190 VL806-VL810 VL871-VL880 VL931-VL945 VN096-VN110 VN174-VN190 VM657-VN670 VN968-VN970 VR461-VR461 VS061-VS061 VS091-VS094 VS111-VS111 VS131-VS132 VS176-VS177 VS186-VS187 VS206-VS207 VS261-VS262
732	24 PK	D04347J	5	31-51-42	D01433	20	N2	2		VA001-VA001 VA021-VA300 VA316-VA500 VA520-VA800 VA811-VB300 VB302-VB370 VB374-VB410 VB421-VE020 VE024-VE100 VE104-VE180 VF001-VF011 VF021-VF110 VF161-VF180 VK001-VK180 VL001-VL040 VL701-VL790 VL796-VL805 VL891-VL930 VM999-VN095 VN111-VN173 VN191-VN340 VN371-VN656 VN671-VN960 VN966-VN967 VN971-VN990 VR401-VR401 VR421-VR421 VR426-VR427 VR471-VR471 VS051-VS052 VS066-VS070 VS073-VS073 VS196-VS199 VS246-VS248 VS266-VS268
733	24 PK	D04347J	16	34-16-11	D00821	65	N2	5		VA002-VA020 VA301-VA315 VA501-VA519 VA801-VA810 VB301-VB301 VB371-VB373 VE021-VE023 VE101-VE103

286T0045-101
Wire Bundle Assembly
Figure 101 (Sheet 264)

25-71-02

WIRE		FROM EQUIPMENT			TO EQUIPMENT			WIRE INFO			
NUMBER	GA	TYP	NUMBER	TERM FT	WD REF	NUMBER	TERM FT	EMC/SEP	FT	NOTE	EFFECTIVITY
733	24	PK	D04347J	16	34-16-11	D00821	65	N2	5	MZK-F2	VF251-VF260 VK181-VK190 VL806-VL810 VL871-VL880 VL931-VL945 VN096-VN110 VN174-VN190 VN657-VN670 VN968-VN970 VR461-VR461 VS061-VS061 VS091-VS094 VS111-VS111 VS131-VS132 VS176-VS177 VS186-VS187 VS206-VS207 VS261-VS262
733	24	PK	D04347J	16	34-16-11	D00821	65	N2	2		VA001-VA001 VA021-VA300 VA316-VA500 VA520-VA800 VA811-VB300 VB302-VB370 VB374-VB410 VB421-VE020 VE024-VE100 VE104-VE180 VF001-VF011 VF021-VF110 VF161-VF180 VK001-VK180 VL001-VL040 VL701-VL790 VL796-VL805 VL891-VL930 VM999-VM095 VN111-VN173 VN191-VN340 VN371-VN656 VN671-VN960 VN966-VN967 VN971-VN990 VR401-VR401 VR421-VR421 VR426-VR427 VR471-VR471 VS051-VS052 VS066-VS070 VS073-VS073 VS196-VS199 VS246-VS248 VS266-VS268
734	24	PK	D04347J	8	31-51-31	SM00046		N2	3		VA002-VA020 VA301-VA315 VA501-VA519 VA801-VA810 VB301-VB301 VB371-VB373 VE021-VE023 VE101-VE103
734	24	PK	D04347J	8	31-51-31	SM00046		N2	3	MZK-F2	VF251-VF260 VK181-VK190 VL806-VL810 VL871-VL880 VL931-VL945 VN096-VN110 VN174-VN190 VN657-VN670 VN968-VN970 VR461-VR461 VS061-VS061 VS091-VS094 VS111-VS111 VS131-VS132 VS176-VS177 VS186-VS187 VS206-VS207 VS261-VS262
734	24	PK	D04347J	8	31-51-31	SM00046		N2	1		VA001-VA500 VA701-VB410 VB421-VE180 VF001-VF011 VF021-VF110 VF161-VF180
735	24	PK	D04507J	7	34-16-11	D00821	34	N2	5		VF251-VF260

286T0045-101
Wire Bundle Assembly
Figure 101 (Sheet 265)

25-71-02



COMPONENT
MAINTENANCE MANUAL

WIRE		FROM EQUIPMENT			TO EQUIPMENT			WIRE INFO			
NUMBER	GA TYP	NUMBER	TERM FT	WD REF	NUMBER	TERM FT	EMC/SEP	FT	NOTE	EFFECTIVITY	
735	24 PK	D04507J	7	34-16-11	D00821	34	N2	2		VK001-VK180 VL001-VL040 VL701-VL790 VL796-VL805 VL891-VL930 VM999-VM999 VN051-VN095 VN111-VN173 VN191-VN340 VN371-VN656 VM671-VN960 VN966-VN967 VN971-VN990 VR401-VR401 VR421-VR421 VR426-VR427 VR471-VR471 VS051-VS052 VS066-VS070 VS073-VS073 VS246-VS248 VS266-VS268	
735	24 PK	D04507J	7	34-16-11	D00821	34	N2	5		VK181-VK190 VL806-VL810 VL871-VL880 VL931-VL945 VN096-VN110 VN174-VN190 VN657-VN670 VN968-VN970 VR461-VR461 VS061-VS061 VS091-VS094 VS111-VS111 VS131-VS132 VS176-VS177 VS186-VS187 VS206-VS207 VS261-VS262	
735	24 PK	D04507J	7	34-16-11	D00821	34	N2	2		VA001-VA500 VA701-VB410 VB421-VE180 VF001-VF011 VF021-VF110 VF161-VF180	
736	24 PK	D04507J	2	34-16-11	D00821	66	N2	4		VF251-VF260	
736	24 PK	D04507J	2	34-16-11	D00821	66	N2	2		VK001-VK180 VL001-VL040 VL701-VL790 VL796-VL805 VL891-VL930 VM999-VM999 VN051-VN095 VN111-VN173 VN191-VN340 VN371-VN656 VM671-VN960 VN966-VN967 VN971-VN990 VR401-VR401 VR421-VR421 VR426-VR427 VR471-VR471 VS051-VS052 VS066-VS070 VS073-VS073 VS246-VS248 VS266-VS268	
736	24 PK	D04507J	2	34-16-11	D00821	66	N2	4		VK181-VK190 VL806-VL810 VL871-VL880 VL931-VL945 VN096-VN110 VN174-VN190 VN657-VN670 VN968-VN970 VR461-VR461 VS061-VS061 VS091-VS094 VS111-VS111 VS131-VS132 VS176-VS177 VS186-VS187 VS206-VS207 VS261-VS262	

286T0045-101
Wire Bundle Assembly
Figure 101 (Sheet 266)

25-71-02



COMPONENT
MAINTENANCE MANUAL

WIRES		FROM EQUIPMENT			TO EQUIPMENT			WIRES INFO						
NUMBER	GA	TYP	NUMBER	TERM	FT	WD	REF	NUMBER	TERM	FT	SEP	EMC /	NOTE	EFFECTIVITY
736	24	PK	D04507J	2		34-16-11	D00821	D00821	66		N2	2		VA001-VB410 VB421-VE180 VF001-VF011 VF021-VF110 VF161-VF180 VK001-VK180 VL001-VL040 VL701-VL790 VL796-VL805 VL891-VL930 VM999-VN095 VN111-VN173 VN191-VN340 VN371-VN656 VN671-VN960 VN966-VN967 VN971-VN990 VR401-VR401 VR421-VR421 VR426-VR427 VR471-VR471 VS051-VS052 VS066-VS070 VS073-VS073 VS196-VS199 VS246-VS248 VS266-VS268
737	24	PK	SM00041		W	34-16-11	D00821	D00821	31		N2	3		VF251-VF260 VK181-VK190 VL806-VL810 VL871-VL880 VL931-VL945 VN096-VN110 VN174-VN190 VN657-VN670 VN968-VN970 VR461-VR461 VS061-VS061 VS091-VS094 VS111-VS111 VS131-VS132 VS176-VS177 VS186-VS187 VS206-VS207 VS261-VS262
737	24	PK	SM00041		W	34-16-11	D00821	D00821	31		N2	1		VA001-VA001 VA316-VA500 VA520-VA800 VA811-VB300 VB302-VB370 VB374-VB410 VB421-VE020 VE024-VE100 VE104-VE180 VF001-VF011 VF021-VF110 VF161-VF180 VK001-VK180 VL001-VL040 VL701-VL790 VL796-VL805 VL891-VL930 VM999-VN095 VN111-VN173 VN191-VN340 VN371-VN656 VN671-VN960 VN966-VN967 VN971-VN990 VR401-VR401 VR421-VR421 VR426-VR427 VR471-VR471 VS051-VS052 VS066-VS070 VS073-VS073 VS196-VS199 VS246-VS248 VS266-VS268
738	24	PK	D04347J	19		34-16-11	D00821	D00821	7		N2	5		VA301-VA315 VA501-VA519 VA801-VA810 VB301-VB301 VB371-VB373 VE021-VE023 VE101-VE103
738	24	PK	D04347J	19		34-16-11	D00821	D00821	7		N2	5	MZK-F2	VF251-VF260 VK181-VK190 VL806-VL810 VL871-VL880 VL931-VL945 VN096-VN110 VN174-VN190 VN657-VN670 VN968-VN970 VR461-VR461 VS061-VS061 VS091-VS094 VS111-VS111 VS131-VS132 VS176-VS177 VS186-VS187 VS206-VS207 VS261-VS262

286T0045-101
Wire Bundle Assembly
Figure 101 (Sheet 267)

25-71-02



BOEING
COMPONENT
MAINTENANCE MANUAL

WIRE			FROM EQUIPMENT			TO EQUIPMENT			WIRE INFO		
NUMBER	GA	TYP	NUMBER	TERM	WD REF	NUMBER	TERM	FT	EMC/SEP	NOTE	EFFECTIVITY
738	24	PK	D04347J	19	34-16-11	D00821	7	2	N2		VA001-VB410 VB421-VE180 VF001-VF011 VF021-VF110 VF161-VF180 VK001-VK180 VL001-VL040 VL701-VL790 VL796-VL805 VL891-VL930 VM999-VN095 VN111-VN173 VN191-VN340 VN371-VN656 VN671-VN960 VN966-VN967 VN971-VN990 VR401-VR401 VR421-VR421 VR426-VR427 VR471-VR471 VS051-VS052 VS066-VS070 VS073-VS073 VS196-VS199 VS246-VS248 VS266-VS268
739	24	PK	SM00075		34-16-11	D00821	6	4	N2		VF251-VF260 VK181-VK190 VL806-VL810 VL871-VL880 VL931-VL945 VN096-VN110 VN174-VN190 VN657-VN670 VN968-VN970 VR461-VR461 VS061-VS061 VS091-VS094 VS111-VS111 VS131-VS132 VS176-VS177 VS186-VS187 VS206-VS207 VS261-VS262
739	24	PK	SM00075		34-16-11	D00821	6	1	N2		VA001-VA001 VA021-VA300 VB001-VB050 VB124-VB200 VB254-VB280 VB374-VB410 VE003-VE020 VE171-VE180 VF001-VF010 VF101-VF110 VF161-VF170 VK001-VK011 VK021-VK030 VK081-VK160 VK171-VK180 VL001-VL002 VL011-VL040 VL701-VL750 VL796-VL805 VM999-VM999 VN111-VN173 VN191-VN210 VN241-VN250 VN371-VN375 VN381-VN530 VN536-VN650 VN681-VN730 VN751-VN790 VN811-VN950 VR401-VR401 VR421-VR421 VR426-VR427 VS246-VS248
740	24	PK	SM00038		34-16-11	D00821	40	3	N2		VA002-VA020
740	24	PK	SM00038		34-16-11	D04347J	33	3	N2	MZK-T2	VB101-VB103
740	24	PK	SM00038		34-16-11	SM00108		3	N2		VB104-VB123 VB371-VB373
740	24	PK	SM00038		34-16-11	D00821	40	3	N2		VB251-VB253
740	24	PK	SM00038		34-16-11	D00821	40	3	N2		VB441-VB450 VF171-VF180
740	24	PK	SM00038		34-16-11	D00821	40	3	N2		VE001-VE002
740	24	PK	SM00038		34-16-11	D00821	40	3	N2		VF051-VF060 VF071-VF100
740	24	PK	SM00038		34-16-11	D00821	40	3	N2		VF251-VF260

286T0045-101
Wire Bundle Assembly
Figure 101 (Sheet 268)

25-71-02

TESTING & TROUBLE SHOOTING
01 Page 1281

Nov 01/02



COMPONENT
MAINTENANCE MANUAL

WIRE			FROM EQUIPMENT				TO EQUIPMENT				WIRE INFO			
NUMBER	GA	TYP	NUMBER	TERM TT	WD REF	NUMBER	TERM TT	EMC/SEP	FT	NOTE	EFFECTIVITY			
740	24	PK	SM000038	W	34-16-11	D00821	40	N2	1		VK012-VK015			
740	24	PK	SM00108	S	34-16-11	SM00038	W	N2	3		VL751-VL752 VL754-VL790			
740	24	PK	SM000038	W	34-16-11	D00821	40	N2	2		VL871-VL880 VL931-VL940 VN174-VN190 VS061-VS061			
740	24	PK	SM000038	W	34-16-11	D00821	40	N2	1		VS176-VS177 VS206-VS207			
740	24	PK	SM000038	W	34-16-11	D00821	40	N2	2		VL911-VL930 VS051-VS052			
740	24	PK	SM000038	W	34-16-11	D00821	40	N2	2		VN971-VN971			
740	24	PK	SM000038	W	34-16-11	D04347J	33	N2	3		VN972-VN990			
740	24	PK	SM000038	W	34-16-11	D00821	40	N2	3		VS261-VS262			
740	24	PK	SM000038	W	34-16-11	D00821	40	N2	1		VA001-VB410 VB421-VE180 VF001-VF011 VF021-VF110			
											VF161-VF180 VK001-VK180 VL001-VL040 VL701-VL790			
											VL796-VL805 VL891-VL930 VM999-VN095 VN111-VN173			
											VN191-VN340 VN371-VN656 VN671-VN960 VN966-VN967			
											VN971-VN990 VR401-VR401 VR421-VR421 VR426-VR427			
											VR471-VR471 VS051-VS052 VS066-VS070 VS073-VS073			
											VS196-VS199 VS246-VS248 VS266-VS268			
741	24	PK	D00821	18	34-16-11	D00821	22	N2	1		VF251-VF260 VK181-VK190 VL806-VL810 VL871-VL880			
											VL931-VL945 VN096-VN110 VN174-VN190 VN657-VN670			
											VN968-VN970 VR461-VR461 VS061-VS061 VS091-VS094			
											VS111-VS111 VS131-VS132 VS176-VS177 VS186-VS187			
											VS206-VS207 VS261-VS262			
741	24	PK	D00821	18	34-16-11	D00821	22	N2			VA001-VB410 VB421-VE180 VF001-VF011 VF021-VF110			
											VF161-VF180 VK001-VK180 VL001-VL040 VL701-VL790			
											VL796-VL805 VL891-VL930 VM999-VN095 VN111-VN173			
											VN191-VN340 VN371-VN656 VN671-VN960 VN966-VN967			
											VN971-VN990 VR401-VR401 VR421-VR421 VR426-VR427			
											VR471-VR471 VS051-VS052 VS066-VS070 VS073-VS073			
											VS196-VS199 VS246-VS248 VS266-VS268			

286T0045-101
Wire Bundle Assembly
Figure 101 (Sheet 269)

25-71-02



BOEING
COMPONENT
MAINTENANCE MANUAL

WIRE		FROM EQUIPMENT			TO EQUIPMENT			WIRE INFO		
NUMBER	GA TYP	NUMBER	TERM TT	WD REF	NUMBER	TERM TT	EMC/SEP	FT	NOTE	EFFECTIVITY
742	24 PK	D00821	50	34-16-11	D00821	48	N2	1		VF251-VF260 VK181-VK190 VL806-VL810 VL871-VL880 VL931-VL945 VN096-VN110 VN174-VN190 VN657-VN670 VN968-VN970 VR461-VR461 VS061-VS061 VS091-VS094 VS111-VS111 VS131-VS132 VS176-VS177 VS186-VS187 VS206-VS207 VS261-VS262
742	24 PK	D00821	50	34-16-11	D00821	48	N2			VA001-VA001 VA021-VA300 VA316-VA500 VA520-VA800 VA811-VB300 VB302-VB370 VB374-VB410 VB421-VE020 VE024-VE100 VE104-VE180 VF001-VF011 VF021-VF110 VF161-VF180 VK001-VK180 VL001-VL040 VL701-VL790 VL796-VL805 VL891-VL930 VM999-VN095 VN111-VN173 VN191-VN340 VN371-VN656 VN671-VN960 VN966-VN967 VN971-VN990 VR401-VR401 VR421-VR421 VR426-VR426 VS051-VS051 VS066-VS068
743	24 PK	D04349J	17	31-51-33	D01489	20	N2	4		VA002-VA020 VA301-VA315 VA501-VA519 VA801-VA810 VB301-VB301 VB371-VB373 VE021-VE023 VE101-VE103
743	24 PK	D04349J	17	31-51-33	D01489	20	N2	4	MZK-F2	VF251-VF260 VK181-VK190 VL806-VL810 VL871-VL880 VL931-VL945 VN096-VN110 VN174-VN190 VN657-VN670 VN968-VN970 VR461-VR461 VS111-VS111 VS176-VS177 VS186-VS187 VS206-VS207
743	24 PK	D04349J	17	31-51-33	D01489	20	N2	2		VR471-VR471 VS196-VS199
743	24 PK	D04349J	17	23-22-11	D01489	20	N2	4		VL871-VL880
744	22 PA	D02261	41	79-36-11	D04349J	20	N2	2		VN111-VN150 VN821-VN920 VS246-VS248
744	22 PA	D02261	41	79-36-11	D04349J	20	N2	4		VL871-VL880
745	22 PA	D02261	9	79-36-11	D04347J	12	N2	2		VN111-VN150 VN821-VN920 VS246-VS248

286T0045-101
Wire Bundle Assembly
Figure 101 (Sheet 270)

25-71-02

TESTING & TROUBLE SHOOTING
01

Page 128K
Nov 01/02



COMPONENT
MAINTENANCE MANUAL

WIRE			FROM EQUIPMENT			TO EQUIPMENT			WIRE INFO				
NUMBER	GA	TYP	NUMBER	TERM	TT	WD REF	NUMBER	TERM	TT	EMC / SEP	FT	NOTE	EFFECTIVITY
745	22	PA	D02261	9		79-36-11	D04347J	12		N2	4		VA001-VB410 VB421-VE180 VF001-VF011 VF021-VF110 VF161-VF180 VK001-VK180 VL001-VL040 VL701-VL790 VL796-VL805 VL891-VL930 VM999-VN095 VN111-VN173 VN191-VN340 VN371-VN656 VN671-VN960 VN966-VN967 VN971-VN990 VR401-VR401 VR421-VR421 VR426-VR427 VR471-VR471 VS051-VS052 VS066-VS070 VS073-VS073 VS196-VS199 VS246-VS248 VS266-VS268
746	24	PK	D04597J	10		31-51-31	SM00043		W	N2	3		VF251-VF260 VK181-VK190 VL806-VL810 VL871-VL880 VL931-VL945 VN096-VN110 VN174-VN190 VN657-VN670 VN968-VN970 VR461-VR461 VS061-VS061 VS091-VS094 VS111-VS111 VS131-VS132 VS176-VS177 VS186-VS187 VS206-VS207 VS261-VS262
746	24	PK	D04597J	10		31-51-31	SM00043		W	N2	1		VA001-VB410 VB421-VE180 VF001-VF011 VF021-VF110 VF161-VF180 VK001-VK180 VL001-VL040 VL701-VL790 VL796-VL805 VL891-VL930 VM999-VN095 VN111-VN173 VN191-VN340 VN371-VN656 VN671-VN960 VN966-VN967 VN971-VN990 VR401-VR401 VR421-VR421 VR426-VR427 VR471-VR471 VS051-VS052 VS066-VS070 VS073-VS073 VS196-VS199 VS246-VS248 VS266-VS268
747	24	PK	D01487	46		31-51-31	SM00043		W	N2	3		VF251-VF260 VK181-VK190 VL806-VL810 VL871-VL880 VL931-VL945 VN096-VN110 VN174-VN190 VN657-VN670 VN968-VN970 VR461-VR461 VS061-VS061 VS091-VS094 VS111-VS111 VS131-VS132 VS176-VS177 VS186-VS187 VS206-VS207 VS261-VS262

286T0045-101
Wire Bundle Assembly
Figure 101 (Sheet 271)

25-71-02



BOEING
COMPONENT
MAINTENANCE MANUAL

WIRE			FROM EQUIPMENT			TO EQUIPMENT			WIRE INFO		
NUMBER	GA	TYP	NUMBER	TERM TT	WD REF	NUMBER	TERM TT	EMC / SEP	FT	NOTE	EFFECTIVITY
747	24	PK	D01487	46	31-51-31	SM00043	W	N2	1		VA001-VA001 VA021-VA300 VA316-VA500 VA520-VA800 VA811-VB300 VB302-VB370 VB374-VB410 VB421-VE020 VE024-VE100 VE104-VE180 VF001-VF011 VF021-VF110 VF161-VF180 VK001-VK180 VL001-VL040 VL701-VL790 VL796-VL805 VL891-VL930 VM999-VN095 VN111-VN173 VN191-VN340 VN371-VN656 VN671-VN960 VN966-VN967 VN971-VN990 VR401-VR401 VR421-VR421 VR426-VR427 VR471-VR471 VS051-VS052 VS066-VS070 VS073-VS073 VS196-VS199 VS246-VS248 VS266-VS268
748	24	PK	D04347J	7	31-51-31	SM00045	W	N2	3		VA002-VA020 VA301-VA315 VA501-VA519 VA801-VA810 VB301-VB301 VB371-VB373 VE021-VE023 VE101-VE103
748	24	PK	D04347J	7	31-51-31	SM00045	W	N2	3	MZK-F2	VF251-VF260 VK181-VK190 VL806-VL810 VL871-VL880 VL931-VL945 VN096-VN110 VN174-VN190 VN657-VN670 VN968-VN970 VR461-VR461 VS061-VS061 VS091-VS094 VS111-VS111 VS131-VS132 VS176-VS177 VS186-VS187 VS206-VS207 VS261-VS262
748	24	PK	D04347J	7	31-51-31	SM00045	W	N2	1		VA001-VB440 VB421-VE180 VF001-VF011 VF021-VF110 VF161-VF180 VK001-VK180 VL001-VL040 VL701-VL790 VL796-VL805 VL891-VL930 VM999-VN095 VN111-VN173 VN191-VN340 VN371-VN656 VN671-VN960 VN966-VN967 VN971-VN990 VR401-VR401 VR421-VR421 VR426-VR427 VR471-VR471 VS051-VS052 VS066-VS070 VS073-VS073 VS196-VS199 VS246-VS248 VS266-VS268

286T0045-101
Wire Bundle Assembly
Figure 101 (Sheet 272)

25-71-02

WIRE		FROM EQUIPMENT			TO EQUIPMENT			WIRE INFO					
NUMBER	GA	TYP	NUMBER	TERM	TT	WD REF	NUMBER	TERM	TT	EMC / SEP	FT	NOTE	EFFECTIVITY
749	24	PK	D01487	10		31-51-31	SM00045	W		N2	3		VF251-VF260 VK181-VK190 VL806-VL810 VL871-VL880 VL931-VL945 VN096-VN110 VN174-VN190 VN657-VN670 VN968-VN970 VR461-VR461 VS061-VS061 VS091-VS094 VS111-VS111 VS131-VS132 VS176-VS177 VS186-VS187 VS206-VS207 VS261-VS262
749	24	PK	D01487	10		31-51-31	SM00045	W		N2	1		VA001-VB410 VB421-VE180 VF001-VF011 VF021-VF110 VF161-VF180 VK001-VK180 VL001-VL040 VL701-VL790 VL796-VL805 VL891-VL930 VM999-VN095 VN111-VN173 VN191-VN340 VN371-VN656 VN671-VN960 VN966-VN967 VN971-VN990 VR401-VR401 VR421-VR421 VR426-VR427 VR471-VR471 VS051-VS052 VS066-VS070 VS073-VS073 VS196-VS199 VS246-VS248 VS266-VS268
750	24	PK	D01487	19		31-51-31	SM00046	W		N2	3		VF251-VF260 VK181-VK190 VL806-VL810 VL871-VL880 VL931-VL945 VN096-VN110 VN174-VN190 VN657-VN670 VN968-VN970 VR461-VR461 VS061-VS061 VS091-VS094 VS111-VS111 VS131-VS132 VS176-VS177 VS186-VS187 VS206-VS207 VS261-VS262
750	24	PK	D01487	19		31-51-31	SM00046	W		N2	1		VA001-VB410 VB421-VE180 VF001-VF011 VF021-VF110 VF161-VF180 VK001-VK180 VL001-VL040 VL701-VL790 VL796-VL805 VL891-VL930 VM999-VN095 VN111-VN173 VN191-VN340 VN371-VN656 VN671-VN960 VN966-VN967 VN971-VN990 VR401-VR401 VR421-VR421 VR426-VR427 VR471-VR471 VS051-VS052 VS066-VS070 VS073-VS073 VS196-VS199 VS246-VS248 VS266-VS268

 286T0045-101
 Wire Bundle Assembly
 Figure 101 (Sheet 273)

25-71-02



BOEING
COMPONENT
MAINTENANCE MANUAL

WIRE		FROM EQUIPMENT		TO EQUIPMENT		WIRE INFO				
NUMBER	CA TYP	NUMBER	TERM TT	WD REF	NUMBER	TERM TT	EMC/SEP	FT	NOTE	EFFECTIVITY
751	24 PK	D01487	13	31-51-31	SM00040	W	N2	3		VF251-VF260 VK181-VK190 VL806-VL810 VL871-VL880 VL931-VL945 VN096-VN110 VN174-VN190 VN657-VN670 VN968-VN970 VR461-VR461 VS061-VS061 VS091-VS094 VS111-VS111 VS131-VS132 VS176-VS177 VS186-VS187 VS206-VS207 VS261-VS262
751	24 PK	D01487	13	31-51-31	SM00040	W	N2	1		VA001-VB410 VB421-VE180 VF001-VF011 VF021-VF110 VF161-VF180 VK001-VK180 VL001-VL040 VL701-VL790 VL796-VL805 VL891-VL930 VM999-VN095 VN111-VN173 VN191-VN340 VN371-VN656 VN671-VN960 VN966-VN967 VN971-VN990 VR401-VR401 VR421-VR421 VR426-VR427 VR471-VR471 VS051-VS052 VS066-VS070 VS073-VS073 VS196-VS199 VS246-VS248 VS266-VS268
752	24 PK	D01487	47	31-51-31	SM00044	W	N2	3		VF251-VF260 VK181-VK190 VL806-VL810 VL871-VL880 VL931-VL945 VN096-VN110 VN174-VN190 VN657-VN670 VN968-VN970 VR461-VR461 VS061-VS061 VS091-VS094 VS111-VS111 VS131-VS132 VS176-VS177 VS186-VS187 VS206-VS207 VS261-VS262
752	24 PK	D01487	47	31-51-31	SM00044	W	N2	1		VA001-VB410 VB421-VE180 VF001-VF011 VF021-VF110 VF161-VF180 VK001-VK180 VL001-VL040 VL701-VL790 VL796-VL805 VL891-VL930 VM999-VN095 VN111-VN173 VN191-VN340 VN371-VN656 VN671-VN960 VN966-VN967 VN971-VN990 VR401-VR401 VR421-VR421 VR426-VR427 VR471-VR471 VS051-VS052 VS066-VS070 VS073-VS073 VS196-VS199 VS246-VS248 VS266-VS268

286T0045-101
Wire Bundle Assembly
Figure 101 (Sheet 274)

25-71-02

WIRE			FROM EQUIPMENT			TO EQUIPMENT			WIRE INFO		
NUMBER	GA	TYP	NUMBER	TERM TT	WD REF	NUMBER	TERM TT	EMC/SEP	FT	NOTE	EFFECTIVITY
753	24	PK	D01487	51	31-51-31	SM00041	W	N2	3		VF251-VF260 VK181-VK190 VL806-VL810 VL871-VL880 VL931-VL945 VN096-VN110 VN174-VN190 VG657-VN670 VN968-VN970 VR461-VR461 VS061-VS061 VS091-VS094 VS111-VS111 VS131-VS132 VS176-VS177 VS186-VS187 VS206-VS207 VS261-VS262
753	24	PK	D01487	51	31-51-31	SM00041	W	N2	1		VA001-VB320 VB371-VB410 VB421-VE180 VF001-VF010 VF021-VF100 VF161-VF170 VK001-VK180 VL001-VL040 VL701-VL790 VL796-VL805 VM999-VN095 VN151-VN170 VN191-VN340 VN377-VN380 VN383-VN470 VM491-VN530 VN546-VN550 VG51-VN656 VN671-VN680 VN731-VN820 VN931-VN950 VN966-VN967 VN971-VN990 VR401-VR401 VR421-VR421 VR426-VR427 VR471-VR471 VS066-VS070 VS073-VS073 VS196-VS199 VS266-VS268
755	24	PV	D01487	1	31-51-31	SM00035	W	N2	3		VF251-VF260 VK181-VK190 VL806-VL810 VL871-VL880 VL931-VL945 VN096-VN110 VG657-VN670 VN968-VN970 VR461-VR461 VS091-VS094 VS111-VS111 VS131-VS132 VS176-VS177 VS186-VS187 VS206-VS207 VS261-VS262
755	24	PV	D01487	1	31-51-31	SM00035	W	N2	1		VN636-VN636
755	24	PV	D01487	1	31-51-31	SM00035	W	N2	4	ZSZ-B6	VS061-VS061

286T0045-101
Wire Bundle Assembly
Figure 101 (Sheet 275)

25-71-02



COMPONENT
MAINTENANCE MANUAL

WIRE		FROM EQUIPMENT		TO EQUIPMENT		WIRE INFO					
NUMBER	GA	TYP	NUMBER	TERM TT	WD REF	NUMBER	TERM TT	EMC/SEP	FT	NOTE	EFFECTIVITY
755	24	PV	D01487	1	31-51-31	SM00035	W	N2	1		VA001-VB320 VB371-VB410 VB421-VE180 VF001-VF010 VF021-VF100 VF161-VF170 VK001-VK190 VL001-VL040 VL701-VL790 VL796-VL810 VL871-VL880 VL931-VL945 VM999-VN110 VN151-VN170 VN191-VN340 VN377-VN380 VN383-VN470 VN491-VN530 VN546-VN550 VN651-VN680 VN731-VN820 VN931-VN950 VN966-VN990 VR401-VR401 VR421-VR421 VR426-VR427 VR461-VR461 VR471-VR471 VS066-VS070 VS073-VS073 VS091-VS094 VS111-VS111 VS131-VS132 VS176-VS177 VS186-VS187 VS196-VS199 VS206-VS207 VS261-VS262 VS266-VS268
755Z			D01487	DED	31-51-31	SM00035	DED	N2			VF251-VF260
755Z			D01487	DED	31-51-31	SM00035	DED	N2			VN636-VN636
755Z			D01487	DED	31-51-31	SM00035	DED	N2		ZSZ-B6	VS061-VS061
755Z			D01487	DED	31-51-31	SM00035	DED	N2			VA001-VB320 VB371-VB410 VB421-VE180 VF001-VF010 VF021-VF100 VF161-VF170 VK001-VK180 VL001-VL040 VL701-VL790 VL796-VL805 VM999-VN095 VN151-VN170 VN191-VN340 VN377-VN380 VN383-VN470 VN491-VN530 VN546-VN550 VN651-VN656 VN671-VN680 VN731-VN820 VN931-VN950 VN966-VN967 VN971-VN990 VR401-VR401 VR421-VR421 VR426-VR427 VR471-VR471 VS066-VS070 VS073-VS073 VS196-VS199 VS266-VS268
756	24	PK	D01487	50	31-51-31	SM00036	W	N2	3		VF251-VF260
756	24	PV	D01487	50	31-51-31	SM00036	W	N2	1		VK181-VK190 VL806-VL810 VL871-VL880 VL931-VL945 VN096-VN110 VN657-VN670 VN968-VN970 VR461-VR461 VS091-VS094 VS111-VS111 VS131-VS132 VS176-VS177 VS186-VS187 VS206-VS207 VS261-VS262
756	24	PK	D01487	50	31-51-31	SM00036	W	N2	1		VN636-VN636
756	24	PK	D01487	50	31-51-31	SM00036	W	N2	4	ZSZ-B6	VS061-VS061

286T0045-101
Wire Bundle Assembly
Figure 101 (Sheet 276)

25-71-02

WIRE		FROM EQUIPMENT			TO EQUIPMENT			WIRE INFO					
NUMBER	GA	TYP	NUMBER	TERM	TT	WD REF	NUMBER	TERM	TT	EMC/SEP	FT	NOTE	EFFECTIVITY
756	24	PK	D01487	50		31-51-31	SM00036	W	N2	N2	1		VF251-VF260 VA001-VB324 VB333-VB410 VB421-VE180 VF001-VF011 VF021-VF110 VF161-VF180 VK001-VK180 VL001-VL040 VL701-VL790 VL796-VL805 VL891-VL910 VM999-VN095 VN151-VN173 VN191-VN340 VN371-VN530 VN546-VN550 VN631-VN656 VN671-VN820 VN921-VN960 VN966-VN967 VN971-VN990 VR401-VR401 VR421-VR421 VR426-VR427 VR471-VR471 VS066-VS070 VS073-VS073 VS196-VS199 VS266-VS268
757	24	PK	D01487	49		31-51-31	SM00039	W	N2	N2	3		VF251-VF260 VK181-VK190 VL806-VL810 VL871-VL880 VL931-VL945 VN096-VN110 VN174-VN190 VN657-VN670 VN968-VN970 VR461-VR461 VS061-VS061 VS091-VS094 VS111-VS111 VS131-VS132 VS176-VS177 VS186-VS187 VS206-VS207 VS261-VS262
757	24	PK	D01487	49		31-51-31	SM00039	W	N2	N2	1		VL911-VL930 VS051-VS052
757	24	PK	D01739	11		31-51-35	SM00039	W	N2	N2	2		VA001-VB410 VB421-VE180 VF001-VF011 VF021-VF110 VF161-VF180 VK001-VK180 VL001-VL040 VL701-VL790 VL796-VL805 VL891-VL930 VM999-VN095 VN111-VN173 VN191-VN340 VN371-VN656 VN671-VN960 VN966-VN967 VN971-VN990 VR401-VR401 VR421-VR421 VR426-VR427 VR471-VR471 VS051-VS052 VS066-VS070 VS073-VS073 VS196-VS199 VS246-VS248 VS266-VS268
758	24	PK	D01487	22		31-51-31	D01489	23	N2	N2	4		VF251-VF260 VK181-VK190 VL806-VL810 VL871-VL880 VL931-VL945 VN096-VN110 VN174-VN190 VN657-VN670 VN968-VN970 VR461-VR461 VS061-VS061 VS091-VS094 VS111-VS111 VS131-VS132 VS176-VS177 VS186-VS187 VS206-VS207 VS261-VS262

 286T0045-101
 Wire Bundle Assembly
 Figure 101 (Sheet 277)

25-71-02



BOEING
COMPONENT
MAINTENANCE MANUAL

WIRE			FROM EQUIPMENT			TO EQUIPMENT			WIRE INFO					
NUMBER	GA	TYP	NUMBER	TERM	TT	WD	REF	NUMBER	TERM	TT	EMC / SEP	FT	NOTE	EFFECTIVITY
758	24	PK	D01487	22		31-51-31		D01489	23		N2	2		VA001-VB410 VB421-VE180 VF001-VF011 VF021-VF110 VF161-VF180 VK001-VK180 VL001-VL040 VL701-VL790 VL796-VL805 VL891-VL930 VM999-VN095 VN111-VN173 VN191-VN340 VN371-VN656 VN671-VN960 VN966-VN967 VN971-VN990 VR401-VR401 VR421-VR421 VR426-VR427 VR471-VR471 VS051-VS052 VS066-VS070 VS073-VS073 VS196-VS199 VS246-VS248 VS266-VS268
759	24	PK	D01487	55		31-51-31		D01489	47		N2	4		VF251-VF260 VK181-VK190 VL806-VL810 VL871-VL880 VL931-VL945 VN096-VN110 VN174-VN190 VN657-VN670 VN968-VN970 VR461-VR461 VS061-VS061 VS091-VS094 VS111-VS111 VS131-VS132 VS176-VS177 VS186-VS187 VS206-VS207 VS261-VS262
759	24	PK	D01487	55		31-51-31		D01489	47		N2	2		VA001-VB410 VB421-VE180 VF001-VF011 VF021-VF110 VF161-VF180 VK001-VK180 VL001-VL040 VL701-VL790 VL796-VL805 VL891-VL930 VM999-VN095 VN111-VN173 VN191-VN340 VN371-VN656 VN671-VN960 VN966-VN967 VN971-VN990 VR401-VR401 VR421-VR421 VR426-VR427 VR471-VR471 VS051-VS052 VS066-VS070 VS073-VS073 VS196-VS199 VS246-VS248 VS266-VS268
760	24	PK	D01487	34		31-51-31		D01489	51		N2	4		VF251-VF260 VK181-VK190 VL806-VL810 VL871-VL880 VL931-VL945 VN096-VN110 VN174-VN190 VN657-VN670 VN968-VN970 VR461-VR461 VS061-VS061 VS091-VS094 VS111-VS111 VS131-VS132 VS176-VS177 VS186-VS187 VS206-VS207 VS261-VS262

286T0045-101
Wire Bundle Assembly
Figure 101 (Sheet 278)

25-71-02

TESTING & TROUBLE SHOOTING
01 Page 128S
Nov 01/02

WIRE		FROM EQUIPMENT			TO EQUIPMENT			WIRE INFO		
NUMBER	GA TYP	NUMBER	TERM TT	WD REF	NUMBER	TERM TT	EMC / SEP	FT	NOTE	EFFECTIVITY
760	24 PK	D01487	34	31-51-31	D01489	51	N2	2		VA001-VB410 VB421-VE180 VF001-VF011 VF021-VF110 VF161-VF180 VK001-VK180 VL001-VL040 VL701-VL790 VL796-VL805 VL891-VL930 VM999-VN095 VN111-VN173 VN191-VN340 VN371-VN656 VN671-VN960 VN966-VN967 VN971-VN990 VR401-VR401 VR421-VR421 VR426-VR427 VR471-VR471 VS051-VS052 VS066-VS070 VS073-VS073 VS196-VS199 VS246-VS248 VS266-VS268
761	24 PK	D01487	66	31-51-31	D01489	57	N2	4		VF251-VF260 VK181-VK190 VL806-VL810 VL871-VL880 VL931-VL945 VN096-VN110 VN174-VN190 VN657-VN670 VN968-VN970 VR461-VR461 VS061-VS061 VS091-VS094 VS111-VS111 VS131-VS132 VS176-VS177 VS186-VS187 VS206-VS207 VS261-VS262
761	24 PK	D01487	66	31-51-31	D01489	57	N2	2		VA001-VB410 VB421-VE180 VF001-VF011 VF021-VF110 VF161-VF180 VK001-VK180 VL001-VL040 VL701-VL790 VL796-VL805 VL891-VL930 VM999-VN095 VN111-VN173 VN191-VN340 VN371-VN656 VN671-VN960 VN966-VN967 VN971-VN990 VR401-VR401 VR421-VR421 VR426-VR427 VR471-VR471 VS051-VS052 VS066-VS070 VS073-VS073 VS196-VS199 VS246-VS248 VS266-VS268
762	24 PK	D00817	10	31-51-32	SM00045		N2	3		VF251-VF260 VK181-VK190 VL806-VL810 VL871-VL880 VL931-VL945 VN096-VN110 VN174-VN190 VN657-VN670 VN968-VN970 VR461-VR461 VS061-VS061 VS091-VS094 VS111-VS111 VS131-VS132 VS176-VS177 VS186-VS187 VS206-VS207 VS261-VS262

286T0045-101
Wire Bundle Assembly
Figure 101 (Sheet 279)

25-71-02



COMPONENT
MAINTENANCE MANUAL

WIRE		FROM EQUIPMENT			TO EQUIPMENT			WIRE INFO		
NUMBER	GA TYP	NUMBER	TERM TT	WD REF	NUMBER	TERM TT	EMC / SEP	FT	NOTE	EFFECTIVITY
762	24 PK	D00817	10	31-51-32	SM00045	W	N2	1		VA001-VB410 VB421-VE180 VF001-VF011 VF021-VF110 VF161-VF180 VK001-VK180 VL001-VL040 VL701-VL790 VL796-VL805 VL891-VL930 VM999-VN095 VN111-VN173 VN191-VN340 VN371-VN656 VN671-VN960 VN966-VN967 VN971-VN990 VR401-VR401 VR421-VR421 VR426-VR427 VR471-VR471 VS051-VS052 VS066-VS070 VS073-VS073 VS196-VS199 VS246-VS248 VS266-VS268
763	24 PK	D00817	46	31-51-32	SM00043	W	N2	3		VF251-VF260 VK181-VK190 VL806-VL810 VL871-VL880 VL931-VL945 VN096-VN110 VN174-VN190 VN657-VN670 VN968-VN970 VR461-VR461 VS061-VS061 VS091-VS094 VS111-VS111 VS131-VS132 VS176-VS177 VS186-VS187 VS206-VS207 VS261-VS262
763	24 PK	D00817	46	31-51-32	SM00043	W	N2	1		VA001-VB320 VB371-VB410 VB421-VE180 VF001-VF010 VF021-VF100 VF161-VF170 VK001-VK180 VL001-VL040 VL701-VL790 VL796-VL805 VM999-VN095 VN151-VN170 VN191-VN340 VN377-VN380 VN383-VN470 VN491-VN530 VN546-VN550 VN651-VN656 VN671-VN680 VN731-VN820 VN931-VN950 VN966-VN967 VN971-VN990 VR401-VR401 VR421-VR421 VR426-VR427 VR471-VR471 VS066-VS070 VS073-VS073 VS196-VS199 VS266-VS268
764	24 PV	D00817	1	31-51-32	SM00035	W	N2	3		VF251-VF260 VK181-VK190 VL806-VL810 VL871-VL880 VL931-VL945 VN096-VN110 VN657-VN670 VN968-VN970 VR461-VR461 VS091-VS094 VS111-VS111 VS131-VS132 VS176-VS177 VS186-VS187 VS206-VS207 VS261-VS262
764	24 PV	D00817	1	31-51-32	SM00035	W	N2	1		VN636-VN636
764	24 PV	D00817	1	31-51-32	SM00035	W	N2	4	ZSZ-B6	VS061-VS061

286T0045-101
Wire Bundle Assembly
Figure 101 (Sheet 280)

25-71-02

WIRE		FROM EQUIPMENT			TO EQUIPMENT			WIRE INFO					
NUMBER	GA	FYP	NUMBER	TERM	TT	WD REF	NUMBER	TERM	TT	EMC/SEP	FT	NOTE	EFFECTIVITY
764	24	PV	D00817	1		31-51-32	SM00035		W	N2	1		VA001-VB320 VB371-VB410 VB421-VE180 VF001-VF010 VF021-VF100 VF161-VF170 VF251-VF260 VK001-VK190 VL001-VL040 VL701-VL790 VL796-VL810 VL871-VL880 VL931-VL945 VM999-VN110 VN151-VN170 VN191-VN340 VN377-VN380 VN383-VN470 VN491-VN530 VN546-VN550 VN651-VN680 VN731-VN820 VN931-VN950 VN966-VN990 VR401-VR401 VR421-VR421 VR426-VR427 VR461-VR461 VR471-VR471 VS066-VS070 VS073-VS073 VS091-VS094 VS111-VS111 VS131-VS132 VS176-VS177 VS186-VS187 VS196-VS199 VS206-VS207 VS261-VS262 VS266-VS268
764Z			D00817	DED		31-51-32	SM00035	DED		N2			VN636-VN636
764Z			D00817	DED		31-51-32	SM00035	DED		N2		ZSZ-B6	VS061-VS061
764Z			D00817	DED		31-51-32	SM00035	DED		N2			VA001-VB320 VB371-VB410 VB421-VE180 VF001-VF010 VF021-VF100 VF161-VF170 VK001-VK180 VL001-VL040 VL701-VL790 VL796-VL805 VM999-VN095 VN151-VN170 VN191-VN340 VN377-VN380 VN383-VN470 VN491-VN530 VN546-VN550 VN651-VN656 VN671-VN680 VN731-VN820 VN931-VN950 VN966-VN967 VN971-VN990 VR401-VR401 VR421-VR421 VR426-VR427 VR471-VR471 VS066-VS070 VS073-VS073 VS196-VS199 VS266-VS266
765	24	PK	D00817	50		31-51-32	SM00036		W	N2	3		VF251-VF260
765	24	PV	D00817	50		31-51-32	SM00036		W	N2	1		VK181-VK190 VL806-VL810 VL871-VL880 VL931-VL945 VN096-VN110 VN657-VN670 VN968-VN970 VR461-VR461 VS091-VS094 VS111-VS111 VS131-VS132 VS176-VS177 VS186-VS187 VS206-VS207 VS261-VS262
765	24	PK	D00817	50		31-51-32	SM00036		W	N2	1		VN636-VN636
765	24	PK	D00817	50		31-51-32	SM00036		W	N2	4	ZSZ-B6	VS061-VS061
765	24	PK	D00817	50		31-51-32	SM00036		W	N2	1		VF251-VF260

286T0045-101
Wire Bundle Assembly
Figure 101 (Sheet 281)

25-71-02



BOEING
COMPONENT
MAINTENANCE MANUAL

WIRE		FROM EQUIPMENT			TO EQUIPMENT			WIRE INFO		
NUMBER	GA TYP	NUMBER	TERM TT	WD REF	NUMBER	TERM TT	EMC/SEP	FT	NOTE	EFFECTIVITY
765Z		D00817	DED	31-51-32	SM00036	DED	N2			VA001-VB324 VB333-VB410 VB421-VE180 VF001-VF011 VF021-VF110 VF161-VF180 VK001-VK180 VL001-VL040 VL701-VL790 VL796-VL805 VL891-VL910 VM999-VN095 VN151-VN173 VN191-VN340 VN371-VN530 VN546-VN550 VN631-VN656 VN671-VN820 VN921-VN960 VN966-VN967 VN971-VN990 VR401-VR401 VR421-VR421 VR426-VR427 VR471-VR471 VS066-VS070 VS073-VS073 VS196-VS199 VS266-VS268
766	24 PV	D00817	49	31-51-32	SM00053		W N2	3		VF251-VF260 VK181-VK190 VL806-VL810 VL871-VL880 VL931-VL945 VN096-VN110 VN174-VN190 VN657-VN670 VN968-VN970 VR461-VR461 VS061-VS061 VS091-VS094 VS111-VS111 VS131-VS132 VS176-VS177 VS186-VS187 VS206-VS207 VS261-VS262
766	24 PV	D00817	49	31-51-32	SM00053		W N2	1		VL911-VL930 VS051-VS052
766	24 PV	D01741	11	31-51-36	SM00053		W N2	1		VA001-VB324 VB333-VB410 VB421-VE180 VF001-VF011 VF021-VF110 VF161-VF180 VF251-VF260 VK001-VK190 VL001-VL040 VL701-VL790 VL796-VL810 VL871-VL880 VL891-VL910 VL931-VL945 VM999-VN110 VN151-VN340 VN371-VN530 VN546-VN550 VN631-VN820 VN921-VN960 VN966-VN990 VR401-VR401 VR421-VR421 VR426-VR427 VR461-VR461 VR471-VR471 VS061-VS061 VS066-VS070 VS073-VS073 VS091-VS094 VS111-VS111 VS131-VS132 VS176-VS177 VS186-VS187 VS196-VS199 VS206-VS207 VS261-VS262 VS266-VS268
766Z		D00817	DED	31-51-32	SM00053	DED	N2			VL911-VL930 VS051-VS052

286T0045-101
Wire Bundle Assembly
Figure 101 (Sheet 282)

25-71-02

WIRE		FROM EQUIPMENT			TO EQUIPMENT			WIRE INFO		
NUMBER	GA TYP	NUMBER	TERM FT	WD REF	NUMBER	TERM FT	EMC / SEP	FT	NOTE	EFFECTIVITY
766Z		D01741	DED	31-51-36	SM00053	DED	N2			VA001-VB410 VB421-VE180 VF001-VF011 VF021-VF110 VF161-VF180 VK001-VK180 VL001-VL040 VL701-VL790 VL796-VL805 VL891-VL930 VM999-VN095 VN111-VN173 VN191-VN340 VN371-VN656 VN671-VN960 VN966-VN967 VN971-VN990 VR401-VR401 VR421-VR421 VR426-VR427 VR471-VR471 VS051-VS052 VS066-VS070 VS073-VS073 VS196-VS199 VS246-VS248 VS266-VS268
767	24 PK	D00817	19	31-51-32	SM00046		W N2	3		VF251-VF260 VK181-VK190 VL806-VL810 VL871-VL880 VL931-VL945 VN096-VN110 VN174-VN190 VM657-VN670 VN968-VN970 VR461-VR461 VS061-VS061 VS091-VS094 VS111-VS111 VS131-VS132 VS176-VS177 VS186-VS187 VS206-VS207 VS261-VS262
767	24 PK	D00817	19	31-51-32	SM00046		W N2	1		VA001-VB410 VB421-VE180 VF001-VF011 VF021-VF110 VF161-VF180 VK001-VK180 VL001-VL040 VL701-VL790 VL796-VL805 VL891-VL930 VM999-VN095 VN111-VN173 VN191-VN340 VN371-VN656 VN671-VN960 VN966-VN967 VN971-VN990 VR401-VR401 VR421-VR421 VR426-VR427 VR471-VR471 VS051-VS052 VS066-VS070 VS073-VS073 VS196-VS199 VS246-VS248 VS266-VS268
768	24 PK	D00817	13	31-51-32	SM00040		W N2	3		VF251-VF260 VK181-VK190 VL806-VL810 VL871-VL880 VL931-VL945 VN096-VN110 VN174-VN190 VM657-VN670 VN968-VN970 VR461-VR461 VS061-VS061 VS091-VS094 VS111-VS111 VS131-VS132 VS176-VS177 VS186-VS187 VS206-VS207 VS261-VS262

 286T0045-101
 Wire Bundle Assembly
 Figure 101 (Sheet 283)

25-71-02



BOEING
COMPONENT
MAINTENANCE MANUAL

WIRE			FROM EQUIPMENT			TO EQUIPMENT			WIRE INFO		
NUMBER	GA	TYP	NUMBER	TERM FT	WD REF	NUMBER	TERM FT	EMC / SEP	FT	NOTE	EFFECTIVITY
768	24	PK	D00817	13	31-51-32	SM00040	W	N2	1		VA001-VB410 VB421-VE180 VF001-VF011 VF021-VF110 VF161-VF180 VK001-VK180 VL001-VL040 VL701-VL790 VL796-VL805 VL891-VL930 VM999-VN095 VN111-VN173 VN191-VN340 VN371-VN656 VN671-VN960 VN966-VN967 VN971-VN990 VR401-VR401 VR421-VR421 VR426-VR427 VR471-VR471 VS051-VS052 VS066-VS070 VS073-VS073 VS196-VS199 VS246-VS248 VS266-VS268
769	24	PK	D00817	47	31-51-32	SM00044	W	N2	3		VF251-VF260 VK181-VK190 VL806-VL810 VL871-VL880 VL931-VL945 VN096-VN110 VN174-VN190 VN657-VN670 VN968-VN970 VR461-VR461 VS061-VS061 VS091-VS094 VS111-VS111 VS131-VS132 VS176-VS177 VS186-VS187 VS206-VS207 VS261-VS262
769	24	PK	D00817	47	31-51-32	SM00044	W	N2	1		VA001-VB410 VB421-VE180 VF001-VF011 VF021-VF110 VF161-VF180 VK001-VK180 VL001-VL040 VL701-VL790 VL796-VL805 VL891-VL930 VM999-VN095 VN111-VN173 VN191-VN340 VN371-VN656 VN671-VN960 VN966-VN967 VN971-VN990 VR401-VR401 VR421-VR421 VR426-VR427 VR471-VR471 VS051-VS052 VS066-VS070 VS073-VS073 VS196-VS199 VS246-VS248 VS266-VS268
770	24	PK	D00817	51	31-51-32	SM00041	W	N2	3		VF251-VF260 VK181-VK190 VL806-VL810 VL871-VL880 VL931-VL945 VN096-VN110 VN174-VN190 VN657-VN670 VN968-VN970 VR461-VR461 VS061-VS061 VS091-VS094 VS111-VS111 VS131-VS132 VS176-VS177 VS186-VS187 VS206-VS207 VS261-VS262

286T0045-101
Wire Bundle Assembly
Figure 101 (Sheet 284)

25-71-02

WIRE		FROM EQUIPMENT			TO EQUIPMENT			WIRE INFO			
NUMBER	GA	TYP	NUMBER	TERM FT	WD REF	NUMBER	TERM FT	EMC/SEP	FT	NOTE	EFFECTIVITY
770	24	PK	D00817	51	31-51-32	SM00041	W	N2	1		VA001-VB410 VB421-VE180 VF001-VF011 VF021-VF110 VF161-VF180 VK001-VK180 VL001-VL040 VL701-VL790 VL796-VL805 VL891-VL930 VM999-VN095 VN111-VN173 VN191-VN340 VN371-VN656 VN671-VN960 VN966-VN967 VN971-VN990 VR401-VR401 VR421-VR421 VR426-VR427 VR471-VR471 VS051-VS052 VS066-VS070 VS073-VS073 VS196-VS199 VS246-VS248 VS266-VS268
772	24	PK	D00817	22	31-51-32	D01489	54	N2	3		VF251-VF260 VK181-VK190 VL806-VL810 VL871-VL880 VL931-VL945 VN096-VN110 VN174-VN190 VN657-VN670 VN968-VN970 VR461-VR461 VS061-VS061 VS091-VS094 VS111-VS111 VS131-VS132 VS176-VS177 VS186-VS187 VS206-VS207 VS261-VS262
772	24	PK	D00817	22	31-51-32	D01489	54	N2	2		VA001-VB410 VB421-VE180 VF001-VF011 VF021-VF110 VF161-VF180 VK001-VK180 VL001-VL040 VL701-VL790 VL796-VL805 VL891-VL930 VM999-VN095 VN111-VN173 VN191-VN340 VN371-VN656 VN671-VN960 VN966-VN967 VN971-VN990 VR401-VR401 VR421-VR421 VR426-VR427 VR471-VR471 VS051-VS052 VS066-VS070 VS073-VS073 VS196-VS199 VS246-VS248 VS266-VS268
773	24	PK	D00817	55	31-51-32	D01489	13	N2	3		VF251-VF260 VK181-VK190 VL806-VL810 VL871-VL880 VL931-VL945 VN096-VN110 VN174-VN190 VN657-VN670 VN968-VN970 VR461-VR461 VS061-VS061 VS091-VS094 VS111-VS111 VS131-VS132 VS176-VS177 VS186-VS187 VS206-VS207 VS261-VS262

286T0045-101
Wire Bundle Assembly
Figure 101 (Sheet 285)

25-71-02



BOEING
COMPONENT
MAINTENANCE MANUAL

WIRE		FROM EQUIPMENT			TO EQUIPMENT			WIRE INFO		
NUMBER	GA TYP	NUMBER	TERM TT	WD REF	NUMBER	TERM TT	EMC/SEP	FT	NOTE	EFFECTIVITY
773	24 PK	D00817	55	31-51-32	D01489	13	N2	2		VA001-VB410 VB421-VE180 VF001-VF011 VF021-VF110 VF161-VF180 VK001-VK180 VL001-VL040 VL701-VL790 VL796-VL805 VN891-VL930 VM999-VN095 VNI11-VNI73 VNI91-VN340 VN371-VN656 VN671-VN960 VN966-VN967 VN971-VN990 VR401-VR401 VR421-VR421 VR426-VR427 VR471-VR471 VS051-VS052 VS066-VS070 VS073-VS073 VS196-VS199 VS246-VS248 VS266-VS268
774	24 PK	D00817	34	31-51-32	D01489	25	N2	3		VF251-VF260 VK181-VK190 VL806-VL810 VL871-VL880 VL931-VL945 VN096-VNI10 VNI174-VNI190 VM657-VN670 VN968-VN970 VR461-VR461 VS061-VS061 VS091-VS094 VS111-VS111 VS131-VS132 VS176-VS177 VS186-VS187 VS206-VS207 VS261-VS262
774	24 PK	D00817	34	31-51-32	D01489	25	N2	2		VA001-VB410 VB421-VE180 VF001-VF011 VF021-VF110 VF161-VF180 VK001-VK180 VL001-VL040 VL701-VL790 VL796-VL805 VN891-VL930 VM999-VN095 VNI11-VNI73 VNI91-VN340 VN371-VN656 VN671-VN960 VN966-VN967 VN971-VN990 VR401-VR401 VR421-VR421 VR426-VR427 VR471-VR471 VS051-VS052 VS066-VS070 VS073-VS073 VS196-VS199 VS246-VS248 VS266-VS268
775	24 PK	D00817	66	31-51-32	D01489	58	N2	3		VF251-VF260 VK181-VK190 VL806-VL810 VL871-VL880 VL931-VL945 VN096-VNI10 VNI174-VNI190 VM657-VN670 VN968-VN970 VR461-VR461 VS061-VS061 VS091-VS094 VS111-VS111 VS131-VS132 VS176-VS177 VS186-VS187 VS206-VS207 VS261-VS262

286T0045-101
Wire Bundle Assembly
Figure 101 (Sheet 286)

25-71-02

WIRE		FROM EQUIPMENT			TO EQUIPMENT			WIRE INFO					
NUMBER	GA	TYP	NUMBER	TERM	TT	WD REF	NUMBER	TERM	TT	EMC / SEP	FT	NOTE	EFFECTIVITY
775	24	PK	D00817	66		31-51-32	D01489	58		N2	2		VA001-VA001 VA021-VA300 VA316-VA500 VA520-VA800 VA811-VB300 VB302-VB370 VB374-VB410 VB421-VE020 VE024-VE100 VE104-VE180 VF001-VF011 VF021-VF110 VF161-VF180 VK001-VK180 VL001-VL040 VL701-VL790 VL796-VL805 VL891-VL930 VM999-VN095 VN111-VN173 VN191-VN340 VN371-VN656 VN671-VN960 VN966-VN967 VN971-VN990 VR401-VR401 VR421-VR421 VR426-VR427 VR471-VR471 VS051-VS052 VS066-VS070 VS073-VS073 VS196-VS199 VS246-VS248 VS266-VS268
776	24	PK	D01489	42		31-51-33	D04347J	15		N2	4		VA002-VA020 VA301-VA315 VA501-VA519 VA801-VA810 VB301-VB301 VB371-VB373 VE021-VE023 VE101-VE103
776	24	PK	D01489	42		31-51-33	D04347J	15		N2	4	MZK-T2	VF251-VF260 VK181-VK190 VL806-VL810 VL871-VL880 VL931-VL945 VN096-VN110 VN174-VN190 VM657-VN670 VN968-VN970 VR461-VR461 VS061-VS061 VS091-VS094 VS111-VS111 VS131-VS132 VS176-VS177 VS186-VS187 VS206-VS207 VS261-VS262
776	24	PK	D01489	42		31-51-33	D04347J	15		N2	2		VA001-VA001 VA021-VA300 VA316-VA500 VA520-VA800 VA811-VB300 VB302-VB370 VB374-VB410 VB421-VE020 VE024-VE100 VE104-VE180 VF001-VF011 VF021-VF110 VF161-VF180 VK001-VK180 VL001-VL040 VL701-VL790 VL796-VL805 VL891-VL930 VM999-VN095 VN111-VN173 VN191-VN340 VN371-VN656 VN671-VN960 VN966-VN967 VN971-VN990 VR401-VR401 VR421-VR421 VR426-VR427 VR471-VR471 VS051-VS052 VS066-VS070 VS073-VS073 VS196-VS199 VS246-VS248 VS266-VS268
777	24	PK	D01489	8		31-51-33	D04349J	13		N2	4		VA002-VA020 VA301-VA315 VA501-VA519 VA801-VA810 VB301-VB301 VB371-VB373 VE021-VE023 VE101-VE103

286T0045-101
Wire Bundle Assembly
Figure 101 (Sheet 287)

25-71-02



BOEING
COMPONENT
MAINTENANCE MANUAL

WIRE			FROM EQUIPMENT			TO EQUIPMENT			WIRE INFO				
NUMBER	GA	TYP	NUMBER	TERM	TT	WD REF	NUMBER	TERM	TT	EMC / SEP	FT	NOTE	EFFECTIVITY
777	24	PK	D01489	8		31-51-33	D04349J	13		N2	4	MZK-T2	VF251-VF260 VK181-VK190 VL806-VL810 VL871-VL880 VL931-VL945 VN096-VN110 VN174-VN190 VN657-VN670 VN968-VN970 VR461-VR461 VS061-VS061 VS091-VS094 VS111-VS111 VS131-VS132 VS176-VS177 VS186-VS187 VS206-VS207 VS261-VS262
777	24	PK	D01489	8		31-51-33	D04349J	13		N2	2		VA001-VA001 VA021-VA300 VA316-VA500 VA520-VA800 VA811-VB300 VB302-VB370 VB374-VB410 VB421-VE020 VE024-VE100 VE104-VE180 VF001-VF011 VF021-VF110 VF161-VF180 VK001-VK180 VL001-VL040 VL701-VL790 VL796-VL805 VL891-VL930 VM999-VN095 VN111-VN173 VN191-VN340 VN371-VN656 VN671-VN960 VN966-VN967 VN971-VN990 VR401-VR421 VR421-VR421 VR426-VR427 VR471-VR471 VS051-VS052 VS066-VS070 VS073-VS073 VS196-VS199 VS246-VS248 VS266-VS268
779	24	PK	D01489	35		31-51-33	D04349J	40		N2	4		VA002-VA020 VA301-VA315 VA501-VA519 VA801-VA810 VB301-VB301 VB371-VB373 VE021-VE023 VE101-VE103
779	24	PK	D01489	35		31-51-33	D04349J	40		N2	4	MZK-T2	VF251-VF260 VK181-VK190 VL806-VL810 VL871-VL880 VL931-VL945 VN096-VN110 VN174-VN190 VN657-VN670 VN968-VN970 VR461-VR461 VS061-VS061 VS091-VS094 VS111-VS111 VS131-VS132 VS176-VS177 VS186-VS187 VS206-VS207 VS261-VS262

286T0045-101
Wire Bundle Assembly
Figure 101 (Sheet 288)

25-71-02

WIRE		FROM EQUIPMENT			TO EQUIPMENT			WIRE INFO			
NUMBER	GA	TYP	NUMBER	TERM TT	WD REF	NUMBER	TERM TT	EMC / SEP	FT	NOTE	EFFECTIVITY
779	24	PK	D01489	35	31-51-33	D04349J	40	N2	2		VA001-VA001 VA021-VA300 VA316-VA500 VA520-VA800 VA811-VB300 VB302-VB370 VB374-VB410 VB421-VE020 VE024-VE100 VE104-VE180 VF001-VF011 VF021-VF110 VF161-VF180 VK001-VK180 VL001-VL040 VL701-VL790 VL796-VL805 VL891-VL930 VM999-VN095 VN111-VN173 VN191-VN340 VN371-VN656 VN671-VN960 VN966-VN967 VN971-VN990 VR401-VR401 VR421-VR421 VR426-VR427 VR471-VR471 VS051-VS052 VS066-VS070 VS073-VS073 VS196-VS199 VS246-VS248 VS266-VS268
780	24	PK	D01489	53	31-51-33	D04349J	2	N2	4		VA002-VA020 VA301-VA315 VA501-VA519 VA801-VA810 VB301-VB301 VB371-VB373 VE021-VE023 VE101-VE103
780	24	PK	D01489	53	31-51-33	D04349J	2	N2	4	MZK-T2	VF251-VF260 VK181-VK190 VL806-VL810 VL871-VL880 VL931-VL945 VN096-VN110 VN174-VN190 VN657-VN670 VN968-VN970 VR461-VR461 VS061-VS061 VS091-VS094 VS111-VS111 VS131-VS132 VS176-VS177 VS186-VS187 VS206-VS207 VS261-VS262
780	24	PK	D01489	53	31-51-33	D04349J	2	N2	2		VA001-VB410 VB421-VE180 VF001-VF011 VF021-VF110 VF161-VF180 VK001-VK180 VL001-VL040 VL701-VL790 VL796-VL805 VL891-VL930 VM999-VN095 VN111-VN173 VN191-VN340 VN371-VN656 VN671-VN960 VN966-VN967 VN971-VN990 VR401-VR401 VR421-VR421 VR426-VR427 VR471-VR471 VS051-VS052 VS066-VS070 VS073-VS073 VS196-VS199 VS246-VS248 VS266-VS268

 286T0045-101
 Wire Bundle Assembly
 Figure 101 (Sheet 289)

25-71-02



BOEING
COMPONENT
MAINTENANCE MANUAL

WIRE		FROM EQUIPMENT			TO EQUIPMENT			WIRE INFO			
NUMBER	GA	TYP	NUMBER	TERM TT	WD REF	NUMBER	TERM TT	EMC/SEP	FT	NOTE	EFFECTIVITY
781	24	PK	D01489	31	31-51-33	D01489	48	N2	1		VF251-VF260 VK181-VK190 VL806-VL810 VL871-VL880 VL931-VL945 VN096-VN110 VN174-VN190 VM657-VN670 VN968-VN970 VR461-VR461 VS061-VS061 VS091-VS094 VS111-VS111 VS131-VS132 VS176-VS177 VS186-VS187 VS206-VS207 VS261-VS262
781	24	PK	D01489	31	31-51-33	D01489	48	N2			VA001-VB410 VB421-VE180 VF001-VF011 VF021-VF110 VF161-VF180 VK001-VK180 VL001-VL040 VL701-VL790 VL796-VL805 VL891-VL930 VM999-VN095 VN111-VN173 VN191-VN340 VN371-VN656 VM671-VN960 VN966-VN967 VN971-VN990 VR401-VR401 VR421-VR421 VR426-VR427 VR471-VR471 VS051-VS052 VS066-VS070 VS073-VS073 VS196-VS199 VS246-VS248 VS266-VS268
782	24	PK	D01489	18	31-51-33	D01489	22	N2	1		VF251-VF260 VR181-VK190 VL806-VL810 VL871-VL880 VL931-VL945 VN096-VN110 VN174-VN190 VM657-VN670 VN968-VN970 VR461-VR461 VS061-VS061 VS091-VS094 VS111-VS111 VS131-VS132 VS176-VS177 VS186-VS187 VS206-VS207 VS261-VS262
782	24	PK	D01489	18	31-51-33	D01489	22	N2			VA001-VB410 VB421-VE180 VF001-VF011 VF021-VF110 VF161-VF180 VK001-VK180 VL001-VL040 VL701-VL790 VL796-VL805 VL891-VL930 VM999-VN095 VN111-VN173 VN191-VN340 VN371-VN656 VM671-VN960 VN966-VN967 VN971-VN990 VR401-VR401 VR421-VR421 VR426-VR427 VR471-VR471 VS051-VS052 VS066-VS070 VS073-VS073 VS196-VS199 VS246-VS248 VS266-VS268

286T0045-101
Wire Bundle Assembly
Figure 101 (Sheet 290)

25-71-02

WIRE		FROM EQUIPMENT			TO EQUIPMENT			WIRE INFO			
NUMBER	GA	TYP	NUMBER	TERM TT	WD REF	NUMBER	TERM TT	EMC/SEP	FT	NOTE	EFFECTIVITY
783	24	PK	D01489	38	31-51-33	SM00008	W	N2	4		VF251-VF260 VK181-VK190 VL806-VL810 VL871-VL880 VL931-VL945 VN096-VN110 VN174-VN190 VN657-VN670 VN968-VN970 VR461-VR461 VS061-VS061 VS091-VS094 VS111-VS111 VS131-VS132 VS176-VS177 VS186-VS187 VS206-VS207 VS261-VS262
783	24	PK	D01489	38	31-51-33	SM00008	W	N2	1		VA001-VB410 VB421-VE180 VF001-VF011 VF021-VF110 VF161-VF180 VK001-VK180 VL001-VL040 VL701-VL790 VL796-VL805 VL891-VL930 VM999-VN095 VN111-VN173 VN191-VN340 VN371-VN656 VN671-VN960 VN966-VN967 VN971-VN990 VR401-VR401 VR421-VR421 VR426-VR427 VR471-VR471 VS051-VS052 VS066-VS070 VS073-VS073 VS196-VS199 VS246-VS248 VS266-VS268
784	24	PK	D01489	4	31-51-33	SM00011	W	N2	4		VF251-VF260 VK181-VK190 VL806-VL810 VL871-VL880 VL931-VL945 VN096-VN110 VN174-VN190 VN657-VN670 VN968-VN970 VR461-VR461 VS061-VS061 VS091-VS094 VS111-VS111 VS131-VS132 VS176-VS177 VS186-VS187 VS206-VS207 VS261-VS262
784	24	PK	D01489	4	31-51-33	SM00011	W	N2	1		VA001-VB410 VB421-VE180 VF001-VF011 VF021-VF110 VF161-VF180 VK001-VK180 VL001-VL040 VL701-VL790 VL796-VL805 VL891-VL930 VM999-VN095 VN111-VN173 VN191-VN340 VN371-VN656 VN671-VN960 VN966-VN967 VN971-VN990 VR401-VR401 VR421-VR421 VR426-VR427 VR471-VR471 VS051-VS052 VS066-VS070 VS073-VS073 VS196-VS199 VS246-VS248 VS266-VS268

 286T0045-101
 Wire Bundle Assembly
 Figure 101 (Sheet 291)

25-71-02

 TESTING & TROUBLE SHOOTING
 01 Page 130D
 Nov 01/02



BOEING
COMPONENT
MAINTENANCE MANUAL

WIRE		FROM EQUIPMENT			TO EQUIPMENT			WIRE INFO			
NUMBER	GA	TYP	NUMBER	TERM FT	WD REF	NUMBER	TERM FT	EMC / SEP	FT	NOTE	EFFECTIVITY
785	24	PK	D01489	37	31-51-33	SM00012	W	N2	4		VF251-VF260 VK181-VK190 VL806-VL810 VL871-VL880 VL931-VL945 VN096-VN110 VN174-VN190 VN657-VN670 VN968-VN970 VR461-VR461 VS061-VS061 VS091-VS094 VS111-VS111 VS131-VS132 VS176-VS177 VS186-VS187 VS206-VS207 VS261-VS262
785	24	PK	D01489	37	31-51-33	SM00012	W	N2	1		VAA01-VB410 VB421-VE180 VF001-VF011 VF021-VF110 VF161-VF180 VK001-VK180 VL001-VL040 VL701-VL790 VL796-VL805 VL891-VL930 VM999-VN095 VN111-VN173 VN191-VN340 VN371-VN656 VN671-VN960 VN966-VN967 VN971-VN990 VR401-VR401 VR421-VR421 VR426-VR427 VR471-VR471 VS051-VS052 VS066-VS070 VS073-VS073 VS196-VS199 VS246-VS248 VS266-VS268
786	24	PK	D01489	3	31-51-33	SM00010	W	N2	4		VF251-VF260 VK181-VK190 VL806-VL810 VL871-VL880 VL931-VL945 VN096-VN110 VN174-VN190 VN657-VN670 VN968-VN970 VR461-VR461 VS061-VS061 VS091-VS094 VS111-VS111 VS131-VS132 VS176-VS177 VS186-VS187 VS206-VS207 VS261-VS262
786	24	PK	D01489	3	31-51-33	SM00010	W	N2	1		VAA01-VB410 VB421-VE180 VF001-VF011 VF021-VF110 VF161-VF180 VK001-VK180 VL001-VL040 VL701-VL790 VL796-VL805 VL891-VL930 VM999-VN095 VN111-VN173 VN191-VN340 VN371-VN656 VN671-VN960 VN966-VN967 VN971-VN990 VR401-VR401 VR421-VR421 VR426-VR427 VR471-VR471 VS051-VS052 VS066-VS070 VS073-VS073 VS196-VS199 VS246-VS248 VS266-VS268

286T0045-101
Wire Bundle Assembly
Figure 101 (Sheet 292)

25-71-02

WIRE		FROM EQUIPMENT			TO EQUIPMENT			WIRE INFO		
NUMBER	GA TYP	NUMBER	TERM TT	WD REF	NUMBER	TERM TT	EMC/SEP	FT	NOTE	EFFECTIVITY
787	24 PK	D01489	1	31-51-33	SM00009		W N2	4		VF251-VF260 VK181-VK190 VL806-VL810 VL871-VL880 VL931-VL945 VN096-VN110 VN174-VN190 VN657-VN670 VN968-VN970 VR461-VR461 VS061-VS061 VS091-VS094 VS111-VS111 VS131-VS132 VS176-VS177 VS186-VS187 VS206-VS207 VS261-VS262
787	24 PK	D01489	1	31-51-33	SM00009		W N2	1		VA001-VB410 VB421-VE180 VF001-VF011 VF021-VF110 VF161-VF180 VK001-VK180 VL001-VL040 VL701-VL790 VL796-VL805 VL891-VL930 VM999-VN095 VN111-VN173 VN191-VN340 VN371-VN656 VN671-VN960 VN966-VN967 VN971-VN990 VR401-VR401 VR421-VR421 VR426-VR427 VR471-VR471 VS051-VS052 VS066-VS070 VS073-VS073 VS196-VS199 VS246-VS248 VS266-VS268
788	24 PK	D01489	6	31-51-33	SM00034		W N2	4		VF251-VF260 VK181-VK190 VL806-VL810 VL871-VL880 VL931-VL945 VN096-VN110 VN174-VN190 VN657-VN670 VN968-VN970 VR461-VR461 VS061-VS061 VS091-VS094 VS111-VS111 VS131-VS132 VS176-VS177 VS186-VS187 VS206-VS207 VS261-VS262
788	24 PK	D01489	6	31-51-33	SM00034		W N2	1		VA001-VB410 VB421-VE180 VF001-VF011 VF021-VF110 VF161-VF180 VK001-VK180 VL001-VL040 VL701-VL790 VL796-VL805 VL891-VL930 VM999-VN095 VN111-VN173 VN191-VN340 VN371-VN656 VN671-VN960 VN966-VN967 VN971-VN990 VR401-VR401 VR421-VR421 VR426-VR427 VR471-VR471 VS051-VS052 VS066-VS070 VS073-VS073 VS196-VS199 VS246-VS248 VS266-VS268

286T0045-101
Wire Bundle Assembly
Figure 101 (Sheet 293)

25-71-02



BOEING
COMPONENT
MAINTENANCE MANUAL

WIRES		FROM EQUIPMENT			TO EQUIPMENT			WIRE INFO		
NUMBER	GA TYP	NUMBER	TERM TT	WD REF	NUMBER	TERM TT	EMC/SEP	FT	NOTE	EFFECTIVITY
789	24 PK	D01489	41	31-51-33	D04509J	11	N2	4		VF251-VF260 VK181-VK190 VL806-VL810 VL871-VL880 VL931-VL945 VN096-VN110 VN174-VN190 VN657-VN670 VN968-VN970 VR461-VR461 VS061-VS061 VS091-VS094 VS111-VS111 VS131-VS132 VS176-VS177 VS186-VS187 VS206-VS207 VS261-VS262
789	24 PK	D01489	41	31-51-33	D04509J	11	N2	2		VA001-VB410 VB421-VE180 VF001-VF011 VF021-VF110 VF161-VF180 VK001-VK180 VL001-VL040 VL701-VL790 VL796-VL805 VL891-VL930 VM999-VN095 VN111-VN173 VN191-VN340 VN371-VN656 VN671-VN960 VN966-VN967 VN971-VN990 VR401-VR401 VR421-VR421 VR426-VR426 VS051-VS051 VS066-VS068
790	24 PK	D01489	21	31-51-33	D04509J	3	N2	4		VF251-VF260 VK181-VK190 VL806-VL810 VL871-VL880 VL931-VL945 VN096-VN110 VN174-VN190 VN657-VN670 VN968-VN970 VR461-VR461 VS111-VS111 VS176-VS177 VS206-VS207
790	24 PK	D01489	21	31-51-33	D04509J	3	N2	2		VA001-VB410 VB421-VE180 VF001-VF011 VF021-VF110 VF161-VF180 VK001-VK180 VL001-VL040 VL701-VL790 VL796-VL805 VL891-VL930 VM999-VN095 VN111-VN173 VN191-VN340 VN371-VN656 VN671-VN960 VN966-VN967 VN971-VN990 VR401-VR401 VR421-VR421 VR426-VR427 VR471-VR471 VS051-VS052 VS066-VS070 VS073-VS073 VS196-VS199 VS246-VS248 VS266-VS268
791	24 PK	D01489	7	31-51-33	D04509J	10	N2	4		VF251-VF260 VK181-VK190 VL806-VL810 VL871-VL880 VL931-VL945 VN096-VN110 VN174-VN190 VN657-VN670 VN968-VN970 VR461-VR461 VS061-VS061 VS091-VS094 VS111-VS111 VS131-VS132 VS176-VS177 VS186-VS187 VS206-VS207 VS261-VS262

286T0045-101
Wire Bundle Assembly
Figure 101 (Sheet 294)

25-71-02

WIRE		FROM EQUIPMENT			TO EQUIPMENT			WIRE INFO		
NUMBER	GA TYP	NUMBER	TERM TT	WD REF	NUMBER	TERM TT	EMC/SEP	FT	NOTE	EFFECTIVITY
791	24 PK	D01489	7	31-51-33	D04509J	10	N2	2		VA001-VB410 VB421-VE180 VF001-VF011 VF021-VF110 VF161-VF180 VK001-VK180 VL001-VL040 VL701-VL790 VL796-VL805 VL891-VL930 VM999-VN095 VN111-VN173 VN191-VN340 VN371-VN656 VN671-VN960 VN966-VN967 VN971-VN990 VR401-VR401 VR421-VR421 VR426-VR427 VR471-VR471 VS051-VS052 VS066-VS070 VS073-VS073 VS196-VS199 VS246-VS248 VS266-VS268
792	24 PK	D01489	40	31-51-33	D04509J	9	N2	4		VF251-VF260 VK181-VK190 VL806-VL810 VL871-VL880 VL931-VL945 VN096-VN110 VN174-VN190 VN657-VN670 VN968-VN970 VR461-VR461 VS061-VS061 VS091-VS094 VS111-VS111 VS131-VS132 VS176-VS177 VS186-VS187 VS206-VS207 VS261-VS262
792	24 PK	D01489	40	31-51-33	D04509J	9	N2	2		VA001-VB410 VB421-VE180 VF001-VF011 VF021-VF110 VF161-VF180 VK001-VK180 VL001-VL040 VL701-VL790 VL796-VL805 VL891-VL930 VM999-VN095 VN111-VN173 VN191-VN340 VN371-VN656 VN671-VN960 VN966-VN967 VN971-VN990 VR401-VR401 VR421-VR421 VR426-VR427 VR471-VR471 VS051-VS052 VS066-VS070 VS073-VS073 VS196-VS199 VS246-VS248 VS266-VS268
793	24 PK	D00819	11	31-51-41	SM00075	W	N2	2		VF251-VF260 VK181-VK190 VL806-VL810 VL871-VL880 VL931-VL945 VN096-VN110 VN174-VN190 VN657-VN670 VN968-VN970 VR461-VR461 VS061-VS061 VS091-VS094 VS111-VS111 VS131-VS132 VS176-VS177 VS186-VS187 VS206-VS207 VS261-VS262

286T0045-101
Wire Bundle Assembly
Figure 101 (Sheet 295)

25-71-02



BOEING
COMPONENT
MAINTENANCE MANUAL

WIRE			FROM EQUIPMENT			TO EQUIPMENT			WIRE INFO		
NUMBER	GA	TYP	NUMBER	TERM FT	WD REF	NUMBER	TERM FT	EMC / SEP	FT	NOTE	EFFECTIVITY
793	24	PK	D00819	11	31-51-41	SM00075	W	N2	1		VA001-VA800 VB001-VB410 VB421-VE120 VE171-VF180 VF001-VF010 VF061-VF110 VF161-VF170 VK001-VK180 VL001-VL040 VL701-VL790 VL796-VL805 VL911-VL930 VN999-VN095 VN111-VN173 VN191-VN340 VN371-VN656 VN671-VN960 VN966-VN967 VN971-VN990 VR401-VR401 VR421-VR421 VR426-VR427 VR471-VR471 VS051-VS052 VS066-VS070 VS073-VS073 VS196-VS199 VS246-VS248 VS266-VS268
794	20	PA	D04303J	10	31-51-32	GDX0004	S..	N2	4		VA801-VA999
794	20	PA	D04303J	10	31-51-32	SM00070	W	N2	3		VE121-VE170 VF011-VF011 VF021-VF060 VF171-VF180
794	20	PA	D04303J	10	31-51-32	GDX0004	S..	N2	4		VF251-VF260
794	20	PA	D04303J	10	31-51-32	GDX0004	S..	N2	2		VK181-VK190 VL806-VL810 VL871-VL880 VL931-VL945 VN096-VN110 VN174-VN190 VN657-VN670 VN968-VN970 VR461-VR461 VS061-VS061 VS091-VS094 VS111-VS111 VS131-VS132 VS176-VS177 VS186-VS187 VS206-VS207 VS261-VS262
794	20	PA	D04303J	10	31-51-32	GDX0004	S..	N2	2		VL891-VL910
794	20	PA	D04303J	10	31-51-32	GDX0004	S..	N2	4		VA001-VB410 VB421-VE180 VF001-VF011 VF021-VF110 VF161-VF180 VK001-VK180 VL001-VL040 VL701-VL790 VL796-VL805 VL891-VL930 VM999-VN095 VN111-VN173 VN191-VN340 VN371-VN656 VN671-VN960 VN966-VN967 VN971-VN990 VR401-VR401 VR421-VR421 VR426-VR427 VR471-VR471 VS051-VS052 VS066-VS070 VS073-VS073 VS196-VS199 VS246-VS248 VS266-VS268

286T0045-101
Wire Bundle Assembly
Figure 101 (Sheet 296)

25-71-02

TESTING & TROUBLE SHOOTING
01

Page 130I
Nov 01/02

WIRE		FROM EQUIPMENT			TO EQUIPMENT			WIRE INFO			
NUMBER	GA	TYP	NUMBER	TERM TT	WD REF	NUMBER	TERM TT	EMC/SEP	FT	NOTE	EFFECTIVITY
795	24	PK	D01433	9	31-51-42	D01433	48	N2	1		VF251-VF260 VK181-VK190 VL806-VL810 VL871-VL880 VL931-VL945 VN096-VN110 VN174-VN190 VN657-VN670 VN968-VN970 VR461-VR461 VS061-VS061 VS091-VS094 VS111-VS111 VS131-VS132 VS176-VS177 VS186-VS187 VS206-VS207 VS261-VS262
795	24	PK	D01433	9	31-51-42	D01433	48	N2			VA001-VB410 VB421-VE180 VF001-VF011 VF021-VF110 VF161-VF180 VK001-VK180 VL001-VL040 VL701-VL790 VL796-VL805 VL891-VL930 VM999-VN095 VN111-VN173 VN191-VN340 VN371-VN656 VN671-VN960 VN966-VN967 VN971-VN990 VR401-VR401 VR421-VR421 VR426-VR427 VR471-VR471 VS051-VS052 VS066-VS070 VS073-VS073 VS196-VS199 VS246-VS248 VS266-VS268
796	24	PK	D01433	22	31-51-42	D01433	50	N2	1		VF251-VF260 VK181-VK190 VL806-VL810 VL871-VL880 VL931-VL945 VN096-VN110 VN174-VN190 VN657-VN670 VN968-VN970 VR461-VR461 VS061-VS061 VS091-VS094 VS111-VS111 VS131-VS132 VS176-VS177 VS186-VS187 VS206-VS207 VS261-VS262
796	24	PK	D01433	22	31-51-42	D01433	50	N2			VA001-VB410 VB421-VE180 VF001-VF011 VF021-VF110 VF161-VF180 VK001-VK180 VL001-VL040 VL701-VL790 VL796-VL805 VL891-VL930 VM999-VN095 VN111-VN173 VN191-VN340 VN371-VN656 VN671-VN960 VN966-VN967 VN971-VN990 VR401-VR401 VR421-VR421 VR426-VR427 VR471-VR471 VS051-VS052 VS066-VS070 VS073-VS073 VS196-VS199 VS246-VS248 VS266-VS268

286T0045-101
Wire Bundle Assembly
Figure 101 (Sheet 297)

25-71-02



BOEING
COMPONENT
MAINTENANCE MANUAL

WIRE		FROM EQUIPMENT			TO EQUIPMENT			WIRE INFO		
NUMBER	GA TYP	NUMBER	TERM FT	WD REF	NUMBER	TERM FT	EMC / SEP	FT	NOTE	EFFECTIVITY
797	24 PV	D00815	41	31-51-21	SM00053	W	N2	3		VF251-VF260 VK181-VK190 VL806-VL810 VL871-VL880 VL931-VL945 VN096-VN110 VN174-VN190 VN657-VN670 VN968-VN970 VR461-VR461 VS061-VS061 VS091-VS094 VS111-VS111 VS131-VS132 VS176-VS177 VS186-VS187 VS206-VS207 VS261-VS262
797	24 PV	D00815	41	31-51-21	SM00053	W	N2	1		VA001-VA001 VA021-VA300 VA316-VA500 VA520-VA800 VA811-VB300 VB302-VB370 VB374-VB410 VB421-VE020 VE024-VE100 VE104-VE180 VF001-VF011 VF021-VF110 VF161-VF180 VK001-VK180 VL001-VL040 VL701-VL790 VL796-VL805 VL891-VL930 VM999-VN095 VN111-VN173 VN191-VN340 VN371-VN656 VN671-VN960 VN966-VN967 VN971-VN990 VR401-VR401 VR421-VR421 VR426-VR427 VR471-VR471 VS051-VS052 VS066-VS070 VS073-VS073 VS196-VS199 VS246-VS248 VS266-VS268
798	24 PV	D04349J	9	31-51-21	SM00053	W	N2	3		VA002-VA020 VA301-VA315 VA501-VA519 VA801-VA810 VB301-VB301 VB371-VB373 VE021-VE023 VE101-VE103
798	24 PV	D04349J	9	31-51-21	SM00053	W	N2	3	MZK-F2	VF251-VF260 VK181-VK190 VL806-VL810 VL871-VL880 VL931-VL945 VN096-VN110 VN174-VN190 VN657-VN670 VN968-VN970 VR461-VR461 VS061-VS061 VS091-VS094 VS111-VS111 VS131-VS132 VS176-VS177 VS186-VS187 VS206-VS207 VS261-VS262
798	24 PV	D04349J	9	31-51-21	SM00053	W	N2	1		VE061-VE100 VE116-VE120 VK161-VK170 VN081-VN095 VN111-VN150 VN376-VN380 VN531-VN630 VN821-VN920 VS246-VS248
798Z	24 PV	D04349J	DED	31-51-21	SM00053	DED	N2			

286T0045-101
Wire Bundle Assembly
Figure 101 (Sheet 298)

25-71-02

WIRE		FROM EQUIPMENT			TO EQUIPMENT			WIRE INFO			
NUMBER	GA	TYP	NUMBER	TERM TT	WD REF	NUMBER	TERM TT	EMC/SEP	FT	NOTE	EFFECTIVITY
799	24	PK	D04301J	7	31-51-34	D00907	49	N2	4		VE061-VE100 VE116-VE120 VK161-VK170 VN081-VN095 VN111-VN150 VN376-VN380 VN531-VN630 VN821-VN920 VS246-VS248
800	24	PK	D00907	5	31-51-34	D00907	22	N2	2		VE061-VE100 VE116-VE120 VK161-VK170 VN081-VN095 VN111-VN150 VN376-VN380 VN531-VN630 VN821-VN920 VS246-VS248
801	24	PK	D00907	6	31-51-34	D00907	48	N2	2		VE061-VE100 VE116-VE120 VK161-VK170 VN081-VN095 VN111-VN150 VN376-VN380 VN531-VN630 VN821-VN920 VS246-VS248
802	24	PK	D04511J	20	31-51-34	D00907	13	N2	4		VE061-VE100 VE116-VE120 VK161-VK170 VN081-VN095 VN111-VN150 VN376-VN380 VN531-VN630 VN821-VN920 VS246-VS248
803	24	PK	D04511J	21	31-51-34	D00907	3	N2	4		VE061-VE100 VE116-VE120 VK161-VK170 VN081-VN095 VN111-VN150 VN376-VN380 VN531-VN630 VN821-VN920 VS246-VS248
804	24	PK	SM00013		31-51-34	D00907	50	N2	3		VE061-VE100 VE116-VE120 VK161-VK170 VN081-VN095
805	24	PK	D00811	66	31-51-11	D00907	1	N2	5		VN111-VN150 VN376-VN380 VN821-VN920 VS246-VS248
805	24	PK	SM00063		31-51-11	D00907	1	N2	4		VN531-VN630
805	24	PK	SM00063		31-51-11	D00907	1	N2	3		VE061-VE100 VE116-VE120 VK161-VK170 VN081-VN095
806	24	PK	D00811	62	31-51-11	D00907	27	N2	5		VN111-VN150 VN376-VN380 VN821-VN920 VS246-VS248
806	24	PV	SM00062		31-51-11	D00907	27	N2	5		VN531-VN630
806	24	PV	SM00062		31-51-11	D00907	27	N2	3		VN111-VN150 VN376-VN380 VN531-VN630 VN821-VN920 VS246-VS248
806Z			D00907	REF	31-51-11	SM00062	REF	N2			VE061-VE100 VE116-VE120 VK161-VK170 VN081-VN095
807	24	PK	D00811	76	31-51-11	D00907	32	N2	5		VN111-VN150 VN376-VN380 VN821-VN920 VS246-VS248
807	24	PV	SM00059		31-51-11	D00907	32	N2	5		VN531-VN630

286T0045-101
Wire Bundle Assembly
Figure 101 (Sheet 299)

25-71-02



BOEING
COMPONENT
MAINTENANCE MANUAL

WIRE		FROM EQUIPMENT			TO EQUIPMENT			WIRE INFO			
NUMBER	GA	TYP	NUMBER	TERM TT	WD REF	NUMBER	TERM TT	EMC/SEP	FT	NOTE	EFFECTIVITY
807	24	PV	SM00059		31-51-11	D00907	32	N2	3		VN111-VN150 VN376-VN380 VM531-VN630 VN821-VN920 VS246-VS248
807Z			D00907	REF	31-51-11	SM00059	REF	N2			VE116-VE120 VK161-VK170 VN061-VN095
808	24	PK	D00811	53	31-51-11	D00907	17	N2	5		VN111-VN150 VN376-VN380 VM531-VN630 VN821-VN920 VS246-VS248
808	24	PV	D00811	53	31-51-11	D00907	17	N2	5		VN111-VN150 VN376-VN380 VM531-VN630 VN821-VN920 VS246-VS248
808Z			D00811	DED	31-51-11	D00907	REF	N2			VE116-VE120 VK161-VK170 VN061-VN095
809	22	PA	GDX0006	D.. 2	31-51-11	D00907	14	N2	3		VN111-VN150 VN376-VN380 VM531-VN630 VN821-VN920 VS246-VS248
810	22	PA	GDX0006	D.. 2	31-51-12	D00907	15	N2	3		VE116-VE120 VK161-VK170 VN061-VN095
811	24	PK	D00813	66	31-51-12	D00907	47	N2	4		VN111-VN150 VN376-VN380 VM531-VN630 VN821-VN920 VS246-VS248
811	24	PK	SM00076		31-51-12	D00907	47	N2	4		VN531-VN630
811	24	PK	SM00076		31-51-12	D00907	47	N2	3		VE116-VE120 VK161-VK170 VN061-VN095
812	24	PK	D00813	62	31-51-12	D00907	30	N2	4		VN111-VN150 VN376-VN380 VM531-VN630 VN821-VN920 VS246-VS248
812	24	PV	SM00072		31-51-12	D00907	30	N2	4		VN531-VN630
812	24	PV	SM00072		31-51-12	D00907	30	N2	3		VN111-VN150 VN376-VN380 VM531-VN630 VN821-VN920 VS246-VS248
812Z			SM00072	REF	31-51-12	D00907	REF	N2			VE116-VE120 VK161-VK170 VN061-VN095
813	24	PK	D00813	76	31-51-12	D00907	33	N2	4		VN111-VN150 VN376-VN380 VM531-VN630 VN821-VN920 VS246-VS248
813	24	PV	SM00064		31-51-12	D00907	33	N2	4		VN531-VN630

286T0045-101
Wire Bundle Assembly
Figure 101 (Sheet 300)

25-71-02

WIRE			FROM EQUIPMENT			TO EQUIPMENT			WIRE INFO		
NUMBER	GA	TYP	NUMBER	TERM TT	WD REF	NUMBER	TERM TT	EMC/SEP	FT	NOTE	EFFECTIVITY
813	24	PV	SM00064	W	31-51-12	D00907	33	N2	3		VN111-VN150 VN376-VN380 VN531-VN630 VN821-VN920 VS246-VS248
813Z			D00907	REF	31-51-12	SM00064	REF	N2			VE061-VE100 VE116-VE120 VK161-VK170 VN081-VN095
814	24	PK	D00813	53	31-51-12	D00907	24	N2	4		VN111-VN150 VN376-VN380 VN531-VN630 VN821-VN920 VS246-VS248
814	24	PV	D00813	53	31-51-12	D00907	24	N2	4		VN111-VN150 VN376-VN380 VN531-VN630 VN821-VN920 VS246-VS248
814Z			D00813	DED	31-51-12	D00907	REF	N2			VE061-VE082 VE085-VE100 VE116-VE120 VK161-VK170 VN081-VN095 VN111-VN150 VN376-VN380 VN531-VN630 VN821-VN920 VS246-VS248
815	24	PK	D01487	20	31-51-31	SM00013		N2	3		VE083-VE084
815	24	PK	D01487	20	31-51-31	SM00013		N2	3	ZSZ-B6	VE061-VE082 VE085-VE100 VE116-VE120 VK161-VK170 VN081-VN095 VN111-VN150 VN376-VN380 VN531-VN630 VN821-VN920 VS246-VS248
816	24	PK	D00817	20	31-51-32	SM00013		N2	3		VE083-VE084
816	24	PK	D00817	20	31-51-32	SM00013		N2	3	ZSZ-B6	VA002-VA020 VA501-VA519 VA801-VA810 VB251-VB253 VB301-VB302 VB323-VB324 VE001-VE002 VE021-VE023 VE101-VE103

286T0045-101
 Wire Bundle Assembly
 Figure 101 (Sheet 301)

25-71-02

TESTING & TROUBLE SHOOTING
 01 Page 130N
 Nov 01/02



BOEING
COMPONENT
MAINTENANCE MANUAL

WIRE		FROM EQUIPMENT			TO EQUIPMENT			WIRE INFO		
NUMBER	GA TYP	NUMBER	TERM TT	WD REF	NUMBER	TERM TT	EMC/SEP	FT	NOTE	EFFECTIVITY
817	24 PK	D00823	55	27-32-12	D11553	6	N2	3	MOT-F2	VA021-VA300 VA316-VA500 VA520-VA700 VA713-VA800 VA811-VA999 VB003-VB050 VB056-VB100 VB124-VB200 VB203-VB250 VB254-VB280 VB285-VB300 VB303-VB320 VB325-VB370 VB374-VB400 VB402-VB410 VB421-VB999 VE003-VE020 VE024-VE040 VE044-VE060 VE069-VE100 VE104-VE115 VE118-VE180 VF001-VF011 VF021-VF110 VF161-VF180 VK001-VK180 VL001-VL040 VL701-VL790 VL796-VL805 VL891-VL930 VM999-VN095 VN111-VN173 VN191-VN340 VN371-VN656 VN671-VN960 VN966-VN967 VN971-VN990 VR401-VR401 VR421-VR421 VR426-VR427 VR471-VR471 VS051-VS052 VS066-VS070 VS073-VS073 VS196-VS199 VS246-VS248 VS266-VS268
817	24 PK	D00823	55	27-32-12	D11553	6	N2	3	MOT-F2	VA301-VA315
817	24 PK	D00823	55	27-32-12	D11553	6	N2	3	MOT-F2	VB101-VB123 VB371-VB373
817	24 PK	D00823	55	27-32-12	D11553	6	N2	3	MOT-F2	VE117-VE117
817	24 PK	D00823	55	27-32-12	D11553	6	N2	5	MOT-F2	VF251-VF260 VK181-VK190 VL806-VL810 VL871-VL880 VL931-VL945 VN096-VN110 VN174-VN190 VN657-VN670 VN968-VN970 VR461-VR461 VS061-VS061 VS091-VS094 VS111-VS111 VS131-VS132 VS176-VS177 VS186-VS187 VS206-VS207 VS261-VS262
817	24 PK	D00823	55	27-32-12	D11553	6	N2	2		VA002-VA020 VA501-VA519 VA801-VA810 VB251-VB253 VB301-VB302 VB323-VB324 VE001-VE002 VE021-VE023 VE101-VE103

286T0045-101
Wire Bundle Assembly
Figure 101 (Sheet 302)

25-71-02

TESTING & TROUBLE SHOOTING
01

Page 1300
Nov 01/02



COMPONENT
MAINTENANCE MANUAL

WIRE			FROM EQUIPMENT			TO EQUIPMENT			WIRE INFO		
NUMBER	GA	TYP	NUMBER	TERM TT	WD REF	NUMBER	TERM TT	EMC/SEP	FT	NOTE	EFFECTIVITY
818	24	PK	D00823	21	27-32-12	D11553	4	N2	3	MOT-F2	VA021-VA300 VA316-VA500 VA520-VA700 VA713-VA800 VA811-VA999 VB003-VB050 VB056-VB100 VB124-VB200 VB203-VB250 VB254-VB280 VB285-VB300 VB303-VB320 VB325-VB370 VB374-VB400 VB402-VB410 VB421-VB999 VE003-VE020 VE024-VE040 VE044-VE060 VE069-VE100 VE104-VE115 VE118-VE180 VF001-VF011 VF021-VF110 VF161-VF180 VK001-VK180 VL001-VL040 VL701-VL790 VL796-VL805 VL891-VL930 VM999-VN095 VN111-VN173 VN191-VN340 VN371-VN656 VN671-VN960 VN966-VN967 VN971-VN990 VR401-VR401 VR421-VR421 VR426-VR427 VR471-VR471 VS051-VS052 VS066-VS070 VS073-VS073 VS196-VS199 VS246-VS248 VS266-VS268
818	24	PK	D00823	21	27-32-12	D11553	4	N2	3	MOT-F2	VA301-VA315
818	24	PK	D00823	21	27-32-12	D11553	4	N2	3	MOT-F2	VB101-VB123 VB371-VB373
818	24	PK	D00823	21	27-32-12	D11553	4	N2	3	MOT-F2	VE117-VE117
818	24	PK	D00823	21	27-32-12	D11553	4	N2	5	MOT-F2	VF251-VF260 VK181-VK190 VL806-VL810 VL871-VL880 VL931-VL945 VN096-VN110 VN174-VN190 VN657-VN670 VN968-VN970 VR461-VR461 VS061-VS061 VS091-VS094 VS111-VS111 VS131-VS132 VS176-VS177 VS186-VS187 VS206-VS207 VS261-VS262
818	24	PK	D00823	21	27-32-12	D11553	4	N2	2		VA002-VA020 VA501-VA519 VA801-VA810 VB251-VB253 VB301-VB302 VB323-VB324 VE001-VE002 VE021-VE023 VE101-VE103

286T0045-101
Wire Bundle Assembly
Figure 101 (Sheet 303)

25-71-02



BOEING
COMPONENT
MAINTENANCE MANUAL

WIRE			FROM EQUIPMENT			TO EQUIPMENT			WIRE INFO				
NUMBER	GA	TYP	NUMBER	TERM	TT	WD REF	NUMBER	TERM	TT	EMC/SEP	FT	NOTE	EFFECTIVITY
819	24	PK	D00823	51		27-32-12	D11553	3		N2	3	MOT-F2	VA021-VA300 VA316-VA500 VA520-VA700 VA713-VA800 VA811-VA999 VB003-VB050 VB056-VB100 VB124-VB200 VB203-VB250 VB254-VB280 VB285-VB300 VB303-VB320 VB325-VB370 VB374-VB400 VB402-VB410 VB421-VB999 VE003-VE020 VE024-VE040 VE044-VE060 VE069-VE100 VE104-VE115 VE118-VE180 VF001-VF011 VF021-VF110 VF161-VF180 VK001-VK180 VL001-VL040 VL701-VL790 VL796-VL805 VL891-VL930 VM999-VN095 VN111-VN173 VN191-VN340 VN371-VN656 VN671-VN960 VNS966-VN967 VN971-VN990 VR401-VR401 VR421-VR421 VR426-VR427 VR471-VR471 VS051-VS052 VS066-VS070 VS073-VS073 VS196-VS199 VS246-VS248 VS266-VS268
819	24	PK	D00823	51		27-32-12	D11553	3		N2	3		VA301-VA315
819	24	PK	D00823	51		27-32-12	D11553	3		N2	3	MOT-F2	VB101-VB123 VB371-VB373
819	24	PK	D00823	51		27-32-12	D11553	3		N2	3	MOT-F2	VE117-VE117
819	24	PK	D00823	51		27-32-12	D11553	3		N2	5	MOT-F2	VF251-VF260 VK181-VK190 VL806-VL810 VL871-VL880 VL931-VL945 VN096-VN110 VN174-VN190 VN657-VN670 VN968-VN970 VR461-VR461 VS061-VS061 VS091-VS094 VS111-VS111 VS131-VS132 VS176-VS177 VS186-VS187 VS206-VS207 VS261-VS262
819	24	PK	D00823	51		27-32-12	D11553	3		N2	2		VA002-VA020 VA501-VA519 VA801-VA810 VB251-VB253 VB301-VB302 VB323-VB324 VE001-VE002 VE021-VE023 VE101-VE103

286T0045-101
Wire Bundle Assembly
Figure 101 (Sheet 304)

25-71-02

WIRE		FROM EQUIPMENT			TO EQUIPMENT			WIRE INFO					
NUMBER	GA	TYP	NUMBER	TERM	TT	WD REF	NUMBER	TERM	TT	EMC/SEP	FT	NOTE	EFFECTIVITY
820	24	PK	D00823	50		27-32-12	D11553	2		N2	3	MOT-F2	VA021-VA300 VA316-VA500 VA520-VA700 VA713-VA800 VA811-VA999 VB003-VB050 VB056-VB100 VB124-VB200 VB203-VB250 VB254-VB280 VB285-VB300 VB303-VB320 VB325-VB370 VB374-VB400 VB402-VB410 VB421-VB999 VE003-VE020 VE024-VE040 VE044-VE060 VE069-VE100 VE104-VE115 VE118-VE180 VF001-VF011 VF021-VF110 VF161-VF180 VK001-VK180 VL001-VL040 VL701-VL790 VL796-VL805 VL891-VL930 VM999-VN095 VN111-VN173 VN191-VN340 VN371-VN656 VM671-VN960 VN966-VN967 VN971-VN990 VR401-VR421 VR421-VR421 VR426-VR427 VR471-VR471 VS051-VS052 VS066-VS070 VS073-VS073 VS196-VS199 VS246-VS248 VS266-VS268
820	24	PK	D00823	50		27-32-12	D11553	2		N2	3	MOT-F2	VA301-VA315
820	24	PK	D00823	50		27-32-12	D11553	2		N2	3	MOT-F2	VB101-VB123 VB371-VB373
820	24	PK	D00823	50		27-32-12	D11553	2		N2	3	MOT-F2	VE117-VE117
820	24	PK	D00823	50		27-32-12	D11553	2		N2	5	MOT-F2	VF251-VF260 VK181-VK190 VL806-VL810 VL871-VL880 VL931-VL945 VN096-VN110 VN174-VN190 VN657-VN670 VN968-VN970 VR461-VR461 VS061-VS061 VS091-VS094 VS111-VS111 VS131-VS132 VS176-VS177 VS186-VS187 VS206-VS207 VS261-VS262
820	24	PK	D00823	50		27-32-12	D11553	2		N2	2		VA002-VA020 VA501-VA519 VA801-VA810 VB251-VB253 VB301-VB302 VB223-VB324 VE001-VE002 VE021-VE023 VE101-VE103

286T0045-101
Wire Bundle Assembly
Figure 101 (Sheet 305)

25-71-02



BOEING
COMPONENT
MAINTENANCE MANUAL

WIRE		FROM EQUIPMENT			TO EQUIPMENT			WIRE INFO		
NUMBER	CA TYP	NUMBER	TERM TT	WD REF	NUMBER	TERM TT	EMC/SEP	FT	NOTE	EFFECTIVITY
821	24 PK	D00823	49	27-32-12	D11553	7	N2	3	MOT-F2	VA021-VA300 VA316-VA500 VA520-VA700 VA713-VA800 VA811-VA999 VB003-VB050 VB056-VB100 VB124-VB200 VB203-VB250 VB254-VB280 VB285-VB300 VB303-VB320 VB325-VB370 VB374-VB400 VB402-VB410 VB421-VB999 VE003-VE020 VE024-VE040 VE044-VE060 VE069-VE100 VE104-VE115 VE118-VE180 VF001-VF011 VF021-VF110 VF161-VF180 VK001-VK180 VL001-VL040 VL701-VL790 VL796-VL805 VL891-VL930 VM999-VN095 VN111-VN173 VN191-VN340 VN371-VN656 VN671-VN960 VN966-VN967 VN971-VN990 VR401-VR401 VR421-VR421 VR426-VR427 VR471-VR471 VS051-VS052 VS066-VS070 VS073-VS073 VS196-VS199 VS246-VS248 VS266-VS268
821	24 PK	D00823	49	27-32-12	D11553	7	N2	3	MOT-F2	VA301-VA315
821	24 PK	D00823	49	27-32-12	D11553	7	N2	3	MOT-F2	VB101-VB123 VB371-VB373
821	24 PK	D00823	49	27-32-12	D11553	7	N2	3	MOT-F2	VE117-VE117
821	24 PK	D00823	49	27-32-12	D11553	7	N2	5	MOT-F2	VF251-VF260 VK181-VK190 VL806-VL810 VL871-VL880 VL931-VL945 VN096-VN110 VN174-VN190 VN657-VN670 VN968-VN970 VR461-VR461 VS061-VS061 VS091-VS094 VS111-VS111 VS131-VS132 VS176-VS177 VS186-VS187 VS206-VS207 VS261-VS262
821	24 PK	D00823	49	27-32-12	D11553	7	N2	2		VA002-VA020 VA501-VA519 VA801-VA810 VB251-VB253 VB301-VB302 VB323-VB324 VE001-VE002 VE021-VE023 VE101-VE103

286T0045-101
Wire Bundle Assembly
Figure 101 (Sheet 306)

25-71-02

WIRE			FROM EQUIPMENT			TO EQUIPMENT			WIRE INFO		
NUMBER	GA	TYP	NUMBER	TERM FT	WD REF	NUMBER	TERM FT	EMC / SEP	FT	NOTE	EFFECTIVITY
822	24	PK	D00823	47	27-32-12	D11553	8	N2	3	MOT-F2	VA021-VA300 VA316-VA500 VA520-VA700 VA713-VA800 VA811-VA999 VB003-VB050 VB056-VB100 VB124-VB200 VB203-VB250 VB254-VB280 VB285-VB300 VB303-VB320 VB325-VB370 VB374-VB400 VB402-VB410 VB421-VB999 VE003-VE020 VE024-VE040 VE044-VE060 VE069-VE100 VE104-VE115 VE118-VE180 VF001-VF011 VF021-VF110 VF161-VF180 VK001-VK180 VL001-VL040 VL701-VL790 VL796-VL805 VL891-VL930 VM999-VN095 VN111-VN173 VN191-VN340 VN371-VN656 VN671-VN960 VN966-VN967 VN971-VN990 VR401-VR401 VR421-VR421 VR426-VR427 VR471-VR471 VS051-VS052 VS066-VS070 VS073-VS073 VS196-VS199 VS246-VS248 VS266-VS268
822	24	PK	D00823	47	27-32-12	D11553	8	N2	3	MOT-F2	VA301-VA315
822	24	PK	D00823	47	27-32-12	D11553	8	N2	3	MOT-F2	VB101-VB123 VB371-VB373
822	24	PK	D00823	47	27-32-12	D11553	8	N2	3	MOT-F2	VE117-VE117
822	24	PK	D00823	47	27-32-12	D11553	8	N2	5	MOT-F2	VF251-VF260 VK181-VK190 VL806-VL810 VL871-VL880 VL931-VL945 VN096-VN110 VN174-VN190 VN657-VN670 VN968-VN970 VR461-VR461 VS061-VS061 VS091-VS094 VS111-VS111 VS131-VS132 VS176-VS177 VS186-VS187 VS206-VS207 VS261-VS262
822	24	PK	D00823	47	27-32-12	D11553	8	N2	2		VA002-VA020 VA501-VA519 VA801-VA810 VB251-VB253 VB301-VB302 VB323-VB324 VE001-VE002 VE021-VE023 VE101-VE103

 286T0045-101
 Wire Bundle Assembly
 Figure 101 (Sheet 307)

25-71-02



BOEING
COMPONENT
MAINTENANCE MANUAL

WIRE			FROM EQUIPMENT			TO EQUIPMENT			WIRE INFO		
NUMBER	GA	TYP	NUMBER	TERM TT	WD REF	NUMBER	TERM TT	EMC/SEP	FT	NOTE	EFFECTIVITY
823	24	PK	D00823	46	27-32-12	D11553	9	N2	3	MOT-F2	VA021-VA300 VA316-VA500 VA520-VA700 VA713-VA800 VA811-VA999 VB003-VB050 VB056-VB100 VB124-VB200 VB203-VB250 VB254-VB280 VB285-VB300 VB303-VB320 VB325-VB370 VB374-VB400 VB402-VB410 VB421-VD999 VE003-VE020 VE024-VE040 VE044-VE060 VE069-VE100 VE104-VE115 VE118-VE180 VF001-VF011 VF021-VF110 VF161-VF180 VK001-VK180 VL001-VL040 VL701-VL790 VL796-VL805 VL891-VL930 VM999-VN095 VN111-VN173 VN191-VN340 VN371-VN656 VN671-VN960 VN966-VN967 VN971-VN990 VR401-VR401 VR421-VR421 VR426-VR427 VR471-VR471 VS051-VS052 VS066-VS070 VS073-VS073 VS196-VS199 VS246-VS248 VS266-VS268
823	24	PK	D00823	46	27-32-12	D11553	9	N2	3	MOT-F2	VA301-VA315
823	24	PK	D00823	46	27-32-12	D11553	9	N2	3	MOT-F2	VB101-VB123 VB371-VB373
823	24	PK	D00823	46	27-32-12	D11553	9	N2	3	MOT-F2	VE117-VE117
823	24	PK	D00823	46	27-32-12	D11553	9	N2	5	MOT-F2	VF251-VF260 VK181-VK190 VL806-VL810 VL871-VL880 VL931-VL945 VN096-VN110 VN174-VN190 VN657-VN670 VN968-VN970 VR461-VR461 VS061-VS061 VS091-VS094 VS111-VS111 VS131-VS132 VS176-VS177 VS186-VS187 VS206-VS207 VS261-VS262
823	24	PK	D00823	46	27-32-12	D11553	9	N2	2		VA002-VA020 VA501-VA519 VA801-VA810 VB251-VB253 VB301-VB302 VB323-VB324 VE001-VE002 VE021-VE023 VE101-VE103

286T0045-101
Wire Bundle Assembly
Figure 101 (Sheet 308)

25-71-02



COMPONENT
MAINTENANCE MANUAL

WIRE		FROM EQUIPMENT			TO EQUIPMENT			WIRE INFO			
NUMBER	GA	TYP	NUMBER	TERM TT	WD REF	NUMBER	TERM TT	EMC / SEP	FT	NOTE	EFFECTIVITY
824	24	PK	D00823	53	27-32-12	D11553	5	N2	3	MOT-F2	VA021-VA300 VA316-VA500 VA520-VA700 VA713-VA800 VA811-VA999 VB003-VB050 VB056-VB100 VB124-VB200 VB203-VB250 VB254-VB280 VB285-VB300 VB303-VB320 VB325-VB370 VB374-VB400 VB402-VB410 VB421-VB999 VE003-VE020 VE024-VE040 VE044-VE060 VE069-VE100 VE104-VE115 VE118-VE180 VF001-VF011 VF021-VF110 VF161-VF180 VK001-VK180 VL001-VL040 VL701-VL790 VL796-VL805 VL891-VL930 VM999-VM095 VM111-VN173 VN191-VN340 VN371-VN656 VN671-VN960 VN966-VN967 VN971-VN990 VR401-VR401 VR421-VR421 VR426-VR427 VR471-VR471 VS051-VS052 VS066-VS070 VS073-VS073 VS196-VS199 VS246-VS248 VS266-VS268
824	24	PK	D00823	53	27-32-12	D11553	5	N2	3	MOT-F2	VA301-VA315
824	24	PK	D00823	53	27-32-12	D11553	5	N2	3	MOT-F2	VE101-VE123 VB371-VB373
824	24	PK	D00823	53	27-32-12	D11553	5	N2	3	MOT-F2	VE117-VE117
824	24	PK	D00823	53	27-32-12	D11553	5	N2	5	MOT-F2	VF251-VF260 VK181-VK190 VL806-VL810 VL871-VL880 VL931-VL945 VM096-VN110 VN174-VN190 VN657-VN670 VN968-VN970 VR461-VR461 VS061-VS061 VS091-VS094 VS111-VS111 VS131-VS132 VS176-VS177 VS186-VS187 VS206-VS207 VS261-VS262
824	24	PK	D00823	53	27-32-12	D11553	5	N2	2		VA002-VA020 VA501-VA519 VA801-VA810 VB251-VB253 VB301-VB302 VB323-VB324 VE001-VE002 VE021-VE023 VE101-VE103

286T0045-101
Wire Bundle Assembly
Figure 101 (Sheet 309)

25-71-02



COMPONENT
MAINTENANCE MANUAL

WIRE			FROM EQUIPMENT			TO EQUIPMENT			WIRE INFO		
NUMBER	GA	TYP	NUMBER	TERM TT	WD REF	NUMBER	TERM TT	EMC/SEP	FT	NOTE	EFFECTIVITY
825	24	PK	D00823	62	27-32-12	D11553	24	N2	3	MOT-F2	VA021-VA300 VA316-VA500 VA520-VA700 VA713-VA800 VA811-VA999 VB003-VB050 VB056-VB100 VB124-VB200 VB203-VB250 VB254-VB280 VB285-VB300 VB303-VB320 VB325-VB370 VB374-VB400 VB402-VB410 VB421-VB999 VE003-VE020 VE024-VE040 VE044-VE060 VE069-VE100 VE104-VE115 VE118-VE180 VF001-VF011 VF021-VF110 VF161-VF180 VK001-VK180 VL001-VL040 VL701-VL790 VL796-VL805 VL891-VL930 VM999-VN095 VN111-VN173 VN191-VN340 VN371-VN656 VN671-VN960 VN966-VN967 VN971-VN990 VR401-VR401 VR421-VR421 VR426-VR427 VR471-VR471 VS051-VS052 VS066-VS070 VS073-VS073 VS196-VS199 VS246-VS248 VS266-VS268
825	24	PK	D00823	62	27-32-12	D11553	24	N2	3	MOT-F2	VA301-VA315
825	24	PK	D00823	62	27-32-12	D11553	24	N2	3	MOT-F2	VB101-VB123 VB371-VB373
825	24	PK	D00823	62	27-32-12	D11553	24	N2	3	MOT-F2	VE117-VE117
825	24	PK	D00823	62	27-32-12	D11553	24	N2	5	MOT-F2	VF251-VF260 VK181-VK190 VL806-VL810 VL871-VL880 VL931-VL945 VN096-VN110 VN174-VN190 VN657-VN670 VN968-VN970 VR461-VR461 VS061-VS061 VS091-VS094 VS111-VS111 VS131-VS132 VS176-VS177 VS186-VS187 VS206-VS207 VS261-VS262
825	24	PK	D00823	62	27-32-12	D11553	24	N2	2		VA002-VA020 VA501-VA519 VA801-VA810 VB251-VB253 VB301-VB302 VB323-VB324 VE001-VE002 VE021-VE023 VE101-VE103

286T0045-101
Wire Bundle Assembly
Figure 101 (Sheet 310)

25-71-02



COMPONENT
MAINTENANCE MANUAL

WIRE			FROM EQUIPMENT			TO EQUIPMENT			WIRE INFO		
NUMBER	GA	TYP	NUMBER	TERM TT	WD REF	NUMBER	TERM TT	EMC / SEP	FT	NOTE	EFFECTIVITY
826	24	PK	D01381	55	27-32-22	D11553	16	N2	3	MOT-F2	VA021-VA300 VA316-VA500 VA520-VA700 VA713-VA800 VA811-VA999 VB003-VB050 VB056-VB100 VB124-VB200 VB203-VB250 VB254-VB280 VB285-VB300 VB303-VB320 VB325-VB370 VB374-VB400 VB402-VB410 VB421-VD999 VE003-VE020 VE024-VE040 VE044-VE060 VE069-VE100 VE104-VE115 VE118-VE180 VF001-VF011 VF021-VF110 VF161-VF180 VK001-VK180 VL001-VL040 VL701-VL790 VL796-VL805 VL891-VL930 VM999-VN095 VN111-VN173 VN191-VN340 VN371-VN656 VN671-VN960 VN966-VN967 VN971-VN990 VR401-VR401 VR421-VR421 VR426-VR427 VR471-VR471 VS051-VS052 VS066-VS070 VS073-VS073 VS196-VS199 VS246-VS248 VS266-VS268
826	24	PK	D01381	55	27-32-22	D11553	16	N2	3	MOT-F2	VA301-VA315
826	24	PK	D01381	55	27-32-22	D11553	16	N2	3	MOT-F2	VB101-VB123 VB371-VB373
826	24	PK	D01381	55	27-32-22	D11553	16	N2	3	MOT-F2	VE117-VE117
826	24	PK	D01381	55	27-32-22	D11553	16	N2	5	MOT-F2	VF251-VF260 VK181-VK190 VL806-VL810 VL871-VL880 VL931-VL945 VN096-VN110 VN174-VN190 VN657-VN670 VN968-VN970 VR461-VR461 VS061-VS061 VS091-VS094 VS111-VS111 VS131-VS132 VS176-VS177 VS186-VS187 VS206-VS207 VS261-VS262
826	24	PK	D01381	55	27-32-22	D11553	16	N2	2		VA002-VA020 VA501-VA519 VA801-VA810 VB251-VB253 VB301-VB302 VB323-VB324 VE001-VE002 VE021-VE023 VE101-VE103

286T0045-101
Wire Bundle Assembly
Figure 101 (Sheet 311)

25-71-02



BOEING
COMPONENT
MAINTENANCE MANUAL

WIRE		FROM EQUIPMENT			TO EQUIPMENT			WIRE INFO		
NUMBER	CA TYP	NUMBER	TERM TT	WD REF	NUMBER	TERM TT	EMC/SEP	FT	NOTE	EFFECTIVITY
827	24 PK	D01381	21	27-32-22	D11553	14	N2	3	MOT-F2	VA021-VA300 VA316-VA500 VA520-VA700 VA713-VA800 VA811-VA999 VB003-VB050 VB056-VB100 VB124-VB200 VB203-VB250 VB254-VB280 VB285-VB300 VB303-VB320 VB325-VB370 VB374-VB400 VB402-VB410 VB421-VB999 VE003-VE020 VE024-VE040 VE044-VE060 VE069-VE100 VE104-VE115 VE118-VE180 VF001-VF011 VF021-VF110 VF161-VF180 VK001-VK180 VL001-VL040 VL701-VL790 VL796-VL805 VL891-VL930 VM999-VN095 VN111-VN173 VN191-VN340 VN371-VN656 VN671-VN960 VN966-VN967 VN971-VN990 VR401-VR401 VR421-VR421 VR426-VR427 VR471-VR471 VS051-VS052 VS066-VS070 VS073-VS073 VS196-VS199 VS246-VS248 VS266-VS268
827	24 PK	D01381	21	27-32-22	D11553	14	N2	3	MOT-F2	VA301-VA315
827	24 PK	D01381	21	27-32-22	D11553	14	N2	3	MOT-F2	VB101-VB123 VB371-VB373
827	24 PK	D01381	21	27-32-22	D11553	14	N2	3	MOT-F2	VE117-VE117
827	24 PK	D01381	21	27-32-22	D11553	14	N2	5	MOT-F2	VF251-VF260 VK181-VK190 VL806-VL810 VL871-VL880 VL931-VL945 VN096-VN110 VN174-VN190 VN657-VN670 VN968-VN970 VR461-VR461 VS061-VS061 VS091-VS094 VS111-VS111 VS131-VS132 VS176-VS177 VS186-VS187 VS206-VS207 VS261-VS262
827	24 PK	D01381	21	27-32-22	D11553	14	N2	2		VA002-VA020 VA501-VA519 VA801-VA810 VB251-VB253 VB301-VB302 VB323-VB324 VE001-VE002 VE021-VE023 VE101-VE103

286T0045-101
Wire Bundle Assembly
Figure 101 (Sheet 312)

25-71-02



COMPONENT
MAINTENANCE MANUAL

WIRE			FROM EQUIPMENT			TO EQUIPMENT			WIRE INFO		
NUMBER	GA	TYP	NUMBER	TERM TT	WD REF	NUMBER	TERM TT	EMC / SEP	FT	NOTE	EFFECTIVITY
828	24	PK	D01381	51	27-32-22	D11553	13	N2	3	MOT-F2	VA021-VA300 VA316-VA500 VA520-VA700 VA713-VA800 VA811-VA999 VB003-VB050 VB056-VB100 VB124-VB200 VB203-VB250 VB254-VB280 VB285-VB300 VB303-VB320 VB325-VB370 VB374-VB400 VB402-VB410 VB421-VD999 VE003-VE020 VE024-VE040 VE044-VE060 VE069-VE100 VE104-VE115 VE118-VE180 VF001-VF011 VF021-VF110 VF161-VF180 VK001-VK180 VL001-VL040 VL701-VL790 VL796-VL805 VL891-VL930 VM999-VN095 VN111-VN173 VN191-VN340 VN371-VN656 VN671-VN960 VN966-VN967 VN971-VN990 VR401-VR401 VR421-VR421 VR426-VR427 VR471-VR471 VS051-VS052 VS066-VS070 VS073-VS073 VS196-VS199 VS246-VS248 VS266-VS268
828	24	PK	D01381	51	27-32-22	D11553	13	N2	3	MOT-F2	VA301-VA315
828	24	PK	D01381	51	27-32-22	D11553	13	N2	3	MOT-F2	VB101-VB123 VB371-VB373
828	24	PK	D01381	51	27-32-22	D11553	13	N2	3	MOT-F2	VE117-VE117
828	24	PK	D01381	51	27-32-22	D11553	13	N2	5	MOT-F2	VF251-VF260 VK181-VK190 VL806-VL810 VL871-VL880 VL931-VL945 VN096-VN110 VN174-VN190 VN657-VN670 VN968-VN970 VR461-VR461 VS061-VS061 VS091-VS094 VS111-VS111 VS131-VS132 VS176-VS177 VS186-VS187 VS206-VS207 VS261-VS262
828	24	PK	D01381	51	27-32-22	D11553	13	N2	2		VA002-VA020 VA501-VA519 VA801-VA810 VB251-VB253 VB301-VB302 VB323-VB324 VE001-VE002 VE021-VE023 VE101-VE103

286T0045-101
Wire Bundle Assembly
Figure 101 (Sheet 313)

25-71-02



BOEING
COMPONENT
MAINTENANCE MANUAL

WIRE		FROM EQUIPMENT		TO EQUIPMENT		WIRE INFO					
NUMBER	GA	TYP	NUMBER	TERM TT	WD REF	NUMBER	TERM TT	EMC/SEP	FT	NOTE	EFFECTIVITY
829	24	PK	D01381	50	27-32-22	D11553	12	N2	3	MOT-F2	VA021-VA300 VA316-VA500 VA520-VA700 VA713-VA800 VA811-VA999 VB003-VB050 VB056-VB100 VB124-VB200 VB203-VB250 VB254-VB280 VB285-VB300 VB303-VB320 VB325-VB370 VB374-VB400 VB402-VB410 VB421-VB499 VE003-VE020 VE024-VE040 VE044-VE060 VE069-VE100 VE104-VE115 VE118-VE180 VF001-VF011 VF021-VF110 VF161-VF180 VK001-VK180 VL001-VL040 VL701-VL790 VL796-VL805 VL891-VL930 VM999-VN095 VN111-VN173 VN191-VN340 VN371-VN656 VN671-VN960 VN966-VN967 VN971-VN990 VR401-VR401 VR421-VR421 VR426-VR427 VR471-VR471 VS051-VS052 VS066-VS070 VS073-VS073 VS196-VS199 VS246-VS248 VS266-VS268
829	24	PK	D01381	50	27-32-22	D11553	12	N2	3	MOT-F2	VA301-VA315
829	24	PK	D01381	50	27-32-22	D11553	12	N2	3	MOT-F2	VB101-VB123 VB371-VB373
829	24	PK	D01381	50	27-32-22	D11553	12	N2	3	MOT-F2	VE117-VE117
829	24	PK	D01381	50	27-32-22	D11553	12	N2	5	MOT-F2	VF251-VF260 VK181-VK190 VL806-VL810 VL871-VL880 VL931-VL945 VN096-VN110 VN174-VN190 VN657-VN670 VN968-VN970 VR461-VR461 VS061-VS061 VS091-VS094 VS111-VS111 VS131-VS132 VS176-VS177 VS186-VS187 VS206-VS207 VS261-VS262
829	24	PK	D01381	50	27-32-22	D11553	12	N2	2		VA002-VA020 VA501-VA519 VA801-VA810 VB251-VB253 VB301-VB302 VB323-VB324 VE001-VE002 VE021-VE023 VE101-VE103

286T0045-101
Wire Bundle Assembly
Figure 101 (Sheet 314)

25-71-02



COMPONENT
MAINTENANCE MANUAL

WIRE		FROM EQUIPMENT			TO EQUIPMENT			WIRE INFO		
NUMBER	GA TYP	NUMBER	TERM TT	WD REF	NUMBER	TERM TT	EMC / SEP	FT	NOTE	EFFECTIVITY
830	24 PK	D01381	49	27-32-22	D11553	17	N2	3	MOT-F2	VA021-VA300 VA316-VA500 VA520-VA700 VA713-VA800 VA811-VA999 VB003-VB050 VB056-VB100 VB124-VB200 VB203-VB250 VB254-VB280 VB285-VB300 VB303-VB320 VB325-VB370 VB374-VB400 VB402-VB410 VB421-VB999 VE003-VE020 VE024-VE040 VE044-VE060 VE069-VE100 VE104-VE115 VE118-VE180 VF001-VF011 VF021-VF110 VF161-VF180 VK001-VK180 VL001-VL040 VL701-VL790 VL796-VL805 VL891-VL930 VM999-VM095 VM111-VN173 VN191-VN340 VN371-VN656 VN671-VN960 VN966-VN967 VN971-VN990 VR401-VR401 VR421-VR421 VR426-VR427 VR471-VR471 VS051-VS052 VS066-VS070 VS073-VS073 VS196-VS199 VS246-VS248 VS266-VS268
830	24 PK	D01381	49	27-32-22	D11553	17	N2	3	MOT-F2	VA301-VA315
830	24 PK	D01381	49	27-32-22	D11553	17	N2	3	MOT-F2	VB101-VB123 VB371-VB373
830	24 PK	D01381	49	27-32-22	D11553	17	N2	3	MOT-F2	VE117-VE117
830	24 PK	D01381	49	27-32-22	D11553	17	N2	5	MOT-F2	VF251-VF260 VK181-VK190 VL806-VL810 VL871-VL880 VL931-VL945 VM096-VN110 VN174-VN190 VN657-VN670 VN968-VN970 VR461-VR461 VS061-VS061 VS091-VS094 VS111-VS111 VS131-VS132 VS176-VS177 VS186-VS187 VS206-VS207 VS261-VS262
830	24 PK	D01381	49	27-32-22	D11553	17	N2	2		VA002-VA020 VA501-VA519 VA801-VA810 VB251-VB253 VB301-VB302 VB323-VB324 VE001-VE002 VE021-VE023 VE101-VE103

286T0045-101
Wire Bundle Assembly
Figure 101 (Sheet 315)

25-71-02



BOEING
COMPONENT
MAINTENANCE MANUAL

WIRE		FROM EQUIPMENT			TO EQUIPMENT			WIRE INFO					
NUMBER	GA	TYP	NUMBER	TERM	TT	WD REF	NUMBER	TERM	TT	EMC/SEP	FT	NOTE	EFFECTIVITY
831	24	PK	D01381	47		27-32-22	D11553	18		N2	3	MOT-F2	VA021-VA300 VA316-VA500 VA520-VA700 VA713-VA800 VA811-VA999 VB003-VB050 VB056-VB100 VB124-VB200 VB203-VB250 VB254-VB280 VB285-VB300 VB303-VB320 VB325-VB370 VB374-VB400 VB402-VB410 VB421-VB499 VE003-VE020 VE024-VE040 VE044-VE060 VE069-VE100 VE104-VE115 VE118-VE180 VF001-VF011 VF021-VF110 VF161-VF180 VK001-VK180 VL001-VL040 VL701-VL790 VL796-VL805 VL891-VL930 VM999-VN095 VN111-VN173 VN191-VN340 VN371-VN656 VN671-VN960 VN966-VN967 VN971-VN990 VR401-VR401 VR421-VR421 VR426-VR427 VR471-VR471 VS051-VS052 VS066-VS070 VS073-VS073 VS196-VS199 VS246-VS248 VS266-VS268
831	24	PK	D01381	47		27-32-22	D11553	18		N2	3		VA301-VA315
831	24	PK	D01381	47		27-32-22	D11553	18		N2	3	MOT-F2	VB101-VB123 VB371-VB373
831	24	PK	D01381	47		27-32-22	D11553	18		N2	3	MOT-F2	VE117-VE117
831	24	PK	D01381	47		27-32-22	D11553	18		N2	5	MOT-F2	VF251-VF260 VK181-VK190 VL806-VL810 VL871-VL880 VL931-VL945 VN096-VN110 VN174-VN190 VN657-VN670 VN968-VN970 VR461-VR461 VS061-VS061 VS091-VS094 VS111-VS111 VS131-VS132 VS176-VS177 VS186-VS187 VS206-VS207 VS261-VS262
831	24	PK	D01381	47		27-32-22	D11553	18		N2	2		VA002-VA020 VA501-VA519 VA801-VA810 VB251-VB253 VB301-VB302 VB323-VB324 VE001-VE002 VE021-VE023 VE101-VE103

286T0045-101
Wire Bundle Assembly
Figure 101 (Sheet 316)

25-71-02

WIRE		FROM EQUIPMENT			TO EQUIPMENT			WIRE INFO			
NUMBER	GA	TYP	NUMBER	TERM TT	WD REF	NUMBER	TERM TT	EMC/SEP	FT	NOTE	EFFECTIVITY
832	24	PK	D01381	46	27-32-22	D11553	19	N2	3	MOT-F2	VA021-VA300 VA316-VA500 VA520-VA700 VA713-VA800 VA811-VA999 VB003-VB050 VB056-VB100 VB124-VB200 VB203-VB250 VB254-VB280 VB285-VB300 VB303-VB320 VB325-VB370 VB374-VB400 VB402-VB410 VB421-VD999 VE003-VE020 VE024-VE040 VE044-VE060 VE069-VE100 VE104-VE115 VE118-VE180 VF001-VF011 VF021-VF110 VF161-VF180 VK001-VK180 VL001-VL040 VL701-VL790 VL796-VL805 VL891-VL930 VM999-VN095 VN111-VN173 VN191-VN340 VN371-VN656 VN671-VN960 VN966-VN967 VN971-VN990 VR401-VR401 VR421-VR421 VR426-VR427 VR471-VR471 VS051-VS052 VS066-VS070 VS073-VS073 VS196-VS199 VS246-VS248 VS266-VS268
832	24	PK	D01381	46	27-32-22	D11553	19	N2	3	MOT-F2	VA301-VA315
832	24	PK	D01381	46	27-32-22	D11553	19	N2	3	MOT-F2	VB101-VB123 VB371-VB373
832	24	PK	D01381	46	27-32-22	D11553	19	N2	3	MOT-F2	VE117-VE117
832	24	PK	D01381	46	27-32-22	D11553	19	N2	5	MOT-F2	VF251-VF260 VK181-VK190 VL806-VL810 VL871-VL880 VL931-VL945 VN096-VN110 VN174-VN190 VN657-VN670 VN968-VN970 VR461-VR461 VS061-VS061 VS091-VS094 VS111-VS111 VS131-VS132 VS176-VS177 VS186-VS187 VS206-VS207 VS261-VS262
832	24	PK	D01381	46	27-32-22	D11553	19	N2	2		VA002-VA020 VA501-VA519 VA801-VA810 VB251-VB253 VB301-VB302 VB323-VB324 VE001-VE002 VE021-VE023 VE101-VE103

 286T0045-101
 Wire Bundle Assembly
 Figure 101 (Sheet 317)

25-71-02

 TESTING & TROUBLE SHOOTING
 01

 Page 132B
 Nov 01/02



BOEING
COMPONENT
MAINTENANCE MANUAL

WIRE		FROM EQUIPMENT		TO EQUIPMENT		WIRE INFO				
NUMBER	GA TYP	NUMBER	TERM TT	WD REF	NUMBER	TERM TT	EMC/SEP	FT	NOTE	EFFECTIVITY
833	24 PK	D01381	53	27-32-22	D11553	15	N2	3	MOT-F2	VA021-VA300 VA316-VA500 VA520-VA700 VA713-VA800 VA811-VA999 VB003-VB050 VB056-VB100 VB124-VB200 VB203-VB250 VB254-VB280 VB285-VB300 VB303-VB320 VB325-VB370 VB374-VB400 VB402-VB410 VB421-VB999 VE003-VE020 VE024-VE040 VE044-VE060 VE069-VE100 VE104-VE115 VE118-VE180 VF001-VF011 VF021-VF110 VF161-VF180 VK001-VK180 VL001-VL040 VL701-VL790 VL796-VL805 VL891-VL930 VM999-VN095 VN111-VN173 VN191-VN340 VN371-VN656 VN671-VN960 VN966-VN967 VN971-VN990 VR401-VR401 VR421-VR421 VR426-VR427 VR471-VR471 VS051-VS052 VS066-VS070 VS073-VS073 VS196-VS199 VS246-VS248 VS266-VS268
833	24 PK	D01381	53	27-32-22	D11553	15	N2	3	MOT-F2	VA301-VA315
833	24 PK	D01381	53	27-32-22	D11553	15	N2	3	MOT-F2	VB101-VB123 VB371-VB373
833	24 PK	D01381	53	27-32-22	D11553	15	N2	3	MOT-F2	VE117-VE117
833	24 PK	D01381	53	27-32-22	D11553	15	N2	5	MOT-F2	VF251-VF260 VK181-VK190 VL806-VL810 VL871-VL880 VL931-VL945 VN096-VN110 VN174-VN190 VN657-VN670 VN968-VN970 VR461-VR461 VS061-VS061 VS091-VS094 VS111-VS111 VS131-VS132 VS176-VS177 VS186-VS187 VS206-VS207 VS261-VS262
833	24 PK	D01381	53	27-32-22	D11553	15	N2	2		VA002-VA020 VA501-VA519 VA801-VA810 VB251-VB253 VB301-VB302 VB323-VB324 VE001-VE002 VE021-VE023 VE101-VE103

286T0045-101
Wire Bundle Assembly
Figure 101 (Sheet 318)

25-71-02



COMPONENT
MAINTENANCE MANUAL

WIRE		FROM EQUIPMENT		TO EQUIPMENT		WIRE INFO				
NUMBER	GA	TYP	NUMBER	TERM	WD REF	NUMBER	TERM	FT	NOTE	EFFECTIVITY
834	24	PK	D01381	62	27-32-22	D11553	34	3	MOT-F2	VA021-VA300 VA316-VA500 VA520-VA700 VA713-VA800 VA811-VA999 VB003-VB050 VB056-VB100 VB124-VB200 VB203-VB250 VB254-VB280 VB285-VB300 VB303-VB320 VB325-VB370 VB374-VB400 VB402-VB410 VB421-VD999 VE003-VE020 VE024-VE040 VE044-VE060 VE069-VE100 VE104-VE115 VE118-VE180 VF001-VF011 VF021-VF110 VF161-VF180 VK001-VK180 VL001-VL040 VL701-VL790 VL796-VL805 VL891-VL930 VM999-VN095 VNI11-VNI173 VN191-VN340 VN371-VN656 VN671-VN960 VNS66-VNS67 VN971-VN990 VR401-VR401 VR421-VR421 VR426-VR427 VR471-VR471 VS051-VS052 VS066-VS070 VS073-VS073 VS196-VS199 VS246-VS248 VS266-VS268
834	24	PK	D01381	62	27-32-22	D11553	34	3	MOT-F2	VA301-VA315
834	24	PK	D01381	62	27-32-22	D11553	34	3	MOT-F2	VB101-VB123 VB371-VB373
834	24	PK	D01381	62	27-32-22	D11553	34	3	MOT-F2	VE117-VE117
834	24	PK	D01381	62	27-32-22	D11553	34	5	MOT-F2	VF251-VF260 VK181-VK190 VL806-VL810 VL871-VL880 VL931-VL945 VN096-VN110 VN174-VN190 VNS67-VNS67 VNS68-VNS970 VR461-VR461 VS061-VS061 VS091-VS094 VS111-VS111 VS131-VS132 VS176-VS177 VS186-VS187 VS206-VS207 VS261-VS262
834	24	PK	D01381	62	27-32-22	D11553	34	2		VA002-VA020 VA501-VA519 VA801-VA810 VB301-VB302 VE021-VE023 VE101-VE103

286T0045-101
Wire Bundle Assembly
Figure 101 (Sheet 319)

25-71-02

TESTING & TROUBLE SHOOTING
01

Page 132D
Nov 01/02



BOEING
COMPONENT
MAINTENANCE MANUAL

WIRE			FROM EQUIPMENT			TO EQUIPMENT			WIRE INFO				
NUMBER	GA	TYP	NUMBER	TERM	TT	WD REF	NUMBER	TERM	TT	EMC / SEP	FT	NOTE	EFFECTIVITY
835	24	PK	D04349J	50		27-32-21	D01381	64		N2	3	MLA-F2	VA021-VA300 VA316-VA500 VA520-VA700 VA713-VA800 VA811-VA999 VB003-VB050 VB056-VB100 VB124-VB200 VB203-VB250 VB254-VB280 VB285-VB300 VB303-VB320 VB325-VB370 VB374-VB400 VB402-VB410 VB421-VB599 VE003-VE020 VE024-VE040 VE044-VE060 VE069-VE100 VE104-VE115 VE118-VE180 VF001-VF011 VF021-VF110 VF161-VF180 VK001-VK180 VL001-VL040 VL701-VL790 VL796-VL805 VL891-VL930 VM999-VN095 VN111-VN173 VN191-VN340 VN371-VNG56 VN671-VN960 VN966-VN967 VN971-VN990 VR401-VR401 VR421-VR421 VR426-VR427 VR471-VR471 VS051-VS052 VS066-VS070 VS073-VS073 VS196-VS199 VS246-VS248 VS266-VS268
835	24	PK	D04349J	50		27-32-21	D01381	64		N2	3		VA301-VA315 VB101-VB123 VB371-VB373
835	24	PK	D04349J	50		27-32-21	D01381	64		N2	3	MLA-F2	VB251-VB253 VB323-VB324 VE001-VE002
835	24	PK	D04349J	50		27-32-21	D01381	64		N2	3	MLA-F2	VE117-VE117
835	24	PK	D04349J	50		27-32-21	D01381	64		N2	5	MLA-F2	VF251-VF260 VK181-VK190 VL806-VL810 VL871-VL880 VL931-VL945 VN096-VN110 VN174-VN190 VN657-VN670 VN968-VN970 VR461-VR461 VS061-VS061 VS091-VS094 VS111-VS111 VS131-VS132 VS176-VS177 VS186-VS187 VS206-VS207 VS261-VS262
835	24	PK	D04349J	50		27-32-21	D01381	64		N2	2		VA002-VA020 VA501-VA519 VA801-VA810 VB301-VB302 VE021-VE023 VE101-VE103

286T0045-101
Wire Bundle Assembly
Figure 101 (Sheet 320)

25-71-02

WIRE		FROM EQUIPMENT			TO EQUIPMENT			WIRE INFO			
NUMBER	GA	TYP	NUMBER	TERM TT	WD REF	NUMBER	TERM TT	EMC/SEP	FT	NOTE	EFFECTIVITY
836	20	PA	D04349J	53	27-32-21	GDX0002	S..	2	3	MLA-F2	VA021-VA300 VA316-VA500 VA520-VA700 VA713-VA800 VA811-VA999 VB003-VB050 VB056-VB100 VB124-VB200 VB203-VB250 VB254-VB280 VB285-VB300 VB303-VB320 VB325-VB370 VB374-VB400 VB402-VB410 VB421-VD999 VE003-VE020 VE024-VE040 VE044-VE060 VE069-VE100 VE104-VE115 VE118-VE180 VF001-VF011 VF021-VF110 VF161-VF180 VK001-VK180 VL001-VL040 VL701-VL790 VL796-VL805 VL891-VL930 VM999-VN095 VNI11-VN173 VN191-VN340 VN371-VN656 VN671-VN960 VN966-VN967 VN971-VN990 VR401-VR401 VR421-VR421 VR426-VR427 VR471-VR471 VS051-VS052 VS066-VS070 VS073-VS073 VS196-VS199 VS246-VS248 VS266-VS268
836	20	PA	D04349J	53	27-32-21	GDX0002	S..	2	3	MLA-T2	VA301-VA315 VB101-VB123 VB371-VB373
836	20	PA	D04349J	53	27-32-21	GDX0002	S..	2	3	MLA-F2	VB251-VB253 VB323-VB324 VE001-VE002
836	20	PA	D04349J	53	27-32-21	GDX0002	S..	2	3	MLA-F2	VE117-VE117
836	20	PA	D04349J	53	27-32-21	GDX0002	S..	2	5	MLA-F2	VF251-VF250 VK181-VK190 VL806-VL810 VL871-VL880 VL931-VL945 VN096-VN110 VN174-VN190 VN657-VN670 VN968-VN970 VR461-VR461 VS061-VS061 VS091-VS094 VS111-VS111 VS131-VS132 VS176-VS177 VS186-VS187 VS206-VS207 VS261-VS262
836	20	PA	D04349J	53	27-32-21	GDX0002	S..	2	2		VK007-VK020 VK055-VK180 VL001-VL040 VL701-VL790 VL796-VL805 VL891-VL930 VM999-VN095 VNI11-VN173 VN191-VN340 VN371-VN656 VN671-VN960 VN966-VN967 VN971-VN990 VR401-VR401 VR421-VR421 VR426-VR427 VR471-VR471 VS051-VS052 VS066-VS070 VS073-VS073 VS196-VS199 VS246-VS248 VS266-VS268

286T0045-101
Wire Bundle Assembly
Figure 101 (Sheet 321)

25-71-02



BOEING
COMPONENT
MAINTENANCE MANUAL

WIRE		FROM EQUIPMENT			TO EQUIPMENT			WIRE INFO			
NUMBER	GA	TYP	NUMBER	TERM TT	WD REF	NUMBER	TERM TT	EMC/SEP	FT	NOTE	EFFECTIVITY
837	24	PK	D00823	42	27-32-12	SM00082	W	N2	2		VK181-VK190 VL806-VL810 VL871-VL880 VL931-VL945 VN096-VN110 VN174-VN190 VN657-VN670 VN968-VN970 VR461-VR461 VS061-VS061 VS091-VS094 VS111-VS111 VS131-VS132 VS176-VS177 VS186-VS187 VS206-VS207 VS261-VS262
837	24	PK	D00823	42	27-32-12	SM00082	W	N2	1		VK007-VK020 VK055-VK180 VL001-VL040 VL701-VL790 VL796-VL805 VL891-VL930 VM999-VN095 VN111-VN173 VN191-VN340 VN371-VN656 VN671-VN960 VN966-VN967 VN971-VN990 VR401-VR401 VR421-VR421 VR426-VR427 VR471-VR471 VS051-VS052 VS066-VS070 VS073-VS073 VS196-VS199 VS246-VS248 VS266-VS268
838	24	PK	D01381	42	27-32-22	SM00085	W	N2	2		VK181-VK190 VL806-VL810 VL871-VL880 VL931-VL945 VN096-VN110 VN174-VN190 VN657-VN670 VN968-VN970 VR461-VR461 VS061-VS061 VS091-VS094 VS111-VS111 VS131-VS132 VS176-VS177 VS186-VS187 VS206-VS207 VS261-VS262
838	24	PK	D01381	42	27-32-22	SM00085	W	N2	1		VA002-VA020 VA301-VA315 VA501-VA519 VA801-VA810 VB101-VB123 VB251-VB253 VB301-VB302 VB323-VB324 VB371-VB373 VE001-VE002 VE021-VE023 VE101-VE103
839	24	PK	D00823	9	27-32-12	SM00082	W	N2	2	MOT-F2	VA021-VA300 VA316-VA500 VA520-VA700 VA713-VA800 VA811-VA999 VB003-VB050 VB056-VB100 VB124-VB200 VB203-VB250 VB254-VB280 VB285-VB300 VB303-VB320 VB325-VB370 VB374-VB400 VB402-VB410 VB421-VD999 VE003-VE020 VE024-VE040 VE044-VE060 VE069-VE100 VE104-VE115 VE118-VE180 VF001-VF011 VF021-VF060 VF063-VF110 VF161-VF180
839	24	PK	D00823	9	27-32-12	SM00082	W	N2	2		VE117-VE117
839	24	PK	D00823	9	27-32-12	SM00082	W	N2	5	MOT-F2	VF061-VF062
839	24	PK	D00823	9	27-32-12	SM00082	W	N2	2	MZR-T2	VF251-VF260

286T0045-101
Wire Bundle Assembly
Figure 101 (Sheet 322)

25-71-02

TESTING & TROUBLE SHOOTING
01

Page 132G
Nov 01/02

WIRE			FROM EQUIPMENT			TO EQUIPMENT			WIRE INFO				
NUMBER	GA	TYP	NUMBER	TERM	TT	WD REF	NUMBER	TERM	TT	EMC/SEP	FT	NOTE	EFFECTIVITY
839	24	PK	D00823	9		27-32-12	SM00082		W	N2	1		VA002-VA020 VA301-VA315 VA501-VA519 VA801-VA810 VB101-VB123 VB251-VB253 VB301-VB302 VB323-VB324 VB371-VB373 VE001-VE002 VE021-VE023 VE101-VE103
840	24	PK	D01381	9		27-32-22	SM00085		W	N2	2	MOT-F2	VA021-VA300 VA316-VA500 VA520-VA700 VA713-VA800 VA811-VA999 VB003-VB050 VB056-VB100 VB124-VB200 VB203-VB250 VB254-VB280 VB285-VB300 VB303-VB320 VB325-VB370 VB374-VB400 VB402-VB410 VB421-VB999 VE003-VE020 VE024-VE040 VE044-VE060 VE069-VE100 VE104-VE115 VE118-VE180 VF001-VF011 VF021-VF060 VF063-VF110 VF161-VF180
840	24	PK	D01381	9		27-32-22	SM00085		W	N2	2		VE117-VE117
840	24	PK	D01381	9		27-32-22	SM00085		W	N2	5	MOT-F2	VF061-VF062
840	24	PK	D01381	9		27-32-22	SM00085		W	N2	2	MZK-F2	VF251-VF260
840	24	PK	D01381	9		27-32-22	SM00085		W	N2	1		VB441-VB450 VE121-VE140 VE171-VE180 VF021-VF040 VF051-VF060 VF071-VF110 VF161-VF180 VK131-VK160 VL011-VL040 VL703-VL703 VL751-VL790 VL796-VL805 VL891-VL910 VN063-VN063 VN081-VN085 VN151-VN170 VN221-VN250 VN371-VN490 VN531-VN650 VN671-VN813 VN951-VN960 VN966-VN967 VN971-VN990 VR426-VR427
842	24	PK	D01381	6		27-32-22	SM00085		W	N2	2		VF061-VF062
842	24	PK	D01381	6		27-32-22	SM00085		W	N2	2	MOT-F2	VF251-VF260 VL806-VL810 VL871-VL880 VL931-VL940 VN968-VN970 VS131-VS132
842	24	PK	D01381	6		27-32-22	SM00085		W	N2	1		VK031-VK056 VN251-VN276 VN301-VN306 VR471-VR471 VS066-VS070 VS073-VS073 VS266-VS268
842	22	PA	D01381	6		27-32-22	SM00085		W	N2	2	ZSZ-B6	VL941-VL945
842	24	PK	D01381	6		27-32-22	SM00085		W	N2	1		VN086-VN099
842	24	PK	D01381	6		27-32-22	SM00085		W	N2	2	ZSZ-B6	VN115-VN117 VNL23-VN123 VN130-VN132
842	24	PK	D01381	6		27-32-22	SM00085		W	N2	2	ZSZ-B6	VN311-VN311
842	22	PA	D01381	6		27-32-22	GDX0006	D..	2	N2	2	ZSZ-B6	VN931-VN931

286T0045-101
Wire Bundle Assembly
Figure 101 (Sheet 323)

25-71-02



BOEING
COMPONENT
MAINTENANCE MANUAL

WIRE			FROM EQUIPMENT			TO EQUIPMENT			WIRE INFO		
NUMBER	GA	TYP	NUMBER	TERM TT	WD REF	NUMBER	TERM TT	EMC/SEP	FT	NOTE	EFFECTIVITY
842	24	PK	D01381	CAP Y	27-32-22	SM00085	W	N2	2		VS186-VS187
842	24	PK	D01381	6	27-32-22	SM00085	W	N2	1		VA301-VA315 VK031-VK056 VN251-VN276 VN301-VN306 VR471-VR471 VS066-VS070 VS073-VS073 VS266-VS268
843	22	PA	D00823	6	27-32-12	SM00082	W	N2	2	ZSZ-B6	VB441-VB450 VE121-VE140 VE171-VE180 VF021-VF040 VF051-VF060 VF071-VF110 VF161-VF180 VK131-VK160 VL011-VL040 VL703-VL703 VL751-VL790 VL796-VL805 VL891-VL910 VN063-VN063 VN081-VN099 VN151-VN170 VN221-VN250 VN371-VN490 VN531-VN650 VN671-VN813 VN951-VN960 VN966-VN967 VN971-VN990 VR426-VR427
843	24	PK	D00823	6	27-32-12	SM00082	W	N2	2		VF061-VF062
843	24	PK	D00823	6	27-32-12	SM00082	W	N2	2	MOT-F2	VF251-VF260 VL806-VL810 VL871-VL880 VL931-VL945 VN968-VN970 VS131-VS132 VS186-VS187
843	24	PK	D00823	6	27-32-12	SM00082	W	N2	1		VN115-VN117 VN123-VN123 VN130-VN132
843	24	PK	D00823	6	27-32-12	SM00082	W	N2	2	ZSZ-B6	VN311-VN311
843	22	PA	D00823	6	27-32-12	GDX0006	D..	N2	2	ZSZ-B6	VN931-VN931
843	24	PK	D00823	CAP Y	27-32-12	SM00082	W	N2	2		VN111-VN150 VN821-VN920 VS246-VS248
844	24	PK	D00823	7	27-32-12	SM00082	W	N2	2		VN111-VN150 VN821-VN920 VS246-VS248
845	24	PK	D01381	7	27-32-22	SM00085	W	N2	2		VA301-VA315
847	24	PK	D04347J	22	31-51-31	SM00042	W	N2	1	MLA-F2	VB124-VB125 VE121-VE122
847	24	PK	D04347J	22	31-51-31	SM00042	W	N2	3		VA301-VA315
848	20	PA	D04347J	23	31-51-31	GDX0004	D..	N2	1	MLA-F2	VB124-VB125 VE121-VE122
848	20	PA	D04347J	23	31-51-31	GDX0004	D..	N2	3		VB329-VB370 VB441-VB450 VE086-VE100 VE171-VE180 VF051-VF110 VF161-VF170 VK046-VK080 VK090-VK130 VK141-VK180 VL012-VL040 VL701-VL790 VL796-VL805 VL891-VL930 VM999-VM999 VN055-VN080 VN086-VN095 VN111-VN173 VN191-VN300 VN371-VN656 VN671-VN960 VN966-VN967 VN971-VN990 VR401-VR401 VR421-VR421 VR426-VR427 VR471-VR471 VS051-VS052 VS066-VS070 VS073-VS073 VS246-VS248 VS266-VS268

286T0045-101
Wire Bundle Assembly
Figure 101 (Sheet 324)

25-71-02

WIRE			FROM EQUIPMENT				TO EQUIPMENT				WIRE INFO			
NUMBER	GA	TYP	NUMBER	TERM TT	WD REF	NUMBER	TERM TT	EMC / SEP	FT	NOTE			EFFECTIVITY	
862	22	PA	D02261	30	31-41-35	GDX0006	S..	2	N2	4			VE118-VE120 VK012-VK020 VK131-VK140 VN016-VN050 VN301-VN340 VS196-VS199 VE147-VE170 VF171-VF180 VF251-VF260	
862	22	PA	D02261	30	31-41-35	GDX0006	S..	2	N2	3			VK181-VK190 VL806-VL810 VL871-VL880 VL931-VL945 VN096-VN110 VN174-VN190 VN657-VN670 VN968-VN970 VR461-VR461 VS061-VS061 VS091-VS094 VS111-VS111 VS131-VS132 VS176-VS177 VS186-VS187 VS206-VS207 VS261-VS262	
862	22	PA	D02261	30	31-41-35	GDX0006	S..	2	N2	1			VB329-VB370 VB441-VB450 VE086-VE100 VE171-VE180 VF051-VF110 VF161-VF170 VK046-VK080 VK090-VK130 VK141-VK180 VL012-VL040 VL701-VL790 VL796-VL805 VL891-VL930 VM999-VM999 VN055-VN080 VN086-VN095 VN111-VN173 VN191-VN300 VN371-VN656 VN671-VN960 VN966-VN967 VN971-VN990 VR401-VR401 VR421-VR421 VR426-VR427 VR471-VR471 VS051-VS052 VS066-VS070 VS073-VS073 VS246-VS248 VS266-VS268	
863	22	PA	D02261	32	31-41-35	GDX0006	S..	2	N2	4			VE118-VE120 VK012-VK020 VK131-VK140 VN016-VN050 VN301-VN340 VS196-VS199 VE147-VE170 VF171-VF180 VF251-VF260	
863	22	PA	D02261	32	31-41-35	GDX0006	S..	2	N2	3			VK181-VK190 VL806-VL810 VL871-VL880 VL931-VL945 VN096-VN110 VN174-VN190 VN657-VN670 VN968-VN970 VR461-VR461 VS061-VS061 VS091-VS094 VS111-VS111 VS131-VS132 VS176-VS177 VS186-VS187 VS206-VS207 VS261-VS262	
863	22	PA	D02261	32	31-41-35	GDX0006	S..	2	N2	3				
863	22	PA	D02261	32	31-41-35	GDX0006	S..	2	N2	1				

286T0045-101
Wire Bundle Assembly
Figure 101 (Sheet 325)

25-71-02



BOEING
COMPONENT
MAINTENANCE MANUAL

WIRE		FROM EQUIPMENT			TO EQUIPMENT			WIRE INFO		
NUMBER	GA TYP	NUMBER	TERM TT	WD REF	NUMBER	TERM TT	EMC / SEP	FT	NOTE	EFFECTIVITY
863	22 PA	D02261	32	31-41-35	GDX0006	S.. 2	N2	1		VB329-VB370 VB441-VB450 VE086-VE100 VE171-VE180 VF051-VF110 VF161-VF170 VK046-VK080 VK090-VK130 VK141-VK180 VL012-VL040 VL701-VL790 VL796-VL805 VL891-VL930 VM999-VM999 VM055-VM080 VM086-VM095 VN111-VN173 VN191-VN300 VN371-VN656 VN671-VN960 VN966-VN967 VN971-VN990 VR401-VR401 VR421-VR421 VR426-VR427 VR471-VR471 VS051-VS052 VS066-VS070 VS073-VS073 VS246-VS248 VS266-VS268
864	22 PA	D02261	33	31-41-35	GDX0006	S.. 2	N2	4		VE118-VE120 VK012-VK020 VK131-VK140 VN016-VN050 VN301-VN340 VS196-VS199
864	22 PA	D02261	33	31-41-35	GDX0006	S.. 2	N2	3		VE147-VE170 VF171-VF180
864	22 PA	D02261	33	31-41-35	GDX0006	S.. 2	N2	3		VF251-VF260
864	22 PA	D02261	33	31-41-35	GDX0006	S.. 2	N2	1		VK181-VK190 VL806-VL810 VL871-VL880 VL931-VL945 VN096-VN110 VN174-VN190 VN657-VN670 VN968-VN970 VR461-VR461 VS061-VS061 VS091-VS094 VS111-VS111 VS131-VS132 VS176-VS177 VS186-VS187 VS206-VS207 VS261-VS262
864	22 PA	D02261	33	31-41-35	GDX0006	S.. 2	N2	1		VB329-VB370 VB441-VB450 VE086-VE100 VE171-VE180 VF051-VF110 VF161-VF170 VK046-VK080 VK090-VK130 VK141-VK180 VL012-VL040 VL701-VL790 VL796-VL805 VL891-VL930 VM999-VM999 VM055-VM080 VM086-VM095 VN111-VN173 VN191-VN300 VN371-VN656 VN671-VN960 VN966-VN967 VN971-VN990 VR401-VR401 VR421-VR421 VR426-VR427 VR471-VR471 VS051-VS052 VS066-VS070 VS073-VS073 VS246-VS248 VS266-VS268
865	22 PA	D02261	64	31-41-35	GDX0006	S.. 2	N2	4		VE118-VE120 VK012-VK020 VK131-VK140 VN016-VN050 VN301-VN340 VS196-VS199
865	22 PA	D02261	64	31-41-35	GDX0006	S.. 2	N2	3		VE147-VE170 VF171-VF180
865	22 PA	D02261	64	31-41-35	GDX0006	S.. 2	N2	3		VF251-VF260

286T0045-101
Wire Bundle Assembly
Figure 101 (Sheet 326)

25-71-02

WIRE			FROM EQUIPMENT			TO EQUIPMENT			WIRE INFO		
NUMBER	GA	TYP	NUMBER	TERM TT	WD REF	NUMBER	TERM TT	EMC / SEP	FT	NOTE	EFFECTIVITY
865	22	PA	D02261	64	31-41-35	GDX0006	S.. 2	N2	1		VK181-VK190 VL806-VL810 VL871-VL880 VL931-VL945 VN096-VN110 VN174-VN190 VN657-VN670 VN968-VN970 VR461-VR461 VS061-VS061 VS091-VS094 VS111-VS111 VS131-VS132 VS176-VS177 VS186-VS187 VS206-VS207 VS261-VS262
865	22	PA	D02261	64	31-41-35	GDX0006	S.. 2	N2	1		VB329-VB370 VB441-VB450 VE086-VE100 VE118-VE120 VE171-VE180 VF051-VF110 VF161-VF170 VK046-VK080 VK090-VK130 VK141-VK180 VL012-VL040 VL701-VL790 VL796-VL805 VL891-VL930 VM999-VM999 VN055-VN080 VN086-VN095 VN111-VN173 VN191-VN300 VN371-VN656 VN671-VN960 VN966-VN967 VN971-VN990 VR401-VR401 VR421-VR421 VR426-VR427 VR471-VR471 VS051-VS052 VS066-VS070 VS073-VS073 VS246-VS248 VS266-VS268
866	24	PV	D02261	27	31-51-11	SM00018	W	N2	3		VE147-VE170 VF171-VF180 VK012-VK020 VK131-VK140 VN016-VN050 VN301-VN340 VS196-VS199
866	24	PV	D02261	27	31-51-11	SM00018	W	N2	2		VF251-VF260 VK181-VK190 VL806-VL810 VL871-VL880 VL931-VL945 VN096-VN110 VN174-VN190 VN657-VN670 VN968-VN970 VR461-VR461 VS061-VS061 VS091-VS094 VS111-VS111 VS131-VS132 VS176-VS177 VS186-VS187 VS206-VS207 VS261-VS262

 286T0045-101
 Wire Bundle Assembly
 Figure 101 (Sheet 327)

25-71-02

 TESTING & TROUBLE SHOOTING
 01 Page 132L
 Nov 01/02



BOEING
COMPONENT
MAINTENANCE MANUAL

WIRE		FROM EQUIPMENT			TO EQUIPMENT			WIRE INFO		
NUMBER	GA TYP	NUMBER	TERM TT	WD REF	NUMBER	TERM TT	EMC / SEP	FT	NOTE	EFFECTIVITY
866	24 PV	D02261	27	31-51-11	SM00018	W	N2	1		VB329-VB370 VB441-VB450 VE086-VE100 VE118-VE120 VE147-VE180 VF051-VF110 VF161-VF180 VF251-VF260 VK012-VK020 VK046-VK080 VK090-VK190 VL012-VL040 VL701-VL790 VL796-VL810 VL871-VL880 VL891-VL945 VM999-VM999 VN016-VN050 VN055-VN080 VN086-VN340 VN371-VN960 VN966-VN990 VR401-VR401 VR421-VR421 VR426-VR427 VR461-VR461 VR471-VR471 VS051-VS052 VS061-VS061 VS066-VS070 VS073-VS073 VS091-VS094 VS111-VS111 VS131-VS132 VS176-VS177 VS186-VS187 VS196-VS199 VS206-VS207 VS246-VS248 VS261-VS262 VS266-VS268
866Z		D02261	DED	31-51-11	SM00018 REF		N2			VB329-VB370 VB441-VB450 VE086-VE100 VE118-VE120 VE171-VE180 VF051-VF110 VF161-VF170 VK046-VK080 VK090-VK130 VK141-VK180 VL012-VL040 VL701-VL790 VL796-VL805 VL891-VL930 VM999-VM999 VN055-VN080 VN086-VN095 VN111-VN173 VN191-VN300 VN371-VN656 VN671-VN960 VN966-VN967 VN971-VN990 VR401-VR401 VR421-VR421 VR426-VR427 VR471-VR471 VS051-VS052 VS066-VS070 VS073-VS073 VS246-VS248 VS266-VS268
867	24 PV	D02261	28	31-51-11	SM00047	W	N2	3		VE147-VE170 VF171-VF180 VK012-VK020 VK131-VK140 VN016-VN050 VN301-VN340 VS196-VS199
867	24 PV	D02261	28	31-51-11	SM00047	W	N2	2		VF251-VF260 VK181-VK190 VL806-VL810 VL871-VL880 VL931-VL945 VN096-VN110 VN174-VN190 VM657-VN670 VN968-VN970 VR461-VR461 VS061-VS061 VS091-VS094 VS111-VS111 VS131-VS132 VS176-VS177 VS186-VS187 VS206-VS207 VS261-VS262

286T0045-101
Wire Bundle Assembly
Figure 101 (Sheet 328)

25-71-02

WIRE		FROM EQUIPMENT			TO EQUIPMENT			WIRE INFO			
NUMBER	GA	TYP	NUMBER	TERM TT	WD REF	NUMBER	TERM TT	EMC/SEP	FT	NOTE	EFFECTIVITY
867	24	PV	D02261	28	31-51-11	SM00047		W N2	1		VB329-VB370 VB441-VB450 VE086-VE100 VE118-VE120 VE147-VE180 VF051-VF110 VF161-VF180 VF251-VF260 VK012-VK020 VK046-VK080 VK090-VK190 VL012-VL040 VL701-VL790 VL796-VL810 VL871-VL880 VL891-VL945 VM999-VM999 VM016-VM050 VM055-VM080 VM086-VM340 VN371-VN960 VN966-VM990 VR401-VR401 VR421-VR421 VR426-VR427 VR461-VR461 VR471-VR471 VS051-VS052 VS061-VS061 VS066-VS070 VS073-VS073 VS091-VS094 VS111-VS111 VS131-VS132 VS176-VS177 VS186-VS187 VS196-VS199 VS206-VS207 VS246-VS248 VS261-VS262 VS266-VS268
867Z			D02261	DED	31-51-11	SM00047	REF	N2			VB329-VB370 VB441-VB450 VE086-VE100 VE118-VE120 VE171-VE180 VF051-VF110 VF161-VF170 VK046-VK080 VK090-VK130 VK141-VK180 VL012-VL040 VL701-VL790 VL796-VL805 VL891-VL930 VM999-VM999 VM055-VM080 VN086-VN095 VN111-VN173 VN191-VN300 VN371-VN656 VM671-VN960 VN966-VN967 VN971-VN990 VR401-VR401 VR421-VR421 VR426-VR427 VR471-VR471 VS051-VS052 VS066-VS070 VS073-VS073 VS246-VS248 VS266-VS268
868	24	PV	D02261	29	31-51-12	SM00054		W N2	3		VE147-VE170 VF171-VF180 VK012-VK020 VK131-VK140 VN016-VN050 VN301-VN340 VS196-VS199
868	24	PV	D02261	29	31-51-12	SM00054		W N2	2		VF251-VF260 VK181-VK190 VL806-VL810 VL871-VL880 VL931-VL945 VM096-VN110 VN174-VN190 VN657-VN670 VN968-VN970 VR461-VR461 VS061-VS061 VS091-VS094 VS111-VS111 VS131-VS132 VS176-VS177 VS186-VS187 VS206-VS207 VS261-VS262

286T0045-101
Wire Bundle Assembly
Figure 101 (Sheet 329)

25-71-02



BOEING
COMPONENT
MAINTENANCE MANUAL

WIRE		FROM EQUIPMENT		TO EQUIPMENT		WIRE INFO							
NUMBER	GA	TYP	NUMBER	TERM	TT	WD REF	NUMBER	TERM	TT	EMC/SEP	FT	NOTE	EFFECTIVITY
868	24	PV	D02261	29		31-51-12	SM00054	W	N2	1			VE329-VB370 VB441-VB450 VE086-VE100 VE118-VE120 VE147-VE180 VF051-VF110 VF161-VF180 VF251-VF260 VK012-VK020 VK046-VK080 VK090-VK190 VLO12-VL040 VL701-VL790 VL796-VL810 VL871-VL880 VL891-VL945 VM999-VM999 VN016-VN050 VN055-VN080 VN086-VN340 VN371-VN960 VN966-VN990 VR401-VR401 VR421-VR421 VR426-VR427 VR461-VR461 VR471-VR471 VS051-VS052 VS061-VS061 VS066-VS070 VS073-VS073 VS091-VS094 VS111-VS111 VS131-VS132 VS176-VS177 VS186-VS187 VS196-VS199 VS206-VS207 VS246-VS248 VS261-VS262 VS266-VS268
868Z			D02261	DED		31-51-12	SM00054	REF	N2				VE329-VB370 VB441-VB450 VE086-VE100 VE118-VE120 VE171-VE180 VF051-VF110 VF161-VF170 VK046-VK080 VK090-VK130 VK141-VK180 VLO12-VL040 VL701-VL790 VL796-VL805 VL891-VL930 VM999-VM999 VN055-VN080 VN086-VN095 VN111-VN173 VN191-VN300 VN371-VN656 VN671-VN960 VN966-VN967 VN971-VN990 VR401-VR401 VR421-VR421 VR426-VR427 VR471-VR471 VS051-VS052 VS066-VS070 VS073-VS073 VS246-VS248 VS266-VS268
869	24	PK	D02261	34		31-51-12	SM00025	W	N2	3			VE147-VE170 VF171-VF180 VK012-VK020 VK131-VK140 VN016-VN050 VN301-VN340 VS196-VS199
869	24	PK	D02261	34		31-51-12	SM00025	W	N2	2			VF251-VF260 VK181-VK190 VL806-VL810 VL871-VL880 VL931-VL945 VM096-VN110 VN174-VN190 VN657-VN670 VN968-VN970 VR461-VR461 VS061-VS061 VS091-VS094 VS111-VS111 VS131-VS132 VS176-VS177 VS186-VS187 VS206-VS207 VS261-VS262

286T0045-101
Wire Bundle Assembly
Figure 101 (Sheet 330)

25-71-02

TESTING & TROUBLE SHOOTING
01

Page 1320
Nov 01/02

WIRES		FROM EQUIPMENT			TO EQUIPMENT			WIRE INFO					
NUMBER	GA	TYP	NUMBER	TERM	TT	WD REF	NUMBER	TERM	TT	EMC/SEP	FT	NOTE	EFFECTIVITY
869	24	PK	D02261	34		31-51-12	SM00025		W	N2	1		VB329-VB370 VB441-VB450 VE086-VE100 VE171-VE180 VF051-VF110 VF161-VF170 VK046-VK080 VK090-VK130 VK141-VK180 VL012-VL040 VL701-VL790 VL796-VL805 VL891-VL930 VM999-VM999 VN055-VN080 VN111-VN150 VN171-VN173 VN191-VN300 VN371-VN656 VN671-VN960 VN966-VN967 VN971-VN990 VR401-VR401 VR421-VR421 VR426-VR427 VR471-VR471 VS051-VS052 VS066-VS070 VS073-VS073 VS246-VS248 VS266-VS268
870	22	PA	D02261	56		31-51-12	GDX0001	S..	2	N2	4		VE118-VE120 VK012-VK020 VK131-VK140 VN016-VN050 VN086-VN095 VN301-VN340 VS196-VS199 VF147-VE170 VF171-VF180 VF251-VF260
870	22	PA	D02261	56		31-51-12	GDX0001	S..	2	N2	3		VN181-VK190 VL806-VL810 VL871-VL880 VL931-VL945
870	22	PA	D02261	56		31-51-12	GDX0001	S..	2	N2	3		VN096-VN110 VN174-VN190 VN657-VN670 VN968-VN970
870	22	PA	D02261	56		31-51-12	GDX0001	S..	2	N2	2		VR461-VR461 VS061-VS061 VS091-VS094 VS111-VS111 VS131-VS132 VS176-VS177 VS186-VS187 VS206-VS207 VS261-VS262
870	22	PA	D02261	56		31-51-12	GDX0001	S..	2	N2	2		VN151-VN170
870	22	PA	D02261	56		31-51-12	GDX0001	S..	2	N2	4		VB329-VB370 VB441-VB450 VE086-VE100 VE118-VE120 VE171-VE180 VF051-VF110 VF161-VF170 VK012-VK020 VK046-VK080 VK090-VK180 VL012-VL040 VL701-VL790 VL796-VL805 VL891-VL930 VM999-VM999 VN016-VN050 VN055-VN080 VN086-VN095 VN111-VN150 VN171-VN173 VN191-VN340 VN371-VN656 VN671-VN960 VN966-VN967 VN971-VN990 VR401-VR401 VR421-VR421 VR426-VR427 VR471-VR471 VS051-VS052 VS066-VS070 VS073-VS073 VS196-VS199 VS246-VS248 VS266-VS268
871	22	PA	D02261	57		31-51-12	GDX0003	S..	2	N2	3		VE147-VE170 VF171-VF180
871	22	PA	D02261	57		31-51-12	GDX0003	S..	2	N2	3		VF251-VF260

286T0045-101
Wire Bundle Assembly
Figure 101 (Sheet 331)

25-71-02



BOEING
COMPONENT
MAINTENANCE MANUAL

WIRES			FROM EQUIPMENT			TO EQUIPMENT			WIRES INFO		
NUMBER	GA	TYP	NUMBER	TERM TT	WD REF	NUMBER	TERM TT	EMC / SEP	FT	NOTE	EFFECTIVITY
871	22	PA	D02261	57	31-51-12	GDX0003	S.. 2	N2	2		VK181-VK190 VL806-VL810 VL871-VL880 VL931-VL945 VN096-VN110 VN174-VN190 VN657-VN670 VN968-VN970 VR461-VR461 VS061-VS061 VS091-VS094 VS111-VS111 VS131-VS132 VS176-VS177 VS186-VS187 VS206-VS207 VS261-VS262
871	22	PA	D02261	57	31-51-12	GDX0003	S.. 2	N2	2		VN151-VN170
871	22	PA	D02261	57	31-51-12	GDX0003	S.. 2	N2	3		VB329-VB370 VB441-VB450 VE086-VE100 VE118-VE120 VE171-VE180 VF051-VF110 VF161-VF170 VK012-VK020 VK046-VK080 VK090-VK180 VL012-VL040 VL701-VL790 VL796-VL805 VL891-VL930 VM999-VM999 VN016-VN050 VN055-VN080 VN086-VN095 VN111-VN150 VN171-VN173 VN191-VN340 VN371-VN656 VN671-VN960 VN966-VN967 VN971-VN990 VR401-VR401 VR421-VR421 VR426-VR427 VR471-VR471 VS051-VS052 VS066-VS070 VS073-VS073 VS196-VS199 VS246-VS248 VS266-VS268
872	22	PA	D02261	59	31-51-11	GDX0005	S.. 2	N2	3		VE147-VE170 VF171-VF180
872	22	PA	D02261	59	31-51-11	GDX0005	S.. 2	N2	3		VF251-VF260
872	22	PA	D02261	59	31-51-11	GDX0005	S.. 2	N2	1		VK181-VK190 VL806-VL810 VL871-VL880 VL931-VL945 VN096-VN110 VN174-VN190 VN657-VN670 VN968-VN970 VR461-VR461 VS061-VS061 VS091-VS094 VS111-VS111 VS131-VS132 VS176-VS177 VS186-VS187 VS206-VS207 VS261-VS262
872	22	PA	D02261	59	31-51-11	GDX0005	S.. 2	N2	1		VN151-VN170

286T0045-101
Wire Bundle Assembly
Figure 101 (Sheet 332)

25-71-02

WIRE			FROM EQUIPMENT			TO EQUIPMENT			WIRE INFO		
NUMBER	GA	TYP	NUMBER	TERM TT	WD REF	NUMBER	TERM TT	EMC / SEP	FT	NOTE	EFFECTIVITY
872	22	PA	D02261	59	31-51-11	GDX0005	S..	2	N2	3	VB329-VB370 VB441-VB450 VE086-VE100 VE118-VE120 VE171-VE180 VF051-VF110 VF161-VF170 VK046-VK080 VK090-VK130 VK141-VK180 VL012-VL040 VL701-VL790 VL796-VL805 VL891-VL930 VM999-VM999 VN055-VN080 VN086-VN095 VN111-VN173 VN191-VN300 VN371-VN656 VN671-VN960 VN966-VN967 VN971-VN990 VR401-VR401 VR421-VR421 VR426-VR427 VR471-VR471 VS051-VS052 VS066-VS070 VS073-VS073 VS246-VS248 VS266-VS268
873	24	PV	D02261	60	31-51-12	SM00055	W	N2	3		VE147-VE170 VF171-VF180 VK012-VK020 VK131-VK140 VN016-VN050 VN301-VN340 VS196-VS199
873	24	PV	D02261	60	31-51-12	SM00055	W	N2	2		VF251-VF260 VK181-VK190 VL806-VL810 VL871-VL880 VL931-VL945 VN096-VN110 VN174-VN190 VN657-VN670 VN968-VN970 VR461-VR461 VS061-VS061 VS091-VS094 VS111-VS111 VS131-VS132 VS176-VS177 VS186-VS187 VS206-VS207 VS261-VS262
873	24	PV	D02261	60	31-51-12	SM00055	W	N2	1		VB329-VB370 VB441-VB450 VE086-VE100 VE118-VE120 VE147-VE180 VF051-VF110 VF161-VF180 VF251-VF260 VK012-VK020 VK046-VK080 VK090-VK190 VL012-VL040 VL701-VL790 VL796-VL810 VL871-VL880 VL891-VL945 VM999-VM999 VN016-VN050 VN055-VN080 VN086-VN340 VN371-VN960 VN966-VN990 VR401-VR401 VR421-VR421 VR426-VR427 VR461-VR461 VR471-VR471 VS051-VS052 VS061-VS061 VS066-VS070 VS073-VS073 VS091-VS094 VS111-VS111 VS131-VS132 VS176-VS177 VS186-VS187 VS196-VS199 VS206-VS207 VS246-VS248 VS261-VS262 VS266-VS268

286T0045-101
Wire Bundle Assembly
Figure 101 (Sheet 333)

25-71-02



BOEING
COMPONENT
MAINTENANCE MANUAL

WIRE		FROM EQUIPMENT			TO EQUIPMENT			WIRE INFO		
NUMBER	GA TYP	NUMBER	TERM TT	WD REF	NUMBER	TERM TT	EMC / SEP	FT	NOTE	EFFECTIVITY
873Z		D02261	DED	31-51-12	SM00055	REF	N2			VE329-VB370 VB441-VB450 VE086-VE100 VE118-VE120 VE171-VE180 VF051-VF110 VF161-VF170 VK046-VK080 VK090-VK130 VK141-VK180 VL012-VL040 VL701-VL790 VL796-VL805 VL891-VL930 VM999-VM999 VM055-VM080 VN086-VN095 VN111-VN173 VN191-VN300 VN371-VN656 VN671-VN960 VN966-VN967 VN971-VN990 VR401-VR401 VR421-VR421 VR426-VR427 VR471-VR471 VS051-VS052 VS066-VS070 VS073-VS073 VS246-VS248 VS266-VS268
874	24 PV	D02261	62	31-51-11	SM00049	W	N2	3		VE147-VE170 VF171-VF180 VK012-VK020 VK131-VK140 VN016-VN050 VN301-VN340 VS196-VS199
874	24 PV	D02261	62	31-51-11	SM00049	W	N2	2		VF251-VF260 VK181-VK190 VL806-VL810 VL871-VL880 VL931-VL945 VN096-VN110 VN174-VN190 VN657-VN670 VN968-VN970 VR461-VR461 VS061-VS061 VS091-VS094 VS111-VS111 VS131-VS132 VS176-VS177 VS186-VS187 VS206-VS207 VS261-VS262
874	24 PV	D02261	62	31-51-11	SM00049	W	N2	1		VE329-VB370 VB441-VB450 VE086-VE100 VE118-VE120 VE147-VE180 VF051-VF110 VF161-VF180 VF251-VF260 VK012-VK020 VK046-VK080 VK090-VK190 VL012-VL040 VL701-VL790 VL796-VL810 VL871-VL880 VL891-VL945 VM999-VM999 VN016-VN050 VN055-VN080 VN086-VN340 VN371-VN960 VN966-VN990 VR401-VR401 VR421-VR421 VR426-VR427 VR461-VR461 VR471-VR471 VS051-VS052 VS061-VS061 VS066-VS070 VS073-VS073 VS091-VS094 VS111-VS111 VS131-VS132 VS176-VS177 VS186-VS187 VS196-VS199 VS206-VS207 VS246-VS248 VS261-VS262 VS266-VS268

286T0045-101
Wire Bundle Assembly
Figure 101 (Sheet 334)

25-71-02

WIRE		FROM EQUIPMENT			TO EQUIPMENT			WIRE INFO			
NUMBER	GA	TYP	NUMBER	TERM TT	WD REF	NUMBER	TERM TT	EMC / SEP	FT	NOTE	EFFECTIVITY
874Z			D02261	DED	31-51-11	SM00049	REF	N2			VB329-VB370 VB441-VB450 VE086-VE100 VE118-VE120 VE171-VE180 VF051-VF110 VF161-VF170 VK046-VK080 VK090-VK130 VK141-VK180 VL012-VL040 VL701-VL790 VL796-VL805 VL891-VL930 VM999-VM999 VN055-VN080 VN086-VN095 VN111-VN173 VN191-VN300 VN371-VN656 VN671-VN960 VN966-VN967 VN971-VN990 VR401-VR401 VR421-VR421 VR426-VR427 VR471-VR471 VS051-VS052 VS066-VS070 VS073-VS073 VS246-VS248 VS266-VS268
875	24	PV	D02261	63	31-51-12	SM00056		W N2	3		VE147-VE170 VF171-VF180 VK012-VK020 VK131-VK140 VN016-VN050 VN301-VN340 VS196-VS199
875	24	PV	D02261	63	31-51-12	SM00056		W N2	2		VF251-VF260 VK181-VK190 VL806-VL810 VL871-VL880 VL931-VL945 VN096-VN110 VN174-VN190 VN657-VN670 VN968-VN970 VR461-VR461 VS061-VS061 VS091-VS094 VS111-VS111 VS131-VS132 VS176-VS177 VS186-VS187 VS206-VS207 VS261-VS262
875	24	PV	D02261	63	31-51-12	SM00056		W N2	1		VB329-VB370 VB441-VB450 VE086-VE100 VE118-VE120 VE147-VE180 VF051-VF110 VF161-VF180 VF251-VF260 VK012-VK020 VK046-VK080 VK090-VK190 VL012-VL040 VL701-VL790 VL796-VL810 VL871-VL880 VL891-VL945 VM999-VM999 VN016-VN050 VN055-VN080 VN086-VN340 VN371-VN960 VN966-VN990 VR401-VR401 VR421-VR421 VR426-VR427 VR461-VR461 VR471-VR471 VS051-VS052 VS061-VS061 VS066-VS070 VS073-VS073 VS091-VS094 VS111-VS111 VS131-VS132 VS176-VS177 VS186-VS187 VS196-VS199 VS206-VS207 VS246-VS248 VS261-VS262 VS266-VS268

286T0045-101
Wire Bundle Assembly
Figure 101 (Sheet 335)

25-71-02



BOEING
COMPONENT
MAINTENANCE MANUAL

WIRE		FROM EQUIPMENT			TO EQUIPMENT			WIRE INFO			
NUMBER	GA	TYP	NUMBER	TERM TT	WD REF	NUMBER	TERM TT	EMC / SEP	FT	NOTE	EFFECTIVITY
875Z			D02261	DED	31-51-12	SM00056	REF	N2			VB329-VB370 VB441-VB450 VE086-VE100 VE147-VE180 VF051-VF110 VF161-VF180 VK046-VK080 VK090-VK180 VL012-VL040 VL701-VL790 VL796-VL805 VL891-VL930 VM999-VM999 VM055-VM080 VM086-VM095 VM111-VN173 VN191-VN300 VN371-VN656 VN671-VN960 VM966-VM967 VN971-VN990 VR401-VR401 VR421-VR421 VR426-VR427 VR471-VR471 VS051-VS052 VS066-VS070 VS073-VS073 VS246-VS248 VS266-VS268
876	24	PK	D02261	65	31-51-11	SM00022		W N2	4		VE118-VE120
876	24	PK	D02261	65	31-51-11	SM00022		W N2	3		VF251-VF260 VK181-VK190 VL806-VL810 VL871-VL880 VL931-VL945 VN096-VN110 VN174-VN190 VM657-VM670 VN968-VN970 VR461-VR461 VS061-VS061 VS091-VS094 VS111-VS111 VS131-VS132 VS176-VS177 VS186-VS187 VS206-VS207 VS261-VS262
876	24	PK	D02261	65	31-51-11	SM00022		W N2	1		VK012-VK020 VN016-VN050 VN301-VN340 VS196-VS199
876	24	PK	D02261	65	31-51-11	SM00022		W N2	2		VB329-VB370 VB441-VB450 VE086-VE100 VE118-VE120 VE147-VE180 VF051-VF110 VF161-VF180 VK046-VK080 VK090-VK180 VL012-VL040 VL701-VL790 VL796-VL805 VL891-VL930 VM999-VM999 VM016-VM050 VM055-VM080 VM086-VM095 VM111-VN173 VN191-VN340 VN371-VN656 VN671-VN960 VM966-VM967 VN971-VN990 VR401-VR401 VR421-VR421 VR426-VR427 VR471-VR471 VS051-VS052 VS066-VS070 VS073-VS073 VS196-VS199 VS246-VS248 VS266-VS268

286T0045-101
Wire Bundle Assembly
Figure 101 (Sheet 336)

25-71-02

TESTING & TROUBLE SHOOTING
01

Page 132U
Nov 01/02

WIRE		FROM EQUIPMENT			TO EQUIPMENT			WIRE INFO					
NUMBER	GA	TYP	NUMBER	TERM	TT	WD REF	NUMBER	TERM	TT	EMC/ SEP	FT	NOTE	EFFECTIVITY
877	24	PV	D00811	14		31-51-11	SM00018		W	N2	4		VF251-VF260 VK181-VK190 VL806-VL810 VL871-VL880 VL931-VL945 VN096-VN110 VN174-VN190 VN657-VN670 VN968-VN970 VR461-VR461 VS111-VS111 VS131-VS132 VS177-VS177 VS186-VS187 VS206-VS207
877	24	PV	D00811	14		31-51-11	SM00018		W	N2	2		VK012-VK020
877	24	PV	D00811	14		31-51-11	SM00018		W	N2	3		VS061-VS061 VS091-VS094 VS176-VS176 VS261-VS262
877	24	PV	D00811	14		31-51-11	SM00018		W	N2	2		VB329-VB370 VB441-VB450 VE086-VE100 VE118-VE120 VE147-VE180 VF051-VF110 VF161-VF180 VF251-VF260 VK012-VK020 VK046-VK080 VK090-VK190 VL012-VL040 VL701-VL790 VL796-VL810 VL871-VL880 VL891-VL945 VM999-VM999 VN016-VN050 VN055-VN080 VN086-VN340 VN371-VN960 VN966-VN990 VR401-VR401 VR421-VR421 VR426-VR427 VR461-VR461 VR471-VR471 VS051-VS052 VS061-VS061 VS066-VS070 VS073-VS073 VS091-VS094 VS111-VS111 VS131-VS132 VS176-VS177 VS186-VS187 VS196-VS199 VS206-VS207 VS246-VS248 VS261-VS262 VS266-VS268
877Z			D00811	DED		31-51-11	SM00018	REF		N2			VB329-VB370 VB441-VB450 VE086-VE100 VE118-VE120 VE147-VE180 VF051-VF110 VF161-VF180 VK046-VK080 VK090-VK180 VL012-VL040 VL701-VL790 VL796-VL805 VL891-VL930 VM999-VM999 VN016-VN050 VN055-VN080 VN086-VN095 VN111-VN173 VN191-VN340 VN371-VN656 VN671-VN960 VN966-VN967 VN971-VN990 VR401-VR401 VR421-VR421 VR426-VR427 VR471-VR471 VS051-VS052 VS066-VS070 VS073-VS073 VS196-VS199 VS246-VS248 VS266-VS268

286T0045-101
Wire Bundle Assembly
Figure 101 (Sheet 337)

25-71-02



BOEING
COMPONENT
MAINTENANCE MANUAL

WIRE		FROM EQUIPMENT			TO EQUIPMENT			WIRE INFO						
NUMBER	GA	TYP	NUMBER	TERM	TT	WD	REF	NUMBER	TERM	TT	EMC / SEP	FT	NOTE	EFFECTIVITY
878	24	PV	D00811	48		31-51-11		SM00047			W	N2	4	VF251-VF260 VK181-VK190 VL806-VL810 VL871-VL880 VL931-VL945 VN096-VN110 VN174-VN190 VNG57-VN670 VN968-VN970 VR461-VR461 VS111-VS111 VS131-VS132 VS177-VS177 VS186-VS187 VS206-VS207
878	24	PV	D00811	48		31-51-11		SM00047			W	N2	2	VK012-VK020
878	24	PV	D00811	48		31-51-11		SM00047			W	N2	3	VS061-VS061 VS091-VS094 VS176-VS176 VS261-VS262
878	24	PV	D00811	48		31-51-11		SM00047			W	N2	2	VB329-VB370 VB441-VB450 VE086-VE100 VE118-VE120 VE147-VE180 VF051-VF110 VF161-VF180 VF251-VF260 VK012-VK020 VK046-VK080 VK090-VK190 VL012-VL040 VL701-VL790 VL796-VL810 VL871-VL880 VL891-VL945 VM999-VM999 VN016-VN050 VN055-VN080 VN086-VN340 VN371-VN960 VN966-VN990 VR401-VR401 VR421-VR421 VR426-VR427 VR461-VR461 VR471-VR471 VS051-VS052 VS061-VS061 VS066-VS070 VS073-VS073 VS091-VS094 VS111-VS111 VS131-VS132 VS176-VS177 VS186-VS187 VS196-VS199 VS206-VS207 VS246-VS248 VS261-VS262 VS266-VS268
878Z			D00811	DED		31-51-11		SM00047	REF			N2		VB329-VB370 VB441-VB450 VE086-VE100 VE118-VE120 VE147-VE180 VF051-VF110 VF161-VF180 VK046-VK080 VK090-VK180 VL012-VL040 VL701-VL790 VL796-VL805 VL891-VL930 VM999-VM999 VN016-VN050 VN055-VN080 VN086-VN095 VN111-VN173 VN191-VN340 VN371-VN656 VN671-VN960 VN966-VN967 VN971-VN990 VR401-VR401 VR421-VR421 VR426-VR427 VR471-VR471 VS051-VS052 VS066-VS070 VS073-VS073 VS196-VS199 VS246-VS248 VS266-VS268

286T0045-101
Wire Bundle Assembly
Figure 101 (Sheet 338)

25-71-02

WIRE		FROM EQUIPMENT			TO EQUIPMENT			WIRE INFO			
NUMBER	GA	TYP	NUMBER	TERM TT	WD REF	NUMBER	TERM TT	EMC/SEP	FT	NOTE	EFFECTIVITY
879	24	PV	D00811	23	31-51-11	SM00049	W	N2	4		VF251-VF260 VK181-VK190 VL806-VL810 VL871-VL880 VL931-VL945 VN096-VN110 VN174-VN190 VN657-VN670 VN968-VN970 VR461-VR461 VS111-VS111 VS131-VS132 VS177-VS177 VS186-VS187 VS206-VS207
879	24	PV	D00811	23	31-51-11	SM00049	W	N2	2		VK012-VK020
879	24	PV	D00811	23	31-51-11	SM00049	W	N2	3		VS061-VS061 VS091-VS094 VS176-VS176 VS261-VS262
879	24	PV	D00811	23	31-51-11	SM00049	W	N2	2		VB329-VB370 VB441-VB450 VE086-VE100 VE118-VE120 VE147-VE180 VF051-VF110 VF161-VF180 VF251-VF260 VK012-VK020 VK046-VK080 VK090-VK190 VL012-VL040 VL701-VL790 VL796-VL810 VL871-VL880 VL891-VL945 VM999-VM999 VN016-VN050 VN055-VN080 VN086-VN340 VN371-VN960 VN966-VN990 VR401-VR401 VR421-VR421 VR426-VR427 VR461-VR461 VR471-VR471 VS051-VS052 VS061-VS061 VS066-VS070 VS073-VS073 VS091-VS094 VS111-VS111 VS131-VS132 VS176-VS177 VS186-VS187 VS196-VS199 VS206-VS207 VS246-VS248 VS261-VS262 VS266-VS268
879Z			D00811	DED	31-51-11	SM00049	REF	N2			VB329-VB370 VB441-VB450 VE086-VE100 VE118-VE120 VE147-VE180 VF051-VF110 VF161-VF180 VK046-VK080 VK090-VK180 VL012-VL040 VL701-VL790 VL796-VL805 VL891-VL930 VM999-VM999 VN016-VN050 VN055-VN080 VN086-VN095 VN111-VN173 VN191-VN340 VN371-VN656 VN671-VN960 VN966-VN967 VN971-VN990 VR401-VR401 VR421-VR421 VR426-VR427 VR471-VR471 VS051-VS052 VS066-VS070 VS073-VS073 VS196-VS199 VS246-VS248 VS266-VS268

 286T0045-101
 Wire Bundle Assembly
 Figure 101 (Sheet 339)

25-71-02

 TESTING & TROUBLE SHOOTING
 01 Page 132X
 Nov 01/02



BOEING
COMPONENT
MAINTENANCE MANUAL

WIRE		FROM EQUIPMENT			TO EQUIPMENT			WIRE INFO						
NUMBER	GA	TYP	NUMBER	TERM	TT	WD	REF	NUMBER	TERM	TT	EMC / SEP	FT	NOTE	EFFECTIVITY
880	24	PV	D00813	14		31-51-12		SM00054			W	N2	4	VF251-VF260 VK181-VK190 VL806-VL810 VL871-VL880 VL931-VL945 VN096-VN110 VN174-VN190 VN657-VN670 VN968-VN970 VR461-VR461 VS111-VS111 VS131-VS132 VS177-VS177 VS186-VS187 VS206-VS207
880	24	PV	D00813	14		31-51-12		SM00054			W	N2	2	VK012-VK020
880	24	PV	D00813	14		31-51-12		SM00054			W	N2	3	VS061-VS061 VS091-VS094 VS176-VS176 VS261-VS262
880	24	PV	D00813	14		31-51-12		SM00054			W	N2	2	VB329-VB370 VB441-VB450 VE086-VE100 VE118-VE120 VE147-VE180 VF051-VF110 VF161-VF180 VF251-VF260 VK012-VK020 VK046-VK080 VK090-VK190 VL012-VL040 VL701-VL790 VL796-VL810 VL871-VL880 VL891-VL945 VM999-VM999 VM016-VN050 VN055-VN080 VN086-VN340 VN371-VN960 VN966-VN990 VR401-VR401 VR421-VR421 VR426-VR427 VR461-VR461 VR471-VR471 VS051-VS052 VS061-VS061 VS066-VS070 VS073-VS073 VS091-VS094 VS111-VS111 VS131-VS132 VS176-VS177 VS186-VS187 VS196-VS199 VS206-VS207 VS246-VS248 VS261-VS262 VS266-VS268
880Z			D00813	DED		31-51-12		SM00054	REF			N2		VB329-VB370 VB441-VB450 VE086-VE100 VE118-VE120 VE147-VE180 VF051-VF110 VF161-VF180 VK046-VK080 VK090-VK180 VL012-VL040 VL701-VL790 VL796-VL805 VL891-VL930 VM999-VM999 VN016-VN050 VN055-VN080 VN086-VN095 VN111-VN173 VN191-VN340 VN371-VN656 VN671-VN960 VN966-VN967 VN971-VN990 VR401-VR401 VR421-VR421 VR426-VR427 VR471-VR471 VS051-VS052 VS066-VS070 VS073-VS073 VS196-VS199 VS246-VS248 VS266-VS268

286T0045-101
Wire Bundle Assembly
Figure 101 (Sheet 340)

25-71-02

WIRE		FROM EQUIPMENT			TO EQUIPMENT			WIRE INFO			
NUMBER	CA TYP	NUMBER	TERM TT	WD REF	NUMBER	TERM TT	EMC/SEP	FT	NOTE	EFFECTIVITY	
881	24	PV D00813	48	31-51-12	SM00055	W	N2	4		VF251-VF260 VK181-VK190 VL806-VL810 VL871-VL880 VL931-VL945 VN096-VN110 VN174-VN190 VN657-VN670 VN968-VN970 VR461-VR461 VS111-VS111 VS131-VS132 VS177-VS177 VS186-VS187 VS206-VS207	
881	24	PV D00813	48	31-51-12	SM00055	W	N2	2		VK012-VK020	
881	24	PV D00813	48	31-51-12	SM00055	W	N2	3		VS061-VS061 VS091-VS094 VS176-VS176 VS261-VS262	
881	24	PV D00813	48	31-51-12	SM00055	W	N2	2		VB329-VB370 VB441-VB450 VE086-VE100 VE118-VE120 VE147-VE180 VF051-VF110 VF161-VF180 VF251-VF260 VK012-VK020 VK046-VK080 VK090-VK190 VL012-VL040 VL701-VL790 VL796-VL810 VL871-VL880 VL891-VL945 VM999-VM999 VN016-VN050 VN055-VN080 VN086-VN340 VN371-VN960 VN966-VN990 VR401-VR401 VR421-VR421 VR426-VR427 VR461-VR461 VR471-VR471 VS051-VS052 VS061-VS061 VS066-VS070 VS073-VS073 VS091-VS094 VS111-VS111 VS131-VS132 VS176-VS177 VS186-VS187 VS196-VS199 VS206-VS207 VS246-VS248 VS261-VS262 VS266-VS268	
881Z		D00813	DED	31-51-12	SM00055	REF	N2			VB329-VB370 VB441-VB450 VE086-VE100 VE118-VE120 VE147-VE180 VF051-VF110 VF161-VF180 VK046-VK080 VK090-VK180 VL012-VL040 VL701-VL790 VL796-VL805 VL891-VL930 VM999-VM999 VN016-VN050 VN055-VN080 VN086-VN095 VN111-VN173 VN191-VR340 VN371-VN656 VN671-VN960 VN966-VN967 VN971-VN990 VR401-VR401 VR421-VR421 VR426-VR427 VR471-VR471 VS051-VS052 VS066-VS070 VS073-VS073 VS196-VS199 VS246-VS248 VS266-VS268	

286T0045-101
Wire Bundle Assembly
Figure 101 (Sheet 341)

25-71-02



BOEING
COMPONENT
MAINTENANCE MANUAL

WIRE		FROM EQUIPMENT		TO EQUIPMENT		WIRE INFO					
NUMBER	GA	TYP	NUMBER	TERM TT	WD REF	NUMBER	TERM TT	EMC / SEP	FT	NOTE	EFFECTIVITY
882	24	PV	D00813	23	31-51-12	SM00056	W	N2	4		VF251-VF260 VK181-VK190 VL806-VL810 VL871-VL880 VL931-VL945 VN096-VN110 VN174-VN190 VN657-VN670 VN968-VN970 VR461-VR461 VS111-VS111 VS131-VS132 VS177-VS177 VS186-VS187 VS206-VS207
882	24	PV	D00813	23	31-51-12	SM00056	W	N2	2		VK012-VK020
882	24	PV	D00813	23	31-51-12	SM00056	W	N2	3		VS061-VS061 VS091-VS094 VS176-VS176 VS261-VS262
882	24	PV	D00813	23	31-51-12	SM00056	W	N2	2		VB329-VB370 VB441-VB450 VE086-VE100 VE118-VE120 VE147-VE180 VF051-VF110 VF161-VF180 VF251-VF260 VK012-VK020 VK046-VK080 VK090-VK190 VL012-VL040 VL701-VL790 VL796-VL810 VL871-VL880 VL891-VL945 VM999-VM999 VN016-VN050 VN055-VN080 VN086-VN340 VN371-VN960 VN966-VN990 VR401-VR401 VR421-VR421 VR426-VR427 VR461-VR461 VR471-VR471 VS051-VS052 VS061-VS061 VS066-VS070 VS073-VS073 VS091-VS094 VS111-VS111 VS131-VS132 VS176-VS177 VS186-VS187 VS196-VS199 VS206-VS207 VS246-VS248 VS261-VS262 VS266-VS268
882Z			D00813	DED	31-51-12	SM00056	REF	N2			VA021-VA299 VA316-VA500 VA531-VA700 VA720-VA800 VA811-VA999 VB003-VB050 VB056-VB100 VB126-VB200 VB203-VB250 VB254-VB280 VB285-VB300 VB303-VB320 VB374-VB400 VB402-VB410 VB421-VB440 VB451-VD999 VE004-VE020 VE024-VE040 VE044-VE060 VE070-VE082 VE087-VE100 VE105-VE115 VE127-VE140 VF003-VF010 VF021-VF040 VF043-VF050 VK010-VK011 VK023-VK030 VL007-VL010

286T0045-101
Wire Bundle Assembly
Figure 101 (Sheet 342)

25-71-02

WIRE		FROM EQUIPMENT			TO EQUIPMENT			WIRE INFO			
NUMBER	GA	TYP	NUMBER	TERM TT	WD REF	NUMBER	TERM TT	EMC / SEP	FT	NOTE	EFFECTIVITY
883	22	PA	D01741	REF Y	38-32-11	D04349J	26	N2	4		VB329-VB370 VB441-VB450 VE086-VE086 VE147-VE180 VF052-VF100 VF161-VF180 VK046-VK080 VK094-VK180 VL012-VL040 VL751-VL790 VL796-VL805 VL891-VL930 VN016-VN050 VN059-VN080 VN086-VN095 VN113-VN150 VN157-VN173 VN191-VN220 VN223-VN224 VN231-VN290 VN301-VN340 VN371-VN656 VN671-VN750 VN791-VN960 VN966-VN967 VN971-VN990 VR401-VR401 VR421-VR421 VR426-VR427 VR471-VR471 VS051-VS052 VS066-VS070 VS073-VS073 VS196-VS199 VS246-VS248 VS266-VS268
883	22	PA	D02261	15	38-32-11	D04349J	26	N2	4		VE118-VE120 VF101-VF110 VK012-VK020 VL701-VL750 VN291-VN300 VN751-VN790
883	22	PA	D02261	15	38-32-11	D04349J	26	N2	3		VF011-VF011
883	22	PA	D01741	REF Y	38-32-11	D04349J	26	N2	4		VF251-VF260 VK181-VK190 VL806-VL810 VL871-VL880 VL931-VL945 VN096-VN110 VN174-VN190 VN657-VN670 VN968-VN970 VR461-VR461 VS061-VS061 VS091-VS094 VS111-VS111 VS131-VS132 VS176-VS177 VS186-VS187 VS206-VS207 VS261-VS262
883	22	PA	D02261	15	38-32-11	D04349J	26	N2	2		VK093-VK093
883	22	PA	D02261	15	SPARE	D04349J	26	N2	4		VN151-VN155 VN225-VN230
883	22	PA	D02261	CAP Y	38-32-11	D04349J	26	N2	4		VN156-VN156
883	22	PA	D02261	REF Y	38-32-11	D04349J	26	N2	4		VA021-VA299 VA316-VA500 VA531-VA700 VA720-VA800 VA811-VA999 VB003-VB050 VB056-VB100 VB126-VB200 VB203-VB250 VB254-VB280 VB285-VB300 VB303-VB320 VB374-VB400 VB402-VB410 VB421-VB440 VB451-VD999 VE004-VE020 VE024-VE040 VE044-VE060 VE070-VE082 VE087-VE100 VE105-VE115 VE127-VE140 VF003-VF010 VF021-VF040 VF043-VF050 VF071-VF090 VK010-VK011 VK023-VK030 VL007-VL010

286T0045-101
Wire Bundle Assembly
Figure 101 (Sheet 343)

25-71-02



BOEING
COMPONENT
MAINTENANCE MANUAL

WIRE		FROM EQUIPMENT			TO EQUIPMENT			WIRE INFO			
NUMBER	GA	TYP	NUMBER	TERM	WD REF	NUMBER	TERM	EMC/SEP	FT	NOTE	EFFECTIVITY
884	22	PA	D01741	REF Y	38-32-11	D04347J	27	N2	4		VB329-VB370 VB441-VB450 VE086-VE086 VE147-VE180 VF052-VF070 VF091-VF100 VF161-VF180 VK046-VK080 VK094-VK130 VK141-VK180 VL012-VL040 VL701-VL790 VL796-VL805 VL891-VL930 VN016-VN050 VN059-VN080 VN086-VN095 VN113-VN150 VN157-VN173 VN191-VN220 VN223-VN224 VN231-VN340 VN371-VN656 VN671-VN960 VN966-VN967 VN971-VN990 VR401-VR401 VR421-VR421 VR426-VR427 VR471-VR471 VS051-VS052 VS066-VS070 VS073-VS073 VS196-VS199 VS246-VS248 VS266-VS268
884	22	PA	D02261	47	38-32-11	D04347J	27	N2	4		VE118-VE120 VF101-VF110 VK012-VK020 VK131-VK140
884	22	PA	D02261	47	38-32-11	D04347J	27	N2	3		VF011-VF011
884	22	PA	D01741	REF Y	38-32-11	D04347J	27	N2	4		VF251-VF260 VK181-VK190 VL806-VL810 VL871-VL880 VL931-VL945 VN096-VN110 VN174-VN190 VN657-VN670 VN968-VN970 VR461-VR461 VS061-VS061 VS091-VS094 VS111-VS111 VS131-VS132 VS176-VS177 VS186-VS187 VS206-VS207 VS261-VS262
884	22	PA	D02261	47	38-32-11	D04347J	27	N2	2		VK093-VK093
884	22	PA	D02261	47	SPARE	D04347J	27	N2	4		VN151-VN155 VN225-VN230
884	22	PA	D02261	CAP Y	38-32-11	D04347J	27	N2	4		VN156-VN156
884	22	PA	D02261	REF Y	38-32-11	D04347J	27	N2	4		VB331-VB370 VB441-VB450 VE172-VE180 VF061-VF110 VF161-VF170 VK010-VK020 VK052-VK080 VK101-VK180 VL701-VL790 VL796-VL805 VL911-VL930 VM999-VM999 VN016-VN050 VN063-VN080 VN111-VN170 VN195-VN240 VN242-VN340 VN371-VN650 VN671-VN960 VN966-VN967 VN971-VN990 VR401-VR401 VR421-VR421 VR426-VR427 VR471-VR471 VS051-VS052 VS066-VS070 VS073-VS073 VS196-VS199 VS246-VS248 VS266-VS268

286T0045-101
Wire Bundle Assembly
Figure 101 (Sheet 344)

25-71-02

WIRES		FROM EQUIPMENT			TO EQUIPMENT			WIRES INFO						
NUMBER	GA	TYP	NUMBER	TERM	TT	WD	REF	NUMBER	TERM	TT	EMC/ SEP	FT	NOTE	EFFECTIVITY
885	24	PK	D04303J	9		31-51-21	SM00057				N2	3		VB371-VB373 VE171-VE171 VK001-VK009 VK021-VK022
885	24	PK	D04303J	9		31-51-21	SM00057				N2	3	MLA-F2	VE152-VE170 VF171-VF180
885	24	PK	D04303J	9		31-51-21	SM00057				N2	3	MLA-F2	VF041-VF042
885	24	PK	D04303J	9		31-51-21	SM00057				N2	3	MLA-F2	VF251-VF260
885	24	PK	D04303J	9		31-51-21	SM00057				N2	1		VK181-VK190 VL806-VL810 VL871-VL880 VL931-VL945 VN174-VN190 VN557-VN670 VN968-VN970 VR461-VR461 VS061-VS061 VS091-VS094 VS111-VS111 VS131-VS132 VS176-VS177 VS206-VS207 VS261-VS262
885	24	PK	D04303J	9		31-51-21	SM00057				N2	1		VL891-VL910
885	24	PK	D04303J	9		31-51-21	SM00057				N2	3		VN191-VN194
885	24	PK	D04303J	9		31-51-21	SM00057				N2	4	MLA-F2	VB331-VB370 VB441-VB450 VE152-VE170 VE172-VE180 VF061-VF110 VF161-VF180 VK010-VK020 VK052-VK080 VK101-VK180 VL701-VL790 VL796-VL805 VL891-VL930 VM999-VM999 VN016-VN050 VN063-VN080 VN111-VN170 VN174-VN190 VN195-VN240 VN242-VN340 VN371-VN650 VN671-VN960 VN966-VN967 VN971-VN990 VR401-VR401 VR421-VR421 VR426-VR427 VR471-VR471 VS051-VS052 VS066-VS070 VS073-VS073 VS196-VS199 VS246-VS248 VS266-VS268
886	24	PK	D04507J	3		31-51-21	SM00058				N2	3		VB371-VB373 VE171-VE171 VF041-VF042 VK001-VK009 VK021-VK022
886	24	PK	D04507J	3		31-51-21	SM00058				N2	3	MLA-F2	VF251-VF260 VK181-VK190 VL806-VL810 VL871-VL880 VL931-VL945 VN557-VN670 VN968-VN970 VR461-VR461 VS061-VS061 VS091-VS094 VS111-VS111 VS131-VS132 VS176-VS177 VS206-VS207 VS261-VS262
886	24	PK	D04507J	3		31-51-21	SM00058				N2	1		VN191-VN194

286T0045-101
Wire Bundle Assembly
Figure 101 (Sheet 345)

25-71-02



BOEING
COMPONENT
MAINTENANCE MANUAL

WIRE			FROM EQUIPMENT			TO EQUIPMENT			WIRE INFO					
NUMBER	GA	TYP	NUMBER	TERM	TT	WD	REF	NUMBER	TERM	TT	EMC / SEP	FT	NOTE	EFFECTIVITY
886	24	PK	D04507J	3		31-51-21		SM00058		S	N2	4	MLA-F2	VB331-VB370 VB441-VB450 VE152-VE170 VE172-VE180 VF061-VF110 VF161-VF180 VK010-VK020 VK052-VK080 VK101-VK180 VL701-VL790 VL796-VL805 VL891-VL930 VM999-VM999 VM016-VM050 VM063-VM080 VM111-VM170 VN174-VN190 VN195-VN240 VN242-VN340 VN371-VM650 VN671-VN960 VN966-VN967 VN971-VN990 VR401-VR401 VR421-VR421 VR426-VR427 VR471-VR471 VS051-VS052 VS066-VS070 VS073-VS073 VS196-VS199 VS246-VS248 VS266-VS268
887	24	PK	D04507J	1		31-51-21		SM00058		W	N2	3		VB371-VB373 VF041-VF042 VK001-VK009 VK021-VK022
887	24	PK	D04507J	1		31-51-21		SM00058		W	N2	3	MLA-F2	VE171-VE171
887	24	PK	D04507J	1		31-51-22		SM00058		W	N2	3	MLA-F2	VF251-VF260 VK181-VK190 VL806-VL810 VL871-VL880 VL931-VL945 VM657-VM670 VM968-VM970 VR461-VR461 VS061-VS061 VS091-VS094 VS111-VS111 VS131-VS132 VS176-VS177 VS206-VS207 VS261-VS262
887	24	PK	D04507J	1		31-51-21		SM00058		W	N2	1		VN191-VN194
887	24	PK	D04507J	1		31-51-21		SM00058		S	N2	4	MLA-F2	VB331-VB370 VB441-VB450 VE152-VE170 VE172-VE180 VF061-VF110 VF161-VF180 VK010-VK020 VK052-VK080 VK131-VK180 VL751-VL790 VL796-VL805 VL891-VL930 VN016-VN050 VN063-VN080 VN111-VN170 VN211-VN240 VN242-VN340 VN371-VN650 VN671-VN675 VN681-VN960 VN971-VN990 VR421-VR421 VR426-VR427 VR471-VR471 VS051-VS052 VS066-VS070 VS073-VS073 VS196-VS199 VS246-VS248 VS266-VS268
888	24	PK	SM00057		W	31-51-21		D04349J	44		N2	3		VB371-VB373 VE171-VE171 VK001-VK009 VK021-VK022
888	24	PK	SM00057		W	31-51-21		D04349J	44		N2	3	MLA-T2	VF041-VF042

286T0045-101
Wire Bundle Assembly
Figure 101 (Sheet 346)

25-71-02

WIRE NUMBER	GA	TYP	FROM EQUIPMENT			TO EQUIPMENT			WIRE INFO		
			NUMBER	TERM TT	WD REF	NUMBER	TERM TT	EMC/SEP	FT	NOTE	EFFECTIVITY
888	24	PK	SM00057		31-51-21	D04349J	25	N2	3	MLA-T2	VF251-VF260 VK181-VK190 VL806-VL810 VL871-VL880 VL931-VL940 VN174-VN190 VM657-VN670 VR461-VR461 VS061-VS061 VS091-VS094 VS111-VS111 VS176-VS177 VS206-VS207
888	24	PK	SM00057	W	31-51-21	D04349J	44	N2	1		VK101-VK130 VL701-VL750 VM999-VM999 VN195-VN210 VN676-VN680 VN966-VN967 VR401-VR401
888	24	PK	SM00057	W	31-51-21	D04349J	25	N2	3		VL941-VL945 VN968-VN970 VS131-VS132 VS261-VS262
888	24	PK	SM00057	W	31-51-21	D04349J	25	N2	1		VN191-VN194
888	24	PK	SM00057	S	31-51-21	D04349J	25	N2	4	MLA-T2	VN111-VN150 VN821-VN920 VS246-VS248
889	24	PK	D04301J	19	34-35-11	D02261	12	N2	4		VN111-VN150 VN821-VN920 VS246-VS248
890	24	PK	D04301J	20	34-35-11	D02261	45	N2	4		VN111-VN150 VN376-VN380 VN531-VN630 VN821-VN920 VS246-VS248
891	24	PV	SM00059	W	31-51-11	D00811	76	N2	4		VN111-VN150 VN376-VN380 VN531-VN630 VN821-VN920 VS246-VS248
891Z			SM00059	REF	31-51-11	D00811	DED	N2			VN111-VN150 VN376-VN380 VN531-VN630 VN821-VN920 VS246-VS248
892	24	PV	SM00062	W	31-51-11	D00811	62	N2	4		VN111-VN150 VN376-VN380 VN531-VN630 VN821-VN920 VS246-VS248
892Z			SM00062	REF	31-51-11	D00811	DED	N2			VN111-VN150 VN376-VN380 VN531-VN630 VN821-VN920 VS246-VS248
893	24	PK	SM00063	W	31-51-11	D00811	66	N2	4		VN111-VN150 VN376-VN380 VN531-VN630 VN821-VN920 VS246-VS248
894	24	PV	SM00064	W	31-51-12	D00813	76	N2	4		VN111-VN150 VN376-VN380 VN531-VN630 VN821-VN920 VS246-VS248
894Z			SM00064	REF	31-51-12	D00813	DED	N2			VN111-VN150 VN376-VN380 VN531-VN630 VN821-VN920 VS246-VS248
895	24	PV	SM00072	W	31-51-12	D00813	62	N2	4		VN111-VN150 VN376-VN380 VN531-VN630 VN821-VN920 VS246-VS248
895Z			SM00072	REF	31-51-12	D00813	DED	N2			VN111-VN150 VN376-VN380 VN531-VN630 VN821-VN920 VS246-VS248

286T0045-101
Wire Bundle Assembly
Figure 101 (Sheet 347)

25-71-02



BOEING
COMPONENT
MAINTENANCE MANUAL

WIRE			FROM EQUIPMENT				TO EQUIPMENT				WIRE INFO			
NUMBER	GA	TYP	NUMBER	TERM TT	WD REF	NUMBER	TERM TT	EMC/SEP	FT	NOTE	EFFECTIVITY			
896	24	PK	SMO0076		31-51-12	D00813	66	N2	4		VN111-VN150 VN376-VN380 VN821-VN920 VS246-VS248			
897	20	UA	D00907	REF	31-51-12	GDX0006	S..	N2	4		VN531-VN630			
897	20	UA	D00907	REF	31-51-12	GDX0006	S..	N2	3		VN111-VN150 VN376-VN380 VN531-VN630 VN821-VN920 VS246-VS248			
898	20	UA	D00907	REF	31-51-11	GDX0006	S..	N2	3		VB325-VB332			
899	24	PK	D01739	11	31-51-35	SMO0039		W N2	4	MOT-F2	VN111-VN150 VN821-VN920 VS246-VS248			
899	24	PK	D01739	11	31-51-35	SMO0039		W N2	4		VN531-VN545 VN551-VN556 VN558-VN630			
899	24	PK	D01487	49	31-51-31	SMO0039		W N2	2		VN557-VN557			
900B	24	PW	D04597J	9	34-45-13	D04597J	CAP	Y N2	2		VE021-VE023 VN211-VN212			
900R	24	PW	D04597J	8	34-45-13	D04597J	CAP	Y N2	5	ZSZ-B6	VE021-VE023 VN211-VN212			
900Z	24	PW	D04597J	7	34-45-13	D04597J	DED	Y N2	5	ZSZ-B6	VE021-VE023 VN211-VN212			
902B	22	PB	D04347J	31	31-51-31	SMZ9959		N2			VA701-VA719 VB201-VB202			
902R	22	PB	D04347J	12	31-51-31	SMZ9958		N2			VA701-VA719 VB201-VB202			
930B	22	PB	D04347J	50	31-51-31	SMZ0002		N2	5	ZSZ-B6	VA501-VA530 VN001-VN015			
930R	22	PB	D04347J	49	31-51-31	SMZ0001		W N2	5	ZSZ-B6	VA501-VA530 VN001-VN015			
931B	22	PB	D01487	63	31-51-31	SMZ0002		W N2	5		VA501-VA530 VN001-VN015			
931R	22	PB	D01487	62	31-51-31	SMZ0001		W N2	5		VA501-VA530 VN001-VN015			
932B	22	PB	D00817	63	31-51-32	SMZ0002		W N2	5		VA501-VA530 VN001-VN015			
932R	22	PB	D00817	62	31-51-32	SMZ0001		W N2	5		VA501-VA530 VN001-VN015			
990B	22	PB	SMZ9959		31-51-32	D00817	63	N2		ZSZ-B6	VA701-VA719 VB201-VB202			
990R	22	PB	SMZ9958		31-51-32	D00817	62	N2	5	ZSZ-B6	VA701-VA719 VB201-VB202			
991B	22	PB	SMZ9959		31-51-31	D01487	63	N2		ZSZ-B6	VA701-VA719 VB201-VB202			
991R	22	PB	SMZ9958		31-51-31	D01487	62	N2	5	ZSZ-B6	VA701-VA719 VB201-VB202			

286T0045-101
Wire Bundle Assembly
Figure 101 (Sheet 348)

25-71-02

TESTING & TROUBLE SHOOTING
01

Page 134E
Nov 01/02

WIRE			FROM EQUIPMENT				TO EQUIPMENT				WIRE INFO		
NUMBER	GA	TYP	NUMBER	TERM	TT	WD REF	NUMBER	TERM	TT	EMC/ SEP	NOTE	EFFECTIVITY	
FRA			M01103			31-51-12	M01103	GND	D				
FRB			D00813	REF		31-51-12	D00813	59					
FRC			M01102			31-51-11	M01102	GND	D				
FRD			D00811	REF		31-51-11	D00811	59					
FRG			D04349J	58		31-41-35	D04349J	REF					
FRH			D04349J	61		28-41-11	D04349J	REF					
PA1			D00815	47		99-99-99	D00815	63			DAW-B2		
PA2			D00817	8		99-99-99	D00817	57			DAW-B2		
PA3			D00819	41		99-99-99	D00819	55			DAW-B2		
PA4			D00821	43		99-99-99	D00821	60			DAW-B2		
PA5			D00823	52		99-99-99	D00823	65			DAW-B2		
PA6			D01433	44		99-99-99	D01433	61			DAW-B2		
PA7			D01381	52		99-99-99	D01381	65			DAW-B2		
PA8			D01487	8		99-99-99	D01487	57			DAW-B2		
PA9			D01489	56		99-99-99	D01489	65			DAW-B2		
PB4			D02261	54		99-99-99	D02261	61			DAW-B2		
P01			D11553										
1		SE	D00811	60		31-51-11	GDX0001	S..	2				
2	22	PA	D00821	14		31-51-11	GDX0002	D..	2				
3	22	PA	D00811	26		31-51-11	D00821	27					
003Z	24	PV	D00811	DED		31-51-11	D00821	REF					
4	24	PV	D00811	49		31-51-11	D00821	32					
004Z	24	PV	D00811	DED		31-51-11	D00821	REF					
5	24	PV	D00811	35		31-51-11	D00821	17					
005Z	24	PV	D00811	DED		31-51-11	D00821	REF					
6			SM00022		W	31-51-11	D00821	51					
7	24	PK	D00811	65		31-51-11	SM00022		W				
8	24	PK	D00819	37		31-51-11	SM00022		W				
9	24	PK	D00819	27		31-51-11	D00811	13					
009Z	24	PV	D00811	DED		31-51-11	D00819	REF					
01A	24	PK	D04349J	43		31-51-33	D01489	49				VR061-VR080	
10	24	PK	D00819	14		31-51-11	GDX0001	D..	2				

286T0045-200
Wire Bundle Assembly
Figure 102 (Sheet 1)

25-71-02



BOEING
COMPONENT
MAINTENANCE MANUAL

WIRE			FROM EQUIPMENT				TO EQUIPMENT				WIRE INFO		
NUMBER	GA	TYP	NUMBER	TERM	TT	WD REF	NUMBER	TERM	TT	EMC/ SEP	NOTE	EFFECTIVITY	
11	22	PA	D01433	51	W	31-51-11	SM00022		W				
12	24	PK	SM00018			31-51-11	D01433	27					
012Z	24	PV	SM00018	REF		31-51-11	D01433	REF					
13	24	PV	SM00047	REF	W	31-51-11	D01433	32					
013Z	24	PV	SM00047	REF		31-51-11	D01433	REF					
14	24	PV	SM00049	REF	W	31-51-11	D01433	17					
014Z	24	PV	SM00049	REF		31-51-11	D01433	REF					
15	22	PA	D01433	14	W	31-51-11	GDX0001	D..	2				
16	22	PA	SM00028			31-51-11	GDX0005	D..	2				
17	20	PA	GDX0002	S..	2	31-51-11	D00821	REF					
18	20	UA	GDX0005	S..	2	31-51-11	D00819	REF					
19	20	UA	D01433	REF	2	31-51-11	GDX0002	S..	2				
20	20	UA	GDX0005	D..	2	31-51-11	SM00029		W				
21	20	PA	GDX0002	S..	2	31-51-11	D01503	REF					
23	20	UA	D00815	REF		31-51-11	GDX0002	S..	2				
24	20	UA	D04349J	38		31-51-11	SM00005		W				
25	24	PK	D01503	A2		31-51-11	SM00005		W				
26	24	PK	D01503	A3		31-51-11	GDX0003	D..	2				
27	20	PA	D01503	X2		31-51-11	D00811	75					
027Z	22	PQ	D00811	DED		31-51-11	D01503	REF					
28	24	PV	D01503	X1		31-51-11	SM00015		W				
028Z	24	PV	SM00015	REF		31-51-11	D01503	REF					
29	24	PV	D00811	46		31-51-11	SM00015		W				
029Z	24	PV	SM00015	REF		31-51-11	D00811	DED					
30	24	PK	SM00015		W	31-51-11	D11553	35					
32	24	PK	D11553	11		31-51-11	GDX0003	D..	2				
33	20	PA	D11553	37		31-51-11	D00811	34					
34	24	PK	D11553	36		31-51-11	D00811	33					
35	24	PK	D00815	14		31-51-11	GDX0001	D..	2				
36	22	PA	D00815	27		31-51-11	D00811	12					
036Z	24	PV	D00811	DED		31-51-11	D00815	REF					
37	24	PV	D00815	32		31-51-11	D00811	17					

286T0045-200
Wire Bundle Assembly
Figure 102 (Sheet 2)

25-71-02

WIRE			FROM EQUIPMENT			TO EQUIPMENT			WIRE INFO			
NUMBER	GA	TYP	NUMBER	TERM	TT	WD REF	NUMBER	TERM	TT	EMC/ SEP	NOTE	EFFECTIVITY
037Z	24	PV	D00811	DED		31-51-11	D00815	REF				
38			D00815	17		31-51-11	D00811	22				
038Z	24	PV	D00811	DED		31-51-11	D00815	REF				
39			D00815	54		31-51-11	SM00020		W			
40	24	PK	D00811	63		31-51-11	SM00020		W			
41	24	PK	D00823	35		31-51-11	SM00020		W			
42	24	PK	D01381	35		31-51-11	SM00020		W			
45	24	PK	D01381	14		31-51-11	GDX0001	D..	2			
46	22	PA	D01381	48		31-51-11	GDX0003	D..	2			
47	22	PA	D01381	27		31-51-11	D00811	11				
047Z	24	PV	D00811	DED		31-51-11	D01381	REF				
48			D01381	32		31-51-11	D00811	16				
048Z	24	PV	D00811	DED		31-51-11	D01381	REF				
49			D01381	17		31-51-11	D00811	21				
049Z	24	PV	D00811	DED		31-51-11	D01381	REF				
52			D00823	14		31-51-11	GDX0001	D..	2			
53	22	PA	D00823	48		31-51-11	GDX0003	D..	2			
54	22	PA	D00823	27		31-51-11	D00811	10				
054Z	24	PV	D00811	DED		31-51-11	D00823	REF				
55			D00823	32		31-51-11	D00811	15				
055Z	24	PV	D00811	DED		31-51-11	D00823	REF				
56			D00823	17		31-51-11	D00811	20				
056Z	24	PV	D00811	DED		31-51-11	D00823	REF				
57			D00817	14		31-51-11	GDX0002	D..	2			
58	22	PA	D00817	27		31-51-11	D00811	51				
058Z	24	PV	D00811	DED		31-51-11	D00817	REF				
59			D00817	32		31-51-11	D00811	74				
059Z	24	PV	D00811	DED		31-51-11	D00817	REF				
60			D00817	45		31-51-11	SM00021		W			
61	24	PK	D00811	64		31-51-11	SM00021		W			
62	24	PK	D01489	16		31-51-11	SM00021		W			
63	24	PK	D01487	45		31-51-11	SM00021		W			

286T0045-200
Wire Bundle Assembly
Figure 102 (Sheet 3)

25-71-02



BOEING
COMPONENT
MAINTENANCE MANUAL

WIRE			FROM EQUIPMENT			TO EQUIPMENT			WIRE INFO			
NUMBER	GA	TYP	NUMBER	TERM	TT	WD REF	NUMBER	TERM	TT	EMC/SEP	NOTE	EFFECTIVITY
64	24	PK	D01487	27		31-51-11	D00811	47				
064Z	24	PV	D00811	DED		31-51-11	D01487	REF				
65			D01487	32		31-51-11	D00811	70				
065Z	24	PV	D00811	DED		31-51-11	D01487	REF				
66			D01487	14		31-51-11	GDX0003	D..	2			
67	22	PA	D01489	27		31-51-11	D00811	45				
067Z	24	PV	D00811	DED		31-51-11	D01489	REF				
68			D01489	32		31-51-11	D00811	50				
068Z	24	PV	D00811	DED		31-51-11	D01489	REF				
69			D01489	17		31-51-11	D00811	36				
069Z	24	PV	D00811	DED		31-51-11	D01489	REF				
70			D01489	14		31-51-11	GDX0003	D..	2			
71	22	PA	D01381	REF		31-51-11	GDX0002	S..	2			
72	20	UA	D00823	REF		31-51-11	GDX0002	S..	2			
73	20	UA	D00817	REF		31-51-11	GDX0002	S..	2			
74	20	UA	SM00026		W	31-51-11	GDX0005	D..	2			
75	20	PA	D01487	REF		31-51-11	GDX0005	S..	2			
76	20	UA	GDX0005	S..	2	31-51-11	D01489	REF				
77	20	UA	D02261	40		31-41-35	D04349J	1				
78	24	PK	SM00027		W	31-51-11	GDX0005	D..	2			
79	20	PA	D00813	60		31-51-11	GDX0005	S..	2			
80	22	PA	D00821	15		31-51-12	GDX0003	S..	2			
81	22	PA	D00821	30		31-51-12	GDX0002	D..	2			
081Z	24	PV	D00821	REF		31-51-12	D00813	26				
82			D00821	33		31-51-12	D00813	DED				
082Z	24	PV	D00821	REF		31-51-12	D00813	49				
83			D00821	24		31-51-12	D00813	DED				
083Z	24	PV	D00821	REF		31-51-12	D00813	35				
84			D00821	19		31-51-12	D00813	DED				
85	24	PK	D00813	65		31-51-12	SM00025		W			
86	24	PK	D00819	3		31-51-12	SM00025		W			
87	24	PK	D01433	18		31-51-12	SM00025		W			

286T0045-200
Wire Bundle Assembly
Figure 102 (Sheet 4)

25-71-02

TESTING & TROUBLE SHOOTING

01

Page 134I

Nov 01/02

WIRE			FROM EQUIPMENT			TO EQUIPMENT			WIRE INFO			
NUMBER	GA	TYP	NUMBER	TERM	TT	WD REF	NUMBER	TERM	TT	EMC/ SEP	NOTE	EFFECTIVITY
88	24	PK	D01433	15		31-51-12	GDX0002	D..	2			
89	22	PA	D01433	30		31-51-12	SM00054		W			
089Z	24	PV	SM00054	REF		31-51-12	D01433	REF				
90			D01433	33		31-51-12	SM00055		W			
090Z	24	PV	SM00055	REF		31-51-12	D01433	REF				
91			D01433	24		31-51-12	SM00056		W			
091Z	24	PV	SM00056	REF		31-51-12	D01433	REF				
92			D00819	15		31-51-12	GDX0002	D..	2			
93	22	PA	D00819	30		31-51-12	D00813	13				
093Z	24	PV	D00813	DED		31-51-12	D00819	REF				
94			SM00032		W	31-51-12	GDX0005	D..	2			
95	20	PA	D01505	X2		31-51-12	D00813	75				
095Z	24	PV	D00813	DED		31-51-12	D01505	REF				
96			D01505	X1		31-51-12	SM00016		W			
096Z	24	PV	SM00016	REF		31-51-12	D01505	REF				
97			D00813	46		31-51-12	SM00016		W			
097Z	24	PV	SM00016	REF		31-51-12	D00813	DED				
98			SM00033		W	31-51-12	GDX0005	D..	2			
99	20	PA	SM00016			31-51-12	D11553	25				
10A	24	PK	D04349J	23		31-51-33	D01489	21				
100	24	PK	D11553	1		31-51-12	GDX0003	D..	2			
101	20	PA	D00821	REF		31-51-12	GDX0004	S..	2			
102	20	UA	D00819	REF		31-51-12	GDX0004	S..	2			
103	20	UA	D01433	REF		31-51-12	GDX0004	S..	2			
104	20	UA	D01505	REF		31-51-12	GDX0005	S..	2			
106	20	UA	D00815	REF		31-51-12	GDX0004	S..	2			
107	20	UA	D01381	REF		31-51-12	GDX0004	S..	2			
109	20	UA	D00817	REF		31-51-12	GDX0004	S..	2			
110	20	UA	D01487	REF		31-51-12	GDX0001	S..	2			
111	20	UA	D01489	REF		31-51-12	GDX0001	S..	2			
112	20	UA	D00815	15		31-51-12	GDX0001	D..	2			
113	22	PA	D01505	A2		31-51-12	SM00005		W			

286T0045-200
Wire Bundle Assembly
Figure 102 (Sheet 5)

25-71-02



BOEING
COMPONENT
MAINTENANCE MANUAL

WIRE			FROM EQUIPMENT			TO EQUIPMENT			WIRE INFO			
NUMBER	GA	TYP	NUMBER	TERM	TT	WD REF	NUMBER	TERM	TT	EMC/ SEP	NOTE	EFFECTIVITY
114	24	PK	D01505	A3		31-51-12	GDX0003	D..	2			
116	20	PA	D00815	21		31-51-12	SM00023		W			
117	24	PK	D00813	63		31-51-12	SM00023		W			
118	24	PK	D00823	1		31-51-12	SM00023		W			
119	24	PK	D01381	1		31-51-12	SM00023		W			
120	24	PK	D01381	15		31-51-12	GDX0001	D..	2			
121	24	PK	D00817	56		31-51-12	SM00024		W			
122	22	PA	D00813	64		31-51-12	SM00024		W			
123	24	PK	D01487	56		31-51-12	SM00024		W			
124	24	PK	D00823	15		31-51-12	GDX0001	D..	2			
125	24	PK	D00823	REF		31-51-12	GDX0004	S..	2			
126	22	PA	D00823	33		31-51-12	D00813	15				
126Z	20	UA	D00823	REF		31-51-12	D00813	DED				
127	24	PV	D00823	24		31-51-12	D00813	20				
127Z			D00823	REF		31-51-12	D00813	DED				
128	24	PV	D00817	15		31-51-12	GDX0002	D..	2			
129			D00817	30		31-51-12	D00813	51				
129Z	22	PA	D00817	REF		31-51-12	D00813	DED				
130	24	PV	D00817	33		31-51-12	D00813	74				
130Z			D00817	REF		31-51-12	D00813	DED				
131	24	PV	D00813	11		31-51-12	D01381	30				
131Z			D01381	REF		31-51-12	D00813	DED				
132	24	PV	D00813	16		31-51-12	D01381	33				
132Z			D01381	REF		31-51-12	D00813	DED				
133	24	PV	D01381	24		31-51-12	D00813	21				
133Z			D01381	REF		31-51-12	D00813	DED				
134	24	PV	D01489	50		31-51-12	SM00024		W			
135			D01487	30		31-51-12	D00813	47				
135Z	24	PK	D01487	REF		31-51-12	D00813	DED				
136	24	PV	D01487	33		31-51-12	D00813	70				
136Z			D01487	REF		31-51-12	D00813	DED				
137	24	PV	D01487	15		31-51-12	GDX0003	D..	2			

286T0045-200
Wire Bundle Assembly
Figure 102 (Sheet 6)

25-71-02

WIRE			FROM EQUIPMENT				TO EQUIPMENT				WIRE INFO		
NUMBER	GA	TYP	NUMBER	TERM	TT	WD	REF	NUMBER	TERM	TT	EMC/ SEP	NOTE	EFFECTIVITY
138			D01489	30		31-51-12	D00813	45					
138Z	22	PA	D01489	REF		31-51-12	D00813	DED					
139	24	PV	D01489	33		31-51-12	D00813	50					
139Z			D01489	REF		31-51-12	D00813	DED					
140	24	PV	D01489	24		31-51-12	D00813	36					
140Z			D01489	REF		31-51-12	D00813	DED					
141	24	PV	D01489	15		31-51-12	GDX0003	D..	2				
142			D00813	33		31-51-12	D11553	26					
143	22	PA	D11553	27		31-51-12	D00813	34					
144	24	PK	D00813	12		31-51-12	D00815	30					
144Z	24	PK	D00813	DED		31-51-12	D00815	REF					
145	24	PV	SM00030		W	31-51-12	GDX0005	D..	2				
146			D00813	17		31-51-12	D00815	33					
146Z	20	PA	D00813	DED		31-51-12	D00815	REF					
147	24	PV	D00813	22		31-51-12	D00815	24					
147Z			D00813	DED		31-51-12	D00815	REF					
148	24	PV	D00813	10		31-51-12	D00823	30					
148Z			D00813	DED		31-51-12	D00823	REF					
149	24	PV	SM00031		W	31-51-12	GDX0005	D..	2				
150			D04301J	6		27-32-11	D00823	34					
151	20	PA	D04509J	1		27-32-11	D00823	39					
152	22	PA	D04347J	26		27-32-11	D00823	40					
153	24	PK	D00823	31		27-32-11	D04509J	6					
154	24	PK	D04509J	7		27-32-11	GDX0001	D..	2				
155	24	PK	SM00037		W	27-32-11	D04511J	3					
156	20	PA	D00823	38		27-32-11	D04511J	2					
157	24	PK	D04511J	4		27-32-11	SM00050		W				
158	24	PK	SM00037		W	27-32-11	D00823	4					
159	24	PK	D04349J	14		27-32-11	D00823	36					
160	24	PK	D04349J	15		27-32-11	D00823	3					
161	24	PK	D04349J	16		27-32-11	D00823	43					
162	24	PK	D04349J	10		27-32-11	D00823	2					

286T0045-200
Wire Bundle Assembly
Figure 102 (Sheet 7)

25-71-02



BOEING
COMPONENT
MAINTENANCE MANUAL

WIRE			FROM EQUIPMENT				TO EQUIPMENT				WIRE INFO		
NUMBER	GA	TYP	NUMBER	TERM	TT	WD REF	NUMBER	TERM	TT	EMC/ SEP	NOTE	EFFECTIVITY	
165	24	PK	D04349J	11		27-32-21	D01381	34					
166	24	PK	D01381	40		27-32-21	D04349J	6					
167	22	PA	D01381	31		27-32-21	D04511J	7					
168	24	PK	GDX0002	D..	2	27-32-21	D04511J	8					
169	24	PK	D04349J	34		27-32-21	D01381	36					
170	20	PA	D04349J	35		27-32-21	D01381	3					
171	24	PK	D04349J	36		27-32-21	D01381	43					
172	24	PK	D04349J	37		27-32-21	D01381	2					
173	24	PK	D04511J	13		27-32-21	D01381	4					
174	24	PK	D04511J	16		27-32-21	D01381	37					
175	24	PK	D04511J	15		27-32-21	D01381	38					
176	24	PK	D04509J	8		27-32-21	D01381	39	W				
177	24	PK	D00815	34		31-51-21	SM00057						
178	24	PK	D00815	43		31-51-21	D01433	19					
179	24	PK	D00815	10		31-51-21	D00819	5	W				
180	24	PK	D04507J	5		31-51-21	SM00034	66	W				
181	24	PK	SM00058		W	31-51-21	D00815						
182	24	PK	D00815	4		31-51-21	SM00034	39	W				
183	24	PK	D00815	11		31-51-21	D04349J		W				
184	24	PK	D00815	37		31-51-21	SM00035		W				
185	24	PK	D00815	42		31-51-21	SM00036		W				
186	22	PA	D04349J	5		31-51-21	SM00012		W				
187	22	PA	D00815	2		31-51-21	SM00012		W				
188	24	PK	SM00011		W	31-51-21	D04349J	4					
189	24	PK	SM00011		W	31-51-21	D00815	35			PAJ-F2		
190	24	PK	D04349J	12		31-51-21	SM00009		W				
191	24	PK	D00815	44		31-51-21	SM00009		W				
192	24	PK	D04347J	10		31-51-21	SM00008		W				
193	24	PK	D00815	1		31-51-21	SM00008		W				
194	24	PK	D04347J	11		31-51-21	SM00010		W				
195	24	PK	D00815	36		31-51-21	SM00010		W				
196	24	PK	SM00039		W	31-51-21	D04347J	21					

286T0045-200
Wire Bundle Assembly
Figure 102 (Sheet 8)

25-71-02

WIRE			FROM EQUIPMENT				TO EQUIPMENT				WIRE INFO		
NUMBER	GA	TYP	NUMBER	TERM	TT	WD	REF	NUMBER	TERM	TT	EMC/ SEP	NOTE	EFFECTIVITY
197	24	PK	D00815	45		31-51-21	SM00039	SM00039		W			
198	24	PK	D00815	46		31-51-21	D04347J	D04347J	6				
199	24	PK	GDX0004	S..	2	31-51-31	D04597J	D04597J	14				
201B	24	PK	D01489	43		31-51-33	SM00004	SM00004		W			
201R	20	PA	D01489	9		31-51-33	SM00003	SM00003	REF	W			
201Z	24	PW	D01489	DED		27-32-11	GDX0004	GDX0004	S..	2			
204	24	PW	D04507J	REF		27-32-11	D04507J	D04507J	12				
204B			D00823	18		27-32-11	D04507J	D04507J	11				
204R	20	UA	D00823	16		27-32-11	D04507J	D04507J	REF				
204Z	24	PW	D00823	DED		27-32-11	SM00007	SM00007		W			
205B	24	PW	D00815	19		31-51-21	SM00006	SM00006		W			
205R	24	PW	D00815	52		31-51-21	SM00006	SM00006	REF				
205Z	24	PW	D00815	DED		31-51-21	SM00006	SM00006	S..	2			
207	24	PW	D04597J	REF		31-51-21	GDX0004	GDX0004	S..				
207B			SM00007		W	31-51-21	D04597J	D04597J	4				
207R	20	UA	SM00006		W	31-51-21	D04597J	D04597J	3				
207Z	24	PW	SM00006	REF		31-51-21	D04597J	D04597J	REF				
208	24	PW	D04301J	REF		34-16-11	GDX0002	GDX0002	S..	2			
208B			D00821	36		34-16-11	D04301J	D04301J	9				
208R	20	UA	D00821	2		34-16-11	D04301J	D04301J	8				
208Z	24	PW	D00821	DED		34-16-11	D04301J	D04301J	REF				
209B	24	PW	D01489	46		31-51-33	SM00007	SM00007		W			
209R	24	PW	D01489	12		31-51-33	SM00006	SM00006		W			
209Z	24	PW	D01489	DED		31-51-33	SM00006	SM00006	REF				
212B	24	PW	D01433	36		31-51-42	SM00007	SM00007		W			
212R	24	PW	D01433	2		31-51-42	SM00006	SM00006		W			
212Z	24	PW	D01433	DED		31-51-42	SM00006	SM00006	REF				
213	24	PW	D04507J	REF		34-16-11	GDX0004	GDX0004	S..	2			
213B			D00821	35		34-16-11	D04507J	D04507J	8				
213R	20	UA	D00821	1		34-16-11	D04507J	D04507J	9				
213Z	24	PW	D00821	DED		34-16-11	D04507J	D04507J	REF				
214	24	PW	D04349J	REF		34-16-11	GDX0004	GDX0004	S..	2			

286T0045-200
Wire Bundle Assembly
Figure 102 (Sheet 9)

25-71-02



BOEING
COMPONENT
MAINTENANCE MANUAL

WIRE			FROM EQUIPMENT				TO EQUIPMENT				WIRE INFO		
NUMBER	GA	TYP	NUMBER	TERM	TT	WD	REF	NUMBER	TERM	TT	EMC/ SEP	NOTE	EFFECTIVITY
214B			D00821	37		34-16-11		D04349J	19				
214R	20	UA	D00821	3		34-16-11		D04349J	18				
214Z	24	PW	D00821	DED		34-16-11		D04349J	REF				
215B	24	PW	D01487	24		31-51-31		D04597J	12				
215R			D01487	23		31-51-31		D04597J	13				
216B	24	PL	D00817	24		31-51-32		D04303J	12				
216R	24	PL	D00817	23		31-51-32		D04303J	11				
221B	24	PL	D01489	45		31-51-33		SM00004		W			
221R	24	PL	D01489	11		31-51-33		SM00003		W			
221Z	24	PW	D01489	DED		31-51-33		SM00003	REF				
223B	24	PW	D00821	38		34-16-11		SM00004		W			
223R			D00821	4		34-16-11		SM00003		W			
223Z	24	PW	D00821	DED		34-16-11		SM00003	REF				
224	24	PW	D04349J	REF		27-32-21		GDX0004	S..	2			
224B			D04349J	28		27-32-21		D01381	18				
224R	20	UA	D04349J	27		27-32-21		D01381	16				
224Z	24	PW	D04349J	REF		27-32-21		D01381	DED				
225B	24	PW	D00811	69		31-51-11		SM00060		W			
225R			D00811	68		31-51-11		SM00060		W			
225Z	22	PR	D00811	DED		31-51-11		SM00028	REF				
226B	22	PR	D00813	69		31-51-12		SM00061		W			
226R			D00813	68		31-51-12		SM00061		W			
226Z	22	PR	D00813	DED		31-51-12		SM00030	REF				
230	22	PR	D04347J	REF		31-51-33		GDX0003	S..	2			
230B			D04347J	18		31-51-33		SM00004		W			
230R	20	UA	D04347J	17		31-51-33		SM00003		W			
230Z	24	PW	D04347J	REF		31-51-33		SM00003	REF				
236	24	PW	D04347J	REF		27-32-11		GDX0001	S..	2			
236B			D04347J	37		27-32-11		D00823	54				
236R	20	UA	D04347J	36		27-32-11		D00823	23				
236Z	24	PW	D04347J	REF		27-32-11		D00823	DED				
237B	24	PW	D04347J	40		27-32-11		D00823	13				

286T0045-200
Wire Bundle Assembly
Figure 102 (Sheet 10)

25-71-02

TESTING & TROUBLE SHOOTING

01

Page 1340

Nov 01/02

WIRE			FROM EQUIPMENT			TO EQUIPMENT			WIRE INFO				
NUMBER	GA	TYP	NUMBER	TERM	TT	WD	REF	NUMBER	TERM	TT	EMC/ SEP	NOTE	EFFECTIVITY
237R			D04347J	39		27-32-11		D00823	12				
237Z	24	PW	D04347J	REF		27-32-11		D00823	DED				
238	24	PW	D04349J	REF		27-32-21		GDX0001	S..	2			
238B			D04349J	49		27-32-21		D01381	54				
238R	20	UA	D04349J	48		27-32-21		D01381	23				
238Z	24	PW	D04349J	REF		27-32-21		D01381	DED				
239B	24	PW	D01381	20		27-32-21		D04349J	55				
239R			D01381	19		27-32-21		D04349J	54				
239Z	24	PW	D01381	DED		27-32-21		D04349J	REF				
240B	24	PW	D04347J	23		31-51-31		SM00080		W			
240R			D04347J	22		31-51-31		SM00042		W			
241B	24	PL	D01487	60		31-51-31		SM00080		W			
241R	24	PL	D01487	28		31-51-31		SM00042		W			
242B	24	PL	D00817	60		31-51-32		SM00080		W			
242R	24	PL	D00817	28		31-51-32		SM00042		W			
243B	24	PL	D04349J	52		27-32-21		D01381	13				
243R	24	PL	D04349J	51		27-32-21		D01381	12				
243Z	24	PW	D04349J	REF		27-32-21		D01381	DED				
245B	24	PW	D00823	20		27-32-11		D04347J	48				
245R			D00823	19		27-32-11		D04347J	47				
245Z	24	PW	D00823	DED		27-32-11		D04347J	REF				
247	24	PW	D04349J	REF		31-41-35		GDX0006	S..	2			
247B			D02261	42		31-41-35		D04349J	57				
247R	20	UA	D02261	43		31-41-35		D04349J	56				
247Z	24	PW	D02261	DED		31-41-35		D04349J	REF				
248	24	PW	D04349J	REF		28-41-11		GDX0006	S..	2			
248B			D02261	5		28-41-11		D04349J	60				
248R	20	UA	D02261	8		28-41-11		D04349J	59				
248Z	24	PW	D02261	DED		28-41-11		D04349J	REF				
271B	24	PW	D04597J	5		31-51-31		SM00088		W			
271R			D04597J	2		31-51-31		SM00087		W			
272B	24	PL	D01487	63		31-51-31		SM00088		W			

286T0045-200
Wire Bundle Assembly
Figure 102 (Sheet 11)

25-71-02



BOEING
COMPONENT
MAINTENANCE MANUAL

WIRE			FROM EQUIPMENT				TO EQUIPMENT				WIRE INFO		
NUMBER	GA	TYP	NUMBER	TERM	TT	WD REF	NUMBER	TERM	TT	EMC/SEP	NOTE	EFFECTIVITY	
272R	24	PL	D01487	62		31-51-31	SM00087	W					
273B	24	PL	D00817	63		31-51-32	SM00088	W					
273R	24	PL	D00817	62		31-51-32	SM00087	W					
278	24	PL	D04597J	11		31-51-41	SM00095	W					
279	24	PL	D00819	21		31-51-41	SM00095	W					
280	24	PW	SM00093		W	31-51-41	D00819	20					
281	24	PW	D01489	44		31-51-33	GDX0003	D..	2				
282			SM00093		W	31-51-33	D01489	10					
290B	24	PW	D04597J	8		34-43-15	SM00104	W					
290R	24	PW	D04597J	7		34-43-15	SM00103	W					
290Z			D04597J	9		34-43-15	SM00103	REF					
291B	24	PW	D04303J	4		34-43-15	SM00104	W					
291R	24	PW	D04303J	3		34-43-15	SM00103	W					
291Z			D04303J	5		34-43-15	SM00103	REF					
292B	20	UA	D04347J	53		34-43-15	SM00104	W					
292R	22	PS	D04347J	51		34-43-15	SM00103	W					
292Z	22	PS	D04347J	61		34-43-15	SM00103	REF					
301	22	PS	SM00028	REF		31-51-11	GDX0005	S..	2				
301B			D00811	57		31-51-11	SM00028	W					
301R	22	PS	D00811	38		31-51-11	SM00028	W					
301Y	22	PS	D00811	58		31-51-11	SM00028	W					
301Z	22	PS	D00811	DED		31-51-11	SM00028	REF					
302B			D00811	42		31-51-11	SM00029	W					
302R	22	PS	D00811	41		31-51-11	SM00029	W					
302Y	22	PS	D00811	43		31-51-11	SM00029	W					
302Z	22	PS	D00811	DED		31-51-11	SM00028	REF					
303B			D00811	8		31-51-11	SM00026	W					
303R	22	PS	D00811	7		31-51-11	SM00026	W					
303Y	22	PS	D00811	9		31-51-11	SM00026	W					
303Z	22	PS	D00811	DED		31-51-11	SM00028	REF					
304B			D00811	25		31-51-11	SM00027	W					
304R	20	UA	D00811	24		31-51-11	SM00027	W					

286T0045-200
Wire Bundle Assembly
Figure 102 (Sheet 12)

25-71-02

WIRE			FROM EQUIPMENT			TO EQUIPMENT			WIRE INFO				
NUMBER	GA	TYP	NUMBER	TERM	TT	WD	REF	NUMBER	TERM	TT	EMC/ SEP	NOTE	EFFECTIVITY
304Y	22	PS	D00811	37		31-51-11		SM00027		W			
304Z	22	PS	D00811	DED		31-51-11		SM00028	REF				
305	22	PS	SM00030	REF		31-51-12		GDX0005	S..	2			
305B	22	PS	D00813	8		31-51-12		SM00030		W			
305R	22	PS	D00813	7		31-51-12		SM00030		W			
305Y	22	PS	D00813	9		31-51-12		SM00030		W			
305Z	22	PS	D00813	DED		31-51-12		SM00030	REF				
306B	22	PS	D00813	25		31-51-12		SM00031		W			
306R	22	PS	D00813	24		31-51-12		SM00031		W			
306Y	22	PS	D00813	37		31-51-12		SM00031		W			
306Z	22	PS	D00813	DED		31-51-12		SM00030	REF				
307B	22	PS	D00813	57		31-51-12		SM00032		W			
307R	22	PS	D00813	38		31-51-12		SM00032		W			
307Y	22	PS	D00813	58		31-51-12		SM00032		W			
307Z	22	PS	D00813	DED		31-51-12		SM00030	REF				
308B	24	PK	D00813	42		31-51-12		SM00033		W			
308R	24	PK	D00813	41		31-51-12		SM00033		W			
308Y	20	PA	D00813	43		31-51-12		SM00033		W			
308Z	20	PA	D00813	DED		31-51-12		SM00030	REF				
512	24	PV	D02261	20		27-81-31		D04349J	8				
601			SM00060		W	31-51-11		GDX0004	D..	2			
602	24	PV	SM00061		W	31-51-12		GDX0005	D..	2			
603			D04301J	5		31-51-12		M01103	INE	D			
603Z	24	PV	D04301J	DED		31-51-12		M01103					
604	24	PV	D04301J	4		31-51-12		D00813	4				
604Z	24	PV	D04301J	DED		31-51-12		D00813	REF				
605	24	PV	D00813	1		31-51-12		M01103	OAD	D			
605Z	24	PV	D00813	REF		31-51-12		M01103	DED				
606	24	PV	D04349J	32		31-51-11		M01102	INE	D			
606Z	24	PV	D04349J	DED		31-51-11		M01102					
607	24	PK	D04349J	33		31-51-11		D00811	4				
607Z	24	PK	D04349J	DED		31-51-11		D00811	REF				

286T0045-200
Wire Bundle Assembly
Figure 102 (Sheet 13)

25-71-02



BOEING
COMPONENT
MAINTENANCE MANUAL

WIRE			FROM EQUIPMENT				TO EQUIPMENT				WIRE INFO		
NUMBER	GA	TYP	NUMBER	TERM	TT	WD REF	NUMBER	TERM	TT	EMC/ SEP	NOTE	EFFECTIVITY	
608	24	PK	D00811	1		31-51-11	M01102	OAD	D				
608Z	24	PK	D00811	REF		31-51-11	M01102	DED					
610	24	PK	D00823	37		27-32-11	SM00050		W				
611	24	PK	D01433	6		31-51-42	D04347J	20					
612	24	PK	D01433	4		31-51-42	SM00050		W				
613	24	PK	D04349J	30		31-51-31	SM00065		W				
614	24	PK	D01487	52		31-51-31	SM00065		W				
615	24	PK	D00817	52		31-51-32	SM00065		W				
617	24	PK	D01381	11		27-32-12	D00823	56					
618	24	PK	D01381	56		27-32-12	D00823	11					
619	24	PK	D00823	45		27-32-12	SM00082		W				
620	24	PK	D04349J	29		31-51-21	SM00071		W				
621	24	PK	D00815	7		31-51-21	SM00071		W				
622	24	PK	D01489	2		31-51-33	SM00071		W				
623	22	PA	D01489	36		31-51-33	SM00038		W				
624	22	PA	D00815	8		31-51-21	SM00045		W				
625	22	PA	D01487	9		31-51-31	SM00034		W				
631	24	PK	D00817	9		31-51-32	SM00034		W				
644	22	PA	D00823	66		27-32-31	D04347J	42					
644Z	22	PA	D00823	DED		27-32-31	D04347J	DED					
646	22	PA	D01381	66		27-32-31	D04349J	42					
646Z	22	PQ	D01381	DED		27-32-31	D04349J	DED					
648	22	PQ	D00821	40		34-16-11	D04347J	32					
649	22	PQ	SM00038		W	34-16-11	D04347J	33					
681	24	PV	D01433	10		31-51-43	D04507J	10					
682	24	PV	D01433	13		31-51-43	D04347J	46					
683	24	PV	D01433	41		31-51-43	SM00081		W				
684	24	PV	GDX0001	D..	2	31-51-43	D04349J	47					
685	24	PV	D00823	58		27-32-12	D01505	A1					
686	24	PV	D00823	8		27-32-11	SM00038		W				
687	24	PV	D00823	64		27-32-11	SM00081		W				
688	24	PV	D01381	58		27-32-22	D01503	A1					

286T0045-200
Wire Bundle Assembly
Figure 102 (Sheet 14)

25-71-02

WIRE			FROM EQUIPMENT			TO EQUIPMENT			WIRE INFO			
NUMBER	GA	TYP	NUMBER	TERM	TT	WD REF	NUMBER	TERM	TT	EMC/ SEP	NOTE	EFFECTIVITY
689			D01381	45		27-32-22	SM00085		W			
692	24	PK	D01381	8		27-32-21	SM00038		W			
693	22	PA	D04347J	30		31-51-21	D00815	6				
694	24	PV	D04349J	46		31-51-43	SM00081		W			
696			GDX0003	D..	2	27-32-12	SM00082		W			
697	24	PV	GDX0003	D..	2	27-32-22	SM00085		W			
701			D00815	49		31-51-21	D00815	22				
702	20	UA	D00815	16		31-51-21	D00815	48				
703	24	PK	D00819	6		31-51-41	SM00019		W			
704	22	PA	SM00075		W	31-51-41	D04511J	14				
705	24	PV	D00819	45		31-51-41	D04511J	12				
706			D00819	10		31-51-41	D04349J	31				
707	24	PV	SM00095		W	31-51-41	D04509J	4				
708			D00819	9		31-51-41	D04349J	7				
709	24	PV	D00819	39		31-51-41	SM00044		W			
710			D00819	43		31-51-41	SM00037		W			
711	24	PV	D00819	12		31-51-41	D04349J	21				
712			D00819	53		31-51-41	D04349J	3				
713	24	PK	SM00093		W	31-51-41	D04347J	9				
714	22	PA	D00819	44		31-51-41	D04349J	24				
715	24	PV	D04507J	6		31-51-42	SM00019		W			
716			D01433	34		31-51-42	SM00019		W			
717	24	PV	D01433	37		31-51-42	SM00034		W			
718			D01433	39		31-51-42	D04509J	2				
720	20	UA	D01433	52		31-51-42	SM00040		W			
721	24	PK	D01433	38		31-51-42	D04347J	24				
722	22	PA	D01433	5		31-51-42	D04349J	22				
723	24	PK	D04511J	11		31-51-42	SM00038		W			
724	24	PK	D01433	40		31-51-42	SM00038		W			
725	22	PA	D01433	3		31-51-42	D04347J	13				
726	20	PA	D04347J	14		31-51-21	SM00036		W			
727	24	PK	D04301J	11		31-51-21	SM00035		W			

286T0045-200
Wire Bundle Assembly
Figure 102 (Sheet 15)

25-71-02



BOEING
COMPONENT
MAINTENANCE MANUAL

WIRE			FROM EQUIPMENT				TO EQUIPMENT				WIRE INFO		
NUMBER	GA	TYP	NUMBER	TERM	TT	WD REF	NUMBER	TERM	TT	EMC/ SEP	NOTE	EFFECTIVITY	
728	24	PK	D04347J	1		31-51-41	D00819	35					
729	24	PK	D04347J	2		31-51-41	D00819	1					
730	24	PK	D04347J	3		31-51-41	D00819	36					
731	24	PK	D04347J	4		31-51-41	D00819	2					
732	24	PK	D04347J	5		31-51-42	D01433	20					
733	24	PK	D04347J	16		34-16-11	D00821	65	W				
734	22	PA	D04347J	8		31-51-31	SM00046						
735	20	PA	D04507J	7		34-16-11	D00821	34					
736	20	PA	D04507J	2		34-16-11	D00821	66					
737	24	PK	SM00041		W	34-16-11	D00821	31					
738	24	PK	D04347J	19		34-16-11	D00821	7					
739	24	PK	SM00075		W	34-16-11	D00821	6					
741	24	PK	D00821	18		34-16-11	D00821	22					
742	24	PK	D00821	50		34-16-11	D00821	48					
746	24	PK	D04597J	10		31-51-31	SM00043		W				
747	24	PK	D01487	46		31-51-31	SM00043		W				
748	24	PK	D04347J	7		31-51-31	SM00045		W				
749	24	PK	D01487	10		31-51-31	SM00045		W				
750	24	PK	D01487	19		31-51-31	SM00046		W				
751	24	PK	D01487	13		31-51-31	SM00040		W				
752	24	PK	D01487	47		31-51-31	SM00044		W				
753	24	PK	D01487	51		31-51-31	SM00041		W				
755	24	PK	D01487	1		31-51-31	SM00035		W				
755Z	24	PK	D01487	DED		31-51-31	SM00035	DED					
756	24	PK	D01487	50		31-51-31	SM00036		W				
757	24	PK	D01487	11		31-51-31	SM00039		W		PAJ-F2		
758	24	PK	D01487	22		31-51-31	D01489	23					
759	24	PK	D01487	55		31-51-31	D01489	47					
760	24	PK	D01487	34		31-51-31	D01489	51					
761	24	PK	D01487	66		31-51-31	D01489	57					
762	24	PK	D00817	10		31-51-32	SM00045		W				
763	24	PK	D00817	46		31-51-32	SM00043		W				

286T0045-200
Wire Bundle Assembly
Figure 102 (Sheet 16)

25-71-02

TESTING & TROUBLE SHOOTING

01

Page 134U

Nov 01/02

WIRE			FROM EQUIPMENT			TO EQUIPMENT			WIRE INFO			
NUMBER	GA	TYP	NUMBER	TERM	TT	WD REF	NUMBER	TERM	TT	EMC/ SEP	NOTE	EFFECTIVITY
764	24	PK	D00817	1		31-51-32	SM00035		W			
764Z	22	PA	D00817	DED		31-51-32	SM00035	DED				
765	22	PA	D00817	50		31-51-32	SM00036		W			
766	24	PK	D00817	11		31-51-32	SM00053		W			
766Z	24	PK	D00817	DED		31-51-32	SM00053	DED				
767	24	PK	D00817	19		31-51-32	SM00046		W			
768	24	PK	D00817	13		31-51-32	SM00040		W			
769	24	PK	D00817	47		31-51-32	SM00044		W			
770	24	PK	D00817	51		31-51-32	SM00041		W			
772	24	PK	D00817	22		31-51-32	D01489	54				
773	24	PK	D00817	55		31-51-32	D01489	13				
774	24	PK	D00817	34		31-51-32	D01489	25				
775	24	PK	D00817	66		31-51-32	D01489	58				
776	24	PK	D01489	42		31-51-33	D04347J	15				
777	24	PK	D01489	8		31-51-33	D04349J	13				
779	24	PK	D01489	35		31-51-33	D04349J	40				
780	24	PK	D01489	53		31-51-33	D04349J	2				
781	24	PK	D01489	31		31-51-33	D01489	48				
782	24	PK	D01489	18		31-51-33	D01489	22				
783	24	PK	D01489	38		31-51-33	SM00008		W			
784	24	PK	D01489	4		31-51-33	SM00011		W			
785	24	PK	D01489	37		31-51-33	SM00012		W			
786	24	PK	D01489	3		31-51-33	SM00010		W			
787	24	PK	D01489	1		31-51-33	SM00009		W			
788	24	PK	D01489	6		31-51-33	SM00034		W			
789	24	PK	D01489	41		31-51-33	D04509J	11				
791	24	PV	D01489	7		31-51-33	D04509J	10				
792	24	PK	D01489	40		31-51-33	D04509J	9				
793	24	PK	D00819	11		31-51-41	SM00075		W			
794	24	PK	D04303J	10		31-51-32	GDX0004	S..	2			
795	24	PK	D01433	9		31-51-42	D01433	48				
796	24	PK	D01433	22		31-51-42	D01433	50				

VS307-VS307
VS308-VS315 VS561-VS570

286T0045-200
Wire Bundle Assembly
Figure 102 (Sheet 17)

25-71-02



BOEING
COMPONENT
MAINTENANCE MANUAL

WIRE			FROM EQUIPMENT				TO EQUIPMENT				WIRE INFO		
NUMBER	GA.	TYP	NUMBER	TERM	TT	WD REF	NUMBER	TERM	TT	EMC/SEP	NOTE	EFFECTIVITY	
797	24	PK	D00815	41		31-51-21	SM00053	W					
797Z	24	PK	D00815	DED		31-51-21	SM00053	DED					
798	24	PK	D04349J	9		31-51-21	SM00053	W					
798Z	24	PK	D04349J	DED		31-51-21	SM00053	DED					
817	24	PK	D00823	55		27-32-12	D11553	6					
818	24	PV	D00823	21		27-32-12	D11553	4					
819	24	PK	D00823	51		27-32-12	D11553	3					
820	24	PK	D00823	50		27-32-12	D11553	2					
821	24	PV	D00823	49		27-32-12	D11553	7					
822	24	PV	D00823	47		27-32-12	D11553	8					
823	24	PK	D00823	46		27-32-12	D11553	9					
824	24	PK	D00823	53		27-32-12	D11553	5					
825	24	PK	D00823	62		27-32-12	D11553	24					
826	24	PK	D01381	55		27-32-22	D11553	16					
827	24	PK	D01381	21		27-32-22	D11553	14					
828	24	PK	D01381	51		27-32-22	D11553	13					
829	24	PK	D01381	50		27-32-22	D11553	12					
830	24	PK	D01381	49		27-32-22	D11553	17					
831	24	PK	D01381	47		27-32-22	D11553	18					
832	24	PK	D01381	46		27-32-22	D11553	19					
833	24	PK	D01381	53		27-32-22	D11553	15					
834	24	PK	D01381	62		27-32-22	D11553	34					
835	24	PK	D04349J	50		27-32-21	D01381	64					
836	24	PK	D04349J	53		27-32-21	GDX0002	S..	2				
839	24	PK	D00823	9		27-32-12	SM00082	W					
840	24	PK	D01381	9		27-32-22	SM00085	W					
842	24	PK	D01381	6		27-32-22	SM00085	W					
843	24	PK	D00823	6		27-32-12	SM00082	W					
862	24	PK	D02261	30		31-41-35	GDX0006	S..	2				
863	24	PK	D02261	32		31-41-35	GDX0006	S..	2				
864	24	PK	D02261	33		31-41-35	GDX0006	S..	2				
865	24	PK	D02261	64		31-41-35	GDX0006	S..	2				

286T0045-200
Wire Bundle Assembly
Figure 102 (Sheet 18)

25-71-02

TESTING & TROUBLE SHOOTING

01

Page 134W

Nov 01/02

WIRE			FROM EQUIPMENT				TO EQUIPMENT				WIRE INFO		
NUMBER	GA	TYP	NUMBER	TERM	TT	WD REF	NUMBER	TERM	TT	EMC / SEP	NOTE	EFFECTIVITY	
866	24	PK	D02261	27		31-51-11	SM00018		W				
866Z	24	PK	D02261	DED		31-51-11	SM00018	REF					
867	24	PK	D02261	28		31-51-11	SM00047	REF	W				
867Z	20	PA	D02261	DED		31-51-11	SM00047	REF					
868	24	PK	D02261	29		31-51-12	SM00054	REF	W				
868Z	24	PK	D02261	DED		31-51-12	SM00054	REF					
869	24	PV	D02261	34		31-51-12	SM00025	REF	W				
870			D02261	56		31-51-12	GDX0001	S..	2				
871	24	PV	D02261	57		31-51-12	GDX0003	S..	2				
872			D02261	59		31-51-11	GDX0005	S..	2				
873	24	PK	D02261	60		31-51-12	SM00055	REF	W				
873Z	24	PK	D02261	DED		31-51-12	SM00055	REF					
874	24	PK	D02261	62		31-51-11	SM00049	REF	W				
874Z	24	PK	D02261	DED		31-51-11	SM00049	REF					
875	24	PK	D02261	63		31-51-12	SM00056	REF	W				
875Z	24	PK	D02261	DED		31-51-12	SM00056	REF					
876	24	PK	D02261	65		31-51-11	SM00022	REF	W				
877	24	PK	D00811	14		31-51-11	SM00018	REF	W				
877Z	24	PK	D00811	DED		31-51-11	SM00018	REF					
878	24	PK	D00811	48		31-51-11	SM00047	REF	W				
878Z	24	PK	D00811	DED		31-51-11	SM00047	REF					
879	24	PK	D00811	23		31-51-11	SM00049	REF	W				
879Z	24	PK	D00811	DED		31-51-11	SM00049	REF					
880	24	PK	D00813	14		31-51-12	SM00054	REF	W				
880Z	24	PK	D00813	DED		31-51-12	SM00054	REF					
881	24	PK	D00813	48		31-51-12	SM00055	REF	W				
881Z	24	PK	D00813	DED		31-51-12	SM00055	REF					
882	24	PK	D00813	23		31-51-12	SM00056	REF	W				
882Z	24	PK	D00813	DED		31-51-12	SM00056	REF					
883	20	PA	D02261	15		38-32-11	D04349J	REF	26				
884	24	PK	D02261	47		38-32-11	D04347J	REF	27				
885	24	PK	D04303J	9		31-51-21	SM00057	REF	W				

PAJ-F2

286T0045-200
Wire Bundle Assembly
Figure 102 (Sheet 19)

25-71-02

BOEING
 COMPONENT
 MAINTENANCE MANUAL

WIRE			FROM EQUIPMENT				TO EQUIPMENT				WIRE INFO		
NUMBER	GA	TYP	NUMBER	TERM	TT	WD REF	NUMBER	TERM	TT	EMC/SEP	NOTE	EFFECTIVITY	
886	24	PK	D04507J	3		31-51-21	SM0058		W				
887	24	PK	D04507J	1		31-51-21	SM0058		W				
888	22	PA	SM00057		W	31-51-21	D04349J	44					

286T0045-200
 Wire Bundle Assembly
 Figure 102 (Sheet 20)

25-71-02

TESTING & TROUBLE SHOOTING
 01 Page 134Y
 Nov 01/02

WIRE			FROM EQUIPMENT				TO EQUIPMENT				WIRE INFO			
NUMBER	GA	TYP	NUMBER	TERM	TT	WDM REF	NUMBER	TERM	TT	EMC/ SEP	FT	NOTE	EFFECTIVITY	
FRA			M01103			31-51-12	M01103	GND	D	N2				
FRB			D00813			31-51-12	D00813	59		N2				
FRC			M01102			31-51-11	M01102	GND	D	N2				
FRD			D00811			31-51-11	D00811	59		N2				
FRG			D04349J	58		31-41-35	D04349J			N2				
FRH			D04349J	61		28-41-11	D04349J			N2				
PA1			D00815	47		99-99-99	D00815	63		N2		DAW-B2		
PA2			D00817	8		99-99-99	D00817	57		N2		DAW-B2		
PA3			D00819	41		99-99-99	D00819	55		N2		DAW-B2		
PA4			D00821	43		99-99-99	D00821	60		N2		DAW-B2		
PA5			D00823	52		99-99-99	D00823	65		N2		DAW-B2		
PA6			D01433	44		99-99-99	D01433	61		N2		DAW-B2		
PA7			D01381	52		99-99-99	D01381	65		N2		DAW-B2		
PA8			D01487	8		99-99-99	D01487	57		N2		DAW-B2		
PA9			D01489	56		99-99-99	D01489	65		N2		DAW-B2		
PB1			D01739	7		99-99-99	D01739	62		N2		DAW-B2		
PB2			D01741	7		99-99-99	D01741	62		N2		DAW-B2		
PB4			D02361	54		99-99-99	D02361	61		N2		DAW-B2		
P01		SE	D11553							N2				
1	22	PA	D00811	60		31-51-11	GDX0001	S..	2	N2				
2	22	PA	D00821	14		31-51-11	GDX0002	D..	2	N2				
3	24	PV	SM00068		W	31-51-11	D00821	27		N2				
003Z			SM00068	REF		31-51-11	D00821			N2				
4	24	PV	SM00069		W	31-51-11	D00821	32		N2				
004Z			SM00069	REF		31-51-11	D00821			N2				
5	24	PV	D00811	35		31-51-11	D00821	17		N2				
005Z			D00811	DED		31-51-11	D00821			N2				
6	24	PK	SM00022		W	31-51-11	D00821	51		N2				
7	24	PK	D00811	65		31-51-11	SM00022		W	N2				
8	24	PK	D00819	37		31-51-11	SM00022		W	N2				
9	24	PV	D00819	27		31-51-11	D00811	13		N2				
009Z			D00811	DED		31-51-11	D00819			N2				

VS307-VS315 VS561-VS570

286T0045-300
Wire Bundle Assembly
Figure 103 (Sheet 1)

25-71-02



BOEING
COMPONENT
MAINTENANCE MANUAL

WIRE			FROM EQUIPMENT				TO EQUIPMENT				WIRE INFO			
NUMBER	GA	TYP	NUMBER	TERM	TT	WDM REF	NUMBER	TERM	TT	EMC/SEP	FT	NOTE	EFFECTIVITY	
01A	24	PK	D04349J	43		31-51-33	D01489	49		N2	2		VS311-VS315 VS561-VS570	
10	22	PA	D00819	14		31-51-11	GDX0001	D..	2	N2	2			
11	24	PK	D01433	51		31-51-11	SM00022		W	N2	1			
12	24	PV	SM00018		W	31-51-11	D01433	27		N2	1			
012Z			SM00018	REF		31-51-11	D01433			N2				
13	24	PV	SM00047		W	31-51-11	D01433	32		N2	1			
013Z			SM00047	REF		31-51-11	D01433			N2				
14	24	PV	SM00049		W	31-51-11	D01433	17		N2	1			
014Z			SM00049	REF		31-51-11	D01433			N2				
15	22	PA	D01433	14		31-51-11	GDX0001	D..	2	N2	2			
16	20	PA	SM00028		W	31-51-11	GDX0005	D..	2	N2	2			
17	20	UA	GDX0002	S..	2	31-51-11	D00821			N2	2			
18	20	UA	GDX0005	S..	2	31-51-11	D00819			N2	2			
19	20	UA	D01433			31-51-11	GDX0002	S..	2	N2	2			
20	20	PA	GDX0005	D..	2	31-51-11	SM00029		W	N2	2			
21	20	UA	GDX0002	S..	2	31-51-11	D01503			N2	2			
23	20	UA	D00815			31-51-11	GDX0002	S..	2	N2	2			
24	24	PK	D04349J	38		31-51-11	SM00005		W	N2	1			
25	24	PK	D01503	A2		31-51-11	SM00005		W	N2	1			
26	20	PA	D01503	A3		31-51-11	GDX0003	D..	2	N2	2			
27	22	PQ	D01503	X2		31-51-11	D00811	75		N2	4			
027Z			D00811	DED		31-51-11	D01503			N2				
28	24	PV	D01503	X1		31-51-11	SM00015		W	N2	1			
028Z			SM00015	REF		31-51-11	D01503			N2				
29	24	PV	D00811	46		31-51-11	SM00015		W	N2	2			
029Z			SM00015	REF		31-51-11	D00811	DED		N2				
30	24	PK	SM00015		W	31-51-11	D11553	35		N2	1			
32	20	PA	D11553	11		31-51-11	GDX0003	D..	2	N2	2			
33	24	PK	D11553	37		31-51-11	D00811	34		N2	4			
34	24	PK	D11553	36		31-51-11	D00811	33		N2	4			
35	22	PA	D00815	14		31-51-11	GDX0001	D..	2	N2	2			
36	24	PV	D00815	27		31-51-11	D00811	12		N2	3			

286T0045-300
Wire Bundle Assembly
Figure 103 (Sheet 2)

25-71-02

WIRE			FROM EQUIPMENT				TO EQUIPMENT				WIRE INFO		
NUMBER	GA	TYP	NUMBER	TERM	TT	WDM REF	NUMBER	TERM	TT	EMC/ SER	FT	NOTE	EFFECTIVITY
036Z			D00811	DED		31-51-11	D00815			N2			
37	24	PV	D00815	32		31-51-11	D00811	17		N2	3		
037Z			D00811	DED		31-51-11	D00815			N2			
38	24	PV	D00815	17		31-51-11	D00811	22		N2	3		
038Z			D00811	DED		31-51-11	D00815			N2			
39	24	PK	D00815	54		31-51-11	SM00020		W	N2	1		
40	24	PK	D00811	63		31-51-11	SM00020		W	N2	2		
41	24	PK	D00823	35		31-51-11	SM00020		W	N2	1		
42	24	PK	D01381	35		31-51-11	SM00020		W	N2	1		
45	22	PA	D01381	14		31-51-11	GDX0001	D..	2	N2	2		
46	22	PA	D01381	48		31-51-11	GDX0003	D..	2	N2	2		
47	24	PV	D01381	27		31-51-11	D00811	11		N2	3		
047Z			D00811	DED		31-51-11	D01381			N2			
48	24	PV	D01381	32		31-51-11	D00811	16		N2	3		
048Z			D00811	DED		31-51-11	D01381			N2			
49	24	PV	D01381	17		31-51-11	D00811	21		N2	3		
049Z			D00811	DED		31-51-11	D01381			N2			
52	22	PA	D00823	14		31-51-11	GDX0001	D..	2	N2	2		
53	22	PA	D00823	48		31-51-11	GDX0003	D..	2	N2	2		
54	24	PV	D00823	27		31-51-11	D00811	10		N2	3		
054Z			D00811	DED		31-51-11	D00823			N2			
55	24	PV	D00823	32		31-51-11	D00811	15		N2	3		
055Z			D00811	DED		31-51-11	D00823			N2			
56	24	PV	D00823	17		31-51-11	D00811	20		N2	3		
056Z			D00811	DED		31-51-11	D00823			N2			
57	22	PA	D00817	14		31-51-11	GDX0002	D..	2	N2	2		
58	24	PV	D00817	27		31-51-11	D00811	51		N2	3		
058Z			D00811	DED		31-51-11	D00817			N2			
59	24	PV	D00817	32		31-51-11	D00811	74		N2	3		
059Z			D00811	DED		31-51-11	D00817			N2			
60	24	PK	D00817	45		31-51-11	SM00021		W	N2	1		
61	24	PK	D00811	64		31-51-11	SM00021		W	N2	2		

286T0045-300
Wire Bundle Assembly
Figure 103 (Sheet 3)

25-71-02



BOEING
COMPONENT
MAINTENANCE MANUAL

WIRE				FROM EQUIPMENT				TO EQUIPMENT				WIRE INFO			
NUMBER	GA	TYP		NUMBER	TERM	TT	WDM REF	NUMBER	TERM	TT	EMC/SEP	FT	NOTE	EFFECTIVITY	
62	24	PK		D01489	16		31-51-11	SM00021		W	N2	1			
63	24	PK		D01487	45		31-51-11	SM00021		W	N2	1			
64	24	PV		D01487	27		31-51-11	D00811	47		N2	3			
064Z				D00811	DED		31-51-11	D01487			N2				
65	24	PV		D01487	32		31-51-11	D00811	70		N2	3			
065Z				D00811	DED		31-51-11	D01487			N2				
66	22	PA		D01487	14		31-51-11	GDX0003	D..	2	N2	2			
67	24	PV		D01489	27		31-51-11	D00811	45		N2	3			
067Z				D00811	DED		31-51-11	D01489			N2				
68	24	PV		D01489	32		31-51-11	D00811	50		N2	3			
068Z				D00811	DED		31-51-11	D01489			N2				
69	24	PV		D01489	17		31-51-11	D00811	36		N2	3			
069Z				D00811	DED		31-51-11	D01489			N2				
70	22	PA		D01489	14		31-51-11	GDX0003	D..	2	N2	2			
71	20	UA		D01381			31-51-11	GDX0002	S..	2	N2	2			
72	20	UA		D00823			31-51-11	GDX0002	S..	2	N2	2			
73	20	UA		D00817			31-51-11	GDX0002	S..	2	N2	2			
74	20	PA		SM00026			31-51-11	GDX0005	D..	2	N2	2			
75	20	UA		D01487		W	31-51-11	GDX0005	S..	2	N2	2			
76	20	UA		GDX0005	S..	2	31-51-11	D01489			N2	2			
77	24	PK		D02261	40		31-41-35	D04349J	1		N2	2			
78	20	PA		SM00027		W	31-51-11	GDX0005	D..	2	N2	2			
79	22	PA		D00813	60		31-51-12	GDX0003	S..	2	N2	3	UAE-F2		
80	22	PA		D00821	15		31-51-12	GDX0002	D..	2	N2	2			
81	24	PV		D00821	30		31-51-12	SM00073		W	N2	1			
081Z				SM00073	REF		31-51-12	D00821			N2				
82	24	PV		D00821	33		31-51-12	SM00074		W	N2	1			
082Z				SM00074	REF		31-51-12	D00821			N2				
83	24	PV		D00821	24		31-51-12	D00813	35		N2	3			
083Z				D00813	DED		31-51-12	D00821			N2				
84	24	PK		D00821	19		31-51-12	SM00025		W	N2	1			
85	24	PK		D00813	65		31-51-12	SM00025		W	N2	2			

286T0045-300
Wire Bundle Assembly
Figure 103 (Sheet 4)

25-71-02

WIRE			FROM EQUIPMENT				TO EQUIPMENT				WIRE INFO		
NUMBER	GA	TYP	NUMBER	TERM	TT	WDM REF	NUMBER	TERM	TT	EMC/ SEP	FT	NOTE	EFFECTIVITY
86	24	PK	D00819	3		31-51-12	SM00025		W	N2	1		
87	24	PK	D01433	18		31-51-12	SM00025		W	N2	1		
88	22	PA	D01433	15		31-51-12	GDX0002	D..	2	N2	2		
89	24	PV	D01433	30		31-51-12	SM00054		W	N2	1		
089Z			SM00054	REF		31-51-12	D01433		W	N2	1		
90	24	PV	D01433	33		31-51-12	SM00055		W	N2	1		
090Z			SM00055	REF		31-51-12	D01433		W	N2	1		
91	24	PV	D01433	24		31-51-12	SM00056		W	N2	1		
091Z			SM00056	REF		31-51-12	D01433		2	N2	2		
92	22	PA	D00819	15		31-51-12	GDX0002	D..	2	N2	2		
93	24	PV	D00819	30		31-51-12	D00813	13	2	N2	3		
093Z			D00813	DED		31-51-12	D00819		2	N2	2		
94	20	PA	SM00032		W	31-51-12	GDX0005	D..	2	N2	3		
95	24	PV	D01505	X2		31-51-12	D00813	75	2	N2	3		
095Z			D00813	DED		31-51-12	D01505		W	N2	1	PAJ-F2	
96	24	PV	D01505	X1		31-51-12	SM00016		W	N2	2	PAJ-F2	
096Z			SM00016	REF		31-51-12	D01505		W	N2	2	PAJ-F2	
97	24	PV	D00813	46		31-51-12	SM00016		W	N2	2		
097Z			SM00016	REF		31-51-12	D00813	DED	2	N2	2		
98	20	PA	SM00033		W	31-51-12	GDX0005	D..	2	N2	1		
99	24	PK	SM00016		W	31-51-12	D11553	25	2	N2	2		
10A	24	PK	D01489	21		31-51-33	D04349J	23	2	N2	2		
100	20	PA	D11553	1		31-51-12	GDX0003	D..	2	N2	2		
101	20	UA	D00821			31-51-12	GDX0004	S..	2	N2	2		
102	20	UA	D00819			31-51-12	GDX0004	S..	2	N2	2		
103	20	UA	D01433			31-51-12	GDX0004	S..	2	N2	2		
104	20	UA	D01505			31-51-12	GDX0005	S..	2	N2	2		
106	20	UA	D00815			31-51-12	GDX0004	S..	2	N2	2		
107	20	UA	D01381			31-51-12	GDX0004	S..	2	N2	2		
109	20	UA	D00817			31-51-12	GDX0004	S..	2	N2	2		
110	20	UA	D01487			31-51-12	GDX0001	S..	2	N2	2		
111	20	UA	D01489			31-51-12	GDX0001	S..	2	N2	2		

286T0045-300
Wire Bundle Assembly
Figure 103 (Sheet 5)

25-71-02



BOEING
COMPONENT
MAINTENANCE MANUAL

WIRE			FROM EQUIPMENT				TO EQUIPMENT				WIRE INFO			
NUMBER	GA	TYP	NUMBER	TERM	TT	WDM REF	NUMBER	TERM	TT	EMC/SEP	FT	NOTE	EFFECTIVITY	
112	22	PA	D00815	15		31-51-12	GDX0001	D..	2	N2	2			
113	24	PK	D01505	A2		31-51-12	SM00005		W	N2	1			
114	20	PA	D01505	A3		31-51-12	GDX0003	D..	2	N2	2			
115	24	PK	D02261	21		21-61-51	D04347J	25		N2	2			
116	24	PK	D00815	21		31-51-12	SM00023		W	N2	1			
117	24	PK	D00813	63		31-51-12	SM00023		W	N2	2			
118	24	PK	D00823	1		31-51-12	SM00023		W	N2	1			
119	24	PK	D01381	1		31-51-12	SM00023		W	N2	1			
120	22	PA	D01381	15		31-51-12	GDX0001	D..	2	N2	2			
121	24	PK	D00817	56		31-51-12	SM00024		W	N2	1			
122	24	PK	D00813	64		31-51-12	SM00024		W	N2	2			
123	24	PK	D01487	56		31-51-12	SM00024		W	N2	1			
124	22	PA	D00823	15		31-51-12	GDX0001	D..	2	N2	2			
125	20	UA	D00823	15		31-51-12	GDX0004	S..	2	N2	2			
126	24	PV	D00823	33		31-51-12	D00813	15		N2	2			
126Z			D00823			31-51-12	D00813	DED		N2	3			
127	24	PV	D00823	24		31-51-12	D00813	20		N2	3			
127Z			D00823			31-51-12	D00813	DED		N2	2			
128	22	PA	D00817	15		31-51-12	GDX0002	D..	2	N2	2			
129	24	PV	D00817	30		31-51-12	D00813	51		N2	3			
129Z			D00817			31-51-12	D00813	DED		N2	2			
130	24	PV	D00817	33		31-51-12	D00813	74		N2	3			
130Z			D00817			31-51-12	D00813	DED		N2	2			
131	24	PV	D00813	11		31-51-12	D01381	30		N2	3			
131Z			D01381			31-51-12	D00813	DED		N2	2			
132	24	PV	D00813	16		31-51-12	D01381	33		N2	3			
132Z			D01381			31-51-12	D00813	DED		N2	2			
133	24	PV	D01381	24		31-51-12	D00813	21		N2	3			
133Z			D01381			31-51-12	D00813	DED		N2	2			
134	24	PK	D01489	50		31-51-12	SM00024		W	N2	1			
135	24	PV	D01487	30		31-51-12	D00813	47		N2	3			
135Z			D01487			31-51-12	D00813	DED		N2	2			

286T0045-300
Wire Bundle Assembly
Figure 103 (Sheet 6)

25-71-02

WIRE			FROM EQUIPMENT				TO EQUIPMENT				WIRE INFO			
NUMBER	GA	TYP	NUMBER	TERM	TT	WDM REF	NUMBER	TERM	TT	EMC/SEP	FT	NOTE	EFFECTIVITY	
136	24	PV	D01487	33		31-51-12	D00813	70		N2	3			
136Z			D01487			31-51-12	D00813	DED		N2				
137	22	PA	D01487	15		31-51-12	GDX0003	DED	2	N2	2			
138	24	PV	D01489	30		31-51-12	D00813	45		N2	3			
138Z			D01489			31-51-12	D00813	DED		N2				
139	24	PV	D01489	33		31-51-12	D00813	50		N2	3			
139Z			D01489			31-51-12	D00813	DED		N2				
140	24	PV	D01489	24		31-51-12	D00813	36		N2	3			
140Z			D01489			31-51-12	D00813	DED		N2				
141	22	PA	D01489	15		31-51-12	GDX0003	D..	2	N2	2			
142	24	PK	D00813	33		31-51-12	D11553	26		N2	3			
143	24	PK	D11553	27		31-51-12	D00813	34		N2	3			
144	24	PV	D00813	12		31-51-12	D00815	30		N2	3			
144Z			D00813	DED		31-51-12	D00815			N2				
145	20	PA	SM00030		W	31-51-12	GDX0005	D..	2	N2	3			
146	24	PV	D00813	17		31-51-12	D00815	33		N2	3			
146Z			D00813	DED		31-51-12	D00815			N2				
147	24	PV	D00813	22		31-51-12	D00815	24		N2	3			
147Z			D00813	DED		31-51-12	D00815			N2				
148	24	PV	D00813	10		31-51-12	D00823	30		N2	3			
148Z			D00813	DED		31-51-12	D00823			N2				
149	20	PA	SM00031		W	31-51-12	GDX0005	D..	2	N2	2			
150	22	PA	D04301J	6		27-32-11	D00823	34		N2	2			
151	24	PK	D04509J	1		27-32-11	D00823	39		N2	2			
152	24	PK	D04347J	26		27-32-11	D00823	40		N2	2			
153	24	PK	D00823	31		27-32-11	D04509J	6		N2	2			
154	20	PA	D04509J	7		27-32-11	GDX0001	D..	2	N2	2			
155	24	PK	SM00037		W	27-32-11	D04511J	3		N2	1			
156	24	PK	D00823	38		27-32-11	D04511J	2		N2	2			
157	24	PK	D04511J	4		27-32-11	SM00050		W	N2	1			
158	24	PK	SM00037		W	27-32-11	D00823	4		N2	1			
159	24	PK	D04349J	14		27-32-11	D00823	36		N2	1			

286T0045-300
Wire Bundle Assembly
Figure 103 (Sheet 7)

25-71-02



BOEING
COMPONENT
MAINTENANCE MANUAL

WIRE			FROM EQUIPMENT				TO EQUIPMENT				WIRE INFO			
NUMBER	GA	TYP	NUMBER	TERM	TT	WDM REF	NUMBER	TERM	TT	EMC/SEP	FT	NOTE	EFFECTIVITY	
160	24	PK	D04349J	15		27-32-11	D00823	3		N2	1			
161	24	PK	D04349J	16		27-32-11	D00823	43		N2	1			
162	24	PK	D04349J	10		27-32-11	D00823	2		N2	1			
165	22	PA	D04349J	11		27-32-21	D01381	34		N2	2			
166	24	PK	D01381	40		27-32-21	D04349J	6		N2	2			
167	24	PK	D01381	31		27-32-21	D04511J	7		N2	2			
168	20	PA	GDX0002	D..	2	27-32-21	D04511J	8		N2	2			
169	24	PK	D04349J	34		27-32-21	D01381	36		N2	2			
170	24	PK	D04349J	35		27-32-21	D01381	3		N2	2			
171	24	PK	D04349J	36		27-32-21	D01381	43		N2	2			
172	24	PK	D04349J	37		27-32-21	D01381	2		N2	2			
173	24	PK	D04511J	13		27-32-21	D01381	4		N2	2			
174	24	PK	D04511J	16		27-32-21	D01381	37		N2	2			
175	24	PK	D04511J	15		27-32-21	D01381	38		N2	2			
176	24	PK	D04509J	8		27-32-21	D01381	39		N2	2			
177	24	PK	D00815	34		31-51-21	SM00057		W	N2	1			
178	24	PK	D00815	43		31-51-21	D01433	19		N2	2			
179	24	PK	D00815	10		31-51-21	D00819	5		N2	2			
180	24	PK	D04507J	5		31-51-21	SM00034		W	N2	1			
181	24	PK	SM00058		W	31-51-21	D00815	66		N2	1			
182	24	PK	D00815	4		31-51-21	SM00034		W	N2	1			
183	24	PK	D00815	11		31-51-21	D04349J	39		N2	2			
184	22	PA	D00815	37		31-51-21	SM00035		W	N2	1			
185	22	PA	D00815	42		31-51-21	SM00036		W	N2	1			
186	24	PK	D04349J	5		31-51-21	SM00012		W	N2	1			
187	24	PK	D00815	2		31-51-21	SM00012		W	N2	1			
188	24	PK	SM00011		W	31-51-21	D04349J	4		N2	1			
189	24	PK	SM00011		W	31-51-21	D00815	35		N2	1			
190	24	PK	D04349J	12		31-51-21	SM00009		W	N2	1			
191	24	PK	D00815	44		31-51-21	SM00009		W	N2	1			
192	24	PK	D04347J	10		31-51-21	SM00008		W	N2	1			
193	24	PK	D00815	1		31-51-21	SM00008		W	N2	1			

286T0045-300
Wire Bundle Assembly
Figure 103 (Sheet 8)

25-71-02

TESTING & TROUBLE SHOOTING

01

Page 136E

Nov 01/02

WIRE			FROM EQUIPMENT				TO EQUIPMENT				WIRE INFO		
NUMBER	GA.	TYP	NUMBER	TERM	TT	WDM REF	NUMBER	TERM	TT	EMC/SEP	FT	NOTE	EFFECTIVITY
194	24	PK	D04347J	11		31-51-21	SM00010		W	N2	1		
195	24	PK	D00815	36		31-51-21	SM00010		W	N2	1		
196	24	PK	SM00039		W	31-51-21	D04347J	21		N2	1		
197	24	PK	D00815	45		31-51-21	SM00039		W	N2	1		
198	24	PK	D00815	46		31-51-21	D04347J	6		N2	2		
199	20	PA	GDX0004	S..	2	31-51-31	D04597J	14		N2	2		
201B	24	PW	D01489	43		31-51-33	SM00004		W	N2	1		
201R	24	PW	D01489	9		31-51-33	SM00003		W	N2			
201Z			D01489	DED		31-51-33	SM00003	REF		N2			
204	20	UA	D04507J			27-32-11	GDX0004	S..	2	N2	2		
204B	24	PW	D00823	18		27-32-11	D04507J	12		N2	1		
204R	24	PW	D00823	16		27-32-11	D04507J	11		N2			
204Z			D00823	DED		27-32-11	D04507J			N2			
205B	24	PW	D00815	19		31-51-21	SM00007		W	N2	1		
205R	24	PW	D00815	52		31-51-21	SM00006		W	N2			
205Z			D00815	DED		31-51-21	SM00006			N2			
207	20	UA	D04597J			31-51-21	GDX0004	S..	2	N2	2		
207B	24	PW	SM00007		W	31-51-21	D04597J	4		N2	1		
207R	24	PW	SM00006		W	31-51-21	D04597J	3		N2			
207Z			SM00006			31-51-21	D04597J			N2			
208	20	UA	D04301J			34-16-11	GDX0002	S..	2	N2	2		
208B	24	PW	D00821	36		34-16-11	D04301J	9		N2	2		
208R	24	PW	D00821	2		34-16-11	D04301J	8		N2			
208Z			D00821	DED		34-16-11	D04301J			N2			
209B	24	PW	D01489	46		31-51-33	SM00007		W	N2	1		
209R	24	PW	D01489	12		31-51-33	SM00006		W	N2			
209Z			D01489	DED		31-51-33	SM00006			N2			
212B	24	PW	D01433	36		31-51-42	SM00007		W	N2	1		
212R	24	PW	D01433	2		31-51-42	SM00006		W	N2			
212Z			D01433	DED		31-51-42	SM00006			N2			
213	20	UA	D04507J			34-16-11	GDX0004	S..	2	N2	2		
213B	24	PW	D00821	35		34-16-11	D04507J	8		N2	2		

286T0045-300
Wire Bundle Assembly
Figure 103 (Sheet 9)

25-71-02



BOEING
COMPONENT
MAINTENANCE MANUAL

WIRE			FROM EQUIPMENT			TO EQUIPMENT			WIRE INFO				
NUMBER	GA	TYP	NUMBER	TERM	TT	WDM REF	NUMBER	TERM	TT	EMC/SEP	FT	NOTE	EFFECTIVITY
213R	24	PW	D00821	1		34-16-11	D04507J	9		N2			
213Z			D00821	DED		34-16-11	D04507J			N2			
214	20	UA	D04349J			34-16-11	GDX0004	S..	2	N2	2		
214B	24	PW	D00821	37		34-16-11	D04349J	19		N2	2		
214R	24	PW	D00821	3		34-16-11	D04349J	18		N2			
214Z			D00821	DED		34-16-11	D04349J			N2			
215B	24	PL	D01487	24		31-51-31	D04597J	12		N2	2		
215R	24	PL	D01487	23		31-51-31	D04597J	13		N2			
216B	24	PL	D00817	24		31-51-32	D04303J	12		N2	2		
216R	24	PL	D00817	23		31-51-32	D04303J	11		N2			
221B	24	PW	D01489	45		31-51-33	SM00004		W	N2	1		
221R	24	PW	D01489	11		31-51-33	SM00003		W	N2			
221Z			D01489	DED		31-51-33	SM00003	REF		N2			
223B	24	PW	D00821	38		34-16-11	SM00004		W	N2	1		
223R	24	PW	D00821	4		34-16-11	SM00003		W	N2			
223Z			D00821	DED		34-16-11	SM00003	REF		N2			
224	20	UA	D04349J			27-32-21	GDX0004	S..	2	N2	2		
224B	24	PW	D04349J	28		27-32-21	D01381	18		N2	2		
224R	24	PW	D04349J	27		27-32-21	D01381	16		N2			
224Z			D04349J			27-32-21	D01381	DED		N2			
225B	22	PR	D00811	69		31-51-11	SM00060		W	N2	2		
225R	22	PR	D00811	68		31-51-11	SM00060		W	N2			
225Z			D00811	DED		31-51-11	SM00028	REF		N2			
226B	22	PR	D00813	69		31-51-12	SM00061		W	N2	2		
226R	22	PR	D00813	68		31-51-12	SM00061		W	N2			
226Z			D00813	DED		31-51-12	SM00030	REF		N2			
230	20	UA	D04347J			31-51-33	GDX0003	S..	2	N2	2		
230B	24	PW	D04347J	18		31-51-33	SM00004		W	N2	1		
230R	24	PW	D04347J	17		31-51-33	SM00003		W	N2			
230Z			D04347J			31-51-33	SM00003	REF		N2			
236	20	UA	D04347J			27-32-11	GDX0001	S..	2	N2	2		
236B	24	PW	D04347J	37		27-32-11	D00823	54		N2	2		

286T0045-300
Wire Bundle Assembly
Figure 103 (Sheet 10)

25-71-02

TESTING & TROUBLE SHOOTING
01 Page 136G
Nov 01/02

WIRE			FROM EQUIPMENT				TO EQUIPMENT				WIRE INFO			
NUMBER	GA	TYP	NUMBER	TERM	TT	WDM REF	NUMBER	TERM	TT	EMC/ SEP	FT	NOTE	EFFECTIVITY	
236R	24	PW	D04347J	36		27-32-11	D00823	23		N2				
236Z			D04347J			27-32-11	D00823	DED		N2				
237B	24	PW	D04347J	40		27-32-11	D00823	13		N2	2			
237R	24	PW	D04347J	39		27-32-11	D00823	12		N2				
237Z			D04347J			27-32-11	D00823	DED		N2				
238	20	UA	D04349J			27-32-21	GDX0001	S..	2	N2				
238B	24	PW	D04349J	49		27-32-21	D01381	54		N2	2			
238R	24	PW	D04349J	48		27-32-21	D01381	23		N2				
238Z			D04349J			27-32-21	D01381	DED		N2				
239B	24	PW	D01381	20		27-32-21	D04349J	55		N2	2			
239R	24	PW	D01381	19		27-32-21	D04349J	54		N2				
239Z			D01381	DED		27-32-21	D04349J			N2				
240B	24	PL	D04347J	23		31-51-31	SM00080		W	N2	1			
240R	24	PL	D04347J	22		31-51-31	SM00042		W	N2				
241B	24	PL	D01487	60		31-51-31	SM00080		W	N2	1			
241R	24	PL	D01487	28		31-51-31	SM00042		W	N2				
242B	24	PL	D00817	60		31-51-32	SM00080		W	N2	1			
242R	24	PL	D00817	28		31-51-32	SM00042		W	N2				
243B	24	PW	D04349J	52		27-32-21	D01381	13		N2	2			
243R	24	PW	D04349J	51		27-32-21	D01381	12		N2				
243Z			D04349J			27-32-21	D01381	DED		N2				
245B	24	PW	D00823	20		27-32-11	D04347J	48		N2	2			
245R	24	PW	D00823	19		27-32-11	D04347J	47		N2				
245Z			D00823	DED		27-32-11	D04347J			N2				
247	20	UA	D04349J			31-41-35	GDX0006	S..	2	N2	2			
247B	24	PW	D02261	42		31-41-35	D04349J	57		N2	2			
247R	24	PW	D02261	43		31-41-35	D04349J	56		N2				
247Z			D02261	DED		31-41-35	D04349J			N2				
248	20	UA	D04349J			28-41-11	GDX0006	S..	2	N2	2			
248B	24	PW	D02261	5		28-41-11	D04349J	60		N2	2			
248R	24	PW	D02261	8		28-41-11	D04349J	59		N2				
248Z			D02261	DED		28-41-11	D04349J			N2				

286T0045-300
Wire Bundle Assembly
Figure 103 (Sheet 11)

25-71-02



BOEING
COMPONENT
MAINTENANCE MANUAL

WIRE			FROM EQUIPMENT				TO EQUIPMENT				WIRE INFO			
NUMBER	GA	TYP	NUMBER	TERM	TT	WDM	REF	NUMBER	TERM	TT	EMC/ SEP	FT	NOTE	EFFECTIVITY
271B	24	PL	D04597J	5		31-51-31	SM00088				W	N2	1	
271R	24	PL	D04597J	2		31-51-31	SM00087				W	N2	1	
272B	24	PL	D01487	63		31-51-31	SM00088				W	N2	1	
272R	24	PL	D01487	62		31-51-31	SM00087				W	N2	1	
273B	24	PL	D00817	63		31-51-32	SM00088				W	N2	1	
273R	24	PL	D00817	62		31-51-32	SM00087				W	N2	1	
290B	24	PW	D04597J	8		34-43-15	SM00104				W	N2	1	
290R	24	PW	D04597J	7		34-43-15	SM00103				W	N2	1	
290Z			D04597J	9		34-43-15	SM00103		REF		W	N2	1	
291B	24	PW	D04303J	4		34-43-15	SM00104				W	N2	1	
291R	24	PW	D04303J	3		34-43-15	SM00103				W	N2	1	
291Z			D04303J	5		34-43-15	SM00103		REF		W	N2	1	
292B	24	PW	D04347J	53		34-43-15	SM00104				W	N2	1	
292R	24	PW	D04347J	51		34-43-15	SM00103				W	N2	1	
292Z			D04347J	61		34-43-15	SM00103		REF		W	N2	1	
301	20	UA	SM00028	REF		31-51-11	GDX0005		S.		2	N2	1	
301B	22	PS	D00811	57		31-51-11	SM00028				W	N2	2	
301R	22	PS	D00811	38		31-51-11	SM00028				W	N2	2	
301Y	22	PS	D00811	58		31-51-11	SM00028				W	N2	2	
301Z			D00811	DED		31-51-11	SM00028		REF		W	N2	2	
302B	22	PS	D00811	42		31-51-11	SM00029				W	N2	2	
302R	22	PS	D00811	41		31-51-11	SM00029				W	N2	2	
302Y	22	PS	D00811	43		31-51-11	SM00029				W	N2	2	
302Z			D00811	DED		31-51-11	SM00028		REF		W	N2	2	
303B	22	PS	D00811	8		31-51-11	SM00026				W	N2	2	
303R	22	PS	D00811	7		31-51-11	SM00026				W	N2	2	
303Y	22	PS	D00811	9		31-51-11	SM00026				W	N2	2	
303Z			D00811	DED		31-51-11	SM00028		REF		W	N2	2	
304B	22	PS	D00811	25		31-51-11	SM00027				W	N2	2	
304R	22	PS	D00811	24		31-51-11	SM00027				W	N2	2	
304Y	22	PS	D00811	37		31-51-11	SM00027				W	N2	2	
304Z			D00811	DED		31-51-11	SM00028		REF		W	N2	2	

286T0045-300
Wire Bundle Assembly
Figure 103 (Sheet 12)

25-71-02

TESTING & TROUBLE SHOOTING
01

Page 1361
Nov 01/02

WIRE			FROM EQUIPMENT				TO EQUIPMENT				WIRE INFO			
NUMBER	GA.	TYP	NUMBER	TERM	TT	WDM REF	NUMBER	TERM	TT	EMC/SEP	FT	NOTE	EFFECTIVITY	
305	20	UA	SM00030	REF		31-51-12	GDX0005	S..	2	N2	1			
305B	22	PS	D00813	8		31-51-12	SM00030		W	N2	2			
305R	22	PS	D00813	7		31-51-12	SM00030		W	N2				
305Y	22	PS	D00813	9		31-51-12	SM00030		W	N2				
305Z	22	PS	D00813	DED		31-51-12	SM00030	REF	W	N2	2			
306B	22	PS	D00813	25		31-51-12	SM00031		W	N2				
306R	22	PS	D00813	24		31-51-12	SM00031		W	N2				
306Y	22	PS	D00813	37		31-51-12	SM00031		W	N2				
306Z	22	PS	D00813	DED		31-51-12	SM00030	REF	W	N2	2			
307B	22	PS	D00813	57		31-51-12	SM00032		W	N2				
307R	22	PS	D00813	38		31-51-12	SM00032		W	N2				
307Y	22	PS	D00813	58		31-51-12	SM00032		W	N2				
307Z	22	PS	D00813	DED		31-51-12	SM00030	REF	W	N2				
308B	22	PS	D00813	42		31-51-12	SM00033		W	N2	2			
308R	22	PS	D00813	41		31-51-12	SM00033		W	N2				
308Y	22	PS	D00813	43		31-51-12	SM00033		W	N2				
308Z	22	PS	D00813	DED		31-51-12	SM00030	REF	W	N2	2			
512	24	PK	D02261	20		27-81-31	D04349J	8		N2				
601	20	PA	SM00060		W	31-51-11	GDX0004	D..	2	N2				
602	20	PA	SM00061		W	31-51-12	GDX0005	D..	2	N2				
603	24	PV	D04301J	5		31-51-12	M01103	INE	D	N2	1			
603Z	24	PV	D04301J	DED		31-51-12	M01103			N2				
604	24	PV	D04301J	4		31-51-12	D00813	4		N2	3			
604Z	24	PV	D04301J	DED		31-51-12	D00813			N2				
605	24	PV	D00813	1		31-51-12	M01103	OAD	D	N2	3			
605Z	24	PV	D00813	32		31-51-12	M01103	DED		N2				
606	24	PV	D04349J	32		31-51-11	M01102	INE	D	N2	1			
606Z	24	PV	D04349J	DED		31-51-11	M01102			N2				
607	24	PV	D04349J	33		31-51-11	D00811	4		N2	3			
607Z	24	PV	D04349J	DED		31-51-11	D00811			N2				
608	24	PV	D00811	1		31-51-11	M01102	OAD	D	N2	3			
608Z	24	PV	D00811	DED		31-51-11	M01102	DED		N2				

286T0045-300
Wire Bundle Assembly
Figure 103 (Sheet 13)

25-71-02

TESTING & TROUBLE SHOOTING
01 Page 136J
Nov 01/02



BOEING
COMPONENT
MAINTENANCE MANUAL

WIRE			FROM EQUIPMENT			TO EQUIPMENT			WIRE INFO				
NUMBER	GA	TYP	NUMBER	TERM	TT	WDM REF	NUMBER	TERM	TT	EMC/SEP	FT	NOTE	EFFECTIVITY
610	24	PK	D00823	37		27-32-11	SM00050			N2	1		
611	24	PK	D01433	6		31-51-42	D04347J	20		N2	2		
612	24	PK	D01433	4		31-51-42	SM00050			N2	1		
613	24	PK	D04349J	30		31-51-31	SM00065			N2	1		
614	24	PK	D01487	52		31-51-31	SM00065			N2	1		
615	24	PK	D00817	52		31-51-32	SM00065			N2	1		
617	24	PK	D01381	11		27-32-12	D00823	56		N2	1		
618	24	PK	D01381	56		27-32-12	D00823	11		N2	1		
619	24	PK	D00823	45		27-32-12	SM00082			N2	1		
620	24	PK	D04349J	29		31-51-21	SM00071			N2	1		
621	24	PK	D00815	7		31-51-21	SM00071			N2	1		
622	24	PK	D01489	2		31-51-33	SM00071			N2	1		
623	24	PK	D01489	36		31-51-33	SM00038			N2	1		
624	24	PK	D00815	8		31-51-21	SM00045			N2	1		
625	24	PK	D01487	9		31-51-31	SM00034			N2	1		
628	22	PA	D01487	20		31-51-31	GDX0006	D..		N2	2		
629	22	PA	D01487	53		31-51-31	GDX0006	D..		N2	2		
630	22	PA	D01487	21		31-51-31	GDX0006	D..		N2	2		
631	24	PK	D00817	9		31-51-32	SM00034			N2	1		
634	22	PA	D00817	20		31-51-32	GDX0006	D..		N2	2		
635	22	PA	D00817	53		31-51-32	GDX0006	D..		N2	2		
636	22	PA	D00817	21		31-51-32	GDX0006	D..		N2	2		
644	22	PQ	D00823	66		27-32-31	D04347J	42		N2	2		
644Z			D00823	DED		27-32-31	D04347J	DED		N2	2		
646	22	PQ	D01381	66		27-32-31	D04349J	42		N2	2		
646Z			D01381	DED		27-32-31	D04349J	DED		N2	2		
652	24	PV	D00811	26		31-51-11	SM00068			N2	2		
652Z			D00811	DED		31-51-11	SM00068	REF		N2	2		
653	24	PV	D00811	49		31-51-11	SM00069			N2	2		
653Z			D00811	DED		31-51-11	SM00069	REF		N2	2		
654	24	PV	D01739	27		31-51-11	SM00068			N2	1		
654Z			D01739	DED		31-51-11	SM00068	REF		N2	1		

286T0045-300
Wire Bundle Assembly
Figure 103 (Sheet 14)

25-71-02

TESTING & TROUBLE SHOOTING
01 Page 136K
Nov 01/02

WIRE			FROM EQUIPMENT				TO EQUIPMENT				WIRE INFO		
NUMBER	CA	TYP	NUMBER	TERM	TT	WDM REF	NUMBER	TERM	TT	EMC/ SEP	FT	NOTE	EFFECTIVITY
655	24	PV	D01739	32		31-51-11	SM00069		W	N2	1		
655Z			D01739	DED		31-51-11	SM00069			N2			
656	24	PK	D01739	10		31-51-11	SM00022		W	N2	1		
657	22	PA	D01739	14		31-51-11	GDX0006		2	N2	2		
658	24	PV	D01741	27		31-51-11	D00811			N2	3		
658Z			D01741			31-51-11	D00811	DED		N2			
659	24	PV	D01741	32		31-51-11	D00811	76		N2	3		
659Z			D01741			31-51-11	D00811	DED		N2			
660	20	UA	D01741			31-51-11	GDX0006	S..	2	N2	1		
661	24	PK	D01741	10		31-51-11	D00811	66		N2	3		
662	22	PA	D01741	14		31-51-11	GDX0006	D..	2	N2	1		
663	24	PV	D00813	26		31-51-12	SM00073		W	N2	2		
663Z			D00813	DED		31-51-12	SM00073	REF		N2			
664	24	PV	D00813	49		31-51-12	SM00074		W	N2	2		
664Z			D00813	DED		31-51-12	SM00074	REF		N2			
665	24	PV	D01739	30		31-51-12	SM00073		W	N2	1		
665Z			D01739	DED		31-51-12	SM00073	REF		N2			
666	24	PV	D01739	33		31-51-12	SM00074		W	N2	1		
666Z			D01739	DED		31-51-12	SM00074	REF		N2			
667	24	PK	D01739	9		31-51-12	SM00025		W	N2	1		
668	22	PA	D01739	15		31-51-12	GDX0006	D..	2	N2	2		
669	24	PV	D01741	30		31-51-12	D00813	62		N2	2		
669Z			D01741			31-51-12	D00813	DED		N2			
670	24	PV	D01741	33		31-51-12	D00813	76		N2	2		
670Z			D01741			31-51-12	D00813	DED		N2			
671	20	UA	D01741			31-51-12	GDX0006	S..	2	N2	1		
672	24	PK	D01741	9		31-51-12	D00813	66		N2	2		
673	22	PA	D01741	15		31-51-12	GDX0006	D..	2	N2	1		
681	24	PK	D01433	10		31-51-43	D04507J	10		N2	2		
682	24	PK	D01433	13		31-51-43	D04347J	46		N2	2		
683	22	PA	D01433	41		31-51-43	SM00081		W	N2	1		
684	20	PA	GDX0001	D..	2	31-51-43	D04349J	47		N2	2		

286T0045-300
Wire Bundle Assembly
Figure 103 (Sheet 15)

25-71-02



BOEING
COMPONENT
MAINTENANCE MANUAL

WIRE			FROM EQUIPMENT				TO EQUIPMENT				WIRE INFO			
NUMBER	GA	TYP	NUMBER	TERM	TT	WDM REF	NUMBER	TERM	TT	EMC/SEP	FT	NOTE	EFFECTIVITY	
685	24	PK	D00823	58		27-32-12	D01505	A1		N2	2			
686	24	PK	D00823	8		27-32-11	SM00038		W	N2	1			
687	24	PK	D00823	64		27-32-11	SM00081		W	N2	1			
688	24	PK	D01381	58		27-32-22	D01503	A1		N2	2			
689	24	PK	D01381	45		27-32-22	SM00085		W	N2	1			
692	24	PK	D01381	8		27-32-21	SM00038		W	N2	1			
693	24	PK	D04347J	30		31-51-21	D00815	6		N2	2			
694	22	PA	D04349J	46		31-51-43	SM00081		W	N2	1			
696	20	PA	GDX0003	D..	2	27-32-12	SM00082		W	N2	1			
697	20	PA	GDX0003	D..	2	27-32-22	SM00085		W	N2	1			
701	24	PK	D00815	49		31-51-21	D00815	22		N2				
702	24	PK	D00815	16		31-51-21	D00815	48		N2				
703	24	PK	D00819	6		31-51-41	SM00019		W	N2	1			
704	24	PK	SM00075		W	31-51-41	D04511J	14		N2	1			
705	24	PK	D00819	45		31-51-41	D04511J	12		N2	2			
706	24	PK	D00819	10		31-51-41	D04349J	31		N2	2			
707	24	PK	D00819	21		31-51-41	D04509J	4		N2	2			
708	24	PK	D00819	9		31-51-41	D04349J	7		N2	2			
709	24	PK	D00819	39		31-51-41	SM00044		W	N2	1			
710	24	PK	D00819	43		31-51-41	SM00037		W	N2	1			
711	24	PK	D00819	12		31-51-41	D04349J	21		N2	2			
712	24	PK	D00819	53		31-51-41	D04349J	3		N2	2			
713	24	PK	D00819	20		31-51-41	D04347J	9		N2	2			
714	24	PK	D00819	44		31-51-41	D04349J	24		N2	2			
715	24	PK	D04507J	6		31-51-42	SM00019		W	N2	1			
716	24	PK	D01433	34		31-51-42	SM00019		W	N2	1			
717	24	PK	D01433	37		31-51-42	SM00034		W	N2	1			
718	24	PK	D01433	39		31-51-42	D04509J	2		N2	2			
720	24	PK	D01433	52		31-51-42	SM00040		W	N2	1			
721	24	PK	D01433	38		31-51-42	D04347J	24		N2	2			
722	24	PK	D01433	5		31-51-42	D04349J	22		N2	2			
723	24	PK	D04511J	11		31-51-42	SM00038		W	N2	1			

286T0045-300
Wire Bundle Assembly
Figure 103 (Sheet 16)

25-71-02

WIRE			FROM EQUIPMENT				TO EQUIPMENT				WIRE INFO			
NUMBER	GA	TYP	NUMBER	TERM	TT	WDM REF	NUMBER	TERM	TT	EMC/ SEP	FT	NOTE	EFFECTIVITY	
724	24	PK	D01433	40		31-51-42	SM00038		W	N2	1			
725	24	PK	D01433	3		31-51-42	D04347J	13		N2	2			
726	22	PA	D04347J	14		31-51-21	SM00036		W	N2	1			
727	22	PA	D04301J	11		31-51-21	SM00035		W	N2	1			
728	24	PK	D04347J	1		31-51-41	D00819	35		N2	2			
729	24	PK	D04347J	2		31-51-41	D00819	1		N2	2			
730	24	PK	D04347J	3		31-51-41	D00819	36		N2	2			
731	24	PK	D04347J	4		31-51-41	D00819	2		N2	2			
732	24	PK	D04347J	5		31-51-42	D01433	20		N2	2			
733	24	PK	D04347J	16		34-16-11	D00821	65		N2	2			
734	24	PK	D04347J	8		31-51-31	SM00046		W	N2	1			
735	24	PK	D04507J	7		34-16-11	D00821	34		N2	2			
736	24	PK	D04507J	2		34-16-11	D00821	66		N2	2			
737	24	PK	SM00041		W	34-16-11	D00821	31		N2	1			
738	24	PK	D04347J	19		34-16-11	D00821	7		N2	2			
739	24	PK	SM00075		W	34-16-11	D00821	6		N2	1			
740	24	PK	SM00038		W	34-16-11	D00821	40		N2	1			
741	24	PK	D00821	18		34-16-11	D00821	22		N2	2			
742	24	PK	D00821	50		34-16-11	D00821	48		N2	2			
746	24	PK	D04597J	10		31-51-31	SM00043		W	N2	1			
747	24	PK	D01487	46		31-51-31	SM00043		W	N2	1			
748	24	PK	D04347J	7		31-51-31	SM00045		W	N2	1			
749	24	PK	D01487	10		31-51-31	SM00045		W	N2	1			
750	24	PK	D01487	19		31-51-31	SM00046		W	N2	1			
751	24	PK	D01487	13		31-51-31	SM00040		W	N2	1			
752	24	PK	D01487	47		31-51-31	SM00044		W	N2	1			
753	24	PK	D01487	51		31-51-31	SM00041		W	N2	1			
755	24	PV	D01487	1		31-51-31	SM00035		W	N2	1			
755Z			D01487	DED		31-51-31	SM00035	DED		N2	2			
756	24	PK	D01487	50		31-51-31	SM00036		W	N2	1			
757	24	PK	D01487	49		31-51-31	SM00039		W	N2	1			
757	24	PK	D01487	11		31-51-31	SM00039		W	N2	1			

VS307-VS307
VS308-VS315 VS561-VS570

286T0045-300
Wire Bundle Assembly
Figure 103 (Sheet 17)

25-71-02



BOEING
COMPONENT
MAINTENANCE MANUAL

WIRES			FROM EQUIPMENT				TO EQUIPMENT				WIRE INFO			
NUMBER	GA	TYP	NUMBER	TERM	TT	WDM REF	NUMBER	TERM	TT	EMC / SEP	FT	NOTE	EFFECTIVITY	
758	24	PK	D01487	22		31-51-31	D01489	23		N2	2			
759	24	PK	D01487	55		31-51-31	D01489	47		N2	2			
760	24	PK	D01487	34		31-51-31	D01489	51		N2	2			
761	24	PK	D01487	66		31-51-31	D01489	57		N2	2			
762	24	PK	D00817	10		31-51-32	SM00045		W	N2	1			
763	24	PK	D00817	46		31-51-32	SM00043		W	N2	1			
764	24	PV	D00817	1		31-51-32	SM00035		W	N2	1			
764Z			D00817	DED		31-51-32	SM00035	DED		N2				
765	24	PK	D00817	50		31-51-32	SM00036		W	N2	1			
766	24	PV	D00817	49		31-51-32	SM00053		W	N2	1			
766	24	PV	D00817	11		31-51-32	SM00053		W	N2	1			
766Z			D00817	DED		31-51-32	SM00053	DED		N2				
767	24	PK	D00817	19		31-51-32	SM00046		W	N2	1			
768	24	PK	D00817	13		31-51-32	SM00040		W	N2	1			
769	24	PK	D00817	47		31-51-32	SM00044		W	N2	1			
770	24	PK	D00817	51		31-51-32	SM00041		W	N2	1			
772	24	PK	D00817	22		31-51-32	D01489	54		N2	2			
773	24	PK	D00817	55		31-51-32	D01489	13		N2	2			
774	24	PK	D00817	34		31-51-32	D01489	25		N2	2			
775	24	PK	D00817	66		31-51-32	D01489	58		N2	2			
776	24	PK	D01489	42		31-51-33	D04347J	15		N2	2			
777	24	PK	D01489	8		31-51-33	D04349J	13		N2	2			
779	24	PK	D01489	35		31-51-33	D04349J	40		N2	2			
780	24	PK	D01489	53		31-51-33	D04349J	2		N2	2			
781	24	PK	D01489	31		31-51-33	D01489	48		N2				
782	24	PK	D01489	18		31-51-33	D01489	22		N2				
783	24	PK	D01489	38		31-51-33	SM00008		W	N2	1			
784	24	PK	D01489	4		31-51-33	SM00011		W	N2	1			
785	24	PK	D01489	37		31-51-33	SM00012		W	N2	1			
786	24	PK	D01489	3		31-51-33	SM00010		W	N2	1			
787	24	PK	D01489	1		31-51-33	SM00009		W	N2	1			
788	24	PK	D01489	6		31-51-33	SM00034		W	N2	1			

286T0045-300
Wire Bundle Assembly
Figure 103 (Sheet 18)

25-71-02

TESTING & TROUBLE SHOOTING
01 Page 1360
Nov 01/02

WIRE			FROM EQUIPMENT				TO EQUIPMENT				WIRE INFO			
NUMBER	GA	TYP	NUMBER	TERM	TT	WDM REF	NUMBER	TERM	TT	EMC/ SEP	FT	NOTE	EFFECTIVITY	
789	24	PK	D01489	41		31-51-33	D04509J	11		N2	2			
791	24	PK	D01489	7		31-51-33	D04509J	10		N2	2			
792	24	PK	D01489	40		31-51-33	D04509J	9		N2	2			
793	24	PK	D00819	11		31-51-41	SM00075	S..	W	N2	1			
794	20	PA	D04303J	10		31-51-32	GDX0004	S..	2	N2	2			
795	24	PK	D01433	9		31-51-42	D01433	48		N2				
796	24	PK	D01433	22		31-51-42	D01433	50		N2				
797	24	PV	D00815	41		31-51-21	SM00053	DED	W	N2	1			
797Z			D00815	DED		31-51-21	SM00053	DED	W	N2	1			
798	24	FV	D04349J	9		31-51-21	SM00053	DED		N2	1			
798Z			D04349J	DED		31-51-21	SM00053	DED		N2	1			
817	24	PK	D00823	55		27-32-12	D11553	6		N2	2			
818	24	PK	D00823	21		27-32-12	D11553	4		N2	2			
819	24	PK	D00823	51		27-32-12	D11553	3		N2	2			
820	24	PK	D00823	50		27-32-12	D11553	2		N2	2			
821	24	PK	D00823	49		27-32-12	D11553	7		N2	2			
822	24	PK	D00823	47		27-32-12	D11553	8		N2	2			
823	24	PK	D00823	46		27-32-12	D11553	9		N2	2			
824	24	PK	D00823	53		27-32-12	D11553	5		N2	2			
825	24	PK	D00823	62		27-32-12	D11553	24		N2	2			
826	24	PK	D01381	55		27-32-22	D11553	16		N2	2			
827	24	PK	D01381	21		27-32-22	D11553	14		N2	2			
828	24	PK	D01381	51		27-32-22	D11553	13		N2	2			
829	24	PK	D01381	50		27-32-22	D11553	12		N2	2			
830	24	PK	D01381	49		27-32-22	D11553	17		N2	2			
831	24	PK	D01381	47		27-32-22	D11553	18		N2	2			
832	24	PK	D01381	46		27-32-22	D11553	19		N2	2			
833	24	PK	D01381	53		27-32-22	D11553	15		N2	2			
834	24	PK	D01381	62		27-32-22	D11553	34		N2	2			
835	24	PK	D04349J	50		27-32-21	D01381	64		N2	2			
836	20	PA	D04349J	53		27-32-21	GDX0002	S..	2	N2	2			
837	24	PK	D00823	42		27-32-12	SM00082	S..	W	N2	1			

286T0045-300
Wire Bundle Assembly
Figure 103 (Sheet 19)

25-71-02



BOEING
COMPONENT
MAINTENANCE MANUAL

WIRE			FROM EQUIPMENT				TO EQUIPMENT				WIRE INFO			
NUMBER	GA	TYP	NUMBER	TERM	TT	WDM REF	NUMBER	TERM	TT	EMC/SEP	FT	NOTE	EFFECTIVITY	
838	24	PK	D01381	42		27-32-22	SM00085			W N2	1			
842	24	PK	D01381	6		27-32-22	SM00085			W N2	1			
843	24	PK	D00823	6		27-32-12	SM00082			W N2	1			
862	22	PA	D02261	30		31-41-35	GDX0006	S..		N2	1			
863	22	PA	D02261	32		31-41-35	GDX0006	S..		N2	1			
864	22	PA	D02261	33		31-41-35	GDX0006	S..		N2	1			
865	22	PA	D02261	64		31-41-35	GDX0006	S..		N2	1			
866	24	PV	D02261	27		31-51-11	SM00018			W N2	1			
866Z			D02261	DED		31-51-11	SM00018	REF		N2				
867	24	PV	D02261	28		31-51-11	SM00047			W N2	1			
867Z			D02261	DED		31-51-11	SM00047	REF		N2				
868	24	PV	D02261	29		31-51-12	SM00054			W N2	1			
868Z			D02261	DED		31-51-12	SM00054	REF		N2				
869	24	PK	D02261	34		31-51-12	SM00025			W N2	1			
870	22	PA	D02261	56		31-51-12	GDX0001	S..		N2	2			
871	22	PA	D02261	57		31-51-12	GDX0003	S..		N2	2			
872	22	PA	D02261	59		31-51-11	GDX0005	S..		N2	1			
873	24	PV	D02261	60		31-51-12	SM00055			W N2	1			
873Z			D02261	DED		31-51-12	SM00055	REF		N2				
874	24	PV	D02261	62		31-51-11	SM00049			W N2	1			
874Z			D02261	DED		31-51-11	SM00049	REF		N2				
875	24	PV	D02261	63		31-51-12	SM00056			W N2	1			
875Z			D02261	DED		31-51-12	SM00056	REF		N2				
876	24	PK	D02261	65		31-51-11	SM00022			W N2	1			
877	24	PV	D00811	14		31-51-11	SM00018			W N2	2			
877Z			D00811	DED		31-51-11	SM00018	REF		N2				
878	24	PV	D00811	48		31-51-11	SM00047			W N2	2			
878Z			D00811	DED		31-51-11	SM00047	REF		N2				
879	24	PV	D00811	23		31-51-11	SM00049			W N2	2			
879Z			D00811	DED		31-51-11	SM00049	REF		N2				
880	24	PV	D00813	14		31-51-12	SM00054			W N2	2			
880Z			D00813	DED		31-51-12	SM00054	REF		N2				

286T0045-300
Wire Bundle Assembly
Figure 103 (Sheet 20)

25-71-02

TESTING & TROUBLE SHOOTING
01 Page 136Q
Nov 01/02

WIRE		FROM EQUIPMENT			TO EQUIPMENT			WIRE INFO					
NUMBER	GA	TYP	NUMBER	TERM	TT	WDM REF	NUMBER	TERM	TT	EMC/SEP	FT	NOTE	EFFECTIVITY
881	24	PV	D00813	48		31-51-12	SM00055		W	N2	2		
881Z			D00813	DED		31-51-12	SM00055	REF		N2			
882	24	PV	D00813	23		31-51-12	SM00056		W	N2	2		
882Z			D00813	DED		31-51-12	SM00056	REF		N2			
883	22	PA	D02261	15		38-32-11	D04349J	26		N2	2		
884	22	PA	D02261	47		38-32-11	D04347J	27		N2	2		
885	24	PK	D04303J	9		31-51-21	SM00057		W	N2	1		
886	24	PK	D04507J	3		31-51-21	SM00058		W	N2	1		
887	24	PK	D04507J	1		31-51-21	SM00058		W	N2	1		
888	24	PK	SM00057		W	31-51-21	D04349J	44		N2	1		

286T0045-300
Wire Bundle Assembly
Figure 103 (Sheet 21)

25-71-02



BOEING
COMPONENT
MAINTENANCE MANUAL

WIRE			FROM EQUIPMENT				TO EQUIPMENT				WIRE INFO			
NUMBER	GA	TYP	NUMBER	TERM	TT	WD REF	NUMBER	TERM	TT	EMC/SEP	FT	NOTE	EFFECTIVITY	
FRA			M01103			31-51-12	M01103	GND	D	N2				
FRB			D00813			31-51-12	D00813	59		N2				
FRC			M01102			31-51-11	M01102	GND	D	N2				
FRD			D00811			31-51-11	D00811	59		N2				
FRG			D04349J	58		31-41-35	D04349J			N2				
FRH			D04349J	61		28-41-11	D04349J			N2				
PA1			D00815	47		99-99-99	D00815	63		N2		DAW-B2		
PA2			D00817	8		99-99-99	D00817	57		N2		DAW-B2		
PA3			D00819	41		99-99-99	D00819	55		N2		DAW-B2		
PA4			D00821	43		99-99-99	D00821	60		N2		DAW-B2		
PA5			D00823	52		99-99-99	D00823	65		N2		DAW-B2		
PA6			D01433	44		99-99-99	D01433	61		N2		DAW-B2		
PA7			D01381	52		99-99-99	D01381	65		N2		DAW-B2		
PA8			D01487	8		99-99-99	D01487	57		N2		DAW-B2		
PA9			D01489	56		99-99-99	D01489	65		N2		DAW-B2		
PB1			D01739	7		99-99-99	D01739	62		N2		DAW-B2		
PB2			D01741	7		99-99-99	D01741	62		N2		DAW-B2		
PB4			D02261	54		99-99-99	D02261	61		N2		DAW-B2		
P01		SE	D11553							N2				
P01		SE	D11553							N2				
1	22	PA	D00811	60		31-51-11	GDX0001	S..	2	N2		UAE-F2	VS137-VS137	
2	22	PA	D00821	14		31-51-11	GDX0002	D..	2	N2			VS138-VS145	
3	24	PV	SM00068	REF	W	31-51-11	D00821	27		N2				
003Z			SM00068	REF		31-51-11	D00821			N2				
4	24	PV	SM00069	REF	W	31-51-11	D00821	32		N2				
004Z			SM00069	REF		31-51-11	D00821			N2				
5	24	PV	D00811	35		31-51-11	D00821	17		N2				
005Z			D00811	DED		31-51-11	D00821			N2				
6	24	PK	SM00022		W	31-51-11	D00821	51		N2				
7	24	PK	D00811	65		31-51-11	SM00022		W	N2				
8	24	PK	D00819	37		31-51-11	SM00022		W	N2				
9	24	PV	D00819	27		31-51-11	D00811	13		N2				

286T0045-301
Wire Bundle Assembly
Figure 104 (Sheet 1)

25-71-02

WIRE NUMBER	WIRE		FROM EQUIPMENT			TO EQUIPMENT			WIRE INFO				
	GA	TYP	NUMBER	TERM	TT	WD REF	NUMBER	TERM	TT	EMC/SEP	FT	NOTE	EFFECTIVITY
009Z			D00811	DED		31-51-11	D00819			N2			VS138-VS145
01A	24	PK	D04349J	43		31-51-33	D01489	49		N2	2		
10	22	PA	D00819	14		31-51-11	GDX0001	D..	2	N2	2		
11	24	PK	D01433	51		31-51-11	SM00022		W	N2	1		
12	24	PV	SM00018		W	31-51-11	D01433	27		N2	1		
012Z			SM00018	REF		31-51-11	D01433			N2			
13	24	PV	SM00047		W	31-51-11	D01433	32		N2	1		
013Z			SM00047	REF		31-51-11	D01433			N2			
14	24	PV	SM00049		W	31-51-11	D01433	17		N2	1		
014Z			SM00049	REF		31-51-11	D01433			N2			
15	22	PA	D01433	14		31-51-11	GDX0001	D..	2	N2	2		
16	20	PA	SM00028		W	31-51-11	GDX0005	D..	2	N2	2		
17	20	UA	GDX0002	S..	2	31-51-11	D00821			N2	2		
18	20	UA	GDX0005	S..	2	31-51-11	D00819			N2	2		
19	20	UA	D01433			31-51-11	GDX0002	S..	2	N2	2		
20	20	PA	GDX0005	D..	2	31-51-11	SM00029		W	N2	2		
21	20	UA	GDX0002	S..	2	31-51-11	D01503			N2	2		
23	20	UA	D00815			31-51-11	GDX0002	S..	2	N2	2		
24	24	PK	D04349J	38		31-51-11	SM00005		W	N2	1		
25	24	PK	D01503	A2		31-51-11	SM00005		W	N2	1		
26	20	PA	D01503	A3		31-51-11	GDX0003	D..	2	N2	2		
27	22	PQ	D01503	X2		31-51-11	D00811	75		N2	4		
027Z			D00811	DED		31-51-11	D01503			N2			
28	24	PV	D01503	X1		31-51-11	SM00015		W	N2	1		
028Z			SM00015	REF		31-51-11	D01503			N2			
29	24	PV	D00811	46		31-51-11	SM00015		W	N2	2		
029Z			SM00015	REF		31-51-11	D00811	DED		N2			
30	24	PK	SM00015		W	31-51-11	D11553	35		N2	1		
32	20	PA	D11553	11		31-51-11	GDX0003	D..	2	N2	2		
33	24	PK	D11553	37		31-51-11	D00811	34		N2	4		
34	24	PK	D11553	36		31-51-11	D00811	33		N2	4		
35	22	PA	D00815	14		31-51-11	GDX0001	D..	2	N2	2		

286T0045-301
Wire Bundle Assembly
Figure 104 (Sheet 2)

25-71-02



BOEING
COMPONENT
MAINTENANCE MANUAL

WIRES		FROM EQUIPMENT			TO EQUIPMENT			WIRES INFO					
NUMBER	GA	TYP	NUMBER	TERM	TT	WD REF	NUMBER	TERM	TT	EMC/SEP	FT	NOTE	EFFECTIVITY
36	24	PV	D00815	27		31-51-11	D00811	12		N2	3		
036Z			D00811	DED		31-51-11	D00815			N2			
37	24	PV	D00815	32		31-51-11	D00811	17		N2	3		
037Z			D00811	DED		31-51-11	D00815			N2			
38	24	PV	D00815	17		31-51-11	D00811	22		N2	3		
038Z			D00811	DED		31-51-11	D00815			N2			
39	24	PK	D00815	54		31-51-11	SM00020		W	N2	1		
40	24	PK	D00811	63		31-51-11	SM00020		W	N2	2		
41	24	PK	D00823	35		31-51-11	SM00020		W	N2	1		
42	24	PK	D01381	35		31-51-11	SM00020		W	N2	1		
45	22	PA	D01381	14		31-51-11	GDX0001	D..	2	N2	2		
46	22	PA	D01381	48		31-51-11	GDX0003	D..	2	N2	2		
47	24	PV	D01381	27		31-51-11	D00811	11		N2	3		
047Z			D00811	DED		31-51-11	D01381			N2			
48	24	PV	D01381	32		31-51-11	D00811	16		N2	3		
048Z			D00811	DED		31-51-11	D01381			N2			
49	24	PV	D01381	17		31-51-11	D00811	21		N2	3		
049Z			D00811	DED		31-51-11	D01381			N2			
52	22	PA	D00823	14		31-51-11	GDX0001	D..	2	N2	2		
53	22	PA	D00823	48		31-51-11	GDX0003	D..	2	N2	2		
54	24	PV	D00823	27		31-51-11	D00811	10		N2	3		
054Z			D00811	DED		31-51-11	D00823			N2			
55	24	PV	D00823	32		31-51-11	D00811	15		N2	3		
055Z			D00811	DED		31-51-11	D00823			N2			
56	24	PV	D00823	17		31-51-11	D00811	20		N2	3		
056Z			D00811	DED		31-51-11	D00823			N2			
57	22	PA	D00817	14		31-51-11	GDX0002	D..	2	N2	2		
58	24	PV	D00817	27		31-51-11	D00811	51		N2	3		
058Z			D00811	DED		31-51-11	D00817			N2			
59	24	PV	D00817	32		31-51-11	D00811	74		N2	3		
059Z			D00811	DED		31-51-11	D00817			N2			
60	24	PK	D00817	45		31-51-11	SM00021		W	N2	1		

286T0045-301
Wire Bundle Assembly
Figure 104 (Sheet 3)

25-71-02

WIRE			FROM EQUIPMENT				TO EQUIPMENT				WIRE INFO			
NUMBER	GA	TYP	NUMBER	TERM	TT	WD REF	NUMBER	TERM	TT	EMC/SEP	FT	NOTE	EFFECTIVITY	
61	24	PK	D00811	64		31-51-11	SM00021		W	N2	2			
62	24	PK	D01489	16		31-51-11	SM00021		W	N2	1			
63	24	PK	D01487	45		31-51-11	SM00021		W	N2	1			
64	24	PV	D01487	27		31-51-11	D00811	47		N2	3			
064Z			D00811	DED		31-51-11	D01487			N2				
65	24	PV	D01487	32		31-51-11	D00811	70		N2	3			
065Z			D00811	DED		31-51-11	D01487			N2				
66	22	PA	D01487	14		31-51-11	GDX0003	D..	2	N2	2			
67	24	PV	D01489	27		31-51-11	D00811	45		N2	3			
067Z			D00811	DED		31-51-11	D01489	50		N2	3			
68	24	PV	D01489	32		31-51-11	D00811			N2				
068Z			D00811	DED		31-51-11	D01489	36		N2	3			
69	24	PV	D01489	17		31-51-11	D00811			N2				
069Z			D00811	DED		31-51-11	D01489			N2				
70	22	PA	D01489	14		31-51-11	GDX0003	D..	2	N2	2			
71	20	UA	D01381			31-51-11	GDX0002	S..	2	N2	2			
72	20	UA	D00823			31-51-11	GDX0002	S..	2	N2	2			
73	20	UA	D00817			31-51-11	GDX0002	S..	2	N2	2			
74	20	PA	SM00026			31-51-11	GDX0005	D..	2	N2	2			
75	20	UA	D01487		W	31-51-11	GDX0005	S..	2	N2	2			
76	20	UA	GDX0005	S..	2	31-51-11	D01489			N2	2			
77	24	PK	D02261	40		31-41-35	D04349J	1		N2	2			
78	20	PA	SM00027		W	31-51-11	GDX0005	D..	2	N2	2			
79	22	PA	D00813	60		31-51-12	GDX0003	S..	2	N2	2			
80	22	PA	D00821	15		31-51-12	GDX0002	D..	2	N2	2			
81	24	PV	D00821	30		31-51-12	SM00073		W	N2	1			
081Z			D00821	DED		31-51-12	SM00073	REF		N2				
82	24	PV	D00821	33		31-51-12	SM00074		W	N2	1			
082Z			D00821	DED		31-51-12	SM00074	REF		N2				
83	24	PV	D00821	24		31-51-12	D00813	35		N2	3			
083Z			D00813	DED		31-51-12	D00821			N2				
84	24	PK	D00821	19		31-51-12	SM00025		W	N2	1			

286T0045-301
Wire Bundle Assembly
Figure 104 (Sheet 4)

25-71-02



BOEING
COMPONENT
MAINTENANCE MANUAL

WIRE		FROM EQUIPMENT			TO EQUIPMENT			WIRE INFO					
NUMBER	GA	TYP	NUMBER	TERM	TT	WD REF	NUMBER	TERM	TT	EMC/SEP	FT	NOTE	EFFECTIVITY
85	24	PK	D00813	65		31-51-12	SM00025		W	N2	2		
86	24	PK	D00819	3		31-51-12	SM00025		W	N2	1		
87	24	PK	D01433	18		31-51-12	SM00025		W	N2	1		
88	22	PA	D01433	15		31-51-12	GDX0002	D..	2	N2	2		
89	24	PV	D01433	30		31-51-12	SM00054		W	N2	1		
089Z			SM00054	REF		31-51-12	D01433		W	N2	1		
90	24	PV	D01433	33		31-51-12	SM00055		W	N2	1		
090Z			SM00055	REF		31-51-12	D01433		W	N2	1		
91	24	PV	D01433	24		31-51-12	SM00056		W	N2	1		
091Z			SM00056	REF		31-51-12	D01433		W	N2	1		
92	22	PA	D00819	15		31-51-12	GDX0002	D..	2	N2	2		
93	24	PV	D00819	30		31-51-12	D00813	13		N2	3		
093Z			D00813	DED		31-51-12	D00819			N2			
94	20	PA	SM00032		W	31-51-12	GDX0005	D..	2	N2			
95	24	PV	D01505	X2		31-51-12	D00813	75		N2	3		
095Z			D00813	DED		31-51-12	D01505		W	N2	1		
96	24	PV	D01505	X1		31-51-12	SM00016		W	N2	2		
096Z			SM00016	REF		31-51-12	D01505		W	N2	2		
97	24	PV	D00813	46		31-51-12	SM00016		W	N2	2		
097Z			SM00016	REF		31-51-12	D00813	DED		N2			
98	20	PA	SM00033		W	31-51-12	GDX0005	D..	2	N2			
99	24	PK	SM00016		W	31-51-12	D11553	25		N2	1		
10A	24	PK	D01489	21		31-51-33	D04349J	23		N2	2		
100	20	PA	D11553	1		31-51-12	GDX0003	D..	2	N2	2		
101	20	UA	D00821			31-51-12	GDX0004	S..	2	N2	2		
102	20	UA	D00819			31-51-12	GDX0004	S..	2	N2	2		
103	20	UA	D01433			31-51-12	GDX0004	S..	2	N2	2		
104	20	UA	D01505			31-51-12	GDX0005	S..	2	N2	2		
106	20	UA	D00815			31-51-12	GDX0004	S..	2	N2	2		
107	20	UA	D01381			31-51-12	GDX0004	S..	2	N2	2		
109	20	UA	D00817			31-51-12	GDX0004	S..	2	N2	2		
110	20	UA	D01487			31-51-12	GDX0001	S..	2	N2	2		

286T0045-301
Wire Bundle Assembly
Figure 104 (Sheet 5)

25-71-02

WIRE		FROM EQUIPMENT		TO EQUIPMENT		WIRE INFO							
NUMBER	GA	TYP	NUMBER	TERM	TT	WD REF	NUMBER	TERM	TT	EMC/SEP	FT	NOTE	EFFECTIVITY
111	20	UA	D01489			31-51-12	GDX0001	S..	2	N2	2		
112	22	PA	D00815	15		31-51-12	GDX0001	D..	2	N2	2		
113	24	PK	D01505	A2		31-51-12	SM00005		W	N2	1		
114	20	PA	D01505	A3		31-51-12	GDX0003	D..	2	N2	2		
115	24	PK	D02261	21		21-61-51	D04347J	25		N2	2		
116	24	PK	D00815	21		31-51-12	SM00023		W	N2	1		
117	24	PK	D00813	63		31-51-12	SM00023		W	N2	2		
118	24	PK	D00823	1		31-51-12	SM00023		W	N2	1		
119	24	PK	D01381	1		31-51-12	SM00023		W	N2	1		
120	22	PA	D01381	15		31-51-12	GDX0001	D..	2	N2	2		
121	24	PK	D00817	56		31-51-12	SM00024		W	N2	1		
122	24	PK	D00813	64		31-51-12	SM00024		W	N2	2		
123	24	PK	D01487	56		31-51-12	SM00024		W	N2	1		
124	22	PA	D00823	15		31-51-12	GDX0001	D..	2	N2	2		
125	20	UA	D00823			31-51-12	GDX0004	S..	2	N2	2		
126	24	FV	D00823	33		31-51-12	D00813	15		N2	3		
126Z			D00823			31-51-12	D00813	DED		N2			
127	24	FV	D00823	24		31-51-12	D00813	20		N2	3		
127Z			D00823			31-51-12	D00813	DED		N2			
128	22	PA	D00817	15		31-51-12	GDX0002	D..	2	N2	2		
129	24	FV	D00817	30		31-51-12	D00813	51		N2	3		
129Z			D00817			31-51-12	D00813	DED		N2			
130	24	FV	D00817	33		31-51-12	D00813	74		N2	3		
130Z			D00817			31-51-12	D00813	DED		N2			
131	24	FV	D00813	11		31-51-12	D01381	30		N2	3		
131Z			D01381			31-51-12	D00813	DED		N2			
132	24	FV	D00813	16		31-51-12	D01381	33		N2	3		
132Z			D01381			31-51-12	D00813	DED		N2			
133	24	FV	D01381	24		31-51-12	D00813	21		N2	3		
133Z			D01381			31-51-12	D00813	DED		N2			
134	24	PK	D01489	50		31-51-12	SM00024		W	N2	1		
135	24	FV	D01487	30		31-51-12	D00813	47		N2	3		

286T0045-301
Wire Bundle Assembly
Figure 104 (Sheet 6)

25-71-02



BOEING
COMPONENT
MAINTENANCE MANUAL

WIRE			FROM EQUIPMENT				TO EQUIPMENT				WIRE INFO			
NUMBER	GA	TYP	NUMBER	TERM	TT	WD REF	NUMBER	TERM	TT	EMC/SEP	FT	NOTE	EFFECTIVITY	
135Z			D01487			31-51-12	D00813	DED		N2				
136	24	PV	D01487	33		31-51-12	D00813	70		N2	3			
136Z			D01487			31-51-12	D00813	DED		N2				
137	22	PA	D01487	15		31-51-12	GDX0003	D..	2	N2	2			
138	24	PV	D01489	30		31-51-12	D00813	45		N2	3			
138Z			D01489			31-51-12	D00813	DED		N2				
139	24	PV	D01489	33		31-51-12	D00813	50		N2	3			
139Z			D01489			31-51-12	D00813	DED		N2				
140	24	PV	D01489	24		31-51-12	D00813	36		N2	3			
140Z			D01489			31-51-12	D00813	DED		N2				
141	22	PA	D01489	15		31-51-12	GDX0003	D..	2	N2	2			
142	24	PK	D00813	33		31-51-12	D11553	26		N2	3			
143	24	PK	D11553	27		31-51-12	D00813	34		N2	3			
144	24	PV	D00813	12		31-51-12	D00815	30		N2	3			
144Z			D00813	DED		31-51-12	D00815	DED		N2				
145	20	PA	SM00030		W	31-51-12	GDX0005	D..	2	N2				
146	24	PV	D00813	17		31-51-12	D00815	33		N2	3			
146Z			D00813	DED		31-51-12	D00815	DED		N2				
147	24	PV	D00813	22		31-51-12	D00815	24		N2	3			
147Z			D00813	DED		31-51-12	D00815	DED		N2				
148	24	PV	D00813	10		31-51-12	D00823	30		N2	3			
148Z			D00813	DED		31-51-12	D00823	DED		N2				
149	20	PA	SM00031		W	31-51-12	GDX0005	D..	2	N2				
150	22	PA	D04301J	6		27-32-11	D00823	34		N2	2			
151	24	PK	D04509J	1		27-32-11	D00823	39		N2	2			
152	24	PK	D04347J	26		27-32-11	D00823	40		N2	2			
153	24	PK	D00823	31		27-32-11	D04509J	6		N2	2			
154	20	PA	D04509J	7		27-32-11	GDX0001	D..	2	N2	2			
155	24	PK	SM00037		W	27-32-11	D04511J	3		N2	1			
156	24	PK	D00823	38		27-32-11	D04511J	2		N2	2			
157	24	PK	D04511J	4		27-32-11	SM00050		W	N2	1			
158	24	PK	SM00037		W	27-32-11	D00823	4		N2	1			

286T0045-301
Wire Bundle Assembly
Figure 104 (Sheet 7)

25-71-02

TESTING & TROUBLE SHOOTING

01

Page 136Y

Nov 01/02

WIRE		FROM EQUIPMENT				TO EQUIPMENT				WIRE INFO			
NUMBER	GA	TYP	NUMBER	TERM	TT	WD REF	NUMBER	TERM	TT	EMC/SEP	FT	NOTE	EFFECTIVITY
159	24	PK	D04349J	14		27-32-11	D00823	36		N2	1		
160	24	PK	D04349J	15		27-32-11	D00823	3		N2	1		
161	24	PK	D04349J	16		27-32-11	D00823	43		N2	1		
162	24	PK	D04349J	10		27-32-11	D00823	2		N2	1		
165	22	PA	D04349J	11		27-32-21	D01381	34		N2	2		
166	24	PK	D01381	40		27-32-21	D04349J	6		N2	2		
167	24	PK	D01381	31		27-32-21	D04511J	7		N2	2		
168	20	PA	GDX0002	D..	2	27-32-21	D04511J	8		N2	2		
169	24	PK	D04349J	34		27-32-21	D01381	36		N2	2		
170	24	PK	D04349J	35		27-32-21	D01381	3		N2	2		
171	24	PK	D04349J	36		27-32-21	D01381	43		N2	2		
172	24	PK	D04349J	37		27-32-21	D01381	2		N2	2		
173	24	PK	D04511J	13		27-32-21	D01381	4		N2	2		
174	24	PK	D04511J	16		27-32-21	D01381	37		N2	2		
175	24	PK	D04511J	15		27-32-21	D01381	38		N2	2		
176	24	PK	D04509J	8		27-32-21	D01381	39		N2	2		
177	24	PK	D00815	34		31-51-21	SM00057		W	N2	1		
178	24	PK	D00815	43		31-51-21	D01433	19		N2	2		
179	24	PK	D00815	10		31-51-21	D00819	5		N2	2		
180	24	PK	D04507J	5		31-51-21	SM00034		W	N2	1		
181	24	PK	SM00058		W	31-51-21	D00815	66		N2	1		
182	24	PK	D00815	4		31-51-21	SM00034		W	N2	1		
183	24	PK	D00815	11		31-51-21	D04349J	39		N2	2		
184	22	PA	D00815	37		31-51-21	SM00035		W	N2	1		
185	22	PA	D00815	42		31-51-21	SM00036		W	N2	1		
186	24	PK	D04349J	5		31-51-21	SM00012		W	N2	1		
187	24	PK	D00815	2		31-51-21	SM00012		W	N2	1		
188	24	PK	SM00011		W	31-51-21	D04349J	4		N2	1		
189	24	PK	SM00011		W	31-51-21	D00815	35		N2	1		
190	24	PK	D04349J	12		31-51-21	SM00009		W	N2	1		
191	24	PK	D00815	44		31-51-21	SM00009		W	N2	1		
192	24	PK	D04347J	10		31-51-21	SM00008		W	N2	1		

286T0045-301
Wire Bundle Assembly
Figure 104 (Sheet 8)

25-71-02



BOEING
COMPONENT
MAINTENANCE MANUAL

WIRE		FROM EQUIPMENT				TO EQUIPMENT				WIRE INFO			
NUMBER	GA	TYP	NUMBER	TERM	TT	WD REF	NUMBER	TERM	TT	EMC/SEP	FT	NOTE	EFFECTIVITY
193	24	PK	D00815	1		31-51-21	SM00008		W	N2	1		
194	24	PK	D04347J	11		31-51-21	SM00010		W	N2	1		
195	24	PK	D00815	36		31-51-21	SM00010		W	N2	1		
196	24	PK	SM00039		W	31-51-21	D04347J	21		N2	1		
197	24	PK	D00815	45		31-51-21	SM00039		W	N2	1		
198	24	PK	D00815	46		31-51-21	D04347J	6		N2	2		
199	20	PA	GDX0004	S..	2	31-51-31	D04597J	14		N2	2		
201B	24	PW	D01489	43		31-51-33	SM00004		W	N2	1		
201R	24	PW	D01489	9		31-51-33	SM00003		W	N2			
201Z			D01489	DED		31-51-33	SM00003	REF		N2			
204	20	UA	GDX0004	S..	2	27-32-11	D04507J	REF		N2	2		
204B	24	PW	D00823	18		27-32-11	D04507J	12		N2	1		
204R	24	PW	D00823	16		27-32-11	D04507J	11		N2			
204Z			D00823	DED		27-32-11	D04507J	REF		N2			
205B	24	PW	D00815	19		31-51-21	SM00007		W	N2	1		
205R	24	PW	D00815	52		31-51-21	SM00006		W	N2			
205Z			D00815	DED		31-51-21	SM00006	REF		N2			
207	20	UA	D04597J			31-51-21	GDX0004	S..	2	N2	2		
207B	24	PW	SM00007		W	31-51-21	D04597J	4		N2	1		
207R	24	PW	SM00006		W	31-51-21	D04597J	3		N2			
207Z			SM00006	REF		31-51-21	D04597J			N2			
208	20	UA	D04301J			34-16-11	GDX0002	S..	2	N2	2		
208B	24	PW	D00821	36		34-16-11	D04301J	9		N2	2		
208R	24	PW	D00821	2		34-16-11	D04301J	8		N2			
208Z			D00821	DED		34-16-11	D04301J			N2			
209B	24	PW	D01489	46		31-51-33	SM00007		W	N2	1		
209R	24	PW	D01489	12		31-51-33	SM00006		W	N2			
209Z			D01489	DED		31-51-33	SM00006	REF		N2			
212B	24	PW	D01433	36		31-51-42	SM00007		W	N2	1		
212R	24	PW	D01433	2		31-51-42	SM00006		W	N2			
212Z			D01433	DED		31-51-42	SM00006	REF		N2			
213	20	UA	D04507J			34-16-11	GDX0004	S..	2	N2	2		

286T0045-301
Wire Bundle Assembly
Figure 104 (Sheet 9)

25-71-02

TESTING & TROUBLE SHOOTING
01 Page 137
Nov 01/02

WIRE		FROM EQUIPMENT			TO EQUIPMENT			WIRE INFO					
NUMBER	GA	TYP	NUMBER	TERM	TT	WD REF	NUMBER	TERM	TT	EMC/ SEP	FT	NOTE	EFFECTIVITY
213B	24	PW	D00821	35		34-16-11	D04507J	8		N2	2		
213R	24	PW	D00821	1		34-16-11	D04507J	9		N2			
213Z			D00821	DED		34-16-11	D04507J			N2			
214	20	UA	D04349J			34-16-11	GDX0004	S..	2	N2	2		
214B	24	PW	D00821	37		34-16-11	D04349J	19		N2	2		
214R	24	PW	D00821	3		34-16-11	D04349J	18		N2			
214Z			D00821	DED		34-16-11	D04349J			N2			
215B	24	PL	D01487	24		31-51-31	D04597J	12		N2	2		
215R	24	PL	D01487	23		31-51-31	D04597J	13		N2			
216B	24	PL	D00817	24		31-51-32	D04303J	12		N2	2		
216R	24	PL	D00817	23		31-51-32	D04303J	11		N2			
221B	24	PW	D01489	45		31-51-33	SM00004		W	N2	1		
221R	24	PW	D01489	11		31-51-33	SM00003		W	N2			
221Z			D01489	DED		31-51-33	SM00003	REF		N2			
223B	24	PW	D00821	38		34-16-11	SM00004		W	N2	1		
223R	24	PW	D00821	4		34-16-11	SM00003		W	N2			
223Z			D00821	DED		34-16-11	SM00003	REF		N2			
224	20	UA	D04349J			27-32-21	GDX0004	S..	2	N2	2		
224B	24	PW	D04349J	28		27-32-21	D01381	18		N2	2		
224R	24	PW	D04349J	27		27-32-21	D01381	16		N2			
224Z			D04349J			27-32-21	D01381	DED		N2			
225B	22	PR	D00811	69		31-51-11	SM00060		W	N2	2		
225R	22	PR	D00811	68		31-51-11	SM00060		W	N2			
225Z			D00811	DED		31-51-11	SM00028	REF		N2			
226B	22	PR	D00813	69		31-51-12	SM00061		W	N2	2		
226R	22	PR	D00813	68		31-51-12	SM00061		W	N2			
226Z			D00813	DED		31-51-12	SM00030	REF		N2			
230	20	UA	D04347J			31-51-33	GDX0003	S..	2	N2	2		
230B	24	PW	D04347J	18		31-51-33	SM00004		W	N2	1		
230R	24	PW	D04347J	17		31-51-33	SM00003		W	N2			
230Z			D04347J			31-51-33	SM00003	REF		N2			
236	20	UA	D04347J			27-32-11	GDX0001	S..	2	N2	2		

286T0045-301
Wire Bundle Assembly
Figure 104 (Sheet 10)

25-71-02



BOEING
COMPONENT
MAINTENANCE MANUAL

WIRE NUMBER	WIRE		FROM EQUIPMENT			TO EQUIPMENT			WIRE INFO				
	GA	TYP	NUMBER	TERM	TT	WD REF	NUMBER	TERM	TT	EMC/SEP	FT	NOTE	EFFECTIVITY
236B	24	PW	D04347J	37		27-32-11	D00823	54		N2	2		
236R	24	PW	D04347J	36		27-32-11	D00823	23		N2			
236Z	24	PW	D04347J	40		27-32-11	D00823	DED		N2	2		
237B	24	PW	D04347J	39		27-32-11	D00823	13		N2			
237R	24	PW	D04347J	39		27-32-11	D00823	12		N2			
237Z	20	UA	D04347J	DED		27-32-11	D00823	DED		N2	2		
238	24	PW	D04349J	49		27-32-21	GDX0001	S..	2	N2	2		
238B	24	PW	D04349J	48		27-32-21	D01381	54		N2	2		
238R	24	PW	D04349J	48		27-32-21	D01381	23		N2			
238Z	24	PW	D04349J	20		27-32-21	D01381	DED		N2	2		
239B	24	PW	D01381	20		27-32-21	D04349J	55		N2	2		
239R	24	PW	D01381	19		27-32-21	D04349J	54		N2			
239Z	24	PL	D01381	DED		27-32-21	D04349J			N2			
240B	24	PL	D04347J	23		31-51-31	SM00080		W	N2	1		
240R	24	PL	D04347J	22		31-51-31	SM00042		W	N2	1		
241B	24	PL	D01487	60		31-51-31	SM00080		W	N2	1		
241R	24	PL	D01487	28		31-51-31	SM00042		W	N2	1		
242B	24	PL	D00817	60		31-51-32	SM00080		W	N2	1		
242R	24	PL	D00817	28		31-51-32	SM00042		W	N2	1		
243B	24	PW	D04349J	52		27-32-21	D01381	13		N2	2		
243R	24	PW	D04349J	51		27-32-21	D01381	12		N2			
243Z	24	PW	D04349J	DED		27-32-21	D01381	DED		N2	2		
245B	24	PW	D00823	20		27-32-11	D04347J	48		N2	2		
245R	24	PW	D00823	19		27-32-11	D04347J	47		N2	2		
245Z	20	UA	D00823	DED		27-32-11	D04347J			N2	2		
247	24	PW	D04349J	42		31-41-35	GDX0006	S..	2	N2	2		
247B	24	PW	D02261	43		31-41-35	D04349J	57		N2	2		
247R	24	PW	D02261	43		31-41-35	D04349J	56		N2			
247Z	20	UA	D02261	DED		31-41-35	D04349J			N2	2		
248	24	PW	D04349J	5		28-41-11	GDX0006	S..	2	N2	2		
248B	24	PW	D02261	8		28-41-11	D04349J	60		N2	2		
248R	24	PW	D02261	8		28-41-11	D04349J	59		N2	2		

286T0045-301
Wire Bundle Assembly
Figure 104 (Sheet 11)

25-71-02

TESTING & TROUBLE SHOOTING
01 Page 138A

Nov 01/02

WIRE		FROM EQUIPMENT			TO EQUIPMENT			WIRE INFO					
NUMBER	GA	TYP	NUMBER	TERM	TT	WD REF	NUMBER	TERM	TT	EMC/SEP	FT	NOTE	EFFECTIVITY
248Z			D02261	DED		28-41-11	D04349J	S..	2	N2	2		
249	20	UA	D02261	REF		32-45-11	GDX0003			N2	2		
249B	24	PW	D02261	46		32-45-11	D04511J	23		N2	2		
249R	24	PW	D02261	48		32-45-11	D04511J	22		N2			
249Z			D02261	REF		32-45-11	D04511J	24		N2			
271B	24	PL	D04597J	5		31-51-31	SM00088		W	N2	1		
271R	24	PL	D04597J	2		31-51-31	SM00087		W	N2	1		
272B	24	PL	D01487	63		31-51-31	SM00088		W	N2	1		
272R	24	PL	D01487	62		31-51-31	SM00087		W	N2	1		
273B	24	PL	D00817	63		31-51-32	SM00088		W	N2	1		
273R	24	PL	D00817	62		31-51-32	SM00087		W	N2	1		
280	24	PK	SM00093		W	31-51-41	D00819	20		N2	1		
281	22	PA	D01489	44		31-51-33	GDX0003	D..	2	N2	2		
282	24	PK	D01489	10		31-51-33	SM00093		W	N2	1		
285	24	PK	D01433	3		31-51-42	SM00097		W	N2	1		
287	24	PK	SM00097		W	34-16-11	D00821	41		N2	1		
290B	24	PW	D04597J	8		34-43-15	SM00104		W	N2	1		
290R	24	PW	D04597J	7		34-43-15	SM00103		W	N2	1		
290Z			D04597J	9		34-43-15	SM00103	REF		N2	1		
291B	24	PW	D04303J	4		34-43-15	SM00104		W	N2	1		
291R	24	PW	D04303J	3		34-43-15	SM00103		W	N2	1		
291Z			D04303J	5		34-43-15	SM00103	REF		N2	1		
292B	24	PW	D04347J	53		34-43-15	SM00104		W	N2	1		
292R	24	PW	D04347J	51		34-43-15	SM00103		W	N2	1		
292Z			D04347J	61		34-43-15	SM00103	REF		N2	1		
301	20	UA	SM00028	REF		31-51-11	GDX0005	S..	2	N2	1		
301B	22	PS	D00811	57		31-51-11	SM00028		W	N2	2		
301R	22	PS	D00811	38		31-51-11	SM00028		W	N2	1		
301Y	22	PS	D00811	58		31-51-11	SM00028		W	N2	1		
301Z			D00811	DED		31-51-11	SM00028	REF		N2	1		
302B	22	PS	D00811	42		31-51-11	SM00029		W	N2	2		
302R	22	PS	D00811	41		31-51-11	SM00029		W	N2	2		

286T0045-301
Wire Bundle Assembly
Figure 104 (Sheet 12)

25-71-02



BOEING
COMPONENT
MAINTENANCE MANUAL

WIRE		FROM EQUIPMENT			TO EQUIPMENT			WIRE INFO					
NUMBER	GA	TYP	NUMBER	TERM	TT	WD REF	NUMBER	TERM	TT	EMC / SEP	FT	NOTE	EFFECTIVITY
302Y	22	PS	D00811	43		31-51-11	SM00029		W	N2			
302Z			D00811	DED		31-51-11	SM00028	REF		N2			
303B	22	PS	D00811	8		31-51-11	SM00026		W	N2	2		
303R	22	PS	D00811	7		31-51-11	SM00026		W	N2			
303Y	22	PS	D00811	9		31-51-11	SM00026		W	N2			
303Z			D00811	DED		31-51-11	SM00028	REF		N2			
304B	22	PS	D00811	25		31-51-11	SM00027		W	N2	2		
304R	22	PS	D00811	24		31-51-11	SM00027		W	N2			
304Y	22	PS	D00811	37		31-51-11	SM00027		W	N2			
304Z			D00811	DED		31-51-11	SM00028	REF		N2			
305	20	UA	SM00030	REF		31-51-12	GDX0005	S..	2	N2	1		
305B	22	PS	D00813	8		31-51-12	SM00030		W	N2	2		
305R	22	PS	D00813	7		31-51-12	SM00030		W	N2			
305Y	22	PS	D00813	9		31-51-12	SM00030		W	N2			
305Z			D00813	DED		31-51-12	SM00030	REF		N2			
306B	22	PS	D00813	25		31-51-12	SM00031		W	N2	2		
306R	22	PS	D00813	24		31-51-12	SM00031		W	N2			
306Y	22	PS	D00813	37		31-51-12	SM00031		W	N2			
306Z			D00813	DED		31-51-12	SM00030	REF		N2			
307B	22	PS	D00813	57		31-51-12	SM00032		W	N2	2		
307R	22	PS	D00813	38		31-51-12	SM00032		W	N2			
307Y	22	PS	D00813	58		31-51-12	SM00032		W	N2			
307Z			D00813	DED		31-51-12	SM00030	REF		N2			
308B	22	PS	D00813	42		31-51-12	SM00033		W	N2	2		
308R	22	PS	D00813	41		31-51-12	SM00033		W	N2			
308Y	22	PS	D00813	43		31-51-12	SM00033		W	N2			
308Z			D00813	DED		31-51-12	SM00030	REF		N2			
512	24	PK	D02261	20		27-81-31	D04349J	8		N2	2		
515	24	PK	D02261	24		32-45-11	D04511J	9		N2	2		
521	24	PV	D04509J	12		24-33-13	D02261	50		N2	2		
521Z			D04509J	DED		24-33-13	D02361	DED		N2			
601	20	PA	SM00060		W	31-51-11	GDX0004	D..	2	N2			

286T0045-301
Wire Bundle Assembly
Figure 104 (Sheet 13)

25-71-02

WIRE			FROM EQUIPMENT				TO EQUIPMENT				WIRE INFO			
NUMBER	GA.	TYP	NUMBER	TERM	TT	WD REF	NUMBER	TERM	TT	EMC/SEP	FT	NOTE	EFFECTIVITY	
602	20	PA	SM00061		W	31-51-12	GDX0005	D..	2	N2				
603	24	PV	D04301J	5		31-51-12	M01103	INE	D	N2	1			
603Z			D04301J	DED		31-51-12	M01103			N2				
604	24	PV	D04301J	4		31-51-12	D00813	4		N2	3			
604Z			D04301J	DED		31-51-12	D00813			N2				
605	24	PV	D00813	1		31-51-12	M01103	OAD	D	N2	3			
605Z			D00813			31-51-12	M01103	DED		N2				
606	24	PV	D04349J	32		31-51-11	M01102	INE	D	N2	1			
606Z			D04349J	DED		31-51-11	M01102			N2				
607	24	PV	D04349J	33		31-51-11	D00811	4		N2	3			
607Z			D04349J	DED		31-51-11	D00811			N2				
608	24	PV	D00811	1		31-51-11	M01102	OAD	D	N2	3			
608Z			D00811			31-51-11	M01102	DED		N2				
610	24	PK	D00823	37		27-32-11	SM00050		W	N2	1			
611	24	PK	D01433	6		31-51-42	D04347J	20		N2	2			
612	24	PK	D01433	4		31-51-42	SM00050		W	N2	1			
613	24	PK	D04349J	30		31-51-31	SM00065		W	N2	1			
614	24	PK	D01487	52		31-51-31	SM00065		W	N2	1			
615	24	PK	D00817	52		31-51-32	SM00065		W	N2	1			
617	24	PK	D01381	11		27-32-12	D00823	56		N2	1			
618	24	PK	D01381	56		27-32-12	D00823	11		N2	1			
619	24	PK	D00823	45		27-32-12	SM00082		W	N2	1			
620	24	PK	D04349J	29		31-51-21	SM00071		W	N2	1			
621	24	PK	D00815	7		31-51-21	SM00071		W	N2	1			
622	24	PK	D01489	2		31-51-33	SM00071		W	N2	1			
623	24	PK	D01489	36		31-51-33	SM00038		W	N2	1			
624	24	PK	D00815	8		31-51-21	SM00045		W	N2	1			
625	24	PK	D01487	9		31-51-31	SM00034		W	N2	1			
628	22	PA	D01487	20		31-51-31	GDX0006	D..	2	N2	2			
630	22	PA	D01487	21		31-51-31	GDX0006	D..	2	N2	2			
631	24	PK	D00817	9		31-51-32	SM00034		W	N2	1			
634	22	PA	D00817	20		31-51-32	GDX0006	D..	2	N2	2			

286T0045-301
Wire Bundle Assembly
Figure 104 (Sheet 14)

25-71-02



BOEING
COMPONENT
MAINTENANCE MANUAL

WIRE		FROM EQUIPMENT			TO EQUIPMENT			WIRE INFO					
NUMBER	GA	TYP	NUMBER	TERM	TT	WD REF	NUMBER	TERM	TT	EMC/SEP	FT	NOTE	EFFECTIVITY
636	22	PA	D00817	21		31-51-32	GDX0006	D..	2	N2	2		
644	22	PQ	D00823	66		27-32-31	D04347J	42		N2	2		
644Z			D00823	DED		27-32-31	D04347J	DED		N2			
646	22	PQ	D01381	66		27-32-31	D04349J	42		N2	2		
646Z			D01381	DED		27-32-31	D04349J	DED		N2			
648	24	PK	D00821	40		34-16-11	D04347J	32		N2	2		
649	24	PK	SM00038		W	34-16-11	D04347J	33		N2	1		
652	24	PV	D00811	26		31-51-11	SM00068		W	N2	2		
652Z			D00811	DED		31-51-11	SM00068	REF		N2			
653	24	PV	D00811	49		31-51-11	SM00069		W	N2	2		
653Z			D00811	DED		31-51-11	SM00069	REF		N2			
654	24	PV	D01739	27		31-51-11	SM00068		W	N2	1		
654Z			D01739	DED		31-51-11	SM00068	REF		N2			
655	24	PV	D01739	32		31-51-11	SM00069		W	N2	1		
655Z			D01739	DED		31-51-11	SM00069	REF		N2			
656	24	PK	D01739	10		31-51-11	SM00022		W	N2	1		
657	22	PA	D01739	14		31-51-11	GDX0006	D..	2	N2	2		
658	24	PV	D01741	27		31-51-11	D00811	62		N2	3		
658Z			D01741			31-51-11	D00811	DED		N2			
659	24	PV	D01741	32		31-51-11	D00811	76		N2	3		
659Z			D01741			31-51-11	D00811	DED		N2			
660	20	UA	D01741			31-51-11	GDX0006	S..	2	N2	1		
661	24	PK	D01741	10		31-51-11	D00811	66		N2	3		
662	22	PA	D01741	14		31-51-11	GDX0006	D..	2	N2	1		
663	24	PV	D00813	26		31-51-12	SM00073		W	N2	2		
663Z			D00813	DED		31-51-12	SM00073	REF		N2			
664	24	PV	D00813	49		31-51-12	SM00074		W	N2	2		
664Z			D00813	DED		31-51-12	SM00074	REF		N2			
665	24	PV	D01739	30		31-51-12	SM00073		W	N2	1		
665Z			D01739	DED		31-51-12	SM00073	REF		N2			
666	24	PV	D01739	33		31-51-12	SM00074		W	N2	1		
666Z			D01739	DED		31-51-12	SM00074	REF		N2			

286T0045-301
Wire Bundle Assembly
Figure 104 (Sheet 15)

25-71-02

WIRE		FROM EQUIPMENT			TO EQUIPMENT			WIRE INFO					
NUMBER	GA	TYP	NUMBER	TERM	TT	WD REF	NUMBER	TERM	TT	EMC/SEP	FT	NOTE	EFFECTIVITY
667	24	PK	D01739	9		31-51-12	SM00025		W	N2	1		
668	22	PA	D01739	15		31-51-12	GDX0006	D..	2	N2	2		
669	24	PV	D01741	30		31-51-12	D00813	62		N2	2		
669Z			D01741			31-51-12	D00813	DED		N2			
670	24	PV	D01741	33		31-51-12	D00813	76		N2	2		
670Z			D01741			31-51-12	D00813	DED		N2			
671	20	UA	D01741			31-51-12	GDX0006	S..	2	N2	1		
672	24	PK	D01741	9		31-51-12	D00813	66		N2	2		
673	22	PA	D01741	15		31-51-12	GDX0006	D..	2	N2	1		
674	24	PK	D01739	24		31-51-31	D01487	53		N2	2		
675	24	PK	D01741	24		31-51-32	D00817	53		N2	2		
676	24	PK	D01739	1		31-51-35	SM00036		W	N2	1		
677	24	PK	D01739	3		31-51-35	SM00035		W	N2	1		
679	24	PK	D01741	1		31-51-36	SM00036		W	N2	1		
680	24	PK	D01741	3		31-51-36	SM00035		W	N2	1		
681	24	PK	D01433	10		31-51-43	D04507J	10		N2	2		
682	24	PK	D01433	13		31-51-43	D04347J	46		N2	2		
683	22	PA	D01433	41		31-51-43	SM00081		W	N2	1		
684	20	PA	GDX0001	D..	2	31-51-43	D04349J	47		N2	2		
685	24	PK	D00823	58		27-32-12	D01505	A1		N2	2		
686	24	PK	D00823	8		27-32-11	SM00038		W	N2	1		
687	24	PK	D00823	64		27-32-11	SM00081		W	N2	1		
688	24	PK	D01381	58		27-32-22	D01503	A1		N2	2		
689	24	PK	D01381	45		27-32-22	SM00085		W	N2	1		
692	24	PK	D01381	8		27-32-21	SM00038		W	N2	1		
693	24	PK	D04347J	30		31-51-21	D00815	6		N2	2		
694	22	PA	D04349J	46		31-51-43	SM00081		W	N2	1		
696	20	PA	GDX0003	D..	2	27-32-12	SM00082		W	N2	1		
697	20	PA	GDX0003	D..	2	27-32-22	SM00085		W	N2	1		
701	24	PK	D00815	49		31-51-21	D00815	22		N2	2		
702	24	PK	D00815	16		31-51-21	D00815	48		N2	2		
703	24	PK	D00819	6		31-51-41	SM00019		W	N2	1		

286T0045-301
Wire Bundle Assembly
Figure 104 (Sheet 16)

25-71-02



BOEING
COMPONENT
MAINTENANCE MANUAL

WIRE NUMBER	WIRE		FROM EQUIPMENT			TO EQUIPMENT			WIRE INFO				
	GA	TYP	NUMBER	TERM	TT	WD REF	NUMBER	TERM	TT	EMC/SEP	FT	NOTE	EFFECTIVITY
704	24	PK	SM00075		W	31-51-41	D04511J	14		N2	1		
705	24	PK	D00819	45		31-51-41	D04511J	12		N2	2		
706	24	PK	D00819	10		31-51-41	D04349J	31		N2	2		
707	24	PK	D00819	21		31-51-41	D04509J	4		N2	2		
708	24	PK	D00819	9		31-51-41	D04349J	7		N2	2		
709	24	PK	D00819	39		31-51-41	SM00044		W	N2	1		
710	24	PK	D00819	43		31-51-41	SM00037		W	N2	1		
711	24	PK	D00819	12		31-51-41	D04349J	21		N2	2		
712	24	PK	D00819	53		31-51-41	D04349J	3		N2	2		
713	24	PK	SM00093		W	31-51-41	D04347J	9		N2	1		
714	24	PK	D00819	44		31-51-41	D04349J	24		N2	2		
715	24	PK	D04507J	6		31-51-42	SM00019		W	N2	1		
716	24	PK	D01433	34		31-51-42	SM00019		W	N2	1		
717	24	PK	D01433	37		31-51-42	SM00034		W	N2	1		
718	24	PK	D01433	39		31-51-42	D04509J	2		N2	2		
720	24	PK	D01433	52		31-51-42	SM00040		W	N2	1		
721	24	PK	D01433	38		31-51-42	D04347J	24		N2	2		
722	24	PK	D01433	5		31-51-42	D04349J	22		N2	2		
723	24	PK	D04511J	11		31-51-42	SM00038		W	N2	1		
724	24	PK	D01433	40		31-51-42	SM00038		W	N2	1		
725	24	PK	SM00097		W	31-51-42	D04347J	13		N2	1		
726	22	PA	D04347J	14		31-51-21	SM00036		W	N2	1		
727	22	PA	D04301J	11		31-51-21	SM00035		W	N2	1		
728	24	PK	D04347J	1		31-51-41	D00819	35		N2	2		
729	24	PK	D04347J	2		31-51-41	D00819	1		N2	2		
730	24	PK	D04347J	3		31-51-41	D00819	36		N2	2		
731	24	PK	D04347J	4		31-51-41	D00819	2		N2	2		
732	24	PK	D04347J	5		31-51-42	D01433	20		N2	2		
733	24	PK	D04347J	16		34-16-11	D00821	65		N2	2		
734	24	PK	D04347J	8		31-51-31	SM00046		W	N2	1		
735	24	PK	D04507J	7		34-16-11	D00821	34		N2	2		
736	24	PK	D04507J	2		34-16-11	D00821	66		N2	2		

VS307-VS307
VS308-VS315VS561-VS570

286T0045-301
Wire Bundle Assembly
Figure 104 (Sheet 17)

25-71-02

TESTING & TROUBLE SHOOTING
01 Page 138G
Nov 01/02

WIRE NUMBER	WIRE		FROM EQUIPMENT		TO EQUIPMENT		WIRE INFO						
	GA	TYP	NUMBER	TERM	TT	WD REF	NUMBER	TERM	TT	EMC/SEP	FT	NOTE	EFFECTIVITY
737	24	PK	SM00041		W	34-16-11	D00821	31		N2	1		
738	24	PK	D04347J	19	W	34-16-11	D00821	7		N2	2		
739	24	PK	SM00075		W	34-16-11	D00821	6		N2	1		
741	24	PK	D00821	18		34-16-11	D00821	22		N2			
742	24	PK	D00821	50		34-16-11	D00821	48		N2			
746	24	PK	D04597J	10		31-51-31	SM00043		W	N2	1		
747	24	PK	D01487	46		31-51-31	SM00043		W	N2	1		
748	24	PK	D04347J	7		31-51-31	SM00045		W	N2	1		
749	24	PK	D01487	10		31-51-31	SM00045		W	N2	1		
750	24	PK	D01487	19		31-51-31	SM00046		W	N2	1		
751	24	PK	D01487	13		31-51-31	SM00040		W	N2	1		
752	24	PK	D01487	47		31-51-31	SM00044		W	N2	1		
753	24	PK	D01487	51		31-51-31	SM00041		W	N2	1		
757	24	PK	D01487	49		31-51-31	SM00039		W	N2	1		VS137-VS137 VS138-VS145
757	24	PK	D01487	11		31-51-31	SM00039		W	N2	1		
758	24	PK	D01487	22		31-51-31	D01489	23		N2	2		
759	24	PK	D01487	55		31-51-31	D01489	47		N2	2		
760	24	PK	D01487	34		31-51-31	D01489	51		N2	2		
761	24	PK	D01487	66		31-51-31	D01489	57		N2	2		
762	24	PK	D00817	10		31-51-32	SM00045		W	N2	1		
763	24	PK	D00817	46		31-51-32	SM00043		W	N2	1		
766	24	PV	D00817	49		31-51-32	SM00053		W	N2	1		
766	24	PV	D00817	11		31-51-32	SM00053		W	N2	1		
766Z			D00817	DED		31-51-32	SM00053	DED		N2	1	PAJ-F2	VS137-VS137 VS138-VS145
767	24	PK	D00817	19		31-51-32	SM00046		W	N2	1		
768	24	PK	D00817	13		31-51-32	SM00040		W	N2	1		
769	24	PK	D00817	47		31-51-32	SM00044		W	N2	1		
770	24	PK	D00817	51		31-51-32	SM00041		W	N2	1		
772	24	PK	D00817	22		31-51-32	D01489	54		N2	2		
773	24	PK	D00817	55		31-51-32	D01489	13		N2	2		
774	24	PK	D00817	34		31-51-32	D01489	25		N2	2		
775	24	PK	D00817	66		31-51-32	D01489	58		N2	2		

286T0045-301
Wire Bundle Assembly
Figure 104 (Sheet 18)

25-71-02



BOEING
COMPONENT
MAINTENANCE MANUAL

WIRE		FROM EQUIPMENT			TO EQUIPMENT			WIRE INFO					
NUMBER	GA	TYP	NUMBER	TERM	TT	WD REF	NUMBER	TERM	TT	EMC/SEP	FT	NOTE	EFFECTIVITY
776	24	PK	D01489	42		31-51-33	D04347J	15		N2	2		
777	24	PK	D01489	8		31-51-33	D04349J	13		N2	2		
779	24	PK	D01489	35		31-51-33	D04349J	40		N2	2		
780	24	PK	D01489	53		31-51-33	D04349J	2		N2	2		
781	24	PK	D01489	31		31-51-33	D01489	48		N2	2		
782	24	PK	D01489	18		31-51-33	D01489	22		N2	2		
783	24	PK	D01489	38		31-51-33	SM00008		W	N2	1		
784	24	PK	D01489	4		31-51-33	SM00011		W	N2	1		
785	24	PK	D01489	37		31-51-33	SM00012		W	N2	1		
786	24	PK	D01489	3		31-51-33	SM00010		W	N2	1		
787	24	PK	D01489	1		31-51-33	SM00009		W	N2	1		
788	24	PK	D01489	6		31-51-33	SM00034		W	N2	1		
789	24	PK	D01489	41		31-51-33	D04509J	11		N2	2		
791	24	PK	D01489	7		31-51-33	D04509J	10		N2	2		
792	24	PK	D01489	40		31-51-33	D04509J	9		N2	2		
793	24	PK	D00819	11		31-51-41	SM00075		W	N2	1		
794	20	PA	D04303J	10		31-51-32	GDX0004	S..	2	N2	2		
795	24	PK	D01433	9		31-51-42	D01433	48		N2	2		
796	24	PK	D01433	22		31-51-42	D01433	50		N2	2		
797	24	PV	D00815	41		31-51-21	SM00053	DED	W	N2	1		
797Z			D00815	DED		31-51-21	SM00053	DED		N2	1		
798	24	PV	D04349J	9		31-51-21	SM00053	DED	W	N2	1		
798Z			D04349J	DED		31-51-21	SM00053	DED		N2	1		
817	24	PK	D00823	55		27-32-12	D11553	6		N2	2		
818	24	PK	D00823	21		27-32-12	D11553	4		N2	2		
819	24	PK	D00823	51		27-32-12	D11553	3		N2	2		
820	24	PK	D00823	50		27-32-12	D11553	2		N2	2		
821	24	PK	D00823	49		27-32-12	D11553	7		N2	2		
822	24	PK	D00823	47		27-32-12	D11553	8		N2	2		
823	24	PK	D00823	46		27-32-12	D11553	9		N2	2		
824	24	PK	D00823	53		27-32-12	D11553	5		N2	2		
825	24	PK	D00823	62		27-32-12	D11553	24		N2	2		

286T0045-301
Wire Bundle Assembly
Figure 104 (Sheet 19)

25-71-02

WIRE		FROM EQUIPMENT			TO EQUIPMENT			WIRE INFO					
NUMBER	GA	TYP	NUMBER	TERM	TT	WD REF	NUMBER	TERM	TT	EMC/SEP	FT	NOTE	EFFECTIVITY
826	24	PK	D01381	55		27-32-22	D11553	16		N2	2		
827	24	PK	D01381	21		27-32-22	D11553	14		N2	2		
828	24	PK	D01381	51		27-32-22	D11553	13		N2	2		
829	24	PK	D01381	50		27-32-22	D11553	12		N2	2		
830	24	PK	D01381	49		27-32-22	D11553	17		N2	2		
831	24	PK	D01381	47		27-32-22	D11553	18		N2	2		
832	24	PK	D01381	46		27-32-22	D11553	19		N2	2		
833	24	PK	D01381	53		27-32-22	D11553	15		N2	2		
834	24	PK	D01381	62		27-32-22	D11553	34		N2	2		
835	24	PK	D04349J	50		27-32-21	D01381	64		N2	2		
836	20	PA	D04349J	53		27-32-21	GDX0002	S..	2	N2	2		
837	24	PK	D00823	42		27-32-12	SM00082		W	N2	1		
838	24	PK	D01381	42		27-32-22	SM00085		W	N2	1		
842	24	PK	D01381	6		27-32-22	SM00085		W	N2	1		
843	24	PK	D00823	6		27-32-12	SM00082		W	N2	1		
862	22	PA	D02261	30		31-41-35	GDX0006	S..	2	N2	1		
863	22	PA	D02261	32		31-41-35	GDX0006	S..	2	N2	1		
864	22	PA	D02261	33		31-41-35	GDX0006	S..	2	N2	1		
865	22	PA	D02261	64		31-41-35	GDX0006	S..	2	N2	1		
866	24	PV	D02261	27		31-51-11	SM00018	REF	W	N2	1		
866Z			D02261	DED		31-51-11	SM00018	REF	W	N2	1		
867	24	PV	D02261	28		31-51-11	SM00047	REF	W	N2	1		
867Z			D02261	DED		31-51-11	SM00047	REF	W	N2	1		
868	24	PV	D02261	29		31-51-12	SM00054	REF	W	N2	1		
868Z			D02261	DED		31-51-12	SM00054	REF	W	N2	1		
869	24	PK	D02261	34		31-51-12	SM00025		W	N2	1		
870	22	PA	D02261	56		31-51-12	GDX0001	S..	2	N2	2		
871	22	PA	D02261	57		31-51-12	GDX0003	S..	2	N2	2		
872	22	PA	D02261	59		31-51-11	GDX0005	S..	2	N2	1		
873	24	PV	D02261	60		31-51-12	SM00055	REF	W	N2	1		
873Z			D02261	DED		31-51-12	SM00055	REF	W	N2	1		
874	24	PV	D02261	62		31-51-11	SM00049		W	N2	1		

 286T0045-301
 Wire Bundle Assembly
 Figure 104 (Sheet 20)

25-71-02



BOEING
COMPONENT
MAINTENANCE MANUAL

WIRE			FROM EQUIPMENT				TO EQUIPMENT				WIRE INFO			
NUMBER	GA	TYP	NUMBER	TERM	TT	WD REF	NUMBER	TERM	TT	EMC/SEP	FT	NOTE	EFFECTIVITY	
874Z			D02261	DED		31-51-11	SM00049	REF		N2				
875	24	PV	D02261	63		31-51-12	SM00056		W	N2	1			
875Z			D02261	DED		31-51-12	SM00056	REF		N2				
876	24	PK	D02261	65		31-51-11	SM00022		W	N2	1			
877	24	PV	D00811	14		31-51-11	SM00018		W	N2	2			
877Z			D00811	DED		31-51-11	SM00018	REF		N2				
878	24	PV	D00811	48		31-51-11	SM00047		W	N2	2			
878Z			D00811	DED		31-51-11	SM00047	REF		N2				
879	24	PV	D00811	23		31-51-11	SM00049		W	N2	2			
879Z			D00811	DED		31-51-11	SM00049	REF		N2				
880	24	PV	D00813	14		31-51-12	SM00054		W	N2	2			
880Z			D00813	DED		31-51-12	SM00054	REF		N2				
881	24	PV	D00813	48		31-51-12	SM00055		W	N2	2			
881Z			D00813	DED		31-51-12	SM00055	REF		N2				
882	24	PV	D00813	23		31-51-12	SM00056		W	N2	2			
882Z			D00813	DED		31-51-12	SM00056	REF		N2				
883	22	PA	D02261	15		38-32-11	D04349J	26		N2	2			
884	22	PA	D02261	47		38-32-11	D04347J	27		N2	2			
885	24	PK	D04303J	9		31-51-21	SM00057		W	N2	1			
886	24	PK	D04507J	3		31-51-21	SM00058		W	N2	1			
887	24	PK	D04507J	1		31-51-21	SM00058		W	N2	1			
888	24	PK	SM00057		W	31-51-21	D04349J	44		N2	1			

286T0045-301
Wire Bundle Assembly
Figure 104 (Sheet 21)

25-71-02

WIRE		FROM EQUIPMENT		TO EQUIPMENT		WIRE INFO							
NUMBER	GA	TYP	NUMBER	TERM	TT	WD REF	NUMBER	TERM	TT	EMC / SEP	FT	NOTE	EFFECTIVITY
FRA			M01103			31-51-12	M01103	GND	D	N2			
FRB			D00813			31-51-12	D00813	59		N2			
FRC			M01102			31-51-11	M01102	GND	D	N2			
FRD			D00811			31-51-11	D00811	59		N2			
FRG			D04349J	58		31-41-35	D04349J			N2			
FRH			D04349J	61		28-41-11	D04349J	63		N2		DAW-B2	
PA1			D00815	47		99-99-99	D00815	57		N2		DAW-B2	
PA2			D00817	8		99-99-99	D00817	55		N2		DAW-B2	
PA3			D00819	41		99-99-99	D00819	60		N2		DAW-B2	
PA4			D00821	43		99-99-99	D00821	65		N2		DAW-B2	
PA5			D00823	52		99-99-99	D00823	61		N2		DAW-B2	
PA6			D01433	44		99-99-99	D01433	65		N2		DAW-B2	
PA7			D01381	52		99-99-99	D01381	57		N2		DAW-B2	
PA8			D01487	8		99-99-99	D01487	65		N2		DAW-B2	
PA9			D01489	56		99-99-99	D01489	61		N2		DAW-B2	
PB4			D02261	54		99-99-99	D02261			N2			
P01		SE	D11553							N2			
P01		SE	D11553							N2			
1	22	PA	D00811	60		31-51-11	GDX0001	S..	2	N2	3		VS112-VS113
2	22	PA	D00821	14		31-51-11	GDX0002	D..	2	N2	2		VS114-VS115
3	24	FV	D00811	26		31-51-11	D00821	27		N2	3		
003Z			D00811	DED		31-51-11	D00821	32		N2	3		
4	24	FV	D00811	49		31-51-11	D00821	17		N2	3		
004Z			D00811	DED		31-51-11	D00821	51		N2	1		
5	24	PV	D00811	35		31-51-11	D00821			N2	2		
005Z			D00811	DED		31-51-11	D00821			N2	2		
6	24	PK	SM00022		W	31-51-11	D00821			N2	1		
7	24	PK	D00811	65		31-51-11	SM00022			N2	2		
8	24	PK	D00819	37		31-51-11	SM00022			N2	1		
9	24	PV	D00819	27		31-51-11	D00811	13		N2	3		
009Z			D00811	DED		31-51-11	D00819			N2	2		
01A	24	PK	D04349J	43		31-51-33	D01489	49		N2	1		VS114-VS115

286T0045-302
Wire Bundle Assembly
Figure 105 (Sheet 1)

25-71-02



BOEING
COMPONENT
MAINTENANCE MANUAL

WIRE NUMBER	WIRE		FROM EQUIPMENT		TO EQUIPMENT		WIRE INFO	
	GA	TYP	NUMBER	TERM	WD REF	NUMBER	TERM	EMC / FT SEP
10	22	PA	D00819	14	31-51-11	GDX0001	D..	2 N2
11	24	PK	D01433	51	31-51-11	SM00022	W	2 N2
12	24	PV	SM00018		31-51-11	D01433	27	2 N2
012Z			SM00018	REF	31-51-11	D01433	32	2 N2
13	24	PV	SM00047		31-51-11	D01433		2 N2
013Z			SM00047	REF	31-51-11	D01433	17	2 N2
14	24	PV	SM00049		31-51-11	D01433		2 N2
014Z			SM00049	REF	31-51-11	D01433		2 N2
15	22	PA	D01433	14	31-51-11	GDX0001	D..	2 N2
16	20	PA	SM00028		31-51-11	GDX0005	D..	2 N2
17	20	UA	GDX0002	S..	31-51-11	D00821		2 N2
18	20	UA	GDX0005	S..	31-51-11	D00819		2 N2
19	20	UA	D01433		31-51-11	GDX0002	S..	2 N2
20	20	PA	GDX0005	D..	31-51-11	SM00029	W	2 N2
21	20	UA	GDX0002	S..	31-51-11	D01503		2 N2
23	20	UA	D00815		31-51-11	GDX0002	S..	2 N2
24	24	PK	D04349J	38	31-51-11	SM00005	W	2 N2
25	24	PK	D01503	A2	31-51-11	SM00005	W	2 N2
26	20	PA	D01503	A3	31-51-11	GDX0003	D..	2 N2
27	22	PQ	D01503	X2	31-51-11	D00811	75	2 N2
027Z			D00811	DED	31-51-11	D01503		2 N2
28	24	PV	D01503	X1	31-51-11	SM00015	W	2 N2
028Z			SM00015	REF	31-51-11	D01503		2 N2
29	24	PV	D00811	46	31-51-11	SM00015	W	2 N2
029Z			SM00015	REF	31-51-11	D00811	DED	2 N2
30	24	PK	SM00015		31-51-11	D11553	35	2 N2
32	20	PA	D11553	11	31-51-11	GDX0003	D..	2 N2
33	24	PK	D11553	37	31-51-11	D00811	34	2 N2
34	24	PK	D11553	36	31-51-11	D00811	33	2 N2
35	22	PA	D00815	14	31-51-11	GDX0001	D..	2 N2
36	24	PV	D00815	27	31-51-11	D00811	12	2 N2
036Z			D00811	DED	31-51-11	D00815		2 N2

286T0045-302
Wire Bundle Assembly
Figure 105 (Sheet 2)

25-71-02

WIRE		FROM EQUIPMENT			TO EQUIPMENT			WIRE INFO				
NUMBER	GA	TYP	NUMBER	TERM	TT	WD REF	NUMBER	TERM	TT	EMC/ FT	NOTE	EFFECTIVITY
37	24	PV	D00815	32		31-51-11	D00811	17		N2	3	
037Z			D00811	DED		31-51-11	D00815			N2		
38	24	PV	D00815	17		31-51-11	D00811	22		N2	1	
038Z			D00811	DED		31-51-11	D00815			N2	2	
39	24	PK	D00815	54		31-51-11	SM00020		W	N2	1	
40	24	PK	D00811	63		31-51-11	SM00020		W	N2	1	
41	24	PK	D00823	35		31-51-11	SM00020		W	N2	2	
42	24	PK	D01381	35		31-51-11	SM00020		W	N2	2	
45	22	PA	D01381	14		31-51-11	GDX0001	D..	2	N2	3	
46	22	PA	D01381	48		31-51-11	GDX0003	D..	2	N2		
47	24	PV	D01381	27		31-51-11	D00811	11		N2	3	
047Z			D00811	DED		31-51-11	D01381			N2		
48	24	PV	D01381	32		31-51-11	D00811	16		N2	3	
048Z			D00811	DED		31-51-11	D01381			N2		
49	24	PV	D01381	17		31-51-11	D00811	21		N2	2	
049Z			D00811	DED		31-51-11	D01381			N2	2	
52	22	PA	D00823	14		31-51-11	GDX0001	D..	2	N2	3	
53	22	PA	D00823	48		31-51-11	GDX0003	D..	2	N2		
54	24	PV	D00823	27		31-51-11	D00811	10		N2	3	
054Z			D00811	DED		31-51-11	D00823			N2		
55	24	PV	D00823	32		31-51-11	D00811	15		N2	3	
055Z			D00811	DED		31-51-11	D00823			N2		
56	24	PV	D00823	17		31-51-11	D00811	20		N2	2	
056Z			D00811	DED		31-51-11	D00823			N2	3	
57	22	PA	D00817	14		31-51-11	GDX0002	D..	2	N2		
58	24	PV	D00817	27		31-51-11	D00811	51		N2	3	
058Z			D00811	DED		31-51-11	D00817			N2		
59	24	PV	D00817	32		31-51-11	D00811	74		N2	1	
059Z			D00811	DED		31-51-11	D00817			N2	2	
60	24	PK	D00817	45		31-51-11	SM00021		W	N2	1	
61	24	PK	D00811	64		31-51-11	SM00021		W	N2	1	
62	24	PK	D01489	16		31-51-11	SM00021		W	N2	3	

286T0045-302
Wire Bundle Assembly
Figure 105 (Sheet 3)

25-71-02



BOEING
COMPONENT
MAINTENANCE MANUAL

WIRE		FROM EQUIPMENT		TO EQUIPMENT		WIRE INFO							
NUMBER	GA	TYP	NUMBER	TERM	TT	WD REF	NUMBER	TERM	TT	EMC/SEP	FT	NOTE	EFFECTIVITY
63	24	PK	D01487	45		31-51-11	SM00021		W	N2			
64	24	PV	D01487	27		31-51-11	D00811	47		N2	3		
064Z			D00811	DED		31-51-11	D01487			N2			
65	24	PV	D01487	32		31-51-11	D00811	70		N2	2		
065Z			D00811	DED		31-51-11	D01487			N2	3		
66	22	PA	D01487	14		31-51-11	GDX0003	D..	2	N2			
67	24	PV	D01489	27		31-51-11	D00811	45		N2	3		
067Z			D00811	DED		31-51-11	D01489			N2			
68	24	PV	D01489	32		31-51-11	D00811	50		N2	3		
068Z			D00811	DED		31-51-11	D01489			N2			
69	24	PV	D01489	17		31-51-11	D00811	36		N2	2		
069Z			D00811	DED		31-51-11	D01489			N2	2		
70	22	PA	D01489	14		31-51-11	GDX0003	D..	2	N2			
71	20	UA	D01381			31-51-11	GDX0002	S..	2	N2	2		
72	20	UA	D00823			31-51-11	GDX0002	S..	2	N2	2		
73	20	UA	D00817			31-51-11	GDX0002	S..	2	N2	2		
74	20	PA	SM00026		W	31-51-11	GDX0005	D..	2	N2	2		
75	20	UA	D01487			31-51-11	GDX0005	S..	2	N2	2		
76	20	UA	GDX0005	S..	2	31-51-11	D01489			N2			
77	24	PK	D02261	40		31-41-35	D04349J	1	2	N2	3		
78	20	PA	SM00027		W	31-51-11	GDX0005	D..	2	N2	2		
79	22	PA	D00813	60		31-51-12	GDX0003	S..	2	N2	3	UAE-F2	
80	22	PA	D00821	15		31-51-12	GDX0002	D..	2	N2			
81	24	PV	D00821	30		31-51-12	D00813	26		N2	3		
081Z			D00813	DED		31-51-12	D00821			N2			
82	24	PV	D00821	33		31-51-12	D00813	49		N2	3		
082Z			D00813	DED		31-51-12	D00821			N2			
83	24	PV	D00821	24		31-51-12	D00813	35		N2	1		
083Z			D00813	DED		31-51-12	D00821			N2	2		
84	24	PK	D00821	19		31-51-12	SM00025		W	N2	1		
85	24	PK	D00813	65		31-51-12	SM00025		W	N2	1		
86	24	PK	D00819	3		31-51-12	SM00025		W	N2	2		

286T0045-302
Wire Bundle Assembly
Figure 105 (Sheet 4)

25-71-02

WIRE NUMBER	GA	TYP	FROM EQUIPMENT		TO EQUIPMENT		WIRE INFO					
			NUMBER	TERM	TT	WD REF	NUMBER	TERM	TT	EMC/ SEP	FT	NOTE
87	24	PK	D01433	18		31-51-12	SM00025	W	N2	1		
88	22	PA	D01433	15		31-51-12	GDX0002	2	N2	1		
89	24	PV	D01433	30		31-51-12	SM00054	W	N2	1		
089Z	24	PV	SM00054	REF		31-51-12	D01433	W	N2	1		
090Z	24	PV	D01433	33		31-51-12	SM00055	W	N2	2		
091	24	PV	SM00055	REF		31-51-12	D01433	W	N2	2		
091Z	24	PV	D01433	24		31-51-12	SM00056	W	N2	3		
092	22	PA	SM00056	REF		31-51-12	D01433	2	N2	2		
093	24	PV	D00819	15		31-51-12	GDX0002	D..	N2	3		
093Z	24	PV	D00819	30		31-51-12	D00813	13	N2	3		
094	20	PA	D00813	DED	W	31-51-12	D00819	D..	N2	2		
095	24	PV	SM00032	15		31-51-12	GDX0005	75	N2	1		
095Z	24	PV	D01505	X2		31-51-12	D00813	75	N2	2		
096	24	PV	D00813	DED		31-51-12	D01505	W	N2	2		
096Z	24	PV	D01505	X1		31-51-12	SM00016	W	N2	2		
097	24	PV	SM00016	REF		31-51-12	D01505	W	N2	1		
097Z	20	PA	D00813	46		31-51-12	SM00016	DED	N2	2		
98	20	PA	SM00016	REF	W	31-51-12	D00813	2	N2	2		
99	24	PK	SM00033			31-51-12	GDX0005	D..	N2	2		
10A	24	PK	SM00016			31-51-12	D11553	25	N2	2		
100	20	PA	D01489	21		31-51-33	D04349J	23	N2	2		
101	20	UA	D11553	1		31-51-12	GDX0003	D..	N2	2		
102	20	UA	D00821			31-51-12	GDX0004	S..	N2	2		
103	20	UA	D00819			31-51-12	GDX0004	S..	N2	2		
104	20	UA	D01433			31-51-12	GDX0004	S..	N2	2		
106	20	UA	D01505			31-51-12	GDX0005	S..	N2	2		
107	20	UA	D00815			31-51-12	GDX0004	S..	N2	2		
109	20	UA	D01381			31-51-12	GDX0004	S..	N2	2		
110	20	UA	D00817			31-51-12	GDX0004	S..	N2	2		
111	20	UA	D01487			31-51-12	GDX0001	S..	N2	2		
112	22	PA	D01489			31-51-12	GDX0001	S..	N2	1		
			D00815	15		31-51-12	GDX0001	D..	N2	2		

286T0045-302
Wire Bundle Assembly
Figure 105 (Sheet 5)

25-71-02



BOEING
COMPONENT
MAINTENANCE MANUAL

WIRES		FROM EQUIPMENT		TO EQUIPMENT		WIRE INFO							
NUMBER	GA	TYP	NUMBER	TERM	TT	WD REF	NUMBER	TERM	TT	EMC/SEP	FT	NOTE	EFFECTIVITY
113	24	PK	D01505	A2		31-51-12	SM00005		W	N2	2		
114	20	PA	D01505	A3		31-51-12	GDX0003	D..	2	N2	1		
115	24	PK	D02261	21		21-61-51	D04347J	25		N2	2		
116	24	PK	D00815	21		31-51-12	SM00023		W	N2	1		
117	24	PK	D00813	63		31-51-12	SM00023		W	N2	1		
118	24	PK	D00823	1		31-51-12	SM00023		W	N2	2		
119	24	PK	D01381	1		31-51-12	SM00023		W	N2	1		
120	22	PA	D01381	15		31-51-12	GDX0001	D..	2	N2	2		
121	24	PK	D00817	56		31-51-12	SM00024		W	N2	1		
122	24	PK	D00813	64		31-51-12	SM00024		W	N2	2		
123	24	PK	D01487	56		31-51-12	SM00024		W	N2	2		
124	22	PA	D00823	15		31-51-12	GDX0001	D..	2	N2	3		
125	20	UA	D00823			31-51-12	GDX0004	S..	2	N2	2		
126	24	PV	D00823	33		31-51-12	D00813	15		N2	3		
126Z			D00823			31-51-12	D00813	DED		N2	2		
127	24	PV	D00823	24		31-51-12	D00813	20		N2	2		
127Z			D00823			31-51-12	D00813	DED		N2	3		
128	22	PA	D00817	15		31-51-12	GDX0002	D..	2	N2	3		
129	24	PV	D00817	30		31-51-12	D00813	51		N2	3		
129Z			D00817			31-51-12	D00813	DED		N2	3		
130	24	PV	D00817	33		31-51-12	D00813	74		N2	3		
130Z			D00817			31-51-12	D00813	DED		N2	3		
131	24	PV	D00813	11		31-51-12	D01381	30		N2	3		
131Z			D01381			31-51-12	D00813	DED		N2	3		
132	24	PV	D00813	16		31-51-12	D01381	33		N2	3		
132Z			D01381			31-51-12	D00813	DED		N2	3		
133	24	PV	D01381	24		31-51-12	D00813	21		N2	1		
133Z			D01381			31-51-12	D00813	DED		N2	3		
134	24	PK	D01489	50		31-51-12	SM00024		W	N2	3		
135	24	PV	D01487	30		31-51-12	D00813	47		N2	3		
135Z			D01487			31-51-12	D00813	DED		N2	3		
136	24	PV	D01487	33		31-51-12	D00813	70		N2	2		

286T0045-302
Wire Bundle Assembly
Figure 105 (Sheet 6)

25-71-02

NUMBER	WIRE		FROM EQUIPMENT		TO EQUIPMENT		WIRE INFO						
	GA	TYP	NUMBER	TERM	TT	WD REF	NUMBER	TERM	TT	EMC/ SEP	FT	NOTE	EFFECTIVITY
136Z													
137	22	PA	D01487			31-51-12	D00813	DED		N2	3		
138	24	PV	D01489	15		31-51-12	GDX0003	D..	2	N2			
138Z	24	PV	D01489	30		31-51-12	D00813	45		N2	3		
139	24	PV	D01489	33		31-51-12	D00813	DED		N2	3		
139Z	24	PV	D01489	24		31-51-12	D00813	DED		N2	2		
140	24	PV	D01489	24		31-51-12	D00813	36		N2	2		
140Z	24	PV	D01489	15		31-51-12	D00813	DED		N2	3		
141	22	PA	D01489	15		31-51-12	GDX0003	D..	2	N2	3		
142	24	PK	D00813	33		31-51-12	D11553	26		N2	3		
143	24	PK	D11553	27		31-51-12	D00813	34		N2	3		
144	24	PV	D00813	12		31-51-12	D00815	30		N2	3		
144Z	24	PV	D00813	DED		31-51-12	D00815			N2	3		
145	20	PA	SM00030		W	31-51-12	GDX0005	D..	2	N2			
146	24	PV	D00813	17		31-51-12	D00815	33		N2	3		
146Z	24	PV	D00813	DED		31-51-12	D00815			N2	3		
147	24	PV	D00813	22		31-51-12	D00815	24		N2	3		
147Z	24	PV	D00813	DED		31-51-12	D00815			N2	3		
148	24	PV	D00813	10		31-51-12	D00823	30		N2			
148Z	24	PV	D00813	DED		31-51-12	D00823			N2	2		
149	20	PA	SM00031		W	31-51-12	GDX0005	D..	2	N2	2		
150	22	PA	D04301J	6		27-32-11	D00823	34		N2	2		
151	24	PK	D04509J	1		27-32-11	D00823	39		N2	2		
152	24	PK	D04347J	26		27-32-11	D00823	40		N2	2		
153	24	PK	D00823	31		27-32-11	D04509J	6		N2	1		
154	20	PA	D04509J	7		27-32-11	GDX0001	D..	2	N2	2		
155	24	PK	SM00037		W	27-32-11	D04511J	3		N2	1		
156	24	PK	D00823	38		27-32-11	D04511J	2		N2	1		
157	24	PK	D04511J	4		27-32-11	SM00050		W	N2	1		
158	24	PK	SM00037		W	27-32-11	D00823	4		N2	1		
159	24	PK	D04349J	14		27-32-11	D00823	36		N2	1		
160	24	PK	D04349J	15		27-32-11	D00823	3		N2	1		

286T0045-302
Wire Bundle Assembly
Figure 105 (Sheet 7)

25-71-02



BOEING
COMPONENT
MAINTENANCE MANUAL

WIRE		FROM EQUIPMENT		TO EQUIPMENT		WIRE INFO							
NUMBER	GA	TYP	NUMBER	TERM	TT	WD REF	NUMBER	TERM	TT	EMC/ SEP	FT	NOTE	EFFECTIVITY
161	24	PK	D04349J	16		27-32-11	D00823	43		N2	2		
162	24	PK	D04349J	10		27-32-11	D00823	2		N2	2		
165	22	PA	D04349J	11		27-32-21	D01381	34		N2	2		
166	24	PK	D01381	40		27-32-21	D04349J	6		N2	2		
167	24	PK	D01381	31		27-32-21	D04511J	7		N2	2		
168	20	PA	GDX0002	D..	2	27-32-21	D04511J	8		N2	2		
169	24	PK	D04349J	34		27-32-21	D01381	36		N2	2		
170	24	PK	D04349J	35		27-32-21	D01381	3		N2	2		
171	24	PK	D04349J	36		27-32-21	D01381	43		N2	2		
172	24	PK	D04349J	37		27-32-21	D01381	2		N2	2		
173	24	PK	D04511J	13		27-32-21	D01381	4		N2	2		
174	24	PK	D04511J	16		27-32-21	D01381	37		N2	2		
175	24	PK	D04511J	15		27-32-21	D01381	38		N2	1		
176	24	PK	D04509J	8		27-32-21	D01381	39		N2	2		
177	24	PK	D00815	34		31-51-21	SM00057		W	N2	2		
178	24	PK	D00815	43		31-51-21	D01433	19		N2	1		
179	24	PK	D00815	10		31-51-21	D00819	5		N2	1		
180	24	PK	D04507J	5		31-51-21	SM00034		W	N2	1		
181	24	PK	SM00058		W	31-51-21	D00815	66		N2	2		
182	24	PK	D00815	4		31-51-21	SM00034		W	N2	1		
183	24	PK	D00815	11		31-51-21	D04349J	39		N2	1		
184	22	PA	D00815	37		31-51-21	SM00035		W	N2	1		
185	22	PA	D00815	42		31-51-21	SM00036		W	N2	1		
186	24	PK	D04349J	5		31-51-21	SM00012		W	N2	1		
187	24	PK	D00815	2		31-51-21	SM00012		W	N2	1		
188	24	PK	SM00011		W	31-51-21	D04349J	4		N2	1		
189	24	PK	SM00011		W	31-51-21	D00815	35		N2	1		
190	24	PK	D04349J	12		31-51-21	SM00009		W	N2	1		
191	24	PK	D00815	44		31-51-21	SM00009		W	N2	1		
192	24	PK	D04347J	10		31-51-21	SM00008		W	N2	1		
193	24	PK	D00815	1		31-51-21	SM00008		W	N2	1		
194	24	PK	D04347J	11		31-51-21	SM00010		W	N2	1		

286T0045-302
Wire Bundle Assembly
Figure 105 (Sheet 8)

25-71-02

WIRE		FROM EQUIPMENT		TO EQUIPMENT		WIRE INFO						
NUMBER	GA	TYP	NUMBER	TERM	WD REF	NUMBER	TERM	TT	EMC/ SEP	FT	NOTE	EFFECTIVITY
195	24	PK	D00815	36	31-51-21	SM00010		W	N2	1		
196	24	PK	SM00039		31-51-21	D04347J	21		N2	2		
197	24	PK	D00815	45	31-51-21	SM00039		W	N2	2		
198	24	PK	D00815	46	31-51-21	D04347J	6		N2	1		
199	20	PA	GDX0004	S..	31-51-31	D04597J	14		N2			
201B	24	PW	D01489	43	31-51-33	SM00004		W	N2	2		
201R	24	PW	D01489	9	31-51-33	SM00003		W	N2	2		
201Z			D01489	DED	31-51-33	SM00003	REF		N2	1		
204	20	UA	D04507J		27-32-11	GDX0004	S..	2	N2			
204B	24	PW	D00823	18	27-32-11	D04507J	12		N2			
204R	24	PW	D00823	16	27-32-11	D04507J	11		N2	1		
204Z			D04507J		27-32-11	D00823	DED		N2			
205B	24	PW	D00815	19	31-51-21	SM00007		W	N2	2		
205R	24	PW	D00815	52	31-51-21	SM00006		W	N2	2		
205Z			D00815	DED	31-51-21	SM00006	REF		N2	1		
207	20	UA	D04597J		31-51-21	GDX0004	S..	2	N2			
207B	24	PW	SM00007		31-51-21	D04597J	4		N2	2		
207R	24	PW	SM00006		31-51-21	D04597J	3		N2	2		
207Z			SM00006	REF	31-51-21	D04597J			N2	2		
208	20	UA	D04301J		34-16-11	GDX0002	S..	2	N2			
208B	24	PW	D00821	36	34-16-11	D04301J	9		N2			
208R	24	PW	D00821	2	34-16-11	D04301J	8		N2	1		
208Z			D00821	DED	34-16-11	D04301J			N2			
209B	24	PW	D01489	46	31-51-33	SM00007		W	N2			
209R	24	PW	D01489	12	31-51-33	SM00006		W	N2	1		
209Z			D01489	DED	31-51-33	SM00006	REF		N2			
212B	24	PW	D01433	36	31-51-42	SM00007		W	N2	2		
212R	24	PW	D01433	2	31-51-42	SM00006		W	N2	2		
212Z			D01433	DED	31-51-42	SM00006	REF		N2			
213	20	UA	D04507J		34-16-11	GDX0004	S..	2	N2			
213B	24	PW	D00821	35	34-16-11	D04507J	8		N2	2		
213R	24	PW	D00821	1	34-16-11	D04507J	9		N2	2		

286T0045-302
Wire Bundle Assembly
Figure 105 (Sheet 9)

25-71-02



BOEING
COMPONENT
MAINTENANCE MANUAL

WIRE		FROM EQUIPMENT			TO EQUIPMENT			WIRE INFO					
NUMBER	GA	TYP	NUMBER	TERM	TT	WD REF	NUMBER	TERM	TT	EMC/SEP	FT	NOTE	EFFECTIVITY
213Z			D00821	DED		34-16-11	D04507J			N2	2		
214	20	UA	D04349J			34-16-11	GDX0004	S..	2	N2			
214B	24	PW	D00821	37		34-16-11	D04349J	19		N2			
214R	24	PW	D00821	3		34-16-11	D04349J	18		N2	2		
214Z			D00821	DED		34-16-11	D04349J			N2			
215B	24	PL	D01487	24		31-51-31	D04597J	12		N2	2		
215R	24	PL	D01487	23		31-51-31	D04597J	13		N2			
216B	24	PL	D00817	24		31-51-32	D04303J	12		N2	1		
216R	24	PL	D00817	23		31-51-32	D04303J	11		N2			
221B	24	PW	D01489	45		31-51-33	SM00004		W	N2	1		
221R	24	PW	D01489	11		31-51-33	SM00003	REF	W	N2			
221Z			D01489	DED		31-51-33	SM00003			N2			
223B	24	PW	D00821	38		34-16-11	SM00004		W	N2	2		
223R	24	PW	D00821	4		34-16-11	SM00003	REF	W	N2	2		
223Z			D00821	DED		34-16-11	SM00003		2	N2			
224	20	UA	D04349J			27-32-21	GDX0004	S..		N2			
224B	24	PW	D04349J	28		27-32-21	D01381	18		N2			
224R	24	PW	D04349J	27		27-32-21	D01381	16		N2	2		
224Z			D04349J			27-32-21	D01381	DED		N2			
225B	22	PR	D00811	69		31-51-11	SM00060		W	N2	2		
225R	22	PR	D00811	68		31-51-11	SM00060		W	N2			
225Z			D00811	DED		31-51-11	SM00028	REF		N2			
226B	22	PR	D00813	69		31-51-12	SM00061		W	N2	2		
226R	22	PR	D00813	68		31-51-12	SM00061		W	N2			
226Z			D00813	DED		31-51-12	SM00030	REF		N2	1		
230	20	UA	D04347J			31-51-33	GDX0003	S..	2	N2			
230B	24	PW	D04347J	18		31-51-33	SM00004		W	N2	2		
230R	24	PW	D04347J	17		31-51-33	SM00003	REF	W	N2	2		
230Z			D04347J			31-51-33	SM00003		2	N2			
236	20	UA	D04347J			27-32-11	GDX0001	S..		N2			
236B	24	PW	D04347J	37		27-32-11	D00823	54		N2	2		
236R	24	PW	D04347J	36		27-32-11	D00823	23		N2	2		

286T0045-302
Wire Bundle Assembly
Figure 105 (Sheet 10)

25-71-02

TESTING & TROUBLE SHOOTING

01

Page 138U

Nov 01/02

WIRE		FROM EQUIPMENT		TO EQUIPMENT		WIRE INFO							
NUMBER	GA	TYP	NUMBER	TERM	TT	WD REF	NUMBER	TERM	TT	EMC/ SEP	FT	NOTE	EFFECTIVITY
236Z			D04347J			27-32-11	D00823	DED		N2			
237B	24	PW	D04347J	40		27-32-11	D00823	13		N2			
237R	24	PW	D04347J	39		27-32-11	D00823	12		N2	2		
237Z			D04347J			27-32-11	D00823	DED		N2	2		
238	20	UA	D04349J			27-32-21	GDX0001	S..	2	N2			
238B	24	PW	D04349J	49		27-32-21	D01381	54		N2			
238R	24	PW	D04349J	48		27-32-21	D01381	23		N2	2		
238Z			D04349J			27-32-21	D01381	DED		N2			
239B	24	PW	D01381	20		27-32-21	D04349J	55		N2			
239R	24	PW	D01381	19		27-32-21	D04349J	54		N2	1		
239Z			D01381	DED		27-32-21	D04349J			N2			
240B	24	PL	D04347J	23		31-51-31	SM00080		W	N2	1		
240R	24	PL	D04347J	22		31-51-31	SM00042		W	N2	1		
241B	24	PL	D01487	60		31-51-31	SM00080		W	N2	1		
241R	24	PL	D01487	28		31-51-31	SM00042		W	N2	2		
242B	24	PL	D00817	60		31-51-32	SM00080		W	N2			
242R	24	PL	D00817	28		31-51-32	SM00042		W	N2			
243B	24	PW	D04349J	52		27-32-21	D01381	13		N2			
243R	24	PW	D04349J	51		27-32-21	D01381	12		N2	2		
243Z			D04349J			27-32-21	D01381	DED		N2			
245B	24	PW	D00823	20		27-32-11	D04347J	48		N2			
245R	24	PW	D00823	19		27-32-11	D04347J	47		N2	2		
245Z			D00823	DED		27-32-11	D04347J			N2	2		
247	20	UA	D04349J			31-41-35	GDX0006	S..	2	N2			
247B	24	PW	D02261	42		31-41-35	D04349J	57		N2			
247R	24	PW	D02261	43		31-41-35	D04349J	56		N2	2		
247Z			D02261	DED		31-41-35	D04349J			N2	2		
248	20	UA	D04349J			28-41-11	GDX0006	S..	2	N2			
248B	24	PW	D02261	5		28-41-11	D04349J	60		N2			
248R	24	PW	D02261	8		28-41-11	D04349J	59		N2	1		
248Z			D02261	DED		28-41-11	D04349J			N2			
271B	24	PL	D04597J	5		31-51-31	SM00088		W	N2	1		

286T0045-302
Wire Bundle Assembly
Figure 105 (Sheet 11)

25-71-02



BOEING
COMPONENT
MAINTENANCE MANUAL

WIRE		FROM EQUIPMENT		TO EQUIPMENT		WIRE INFO	
NUMBER	GA	TYP	NUMBER	TERM	TT	WD REF	EMC/ FT
							SEP
271R	24	PL	D04597J	2		31-51-31	N2
272B	24	PL	D01487	63		31-51-31	N2
272R	24	PL	D01487	62		31-51-31	N2
273B	24	PL	D00817	63		31-51-32	N2
273R	24	PL	D00817	62		31-51-32	N2
290B	24	PW	D04597J	8		34-43-15	N2
290R	24	PW	D04597J	7		34-43-15	N2
290Z			D04597J	9		34-43-15	N2
291B	24	PW	D04303J	4		34-43-15	N2
291R	24	PW	D04303J	3		34-43-15	N2
291Z			D04303J	5		34-43-15	N2
292B	24	PW	D04347J	53		34-43-15	N2
292R	24	PW	D04347J	51		34-43-15	N2
292Z			D04347J	61		34-43-15	N2
301	20	UA	SM00028	REF		31-51-11	N2
301B	22	PS	D00811	57		31-51-11	N2
301R	22	PS	D00811	38		31-51-11	N2
301Y	22	PS	D00811	58		31-51-11	N2
301Z			D00811	DED		31-51-11	N2
302B	22	PS	D00811	42		31-51-11	N2
302R	22	PS	D00811	41		31-51-11	N2
302Y	22	PS	D00811	43		31-51-11	N2
302Z			D00811	DED		31-51-11	N2
303B	22	PS	D00811	8		31-51-11	N2
303R	22	PS	D00811	7		31-51-11	N2
303Y	22	PS	D00811	9		31-51-11	N2
303Z			D00811	DED		31-51-11	N2
304B	22	PS	D00811	25		31-51-11	N2
304R	22	PS	D00811	24		31-51-11	N2
304Y	22	PS	D00811	37		31-51-11	N2
304Z			D00811	DED		31-51-11	N2
305	20	UA	SM00030	REF		31-51-12	N2

286T0045-302
Wire Bundle Assembly
Figure 105 (Sheet 12)

25-71-02

WIRE NUMBER	WIRE		FROM EQUIPMENT			TO EQUIPMENT			WIRE INFO				
	GA	TYP	NUMBER	TERM	TT	WD REF	NUMBER	TERM	TT	EMC/ SEP	FT	NOTE	EFFECTIVITY
305B	22	PS	D00813	8		31-51-12	SM00030		W	N2			
305R	22	PS	D00813	7		31-51-12	SM00030		W	N2			
305Y	22	PS	D00813	9		31-51-12	SM00030		W	N2	2		
305Z	22	PS	D00813	DED		31-51-12	SM00030	REF	W	N2			
306B	22	PS	D00813	25		31-51-12	SM00031		W	N2			
306R	22	PS	D00813	24		31-51-12	SM00031		W	N2			
306Y	22	PS	D00813	37		31-51-12	SM00031		W	N2	2		
306Z	22	PS	D00813	DED		31-51-12	SM00030	REF	W	N2			
307B	22	PS	D00813	57		31-51-12	SM00032		W	N2			
307R	22	PS	D00813	38		31-51-12	SM00032		W	N2			
307Y	22	PS	D00813	58		31-51-12	SM00032		W	N2	2		
307Z	22	PS	D00813	DED		31-51-12	SM00030	REF	W	N2			
308B	22	PS	D00813	42		31-51-12	SM00033		W	N2			
308R	22	PS	D00813	41		31-51-12	SM00033		W	N2			
308Y	22	PS	D00813	43		31-51-12	SM00033		W	N2	2		
308Z	22	PS	D00813	DED		31-51-12	SM00030	REF	W	N2			
512	24	PK	D02261	20	W	27-81-31	D04349J	8	2	N2	1		
601	20	PA	SM00060		W	31-51-11	GDX0004	D..	2	N2			
602	20	PA	SM00061			31-51-12	GDX0005	D..	2	N2			
603	24	PV	D04301J	5		31-51-12	M01103	INE	D	N2	3		
603Z	24	PV	D04301J	DED		31-51-12	M01103		D	N2			
604	24	PV	D04301J	4		31-51-12	D00813	4	D	N2	3		
604Z	24	PV	D04301J	DED		31-51-12	D00813		D	N2			
605	24	PV	D00813	1		31-51-12	M01103	OAD	D	N2	1		
605Z	24	PV	D00813			31-51-12	M01103	DED	D	N2			
606	24	PV	D04349J	32		31-51-11	M01102	INE	D	N2	3		
606Z	24	PV	D04349J	DED		31-51-11	M01102		D	N2			
607	24	PV	D04349J	33		31-51-11	D00811	4		N2	3		
607Z	24	PV	D04349J	DED		31-51-11	D00811			N2			
608	24	PV	D00811	1		31-51-11	M01102	OAD	D	N2	1		
608Z	24	PV	D00811			31-51-11	M01102	DED	D	N2	2		
610	24	PK	D00823	37		27-32-11	SM00050		W	N2	1		

286T0045-302
Wire Bundle Assembly
Figure 105 (Sheet 13)

25-71-02



BOEING
COMPONENT
MAINTENANCE MANUAL

WIRE		FROM EQUIPMENT			TO EQUIPMENT		WIRE INFO					
NUMBER	GA	TYP	NUMBER	TERM	WD REF	NUMBER	TERM	TT	EMC/ SEP	FT	NOTE	EFFECTIVITY
611	24	PK	D01433	6	31-51-42	D04347J	20		N2	1		
612	24	PK	D01433	4	31-51-42	SM00050		W	N2	1		
613	24	PK	D04349J	30	31-51-31	SM00065		W	N2	1		
614	24	PK	D01487	52	31-51-31	SM00065		W	N2	1		
615	24	PK	D00817	52	31-51-32	SM00065		W	N2	1		
617	24	PK	D01381	11	27-32-12	D00823	56		N2	1		
618	24	PK	D01381	56	27-32-12	D00823	11	W	N2	1		
619	24	PK	D00823	45	27-32-12	SM00082		W	N2	1		
620	24	PK	D04349J	29	31-51-21	SM00071		W	N2	1		
621	24	PK	D00815	7	31-51-21	SM00071		W	N2	1		
622	24	PK	D01489	2	31-51-33	SM00071		W	N2	1		
623	24	PK	D01489	36	31-51-33	SM00038		W	N2	1		
624	24	PK	D00815	8	31-51-21	SM00045		W	N2	1		
625	24	PK	D01487	9	31-51-31	SM00034		W	N2	2		
631	24	PK	D00817	9	31-51-32	SM00034		W	N2	2		
644	22	PQ	D00823	66	27-32-31	D04347J	42	W	N2	2		
646Z	22	PQ	D00823	DED	27-32-31	D04347J	DED		N2	2		
646	22	PQ	D01381	66	27-32-31	D04349J	42		N2	2		
646Z	22	PQ	D01381	DED	27-32-31	D04349J	DED		N2	1		
648	24	PK	D04347J	32	34-16-11	D00821	40		N2	2		
649	24	PK	D04347J	33	34-16-11	SM00038		W	N2	2		
681	24	PK	D01433	10	31-51-43	D04507J	10		N2	1		
682	24	PK	D01433	13	31-51-43	D04347J	46		N2	2		
683	22	PA	D01433	41	31-51-43	SM00081		W	N2	2		
684	20	PA	GDX0001	D..	31-51-43	D04349J	47		N2	1		
685	24	PK	D00823	58	27-32-12	D01505	A1		N2	1		
686	24	PK	D00823	8	27-32-11	SM00038		W	N2	2		
687	24	PK	D00823	64	27-32-11	SM00081		W	N2	1		
688	24	PK	D01381	58	27-32-22	D01503	A1		N2	1		
689	24	PK	D01381	45	27-32-22	SM00085		W	N2	2		
692	24	PK	D01381	8	27-32-21	SM00038		W	N2	1		
693	24	PK	D04347J	30	31-51-21	D00815	6		N2	1		

286T0045-302
Wire Bundle Assembly
Figure 105 (Sheet 14)

25-71-02

WIRE		FROM EQUIPMENT			TO EQUIPMENT			WIRE INFO					
NUMBER	GA	TYP	NUMBER	TERM	TT	WD REF	NUMBER	TERM	TT	EMC/SEP	FT	NOTE	EFFECTIVITY
694	22	PA	D04349J	46		31-51-43	SM00081		W	N2	1		
696	20	PA	GDX0003	D..	2	27-32-12	SM00082		W	N2			
697	20	PA	GDX0003	D..	2	27-32-22	SM00085		W	N2			
701	24	PK	D00815	49		31-51-21	D00815	22		N2	1		
702	24	PK	D00815	16		31-51-21	D00815	48		N2	1		
703	24	PK	D00819	6		31-51-41	SM00019		W	N2	2		
704	24	PK	SM00075		W	31-51-41	D04511J	14		N2	2		
705	24	PK	D00819	45		31-51-41	D04511J	12		N2	2		
706	24	PK	D00819	10		31-51-41	D04349J	31		N2	2		
707	24	PK	D00819	21		31-51-41	D04509J	4		N2	1		
708	24	PK	D00819	9		31-51-41	D04349J	7		N2	1		
709	24	PK	D00819	39		31-51-41	SM00044		W	N2	2		
710	24	PK	D00819	43		31-51-41	SM00037		W	N2	2		
711	24	PK	D00819	12		31-51-41	D04349J	21		N2	2		
712	24	PK	D00819	53		31-51-41	D04349J	3		N2	2		
713	24	PK	D00819	20		31-51-41	D04347J	9		N2	1		
714	24	PK	D00819	44		31-51-41	D04349J	24		N2	1		
715	24	PK	D04507J	6		31-51-42	SM00019		W	N2	1		
716	24	PK	D01433	34		31-51-42	SM00019		W	N2	2		
717	24	PK	D01433	37		31-51-42	SM00034		W	N2	1		
718	24	PK	D01433	39		31-51-42	D04509J	2		N2	2		
720	24	PK	D01433	52		31-51-42	SM00040		W	N2	2		
721	24	PK	D01433	38		31-51-42	D04347J	24		N2	1		
722	24	PK	D01433	5		31-51-42	D04349J	22		N2	1		
723	24	PK	D04511J	11		31-51-42	SM00038		W	N2	2		
724	24	PK	D01433	40		31-51-42	SM00038		W	N2	1		
725	24	PK	D01433	3		31-51-42	D04347J	13		N2	1		
726	22	PA	D04347J	14		31-51-21	SM00036		W	N2	2		
727	22	PA	D04301J	11		31-51-21	SM00035		W	N2	2		
728	24	PK	D04347J	1		31-51-41	D00819	35		N2	2		
729	24	PK	D04347J	2		31-51-41	D00819	1		N2	2		
730	24	PK	D04347J	3		31-51-41	D00819	36		N2	2		

286T0045-302
Wire Bundle Assembly
Figure 105 (Sheet 15)

25-71-02



BOEING
COMPONENT
MAINTENANCE MANUAL

WIRE		FROM EQUIPMENT		TO EQUIPMENT		WIRE INFO							
NUMBER	GA	TYP	NUMBER	TERM	TT	WD REF	NUMBER	TERM	TT	EMC/SEP	FT	NOTE	EFFECTIVITY
731	24	PK	D04347J	4		31-51-41	D00819	2		N2	2		
732	24	PK	D04347J	5		31-51-42	D01433	20		N2	1		
733	24	PK	D04347J	16		34-16-11	D00821	65		N2	2		
734	24	PK	D04347J	8		31-51-31	SM00046		W	N2	2		
735	24	PK	D04507J	7		34-16-11	D00821	34		N2	1		
736	24	PK	D04507J	2		34-16-11	D00821	66		N2	2		
737	24	PK	SM00041		W	34-16-11	D00821	31		N2	1		
738	24	PK	D04347J	19		34-16-11	D00821	7		N2			
739	24	PK	SM00075		W	34-16-11	D00821	6		N2			
741	24	PK	D00821	18		34-16-11	D00821	22		N2	1		
742	24	PK	D00821	50		34-16-11	D00821	48		N2	1		
746	24	PK	D04597J	10		31-51-31	SM00043		W	N2	1		
747	24	PK	D01487	46		31-51-31	SM00043		W	N2	1		
748	24	PK	D04347J	7		31-51-31	SM00045		W	N2	1		
749	24	PK	D01487	10		31-51-31	SM00045		W	N2	1		
750	24	PK	D01487	19		31-51-31	SM00046		W	N2	1		
751	24	PK	D01487	13		31-51-31	SM00040		W	N2	1		
752	24	PK	D01487	47		31-51-31	SM00044		W	N2	1		
753	24	PK	D01487	51		31-51-31	SM00041		W	N2			
755	24	PV	D01487	1		31-51-31	SM00035		W	N2	1		
755Z			D01487	DED		31-51-31	SM00035	DED		N2	1		
756	24	PK	D01487	50		31-51-31	SM00036		W	N2	1		
757	24	PK	D01487	49		31-51-31	SM00039		W	N2	2		VS112-VS112
757	24	PK	D01487	11		31-51-31	SM00039		W	N2	2		VS113-VS115
758	24	PK	D01487	22		31-51-31	D01489	23		N2	2		
759	24	PK	D01487	55		31-51-31	D01489	47		N2	2		
760	24	PK	D01487	34		31-51-31	D01489	51		N2	1		
761	24	PK	D01487	66		31-51-31	D01489	57		N2	1		
762	24	PK	D00817	10		31-51-32	SM00045		W	N2	1		
763	24	PK	D00817	46		31-51-32	SM00043		W	N2			
764	24	PV	D00817	1		31-51-32	SM00035		W	N2	1		
764Z			D00817	DED		31-51-32	SM00035	DED		N2	1		

286T0045-302
Wire Bundle Assembly
Figure 105 (Sheet 16)

25-71-02

TESTING & TROUBLE SHOOTING
01 Page 139
Nov 01/02

WIRE		FROM EQUIPMENT		TO EQUIPMENT		WIRE INFO							
NUMBER	GA	TYP	NUMBER	TERM	TT	WD REF	NUMBER	TERM	TT	EMC / SEP	FT	NOTE	EFFECTIVITY
765	24	PK	D00817	50		31-51-32	SM00036		W	N2	1		VS112-VS112 VS113-VS115
766	24	PV	D00817	49		31-51-32	SM00053		W	N2			
766	24	PV	D00817	11		31-51-32	SM00053		W	N2	1		
766Z			D00817	DED		31-51-32	SM00053	DED		N2	1		
767	24	PK	D00817	19		31-51-32	SM00046		W	N2	1		
768	24	PK	D00817	13		31-51-32	SM00040		W	N2	1		
769	24	PK	D00817	47		31-51-32	SM00044		W	N2	2		
770	24	PK	D00817	51		31-51-32	SM00041		W	N2	2		
772	24	PK	D00817	22		31-51-32	D01489	54		N2	2		
773	24	PK	D00817	55		31-51-32	D01489	13		N2	2		
774	24	PK	D00817	34		31-51-32	D01489	25		N2	2		
775	24	PK	D00817	66		31-51-32	D01489	58		N2	2		
776	24	PK	D01489	42		31-51-33	D04347J	15		N2	2		
777	24	PK	D01489	8		31-51-33	D04349J	13		N2	2		
779	24	PK	D01489	35		31-51-33	D04349J	40		N2	2		
780	24	PK	D01489	53		31-51-33	D04349J	2		N2			
781	24	PK	D01489	31		31-51-33	D01489	48		N2	1		
782	24	PK	D01489	18		31-51-33	D01489	22		N2	1		
783	24	PK	D01489	38		31-51-33	SM00008		W	N2	1		
784	24	PK	D01489	4		31-51-33	SM00011		W	N2	1		
785	24	PK	D01489	37		31-51-33	SM00012		W	N2	1		
786	24	PK	D01489	3		31-51-33	SM00010		W	N2	1		
787	24	PK	D01489	1		31-51-33	SM00009		W	N2	2		
788	24	PK	D01489	6		31-51-33	SM00034		W	N2	2		
789	24	PK	D01489	41		31-51-33	D04509J	11		N2	2		
791	24	PK	D01489	7		31-51-33	D04509J	10		N2	1		
792	24	PK	D01489	40		31-51-33	D04509J	9		N2	2		
793	24	PK	D00819	11		31-51-41	SM00075		W	N2			
794	20	PA	D04303J	10		31-51-32	GDX0004	S..	2	N2			
795	24	PK	D01433	9		31-51-42	D01433	48		N2	1		
796	24	PK	D01433	22		31-51-42	D01433	50		N2			
797	24	PV	D00815	41		31-51-21	SM00053		W	N2	1		

286T0045-302
Wire Bundle Assembly
Figure 105 (Sheet 17)

25-71-02



BOEING
COMPONENT
MAINTENANCE MANUAL

WIRE		FROM EQUIPMENT		TO EQUIPMENT		WIRE INFO							
NUMBER	GA	TYP	NUMBER	TERM	TT	WD REF	NUMBER	TERM	TT	EMC/SEP	FT	NOTE	EFFECTIVITY
797Z			D00815	DED		31-51-21	SM00053	DED		N2			
798	24	PV	D04349J	9		31-51-21	SM00053		W	N2	2		
798Z			D04349J	DED		31-51-21	SM00053	DED		N2	2		
817	24	PK	D00823	55		27-32-12	D11553	6		N2	2		
818	24	PK	D00823	21		27-32-12	D11553	4		N2	2		
819	24	PK	D00823	51		27-32-12	D11553	3		N2	2		
820	24	PK	D00823	50		27-32-12	D11553	2		N2	2		
821	24	PK	D00823	49		27-32-12	D11553	7		N2	2		
822	24	PK	D00823	47		27-32-12	D11553	8		N2	2		
823	24	PK	D00823	46		27-32-12	D11553	9		N2	2		
824	24	PK	D00823	53		27-32-12	D11553	5		N2	2		
825	24	PK	D00823	62		27-32-12	D11553	24		N2	2		
826	24	PK	D01381	55		27-32-22	D11553	16		N2	2		
827	24	PK	D01381	21		27-32-22	D11553	14		N2	2		
828	24	PK	D01381	51		27-32-22	D11553	13		N2	2		
829	24	PK	D01381	50		27-32-22	D11553	12		N2	2		
830	24	PK	D01381	49		27-32-22	D11553	17		N2	2		
831	24	PK	D01381	47		27-32-22	D11553	18		N2	2		
832	24	PK	D01381	46		27-32-22	D11553	19		N2	2		
833	24	PK	D01381	53		27-32-22	D11553	15		N2	2		
834	24	PK	D01381	62		27-32-22	D11553	34		N2	2		
835	24	PK	D04349J	50		27-32-21	D01381	64		N2	1		
836	20	PA	D04349J	53		27-32-21	GDX0002	S..	2	N2	1		
837	24	PK	D00823	42		27-32-12	SM00082		W	N2	1		
838	24	PK	D01381	42		27-32-22	SM00085		W	N2	1		
862	22	PA	D02261	30		31-41-35	GDX0006	S..	2	N2	1		
863	22	PA	D02261	32		31-41-35	GDX0006	S..	2	N2	1		
864	22	PA	D02261	33		31-41-35	GDX0006	S..	2	N2	1		
865	22	PA	D02261	64		31-41-35	GDX0006	S..	2	N2	1		
866	24	PV	D02261	27		31-51-11	SM00018		W	N2	1		
866Z			D02261	DED		31-51-11	SM00018	REF		N2			
867	24	PV	D02261	28		31-51-11	SM00047		W	N2	1		

286T0045-302
Wire Bundle Assembly
Figure 105 (Sheet 18)

25-71-02

TESTING & TROUBLE SHOOTING
01 Page 140A
Nov 01/02

WIRE		FROM EQUIPMENT			TO EQUIPMENT			WIRE INFO					
NUMBER	GA	TYP	NUMBER	TERM	TT	WD REF	NUMBER	TERM	TT	EMC/SEP	FT	NOTE	EFFECTIVITY
867Z			D02261	DED		31-51-11	SM00047	REF		N2			
868	24	FV	D02261	29		31-51-12	SM00054		W	N2	1		
868Z			D02261	DED		31-51-12	SM00054	REF		N2	2		
869	24	PK	D02261	34		31-51-12	SM00025		W	N2	2		
870	22	PA	D02261	56		31-51-12	GDX0001	S..	2	N2	1		
871	22	PA	D02261	57		31-51-12	GDX0003	S..	2	N2	1		
872	22	PA	D02261	59		31-51-11	GDX0005	S..	2	N2	1		
873	24	FV	D02261	60		31-51-12	SM00055		W	N2	1		
873Z			D02261	DED		31-51-12	SM00055	REF		N2			
874	24	PV	D02261	62		31-51-11	SM00049		W	N2	1		
874Z			D02261	DED		31-51-11	SM00049	REF		N2			
875	24	FV	D02261	63		31-51-12	SM00056		W	N2	1		
875Z			D02261	DED		31-51-12	SM00056	REF		N2	2		
876	24	PK	D02261	65		31-51-11	SM00022		W	N2			
877	24	PV	D00811	14		31-51-11	SM00018		W	N2	2		
877Z			D00811	DED		31-51-11	SM00018	REF		N2			
878	24	FV	D00811	48		31-51-11	SM00047		W	N2	2		
878Z			D00811	DED		31-51-11	SM00047	REF		N2			
879	24	FV	D00811	23		31-51-11	SM00049		W	N2	2		
879Z			D00811	DED		31-51-11	SM00049	REF		N2			
880	24	FV	D00813	14		31-51-12	SM00054		W	N2	2		
880Z			D00813	DED		31-51-12	SM00054	REF		N2			
881	24	PV	D00813	48		31-51-12	SM00055		W	N2	2		
881Z			D00813	DED		31-51-12	SM00055	REF		N2			
882	24	PV	D00813	23		31-51-12	SM00056		W	N2	2		
882Z			D00813	DED		31-51-12	SM00056	REF		N2			
883	22	PA	D02261	15		38-32-11	D04349J	26		N2	1		
884	22	PA	D02261	47		38-32-11	D04347J	27		N2	1		
885	24	PK	D04303J	9		31-51-21	SM00057		W	N2	1		
886	24	PK	D04507J	3		31-51-21	SM00058		W	N2	1		
887	24	PK	D04507J	1		31-51-21	SM00058		W	N2	1		
888	24	PK	SM00057		W	31-51-21	D04349J	44		N2			

286T0045-302
Wire Bundle Assembly
Figure 105 (Sheet 19)

25-71-02



BOEING
COMPONENT
MAINTENANCE MANUAL

WIRE		FROM EQUIPMENT		TO EQUIPMENT		WIRE INFO							
NUMBER	G/A	TYP	NUMBER	TERM	TT	WD REF	NUMBER	TERM	TT	EMC/SEP	FT	NOTE	EFFECTIVITY
826	24	PK	D01381	55		27-32-22	D11553	16		N2			
827	24	PK	D01381	21		27-32-22	D11553	14		N2			
828	24	PK	D01381	51		27-32-22	D11553	13		N2			
829	24	PK	D01381	50		27-32-22	D11553	12		N2			
830	24	PK	D01381	49		27-32-22	D11553	17		N2			
831	24	PK	D01381	47		27-32-22	D11553	18		N2			
832	24	PK	D01381	46		27-32-22	D11553	19		N2			
833	24	PK	D01381	53		27-32-22	D11553	15		N2			
834	24	PK	D01381	62		27-32-22	D11553	34		N2			
835	24	PK	D04349J	50		27-32-21	D01381	64		N2			
836	20	PA	D04349J	53		27-32-21	GDX0002	S..	2	N2			
837	24	PK	D00823	42		27-32-12	SM00082		W	N2			
838	24	PK	D01381	42		27-32-22	SM00085		W	N2			
842	24	PK	D01381	6		27-32-22	SM00085		W	N2			
843	24	PK	D00823	6		27-32-12	SM00082		W	N2			
862	22	PA	D02261	30		31-41-35	GDX0006	S..	2	N2			
863	22	PA	D02261	32		31-41-35	GDX0006	S..	2	N2			
864	22	PA	D02261	33		31-41-35	GDX0006	S..	2	N2			
865	22	PA	D02261	64		31-41-35	GDX0006	S..	2	N2			
866	24	PV	D02261	27		31-51-11	SM00018		W	N2			
866Z			D02261	DED		31-51-11	SM00018	REF		N2			
867	24	PV	D02261	28		31-51-11	SM00047		W	N2			
867Z			D02261	DED		31-51-11	SM00047	REF		N2			
868	24	PV	D02261	29		31-51-12	SM00054		W	N2			
868Z			D02261	DED		31-51-12	SM00054	REF		N2			
869	24	PK	D02261	34		31-51-12	SM00025		W	N2			
870	22	PA	D02261	56		31-51-12	GDX0001	S..	2	N2			
871	22	PA	D02261	57		31-51-12	GDX0003	S..	2	N2			
872	22	PA	D02261	59		31-51-11	GDX0005	S..	2	N2			
873	24	PV	D02261	60		31-51-12	SM00055		W	N2			
873Z			D02261	DED		31-51-12	SM00055	REF		N2			
874	24	PV	D02261	62		31-51-11	SM00049		W	N2			

286T0045-302
Wire Bundle Assembly
Figure 105 (Sheet 20)

25-71-02

TESTING & TROUBLE SHOOTING

01

Page 140C

Nov 01/02

WIRE		FROM EQUIPMENT			TO EQUIPMENT			WIRE INFO				
NUMBER	GA	TYP	NUMBER	TERM	TT	WD REF	NUMBER	TERM	TT	EMC/SEP	NOTE	EFFECTIVITY
874Z			D02261	DED		31-51-11	SM00049	REF		N2		
875	24	PV	D02261	63		31-51-12	SM00056		W	N2		
875Z			D02261	DED		31-51-12	SM00056	REF		N2		
876	24	PK	D02261	65		31-51-11	SM00022		W	N2		
877	24	PV	D00811	14		31-51-11	SM00018		W	N2		
877Z			D00811	DED		31-51-11	SM00018	REF		N2		
878	24	PV	D00811	48		31-51-11	SM00047		W	N2		
878Z			D00811	DED		31-51-11	SM00047	REF		N2		
879	24	PV	D00811	23		31-51-11	SM00049		W	N2		
879Z			D00811	DED		31-51-11	SM00049	REF		N2		
880	24	PV	D00813	14		31-51-12	SM00054		W	N2		
880Z			D00813	DED		31-51-12	SM00054	REF		N2		
881	24	PV	D00813	48		31-51-12	SM00055		W	N2		
881Z			D00813	DED		31-51-12	SM00055	REF		N2		
882	24	PV	D00813	23		31-51-12	SM00056		W	N2		
882Z			D00813	DED		31-51-12	SM00056	REF		N2		
883	22	PA	D02261	15		38-32-11	D04349J	26		N2		
884	22	PA	D02261	47		38-32-11	D04347J	27		N2		
885	24	PK	D04303J	9		31-51-21	SM00057		W	N2		
886	24	PK	D04507J	3		31-51-21	SM00058		W	N2		
887	24	PK	D04507J	1		31-51-21	SM00058		W	N2		
888	24	PK	SM00057		W	315121	D04349J	44		N2		

286T0045-302
Wire Bundle Assembly
Figure 105 (Sheet 21)

25-71-02



BOEING
COMPONENT
MAINTENANCE MANUAL

WIRE		FROM EQUIPMENT			TO EQUIPMENT			WIRE INFO					
NUMBER	GA	TYP	NUMBER	TERM	TT	WD REF	NUMBER	TERM	TT	EMC / SEP	FT	NOTE	EFFECTIVITY
FRA			M01103			31-51-12	M01103	GND	D	N2			
FRB			D00813	REF		31-51-12	D00813	59		N2			
FRC			M01102			31-51-11	M01102	GND	D	N2			
FRD			D00811	REF		31-51-11	D00811	59		N2			
FRG			D04349J	58		31-41-35	D04349J	REF		N2			
FRH			D04349J	61		28-41-11	D04349J	REF		N2			
PA1			D00815	47		99-99-99	D00815	63		N2		DAW-B2	
PA2			D00817	8		99-99-99	D00817	57		N2		DAW-B2	
PA3			D00819	41		99-99-99	D00819	55		N2		DAW-B2	
PA4			D00821	43		99-99-99	D00821	60		N2		DAW-B2	
PA5			D00823	52		99-99-99	D00823	65		N2		DAW-B2	
PA6			D01433	44		99-99-99	D01433	61		N2		DAW-B2	
PA7			D01381	52		99-99-99	D01381	65		N2		DAW-B2	
PA8			D01487	8		99-99-99	D01487	57		N2		DAW-B2	
PA9			D01489	56		99-99-99	D01489	65		N2		DAW-B2	
PB1			D01739	7		99-99-99	D01739	62		N2		DAW-B2	
PB2			D01741	7		99-99-99	D01741	62		N2		DAW-B2	
PB4			D02261	54		99-99-99	D02261	61		N2		DAW-B2	
P01		SE	D11553							N2			
P01		SE	D11553							N2			
1	22	PA	D00811	60		31-51-11	GDX0001	S..	2	N2	3	UAB-F2	VS496-VS497
2	22	PA	D00821	14		31-51-11	GDX0002	D..	2	N2	2		VS498-VS505
3	24	PV	SM00068		W	31-51-11	D00821	27		N2	1		
003Z			SM00068	REF		31-51-11	D00821	REF		N2			
4	24	PV	SM00069		W	31-51-11	D00821	32		N2	1		
004Z			SM00069	REF		31-51-11	D00821	REF		N2			
5	24	PV	D00811	35		31-51-11	D00821	17		N2	3		
005Z			D00811	DED		31-51-11	D00821	REF		N2			
6	24	PK	SM00022		W	31-51-11	D00821	51		N2	1		
7	24	PK	D00811	65		31-51-11	SM00022		W	N2	2		
8	24	PK	D00819	37		31-51-11	SM00022		W	N2	1		
9	24	PV	D00819	27		31-51-11	D00811	13		N2	3		

286T0045-303
Wire Bundle Assembly
Figure 106 (Sheet 1)

25-71-02

WIRE			FROM EQUIPMENT				TO EQUIPMENT				WIRE INFO		
NUMBER	GA	TYP	NUMBER	TERM	TT	WD REF	NUMBER	TERM	TT	EMC/SEP	FT	NOTE	EFFECTIVITY
009Z			D00811	DED		31-51-11	D00819	REF		N2			VS498-VS505
01A	24	PK	D04349J	43		31-51-33	D01489	49		N2	2		
10	22	PA	D00819	14		31-51-11	GDX0001	D..	2	N2	2		
11	24	PK	D01433	51		31-51-11	SM00022		W	N2	1		
12	24	PV	SM00018		W	31-51-11	D01433	27		N2	1		
012Z			SM00018	REF		31-51-11	D01433	REF		N2			
13	24	PV	SM00047		W	31-51-11	D01433	32		N2	1		
013Z			SM00047	REF		31-51-11	D01433	REF		N2			
14	24	PV	SM00049		W	31-51-11	D01433	17		N2	1		
014Z			SM00049	REF		31-51-11	D01433	REF		N2			
15	22	PA	D01433	14		31-51-11	GDX0001	D..	2	N2	2		
16	20	PA	SM00028		W	31-51-11	GDX0005	D..	2	N2	2		
17	20	UA	GDX0002	S..	2	31-51-11	D00821	REF		N2	2		
18	20	UA	GDX0005	S..	2	31-51-11	D00819	REF		N2	2		
19	20	UA	D01433	REF		31-51-11	GDX0002	S..	2	N2	2		
20	20	PA	GDX0005	D..	2	31-51-11	SM00029		W	N2	2		
21	20	UA	GDX0002	S..	2	31-51-11	D01503	REF		N2	2		
23	20	UA	D00815	REF		31-51-11	GDX0002	S..	2	N2	2		
24	24	PK	D04349J	38		31-51-11	SM00005		W	N2	1		
25	24	PK	D01503	A2		31-51-11	SM00005		W	N2	1		
26	20	PA	D01503	A3		31-51-11	GDX0003	D..	2	N2	2		
27	22	PQ	D01503	X2		31-51-11	D00811	75		N2	4		
027Z			D00811	DED		31-51-11	D01503	REF		N2			
28	24	PV	D01503	X1		31-51-11	SM00015		W	N2	1		
028Z			SM00015	REF		31-51-11	D01503	REF		N2			
29	24	PV	D00811	46		31-51-11	SM00015		W	N2	2		
029Z			SM00015	REF		31-51-11	D00811	DED		N2			
30	24	PK	SM00015		W	31-51-11	D11553	35		N2	1		
32	20	PA	D11553	11		31-51-11	GDX0003	D..	2	N2	2		
33	24	PK	D11553	37		31-51-11	D00811	34		N2	4		
34	24	PK	D11553	36		31-51-11	D00811	33		N2	4		
35	22	PA	D00815	14		31-51-11	GDX0001	D..	2	N2	2		

286T0045-303
Wire Bundle Assembly
Figure 106 (Sheet 2)

25-71-02



BOEING
COMPONENT
MAINTENANCE MANUAL

WIRE		FROM EQUIPMENT			TO EQUIPMENT			WIRE INFO					
NUMBER	GA	TYP	NUMBER	TERM	TT	WD REF	NUMBER	TERM	TT	EMC/SEP	FT	NOTE	EFFECTIVITY
36	24	PV	D00815	27		31-51-11	D00811	12		N2	3		
036Z			D00811	DED		31-51-11	D00815	REF		N2			
37	24	PV	D00815	32		31-51-11	D00811	17		N2	3		
037Z			D00811	DED		31-51-11	D00815	REF		N2			
38	24	PV	D00815	17		31-51-11	D00811	22		N2	3		
038Z			D00811	DED		31-51-11	D00815	REF		N2			
39	24	PK	D00815	54		31-51-11	SM00020		W	N2	1		
40	24	PK	D00811	63		31-51-11	SM00020		W	N2	2		
41	24	PK	D00823	35		31-51-11	SM00020		W	N2	1		
42	24	PK	D01381	35		31-51-11	SM00020		W	N2	1		
45	22	PA	D01381	14		31-51-11	GDX0001	D..	2	N2	2		
46	22	PA	D01381	48		31-51-11	GDX0003	D..	2	N2	2		
47	24	PV	D01381	27		31-51-11	D00811	11		N2	3		
047Z			D00811	DED		31-51-11	D01381	REF		N2			
48	24	PV	D01381	32		31-51-11	D00811	16		N2	3		
048Z			D00811	DED		31-51-11	D01381	REF		N2			
49	24	PV	D01381	17		31-51-11	D01381	REF		N2	3		
049Z			D00811	DED		31-51-11	D00811	21		N2			
52	22	PA	D00823	14		31-51-11	GDX0001	D..	2	N2	2		
53	22	PA	D00823	48		31-51-11	GDX0003	D..	2	N2	2		
54	24	PV	D00823	27		31-51-11	D00811	10		N2	3		
054Z			D00811	DED		31-51-11	D00823	REF		N2			
55	24	PV	D00823	32		31-51-11	D00811	15		N2	3		
055Z			D00811	DED		31-51-11	D00823	REF		N2			
56	24	PV	D00823	17		31-51-11	D00811	20		N2	3		
056Z			D00811	DED		31-51-11	D00823	REF		N2			
57	22	PA	D00817	14		31-51-11	GDX0002	D..	2	N2	2		
58	24	PV	D00817	27		31-51-11	D00811	51		N2	3		
058Z			D00811	DED		31-51-11	D00817	REF		N2			
59	24	PV	D00817	32		31-51-11	D00811	74		N2	3		
059Z			D00811	DED		31-51-11	D00817	REF		N2			
60	24	PK	D00817	45		31-51-11	SM00021		W	N2	1		

286T0045-303
Wire Bundle Assembly
Figure 106 (Sheet 3)

25-71-02

WIRE		FROM EQUIPMENT			TO EQUIPMENT			WIRE INFO					
NUMBER	GA	TYP	NUMBER	TERM	TT	WD REF	NUMBER	TERM	TT	EMC / SEP	Ft	NOTE	EFFECTIVITY
61	24	PK	D00811	64		31-51-11	SM00021		W	N2	2		
62	24	PK	D01489	16		31-51-11	SM00021		W	N2	1		
63	24	PK	D01487	45		31-51-11	SM00021		W	N2	1		
64	24	PV	D01487	27		31-51-11	D00811	47		N2	3		
064Z			D00811	DED		31-51-11	D01487	REF		N2			
65	24	PV	D01487	32		31-51-11	D00811	70		N2	3		
065Z			D00811	DED		31-51-11	D01487	REF		N2			
66	22	PA	D01487	14		31-51-11	GDX0003	D..	2	N2	2		
67	24	PV	D01489	27		31-51-11	D00811	45		N2	3		
067Z			D00811	DED		31-51-11	D01489	REF		N2			
68	24	PV	D01489	32		31-51-11	D00811	50		N2	3		
068Z			D00811	DED		31-51-11	D01489	REF		N2			
69	24	PV	D01489	17		31-51-11	D00811	36		N2	3		
069Z			D00811	DED		31-51-11	D01489	REF		N2			
70	22	PA	D01489	14		31-51-11	GDX0003	D..	2	N2	2		
71	20	UA	D01381	REF		31-51-11	GDX0002	S..	2	N2	2		
72	20	UA	D00823	REF		31-51-11	GDX0002	S..	2	N2	2		
73	20	UA	D00817	REF		31-51-11	GDX0002	S..	2	N2	2		
74	20	PA	SM00026		W	31-51-11	GDX0005	D..	2	N2	2		
75	20	UA	D01487	REF		31-51-11	GDX0005	S..	2	N2	2		
76	20	UA	GDX0005	S..	2	31-51-11	D01489	REF		N2	2		
77	24	PK	D02261	40		31-41-35	D04349J	1		N2	2		
78	20	PA	SM00027		W	31-51-11	GDX0005	D..	2	N2	2		
79	22	PA	D00813	60		31-51-12	GDX0003	S..	2	N2	3	UAE-F2	
80	22	PA	D00821	15		31-51-12	GDX0002	D..	2	N2	2		
81	24	PV	D00821	30		31-51-12	SM00073		W	N2	1		
081Z			D00821	REF		31-51-12	SM00073	REF		N2			
82	24	PV	D00821	33		31-51-12	SM00074		W	N2	1		
082Z			SM00074	DED		31-51-12	D00821	REF		N2			
83	24	PV	D00821	24		31-51-12	D00813	35		N2	3		
083Z			D00813	DED		31-51-12	D00821	REF		N2			
84	24	PK	D00821	19		31-51-12	SM00025		W	N2	1		

286T0045-303
Wire Bundle Assembly
Figure 106 (Sheet 4)

25-71-02



BOEING
COMPONENT
MAINTENANCE MANUAL

WIRE			FROM EQUIPMENT			TO EQUIPMENT			WIRE INFO				
NUMBER	GA	TYP	NUMBER	TERM	TT	WD REF	NUMBER	TERM	TT	EMC/ SEP	FT	NOTE	EFFECTIVITY
85	24	PK	D00813	65		31-51-12	SM00025		W	N2	2		
86	24	PK	D00819	3		31-51-12	SM00025		W	N2	1		
87	24	PK	D01433	18		31-51-12	SM00025		W	N2	1		
88	22	PA	D01433	15		31-51-12	GDX0002	D..	2	N2	2		
89	24	PV	D01433	30		31-51-12	SM00054		W	N2	1		
089Z			SM00054	REF		31-51-12	D01433	REF	W	N2	1		
90	24	PV	D01433	33		31-51-12	SM00055		W	N2	1		
090Z			SM00055	REF		31-51-12	D01433	REF	W	N2	1		
91	24	PV	D01433	24		31-51-12	SM00056		W	N2	1		
091Z			SM00056	REF		31-51-12	D01433	REF	W	N2	1		
92	22	PA	D00819	15		31-51-12	GDX0002	D..	2	N2	2		
93	24	PV	D00819	30		31-51-12	D00813	13		N2	3		
093Z			D00813	DED		31-51-12	D00819	REF		N2			
94	20	PA	SM00032			31-51-12	GDX0005	D..	2	N2			
95	24	PV	D01505	X2	W	31-51-12	D00813	75		N2	3		
095Z			D00813	DED		31-51-12	D01505	REF		N2			
96	24	PV	D01505	X1		31-51-12	SM00016		W	N2	1		
096Z			SM00016	REF		31-51-12	D01505	REF	W	N2			
97	24	PV	D00813	46		31-51-12	SM00016		W	N2	2		
097Z			SM00016	REF		31-51-12	D00813	DED		N2			
98	20	PA	SM00033			31-51-12	GDX0005	D..	2	N2			
99	24	PK	SM00016			31-51-12	D11553	25		N2	1		
10A	24	PK	D01489	21		31-51-33	D04349J	23		N2	2		
100	20	PA	D11553	1		31-51-12	GDX0003	D..	2	N2	2		
101	20	UA	D00821	REF		31-51-12	GDX0004	S..	2	N2	2		
102	20	UA	D00819	REF		31-51-12	GDX0004	S..	2	N2	2		
103	20	UA	D01433	REF		31-51-12	GDX0004	S..	2	N2	2		
104	20	UA	D01505	REF		31-51-12	GDX0005	S..	2	N2	2		
106	20	UA	D00815	REF		31-51-12	GDX0004	S..	2	N2	2		
107	20	UA	D01381	REF		31-51-12	GDX0004	S..	2	N2	2		
109	20	UA	D00817	REF		31-51-12	GDX0004	S..	2	N2	2		
110	20	UA	D01487	REF		31-51-12	GDX0001	S..	2	N2	2		

286T0045-303
Wire Bundle Assembly
Figure 106 (Sheet 5)

25-71-02

WIRE			FROM EQUIPMENT				TO EQUIPMENT				WIRE INFO		
NUMBER	GA	TYP	NUMBER	TERM	TT	WD REF	NUMBER	TERM	TT	EMC/SEP	FT	NOTE	EFFECTIVITY
111	20	UA	D01489	REF		31-51-12	GDX0001	S..	2	N2	2		
112	22	PA	D00815	15		31-51-12	GDX0001	D..	2	N2	2		
113	24	PK	D01505	A2		31-51-12	SM00005		W	N2	1		
114	20	PA	D01505	A3		31-51-12	GDX0003	D..	2	N2	2		
115	24	PK	D02261	21		21-61-51	D04347J	25		N2	2		
116	24	PK	D00815	21		31-51-12	SM00023		W	N2	1		
117	24	PK	D00813	63		31-51-12	SM00023		W	N2	2		
118	24	PK	D00823	1		31-51-12	SM00023		W	N2	1		
119	24	PK	D01381	1		31-51-12	SM00023		W	N2	1		
120	22	PA	D01381	15		31-51-12	GDX0001	D..	2	N2	2		
121	24	PK	D00817	56		31-51-12	SM00024		W	N2	1		
122	24	PK	D00813	64		31-51-12	SM00024		W	N2	2		
123	24	PK	D01487	56		31-51-12	SM00024		W	N2	1		
124	22	PA	D00823	15		31-51-12	GDX0001	D..	2	N2	2		
125	20	UA	D00823	REF		31-51-12	GDX0004	S..	2	N2	2		
126	24	PV	D00823	33		31-51-12	D00813	15		N2	3		
126Z			D00823	REF		31-51-12	D00813	DED		N2	2		
127	24	PV	D00823	24		31-51-12	D00813	20		N2	3		
127Z			D00823	REF		31-51-12	D00813	DED		N2	2		
128	22	PA	D00817	15		31-51-12	GDX0002	D..	2	N2	2		
129	24	PV	D00817	30		31-51-12	D00813	51		N2	3		
129Z			D00817	REF		31-51-12	D00813	DED		N2	2		
130	24	PV	D00817	33		31-51-12	D00813	74		N2	3		
130Z			D00817	REF		31-51-12	D00813	DED		N2	2		
131	24	PV	D00813	11		31-51-12	D01381	30		N2	3		
131Z			D01381	REF		31-51-12	D00813	DED		N2	2		
132	24	PV	D00813	16		31-51-12	D01381	33		N2	3		
132Z			D01381	REF		31-51-12	D00813	DED		N2	2		
133	24	PV	D01381	24		31-51-12	D00813	21		N2	3		
133Z			D01381	REF		31-51-12	D00813	DED		N2	2		
134	24	PK	D01489	50		31-51-12	D00813	DED		N2	1		
135	24	PV	D01487	30		31-51-12	D00813	47		N2	3		

286T0045-303
Wire Bundle Assembly
Figure 106 (Sheet 6)

25-71-02



BOEING
COMPONENT
MAINTENANCE MANUAL

WIRE		FROM EQUIPMENT			TO EQUIPMENT			WIRE INFO				
NUMBER	GA	TYP	NUMBER	TERM	TT	WD REF	NUMBER	TERM	TT	EMC/SEP	FT NOTE	EFFECTIVITY
135Z			D01487	REF		31-51-12	D00813	DED		N2		
136	24	FV	D01487	33		31-51-12	D00813	70		N2	3	
136Z			D01487	REF		31-51-12	D00813	DED		N2		
137	22	PA	D01487	15		31-51-12	GDX0003	D..	2	N2	2	
138	24	PV	D01489	30		31-51-12	D00813	45		N2	3	
138Z			D01489	REF		31-51-12	D00813	DED		N2		
139	24	FV	D01489	33		31-51-12	D00813	50		N2	3	
139Z			D01489	REF		31-51-12	D00813	DED		N2		
140	24	FV	D01489	24		31-51-12	D00813	36		N2	3	
140Z			D01489	REF		31-51-12	D00813	DED		N2		
141	22	PA	D01489	15		31-51-12	GDX0003	D..	2	N2	2	
142	24	PK	D00813	33		31-51-12	D11553	26		N2	3	
143	24	PK	D11553	27		31-51-12	D00813	34		N2	3	
144	24	PV	D00813	12		31-51-12	D00815	30		N2	3	
144Z			D00813	DED		31-51-12	D00815	REF		N2		
145	20	PA	SM00030		W	31-51-12	GDX0005	D..	2	N2		
146	24	FV	D00813	17		31-51-12	D00815	33		N2	3	
146Z			D00813	DED		31-51-12	D00815	REF		N2		
147	24	FV	D00813	22		31-51-12	D00815	24		N2	3	
147Z			D00813	DED		31-51-12	D00815	REF		N2		
148	24	FV	D00813	10		31-51-12	D00823	30		N2	3	
148Z			D00813	DED		31-51-12	D00823	REF		N2		
149	20	PA	SM00031		W	31-51-12	GDX0005	D..	2	N2		
150	22	PA	D04301J	6		27-32-11	D00823	34		N2	2	
151	24	PK	D04509J	1		27-32-11	D00823	39		N2	2	
152	24	PK	D04347J	26		27-32-11	D00823	40		N2	2	
153	24	PK	D00823	31		27-32-11	D04509J	6		N2	2	
154	20	PA	D04509J	7		27-32-11	GDX0001	D..	2	N2	2	
155	24	PK	SM00037		W	27-32-11	D04511J	3		N2	1	
156	24	PK	D00823	38		27-32-11	D04511J	2		N2	2	
157	24	PK	D04511J	4		27-32-11	SM00050		W	N2	1	
158	24	PK	SM00037		W	27-32-11	D00823	4		N2	1	

286T0045-303
Wire Bundle Assembly
Figure 106 (Sheet 7)

25-71-02

WIRE		FROM EQUIPMENT		TO EQUIPMENT		WIRE INFO							
NUMBER	GA	TYP	NUMBER	TERM	TT	WD REF	NUMBER	TERM	TT	EMC/SEP	FT	NOTE	EFFECTIVITY
159	24	PK	D04349J	14		27-32-11	D00823	36		N2	1		
160	24	PK	D04349J	15		27-32-11	D00823	3		N2	1		
161	24	PK	D04349J	16		27-32-11	D00823	43		N2	1		
162	24	PK	D04349J	10		27-32-11	D00823	2		N2	1		
165	22	PA	D04349J	11		27-32-21	D01381	34		N2	2		
166	24	PK	D01381	40		27-32-21	D04349J	6		N2	2		
167	24	PK	D01381	31		27-32-21	D04511J	7		N2	2		
168	20	PA	GDX0002	D..	2	27-32-21	D04511J	8		N2	2		
169	24	PK	D04349J	34		27-32-21	D01381	36		N2	2		
170	24	PK	D04349J	35		27-32-21	D01381	3		N2	2		
171	24	PK	D04349J	36		27-32-21	D01381	43		N2	2		
172	24	PK	D04349J	37		27-32-21	D01381	2		N2	2		
173	24	PK	D04511J	13		27-32-21	D01381	4		N2	2		
174	24	PK	D04511J	16		27-32-21	D01381	37		N2	2		
175	24	PK	D04511J	15		27-32-21	D01381	38		N2	2		
176	24	PK	D04509J	8		27-32-21	D01381	39		N2	2		
177	24	PK	D00815	34		31-51-21	SM00057		W	N2	1		
178	24	PK	D00815	43		31-51-21	D01433	19		N2	2		
179	24	PK	D00815	10		31-51-21	D00819	5		N2	2		
180	24	PK	D04507J	5		31-51-21	SM00034	66	W	N2	1		
181	24	PK	SM00058		W	31-51-21	D00815		W	N2	1		
182	24	PK	D00815	4		31-51-21	SM00034	39		N2	2		
183	24	PK	D00815	11		31-51-21	D04349J		W	N2	2		
184	22	PA	D00815	37		31-51-21	SM00035		W	N2	1		
185	22	PA	D00815	42		31-51-21	SM00036		W	N2	1		
186	24	PK	D04349J	5		31-51-21	SM00012		W	N2	1		
187	24	PK	D00815	2		31-51-21	SM00012		W	N2	1		
188	24	PK	SM00011		W	31-51-21	SM00012	4		N2	1		
189	24	PK	SM00011		W	31-51-21	D04349J	35		N2	1		
190	24	PK	D04349J	12		31-51-21	D00815		W	N2	1		
191	24	PK	D00815	44		31-51-21	SM00009		W	N2	1		
192	24	PK	D04347J	10		31-51-21	SM00009		W	N2	1		
							SM00008		W	N2	1		

286T0045-303
Wire Bundle Assembly
Figure 106 (Sheet 8)

25-71-02



BOEING
COMPONENT
MAINTENANCE MANUAL

WIRE		FROM EQUIPMENT		TO EQUIPMENT		WIRE INFO							
NUMBER	GA	TYP	NUMBER	TERM	TT	WD REF	NUMBER	TERM	TT	EMC / SEP	FT	NOTE	EFFECTIVITY
193	24	PK	D00815	1		31-51-21	SM00008		W	N2	1		
194	24	PK	D04347J	11		31-51-21	SM00010		W	N2	1		
195	24	PK	D00815	36		31-51-21	SM00010		W	N2	1		
196	24	PK	SM00039		W	31-51-21	D04347J	21		N2	1		
197	24	PK	D00815	45		31-51-21	SM00039		W	N2	1		
198	24	PK	D00815	46		31-51-21	D04347J	6		N2	2		
199	20	PA	GDX0004	S..	2	31-51-31	D04597J	14		N2	2		
201B	24	PW	D01489	43		31-51-33	SM00004		W	N2	1		
201R	24	PW	D01489	9		31-51-33	SM00003	REF	W	N2			
201Z			D01489	DED		31-51-33	SM00003	REF		N2			
204	20	DA	D04507J	REF		27-32-11	GDX0004	S..	2	N2	2		
204B	24	PW	D00823	18		27-32-11	D04507J	12		N2	1		
204R	24	PW	D00823	16		27-32-11	D04507J	11		N2			
204Z			D04507J	REF		27-32-11	D00823	DED		N2			
205B	24	PW	D00815	19		31-51-21	SM00007		W	N2	1		
205R	24	PW	D00815	52		31-51-21	SM00006		W	N2			
205Z			D00815	DED		31-51-21	SM00006	REF		N2			
207	20	DA	D04597J	REF		31-51-21	GDX0004	S..	2	N2	2		
207B	24	PW	SM00007		W	31-51-21	D04597J	4		N2	1		
207R	24	PW	SM00006		W	31-51-21	D04597J	3		N2			
207Z			SM00006	REF		31-51-21	D04597J	REF		N2			
208	20	DA	D04301J	REF		34-16-11	GDX0002	S..	2	N2	2		
208B	24	PW	D00821	36		34-16-11	D04301J	9		N2	2		
208R	24	PW	D00821	2		34-16-11	D04301J	8		N2			
208Z			D00821	DED		34-16-11	D04301J	REF		N2			
209B	24	PW	D01489	46		31-51-33	SM00007		W	N2	1		
209R	24	PW	D01489	12		31-51-33	SM00006		W	N2			
209Z			D01489	DED		31-51-33	SM00006	REF		N2			
212B	24	PW	D01433	36		31-51-42	SM00007		W	N2	1		
212R	24	PW	D01433	2		31-51-42	SM00006		W	N2			
212Z			D01433	DED		31-51-42	SM00006	REF		N2			
213	20	DA	D04507J	REF		34-16-11	GDX0004	S..	2	N2	2		

286T0045-303
Wire Bundle Assembly
Figure 106 (Sheet 9)

25-71-02

TESTING & TROUBLE SHOOTING
01 Page 140M
Nov 01/02

WIRE		FROM EQUIPMENT				TO EQUIPMENT				WIRE INFO		
NUMBER	GA	TYP	NUMBER	TERM	TT	WD REF	NUMBER	TERM	TT	EMC/SEP	FT NOTE	EFFECTIVITY
213B	24	PW	D00821	35		34-16-11	D04507J	8		N2		
213R	24	PW	D00821	1		34-16-11	D04507J	9		N2		
213Z	24	PW	D00821	DED		34-16-11	D04507J	REF		N2		
214	20	UA	D04349J	REF		34-16-11	GDX0004	S..	2	N2		
214B	24	PW	D00821	37		34-16-11	D04349J	19		N2		
214R	24	PW	D00821	3		34-16-11	D04349J	18		N2		
214Z	24	PW	D00821	DED		34-16-11	D04349J	REF		N2		
215B	24	PL	D01487	24		31-51-31	D04597J	12		N2		
215R	24	PL	D01487	23		31-51-31	D04597J	13		N2		
216B	24	PL	D00817	24		31-51-32	D04303J	12		N2		
216R	24	PL	D00817	23		31-51-32	D04303J	11		N2		
221B	24	PW	D01489	45		31-51-33	SM00004		W	N2	1	
221R	24	PW	D01489	11		31-51-33	SM00003		W	N2		
221Z	24	PW	D01489	DED		31-51-33	SM00003	REF		N2		
223B	24	PW	D00821	38		34-16-11	SM00004		W	N2	1	
223R	24	PW	D00821	4		34-16-11	SM00003		W	N2		
223Z	24	PW	D00821	DED		34-16-11	SM00003	REF		N2		
224	20	UA	D04349J	REF		27-32-21	GDX0004	S..	2	N2		
224B	24	PW	D04349J	28		27-32-21	D01381	18		N2		
224R	24	PW	D04349J	27		27-32-21	D01381	16		N2		
224Z	24	PW	D04349J	REF		27-32-21	D01381	DED		N2		
225B	22	PR	D00811	69		31-51-11	SM00060		W	N2	2	
225R	22	PR	D00811	68		31-51-11	SM00060		W	N2		
225Z	22	PR	D00811	DED		31-51-11	SM00028	REF		N2		
226B	22	PR	D00813	69		31-51-12	SM00061		W	N2	2	
226R	22	PR	D00813	68		31-51-12	SM00061		W	N2		
226Z	22	PR	D00813	DED		31-51-12	SM00030	REF		N2		
230	20	UA	D04347J	REF		31-51-33	GDX0003	S..	2	N2		
230B	24	PW	D04347J	18		31-51-33	SM00004		W	N2	1	
230R	24	PW	D04347J	17		31-51-33	SM00003		W	N2		
230Z	24	PW	D04347J	REF		31-51-33	SM00003	REF		N2		
236	20	UA	D04347J	REF		27-32-11	GDX0001	S..	2	N2		

 286T0045-303
 Wire Bundle Assembly
 Figure 106 (Sheet 10)

25-71-02



BOEING
COMPONENT
MAINTENANCE MANUAL

WIRE		FROM EQUIPMENT		TO EQUIPMENT		WIRE INFO							
NUMBER	GA	TYP	NUMBER	TERM	TT	WD REF	NUMBER	TERM	TT	EMC/ SEP	FT	NOTE	EFFECTIVITY
236B	24	PW	D04347J	37		27-32-11	D00823	54		N2	2		
236R	24	PW	D04347J	36		27-32-11	D00823	23		N2			
236Z			D04347J	REF		27-32-11	D00823	DED		N2			
237B	24	PW	D04347J	40		27-32-11	D00823	13		N2	2		
237R	24	PW	D04347J	39		27-32-11	D00823	12		N2			
237Z			D04347J	REF		27-32-11	D00823	DED		N2			
238	20	UA	D04349J	REF		27-32-21	GDX0001	S..	2	N2			
238B	24	PW	D04349J	49		27-32-21	D01381	54		N2	2		
238R	24	PW	D04349J	48		27-32-21	D01381	23		N2			
238Z			D04349J	REF		27-32-21	D01381	DED		N2			
239B	24	PW	D01381	20		27-32-21	D04349J	55		N2	2		
239R	24	PW	D01381	19		27-32-21	D04349J	54		N2			
239Z			D01381	DED		27-32-21	D04349J	REF		N2			
240B	24	PL	D04347J	23		31-51-31	SM00080		W	N2	1		
240R	24	PL	D04347J	22		31-51-31	SM00042		W	N2	1		
241B	24	PL	D01487	60		31-51-31	SM00080		W	N2			
241R	24	PL	D01487	28		31-51-31	SM00042		W	N2	1		
242B	24	PL	D00817	60		31-51-32	SM00080		W	N2			
242R	24	PL	D00817	28		31-51-32	SM00042		W	N2	1		
243B	24	PW	D04349J	52		27-32-21	D01381	13		N2	2		
243R	24	PW	D04349J	51		27-32-21	D01381	12		N2			
243Z			D04349J	REF		27-32-21	D01381	DED		N2			
245B	24	PW	D00823	20		27-32-11	D04347J	48		N2	2		
245R	24	PW	D00823	19		27-32-11	D04347J	47		N2			
245Z			D00823	DED		27-32-11	D04347J	REF		N2			
247	20	UA	D04349J	REF		31-41-35	GDX0006	S..	2	N2	2		
247B	24	PW	D02261	42		31-41-35	D04349J	57		N2	2		
247R	24	PW	D02261	43		31-41-35	D04349J	56		N2			
247Z			D02261	DED		31-41-35	D04349J	REF		N2			
248	20	UA	D04349J	REF		28-41-11	GDX0006	S..	2	N2	2		
248B	24	PW	D02261	5		28-41-11	D04349J	60		N2	2		
248R	24	PW	D02261	8		28-41-11	D04349J	59		N2			

286T0045-303
Wire Bundle Assembly
Figure 106 (Sheet 11)

25-71-02

WIRE			FROM EQUIPMENT				TO EQUIPMENT				WIRE INFO		
NUMBER	GA	TYP	NUMBER	TERM	TT	WD REF	NUMBER	TERM	TT	EMC/SEP	FT	NOTE	EFFECTIVITY
248Z			D02261	DED		28-41-11	D04349J	REF		N2			
271B	24	PL	D04597J	5		31-51-31	SM00088		W	N2	1		
271R	24	PL	D04597J	2		31-51-31	SM00087		W	N2	1		
272B	24	PL	D01487	63		31-51-31	SM00088		W	N2	1		
272R	24	PL	D01487	62		31-51-31	SM00087		W	N2	1		
273B	24	PL	D00817	63		31-51-32	SM00088		W	N2	1		
273R	24	PL	D00817	62		31-51-32	SM00087		W	N2	1		
290B	24	PW	D04597J	8		34-43-15	SM00104		W	N2	1		
290R	24	PW	D04597J	7		34-43-15	SM00103		W	N2	1		
290Z			D04597J	9		34-43-15	SM00103	REF	W	N2	1		
291B	24	PW	D04303J	4		34-43-15	SM00104		W	N2	1		
291R	24	PW	D04303J	3		34-43-15	SM00103		W	N2	1		
291Z			D04303J	5		34-43-15	SM00103	REF	W	N2	1		
292B	24	PW	D04347J	53		34-43-15	SM00104		W	N2	1		
292R	24	PW	D04347J	51		34-43-15	SM00103		W	N2	1		
292Z			D04347J	61		34-43-15	SM00103	REF	W	N2	1		
301	20	UA	SM00028	REF		31-51-11	GDX0005	S..	2	N2	2		
301B	22	PS	D00811	57		31-51-11	SM00028		W	N2	2		
301R	22	PS	D00811	38		31-51-11	SM00028		W	N2	2		
301Y	22	PS	D00811	58		31-51-11	SM00028		W	N2	2		
301Z			D00811	DED		31-51-11	SM00028	REF	W	N2	2		
302B	22	PS	D00811	42		31-51-11	SM00029		W	N2	2		
302R	22	PS	D00811	41		31-51-11	SM00029		W	N2	2		
302Y	22	PS	D00811	43		31-51-11	SM00029		W	N2	2		
302Z			D00811	DED		31-51-11	SM00028	REF	W	N2	2		
303B	22	PS	D00811	8		31-51-11	SM00026		W	N2	2		
303R	22	PS	D00811	7		31-51-11	SM00026		W	N2	2		
303Y	22	PS	D00811	9		31-51-11	SM00026		W	N2	2		
303Z			D00811	DED		31-51-11	SM00028	REF	W	N2	2		
304B	22	PS	D00811	25		31-51-11	SM00027		W	N2	2		
304R	22	PS	D00811	24		31-51-11	SM00027		W	N2	2		
304Y	22	PS	D00811	37		31-51-11	SM00027		W	N2	2		

286T0045-303
Wire Bundle Assembly
Figure 106 (Sheet 12)

25-71-02



BOEING
COMPONENT
MAINTENANCE MANUAL

WIRE		FROM EQUIPMENT			TO EQUIPMENT			WIRE INFO					
NUMBER	GA	TYP	NUMBER	TERM	TT	WD REF	NUMBER	TERM	TT	EMC/SEP	FT	NOTE	EFFECTIVITY
304Z			D00811	DED		31-51-11	SM00028	REF		N2			
305	20	UA	SM00030	REF		31-51-12	GDX0005	S..	2	N2	1		
305B	22	PS	D00813	8		31-51-12	SM00030		W	N2	2		
305R	22	PS	D00813	7		31-51-12	SM00030		W	N2			
305Y	22	PS	D00813	9		31-51-12	SM00030		W	N2			
305Z	22	PS	D00813	DED		31-51-12	SM00030	REF		N2			
306B	22	PS	D00813	25		31-51-12	SM00031		W	N2	2		
306R	22	PS	D00813	24		31-51-12	SM00031		W	N2			
306Y	22	PS	D00813	37		31-51-12	SM00031		W	N2			
306Z	22	PS	D00813	DED		31-51-12	SM00030	REF		N2			
307B	22	PS	D00813	57		31-51-12	SM00032		W	N2	2		
307R	22	PS	D00813	38		31-51-12	SM00032		W	N2			
307Y	22	PS	D00813	58		31-51-12	SM00032		W	N2			
307Z	22	PS	D00813	DED		31-51-12	SM00030	REF		N2			
308B	22	PS	D00813	42		31-51-12	SM00033		W	N2	2		
308R	22	PS	D00813	41		31-51-12	SM00033		W	N2			
308Y	22	PS	D00813	43		31-51-12	SM00033		W	N2			
308Z	22	PS	D00813	DED		31-51-12	SM00030	REF		N2			
512	24	PK	D02261	20		27-81-31	D04349J	8		N2	2		
601	20	PA	SM00060		W	31-51-11	GDX0004	D..	2	N2			
602	20	PA	SM00061		W	31-51-12	GDX0005	D..	2	N2			
603	24	PV	D04301J	5		31-51-12	M01103	INE	D	N2	1		
603Z	24	PV	D04301J	DED		31-51-12	M01103			N2			
604	24	PV	D04301J	4		31-51-12	D00813	4		N2	3		
604Z	24	PV	D04301J	DED		31-51-12	D00813	REF		N2			
605	24	PV	D00813	1		31-51-12	M01103	OAD	D	N2	3		
605Z	24	PV	D00813	REF		31-51-12	M01103	DED		N2			
606	24	PV	D04349J	32		31-51-11	M01102	INE	D	N2	1		
606Z	24	PV	D04349J	DED		31-51-11	M01102			N2			
607	24	PV	D04349J	33		31-51-11	D00811	4		N2	3		
607Z	24	PV	D04349J	DED		31-51-11	D00811	REF		N2			
608	24	PV	D00811	1		31-51-11	M01102	OAD	D	N2	3		

286T0045-303
Wire Bundle Assembly
Figure 106 (Sheet 13)

25-71-02

WIRE		FROM EQUIPMENT		TO EQUIPMENT		WIRE INFO							
NUMBER	GA	TYP	NUMBER	TERM	TT	WD REF	NUMBER	TERM	TT	EMC/SEP	FT	NOTE	EFFECTIVITY
608Z			D00811	REF		31-51-11	M01102	DED		N2			
610	24	PK	D00823	37		27-32-11	SM00050		W	N2	1		
611	24	PK	D01433	6		31-51-42	D04347J	20		N2	2		
612	24	PK	D01433	4		31-51-42	SM00050		W	N2	1		
613	24	PK	D04349J	30		31-51-31	SM00065		W	N2	1		
614	24	PK	D01487	52		31-51-31	SM00065		W	N2	1		
615	24	PK	D00817	52		31-51-32	SM00065		W	N2	1		
617	24	PK	D01381	11		27-32-12	D00823	56		N2	1		
618	24	PK	D01381	56		27-32-12	D00823	11	W	N2	1		
619	24	PK	D00823	45		27-32-12	SM00082		W	N2	1		
620	24	PK	D04349J	29		31-51-21	SM00071		W	N2	1		
621	24	PK	D00815	7		31-51-21	SM00071		W	N2	1		
622	24	PK	D01489	2		31-51-33	SM00071		W	N2	1		
623	24	PK	D01489	36		31-51-33	SM00038		W	N2	1		
624	24	PK	D00815	8		31-51-21	SM00045		W	N2	1		
625	24	PK	D01487	9		31-51-31	SM00034		W	N2	1		
631	24	PK	D00817	9		31-51-32	SM00034		W	N2	1		
644Z	22	PQ	D00823	66		27-32-31	D04347J	42		N2	2		
646Z	22	PQ	D00823	DED		27-32-31	D04347J	DED		N2			
646Z	22	PQ	D01381	66		27-32-31	D04349J	42		N2	2		
652Z	24	PV	D01381	DED		27-32-31	D04349J	DED		N2	2		
652Z	24	PV	D00811	26		31-51-11	SM00068		W	N2			
653Z	24	PV	D00811	49		31-51-11	SM00068	REF		N2	2		
653Z	24	PV	D00811	DED		31-51-11	SM00069	REF		N2	2		
654Z	24	PV	D01739	27		31-51-11	SM00068		W	N2	1		
654Z	24	PV	D01739	DED		31-31-51	SM00068	REF		N2	1		
655Z	24	PV	D01739	32		31-51-11	SM00069	REF		N2	1		
655Z	24	PV	D01739	DED		31-51-11	SM00069	REF		N2	1		
656Z	24	PK	D01739	10		31-51-11	SM00022		W	N2	1		
657	22	PA	D01739	14		31-51-11	GDX0006	D..	2	N2	2		
658	24	PV	D01741	27		31-51-11	D00811	62		N2	3		

286T0045-303
Wire Bundle Assembly
Figure 106 (Sheet 14)

25-71-02



BOEING
COMPONENT
MAINTENANCE MANUAL

WIRE		FROM EQUIPMENT		TO EQUIPMENT		WIRE INFO							
NUMBER	GA	TYP	NUMBER	TERM	TT	WD REF	NUMBER	TERM	TT	EMC/SEP	FT	NOTE	EFFECTIVITY
658Z			D01741	REF		31-51-11	D00811	DED		N2			
659	24	PV	D01741	32		31-51-11	D00811	76		N2	3		
659Z			D01741	REF		31-51-11	D00811	DED		N2			
660	20	UA	D01741	REF		31-51-11	GDX0006	S..	2	N2	1		
661	24	PK	D01741	10		31-51-11	D00811	66		N2	3		
662	22	PA	D01741	14		31-51-11	GDX0006	D..	2	N2	1		
663	24	PV	D00813	26		31-51-12	SM00073		W	N2	2		
663Z			D00813	DED		31-51-12	SM00073	REF		N2			
664	24	PV	D00813	49		31-51-12	SM00074		W	N2	2		
664Z			D00813	DED		31-51-12	SM00074	REF		N2			
665	24	PV	D01739	30		31-51-12	SM00073		W	N2	1		
665Z			D01739	DED		31-51-12	SM00073	REF		N2			
666	24	PV	D01739	33		31-51-12	SM00074		W	N2	1		
666Z			D01739	DED		31-51-12	SM00074	REF		N2			
667	24	PK	D01739	9		31-51-12	SM00025		W	N2	1		
668	22	PA	D01739	15		31-51-12	GDX0006	D..	2	N2	2		
669	24	PV	D01741	30		31-51-12	D00813	62		N2	2		
669Z			D01741	REF		31-51-12	D00813	DED		N2			
670	24	PV	D01741	33		31-51-12	D00813	76		N2	2		
670Z			D01741	REF		31-51-12	D00813	DED		N2			
671	20	UA	D01741	REF		31-51-12	GDX0006	S..	2	N2	1		
672	24	PK	D01741	9		31-51-12	D00813	66		N2	2		
673	22	PA	D01741	15		31-51-12	GDX0006	D..	2	N2	1		
674	24	PK	D01739	24		31-51-31	D01487	53		N2	2		
675	24	PK	D01741	24		31-51-32	D00817	53		N2	2		
676	24	PK	D01739	1		31-51-35	SM00036		W	N2	1		
677	24	PK	D01739	3		31-51-35	SM00035		W	N2	1		
679	24	PK	D01741	1		31-51-36	SM00036		W	N2	1		
680	24	PK	D01741	3		31-51-36	SM00035		W	N2	1		
681	24	PK	D01433	10		31-51-43	D04507J	10		N2	2		
682	24	PK	D01433	13		31-51-43	D04347J	46		N2	2		
683	22	PA	D01433	41		31-51-43	SM00081		W	N2	1		

286T0045-303
Wire Bundle Assembly
Figure 106 (Sheet 15)

25-71-02

TESTING & TROUBLE SHOOTING
01 Page 140S
Nov 01/02

WIRE		FROM EQUIPMENT			TO EQUIPMENT			WIRE INFO					
NUMBER	GA	TYP	NUMBER	TERM	TT	WD REF	NUMBER	TERM	TT	EMC / SEP	FT	NOTE	EFFECTIVITY
684	20	PA	GDX0001	D..	2	31-51-43	D04349J	47		N2	2		
685	24	PK	D00823	58		27-32-12	D01505	A1		N2	2		
686	24	PK	D00823	8		27-32-11	SM00038		W	N2	1		
687	24	PK	D00823	64		27-32-11	SM00081		W	N2	1		
688	24	PK	D01381	58		27-32-22	D01503	A1	W	N2	2		
689	24	PK	D01381	45		27-32-22	SM00085		W	N2	1		
692	24	PK	D01381	8		27-32-21	SM00038		W	N2	1		
693	24	PK	D04347J	30		31-51-21	D00815	6	W	N2	2		
694	22	PA	D04349J	46		31-51-43	SM00081		W	N2	1		
696	20	PA	GDX0003	D..	2	27-32-12	SM00082		W	N2	1		
697	20	PA	GDX0003	D..	2	27-32-22	SM00085		W	N2	1		
701	24	PK	D00815	49		31-51-21	D00815	22		N2			
702	24	PK	D00815	16		31-51-21	D00815	48		N2			
703	24	PK	D00819	6		31-51-41	SM00019		W	N2	1		
704	24	PK	SM00075		W	31-51-41	D04511J	14		N2	1		
705	24	PK	D00819	45		31-51-41	D04511J	12		N2	2		
706	24	PK	D00819	10		31-51-41	D04349J	31		N2	2		
707	24	PK	D00819	21		31-51-41	D04509J	4		N2	2		
708	24	PK	D00819	9		31-51-41	D04349J	7		N2	2		
709	24	PK	D00819	39		31-51-41	SM00044		W	N2	1		
710	24	PK	D00819	43		31-51-41	SM00037		W	N2	1		
711	24	PK	D00819	12		31-51-41	D04349J	21		N2	2		
712	24	PK	D00819	53		31-51-41	D04349J	3		N2	2		
713	24	PK	D00819	20		31-51-41	D04347J	9		N2	2		
714	24	PK	D00819	44		31-51-41	D04349J	24		N2	2		
715	24	PK	D04507J	6		31-51-42	SM00019		W	N2	1		
716	24	PK	D01433	34		31-51-42	SM00019		W	N2	1		
717	24	PK	D01433	37		31-51-42	SM00034		W	N2	1		
718	24	PK	D01433	39		31-51-42	D04509J	2		N2	2		
720	24	PK	D01433	52		31-51-42	SM00040		W	N2	1		
721	24	PK	D01433	38		31-51-42	D04347J	24		N2	2		
722	24	PK	D01433	5		31-51-42	D04349J	22		N2	2		

286T0045-303
Wire Bundle Assembly
Figure 106 (Sheet 16)

25-71-02



BOEING
COMPONENT
MAINTENANCE MANUAL

WIRE		FROM EQUIPMENT		TO EQUIPMENT		WIRE INFO							
NUMBER	GA	TYP	NUMBER	TERM	TT	WD REF	NUMBER	TERM	TT	EMC/SEP	FT	NOTE	EFFECTIVITY
723	24	PK	D04511J	11		31-51-42	SM00038		W	N2	1		
724	24	PK	D01433	40		31-51-42	SM00038		W	N2	1		
725	24	PK	D01433	3		31-51-42	D04347J	13		N2	2		
726	22	PA	D04347J	14		31-51-21	SM00036		W	N2	1		
727	22	PA	D04301J	11		31-51-21	SM00035		W	N2	1		
728	24	PK	D04347J	1		31-51-41	D00819	35		N2	2		
729	24	PK	D04347J	2		31-51-41	D00819	1		N2	2		
730	24	PK	D04347J	3		31-51-41	D00819	36		N2	2		
731	24	PK	D04347J	4		31-51-41	D00819	2		N2	2		
732	24	PK	D04347J	5		31-51-42	D01433	20		N2	2		
733	24	PK	D04347J	16		34-16-11	D00821	65		N2	2		
734	24	PK	D04347J	8		31-51-31	SM00046		W	N2	1		
735	24	PK	D04507J	7		34-16-11	D00821	34		N2	2		
736	24	PK	D04507J	2		34-16-11	D00821	66		N2	2		
737	24	PK	SM00041	19	W	34-16-11	D00821	31		N2	1		
738	24	PK	D04347J	18		34-16-11	D00821	7		N2	2		
739	24	PK	SM00075	10	W	34-16-11	D00821	6		N2	1		
740	24	PK	SM00038	50	W	34-16-11	D00821	40		N2	1		
741	24	PK	D00821	18		34-16-11	D00821	22		N2	2		
742	24	PK	D00821	50		34-16-11	D00821	48		N2	2		
746	24	PK	D04597J	10		31-51-31	SM00043		W	N2	1		
747	24	PK	D01487	46		31-51-31	SM00043		W	N2	1		
748	24	PK	D04347J	7		31-51-31	SM00045		W	N2	1		
749	24	PK	D01487	10		31-51-31	SM00045		W	N2	1		
750	24	PK	D01487	19		31-51-31	SM00046		W	N2	1		
751	24	PK	D01487	13		31-51-31	SM00040		W	N2	1		
752	24	PK	D01487	47		31-51-31	SM00044		W	N2	1		
753	24	PK	D01487	51		31-51-31	SM00041		W	N2	1		
757	24	PK	D01487	49		31-51-31	SM00039		W	N2	1		VS496-VS496
757	24	PK	D01487	11		31-51-31	SM00039		W	N2	1		VS497-VS505
758	24	PK	D01487	22		31-51-31	D01489	23		N2	2		
759	24	PK	D01487	55		31-51-31	D01489	47		N2	2		

286T0045-303
Wire Bundle Assembly
Figure 106 (Sheet 17)

25-71-02

TESTING & TROUBLE SHOOTING
01 Page 140U
Nov 01/02

WIRE		FROM EQUIPMENT		TO EQUIPMENT		WIRE INFO	
NUMBER	GA	TYP	NUMBER	TERM	TT	WD REF	EMC/ FT
							SEP
760	24	PK	D01487	34		31-51-31	N2
761	24	PK	D01487	66		31-51-31	N2
762	24	PK	D00817	10		31-51-32	N2
763	24	PK	D00817	46		31-51-32	N2
766	24	PV	D00817	49		31-51-32	N2
766	24	PV	D00817	11		31-51-32	N2
766Z			D00817	DED		31-51-32	N2
767	24	PK	D00817	19		31-51-32	N2
768	24	PK	D00817	13		31-51-32	N2
769	24	PK	D00817	47		31-51-32	N2
770	24	PK	D00817	51		31-51-32	N2
772	24	PK	D00817	22		31-51-32	N2
773	24	PK	D00817	55		31-51-32	N2
774	24	PK	D00817	34		31-51-32	N2
775	24	PK	D00817	66		31-51-32	N2
776	24	PK	D01489	42		31-51-33	N2
777	24	PK	D01489	8		31-51-33	N2
779	24	PK	D01489	35		31-51-33	N2
780	24	PK	D01489	53		31-51-33	N2
781	24	PK	D01489	31		31-51-33	N2
782	24	PK	D01489	18		31-51-33	N2
783	24	PK	D01489	38		31-51-33	N2
784	24	PK	D01489	4		31-51-33	N2
785	24	PK	D01489	37		31-51-33	N2
786	24	PK	D01489	3		31-51-33	N2
787	24	PK	D01489	1		31-51-33	N2
788	24	PK	D01489	6		31-51-33	N2
789	24	PK	D01489	41		31-51-33	N2
791	24	PK	D01489	7		31-51-33	N2
792	24	PK	D01489	40		31-51-33	N2
793	24	PK	D00819	11		31-51-41	N2
794	20	PA	D04303J	10		31-51-32	N2

VS496-VS496
VS497-VS505

286T0045-303
Wire Bundle Assembly
Figure 106 (Sheet 18)

25-71-02



BOEING
COMPONENT
MAINTENANCE MANUAL

WIRE			FROM EQUIPMENT				TO EQUIPMENT				WIRE INFO		
NUMBER	GA	TYP	NUMBER	TERM	TT	WD REF	NUMBER	TERM	TT	EMC/SEP	FT	NOTE	EFFECTIVITY
795	24	PK	D01433	9		31-51-42	D01433	48		N2			
796	24	PK	D01433	22		31-51-42	D01433	50		N2			
797	24	PV	D00815	41		31-51-21	SM00053		W	N2	1		
797Z			D00815	DED		31-51-21	SM00053	DED		N2			
798	24	PV	D04349J	9		31-51-21	SM00053		W	N2	1		
798Z			D04349J	DED		31-51-21	SM00053	DED		N2			
817	24	PK	D00823	55		27-32-12	D11553	6		N2	2		
818	24	PK	D00823	21		27-32-12	D11553	4		N2	2		
819	24	PK	D00823	51		27-32-12	D11553	3		N2	2		
820	24	PK	D00823	50		27-32-12	D11553	2		N2	2		
821	24	PK	D00823	49		27-32-12	D11553	7		N2	2		
822	24	PK	D00823	47		27-32-12	D11553	8		N2	2		
823	24	PK	D00823	46		27-32-12	D11553	9		N2	2		
824	24	PK	D00823	53		27-32-12	D11553	5		N2	2		
825	24	PK	D00823	62		27-32-12	D11553	24		N2	2		
826	24	PK	D01381	55		27-32-22	D11553	16		N2	2		
827	24	PK	D01381	21		27-32-22	D11553	14		N2	2		
828	24	PK	D01381	51		27-32-22	D11553	13		N2	2		
829	24	PK	D01381	50		27-32-22	D11553	12		N2	2		
830	24	PK	D01381	49		27-32-22	D11553	17		N2	2		
831	24	PK	D01381	47		27-32-22	D11553	18		N2	2		
832	24	PK	D01381	46		27-32-22	D11553	19		N2	2		
833	24	PK	D01381	53		27-32-22	D11553	15		N2	2		
834	24	PK	D01381	62		27-32-22	D11553	34		N2	2		
835	24	PK	D04349J	50		27-32-21	D01381	64		N2	2		
836	20	PA	D04349J	53		27-32-21	GDX0002	S..	2	N2	2		
837	24	PK	D00823	42		27-32-12	SM00082		W	N2	1		
838	24	PK	D01381	42		27-32-22	SM00085		W	N2	1		
842	24	PK	D01381	6		27-32-22	SM00085		W	N2	1		
843	24	PK	D00823	6		27-32-12	SM00082		W	N2	1		
862	22	PA	D02261	30		31-41-35	GDX0006	S..	2	N2	1		
863	22	PA	D02261	32		31-41-35	GDX0006	S..	2	N2	1		

286T0045-303
Wire Bundle Assembly
Figure 106 (Sheet 19)

25-71-02

WIRE		FROM EQUIPMENT		TO EQUIPMENT		WIRE INFO							
NUMBER	GA	TYP	NUMBER	TERM	TT	WD REF	NUMBER	TERM	TT	EMC/SEP	FT	NOTE	EFFECTIVITY
864	22	PA	D02261	33		31-41-35	GDX0006	S..	2	N2	1		
865	22	PA	D02261	64		31-41-35	GDX0006	S..	2	N2	1		
866	24	PV	D02261	27		31-51-11	SM00018		W	N2	1		
866Z	24	PV	D02261	DED		31-51-11	SM00018	REF	W	N2	1		
867	24	PV	D02261	28		31-51-11	SM00047		W	N2	1		
867Z	24	PV	D02261	DED		31-51-11	SM00047	REF	W	N2	1		
868	24	PV	D02261	29		31-51-12	SM00054		W	N2	1		
868Z	24	PV	D02261	DED		31-51-12	SM00054	REF	W	N2	1		
869	24	PK	D02261	34		31-51-12	SM00025		W	N2	2		
870	22	PA	D02261	56		31-51-12	GDX0001	S..	2	N2	2		
871	22	PA	D02261	57		31-51-12	GDX0003	S..	2	N2	2		
872	22	PA	D02261	59		31-51-11	GDX0005	S..	2	N2	1		
873	24	PV	D02261	60		31-51-12	SM00055		W	N2	1		
873Z	24	PV	D02261	DED		31-51-12	SM00055	REF	W	N2	1		
874	24	PV	D02261	62		31-51-11	SM00049		W	N2	1		
874Z	24	PV	D02261	DED		31-51-11	SM00049	REF	W	N2	1		
875	24	PV	D02261	63		31-51-12	SM00056		W	N2	1		
875Z	24	PV	D02261	DED		31-51-12	SM00056	REF	W	N2	1		
876	24	PK	D02261	65		31-51-11	SM00022		W	N2	1		
877	24	PV	D00811	14		31-51-11	SM00018		W	N2	2		
877Z	24	PV	D00811	DED		31-51-11	SM00018	REF	W	N2	2		
878	24	PV	D00811	48		31-51-11	SM00047		W	N2	2		
878Z	24	PV	D00811	DED		31-51-11	SM00047	REF	W	N2	2		
879	24	PV	D00811	23		31-51-11	SM00049		W	N2	2		
879Z	24	PV	D00811	DED		31-51-11	SM00049	REF	W	N2	2		
880	24	PV	D00813	14		31-51-12	SM00054		W	N2	2		
880Z	24	PV	D00813	DED		31-51-12	SM00054	REF	W	N2	2		
881	24	PV	D00813	48		31-51-12	SM00055		W	N2	2		
881Z	24	PV	D00813	DED		31-51-12	SM00055	REF	W	N2	2		
882	24	PV	D00813	23		31-51-12	SM00056		W	N2	2		
882Z	24	PV	D00813	DED		31-51-12	SM00056	REF	W	N2	2		
883	22	PA	D02261	15		38-32-11	D04349J	26		N2	2		

286T0045-303
Wire Bundle Assembly
Figure 106 (Sheet 20)

25-71-02



BOEING
COMPONENT
MAINTENANCE MANUAL

WIRE		FROM EQUIPMENT			TO EQUIPMENT			WIRE INFO				
NUMBER	GA	TYP	NUMBER	TERM	TT	WD REF	NUMBER	TERM	TT	EMC/SEP	FT NOTE	EFFECTIVITY
884	22	PA	D02261	47		38-32-11	D04347J	27		N2	2	
885	24	PK	D04303J	9		31-51-21	SM00057		W	N2	1	
886	24	PK	D04507J	3		31-51-21	SM00058		W	N2	1	
887	24	PK	D04507J	1		31-51-21	SM00058		W	N2	1	
888	24	PK	SM00057		W	31-51-21	D04349J	44		N2	1	
877Z			D00811	DED		31-51-11	SM00018	REF	W	N2		
878	24	PV	D00811	48		31-51-11	SM00047		W	N2		
878Z			D00811	DED		31-51-11	SM00047	REF	W	N2		
879	24	PV	D00811	23		31-51-11	SM00049		W	N2		
879Z			D00811	DED		31-51-11	SM00049	REF	W	N2		
880	24	PV	D00813	14		31-51-12	SM00054		W	N2		
880Z			D00813	DED		31-51-12	SM00054	REF	W	N2		
881	24	PV	D00813	48		31-51-12	SM00055		W	N2		
881Z			D00813	DED		31-51-12	SM00055	REF	W	N2		
882	24	PV	D00813	23		31-51-12	SM00056		W	N2		
882Z			D00813	DED		31-51-12	SM00056	REF	W	N2		
883	22	PA	D02261	15		38-32-11	D04349J	26		N2		
884	22	PA	D02261	47		38-32-11	D04347J	27		N2		
885	24	PK	D04303J	9		31-51-21	SM00057		W	N2		
886	24	PK	D04507J	3		31-51-21	SM00058		W	N2		
887	24	PK	D04507J	1		31-51-21	SM00058		W	N2		
888	24	PK	SM00057		W	31-51-21	D04349J	44		N2		

286T0045-303
Wire Bundle Assembly
Figure 106 (Sheet 21)

25-71-02

WIRE			FROM EQUIPMENT				TO EQUIPMENT				WIRE INFO			
NUMBER	GA	TYP	NUMBER	TERM	TT	WD REF	NUMBER	TERM	TT	EMC/ SEP	FT	NOTE	EFFECTIVITY	
FRA			M01103			31-51-12	M01103			N2				
FRB			D00813			31-51-12	D00813			N2				
FRC			M01102			31-51-11	M01102			N2				
FRD			D00811			31-51-11	D00811			N2				
FRG			D04349J	58		31-41-35	D04349J	58		N2		DAW-B2		
FRH			D04349J	61		28-41-11	D04349J	61		N2		DAW-B2		
PA1			D00815	47		99-99-99	D00815	47		N2		DAW-B2		
PA2			D00817	8		99-99-99	D00817	8		N2		DAW-B2		
PA3			D00819	41		99-99-99	D00819	41		N2		DAW-B2		
PA4			D00821	43		99-99-99	D00821	43		N2		DAW-B2		
PA5			D00823	52		99-99-99	D00823	52		N2		DAW-B2		
PA6			D01433	44		99-99-99	D01433	44		N2		DAW-B2		
PA7			D01381	52		99-99-99	D01381	52		N2		DAW-B2		
PA8			D01487	8		99-99-99	D01487	8		N2		DAW-B2		
PA9			D01489	56		99-99-99	D01489	56		N2		DAW-B2		
PB1			D01739	7		99-99-99	D01739	7		N2		DAW-B2		
PB2			D01741	7		99-99-99	D01741	7		N2		DAW-B2		
PB4			D02261	54		99-99-99	D02261	54		N2		DAW-B2		
P01		SE	D11553							N2			VS217-VS217	
P01		SE	D11553							N2			VS218-VS225	
1	22	PA	D00811	60		31-51-11	GDX0001	60		N2	3	UAE-F2		
2	22	PA	D00821	14		31-51-11	GDX0002	14		N2	2			
3	24	PV	SM00068		W	31-51-11	D00821		W	N2	1			
003Z			SM00068			31-51-11	D00821			N2				
4	24	PV	SM00069		W	31-51-11	D00821		W	N2	1			
004Z			SM00069			31-51-11	D00821			N2				
5	24	PV	D00811	35		31-51-11	D00821	35		N2	3			
005Z			D00811	DED		31-51-11	D00821	DED		N2				
6	24	PK	SM00022		W	31-51-11	D00821		W	N2	1			
7	24	PK	D00811	65		31-51-11	SM00022	65		N2	2			
8	24	PK	D00819	37		31-51-11	SM00022	37		N2	1			
9	24	PV	D00819	27		31-51-11	D00811	27		N2	3			

286T0045-304
Wire Bundle Assembly
Figure 107 (Sheet 1)

25-71-02



BOEING
COMPONENT
MAINTENANCE MANUAL

WIRE			FROM EQUIPMENT				TO EQUIPMENT				WIRE INFO			
NUMBER	GA	TYP	NUMBER	TERM	TT	WD REF	NUMBER	TERM	TT	EMC/SEP	FT	NOTE	EFFECTIVITY	
009Z			D00811	DED		31-51-11	D00819	DED		N2	2		VS218-VS228	
01A	24	PK	D04349J	43		31-51-33	D01489	43		N2	2			
10	22	PA	D00819	14		31-51-11	GDX0001	14		N2	2			
11	24	PK	D01433	51		31-51-11	SM00022	51		N2	1			
12	24	PV	SM00018		W	31-51-11	D01433		W	N2	1			
012Z			SM00018	REF		31-51-11	D01433	REF		N2	1			
13	24	PV	SM00047		W	31-51-11	D01433		W	N2	1			
013Z			SM00047	REF		31-51-11	D01433	REF		N2	1			
14	24	PV	SM00049		W	31-51-11	D01433		W	N2	1			
014Z			SM00049	REF		31-51-11	D01433	REF		N2	1			
15	22	PA	D01433	14		31-51-11	GDX0001	14		N2	2			
16	20	PA	SM00028		W	31-51-11	GDX0005		W	N2	2			
17	20	UA	GDX0002	S..	2	31-51-11	D00821	S..	2	N2	2			
18	20	UA	GDX0005	S..	2	31-51-11	D00819	S..	2	N2	2			
19	20	UA	D01433			31-51-11	GDX0002			N2	2			
20	20	PA	GDX0005	D..	2	31-51-11	SM00029	D..	2	N2	2			
21	20	UA	GDX0002	S..	2	31-51-11	D01503	S..	2	N2	2			
23	20	UA	D00815			31-51-11	GDX0002			N2	2			
24	24	PK	D04349J	38		31-51-11	SM00005	38		N2	1			
25	24	PK	D01503	A2		31-51-11	SM00005	A2		N2	1			
26	20	PA	D01503	A3		31-51-11	GDX0003	A3		N2	2			
27	22	PQ	D01503	X2		31-51-11	D00811	X2		N2	4			
027Z			D00811	DED		31-51-11	D01503	DED		N2	2			
28	24	PV	D01503	X1		31-51-11	SM00015	X1		N2	1			
028Z			SM00015	REF		31-51-11	D01503	REF		N2	2			
29	24	PV	D00811	46		31-51-11	SM00015	46		N2	2			
029Z			SM00015	REF		31-51-11	D00811	REF		N2	2			
30	24	PK	SM00015		W	31-51-11	D11553		W	N2	1			
32	20	PA	D11553	11		31-51-11	GDX0003	11		N2	2			
33	24	PK	D11553	37		31-51-11	D00811	37		N2	4			
34	24	PK	D11553	36		31-51-11	D00811	36		N2	4			
35	22	PA	D00815	14		31-51-11	GDX0001	14		N2	2			

286T0045-304
Wire Bundle Assembly
Figure 107 (Sheet 2)

25-71-02

WIRE			FROM EQUIPMENT				TO EQUIPMENT				WIRE INFO			
NUMBER	GA	TYP	NUMBER	TERM	TT	WD REF	NUMBER	TERM	TT	EMC/ SEP	FT	NOTE	EFFECTIVITY	
36	24	PV	D00815	27		31-51-11	D00811	27		N2	3			
036Z			D00811	DED		31-51-11	D00815	DED		N2				
37	24	PV	D00815	32		31-51-11	D00811	32		N2	3			
037Z			D00811	DED		31-51-11	D00815	DED		N2				
38	24	PV	D00815	17		31-51-11	D00811	17		N2	3			
038Z			D00811	DED		31-51-11	D00815	DED		N2				
39	24	PK	D00815	54		31-51-11	SM00020	54		N2	1			
40	24	PK	D00811	63		31-51-11	SM00020	63		N2	2			
41	24	PK	D00823	35		31-51-11	SM00020	35		N2	1			
42	24	PK	D01381	35		31-51-11	SM00020	35		N2	1			
45	22	PA	D01381	14		31-51-11	GDX0001	14		N2	2			
46	22	PA	D01381	48		31-51-11	GDX0003	48		N2	2			
47	24	PV	D01381	27		31-51-11	D00811	27		N2	3			
047Z			D00811	DED		31-51-11	D01381	DED		N2				
48	24	PV	D01381	32		31-51-11	D00811	32		N2	3			
048Z			D00811	DED		31-51-11	D01381	DED		N2				
49	24	PV	D01381	17		31-51-11	D00811	17		N2	3			
049Z			D00811	DED		31-51-11	D01381	DED		N2				
52	22	PA	D00823	14		31-51-11	GDX0001	14		N2	2			
53	22	PA	D00823	48		31-51-11	GDX0003	48		N2	2			
54	24	PV	D00823	27		31-51-11	D00811	27		N2	3			
054Z			D00811	DED		31-51-11	D00823	DED		N2				
55	24	PV	D00823	32		31-51-11	D00811	32		N2	3			
055Z			D00811	DED		31-51-11	D00823	DED		N2				
56	24	PV	D00823	17		31-51-11	D00811	17		N2	3			
056Z			D00811	DED		31-51-11	D00823	DED		N2				
57	22	PA	D00817	14		31-51-11	GDX0002	14		N2	2			
58	24	PV	D00817	27		31-51-11	D00811	27		N2	3			
058Z			D00811	DED		31-51-11	D00817	DED		N2				
59	24	PV	D00817	32		31-51-11	D00811	32		N2	3			
059Z			D00811	DED		31-51-11	D00817	DED		N2				
60	24	PK	D00817	45		31-51-11	SM00021	45		N2	1			

286T0045-304
Wire Bundle Assembly
Figure 107 (Sheet 3)

25-71-02



BOEING
COMPONENT
MAINTENANCE MANUAL

WIRE			FROM EQUIPMENT			TO EQUIPMENT			WIRE INFO				
NUMBER	GA	TYP	NUMBER	TERM	TT	WD REF	NUMBER	TERM	TT	EMC/SEP	FT	NOTE	EFFECTIVITY
61	24	PK	D00811	64		31-51-11	SM00021	64		N2	2		
62	24	PK	D01489	16		31-51-11	SM00021	16		N2	1		
63	24	PK	D01487	45		31-51-11	SM00021	45		N2	1		
64	24	PV	D01487	27		31-51-11	D00811	27		N2	3		
064Z			D00811	DED		31-51-11	D01487	DED		N2			
65	24	PV	D01487	32		31-51-11	D00811	32		N2	3		
065Z			D00811	DED		31-51-11	D01487	DED		N2			
66	22	PA	D01487	14		31-51-11	GDX0003	14		N2	2		
67	24	PV	D01489	27		31-51-11	D00811	27		N2	3		
067Z			D00811	DED		31-51-11	D01489	DED		N2			
68	24	PV	D01489	32		31-51-11	D00811	32		N2	3		
068Z			D00811	DED		31-51-11	D01489	DED		N2			
69	24	PV	D01489	17		31-51-11	D00811	17		N2	3		
069Z			D00811	DED		31-51-11	D01489	DED		N2			
70	22	PA	D01489	14		31-51-11	GDX0003	14		N2	2		
71	20	UA	D01381			31-51-11	GDX0002			N2	2		
72	20	UA	D00823			31-51-11	GDX0002			N2	2		
73	20	UA	D00817			31-51-11	GDX0002			N2	2		
74	20	PA	SM00026			31-51-11	GDX0005			N2	2		
75	20	UA	D01487		W	31-51-11	GDX0005			N2	2		
76	20	UA	GDX0005	S..	2	31-51-11	D01489	S..	2	N2	2		
77	24	PK	D02261	40		31-41-35	D04349J	40		N2	2		
78	20	PA	SM00027		W	31-51-11	GDX0005			N2	2		
79	22	PA	D00813	60		31-51-12	GDX0003	60		N2	3	UAE-F2	
80	22	PA	D00821	15		31-51-12	GDX0002	15		N2	2		
81	24	PV	D00821	30		31-51-12	SM00073	30		N2	1		
081Z			D00821			31-51-12	SM00073			N2			
82	24	PV	D00821	33		31-51-12	SM00074	33		N2	1		
082Z			D00821			31-51-12	SM00074			N2			
83	24	PV	D00821	24		31-51-12	D00813	24		N2	3		
083Z			D00813	DED		31-51-12	D00821	DED		N2			
84	24	PK	D00821	19		31-51-12	SM00025	19		N2	1		

286T0045-304
Wire Bundle Assembly
Figure 107 (Sheet 4)

25-71-02

WIRE			FROM EQUIPMENT				TO EQUIPMENT				WIRE INFO			
NUMBER	GA	TYP	NUMBER	TERM	TT	WD REF	NUMBER	TERM	TT	EMC/SEP	FT	NOTE	EFFECTIVITY	
85	24	PK	D00813	65		31-51-12	SM00025	65		N2	2			
86	24	PK	D00819	3		31-51-12	SM00025	3		N2	1			
87	24	PK	D01433	18		31-51-12	SM00025	18		N2	1			
88	22	PA	D01433	15		31-51-12	GDX0002	15		N2	2			
89	24	PV	D01433	30		31-51-12	SM00054	30		N2	1			
089Z			SM00054	REF		31-51-12	D01433	REF		N2				
90	24	PV	D01433	33		31-51-12	SM00055	33		N2	1			
090Z			SM00055	REF		31-51-12	D01433	REF		N2				
91	24	PV	D01433	24		31-51-12	SM00056	24		N2	1			
091Z			SM00056	REF		31-51-12	D01433	REF		N2				
92	22	PA	D00819	15		31-51-12	GDX0002	15		N2	2			
93	24	PV	D00819	30		31-51-12	D00813	30		N2	3			
093Z			D00813	DED		31-51-12	D00819	DED		N2				
94	20	PA	SM00032		W	31-51-12	GDX0005		W	N2				
95	24	PV	D01505	X2		31-51-12	D00813	X2		N2	3			
095Z			D00813	DED		31-51-12	D01505	DED		N2				
96	24	PV	D01505	X1		31-51-12	SM00016	X1		N2	1			
096Z			SM00016	REF		31-51-12	D01505	REF		N2				
97	24	PV	D00813	46		31-51-12	SM00016	46		N2	2			
097Z			SM00016	REF		31-51-12	D00813	REF		N2				
98	20	PA	SM00033		W	31-51-12	GDX0005		W	N2				
99	24	PK	SM00016		W	31-51-12	D11553		W	N2	1			
10A	24	PK	D01489	21		31-51-33	D04349J	21		N2	2			
100	20	PA	D11553	1		31-51-12	GDX0003	1		N2	2			
101	20	UA	D00821			31-51-12	GDX0004			N2	2			
102	20	UA	D00819			31-51-12	GDX0004			N2	2			
103	20	UA	D01433			31-51-12	GDX0004			N2	2			
104	20	UA	D01505			31-51-12	GDX0005			N2	2			
106	20	UA	D00815			31-51-12	GDX0004			N2	2			
107	20	UA	D01381			31-51-12	GDX0004			N2	2			
109	20	UA	D00817			31-51-12	GDX0004			N2	2			
110	20	UA	D01487			31-51-12	GDX0001			N2	2			

286T0045-304
Wire Bundle Assembly
Figure 107 (Sheet 5)

25-71-02



BOEING
COMPONENT
MAINTENANCE MANUAL

WIRE		FROM EQUIPMENT			TO EQUIPMENT			WIRE INFO					
NUMBER	GA	TYP	NUMBER	TERM	TT	WD REF	NUMBER	TERM	TT	EMC/SEP	FT	NOTE	EFFECTIVITY
111	20	UA	D01489			31-51-12	GDX0001			N2	2		
112	22	PA	D00815	15		31-51-12	GDX0001	15		N2	2		
113	24	PK	D01505	A2		31-51-12	SM00005	A2		N2	1		
114	20	PA	D01505	A3		31-51-12	GDX0003	A3		N2	2		
115	24	PK	D02261	21		21-61-51	D04347J	21		N2	2		
116	24	PK	D00815	21		31-51-12	SM00023	21		N2	1		
117	24	PK	D00813	63		31-51-12	SM00023	63		N2	2		
118	24	PK	D00823	1		31-51-12	SM00023	1		N2	1		
119	24	PK	D01381	1		31-51-12	SM00023	1		N2	1		
120	22	PA	D01381	15		31-51-12	GDX0001	15		N2	2		
121	24	PK	D00817	56		31-51-12	SM00024	56		N2	1		
122	24	PK	D00813	64		31-51-12	SM00024	64		N2	2		
123	24	PK	D01487	56		31-51-12	SM00024	56		N2	1		
124	22	PA	D00823	15		31-51-12	GDX0001	15		N2	2		
125	20	UA	D00823			31-51-12	GDX0004			N2	2		
126	24	PV	D00823	33		31-51-12	D00813	33		N2	3		
126Z			D00823			31-51-12	D00813			N2			
127	24	PV	D00823	24		31-51-12	D00813	24		N2	3		
127Z			D00823			31-51-12	D00813			N2			
128	22	PA	D00817	15		31-51-12	GDX0002	15		N2	2		
129	24	PV	D00817	30		31-51-12	D00813	30		N2	3		
129Z			D00817			31-51-12	D00813			N2			
130	24	PV	D00817	33		31-51-12	D00813	33		N2	3		
130Z			D00817			31-51-12	D00813			N2			
131	24	PV	D00813	11		31-51-12	D01381	11		N2	3		
131Z			D01381			31-51-12	D00813			N2			
132	24	PV	D00813	16		31-51-12	D01381	16		N2	3		
132Z			D01381			31-51-12	D00813			N2			
133	24	PV	D01381	24		31-51-12	D00813	24		N2	3		
133Z			D01381			31-51-12	D00813			N2			
134	24	PK	D01489	50		31-51-12	SM00024	50		N2	1		
135	24	PV	D01487	30		31-51-12	D00813	30		N2	3		

286T0045-304
Wire Bundle Assembly
Figure 107 (Sheet 6)

25-71-02

WIRE			FROM EQUIPMENT				TO EQUIPMENT				WIRE INFO			
NUMBER	GA	TYP	NUMBER	TERM	TT	WD REF	NUMBER	TERM	TT	EMC/SEP	FT	NOTE	EFFECTIVITY	
135Z			D01487			31-51-12	D00813			N2				
136	24	PV	D01487	33		31-51-12	D00813	33		N2	3			
136Z			D01487			31-51-12	D00813			N2				
137	22	PA	D01487	15		31-51-12	GDX0003	15		N2	2			
138	24	PV	D01489	30		31-51-12	D00813	30		N2	3			
138Z			D01489			31-51-12	D00813			N2				
139	24	PV	D01489	33		31-51-12	D00813	33		N2	3			
139Z			D01489			31-51-12	D00813			N2				
140	24	PV	D01489	24		31-51-12	D00813	24		N2	3			
140Z			D01489			31-51-12	D00813			N2				
141	22	PA	D01489	15		31-51-12	GDX0003	15		N2	2			
142	24	PK	D00813	33		31-51-12	D11553	33		N2	3			
143	24	PK	D11553	27		31-51-12	D00813	27		N2	3			
144	24	PV	D00813	12		31-51-12	D00815	12		N2	3			
144Z			D00813	DED		31-51-12	D00815	DED		N2				
145	20	PA	SM00030		W	31-51-12	GDX0005		W	N2				
146	24	PV	D00813	17		31-51-12	D00815	17		N2	3			
146Z			D00813	DED		31-51-12	D00815	DED		N2				
147	24	PV	D00813	22		31-51-12	D00815	22		N2	3			
147Z			D00813	DED		31-51-12	D00815	DED		N2				
148	24	PV	D00813	10		31-51-12	D00823	10		N2	3			
148Z			D00813	DED		31-51-12	D00823	DED		N2				
149	20	PA	SM00031		W	31-51-12	GDX0005		W	N2				
150	22	PA	D04301J	6		27-32-11	D00823	6		N2	2			
151	24	PK	D04509J	1		27-32-11	D00823	1		N2	2			
152	24	PK	D04347J	26		27-32-11	D00823	26		N2	2			
153	24	PK	D00823	31		27-32-11	D04509J	31		N2	2			
154	20	PA	D04509J	7		27-32-11	GDX0001	7		N2	2			
155	24	PK	SM00037		W	27-32-11	D04511J		W	N2	1			
156	24	PK	D00823	38		27-32-11	D04511J	38		N2	2			
157	24	PK	D04511J	4		27-32-11	SM00050	4		N2	1			
158	24	PK	SM00037		W	27-32-11	D00823		W	N2	1			

286T0045-304
Wire Bundle Assembly
Figure 107 (Sheet 7)

25-71-02



BOEING
COMPONENT
MAINTENANCE MANUAL

WIRE			FROM EQUIPMENT			TO EQUIPMENT			WIRE INFO				
NUMBER	GA	TYP	NUMBER	TERM	TT	WD REF	NUMBER	TERM	TT	EMC/ SEP	FT	NOTE	EFFECTIVITY
159	24	PK	D04349J	14		27-32-11	D00823	14		N2	1		
160	24	PK	D04349J	15		27-32-11	D00823	15		N2	1		
161	24	PK	D04349J	16		27-32-11	D00823	16		N2	1		
162	24	PK	D04349J	10		27-32-11	D00823	10		N2	1		
165	22	PA	D04349J	11		27-32-21	D01381	11		N2	2		
166	24	PK	D01381	40		27-32-21	D04349J	40		N2	2		
167	24	PK	D01381	31		27-32-21	D04511J	31		N2	2		
168	20	PA	GDX0002	D..	2	27-32-21	D04511J	D..	2	N2	2		
169	24	PK	D04349J	34		27-32-21	D01381	34		N2	2		
170	24	PK	D04349J	35		27-32-21	D01381	35		N2	2		
171	24	PK	D04349J	36		27-32-21	D01381	36		N2	2		
172	24	PK	D04349J	37		27-32-21	D01381	37		N2	2		
173	24	PK	D04511J	13		27-32-21	D01381	13		N2	2		
174	24	PK	D04511J	16		27-32-21	D01381	16		N2	2		
175	24	PK	D04511J	15		27-32-21	D01381	15		N2	2		
176	24	PK	D04509J	8		27-32-21	D01381	8		N2	2		
177	24	PK	D00815	34		31-51-21	SM00057	34		N2	1		
178	24	PK	D00815	43		31-51-21	D01433	43		N2	2		
179	24	PK	D00815	10		31-51-21	D00819	10		N2	2		
180	24	PK	D04507J	5		31-51-21	SM00034	5		N2	1		
181	24	PK	SM00058		W	31-51-21	D00815		W	N2	1		
182	24	PK	D00815	4		31-51-21	SM00034	4		N2	1		
183	24	PK	D00815	11		31-51-21	D04349J	11		N2	2		
184	22	PA	D00815	37		31-51-21	SM00035	37		N2	1		
185	22	PA	D00815	42		31-51-21	SM00036	42		N2	1		
186	24	PK	D04349J	5		31-51-21	SM00012	5		N2	1		
187	24	PK	D00815	2		31-51-21	SM00012	2		N2	1		
188	24	PK	SM00011		W	31-51-21	D04349J		W	N2	1		
189	24	PK	SM00011		W	31-51-21	D00815		W	N2	1		
190	24	PK	D04349J	12		31-51-21	SM00009	12		N2	1		
191	24	PK	D00815	44		31-51-21	SM00009	44		N2	1		
192	24	PK	D04347J	10		31-51-21	SM00008	10		N2	1		

286T0045-304
Wire Bundle Assembly
Figure 107 (Sheet 8)

25-71-02

WIRE			FROM EQUIPMENT				TO EQUIPMENT				WIRE INFO			
NUMBER	GA	TYP	NUMBER	TERM	TT	WD REF	NUMBER	TERM	TT	EMC/ SEP	FT	NOTE	EFFECTIVITY	
193	24	PK	D00815	1		31-51-21	SM00008	1		N2	1			
194	24	PK	D04347J	11		31-51-21	SM00010	11		N2	1			
195	24	PK	D00815	36		31-51-21	SM00010	36		N2	1			
196	24	PK	SM00039		W	31-51-21	D04347J		W	N2	1			
197	24	PK	D00815	45		31-51-21	SM00039	45		N2	1			
198	24	PK	D00815	46		31-51-21	D04347J	46		N2	2			
199	20	PA	GDX0004	S..	2	31-51-31	D04597J	S..	2	N2	2			
201B	24	PW	D01489	43		31-51-33	SM00004	43		N2	1			
201R	24	PW	D01489	9		31-51-33	SM00003	9		N2				
201Z			D01489	DED		31-51-33	SM00003	DED		N2				
204	20	UA	D04507J			27-32-11	GDX0004			N2	2			
204B	24	PW	D00823	18		27-32-11	D04507J	18		N2	1			
204R	24	PW	D00823	16		27-32-11	D04507J	16		N2				
204Z			D04507J			27-32-11	D00823			N2				
205B	24	PW	D00815	19		31-51-21	SM00007	19		N2	1			
205R	24	PW	D00815	52		31-51-21	SM00006	52		N2				
205Z			D00815	DED		31-51-21	SM00006	DED		N2				
207	20	UA	D04597J			31-51-21	GDX0004			N2	2			
207B	24	PW	SM00007		W	31-51-21	D04597J		W	N2	1			
207R	24	PW	SM00006		W	31-51-21	D04597J		W	N2				
207Z			SM00006	REF		31-51-21	D04597J	REF		N2				
208	20	UA	D04301J			34-16-11	GDX0002			N2	2			
208B	24	PW	D00821	36		34-16-11	D04301J	36		N2	2			
208R	24	PW	D00821	2		34-16-11	D04301J	2		N2				
208Z			D00821	DED		34-16-11	D04301J	DED		N2				
209B	24	PW	D01489	46		31-51-33	SM00007	46		N2	1			
209R	24	PW	D01489	12		31-51-33	SM00006	12		N2				
209Z			D01489	DED		31-51-33	SM00006	DED		N2				
212B	24	PW	D01433	36		31-51-42	SM00007	36		N2	1			
212R	24	PW	D01433	2		31-51-42	SM00006	2		N2				
212Z			D01433	DED		31-51-42	SM00006	DED		N2				
213	20	UA	D04507J			34-16-11	GDX0004			N2	2			

286T0045-304
Wire Bundle Assembly
Figure 107 (Sheet 9)

25-71-02



BOEING
COMPONENT
MAINTENANCE MANUAL

WIRE			FROM EQUIPMENT				TO EQUIPMENT				WIRE INFO			
NUMBER	GA	TYP	NUMBER	TERM	TT	WD REF	NUMBER	TERM	TT	EMC/ SEP	FT	NOTE	EFFECTIVITY	
213B	24	PW	D00821	35		34-16-11	D04507J	35		N2	2			
213R	24	PW	D00821	1		34-16-11	D04507J	1		N2				
213Z			D00821	DED		34-16-11	D04507J	DED		N2				
214	20	UA	D04349J			34-16-11	GDX0004			N2	2			
214B	24	PW	D00821	37		34-16-11	D04349J	37		N2	2			
214R	24	PW	D00821	3		34-16-11	D04349J	3		N2	2			
214Z			D00821	DED		34-16-11	D04349J	DED		N2				
215B	24	PL	D01487	24		31-51-31	D04597J	24		N2	2			
215R	24	PL	D01487	23		31-51-31	D04597J	23		N2				
216B	24	PL	D00817	24		31-51-32	D04303J	24		N2	2			
216R	24	PL	D00817	23		31-51-32	D04303J	23		N2				
221B	24	PW	D01489	45		31-51-33	SM00004	45		N2	1			
221R	24	PW	D01489	11		31-51-33	SM00003	11		N2				
221Z			D01489	DED		31-51-33	SM00003	DED		N2				
223B	24	PW	D00821	38		34-16-11	SM00004	38		N2	1			
223R	24	PW	D00821	4		34-16-11	SM00003	4		N2				
223Z			D00821	DED		34-16-11	SM00003	DED		N2				
224	20	UA	D04349J			27-32-21	GDX0004			N2	2			
224B	24	PW	D04349J	28		27-32-21	D01381	28		N2	2			
224R	24	PW	D04349J	27		27-32-21	D01381	27		N2				
224Z			D04349J			27-32-21	D01381			N2				
225B	22	PR	D00811	69		31-51-11	SM00060	69		N2	2			
225R	22	PR	D00811	68		31-51-11	SM00060	68		N2				
225Z			D00811	DED		31-51-11	SM00028	DED		N2				
226B	22	PR	D00813	69		31-51-12	SM00061	69		N2	2			
226R	22	PR	D00813	68		31-51-12	SM00061	68		N2				
226Z			D00813	DED		31-51-12	SM00030	DED		N2				
230	20	UA	D04347J			31-51-33	GDX0003			N2	2			
230B	24	PW	D04347J	18		31-51-33	SM00004	18		N2	1			
230R	24	PW	D04347J	17		31-51-33	SM00003	17		N2				
230Z			D04347J			31-51-33	SM00003			N2				
236	20	UA	D04347J			27-32-11	GDX0001			N2	2			

286T0045-304
Wire Bundle Assembly
Figure 107 (Sheet 10)

25-71-02

WIRE			FROM EQUIPMENT				TO EQUIPMENT				WIRE INFO			
NUMBER	GA	TYP	NUMBER	TERM	TT	WD REF	NUMBER	TERM	TT	EMC/SEP	FT	NOTE	EFFECTIVITY	
236B	24	PW	D04347J	37		27-32-11	D00823	37		N2	2			
236R	24	PW	D04347J	36		27-32-11	D00823	36		N2				
236Z			D04347J			27-32-11	D00823			N2	2			
237B	24	PW	D04347J	40		27-32-11	D00823	40		N2				
237R	24	PW	D04347J	39		27-32-11	D00823	39		N2				
237Z			D04347J			27-32-11	D00823			N2	2			
238	20	UA	D04349J			27-32-21	GDX0001			N2	2			
238B	24	PW	D04349J	49		27-32-21	D01381	49		N2	2			
238R	24	PW	D04349J	48		27-32-21	D01381	48		N2				
238Z			D04349J			27-32-21	D01381			N2	2			
239B	24	PW	D01381	20		27-32-21	D04349J	20		N2				
239R	24	PW	D01381	19		27-32-21	D04349J	19		N2				
239Z			D01381	DED		27-32-21	D04349J	DED		N2				
240B	24	PL	D04347J	23		31-51-31	SM00080	23		N2	1			
240R	24	PL	D04347J	22		31-51-31	SM00042	22		N2				
241B	24	PL	D01487	60		31-51-31	SM00080	60		N2	1			
241R	24	PL	D01487	28		31-51-31	SM00042	28		N2				
242B	24	PL	D00817	60		31-51-32	SM00080	60		N2	1			
242R	24	PL	D00817	28		31-51-32	SM00042	28		N2				
243B	24	PW	D04349J	52		27-32-21	D01381	52		N2	2			
243R	24	PW	D04349J	51		27-32-21	D01381	51		N2				
243Z			D04349J			27-32-21	D01381			N2	2			
245B	24	PW	D00823	20		27-32-11	D04347J	20		N2				
245R	24	PW	D00823	19		27-32-11	D04347J	19		N2				
245Z			D00823	DED		27-32-11	D04347J	DED		N2	2			
247	20	UA	D04349J			31-41-35	GDX0006			N2	2			
247B	24	PW	D02261	42		31-41-35	D04349J	42		N2	2			
247R	24	PW	D02261	43		31-41-35	D04349J	43		N2				
247Z			D02261	DED		31-41-35	D04349J	DED		N2				
248	20	UA	D04349J			28-41-11	GDX0006			N2	2			
248B	24	PW	D02261	5		28-41-11	D04349J	5		N2	2			
248R	24	PW	D02261	8		28-41-11	D04349J	8		N2				

286T0045-304
Wire Bundle Assembly
Figure 107 (Sheet 11)

25-71-02



BOEING
COMPONENT
MAINTENANCE MANUAL

WIRE			FROM EQUIPMENT			TO EQUIPMENT			WIRE INFO				
NUMBER	GA	TYP	NUMBER	TERM	TT	WD REF	NUMBER	TERM	TT	EMC/ SEP	FT	NOTE	EFFECTIVITY
248Z			D02261	DED		28-41-11	D04349J	DED		N2			
271B	24	PL	D04597J	5		31-51-31	SM00088	5		N2	1		
271R	24	PL	D04597J	2		31-51-31	SM00087	2		N2	1		
272B	24	PL	D01487	63		31-51-31	SM00088	63		N2			
272R	24	PL	D01487	62		31-51-31	SM00087	62		N2			
273B	24	PL	D00817	63		31-51-32	SM00088	63		N2	1		
273R	24	PL	D00817	62		31-51-32	SM00087	62		N2			
290B	24	PW	D04597J	8		34-43-15	SM00104	8		N2	1		
290R	24	PW	D04597J	7		34-43-15	SM00103	7		N2			
290Z			D04597J	9		34-43-15	SM00103	9		N2			
291B	24	PW	D04303J	4		34-43-15	SM00104	4		N2	1		
291R	24	PW	D04303J	3		34-43-15	SM00103	3		N2			
291Z			D04303J	5		34-43-15	SM00103	5		N2			
292B	24	PW	D04347J	53		34-43-15	SM00104	53		N2	1		
292R	24	PW	D04347J	51		34-43-15	SM00103	51		N2			
292Z			D04347J	61		34-43-15	SM00103	61		N2			
301	20	UA	SM00028	REF		31-51-11	GDX0005	REF		N2	1		
301B	22	PS	D00811	57		31-51-11	SM00028	57		N2	2		
301R	22	PS	D00811	38		31-51-11	SM00028	38		N2			
301Y	22	PS	D00811	58		31-51-11	SM00028	58		N2			
301Z			D00811	DED		31-51-11	SM00028	DED		N2			
302B	22	PS	D00811	42		31-51-11	SM00029	42		N2	2		
302R	22	PS	D00811	41		31-51-11	SM00029	41		N2			
302Y	22	PS	D00811	43		31-51-11	SM00029	43		N2			
302Z			D00811	DED		31-51-11	SM00028	DED		N2			
303B	22	PS	D00811	8		31-51-11	SM00026	8		N2	2		
303R	22	PS	D00811	7		31-51-11	SM00026	7		N2			
303Y	22	PS	D00811	9		31-51-11	SM00026	9		N2			
303Z			D00811	DED		31-51-11	SM00028	DED		N2			
304B	22	PS	D00811	25		31-51-11	SM00027	25		N2	2		
304R	22	PS	D00811	24		31-51-11	SM00027	24		N2			
304Y	22	PS	D00811	37		31-51-11	SM00027	37		N2			

286T0045-304
Wire Bundle Assembly
Figure 107 (Sheet 12)

25-71-02

WIRE			FROM EQUIPMENT			TO EQUIPMENT			WIRE INFO				
NUMBER	GA	TYP	NUMBER	TERM	TT	WD REF	NUMBER	TERM	TT	EMC/SEP	FT	NOTE	EFFECTIVITY
304Z			D00811	DED		31-51-11	SM00028	DED		N2			
305	20	UA	SM00030	REF		31-51-12	GDX0005	REF		N2	1		
305B	22	PS	D00813	8		31-51-12	SM00030	8		N2	2		
305R	22	PS	D00813	7		31-51-12	SM00030	7		N2			
305Y	22	PS	D00813	9		31-51-12	SM00030	9		N2			
305Z			D00813	DED		31-51-12	SM00030	DED		N2			
306B	22	PS	D00813	25		31-51-12	SM00031	25		N2	2		
306R	22	PS	D00813	24		31-51-12	SM00031	24		N2			
306Y	22	PS	D00813	37		31-51-12	SM00031	37		N2			
306Z			D00813	DED		31-51-12	SM00030	DED		N2			
307B	22	PS	D00813	57		31-51-12	SM00032	57		N2	2		
307R	22	PS	D00813	38		31-51-12	SM00032	38		N2			
307Y	22	PS	D00813	58		31-51-12	SM00032	58		N2			
307Z			D00813	DED		31-51-12	SM00030	DED		N2			
308B	22	PS	D00813	42		31-51-12	SM00033	42		N2	2		
308R	22	PS	D00813	41		31-51-12	SM00033	41		N2			
308Y	22	PS	D00813	43		31-51-12	SM00033	43		N2			
308Z			D00813	DED		31-51-12	SM00030	DED		N2			
512	24	PK	D02261	20		27-81-31	D04349J	20		N2	2		
513	24	PK	D00823	41		27-32-12	SM00082	41		N2	1		
514	24	PK	D01381	41		27-32-22	SM00085	41		N2	1		
601	20	PA	SM00060		W	31-51-11	GDX0004			N2			
602	20	PA	SM00061		W	31-51-12	GDX0005			N2			
603	24	PV	D04301J	5		31-51-12	M01103	5		N2	1		
603Z			D04301J	DED		31-51-12	M01103	DED		N2			
604	24	PV	D04301J	4		31-51-12	D00813	4		N2	3		
604Z			D04301J	DED		31-51-12	D00813	DED		N2			
605	24	PV	D00813	1		31-51-12	M01103	1		N2	3		
605Z			D00813			31-51-12	M01103			N2			
606	24	PV	D04349J	32		31-51-11	M01102	32		N2	1		
606Z			D04349J	DED		31-51-11	M01102	DED		N2			
607	24	PV	D04349J	33		31-51-11	D00811	33		N2	3		

286T0045-304
Wire Bundle Assembly
Figure 107 (Sheet 13)

25-71-02



BOEING
COMPONENT
MAINTENANCE MANUAL

WIRE			FROM EQUIPMENT			TO EQUIPMENT			WIRE INFO				
NUMBER	GA	TYP	NUMBER	TERM	TT	WD REF	NUMBER	TERM	TT	EMC/ SEP	FT	NOTE	EFFECTIVITY
607Z			D04349J	DED		31-51-11	D00811	DED		N2			
608	24	PV	D00811	1		31-51-11	M01102	1		N2	3		
608Z			D00811			31-51-11	M01102			N2			
610	24	PK	D00823	37		27-32-11	SM00050	37		N2	1		
611	24	PK	D01433	6		31-51-42	D04347J	6		N2	2		
612	24	PK	D01433	4		31-51-42	SM00050	4		N2	1		
613	24	PK	D04349J	30		31-51-31	SM00065	30		N2	1		
614	24	PK	D01487	52		31-51-31	SM00065	52		N2	1		
615	24	PK	D00817	52		31-51-32	SM00065	52		N2	1		
617	24	PK	D01381	11		27-32-12	D00823	11		N2	1		
618	24	PK	D01381	56		27-32-12	D00823	56		N2	1		
619	24	PK	D00823	45		27-32-12	SM00082	45		N2	1		
620	24	PK	D04349J	29		31-51-21	SM00071	29		N2	1		
621	24	PK	D00815	7		31-51-21	SM00071	7		N2	1		
622	24	PK	D01489	2		31-51-33	SM00071	2		N2	1		
623	24	PK	D01489	36		31-51-33	SM00038	36		N2	1		
624	24	PK	D00815	8		31-51-21	SM00045	8		N2	1		
625	24	PK	D01487	9		31-51-31	SM00034	9		N2	1		
631	24	PK	D00817	9		31-51-32	SM00034	9		N2	1		
644	22	PQ	D00823	66		27-32-31	D04347J	66		N2	2		
644Z			D00823	DED		27-32-31	D04347J	DED		N2			
646	22	PQ	D01381	66		27-32-31	D04349J	66		N2	2		
646Z			D01381	DED		27-32-31	D04349J	DED		N2			
648	24	PK	D04347J	32		34-16-11	D00821	32		N2	2		
649	24	PK	D04347J	33		34-16-11	SM00038	33		N2	1		
652	24	PV	SM00068		W	31-51-11	D00811		W	N2	2		
652Z			SM00068			31-51-11	D00811			N2			
653	24	PV	SM00069		W	31-51-11	D00811		W	N2	2		
653Z			SM00069			31-51-11	D00811			N2			
654	24	PV	SM00068		W	31-51-11	D01739		W	N2	1		
654Z			SM00068			31-51-11	D01739			N2			
655	24	PV	SM00069		W	31-51-11	D01739		W	N2	1		

286T0045-304
Wire Bundle Assembly
Figure 107 (Sheet 14)

25-71-02

WIRE			FROM EQUIPMENT				TO EQUIPMENT				WIRE INFO			
NUMBER	GA	TYP	NUMBER	TERM	TT	WD REF	NUMBER	TERM	TT	EMC/ SEP	FT	NOTE	EFFECTIVITY	
655Z			SM00069			31-51-11	D01739			N2				
656	24	PK	SM00022		W	31-51-11	D01739		W	N2	1			
657	22	PA	D01739	14		31-51-11	GDX0006	14		N2	2			
658	24	PV	D00811	62		31-51-11	D01741	62		N2	3			
658Z			D00811	DED		31-51-11	D01741	DED		N2				
659	24	PV	D00811	76		31-51-11	D01741	76		N2	3			
659Z			D00811	DED		31-51-11	D01741	DED		N2				
660	20	PA	D01741			31-51-11	GDX0006			N2	1			
661	24	PK	D01741	10		31-51-11	D00811	10		N2	3			
662	22	PA	D01741	14		31-51-11	GDX0006	14		N2	1			
663	24	PV	SM00073		W	31-51-12	D00813		W	N2	2			
663Z			SM00073			31-51-12	D00813		W	N2				
664	24	PV	SM00074		W	31-51-12	D00813		W	N2	2			
664Z			SM00074			31-51-12	D00813		W	N2				
665	24	PV	SM00073		W	31-51-12	D01739		W	N2	1			
665Z			SM00073			31-51-12	D01739		W	N2				
666	24	PV	SM00074		W	31-51-12	D01739		W	N2	1			
666Z			SM00074			31-51-12	D01739		W	N2				
667	24	PK	SM00025		W	31-51-12	D01739		W	N2	1			
668	22	PA	D01739	15		31-51-12	GDX0006	15		N2	2			
669	24	PV	D00813	62		31-51-12	D01741	62		N2	2			
669Z			D00813	DED		31-51-12	D01741	DED		N2				
670	24	PV	D00813	76		31-51-12	D01741	76		N2	2			
670Z			D00813	DED		31-51-12	D01741	DED		N2				
671	20	PA	D01741			31-51-12	GDX0006			N2	1			
672	24	PK	D01741	9		31-51-12	D00813	9		N2	2			
673	22	PA	D01741	15		31-51-12	GDX0006	15		N2	1			
674	24	PK	D01487	53		31-51-31	D01739	53		N2	2			
675	24	PK	D00817	53		31-51-32	D01741	53		N2	2			
676	24	PK	D01739	1		31-51-35	SM00036	1		N2	1			
677	24	PK	D01739	3		31-51-35	SM00035	3		N2	1			
679	24	PK	D01741	1		31-51-36	SM00036	1		N2	1			

286T0045-304
Wire Bundle Assembly
Figure 107 (Sheet 15)

25-71-02



BOEING
COMPONENT
MAINTENANCE MANUAL

WIRE			FROM EQUIPMENT				TO EQUIPMENT				WIRE INFO			
NUMBER	GA	TYP	NUMBER	TERM	TT	WD REF	NUMBER	TERM	TT	EMC/ SEP	FT	NOTE	EFFECTIVITY	
680	24	PK	D01741	3		31-51-36	SM00035	3		N2	1			
681	24	PK	D01433	10		31-51-43	D04507J	10		N2	2			
682	24	PK	D01433	13		31-51-43	D04347J	13		N2	2			
683	22	PA	D01433	41		31-51-43	SM00081	41		N2	1			
684	20	PA	GDX0001	D..	2	31-51-43	D04349J	D..	2	N2	2			
685	24	PK	D00823	58		27-32-12	D01505	58		N2	2			
686	24	PK	D00823	8		27-32-11	SM00038	8		N2	1			
687	24	PK	D00823	64		27-32-11	SM00081	64		N2	1			
688	24	PK	D01381	58		27-32-22	D01503	58		N2	2			
689	24	PK	D01381	45		27-32-22	SM00085	45		N2	1			
692	24	PK	D01381	8		27-32-21	SM00038	8		N2	1			
693	24	PK	D04347J	30		31-51-21	D00815	30		N2	2			
694	22	PA	D04349J	46		31-51-43	SM00081	46		N2	1			
696	20	PA	GDX0003	D..	2	27-32-12	SM00082	D..	2	N2	1			
697	20	PA	GDX0003	D..	2	27-32-22	SM00085	D..	2	N2	1			
701	24	PK	D00815	49		31-51-21	D00815	49		N2				
702	24	PK	D00815	16		31-51-21	D00815	16		N2				
703	24	PK	D00819	6		31-51-41	SM00019	6		N2	1			
704	24	PK	SM00075		W	31-51-41	D04511J			N2	1			
705	24	PK	D00819	45		31-51-41	D04511J	45		N2	2			
706	24	PK	D00819	10		31-51-41	D04349J	10		N2	2			
707	24	PK	D00819	21		31-51-41	D04509J	21		N2	2			
708	24	PK	D00819	9		31-51-41	D04349J	9		N2	2			
709	24	PK	D00819	39		31-51-41	SM00044	39		N2	1			
710	24	PK	D00819	43		31-51-41	SM00037	43		N2	1			
711	24	PK	D00819	12		31-51-41	D04349J	12		N2	2			
712	24	PK	D00819	53		31-51-41	D04349J	53		N2	2			
713	24	PK	D00819	20		31-51-41	D04347J	20		N2	2			
714	24	PK	D00819	44		31-51-41	D04349J	44		N2	2			
715	24	PK	D04507J	6		31-51-42	SM00019	6		N2	1			
716	24	PK	D01433	34		31-51-42	SM00019	34		N2	1			
717	24	PK	D01433	37		31-51-42	SM00034	37		N2	1			

286T0045-304
Wire Bundle Assembly
Figure 107 (Sheet 16)

25-71-02

WIRE			FROM EQUIPMENT				TO EQUIPMENT				WIRE INFO			
NUMBER	GA	TYP	NUMBER	TERM	TT	WD REF	NUMBER	TERM	TT	EMC/ SEP	FT	NOTE	EFFECTIVITY	
718	24	PK	D01433	39		31-51-42	D04509J	39		N2	2			
720	24	PK	D01433	52		31-51-42	SM00040	52		N2	1			
721	24	PK	D01433	38		31-51-42	D04347J	38		N2	2			
722	24	PK	D01433	5		31-51-42	D04349J	5		N2	2			
723	24	PK	D04511J	11		31-51-42	SM00038	11		N2	1			
724	24	PK	D01433	40		31-51-42	SM00038	40		N2	1			
725	24	PK	D01433	3		31-51-42	D04347J	3		N2	2			
726	22	PA	D04347J	14		31-51-21	SM00036	14		N2	1			
727	22	PA	D04301J	11		31-51-21	SM00035	11		N2	1			
728	24	PK	D04347J	1		31-51-41	D00819	1		N2	2			
729	24	PK	D04347J	2		31-51-41	D00819	2		N2	2			
730	24	PK	D04347J	3		31-51-41	D00819	3		N2	2			
731	24	PK	D04347J	4		31-51-41	D00819	4		N2	2			
732	24	PK	D04347J	5		31-51-42	D01433	5		N2	2			
733	24	PK	D04347J	16		34-16-11	D00821	16		N2	2			
734	24	PK	D04347J	8		31-51-31	SM00046	8		N2	1			
735	24	PK	D04507J	7		34-16-11	D00821	7		N2	2			
736	24	PK	D04507J	2	W	34-16-11	D00821	2		N2	2			
737	24	PK	SM00041			34-16-11	D00821		W	N2	1			
738	24	PK	D04347J	19		34-16-11	D00821	19		N2	2			
739	24	PK	SM00075		W	34-16-11	D00821		W	N2	1			
741	24	PK	D00821	18		34-16-11	D00821	18		N2				
742	24	PK	D00821	50		34-16-11	D00821	50		N2				
746	24	PK	D04597J	10		31-51-31	SM00043	10		N2	1			
747	24	PK	D01487	46		31-51-31	SM00043	46		N2	1			
748	24	PK	D04347J	7		31-51-31	SM00045	7		N2	1			
749	24	PK	D01487	10		31-51-31	SM00045	10		N2	1			
750	24	PK	D01487	19		31-51-31	SM00046	19		N2	1			
751	24	PK	D01487	13		31-51-31	SM00040	13		N2	1			
752	24	PK	D01487	47		31-51-31	SM00044	47		N2	1			
753	24	PK	D01487	51		31-51-31	SM00041	51		N2	1			
757	24	PK	D01739	11		31-51-35	SM00039	11		N2	1			

286T0045-304
Wire Bundle Assembly
Figure 107 (Sheet 17)

25-71-02



BOEING
COMPONENT
MAINTENANCE MANUAL

WIRE			FROM EQUIPMENT			TO EQUIPMENT			WIRE INFO				
NUMBER	GA	TYP	NUMBER	TERM	TT	WD REF	NUMBER	TERM	TT	EMC/ SEP	FT	NOTE	EFFECTIVITY
758	24	PK	D01487	22		31-51-31	D01489	22		N2	2		
759	24	PK	D01487	55		31-51-31	D01489	55		N2	2		
760	24	PK	D01487	34		31-51-31	D01489	34		N2	2		
761	24	PK	D01487	66		31-51-31	D01489	66		N2	2		
762	24	PK	D00817	10		31-51-32	SM00045	10		N2	1		
763	24	PK	D00817	46		31-51-32	SM00043	46		N2	1		
766	24	PV	D01741	11		31-51-36	SM00053	11		N2	1		
766Z			D01741	DED		31-51-36	SM00053	DED		N2			
767	24	PK	D00817	19		31-51-32	SM00046	19		N2	1		
768	24	PK	D00817	13		31-51-32	SM00040	13		N2	1		
769	24	PK	D00817	47		31-51-32	SM00044	47		N2	1		
770	24	PK	D00817	51		31-51-32	SM00041	51		N2	1		
772	24	PK	D00817	22		31-51-32	D01489	22		N2	2		
773	24	PK	D00817	55		31-51-32	D01489	55		N2	2		
774	24	PK	D00817	34		31-51-32	D01489	34		N2	2		
775	24	PK	D00817	66		31-51-32	D01489	66		N2	2		
776	24	PK	D01489	42		31-51-33	D04347J	42		N2	2		
777	24	PK	D01489	8		31-51-33	D04349J	8		N2	2		
779	24	PK	D01489	35		31-51-33	D04349J	35		N2	2		
780	24	PK	D01489	53		31-51-33	D04349J	53		N2	2		
781	24	PK	D01489	31		31-51-33	D01489	31		N2			
782	24	PK	D01489	18		31-51-33	D01489	18		N2			
783	24	PK	D01489	38		31-51-33	SM00008	38		N2	1		
784	24	PK	D01489	4		31-51-33	SM00011	4		N2	1		
785	24	PK	D01489	37		31-51-33	SM00012	37		N2	1		
786	24	PK	D01489	3		31-51-33	SM00010	3		N2	1		
787	24	PK	D01489	1		31-51-33	SM00009	1		N2	1		
788	24	PK	D01489	6		31-51-33	SM00034	6		N2	1		
789	24	PK	D01489	41		31-51-33	D04509J	41		N2	2		
791	24	PK	D01489	7		31-51-33	D04509J	7		N2	2		
792	24	PK	D01489	40		31-51-33	D04509J	40		N2	2		
793	24	PK	D00819	11		31-51-41	SM00075	11		N2	1		

286T0045-304
Wire Bundle Assembly
Figure 107 (Sheet 18)

25-71-02

WIRE			FROM EQUIPMENT			TO EQUIPMENT			WIRE INFO				
NUMBER	GA	TYP	NUMBER	TERM	TT	WD REF	NUMBER	TERM	TT	EMC/ SEP	FT	NOTE	EFFECTIVITY
794	20	PA	D04303J	10		31-51-32	GDX0004	10		N2	2		
795	24	PK	D01433	9		31-51-42	D01433	9		N2			
796	24	PK	D01433	22		31-51-42	D01433	22		N2			
797	24	PV	D00815	41		31-51-21	SM00053	41		N2	1		
797Z			D00815	DED		31-51-21	SM00053	DED		N2			
798	24	PV	D04349J	9		31-51-21	SM00053	9		N2	1		
798Z			D04349J	DED		31-51-21	SM00053	DED		N2			
817	24	PK	D00823	55		27-32-12	D11553	55		N2	2		
818	24	PK	D00823	21		27-32-12	D11553	21		N2	2		
819	24	PK	D00823	51		27-32-12	D11553	51		N2	2		
820	24	PK	D00823	50		27-32-12	D11553	50		N2	2		
821	24	PK	D00823	49		27-32-12	D11553	49		N2	2		
822	24	PK	D00823	47		27-32-12	D11553	47		N2	2		
823	24	PK	D00823	46		27-32-12	D11553	46		N2	2		
824	24	PK	D00823	53		27-32-12	D11553	53		N2	2		
825	24	PK	D00823	62		27-32-12	D11553	62		N2	2		
826	24	PK	D01381	55		27-32-22	D11553	55		N2	2		
827	24	PK	D01381	21		27-32-22	D11553	21		N2	2		
828	24	PK	D01381	51		27-32-22	D11553	51		N2	2		
829	24	PK	D01381	50		27-32-22	D11553	50		N2	2		
830	24	PK	D01381	49		27-32-22	D11553	49		N2	2		
831	24	PK	D01381	47		27-32-22	D11553	47		N2	2		
832	24	PK	D01381	46		27-32-22	D11553	46		N2	2		
833	24	PK	D01381	53		27-32-22	D11553	53		N2	2		
834	24	PK	D01381	62		27-32-22	D11553	62		N2	2		
835	24	PK	D04349J	50		27-32-21	D01381	50		N2	2		
836	20	PA	D04349J	53		27-32-21	GDX0002	53		N2	2		
837	24	PK	D00823	42		27-32-12	SM00082	42		N2	1		
838	24	PK	D01381	42		27-32-22	SM00085	42		N2	1		
842	24	PK	D01381	6		27-32-22	SM00085	6		N2	1		
843	24	PK	D00823	6		27-32-12	SM00082	6		N2	1		
862	22	PA	D02261	30		31-41-35	GDX0006	30		N2	1		

286T0045-304
Wire Bundle Assembly
Figure 107 (Sheet 19)

25-71-02



BOEING
COMPONENT
MAINTENANCE MANUAL

WIRE			FROM EQUIPMENT			TO EQUIPMENT			WIRE INFO				
NUMBER	GA	TYP	NUMBER	TERM	TT	WD REF	NUMBER	TERM	TT	EMC/SEP	FT	NOTE	EFFECTIVITY
863	22	PA	D02261	32		31-41-35	GDX0006	32		N2	1		
864	22	PA	D02261	33		31-41-35	GDX0006	33		N2	1		
865	22	PA	D02261	64		31-41-35	GDX0006	64		N2	1		
866	24	PV	D02261	27		31-51-11	SM00018	27		N2	1		
866Z	24	PV	D02261	DED		31-51-11	SM00018	DED		N2	1		
867	24	PV	D02261	28		31-51-11	SM00047	28		N2	1		
867Z	24	PV	D02261	DED		31-51-11	SM00047	DED		N2	1		
868	24	PV	D02261	29		31-51-12	SM00054	29		N2	1		
868Z	24	PV	D02261	DED		31-51-12	SM00054	DED		N2	1		
869	24	PK	D02261	34		31-51-12	SM00025	34		N2	1		
870	22	PA	D02261	56		31-51-12	GDX0001	56		N2	2		
871	22	PA	D02261	57		31-51-12	GDX0003	57		N2	2		
872	22	PA	D02261	59		31-51-11	GDX0005	59		N2	1		
873	24	PV	D02261	60		31-51-12	SM00055	60		N2	1		
873Z	24	PV	D02261	DED		31-51-12	SM00055	DED		N2	1		
874	24	PV	D02261	62		31-51-11	SM00049	62		N2	1		
874Z	24	PV	D02261	DED		31-51-11	SM00049	DED		N2	1		
875	24	PV	D02261	63		31-51-12	SM00056	63		N2	1		
875Z	24	PV	D02261	DED		31-51-12	SM00056	DED		N2	1		
876	24	PK	D02261	65		31-51-11	SM00022	65		N2	1		
877	24	PV	D00811	14		31-51-11	SM00018	14		N2	2		
877Z	24	PV	D00811	DED		31-51-11	SM00018	DED		N2	2		
878	24	PV	D00811	48		31-51-11	SM00047	48		N2	2		
878Z	24	PV	D00811	DED		31-51-11	SM00047	DED		N2	2		
879	24	PV	D00811	23		31-51-11	SM00049	23		N2	2		
879Z	24	PV	D00811	DED		31-51-11	SM00049	DED		N2	2		
880	24	PV	D00813	14		31-51-12	SM00054	14		N2	2		
880Z	24	PV	D00813	DED		31-51-12	SM00054	DED		N2	2		
881	24	PV	D00813	48		31-51-12	SM00055	48		N2	2		
881Z	24	PV	D00813	DED		31-51-12	SM00055	DED		N2	2		
882	24	PV	D00813	23		31-51-12	SM00056	23		N2	2		
882Z	24	PV	D00813	DED		31-51-12	SM00056	DED		N2	2		

286T0045-304
Wire Bundle Assembly
Figure 107 (Sheet 20)

25-71-02

WIRE			FROM EQUIPMENT			TO EQUIPMENT			WIRE INFO			
NUMBER	GA	TYP	NUMBER	TERM	TT	NUMBER	TERM	TT	EMC/SEP	FT	NOTE	EFFECTIVITY
883	22	PA	D02261	15		D04349J	15		N2	2		
884	22	PA	D02261	47		D04347J	47		N2	2		
885	24	PK	D04303J	9		SM00057	9		N2	1		
886	24	PK	D04507J	3		SM00058	3		N2	1		
887	24	PK	D04507J	1		SM00058	1		N2	1		
888	24	PK	SM00057		W	D04349J		W	N2	1		

286T0045-304
 Wire Bundle Assembly
 Figure 107 (Sheet 21)

25-71-02



BOEING
COMPONENT
MAINTENANCE MANUAL

WIRE		FROM EQUIPMENT			TO EQUIPMENT			WIRE INFO					
NUMBER	GA	TYP	NUMBER	TER M	TT	WD REF	NUMBER	TERM	TT	EMC / SEP	FT	NOTE	EFFECTIVITY
FRA			M01103			31-51-12	M01103	GND	D	N2			
FRB			D00813			31-51-12	D00813	59		N2			
FRC			M01102			31-51-11	M01102	GND	D	N2			
FRD			D00811			31-51-11	D00811	59		N2			
FRG			D04349J	58		31-41-35	D04349J			N2			
FRH			D04349J	61		28-41-11	D04349J			N2			
PA1			D00815	47		99-99-99	D00815	63		N2		DAW-B2	
PA2			D00817	8		99-99-99	D00817	57		N2		DAW-B2	
PA3			D00819	41		99-99-99	D00819	55		N2		DAW-B2	
PA4			D00821	43		99-99-99	D00821	60		N2		DAW-B2	
PA5			D00823	52		99-99-99	D00823	65		N2		DAW-B2	
PA6			D01433	44		99-99-99	D01433	61		N2		DAW-B2	
PA7			D01381	52		99-99-99	D01381	65		N2		DAW-B2	
PA8			D01487	8		99-99-99	D01487	57		N2		DAW-B2	
PA9			D01489	56		99-99-99	D01489	65		N2		DAW-B2	
PB4			D02261	54		99-99-99	D02261	61		N2		DAW-B2	
P01		SE	D11553							N2			
P01		SE	D11553							N2			
1	22	PA	D00811	60		31-51-11	GDX0001	S..	2	N2	3		VS291-VS293
2	22	PA	D00821	14		31-51-11	GDX0002	D..	2	N2	2		VS293-VS300
3	24	PV	D00811	26		31-51-11	D00821	27		N2	3		
003Z			D00811	ED		31-51-11	D00821			N2			
4	24	PV	D00811	49		31-51-11	D00821	32		N2	3		
004Z			D00811	ED		31-51-11	D00821			N2			
5	24	PV	D00811	35		31-51-11	D00821	17		N2	3		
005Z			D00811	ED		31-51-11	D00821			N2			
6	24	PK	SM00022		W	31-51-11	D00821	51		N2	1		
7	24	PK	D00811	65		31-51-11	SM00022		W	N2	2		
8	24	PK	D00819	37		31-51-11	SM00022		W	N2	1		
9	24	PV	D00819	27		31-51-11	D00811	13		N2	3		
009Z			D00811	ED		31-51-11	D00819			N2			
01A	24	PK	D04349J	43		31-51-33	D01489	49		N2	2		VS294-VS300

286T0045-305
Wire Bundle Assembly
Figure 108 (Sheet 1)

25-71-02

WIRE NUMBER	GA	TYP	FROM EQUIPMENT		TO EQUIPMENT		WIRE INFO					
			NUMBER	TER M	WD REF	NUMBER	TERM	TT	EMC/ SEP	FT	NOTE	EFFECTIVITY
10	22	PA	D00819	14	31-51-11	GDX0001	D..	2	N2	2		
11	24	PK	D01433	51	31-51-11	SM00022		W	N2	1		
12	24	PV	SM00018		31-51-11	D01433	27		N2	1		
012Z			SM00018	EF	31-51-11	D01433			N2	1		
13	24	PV	SM00047		31-51-11	D01433	32		N2	1		
013Z			SM00047	EF	31-51-11	D01433			N2	1		
14	24	PV	SM00049		31-51-11	D01433	17		N2	1		
014Z			SM00049	EF	31-51-11	D01433			N2	1		
15	22	PA	D01433	14	31-51-11	GDX0001	D..	2	N2	2		
16	20	PA	SM00028		31-51-11	GDX0005	D..	2	N2	2		
17	20	UA	GDX0002	..	31-51-11	D00821			N2	2		
18	20	UA	GDX0005	..	31-51-11	D00819			N2	2		
19	20	UA	D01433		31-51-11	GDX0002	S..	2	N2	2		
20	20	PA	GDX0005	..	31-51-11	SM00029		W	N2	2		
21	20	UA	GDX0002	..	31-51-11	D01503			N2	2		
23	20	UA	D00815		31-51-11	GDX0002	S..	2	N2	2		
24	24	PK	D04349J	38	31-51-11	SM00005		W	N2	1		
25	24	PK	D01503	A2	31-51-11	SM00005		W	N2	1		
26	20	PA	D01503	A3	31-51-11	GDX0003		2	N2	2		
27	22	PQ	D01503	X2	31-51-11	D00811	D..		N2	4		
027Z			D00811	ED	31-51-11	D01503	75		N2	4		
28	24	PV	D01503	X1	31-51-11	SM00015		W	N2	1		
028Z			SM00015	EF	31-51-11	D01503			N2	2		
29	24	PV	D00811	46	31-51-11	SM00015		W	N2	2		
029Z			SM00015	EF	31-51-11	D00811	DED		N2	2		
30	24	PK	SM00015		31-51-11	D11553	35		N2	1		
32	20	PA	D11553	11	31-51-11	GDX0003	D..	2	N2	2		
33	24	PK	D11553	37	31-51-11	D00811	34		N2	4		
34	24	PK	D11553	36	31-51-11	D00811	33		N2	4		
35	22	PA	D00815	14	31-51-11	GDX0001	D..	2	N2	2		
36	24	PV	D00815	27	31-51-11	D00811	12		N2	3		
036Z			D00811	ED	31-51-11	D00815			N2	3		

286T0045-305
Wire Bundle Assembly
Figure 108 (Sheet 2)

25-71-02



BOEING
COMPONENT
MAINTENANCE MANUAL

WIRE		FROM EQUIPMENT			TO EQUIPMENT			WIRE INFO					
NUMBER	GA	TYP	NUMBER	TER	TT	WD REF	NUMBER	TERM	TT	EMC/SEP	FT	NOTE	EFFECTIVITY
				M									
37	24	PV	D00815	32		31-51-11	D00811	17		N2	3		
037Z			D00811	ED		31-51-11	D00815			N2			
38	24	PV	D00815	17		31-51-11	D00811	22		N2	3		
038Z			D00811	ED		31-51-11	D00815			N2			
39	24	PK	D00815	54		31-51-11	SM00020		W	N2	1		
40	24	PK	D00811	63		31-51-11	SM00020		W	N2	2		
41	24	PK	D00823	35		31-51-11	SM00020		W	N2	1		
42	24	PK	D01381	35		31-51-11	SM00020		W	N2	1		
45	22	PA	D01381	14		31-51-11	GDX0001	D..	2	N2	2		
46	22	PA	D01381	48		31-51-11	GDX0003	D..	2	N2	2		
47	24	PV	D01381	27		31-51-11	D00811	11		N2	3		
047Z			D00811	ED		31-51-11	D01381			N2			
48	24	PV	D01381	32		31-51-11	D00811	16		N2	3		
048Z			D00811	ED		31-51-11	D01381			N2			
49	24	PV	D01381	17		31-51-11	D00811	21		N2	3		
049Z			D00811	ED		31-51-11	D01381			N2			
52	22	PA	D00823	14		31-51-11	GDX0001	D..	2	N2	2		
53	22	PA	D00823	48		31-51-11	GDX0003	D..	2	N2	2		
54	24	PV	D00823	27		31-51-11	D00811	10		N2	3		
054Z			D00811	ED		31-51-11	D00823			N2			
55	24	PV	D00823	32		31-51-11	D00811	15		N2	3		
055Z			D00811	ED		31-51-11	D00823			N2			
56	24	PV	D00823	17		31-51-11	D00811	20		N2	3		
056Z			D00811	ED		31-51-11	D00823			N2			
57	22	PA	D00817	14		31-51-11	GDX0002	D..	2	N2	2		
58	24	PV	D00817	27		31-51-11	D00811	51		N2	3		
058Z			D00811	ED		31-51-11	D00817			N2			
59	24	PV	D00817	32		31-51-11	D00811	74		N2	3		
059Z			D00811	ED		31-51-11	D00817			N2			
60	24	PK	D00817	45		31-51-11	SM00021		W	N2	1		
61	24	PK	D00811	64		31-51-11	SM00021		W	N2	2		
62	24	PK	D01489	16		31-51-11	SM00021		W	N2	1		

286T0045-305
Wire Bundle Assembly
Figure 108 (Sheet 3)

25-71-02

TESTING & TROUBLE SHOOTING
01 Page 142U
Nov 01/02

WIRE		FROM EQUIPMENT		TO EQUIPMENT		WIRE INFO							
NUMBER	GA	TYP	NUMBER	TER M	TT	WD REF	NUMBER	TERM	TT	EMC / SEP	FT	NOTE	EFFECTIVITY
63	24	PK	D01487	45		31-51-11	SM00021		W	N2	1		
64	24	PV	D01487	27		31-51-11	D00811	47		N2	3		
064Z			D00811	ED		31-51-11	D01487			N2			
65	24	PV	D01487	32		31-51-11	D00811	70		N2	3		
065Z			D00811	ED		31-51-11	D01487			N2			
66	22	PA	D01487	14		31-51-11	GDX0003	D..	2	N2	2		
67	24	PV	D01489	27		31-51-11	D00811	45		N2	3		
067Z			D00811	ED		31-51-11	D01489			N2			
68	24	PV	D01489	32		31-51-11	D00811	50		N2	3		
068Z			D00811	ED		31-51-11	D01489			N2			
69	24	PV	D01489	17		31-51-11	D00811	36		N2	3		
069Z			D00811	ED		31-51-11	D01489			N2			
70	22	PA	D01489	14		31-51-11	GDX0003	D..	2	N2	2		
71	20	UA	D01381			31-51-11	GDX0002	S..	2	N2	2		
72	20	UA	D00823			31-51-11	GDX0002	S..	2	N2	2		
73	20	UA	D00817			31-51-11	GDX0002	S..	2	N2	2		
74	20	PA	SM00026		W	31-51-11	GDX0005	D..	2	N2	2		
75	20	UA	D01487			31-51-11	GDX0005	S..	2	N2	2		
76	20	UA	GDX0005		2	31-51-11	D01489			N2	2		
77	24	PK	D02261	40		31-41-35	D04349J	1		N2	2		
78	20	PA	SM00027		W	31-51-11	GDX0005	D..	2	N2	2		
79	22	PA	D00813	60		31-51-12	GDX0003	S..	2	N2	3		
80	22	PA	D00821	15		31-51-12	GDX0002	D..	2	N2	2		
81	24	PV	D00821	30		31-51-12	D00813	26		N2	3		
081Z			D00813	ED		31-51-12	D00821			N2			
82	24	PV	D00821	33		31-51-12	D00813	49		N2	3		
082Z			D00813	ED		31-51-12	D00821			N2			
83	24	PV	D00821	24		31-51-12	D00813	35		N2	3		
083Z			D00813	ED		31-51-12	D00821			N2			
84	24	PK	D00821	19		31-51-12	SM00025		W	N2	1		
85	24	PK	D00813	65		31-51-12	SM00025		W	N2	2		
86	24	PK	D00819	3		31-51-12	SM00025		W	N2	1		

286T0045-305
Wire Bundle Assembly
Figure 108 (Sheet 4)

25-71-02



BOEING
COMPONENT
MAINTENANCE MANUAL

WIRE		FROM EQUIPMENT			TO EQUIPMENT			WIRE INFO					
NUMBER	GA	TYP	NUMBER	TER M	TT	WD REF	NUMBER	TERM	TT	EMC/ SEP	FT	NOTE	EFFECTIVITY
87	24	PK	D01433	18		31-51-12	SM00025		W	N2	1		
88	22	PA	D01433	15		31-51-12	GDX0002	D..	2	N2	2		
89	24	PV	D01433	30		31-51-12	SM00054		W	N2	1		
089Z			SM00054	EF		31-51-12	D01433			N2			
90	24	PV	D01433	33		31-51-12	SM00055		W	N2	1		
090Z			SM00055	EF		31-51-12	D01433			N2			
91	24	PV	D01433	24		31-51-12	SM00056		W	N2	1		
091Z			SM00056	EF		31-51-12	D01433			N2			
92	22	PA	D00819	15		31-51-12	GDX0002	D..	2	N2	2		
93	24	PV	D00819	30		31-51-12	D00813	13		N2	3		
093Z			D00813	ED		31-51-12	D00819			N2			
94	20	PA	SM00032		W	31-51-12	GDX0005	D..	2	N2			
95	24	PV	D01505	X2		31-51-12	D00813	75		N2	3		
095Z			D00813	ED		31-51-12	D01505			N2			
96	24	PV	D01505	X1		31-51-12	SM00016		W	N2	1		
096Z			SM00016	EF		31-51-12	D01505			N2			
97	24	PV	D00813	46		31-51-12	SM00016		W	N2	2		
097Z			SM00016	EF		31-51-12	D00813	DED		N2			
98	20	PA	SM00033		W	31-51-12	GDX0005	D..	2	N2			
99	24	PK	SM00016		W	31-51-12	D11553	25		N2	1		
100	20	PA	D11553	1		31-51-12	GDX0003	D..	2	N2	2		
101	20	UA	D00821			31-51-12	GDX0004	S..	2	N2	2		
102	20	UA	D00819			31-51-12	GDX0004	S..	2	N2	2		
103	20	UA	D01433			31-51-12	GDX0004	S..	2	N2	2		
104	20	UA	D01505			31-51-12	GDX0005	S..	2	N2	2		
106	20	UA	D00815			31-51-12	GDX0004	S..	2	N2	2		
107	20	UA	D01381			31-51-12	GDX0004	S..	2	N2	2		
109	20	UA	D00817			31-51-12	GDX0004	S..	2	N2	2		
110	20	UA	D01487			31-51-12	GDX0001	S..	2	N2	2		
111	20	UA	D01489			31-51-12	GDX0001	S..	2	N2	2		
112	22	PA	D00815	15		31-51-12	GDX0001	D..	2	N2	2		
113	24	PK	D01505	A2		31-51-12	SM00005		W	N2	1		

286T0045-305
Wire Bundle Assembly
Figure 108 (Sheet 5)

25-71-02

WIRE		FROM EQUIPMENT		TO EQUIPMENT		WIRE INFO							
NUMBER	GA	TYP	NUMBER	TER	TT	WD REF	NUMBER	TERM	TT	EMC/ SEP	FT	NOTE	EFFECTIVITY
				M									
114	20	PA	D01505	A3		31-51-12	GDX0003	D..	2	N2	2		
115	24	PK	D02261	21		21-61-51	D04347J	25		N2	2		
116	24	PK	D00815	21		31-51-12	SM00023		W	N2	1		
117	24	PK	D00813	63		31-51-12	SM00023		W	N2	2		
118	24	PK	D00823	1		31-51-12	SM00023		W	N2	1		
119	24	PK	D01381	1		31-51-12	SM00023		W	N2	1		
120	22	PA	D01381	15		31-51-12	GDX0001	D..	2	N2	2		
121	24	PK	D00817	56		31-51-12	SM00024		W	N2	1		
122	24	PK	D00813	64		31-51-12	SM00024		W	N2	2		
123	24	PK	D01487	56		31-51-12	SM00024		W	N2	1		
124	22	PA	D00823	15		31-51-12	GDX0001	D..	2	N2	2		
125	20	VA	D00823			31-51-12	GDX0004	S..	2	N2	2		
126	24	PV	D00823	33		31-51-12	D00813	15		N2	3		
126Z			D00823			31-51-12	D00813	DED		N2			
127	24	PV	D00823	24		31-51-12	D00813	20		N2	3		
127Z			D00823			31-51-12	D00813	DED		N2			
128	22	PA	D00817	15		31-51-12	GDX0002	D..	2	N2	2		
129	24	PV	D00817	30		31-51-12	D00813	51		N2	3		
129Z			D00817			31-51-12	D00813	DED		N2			
130	24	PV	D00817	33		31-51-12	D00813	74		N2	3		
130Z			D00817			31-51-12	D00813	DED		N2			
131	24	PV	D00813	11		31-51-12	D01381	30		N2	3		
131Z			D01381			31-51-12	D00813	DED		N2			
132	24	PV	D00813	16		31-51-12	D01381	33		N2	3		
132Z			D01381			31-51-12	D00813	DED		N2			
133	24	PV	D01381	24		31-51-12	D00813	21		N2	3		
133Z			D01381			31-51-12	D00813	DED		N2			
134	24	PK	D01489	50		31-51-12	SM00024		W	N2	1		
135	24	PV	D01487	30		31-51-12	D00813	47		N2	3		
135Z			D01487			31-51-12	D00813	DED		N2			
136	24	PV	D01487	33		31-51-12	D00813	70		N2	3		
136Z			D01487			31-51-12	D00813	DED		N2			

286T0045-305
Wire Bundle Assembly
Figure 108 (Sheet 6)

25-71-02



BOEING
COMPONENT
MAINTENANCE MANUAL

WIRE		FROM EQUIPMENT			TO EQUIPMENT			WIRE INFO					
NUMBER	GA	TYP	NUMBER	TER M	TT	WD REF	NUMBER	TERM	TT	EMC/ SEP	FT	NOTE	EFFECTIVITY
137	22	PA	D01487	15		31-51-12	GDX0003	D..	2	N2	2		
138	24	PV	D01489	30		31-51-12	D00813	45		N2	3		
138Z			D01489			31-51-12	D00813	DED		N2			
139	24	PV	D01489	33		31-51-12	D00813	50		N2	3		
139Z			D01489			31-51-12	D00813	DED		N2			
140	24	PV	D01489	24		31-51-12	D00813	36		N2	3		
140Z			D01489			31-51-12	D00813	DED		N2			
141	22	PA	D01489	15		31-51-12	GDX0003	D..	2	N2	2		
142	24	PK	D00813	33		31-51-12	D11553	26		N2	3		
143	24	PK	D11553	27		31-51-12	D00813	34		N2	3		
144	24	PV	D00813	12		31-51-12	D00815	30		N2	3		
144Z			D00813	ED		31-51-12	D00815			N2			
145	20	PA	SM00030		W	31-51-12	GDX0005	D..	2	N2			
146	24	PV	D00813	17		31-51-12	D00815	33		N2	3		
146Z			D00813	ED		31-51-12	D00815			N2			
147	24	PV	D00813	22		31-51-12	D00815	24		N2	3		
147Z			D00813	ED		31-51-12	D00815			N2			
148	24	PV	D00813	10		31-51-12	D00823	30		N2	3		
148Z			D00813	ED		31-51-12	D00823			N2			
149	20	PA	SM00031		W	31-51-12	GDX0005	D..	2	N2			
150	22	PA	D04301J	6		27-32-11	D00823	34		N2	2		
151	24	PK	D04509J	1		27-32-11	D00823	39		N2	2		
152	24	PK	D04347J	26		27-32-11	D00823	40		N2	2		
153	24	PK	D00823	31		27-32-11	D04509J	6		N2	2		
154	20	PA	D04509J	7		27-32-11	GDX0001	D..	2	N2	2		
155	24	PK	SM00037		W	27-32-11	D04511J	3		N2	1		
156	24	PK	D00823	38		27-32-11	D04511J	2		N2	2		
157	24	PK	D04511J	4		27-32-11	SM00050		W	N2	1		
158	24	PK	SM00037		W	27-32-11	D00823	4		N2	1		
159	24	PK	D04349J	14		27-32-11	D00823	36		N2	1		
160	24	PK	D04349J	15		27-32-11	D00823	3		N2	1		
161	24	PK	D04349J	16		27-32-11	D00823	43		N2	1		

286T0045-305
Wire Bundle Assembly
Figure 108 (Sheet 7)

25-71-02

TESTING & TROUBLE SHOOTING
01 Page 142Y
Nov 01/02

WIRE NUMBER	GA	TYP	FROM EQUIPMENT		TO EQUIPMENT		WIRE INFO					
			NUMBER	TER M	WD REF	NUMBER	TERM	TT	EMC/ SEP	FT	NOTE	EFFECTIVITY
162	24	PK	D04349J	10	27-32-11	D00823	2		N2	1		
165	22	PA	D04349J	11	27-32-21	D01381	34		N2	2		
166	24	PK	D01381	40	27-32-21	D04349J	6		N2	2		
167	24	PK	D01381	31	27-32-21	D04511J	7		N2	2		
168	20	PA	GDX0002	..	27-32-21	D04511J	8		N2	2		
169	24	PK	D04349J	34	27-32-21	D01381	36		N2	2		
170	24	PK	D04349J	35	27-32-21	D01381	3		N2	2		
171	24	PK	D04349J	36	27-32-21	D01381	43		N2	2		
172	24	PK	D04349J	37	27-32-21	D01381	2		N2	2		
173	24	PK	D04511J	13	27-32-21	D01381	4		N2	2		
174	24	PK	D04511J	16	27-32-21	D01381	37		N2	2		
175	24	PK	D04511J	15	27-32-21	D01381	38		N2	2		
176	24	PK	D04509J	8	27-32-21	D01381	39		N2	2		
177	24	PK	D00815	34	31-51-21	SM00057		W	N2	1		
178	24	PK	D00815	43	31-51-21	D01433	19		N2	2		
179	24	PK	D00815	10	31-51-21	D00819	5		N2	2		
180	24	PK	D04507J	5	31-51-21	SM00034		W	N2	1		
181	24	PK	SM00058		31-51-21	D00815	66		N2	1		
182	24	PK	D00815	4	31-51-21	SM00034		W	N2	1		
183	24	PK	D00815	11	31-51-21	D04349J	39		N2	2		
184	22	PA	D00815	37	31-51-21	SM00035		W	N2	1		
185	22	PA	D00815	42	31-51-21	SM00036		W	N2	1		
186	24	PK	D04349J	5	31-51-21	SM00012		W	N2	1		
187	24	PK	D00815	2	31-51-21	SM00012		W	N2	1		
188	24	PK	SM00011		31-51-21	D04349J	4		N2	1		
189	24	PK	SM00011		31-51-21	D00815	35		N2	1		
190	24	PK	D04349J	12	31-51-21	SM00009		W	N2	1		
191	24	PK	D00815	44	31-51-21	SM00009		W	N2	1		
192	24	PK	D04347J	10	31-51-21	SM00008		W	N2	1		
193	24	PK	D00815	1	31-51-21	SM00008		W	N2	1		
194	24	PK	D04347J	11	31-51-21	SM00010		W	N2	1		
195	24	PK	D00815	36	31-51-21	SM00010		W	N2	1		

286T0045-305
Wire Bundle Assembly
Figure 108 (Sheet 8)

25-71-02



BOEING
COMPONENT
MAINTENANCE MANUAL

WIRE NUMBER	GA	TYP	FROM EQUIPMENT			TO EQUIPMENT			WIRE INFO						
			NUMBER	TER M	TT	WD REF	NUMBER	TERM	TT	EMC/ SEP	FT	NOTE	EFFECTIVITY		
196	24	PK	SM00039		W	31-51-21	D04347J	21				N2	1		
197	24	PK	D00815	45		31-51-21	SM00039			W		N2	1		
198	24	PK	D00815	46		31-51-21	D04347J	6				N2	2		
199	20	PA	GDX0004	..	2	31-51-31	D04597J	14				N2	2		
201B	24	PW	D01489	43		31-51-33	SM00004			W		N2	1		
201R	24	PW	D01489	9		31-51-33	SM00003			W		N2			
201Z			D01489	ED		31-51-33	SM00003	REF				N2			
204	20	UA	D04507J			27-32-11	GDX0004	S..		2		N2	2		
204B	24	PW	D00823	18		27-32-11	D04507J	12				N2	1		
204R	24	PW	D00823	16		27-32-11	D04507J	11				N2			
204Z			D04507J			27-32-11	D00823	DED				N2			
205B	24	PW	D00815	19		31-51-21	SM00007			W		N2	1		
205R	24	PW	D00815	52		31-51-21	SM00006			W		N2			
205Z			D00815	ED		31-51-21	SM00006	REF				N2			
207	20	UA	D04597J			31-51-21	GDX0004	S..		2		N2	2		
207B	24	PW	SM00007		W	31-51-21	D04597J	4				N2	1		
207R	24	PW	SM00006		W	31-51-21	D04597J	3				N2			
207Z			SM00006	EF		31-51-21	D04597J					N2			
208	20	UA	D04301J			34-16-11	GDX0002	S..		2		N2	2		
208B	24	PW	D00821	36		34-16-11	D04301J	9				N2	2		
208R	24	PW	D00821	2		34-16-11	D04301J	8				N2			
208Z			D00821	ED		34-16-11	D04301J					N2			
209B	24	PW	D01489	46		31-51-33	SM00007			W		N2	1		
209R	24	PW	D01489	12		31-51-33	SM00006			W		N2			
209Z			D01489	ED		31-51-33	SM00006	REF				N2			
212B	24	PW	D01433	36		31-51-42	SM00007			W		N2	1		
212R	24	PW	D01433	2		31-51-42	SM00006			W		N2			
212Z			D01433	ED		31-51-42	SM00006	REF				N2			
213	20	UA	D04507J			34-16-11	GDX0004	S..		2		N2	2		
213B	24	PW	D00821	35		34-16-11	D04507J	8				N2	2		
213R	24	PW	D00821	1		34-16-11	D04507J	9				N2			
213Z			D00821	ED		34-16-11	D04507J					N2			

286T0045-305
Wire Bundle Assembly
Figure 108 (Sheet 9)

25-71-02

WIRE		FROM EQUIPMENT		TO EQUIPMENT		WIRE INFO						
NUMBER	GA	TYP	NUMBER	TER	WD REF	NUMBER	TERM	TT	EMC / SEP	FT	NOTE	EFFECTIVITY
				M								
214	20	UA	D04349J			34-16-11	GDX0004	S..	2	N2	2	
214B	24	PW	D00821	37		34-16-11	D04349J	19		N2	2	
214R	24	PW	D00821	3		34-16-11	D04349J	18		N2		
214Z			D00821	ED		34-16-11	D04349J			N2		
215B	24	PL	D01487	24		31-51-31	D04597J	12		N2	2	
215R	24	PL	D01487	23		31-51-31	D04597J	13		N2		
216B	24	PL	D00817	24		31-51-32	D04303J	12		N2	2	
216R	24	PL	D00817	23		31-51-32	D04303J	11		N2		
221B	24	PW	D01489	45		31-51-33	SM00004		W	N2	1	
221R	24	PW	D01489	11		31-51-33	SM00003		W	N2		
221Z			D01489	ED		31-51-33	SM00003	REF		N2		
223B	24	PW	D00821	38		34-16-11	SM00004		W	N2	1	
223R	24	PW	D00821	4		34-16-11	SM00003		W	N2		
223Z			D00821	ED		34-16-11	SM00003	REF		N2		
224	20	UA	D04349J			27-32-21	GDX0004	S..	2	N2	2	
224B	24	PW	D04349J	28		27-32-21	D01381	18		N2	2	
224R	24	PW	D04349J	27		27-32-21	D01381	16		N2		
224Z			D04349J			27-32-21	D01381	DED		N2		
225B	22	PR	D00811	69		31-51-11	SM00060		W	N2	2	
225R	22	PR	D00811	68		31-51-11	SM00060		W	N2		
225Z			D00811	ED		31-51-11	SM00028	REF		N2		
226B	22	PR	D00813	69		31-51-12	SM00061		W	N2	2	
226R	22	PR	D00813	68		31-51-12	SM00061		W	N2		
226Z			D00813	ED		31-51-12	SM00030	REF		N2		
230	20	UA	D04347J			31-51-33	GDX0003	S..	2	N2	2	
230B	24	PW	D04347J	18		31-51-33	SM00004		W	N2	1	
230R	24	PW	D04347J	17		31-51-33	SM00003		W	N2		
230Z			D04347J			31-51-33	SM00003	REF		N2		
236	20	UA	D04347J			27-32-11	GDX0001	S..	2	N2	2	
236B	24	PW	D04347J	37		27-32-11	D00823	54		N2	2	
236R	24	PW	D04347J	36		27-32-11	D00823	23		N2		
236Z			D04347J			27-32-11	D00823	DED		N2		

286T0045-305
Wire Bundle Assembly
Figure 108 (Sheet 10)

25-71-02



BOEING
COMPONENT
MAINTENANCE MANUAL

WIRE		FROM EQUIPMENT		TO EQUIPMENT		WIRE INFO						
NUMBER	GA	TYP	NUMBER	TER M	WD REF	NUMBER	TERM	TT	EMC/ SEP	FT	NOTE	EFFECTIVITY
237B	24	PW	D04347J	40	27-32-11	D00823	13		N2	2		
237R	24	PW	D04347J	39	27-32-11	D00823	12		N2			
237Z			D04347J		27-32-11	D00823	DED		N2			
238	20	UA	D04349J		27-32-21	GDX0001	S..	2	N2	2		
238B	24	PW	D04349J	49	27-32-21	D01381	54		N2	2		
238R	24	PW	D04349J	48	27-32-21	D01381	23		N2			
238Z			D04349J		27-32-21	D01381	DED		N2			
239B	24	PW	D01381	20	27-32-21	D04349J	55		N2	2		
239R	24	PW	D01381	19	27-32-21	D04349J	54		N2			
239Z			D01381	ED	27-32-21	D04349J			N2			
240B	24	PL	D04347J	23	31-51-31	SM00080		W	N2	1		
240R	24	PL	D04347J	22	31-51-31	SM00042		W	N2			
241B	24	PL	D01487	60	31-51-31	SM00080		W	N2	1		
241R	24	PL	D01487	28	31-51-31	SM00042		W	N2			
242B	24	PL	D00817	60	31-51-32	SM00080		W	N2	1		
242R	24	PL	D00817	28	31-51-32	SM00042		W	N2			
243B	24	PW	D04349J	52	27-32-21	D01381	13		N2	2		
243R	24	PW	D04349J	51	27-32-21	D01381	12		N2			
243Z			D04349J		27-32-21	D01381	DED		N2			
245B	24	PW	D00823	20	27-32-11	D04347J	48		N2	2		
245R	24	PW	D00823	19	27-32-11	D04347J	47		N2			
245Z			D00823	ED	27-32-11	D04347J			N2			
247	20	UA	D04349J		31-41-35	GDX0006	S..	2	N2	2		
247B	24	PW	D02261	42	31-41-35	D04349J	57		N2	2		
247R	24	PW	D02261	43	31-41-35	D04349J	56		N2			
247Z			D02261	ED	31-41-35	D04349J			N2			
248	20	UA	D04349J		28-41-11	GDX0006	S..	2	N2	2		
248B	24	PW	D02261	5	28-41-11	D04349J	60		N2	2		
248R	24	PW	D02261	8	28-41-11	D04349J	59		N2			
248Z			D02261	ED	28-41-11	D04349J			N2			
271B	24	PL	D04597J	5	31-51-31	SM00088		W	N2	1		
271R	24	PL	D04597J	2	31-51-31	SM00087		W	N2			

286T0045-305
Wire Bundle Assembly
Figure 108 (Sheet 11)

25-71-02

WIRE		FROM EQUIPMENT		TO EQUIPMENT		WIRE INFO							
NUMBER	GA	TYP	NUMBER	TER M	TT	WD REF	NUMBER	TERM	TT	EMC/ SEP	FT	NOTE	EFFECTIVITY
272B	24	PL	D01487	63		31-51-31	SM00088		W	N2	1		
272R	24	PL	D01487	62		31-51-31	SM00087		W	N2			
273B	24	PL	D00817	63		31-51-32	SM00088		W	N2	1		
273R	24	PL	D00817	62		31-51-32	SM00087		W	N2			
289	24	PK	D01489	21		31-51-33	D04509J	5		N2	2		
290B	24	PW	D04597J	8		34-43-15	SM00104		W	N2	1		
290R	24	PW	D04597J	7		34-43-15	SM00103		W	N2			
290Z			D04597J	9		34-43-15	SM00103	REF		N2			
291B	24	PW	D04303J	4		34-43-15	SM00104		W	N2	1		
291R	24	PW	D04303J	3		34-43-15	SM00103		W	N2			
291Z			D04303J	5		34-43-15	SM00103	REF		N2			
292B	24	PW	D04347J	53		34-43-15	SM00104		W	N2	1		
292R	24	PW	D04347J	51		34-43-15	SM00103		W	N2			
292Z			D04347J	61		34-43-15	SM00103	REF		N2			
301	20	UA	SM00028	EF		31-51-11	GDX0005	S..	2	N2	1		
301B	22	PS	D00811	57		31-51-11	SM00028		W	N2	2		
301R	22	PS	D00811	38		31-51-11	SM00028		W	N2			
301Y	22	PS	D00811	58		31-51-11	SM00028		W	N2			
301Z			D00811	ED		31-51-11	SM00028	REF		N2			
302B	22	PS	D00811	42		31-51-11	SM00029		W	N2	2		
302R	22	PS	D00811	41		31-51-11	SM00029		W	N2			
302Y	22	PS	D00811	43		31-51-11	SM00029		W	N2			
302Z			D00811	ED		31-51-11	SM00028	REF		N2			
303B	22	PS	D00811	8		31-51-11	SM00026		W	N2	2		
303R	22	PS	D00811	7		31-51-11	SM00026		W	N2			
303Y	22	PS	D00811	9		31-51-11	SM00026		W	N2			
303Z			D00811	ED		31-51-11	SM00028	REF		N2			
304B	22	PS	D00811	25		31-51-11	SM00027		W	N2	2		
304R	22	PS	D00811	24		31-51-11	SM00027		W	N2			
304Y	22	PS	D00811	37		31-51-11	SM00027		W	N2			
304Z			D00811	ED		31-51-11	SM00028	REF		N2			
305	20	UA	SM00030	EF		31-51-12	GDX0005	S..	2	N2	1		

286T0045-305
Wire Bundle Assembly
Figure 108 (Sheet 12)

25-71-02



BOEING
COMPONENT
MAINTENANCE MANUAL

WIRE		FROM EQUIPMENT			TO EQUIPMENT			WIRE INFO					
NUMBER	GA	TYP	NUMBER	TER M	TT	WD REF	NUMBER	TERM	TT	EMC / SEP	FT	NOTE	EFFECTIVITY
305B	22	PS	D00813	8		31-51-12	SM00030		W	N2	2		
305R	22	PS	D00813	7		31-51-12	SM00030		W	N2			
305Y	22	PS	D00813	9		31-51-12	SM00030		W	N2			
305Z			D00813	ED		31-51-12	SM00030	REF		N2			
306B	22	PS	D00813	25		31-51-12	SM00031		W	N2	2		
306R	22	PS	D00813	24		31-51-12	SM00031		W	N2			
306Y	22	PS	D00813	37		31-51-12	SM00031		W	N2			
306Z			D00813	ED		31-51-12	SM00030	REF		N2			
307B	22	PS	D00813	57		31-51-12	SM00032		W	N2	2		
307R	22	PS	D00813	38		31-51-12	SM00032		W	N2			
307Y	22	PS	D00813	58		31-51-12	SM00032		W	N2			
307Z			D00813	ED		31-51-12	SM00030	REF		N2			
308B	22	PS	D00813	42		31-51-12	SM00033		W	N2	2		
308R	22	PS	D00813	41		31-51-12	SM00033		W	N2			
308Y	22	PS	D00813	43		31-51-12	SM00033		W	N2			
308Z			D00813	ED		31-51-12	SM00030	REF		N2			
512	24	PK	D02261	20		27-81-31	D04349J	8		N2	2		
601	20	PA	SM00060		W	31-51-11	GDX0004	D..	2	N2			
602	20	PA	SM00061		W	31-51-12	GDX0005	D..	2	N2			
603	24	PV	D04301J	5		31-51-12	M01103	INE	D	N2	1		
603Z			D04301J	ED		31-51-12	M01103			N2			
604	24	PV	D04301J	4		31-51-12	D00813	4		N2	3		
604Z			D04301J	ED		31-51-12	D00813			N2			
605	24	PV	D00813	1		31-51-12	M01103	OAD	D	N2	3		
605Z			D00813			31-51-12	M01103	DED		N2			
606	24	PV	D04349J	32		31-51-11	M01102	INE	D	N2	1		
606Z			D04349J	ED		31-51-11	M01102			N2			
607	24	PV	D04349J	33		31-51-11	D00811	4		N2	3		
607Z			D04349J	ED		31-51-11	D00811			N2			
608	24	PV	D00811	1		31-51-11	M01102	OAD	D	N2	3		
608Z			D00811			31-51-11	M01102	DED		N2			
610	24	PK	D00823	37		27-32-11	SM00050		W	N2	1		

286T0045-305
Wire Bundle Assembly
Figure 108 (Sheet 13)

25-71-02

TESTING & TROUBLE SHOOTING
01 Page 144C
Nov 01/02

WIRE NUMBER	GA	TYP	FROM EQUIPMENT		TO EQUIPMENT		WIRE INFO							
			NUMBER	TER M	TT	WD REF	NUMBER	TERM	TT	EMC/ SEP	FT	NOTE	EFFECTIVITY	
611	24	PK	D01433	6		31-51-42	D04347J	20				2		
612	24	PK	D01433	4		31-51-42	SM00050		W			1		
613	24	PK	D04349J	30		31-51-31	SM00065		W			1		
614	24	PK	D01487	52		31-51-31	SM00065		W			1		
615	24	PK	D00817	52		31-51-32	SM00065		W			1		
617	24	PK	D01381	11		27-32-12	D00823	56				1		
618	24	PK	D01381	56		27-32-12	D00823	11				1		
619	24	PK	D00823	45		27-32-12	SM00082		W			1		
620	24	PK	D04349J	29		31-51-21	SM00071		W			1		
621	24	PK	D00815	7		31-51-21	SM00071		W			1		
622	24	PK	D01489	2		31-51-33	SM00071		W			1		
623	24	PK	D01489	36		31-51-33	SM00038		W			1		
624	24	PK	D00815	8		31-51-21	SM00045		W			1		
625	24	PK	D01487	9		31-51-31	SM00034		W			1		
631	24	PK	D00817	9		31-51-32	SM00034		W			1		
644	22	PQ	D00823	66		27-32-31	D04347J	42				2		
644Z			D00823	ED		27-32-31	D04347J	DED						
646	22	PQ	D01381	66		27-32-31	D04349J	42				2		
646Z			D01381	ED		27-32-31	D04349J	DED						
681	24	PK	D01433	10		31-51-43	D04507J	10				2		
682	24	PK	D01433	13		31-51-43	D04347J	46				2		
683	22	PA	D01433	41		31-51-43	SM00081		W			1		
684	20	PA	GDX0001	..	2	31-51-43	D04349J	47				2		
685	24	PK	D00823	58		27-32-12	D01505	A1				2		
686	24	PK	D00823	8		27-32-11	SM00038		W			1		
687	24	PK	D00823	64		27-32-11	SM00081		W			1		
688	24	PK	D01381	58		27-32-22	D01503	A1				2		
689	24	PK	D01381	45		27-32-22	SM00085		W			1		
692	24	PK	D01381	8		27-32-21	SM00038		W			1		
693	24	PK	D04347J	30		31-51-21	D00815	6				2		
694	22	PA	D04349J	46		31-51-43	SM00081		W			1		
696	20	PA	GDX0003	..	2	27-32-12	SM00082		W			1		

286T0045-305
Wire Bundle Assembly
Figure 108 (Sheet 14)

25-71-02



BOEING
COMPONENT
MAINTENANCE MANUAL

WIRE		FROM EQUIPMENT			TO EQUIPMENT			WIRE INFO					
NUMBER	GA	TYP	NUMBER	TER M	TT	WD REF	NUMBER	TERM	TT	EMC/ SEP	FT	NOTE	EFFECTIVITY
697	20	PA	GDX0003	..	2	27-32-22	SM00085		W	N2	1		
701	24	PK	D00815	49		31-51-21	D00815	22		N2			
702	24	PK	D00815	16		31-51-21	D00815	48		N2			
703	24	PK	D00819	6		31-51-41	SM00019		W	N2	1		
704	24	PK	SM00075		W	31-51-41	D04511J	14		N2	1		
705	24	PK	D00819	45		31-51-41	D04511J	12		N2	2		
706	24	PK	D00819	10		31-51-41	D04349J	31		N2	2		
707	24	PK	D00819	21		31-51-41	D04509J	4		N2	2		
708	24	PK	D00819	9		31-51-41	D04349J	7		N2	2		
709	24	PK	D00819	39		31-51-41	SM00044		W	N2	1		
710	24	PK	D00819	43		31-51-41	SM00037		W	N2	1		
711	24	PK	D00819	12		31-51-41	D04349J	21		N2	2		
712	24	PK	D00819	53		31-51-41	D04349J	3		N2	2		
713	24	PK	D00819	20		31-51-41	D04347J	9		N2	2		
714	24	PK	D00819	44		31-51-41	D04349J	24		N2	2		
715	24	PK	D04507J	6		31-51-42	SM00019		W	N2	1		
716	24	PK	D01433	34		31-51-42	SM00019		W	N2	1		
717	24	PK	D01433	37		31-51-42	SM00034		W	N2	1		
718	24	PK	D01433	39		31-51-42	D04509J	2		N2	2		
720	24	PK	D01433	52		31-51-42	SM00040		W	N2	1		
721	24	PK	D01433	38		31-51-42	D04347J	24		N2	2		
722	24	PK	D01433	5		31-51-42	D04349J	22		N2	2		
723	24	PK	D04511J	11		31-51-42	SM00038		W	N2	1		
724	24	PK	D01433	40		31-51-42	SM00038		W	N2	1		
725	24	PK	D01433	3		31-51-42	D04347J	13		N2	2		
726	22	PA	D04347J	14		31-51-21	SM00036		W	N2	1		
727	22	PA	D04301J	11		31-51-21	SM00035		W	N2	1		
728	24	PK	D04347J	1		31-51-41	D00819	35		N2	2		
729	24	PK	D04347J	2		31-51-41	D00819	1		N2	2		
730	24	PK	D04347J	3		31-51-41	D00819	36		N2	2		
731	24	PK	D04347J	4		31-51-41	D00819	2		N2	2		
732	24	PK	D04347J	5		31-51-42	D01433	20		N2	2		

286T0045-305
Wire Bundle Assembly
Figure 108 (Sheet 15)

25-71-02

WIRE			FROM EQUIPMENT			TO EQUIPMENT			WIRE INFO				
NUMBER	GA	TYP	NUMBER	TER M	TT	WD REF	NUMBER	TERM	TT	EMC/ SEP	FT	NOTE	EFFECTIVITY
733	24	PK	D04347J	16		34-16-11	D00821	65		N2	2		
734	24	PK	D04347J	8		31-51-31	SM00046		W	N2	1		
735	24	PK	D04507J	7		34-16-11	D00821	34		N2	2		
736	24	PK	D04507J	2		34-16-11	D00821	66		N2	2		
737	24	PK	SM00041		W	34-16-11	D00821	31		N2	1		
738	24	PK	D04347J	19		34-16-11	D00821	7		N2	2		
739	24	PK	SM00075		W	34-16-11	D00821	6		N2	1		
740	24	PK	SM00038		W	34-16-11	D00821	40		N2	1		
741	24	PK	D00821	18		34-16-11	D00821	22		N2			
742	24	PK	D00821	50		34-16-11	D00821	48		N2			
746	24	PK	D04597J	10		31-51-31	SM00043		W	N2	1		
747	24	PK	D01487	46		31-51-31	SM00043		W	N2	1		
748	24	PK	D04347J	7		31-51-31	SM00045		W	N2	1		
749	24	PK	D01487	10		31-51-31	SM00045		W	N2	1		
750	24	PK	D01487	19		31-51-31	SM00046		W	N2	1		
751	24	PK	D01487	13		31-51-31	SM00040		W	N2	1		
752	24	PK	D01487	47		31-51-31	SM00044		W	N2	1		
753	24	PK	D01487	51		31-51-31	SM00041		W	N2	1		
755	24	PV	D01487	1		31-51-31	SM00035		W	N2	1		
755Z			D01487	ED		31-51-31	SM00035	DED		N2			
756	24	PK	D01487	50		31-51-31	SM00036		W	N2	1		
757	24	PK	D01487	49		31-51-31	SM00039		W	N2	1		
758	24	PK	D01487	22		31-51-31	D01489	23		N2	2		
759	24	PK	D01487	55		31-51-31	D01489	47		N2	2		
760	24	PK	D01487	34		31-51-31	D01489	51		N2	2		
761	24	PK	D01487	66		31-51-31	D01489	57		N2	2		
762	24	PK	D00817	10		31-51-32	SM00045		W	N2	1		
763	24	PK	D00817	46		31-51-32	SM00043		W	N2	1		
764	24	PV	D00817	1		31-51-32	SM00035		W	N2	1		
764Z			D00817	ED		31-51-32	SM00035	DED		N2			
765	24	PK	D00817	50		31-51-32	SM00036		W	N2	1		
766	24	PV	D00817	49		31-51-32	SM00053		W	N2	1		

286T0045-305
Wire Bundle Assembly
Figure 108 (Sheet 16)

25-71-02



BOEING
COMPONENT
MAINTENANCE MANUAL

WIRE			FROM EQUIPMENT			TO EQUIPMENT			WIRE INFO				
NUMBER	GA	TYP	NUMBER	TER	TT	WD REF	NUMBER	TERM	TT	EMC/SEP	FT	NOTE	EFFECTIVITY
				M									
766Z													
767	24	PK	D00817	ED		31-51-32	SM00053	DED		N2			
768	24	PK	D00817	19		31-51-32	SM00046		W	N2	1		
769	24	PK	D00817	13		31-51-32	SM00040		W	N2	1		
770	24	PK	D00817	47		31-51-32	SM00044		W	N2	1		
772	24	PK	D00817	51		31-51-32	SM00041		W	N2	1		
773	24	PK	D00817	22		31-51-32	D01489	54		N2	2		
774	24	PK	D00817	55		31-51-32	D01489	13		N2	2		
775	24	PK	D00817	34		31-51-32	D01489	25		N2	2		
776	24	PK	D00817	66		31-51-32	D01489	58		N2	2		
777	24	PK	D01489	42		31-51-33	D04347J	15		N2	2		
779	24	PK	D01489	8		31-51-33	D04349J	13		N2	2		
780	24	PK	D01489	35		31-51-33	D04349J	40		N2	2		
781	24	PK	D01489	53		31-51-33	D04349J	2		N2	2		
782	24	PK	D01489	31		31-51-33	D01489	48		N2			
783	24	PK	D01489	18		31-51-33	D01489	22		N2			
784	24	PK	D01489	38		31-51-33	SM00008		W	N2	1		
785	24	PK	D01489	4		31-51-33	SM00011		W	N2	1		
786	24	PK	D01489	37		31-51-33	SM00012		W	N2	1		
787	24	PK	D01489	3		31-51-33	SM00010		W	N2	1		
788	24	PK	D01489	1		31-51-33	SM00009		W	N2	1		
789	24	PK	D01489	6		31-51-33	SM00034		W	N2	1		
791	24	PK	D01489	41		31-51-33	D04509J	11		N2	2		
792	24	PK	D01489	7		31-51-33	D04509J	10		N2	2		
793	24	PK	D00819	40		31-51-33	D04509J	9		N2	2		
794	20	PA	D04303J	11		31-51-41	SM00075		W	N2	1		
795	24	PK	D01433	10		31-51-32	GDX0004	S..	2	N2	2		
796	24	PK	D01433	9		31-51-42	D01433	48		N2			
797	24	PV	D00815	22		31-51-42	D01433	50		N2			
797Z	24	PV	D00815	41		31-51-21	SM00053		W	N2	1		
798	24	PV	D04349J	ED		31-51-21	SM00053	DED		N2			
798Z			D04349J	9		31-51-21	SM00053	DED	W	N2	1		
				ED		31-51-21	SM00053	DED		N2			

286T0045-305
Wire Bundle Assembly
Figure 108 (Sheet 17)

25-71-02

WIRE		FROM EQUIPMENT		TO EQUIPMENT		WIRE INFO						
NUMBER	GA	TYP	NUMBER	TER M	WD REF	NUMBER	TERM	TT	EMC/SEP	FT	NOTE	EFFECTIVITY
817	24	PK	D00823	55	27-32-12	D11553	6		N2	2		
818	24	PK	D00823	21	27-32-12	D11553	4		N2	2		
819	24	PK	D00823	51	27-32-12	D11553	3		N2	2		
820	24	PK	D00823	50	27-32-12	D11553	2		N2	2		
821	24	PK	D00823	49	27-32-12	D11553	7		N2	2		
822	24	PK	D00823	47	27-32-12	D11553	8		N2	2		
823	24	PK	D00823	46	27-32-12	D11553	9		N2	2		
824	24	PK	D00823	53	27-32-12	D11553	5		N2	2		
825	24	PK	D00823	62	27-32-12	D11553	24		N2	2		
826	24	PK	D01381	55	27-32-22	D11553	16		N2	2		
827	24	PK	D01381	21	27-32-22	D11553	14		N2	2		
828	24	PK	D01381	51	27-32-22	D11553	13		N2	2		
829	24	PK	D01381	50	27-32-22	D11553	12		N2	2		
830	24	PK	D01381	49	27-32-22	D11553	17		N2	2		
831	24	PK	D01381	47	27-32-22	D11553	18		N2	2		
832	24	PK	D01381	46	27-32-22	D11553	19		N2	2		
833	24	PK	D01381	53	27-32-22	D11553	15		N2	2		
834	24	PK	D01381	62	27-32-22	D11553	34		N2	2		
835	24	PK	D04349J	50	27-32-21	D01381	64		N2	2		
836	20	PA	D04349J	53	27-32-21	GDX0002	S..	2	N2	2		
837	24	PK	D00823	42	27-32-12	SM00082		W	N2	1		
838	24	PK	D01381	42	27-32-22	SM00085		W	N2	1		
842	24	PK	D01381	6	27-32-22	SM00085		W	N2	1		
843	24	PK	D00823	6	27-32-12	SM00082		W	N2	1		
862	22	PA	D02261	30	31-41-35	GDX0006	S..	2	N2	1		
863	22	PA	D02261	32	31-41-35	GDX0006	S..	2	N2	1		
864	22	PA	D02261	33	31-41-35	GDX0006	S..	2	N2	1		
865	22	PA	D02261	64	31-41-35	GDX0006	S..	2	N2	1		
866	24	PV	D02261	27	31-51-11	SM00018		W	N2	1		
866Z			D02261	ED	31-51-11	SM00018	REF		N2			
867	24	PV	D02261	28	31-51-11	SM00047		W	N2	1		
867Z			D02261	ED	31-51-11	SM00047	REF		N2			

286T0045-305
Wire Bundle Assembly
Figure 108 (Sheet 18)

25-71-02



BOEING
COMPONENT
MAINTENANCE MANUAL

WIRE		FROM EQUIPMENT			TO EQUIPMENT			WIRE INFO					
NUMBER	GA	TYP	NUMBER	TER	TT	WD REF	NUMBER	TERM	TT	EMC/SEP	FT	NOTE	EFFECTIVITY
				M									
868	24	PV	D02261	29		31-51-12	SM00054		W	N2	1		
868Z			D02261	ED		31-51-12	SM00054	REF		N2			
869	24	PK	D02261	34		31-51-12	SM00025		W	N2	1		
870	22	PA	D02261	56		31-51-12	GDX0001	S..	2	N2	2		
871	22	PA	D02261	57		31-51-12	GDX0003	S..	2	N2	2		
872	22	PA	D02261	59		31-51-11	GDX0005	S..	2	N2	1		
873	24	PV	D02261	60		31-51-12	SM00055		W	N2	1		
873Z			D02261	ED		31-51-12	SM00055	REF		N2			
874	24	PV	D02261	62		31-51-11	SM00049		W	N2	1		
874Z			D02261	ED		31-51-11	SM00049	REF		N2			
875	24	PV	D02261	63		31-51-12	SM00056		W	N2	1		
875Z			D02261	ED		31-51-12	SM00056	REF		N2			
876	24	PK	D02261	65		31-51-11	SM00022		W	N2	1		
877	24	PV	D00811	14		31-51-11	SM00018		W	N2	2		
877Z			D00811	ED		31-51-11	SM00018	REF		N2			
878	24	PV	D00811	48		31-51-11	SM00047		W	N2	2		
878Z			D00811	ED		31-51-11	SM00047	REF		N2			
879	24	PV	D00811	23		31-51-11	SM00049		W	N2	2		
879Z			D00811	ED		31-51-11	SM00049	REF		N2			
880	24	PV	D00813	14		31-51-12	SM00054		W	N2	2		
880Z			D00813	ED		31-51-12	SM00054	REF		N2			
881	24	PV	D00813	48		31-51-12	SM00055		W	N2	2		
881Z			D00813	ED		31-51-12	SM00055	REF		N2			
882	24	PV	D00813	23		31-51-12	SM00056		W	N2	2		
882Z			D00813	ED		31-51-12	SM00056	REF		N2			
883	22	PA	D02261	15		38-32-11	D04349J	26		N2	2		
884	22	PA	D02261	47		38-32-11	D04347J	27		N2	2		
885	24	PK	D04303J	9		31-51-21	SM00057		W	N2	1		
886	24	PK	D04507J	3		31-51-21	SM00058		W	N2	1		
887	24	PK	D04507J	1		31-51-21	SM00058		W	N2	1		
888	24	PK	SM00057		W	31-51-21	D04349J	44		N2	1		
862	22	PA	D02261	30		31-41-35	GDX0006	30		N2			

286T0045-305
Wire Bundle Assembly
Figure 108 (Sheet 19)

25-71-02

TESTING & TROUBLE SHOOTING
01 Page 144I
Nov 01/02

WIRE		FROM EQUIPMENT		TO EQUIPMENT		WIRE INFO							
NUMBER	GA	TYP	NUMBER	TER M	TT	WD REF	NUMBER	TERM	TT	EMC/ SEP	FT	NOTE	EFFECTIVITY
863	22	PA	D02261	32		31-41-35	GDX0006	32		N2			
864	22	PA	D02261	33		31-41-35	GDX0006	33		N2			
865	22	PA	D02261	64		31-41-35	GDX0006	64		N2			
866	24	PV	D02261	27		31-51-11	SM00018	27		N2			
866Z			D02261	DED		31-51-11	SM00018	DED		N2			
867	24	PV	D02261	28		31-51-11	SM00047	28		N2			
867Z			D02261	DED		31-51-11	SM00047	DED		N2			
868	24	PV	D02261	29		31-51-12	SM00054	29		N2			
868Z			D02261	DED		31-51-12	SM00054	DED		N2			
869	24	PK	D02261	34		31-51-12	SM00025	34		N2			
870	22	PA	D02261	56		31-51-12	GDX0001	56		N2			
871	22	PA	D02261	57		31-51-12	GDX0003	57		N2			
872	22	PA	D02261	59		31-51-11	GDX0005	59		N2			
873	24	PV	D02261	60		31-51-12	SM00055	60		N2			
873Z			D02261	DED		31-51-12	SM00055	DED		N2			
874	24	PV	D02261	62		31-51-11	SM00049	62		N2			
874Z			D02261	DED		31-51-11	SM00049	DED		N2			
875	24	PV	D02261	63		31-51-12	SM00056	63		N2			
875Z			D02261	DED		31-51-12	SM00056	DED		N2			
876	24	PK	D02261	65		31-51-11	SM00022	65		N2			
877	24	PV	D00811	14		31-51-11	SM00018	14		N2			
877Z			D00811	DED		31-51-11	SM00018	DED		N2			
878	24	PV	D00811	48		31-51-11	SM00047	48		N2			
878Z			D00811	DED		31-51-11	SM00047	DED		N2			
879	24	PV	D00811	23		31-51-11	SM00049	23		N2			
879Z			D00811	DED		31-51-11	SM00049	DED		N2			
880	24	PV	D00813	14		31-51-12	SM00054	14		N2			
880Z			D00813	DED		31-51-12	SM00054	DED		N2			
881	24	PV	D00813	48		31-51-12	SM00055	48		N2			
881Z			D00813	DED		31-51-12	SM00055	DED		N2			
882	24	PV	D00813	23		31-51-12	SM00056	23		N2			
882Z			D00813	DED		31-51-12	SM00056	DED		N2			

286T0045-305
Wire Bundle Assembly
Figure 108 (Sheet 20)

25-71-02

BOEING
 COMPONENT
 MAINTENANCE MANUAL

WIRE		FROM EQUIPMENT			TO EQUIPMENT			WIRE INFO					
NUMBER	GA	TYP	NUMBER	TER M	TT	WD REF	NUMBER	TERM	TT	EMC / SEP	FT	NOTE	EFFECTIVITY
883	22	PA	D02261	15		38-32-11	D04349J	15		N2			
884	22	PA	D02261	47		38-32-11	D04347J	47		N2			
885	24	PK	D04303J	9		31-51-21	SM00057	9		N2			
886	24	PK	D04507J	3		31-51-21	SM00058	3		N2			
887	24	PK	D04507J	1		31-51-21	SM00058	1		N2			
888	24	PK	SM00057		W	31-51-21	D04349J		W	N2			

286T0045-305
 Wire Bundle Assembly
 Figure 108 (Sheet 21)

25-71-02

WIRE		FROM EQUIPMENT			TO EQUIPMENT			WIRE INFO					
NUMBER	GA	TYP	NUMBER	TERM	TT	WD REF	NUMBER	TERM	TT	EMC/S EP	NOTE	FT	EFFECTIVITY
FRA			M01103			31-51-12	M01103	GND	D	N2			
FRB			D00813			31-51-12	D00813	59		N2			
FRC			M01102			31-51-11	M01102	GND	D	N2			
FRD			D00811	REF		31-51-11	D00811	59		N2			
FRG			D04349J	58		31-41-35	D04349J	REF		N2			
FRH			D04349J	61		28-41-11	D04349J	REF		N2			
PA1			D00815	47		99-99-99	D00815	63		N2			
PA2			D00817	8		99-99-99	D00817	57		N2	DAW-B2		
PA3			D00819	41		99-99-99	D00819	55		N2	DAW-B2		
PA4			D00821	43		99-99-99	D00821	60		N2	DAW-B2		
PA5			D00823	52		99-99-99	D00823	65		N2	DAW-B2		
PA6			D01433	44		99-99-99	D01433	61		N2	DAW-B2		
PA7			D01381	52		99-99-99	D01381	65		N2	DAW-B2		
PA8			D01487	8		99-99-99	D01487	57		N2	DAW-B2		
PA9			D01489	56		99-99-99	D01489	65		N2	DAW-B2		
PB4			D02261	54		99-99-99	D02261	61		N2	DAW-B2		
P01		SE	D11553							N2			
P01		SE	D11553							N2			
1	22	PA	D00811	60		31-51-11	GDX0001	S..	2	N2		3	VS486-VS486
2	22	PA	D00821	14		31-51-11	GDX0002	D..	2	N2		2	VS487-VS495
3	24	PV	D00811	26		31-51-11	D00821	27		N2		3	
003Z			D00811	DED		31-51-11	D00821	REF		N2			
4	24	PV	D00811	49		31-51-11	D00821	32		N2		3	
004Z			D00811	DED		31-51-11	D00821	REF		N2			
5	24	PV	D00811	35		31-51-11	D00821	17		N2		3	
005Z			D00811	DED		31-51-11	D00821	REF		N2			
6	24	PK	SM00022		W	31-51-11	D00821	51		N2		1	
7	24	PK	D00811	65		31-51-11	SM00022		W	N2		2	
8	24	PK	D00819	37		31-51-11	SM00022		W	N2		1	
9	24	PV	D00819	27		31-51-11	D00811	13		N2		3	
009Z			D00811	DED		31-51-11	D00819	REF		N2			
01A	24	PK	D04349J	43		31-51-33	D01489	49		N2		2	VS487-VS495

286T0045-306
Wire Bundle Assembly
Figure 109 (Sheet 1)

25-71-02



BOEING
COMPONENT
MAINTENANCE MANUAL

WIRE		FROM EQUIPMENT			TO EQUIPMENT			WIRE INFO					
NUMBER	GA	TYP	NUMBER	TERM	TT	WD REF	NUMBER	TERM	TT	EMC/S EP	NOTE	FT	EFFECTIVITY
10	22	PA	D00819	14		31-51-11	GDX0001	D..	2	N2		2	
11	24	PK	D01433	51		31-51-11	SM00022		W	N2		1	
12	24	PV	SM00018		W	31-51-11	D01433	27		N2		1	
012Z			SM00018	REF		31-51-11	D01433	REF		N2			
13	24	PV	SM00047		W	31-51-11	D01433	32		N2		1	
013Z			SM00047	REF		31-51-11	D01433	REF		N2			
14	24	PV	SM00049		W	31-51-11	D01433	17		N2		1	
014Z			SM00049	REF		31-51-11	D01433	REF		N2			
15	22	PA	D01433	14		31-51-11	GDX0001	D..	2	N2		2	
16	20	PA	SM00028		W	31-51-11	GDX0005	D..	2	N2		2	
17	20	PA	GDX0002	S..	2	31-51-11	D00821	REF		N2		2	
18	20	PA	GDX0005	S..	2	31-51-11	D00819	REF		N2		2	
19	20	PA	D01433	REF		31-51-11	GDX0002	S..	2	N2		2	
20	20	PA	GDX0005	D..	2	31-51-11	SM00029		W	N2		2	
21	20	PA	GDX0002	S..	2	31-51-11	D01503	REF		N2		2	
23	20	PA	D00815	REF		31-51-11	GDX0002	S..	2	N2		2	
24	24	PK	D04349J	38		31-51-11	SM00005		W	N2		1	
25	24	PK	D01503	A2		31-51-11	SM00005		W	N2		1	
26	20	PA	D01503	A3		31-51-11	GDX0003	D..	2	N2		2	
27	22	PQ	D01503	X2		31-51-11	D00811	75		N2		4	
027Z			D00811	DED		31-51-11	D01503	REF		N2			
28	24	PV	D01503	X1		31-51-11	SM00015		W	N2		1	
028Z			SM00015	REF		31-51-11	D01503	REF		N2			
29	24	PV	D00811	46		31-51-11	SM00015		W	N2		2	
029Z			SM00015	REF		31-51-11	D00811	DED		N2			
30	24	PK	SM00015		W	31-51-11	D11553	35		N2		1	
32	20	PA	D11553	11		31-51-11	GDX0003	D..	2	N2		2	
33	24	PK	D11553	37		31-51-11	D00811	34		N2		4	
34	24	PK	D11553	36		31-51-11	D00811	33		N2		4	
35	22	PA	D00815	14		31-51-11	GDX0001	D..	2	N2		2	
36	24	PV	D00815	27		31-51-11	D00811	12		N2		3	
036Z			D00811	DED		31-51-11	D00815	REF		N2			

286T0045-306
Wire Bundle Assembly
Figure 109 (Sheet 2)

25-71-02

WIRE		FROM EQUIPMENT			TO EQUIPMENT			WIRE INFO						
NUMBER	GA	TYP	NUMBER	TERM	TT	WD	REF	NUMBER	TERM	TT	EMC/S EP	NOTE	FT	EFFECTIVITY
37	24	PV	D00815	32		31-51-11		D00811	17		N2		3	
037Z			D00811	DED		31-51-11		D00815	REF		N2			
38	24	PV	D00815	17		31-51-11		D00811	22		N2		3	
038Z			D00811	DED		31-51-11		D00815	REF		N2			
39	24	PK	D00815	54		31-51-11		SM00020		W	N2		1	
40	24	PK	D00811	63		31-51-11		SM00020		W	N2		2	
41	24	PK	D00823	35		31-51-11		SM00020		W	N2		1	
42	24	PK	D01381	35		31-51-11		SM00020		W	N2		1	
45	22	PA	D01381	14		31-51-11		GDX0001	D..	2	N2		2	
46	22	PA	D01381	48		31-51-11		GDX0003	D..	2	N2		2	
47	24	PV	D01381	27		31-51-11		D00811	11		N2		3	
047Z			D00811	DED		31-51-11		D01381	REF		N2			
48	24	PV	D01381	32		31-51-11		D00811	16		N2		3	
048Z			D00811	DED		31-51-11		D01381	REF		N2			
49	24	PV	D01381	17		31-51-11		D00811	21		N2		3	
049Z			D00811	DED		31-51-11		D01381	REF		N2			
52	22	PA	D00823	14		31-51-11		GDX0001	D..	2	N2		2	
53	22	PA	D00823	48		31-51-11		GDX0003	D..	2	N2		2	
54	24	PV	D00823	27		31-51-11		D00811	10		N2		3	
054Z			D00811	DED		31-51-11		D00823	REF		N2			
55	24	PV	D00823	32		31-51-11		D00811	15		N2		3	
055Z			D00811	DED		31-51-11		D00823	REF		N2			
56	24	PV	D00823	17		31-51-11		D00811	20		N2		3	
056Z			D00811	DED		31-51-11		D00823	REF		N2			
57	22	PA	D00817	14		31-51-11		GDX0002	D..	2	N2		2	
58	24	PV	D00817	27		31-51-11		D00811	51		N2		3	
058Z			D00811	DED		31-51-11		D00817	REF		N2			
59	24	PV	D00817	32		31-51-11		D00811	74		N2		3	
059Z			D00811	DED		31-51-11		D00817	REF		N2			
60	24	PK	D00817	45		31-51-11		SM00021		W	N2		1	
61	24	PK	D00811	64		31-51-11		SM00021		W	N2		2	
62	24	PK	D01489	16		31-51-11		SM00021		W	N2		1	

286T0045-306
Wire Bundle Assembly
Figure 109 (Sheet 3)

25-71-02



BOEING
COMPONENT
MAINTENANCE MANUAL

WIRES		FROM EQUIPMENT		TO EQUIPMENT		WIRE INFO							
NUMBER	GA	TYP	NUMBER	TERM	TT	WD REF	NUMBER	TERM	TT	EMC/S EP	NOTE	FT	EFFECTIVITY
63	24	PK	D01487	45		31-51-11	SM00021		W	N2		1	
64	24	PV	D01487	27		31-51-11	D00811	47		N2		3	
064Z	24	PV	D00811	DED		31-51-11	D01487	REF		N2		3	
65	24	PV	D01487	32		31-51-11	D00811	70		N2		3	
065Z	24	PV	D00811	DED		31-51-11	D01487	REF		N2		2	
66	22	PA	D01487	14		31-51-11	GDX0003	D..	2	N2		3	
67	24	PV	D01489	27		31-51-11	D00811	45		N2		3	
067Z	24	PV	D00811	DED		31-51-11	D01489	REF		N2		3	
68	24	PV	D01489	32		31-51-11	D00811	50		N2		3	
068Z	24	PV	D00811	DED		31-51-11	D01489	REF		N2		3	
69	24	PV	D01489	17		31-51-11	D00811	36		N2		3	
069Z	24	PV	D00811	DED		31-51-11	D01489	REF		N2		2	
70	22	PA	D01489	14		31-51-11	GDX0003	D..	2	N2		2	
71	20	PA	D01381	REF		31-51-11	GDX0002	S..	2	N2		2	
72	20	PA	D00823	REF		31-51-11	GDX0002	S..	2	N2		2	
73	20	PA	D00817	REF		31-51-11	GDX0002	S..	2	N2		2	
74	20	PA	SM00026			31-51-11	GDX0005	D..	2	N2		2	
75	20	PA	D01487	REF		31-51-11	GDX0005	S..	2	N2		2	
76	20	PA	GDX0005	S..		31-51-11	D01489	REF		N2		2	
77	24	PK	D02261	40		31-41-35	D04349J	1		N2		2	
78	20	PA	SM00027			31-51-11	GDX0005	D..	2	N2		2	
79	22	PA	D00813	60		31-51-12	GDX0003	S..	2	N2		3	
80	22	PA	D00821	15		31-51-12	GDX0002	D..	2	N2		2	
81	24	PV	D00821	30		31-51-12	D00813	26		N2		3	
081Z	24	PV	D00813	DED		31-51-12	D00821	REF		N2		3	
82	24	PV	D00821	33		31-51-12	D00813	49		N2		3	
082Z	24	PV	D00813	DED		31-51-12	D00821	REF		N2		3	
83	24	PV	D00821	24		31-51-12	D00813	35		N2		3	
083Z	24	PV	D00813	DED		31-51-12	D00821	REF		N2		1	
84	24	PK	D00821	19		31-51-12	SM00025		W	N2		2	
85	24	PK	D00813	65		31-51-12	SM00025		W	N2		2	
86	24	PK	D00819	3		31-51-12	SM00025		W	N2		1	

286T0045-306
Wire Bundle Assembly
Figure 109 (Sheet 4)

25-71-02

WIRE		FROM EQUIPMENT			TO EQUIPMENT			WIRE INFO					
NUMBER	GA	TYP	NUMBER	TERM	TT	WD REF	NUMBER	TERM	TT	EMC/S EP	NOTE	FT	EFFECTIVITY
87	24	PK	D01433	18		31-51-12	SM00025		W	N2		1	
88	22	PA	D01433	15		31-51-12	GDX0002	D..	2	N2		2	
89	24	PV	D01433	30		31-51-12	SM00054	REF	W	N2		1	
089Z			SM00054	REF		31-51-12	D01433	REF	W	N2		1	
90	24	PV	D01433	33		31-51-12	SM00055	REF	W	N2		1	
090Z			SM00055	REF		31-51-12	D01433	REF	W	N2		1	
91	24	PV	D01433	24		31-51-12	SM00056	REF	W	N2		1	
091Z			SM00056	REF		31-51-12	D01433	REF	W	N2		1	
92	22	PA	D00819	15		31-51-12	GDX0002	D..	2	N2		2	
93	24	PV	D00819	30		31-51-12	D00813	13		N2		3	
093Z			D00813	DED		31-51-12	D00819	REF		N2		3	
94	20	PA	SM00032		W	31-51-12	GDX0005	D..	2	N2		3	
95	24	PV	D01505	X2		31-51-12	D00813	75		N2		3	
095Z			D00813	DED		31-51-12	D01505	REF		N2		3	
96	24	PV	D01505	X1		31-51-12	SM00016	REF	W	N2		1	
096Z			SM00016	REF		31-51-12	D01505	REF	W	N2		1	
97	24	PV	D00813	46		31-51-12	SM00016	REF	W	N2		2	
097Z			SM00016	REF		31-51-12	D00813	DED		N2		2	
98	20	PA	SM00033		W	31-51-12	GDX0005	D..	2	N2		1	
99	24	PK	SM00016		W	31-51-12	D11553	25		N2		2	
10A	24	PK	D04349J	23		31-51-33	D01489	21		N2		2	
100	20	PA	D11553	1		31-51-12	GDX0003	D..	2	N2		2	
101	20	PA	D00821	REF		31-51-12	GDX0004	S..	2	N2		2	
102	20	PA	D00819	REF		31-51-12	GDX0004	S..	2	N2		2	
103	20	PA	D01433	REF		31-51-12	GDX0004	S..	2	N2		2	
104	20	PA	D01505	REF		31-51-12	GDX0005	S..	2	N2		2	
106	20	PA	D00815	REF		31-51-12	GDX0004	S..	2	N2		2	
107	20	PA	D01381	REF		31-51-12	GDX0004	S..	2	N2		2	
109	20	PA	D00817	REF		31-51-12	GDX0004	S..	2	N2		2	
110	20	PA	D01487	REF		31-51-12	GDX0001	S..	2	N2		2	
111	20	PA	D01489	REF		31-51-12	GDX0001	S..	2	N2		2	
112	22	PA	D00815	15		31-51-12	GDX0001	D..	2	N2		1	

286T0045-306
Wire Bundle Assembly
Figure 109 (Sheet 5)

25-71-02



BOEING
COMPONENT
MAINTENANCE MANUAL

WIRE NUMBER	WIRE		FROM EQUIPMENT		TO EQUIPMENT		WIRE INFO			
	GA	TYP	NUMBER	TERM	WD REF	NUMBER	TERM	TT	EMC/S EP	FT EFFECTIVITY
113	24	PK	D01505	A2	31-51-12	SM00005		W	N2	2
114	20	PA	D01505	A3	31-51-12	GDX0003	D..	2	N2	2
115	24	PK	D02261	21	21-61-51	D04347J	25		N2	1
116	24	PK	D00815	21	31-51-12	SM00023		W	N2	2
117	24	PK	D00813	63	31-51-12	SM00023		W	N2	1
118	24	PK	D00823	1	31-51-12	SM00023		W	N2	1
119	24	PK	D01381	1	31-51-12	SM00023		W	N2	2
120	22	PA	D01381	15	31-51-12	GDX0001	D..	2	N2	1
121	24	PK	D00817	56	31-51-12	SM00024		W	N2	2
122	24	PK	D00813	64	31-51-12	SM00024		W	N2	1
123	24	PK	D01487	56	31-51-12	SM00024		W	N2	2
124	22	PA	D00823	15	31-51-12	GDX0001	D..	2	N2	2
125	20	PA	D00823	REF	31-51-12	GDX0004	S..	2	N2	3
126	24	PV	D00823	33	31-51-12	D00813	15		N2	3
126Z			D00823	REF	31-51-12	D00813	DED		N2	
127	24	PV	D00823	24	31-51-12	D00813	20		N2	2
127Z			D00823	REF	31-51-12	D00813	DED		N2	
128	22	PA	D00817	15	31-51-12	GDX0002		2	N2	3
129	24	PV	D00817	30	31-51-12	D00813			N2	3
129Z			D00817	REF	31-51-12	D00813	DED		N2	
130	24	PV	D00817	33	31-51-12	D00813	74		N2	3
130Z			D00817	REF	31-51-12	D00813	DED		N2	
131	24	PV	D00813	11	31-51-12	D01381	30		N2	3
131Z			D01381	REF	31-51-12	D00813	DED		N2	
132	24	PV	D00813	16	31-51-12	D01381	33		N2	3
132Z			D01381	REF	31-51-12	D00813	DED		N2	
133	24	PV	D01381	24	31-51-12	D00813	21		N2	1
133Z			D01381	REF	31-51-12	D00813	DED		N2	
134	24	PK	D01489	50	31-51-12	SM00024		W	N2	3
135	24	PV	D01487	30	31-51-12	D00813	47		N2	3
135Z			D01487	REF	31-51-12	D00813	DED		N2	
136	24	PV	D01487	33	31-51-12	D00813	70		N2	3

286T0045-306
Wire Bundle Assembly
Figure 109 (Sheet 6)

25-71-02

WIRE			FROM EQUIPMENT			TO EQUIPMENT			WIRE INFO				
NUMBER	GA	TYP	NUMBER	TERM	TT	WD REF	NUMBER	TERM	TT	EMC/S EP	NOTE	FT	EFFECTIVITY
136Z			D01487	REF		31-51-12	D00813	DED		N2		2	
137	22	PA	D01487	15		31-51-12	GDX0003	D..	2	N2		3	
138	24	PV	D01489	30		31-51-12	D00813	45		N2		3	
138Z			D01489	REF		31-51-12	D00813	DED		N2		3	
139	24	PV	D01489	33		31-51-12	D00813	50		N2		3	
139Z			D01489	REF		31-51-12	D00813	DED		N2		3	
140	24	PV	D01489	24		31-51-12	D00813	36		N2		2	
140Z			D01489	REF		31-51-12	D00813	DED		N2		3	
141	22	PA	D01489	15		31-51-12	GDX0003	D..	2	N2		3	
142	24	PK	D00813	33		31-51-12	D11553	26		N2		3	
143	24	PK	D11553	27		31-51-12	D00813	34		N2		3	
144	24	PV	D00813	12		31-51-12	D00815	30		N2		3	
144Z			D00813	DED		31-51-12	D00815	REF		N2		3	
145	20	PA	SM00030		W	31-51-12	GDX0005	D..	2	N2		3	
146	24	PV	D00813	17		31-51-12	D00815	33		N2		3	
146Z			D00813	DED		31-51-12	D00815	REF		N2		3	
147	24	PV	D00813	22		31-51-12	D00815	24		N2		3	
147Z			D00813	DED		31-51-12	D00815	REF		N2		3	
148	24	PV	D00813	10		31-51-12	D00823	30		N2		3	
148Z			D00813	DED		31-51-12	D00823	REF		N2		3	
149	20	PA	SM00031		W	31-51-12	GDX0005	D..	2	N2		2	
150	22	PA	D04301J	6		27-32-11	D00823	34		N2		2	
151	24	PK	D04509J	1		27-32-11	D00823	39		N2		2	
152	24	PK	D04347J	26		27-32-11	D00823	40		N2		2	
153	24	PK	D00823	31		27-32-11	D04509J	6		N2		2	
154	20	PA	D04509J	7		27-32-11	GDX0001	D..	2	N2		1	
155	24	PK	SM00037		W	27-32-11	D04511J	3		N2		2	
156	24	PK	D00823	38		27-32-11	D04511J	2		N2		1	
157	24	PK	D04511J	4		27-32-11	SM00050		W	N2		1	
158	24	PK	SM00037		W	27-32-11	D00823	4		N2		1	
159	24	PK	D04349J	14		27-32-11	D00823	36		N2		1	
160	24	PK	D04349J	15		27-32-11	D00823	3		N2		1	

286T0045-306
Wire Bundle Assembly
Figure 109 (Sheet 7)

25-71-02



BOEING
COMPONENT
MAINTENANCE MANUAL

WIRE NUMBER	WIRE		FROM EQUIPMENT		TO EQUIPMENT		WIRE INFO						
	GA	TYP	NUMBER	TERM	TT	WD REF	NUMBER	TERM	TT	EMC/S EP	NOTE	FT	EFFECTIVITY
161	24	PK	D04349J	16		27-32-11	D00823	43		N2		1	
162	24	PK	D04349J	10		27-32-11	D00823	2		N2		2	
165	22	PA	D04349J	11		27-32-21	D01381	34		N2		2	
166	24	PK	D01381	40		27-32-21	D04349J	6		N2		2	
167	24	PK	D01381	31		27-32-21	D04511J	7		N2		2	
168	20	PA	GDX0002	D..	2	27-32-21	D04511J	8		N2		2	
169	24	PK	D04349J	34		27-32-21	D01381	36		N2		2	
170	24	PK	D04349J	35		27-32-21	D01381	3		N2		2	
171	24	PK	D04349J	36		27-32-21	D01381	43		N2		2	
172	24	PK	D04349J	37		27-32-21	D01381	2		N2		2	
173	24	PK	D04511J	13		27-32-21	D01381	4		N2		2	
174	24	PK	D04511J	16		27-32-21	D01381	37		N2		2	
175	24	PK	D04511J	15		27-32-21	D01381	38		N2		2	
176	24	PK	D04509J	8		27-32-21	D01381	39		N2		1	
177	24	PK	D00815	34		31-51-21	SM00057		W	N2		2	
178	24	PK	D00815	43		31-51-21	D01433	19		N2		2	
179	24	PK	D00815	10		31-51-21	D00819	5		N2		1	
180	24	PK	D04507J	5		31-51-21	SM00034		W	N2		1	
181	24	PK	SM00058		W	31-51-21	D00815	66		N2		1	
182	24	PK	D00815	4		31-51-21	SM00034		W	N2		2	
183	24	PK	D00815	11		31-51-21	D04349J	39		N2		1	
184	22	PA	D00815	37		31-51-21	SM00035		W	N2		1	
185	22	PA	D00815	42		31-51-21	SM00036		W	N2		1	
186	24	PK	D04349J	5		31-51-21	SM00012		W	N2		1	
187	24	PK	D00815	2		31-51-21	SM00012		W	N2		1	
188	24	PK	SM00011		W	31-51-21	D04349J	4		N2		1	
189	24	PK	SM00011		W	31-51-21	D00815	35		N2		1	
190	24	PK	D04349J	12		31-51-21	SM00009		W	N2		1	
191	24	PK	D00815	44		31-51-21	SM00009		W	N2		1	
192	24	PK	D04347J	10		31-51-21	SM00008		W	N2		1	
193	24	PK	D00815	1		31-51-21	SM00008		W	N2		1	
194	24	PK	D04347J	11		31-51-21	SM00010		W	N2		1	

286T0045-306
Wire Bundle Assembly
Figure 109 (Sheet 8)

25-71-02

TESTING & TROUBLE SHOOTING

01

Page 144S

Nov 01/02

WIRE NUMBER	WIRE		FROM EQUIPMENT			TO EQUIPMENT			WIRE INFO				
	GA	TYP	NUMBER	TERM	TT	WD REF	NUMBER	TERM	TT	EMC/S EP	NOTE	FT	EFFECTIVITY
195	24	PK	D00815	36		31-51-21	SM00010		W	N2		1	
196	24	PK	SM00039		W	31-51-21	D04347J	21		N2		1	
197	24	PK	D00815	45		31-51-21	SM00039		W	N2		2	
198	24	PK	D00815	46		31-51-21	D04347J	6		N2		2	
199	20	PA	GDX0004	S..	2	31-51-31	D04597J	14		N2		1	
201B	24	PW	D01489	43		31-51-33	SM00004		W	N2			
201R	24	PW	D01489	9		31-51-33	SM00003		W	N2			
201Z	20	PA	D01489	DED		31-51-33	SM00003	REF	2	N2		2	
204	24	PW	D04507J	REF		27-32-11	GDX0004	S..		N2		1	
204B	24	PW	D00823	18		27-32-11	D04507J	12		N2			
204R	24	PW	D00823	16		27-32-11	D04507J	11		N2			
204Z	24	PW	D04507J	REF		27-32-11	D00823	DED		N2		1	
205B	24	PW	D00815	19		31-51-21	SM00007		W	N2			
205R	24	PW	D00815	52		31-51-21	SM00006		W	N2			
205Z	20	PA	D00815	DED		31-51-21	SM00006	REF	2	N2		2	
207	24	PA	D04597J	REF		31-51-21	GDX0004	S..		N2		1	
207B	24	PW	SM00007		W	31-51-21	D04597J	4		N2			
207R	24	PW	SM00006		W	31-51-21	D04597J	3		N2			
207Z	20	PA	SM00006	REF		31-51-21	D04597J	REF	2	N2		2	
208	24	PA	D04301J	REF		34-16-11	GDX0002	S..		N2		2	
208B	24	PW	D00821	36		34-16-11	D04301J	9		N2			
208R	24	PW	D00821	2		34-16-11	D04301J	8		N2			
208Z	24	PW	D00821	DED		34-16-11	D04301J	REF		N2		1	
209B	24	PW	D01489	46		31-51-33	SM00007		W	N2			
209R	24	PW	D01489	12		31-51-33	SM00006		W	N2			
209Z	24	PW	D01489	DED		31-51-33	SM00006	REF		N2		1	
212B	24	PW	D01433	36		31-51-42	SM00007		W	N2			
212R	24	PW	D01433	2		31-51-42	SM00006		W	N2			
212Z	20	PA	D01433	DED		31-51-42	SM00006	REF	2	N2		2	
213	24	PA	D04507J	REF		34-16-11	GDX0004	S..		N2			
213B	24	PW	D00821	35		34-16-11	D04507J	8		N2		2	
213R	24	PW	D00821	1		34-16-11	D04507J	9		N2			

286T0045-306
Wire Bundle Assembly
Figure 109 (Sheet 9)

25-71-02



BOEING
COMPONENT
MAINTENANCE MANUAL

WIRE			FROM EQUIPMENT			TO EQUIPMENT			WIRE INFO				
NUMBER	GA	TYP	NUMBER	TERM	TT	WD REF	NUMBER	TERM	TT	EMC/S EP	NOTE	FT	EFFECTIVITY
213Z			D00821	DED		34-16-11	D04507J	REF		N2		2	
214	20	UA	D04349J			34-16-11	GDX0004	S..	2	N2		2	
214B	24	PW	D00821	37		34-16-11	D04349J	19		N2			
214R	24	PW	D00821	3		34-16-11	D04349J	18		N2			
214Z			D00821	DED		34-16-11	D04349J			N2		2	
215B	24	PL	D01487	24		31-51-31	D04597J	12		N2			
215R	24	PL	D01487	23		31-51-31	D04597J	13		N2		2	
216B	24	PL	D00817	24		31-51-32	D04303J	12		N2			
216R	24	PL	D00817	23		31-51-32	D04303J	11		N2		1	
221B	24	PW	D01489	45		31-51-33	SM00004		W	N2			
221R	24	PW	D01489	11		31-51-33	SM00003		W	N2			
221Z			D01489	DED		31-51-33	SM00003	REF		N2		1	
223B	24	PW	D00821	38		34-16-11	SM00004		W	N2			
223R	24	PW	D00821	4		34-16-11	SM00003		W	N2			
223Z			D00821	DED		34-16-11	SM00003	REF		N2		2	
224	20	UA	D04349J	REF		27-32-21	GDX0004	S..	2	N2		2	
224B	24	PW	D04349J	28		27-32-21	D01381	18		N2			
224R	24	PW	D04349J	27		27-32-21	D01381	16		N2			
224Z			D04349J	REF		27-32-21	D01381	DED		N2		2	
225B	22	PR	D00811	69		31-51-11	SM00060		W	N2			
225R	22	PR	D00811	68		31-51-11	SM00060		W	N2			
225Z			D00811	DED		31-51-11	SM00028		W	N2		2	
226B	22	PR	D00813	69		31-51-12	SM00061		W	N2			
226R	22	PR	D00813	68		31-51-12	SM00061		W	N2			
226Z			D00813	DED		31-51-12	SM00030		W	N2		2	
230	20	PA	D04347J	REF		31-51-33	GDX0003	S..	2	N2		1	
230B	24	PW	D04347J	18		31-51-33	SM00004		W	N2			
230R	24	PW	D04347J	17		31-51-33	SM00003		W	N2			
230Z			D04347J	REF		31-51-33	SM00003	REF		N2		2	
236	20	PA	D04347J			27-32-11	GDX0003	S..	2	N2		2	
236B	24	PW	D04347J	37		27-32-11	D00823	54		N2			
236R	24	PW	D04347J	36		27-32-11	D00823	23		N2			

286T0045-306
Wire Bundle Assembly
Figure 109 (Sheet 10)

25-71-02

WIRES			FROM EQUIPMENT			TO EQUIPMENT			WIRES INFO			
NUMBER	GA	TYP	NUMBER	TERM	TT	WD REF	NUMBER	TERM	TT	EMC/S EP	FT	EFFECTIVITY
236Z			D04347J			27-32-11	D00823	DED		N2	2	
237B	24	PW	D04347J	40		27-32-11	D00823	13		N2		
237R	24	PW	D04347J	39		27-32-11	D00823	12		N2		
237Z			D04347J			27-32-11	D00823	DED		N2	2	
238	20	PA	D04349J	REF		27-32-21	GDX0004	S..	2	N2		
238B	24	PW	D04349J	49		27-32-21	D01381	54		N2		
238R	24	PW	D04349J	48		27-32-21	D01381	23		N2		
238Z			D04349J	REF		27-32-21	D01381	DED		N2	2	
239B	24	PW	D01381	20		27-32-21	D04349J	55		N2		
239R	24	PW	D01381	19		27-32-21	D04349J	54		N2		
239Z			D01381	DED		27-32-21	D04349J	REF		N2	1	
240B	24	PL	D04347J	23		31-51-31	SM00080		W	N2		
240R	24	PL	D04347J	22		31-51-31	SM00042		W	N2	1	
241B	24	PL	D01487	60		31-51-31	SM00080		W	N2		
241R	24	PL	D01487	28		31-51-31	SM00042		W	N2	1	
242B	24	PL	D00817	60		31-51-32	SM00080		W	N2		
242R	24	PL	D00817	28		31-51-32	SM00042		W	N2	2	
243B	24	PW	D04349J	52		27-32-21	D01381	13		N2		
243R	24	PW	D04349J	51		27-32-21	D01381	12		N2		
243Z			D04349J	REF		27-32-21	D01381	DED		N2	2	
245B	24	PW	D00823	20		27-32-11	D04347J	48		N2		
245R	24	PW	D00823	19		27-32-11	D04347J	47		N2		
245Z			D00823	DED		27-32-11	D04347J			N2	2	
247	20	PA	D04349J	REF		31-41-35	GDX0006	S..	2	N2		
247B	24	PW	D02261	42		31-41-35	D04349J	57		N2		
247R	24	PW	D02261	43		31-41-35	D04349J	56		N2		
247Z			D02261	DED		31-41-35	D04349J	REF		N2	2	
248	20	PA	D04349J	REF		28-41-11	GDX0006	S..	2	N2		
248B	24	PW	D02261	5		28-41-11	D04349J	60		N2		
248R	24	PW	D02261	8		28-41-11	D04349J	59		N2		
248Z			D02261	DED		28-41-11	D04349J	REF		N2	1	
271B	24	PL	D04597J	5		31-51-31	SM00088		W	N2		

286T0045-306
Wire Bundle Assembly
Figure 109 (Sheet 11)

25-71-02



BOEING
COMPONENT
MAINTENANCE MANUAL

WIRE NUMBER	WIRE		FROM EQUIPMENT		TO EQUIPMENT		WIRE INFO						
	GA	TYP	NUMBER	TERM	TT	WD REF	NUMBER	TERM	TT	EMC/S EP	NOTE	FT	EFFECTIVITY
271R	24	PL	D04597J	2		31-51-31	SM00087		W			1	
272B	24	PL	D01487	63		31-51-31	SM00088		W			1	
272R	24	PL	D01487	62		31-51-31	SM00087		W			1	
273B	24	PL	D00817	63		31-51-32	SM00088		W			2	
273R	24	PL	D00817	62		31-51-32	SM00087		W			1	
290B	24	PW	D04597J	8		34-43-15	SM00104		W			1	
290R	24	PW	D04597J	7		34-43-15	SM00103		W			1	
290Z			D04597J	9		34-43-15	SM00103	REF	W			1	
291B	24	PW	D04303J	4		34-43-15	SM00104		W			1	
291R	24	PW	D04303J	3		34-43-15	SM00103		W			1	
291Z			D04303J	5		34-43-15	SM00103	REF	W			1	
292B	24	PW	D04347J	53		34-43-15	SM00104		W			1	
292R	24	PW	D04347J	51		34-43-15	SM00103		W			1	
292Z			D04347J	61		34-43-15	SM00103	REF	W			1	
301	20	PA	SM00028	REF		31-51-11	GDX0005	S..	2			1	
301B	22	PS	D00811	57		31-51-11	SM00028		W			2	
301R	22	PS	D00811	38		31-51-11	SM00028		W			1	
301Y	22	PS	D00811	58		31-51-11	SM00028		W			1	
301Z			D00811	DED		31-51-11	SM00028	REF	W			2	
302B	22	PS	D00811	42		31-51-11	SM00029		W			1	
302R	22	PS	D00811	41		31-51-11	SM00029		W			1	
302Y	22	PS	D00811	43		31-51-11	SM00029		W			1	
302Z			D00811	DED		31-51-11	SM00028	REF	W			2	
303B	22	PS	D00811	8		31-51-11	SM00026		W			2	
303R	22	PS	D00811	7		31-51-11	SM00026		W			2	
303Y	22	PS	D00811	9		31-51-11	SM00026		W			2	
303Z			D00811	DED		31-51-11	SM00028	REF	W			2	
304B	22	PS	D00811	25		31-51-11	SM00027		W			2	
304R	22	PS	D00811	24		31-51-11	SM00027		W			2	
304Y	22	PS	D00811	37		31-51-11	SM00027		W			2	
304Z			D00811	DED		31-51-11	SM00028	REF	W			1	
305	20	UA	SM00030	REF		31-51-12	GDX0005	S..	2			1	

286T0045-306
Wire Bundle Assembly
Figure 109 (Sheet 12)

25-71-02

WIRE NUMBER	WIRE		FROM EQUIPMENT			TO EQUIPMENT			WIRE INFO				
	GA	TYP	NUMBER	TERM	TT	WD REF	NUMBER	TERM	TT	EMC/S EP	NOTE	FT	EFFECTIVITY
305B	22	PS	D00813	8		31-51-12	SM00030		W	N2		2	
305R	22	PS	D00813	7		31-51-12	SM00030		W	N2			
305Y	22	PS	D00813	9		31-51-12	SM00030		W	N2			
305Z	22	PS	D00813	DED		31-51-12	SM00030	REF	W	N2		2	
306B	22	PS	D00813	25		31-51-12	SM00031		W	N2			
306R	22	PS	D00813	24		31-51-12	SM00031		W	N2			
306Y	22	PS	D00813	37		31-51-12	SM00031		W	N2			
306Z	22	PS	D00813	DED		31-51-12	SM00030	REF	W	N2		2	
307B	22	PS	D00813	57		31-51-12	SM00032		W	N2			
307R	22	PS	D00813	38		31-51-12	SM00032		W	N2			
307Y	22	PS	D00813	58		31-51-12	SM00032		W	N2			
307Z	22	PS	D00813	DED		31-51-12	SM00030	REF	W	N2		2	
308B	22	PS	D00813	42		31-51-12	SM00033		W	N2			
308R	22	PS	D00813	41		31-51-12	SM00033		W	N2			
308Y	22	PS	D00813	43		31-51-12	SM00033		W	N2			
308Z	22	PS	D00813	DED		31-51-12	SM00030	REF	W	N2		2	
512	24	PK	D02261	20	W	27-81-31	D04349J	8	2	N2		2	
601	20	PA	SM00060		W	31-51-11	GDX0004	D..	2	N2			
602	20	PA	SM00061			31-51-12	GDX0005	D..	2	N2			
603	24	PV	D04301J	5		31-51-12	M01103	INE	D	N2		1	
603Z	24	PV	D04301J	DED		31-51-12	M01103			N2			
604	24	PV	D04301J	4		31-51-12	D00813	4		N2		3	
604Z	24	PV	D04301J	DED		31-51-12	D00813			N2			
605	24	PV	D00813	1		31-51-12	M01103	OAD	D	N2		3	
605Z	24	PV	D00813	DED		31-51-12	M01103	DED		N2			
606	24	PV	D04349J	32		31-51-11	M01102	INE	D	N2		1	
606Z	24	PV	D04349J	DED		31-51-11	M01102			N2			
607	24	PV	D04349J	33		31-51-11	D00811	4		N2		3	
607Z	24	PV	D04349J	DED		31-51-11	D00811	REF		N2			
608	24	PV	D00811	1		31-51-11	M01102	OAD	D	N2		3	
608Z	24	PV	D00811	REF		31-51-11	M01102	DED		N2			
610	24	PK	D00823	37		27-32-11	SM00050		W	N2		1	

286T0045-306
Wire Bundle Assembly
Figure 109 (Sheet 13)

25-71-02



BOEING
COMPONENT
MAINTENANCE MANUAL

WIRE		FROM EQUIPMENT			TO EQUIPMENT			WIRE INFO					
NUMBER	GA	TYP	NUMBER	TERM	TT	WD REF	NUMBER	TERM	TT	EMC/S EP	NOTE	FT	EFFECTIVITY
611	24	PK	D01433	6		31-51-42	D04347J	20		N2		2	
612	24	PK	D01433	4		31-51-42	SM00050		W	N2		1	
613	24	PK	D04349J	30		31-51-31	SM00065		W	N2		1	
614	24	PK	D01487	52		31-51-31	SM00065		W	N2		1	
615	24	PK	D00817	52		31-51-32	SM00065		W	N2		1	
617	24	PK	D01381	11		27-32-12	D00823	56		N2		1	
618	24	PK	D01381	56		27-32-12	D00823	11		N2		1	
619	24	PK	D00823	45		27-32-12	SM00082		W	N2		1	
620	24	PK	D04349J	29		31-51-21	SM00071		W	N2		1	
621	24	PK	D00815	7		31-51-21	SM00071		W	N2		1	
622	24	PK	D01489	2		31-51-33	SM00071		W	N2		1	
623	24	PK	D01489	36		31-51-33	SM00038		W	N2		1	
624	24	PK	D00815	8		31-51-21	SM00045		W	N2		1	
625	24	PK	D01487	9		31-51-31	SM00034		W	N2		1	
631	24	PK	D00817	9		31-51-32	SM00034		W	N2		2	
644	22	PQ	D00823	66		27-32-31	D04347J	42		N2		2	
644Z			D00823	DED		27-32-31	D04347J	DED		N2		1	
646	22	PQ	D01381	66		27-32-31	D04349J	42		N2		2	
646Z			D01381	DED		27-32-31	D04349J	DED		N2		2	
648	24	PK	D04347J	32		34-16-11	D00821	40		N2		2	
649	24	PK	D04347J	33		34-16-11	SM00038		W	N2		2	
681	24	PK	D01433	10		31-51-43	D04507J	10		N2		2	
682	24	PK	D01433	13		31-51-43	D04347J	46		N2		2	
683	22	PA	D01433	41		31-51-43	SM00081		W	N2		2	
684	20	PA	GDX0001	D..	2	31-51-43	D04349J	47		N2		2	
685	24	PK	D00823	58		27-32-12	D01505	A1		N2		1	
686	24	PK	D00823	8		27-32-11	SM00038		W	N2		2	
687	24	PK	D00823	64		27-32-11	SM00081		W	N2		2	
688	24	PK	D01381	58		27-32-22	D01503	A1		N2		1	
689	24	PK	D01381	45		27-32-22	SM00085		W	N2		1	
692	24	PK	D01381	8		27-32-21	SM00038		W	N2		2	
693	24	PK	D04347J	30		31-51-21	D00815	6		N2		1	

286T0045-306
Wire Bundle Assembly
Figure 109 (Sheet 14)

25-71-02

WIRE		FROM EQUIPMENT			TO EQUIPMENT			WIRE INFO					
NUMBER	GA	TYP	NUMBER	TERM	TT	WD REF	NUMBER	TERM	TT	EMC/S EP	NOTE	FT	EFFECTIVITY
694	22	PA	D04349J	46		31-51-43	SM00081		W	N2		1	
696	20	PA	GDX0003	D..	2	27-32-12	SM00082		W	N2		2	
697	20	PA	GDX0003	D..	2	27-32-22	SM00085		W	N2		1	
701	24	PK	D00815	49		31-51-21	D00815	22		N2		1	
702	24	PK	D00815	16		31-51-21	D00815	48		N2		1	
703	24	PK	D00819	6		31-51-41	SM00019		W	N2			
704	24	PK	SM00075		W	31-51-41	D04511J	14		N2			
705	24	PK	D00819	45		31-51-41	D04511J	12		N2		1	
706	24	PK	D00819	10		31-51-41	D04349J	31		N2		1	
707	24	PK	D00819	21		31-51-41	D04509J	4		N2		2	
708	24	PK	D00819	9		31-51-41	D04349J	7		N2		2	
709	24	PK	D00819	39		31-51-41	SM00044		W	N2		2	
710	24	PK	D00819	43		31-51-41	SM00037		W	N2		2	
711	24	PK	D00819	12		31-51-41	D04349J	21		N2		1	
712	24	PK	D00819	53		31-51-41	D04349J	3		N2		1	
713	24	PK	D00819	20		31-51-41	D04347J	9		N2		2	
714	24	PK	D00819	44		31-51-41	D04349J	24		N2		2	
715	24	PK	D04507J	6		31-51-42	SM00019		W	N2		2	
716	24	PK	D01433	34		31-51-42	SM00019		W	N2		2	
717	24	PK	D01433	37		31-51-42	SM00034		W	N2		2	
718	24	PK	D01433	39		31-51-42	D04509J	2		N2		1	
720	24	PK	D01433	52		31-51-42	SM00040		W	N2		1	
721	24	PK	D01433	38		31-51-42	D04347J	24		N2		1	
722	24	PK	D01433	5		31-51-42	D04349J	22		N2		2	
723	24	PK	D04511J	11		31-51-42	SM00038		W	N2		1	
724	24	PK	D01433	40		31-51-42	SM00038		W	N2		2	
725	24	PK	D01433	3		31-51-42	D04347J	13		N2		2	
726	22	PA	D04347J	14		31-51-21	SM00036		W	N2		1	
727	22	PA	D04301J	11		31-51-21	SM00035		W	N2		2	
728	24	PK	D04347J	1		31-51-41	D00819	35		N2		1	
729	24	PK	D04347J	2		31-51-41	D00819	1		N2		1	
730	24	PK	D04347J	3		31-51-41	D00819	36		N2		2	

286T0045-306
Wire Bundle Assembly
Figure 109 (Sheet 15)

25-71-02



BOEING
COMPONENT
MAINTENANCE MANUAL

WIRE NUMBER	WIRE		FROM EQUIPMENT		TO EQUIPMENT		WIRE INFO						
	GA	TYP	NUMBER	TERM	TT	WD REF	NUMBER	TERM	TT	EMC/S EP	NOTE	FT	EFFECTIVITY
731	24	PK	D04347J	4		31-51-41	D00819	2		N2		2	
732	24	PK	D04347J	5		31-51-42	D01433	20		N2		2	
733	24	PK	D04347J	16		34-16-11	D00821	65		N2		2	
734	24	PK	D04347J	8		31-51-31	SM00046		W	N2		2	
735	24	PK	D04507J	7		34-16-11	D00821	34		N2		2	
736	24	PK	D04507J	2		34-16-11	D00821	66		N2		1	
737	24	PK	SM00041		W	34-16-11	D00821	31		N2		2	
738	24	PK	D04347J	19		34-16-11	D00821	7		N2		2	
739	24	PK	SM00075		W	34-16-11	D00821	6		N2		1	
741	24	PK	D00821	18		34-16-11	D00821	22		N2		2	
742	24	PK	D00821	50		34-16-11	D00821	48		N2		1	
746	24	PK	D04597J	10		31-51-31	SM00043		W	N2		1	
747	24	PK	D01487	46		31-51-31	SM00043		W	N2		1	
748	24	PK	D04347J	7		31-51-31	SM00045		W	N2		1	
749	24	PK	D01487	10		31-51-31	SM00045		W	N2		1	
750	24	PK	D01487	19		31-51-31	SM00046		W	N2		1	
751	24	PK	D01487	13		31-51-31	SM00040		W	N2		1	
752	24	PK	D01487	47		31-51-31	SM00044		W	N2		1	
753	24	PK	D01487	51		31-51-31	SM00041		W	N2		1	
755	24	PV	D01487	1		31-51-31	SM00035		W	N2		1	
755Z			D01487	DED		31-51-31	SM00035	DED		N2		1	
756	24	PK	D01487	50		31-51-31	SM00036		W	N2		1	
757	24	PK	D01487	49		31-51-31	SM00039		W	N2		1	
757	24	PK	D01487	11		31-51-31	SM00039		W	N2		1	
758	24	PK	D01487	22		31-51-31	D01489	23		N2		1	
759	24	PK	D01487	55		31-51-31	D01489	47		N2		1	
760	24	PK	D01487	34		31-51-31	D01489	51		N2		2	
761	24	PK	D01487	66		31-51-31	D01489	57		N2		2	
762	24	PK	D00817	10		31-51-32	SM00045		W	N2		2	
763	24	PK	D00817	46		31-51-32	SM00043		W	N2		2	
764	24	PV	D00817	1		31-51-32	SM00035		W	N2		1	
764Z			D00817	DED		31-51-32	SM00035	DED		N2		1	

VS486-VS486
VS487-VS495

286T0045-306
Wire Bundle Assembly
Figure 109 (Sheet 16)

25-71-02

TESTING & TROUBLE SHOOTING
01 Page 145
Nov 01/02

WIRE NUMBER	WIRE		FROM EQUIPMENT		TO EQUIPMENT		WIRE INFO						
	GA	TYP	NUMBER	TERM	TT	WD REF	NUMBER	TERM	TT	EMC/S EP	NOTE	FT	EFFECTIVITY
765	24	PK	D00817	50		31-51-32	SM00036		W	N2		1	VS486-VS486 VS487-VS495
766	24	PV	D00817	49		31-51-32	SM00053		W	N2			
766	24	PV	D00817	11		31-51-32	SM00053		W	N2			
766Z			D00817	DED		31-51-32	SM00053	DED		N2			
767	24	PK	D00817	19		31-51-32	SM00046		W	N2			
768	24	PK	D00817	13		31-51-32	SM00040		W	N2			
769	24	PK	D00817	47		31-51-32	SM00044		W	N2			
770	24	PK	D00817	51		31-51-32	SM00041		W	N2			
772	24	PK	D00817	22		31-51-32	D01489	54		N2			
773	24	PK	D00817	55		31-51-32	D01489	13		N2			
774	24	PK	D00817	34		31-51-32	D01489	25		N2			
775	24	PK	D00817	66		31-51-32	D01489	58		N2			
776	24	PK	D01489	42		31-51-33	D04347J	15		N2			
777	24	PK	D01489	8		31-51-33	D04349J	13		N2			
779	24	PK	D01489	35		31-51-33	D04349J	40		N2			
780	24	PK	D01489	53		31-51-33	D04349J	2		N2			
781	24	PK	D01489	31		31-51-33	D01489	48		N2			
782	24	PK	D01489	18		31-51-33	D01489	22		N2			
783	24	PK	D01489	38		31-51-33	SM00008		W	N2			
784	24	PK	D01489	4		31-51-33	SM00011		W	N2			
785	24	PK	D01489	37		31-51-33	SM00012		W	N2			
786	24	PK	D01489	3		31-51-33	SM00010		W	N2			
787	24	PK	D01489	1		31-51-33	SM00009		W	N2			
788	24	PK	D01489	6		31-51-33	SM00034		W	N2			
789	24	PK	D01489	41		31-51-33	D04509J	11		N2			
791	24	PK	D01489	7		31-51-33	D04509J	10		N2			
792	24	PK	D01489	40		31-51-33	D04509J	9		N2			
793	24	PK	D00819	11		31-51-41	SM00075		W	N2			
794	20	PA	D04303J	10		31-51-32	GDX0004	S..	2	N2			
795	24	PK	D01433	9		31-51-42	D01433	48		N2			
796	24	PK	D01433	22		31-51-42	D01433	50		N2			
797	24	PV	D00815	41		31-51-21	SM00053		W	N2			

286T0045-306
Wire Bundle Assembly
Figure 109 (Sheet 17)

25-71-02



BOEING
COMPONENT
MAINTENANCE MANUAL

WIRE		FROM EQUIPMENT			TO EQUIPMENT			WIRE INFO					
NUMBER	GA	TYP	NUMBER	TERM	TT	WD REF	NUMBER	TERM	TT	EMC/S EP	NOTE	FT	EFFECTIVITY
797Z													
798	24	PV	D00815	DED		31-51-21	SM00053	DED		N2		1	
798Z			D04349J	9		31-51-21	SM00053		W	N2			
817	24	PK	D00823	DED		31-51-21	SM00053	DED		N2		1	
818	24	PK	D00823	55		27-32-12	D11553	6		N2			
819	24	PK	D00823	21		27-32-12	D11553	4		N2		2	
820	24	PK	D00823	51		27-32-12	D11553	3		N2		2	
821	24	PK	D00823	50		27-32-12	D11553	2		N2		2	
822	24	PK	D00823	49		27-32-12	D11553	7		N2		2	
823	24	PK	D00823	47		27-32-12	D11553	8		N2		2	
824	24	PK	D00823	46		27-32-12	D11553	9		N2		2	
825	24	PK	D00823	53		27-32-12	D11553	5		N2		2	
826	24	PK	D01381	62		27-32-12	D11553	24		N2		2	
827	24	PK	D01381	55		27-32-22	D11553	16		N2		2	
828	24	PK	D01381	21		27-32-22	D11553	14		N2		2	
829	24	PK	D01381	51		27-32-22	D11553	13		N2		2	
830	24	PK	D01381	50		27-32-22	D11553	12		N2		2	
831	24	PK	D01381	49		27-32-22	D11553	17		N2		2	
832	24	PK	D01381	47		27-32-22	D11553	18		N2		2	
833	24	PK	D01381	46		27-32-22	D11553	19		N2		2	
834	24	PK	D01381	53		27-32-22	D11553	15		N2		2	
835	24	PK	D01381	62		27-32-22	D11553	34		N2		2	
836	20	PA	D04349J	50		27-32-21	D01381	64		N2		2	
837	24	PK	D00823	53		27-32-21	GDX0002	S..	2	N2		2	
838	24	PK	D01381	42		27-32-12	SM00082		W	N2		2	
842	24	PK	D01381	42		27-32-22	SM00085		W	N2		1	
843	24	PK	D00823	6		27-32-22	SM00085		W	N2		1	
862	22	PA	D02261	6		27-32-12	SM00082		W	N2		1	
863	22	PA	D02261	30		31-41-35	GDX0006	S..	2	N2		1	
864	22	PA	D02261	32		31-41-35	GDX0006	S..	2	N2		1	
865	22	PA	D02261	33		31-41-35	GDX0006	S..	2	N2		1	
866	24	PV	D02261	64		31-41-35	GDX0006	S..	2	N2		1	
				27		31-51-11	SM00018		W	N2		1	

286T0045-306
Wire Bundle Assembly
Figure 109 (Sheet 18)

25-71-02

WIRE		FROM EQUIPMENT			TO EQUIPMENT			WIRE INFO					
NUMBER	GA	TYP	NUMBER	TERM	TT	WD REF	NUMBER	TERM	TT	EMC/S EP	NOTE	FT	EFFECTIVITY
866Z			D02261	DED		31-51-11	SM00018	REF		N2		1	
867	24	PV	D02261	28		31-51-11	SM00047		W	N2			
867Z			D02261	DED		31-51-11	SM00047	REF		N2		1	
868	24	PV	D02261	29		31-51-12	SM00054		W	N2			
868Z			D02261	DED		31-51-12	SM00054	REF		N2		1	
869	24	PK	D02261	34		31-51-12	SM00025		W	N2			
870	22	PA	D02261	56		31-51-12	GDX0001	S..	2	N2		1	
871	22	PA	D02261	57		31-51-12	GDX0003	S..	2	N2		2	
872	22	PA	D02261	59		31-51-11	GDX0005	S..	2	N2		2	
873	24	PV	D02261	60		31-51-12	SM00055		W	N2		1	
873Z			D02261	DED		31-51-12	SM00055	REF		N2		1	
874	24	PV	D02261	62		31-51-11	SM00049		W	N2			
874Z			D02261	DED		31-51-11	SM00049	REF		N2		1	
875	24	PV	D02261	63		31-51-12	SM00056		W	N2			
875Z			D02261	DED		31-51-12	SM00056	REF		N2		1	
876	24	PK	D02261	65		31-51-11	SM00022		W	N2			
877	24	PV	D00811	14		31-51-11	SM00018		W	N2		1	
877Z			D00811	DED		31-51-11	SM00018	REF		N2		2	
878	24	PV	D00811	48		31-51-11	SM00047		W	N2			
878Z			D00811	DED		31-51-11	SM00047	REF		N2		2	
879	24	PV	D00811	23		31-51-11	SM00049		W	N2			
879Z			D00811	DED		31-51-11	SM00049	REF		N2		2	
880	24	PV	D00813	14		31-51-12	SM00054		W	N2			
880Z			D00813	DED		31-51-12	SM00054	REF		N2		2	
881	24	PV	D00813	48		31-51-12	SM00055		W	N2			
881Z			D00813	DED		31-51-12	SM00055	REF		N2		2	
882	24	PV	D00813	23		31-51-12	SM00056		W	N2			
882Z			D00813	DED		31-51-12	SM00056	REF		N2		2	
883	22	PA	D02261	15		31-51-12	SM00056			N2			
884	22	PA	D02261	47		38-32-11	D04349J	26		N2		2	
885	24	PK	D04303J	9		38-32-11	D04347J	27		N2		2	
886	24	PK	D04507J	3		31-51-21	SM00057		W	N2		2	
						31-51-21	SM00058		W	N2		1	

286T0045-306
Wire Bundle Assembly
Figure 109 (Sheet 19)

25-71-02



BOEING
COMPONENT
MAINTENANCE MANUAL

WIRE NUMBER	WIRE		FROM EQUIPMENT		TO EQUIPMENT		WIRE INFO						
	GA	TYP	NUMBER	TERM	TT	WD REF	NUMBER	TERM	TT	EMC/S EP	NOTE	FT	EFFECTIVITY
887	24	PK	D04507J	1		31-51-21	SM00058		W	N2		1	
888	24	PK	D04349J	44		31-51-21	SM00057		W	N2		1	
865	22	PA	D02261	64		31-41-35	GDX0006	64		N2		1	
866	24	PV	D02261	27		31-51-11	SM00018	27		N2			
866Z			D02261	DED		31-51-11	SM00018	DED		N2			
867	24	PV	D02261	28		31-51-11	SM00047	28		N2			
867Z			D02261	DED		31-51-11	SM00047	DED		N2			
868	24	PV	D02261	29		31-51-12	SM00054	29		N2			
868Z			D02261	DED		31-51-12	SM00054	DED		N2			
869	24	PK	D02261	34		31-51-12	SM00025	34		N2			
870	22	PA	D02261	56		31-51-12	GDX0001	56		N2			
871	22	PA	D02261	57		31-51-12	GDX0003	57		N2			
872	22	PA	D02261	59		31-51-11	GDX0005	59		N2			
873	24	PV	D02261	60		31-51-12	SM00055	60		N2			
873Z			D02261	DED		31-51-12	SM00055	DED		N2			
874	24	PV	D02261	62		31-51-11	SM00049	62		N2			
874Z			D02261	DED		31-51-11	SM00049	DED		N2			
875	24	PV	D02261	63		31-51-12	SM00056	63		N2			
875Z			D02261	DED		31-51-12	SM00056	DED		N2			
876	24	PK	D02261	65		31-51-11	SM00022	65		N2			
877	24	PV	D00811	14		31-51-11	SM00018	14		N2			
877Z			D00811	DED		31-51-11	SM00018	DED		N2			
878	24	PV	D00811	48		31-51-11	SM00047	48		N2			
878Z			D00811	DED		31-51-11	SM00047	DED		N2			
879	24	PV	D00811	23		31-51-11	SM00049	23		N2			
879Z			D00811	DED		31-51-11	SM00049	DED		N2			
880	24	PV	D00813	14		31-51-12	SM00054	14		N2			
880Z			D00813	DED		31-51-12	SM00054	DED		N2			
881	24	PV	D00813	48		31-51-12	SM00055	48		N2			
881Z			D00813	DED		31-51-12	SM00055	DED		N2			
882	24	PV	D00813	23		31-51-12	SM00056	23		N2			
882Z			D00813	DED		31-51-12	SM00056	DED		N2			

286T0045-306
Wire Bundle Assembly
Figure 109 (Sheet 20)

25-71-02

WIRE		FROM EQUIPMENT			TO EQUIPMENT			WIRE INFO					
NUMBER	GA	TYP	NUMBER	TERM	TT	WD REF	NUMBER	TERM	TT	EMC/S EP	NOTE	FT	EFFECTIVITY
883	22	PA	D02261	15		38-32-11	D04349J	15		N2			
884	22	PA	D02261	47		38-32-11	D04347J	47		N2			
885	24	PK	D04303J	9		31-51-21	SM00057	9		N2			
886	24	PK	D04507J	3		31-51-21	SM00058	3		N2			
887	24	PK	D04507J	1		31-51-21	SM00058	1		N2			
888	24	PK	SM00057		W	31-51-21	D04349J		W	N2			

286T0045-306
 Wire Bundle Assembly
 Figure 109 (Sheet 21)

25-71-02

TESTING & TROUBLE SHOOTING
 01 Page 146D
 Nov 01/02



BOEING
COMPONENT
MAINTENANCE MANUAL

WIRE		FROM EQUIPMENT		TO EQUIPMENT		WIRE INFO					
NUMBER	GA TYP	NUMBER	TERM	WD REF	NUMBER	TERM	T/T	EMC/SEP	FT	NOTE	EFFECTIVITY
FRA		M01103		31-51-12	M01103	GND	D	N2			
FRB		D00813		31-51-12	D00813	59		N2			
FRC		D00811		31-51-11	D00811	59		N2			
FRD		D04349J	58	31-41-35	D04349J			N2			
FRG		D04349J	61	28-41-11	D04349J			N2			
FRH		D00815	47	99-99-99	D00815	63		N2		DAW-B2	
PA1		D00817	8	99-99-99	D00817	57		N2		DAW-B2	
PA2		D00819	41	99-99-99	D00819	55		N2		DAW-B2	
PA3		D00821	43	99-99-99	D00821	60		N2		DAW-B2	
PA4		D00823	52	99-99-99	D00823	65		N2		DAW-B2	
PA5		D01433	44	99-99-99	D01433	61		N2		DAW-B2	
PA6		D01381	52	99-99-99	D01381	65		N2		DAW-B2	
PA7		D01487	8	99-99-99	D01487	57		N2		DAW-B2	
PA8		D01489	56	99-99-99	D01489	65		N2		DAW-B2	
PA9		D02261	54	99-99-99	D02261	61		N2		DAW-B2	
PB1		D11553						N2			
PB2		D00811	60	31-51-11	GDX0001	S..	2	N2		UAE-F2	
PB4		D00811	60	31-51-11	GDX0001	S..	2	N2		UAE-F2	
P01	SE	D00821	14	31-51-11	GDX0002	D..	2	N2			
P01	SE	D00811	26	31-51-11	D00821	27		N2			
1	22 PA	D00811	26	31-51-11	D00821	27		N2	3		
2	22 PA	D00811	26	31-51-11	D00821	27		N2	2		
3	24 PV	D00811	DED	31-51-11	D00821	27		N2	1		
003Z		D00811	49	31-51-11	D00821	32		N2			
4	24 PV	D00811	49	31-51-11	D00821	32		N2	1		
004Z		D00811	49	31-51-11	D00821	32		N2			
5	24 PV	D00811	DED	31-51-11	D00821	32		N2	3		
005Z		D00811	35	31-51-11	D00821	17		N2			
6	24 PK	D00811	35	31-51-11	D00821	17		N2	1		
7	24 PK	D00811	35	31-51-11	D00821	17		N2	2		
8	24 PK	D00811	DED	31-51-11	D00821	17		N2	1		
9	24 PV	SM00022		31-51-11	D00821	51		N2	3		

VS506-VS515

286T0045-307
Wire Bundle Assembly
Figure 110 (Sheet 1)

25-71-02

WIRE		FROM EQUIPMENT			TO EQUIPMENT			WIRE INFO					
NUMBER	GA	TYP	NUMBER	TERM	TT	WD REF	NUMBER	TERM	TT	EMC/SEP	FT	NOTE	EFFECTIVITY
009Z			SM00022		W	31-51-11	D00821	51		N2			VS508-VS515
01A	24	PK	D00811	65		31-51-11	SM00022		W	N2	2		
10	22	PA	D00811	65		31-51-11	SM00022		W	N2	2		
11	24	PK	D00811	65		31-51-11	SM00022		W	N2	1		
12	24	PV	D00819	37		31-51-11	SM00022		W	N2	1		
012Z			D00819	37		31-51-11	SM00022		W	N2			
13	24	PV	D00819	27		31-51-11	D00811	13		N2	1		
013Z			D00819	27		31-51-11	D00811	13		N2			
14	24	PV	D00819	27		31-51-11	D00811	13		N2	1		
014Z			D00811	DED		31-51-11	D00819			N2			
15	22	PA	D00819	14		31-51-11	GDX0001	D..	2	N2	2		
16	20	PA	D00819	14		31-51-11	GDX0001	D..	2	N2	2		
17	20	UA	D01433	51		31-51-11	SM00022		W	N2	2		
18	20	UA	D01433	51		31-51-11	SM00022		W	N2	2		
19	20	UA	SM00018		W	31-51-11	D01433	27		N2	2		
20	20	PA	SM00018		W	31-51-11	D01433	27		N2	2		
21	20	UA	SM00018	REF		31-51-11	D01433			N2	2		
23	20	UA	SM00047		W	31-51-11	D01433	32		N2	2		
24	24	PK	SM00047		W	31-51-11	D01433	32		N2	1		
25	24	PK	SM00047	REF		31-51-11	D01433			N2	1		
26	20	PA	SM00049		W	31-51-11	D01433	17		N2	2		
27	22	PQ	SM00049		W	31-51-11	D01433	17		N2	4		
027Z			SM00049	REF		31-51-11	D01433			N2			
28	24	PV	D01433	14		31-51-11	GDX0001	D..	2	N2	1		
028Z			D01433	14		31-51-11	GDX0001	D..	2	N2			
029Z			SM00028		W	31-51-11	GDX0005	D..	2	N2	2		
30	24	PK	GDX0002	S..	2	31-51-11	D00821			N2			
32	20	PA	GDX0002	S..	2	31-51-11	D00821			N2	1		
33	24	PK	GDX0005	S..	2	31-51-11	D00819			N2	2		
34	24	PK	GDX0005	S..	2	31-51-11	D00819			N2	4		
35	22	PA	D01433			31-51-11	GDX0002	S..	2	N2	4		
			D01433			31-51-11	GDX0002	S..	2	N2	2		

286T0045-307
Wire Bundle Assembly
Figure 110 (Sheet 2)

25-71-02



BOEING
COMPONENT
MAINTENANCE MANUAL

WIRES		FROM EQUIPMENT		TO EQUIPMENT		WIRE INFO					
NUMBER	GA TYP	NUMBER	TERM	WD REF	NUMBER	TERM	TT	EMC/SEP	FT	NOTE	EFFECTIVITY
36	24 PV	GDX0005	D..	31-51-11	SM00029		W	N2	3		
036Z		GDX0002	S..	31-51-11	D01503			N2			
37	24 PV	GDX0002	S..	31-51-11	D01503			N2	3		
037Z		D00815		31-51-11	GDX0002	S..	2	N2			
38	24 PV	D00815		31-51-11	GDX0002	S..	2	N2	3		
038Z		D04349J	38	31-51-11	SM00005		W	N2			
39	24 PK	D04349J	38	31-51-11	SM00005		W	N2	1		
40	24 PK	D01503	A2	31-51-11	SM00005		W	N2	2		
41	24 PK	D01503	A2	31-51-11	SM00005		W	N2	2		
42	24 PK	D01503	A3	31-51-11	SM00005		W	N2	1		
45	22 PA	D01503	A3	31-51-11	GDX0003	D..	2	N2	1		
46	22 PA	D01503	K2	31-51-11	GDX0003	D..	2	N2	2		
47	24 PV	D01503	K2	31-51-11	D00811	75		N2	2		
047Z		D01503	K2	31-51-11	D00811	75		N2	3		
48	24 PV	D00811	DED	31-51-11	D01503			N2	3		
048Z		D01503	X1	31-51-11	SM00015		W	N2			
49	24 PV	D01503	X1	31-51-11	SM00015		W	N2	3		
049Z		SM00015	REF	31-51-11	D01503			N2			
52	22 PA	D00811	46	31-51-11	SM00015		W	N2	2		
53	22 PA	D00811	46	31-51-11	SM00015		W	N2	2		
54	24 PV	D00811	46	31-51-11	SM00015		W	N2	3		
054Z		SM00015	REF	31-51-11	D00811	DED		N2			
55	24 PV	SM00015		31-51-11	D11553	35		N2	3		
055Z		SM00015		31-51-11	D11553	35		N2			
56	24 PV	D11553	11	31-51-11	GDX0003	D..	2	N2	3		
056Z		D11553	11	31-51-11	GDX0003	D..	2	N2			
57	22 PA	D11553	37	31-51-11	D00811	34		N2	2		
58	24 PV	D11553	37	31-51-11	D00811	34		N2	3		
058Z		D11553	37	31-51-11	D00811	34		N2			
59	24 PV	D11553	36	31-51-11	D00811	33		N2	3		
059Z		D11553	36	31-51-11	D00811	33		N2			
60	24 PK	D11553	36	31-51-11	D00811	33		N2	1		

286T0045-307
Wire Bundle Assembly
Figure 110 (Sheet 3)

25-71-02

WIRE		FROM EQUIPMENT		TO EQUIPMENT		WIRE INFO							
NUMBER	GA	TYP	NUMBER	TERM	TT	WD REF	NUMBER	TERM	TT	EMC / SEP	FT	NOTE	EFFECTIVITY
61	24	PK	D00815	14		31-51-11	GDX0001	D..	2	N2	2		
62	24	PK	D00815	14		31-51-11	GDX0001	D..	2	N2	1		
63	24	PK	D00815	27		31-51-11	D00811	12		N2	1		
64	24	PV	D00815	27		31-51-11	D00811	12		N2	3		
064Z			D00811	DED		31-51-11	D00815			N2			
65	24	PV	D00815	32		31-51-11	D00811	17		N2	3		
065Z			D00815	32		31-51-11	D00811	17		N2			
66	22	PA	D00811	DED		31-51-11	D00815			N2	2		
67	24	PV	D00815	17		31-51-11	D00811	22		N2	3		
067Z			D00815	17		31-51-11	D00811	22		N2			
68	24	PV	D00811	DED		31-51-11	D00815			N2	3		
068Z			D00815	54		31-51-11	SM00020		W	N2			
69	24	PV	D00815	54		31-51-11	SM00020		W	N2	3		
069Z			D00811	63		31-51-11	SM00020		W	N2			
70	22	PA	D00811	63		31-51-11	SM00020		W	N2	2		
71	20	UA	D00811	63		31-51-11	SM00020		W	N2	2		
72	20	UA	D00823	35		31-51-11	SM00020		W	N2	2		
73	20	UA	D00823	35		31-51-11	SM00020		W	N2	2		
74	20	PA	D01381	35		31-51-11	SM00020		W	N2	2		
75	20	UA	D01381	35		31-51-11	SM00020		W	N2	2		
76	20	UA	D01381	14		31-51-11	SM00020		W	N2	2		
77	24	PK	D01381	14		31-51-11	GDX0001	D..	2	N2	2		
78	20	PA	D01381	48		31-51-11	GDX0001	D..	2	N2	2		
79	22	PA	D01381	48		31-51-11	GDX0003	D..	2	N2	3		
80	22	PA	D01381	27		31-51-11	D00811	11		N2	2		
81	24	PV	D01381	27		31-51-11	D00811	11		N2	1		
081Z			D01381	27		31-51-11	D00811	11		N2			
82	24	PV	D00811	DED		31-51-11	D01381			N2	1		
082Z			D01381	32		31-51-11	D00811	16		N2			
83	24	PV	D01381	32		31-51-11	D00811	16		N2	3		
083Z			D01381	32		31-51-11	D00811	16		N2			
84	24	PK	D00811	DED		31-51-11	D01381			N2	1		

286T0045-307
Wire Bundle Assembly
Figure 110 (Sheet 4)

25-71-02



BOEING
COMPONENT
MAINTENANCE MANUAL

WIRE		FROM EQUIPMENT		TO EQUIPMENT		WIRE INFO							
NUMBER	GA	TYP	NUMBER	TERM	TT	WD REF	NUMBER	TERM	TT	EMC/SEP	FT	NOTE	EFFECTIVITY
85	24	PK	D01381	17		31-51-11	D00811	21		N2	2		
86	24	PK	D01381	17		31-51-11	D00811	21		N2	1		
87	24	PK	D01381	17		31-51-11	D00811	21		N2	1		
88	22	PA	D00811	DED		31-51-11	D01381			N2	2		
89	24	PV	D00823	14		31-51-11	GDX0001	D..	2	N2	1		
089Z			D00823	14		31-51-11	GDX0001	D..	2	N2	2		
90	24	PV	D00823	48		31-51-11	GDX0003	D..	2	N2	1		
090Z			D00823	48		31-51-11	GDX0003	D..	2	N2	2		
91	24	PV	D00823	27		31-51-11	D00811	10		N2	1		
091Z			D00823	27		31-51-11	D00811	10		N2	2		
92	22	PA	D00823	27		31-51-11	D00811	10		N2	2		
93	24	PV	D00811	DED		31-51-11	D00823			N2	3		
093Z			D00823	32		31-51-11	D00811	15		N2	2		
94	20	PA	D00823	32		31-51-11	D00811	15		N2	3		
95	24	PV	D00823	32		31-51-11	D00811	15		N2	3		
095Z			D00811	DED		31-51-11	D00823			N2	2		
96	24	PV	D00823	17		31-51-11	D00811	20		N2	1		
096Z			D00823	17		31-51-11	D00811	20		N2	2		
97	24	PV	D00823	17		31-51-11	D00811	20		N2	2		
097Z			D00811	DED		31-51-11	D00823			N2	2		
98	20	PA	D00817	14		31-51-11	GDX0002	D..	2	N2	1		
99	24	PK	D00817	14		31-51-11	GDX0002	D..	2	N2	2		
10A	24	PK	D00817	27		31-51-11	D00811	51		N2	2		
100	20	PA	D00817	27		31-51-11	D00811	51		N2	2		
101	20	UA	D00817	27		31-51-11	D00811	51		N2	2		
102	20	UA	D00811	DED		31-51-11	D00817			N2	2		
103	20	UA	D00817	32		31-51-11	D00811	74		N2	2		
104	20	UA	D00817	32		31-51-11	D00811	74		N2	2		
106	20	UA	D00817	32		31-51-11	D00811	74		N2	2		
107	20	UA	D00811	DED		31-51-11	D00817			N2	2		
109	20	UA	D00817	45		31-51-11	SM00021		W	N2	2		
110	20	UA	D00817	45		31-51-11	SM00021		W	N2	2		

286T0045-307
Wire Bundle Assembly
Figure 110 (Sheet 5)

25-71-02

WIRE		FROM EQUIPMENT		TO EQUIPMENT		WIRE INFO					
NUMBER	GA TYP	NUMBER	TERM	WD REF	NUMBER	TERM	TT	EMC/SEP	FT	NOTE	EFFECTIVITY
111	20	UA	D00811	64	31-51-11	SM00021	W	N2	2		
112	22	PA	D00811	64	31-51-11	SM00021	W	N2	2		
113	24	PK	D00811	64	31-51-11	SM00021	W	N2	1		
114	20	PA	D01489	16	31-51-11	SM00021	W	N2	2		
115	24	PK	D01489	16	31-51-11	SM00021	W	N2	2		
116	24	PK	D01487	45	31-51-11	SM00021	W	N2	1		
117	24	PK	D01487	45	31-51-11	SM00021	W	N2	2		
118	24	PK	D01487	27	31-51-11	D00811	47	N2	1		
119	24	PK	D01487	27	31-51-11	D00811	47	N2	1		
120	22	PA	D01487	27	31-51-11	D00811	47	N2	2		
121	24	PK	D00811	DED	31-51-11	D01487		N2	1		
122	24	PK	D01487	32	31-51-11	D00811	70	N2	2		
123	24	PK	D01487	32	31-51-11	D00811	70	N2	1		
124	22	PA	D01487	32	31-51-11	D00811	70	N2	2		
125	20	UA	D00811	DED	31-51-11	D01487		N2	2		
126	24	PV	D01487	14	31-51-11	GDX0003	D..	N2	3		
126Z			D01487	14	31-51-11	GDX0003	D..	N2	2		
127	24	PV	D01489	27	31-51-11	D00811	45	N2	3		
127Z			D01489	27	31-51-11	D00811	45	N2	2		
128	22	PA	D00811	DED	31-51-11	D01489		N2	2		
129	24	PV	D01489	32	31-51-11	D00811	50	N2	3		
129Z			D01489	32	31-51-11	D00811	50	N2	2		
130	24	PV	D00811	DED	31-51-11	D01489		N2	3		
130Z			D01489	17	31-51-11	D00811	36	N2	2		
131	24	PV	D01489	17	31-51-11	D00811	36	N2	3		
131Z			D00811	DED	31-51-11	D01489		N2	2		
132	24	PV	D01489	14	31-51-11	GDX0003	D..	N2	3		
132Z			D01489	14	31-51-11	GDX0003	D..	N2	2		
133	24	PV	D01381		31-51-11	GDX0002	S..	N2	3		
133Z			D01381		31-51-11	GDX0002	S..	N2	2		
134	24	PK	D00823		31-51-11	GDX0002	S..	N2	1		
135	24	PV	D00823		31-51-11	GDX0002	S..	N2	3		

286T0045-307
Wire Bundle Assembly
Figure 110 (Sheet 6)

25-71-02



BOEING
COMPONENT
MAINTENANCE MANUAL

WIRE		FROM EQUIPMENT			TO EQUIPMENT			WIRE INFO					
NUMBER	GA	TYP	NUMBER	TERM	TT	WD REF	NUMBER	TERM	TT	EMC/ SEP	FT	NOTE	EFFECTIVITY
135Z			D00817			31-51-11	GDX0002	S..	2	N2			
136	24	PV	D00817			31-51-11	GDX0002	S..	2	N2	3		
136Z			SM00026		W	31-51-11	GDX0005	D..	2	N2			
137	22	PA	D01487			31-51-11	GDX0005	S..	2	N2	2		
138	24	PV	D01487			31-51-11	GDX0005	S..	2	N2	3		
138Z			GDX0005	S..	2	31-51-11	D01489			N2			
139	24	PV	GDX0005	S..	2	31-51-11	D01489			N2	3		
139Z			D02261	40		31-41-35	D04349J	1		N2			
140	24	PV	D02261	40		31-41-35	D04349J	1		N2	3		
140Z			SM00027		W	31-51-11	GDX0005	D..	2	N2			
141	22	PA	D00813	60		31-51-12	GDX0003	S..	2	N2	2	UAE-F2	
142	24	PK	D00813	60		31-51-12	GDX0003	S..	2	N2	3	UAE-F2	
143	24	PK	D00813	60		31-51-12	GDX0003	S..	2	N2	3	UAE-F2	
144	24	PV	D00821	15		31-51-12	GDX0002	D..	2	N2	3		
144Z			D00821	15		31-51-12	GDX0002	D..	2	N2	3		
145	20	PA	D00821	30		31-51-12	D00813	26		N2			
146	24	PV	D00821	30		31-51-12	D00813	26		N2	3		
146Z			D00821	30		31-51-12	D00813	26		N2			
147	24	PV	D00813	DED		31-51-12	D00821	49		N2	3		
147Z			D00821	33		31-51-12	D00813	49		N2			
148	24	PV	D00821	33		31-51-12	D00813	49		N2	3		
148Z			D00821	33		31-51-12	D00813	49		N2			
149	20	PA	D00813	DED		31-51-12	D00821	49		N2			
150	22	PA	D00821	24		31-51-12	D00813	35		N2	2		
151	24	PK	D00821	24		31-51-12	D00813	35		N2	2		
152	24	PK	D00821	24		31-51-12	D00813	35		N2	2		
153	24	PK	D00813	DED		31-51-12	D00821	49		N2	2		
154	20	PA	D00821	19		31-51-12	SM00025		W	N2	2		
155	24	PK	D00821	19		31-51-12	SM00025		W	N2	2		
156	24	PK	D00813	65		31-51-12	SM00025		W	N2	2		
157	24	PK	D00813	65		31-51-12	SM00025		W	N2	2		
158	24	PK	D00813	65		31-51-12	SM00025		W	N2	1		

286T0045-307
Wire Bundle Assembly
Figure 110 (Sheet 7)

25-71-02

WIRE		FROM EQUIPMENT			TO EQUIPMENT			WIRE INFO					
NUMBER	GA	TYP	NUMBER	TERM	TT	WD REF	NUMBER	TERM	TT	EMC/SEP	FT	NOTE	EFFECTIVITY
159	24	PK	D00819	3		31-51-12	SM00025		W	N2	1		
160	24	PK	D00819	3		31-51-12	SM00025		W	N2	1		
161	24	PK	D01433	18		31-51-12	SM00025		W	N2	1		
162	24	PK	D01433	18		31-51-12	SM00025		W	N2	1		
165	22	PA	D01433	15		31-51-12	GDX0002	D..	2	N2	2		
166	24	PK	D01433	15		31-51-12	GDX0002	D..	2	N2	2		
167	24	PK	D01433	30		31-51-12	SM00054		W	N2	2		
168	20	PA	D01433	30		31-51-12	SM00054		W	N2	2		
169	24	PK	SM00054	REF		31-51-12	D01433		W	N2	2		
170	24	PK	D01433	33		31-51-12	SM00055		W	N2	2		
171	24	PK	D01433	33		31-51-12	SM00055		W	N2	2		
172	24	PK	SM00055	REF		31-51-12	D01433		W	N2	2		
173	24	PK	D01433	24		31-51-12	SM00056		W	N2	2		
174	24	PK	D01433	24		31-51-12	SM00056		W	N2	2		
175	24	PK	SM00056	REF		31-51-12	D01433		W	N2	2		
176	24	PK	D00819	15		31-51-12	GDX0002	D..	2	N2	2		
177	24	PK	D00819	15		31-51-12	GDX0002	D..	2	N2	2		
178	24	PK	D00819	30		31-51-12	D00813	13		N2	2		
179	24	PK	D00819	30		31-51-12	D00813	13		N2	2		
180	24	PK	D00813	DED		31-51-12	D00819			N2	1		
181	24	PK	SM00032		W	31-51-12	GDX0005	D..	2	N2	1		
182	24	PK	D01505	X2		31-51-12	D00813	75		N2	1		
183	24	PK	D01505	X2		31-51-12	D00813	75		N2	2		
184	22	PA	D01505	X2		31-51-12	D00813	75		N2	1		
185	22	PA	D00813	DED		31-51-12	D01505			N2	1		
186	24	PK	D01505	X1		31-51-12	SM00016		W	N2	1		
187	24	PK	D01505	X1		31-51-12	SM00016		W	N2	1		
188	24	PK	SM00016	REF		31-51-12	D01505			N2	1		
189	24	PK	D00813	46		31-51-12	SM00016		W	N2	1		
190	24	PK	D00813	46		31-51-12	SM00016		W	N2	1		
191	24	PK	D00813	46		31-51-12	SM00016		W	N2	1		
192	24	PK	SM00016	REF		31-51-12	D00813	DED		N2	1		

286T0045-307
Wire Bundle Assembly
Figure 110 (Sheet 8)

25-71-02



BOEING
COMPONENT
MAINTENANCE MANUAL

WIRE		FROM EQUIPMENT		TO EQUIPMENT		WIRE INFO							
NUMBER	GA	TYP	NUMBER	TERM	TT	WD REF	NUMBER	TERM	TT	EMC / SEP	FT	NOTE	EFFECTIVITY
193	24	PK	SM00033		W	31-51-12	GDX0005	D..	2	N2	1		
194	24	PK	SM00016		W	31-51-12	D11553	25		N2	1		
195	24	PK	SM00016		W	31-51-12	D11553	25		N2	1		
196	24	PK	D01489	21		31-51-33	D04349J	44		N2	1	ZSZ-B6	
197	24	PK	D01489	21		31-51-33	D04349J	23		N2	1		
198	24	PK	D11553	1		31-51-12	GDX0003	D..	2	N2	2		
199	20	PA	D11553	1		31-51-12	GDX0003	D..	2	N2	2		
201B	24	PW	D00821			31-51-12	GDX0004	S..	2	N2	1		
201R	24	PW	D00821			31-51-12	GDX0004	S..	2	N2			
201Z			D00819			31-51-12	GDX0004	S..	2	N2			
204	20	UA	D00819			31-51-12	GDX0004	S..	2	N2	2		
204B	24	PW	D01433			31-51-12	GDX0004	S..	2	N2	1		
204R	24	PW	D01433			31-51-12	GDX0004	S..	2	N2			
204Z	24	PW	D01505			31-51-12	GDX0004	S..	2	N2			
205B	24	PW	D01505			31-51-12	GDX0005	S..	2	N2	1		
205R	24	PW	D00815			31-51-12	GDX0005	S..	2	N2			
205Z			D00815			31-51-12	GDX0004	S..	2	N2			
207	20	UA	D01381			31-51-12	GDX0004	S..	2	N2	2		
207B	24	PW	D01381			31-51-12	GDX0004	S..	2	N2	1		
207R	24	PW	D00817			31-51-12	GDX0004	S..	2	N2			
207Z			D00817			31-51-12	GDX0004	S..	2	N2			
208	20	UA	D01487			31-51-12	GDX0001	S..	2	N2	2		
208B	24	PW	D01487			31-51-12	GDX0001	S..	2	N2	2		
208R	24	PW	D01489			31-51-12	GDX0001	S..	2	N2			
208Z			D01489			31-51-12	GDX0001	S..	2	N2			
209B	24	PW	D00815	15		31-51-12	GDX0001	D..	2	N2	1		
209R	24	PW	D00815	15		31-51-12	GDX0001	D..	2	N2			
209Z			D01505	A2		31-51-12	SM00005		W	N2			
212B	24	PW	D01505	A2		31-51-12	SM00005		W	N2	1		
212R	24	PW	D01505	A3		31-51-12	GDX0003	D..	2	N2			
212Z			D01505	A3		31-51-12	GDX0003	D..	2	N2			
213	20	UA	D02261	21		21-61-81	D04347J	25		N2	2		

286T0045-307
Wire Bundle Assembly
Figure 110 (Sheet 9)

25-71-02

WIRE		FROM EQUIPMENT		TO EQUIPMENT		WIRE INFO							
NUMBER	GA	TYP	NUMBER	TERM	TT	WD REF	NUMBER	TERM	TT	EMC/SEP	FT	NOTE	EFFECTIVITY
213B	24	PW	D00815	21		31-51-12	SM00023		W	N2	2		
213R	24	PW	D00815	21		31-51-12	SM00023		W	N2			
213Z	24	PW	D00813	63		31-51-12	SM00023		W	N2	2		
214	20	UA	D00813	63		31-51-12	SM00023		W	N2	2		
214B	24	PW	D00813	63		31-51-12	SM00023		W	N2			
214R	24	PW	D00823	1		31-51-12	SM00023		W	N2			
214Z	24	PW	D00823	1		31-51-12	SM00023		W	N2			
215B	24	PL	D01381	1		31-51-12	SM00023		W	N2	2		
215R	24	PL	D01381	1		31-51-12	SM00023		W	N2			
216B	24	PL	D01381	15		31-51-12	GDX0001	D..	2	N2	2		
216R	24	PL	D01381	15		31-51-12	GDX0001	D..	2	N2			
221B	24	PW	D00817	56		31-51-12	SM00024		W	N2	1		
221R	24	PW	D00817	56		31-51-12	SM00024		W	N2			
221Z	24	PW	D00813	64		31-51-12	SM00024		W	N2	1		
223B	24	PW	D00813	64		31-51-12	SM00024		W	N2			
223R	24	PW	D00813	64		31-51-12	SM00024		W	N2			
223Z	24	PW	D01487	56		31-51-12	SM00024		W	N2	2		
224	20	UA	D01487	56		31-51-12	SM00024		W	N2	2		
224B	24	PW	D00823	15		31-51-12	GDX0001	D..	2	N2	2		
224R	24	PW	D00823	15		31-51-12	GDX0001	D..	2	N2			
224Z	24	PW	D00823	15		31-51-12	GDX0004	S..	2	N2			
225B	22	PR	D00823	33		31-51-12	GDX0004	S..	2	N2	2		
225R	22	PR	D00823	33		31-51-12	D00813	15	N2	N2			
225Z	22	PR	D00823	33		31-51-12	D00813	15	N2	N2			
226B	22	PR	D00823	24		31-51-12	D00813	DED	N2	N2	2		
226R	22	PR	D00823	24		31-51-12	D00813	20	N2	N2			
226Z	22	PR	D00823	24		31-51-12	D00813	20	N2	N2			
230	20	UA	D00823	15		31-51-12	D00813	DED	N2	N2	2		
230B	24	PW	D00817	15		31-51-12	GDX0002	D..	2	N2	1		
230R	24	PW	D00817	15		31-51-12	GDX0002	D..	2	N2			
230Z	24	PW	D00817	30		31-51-12	D00813	51	N2	N2			
236	20	UA	D00817	30		31-51-12	D00813	51	N2	N2	2		

 286T0045-307
 Wire Bundle Assembly
 Figure 110 (Sheet 10)

25-71-02



BOEING
COMPONENT
MAINTENANCE MANUAL

WIRE		FROM EQUIPMENT			TO EQUIPMENT			WIRE INFO					
NUMBER	GA	TYP	NUMBER	TERM	TT	WD REF	NUMBER	TERM	TT	EMC/SEP	FT	NOTE	EFFECTIVITY
236B	24	PW	D00817	30		31-51-12	D00813	51		N2	2		
236R	24	PW	D00817			31-51-12	D00813	DED		N2			
236Z	24	PW	D00817	33		31-51-12	D00813	74		N2			
237B	24	PW	D00817	33		31-51-12	D00813	74		N2	2		
237R	24	PW	D00817	33		31-51-12	D00813	74		N2			
237Z	24	PW	D00817	33		31-51-12	D00813	DED		N2			
238	20	UA	D00813	11		31-51-12	D01381	30		N2	2		
238B	24	PW	D00813	11		31-51-12	D01381	30		N2	2		
238R	24	PW	D00813	11		31-51-12	D01381	30		N2			
238Z	24	PW	D01381			31-51-12	D00813	DED		N2			
239B	24	PW	D00813	16		31-51-12	D01381	33		N2	2		
239R	24	PW	D00813	16		31-51-12	D01381	33		N2			
239Z	24	PW	D00813	16		31-51-12	D01381	33		N2			
240B	24	PL	D01381			31-51-12	D00813	DED		N2	1		
240R	24	PL	D01381	24		31-51-12	D00813	21		N2			
241B	24	PL	D01381	24		31-51-12	D00813	21		N2	1		
241R	24	PL	D01381	24		31-51-12	D00813	21		N2			
242B	24	PL	D01381			31-51-12	D00813	DED		N2	1		
242R	24	PL	D01489	50		31-51-12	SM00024		W	N2			
243B	24	PW	D01489	50		31-51-12	SM00024		W	N2	2		
243R	24	PW	D01487	30		31-51-12	D00813	47		N2			
243Z	24	PW	D01487	30		31-51-12	D00813	47		N2			
245B	24	PW	D01487	30		31-51-12	D00813	47		N2	2		
245R	24	PW	D01487			31-51-12	D00813	DED		N2			
245Z	24	PW	D01487	33		31-51-12	D00813	70		N2			
247	20	UA	D01487	33		31-51-12	D00813	70		N2	2		
247B	24	PW	D01487	33		31-51-12	D00813	70		N2	2		
247R	24	PW	D01487	33		31-51-12	D00813	70		N2	2		
247Z	24	PW	D01487			31-51-12	D00813	DED		N2			
248	20	UA	D01487	15		31-51-12	GDX0003	D..	2	N2	2		
248B	24	PW	D01489	30		31-51-12	GDX0003	D..	2	N2	2		
248R	24	PW	D01489	30		31-51-12	D00813	45		N2	2		
248Z	24	PW	D01489	30		31-51-12	D00813	45		N2	2		

286T0045-307
Wire Bundle Assembly
Figure 110 (Sheet 11)

25-71-02



BOEING
COMPONENT
MAINTENANCE MANUAL

WIRE		FROM EQUIPMENT		TO EQUIPMENT		WIRE INFO						
NUMBER	GA TYP	NUMBER	TERM	TT	WD REF	NUMBER	TERM	TT	EMC/SEP	FT	NOTE	EFFECTIVITY
304Z		D04301J	6		27-32-11	D00823	34		N2			
305	20 UA	D04301J	6		27-32-11	D00823	34		N2	1		
305B	22 PS	D04509J	1		27-32-11	D00823	39		N2	2		
305R	22 PS	D04509J	1		27-32-11	D00823	39		N2			
305Y	22 PS	D04347J	26		27-32-11	D00823	40		N2			
305Z		D04347J	26		27-32-11	D00823	40		N2			
306B	22 PS	D00823	31		27-32-11	D04509J	6		N2	2		
306R	22 PS	D00823	31		27-32-11	D04509J	6		N2			
306Y	22 PS	D04509J	7		27-32-11	GDX0001	D..	2	N2			
306Z		D04509J	7		27-32-11	GDX0001	D..	2	N2			
307B	22 PS	SM00037		W	27-32-11	D04511J	3		N2	2		
307R	22 PS	SM00037		W	27-32-11	D04511J	3		N2			
307Y	22 PS	D00823	38		27-32-11	D04511J	2		N2			
307Z		D00823	38		27-32-11	D04511J	2		N2			
308B	22 PS	D04511J	4		27-32-11	SM00050		W	N2	2		
308R	22 PS	D04511J	4		27-32-11	SM00050		W	N2			
308Y	22 PS	SM00037		W	27-32-11	D00823	4		N2			
308Z		SM00037		W	27-32-11	D00823	4		N2			
512	24 PK	D04349J	14		27-32-11	D00823	36		N2	2		
601	20 PA	D04349J	14		27-32-11	D00823	36		N2			
602	20 PA	D04349J	15		27-32-11	D00823	3		N2			
603	24 PV	D04349J	15		27-32-11	D00823	3		N2	1		
603Z		D04349J	16		27-32-11	D00823	43		N2			
604	24 PV	D04349J	16		27-32-11	D00823	43		N2	3		
604Z		D04349J	10		27-32-11	D00823	2		N2			
605	24 PV	D04349J	10		27-32-11	D00823	2		N2	3		
605Z		D04349J	11		27-32-21	D01381	34		N2			
606	24 PV	D04349J	11		27-32-21	D01381	34		N2	1		
606Z		D01381	40		27-32-21	D04349J	6		N2			
607	24 PV	D01381	40		27-32-21	D04349J	6		N2	3		
607Z		D01381	31		27-32-21	D04511J	7		N2			
608	24 PV	D01381	31		27-32-21	D04511J	7		N2	3		

286T0045-307
Wire Bundle Assembly
Figure 110 (Sheet 13)

25-71-02

WIRE		FROM EQUIPMENT		TO EQUIPMENT		WIRE INFO					
NUMBER	GA TYP	NUMBER	TERM	WD REF	NUMBER	TERM	TT	EMC/SEP	FT	NOTE	EFFECTIVITY
608Z		GDX0002	D..	27-32-21	D04511J	8		N2			
610	24 PK	GDX0002	D..	27-32-21	D04511J	8		N2	1		
611	24 PK	D04349J	34	27-32-21	D01381	36		N2	2		
612	24 PK	D04349J	34	27-32-21	D01381	36		N2	1		
613	24 PK	D04349J	35	27-32-21	D01381	3		N2	1		
614	24 PK	D04349J	35	27-32-21	D01381	3		N2	1		
615	24 PK	D04349J	36	27-32-21	D01381	43		N2	1		
617	24 PK	D04349J	36	27-32-21	D01381	43		N2	1		
618	24 PK	D04349J	37	27-32-21	D01381	2		N2	1		
619	24 PK	D04349J	37	27-32-21	D01381	2		N2	1		
620	24 PK	D04511J	13	27-32-21	D01381	4		N2	1		
621	24 PK	D04511J	13	27-32-21	D01381	4		N2	1		
622	24 PK	D04511J	16	27-32-21	D01381	37		N2	1		
623	24 PK	D04511J	16	27-32-21	D01381	37		N2	1		
624	24 PK	D04511J	15	27-32-21	D01381	38		N2	1		
625	24 PK	D04511J	15	27-32-21	D01381	38		N2	1		
631	24 PK	D04509J	8	27-32-21	D01381	39		N2	1		
644	22 PQ	D04509J	8	27-32-21	D01381	39		N2	2		
644Z		D00815	34	31-51-21	SM00057		W	N2			
646	22 PQ	D00815	34	31-51-21	SM00057		W	N2	2		
646Z		D00815	43	31-51-21	D01433	19		N2			
652	24 PV	D00815	43	31-51-21	D01433	19		N2	2		
652Z		D00815	10	31-51-21	D00819	5		N2			
653	24 PV	D00815	10	31-51-21	D00819	5		N2	2		
653Z		D04507J	5	31-51-21	SM00034		W	N2			
654	24 PV	D04507J	5	31-51-21	SM00034		W	N2	1		
654Z		SM00058		31-51-21	D00815	66		N2			
655	24 PV	SM00058		31-51-21	D00815	66		N2	1		
655Z		D00815	4	31-51-21	SM00034		W	N2			
656	24 PK	D00815	4	31-51-21	SM00034		W	N2	1		
657	22 PA	D00815	11	31-51-21	D04349J	39		N2	2		
658	24 PV	D00815	11	31-51-21	D04349J	39		N2	3		

286T0045-307
Wire Bundle Assembly
Figure 110 (Sheet 14)

25-71-02



BOEING
COMPONENT
MAINTENANCE MANUAL

WIRE		FROM EQUIPMENT			TO EQUIPMENT			WIRE INFO				
NUMBER	GA TYP	NUMBER	TERM	TT	WD REF	NUMBER	TERM	TT	EMC/SEP	FT	NOTE	EFFECTIVITY
658Z		D00815	37		31-51-21	SM00035		W	N2			
659	24 PV	D00815	37		31-51-21	SM00035		W	N2	3		
659Z		D00815	42		31-51-21	SM00036		W	N2			
660	20 UA	D00815	42		31-51-21	SM00036		W	N2	1		
661	24 PK	D04349J	5		31-51-21	SM00012		W	N2	3		
662	22 PA	D04349J	5		31-51-21	SM00012		W	N2	1		
663	24 PV	D00815	2		31-51-21	SM00012		W	N2	2		
663Z		D00815	2		31-51-21	SM00012		W	N2			
664	24 PV	SM00011		W	31-51-21	SM00012	4		N2	2		
664Z		SM00011		W	31-51-21	D04349J	4		N2			
665	24 PV	SM00011		W	31-51-21	D00815	35		N2	1		
665Z		SM00011		W	31-51-21	D00815	35		N2			
666	24 PV	D04349J	44		31-51-21	SM00009		W	N2	1		
666Z		D00815	44		31-51-21	SM00009		W	N2			
667	24 PK	D04347J	10		31-51-21	SM00008		W	N2	1		
668	22 PA	D04347J	10		31-51-21	SM00008		W	N2	2		
669	24 PV	D00815	1		31-51-21	SM00008		W	N2	2		
669Z		D00815	1		31-51-21	SM00008		W	N2			
670	24 PV	D04347J	11		31-51-21	SM00010		W	N2	2		
670Z		D04347J	11		31-51-21	SM00010		W	N2			
671	20 PA	D00815	36		31-51-21	SM00010		W	N2	1		
672	24 PK	D00815	36		31-51-21	SM00010		W	N2	2		
673	22 PA	SM00039		W	31-51-21	SM00010	21		N2	1		
674	24 PK	SM00039		W	31-51-21	D04347J	21		N2	2		
675	24 PK	D00815	45		31-51-21	SM00039		W	N2	2		
676	24 PK	D00815	45		31-51-21	SM00039		W	N2	1		
677	24 PK	D00815	46		31-51-21	D04347J	6		N2	1		
679	24 PK	D00815	46		31-51-21	D04347J	6		N2	1		
680	24 PK	GDX0004	S..	2	31-51-31	D04597J	14		N2	1		
681	24 PK	GDX0004	S..	2	31-51-31	D04597J	14		N2	1		
682	24 PK	D01489	43		31-51-33	SM00004		W	N2	2		
683	22 PA	D01489	43		31-51-33	SM00004		W	N2	2		

286T0045-307
Wire Bundle Assembly
Figure 110 (Sheet 15)

25-71-02

TESTING & TROUBLE SHOOTING
01 Page 146S
Nov 01/02

WIRE		FROM EQUIPMENT		TO EQUIPMENT		WIRE INFO							
NUMBER	GA	TYP	NUMBER	TERM	TT	WD REF	NUMBER	TERM	TT	EMC / SEP	FT	NOTE	EFFECTIVITY
684	20	PA	D01489	9		31-51-33	SM00003		W	N2	2		
685	24	PK	D01489	DED		31-51-33	SM00003	REF		N2	2		
686	24	PK	D04507J			27-32-11	GDX0004	S..	2	N2	1		
687	24	PK	D04507J			27-32-11	GDX0004	S..	2	N2	1		
688	24	PK	D00823	18		27-32-11	D04507J	12		N2	2		
689	24	PK	D00823	18		27-32-11	D04507J	12		N2	1		
692	24	PK	D00823	16		27-32-11	D04507J	11		N2	1		
693	24	PK	D04507J			27-32-11	D00823	DED		N2	2		
694	22	PA	D00815	19		31-51-21	SM00007		W	N2	1		
696	20	PA	D00815	19		31-51-21	SM00007		W	N2	1		
697	20	PA	D00815	52		31-51-21	SM00006		W	N2	1		
701	24	PK	D00815	DED		31-51-21	SM00006	REF		N2			
702	24	PK	D04597J			31-51-21	GDX0004	S..	2	N2			
703	24	PK	D04597J			31-51-21	GDX0004	S..	2	N2			
704	24	PK	SM00007		W	31-51-21	D04597J	4		N2	1		
705	24	PK	SM00007		W	31-51-21	D04597J	4		N2	2		
706	24	PK	SM00006		W	31-51-21	D04597J	3		N2	2		
707	24	PK	SM00006			31-51-21	D04597J			N2	2		
708	24	PK	D04301J	REF		34-16-11	GDX0002	S..	2	N2	2		
709	24	PK	D04301J			34-16-11	GDX0002	S..	2	N2	1		
710	24	PK	D00821	36		34-16-11	D04301J	9		N2	1		
711	24	PK	D00821	36		34-16-11	D04301J	9		N2	2		
712	24	PK	D00821	2		34-16-11	D04301J	8		N2	2		
713	24	PK	D00821	DED		34-16-11	D04301J			N2	2		
714	24	PK	D01489	46		31-51-33	SM00007		W	N2	2		
715	24	PK	D01489	46		31-51-33	SM00007		W	N2	1		
716	24	PK	D01489	12		31-51-33	SM00006		W	N2	1		
717	24	PK	D01489	DED		31-51-33	SM00006	REF		N2	1	ZSZ-B6	
718	24	PK	D01489	DED		31-51-33	SM00006	REF		N2	2	PAJ-F2	
720	24	PK	D01433	36		31-51-42	SM00007		W	N2	1		
721	24	PK	D01433	36		31-51-42	SM00007		W	N2	2		
722	24	PK	D01433	2		31-51-42	SM00006		W	N2	2		

VS486-VS486
VS487-VS495

286T0045-307
Wire Bundle Assembly
Figure 110 (Sheet 16)

25-71-02



BOEING
COMPONENT
MAINTENANCE MANUAL

WIRE		FROM EQUIPMENT		TO EQUIPMENT		WIRE INFO					
NUMBER	GA. TYP	NUMBER	TERM	WD REF	NUMBER	TERM	TT	EMC/SEP	FT	NOTE	EFFECTIVITY
723	24 PK	D01433	DED	31-51-42	SM00006	REF		N2	1		VS486-VS486 VS487-VS495
724	24 PK	D04507J		34-16-11	GDX0004	S..	2	N2	1		
725	24 PK	D04507J		34-16-11	GDX0004	S..	2	N2	2		
726	22 PA	D00821	35	34-16-11	D04507J	8		N2	1		
727	22 PA	D00821	35	34-16-11	D04507J	8		N2	1		
728	24 PK	D00821	1	34-16-11	D04507J	9		N2	2		
729	24 PK	D00821	DED	34-16-11	D04507J			N2	2		
730	24 PK	D04349J		34-16-11	GDX0004	S..	2	N2	2		
731	24 PK	D04349J		34-16-11	GDX0004	S..	2	N2	2		
732	24 PK	D00821	37	34-16-11	D04349J	19		N2	2		
733	24 PK	D00821	37	34-16-11	D04349J	19		N2	2		
734	24 PK	D00821	3	34-16-11	D04349J	18		N2	1		
735	24 PK	D00821	DED	34-16-11	D04349J			N2	2		
736	24 PK	D01487	24	31-51-31	D04597J	12		N2	2		
737	24 PK	D01487	24	31-51-31	D04597J	12		N2	1		
738	24 PK	D01487	23	31-51-31	D04597J	13		N2	2		
739	24 PK	D00817	24	31-51-32	D04303J	12		N2	1		
740	24 PK	D00817	24	31-51-32	D04303J	12		N2	1		
741	24 PK	D00817	23	31-51-32	D04303J	11		N2			
742	24 PK	D01489	45	31-51-33	SM00004		W	N2			
746	24 PK	D01489	45	31-51-33	SM00004		W	N2	1		
747	24 PK	D01489	11	31-51-33	SM00003		W	N2	1		
748	24 PK	D01489	DED	31-51-33	SM00003	REF		N2	1		
749	24 PK	D00821	38	34-16-11	SM00004		W	N2	1		
750	24 PK	D00821	38	34-16-11	SM00004		W	N2	1		
751	24 PK	D00821	4	34-16-11	SM00003		W	N2	1		
752	24 PK	D00821	DED	34-16-11	SM00003	REF		N2	1		
753	24 PK	D04349J		27-32-21	GDX0004	S..	2	N2	1		
757	24 PK	D04349J		27-32-21	GDX0004	S..	2	N2	1		
758	24 PK	D04349J	28	27-32-21	D01381	18		N2	2		
759	24 PK	D04349J	28	27-32-21	D01381	18		N2	2		
760	24 PK	D04349J	27	27-32-21	D01381	16		N2	2		

286T0045-307
Wire Bundle Assembly
Figure 110 (Sheet 17)

25-71-02

WIRE NUMBER	GA TYP	FROM EQUIPMENT		TO EQUIPMENT		WIRE INFO					
		NUMBER	TERM	WD REF	NUMBER	TERM	TT	EMC/SEP	FT	NOTE	EFFECTIVITY
761	24 PK	D04349J			D01381	DED			2		
762	24 PK	D00811	69		SM00060				1		
763	24 PK	D00811	69		SM00060				1		
766	24 FV	D00811	69		SM00060				1		
766Z		D00811	68		SM00060				1		
767	24 PK	D00811	DED		SM00028	REF			1		
768	24 PK	D00813	69		SM00061				1		
769	24 PK	D00813	69		SM00061				1		
770	24 PK	D00813	69		SM00061				1		
772	24 PK	D00813	68		SM00061				2		
773	24 PK	D00813	DED		SM00030	REF			2		
774	24 PK	D04347J			GDX0003	S..			2		
775	24 PK	D04347J			GDX0003	S..			2		
776	24 PK	D04347J	18		SM00004				2		
777	24 PK	D04347J	18		SM00004				2		
779	24 PK	D04347J	17		SM00003				2		
780	24 PK	D04347J			SM00003	REF			2		
781	24 PK	D04347J			GDX0001	S..			2		
782	24 PK	D04347J			GDX0001	S..			2		
783	24 PK	D04347J	37		D00823	54			1		
784	24 PK	D04347J	37		D00823	54			1		
785	24 PK	D04347J	36		D00823	23			1		
786	24 PK	D04347J			D00823	DED			1		
787	24 PK	D04347J	40		D00823	13			1		
788	24 PK	D04347J	40		D00823	13			1		
789	24 PK	D04347J	39		D00823	12			2		
791	24 PK	D04347J			D00823	DED			2		
792	24 PK	D04349J			GDX0001	S..			2		
793	24 PK	D04349J			GDX0001	S..			2		
794	20 PA	D04349J	49		D01381	54			1		
795	24 PK	D04349J	49		D01381	54			2		
796	24 PK	D04349J	48		D01381	23			2		

286T0045-307
Wire Bundle Assembly
Figure 110 (Sheet 18)

25-71-02



BOEING
COMPONENT
MAINTENANCE MANUAL

WIRE		FROM EQUIPMENT		TO EQUIPMENT		WIRE INFO							
NUMBER	GA	TYP	NUMBER	TERM	TT	WD REF	NUMBER	TERM	TT	EMC / SEP	FT	NOTE	EFFECTIVITY
797	24	PV	D04349J			27-32-21	D01381	DED		N2	1		
797Z			D01381	20		27-32-21	D04349J	55		N2			
798	24	PV	D01381	20		27-32-21	D04349J	55		N2	1		
798Z			D01381	19		27-32-21	D04349J	54		N2			
817	24	PK	D01381	DED		27-32-21	D04349J			N2	2		
818	24	PK	D04347J	23		31-51-31	SM00080		W	N2	2		
819	24	PK	D04347J	23		31-51-31	SM00080		W	N2	2		
820	24	PK	D04347J	22		31-51-31	SM00042		W	N2	2		
821	24	PK	D01487	60		31-51-31	SM00080		W	N2	2		
822	24	PK	D01487	60		31-51-31	SM00080		W	N2	2		
823	24	PK	D01487	28		31-51-31	SM00042		W	N2	2		
824	24	PK	D00817	60		31-51-32	SM00080		W	N2	2		
825	24	PK	D00817	60		31-51-32	SM00080		W	N2	2		
826	24	PK	D00817	28		31-51-32	SM00042		W	N2	2		
827	24	PK	D04349J	52		27-32-21	D01381	13		N2	2		
828	24	PK	D04349J	52		27-32-21	D01381	13		N2	2		
829	24	PK	D04349J	51		27-32-21	D01381	12		N2	2		
830	24	PK	D04349J			27-32-21	D01381	DED		N2	2		
831	24	PK	D00823	20		27-32-11	D04347J	48		N2	2		
832	24	PK	D00823	20		27-32-11	D04347J	48		N2	2		
833	24	PK	D00823	19		27-32-11	D04347J	47		N2	2		
834	24	PK	D00823	DED		27-32-11	D04347J			N2	2		
835	24	PK	D04349J			31-41-35	GDX0006	S..	2	N2	2		
836	20	PA	D04349J			31-41-35	GDX0006	S..	2	N2	2		
837	24	PK	D02261	42		31-41-35	D04349J	57		N2	1		
838	24	PK	D02261	42		31-41-35	D04349J	57		N2	1		
842	24	PK	D02261	43		31-41-35	D04349J	56		N2	1		
843	24	PK	D02261	DED		31-41-35	D04349J			N2	1		
862	22	PA	D04349J			28-41-11	GDX0006	S..	2	N2	1		
863	22	PA	D04349J			28-41-11	GDX0006	S..	2	N2	1		
864	22	PA	D02261	5		28-41-11	D04349J	60		N2	1		
865	22	PA	D02261	5		28-41-11	D04349J	60		N2	1		

286T0045-307
Wire Bundle Assembly
Figure 110 (Sheet 19)

25-71-02

WIRE NUMBER	GA	TYP	FROM EQUIPMENT		TO EQUIPMENT		WIRE INFO							
			NUMBER	TERM	TT	WD REF	NUMBER	TERM	TT	EMC/ SEP	FT	NOTE	EFFECTIVITY	
866	24	PV	D02261	8		28-41-11	D04349J	59			1			
866Z			D02261	DED		28-41-11	D04349J							
867	24	PV	D04597J	5		31-51-31	SM00088		W		1			
867Z			D04597J	5		31-51-31	SM00088		W					
868	24	PV	D04597J	2		31-51-31	SM00087		W		1			
868Z			D01487	63		31-51-31	SM00088		W					
869	24	PK	D01487	63		31-51-31	SM00088		W		1			
870	22	PA	D01487	62		31-51-31	SM00087		W		2			
871	22	PA	D00817	63		31-51-32	SM00088		W		2			
872	22	PA	D00817	63		31-51-32	SM00088		W		1			
873	24	PV	D00817	62		31-51-32	SM00087		W		1			
873Z			SM00028	REF		31-51-11	GDX0005	S..	2		N2			
874	24	PV	SM00028	REF		31-51-11	GDX0005	S..	2		N2			
874Z			D00811	57		31-51-11	SM00028		W		N2			
875	24	PV	D00811	57		31-51-11	SM00028		W		1			
875Z			D00811	57		31-51-11	SM00028		W		N2			
876	24	PK	D00811	38		31-51-11	SM00028		W		1			
877	24	PV	D00811	58		31-51-11	SM00028		W		2			
877Z			D00811	DED		31-51-11	SM00028	REF			N2			
878	24	PV	D00811	42		31-51-11	SM00029		W		2			
878Z			D00811	42		31-51-11	SM00029		W		N2			
879	24	PV	D00811	42		31-51-11	SM00029		W		2			
879Z			D00811	41		31-51-11	SM00029		W		N2			
880	24	PV	D00811	43		31-51-11	SM00029		W		2			
880Z			D00811	DED		31-51-11	SM00028	REF			N2			
881	24	PV	D00811	8		31-51-11	SM00026		W		2			
881Z			D00811	8		31-51-11	SM00026		W		N2			
882	24	PV	D00811	8		31-51-11	SM00026		W		2			
882Z			D00811	7		31-51-11	SM00026		W		N2			
883	22	PA	D00811	9		31-51-11	SM00026		W		2			
884	22	PA	D00811	DED		31-51-11	SM00028	REF			N2			
885	24	PK	D00811	25		31-51-11	SM00027		W		1			

286T0045-307
Wire Bundle Assembly
Figure 110 (Sheet 20)

25-71-02

BOEING
 COMPONENT
 MAINTENANCE MANUAL

WIRE		FROM EQUIPMENT			TO EQUIPMENT			WIRE INFO					
NUMBER	GA	TYP	NUMBER	TERM	TT	WD REF	NUMBER	TERM	TT	EMC/ SEP	FT	NOTE	EFFECTIVITY
886	24	PK	D00811	25		31-51-11	SM00027		W	N2	1		
887	24	PK	D00811	25		31-51-11	SM00027		W	N2	1		
888	24	PK	D00811	24		31-51-11	SM00027		W	N2	1		

286T0045-307
 Wire Bundle Assembly
 Figure 110 (Sheet 21)

25-71-02

TESTING & TROUBLE SHOOTING
 01 Page 146Y
 Nov 01/02

WIRE			FROM EQUIPMENT			TO EQUIPMENT			WIRE INFO					
NUMBER	GA	TYP	NUMBER	TERM	TT	WDM	REF	NUMBER	TERM	TT	EMC/SEP	FT	NOTES	EFFECTIVITY
FRA			M01103			31-51-12		M01103	GND	D	N2			
FRB			D00813	REF		31-51-12		D00813	59		N2			
FRC			M01102			31-51-11		M01102	GND	D	N2			
FRD			D00811	REF		31-51-11		D00811	59		N2			
FRG			D04349J	58		31-41-35		D04349J	REF		N2			
FRH			D04349J	61		28-41-11		D04349J	REF		N2			
PA1			D00815	47		99-99-99		D00815	63		N2		DAW-B2	
PA2			D00817	8		99-99-99		D00817	57		N2		DAW-B2	
PA3			D00819	41		99-99-99		D00819	55		N2		DAW-B2	
PA4			D00821	43		99-99-99		D00821	60		N2		DAW-B2	
PA5			D00823	52		99-99-99		D00823	65		N2		DAW-B2	
PA6			D01433	44		99-99-99		D01433	61		N2		DAW-B2	
PA7			D01381	52		99-99-99		D01381	65		N2		DAW-B2	
PA8			D01487	8		99-99-99		D01487	57		N2		DAW-B2	
PA9			D01489	56		99-99-99		D01489	65		N2		DAW-B2	
PB4			D02261	54		99-99-99		D02261	61		N2		DAW-B2	
P01		SE	D11553								N2			
1	22	PA	D00811	60		31-51-11		GDX0001	S..	2	N2	3	UAE-F2	
2	22	PA	D00821	14		31-51-11		GDX0002	D..	2	N2	2		
3	24	PV	D00811	26		31-51-11		D00821	27		N2	3		
003Z			D00811	DED		31-51-11		D00821	REF		N2			
4	24	PV	D00811	49		31-51-11		D00821	32		N2	3		
004Z			D00811	DED		31-51-11		D00821	REF		N2			
5	24	PV	D00811	35		31-51-11		D00821	17		N2	3		
005Z			D00811	DED		31-51-11		D00821	REF		N2			
6	24	PK	SM00022		W	31-51-11		D00821	51		N2	1		
7	24	PK	D00811	65		31-51-11		SM00022		W	N2	2		
8	24	PK	D00819	37		31-51-11		SM00022		W	N2	1		
9	24	PV	D00819	27		31-51-11		D00811	13		N2	3		
009Z			D00811	DED		31-51-11		D00819	REF		N2			
01A	24	PK	D04349J	43		31-51-33		D01489	49		N2	2		
10	22	PA	D00819	14		31-51-11		GDX0001	D..	2	N2	2		
11	24	PK	D01433	51		31-51-11		SM00022		W	N2	1		

286T0045-308
Wire Bundle Assembly
Figure 111 (Sheet 1)

25-71-02



BOEING
COMPONENT
MAINTENANCE MANUAL

WIRE			FROM EQUIPMENT				TO EQUIPMENT				WIRE INFO			
NUMBER	GA	TYP	NUMBER	TERM	TT	WDM REF	NUMBER	TERM	TT	EMC/SEP	FT	NOTES	EFFECTIVITY	
12	24	FV	SM00018		W	31-51-11	D01433	27		N2	1			
012Z			SM00018	REF		31-51-11	D01433	REF		N2				
13	24	PV	SM00047		W	31-51-11	D01433	32		N2	1			
013Z			SM00047	REF		31-51-11	D01433	REF		N2				
14	24	FV	SM00049		W	31-51-11	D01433	17		N2	1			
014Z			SM00049	REF		31-51-11	D01433	REF		N2				
15	22	PA	D01433	14		31-51-11	GDX0001	D..	2	N2	2			
16	20	PA	SM00028		W	31-51-11	GDX0005	D..	2	N2	2			
17	20	PA	GDX0002	S..	2	31-51-11	D00821	REF		N2	2			
18	20	PA	GDX0005	S..	2	31-51-11	D00819	REF		N2	2			
19	20	PA	D01433	REF		31-51-11	GDX0002	S..	2	N2	2			
20	20	PA	GDX0005	D..	2	31-51-11	SM00029		W	N2	2			
21	20	PA	GDX0002	S..	2	31-51-11	D01503	REF		N2	2			
23	20	PA	D00815	REF		31-51-11	GDX0002	S..	2	N2	2			
24	24	PK	D04349J	38		31-51-11	SM00005		W	N2	1			
25	24	PK	D01503	A2		31-51-11	SM00005		W	N2	1			
26	20	PA	D01503	A3		31-51-11	GDX0003	D..	2	N2	2			
27	22	PQ	D01503	X2		31-51-11	D00811	75		N2	4			
027Z			D00811	DED		31-51-11	D01503	REF		N2				
28	24	FV	D01503	X1		31-51-11	SM00015		W	N2	1			
028Z			SM00015	REF		31-51-11	D01503	REF		N2	2			
29	24	FV	D00811	46		31-51-11	SM00015		W	N2	2			
029Z			SM00015	REF		31-51-11	D00811	DED		N2				
30	24	PK	SM00015		W	31-51-11	D11553	35		N2	1			
32	20	PA	D11553	11		31-51-11	GDX0003	D..	2	N2	2			
33	24	PK	D11553	37		31-51-11	D00811	34		N2	4			
34	24	PK	D11553	36		31-51-11	D00811	33		N2	4			
35	22	PA	D00815	14		31-51-11	GDX0001	D..	2	N2	2			
36	24	FV	D00815	27		31-51-11	D00811	12		N2	3			
036Z			D00811	DED		31-51-11	D00815	REF		N2				
37	24	FV	D00815	32		31-51-11	D00811	17		N2	3			
037Z			D00811	DED		31-51-11	D00815	REF		N2				
38	24	FV	D00815	17		31-51-11	D00811	22		N2	3			

286T0045-308
Wire Bundle Assembly
Figure 111 (Sheet 2)

25-71-02

TESTING & TROUBLE SHOOTING
01 Page 147
Nov 01/02

WIRE			FROM EQUIPMENT			TO EQUIPMENT			WIRE INFO				
NUMBER	GA	TYP	NUMBER	TERM	TT	WDM REF	NUMBER	TERM	TT	EMC/SEP	FT	NOTES	EFFECTIVITY
038Z			D00811	DED		31-51-11	D00815	REF		N2			
39	24	PK	D00815	54		31-51-11	SM00020		W	N2	1		
40	24	PK	D00811	63		31-51-11	SM00020		W	N2	2		
41	24	PK	D00823	35		31-51-11	SM00020		W	N2	1		
42	24	PK	D01381	35		31-51-11	SM00020		W	N2	1		
45	22	PA	D01381	14		31-51-11	GDX0001	D..	2	N2	2		
46	22	PA	D01381	48		31-51-11	GDX0003	D..	2	N2	2		
47	24	PV	D01381	27		31-51-11	D00811	11		N2	3		
047Z			D00811	DED		31-51-11	D01381	REF		N2			
48	24	PV	D01381	32		31-51-11	D00811	16		N2	3		
048Z			D00811	DED		31-51-11	D01381	REF		N2			
49	24	PV	D01381	17		31-51-11	D00811	21		N2	3		
049Z			D00811	DED		31-51-11	D01381	REF		N2			
52	22	PA	D00823	14		31-51-11	GDX0001	D..	2	N2	2		
53	22	PA	D00823	48		31-51-11	GDX0003	D..	2	N2	2		
54	24	PV	D00823	27		31-51-11	D00811	10		N2	3		
054Z			D00811	DED		31-51-11	D00823	REF		N2			
55	24	PV	D00823	32		31-51-11	D00811	15		N2	3		
055Z			D00811	DED		31-51-11	D00823	REF		N2			
56	24	PV	D00823	17		31-51-11	D00811	20		N2	3		
056Z			D00811	DED		31-51-11	D00823	REF		N2			
57	22	PA	D00817	14		31-51-11	GDX0002	D..	2	N2	2		
58	24	PV	D00817	27		31-51-11	D00811	51		N2	3		
058Z			D00811	DED		31-51-11	D00817	REF		N2			
59	24	PV	D00817	32		31-51-11	D00811	74		N2	3		
059Z			D00811	DED		31-51-11	D00817	REF		N2			
60	24	PK	D00817	45		31-51-11	SM00021		W	N2	1		
61	24	PK	D00811	64		31-51-11	SM00021		W	N2	2		
62	24	PK	D01489	16		31-51-11	SM00021		W	N2	1		
63	24	PK	D01487	45		31-51-11	SM00021		W	N2	1		
64	24	PV	D01487	27		31-51-11	D00811	47		N2	3		
064Z			D00811	DED		31-51-11	D01487	REF		N2			
65	24	PV	D01487	32		31-51-11	D00811	70		N2	3		

286T0045-308
Wire Bundle Assembly
Figure 111 (Sheet 3)

25-71-02



BOEING
COMPONENT
MAINTENANCE MANUAL

WIRE			FROM EQUIPMENT			TO EQUIPMENT			WIRE INFO				
NUMBER	GA	TYP	NUMBER	TERM	TT	WDM REF	NUMBER	TERM	TT	EMC/SEP	FT	NOTES	EFFECTIVITY
065Z			D00811	DED		31-51-11	D01487	REF		N2			
66	22	PA	D01487	14		31-51-11	GDX0003	D..	2	N2	2		
67	24	PV	D01489	27		31-51-11	D00811	45		N2	3		
067Z			D00811	DED		31-51-11	D01489	REF		N2			
68	24	PV	D01489	32		31-51-11	D00811	50		N2	3		
068Z			D00811	DED		31-51-11	D01489	REF		N2			
69	24	PV	D01489	17		31-51-11	D00811	36		N2	3		
069Z			D00811	DED		31-51-11	D01489	REF		N2			
70	22	PA	D01489	14		31-51-11	GDX0003	D..	2	N2	2		
71	20	PA	D01381	REF		31-51-11	GDX0002	S..	2	N2	2		
72	20	PA	D00823	REF		31-51-11	GDX0002	S..	2	N2	2		
73	20	PA	D00817	REF		31-51-11	GDX0002	S..	2	N2	2		
74	20	PA	SM00026		W	31-51-11	GDX0005	D..	2	N2	2		
75	20	PA	D01487	REF		31-51-11	GDX0005	S..	2	N2	2		
76	20	PA	GDX0005	S..	2	31-51-11	D01489	REF		N2	2		
77	24	PK	D02261	40		31-41-35	D04349J	1		N2	2		
78	20	PA	SM00027		W	31-51-11	GDX0005	D..	2	N2	3	UAE-F2	
79	22	PA	D00813	60		31-51-12	GDX0002	S..	2	N2	2		
80	22	PA	D00821	15		31-51-12	GDX0002	D..	2	N2	2		
81	24	PV	D00821	30		31-51-12	D00813	26		N2	3		
081Z			D00821	REF		31-51-12	D00813	DED		N2			
82	24	PV	D00821	33		31-51-12	D00813	49		N2	3		
082Z			D00821	REF		31-51-12	D00813	DED		N2			
83	24	PV	D00821	24		31-51-12	D00813	35		N2	3		
083Z			D00821	REF		31-51-12	D00813	DED		N2			
84	24	PK	D00821	19		31-51-12	SM00025		W	N2	1		
85	24	PK	D00813	65		31-51-12	SM00025		W	N2	2		
86	24	PK	D00819	3		31-51-12	SM00025		W	N2	1		
87	24	PK	D01433	18		31-51-12	SM00025		W	N2	1		
88	22	PA	D01433	15		31-51-12	GDX0002	D..	2	N2	2		
89	24	PV	D01433	30		31-51-12	SM00054		W	N2	1		
089Z			SM00054	REF		31-51-12	D01433	REF		N2			
90	24	PV	D01433	33		31-51-12	SM00055		W	N2	1		

286T0045-308
Wire Bundle Assembly
Figure 111 (Sheet 4)

25-71-02

WIRE			FROM EQUIPMENT			TO EQUIPMENT			WIRE INFO				
NUMBER	GA	TYP	NUMBER	TERM	TT	WDM REF	NUMBER	TERM	TT	EMC/ SEP	FT	NOTES	EFFECTIVITY
090Z			SM00055	REF		31-51-12	D01433	REF		N2			
91	24	PV	D01433	24		31-51-12	SM00056		W	N2	1		
091Z			SM00056	REF		31-51-12	D01433	REF		N2			
92	22	PA	D00819	15		31-51-12	GDX0002	D..	2	N2	2		
93	24	PV	D00819	30		31-51-12	D00813	13		N2	3		
093Z			D00813	DED		31-51-12	D00819	REF		N2			
94	20	PA	SM00032		W	31-51-12	GDX0005	D..	2	N2			
95	24	PV	D01505	X2		31-51-12	D00813	75		N2	3		
095Z			D00813	DED		31-51-12	D01505	REF		N2			
96	24	PV	D01505	X1		31-51-12	SM00016		W	N2	1		
096Z			SM00016	REF		31-51-12	D01505	REF		N2			
97	24	PV	D00813	46		31-51-12	SM00016		W	N2	2		
097Z			SM00016	REF		31-51-12	D00813	DED		N2			
98	20	PA	SM00033		W	31-51-12	GDX0005	D..	2	N2			
99	24	PK	SM00016		W	31-51-12	D11553	25		N2	1		
100	20	PA	D11553	1		31-51-12	GDX0003	D..	2	N2	2		
101	20	PA	D00821	REF		31-51-12	GDX0004	S..	2	N2	2		
102	20	PA	D00819	REF		31-51-12	GDX0004	S..	2	N2	2		
103	20	PA	D01433	REF		31-51-12	GDX0004	S..	2	N2	2		
104	20	PA	D01505	REF		31-51-12	GDX0005	S..	2	N2	2		
106	20	PA	D00815	REF		31-51-12	GDX0004	S..	2	N2	2		
107	20	PA	D01381	REF		31-51-12	GDX0004	S..	2	N2	2		
109	20	PA	D00817	REF		31-51-12	GDX0004	S..	2	N2	2		
110	20	PA	D01487	REF		31-51-12	GDX0001	S..	2	N2	2		
111	20	PA	D01489	REF		31-51-12	GDX0001	S..	2	N2	2		
112	22	PA	D00815	15		31-51-12	GDX0001	D..	2	N2	2		
113	24	PK	D01505	A2		31-51-12	SM00005		W	N2	1		
114	20	PA	D01505	A3		31-51-12	GDX0003	D..	2	N2	2		
115	24	PK	D02261	21		21-61-51	D04347J	25		N2	2		
116	24	PK	D00815	21		31-51-12	SM00023		W	N2	1		
117	24	PK	D00813	63		31-51-12	SM00023		W	N2	2		
118	24	PK	D00823	1		31-51-12	SM00023		W	N2	1		
119	24	PK	D01381	1		31-51-12	SM00023		W	N2	1		

286T0045-308
Wire Bundle Assembly
Figure 111 (Sheet 5)

25-71-02



BOEING
COMPONENT
MAINTENANCE MANUAL

WIRE			FROM EQUIPMENT			TO EQUIPMENT			WIRE INFO				
NUMBER	GA	TYP	NUMBER	TERM	TT	WDM REF	NUMBER	TERM	TT	EMC/SEP	FT	NOTES	EFFECTIVITY
120	22	PA	D01381	15		31-51-12	GDX0001	D..	2	N2	2		
121	24	PK	D00817	56		31-51-12	SM00024		W	N2	1		
122	24	PK	D00813	64		31-51-12	SM00024		W	N2	2		
123	24	PK	D01487	56		31-51-12	SM00024		W	N2	1		
124	22	PA	D00823	15		31-51-12	GDX0001	D..	2	N2	2		
125	20	PA	D00823	REF		31-51-12	GDX0004	S..	2	N2	2		
126	24	PV	D00823	33		31-51-12	D00813	15		N2	3		
126Z			D00823	REF		31-51-12	D00813	DED		N2			
127	24	PV	D00823	24		31-51-12	D00813	20		N2	3		
127Z			D00823	REF		31-51-12	D00813	DED		N2			
128	22	PA	D00817	15		31-51-12	GDX0002	D..	2	N2	2		
129	24	PV	D00817	30		31-51-12	D00813	51		N2	3		
129Z			D00817	REF		31-51-12	D00813	DED		N2			
130	24	PV	D00817	33		31-51-12	D00813	74		N2	3		
130Z			D00817	REF		31-51-12	D00813	DED		N2			
131	24	PV	D00813	11		31-51-12	D01381	30		N2	3		
131Z			D01381	REF		31-51-12	D00813	DED		N2			
132	24	PV	D00813	16		31-51-12	D01381	33		N2	3		
132Z			D01381	REF		31-51-12	D00813	DED		N2			
133	24	PV	D01381	24		31-51-12	D00813	21		N2	3		
133Z			D01381	REF		31-51-12	D00813	DED		N2			
134	24	PK	D01489	50		31-51-12	SM00024		W	N2	1		
135	24	PV	D01487	30		31-51-12	D00813	47		N2	3		
135Z			D01487	REF		31-51-12	D00813	DED		N2			
136	24	PV	D01487	33		31-51-12	D00813	70		N2	3		
136Z			D01487	REF		31-51-12	D00813	DED		N2			
137	22	PA	D01487	15		31-51-12	GDX0003	D..	2	N2	2		
138	24	PV	D01489	30		31-51-12	D00813	45		N2	3		
138Z			D01489	REF		31-51-12	D00813	DED		N2			
139	24	PV	D01489	33		31-51-12	D00813	50		N2	3		
139Z			D01489	REF		31-51-12	D00813	DED		N2			
140	24	PV	D01489	24		31-51-12	D00813	36		N2	3		
140Z			D01489	REF		31-51-12	D00813	DED		N2			

286T0045-308
Wire Bundle Assembly
Figure 111 (Sheet 6)

25-71-02

WIRE			FROM EQUIPMENT			TO EQUIPMENT			WIRE INFO				
NUMBER	GA	TYP	NUMBER	TERM	TT	WDM REF	NUMBER	TERM	TT	EMC/SEP	FT	NOTES	EFFECTIVITY
141	22	PA	D01489	15		31-51-12	GDX0003	D..	2	N2	2		
142	24	PK	D00813	33		31-51-12	D11553	26		N2	3		
143	24	PK	D11553	27		31-51-12	D00813	34		N2	3		
144	24	PV	D00813	12		31-51-12	D00815	30		N2	3		
144Z			D00813	DED		31-51-12	D00815	REF		N2			
145	20	PA	SM00030		W	31-51-12	GDX0005	D..	2	N2			
146	24	PV	D00813	17		31-51-12	D00815	33		N2	3		
146Z			D00813	DED		31-51-12	D00815	REF		N2			
147	24	PV	D00813	22		31-51-12	D00815	24		N2	3		
147Z			D00813	DED		31-51-12	D00815	REF		N2			
148	24	PV	D00813	10		31-51-12	D00823	30		N2	3		
148Z			D00813	DED		31-51-12	D00823	REF		N2			
149	20	PA	SM00031		W	31-51-12	GDX0005	D..	2	N2			
150	22	PA	D04301J	6		27-32-11	D00823	34		N2	2		
151	24	PK	D04509J	1		27-32-11	D00823	39		N2	2		
152	24	PK	D04347J	26		27-32-11	D00823	40		N2	2		
153	24	PK	D00823	31		27-32-11	D04509J	6		N2	2		
154	20	PA	D04509J	7		27-32-11	GDX0001	D..	2	N2	2		
155	24	PK	SM00037		W	27-32-11	D04511J	3		N2	1		
156	24	PK	D00823	38		27-32-11	D04511J	2		N2	2		
157	24	PK	D04511J	4		27-32-11	SM00050		W	N2	1		
158	24	PK	SM00037		W	27-32-11	D00823	4		N2	1		
159	24	PK	D04349J	14		27-32-11	D00823	36		N2	1		
160	24	PK	D04349J	15		27-32-11	D00823	3		N2	1		
161	24	PK	D04349J	16		27-32-11	D00823	43		N2	1		
162	24	PK	D04349J	10		27-32-11	D00823	2		N2	1		
165	22	PA	D04349J	11		27-32-21	D01381	34		N2	2		
166	24	PK	D01381	40		27-32-21	D04349J	6		N2	2		
167	24	PK	D01381	31		27-32-21	D04511J	7		N2	2		
168	20	PA	GDX0002	D..	2	27-32-21	D04511J	8		N2	2		
169	24	PK	D04349J	34		27-32-21	D01381	36		N2	2		
170	24	PK	D04349J	35		27-32-21	D01381	3		N2	2		
171	24	PK	D04349J	36		27-32-21	D01381	43		N2	2		

286T0045-308

Wire Bundle Assembly
Figure 111 (Sheet 7)

25-71-02

TESTING & TROUBLE SHOOTING
01 Page 148D
Nov 01/02



BOEING
COMPONENT
MAINTENANCE MANUAL

WIRE			FROM EQUIPMENT			TO EQUIPMENT			WIRE INFO				
NUMBER	GA	TYP	NUMBER	TERM	TT	WDM REF	NUMBER	TERM	TT	EMC/SEP	FT	NOTES	EFFECTIVITY
172	24	PK	D04349J	37		27-32-21	D01381	2		N2	2		
173	24	PK	D04511J	13		27-32-21	D01381	4		N2	2		
174	24	PK	D04511J	16		27-32-21	D01381	37		N2	2		
175	24	PK	D04511J	15		27-32-21	D01381	38		N2	2		
176	24	PK	D04509J	8		27-32-21	D01381	39		N2	2		
177	24	PK	D00815	34		31-51-21	SM00057		W	N2	1		
178	24	PK	D00815	43		31-51-21	D01433	19		N2	2		
179	24	PK	D00815	10		31-51-21	D00819	5		N2	2		
180	24	PK	D04507J	5		31-51-21	SM00034		W	N2	1		
181	24	PK	SM00058		W	31-51-21	D00815	66		N2	1		
182	24	PK	D00815	4		31-51-21	SM00034		W	N2	1		
183	24	PK	D00815	11		31-51-21	D04349J	39		N2	2		
184	22	PA	D00815	37		31-51-21	SM00035		W	N2	1		
185	22	PA	D00815	42		31-51-21	SM00036		W	N2	1		
186	24	PK	D04349J	5		31-51-21	SM00012		W	N2	1		
187	24	PK	D00815	2		31-51-21	SM00012		W	N2	1		
188	24	PK	SM00011		W	31-51-21	D04349J	4		N2	1		
189	24	PK	SM00011		W	31-51-21	D00815	35		N2	1		
190	24	PK	D04349J	12		31-51-21	SM00009		W	N2	1		
191	24	PK	D00815	44		31-51-21	SM00009		W	N2	1		
192	24	PK	D04347J	10		31-51-21	SM00008		W	N2	1		
193	24	PK	D00815	1		31-51-21	SM00008		W	N2	1		
194	24	PK	D04347J	11		31-51-21	SM00010		W	N2	1		
195	24	PK	D00815	36		31-51-21	SM00010		W	N2	1		
196	24	PK	SM00039		W	31-51-21	D04347J	21		N2	1		
197	24	PK	D00815	45		31-51-21	SM00039		W	N2	1		
198	24	PK	D00815	46		31-51-21	D04347J	6		N2	2		
199	20	PA	GDX0004	S..	2	31-51-31	D04597J	14		N2	2		
201B	24	PW	D01489	43		31-51-33	SM00004		W	N2	1		
201R	24	PW	D01489	9		31-51-33	SM00003		W	N2			
201Z			D01489	DED		31-51-33	SM00003	REF		N2			
204	20	PA	D04507J	REF		27-32-11	GDX0004	S..	2	N2	2		
204B	24	PW	D00823	18		27-32-11	D04507J	12		N2	1		

286T0045-308
Wire Bundle Assembly
Figure 111 (Sheet 8)

25-71-02

WIRES			FROM EQUIPMENT			TO EQUIPMENT			WIRE INFO				
NUMBER	GA	TYP	NUMBER	TERM	TT	WDM REF	NUMBER	TERM	TT	EMC/SEP	FT	NOTES	EFFECTIVITY
204R	24	PW	D00823	16		27-32-11	D04507J	11		N2			
204Z			D00823	DED		27-32-11	D04507J	REF		N2			
205B	24	PW	D00815	19		31-51-21	SM00007		W	N2	1		
205R	24	PW	D00815	52		31-51-21	SM00006		W	N2			
205Z			D00815	DED		31-51-21	SM00006	REF		N2			
207	20	PA	D04597J	REF		31-51-21	GDX0004	S..	2	N2	2		
207B	24	PW	SM00007		W	31-51-21	D04597J	4		N2	1		
207R	24	PW	SM00006		W	31-51-21	D04597J	3		N2			
207Z			SM00006	REF		31-51-21	D04597J	REF		N2			
208	20	PA	D04301J	REF		34-16-11	GDX0002	S..	2	N2	2		
208B	24	PW	D00821	36		34-16-11	D04301J	9		N2	2		
208R	24	PW	D00821	2		34-16-11	D04301J	8		N2			
208Z			D00821	DED		34-16-11	D04301J	REF		N2			
209B	24	PW	D01489	46		31-51-33	SM00007		W	N2	1		
209R	24	PW	D01489	12		31-51-33	SM00006		W	N2			
209Z			D01489	DED		31-51-33	SM00006	REF		N2			
212B	24	PW	D01433	36		31-51-42	SM00007		W	N2	1		
212R	24	PW	D01433	2		31-51-42	SM00006		W	N2			
212Z			D01433	DED		31-51-42	SM00006	REF		N2			
213	20	PA	D04507J	REF		34-16-11	GDX0004	S..	2	N2	2		
213B	24	PW	D00821	35		34-16-11	D04507J	8		N2	2		
213R	24	PW	D00821	1		34-16-11	D04507J	9		N2			
213Z			D00821	DED		34-16-11	D04507J	REF		N2			
214	20	PA	D04349J	REF		34-16-11	GDX0004	S..	2	N2	2		
214B	24	PW	D00821	37		34-16-11	D04349J	19		N2	2		
214R	24	PW	D00821	3		34-16-11	D04349J	18		N2			
214Z			D00821	DED		34-16-11	D04349J	REF		N2			
215B	24	PL	D01487	24		31-51-31	D04597J	12		N2	2		
215R	24	PL	D01487	23		31-51-31	D04597J	13		N2			
216B	24	PL	D00817	24		31-51-32	D04303J	12		N2	2		
216R	24	PL	D00817	23		31-51-32	D04303J	11		N2			
221B	24	PW	D01489	45		31-51-33	SM00004		W	N2	1		
221R	24	PW	D01489	11		31-51-33	SM00003		W	N2			

286T0045-308
Wire Bundle Assembly
Figure 111 (Sheet 9)

25-71-02

TESTING & TROUBLE SHOOTING
01 Page 148F
Nov 01/02



BOEING
COMPONENT
MAINTENANCE MANUAL

WIRE			FROM EQUIPMENT			TO EQUIPMENT			WIRE INFO				
NUMBER	GA	TYP	NUMBER	TERM	TT	WDM REF	NUMBER	TERM	TT	EMC/SEP	FT	NOTES	EFFECTIVITY
221Z			D01489	DED		31-51-33	SM00003	REF		N2			
223B	24	PW	D00821	38		34-16-11	SM00004		W	N2	1		
223R	24	PW	D00821	4		34-16-11	SM00003		W	N2			
223Z			D00821	DED		34-16-11	SM00003	REF		N2			
224	20	PA	D04349J	REF		27-32-21	GDX0004	S..	2	N2	2		
224B	24	PW	D04349J	28		27-32-21	D01381	18		N2	2		
224R	24	PW	D04349J	27		27-32-21	D01381	16		N2			
224Z			D04349J	REF		27-32-21	D01381	DED		N2			
225B	22	PR	D00811	69		31-51-11	SM00060		W	N2	2		
225R	22	PR	D00811	68		31-51-11	SM00060		W	N2			
225Z			D00811	DED		31-51-11	SM00028	REF		N2			
226B	22	PR	D00813	69		31-51-12	SM00061		W	N2	2		
226R	22	PR	D00813	68		31-51-12	SM00061		W	N2			
226Z			D00813	DED		31-51-12	SM00030	REF		N2			
230	20	PA	D04347J	REF		31-51-33	GDX0003	S..	2	N2	2		
230B	24	PW	D04347J	18		31-51-33	SM00004		W	N2	1		
230R	24	PW	D04347J	17		31-51-33	SM00003		W	N2			
230Z			D04347J	REF		31-51-33	SM00003	REF		N2			
236	20	PA	D04347J	REF		27-32-11	GDX0001	S..	2	N2	2		
236B	24	PW	D04347J	37		27-32-11	D00823	54		N2	2		
236R	24	PW	D04347J	36		27-32-11	D00823	23		N2			
236Z			D04347J	REF		27-32-11	D00823	DED		N2			
237B	24	PW	D04347J	40		27-32-11	D00823	13		N2	2		
237R	24	PW	D04347J	39		27-32-11	D00823	12		N2			
237Z			D04347J	REF		27-32-11	D00823	DED		N2			
238	20	PA	D04349J	REF		27-32-21	GDX0001	S..	2	N2	2		
238B	24	PW	D04349J	49		27-32-21	D01381	54		N2	2		
238R	24	PW	D04349J	48		27-32-21	D01381	23		N2			
238Z			D04349J	REF		27-32-21	D01381	DED		N2			
239B	24	PW	D01381	20		27-32-21	D04349J	55		N2	2		
239R	24	PW	D01381	19		27-32-21	D04349J	54		N2			
239Z			D01381	DED		27-32-21	D04349J	REF		N2			
240B	24	PL	D04347J	23		31-51-31	SM00080		W	N2	1		

286T0045-308
Wire Bundle Assembly
Figure 111 (Sheet 10)

25-71-02

TESTING & TROUBLE SHOOTING
01 Page 148G
Nov 01/02

WIRE			FROM EQUIPMENT			TO EQUIPMENT			WIRE INFO		
NUMBER	GA	TYP	NUMBER	TERM TT	WDM REF	NUMBER	TERM TT	EMC/SEP	FT	NOTES	EFFECTIVITY
240R	24	PL	D04347J	22	31-51-31	SM00042		N2			
241B	24	PL	D01487	60	31-51-31	SM00080		N2	1		
241R	24	PL	D01487	28	31-51-31	SM00042		N2	1		
242B	24	PL	D00817	60	31-51-32	SM00080		N2	1		
242R	24	PL	D00817	28	31-51-32	SM00042		N2	2		
243B	24	PW	D04349J	52	27-32-21	D01381	13	N2			
243R	24	PW	D04349J	51	27-32-21	D01381	12	N2			
243Z			D04349J	REF	27-32-21	D01381	DED	N2			
245B	24	PW	D00823	20	27-32-11	D04347J	48	N2	2		
245R	24	PW	D00823	19	27-32-11	D04347J	47	N2			
245Z			D00823	DED	27-32-11	D04347J	REF	N2			
247	20	PA	D04349J	REF	31-41-35	GDX0006	S..	N2	2		
247B	24	PW	D02261	42	31-41-35	D04349J	57	N2	2		
247R	24	PW	D02261	43	31-41-35	D04349J	56	N2			
247Z			D02261	DED	31-41-35	D04349J	REF	N2			
248	20	PA	D04349J	REF	28-41-11	GDX0006	S..	N2	2		
248B	24	PW	D02261	5	28-41-11	D04349J	60	N2	2		
248R	24	PW	D02261	8	28-41-11	D04349J	59	N2			
248Z			D02261	DED	28-41-11	D04349J	REF	N2			
271B	24	PL	D04597J	5	31-51-31	SM00088		N2	1		
271R	24	PL	D04597J	2	31-51-31	SM00087		N2			
272B	24	PL	D01487	63	31-51-31	SM00088		N2	1		
272R	24	PL	D01487	62	31-51-31	SM00087		N2			
273B	24	PL	D00817	63	31-51-32	SM00088		N2	1		
273R	24	PL	D00817	62	31-51-32	SM00087		N2			
289	24	PK	D01489	21	31-51-33	D04509J	5	N2	2		
290B	24	PW	D04597J	8	34-43-15	SM00104		N2	1		
290R	24	PW	D04597J	7	34-43-15	SM00103		N2			
290Z			D04597J	9	34-43-15	SM00103	REF	N2			
291B	24	PW	D04303J	4	34-43-15	SM00104		N2	1		
291R	24	PW	D04303J	3	34-43-15	SM00103		N2			
291Z			D04303J	5	34-43-15	SM00103	REF	N2			
292B	24	PW	D04347J	53	34-43-15	SM00104		N2	1		

286T0045-308
Wire Bundle Assembly
Figure 111 (Sheet 11)

25-71-02



BOEING
COMPONENT
MAINTENANCE MANUAL

WIRE			FROM EQUIPMENT			TO EQUIPMENT			WIRE INFO			
NUMBER	GA	TYP	NUMBER	TERM TT	WDM REF	NUMBER	TERM TT	EMC/SEP	FT	NOTES	EFFECTIVITY	
292R	24	PW	D04347J	51	34-43-15	SM00103		N2				
292Z			D04347J	61	34-43-15	SM00103	REF	N2				
301	20	PA	SM00028	REF	31-51-11	GDX0005	S..	N2	1			
301B	22	PS	D00811	57	31-51-11	SM00028		N2	2			
301R	22	PS	D00811	38	31-51-11	SM00028		N2				
301Y	22	PS	D00811	58	31-51-11	SM00028		N2				
301Z			D00811	DED	31-51-11	SM00028	REF	N2				
302B	22	PS	D00811	42	31-51-11	SM00029		N2	2			
302R	22	PS	D00811	41	31-51-11	SM00029		N2				
302Y	22	PS	D00811	43	31-51-11	SM00029		N2				
302Z			D00811	DED	31-51-11	SM00028	REF	N2				
303B	22	PS	D00811	8	31-51-11	SM00026		N2	2			
303R	22	PS	D00811	7	31-51-11	SM00026		N2				
303Y	22	PS	D00811	9	31-51-11	SM00026		N2				
303Z			D00811	DED	31-51-11	SM00028	REF	N2				
304B	22	PS	D00811	25	31-51-11	SM00027		N2	2			
304R	22	PS	D00811	24	31-51-11	SM00027		N2				
304Y	22	PS	D00811	37	31-51-11	SM00027		N2				
304Z			D00811	DED	31-51-11	SM00028	REF	N2				
305	20	PA	SM00030	REF	31-51-12	GDX0005	S..	N2	1			
305B	22	PS	D00813	8	31-51-12	SM00030		N2	2			
305R	22	PS	D00813	7	31-51-12	SM00030		N2				
305Y	22	PS	D00813	9	31-51-12	SM00030		N2				
305Z			D00813	DED	31-51-12	SM00030	REF	N2				
306B	22	PS	D00813	25	31-51-12	SM00031		N2	2			
306R	22	PS	D00813	24	31-51-12	SM00031		N2				
306Y	22	PS	D00813	37	31-51-12	SM00031		N2				
306Z			D00813	DED	31-51-12	SM00030	REF	N2				
307B	22	PS	D00813	57	31-51-12	SM00032		N2	2			
307R	22	PS	D00813	38	31-51-12	SM00032		N2				
307Y	22	PS	D00813	58	31-51-12	SM00032		N2				
307Z			D00813	DED	31-51-12	SM00030	REF	N2				
308B	22	PS	D00813	42	31-51-12	SM00033		N2	2			

286T0045-308
Wire Bundle Assembly
Figure 111 (Sheet 12)

25-71-02

WIRE			FROM EQUIPMENT			TO EQUIPMENT			WIRE INFO				
NUMBER	GA	TYP	NUMBER	TERM	TT	WDM REF	NUMBER	TERM	TT	EMC/SEP	FT	NOTES	EFFECTIVITY
308R	22	PS	D00813	41		31-51-12	SM00033		W	N2			
308Y	22	PS	D00813	43		31-51-12	SM00033		W	N2			
308Z			D00813	DED		31-51-12	SM00030	REF		N2			
512	24	PK	D02261	20		27-81-31	D04349J	8		N2	2		
601	20	PA	SM00060		W	31-51-11	GDX0004	D..	2	N2			
602	20	PA	SM00061		W	31-51-12	GDX0005	D..	2	N2			
603	24	PV	D04301J	5		31-51-12	M01103	INE	D	N2	1		
603Z			D04301J	DED		31-51-12	M01103			N2			
604	24	PV	D04301J	4		31-51-12	D00813	4		N2	3		
604Z			D04301J	DED		31-51-12	D00813	REF		N2			
605	24	PV	D00813	1		31-51-12	M01103	OAD	D	N2	3		
605Z			D00813	REF		31-51-12	M01103	DED		N2			
606	24	PV	D04349J	32		31-51-11	M01102	INE	D	N2	1		
606Z			D04349J	DED		31-51-11	M01102			N2			
607	24	PV	D04349J	33		31-51-11	D00811	4		N2	3		
607Z			D04349J	DED		31-51-11	D00811	REF		N2			
608	24	PV	D00811	1		31-51-11	M01102	OAD	D	N2	3		
608Z			D00811	REF		31-51-11	M01102	DED		N2			
610	24	PK	D00823	37		27-32-11	SM00050		W	N2	1		
611	24	PK	D01433	6		31-51-42	D04347J	20		N2	2		
612	24	PK	D01433	4		31-51-42	SM00050		W	N2	1		
613	24	PK	D04349J	30		31-51-31	SM00065		W	N2	1		
614	24	PK	D01487	52		31-51-31	SM00065		W	N2	1		
615	24	PK	D00817	52		31-51-32	SM00065		W	N2	1		
617	24	PK	D01381	11		27-32-12	D00823	56		N2	1		
618	24	PK	D01381	56		27-32-12	D00823	11		N2	1		
619	24	PK	D00823	45		27-32-12	SM00082		W	N2	1		
620	24	PK	D04349J	29		31-51-21	SM00071		W	N2	1		
621	24	PK	D00815	7		31-51-21	SM00071		W	N2	1		
622	24	PK	D01489	2		31-51-33	SM00071		W	N2	1		
623	24	PK	D01489	36		31-51-33	SM00038		W	N2	1		
624	24	PK	D00815	8		31-51-21	SM00045		W	N2	1		
625	24	PK	D01487	9		31-51-31	SM00034		W	N2	1		

286T0045-308
Wire Bundle Assembly
Figure 111 (Sheet 13)

25-71-02



BOEING
COMPONENT
MAINTENANCE MANUAL

WIRE			FROM EQUIPMENT			TO EQUIPMENT			WIRE INFO				
NUMBER	GA.	TYP	NUMBER	TERM	TT	WDM REF	NUMBER	TERM	TT	EMC/SEP	FT	NOTES	EFFECTIVITY
628	22	PA	D01487	20		31-51-31	GDX0006	D..	2	N2	2		
630	22	PA	D01487	21		31-51-31	GDX0006	D..	2	N2	2		
631	24	PK	D00817	9		31-51-32	SM00034		W	N2	1		
634	22	PA	D00817	20		31-51-32	GDX0006	D..	2	N2	2		
636	22	PA	D00817	21		31-51-32	GDX0006	D..	2	N2	2		
644	22	PQ	D00823	66		27-32-31	D04347J	42		N2	2		
644Z			D00823	DED		27-32-31	D04347J	DED		N2			
646	22	PQ	D01381	66		27-32-31	D04349J	42		N2	2		
646Z			D01381	DED		27-32-31	D04349J	DED		N2			
681	24	PK	D01433	10		31-51-43	D04507J	10		N2	2		
682	24	PK	D01433	13		31-51-43	D04347J	46		N2	2		
683	22	PA	D01433	41		31-51-43	SM00081		W	N2	1		
684	20	PA	GDX0001	D..	2	31-51-43	D04349J	47		N2	2		
685	24	PK	D00823	58		27-32-12	D01505	A1		N2	2		
686	24	PK	D00823	8		27-32-11	SM00038		W	N2	1		
687	24	PK	D00823	64		27-32-11	SM00081		W	N2	1		
688	24	PK	D01381	58		27-32-22	D01503	A1		N2	2		
689	24	PK	D01381	45		27-32-22	SM00085		W	N2	1		
692	24	PK	D01381	8		27-32-21	SM00038		W	N2	1		
693	24	PK	D04347J	30		31-51-21	D00815	6		N2	2		
694	22	PA	D04349J	46		31-51-43	SM00081		W	N2	1		
696	20	PA	GDX0003	D..	2	27-32-12	SM00082		W	N2	1		
697	20	PA	GDX0003	D..	2	27-32-22	SM00085		W	N2	1		
701	24	PK	D00815	49		31-51-21	D00815	22		N2			
702	24	PK	D00815	16		31-51-21	D00815	48		N2			
703	24	PK	D00819	6		31-51-41	SM00019		W	N2	1		
704	24	PK	SM00075		W	31-51-41	D04511J	14		N2	1		
705	24	PK	D00819	45		31-51-41	D04511J	12		N2	2		
706	24	PK	D00819	10		31-51-41	D04349J	31		N2	2		
707	24	PK	D00819	21		31-51-41	D04509J	4		N2	2		
708	24	PK	D00819	9		31-51-41	D04349J	7		N2	2		
709	24	PK	D00819	39		31-51-41	SM00044		W	N2	1		
710	24	PK	D00819	43		31-51-41	SM00037		W	N2	1		

286T0045-308
Wire Bundle Assembly
Figure 111 (Sheet 14)

25-71-02

WIRE			FROM EQUIPMENT			TO EQUIPMENT			WIRE INFO				
NUMBER	GA	TYP	NUMBER	TERM	TT	WDM REF	NUMBER	TERM	TT	EMC/SEP	FT	NOTES	EFFECTIVITY
711	24	PK	D00819	12		31-51-41	D04349J	21		N2	2		
712	24	PK	D00819	53		31-51-41	D04349J	3		N2	2		
713	24	PK	D00819	20		31-51-41	D04347J	9		N2	2		
714	24	PK	D00819	44		31-51-41	D04349J	24		N2	2		
715	24	PK	D04507J	6		31-51-42	SM00019		W	N2	1		
716	24	PK	D01433	34		31-51-42	SM00019		W	N2	1		
717	24	PK	D01433	37		31-51-42	SM00034		W	N2	1		
718	24	PK	D01433	39		31-51-42	D04509J	2		N2	2		
720	24	PK	D01433	52		31-51-42	SM00040		W	N2	1		
721	24	PK	D01433	38		31-51-42	D04347J	24		N2	2		
722	24	PK	D01433	5		31-51-42	D04349J	22		N2	2		
723	24	PK	D04511J	11		31-51-42	SM00038		W	N2	1		
724	24	PK	D01433	40		31-51-42	SM00038		W	N2	1		
725	24	PK	D01433	3		31-51-42	D04347J	13		N2	2		
726	22	PA	D04347J	14		31-51-21	SM00036		W	N2	1		
727	22	PA	D04301J	11		31-51-21	SM00035		W	N2	1		
728	24	PK	D04347J	1		31-51-41	D00819	35		N2	2		
729	24	PK	D04347J	2		31-51-41	D00819	1		N2	2		
730	24	PK	D04347J	3		31-51-41	D00819	36		N2	2		
731	24	PK	D04347J	4		31-51-41	D00819	2		N2	2		
732	24	PK	D04347J	5		31-51-42	D01433	20		N2	2		
733	24	PK	D04347J	16		34-16-11	D00821	65		N2	2		
734	24	PK	D04347J	8		31-51-31	SM00046		W	N2	1		
735	24	PK	D04507J	7		34-16-11	D00821	34		N2	2		
736	24	PK	D04507J	2		34-16-11	D00821	66		N2	2		
737	24	PK	SM00041		W	34-16-11	D00821	31		N2	1		
738	24	PK	D04347J	19		34-16-11	D00821	7		N2	2		
739	24	PK	SM00075		W	34-16-11	D00821	6		N2	1		
740	24	PK	SM00038		W	34-16-11	D00821	40		N2	1		
741	24	PK	D00821	18		34-16-11	D00821	22		N2			
742	24	PK	D00821	50		34-16-11	D00821	48		N2			
746	24	PK	D04597J	10		31-51-31	SM00043		W	N2	1		
747	24	PK	D01487	46		31-51-31	SM00043		W	N2	1		

286T0045-308
Wire Bundle Assembly
Figure 111 (Sheet 15)

25-71-02



BOEING
COMPONENT
MAINTENANCE MANUAL

WIRE			FROM EQUIPMENT			TO EQUIPMENT			WIRE INFO		
NUMBER	GA	TYP	NUMBER	TERM TT	WDM REF	NUMBER	TERM TT	EMC/ SEP	FT	NOTES	EFFECTIVITY
748	24	PK	D04347J	7	31-51-31	SM00045	W	N2	1		
749	24	PK	D01487	10	31-51-31	SM00045	W	N2	1		
750	24	PK	D01487	19	31-51-31	SM00046	W	N2	1		
751	24	PK	D01487	13	31-51-31	SM00040	W	N2	1		
752	24	PK	D01487	47	31-51-31	SM00044	W	N2	1		
753	24	PK	D01487	51	31-51-31	SM00041	W	N2	1		
755	24	PV	D01487	1	31-51-31	SM00035	W	N2	1		
755Z			D01487	DED	31-51-31	SM00035	DED	N2			
756	24	PK	D01487	50	31-51-31	SM00036	W	N2	1		
757	24	PK	D01487	11	31-51-31	SM00039	W	N2	1		
758	24	PK	D01487	22	31-51-31	D01489	23	N2	2		
759	24	PK	D01487	55	31-51-31	D01489	47	N2	2		
760	24	PK	D01487	34	31-51-31	D01489	51	N2	2		
761	24	PK	D01487	66	31-51-31	D01489	57	N2	2		
762	24	PK	D00817	10	31-51-32	SM00045	W	N2	1		
763	24	PK	D00817	46	31-51-32	SM00043	W	N2	1		
764	24	PV	D00817	1	31-51-32	SM00035	W	N2	1		
764Z			D00817	DED	31-51-32	SM00035	DED	N2			
765	24	PK	D00817	50	31-51-32	SM00036	W	N2	1		
766	24	PV	D00817	11	31-51-32	SM00053	W	N2	1		
766Z			D00817	DED	31-51-32	SM00053	DED	N2			
767	24	PK	D00817	19	31-51-32	SM00046	W	N2	1		
768	24	PK	D00817	13	31-51-32	SM00040	W	N2	1		
769	24	PK	D00817	47	31-51-32	SM00044	W	N2	1		
770	24	PK	D00817	51	31-51-32	SM00041	W	N2	1		
772	24	PK	D00817	22	31-51-32	D01489	54	N2	2		
773	24	PK	D00817	55	31-51-32	D01489	13	N2	2		
774	24	PK	D00817	34	31-51-32	D01489	25	N2	2		
775	24	PK	D00817	66	31-51-32	D01489	58	N2	2		
776	24	PK	D01489	42	31-51-33	D04347J	15	N2	2		
777	24	PK	D01489	8	31-51-33	D04349J	13	N2	2		
779	24	PK	D01489	35	31-51-33	D04349J	40	N2	2		
780	24	PK	D01489	53	31-51-33	D04349J	2	N2	2		

286T0045-308
Wire Bundle Assembly
Figure 111 (Sheet 16)

25-71-02

WIRE			FROM EQUIPMENT			TO EQUIPMENT			WIRE INFO				
NUMBER	GA	TYP	NUMBER	TERM	TT	WDM REF	NUMBER	TERM	TT	EMC/SEP	FT	NOTES	EFFECTIVITY
781	24	PK	D01489	31		31-51-33	D01489	48		N2			
782	24	PK	D01489	18		31-51-33	D01489	22		N2			
783	24	PK	D01489	38		31-51-33	SM00008		W	N2	1		
784	24	PK	D01489	4		31-51-33	SM00011		W	N2	1		
785	24	PK	D01489	37		31-51-33	SM00012		W	N2	1		
786	24	PK	D01489	3		31-51-33	SM00010		W	N2	1		
787	24	PK	D01489	1		31-51-33	SM00009		W	N2	1		
788	24	PK	D01489	6		31-51-33	SM00034		W	N2	1		
789	24	PK	D01489	41		31-51-33	D04509J	11		N2	2		
791	24	PK	D01489	7		31-51-33	D04509J	10		N2	2		
792	24	PK	D01489	40		31-51-33	D04509J	9		N2	2		
793	24	PK	D00819	11		31-51-41	SM00075		W	N2	1		
794	20	PA	D04303J	10		31-51-32	GDX0004	S..	2	N2	2		
795	24	PK	D01433	9		31-51-42	D01433	48		N2			
796	24	PK	D01433	22		31-51-42	D01433	50		N2			
797	24	PV	D00815	41		31-51-21	SM00053		W	N2	1		
797Z			D00815	DED		31-51-21	SM00053	DED		N2			
798	24	PV	D04349J	9		31-51-21	SM00053		W	N2	1		
798Z			D04349J	DED		31-51-21	SM00053	DED		N2			
817	24	PK	D00823	55		27-32-12	D11553	6		N2	2		
818	24	PK	D00823	21		27-32-12	D11553	4		N2	2		
819	24	PK	D00823	51		27-32-12	D11553	3		N2	2		
820	24	PK	D00823	50		27-32-12	D11553	2		N2	2		
821	24	PK	D00823	49		27-32-12	D11553	7		N2	2		
822	24	PK	D00823	47		27-32-12	D11553	8		N2	2		
823	24	PK	D00823	46		27-32-12	D11553	9		N2	2		
824	24	PK	D00823	53		27-32-12	D11553	5		N2	2		
825	24	PK	D00823	62		27-32-12	D11553	24		N2	2		
826	24	PK	D01381	55		27-32-22	D11553	16		N2	2		
827	24	PK	D01381	21		27-32-22	D11553	14		N2	2		
828	24	PK	D01381	51		27-32-22	D11553	13		N2	2		
829	24	PK	D01381	50		27-32-22	D11553	12		N2	2		
830	24	PK	D01381	49		27-32-22	D11553	17		N2	2		

286T0045-308
Wire Bundle Assembly
Figure 111 (Sheet 17)

25-71-02



BOEING
COMPONENT
MAINTENANCE MANUAL

WIRE		FROM EQUIPMENT			TO EQUIPMENT			WIRE INFO					
NUMBER	GA	TYP	NUMBER	TERM	TT	WDM REF	NUMBER	TERM	TT	EMC/SEP	FT	NOTES	EFFECTIVITY
831	24	PK	D01381	47		27-32-22	D11553	18		N2	2		
832	24	PK	D01381	46		27-32-22	D11553	19		N2	2		
833	24	PK	D01381	53		27-32-22	D11553	15		N2	2		
834	24	PK	D01381	62		27-32-22	D11553	34		N2	2		
835	24	PK	D04349J	50		27-32-21	D01381	64		N2	2		
836	20	PA	D04349J	53		27-32-21	GDX0002	S..	2	N2	2		
837	24	PK	D00823	42		27-32-12	SM00082		W	N2	1		
838	24	PK	D01381	42		27-32-22	SM00085		W	N2	1		
842	24	PK	D01381	6		27-32-22	SM00085		W	N2	1		
843	24	PK	D00823	6		27-32-12	SM00082		W	N2	1		
862	22	PA	D02261	30		31-41-35	GDX0006	S..	2	N2	1		
863	22	PA	D02261	32		31-41-35	GDX0006	S..	2	N2	1		
864	22	PA	D02261	33		31-41-35	GDX0006	S..	2	N2	1		
865	22	PA	D02261	64		31-41-35	GDX0006	S..	2	N2	1		
866	24	PV	D02261	27		31-51-11	SM00018		W	N2	1		
866Z			D02261	DED		31-51-11	SM00018	REF		N2	1		
867	24	PV	D02261	28		31-51-11	SM00047		W	N2	1		
867Z			D02261	DED		31-51-11	SM00047	REF		N2	1		
868	24	PV	D02261	29		31-51-12	SM00054		W	N2	1		
868Z			D02261	DED		31-51-12	SM00054	REF		N2	1		
869	24	PK	D02261	34		31-51-12	SM00035		W	N2	1		
870	22	PA	D02261	56		31-51-12	GDX0001	S..	2	N2	2		
871	22	PA	D02261	57		31-51-12	GDX0003	S..	2	N2	2		
872	22	PA	D02261	59		31-51-11	GDX0005	S..	2	N2	1		
873	24	PV	D02261	60		31-51-12	SM00055		W	N2	1		
873Z			D02261	DED		31-51-12	SM00055	REF		N2	1		
874	24	PV	D02261	62		31-51-11	SM00049		W	N2	1		
874Z			D02261	DED		31-51-11	SM00049	REF		N2	1		
875	24	PV	D02261	63		31-51-12	SM00056		W	N2	1		
875Z			D02261	DED		31-51-12	SM00056	REF		N2	1		
876	24	PK	D02261	65		31-51-11	SM00022		W	N2	1		
877	24	PV	D00811	14		31-51-11	SM00018		W	N2	2		
877Z			D00811	DED		31-51-11	SM00018	REF		N2	2		

286T0045-308
Wire Bundle Assembly
Figure 111 (Sheet 18)

25-71-02

WIRE			FROM EQUIPMENT			TO EQUIPMENT			WIRE INFO				
NUMBER	GA	TYP	NUMBER	TERM	TT	WDM REF	NUMBER	TERM	TT	EMC/SEP	FT	NOTES	EFFECTIVITY
878	24	PV	D00811	48		31-51-11	SM00047		W	N2	2		
878Z			D00811	DED		31-51-11	SM00047	REF		N2			
879	24	PV	D00811	23		31-51-11	SM00049		W	N2	2		
879Z			D00811	DED		31-51-11	SM00049	REF		N2			
880	24	PV	D00813	14		31-51-12	SM00054		W	N2	2		
880Z			D00813	DED		31-51-12	SM00054	REF		N2			
881	24	PV	D00813	48		31-51-12	SM00055		W	N2	2		
881Z			D00813	DED		31-51-12	SM00055	REF		N2			
882	24	PV	D00813	23		31-51-12	SM00056		W	N2	2		
882Z			D00813	DED		31-51-12	SM00056	REF		N2			
883	22	PA	D02261	15		38-32-11	D04349J	26		N2	2		
884	22	PA	D02261	47		38-32-11	D04347J	27		N2	2		
885	24	PK	D04303J	9		31-51-21	SM00057		W	N2	1		
886	24	PK	D04507J	3		31-51-21	SM00058		W	N2	1		
887	24	PK	D04507J	1		31-51-21	SM00058		W	N2	1		
888	24	PK	SM00057		W	31-51-21	D04349J	44		N2	1		

286T0045-308
Wire Bundle Assembly
Figure 111 (Sheet 19)

25-71-02



BOEING
COMPONENT
MAINTENANCE MANUAL

WIRE			FROM EQUIPMENT			TO EQUIPMENT			WIRE INFO			
NUMBER	GA	TYP	NUMBER	TERM	TT	NUMBER	TERM	TT	EMC/SEP	FT	NOTES	EFFECTIVITY
FRA			M01103			M01103	GND	D	N2			
FRB			D00813			D00813	59		N2			
FRC			M01102			M01102	GND	D	N2			
FRD			D00811			D00811	59		N2			
FRG			D04349J	58		D04349J			N2			
FRH			D04349J	61		D04349J			N2			
PA1			D00815	47		D00815	63		N2		DAW-B2	
PA2			D00817	8		D00817	57		N2		DAW-B2	
PA3			D00819	41		D00819	55		N2		DAW-B2	
PA4			D00821	43		D00821	60		N2		DAW-B2	
PA5			D00823	52		D00823	65		N2		DAW-B2	
PA6			D01433	44		D01433	61		N2		DAW-B2	
PA7			D01381	52		D01381	65		N2		DAW-B2	
PA8			D01487	8		D01487	57		N2		DAW-B2	
PA9			D01489	56		D01489	65		N2		DAW-B2	
PB4			D02261	54		D02261	61		N2		DAW-B2	
P01		SE	D11553						N2			
1	22	PA	D00811	60		GDX0001	S..	2	N2	3		
2	22	PA	D00821	14		GDX0002	D..	2	N2	2		
3	24	PV	D00811	26		D00821	27		N2	3		
003Z			D00811	DED		D00821			N2			
4	24	PV	D00811	49		D00821	32		N2	3		
004Z			D00811	DED		D00821			N2			
5	24	PV	D00811	35		D00821	17		N2	3		
005Z			D00811	DED		D00821			N2			
6	24	PK	SM00022		W	D00821	51		N2	1		
7	24	PK	D00811	65		SM00022			N2	2		
8	24	PK	D00819	37		SM00022			N2	1		
9	24	PV	D00819	27		D00811	13		N2	3		
009Z			D00811	DED		D00819			N2			
01A	24	PK	D04349J	43		D01489	49		N2	2		
10	22	PA	D00819	14		GDX0001	D..	2	N2	2		
11	24	PK	D01433	51		SM00022			N2	1		

286T0045-309
Wire Bundle Assembly
Figure 112 (Sheet 1)

25-71-02

WIRE		FROM EQUIPMENT			TO EQUIPMENT			WIRE INFO					
NUMBER	GA	TYP	NUMBER	TERM	TT	WDM REF	NUMBER	TERM	TT	EMC/SEP	FT	NOTES	EFFECTIVITY
12	24	PV	SM00018		W	31-51-11	D01433	27		N2	1		
012Z			SM00018	REF		31-51-11	D01433			N2			
13	24	PV	SM00047		W	31-51-11	D01433	32		N2	1		
013Z			SM00047	REF		31-51-11	D01433			N2			
14	24	PV	SM00049		W	31-51-11	D01433	17		N2	1		
014Z			SM00049	REF		31-51-11	D01433			N2			
15	22	PA	D01433	14	W	31-51-11	GDX0001	D..	2	N2	2		
16	20	PA	SM00028			31-51-11	GDX0005	D..	2	N2	2		
17	20	UA	GDX0002	S..	2	31-51-11	D00821			N2	2		
18	20	UA	GDX0005	S..	2	31-51-11	D00819			N2	2		
19	20	UA	D01433			31-51-11	GDX0002	S..	2	N2	2		
20	20	PA	GDX0005	D..	2	31-51-11	SM00029		W	N2	2		
21	20	UA	GDX0002	S..	2	31-51-11	D01503			N2	2		
23	20	UA	D00815			31-51-11	GDX0002	S..	2	N2	2		
24	24	PK	D04349J	38		31-51-11	SM00005		W	N2	1		
25	24	PK	D01503	A2		31-51-11	SM00005		W	N2	1		
26	20	PA	D01503	A3		31-51-11	GDX0003	D..	2	N2	2		
27	22	PQ	D01503	X2		31-51-11	D00811	75		N2	4		
027Z			D00811	DED		31-51-11	D01503			N2			
28	24	PV	D01503	X1		31-51-11	SM00015		W	N2	1		
028Z			SM00015	REF		31-51-11	D01503			N2			
29	24	PV	D00811	46		31-51-11	SM00015		W	N2	2		
029Z			SM00015	REF		31-51-11	D00811	DED		N2			
30	24	PK	SM00015		W	31-51-11	D11553	35		N2	1		
32	20	PA	D11553	11		31-51-11	GDX0003	D..	2	N2	2		
33	24	PK	D11553	37		31-51-11	D00811	34		N2	4		
34	24	PK	D11553	36		31-51-11	D00811	33		N2	4		
35	22	PA	D00815	14		31-51-11	GDX0001	D..	2	N2	2		
36	24	PV	D00815	27		31-51-11	D00811	12		N2	3		
036Z			D00811	DED		31-51-11	D00815			N2			
37	24	PV	D00815	32		31-51-11	D00811	17		N2	3		
037Z			D00811	DED		31-51-11	D00815			N2			
38	24	PV	D00815	17		31-51-11	D00811	22		N2	3		

286T0045-309
Wire Bundle Assembly
Figure 112 (Sheet 2)

25-71-02



BOEING
COMPONENT
MAINTENANCE MANUAL

WIRE			FROM EQUIPMENT			TO EQUIPMENT			WIRE INFO				
NUMBER	GA	TYP	NUMBER	TERM	TT	WDM REF	NUMBER	TERM	TT	EMC/SEP	FT	NOTES	EFFECTIVITY
038Z			D00811	DED		31-51-11	D00815			N2			
39	24	PK	D00815	54		31-51-11	SM00020		W	N2	1		
40	24	PK	D00811	63		31-51-11	SM00020		W	N2	2		
41	24	PK	D00823	35		31-51-11	SM00020		W	N2	1		
42	24	PK	D01381	35		31-51-11	SM00020		W	N2	1		
45	22	PA	D01381	14		31-51-11	GDX0001	D..	2	N2	2		
46	22	PA	D01381	48		31-51-11	GDX0003	D..	2	N2	2		
47	24	PV	D01381	27		31-51-11	D00811	11		N2	3		
047Z			D00811	DED		31-51-11	D01381			N2			
48	24	PV	D01381	32		31-51-11	D00811	16		N2	3		
048Z			D00811	DED		31-51-11	D01381			N2			
49	24	PV	D01381	17		31-51-11	D00811	21		N2	3		
049Z			D00811	DED		31-51-11	D01381			N2			
52	22	PA	D00823	14		31-51-11	GDX0001	D..	2	N2	2		
53	22	PA	D00823	48		31-51-11	GDX0003	D..	2	N2	2		
54	24	PV	D00823	27		31-51-11	D00811	10		N2	3		
054Z			D00811	DED		31-51-11	D00823			N2			
55	24	PV	D00823	32		31-51-11	D00811	15		N2	3		
055Z			D00811	DED		31-51-11	D00823			N2			
56	24	PV	D00823	17		31-51-11	D00811	20		N2	3		
056Z			D00811	DED		31-51-11	D00823			N2			
57	22	PA	D00817	14		31-51-11	GDX0002	D..	2	N2	2		
58	24	PV	D00817	27		31-51-11	D00811	51		N2	3		
058Z			D00811	DED		31-51-11	D00817			N2			
59	24	PV	D00817	32		31-51-11	D00811	74		N2	3		
059Z			D00811	DED		31-51-11	D00817			N2			
60	24	PK	D00817	45		31-51-11	SM00021		W	N2	1		
61	24	PK	D00811	64		31-51-11	SM00021		W	N2	2		
62	24	PK	D01489	16		31-51-11	SM00021		W	N2	1		
63	24	PK	D01487	45		31-51-11	SM00021		W	N2	1		
64	24	PV	D01487	27		31-51-11	D00811	47		N2	3		
064Z			D00811	DED		31-51-11	D01487			N2			
65	24	PV	D01487	32		31-51-11	D00811	70		N2	3		

286T0045-309
Wire Bundle Assembly
Figure 112 (Sheet 3)

25-71-02

TESTING & TROUBLE SHOOTING

01

Page 148S

Nov 01/02

WIRE			FROM EQUIPMENT			TO EQUIPMENT			WIRE INFO				
NUMBER	GA	TYP	NUMBER	TERM	TT	WDM REF	NUMBER	TERM	TT	EMC/ SEP	FT	NOTES	EFFECTIVITY
065Z			D00811	DED		31-51-11	D01487			N2			
66	22	PA	D01487	14		31-51-11	GDX0003	D..	2	N2	2		
67	24	PV	D01489	27		31-51-11	D00811	45		N2	3		
067Z			D00811	DED		31-51-11	D01489			N2			
68	24	PV	D01489	32		31-51-11	D00811	50		N2	3		
068Z			D00811	DED		31-51-11	D01489			N2			
69	24	PV	D01489	17		31-51-11	D00811	36		N2	3		
069Z			D00811	DED		31-51-11	D01489			N2			
70	22	PA	D01489	14		31-51-11	GDX0003	D..	2	N2	2		
71	20	UA	D01381			31-51-11	GDX0002	S..	2	N2	2		
72	20	UA	D00823			31-51-11	GDX0002	S..	2	N2	2		
73	20	UA	D00817			31-51-11	GDX0002	S..	2	N2	2		
74	20	PA	SM00026		W	31-51-11	GDX0005	D..	2	N2	2		
75	20	UA	D01487			31-51-11	GDX0005	S..	2	N2	2		
76	20	UA	GDX0005	S..	2	31-51-11	D01489			N2	2		
77	24	PK	D02261	40		31-41-35	D04349J	1		N2	2		
78	20	PA	SM00027		W	31-51-11	GDX0005	D..	2	N2			
79	22	PA	D00813	60		31-51-12	GDX0003	S..	2	N2	3		
80	22	PA	D00821	15		31-51-12	GDX0002	D..	2	N2	2		
81	24	PV	D00821	30		31-51-12	D00813	26		N2	3		
081Z			D00813	DED		31-51-12	D00821			N2			
82	24	PV	D00821	33		31-51-12	D00813	49		N2	3		
082Z			D00813	DED		31-51-12	D00821			N2			
83	24	PV	D00821	24		31-51-12	D00813	35		N2	3		
083Z			D00813	DED		31-51-12	D00821			N2			
84	24	PK	D00821	19		31-51-12	SM00025		W	N2	1		
85	24	PK	D00813	65		31-51-12	SM00025		W	N2	2		
86	24	PK	D00819	3		31-51-12	SM00025		W	N2	1		
87	24	PK	D01433	18		31-51-12	SM00025		W	N2	1		
88	22	PA	D01433	15		31-51-12	GDX0002	D..	2	N2	2		
89	24	PV	D01433	30		31-51-12	SM00054		W	N2	1		
089Z			SM00054	REF		31-51-12	D01433			N2			
90	24	PV	D01433	33		31-51-12	SM00055		W	N2	1		

286T0045-309
Wire Bundle Assembly
Figure 112 (Sheet 4)

25-71-02



BOEING
COMPONENT
MAINTENANCE MANUAL

WIRE		FROM EQUIPMENT			TO EQUIPMENT			WIRE INFO					
NUMBER	GA	TYP	NUMBER	TERM	TT	WDM REF	NUMBER	TERM	TT	EMC/SEP	FT	NOTES	EFFECTIVITY
090Z			SM00055	REF		31-51-12	D01433			N2			
91	24	PV	D01433	24		31-51-12	SM00056		W	N2	1		
091Z			SM00056	REF		31-51-12	D01433			N2			
92	22	PA	D00819	15		31-51-12	GDX0002	D..	2	N2	2		
93	24	PV	D00819	30		31-51-12	D00813	13		N2	3		
093Z			D00813	DED		31-51-12	D00819			N2			
94	20	PA	SM00032		W	31-51-12	GDX0005	D..	2	N2			
95	24	PV	D01505	X2		31-51-12	D00813	75		N2	3		
095Z			D00813	DED		31-51-12	D01505			N2			
96	24	PV	D01505	X1		31-51-12	SM00016		W	N2	1		
096Z			SM00016	REF		31-51-12	D01505			N2			
97	24	PV	D00813	46		31-51-12	SM00016		W	N2	2		
097Z			SM00016	REF		31-51-12	D00813	DED		N2			
98	20	PA	SM00033		W	31-51-12	GDX0005	D..	2	N2			
99	24	PK	SM00016			31-51-12	D11553	25		N2	1		
10A	24	PK	D01489	21		31-51-33	D04349J	23		N2	2		
100	20	PA	D11553	1		31-51-12	GDX0003	D..	2	N2	2		
101	20	UA	D00821			31-51-12	GDX0004	S..	2	N2	2		
102	20	UA	D00819			31-51-12	GDX0004	S..	2	N2	2		
103	20	UA	D01433			31-51-12	GDX0004	S..	2	N2	2		
104	20	UA	D01505			31-51-12	GDX0005	S..	2	N2	2		
106	20	UA	D00815			31-51-12	GDX0004	S..	2	N2	2		
107	20	UA	D01381			31-51-12	GDX0004	S..	2	N2	2		
109	20	UA	D00817			31-51-12	GDX0004	S..	2	N2	2		
110	20	UA	D01487			31-51-12	GDX0001	S..	2	N2	2		
111	20	UA	D01489			31-51-12	GDX0001	S..	2	N2	2		
112	22	PA	D00815	15		31-51-12	GDX0001	D..	2	N2	2		
113	24	PK	D01505	A2		31-51-12	SM00005		W	N2	1		
114	20	PA	D01505	A3		31-51-12	GDX0003	D..	2	N2	2		
115	24	PK	D02261	21		21-61-51	D04347J	25		N2	2		
116	24	PK	D00815	21		31-51-12	SM00023		W	N2	1		
117	24	PK	D00813	63		31-51-12	SM00023		W	N2	2		
118	24	PK	D00823	1		31-51-12	SM00023		W	N2	1		

286T0045-309
Wire Bundle Assembly
Figure 112 (Sheet 5)

25-71-02

WIRE			FROM EQUIPMENT			TO EQUIPMENT			WIRE INFO				
NUMBER	GA	TYP	NUMBER	TERM	TT	WDM REF	NUMBER	TERM	TT	EMC/SEP	FT	NOTES	EFFECTIVITY
119	24	PK	D01381	1		31-51-12	SM00023		W	N2	1		
120	22	PA	D01381	15		31-51-12	GDX0001		D..	N2	2		
121	24	PK	D00817	56		31-51-12	SM00024			N2	1		
122	24	PK	D00813	64		31-51-12	SM00024			N2	2		
123	24	PK	D01487	56		31-51-12	SM00024			N2	1		
124	22	PA	D00823	15		31-51-12	GDX0001		D..	N2	2		
125	20	UA	D00823			31-51-12	GDX0004		S..	N2	2		
126	24	PV	D00823	33		31-51-12	D00813		15	N2	3		
126Z			D00823			31-51-12	D00813		DED	N2			
127	24	PV	D00823	24		31-51-12	D00813		20	N2	3		
127Z			D00823			31-51-12	D00813		DED	N2			
128	22	PA	D00817	15		31-51-12	GDX0002			N2	2		
129	24	PV	D00817	30		31-51-12	D00813		D..	N2	3		
129Z			D00817			31-51-12	D00813		DED	N2			
130	24	PV	D00817	33		31-51-12	D00813		74	N2	3		
130Z			D00817			31-51-12	D00813		DED	N2			
131	24	PV	D00813	11		31-51-12	D01381		30	N2	3		
131Z			D01381			31-51-12	D00813		DED	N2			
132	24	PV	D00813	16		31-51-12	D01381		33	N2	3		
132Z			D01381			31-51-12	D00813		DED	N2			
133	24	PV	D01381	24		31-51-12	D00813		21	N2	3		
133Z			D01381			31-51-12	D00813		DED	N2			
134	24	PK	D01489	50		31-51-12	SM00024			N2	1		
135	24	PV	D01487	30		31-51-12	D00813		47	N2	3		
135Z			D01487			31-51-12	D00813		DED	N2			
136	24	PV	D01487	33		31-51-12	D00813		70	N2	3		
136Z			D01487			31-51-12	D00813		DED	N2			
137	22	PA	D01487	15		31-51-12	GDX0003			N2	2		
138	24	PV	D01489	30		31-51-12	D00813		D..	N2	3		
138Z			D01489			31-51-12	D00813		45	N2			
139	24	PV	D01489	33		31-51-12	D00813		DED	N2	3		
139Z			D01489			31-51-12	D00813		50	N2	3		
140	24	PV	D01489	24		31-51-12	D00813		36	N2	3		

286T0045-309
Wire Bundle Assembly
Figure 112 (Sheet 6)

25-71-02



BOEING
COMPONENT
MAINTENANCE MANUAL

WIRE		FROM EQUIPMENT			TO EQUIPMENT			WIRE INFO					
NUMBER	GA	TYP	NUMBER	TERM	TT	WDM REF	NUMBER	TERM	TT	EMC/SEP	FT	NOTES	EFFECTIVITY
140Z			D01489			31-51-12	D00813	DED		N2			
141	22	PA	D01489	15		31-51-12	GDX0003	D..	2	N2	2		
142	24	PK	D00813	33		31-51-12	D11553	26		N2	3		
143	24	PK	D11553	27		31-51-12	D00813	34		N2	3		
144	24	PV	D00813	12		31-51-12	D00815	30		N2	3		
144Z			D00813	DED		31-51-12	D00815			N2			
145	20	PA	SM00030		W	31-51-12	GDX0005	D..	2	N2			
146	24	PV	D00813	17		31-51-12	D00815	33		N2	3		
146Z			D00813	DED		31-51-12	D00815			N2			
147	24	PV	D00813	22		31-51-12	D00815	24		N2	3		
147Z			D00813	DED		31-51-12	D00815			N2			
148	24	PV	D00813	10		31-51-12	D00823	30		N2	3		
148Z			D00813	DED		31-51-12	D00823			N2			
149	20	PA	SM00031		W	31-51-12	GDX0005	D..	2	N2			
150	22	PA	D04301J	6		27-32-11	D00823	34		N2	2		
151	24	PK	D04509J	1		27-32-11	D00823	39		N2	2		
152	24	PK	D04347J	26		27-32-11	D00823	40		N2	2		
153	24	PK	D00823	31		27-32-11	D04509J	6		N2	2		
154	20	PA	D04509J	7		27-32-11	GDX0001	D..	2	N2	2		
155	24	PK	SM00037		W	27-32-11	D04511J	3		N2	1		
156	24	PK	D00823	38		27-32-11	D04511J	2		N2	2		
157	24	PK	D04511J	4		27-32-11	SM00050		W	N2	1		
158	24	PK	SM00037		W	27-32-11	D00823	4		N2	1		
159	24	PK	D04349J	14		27-32-11	D00823	36		N2	1		
160	24	PK	D04349J	15		27-32-11	D00823	3		N2	1		
161	24	PK	D04349J	16		27-32-11	D00823	43		N2	1		
162	24	PK	D04349J	10		27-32-11	D00823	2		N2	1		
165	22	PA	D04349J	11		27-32-21	D01381	34		N2	2		
166	24	PK	D01381	40		27-32-21	D04349J	6		N2	2		
167	24	PK	D01381	31		27-32-21	D04511J	7		N2	2		
168	20	PA	GDX0002	D..	2	27-32-21	D04511J	8		N2	2		
169	24	PK	D04349J	34		27-32-21	D01381	36		N2	2		
170	24	PK	D04349J	35		27-32-21	D01381	3		N2	2		

286T0045-309
Wire Bundle Assembly
Figure 112 (Sheet 7)

25-71-02

WIRE			FROM EQUIPMENT			TO EQUIPMENT			WIRE INFO				
NUMBER	GA	TYP	NUMBER	TERM	TT	WDM REF	NUMBER	TERM	TT	EMC/SEP	FT	NOTES	EFFECTIVITY
171	24	PK	D04349J	36		27-32-21	D01381	43		N2	2		
172	24	PK	D04349J	37		27-32-21	D01381	2		N2	2		
173	24	PK	D04511J	13		27-32-21	D01381	4		N2	2		
174	24	PK	D04511J	16		27-32-21	D01381	37		N2	2		
175	24	PK	D04511J	15		27-32-21	D01381	38		N2	2		
176	24	PK	D04509J	8		27-32-21	D01381	39		N2	2		
177	24	PK	D00815	34		31-51-21	SM00057		W	N2	1		
178	24	PK	D00815	43		31-51-21	D01433	19		N2	2		
179	24	PK	D00815	10		31-51-21	D00819	5		N2	2		
180	24	PK	D04507J	5		31-51-21	SM00034		W	N2	1		
181	24	PK	SM00058		W	31-51-21	D00815	66		N2	1		
182	24	PK	D00815	4		31-51-21	SM00034		W	N2	1		
183	24	PK	D00815	11		31-51-21	D04349J	39		N2	2		
184	22	PA	D00815	37		31-51-21	SM00035		W	N2	1		
185	22	PA	D00815	42		31-51-21	SM00036		W	N2	1		
186	24	PK	D04349J	5		31-51-21	SM00012		W	N2	1		
187	24	PK	D00815	2		31-51-21	SM00012		W	N2	1		
188	24	PK	SM00011		W	31-51-21	D04349J	4		N2	1		
189	24	PK	SM00011		W	31-51-21	D00815	35		N2	1		
190	24	PK	D04349J	12		31-51-21	SM00009		W	N2	1		
191	24	PK	D00815	44		31-51-21	SM00009		W	N2	1		
192	24	PK	D04347J	10		31-51-21	SM00008		W	N2	1		
193	24	PK	D00815	1		31-51-21	SM00008		W	N2	1		
194	24	PK	D04347J	11		31-51-21	SM00010		W	N2	1		
195	24	PK	D00815	36		31-51-21	SM00010		W	N2	1		
196	24	PK	SM00039		W	31-51-21	D04347J	21		N2	1		
197	24	PK	D00815	45		31-51-21	SM00039		W	N2	1		
198	24	PK	D00815	46		31-51-21	D04347J	6		N2	2		
199	20	PA	GDX0004	S..	2	31-51-31	D04597J	14		N2	2		
201B	24	PW	D01489	43		31-51-33	SM00004		W	N2	1		
201R	24	PW	D01489	9		31-51-33	SM00003		W	N2			
201Z			D01489	DED		31-51-33	SM00003	REF		N2			
204	20	UA	D04507J			27-32-11	GDX0004	S..	2	N2	2		

286T0045-309
Wire Bundle Assembly
Figure 112 (Sheet 8)

25-71-02



BOEING
COMPONENT
MAINTENANCE MANUAL

WIRE		FROM EQUIPMENT			TO EQUIPMENT			WIRE INFO					
NUMBER	GA	TYP	NUMBER	TERM	TT	WDM REF	NUMBER	TERM	TT	EMC/SEP	FT	NOTES	EFFECTIVITY
204B	24	PW	D00823	18		27-32-11	D04507J	12		N2	1		
204R	24	PW	D00823	16		27-32-11	D04507J	11		N2			
204Z			D04507J			27-32-11	D00823	DED		N2			
205B	24	PW	D00815	19		31-51-21	SM00007		W	N2	1		
205R	24	PW	D00815	52		31-51-21	SM00006		W	N2			
205Z			D00815	DED		31-51-21	SM00006	REF		N2			
207	20	UA	D04597J			31-51-21	GDX0004	S..	2	N2	2		
207B	24	PW	SM00007		W	31-51-21	D04597J	4		N2	1		
207R	24	PW	SM00006			31-51-21	D04597J	3		N2			
207Z			SM00006	REF		31-51-21	D04597J		2	N2	2		
208	20	UA	D04301J			34-16-11	GDX0002	S..	2	N2	2		
208B	24	PW	D00821	36		34-16-11	D04301J	9		N2	2		
208R	24	PW	D00821	2		34-16-11	D04301J	8		N2			
208Z			D00821	DED		34-16-11	D04301J			N2			
209B	24	PW	D01489	46		31-51-33	SM00007		W	N2	1		
209R	24	PW	D01489	12		31-51-33	SM00006		W	N2			
209Z			D01489	DED		31-51-33	SM00006	REF		N2	1		
212B	24	PW	D01433	36		31-51-42	SM00007		W	N2			
212R	24	PW	D01433	2		31-51-42	SM00006		W	N2	2		
212Z			D01433	DED		31-51-42	SM00006	REF		N2	2		
213	20	UA	D04507J			34-16-11	GDX0004	S..	2	N2	2		
213B	24	PW	D00821	35		34-16-11	D04507J	8		N2	2		
213R	24	PW	D00821	1		34-16-11	D04507J	9		N2			
213Z			D00821	DED		34-16-11	D04507J			N2	2		
214	20	UA	D04349J			34-16-11	GDX0004	S..	2	N2	2		
214B	24	PW	D00821	37		34-16-11	D04349J	19		N2	2		
214R	24	PW	D00821	3		34-16-11	D04349J	18		N2			
214Z			D00821	DED		34-16-11	D04349J			N2	2		
215B	24	PL	D01487	24		31-51-31	D04597J	12		N2	2		
215R	24	PL	D01487	23		31-51-31	D04597J	13		N2	2		
216B	24	PL	D00817	24		31-51-32	D04303J	12		N2	2		
216R	24	PL	D00817	23		31-51-32	D04303J	11		N2	2		
221B	24	PW	D01489	45		31-51-33	SM00004		W	N2	1		

286T0045-309
Wire Bundle Assembly
Figure 112 (Sheet 9)

25-71-02

WIRE			FROM EQUIPMENT			TO EQUIPMENT			WIRE INFO				
NUMBER	GA	TYP	NUMBER	TERM	TT	WDM REF	NUMBER	TERM	TT	EMC / SEP	FT	NOTES	EFFECTIVITY
221R	24	PW	D01489	11		31-51-33	SM00003		W	N2			
221Z			D01489	DED		31-51-33	SM00003	REF		N2			
223B	24	PW	D00821	38		34-16-11	SM00004		W	N2	1		
223R	24	PW	D00821	4		34-16-11	SM00003		W	N2			
223Z			D00821	DED		34-16-11	SM00003	REF		N2			
224	20	UA	D04349J			27-32-21	GDX0004	S..	2	N2	2		
224B	24	PW	D04349J	28		27-32-21	D01381	18		N2	2		
224R	24	PW	D04349J	27		27-32-21	D01381	16		N2			
224Z			D04349J			27-32-21	D01381	DED		N2			
225B	22	PR	D00811	69		31-51-11	SM00060		W	N2	2		
225R	22	PR	D00811	68		31-51-11	SM00060		W	N2			
225Z			D00811	DED		31-51-11	SM00028	REF		N2			
226B	22	PR	D00813	69		31-51-12	SM00061		W	N2	2		
226R	22	PR	D00813	68		31-51-12	SM00061		W	N2			
226Z			D00813	DED		31-51-12	SM00030	REF		N2			
230	20	UA	D04347J			31-51-33	GDX0003	S..	2	N2	2		
230B	24	PW	D04347J	18		31-51-33	SM00004		W	N2	1		
230R	24	PW	D04347J	17		31-51-33	SM00003		W	N2			
230Z			D04347J			31-51-33	SM00003	REF		N2			
236	20	UA	D04347J			27-32-11	GDX0001	S..	2	N2	2		
236B	24	PW	D04347J	37		27-32-11	D00823	54		N2	2		
236R	24	PW	D04347J	36		27-32-11	D00823	23		N2			
236Z			D04347J			27-32-11	D00823	DED		N2			
237B	24	PW	D04347J	40		27-32-11	D00823	13		N2	2		
237R	24	PW	D04347J	39		27-32-11	D00823	12		N2			
237Z			D04347J			27-32-11	D00823	DED		N2			
238	20	UA	D04349J			27-32-21	GDX0001	S..	2	N2	2		
238B	24	PW	D04349J	49		27-32-21	D01381	54		N2	2		
238R	24	PW	D04349J	48		27-32-21	D01381	23		N2			
238Z			D04349J			27-32-21	D01381	DED		N2			
239B	24	PW	D01381	20		27-32-21	D04349J	55		N2	2		
239R	24	PW	D01381	19		27-32-21	D04349J	54		N2			
239Z			D01381	DED		27-32-21	D04349J			N2			

286T0045-309
Wire Bundle Assembly
Figure 112 (Sheet 10)

25-71-02



BOEING
COMPONENT
MAINTENANCE MANUAL

WIRE			FROM EQUIPMENT			TO EQUIPMENT			WIRE INFO				
NUMBER	GA	TYP	NUMBER	TERM	TT	WDM REF	NUMBER	TERM	TT	EMC/SEP	FT	NOTES	EFFECTIVITY
240B	24	PL	D04347J	23		31-51-31	SM00080		W	N2	1		
240R	24	PL	D04347J	22		31-51-31	SM00042		W	N2	1		
241B	24	PL	D01487	60		31-51-31	SM00080		W	N2	1		
241R	24	PL	D01487	28		31-51-31	SM00042		W	N2	1		
242B	24	PL	D00817	60		31-51-32	SM00080		W	N2	1		
242R	24	PL	D00817	28		31-51-32	SM00042		W	N2	2		
243B	24	PW	D04349J	52		27-32-21	D01381	13		N2			
243R	24	PW	D04349J	51		27-32-21	D01381	12		N2			
243Z	24		D04349J			27-32-21	D01381	DED		N2			
245B	24	PW	D00823	20		27-32-11	D04347J	48		N2	2		
245R	24	PW	D00823	19		27-32-11	D04347J	47		N2			
245Z	24		D00823	DED		27-32-11	D04347J			N2			
247	20	UA	D04349J			31-41-35	GDX0006	S..	2	N2	2		
247B	24	PW	D02261	42		31-41-35	D04349J	57		N2	2		
247R	24	PW	D02261	43		31-41-35	D04349J	56		N2			
247Z	24		D02261	DED		31-41-35	D04349J			N2			
248	20	UA	D04349J			28-41-11	GDX0006	S..	2	N2	2		
248B	24	PW	D02261	5		28-41-11	D04349J	60		N2	2		
248R	24	PW	D02261	8		28-41-11	D04349J	59		N2			
248Z	24		D02261	DED		28-41-11	D04349J			N2			
271B	24	PL	D04597J	5		31-51-31	SM00088		W	N2	1		
271R	24	PL	D04597J	2		31-51-31	SM00087		W	N2			
272B	24	PL	D01487	63		31-51-31	SM00088		W	N2	1		
272R	24	PL	D01487	62		31-51-31	SM00087		W	N2			
273B	24	PL	D00817	63		31-51-32	SM00088		W	N2	1		
273R	24	PL	D00817	62		31-51-32	SM00087		W	N2			
290B	24	PW	D04597J	8		34-43-15	SM00104		W	N2	1		
290R	24	PW	D04597J	7		34-43-15	SM00103		W	N2			
290Z	24		D04597J	9		34-43-15	SM00103	REF		N2			
291B	24	PW	D04303J	5		34-43-15	SM00104		W	N2	1		
291R	24	PW	D04303J	4		34-43-15	SM00103		W	N2			
291Z	24		D04303J	6		34-43-15	SM00103	REF		N2			
292B	24	PW	D04347J	53		34-43-15	SM00104		W	N2	1		

286T0045-309
Wire Bundle Assembly
Figure 112 (Sheet 11)

25-71-02

WIRE			FROM EQUIPMENT			TO EQUIPMENT			WIRE INFO					
NUMBER	GA	TYP	NUMBER	TERM	TT	WDM	REF	NUMBER	TERM	TT	EMC/SEP	FT	NOTES	EFFECTIVITY
292R	24	PW	D04347J	51		34-43-15		SM00103		W	N2			
292Z			D04347J	61		34-43-15		SM00103	REF		N2			
301	20	UA	SM00028	REF		31-51-11		GDX0005	S..	2	N2	1		
301B	22	PS	D00811	57		31-51-11		SM00028		W	N2	2		
301R	22	PS	D00811	38		31-51-11		SM00028		W	N2			
301Y	22	PS	D00811	58		31-51-11		SM00028		W	N2			
301Z			D00811	DED		31-51-11		SM00028	REF		N2			
302B	22	PS	D00811	42		31-51-11		SM00029		W	N2	2		
302R	22	PS	D00811	41		31-51-11		SM00029		W	N2			
302Y	22	PS	D00811	43		31-51-11		SM00029		W	N2			
302Z			D00811	DED		31-51-11		SM00028	REF		N2			
303B	22	PS	D00811	8		31-51-11		SM00026		W	N2	2		
303R	22	PS	D00811	7		31-51-11		SM00026		W	N2			
303Y	22	PS	D00811	9		31-51-11		SM00026		W	N2			
303Z			D00811	DED		31-51-11		SM00028	REF		N2			
304B	22	PS	D00811	25		31-51-11		SM00027		W	N2	2		
304R	22	PS	D00811	24		31-51-11		SM00027		W	N2			
304Y	22	PS	D00811	37		31-51-11		SM00027		W	N2			
304Z			D00811	DED		31-51-11		SM00028	REF		N2			
305	20	UA	SM00030	REF		31-51-12		GDX0005	S..	2	N2	1		
305B	22	PS	D00813	8		31-51-12		SM00030		W	N2	2		
305R	22	PS	D00813	7		31-51-12		SM00030		W	N2			
305Y	22	PS	D00813	9		31-51-12		SM00030		W	N2			
305Z			D00813	DED		31-51-12		SM00030	REF		N2			
306B	22	PS	D00813	25		31-51-12		SM00031		W	N2	2		
306R	22	PS	D00813	24		31-51-12		SM00031		W	N2			
306Y	22	PS	D00813	37		31-51-12		SM00031		W	N2			
306Z			D00813	DED		31-51-12		SM00030	REF		N2			
307B	22	PS	D00813	57		31-51-12		SM00032		W	N2	2		
307R	22	PS	D00813	38		31-51-12		SM00032		W	N2			
307Y	22	PS	D00813	58		31-51-12		SM00032		W	N2			
307Z			D00813	DED		31-51-12		SM00030	REF		N2			
308B	22	PS	D00813	42		31-51-12		SM00033		W	N2	2		

286T0045-309
Wire Bundle Assembly
Figure 112 (Sheet 12)

25-71-02



BOEING
COMPONENT
MAINTENANCE MANUAL

WIRE		FROM EQUIPMENT			TO EQUIPMENT			WIRE INFO					
NUMBER	GA	TYP	NUMBER	TERM	TT	WDM REF	NUMBER	TERM	TT	EMC/SEP	FT	NOTES	EFFECTIVITY
308R	22	PS	D00813	41		31-51-12	SM00033		W	N2			
308Y	22	PS	D00813	43		31-51-12	SM00033		W	N2			
308Z			D00813	DED		31-51-12	SM00030	REF		N2			
512	24	PK	D02261	20		27-81-31	D04349J	8		N2	2		
601	20	PA	SM00060		W	31-51-11	GDX0004	D..	2	N2			
602	20	PA	SM00061		W	31-51-12	GDX0005	D..	2	N2			
603	24	PV	D04301J	5		31-51-12	M01103	INE	D	N2	1		
603Z			D04301J	DED		31-51-12	M01103			N2			
604	24	PV	D04301J	4		31-51-12	D00813	4		N2	3		
604Z			D04301J	DED		31-51-12	D00813			N2			
605	24	PV	D00813	1		31-51-12	M01103	OAD	D	N2	3		
605Z			D00813			31-51-12	M01103	DED		N2			
606	24	PV	D04349J	32		31-51-11	M01102	INE	D	N2	1		
606Z			D04349J	DED		31-51-11	M01102			N2			
607	24	PV	D04349J	33		31-51-11	D00811	4		N2	3		
607Z			D04349J	DED		31-51-11	D00811			N2			
608	24	PV	D00811	1		31-51-11	M01102	OAD	D	N2	3		
608Z			D00811			31-51-11	M01102	DED		N2			
610	24	PK	D00823	37		27-32-11	SM00050		W	N2	1		
611	24	PK	D01433	6		31-51-42	D04347J	20		N2	2		
612	24	PK	D01433	4		31-51-42	SM00050		W	N2	1		
613	24	PK	D04349J	30		31-51-31	SM00065		W	N2	1		
614	24	PK	D01487	52		31-51-31	SM00065		W	N2	1		
615	24	PK	D00817	52		31-51-32	SM00065		W	N2	1		
617	24	PK	D01381	11		27-32-12	D00823	56		N2	1		
618	24	PK	D01381	56		27-32-12	D00823	11		N2	1		
619	24	PK	D00823	45		27-32-12	SM00082		W	N2	1		
620	24	PK	D04349J	29		31-51-21	SM00071		W	N2	1		
621	24	PK	D00815	7		31-51-21	SM00071		W	N2	1		
622	24	PK	D01489	2		31-51-33	SM00071		W	N2	1		
623	24	PK	D01489	36		31-51-33	SM00038		W	N2	1		
624	24	PK	D00815	8		31-51-21	SM00045		W	N2	1		
625	24	PK	D01487	9		31-51-31	SM00034		W	N2	1		

286T0045-309
Wire Bundle Assembly
Figure 112 (Sheet 13)

25-71-02

TESTING & TROUBLE SHOOTING

01

Page 150A

Nov 01/02

WIRE			FROM EQUIPMENT			TO EQUIPMENT			WIRE INFO				
NUMBER	GA	TYP	NUMBER	TERM	TT	WDM REF	NUMBER	TERM	TT	EMC/SEP	FT	NOTES	EFFECTIVITY
628	22	PA	D01487	20		31-51-31	GDX0006	D..	2	N2	2		
629	22	PA	D01487	53		31-51-31	GDX0006	D..	2	N2	2		
630	22	PA	D01487	21		31-51-31	GDX0006	D..	2	N2	2		
631	24	PK	D00817	9		31-51-32	SM00034		W	N2	1		
634	22	PA	D00817	20		31-51-32	GDX0006	D..	2	N2	2		
635	22	PA	D00817	53		31-51-32	GDX0006	D..	2	N2	2		
636	22	PA	D00817	21		31-51-32	GDX0006	D..	2	N2	2		
644	22	FQ	D00823	66		27-32-31	D04347J	42		N2	2		
644Z			D00823	DED		27-32-31	D04347J	DED		N2	2		
646	22	FQ	D01381	66		27-32-31	D04349J	42		N2	2		
646Z			D01381	DED		27-32-31	D04349J	DED		N2	2		
648	24	PK	D04347J	32		34-16-11	D00821	40		N2	2		
649	24	PK	D04347J	33		34-16-11	SM00038		W	N2	1		
681	24	PK	D01433	10		31-51-43	D04507J	10		N2	2		
682	24	PK	D01433	13		31-51-43	D04347J	46		N2	2		
683	22	PA	D01433	41		31-51-43	SM00081		W	N2	1		
684	20	PA	GDX0001	D..	2	31-51-43	D04349J	47		N2	2		
685	24	PK	D00823	58		27-32-12	D01505	A1		N2	2		
686	24	PK	D00823	8		27-32-11	SM00038		W	N2	1		
687	24	PK	D00823	64		27-32-11	SM00081		W	N2	1		
688	24	PK	D01381	58		27-32-22	D01503	A1		N2	2		
689	24	PK	D01381	45		27-32-22	SM00085		W	N2	1		
692	24	PK	D01381	8		27-32-21	SM00038		W	N2	1		
693	24	PK	D04347J	30		31-51-21	D00815	6		N2	2		
694	22	PA	D04349J	46		31-51-43	SM00081		W	N2	1		
696	20	PA	GDX0003	D..	2	27-32-12	SM00082		W	N2	1		
697	20	PA	GDX0003	D..	2	27-32-22	SM00085		W	N2	1		
701	24	PK	D00815	49		31-51-21	D00815	22		N2	2		
702	24	PK	D00815	16		31-51-21	D00815	48		N2	2		
703	24	PK	D00819	6		31-51-41	SM00019		W	N2	1		
704	24	PK	SM00075		W	31-51-41	D04511J	14		N2	1		
705	24	PK	D00819	45		31-51-41	D04511J	12		N2	2		
706	24	PK	D00819	10		31-51-41	D04349J	31		N2	2		

286T0045-309
Wire Bundle Assembly
Figure 112 (Sheet 14)

25-71-02



BOEING
COMPONENT
MAINTENANCE MANUAL

WIRE			FROM EQUIPMENT			TO EQUIPMENT			WIRE INFO				
NUMBER	GA	TYP	NUMBER	TERM	TT	WDM REF	NUMBER	TERM	TT	EMC/SEP	FT	NOTES	EFFECTIVITY
707	24	PK	D00819	21		31-51-41	D04509J	4		N2	2		
708	24	PK	D00819	9		31-51-41	D04349J	7		N2	2		
709	24	PK	D00819	39		31-51-41	SM00044		W	N2	1		
710	24	PK	D00819	43		31-51-41	SM00037		W	N2	1		
711	24	PK	D00819	12		31-51-41	D04349J	21		N2	2		
712	24	PK	D00819	53		31-51-41	D04349J	3		N2	2		
713	24	PK	D00819	20		31-51-41	D04347J	9		N2	2		
714	24	PK	D00819	44		31-51-41	D04349J	24		N2	2		
715	24	PK	D04507J	6		31-51-42	SM00019		W	N2	1		
716	24	PK	D01433	34		31-51-42	SM00019		W	N2	1		
717	24	PK	D01433	37		31-51-42	SM00034		W	N2	1		
718	24	PK	D01433	39		31-51-42	D04509J	2		N2	2		
720	24	PK	D01433	52		31-51-42	SM00040		W	N2	1		
721	24	PK	D01433	38		31-51-42	D04347J	24		N2	2		
722	24	PK	D01433	5		31-51-42	D04349J	22		N2	2		
723	24	PK	D04511J	11		31-51-42	SM00038		W	N2	1		
724	24	PK	D01433	40		31-51-42	SM00038		W	N2	1		
725	24	PK	D01433	3		31-51-42	D04347J	13		N2	2		
726	22	PA	D04347J	14		31-51-21	SM00036		W	N2	1		
727	22	PA	D04301J	11		31-51-21	SM00035		W	N2	1		
728	24	PK	D04347J	1		31-51-41	D00819	35		N2	2		
729	24	PK	D04347J	2		31-51-41	D00819	1		N2	2		
730	24	PK	D04347J	3		31-51-41	D00819	36		N2	2		
731	24	PK	D04347J	4		31-51-41	D00819	2		N2	2		
732	24	PK	D04347J	5		31-51-42	D01433	20		N2	2		
733	24	PK	D04347J	16		34-16-11	D00821	65		N2	2		
734	24	PK	D04347J	8		31-51-31	SM00046		W	N2	1		
735	24	PK	D04507J	7		34-16-11	D00821	34		N2	2		
736	24	PK	D04507J	2		34-16-11	D00821	66		N2	2		
737	24	PK	SM00041		W	34-16-11	D00821	31		N2	1		
738	24	PK	D04347J	19		34-16-11	D00821	7		N2	2		
739	24	PK	SM00075		W	34-16-11	D00821	6		N2	1		
741	24	PK	D00821	18		34-16-11	D00821	22		N2			

286T0045-309
Wire Bundle Assembly
Figure 112 (Sheet 15)

25-71-02

WIRE			FROM EQUIPMENT			TO EQUIPMENT			WIRE INFO				
NUMBER	GA	TYP	NUMBER	TERM	TT	WDM REF	NUMBER	TERM	TT	EMC/ SEP	FT	NOTES	EFFECTIVITY
742	24	PK	D00821	50		34-16-11	D00821	48		N2			
746	24	PK	D04597J	10		31-51-31	SM00043		W	N2	1		
747	24	PK	D01487	46		31-51-31	SM00043		W	N2	1		
748	24	PK	D04347J	7		31-51-31	SM00045		W	N2	1		
749	24	PK	D01487	10		31-51-31	SM00045		W	N2	1		
750	24	PK	D01487	19		31-51-31	SM00046		W	N2	1		
751	24	PK	D01487	13		31-51-31	SM00040		W	N2	1		
752	24	PK	D01487	47		31-51-31	SM00044		W	N2	1		
753	24	PK	D01487	51		31-51-31	SM00041		W	N2	1		
755	24	PV	D01487	1		31-51-31	SM00035		W	N2	1		
755Z			D01487	DED		31-51-31	SM00035	DED		N2			
756	24	PK	D01487	50		31-51-31	SM00036		W	N2	1		
757	24	PK	D01487	11		31-51-31	SM00039		W	N2	1		
758	24	PK	D01487	22		31-51-31	D01489	23		N2	2		
759	24	PK	D01487	55		31-51-31	D01489	47		N2	2		
760	24	PK	D01487	34		31-51-31	D01489	51		N2	2		
761	24	PK	D01487	66		31-51-31	D01489	57		N2	2		
762	24	PK	D00817	10		31-51-32	SM00045		W	N2	1		
763	24	PK	D00817	46		31-51-32	SM00043		W	N2	1		
764	24	PV	D00817	1		31-51-32	SM00035		W	N2	1		
764Z			D00817	DED		31-51-32	SM00035	DED		N2			
765	24	PK	D00817	50		31-51-32	SM00036		W	N2	1		
766	24	PV	D00817	11		31-51-32	SM00053		W	N2	1		
766Z			D00817	DED		31-51-32	SM00053	DED		N2			
767	24	PK	D00817	19		31-51-32	SM00046		W	N2	1		
768	24	PK	D00817	13		31-51-32	SM00040		W	N2	1		
769	24	PK	D00817	47		31-51-32	SM00044		W	N2	1		
770	24	PK	D00817	51		31-51-32	SM00041		W	N2	1		
772	24	PK	D00817	22		31-51-32	D01489	54		N2	2		
773	24	PK	D00817	55		31-51-32	D01489	13		N2	2		
774	24	PK	D00817	34		31-51-32	D01489	25		N2	2		
775	24	PK	D00817	66		31-51-32	D01489	58		N2	2		
776	24	PK	D01489	42		31-51-33	D04347J	15		N2	2		

286T0045-309
Wire Bundle Assembly
Figure 112 (Sheet 16)

25-71-02



BOEING
COMPONENT
MAINTENANCE MANUAL

WIRE			FROM EQUIPMENT			TO EQUIPMENT			WIRE INFO				
NUMBER	GA	TYP	NUMBER	TERM	TT	WDM REF	NUMBER	TERM	TT	EMC/SEP	FT	NOTES	EFFECTIVITY
777	24	PK	D01489	8		31-51-33	D04349J	13		N2	2		
779	24	PK	D01489	35		31-51-33	D04349J	40		N2	2		
780	24	PK	D01489	53		31-51-33	D04349J	2		N2	2		
781	24	PK	D01489	31		31-51-33	D01489	48		N2			
782	24	PK	D01489	18		31-51-33	D01489	22		N2			
783	24	PK	D01489	38		31-51-33	SM00008		W	N2	1		
784	24	PK	D01489	4		31-51-33	SM00011		W	N2	1		
785	24	PK	D01489	37		31-51-33	SM00012		W	N2	1		
786	24	PK	D01489	3		31-51-33	SM00010		W	N2	1		
787	24	PK	D01489	1		31-51-33	SM00009		W	N2	1		
788	24	PK	D01489	6		31-51-33	SM00034		W	N2	1		
789	24	PK	D01489	41		31-51-33	D04509J	11		N2	2		
791	24	PK	D01489	7		31-51-33	D04509J	10		N2	2		
792	24	PK	D01489	40		31-51-33	D04509J	9		N2	2		
793	24	PK	D00819	11		31-51-41	SM00075		W	N2	1		
794	20	PA	D04303J	10		31-51-32	GDX0004	S..	2	N2	2		
795	24	PK	D01433	9		31-51-42	D01433	48		N2			
796	24	PK	D01433	22		31-51-42	D01433	50		N2			
797	24	PV	D00815	41		31-51-21	SM00053		W	N2	1		
797Z			D00815	DED		31-51-21	SM00053	DED		N2			
798	24	PV	D04349J	9		31-51-21	SM00053		W	N2	1		
798Z			D04349J	DED		31-51-21	SM00053	DED		N2			
817	24	PK	D00823	55		27-32-12	D11553	6		N2	2		
818	24	PK	D00823	21		27-32-12	D11553	4		N2	2		
819	24	PK	D00823	51		27-32-12	D11553	3		N2	2		
820	24	PK	D00823	50		27-32-12	D11553	2		N2	2		
821	24	PK	D00823	49		27-32-12	D11553	7		N2	2		
822	24	PK	D00823	47		27-32-12	D11553	8		N2	2		
823	24	PK	D00823	46		27-32-12	D11553	9		N2	2		
824	24	PK	D00823	53		27-32-12	D11553	5		N2	2		
825	24	PK	D00823	62		27-32-12	D11553	24		N2	2		
826	24	PK	D01381	55		27-32-22	D11553	16		N2	2		
827	24	PK	D01381	21		27-32-22	D11553	14		N2	2		

286T0045-309
Wire Bundle Assembly
Figure 112 (Sheet 17)

25-71-02

WIRE			FROM EQUIPMENT			TO EQUIPMENT			WIRE INFO				
NUMBER	GA	TYP	NUMBER	TERM	TT	WDM REF	NUMBER	TERM	TT	EMC/SEP	FT	NOTES	EFFECTIVITY
828	24	PK	D01381	51		27-32-22	D11553	13		N2	2		
829	24	PK	D01381	50		27-32-22	D11553	12		N2	2		
830	24	PK	D01381	49		27-32-22	D11553	17		N2	2		
831	24	PK	D01381	47		27-32-22	D11553	18		N2	2		
832	24	PK	D01381	46		27-32-22	D11553	19		N2	2		
833	24	PK	D01381	53		27-32-22	D11553	15		N2	2		
834	24	PK	D01381	62		27-32-22	D11553	34		N2	2		
835	24	PK	D04349J	50		27-32-21	D01381	64		N2	2		
836	20	PA	D04349J	53		27-32-21	GDX0002	S..	2	N2	2		
837	24	PK	D00823	42		27-32-12	SM00082		W	N2	1		
838	24	PK	D01381	42		27-32-22	SM00085		W	N2	1		
862	22	PA	D02261	30		31-41-35	GDX0006	S..	2	N2	1		
863	22	PA	D02261	32		31-41-35	GDX0006	S..	2	N2	1		
864	22	PA	D02261	33		31-41-35	GDX0006	S..	2	N2	1		
865	22	PA	D02261	64		31-41-35	GDX0006	S..	2	N2	1		
866	24	PV	D02261	27		31-51-11	SM00018		W	N2	1		
866Z			D02261	DED		31-51-11	SM00018	REF		N2			
867	24	PV	D02261	28		31-51-11	SM00047		W	N2	1		
867Z			D02261	DED		31-51-11	SM00047	REF		N2			
868	24	PV	D02261	29		31-51-12	SM00054		W	N2	1		
868Z			D02261	DED		31-51-12	SM00054	REF		N2			
869	24	PK	D02261	34		31-51-12	SM00025		W	N2	1		
870	22	PA	D02261	56		31-51-12	GDX0001	S..	2	N2	2		
871	22	PA	D02261	57		31-51-12	GDX0003	S..	2	N2	2		
872	22	PA	D02261	59		31-51-11	GDX0005	S..	2	N2	1		
873	24	PV	D02261	60		31-51-12	SM00055		W	N2	1		
873Z			D02261	DED		31-51-12	SM00055	REF		N2			
874	24	PV	D02261	62		31-51-11	SM00049		W	N2	1		
874Z			D02261	DED		31-51-11	SM00049	REF		N2			
875	24	PV	D02261	63		31-51-12	SM00056		W	N2	1		
875Z			D02261	DED		31-51-12	SM00056	REF		N2			
876	24	PK	D02261	65		31-51-11	SM00022		W	N2	1		
877	24	PV	D00811	14		31-51-11	SM00018		W	N2	2		

286T0045-309
Wire Bundle Assembly
Figure 112 (Sheet 18)

25-71-02



BOEING
COMPONENT
MAINTENANCE MANUAL

WIRE			FROM EQUIPMENT			TO EQUIPMENT			WIRE INFO				
NUMBER	GA	TYP	NUMBER	TERM	TT	WDM REF	NUMBER	TERM	TT	EMC/SEP	FT	NOTES	EFFECTIVITY
877Z			D00811	DED		31-51-11	SM00018	REF		N2			
878	24	PV	D00811	48		31-51-11	SM00047		W	N2	2		
878Z			D00811	DED		31-51-11	SM00047	REF		N2			
879	24	PV	D00811	23		31-51-11	SM00049		W	N2	2		
879Z			D00811	DED		31-51-11	SM00049	REF		N2			
880	24	PV	D00813	14		31-51-12	SM00054		W	N2	2		
880Z			D00813	DED		31-51-12	SM00054	REF		N2			
881	24	PV	D00813	48		31-51-12	SM00055		W	N2	2		
881Z			D00813	DED		31-51-12	SM00055	REF		N2			
882	24	PV	D00813	23		31-51-12	SM00056		W	N2	2		
882Z			D00813	DED		31-51-12	SM00056	REF		N2			
883	22	PA	D02261	15		38-32-11	D04349J	26		N2	2		
884	22	PA	D02261	47		38-32-11	D04347J	27		N2	2		
885	24	PK	D04303J	9		31-51-21	SM00057		W	N2	1		
886	24	PK	D04507J	3		31-51-21	SM00058		W	N2	1		
887	24	PK	D04507J	1		31-51-21	SM00058		W	N2	1		
888	24	PK	SM00057		W	31-51-21	D04349J	44		N2	1		

286T0045-309
Wire Bundle Assembly
Figure 112 (Sheet 19)

25-71-02

WIRE			FROM EQUIPMENT			TO EQUIPMENT			WIRE INFO				
NUMBER	GA	TYP	NUMBER	TERM	TT	WDM REF	NUMBER	TERM	TT	EMC/SEP	FT	NOTES	EFFECTIVITY
FRB			D00813			31-51-12	D00813	59		N2			
FRD			D00811			31-51-11	D00811	59		N2			
FRG			D04349J	58		31-41-35	D04349J			N2			
FRH			D04349J	61		28-41-11	D04349J			N2			
PA1			D00815	47		99-99-99	D00815	63		N2		DAW-B2	
PA2			D00817	8		99-99-99	D00817	57		N2		DAW-B2	
PA3			D00819	41		99-99-99	D00819	55		N2		DAW-B2	
PA4			D00821	43		99-99-99	D00821	60		N2		DAW-B2	
PA5			D00823	52		99-99-99	D00823	65		N2		DAW-B2	
PA6			D01433	44		99-99-99	D01433	61		N2		DAW-B2	
PA7			D01381	52		99-99-99	D01381	65		N2		DAW-B2	
PA8			D01487	8		99-99-99	D01487	57		N2		DAW-B2	
PA9			D01489	56		99-99-99	D01489	65		N2		DAW-B2	
PB4			D02261	54		99-99-99	D02261	61		N2		DAW-B2	
P01		SE	D11553							N2			
1	22	PA	D00811	60		31-51-11	GDX0001	S..	2	N2	3	UAE-F2	
2	22	PA	D00821	14		31-51-11	GDX0002	D..	2	N2	2		
3	24	PV	D00811	26		31-51-11	D00821	27		N2	3		
003Z			D00811	DED		31-51-11	D00821			N2			
4	24	PV	D00811	49		31-51-11	D00821	32		N2	3		
004Z			D00811	DED		31-51-11	D00821			N2			
5	24	PV	D00811	35		31-51-11	D00821	17		N2	3		
005Z			D00811	DED		31-51-11	D00821			N2			
6	24	PK	SM00022		W	31-51-11	D00821	51		N2	1		
7	24	PK	D00811	65		31-51-11	SM00022		W	N2	2		
8	24	PK	D00819	37		31-51-11	SM00022		W	N2	1		
9	24	PV	D00819	27		31-51-11	D00811	13		N2	3		
009Z			D00811	DED		31-51-11	D00819			N2			
01A			DELETED							N2			VR260-VR264
10	22	PA	D00819	14		31-51-11	GDX0001	D..	2	N2	2		
11	24	PK	D01433	51		31-51-11	SM00022		W	N2	1		
12	24	PV	SM00018		W	31-51-11	D01433	27		N2	1		
012Z			SM00018	REF		31-51-11	D01433			N2			

 286T0045-310
 Wire Bundle Assembly
 Figure 113 (Sheet 1)

25-71-02

 TESTING & TROUBLE SHOOTING
 01 Page 150H
 Nov 01/02



BOEING
COMPONENT
MAINTENANCE MANUAL

WIRE			FROM EQUIPMENT			TO EQUIPMENT			WIRE INFO				
NUMBER	GA	TYP	NUMBER	TERM	TT	WDM REF	NUMBER	TERM	TT	EMC/SEP	FT	NOTES	EFFECTIVITY
13	24	PV	SM00047		W	31-51-11	D01433	32		N2	1		
013Z			SM00047	REF		31-51-11	D01433			N2			
14	24	PV	SM00049		W	31-51-11	D01433	17		N2	1		
014Z			SM00049	REF		31-51-11	D01433			N2			
15	22	PA	D01433	14	W	31-51-11	GDX0001	D..	2	N2	2		
16	20	PA	SM00028		2	31-51-11	GDX0005	D..	2	N2	2		
17	20	UA	GDX0002	S..	2	31-51-11	D00821			N2	2		
18	20	UA	GDX0005	S..	2	31-51-11	D00819			N2	2		
19	20	UA	D01433		2	31-51-11	GDX0002	S..	2	N2	2		
20	20	PA	GDX0005	D..	2	31-51-11	SM00029		W	N2	2		
21	20	UA	GDX0002	S..	2	31-51-11	D01503			N2	2		
23	20	UA	D00815			31-51-11	GDX0002	S..	2	N2	2		
24	24	PK	D04349J	38		31-51-11	SM00005		W	N2	1		
25	24	PK	D01503	A2		31-51-11	SM00005		W	N2	1		
26	20	PA	D01503	A3		31-51-11	GDX0003	D..	2	N2	2		
27	22	PQ	D01503	X2		31-51-11	D00811	75		N2	4		
027Z			D00811	DED		31-51-11	D01503			N2			
28	24	PV	D01503	X1		31-51-11	SM00015		W	N2	1		
028Z			SM00015	REF		31-51-11	D01503			N2			
29	24	PV	D00811	46		31-51-11	SM00015		W	N2	2		
029Z			SM00015	REF		31-51-11	D00811	DED		N2			
30	24	PK	SM00015		W	31-51-11	D11553	35		N2	1		
32	20	PA	D11553	11		31-51-11	GDX0003	D..	2	N2	2		
33	24	PK	D11553	37		31-51-11	D00811	34		N2	4		
34	24	PK	D11553	36		31-51-11	D00811	33		N2	4		
35	22	PA	D00815	14		31-51-11	GDX0001	D..	2	N2	2		
36	24	PV	D00815	27		31-51-11	D00811	12		N2	3		
036Z			D00811	DED		31-51-11	D00815			N2			
37	24	PV	D00815	32		31-51-11	D00811	17		N2	3		
037Z			D00811	DED		31-51-11	D00815			N2			
38	24	PV	D00815	17		31-51-11	D00811	22		N2	3		
038Z			D00811	DED		31-51-11	D00815			N2			
39	24	PK	D00815	54		31-51-11	SM00020		W	N2	1		

286T0045-310
Wire Bundle Assembly
Figure 113 (Sheet 2)

25-71-02

WIRE			FROM EQUIPMENT			TO EQUIPMENT			WIRE INFO				
NUMBER	GA	TYP	NUMBER	TERM	TT	WDM REF	NUMBER	TERM	TT	EMC/ SEP	FT	NOTES	EFFECTIVITY
40	24	PK	D00811	63		31-51-11	SM0020		W	N2	2		
41	24	PK	D00823	35		31-51-11	SM0020		W	N2	1		
42	24	PK	D01381	35		31-51-11	SM0020		W	N2	1		
45	22	PA	D01381	14		31-51-11	GDX0001	D..	2	N2	2		
46	22	PA	D01381	48		31-51-11	GDX0003	D..	2	N2	2		
47	24	PV	D01381	27		31-51-11	D00811	11		N2	3		
047Z			D00811	DED		31-51-11	D01381			N2			
48	24	PV	D01381	32		31-51-11	D00811	16		N2	3		
048Z			D00811	DED		31-51-11	D01381			N2			
49	24	PV	D01381	17		31-51-11	D00811	21		N2	3		
049Z			D00811	DED		31-51-11	D01381			N2			
52	22	PA	D00823	14		31-51-11	GDX0001	D..	2	N2	2		
53	22	PA	D00823	48		31-51-11	GDX0003	D..	2	N2	2		
54	24	PV	D00823	27		31-51-11	D00811	10		N2	3		
054Z			D00811	DED		31-51-11	D00823			N2			
55	24	PV	D00823	32		31-51-11	D00811	15		N2	3		
055Z			D00811	DED		31-51-11	D00823			N2			
56	24	PV	D00823	17		31-51-11	D00811	20		N2	3		
056Z			D00811	DED		31-51-11	D00823			N2			
57	22	PA	D00817	14		31-51-11	GDX0002	D..	2	N2	2		
58	24	PV	D00817	27		31-51-11	D00811	51		N2	3		
058Z			D00811	DED		31-51-11	D00817			N2			
59	24	PV	D00817	32		31-51-11	D00811	74		N2	3		
059Z			D00811	DED		31-51-11	D00817			N2			
60	24	PK	D00817	45		31-51-11	SM0021		W	N2	1		
61	24	PK	D00811	64		31-51-11	SM0021		W	N2	2		
62	24	PK	D01489	16		31-51-11	SM0021		W	N2	1		
63	24	PK	D01487	45		31-51-11	SM0021		W	N2	1		
64	24	PV	D01487	27		31-51-11	D00811	47		N2	3		
064Z			D00811	DED		31-51-11	D01487			N2			
65	24	PV	D01487	32		31-51-11	D00811	70		N2	3		
065Z			D00811	DED		31-51-11	D01487			N2			
66	22	PA	D01487	14		31-51-11	GDX0003	D..	2	N2	2		

286T0045-310
Wire Bundle Assembly
Figure 113 (Sheet 3)

25-71-02

BOEING
 COMPONENT
 MAINTENANCE MANUAL

WIRE			FROM EQUIPMENT			TO EQUIPMENT			WIRE INFO				
NUMBER	GA	TYP	NUMBER	TERM	TT	WDM REF	NUMBER	TERM	TT	EMC/SEP	FT	NOTES	EFFECTIVITY
67	24	PV	D01489	27		31-51-11	D00811	45		N2	3		
067Z			D00811	DED		31-51-11	D01489			N2			
68	24	PV	D01489	32		31-51-11	D00811	50		N2	3		
068Z			D00811	DED		31-51-11	D01489			N2			
69	24	PV	D01489	17		31-51-11	D00811	36		N2	3		
069Z			D00811	DED		31-51-11	D01489			N2			
70	22	PA	D01489	14		31-51-11	GDX0003	D..	2	N2	2		
71	20	UA	D01381			31-51-11	GDX0002	S..	2	N2	2		
72	20	UA	D00823			31-51-11	GDX0002	S..	2	N2	2		
73	20	UA	D00817			31-51-11	GDX0002	S..	2	N2	2		
74	20	PA	SM00026		W	31-51-11	GDX0005	D..	2	N2	2		
75	20	UA	D01487			31-51-11	GDX0005	S..	2	N2	2		
76	20	UA	GDX0005	S..	2	31-51-11	D01489			N2	2		
77	24	PK	D02261	40		31-41-35	D04349J	1		N2	2		
78	20	PA	SM00027		W	31-51-11	GDX0005	D..	2	N2	2		
79	22	PA	D00813	60		31-51-12	GDX0003	S..	2	N2	3	UAE-F2	
80	22	PA	D00821	15		31-51-12	GDX0002	D..	2	N2	2		
81	24	PV	D00821	30		31-51-12	D00813	26		N2	3		
081Z			D00813	DED		31-51-12	D00821			N2			
82	24	PV	D00821	33		31-51-12	D00813	49		N2	3		
082Z			D00813	DED		31-51-12	D00821			N2			
83	24	PV	D00821	24		31-51-12	D00813	35		N2	3		
083Z			D00813	DED		31-51-12	D00821			N2			
84	24	PK	D00821	19		31-51-12	SM00025		W	N2	1		
85	24	PK	D00813	65		31-51-12	SM00025		W	N2	2		
86	24	PK	D00819	3		31-51-12	SM00025		W	N2	1		
87	24	PK	D01433	18		31-51-12	SM00025		W	N2	1		
88	22	PA	D01433	15		31-51-12	GDX0002	D..	2	N2	2		
89	24	PV	D01433	30		31-51-12	SM00054		W	N2	1		
089Z			SM00054	REF		31-51-12	D01433			N2			
90	24	PV	D01433	33		31-51-12	SM00055		W	N2	1		
090Z			SM00055	REF		31-51-12	D01433			N2			
91	24	PV	D01433	24		31-51-12	SM00056		W	N2	1		

286T0045-310
 Wire Bundle Assembly
 Figure 113 (Sheet 4)

25-71-02

WIRE			FROM EQUIPMENT			TO EQUIPMENT			WIRE INFO				
NUMBER	GA	TYP	NUMBER	TERM	TT	WDM REF	NUMBER	TERM	TT	EMC/SEP	FT	NOTES	EFFECTIVITY
091Z			SM00056	REF		31-51-12	D01433			N2			
92	22	PA	D00819	15		31-51-12	GDX0002	D..	2	N2	2		
93	24	FV	D00819	30		31-51-12	D00813	13		N2	3		
093Z			D00813	DED		31-51-12	D00819			N2			
94	20	PA	SM00032		W	31-51-12	GDX0005	D..	2	N2	3		
95	24	FV	D01505	X2		31-51-12	D00813	75		N2			
095Z			D00813	DED		31-51-12	D01505		W	N2			
96	24	FV	D01505	X1		31-51-12	SM00016		W	N2	1		
096Z			SM00016	REF		31-51-12	D01505		W	N2	2		
97	24	FV	D00813	46		31-51-12	SM00016			N2			
097Z			SM00016	REF		31-51-12	D00813	DED		N2			
98	20	PA	SM00033		W	31-51-12	GDX0005	D..	2	N2			
99	24	PK	SM00016		W	31-51-12	D11553	25		N2	1		
10A	24	PK	D01489	21		31-51-33	D04349J	23		N2	2		
100	20	PA	D11553	1		31-51-12	GDX0003	D..	2	N2	2		
101	20	UA	D00821			31-51-12	GDX0004	S..	2	N2	2		
102	20	UA	D00819			31-51-12	GDX0004	S..	2	N2	2		
103	20	UA	D01433			31-51-12	GDX0004	S..	2	N2	2		
104	20	UA	D01505			31-51-12	GDX0005	S..	2	N2	2		
106	20	UA	D00815			31-51-12	GDX0004	S..	2	N2	2		
107	20	UA	D01381			31-51-12	GDX0004	S..	2	N2	2		
109	20	UA	D00817			31-51-12	GDX0004	S..	2	N2	2		
110	20	UA	D01487			31-51-12	GDX0001	S..	2	N2	2		
111	20	UA	D01489			31-51-12	GDX0001	S..	2	N2	2		
112	22	PA	D00815	15		31-51-12	GDX0001	D..	2	N2	2		
113	24	PK	D01505	A2		31-51-12	SM00005		W	N2	1		
114	20	PA	D01505	A3		31-51-12	GDX0003	D..	2	N2	2		
115	24	PK	D02261	21		21-61-81	D04347J	25		N2	2		
116	24	PK	D00815	21		31-51-12	SM00023		W	N2	1		
117	24	PK	D00813	63		31-51-12	SM00023		W	N2	2		
118	24	PK	D00823	1		31-51-12	SM00023		W	N2	1		
119	24	PK	D01381	1		31-51-12	SM00023		W	N2	1		
120	22	PA	D01381	15		31-51-12	GDX0001	D..	2	N2	2		

286T0045-310
Wire Bundle Assembly
Figure 113 (Sheet 5)

25-71-02



BOEING
COMPONENT
MAINTENANCE MANUAL

WIRE			FROM EQUIPMENT			TO EQUIPMENT			WIRE INFO				
NUMBER	GA	TYP	NUMBER	TERM	TT	WDM REF	NUMBER	TERM	TT	EMC/SEP	FT	NOTES	EFFECTIVITY
121	24	PK	D00817	56		31-51-12	SM00024		W	N2	1		
122	24	PK	D00813	64		31-51-12	SM00024		W	N2	2		
123	24	PK	D01487	56		31-51-12	SM00024		W	N2	1		
124	22	PA	D00823	15		31-51-12	GDX0001	D..	2	N2	2		
125	20	UA	D00823			31-51-12	GDX0004	S..	2	N2	2		
126	24	FV	D00823	33		31-51-12	D00813	15		N2	3		
126Z			D00823			31-51-12	D00813	DED		N2			
127	24	FV	D00823	24		31-51-12	D00813	20		N2	3		
127Z			D00823			31-51-12	D00813	DED		N2			
128	22	PA	D00817	15		31-51-12	GDX0002	D..	2	N2	2		
129	24	FV	D00817	30		31-51-12	D00813	51		N2	3		
129Z			D00817			31-51-12	D00813	DED		N2			
130	24	PV	D00817	33		31-51-12	D00813	74		N2	3		
130Z			D00817			31-51-12	D00813	DED		N2			
131	24	PV	D00813	11		31-51-12	D01381	30		N2	3		
131Z			D01381			31-51-12	D00813	DED		N2			
132	24	PV	D00813	16		31-51-12	D01381	33		N2	3		
132Z			D01381			31-51-12	D00813	DED		N2			
133	24	PV	D01381	24		31-51-12	D00813	21		N2	3		
133Z			D01381			31-51-12	D00813	DED		N2			
134	24	PK	D01489	50		31-51-12	SM00024		W	N2	1		
135	24	FV	D01487	30		31-51-12	D00813	47		N2	3		
135Z			D01487			31-51-12	D00813	DED		N2			
136	24	FV	D01487	33		31-51-12	D00813	70		N2	3		
136Z			D01487			31-51-12	D00813	DED		N2			
137	22	PA	D01487	15		31-51-12	D00813	DED		N2			
138	24	FV	D01489	30		31-51-12	GDX0003	D..	2	N2	2		
138Z			D01489			31-51-12	D00813	45		N2	3		
139	24	PV	D01489	33		31-51-12	D00813	DED		N2			
139Z			D01489			31-51-12	D00813	50		N2	3		
140	24	PV	D01489	24		31-51-12	D00813	36		N2	3		
140Z			D01489			31-51-12	D00813	DED		N2			
141	22	PA	D01489	15		31-51-12	GDX0003	D..	2	N2	2		

286T0045-310
Wire Bundle Assembly
Figure 113 (Sheet 6)

25-71-02

WIRE			FROM EQUIPMENT			TO EQUIPMENT			WIRE INFO				
NUMBER	GA	TYP	NUMBER	TERM	TT	WDM REF	NUMBER	TERM	TT	EMC/SEP	FT	NOTES	EFFECTIVITY
142	24	PK	D00813	33		31-51-12	D11553	26		N2	3		
143	24	PK	D11553	27		31-51-12	D00813	34		N2	3		
144	24	PV	D00813	12		31-51-12	D00815	30		N2	3		
144Z			D00813	DED		31-51-12	D00815			N2			
145	20	PA	SM00030		W	31-51-12	GDX0005	D..	2	N2			
146	24	PV	D00813	17		31-51-12	D00815	33		N2	3		
146Z			D00813	DED		31-51-12	D00815			N2			
147	24	PV	D00813	22		31-51-12	D00815	24		N2	3		
147Z			D00813	DED		31-51-12	D00815			N2			
148	24	PV	D00813	10		31-51-12	D00823	30		N2	3		
148Z			D00813	DED		31-51-12	D00823			N2			
149	20	PA	SM00031		W	31-51-12	GDX0005	D..	2	N2			
150	22	PA	D04301J	6		27-32-11	D00823	34		N2	2		
151	24	PK	D04509J	1		27-32-11	D00823	39		N2	2		
152	24	PK	D04347J	26		27-32-11	D00823	40		N2	2		
153	24	PK	D00823	31		27-32-11	D04509J	6		N2	2		
154	20	PA	D04509J	7		27-32-11	GDX0001	D..	2	N2	2		
155	24	PK	SM00037		W	27-32-11	D04511J	3		N2	1		
156	24	PK	D00823	38		27-32-11	D04511J	2		N2	2		
157	24	PK	D04511J	4		27-32-11	SM00050		W	N2	1		
158	24	PK	SM00037		W	27-32-11	D00823	4		N2	1		
159	24	PK	D04349J	14		27-32-11	D00823	36		N2	1		
160	24	PK	D04349J	15		27-32-11	D00823	3		N2	1		
161	24	PK	D04349J	16		27-32-11	D00823	43		N2	1		
162	24	PK	D04349J	10		27-32-11	D00823	2		N2	1		
165	22	PA	D04349J	11		27-32-21	D01381	34		N2	2		
166	24	PK	D01381	40		27-32-21	D04349J	6		N2	2		
167	24	PK	D01381	31		27-32-21	D04511J	7		N2	2		
168	20	PA	GDX0002	D..	2	27-32-21	D04511J	8		N2	2		
169	24	PK	D04349J	34		27-32-21	D01381	36		N2	2		
170	24	PK	D04349J	35		27-32-21	D01381	3		N2	2		
171	24	PK	D04349J	36		27-32-21	D01381	43		N2	2		
172	24	PK	D04349J	37		27-32-21	D01381	2		N2	2		

286T0045-310
Wire Bundle Assembly
Figure 113 (Sheet 7)

25-71-02



BOEING
COMPONENT
MAINTENANCE MANUAL

WIRE			FROM EQUIPMENT			TO EQUIPMENT			WIRE INFO				
NUMBER	GA	TYP	NUMBER	TERM	TT	WDM REF	NUMBER	TERM	TT	EMC/SEP	FT	NOTES	EFFECTIVITY
173	24	PK	D04511J	13		27-32-21	D01381	4		N2	2		
174	24	PK	D04511J	16		27-32-21	D01381	37		N2	2		
175	24	PK	D04511J	15		27-32-21	D01381	38		N2	2		
176	24	PK	D04509J	8		27-32-21	D01381	39		N2	2		
177	24	PK	D00815	34		31-51-21	SM00057		W	N2	1		
178	24	PK	D00815	43		31-51-21	D01433	19		N2	2		
179	24	PK	D00815	10		31-51-21	D00819	5		N2	2		
180	24	PK	D04507J	5		31-51-21	SM00034		W	N2	1		
181	24	PK	SM00058		W	31-51-21	D00815	66		N2	1		
182	24	PK	D00815	4		31-51-21	SM00034		W	N2	1		
183	24	PK	D00815	11		31-51-21	D04349J	39		N2	2		
184	22	PA	D00815	37		31-51-21	SM00035		W	N2	1		
185	22	PA	D00815	42		31-51-21	SM00036		W	N2	1		
186	24	PK	D04349J	5		31-51-21	SM00012		W	N2	1		
187	24	PK	D00815	2		31-51-21	SM00012		W	N2	1		
188	24	PK	SM00011		W	31-51-21	D04349J	4		N2	1		
189	24	PK	SM00011		W	31-51-21	D00815	35		N2	1		
190	24	PK	D04349J	44		31-51-21	SM00009		W	N2	1		
191	24	PK	D00815	44		31-51-21	SM00009		W	N2	1		
192	24	PK	D04347J	10		31-51-21	SM00008		W	N2	1		
193	24	PK	D00815	1		31-51-21	SM00008		W	N2	1		
196	24	PK	SM00039		W	31-51-21	D04347J	21		N2	1		
197	24	PK	D00815	45		31-51-21	SM00039		W	N2	1		
198	24	PK	D00815	46		31-51-21	D04347J	6		N2	2		
199	20	PA	GDX0004	S..	2	31-51-31	D04597J	14		N2	2		
201B	24	PW	D01489	43		31-51-33	SM00004		W	N2	1		
201R	24	PW	D01489	9		31-51-33	SM00003		W	N2			
201Z			D01489	DED		31-51-33	SM00003	REF		N2			
204	20	UA	D04507J			27-32-11	GDX0004	S..	2	N2	2		
204B	24	PW	D00823	18		27-32-11	D04507J	12		N2	1		
204R	24	PW	D00823	16		27-32-11	D04507J	11		N2			
204Z			D00823	DED		27-32-11	D04507J			N2			
205B	24	PW	D00815	19		31-51-21	SM00007		W	N2	1		

286T0045-310
Wire Bundle Assembly
Figure 113 (Sheet 8)

25-71-02

WIRE			FROM EQUIPMENT			TO EQUIPMENT			WIRE INFO				
NUMBER	GA	TYP	NUMBER	TERM	TT	WDM REF	NUMBER	TERM	TT	EMC/ SEP	FT	NOTES	EFFECTIVITY
205R	24	PW	D00815	52		31-51-21	SM00006		W	N2			
205Z			D00815	DED		31-51-21	SM00006	REF		N2	2		
207	20	UA	D04597J			31-51-21	GDX0004	S..	2	N2	1		
207B	24	PW	SM00007		W	31-51-21	D04597J	4		N2			
207R	24	PW	SM00006		W	31-51-21	D04597J	3		N2			
207Z			SM00006	REF		31-51-21	D04597J			N2			
208	20	UA	D04301J			34-16-11	GDX0002	S..	2	N2	2		
208B	24	PW	D00821	36		34-16-11	D04301J	9		N2	2		
208R	24	PW	D00821	2		34-16-11	D04301J	8		N2			
208Z			D00821	DED		34-16-11	D04301J			N2			
209B	24	PW	D01489	46		31-51-33	SM00007		W	N2	1		
209R	24	PW	D01489	12		31-51-33	SM00006		W	N2			
209Z			D01489	DED		31-51-33	SM00006	REF		N2			
212B	24	PW	D01433	36		31-51-42	SM00007		W	N2	1		
212R	24	PW	D01433	2		31-51-42	SM00006		W	N2			
212Z			D01433	DED		31-51-42	SM00006	REF		N2			
213	20	UA	D04507J			34-16-11	GDX0004	S..	2	N2	2		
213B	24	PW	D00821	35		34-16-11	D04507J	8		N2	2		
213R	24	PW	D00821	1		34-16-11	D04507J	9		N2			
213Z			D00821	DED		34-16-11	D04507J			N2			
214	20	UA	D04349J			34-16-11	GDX0004	S..	2	N2	2		
214B	24	PW	D00821	37		34-16-11	D04349J	19		N2	2		
214R	24	PW	D00821	3		34-16-11	D04349J	18		N2			
214Z			D00821	DED		34-16-11	D04349J			N2			
215B	24	PL	D01487	24		31-51-31	D04597J	12		N2	2		
215R	24	PL	D01487	23		31-51-31	D04597J	13		N2			
216B	24	PL	D00817	24		31-51-32	D04303J	12		N2	2		
216R	24	PL	D00817	23		31-51-32	D04303J	11		N2			
221B	24	PW	D01489	45		31-51-33	SM00004		W	N2	1		
221R	24	PW	D01489	11		31-51-33	SM00003		W	N2			
221Z			D01489	DED		31-51-33	SM00003	REF		N2			
223B	24	PW	D00821	38		34-16-11	SM00004		W	N2	1		
223R	24	PW	D00821	4		34-16-11	SM00003		W	N2			

286T0045-310
Wire Bundle Assembly
Figure 113 (Sheet 9)

25-71-02



BOEING
COMPONENT
MAINTENANCE MANUAL

WIRE			FROM EQUIPMENT			TO EQUIPMENT			WIRE INFO				
NUMBER	GA	TYP	NUMBER	TERM	TT	WDM REF	NUMBER	TERM	TT	EMC/SEP	FT	NOTES	EFFECTIVITY
223Z			D00821	DED		34-16-11	SM00003	REF		N2			
224	20	UA	D04349J			27-32-21	GDX0004	S..	2	N2	2		
224B	24	PW	D04349J	28		27-32-21	D01381	18		N2	2		
224R	24	PW	D04349J	27		27-32-21	D01381	16		N2			
224Z			D04349J			27-32-21	D01381	DED		N2			
225B	22	PR	D00811	69		31-51-11	SM00060		W	N2	2		
225R	22	PR	D00811	68		31-51-11	SM00060		W	N2			
225Z			D00811	DED		31-51-11	SM00028	REF		N2			
226B	22	PR	D00813	69		31-51-12	SM00061		W	N2	2		
226R	22	PR	D00813	68		31-51-12	SM00061		W	N2			
226Z			D00813	DED		31-51-12	SM00030	REF		N2			
230	20	UA	D04347J			31-51-33	GDX0003	S..	2	N2	2		
230B	24	PW	D04347J	18		31-51-33	SM00004		W	N2	1		
230R	24	PW	D04347J	17		31-51-33	SM00003		W	N2			
230Z			D04347J			31-51-33	SM00003	REF		N2			
236	20	UA	D04347J			27-32-11	GDX0001	S..	2	N2	2		
236B	24	PW	D04347J	37		27-32-11	D00823	54		N2	2		
236R	24	PW	D04347J	36		27-32-11	D00823	23		N2			
236Z			D04347J			27-32-11	D00823	DED		N2			
237B	24	PW	D04347J	40		27-32-11	D00823	13		N2	2		
237R	24	PW	D04347J	39		27-32-11	D00823	12		N2			
237Z			D04347J			27-32-11	D00823	DED		N2			
238	20	UA	D04349J			27-32-21	GDX0001	S..	2	N2	2		
238B	24	PW	D04349J	49		27-32-21	D01381	54		N2	2		
238R	24	PW	D04349J	48		27-32-21	D01381	23		N2			
238Z			D04349J			27-32-21	D01381	DED		N2			
239B	24	PW	D01381	20		27-32-21	D04349J	55		N2	2		
239R	24	PW	D01381	19		27-32-21	D04349J	54		N2			
239Z			D01381	DED		27-32-21	D04349J	54		N2			
240B	24	PL	D04347J	23		31-51-31	SM00080		W	N2	1		
240R	24	PL	D04347J	22		31-51-31	SM00042		W	N2			
241B	24	PL	D01487	60		31-51-31	SM00080		W	N2	1		
241R	24	PL	D01487	28		31-51-31	SM00042		W	N2			

286T0045-310
Wire Bundle Assembly
Figure 113 (Sheet 10)

25-71-02

WIRE			FROM EQUIPMENT			TO EQUIPMENT			WIRE INFO				
NUMBER	GA	TYP	NUMBER	TERM	TT	WDM REF	NUMBER	TERM	TT	EMC/SEP	FT	NOTES	EFFECTIVITY
242B	24	PL	D00817	60		31-51-32	SM00080		W	N2	1		
242R	24	PL	D00817	28		31-51-32	SM00042		W	N2	2		
243B	24	PW	D04349J	52		27-32-21	D01381	13		N2			
243R	24	PW	D04349J	51		27-32-21	D01381	12		N2			
243Z	24	PW	D04349J			27-32-21	D01381	DED		N2			
245B	24	PW	D00823	20		27-32-11	D04347J	48		N2	2		
245R	24	PW	D00823	19		27-32-11	D04347J	47		N2			
245Z	24	PW	D00823	DED		27-32-11	D04347J			N2			
247	20	UA	D04349J			31-41-35	GDX0006	S..	2	N2	2		
247B	24	PW	D02261	42		31-41-35	D04349J	57		N2	2		
247R	24	PW	D02261	43		31-41-35	D04349J	56		N2			
247Z	24	PW	D02261	DED		31-41-35	D04349J			N2			
248	20	UA	D04349J			28-41-11	GDX0006	S..	2	N2	2		
248B	24	PW	D02261	5		28-41-11	D04349J	60		N2	2		
248R	24	PW	D02261	8		28-41-11	D04349J	59		N2			
248Z	24	PW	D02261	DED		28-41-11	D04349J			N2			
271B	24	PL	D04597J	5		31-51-31	SM00088		W	N2	1		
271R	24	PL	D04597J	2		31-51-31	SM00087		W	N2			
272B	24	PL	D01487	63		31-51-31	SM00088		W	N2	1		
272R	24	PL	D01487	62		31-51-31	SM00087		W	N2			
273B	24	PL	D00817	63		31-51-32	SM00088		W	N2	1		
273R	24	PL	D00817	62		31-51-32	SM00087		W	N2			
290B	24	PW	D04597J	8		34-43-15	SM00104		W	N2	1		
290R	24	PW	D04597J	7		34-43-15	SM00103		W	N2			
290Z	24	PW	D04597J	9		34-43-15	SM00103	REF		N2			
291B	24	PW	D04303J	4		34-43-15	SM00104		W	N2	1		
291R	24	PW	D04303J	3		34-43-15	SM00103		W	N2			
291Z	24	PW	D04303J	5		34-43-15	SM00103	REF		N2			
292B	24	PW	D04347J	53		34-43-15	SM00104		W	N2	1		
292R	24	PW	D04347J	51		34-43-15	SM00103		W	N2			
292Z	24	PW	D04347J	61		34-43-15	SM00103	REF		N2			
301	20	UA	SM00028	REF		31-51-11	GDX0005	S..	2	N2	1		
301B	22	PS	D00811	57		31-51-11	SM00028		W	N2	2		

286T0045-310
Wire Bundle Assembly
Figure 113 (Sheet 11)

25-71-02



BOEING
COMPONENT
MAINTENANCE MANUAL

WIRE			FROM EQUIPMENT			TO EQUIPMENT			WIRE INFO				
NUMBER	GA	TYP	NUMBER	TERM	TT	WDM REF	NUMBER	TERM	TT	EMC/SEP	FT	NOTES	EFFECTIVITY
301R	22	PS	D00811	38		31-51-11	SM00028		W	N2			
301Y	22	PS	D00811	58		31-51-11	SM00028		W	N2			
301Z			D00811	DED		31-51-11	SM00028	REF		N2			
302B	22	PS	D00811	42		31-51-11	SM00029		W	N2	2		
302R	22	PS	D00811	41		31-51-11	SM00029		W	N2			
302Y	22	PS	D00811	43		31-51-11	SM00029		W	N2			
302Z			D00811	DED		31-51-11	SM00028	REF		N2			
303B	22	PS	D00811	8		31-51-11	SM00026		W	N2	2		
303R	22	PS	D00811	7		31-51-11	SM00026		W	N2			
303Y	22	PS	D00811	9		31-51-11	SM00026		W	N2			
303Z			D00811	DED		31-51-11	SM00028	REF		N2			
304B	22	PS	D00811	25		31-51-11	SM00027		W	N2	2		
304R	22	PS	D00811	24		31-51-11	SM00027		W	N2			
304Y	22	PS	D00811	37		31-51-11	SM00027		W	N2			
304Z			D00811	DED		31-51-11	SM00028	REF		N2			
305	20	UA	SM00030	REF		31-51-12	GDX0005	S..	2	N2	1		
305B	22	PS	D00813	8		31-51-12	SM00030		W	N2	2		
305R	22	PS	D00813	7		31-51-12	SM00030		W	N2			
305Y	22	PS	D00813	9		31-51-12	SM00030		W	N2			
305Z			D00813	DED		31-51-12	SM00030	REF		N2			
306B	22	PS	D00813	25		31-51-12	SM00031		W	N2	2		
306R	22	PS	D00813	24		31-51-12	SM00031		W	N2			
306Y	22	PS	D00813	37		31-51-12	SM00031		W	N2			
306Z			D00813	DED		31-51-12	SM00030	REF		N2			
307B	22	PS	D00813	57		31-51-12	SM00032		W	N2	2		
307R	22	PS	D00813	38		31-51-12	SM00032		W	N2			
307Y	22	PS	D00813	58		31-51-12	SM00032		W	N2			
307Z			D00813	DED		31-51-12	SM00030	REF		N2			
308B	22	PS	D00813	42		31-51-12	SM00033		W	N2	2		
308R	22	PS	D00813	41		31-51-12	SM00033		W	N2			
308Y	22	PS	D00813	43		31-51-12	SM00033		W	N2			
308Z			D00813	DED		31-51-12	SM00030	REF		N2			
512	24	PK	D02261	20		27-81-31	D04349J	8		N2	2		

286T0045-310
Wire Bundle Assembly
Figure 113 (Sheet 12)

25-71-02

TESTING & TROUBLE SHOOTING
01 Page 150S
Nov 01/02

WIRE			FROM EQUIPMENT			TO EQUIPMENT			WIRE INFO				
NUMBER	GA	TYP	NUMBER	TERM	TT	WDM REF	NUMBER	TERM	TT	EMC/SEP	FT	NOTES	EFFECTIVITY
513	24	PK	D00823	41		27-32-12	SM00082		W	N2	1		
514	24	PK	D01381	41		27-32-22	SM00085		W	N2	1		
516	24	PK	D04347J	50		26-16-31	D02261	6		N2	2		
517	24	PK	D04349J	26		26-16-31	D02261	39		N2	2		
519	24	PK	D00815	36		31-51-21	D04347J	29		N2	2		
520	24	PK	D01489	3		31-51-33	D04347J	31		N2	2		
601	20	PA	SM00060		W	31-51-11	GDX0004	D..	2	N2			
602	20	PA	SM00061		W	31-51-12	GDX0005	D..	2	N2			
603	24	PV	D04301J	5		31-51-12	M01103	INE	D	N2	1		
603Z			D04301J	DED		31-51-12	M01103	GND	D	N2			
604	24	PV	D04301J	4		31-51-12	D00813	4		N2	3		
604Z			D04301J	DED		31-51-12	D00813			N2			
605	24	PV	D00813	1		31-51-12	M01103	OAD	D	N2	3		
605Z			D00813	DED		31-51-12	M01103	DED	D	N2			
606	24	PV	D04349J	32		31-51-11	M01102	INE	D	N2	1		
606Z			D04349J	DED		31-51-11	M01102	GND	D	N2			
607	24	PV	D04349J	33		31-51-11	M01102	4		N2	3		
607Z			D04349J	DED		31-51-11	D00811			N2			
608	24	PV	D00811	1		31-51-11	M01102	OAD	D	N2	3		
608Z			D00811	DED		31-51-11	M01102	DED	D	N2			
610	24	PK	D00823	37		27-32-11	SM00050		W	N2	1		
611	24	PK	D01433	6		31-51-42	D04347J	20		N2	2		
612	24	PK	D01433	4		31-51-42	SM00050		W	N2	1		
613	24	PK	D04349J	30		31-51-31	SM00065		W	N2	1		
614	24	PK	D01487	52		31-51-31	SM00065		W	N2	1		
615	24	PK	D00817	52		31-51-32	SM00065		W	N2	1		
617	24	PK	D01381	11		27-32-12	D00823	56		N2	1		
618	24	PK	D01381	56		27-32-12	D00823	11		N2	1		
619	24	PK	D00823	45		27-32-12	SM00082		W	N2	1		
620	24	PK	D04349J	29		31-51-21	SM00071		W	N2	1		
621	24	PK	D00815	7		31-51-21	SM00071		W	N2	1		
622	24	PK	D01489	2		31-51-33	SM00071		W	N2	1		
623	24	PK	D01489	36		31-51-33	SM00038		W	N2	1		

286T0045-310
Wire Bundle Assembly
Figure 113 (Sheet 13)

25-71-02



BOEING
COMPONENT
MAINTENANCE MANUAL

WIRE			FROM EQUIPMENT			TO EQUIPMENT			WIRE INFO				
NUMBER	GA	TYP	NUMBER	TERM	TT	WDM REF	NUMBER	TERM	TT	EMC/SEP	FT	NOTES	EFFECTIVITY
624	24	PK	D00815	8		31-51-21	SM00045		W	N2	1		
625	24	PK	D01487	9		31-51-31	SM00034		W	N2	1		
628	22	PA	D01487	20		31-51-31	GDX0006	D..	2	N2	2		
629	22	PA	D01487	53		31-51-31	GDX0006	D..	2	N2	2		
630	22	PA	D01487	21		31-51-31	GDX0006	D..	2	N2	2		
631	24	PK	D00817	9		31-51-32	SM00034		W	N2	1		
644	22	PQ	D00823	66		27-32-31	D04347J	42		N2	2		
644Z			D00823	DED		27-32-31	D04347J	DED		N2			
646	22	PQ	D01381	66		27-32-31	D04349J	42		N2	2		
646Z			D01381	DED		27-32-31	D04349J	DED		N2			
648	24	PK	D04347J	32		34-16-11	D00821	40		N2	2		
649	24	PK	D04347J	33		34-16-11	SM00038		W	N2	1		
681	24	PK	D01433	10		31-51-43	D04507J	10		N2	2		
682	24	PK	D01433	13		31-51-43	D04347J	46		N2	2		
683	22	PA	D01433	41		31-51-43	SM00081		W	N2	1		
684	20	PA	GDX0001	D..	2	31-51-43	D04349J	47		N2	2		
685	24	PK	D00823	58		27-32-12	D01505	A1		N2	2		
686	24	PK	D00823	8		27-32-11	SM00038		W	N2	1		
687	24	PK	D00823	64		27-32-11	SM00081		W	N2	1		
688	24	PK	D01381	58		27-32-22	D01503	A1		N2	2		
689	24	PK	D01381	45		27-32-22	SM00085		W	N2	1		
692	24	PK	D01381	8		27-32-21	SM00038		W	N2	1		
693	24	PK	D04347J	30		31-51-21	D00815	6		N2	2		
694	22	PA	D04349J	46		31-51-43	SM00081		W	N2	1		
696	20	PA	GDX0003	D..	2	27-32-12	SM00082		W	N2	1		
697	20	PA	GDX0003	D..	2	27-32-22	SM00085		W	N2	1		
701	24	PK	D00815	49		31-51-21	D00815	22		N2			
702	24	PK	D00815	16		31-51-21	D00815	48		N2			
703	24	PK	D00819	6		31-51-41	SM00019		W	N2	1		
704	24	PK	SM00075		W	31-51-41	D04511J	14		N2	1		
705	24	PK	D00819	45		31-51-41	D04511J	12		N2	2		
706	24	PK	D00819	10		31-51-41	D04349J	31		N2	2		
707	24	PK	D00819	21		31-51-41	D04509J	4		N2	2		

286T0045-310
Wire Bundle Assembly
Figure 113 (Sheet 14)

25-71-02

WIRE			FROM EQUIPMENT			TO EQUIPMENT			WIRE INFO				
NUMBER	GA	TYP	NUMBER	TERM	TT	WDM REF	NUMBER	TERM	TT	EMC/SEP	FT	NOTES	EFFECTIVITY
708	24	PK	D00819	9		31-51-41	D04349J	7		N2	2		
709	24	PK	D00819	39		31-51-41	SM00044		W	N2	1		
710	24	PK	D00819	43		31-51-41	SM00037		W	N2	1		
711	24	PK	D00819	12		31-51-41	D04349J	21		N2	2		
712	24	PK	D00819	53		31-51-41	D04349J	3		N2	2		
713	24	PK	D00819	20		31-51-41	D04347J	9		N2	2		
714	24	PK	D00819	44		31-51-41	D04349J	24		N2	2		
715	24	PK	D04507J	6		31-51-42	SM00019		W	N2	1		
716	24	PK	D01433	34		31-51-42	SM00019		W	N2	1		
717	24	PK	D01433	37		31-51-42	SM00034		W	N2	1		
718	24	PK	D01433	39		31-51-42	D04509J	2		N2	2		
720	24	PK	D01433	52		31-51-42	SM00040		W	N2	1		
721	24	PK	D01433	38		31-51-42	D04347J	24		N2	2		
722	24	PK	D01433	5		31-51-42	D04349J	22		N2	2		
723	24	PK	D04511J	11		31-51-42	SM00038		W	N2	1		
724	24	PK	D01433	40		31-51-42	SM00038		W	N2	1		
725	24	PK	D01433	3		31-51-42	D04347J	13		N2	2		
726	22	PA	D04347J	14		31-51-21	SM00036		W	N2	1		
727	22	PA	D04301J	11		31-51-21	SM00035		W	N2	1		
728	24	PK	D04347J	1		31-51-41	D00819	35		N2	2		
729	24	PK	D04347J	2		31-51-41	D00819	1		N2	2		
730	24	PK	D04347J	3		31-51-41	D00819	36		N2	2		
731	24	PK	D04347J	4		31-51-41	D00819	2		N2	2		
732	24	PK	D04347J	5		31-51-42	D01433	20		N2	2		
733	24	PK	D04347J	16		34-16-11	D00821	65		N2	2		
734	24	PK	D04347J	8		31-51-31	SM00046		W	N2	1		
735	24	PK	D04507J	7		34-16-11	D00821	34		N2	2		
736	24	PK	D04507J	2		34-16-11	D00821	66		N2	2		
737	24	PK	SM00041		W	34-16-11	D00821	31		N2	1		
738	24	PK	D04347J	19		34-16-11	D00821	7		N2	2		
739	24	PK	SM00075		W	34-16-11	D00821	6		N2	2		
741	24	PK	D00821	18		34-16-11	D00821	22		N2	2		
742	24	PK	D00821	50		34-16-11	D00821	48		N2	2		

286T0045-310
Wire Bundle Assembly
Figure 113 (Sheet 15)

25-71-02



BOEING
COMPONENT
MAINTENANCE MANUAL

WIRE			FROM EQUIPMENT			TO EQUIPMENT			WIRE INFO				
NUMBER	GA	TYP	NUMBER	TERM	TT	WDM REF	NUMBER	TERM	TT	EMC/SEP	FT	NOTES	EFFECTIVITY
746	24	PK	D04597J	10		31-51-31	SM00043		W	N2	1		
747	24	PK	D01487	46		31-51-31	SM00043		W	N2	1		
748	24	PK	D04347J	7		31-51-31	SM00045		W	N2	1		
749	24	PK	D01487	10		31-51-31	SM00045		W	N2	1		
750	24	PK	D01487	19		31-51-31	SM00046		W	N2	1		
751	24	PK	D01487	13		31-51-31	SM00040		W	N2	1		
752	24	PK	D01487	47		31-51-31	SM00044		W	N2	1		
753	24	PK	D01487	51		31-51-31	SM00041		W	N2	1		
755	24	PV	D01487	1		31-51-31	SM00035		W	N2	1		
755Z			D01487	DED		31-51-31	SM00035	DED		N2			
756	24	PK	D01487	50		31-51-31	SM00036		W	N2	1		
757	24	PK	D01487	11		31-51-31	SM00039		W	N2	1		
758	24	PK	D01487	22		31-51-31	D01489	23		N2	2		
759	24	PK	D01487	55		31-51-31	D01489	47		N2	2		
760	24	PK	D01487	34		31-51-31	D01489	51		N2	2		
761	24	PK	D01487	66		31-51-31	D01489	57		N2	2		
762	24	PK	D00817	10		31-51-32	SM00045		W	N2	1		
763	24	PK	D00817	46		31-51-32	SM00043		W	N2	1		
764	24	PV	D00817	1		31-51-32	SM00035		W	N2	1		
764Z			D00817	DED		31-51-32	SM00035	DED		N2			
765	24	PK	D00817	50		31-51-32	SM00036		W	N2	1		
766	24	PV	D00817	11		31-51-32	SM00053		W	N2	1		
766Z			D00817	DED		31-51-32	SM00053	DED		N2			
767	24	PK	D00817	19		31-51-32	SM00046		W	N2	1		
768	24	PK	D00817	13		31-51-32	SM00040		W	N2	1		
769	24	PK	D00817	47		31-51-32	SM00044		W	N2	1		
770	24	PK	D00817	51		31-51-32	SM00041		W	N2	1		
772	24	PK	D00817	22		31-51-32	D01489	54		N2	2		
773	24	PK	D00817	55		31-51-32	D01489	13		N2	2		
774	24	PK	D00817	34		31-51-32	D01489	25		N2	2		
775	24	PK	D00817	66		31-51-32	D01489	58		N2	2		
776	24	PK	D01489	42		31-51-33	D04347J	15		N2	2		
777	24	PK	D01489	8		31-51-33	D04349J	13		N2	2		

286T0045-310
Wire Bundle Assembly
Figure 113 (Sheet 16)

25-71-02

WIRE			FROM EQUIPMENT			TO EQUIPMENT			WIRE INFO				
NUMBER	GA	TYP	NUMBER	TERM	TT	WDM REF	NUMBER	TERM	TT	EMC/SEP	FT	NOTES	EFFECTIVITY
779	24	PK	D01489	35		31-51-33	D04349J	40		N2	2		
780	24	PK	D01489	53		31-51-33	D04349J	2		N2	2		
781	24	PK	D01489	31		31-51-33	D01489	48		N2			
782	24	PK	D01489	18		31-51-33	D01489	22		N2			
783	24	PK	D01489	38		31-51-33	SM00008		W	N2	1		
784	24	PK	D01489	4		31-51-33	SM00011		W	N2	1		
785	24	PK	D01489	37		31-51-33	SM00012		W	N2	1		
787	24	PK	D01489	1		31-51-33	SM00009		W	N2	1		
788	24	PK	D01489	6		31-51-33	SM00034		W	N2	1		
789	24	PK	D01489	41		31-51-33	D04509J	11		N2	2		
793	24	PK	D00819	11		31-51-41	SM00075		W	N2	1		
794	20	PA	D04303J	10		31-51-32	GDX0004	S..	2	N2	2		
795	24	PK	D01433	9		31-51-42	D01433	48		N2			
796	24	PK	D01433	22		31-51-42	D01433	50		N2			
797	24	PV	D00815	41		31-51-21	SM00053		W	N2	1		
797Z			D00815	DED		31-51-21	SM00053	DED		N2			
798	24	PV	D04349J	9		31-51-21	SM00053	DED	W	N2	1		
798Z			D04349J	DED		31-51-21	SM00053	DED		N2			
817	24	PK	D00823	55		27-32-12	D11553	6		N2	2		
818	24	PK	D00823	21		27-32-12	D11553	4		N2	2		
819	24	PK	D00823	51		27-32-12	D11553	3		N2	2		
820	24	PK	D00823	50		27-32-12	D11553	2		N2	2		
821	24	PK	D00823	49		27-32-12	D11553	7		N2	2		
822	24	PK	D00823	47		27-32-12	D11553	8		N2	2		
823	24	PK	D00823	46		27-32-12	D11553	9		N2	2		
824	24	PK	D00823	53		27-32-12	D11553	5		N2	2		
825	24	PK	D00823	62		27-32-12	D11553	24		N2	2		
826	24	PK	D01381	55		27-32-22	D11553	16		N2	2		
827	24	PK	D01381	21		27-32-22	D11553	14		N2	2		
828	24	PK	D01381	51		27-32-22	D11553	13		N2	2		
829	24	PK	D01381	50		27-32-22	D11553	12		N2	2		
830	24	PK	D01381	49		27-32-22	D11553	17		N2	2		
831	24	PK	D01381	47		27-32-22	D11553	18		N2	2		

286T0045-310
Wire Bundle Assembly
Figure 113 (Sheet 17)

25-71-02



BOEING
COMPONENT
MAINTENANCE MANUAL

WIRE			FROM EQUIPMENT			TO EQUIPMENT			WIRE INFO				
NUMBER	GA	TYP	NUMBER	TERM	TT	WDM REF	NUMBER	TERM	TT	EMC/SEP	FT	NOTES	EFFECTIVITY
832	24	PK	D01381	46		27-32-22	D11553	19		N2	2		
833	24	PK	D01381	53		27-32-22	D11553	15		N2	2		
834	24	PK	D01381	62		27-32-22	D11553	34		N2	2		
835	24	PK	D04349J	50		27-32-21	D01381	64		N2	2		
836	20	PA	D04349J	53		27-32-21	GDX0002	S..	2	N2	2		
837	24	PK	D00823	42		27-32-22	SM00082		W	N2	1		
838	24	PK	D01381	42		27-32-22	SM00085		W	N2	1		
842	24	PK	D01381	6		27-32-22	SM00085		W	N2	1		
843	24	PK	D00823	6		27-32-12	SM00082		W	N2	1		
862	22	PA	D02261	30		31-41-35	GDX0006	S..	2	N2	1		
863	22	PA	D02261	32		31-41-35	GDX0006	S..	2	N2	1		
864	22	PA	D02261	33		31-41-35	GDX0006	S..	2	N2	1		
865	22	PA	D02261	64		31-41-35	GDX0006	S..	2	N2	1		
866	24	PV	D02261	27		31-51-11	SM00018		W	N2	1		
866Z			D02261	DED		31-51-11	SM00018	REF		N2	1		
867	24	PV	D02261	28		31-51-11	SM00047		W	N2	1		
867Z			D02261	DED		31-51-11	SM00047	REF		N2	1		
868	24	PV	D02261	29		31-51-12	SM00054		W	N2	1		
868Z			D02261	DED		31-51-12	SM00054	REF		N2	1		
869	24	PK	D02261	34		31-51-12	SM00025		W	N2	1		
870	22	PA	D02261	56		31-51-12	GDX0001	S..	2	N2	2		
871	22	PA	D02261	57		31-51-12	GDX0003	S..	2	N2	2		
872	22	PA	D02261	59		31-51-11	GDX0005	S..	2	N2	1		
873	24	PV	D02261	60		31-51-12	SM00055		W	N2	1		
873Z			D02261	DED		31-51-12	SM00055	REF		N2	1		
874	24	PV	D02261	62		31-51-11	SM00049		W	N2	1		
874Z			D02261	DED		31-51-11	SM00049	REF		N2	1		
875	24	PV	D02261	63		31-51-12	SM00056		W	N2	1		
875Z			D02261	DED		31-51-12	SM00056	REF		N2	1		
876	24	PK	D02261	65		31-51-11	SM00022		W	N2	1		
877	24	PV	D00811	14		31-51-11	SM00018		W	N2	2		
877Z			D00811	DED		31-51-11	SM00018	REF		N2	2		
878	24	PV	D00811	48		31-51-11	SM00047		W	N2	2		

286T0045-310
Wire Bundle Assembly
Figure 113 (Sheet 18)

25-71-02

WIRE			FROM EQUIPMENT			TO EQUIPMENT			WIRE INFO					
NUMBER	GA	TYP	NUMBER	TERM	TT	WDM	REF	NUMBER	TERM	TT	EMC/ SEP	FT	NOTES	EFFECTIVITY
878Z			D00811	DED		31-51-11		SM00047	REF		N2			
879	24	PV	D00811	23		31-51-11		SM00049		W	N2	2		
879Z			D00811	DED		31-51-11		SM00049	REF		N2			
880	24	PV	D00813	14		31-51-12		SM00054		W	N2	2		
880Z			D00813	DED		31-51-12		SM00054	REF		N2			
881	24	PV	D00813	48		31-51-12		SM00055		W	N2	2		
881Z			D00813	DED		31-51-12		SM00055	REF		N2			
882	24	PV	D00813	23		31-51-12		SM00056		W	N2	2		
882Z			D00813	DED		31-51-12		SM00056	REF		N2			
885	24	PK	D04303J	9		31-51-21		SM00057		W	N2	1		
886	24	PK	D04507J	3		31-51-21		SM00058		W	N2	1		
887	24	PK	D04507J	1		31-51-21		SM00058		W	N2	1		
888	24	PK	SM00057		W	31-51-21		D04349J	25		N2	1		

286T0045-310
 Wire Bundle Assembly
 Figure 113 (Sheet 19)

25-71-02

TESTING & TROUBLE SHOOTING
 01 Page 150Z
 Nov 01/02



BOEING
COMPONENT
MAINTENANCE MANUAL

WIRE		FROM EQUIPMENT		TO EQUIPMENT		WIRE INFO							
NUMBER	GA	TYP	NUMBER	TERM	TT	WDM REF	NUMBER	TERM	TT	EMC/ SEP	FT	NOTES	EFFECTIVITY
FRA			M01103			31-51-12	M01103	GND	D	N2			
FRB			D00813			31-51-12	D00813	59		N2			
FRC			M01102			31-51-11	M01102	GND	D	N2			
FRD			D00811			31-51-11	D00811	59		N2			
FRG			D04349J	58		31-41-35	D04349J	REF		N2			
FRH			D04349J	61		28-41-11	D04349J	REF		N2			
FA1			D00815	47		99-99-99	D00815	63		N2		DAW-B2	
FA2			D00817	8		99-99-99	D00817	57		N2		DAW-B2	
FA3			D00819	41		99-99-99	D00819	55		N2		DAW-B2	
FA4			D00821	43		99-99-99	D00821	60		N2		DAW-B2	
FA5			D00823	52		99-99-99	D00823	65		N2		DAW-B2	
FA6			D01433	44		99-99-99	D01433	61		N2		DAW-B2	
FA7			D01381	52		99-99-99	D01381	65		N2		DAW-B2	
FA8			D01487	8		99-99-99	D01487	57		N2		DAW-B2	
FA9			D01489	56		99-99-99	D01489	65		N2		DAW-B2	
PB4			D02261	54		99-99-99	D02261	61		N2		DAW-B2	
P01		SE	D11553							N2			
1	22	PA	D00811	60		31-51-11	GDX0001	S..	2	N2	3	UAE-F2	
2	22	PA	D00821	14		31-51-11	GDX0002	D..	2	N2	2		
3	24	PV	D00811	26		31-51-11	D00821	27		N2	3		
003Z			D00811	DED		31-51-11	D00821	REF		N2			
4	24	PV	D00811	49		31-51-11	D00821	32		N2	3		
004Z			D00811	DED		31-51-11	D00821	REF		N2			
5	24	PV	D00811	35		31-51-11	D00821	17		N2	3		
005Z			D00811	DED		31-51-11	D00821	REF		N2			
6	24	PK	SM00022		W	31-51-11	D00821	51		N2	1		
7	24	PK	D00811	65		31-51-11	SM00022		W	N2	2		
8	24	PK	D00819	37		31-51-11	SM00022		W	N2	1		
9	24	PV	D00819	27		31-51-11	D00811	13		N2	3		
009Z			D00811	DED		31-51-11	D00819	REF		N2			
10	22	PA	D00819	14		31-51-11	GDX0001	D..	2	N2	2		
11	24	PK	D01433	51		31-51-11	SM00022		W	N2	1		
12	24	PV	SM00018		W	31-51-11	D01433	27		N2	1		

VR260-VR264

286T0045-311
Wire Bundle Assembly
Figure 114 (Sheet 1)

25-71-02

WIRE		FROM EQUIPMENT			TO EQUIPMENT			WIRE INFO					
NUMBER	GA	TYP	NUMBER	TERM	TT	WDM REF	NUMBER	TERM	TT	EMC / SEP	FT	NOTES	EFFECTIVITY
012Z			SM00018	REF		31-51-11	D01433	REF		N2			
13	24	PV	SM00047		W	31-51-11	D01433	32		N2	1		
013Z			SM00047	REF		31-51-11	D01433	REF		N2			
14	24	PV	SM00049		W	31-51-11	D01433	17		N2	1		
014Z			SM00049	REF		31-51-11	D01433	REF		N2			
15	22	PA	D01433	14		31-51-11	GDX0001	D..	2	N2	2		
16	20	PA	SM00028		W	31-51-11	GDX0005	D..	2	N2			
17	20	PA	GDX0002	S..	2	31-51-11	D00821	REF		N2	2		
18	20	PA	GDX0005	S..	2	31-51-11	D00819	REF		N2	2		
19	20	PA	D01433	REF		31-51-11	GDX0002	S..	2	N2	2		
20	20	PA	GDX0005	D..	2	31-51-11	SM00029		W	N2			
21	20	PA	GDX0002	S..	2	31-51-11	D01503	REF		N2	2		
23	20	PA	D00815	REF		31-51-11	GDX0002	S..	2	N2	2		
24	24	PK	D04349J	38		31-51-11	SM00005		W	N2	1		
25	24	PK	D01503	A2		31-51-11	SM00005		W	N2	1		
26	20	PA	D01503	A3		31-51-11	GDX0003	D..	2	N2	2		
27	22	PQ	D01503	X2		31-51-11	D00811	75		N2	4		
027Z			D00811	DED		31-51-11	D01503	REF		N2			
28	24	PV	D01503	X1		31-51-11	SM00015		W	N2	1		
028Z			SM00015	REF		31-51-11	D01503	REF		N2	2		
29	24	PV	D00811	46		31-51-11	SM00015		W	N2	2		
029Z			SM00015	REF		31-51-11	D00811	DED		N2			
30	24	PK	SM00015		W	31-51-11	D11553	35		N2	1		
32	20	PA	D11553	11		31-51-11	GDX0003	D..	2	N2	2		
33	24	PK	D11553	37		31-51-11	D00811	34		N2	4		
34	24	PK	D11553	36		31-51-11	D00811	33		N2	4		
35	22	PA	D00815	14		31-51-11	GDX0001	D..	2	N2	2		
36	24	PV	D00815	27		31-51-11	D00811	12		N2	3		
036Z			D00811	DED		31-51-11	D00815	REF		N2			
37	24	PV	D00815	32		31-51-11	D00811	17		N2	3		
037Z			D00811	DED		31-51-11	D00815	REF		N2			
38	24	PV	D00815	17		31-51-11	D00811	22		N2	3		
038Z			D00811	DED		31-51-11	D00815	REF		N2			

286T0045-311
Wire Bundle Assembly
Figure 114 (Sheet 2)

25-71-02



BOEING
COMPONENT
MAINTENANCE MANUAL

WIRE			FROM EQUIPMENT			TO EQUIPMENT			WIRE INFO				
NUMBER	GA	TYP	NUMBER	TERM	TT	WDM REF	NUMBER	TERM	TT	EMC/SEP	FT	NOTES	EFFECTIVITY
39	24	PK	D00815	54		31-51-11	SM00020		W	N2	1		
40	24	PK	D00811	63		31-51-11	SM00020		W	N2	2		
41	24	PK	D00823	35		31-51-11	SM00020		W	N2	1		
42	24	PK	D01381	35		31-51-11	SM00020		W	N2	1		
45	22	PA	D01381	14		31-51-11	GDX0001	D..	2	N2	2		
46	22	PA	D01381	48		31-51-11	GDX0003	D..	2	N2	2		
47	24	PV	D01381	27		31-51-11	D00811	11		N2	3		
047Z			D00811	DED		31-51-11	D01381	REF		N2			
48	24	PV	D01381	32		31-51-11	D00811	16		N2	3		
048Z			D00811	DED		31-51-11	D01381	REF		N2			
49	24	PV	D01381	17		31-51-11	D00811	21		N2	3		
049Z			D00811	DED		31-51-11	D01381	REF		N2			
52	22	PA	D00823	14		31-51-11	GDX0001	D..	2	N2	2		
53	22	PA	D00823	48		31-51-11	GDX0003	D..	2	N2	2		
54	24	PV	D00823	27		31-51-11	D00811	10		N2	3		
054Z			D00811	DED		31-51-11	D00823	REF		N2			
55	24	PV	D00823	32		31-51-11	D00811	15		N2	3		
055Z			D00811	DED		31-51-11	D00823	REF		N2			
56	24	PV	D00823	17		31-51-11	D00811	20		N2	3		
056Z			D00811	DED		31-51-11	D00823	REF		N2			
57	22	PA	D00817	14		31-51-11	GDX0002	D..	2	N2	2		
58	24	PV	D00817	27		31-51-11	D00811	51		N2	3		
058Z			D00811	DED		31-51-11	D00817	REF		N2			
59	24	PV	D00817	32		31-51-11	D00811	74		N2	3		
059Z			D00811	DED		31-51-11	D00817	REF		N2			
60	24	PK	D00817	45		31-51-11	SM00021		W	N2	1		
61	24	PK	D00811	64		31-51-11	SM00021		W	N2	2		
62	24	PK	D01489	16		31-51-11	SM00021		W	N2	1		
63	24	PK	D01487	45		31-51-11	SM00021		W	N2	1		
64	24	PV	D01487	27		31-51-11	D00811	47		N2	3		
064Z			D00811	DED		31-51-11	D01487	REF		N2			
65	24	PV	D01487	32		31-51-11	D00811	70		N2	3		
065Z			D00811	DED		31-51-11	D01487	REF		N2			

286T0045-311
Wire Bundle Assembly
Figure 114 (Sheet 3)

25-71-02

WIRE			FROM EQUIPMENT			TO EQUIPMENT			WIRE INFO				
NUMBER	GA	TYP	NUMBER	TERM	TT	WDM REF	NUMBER	TERM	TT	EMC/SEP	FT	NOTES	EFFECTIVITY
66	22	PA	D01487	14		31-51-11	GDX0003	D..	2	N2	2		
67	24	PV	D01489	27		31-51-11	D00811	45		N2	3		
067Z			D00811	DED		31-51-11	D01489	REF		N2			
68	24	PV	D01489	32		31-51-11	D00811	50		N2	3		
068Z			D00811	DED		31-51-11	D01489	REF		N2			
69	24	PV	D01489	17		31-51-11	D00811	36		N2	3		
069Z			D00811	DED		31-51-11	D01489	REF		N2			
70	22	PA	D01489	14		31-51-11	GDX0003	D..	2	N2	2		
71	20	PA	D01381	REF		31-51-11	GDX0002	S..	2	N2	2		
72	20	PA	D00823	REF		31-51-11	GDX0002	S..	2	N2	2		
73	20	PA	D00817	REF		31-51-11	GDX0002	S..	2	N2	2		
74	20	PA	SM00026		W	31-51-11	GDX0005	D..	2	N2	2		
75	20	PA	D01487	REF		31-51-11	GDX0005	S..	2	N2	2		
76	20	PA	GDX0005	S..	2	31-51-11	D01489	REF		N2	2		
77	24	PK	D02261	40		31-41-35	D04349J	1		N2	2		
78	20	PA	SM00027		W	31-51-11	GDX0005	D..	2	N2	3	UAE-F2	
79	22	PA	D00813	60		31-51-12	GDX0003	S..	2	N2	2		
80	22	PA	D00821	15		31-51-12	GDX0002	D..	2	N2	2		
81	24	PV	D00821	30		31-51-12	D00813	26		N2	3		
081Z			D00813	DED		31-51-12	D00821	REF		N2			
82	24	PV	D00821	33		31-51-12	D00813	49		N2	3		
082Z			D00813	DED		31-51-12	D00821	REF		N2			
83	24	PV	D00821	24		31-51-12	D00813	35		N2	3		
083Z			D00813	DED		31-51-12	D00821	REF		N2			
84	24	PK	D00821	19		31-51-12	SM00025		W	N2	1		
85	24	PK	D00813	65		31-51-12	SM00025		W	N2	2		
86	24	PK	D00819	3		31-51-12	SM00025		W	N2	1		
87	24	PK	D01433	18		31-51-12	SM00025		W	N2	1		
88	22	PA	D01433	15		31-51-12	GDX0002	D..	2	N2	2		
89	24	PV	D01433	30		31-51-12	SM00054		W	N2	1		
089Z			SM00054	REF		31-51-12	D01433	REF		N2			
90	24	PV	D01433	33		31-51-12	SM00055		W	N2	1		
090Z			SM00055	REF		31-51-12	D01433	REF		N2			

286T0045-311
Wire Bundle Assembly
Figure 114 (Sheet 4)

25-71-02



BOEING
COMPONENT
MAINTENANCE MANUAL

WIRE		FROM EQUIPMENT			TO EQUIPMENT			WIRE INFO					
NUMBER	GA	TYP	NUMBER	TERM	TT	WDM REF	NUMBER	TERM	TT	EMC/SEP	FT	NOTES	EFFECTIVITY
91	24	PV	D01433	24		31-51-12	SM00056		W	N2	1		
091Z			SM00056	REF		31-51-12	D01433	REF		N2			
92	22	PA	D00819	15		31-51-12	GDX0002	D..	2	N2	2		
93	24	PV	D00819	30		31-51-12	D00813	13		N2	3		
093Z			D00813	DED		31-51-12	D00819	REF		N2			
94	20	PA	SM00032		W	31-51-12	GDX0005	D..	2	N2	3		
95	24	PV	D01505	X2		31-51-12	D00813	75		N2			
095Z			D00813	DED		31-51-12	D01505	REF		N2			
96	24	PV	D01505	X1		31-51-12	SM00016		W	N2	1		
096Z			SM00016	REF		31-51-12	D01505	REF		N2	2		
97	24	PV	D00813	46		31-51-12	SM00016		W	N2	2		
097Z			SM00016	REF		31-51-12	D00813	DED		N2			
98	20	PA	SM00033		W	31-51-12	GDX0005	D..	2	N2	1		
99	24	PK	SM00016		W	31-51-12	D11553	25		N2	2		
10A	24	PK	D04349J	23		31-51-33	D01489	21		N2	2		
100	20	PA	D11553	1		31-51-12	GDX0003	D..	2	N2	2		
101	20	PA	D00821	REF		31-51-12	GDX0004	S..	2	N2	2		
102	20	PA	D00819	REF		31-51-12	GDX0004	S..	2	N2	2		
103	20	PA	D01433	REF		31-51-12	GDX0004	S..	2	N2	2		
104	20	PA	D01505	REF		31-51-12	GDX0005	S..	2	N2	2		
106	20	PA	D00815	REF		31-51-12	GDX0004	S..	2	N2	2		
107	20	PA	D01381	REF		31-51-12	GDX0004	S..	2	N2	2		
109	20	PA	D00817	REF		31-51-12	GDX0004	S..	2	N2	2		
110	20	PA	D01487	REF		31-51-12	GDX0001	S..	2	N2	2		
111	20	PA	D01489	REF		31-51-12	GDX0001	S..	2	N2	2		
112	22	PA	D00815	15		31-51-12	GDX0001	D..	2	N2	2		
113	24	PK	D01505	A2		31-51-12	SM00005		W	N2	1		
114	20	PA	D01505	A3		31-51-12	GDX0003	D..	2	N2	2		
115	24	PK	D02261	21		21-61-51	D04347J	25		N2	2		
116	24	PK	D00815	21		31-51-12	SM00023		W	N2	1		
117	24	PK	D00813	63		31-51-12	SM00023		W	N2	2		
118	24	PK	D00823	1		31-51-12	SM00023		W	N2	1		
119	24	PK	D01381	1		31-51-12	SM00023		W	N2	1		

286T0045-311
Wire Bundle Assembly
Figure 114 (Sheet 5)

25-71-02

WIRE			FROM EQUIPMENT			TO EQUIPMENT			WIRE INFO				
NUMBER	GA	TYP	NUMBER	TERM	TT	WDM REF	NUMBER	TERM	TT	EMC/SEP	FT	NOTES	EFFECTIVITY
120	22	PA	D01381	15		31-51-12	GDX0001	D..	2	N2	2		
121	24	PK	D00817	56		31-51-12	SM00024		W	N2	1		
122	24	PK	D00813	64		31-51-12	SM00024		W	N2	2		
123	24	PK	D01487	56		31-51-12	SM00024		W	N2	1		
124	22	PA	D00823	15		31-51-12	GDX0001	D..	2	N2	2		
125	20	PA	D00823	REF		31-51-12	GDX0004	S..	2	N2	2		
126	24	PV	D00823	33		31-51-12	D00813	15	DED	N2	3		
126Z			D00823	REF		31-51-12	D00813	DED		N2			
127	24	PV	D00823	24		31-51-12	D00813	20		N2	3		
127Z			D00823	REF		31-51-12	D00813	DED		N2			
128	22	PA	D00817	15		31-51-12	GDX0002	D..	2	N2	2		
129	24	PV	D00817	30		31-51-12	D00813	51		N2	3		
129Z			D00817	REF		31-51-12	D00813	DED		N2			
130	24	PV	D00817	33		31-51-12	D00813	74		N2	3		
130Z			D00817	REF		31-51-12	D00813	DED		N2			
131	24	PV	D00813	11		31-51-12	D01381	30		N2	3		
131Z			D01381	REF		31-51-12	D00813	DED		N2			
132	24	PV	D00813	16		31-51-12	D01381	33		N2	3		
132Z			D01381	REF		31-51-12	D00813	DED		N2			
133	24	PV	D01381	24		31-51-12	D00813	21		N2	3		
133Z			D01381	REF		31-51-12	D00813	DED		N2			
134	24	PK	D01489	50		31-51-12	SM00024		W	N2	1		
135	24	PV	D01487	30		31-51-12	D00813	47		N2	3		
135Z			D01487	REF		31-51-12	D00813	DED		N2			
136	24	PV	D01487	33		31-51-12	D00813	70		N2	3		
136Z			D01487	REF		31-51-12	D00813	DED		N2			
137	22	PA	D01487	15		31-51-12	GDX0003	D..	2	N2	2		
138	24	PV	D01489	30		31-51-12	D00813	45		N2	3		
138Z			D01489	REF		31-51-12	D00813	DED		N2			
139	24	PV	D01489	33		31-51-12	D00813	50		N2	3		
139Z			D01489	REF		31-51-12	D00813	DED		N2			
140	24	PV	D01489	24		31-51-12	D00813	36		N2	3		
140Z			D01489	REF		31-51-12	D00813	DED		N2			

286T0045-311
Wire Bundle Assembly
Figure 114 (Sheet 6)

25-71-02



BOEING
COMPONENT
MAINTENANCE MANUAL

WIRE		FROM EQUIPMENT			TO EQUIPMENT			WIRE INFO					
NUMBER	GA	TYP	NUMBER	TERM	TT	WDM REF	NUMBER	TERM	TT	EMC/SEP	FT	NOTES	EFFECTIVITY
141	22	PA	D01489	15		31-51-12	GDX0003	D..	2	N2	2		
142	24	PK	D00813	33		31-51-12	D11553	26		N2	3		
143	24	PK	D11553	27		31-51-12	D00813	34		N2	3		
144	24	PV	D00813	12		31-51-12	D00815	30		N2	3		
144Z			D00813	DED		31-51-12	D00815	REF		N2			
145	20	PA	SM00030		W	31-51-12	GDX0005	D..	2	N2			
146	24	PV	D00813	17		31-51-12	D00815	33		N2	3		
146Z			D00813	DED		31-51-12	D00815	REF		N2			
147	24	PV	D00813	22		31-51-12	D00815	24		N2	3		
147Z			D00813	DED		31-51-12	D00815	REF		N2			
148	24	PV	D00813	10		31-51-12	D00823	30		N2	3		
148Z			D00813	DED		31-51-12	D00823	REF		N2			
149	20	PA	SM00031		W	31-51-12	GDX0005	D..	2	N2			
150	22	PA	D04301J	6		27-32-11	D00823	34		N2	2		
151	24	PK	D04509J	1		27-32-11	D00823	39		N2	2		
152	24	PK	D04347J	26		27-32-11	D00823	40		N2	2		
153	24	PK	D00823	31		27-32-11	D04509J	6		N2	2		
154	20	PA	D04509J	7		27-32-11	GDX0001	D..	2	N2	2		
155	24	PK	SM00037		W	27-32-11	D04511J	3		N2	1		
156	24	PK	D00823	38		27-32-11	D04511J	2		N2	2		
157	24	PK	D04511J	4		27-32-11	SM00050		W	N2	1		
158	24	PK	SM00037		W	27-32-11	D00823	4		N2	1		
159	24	PK	D04349J	14		27-32-11	D00823	36		N2	1		
160	24	PK	D04349J	15		27-32-11	D00823	3		N2	1		
161	24	PK	D04349J	16		27-32-11	D00823	43		N2	1		
162	24	PK	D04349J	10		27-32-11	D00823	2		N2	1		
165	22	PA	D04349J	11		27-32-21	D01381	34		N2	2		
166	24	PK	D01381	40		27-32-21	D04349J	6		N2	2		
167	24	PK	D01381	31		27-32-21	D04511J	7		N2	2		
168	20	PA	GDX0002		2	27-32-21	D04511J	8		N2	2		
169	24	PK	D04349J	34		27-32-21	D01381	36		N2	2		
170	24	PK	D04349J	35		27-32-21	D01381	3		N2	2		
171	24	PK	D04349J	36		27-32-21	D01381	43		N2	2		

286T0045-311
Wire Bundle Assembly
Figure 114 (Sheet 7)

25-71-02

WIRE			FROM EQUIPMENT			TO EQUIPMENT			WIRE INFO				
NUMBER	GA	TYP	NUMBER	TERM	TT	WDM REF	NUMBER	TERM	TT	EMC/SEP	FT	NOTES	EFFECTIVITY
172	24	PK	D04349J	37		27-32-21	D01381	2		N2	2		
173	24	PK	D04511J	13		27-32-21	D01381	4		N2	2		
174	24	PK	D04511J	16		27-32-21	D01381	37		N2	2		
175	24	PK	D04511J	15		27-32-21	D01381	38		N2	2		
176	24	PK	D04509J	8		27-32-21	D01381	39		N2	2		
177	24	PK	D00815	34		31-51-21	SM00057		W	N2	1		
178	24	PK	D00815	43		31-51-21	D01433	19		N2	2		
179	24	PK	D00815	10		31-51-21	D00819	5		N2	2		
180	24	PK	D04507J	5		31-51-21	SM00034		W	N2	1		
181	24	PK	SM00058		W	31-51-21	D00815	66		N2	1		
182	24	PK	D00815	4		31-51-21	SM00034		W	N2	1		
183	24	PK	D00815	11		31-51-21	D04349J	39		N2	2		
184	22	PA	D00815	37		31-51-21	SM00035		W	N2	1		
185	22	PA	D00815	42		31-51-21	SM00036		W	N2	1		
186	24	PK	D04349J	5		31-51-21	SM00012		W	N2	1		
187	24	PK	D00815	2		31-51-21	SM00012		W	N2	1		
188	24	PK	SM00011		W	31-51-21	D04349J	4		N2	1		
189	24	PK	SM00011		W	31-51-21	D00815	35		N2	1		
190	24	PK	D04349J	12		31-51-21	SM00009		W	N2	1		
191	24	PK	D00815	44		31-51-21	SM00009		W	N2	1		
192	24	PK	D04347J	10		31-51-21	SM00008		W	N2	1		
193	24	PK	D00815	1		31-51-21	SM00008		W	N2	1		
194	24	PK	D04347J	11		31-51-21	SM00010		W	N2	1		
195	24	PK	D00815	36		31-51-21	SM00010		W	N2	1		
196	24	PK	SM00039		W	31-51-21	D04347J	21		N2	1		
197	24	PK	D00815	45		31-51-21	SM00039		W	N2	1		
198	24	PK	D00815	46		31-51-21	D04347J	6		N2	2		
199	20	PA	GDX0004	S..	2	31-51-31	D04597J	14		N2	2		
201B	24	PW	D01489	43		31-51-33	SM00004		W	N2	1		
201R	24	PW	D01489	9		31-51-33	SM00003		W	N2	2		
201Z	20	PA	D01489	DED		31-51-33	SM00003	REF		N2	2		
204	20	PA	D04507J	REF		27-32-11	GDX0004	S..	2	N2	2		
204B	24	PW	D00823	18		27-32-11	D04507J	12		N2	1		

286T0045-311
Wire Bundle Assembly
Figure 114 (Sheet 8)

25-71-02



BOEING
COMPONENT
MAINTENANCE MANUAL

WIRE			FROM EQUIPMENT			TO EQUIPMENT			WIRE INFO				
NUMBER	GA	TYP	NUMBER	TERM	TT	WDM REF	NUMBER	TERM	TT	EMC/SEP	FT	NOTES	EFFECTIVITY
204R	24	PW	D00823	16		27-32-11	D04507J	11		N2			
204Z			D04507J	REF		27-32-11	D00823	DED		N2			
205B	24	PW	D00815	19		31-51-21	SM00007		W	N2	1		
205R	24	PW	D00815	52		31-51-21	SM00006		W	N2			
205Z			D00815	DED		31-51-21	SM00006	REF		N2			
207	20	PA	D04597J	REF		31-51-21	GDX0004	S..	2	N2	2		
207B	24	PW	SM00007		W	31-51-21	D04597J	4		N2	1		
207R	24	PW	SM00006		W	31-51-21	D04597J	3		N2			
207Z			SM00006	REF		31-51-21	D04597J	REF		N2			
208	20	PA	D04301J	REF		34-16-11	GDX0002	S..	2	N2	2		
208B	24	PW	D00821	36		34-16-11	D04301J	9		N2	2		
208R	24	PW	D00821	2		34-16-11	D04301J	8		N2			
208Z			D00821	DED		34-16-11	D04301J	REF		N2			
209B	24	PW	D01489	46		31-51-33	SM00007		W	N2	1		
209R	24	PW	D01489	12		31-51-33	SM00006		W	N2			
209Z			D01489	DED		31-51-33	SM00006	REF		N2			
212B	24	PW	D01433	36		31-51-42	SM00007		W	N2	1		
212R	24	PW	D01433	2		31-51-42	SM00006		W	N2			
212Z			D01433	DED		31-51-42	SM00006	REF		N2			
213	20	PA	D04507J	REF		34-16-11	GDX0004	S..	2	N2	2		
213B	24	PW	D00821	35		34-16-11	D04507J	8		N2	2		
213R	24	PW	D00821	1		34-16-11	D04507J	9		N2			
213Z			D00821	DED		34-16-11	D04507J	REF		N2			
214	20	PA	D04349J	REF		34-16-11	GDX0004	S..	2	N2	2		
214B	24	PW	D00821	37		34-16-11	D04349J	19		N2	2		
214R	24	PW	D00821	3		34-16-11	D04349J	18		N2			
214Z			D00821	DED		34-16-11	D04349J	REF		N2			
215B	24	PL	D01487	24		31-51-31	D04597J	12		N2	2		
215R	24	PL	D01487	23		31-51-31	D04597J	13		N2			
216B	24	PL	D00817	24		31-51-32	D04303J	12		N2	2		
216R	24	PL	D00817	23		31-51-32	D04303J	11		N2			
221B	24	PW	D01489	45		31-51-33	SM00004		W	N2	1		
221R	24	PW	D01489	11		31-51-33	SM00003		W	N2			

286T0045-311
Wire Bundle Assembly
Figure 114 (Sheet 9)

25-71-02

TESTING & TROUBLE SHOOTING
01 Page 152G

Nov 01/02

WIRE			FROM EQUIPMENT			TO EQUIPMENT			WIRE INFO				
NUMBER	GA	TYP	NUMBER	TERM	TT	WDM REF	NUMBER	TERM	TT	EMC/SEP	FT	NOTES	EFFECTIVITY
221Z			D01489	DED		31-51-33	SM00003	REF		N2			
223B	24	PW	D00821	38		34-16-11	SM00004		W	N2	1		
223R	24	PW	D00821	4		34-16-11	SM00003		W	N2			
223Z			D00821	DED		34-16-11	SM00003	REF		N2			
224	20	PA	D04349J	REF		27-32-21	GDX0004	S..	2	N2	2		
224B	24	PW	D04349J	28		27-32-21	D01381	18		N2	2		
224R	24	PW	D04349J	27		27-32-21	D01381	16		N2			
224Z			D04349J	REF		27-32-21	D01381	DED		N2			
225B	22	PR	D00811	69		31-51-11	SM00060		W	N2	2		
225R	22	PR	D00811	68		31-51-11	SM00060		W	N2			
225Z			D00811	DED		31-51-11	SM00028	REF		N2			
226B	22	PR	D00813	69		31-51-12	SM00061		W	N2	2		
226R	22	PR	D00813	68		31-51-12	SM00061		W	N2			
226Z			D00813	DED		31-51-12	SM00030	REF		N2			
230	20	PA	D04347J	REF		31-51-33	GDX0003	S..	2	N2	2		
230B	24	PW	D04347J	18		31-51-33	SM00004		W	N2	1		
230R	24	PW	D04347J	17		31-51-33	SM00003		W	N2			
230Z			D04347J	REF		31-51-33	SM00003	REF		N2			
236	20	PA	D04347J	REF		27-32-11	GDX0001	S..	2	N2	2		
236B	24	PW	D04347J	37		27-32-11	D00823	54		N2	2		
236R	24	PW	D04347J	36		27-32-11	D00823	23		N2			
236Z			D04347J	REF		27-32-11	D00823	DED		N2			
237B	24	PW	D04347J	40		27-32-11	D00823	13		N2	2		
237R	24	PW	D04347J	39		27-32-11	D00823	12		N2			
237Z			D04347J	REF		27-32-11	D00823	DED		N2			
238	20	PA	D04349J	REF		27-32-21	GDX0001	S..	2	N2	2		
238B	24	PW	D04349J	49		27-32-21	D01381	54		N2	2		
238R	24	PW	D04349J	48		27-32-21	D01381	23		N2			
238Z			D04349J	REF		27-32-21	D01381	DED		N2			
239B	24	PW	D01381	20		27-32-21	D04349J	55		N2	2		
239R	24	PW	D01381	19		27-32-21	D04349J	54		N2			
239Z			D01381	DED		27-32-21	D04349J	REF		N2			
240B	24	PL	D04347J	23		31-51-31	SM00080		W	N2	1		

286T0045-311
Wire Bundle Assembly
Figure 114 (Sheet 10)

25-71-02



BOEING
COMPONENT
MAINTENANCE MANUAL

WIRE			FROM EQUIPMENT			TO EQUIPMENT			WIRE INFO				
NUMBER	GA	TYP	NUMBER	TERM	TT	WDM REF	NUMBER	TERM	TT	EMC/SEP	FT	NOTES	EFFECTIVITY
240R	24	PL	D04347J	22		31-51-31	SM00042		W	N2			
241B	24	PL	D01487	60		31-51-31	SM00080		W	N2	1		
241R	24	PL	D01487	28		31-51-31	SM00042		W	N2	1	PAJ-F2	
242B	24	PL	D00817	60		31-51-32	SM00080		W	N2	2	PAJ-F2	
242R	24	PL	D00817	28		31-51-32	SM00042		W	N2			
243B	24	PW	D04349J	52		27-32-21	D01381	13		N2			
243R	24	PW	D04349J	51		27-32-21	D01381	12		N2			
243Z	24	PW	D04349J	REF		27-32-21	D01381	DED		N2			
245B	24	PW	D00823	20		27-32-11	D04347J	48		N2	2		
245R	24	PW	D00823	19		27-32-11	D04347J	47		N2			
245Z	24	PW	D00823	DED		27-32-11	D04347J	REF		N2			
247	20	PA	D04349J	REF		31-41-35	GDX0006	S..	2	N2	2		
247B	24	PW	D02261	42		31-41-35	D04349J	57		N2	2		
247R	24	PW	D02261	43		31-41-35	D04349J	56		N2			
247Z	24	PW	D02261	DED		31-41-35	D04349J	REF		N2			
248	20	PA	D04349J	REF		28-41-11	GDX0006	S..	2	N2	2		
248B	24	PW	D02261	5		28-41-11	D04349J	60		N2	2		
248R	24	PW	D02261	8		28-41-11	D04349J	59		N2			
248Z	24	PW	D02261	DED		28-41-11	D04349J	REF		N2			
271B	24	PL	D04597J	5		31-51-31	SM00088		W	N2	1		
271R	24	PL	D04597J	2		31-51-31	SM00087		W	N2			
272B	24	PL	D01487	63		31-51-31	SM00088		W	N2	1		
272R	24	PL	D01487	62		31-51-31	SM00087		W	N2			
273B	24	PL	D00817	63		31-51-32	SM00088		W	N2	1		
273R	24	PL	D00817	62		31-51-32	SM00087		W	N2			
290B	24	PW	D04597J	8		34-43-15	SM00104		W	N2	1		
290R	24	PW	D04597J	7		34-43-15	SM00103		W	N2			
290Z	24	PW	D04597J	9		34-43-15	SM00103	REF		N2			
291B	24	PW	D04303J	4		34-43-15	SM00104		W	N2	1		
291R	24	PW	D04303J	3		34-43-15	SM00103		W	N2			
291Z	24	PW	D04303J	5		34-43-15	SM00103	REF		N2			
292B	24	PW	D04347J	53		34-43-15	SM00104		W	N2	1		
292R	24	PW	D04347J	51		34-43-15	SM00103		W	N2			

286T0045-311
Wire Bundle Assembly
Figure 114 (Sheet 11)

25-71-02

TESTING & TROUBLE SHOOTING

01

Page 152I

Nov 01/02

WIRE			FROM EQUIPMENT			TO EQUIPMENT			WIRE INFO				
NUMBER	GA	TYP	NUMBER	TERM	TT	WDM REF	NUMBER	TERM	TT	EMC / SEP	FT	NOTES	EFFECTIVITY
292Z						34-43-15	SM00103	REF		N2			
301	20	UA	D04347J	61		31-51-11	GDX0005	S..	2	N2	1		
301B	22	PS	D00811	57		31-51-11	SM00028		W	N2	2		
301R	22	PS	D00811	38		31-51-11	SM00028		W	N2			
301Y	22	PS	D00811	58		31-51-11	SM00028		W	N2			
301Z	22	PS	D00811	DED		31-51-11	SM00028	REF	W	N2			
302B	22	PS	D00811	42		31-51-11	SM00029		W	N2	2		
302R	22	PS	D00811	41		31-51-11	SM00029		W	N2			
302Y	22	PS	D00811	43		31-51-11	SM00029		W	N2			
302Z	22	PS	D00811	DED		31-51-11	SM00028	REF	W	N2	2		
303B	22	PS	D00811	8		31-51-11	SM00026		W	N2			
303R	22	PS	D00811	7		31-51-11	SM00026		W	N2			
303Y	22	PS	D00811	9		31-51-11	SM00026		W	N2			
303Z	22	PS	D00811	DED		31-51-11	SM00028	REF	W	N2	2		
304B	22	PS	D00811	25		31-51-11	SM00027		W	N2			
304R	22	PS	D00811	24		31-51-11	SM00027		W	N2			
304Y	22	PS	D00811	37		31-51-11	SM00027		W	N2			
304Z	22	PS	D00811	DED		31-51-11	SM00028	REF	W	N2			
305	20	UA	SM00030	REF		31-51-12	GDX0005	S..	2	N2	1		
305B	22	PS	D00813	8		31-51-12	SM00030		W	N2	2		
305R	22	PS	D00813	7		31-51-12	SM00030		W	N2			
305Y	22	PS	D00813	9		31-51-12	SM00030		W	N2			
305Z	22	PS	D00813	DED		31-51-12	SM00030	REF	W	N2			
306B	22	PS	D00813	25		31-51-12	SM00031		W	N2	2		
306R	22	PS	D00813	24		31-51-12	SM00031		W	N2			
306Y	22	PS	D00813	37		31-51-12	SM00031		W	N2			
306Z	22	PS	D00813	DED		31-51-12	SM00030	REF	W	N2			
307B	22	PS	D00813	57		31-51-12	SM00032		W	N2	2		
307R	22	PS	D00813	38		31-51-12	SM00032		W	N2			
307Y	22	PS	D00813	58		31-51-12	SM00032		W	N2			
307Z	22	PS	D00813	DED		31-51-12	SM00030	REF	W	N2			
308B	22	PS	D00813	42		31-51-12	SM00033		W	N2	2		
308R	22	PS	D00813	41		31-51-12	SM00033		W	N2			

286T0045-311
Wire Bundle Assembly
Figure 114 (Sheet 12)

25-71-02



BOEING
COMPONENT
MAINTENANCE MANUAL

WIRE			FROM EQUIPMENT			TO EQUIPMENT			WIRE INFO				
NUMBER	GA	TYP	NUMBER	TERM	TT	WDM REF	NUMBER	TERM	TT	EMC/SEP	FT	NOTES	EFFECTIVITY
308Y	22	PS	D00813	43		31-51-12	SM00033		W	N2			
308Z			D00813	DED		31-51-12	SM00030	REF		N2			
512	24	PK	D02261	20		27-81-31	D04349J	8		N2	2		
601	20	PA	SM00060		W	31-51-11	GDX0004	D..	2	N2			
602	20	PA	SM00061		W	31-51-12	GDX0005	D..	2	N2			
603	24	PV	D04301J	5		31-51-12	M01103	INE	D	N2	1		
603Z			D04301J	DED		31-51-12	M01103			N2			
604	24	PV	D04301J	4		31-51-12	D00813	4		N2	3		
604Z			D04301J	DED		31-51-12	D00813			N2			
605	24	PV	D00813	1		31-51-12	M01103	OAD	D	N2	3		
605Z			D00813			31-51-12	M01103	DED		N2			
606	24	PV	D04349J	32		31-51-11	M01102	INE	D	N2	1		
606Z			D04349J	DED		31-51-11	M01102			N2			
607	24	PV	D04349J	33		31-51-11	D00811	4		N2	3		
607Z			D04349J	DED		31-51-11	D00811			N2			
608	24	PV	D00811	1		31-51-11	M01102	OAD	D	N2	3		
608Z			D00811			31-51-11	M01102	DED		N2			
610	24	PK	D00823	37		27-32-11	SM00050		W	N2	1		
611	24	PK	D01433	6		31-51-42	D04347J	20		N2	2		
612	24	PK	D01433	4		31-51-42	SM00050		W	N2	1		
613	24	PK	D04349J	30		31-51-31	SM00065		W	N2	1		
614	24	PK	D01487	52		31-51-31	SM00065		W	N2	1		
615	24	PK	D00817	52		31-51-32	SM00065		W	N2	1		
617	24	PK	D01381	11		27-32-12	D00823	56		N2	1		
618	24	PK	D01381	56		27-32-12	D00823	11		N2	1		
619	24	PK	D00823	45		27-32-12	SM00082		W	N2	1		
620	24	PK	D04349J	29		31-51-21	SM00071		W	N2	1		
621	24	PK	D00815	7		31-51-21	SM00071		W	N2	1		
622	24	PK	D01489	2		31-51-33	SM00071		W	N2	1		
623	24	PK	D01489	36		31-51-33	SM00038		W	N2	1		
624	24	PK	D00815	8		31-51-21	SM00045		W	N2	1		
625	24	PK	D01487	9		31-51-31	SM00034		W	N2	1		
631	24	PK	D00817	9		31-51-32	SM00034		W	N2	1		

286T0045-311
Wire Bundle Assembly
Figure 114 (Sheet 13)

25-71-02

TESTING & TROUBLE SHOOTING

01

Page 152K

Nov 01/02

WIRE			FROM EQUIPMENT			TO EQUIPMENT			WIRE INFO				
NUMBER	GA	TYP	NUMBER	TERM	TT	WDM REF	NUMBER	TERM	TT	EMC/SEP	FT	NOTES	EFFECTIVITY
644	22	PQ	D00823	66		27-32-31	D04347J	42		N2	2		
644Z			D00823	DED		27-32-31	D04347J	DED		N2			
646	22	PQ	D01381	66		27-32-31	D04349J	42		N2	2		
646Z			D01381	DED		27-32-31	D04349J	DED		N2			
648	24	PK	D00821	40		34-16-11	D04347J	32		N2	2		
649	24	PK	SM00038		W	34-16-11	D04347J	33		N2	1		
681	24	PK	D01433	10		31-51-43	D04507J	10		N2	2		
682	24	PK	D01433	13		31-51-43	D04347J	46		N2	2		
683	22	PA	D01433	41		31-51-43	SM00081		W	N2	1		
684	20	PA	GDX0001	D..	2	31-51-43	D04349J	47		N2	2		
685	24	PK	D00823	58		27-32-12	D01505	A1		N2	2		
686	24	PK	D00823	8		27-32-11	SM00038		W	N2	1		
687	24	PK	D00823	64		27-32-11	SM00081		W	N2	1		
688	24	PK	D01381	58		27-32-22	D01503	A1		N2	2		
689	24	PK	D01381	45		27-32-22	SM00085		W	N2	1		
692	24	PK	D01381	8		27-32-21	SM00038		W	N2	1		
693	24	PK	D04347J	30		31-51-21	D00815	6		N2	2		
694	22	PA	D04349J	46		31-51-43	SM00081		W	N2	1		
696	20	PA	GDX0003	D..	2	27-32-12	SM00082		W	N2	1		
697	20	PA	GDX0003	D..	2	27-32-22	SM00085		W	N2	1		
701	24	PK	D00815	49		31-51-21	D00815	22		N2			
702	24	PK	D00815	16		31-51-21	D00815	48		N2			
703	24	PK	D00819	6		31-51-41	SM00019		W	N2	1		
704	24	PK	SM00075		W	31-51-41	D04511J	14		N2	1		
705	24	PK	D00819	45		31-51-41	D04511J	12		N2	2		
706	24	PK	D00819	10		31-51-41	D04349J	31		N2	2		
707	24	PK	D00819	21		31-51-41	D04509J	4		N2	2		
708	24	PK	D00819	9		31-51-41	D04349J	7		N2	2		
709	24	PK	D00819	39		31-51-41	SM00044		W	N2	1		
710	24	PK	D00819	43		31-51-41	SM00037		W	N2	1		
711	24	PK	D00819	12		31-51-41	D04349J	21		N2	2		
712	24	PK	D00819	53		31-51-41	D04349J	3		N2	2		
713	24	PK	D00819	20		31-51-41	D04347J	9		N2	2		

286T0045-311
Wire Bundle Assembly
Figure 114 (Sheet 14)

25-71-02



BOEING
COMPONENT
MAINTENANCE MANUAL

WIRE		FROM EQUIPMENT		TO EQUIPMENT		WIRE INFO							
NUMBER	GA	TYP	NUMBER	TERM	TT	WDM REF	NUMBER	TERM	TT	EMC/SEP	FT	NOTES	EFFECTIVITY
714	24	PK	D00819	44		31-51-41	D04349J	24		N2	2		
715	24	PK	D04507J	6		31-51-42	SM00019		W	N2	1		
716	24	PK	D01433	34		31-51-42	SM00019		W	N2	1		
717	24	PK	D01433	37		31-51-42	SM00034		W	N2	1		
718	24	PK	D01433	39		31-51-42	D04509J	2		N2	2		
720	24	PK	D01433	52		31-51-42	SM00040		W	N2	1		
721	24	PK	D01433	38		31-51-42	D04347J	24		N2	2		
722	24	PK	D01433	5		31-51-42	D04349J	22		N2	2		
723	24	PK	D04511J	11		31-51-42	SM00038		W	N2	1		
724	24	PK	D01433	40		31-51-42	SM00038		W	N2	1		
725	24	PK	D01433	3		31-51-42	D04347J	13		N2	2		
726	22	PA	D04347J	14		31-51-21	SM00036		W	N2	1		
727	22	PA	D04301J	11		31-51-21	SM00035		W	N2	1		
728	24	PK	D04347J	1		31-51-41	D00819	35		N2	2		
729	24	PK	D04347J	2		31-51-41	D00819	1		N2	2		
730	24	PK	D04347J	3		31-51-41	D00819	36		N2	2		
731	24	PK	D04347J	4		31-51-41	D00819	2		N2	2		
732	24	PK	D04347J	5		31-51-42	D01433	20		N2	2		
733	24	PK	D04347J	16		34-16-11	D00821	65		N2	2		
734	24	PK	D04347J	8		31-51-31	SM00046		W	N2	1		
735	24	PK	D04507J	7		34-16-11	D00821	34		N2	2		
736	24	PK	D04507J	2		34-16-11	D00821	66		N2	2		
737	24	PK	SM00041		W	34-16-11	D00821	31		N2	1		
738	24	PK	D04347J	19		34-16-11	D00821	7		N2	2		
739	24	PK	SM00075		W	34-16-11	D00821	6		N2	1		
741	24	PK	D00821	18		34-16-11	D00821	22		N2	2		
742	24	PK	D00821	50		34-16-11	D00821	48		N2	2		
746	24	PK	D04597J	10		31-51-31	SM00043		W	N2	1		
747	24	PK	D01487	46		31-51-31	SM00043		W	N2	1		
748	24	PK	D04347J	7		31-51-31	SM00045		W	N2	1		
749	24	PK	D01487	10		31-51-31	SM00045		W	N2	1		
750	24	PK	D01487	19		31-51-31	SM00046		W	N2	1		
751	24	PK	D01487	13		31-51-31	SM00040		W	N2	1		

286T0045-311
Wire Bundle Assembly
Figure 114 (Sheet 15)

25-71-02

WIRE			FROM EQUIPMENT			TO EQUIPMENT			WIRE INFO				
NUMBER	GA	TYP	NUMBER	TERM	TT	WDM REF	NUMBER	TERM	TT	EMC/ SEP	FT	NOTES	EFFECTIVITY
752	24	PK	D01487	47		31-51-31	SM00044		W	N2	1		
753	24	PK	D01487	51		31-51-31	SM00041		W	N2	1		
755	24	PV	D01487	1		31-51-31	SM00035		W	N2	1		
755Z			D01487	DED		31-51-31	SM00035	DED		N2			
756	24	PK	D01487	50		31-51-31	SM00036		W	N2	1		
757	24	PK	D01487	11		31-51-31	SM00039		W	N2	1		
758	24	PK	D01487	22		31-51-31	D01489	23		N2	2		
759	24	PK	D01487	55		31-51-31	D01489	47		N2	2		
760	24	PK	D01487	34		31-51-31	D01489	51		N2	2		
761	24	PK	D01487	66		31-51-31	D01489	57		N2	2		
762	24	PK	D00817	10		31-51-32	SM00045		W	N2	1		
763	24	PK	D00817	46		31-51-32	SM00043		W	N2	1		
764	24	PV	D00817	1		31-51-32	SM00035		W	N2	1		
764Z			D00817	DED		31-51-32	SM00035	DED		N2			
765	24	PK	D00817	50		31-51-32	SM00036		W	N2	1		
766	24	PV	D00817	11		31-51-32	SM00053		W	N2	1		
766Z			D00817	DED		31-51-32	SM00053	DED		N2			
767	24	PK	D00817	19		31-51-32	SM00046		W	N2	1		
768	24	PK	D00817	13		31-51-32	SM00040		W	N2	1		
769	24	PK	D00817	47		31-51-32	SM00044		W	N2	1		
770	24	PK	D00817	51		31-51-32	SM00041		W	N2	1		
772	24	PK	D00817	22		31-51-32	D01489	54		N2	2		
773	24	PK	D00817	55		31-51-32	D01489	13		N2	2		
774	24	PK	D00817	34		31-51-32	D01489	25		N2	2		
775	24	PK	D00817	66		31-51-32	D01489	58		N2	2		
776	24	PK	D01489	42		31-51-33	D04347J	15		N2	2		
777	24	PK	D01489	8		31-51-33	D04349J	13		N2	2		
779	24	PK	D01489	35		31-51-33	D04349J	40		N2	2		
780	24	PK	D01489	53		31-51-33	D04349J	2		N2	2		
781	24	PK	D01489	31		31-51-33	D01489	48		N2			
782	24	PK	D01489	18		31-51-33	D01489	22		N2			
783	24	PK	D01489	38		31-51-33	SM00008		W	N2	1		
784	24	PK	D01489	4		31-51-33	SM00011		W	N2	1		

286T0045-311
Wire Bundle Assembly
Figure 114 (Sheet 16)

25-71-02



BOEING
COMPONENT
MAINTENANCE MANUAL

WIRE			FROM EQUIPMENT			TO EQUIPMENT			WIRE INFO				
NUMBER	GA	TYP	NUMBER	TERM	TT	WDM REF	NUMBER	TERM	TT	EMC/ SEP	FT	NOTES	EFFECTIVITY
785	24	PK	D01489	37		31-51-33	SM00012		W	N2	1		
786	24	PK	D01489	3		31-51-33	SM00010		W	N2	1		
787	24	PK	D01489	1		31-51-33	SM00009		W	N2	1		
788	24	PK	D01489	6		31-51-33	SM00034		W	N2	1		
789	24	PK	D01489	41		31-51-33	D04509J	11		N2	2		
791	24	PK	D01489	7		31-51-33	D04509J	10		N2	2		
792	24	PK	D01489	40		31-51-33	D04509J	9		N2	2		
793	24	PK	D00819	11		31-51-41	SM00075		W	N2	1		
794	20	PA	D04303J	10		31-51-32	GDX0004	S..	2	N2	2		
795	24	PK	D01433	9		31-51-42	D01433	48		N2			
796	24	PK	D01433	22		31-51-42	D01433	50		N2			
797	24	PV	D00815	41		31-51-21	SM00053		W	N2	1		
797Z			D00815	DED		31-51-21	SM00053	DED		N2			
798	24	PV	D04349J	9		31-51-21	SM00053		W	N2	1		
798Z			D04349J	DED		31-51-21	SM00053	DED		N2			
817	24	PK	D00823	55		27-32-12	D11553	6		N2	2		
818	24	PK	D00823	21		27-32-12	D11553	4		N2	2		
819	24	PK	D00823	51		27-32-12	D11553	3		N2	2		
820	24	PK	D00823	50		27-32-12	D11553	2		N2	2		
821	24	PK	D00823	49		27-32-12	D11553	7		N2	2		
822	24	PK	D00823	47		27-32-12	D11553	8		N2	2		
823	24	PK	D00823	46		27-32-12	D11553	9		N2	2		
824	24	PK	D00823	53		27-32-12	D11553	5		N2	2		
825	24	PK	D00823	62		27-32-12	D11553	24		N2	2		
826	24	PK	D01381	55		27-32-22	D11553	16		N2	2		
827	24	PK	D01381	21		27-32-22	D11553	14		N2	2		
828	24	PK	D01381	51		27-32-22	D11553	13		N2	2		
829	24	PK	D01381	50		27-32-22	D11553	12		N2	2		
830	24	PK	D01381	49		27-32-22	D11553	17		N2	2		
831	24	PK	D01381	47		27-32-22	D11553	18		N2	2		
832	24	PK	D01381	46		27-32-22	D11553	19		N2	2		
833	24	PK	D01381	53		27-32-22	D11553	15		N2	2		
834	24	PK	D01381	62		27-32-22	D11553	34		N2	2		

286T0045-311
Wire Bundle Assembly
Figure 114 (Sheet 17)

25-71-02

TESTING & TROUBLE SHOOTING

01

Page 1520

Nov 01/02

WIRE			FROM EQUIPMENT			TO EQUIPMENT			WIRE INFO				
NUMBER	GA	TYP	NUMBER	TERM	TT	WDM REF	NUMBER	TERM	TT	EMC/SEP	FT	NOTES	EFFECTIVITY
835	24	PK	D04349J	50		27-32-21	D01381	64		N2	2		
836	20	PA	D04349J	53		27-32-21	GDX0002	S..	2	N2	2		
837	24	PK	D00823	42		27-32-12	SM00082		W	N2	1		
838	24	PK	D01381	42		27-32-22	SM00085		W	N2	1		
842	24	PK	D01381	6		27-32-22	SM00085		W	N2	1		
843	24	PK	D00823	6		27-32-12	SM00082		W	N2	1		
862	22	PA	D02261	30		31-41-35	GDX0006	S..	2	N2	1		
863	22	PA	D02261	32		31-41-35	GDX0006	S..	2	N2	1		
864	22	PA	D02261	33		31-41-35	GDX0006	S..	2	N2	1		
865	22	PA	D02261	64		31-41-35	GDX0006	S..	2	N2	1		
866	24	PV	D02261	27		31-51-11	SM00018	REF	W	N2	1		
866Z			D02261	DED		31-51-11	SM00018	REF	W	N2	1		
867	24	PV	D02261	28		31-51-11	SM00047	REF	W	N2	1		
867Z			D02261	DED		31-51-11	SM00047	REF	W	N2	1		
868	24	PV	D02261	29		31-51-12	SM00054	REF	W	N2	1		
868Z			D02261	DED		31-51-12	SM00054	REF	W	N2	1		
869	24	PK	D02261	34		31-51-12	SM00025		W	N2	1		
870	22	PA	D02261	56		31-51-12	GDX0001	S..	2	N2	2		
871	22	PA	D02261	57		31-51-12	GDX0003	S..	2	N2	2		
872	22	PA	D02261	59		31-51-11	GDX0005	S..	2	N2	1		
873	24	PV	D02261	60		31-51-12	SM00055		W	N2	1		
873Z			D02261	DED		31-51-12	SM00055	REF	W	N2	1		
874	24	PV	D02261	62		31-51-11	SM00049		W	N2	1		
874Z			D02261	DED		31-51-11	SM00049	REF	W	N2	1		
875	24	PV	D02261	63		31-51-12	SM00056		W	N2	1		
875Z			D02261	DED		31-51-12	SM00056	REF	W	N2	1		
876	24	PK	D02261	65		31-51-11	SM00022		W	N2	1		
877	24	PV	D00811	14		31-51-11	SM00018		W	N2	2		
877Z			D00811	DED		31-51-11	SM00018	REF	W	N2	2		
878	24	PV	D00811	48		31-51-11	SM00047		W	N2	2		
878Z			D00811	DED		31-51-11	SM00047	REF	W	N2	2		
879	24	PV	D00811	23		31-51-11	SM00049		W	N2	2		
879Z			D00811	DED		31-51-11	SM00049	REF	W	N2	2		

286T0045-311
Wire Bundle Assembly
Figure 114 (Sheet 18)

25-71-02



BOEING
 COMPONENT
 MAINTENANCE MANUAL

WIRE			FROM EQUIPMENT			TO EQUIPMENT			WIRE INFO				
NUMBER	GA	TYP	NUMBER	TERM	TT	WDM REF	NUMBER	TERM	TT	EMC/SEP	FT	NOTES	EFFECTIVITY
880	24	PV	D00813	14		31-51-12	SM00054		W	N2	2		
880Z			D00813	DED		31-51-12	SM00054	REF		N2			
881	24	PV	D00813	48		31-51-12	SM00055		W	N2	2		
881Z			D00813	DED		31-51-12	SM00055	REF		N2			
882	24	PV	D00813	23		31-51-12	SM00056		W	N2	2		
882Z			D00813	DED		31-51-12	SM00056	REF		N2			
883	22	PA	D02261	15		38-32-11	D04349J	26		N2	2		
884	22	PA	D02261	47		38-32-11	D04347J	27		N2	2		
885	24	PK	D04303J	9		31-51-21	SM00057		W	N2	1		
886	24	PK	D04507J	3		31-51-21	SM00058		W	N2	1		
887	24	PK	D04507J	1		31-51-21	SM00058		W	N2	1		
888	24	PK	SM00057		W	31-51-21	D04349J	25		N2	1		

286T0045-311
 Wire Bundle Assembly
 Figure 114 (Sheet 19)

25-71-02

WIRE		FROM EQUIPMENT		TO EQUIPMENT		WIRE INFO							
NUMBER	GA	TYP	NUMBER	TERM	TT	WDM REF	NUMBER	TERM	TT	EMC/SEP	FT	NOTES	EFFECTIVITY
FRA			M01103			31-51-12	M01103	GND	D	N2			
FRB			D00813			31-51-12	D00813	59		N2			
FRC			M01102			31-51-11	M01102	GND	D	N2			
FRD			D00811			31-51-11	D00811	59		N2			
FRG			D04349J	58		31-41-35	D04349J			N2			
FRH			D04349J	61		28-41-11	D04349J			N2			
PA1			D00815	47		99-99-99	D00815	63		N2		DAW-B2	
PA2			D00817	8		99-99-99	D00817	57		N2		DAW-B2	
PA3			D00819	41		99-99-99	D00819	55		N2		DAW-B2	
PA4			D00821	43		99-99-99	D00821	60		N2		DAW-B2	
PA5			D00823	52		99-99-99	D00823	65		N2		DAW-B2	
PA6			D01433	44		99-99-99	D01433	61		N2		DAW-B2	
PA7			D01381	52		99-99-99	D01381	65		N2		DAW-B2	
PA8			D01487	8		99-99-99	D01487	57		N2		DAW-B2	
PA9			D01489	56		99-99-99	D01489	65		N2		DAW-B2	
EB4			D02261	54		99-99-99	D02261	61		N2		DAW-B2	
P01		SE	D11553							N2			
1	22	PA	D00811	60		31-51-11	GDX0001	S.	2	N2	3	UAE-F2	
2	22	PA	D00821	14		31-51-11	GDX0002	D.	2	N2	2		
3	24	PV	D00811	26		31-51-11	D00821	27		N2	3		
003Z			D00811	DED		31-51-11	D00821			N2			
4	24	PV	D00811	49		31-51-11	D00821	32		N2	3		
004Z			D00811	DED		31-51-11	D00821			N2			
5	24	PV	D00811	35		31-51-11	D00821	17		N2	3		
005Z			D00811	DED		31-51-11	D00821			N2			
6	24	PK	SM00022		W	31-51-11	D00821	51		N2	1		
7	24	PK	D00811	65		31-51-11	SM00022			N2	2		
8	24	PK	D00819	37		31-51-11	SM00022			N2	1		
9	24	PV	D00819	27		31-51-11	D00811	13		N2	3		
009Z			D00811	DED		31-51-11	D00819			N2			
01A	24	PK	D04349J	43		31-51-33	D01489	49		N2	2		
10	22	PA	D00819	14		31-51-11	GDX0001	D.	2	N2	2		
11	24	PK	D01433	51		31-51-11	SM00022		W	N2	1		VR424-VR425

286T0045-312
Wire Bundle Assembly
Figure 115 (Sheet 1)

25-71-02



BOEING
COMPONENT
MAINTENANCE MANUAL

WIRE			FROM EQUIPMENT				TO EQUIPMENT				WIRE INFO			
NUMBER	GA	TYP	NUMBER	TERM	TT	WDM REF	NUMBER	TERM	TT	EMC/SEP	FT	NOTES	EFFECTIVITY	
12	24	PV	SM00018		W	31-51-11	D01433	27		N2	1			
012Z			SM00018	REF		31-51-11	D01433			N2				
13	24	PV	SM00047		W	31-51-11	D01433	32		N2	1			
013Z			SM00047	REF		31-51-11	D01433			N2				
14	24	PV	SM00049		W	31-51-11	D01433	17		N2	1			
014Z			SM00049	REF		31-51-11	D01433			N2				
15	22	PA	D01433	14	W	31-51-11	GDX0001	D.	2	N2	2			
16	20	PA	SM00028			31-51-11	GDX0005	D.	2	N2	2			
17	20	UA	GDX0002	S..	2	31-51-11	D00821			N2	2			
18	20	UA	GDX0005	S..	2	31-51-11	D00819			N2	2			
19	20	UA	D01433		2	31-51-11	GDX0002	S.	2	N2	2			
20	20	PA	GDX0005	D..	2	31-51-11	SM00029		W	N2	2			
21	20	UA	GDX0002	S..	2	31-51-11	D01503			N2	2			
23	20	UA	D00815			31-51-11	GDX0002	S.	2	N2	2			
24	24	PK	D04349J	38		31-51-11	SM00005		W	N2	1			
25	24	PK	D01503	A2		31-51-11	SM00005		W	N2	1			
26	20	PA	D01503	A3		31-51-11	GDX0003	D.	2	N2	2			
27	22	FQ	D01503	X2		31-51-11	D00811	75		N2	4			
027Z			D00811	DED		31-51-11	D01503			N2				
28	24	PV	D01503	X1		31-51-11	SM00015		W	N2	1			
028Z			SM00015	REF		31-51-11	D01503			N2				
29	24	PV	D00811	46		31-51-11	SM00015		W	N2	2			
029Z			SM00015	REF		31-51-11	D00811	DED		N2				
30	24	PK	SM00015		W	31-51-11	D11553	35		N2	1			
32	20	PA	D11553	11		31-51-11	GDX0003	D.	2	N2	2			
33	24	PK	D11553	37		31-51-11	D00811	34		N2	4			
34	24	PK	D11553	36		31-51-11	D00811	33		N2	4			
35	22	PA	D00815	14		31-51-11	GDX0001	D.	2	N2	2			
36	24	PV	D00815	27		31-51-11	D00811	12		N2	3			
036Z			D00811	DED		31-51-11	D00815			N2				
37	24	PV	D00815	32		31-51-11	D00811	17		N2	3			
037Z			D00811	DED		31-51-11	D00815			N2				
38	24	PV	D00815	17		31-51-11	D00811	22		N2	3			

286T0045-312
Wire Bundle Assembly
Figure 115 (Sheet 2)

25-71-02

WIRE			FROM EQUIPMENT			TO EQUIPMENT			WIRE INFO				
NUMBER	GA	TYP	NUMBER	TERM	TT	WDM REF	NUMBER	TERM	TT	EMC/ SEP	FT	NOTES	EFFECTIVITY
038Z			D00811	DED		31-51-11	D00815			N2			
39	24	PK	D00815	54		31-51-11	SM00020		W	N2	1		
40	24	PK	D00811	63		31-51-11	SM00020		W	N2	2		
41	24	PK	D00823	35		31-51-11	SM00020		W	N2	1		
42	24	PK	D01381	35		31-51-11	SM00020		W	N2	1		
45	22	PA	D01381	14		31-51-11	GDX0001	D..	2	N2	2		
46	22	PA	D01381	48		31-51-11	GDX0003	D..	2	N2	2		
47	24	PV	D01381	27		31-51-11	D00811	11		N2	3		
047Z			D00811	DED		31-51-11	D01381			N2			
48	24	PV	D01381	32		31-51-11	D00811	16		N2	3		
048Z			D00811	DED		31-51-11	D01381			N2			
49	24	PV	D01381	17		31-51-11	D00811	21		N2	3		
049Z			D00811	DED		31-51-11	D01381			N2			
52	22	PA	D00823	14		31-51-11	GDX0001	D..	2	N2	2		
53	22	PA	D00823	48		31-51-11	GDX0003	D..	2	N2	2		
54	24	PV	D00823	27		31-51-11	D00811	10		N2	3		
054Z			D00811	DED		31-51-11	D00823			N2			
55	24	PV	D00823	32		31-51-11	D00811	15		N2	3		
055Z			D00811	DED		31-51-11	D00823			N2			
56	24	PV	D00823	17		31-51-11	D00811	20		N2	3		
056Z			D00811	DED		31-51-11	D00823			N2			
57	22	PA	D00817	14		31-51-11	GDX0002	D..	2	N2	2		
58	24	PV	D00817	27		31-51-11	D00811	51		N2	3		
058Z			D00811	DED		31-51-11	D00817			N2			
59	24	PV	D00817	32		31-51-11	D00811	74		N2	3		
059Z			D00811	DED		31-51-11	D00817			N2			
60	24	PK	D00817	45		31-51-11	SM00021		W	N2	1		
61	24	PK	D00811	64		31-51-11	SM00021		W	N2	2		
62	24	PK	D01489	16		31-51-11	SM00021		W	N2	1		
63	24	PK	D01487	45		31-51-11	SM00021		W	N2	1		
64	24	PV	D01487	27		31-51-11	D00811	47		N2	3		
064Z			D00811	DED		31-51-11	D01487			N2			
65	24	PV	D01487	32		31-51-11	D00811	70		N2	3		

286T0045-312
Wire Bundle Assembly
Figure 115 (Sheet 3)

25-71-02



BOEING
COMPONENT
MAINTENANCE MANUAL

WIRE			FROM EQUIPMENT			TO EQUIPMENT			WIRE INFO				
NUMBER	GA	TYP	NUMBER	TERM	TT	WDM REF	NUMBER	TERM	TT	EMC/SEP	FT	NOTES	EFFECTIVITY
065Z			D00811	DED		31-51-11	D01487			N2			
66	22	PA	D01487	14		31-51-11	GDX0003		2	N2	2		
67	24	PV	D01489	27		31-51-11	D00811	45		N2	3		
067Z			D00811	DED		31-51-11	D01489			N2			
68	24	PV	D01489	32		31-51-11	D00811	50		N2	3		
068Z			D00811	DED		31-51-11	D01489			N2			
69	24	PV	D01489	17		31-51-11	D00811	36		N2	3		
069Z			D00811	DED		31-51-11	D01489			N2			
70	22	PA	D01489	14		31-51-11	GDX0003		2	N2	2		
71	20	UA	D01381			31-51-11	GDX0002		2	N2	2		
72	20	UA	D00823			31-51-11	GDX0002		2	N2	2		
73	20	UA	D00817			31-51-11	GDX0002		2	N2	2		
74	20	PA	SM00026		W	31-51-11	GDX0005		2	N2	2		
75	20	UA	D01487			31-51-11	GDX0005		2	N2	2		
76	20	UA	GDX0005	S..	2	31-51-11	D01489		2	N2	2		
77	24	PK	D02261	40		31-41-35	D04349J	1		N2	2		
78	20	PA	SM00027		W	31-51-11	GDX0005		2	N2	2		
79	22	PA	D00813	60		31-51-12	GDX0003		2	N2	3		
80	22	PA	D00821	15		31-51-12	GDX0002		2	N2	2		
81	24	PV	D00821	30		31-51-12	D00813	26		N2	3		
081Z			D00813	DED		31-51-12	D00821			N2			
82	24	PV	D00821	33		31-51-12	D00813	49		N2	3		
082Z			D00813	DED		31-51-12	D00821			N2			
83	24	PV	D00821	24		31-51-12	D00813	35		N2	3		
083Z			D00813	DED		31-51-12	D00821			N2			
84	24	PK	D00821	19		31-51-12	SM00025		W	N2	1		
85	24	PK	D00813	65		31-51-12	SM00025		W	N2	2		
86	24	PK	D00819	3		31-51-12	SM00025		W	N2	1		
87	24	PK	D01433	18		31-51-12	SM00025		W	N2	1		
88	22	PA	D01433	15		31-51-12	GDX0002		2	N2	2		
89	24	PV	D01433	30		31-51-12	SM00054		W	N2	1		
089Z			SM00054	REF		31-51-12	D01433		W	N2			
90	24	PV	D01433	33		31-51-12	SM00055		W	N2	1		

286T0045-312
Wire Bundle Assembly
Figure 115 (Sheet 4)

25-71-02

WIRE			FROM EQUIPMENT			TO EQUIPMENT			WIRE INFO				
NUMBER	GA	TYP	NUMBER	TERM	TT	WDM REF	NUMBER	TERM	TT	EMC/ SEP	FT	NOTES	EFFECTIVITY
090Z			SM00055	REF		31-51-12	D01433			N2	1		
91	24	PV	D01433	24		31-51-12	SM00056		W	N2			
091Z			SM00056	REF		31-51-12	D01433			N2	2		
92	22	PA	D00819	15		31-51-12	GDX0002	D..	2	N2			
93	24	PV	D00819	30		31-51-12	D00813	13		N2	3		
093Z			D00813	DED		31-51-12	D00819			N2			
94	20	PA	SM00032		W	31-51-12	GDX0005	D..	2	N2	3		
95	24	PV	D01505	X2		31-51-12	D00813	75		N2			
095Z			D00813	DED		31-51-12	D01505			N2			
96	24	PV	D01505	X1		31-51-12	SM00016		W	N2	1		
096Z			SM00016	REF		31-51-12	D01505			N2			
97	24	PV	D00813	46		31-51-12	SM00016		W	N2	2		
097Z			SM00016	REF		31-51-12	D00813	DED		N2			
98	20	PA	SM00033		W	31-51-12	GDX0005	D..	2	N2			
99	24	PK	SM00016		W	31-51-12	D11553	25		N2	1		
10A	24	PK	D01489	21		31-51-33	D04349J	23		N2	2		
100	20	PA	D11553	1		31-51-12	GDX0003	D..	2	N2	2		
101	20	UA	D00821			31-51-12	GDX0004	S..	2	N2	2		
102	20	UA	D00819			31-51-12	GDX0004	S..	2	N2	2		
103	20	UA	D01433			31-51-12	GDX0004	S..	2	N2	2		
104	20	UA	D01505			31-51-12	GDX0005	S..	2	N2	2		
106	20	UA	D00815			31-51-12	GDX0004	S..	2	N2	2		
107	20	UA	D01381			31-51-12	GDX0004	S..	2	N2	2		
109	20	UA	D00817			31-51-12	GDX0004	S..	2	N2	2		
110	20	UA	D01487			31-51-12	GDX0001	S..	2	N2	2		
111	20	UA	D01489			31-51-12	GDX0001	S..	2	N2	2		
112	22	PA	D00815	15		31-51-12	GDX0001	D..	2	N2	2		
113	24	PK	D01505	A2		31-51-12	SM00005		W	N2	1		
114	20	PA	D01505	A3		31-51-12	GDX0003	D..	2	N2	2		
115	24	PK	D02261	21		21-61-51	D04347J	25		N2	2		
116	24	PK	D00815	21		31-51-12	SM00023		W	N2	1		
117	24	PK	D00813	63		31-51-12	SM00023		W	N2	2		
118	24	PK	D00823	1		31-51-12	SM00023		W	N2	1		

286T0045-312
Wire Bundle Assembly
Figure 115 (Sheet 5)

25-71-02



BOEING
COMPONENT
MAINTENANCE MANUAL

WIRE			FROM EQUIPMENT			TO EQUIPMENT			WIRE INFO				
NUMBER	GA	TYP	NUMBER	TERM	TT	WDM REF	NUMBER	TERM	TT	EMC/SEP	FT	NOTES	EFFECTIVITY
119	24	PK	D01381	1		31-51-12	SM00023		W	N2	1		
120	22	PA	D01381	15		31-51-12	GDX0001	D.	2	N2	2		
121	24	PK	D00817	56		31-51-12	SM00024		W	N2	1		
122	24	PK	D00813	64		31-51-12	SM00024		W	N2	2		
123	24	PK	D01487	56		31-51-12	SM00024		W	N2	1		
124	22	PA	D00823	15		31-51-12	GDX0001	D.	2	N2	2		
125	20	UA	D00823			31-51-12	GDX0004	S.	2	N2	2		
126	24	PV	D00823	33		31-51-12	D00813	15		N2	3		
126Z			D00823			31-51-12	D00813	DED		N2			
127	24	PV	D00823	24		31-51-12	D00813	20		N2	3		
127Z			D00823			31-51-12	D00813	DED		N2			
128	22	PA	D00817	15		31-51-12	GDX0002	D.	2	N2	2		
129	24	PV	D00817	30		31-51-12	D00813	51		N2	3		
129Z			D00817			31-51-12	D00813	DED		N2			
130	24	PV	D00817	33		31-51-12	D00813	74		N2	3		
130Z			D00817			31-51-12	D00813	DED		N2			
131	24	PV	D00813	11		31-51-12	D01381	30		N2	3		
131Z			D01381			31-51-12	D00813	DED		N2			
132	24	PV	D00813	16		31-51-12	D01381	33		N2	3		
132Z			D01381			31-51-12	D00813	DED		N2			
133	24	PV	D01381	24		31-51-12	D00813	21		N2	3		
133Z			D01381			31-51-12	D00813	DED		N2			
134	24	PK	D01489	50		31-51-12	SM00024		W	N2	1		
135	24	PV	D01487	30		31-51-12	D00813	47		N2	3		
135Z			D01487			31-51-12	D00813	DED		N2			
136	24	PV	D01487	33		31-51-12	D00813	70		N2	3		
136Z			D01487			31-51-12	D00813	DED		N2			
137	22	PA	D01487	15		31-51-12	GDX0003	D.	2	N2	2		
138	24	PV	D01489	30		31-51-12	D00813	45		N2	3		
138Z			D01489			31-51-12	D00813	DED		N2			
139	24	PV	D01489	33		31-51-12	D00813	50		N2	3		
139Z			D01489			31-51-12	D00813	DED		N2			
140	24	PV	D01489	24		31-51-12	D00813	36		N2	3		

286T0045-312
Wire Bundle Assembly
Figure 115 (Sheet 6)

25-71-02

WIRE			FROM EQUIPMENT				TO EQUIPMENT				WIRE INFO			
NUMBER	GA	TYP	NUMBER	TERM	TT	WDM REF	NUMBER	TERM	TT	EMC/SEP	FT	NOTES	EFFECTIVITY	
140Z			D01489			31-51-12	D00813	DED		N2				
141	22	PA	D01489	15		31-51-12	GDX0003	D..	2	N2	2			
142	24	PK	D00813	33		31-51-12	D11553	26		N2	3			
143	24	PK	D11553	27		31-51-12	D00813	34		N2	3			
144	24	PV	D00813	12		31-51-12	D00815	30		N2	3			
144Z			D00813	DED		31-51-12	D00815			N2				
145	20	PA	SM00030		W	31-51-12	GDX0005	D..	2	N2	3			
146	24	PV	D00813	17		31-51-12	D00815	33		N2				
146Z			D00813	DED		31-51-12	D00815			N2				
147	24	PV	D00813	22		31-51-12	D00815	24		N2	3			
147Z			D00813	DED		31-51-12	D00815			N2				
148	24	PV	D00813	10		31-51-12	D00823	30		N2	3			
148Z			D00813	DED		31-51-12	D00823			N2				
149	20	PA	SM00031		W	31-51-12	GDX0005	D..	2	N2	2			
150	22	PA	D04301J	6		27-32-11	D00823	34		N2	2			
151	24	PK	D04509J	1		27-32-11	D00823	39		N2	2			
152	24	PK	D04347J	26		27-32-11	D00823	40		N2	2			
153	24	PK	D00823	31		27-32-11	D04509J	6		N2	2			
154	20	PA	D04509J	7		27-32-11	GDX0001	D..	2	N2	2			
155	24	PK	SM00037		W	27-32-11	D04511J	3		N2	1			
156	24	PK	D00823	38		27-32-11	D04511J	2		N2	2			
157	24	PK	D04511J	4		27-32-11	SM00050		W	N2	1			
158	24	PK	SM00037		W	27-32-11	D00823	4		N2	1			
159	24	PK	D04349J	14		27-32-11	D00823	36		N2	1			
160	24	PK	D04349J	15		27-32-11	D00823	3		N2	1			
161	24	PK	D04349J	16		27-32-11	D00823	43		N2	1			
162	24	PK	D04349J	10		27-32-11	D00823	2		N2	1			
165	22	PA	D04349J	11		27-32-21	D01381	34		N2	2			
166	24	PK	D01381	40		27-32-21	D04349J	6		N2	2			
167	24	PK	D01381	31		27-32-21	D04511J	7		N2	2			
168	20	PA	GDX0002	D..	2	27-32-21	D04511J	8		N2	2			
169	24	PK	D04349J	34		27-32-21	D01381	36		N2	2			
170	24	PK	D04349J	35		27-32-21	D01381	3		N2	2			

286T0045-312
Wire Bundle Assembly
Figure 115 (Sheet 7)

25-71-02



BOEING
COMPONENT
MAINTENANCE MANUAL

WIRE			FROM EQUIPMENT				TO EQUIPMENT				WIRE INFO			
NUMBER	GA	TYP	NUMBER	TERM	TT	WDM REF	NUMBER	TERM	TT	EMC/SEP	FT	NOTES	EFFECTIVITY	
171	24	PK	D04349J	36		27-32-21	D01381	43		N2	2			
172	24	PK	D04349J	37		27-32-21	D01381	2		N2	2			
173	24	PK	D04511J	13		27-32-21	D01381	4		N2	2			
174	24	PK	D04511J	16		27-32-21	D01381	37		N2	2			
175	24	PK	D04511J	15		27-32-21	D01381	38		N2	2			
176	24	PK	D04509J	8		27-32-21	D01381	39		N2	2			
177	24	PK	D00815	34		31-51-21	SM00057		W	N2	1			
178	24	PK	D00815	43		31-51-21	D01433	19		N2	2			
179	24	PK	D00815	10		31-51-21	D00819	5		N2	2			
180	24	PK	D04507J	5		31-51-21	SM00034		W	N2	1			
181	24	PK	SM00058		W	31-51-21	D00815	66		N2	1			
182	24	PK	D00815	4		31-51-21	SM00034		W	N2	1			
183	24	PK	D00815	11		31-51-21	D04349J	39		N2	2			
184	22	PA	D00815	37		31-51-21	SM00035		W	N2	1			
185	22	PA	D00815	42		31-51-21	SM00036		W	N2	1			
186	24	PK	D04349J	5		31-51-21	SM00012		W	N2	1			
187	24	PK	D00815	2		31-51-21	SM00012		W	N2	1			
188	24	PK	SM00011		W	31-51-21	D04349J	4		N2	1			
189	24	PK	SM00011		W	31-51-21	D00815	35		N2	1			
190	24	PK	D04349J	12		31-51-21	SM00009		W	N2	1			
191	24	PK	D00815	44		31-51-21	SM00009		W	N2	1			
192	24	PK	D04347J	10		31-51-21	SM00008		W	N2	1			
193	24	PK	D00815	1		31-51-21	SM00008		W	N2	1			
194	24	PK	D04347J	11		31-51-21	SM00010		W	N2	1			
195	24	PK	D00815	36		31-51-21	SM00010		W	N2	1			
196	24	PK	SM00039		W	31-51-21	D04347J	21		N2	1			
197	24	PK	D00815	45		31-51-21	SM00039		W	N2	1			
198	24	PK	D00815	46		31-51-21	D04347J	6		N2	2			
199	20	PA	GDX0004	S..		31-51-31	D04597J	14		N2	2			
201B	24	PW	D01489	43		31-51-33	SM00004		W	N2	1			
201R	24	PW	D01489	9		31-51-33	SM00003		W	N2				
201Z			D01489	DED		31-51-33	SM00003	REF		N2				
204	20	UA	D04507J	REF		27-32-11	GDX0004	S..	2	N2	2			

286T0045-312
Wire Bundle Assembly
Figure 115 (Sheet 8)

25-71-02

WIRE			FROM EQUIPMENT				TO EQUIPMENT				WIRE INFO			
NUMBER	GA	TYP	NUMBER	TERM	TT	WDM REF	NUMBER	TERM	TT	EMC/SEP	FT	NOTES	EFFECTIVITY	
204B	24	PW	D00823	18		27-32-11	D04507J	12		N2	1			
204R	24	PW	D00823	16		27-32-11	D04507J	11		N2				
204Z			D00823	DED		27-32-11	D04507J	REF		N2				
205B	24	PW	D00815	19		31-51-21	SM00007		W	N2	1			
205R	24	PW	D00815	52		31-51-21	SM00006		W	N2				
205Z			D00815	DED		31-51-21	SM00006	REF		N2				
207	20	UA	D04597J			31-51-21	GDX0004	S..	2	N2	2			
207B	24	PW	SM00007		W	31-51-21	D04597J	4		N2	1			
207R	24	PW	SM00006		W	31-51-21	D04597J	3		N2				
207Z			SM00006	REF		31-51-21	D04597J			N2				
208	20	UA	D04301J			34-16-11	GDX0002	S..	2	N2	2			
208B	24	PW	D00821	36		34-16-11	D04301J	9		N2	2			
208R	24	PW	D00821	2		34-16-11	D04301J	8		N2				
208Z			D00821	DED		34-16-11	D04301J			N2				
209B	24	PW	D01489	46		31-51-33	SM00007		W	N2	1			
209R	24	PW	D01489	12		31-51-33	SM00006		W	N2				
209Z			D01489	DED		31-51-33	SM00006	REF		N2				
212B	24	PW	D01433	36		31-51-42	SM00007		W	N2	1			
212R	24	PW	D01433	2		31-51-42	SM00006		W	N2				
212Z			D01433	DED		31-51-42	SM00006	REF		N2				
213	20	UA	D04507J			34-16-11	GDX0004	S..	2	N2	2			
213B	24	PW	D00821	35		34-16-11	D04507J	8		N2	2			
213R	24	PW	D00821	1		34-16-11	D04507J	9		N2				
213Z			D00821	DED		34-16-11	D04507J			N2				
214	20	UA	D04349J			34-16-11	GDX0004	S..	2	N2	2			
214B	24	PW	D00821	37		34-16-11	D04349J	19		N2	2			
214R	24	PW	D00821	3		34-16-11	D04349J	18		N2				
214Z			D00821	DED		34-16-11	D04349J			N2				
215B	24	PL	D01487	24		31-51-31	D04597J	12		N2	2			
215R	24	PL	D01487	23		31-51-31	D04597J	13		N2				
216B	24	PL	D00817	24		31-51-32	D04303J	12		N2	2			
216R	24	PL	D00817	23		31-51-32	D04303J	11		N2				
221B	24	PW	D01489	45		31-51-33	SM00004		W	N2	1			

286T0045-312
Wire Bundle Assembly
Figure 115 (Sheet 9)

25-71-02



BOEING
COMPONENT
MAINTENANCE MANUAL

WIRE			FROM EQUIPMENT			TO EQUIPMENT			WIRE INFO				
NUMBER	GA	TYP	NUMBER	TERM	TT	WDM REF	NUMBER	TERM	TT	EMC/SEP	FT	NOTES	EFFECTIVITY
221R	24	PW	D01489	11		31-51-33	SM00003		W	N2			
221Z			D01489	DED		31-51-33	SM00003	REF		N2			
223B	24	PW	D00821	38		34-16-11	SM00004		W	N2	1		
223R	24	PW	D00821	4		34-16-11	SM00003		W	N2			
223Z			D00821	DED		34-16-11	SM00003	REF		N2			
224	20	UA	D04349J			27-32-21	GDX0004	S.	2	N2	2		
224B	24	PW	D04349J	28		27-32-21	D01381	18		N2	2		
224R	24	PW	D04349J	27		27-32-21	D01381	16		N2			
224Z			D04349J			27-32-21	D01381	DED		N2			
225B	22	PR	D00811	69		31-51-11	SM00060		W	N2	2		
225R	22	PR	D00811	68		31-51-11	SM00060		W	N2			
225Z			D00811	DED		31-51-11	SM00028	REF		N2			
226B	22	PR	D00813	69		31-51-12	SM00061		W	N2	2		
226R	22	PR	D00813	68		31-51-12	SM00061		W	N2			
226Z			D00813	DED		31-51-12	SM00030	REF		N2			
230	20	UA	D04347J			31-51-33	GDX0003	S.	2	N2	2		
230B	24	PW	D04347J	18		31-51-33	SM00004		W	N2	1		
230R	24	PW	D04347J	17		31-51-33	SM00003		W	N2			
230Z			D04347J			31-51-33	SM00003	REF		N2			
236	20	UA	D04347J			27-32-11	GDX0001	S.	2	N2	2		
236B	24	PW	D04347J	37		27-32-11	D00823	54		N2	2		
236R	24	PW	D04347J	36		27-32-11	D00823	23		N2			
236Z			D04347J			27-32-11	D00823	DED		N2			
237B	24	PW	D04347J	40		27-32-11	D00823	13		N2	2		
237R	24	PW	D04347J	39		27-32-11	D00823	12		N2			
237Z			D04347J			27-32-11	D00823	DED		N2			
238	20	UA	D04349J			27-32-21	GDX0001	S.	2	N2	2		
238B	24	PW	D04349J	49		27-32-21	D01381	54		N2	2		
238R	24	PW	D04349J	48		27-32-21	D01381	23		N2			
238Z			D04349J			27-32-21	D01381	DED		N2			
239B	24	PW	D01381	20		27-32-21	D04349J	55		N2	2		
239R	24	PW	D01381	19		27-32-21	D04349J	54		N2			
239Z			D01381	DED		27-32-21	D04349J			N2			

286T0045-312
Wire Bundle Assembly
Figure 115 (Sheet 10)

25-71-02

WIRE			FROM EQUIPMENT			TO EQUIPMENT			WIRE INFO				
NUMBER	GA	TYP	NUMBER	TERM	TT	WDM REF	NUMBER	TERM	TT	EMC/SEP	FT	NOTES	EFFECTIVITY
240B	24	PL	D04347J	23		31-51-31	SM00080		W	N2	1		
240R	24	PL	D04347J	22		31-51-31	SM00042		W	N2			
241B	24	PL	D01487	60		31-51-31	SM00080		W	N2	1		
241R	24	PL	D01487	28		31-51-31	SM00042		W	N2	1		
242B	24	PL	D00817	60		31-51-32	SM00080		W	N2	1		
242R	24	PL	D00817	28		31-51-32	SM00042		W	N2	2		
243B	24	PW	D04349J	52		27-32-21	D01381	13		N2			
243R	24	PW	D04349J	51		27-32-21	D01381	12		N2			
243Z	24	PW	D04349J			27-32-21	D01381	DED		N2			
245B	24	PW	D00823	20		27-32-11	D04347J	48		N2	2		
245R	24	PW	D00823	19		27-32-11	D04347J	47		N2			
245Z	24	PW	D00823	DED		27-32-11	D04347J			N2			
247	20	UA	D04349J			31-41-35	GDX0006	S..	2	N2	2		
247B	24	PW	D02261	42		31-41-35	D04349J	57		N2	2		
247R	24	PW	D02261	43		31-41-35	D04349J	56		N2			
247Z	24	PW	D02261	DED		31-41-35	D04349J			N2			
248	20	UA	D04349J			28-41-11	GDX0006	S..	2	N2	2		
248B	24	PW	D02261	5		28-41-11	D04349J	60		N2	2		
248R	24	PW	D02261	8		28-41-11	D04349J	59		N2			
248Z	24	PW	D02261	DED		28-41-11	D04349J			N2			
271B	24	PL	D04597J	5		31-51-31	SM00088		W	N2	1		
271R	24	PL	D04597J	2		31-51-31	SM00087		W	N2			
272B	24	PL	D01487	63		31-51-31	SM00088		W	N2	1		
272R	24	PL	D01487	62		31-51-31	SM00087		W	N2			
273B	24	PL	D00817	63		31-51-32	SM00088		W	N2	1		
273R	24	PL	D00817	62		31-51-32	SM00087		W	N2			
290B	24	PW	D04597J	8		34-43-15	SM00104		W	N2	1		
290R	24	PW	D04597J	7		34-43-15	SM00103		W	N2			
290Z	24	PW	D04597J	9		34-43-15	SM00103	REF		N2			
291B	24	PW	D04303J	4		34-43-15	SM00104		W	N2	1		
291R	24	PW	D04303J	3		34-43-15	SM00103		W	N2			
291Z	24	PW	D04303J	5		34-43-15	SM00103	REF		N2			
292B	24	PW	D04347J	53		34-43-15	SM00104		W	N2	1		

286T0045-312
Wire Bundle Assembly
Figure 115 (Sheet 11)

25-71-02

BOEING
COMPONENT
MAINTENANCE MANUAL

WIRE		FROM EQUIPMENT		TO EQUIPMENT		WIRE INFO							
NUMBER	GA	TYP	NUMBER	TERM	TT	WDM REF	NUMBER	TERM	TT	EMC/SEP	FT	NOTES	EFFECTIVITY
292R	24	PW	D04347J	51		34-43-15	SM00103		W	N2			
292Z			D04347J	61		34-43-15	SM00103	REF		N2			
301	20	UA	SM00028	REF		31-51-11	GDX0005	S.	2	N2	1		
301B	22	PS	D00811	57		31-51-11	SM00028		W	N2	2		
301R	22	PS	D00811	38		31-51-11	SM00028		W	N2			
301Y	22	PS	D00811	58		31-51-11	SM00028		W	N2			
301Z			D00811	DED		31-51-11	SM00028	REF		N2			
302B	22	PS	D00811	42		31-51-11	SM00029		W	N2	2		
302R	22	PS	D00811	41		31-51-11	SM00029		W	N2			
302Y	22	PS	D00811	43		31-51-11	SM00029		W	N2			
302Z			D00811	DED		31-51-11	SM00028	REF		N2			
303B	22	PS	D00811	8		31-51-11	SM00026		W	N2	2		
303R	22	PS	D00811	7		31-51-11	SM00026		W	N2			
303Y	22	PS	D00811	9		31-51-11	SM00026		W	N2			
303Z			D00811	DED		31-51-11	SM00028	REF		N2			
304B	22	PS	D00811	25		31-51-11	SM00027		W	N2	2		
304R	22	PS	D00811	24		31-51-11	SM00027		W	N2			
304Y	22	PS	D00811	37		31-51-11	SM00027		W	N2			
304Z			D00811	DED		31-51-11	SM00028	REF		N2			
305	20	UA	SM00030	REF		31-51-12	GDX0005	S.	2	N2	1		
305B	22	PS	D00813	8		31-51-12	SM00030		W	N2	2		
305R	22	PS	D00813	7		31-51-12	SM00030		W	N2			
305Y	22	PS	D00813	9		31-51-12	SM00030		W	N2			
305Z			D00813	DED		31-51-12	SM00030	REF		N2			
306B	22	PS	D00813	25		31-51-12	SM00031		W	N2	2		
306R	22	PS	D00813	24		31-51-12	SM00031		W	N2			
306Y	22	PS	D00813	37		31-51-12	SM00031		W	N2			
306Z			D00813	DED		31-51-12	SM00030	REF		N2			
307B	22	PS	D00813	57		31-51-12	SM00032		W	N2	2		
307R	22	PS	D00813	38		31-51-12	SM00032		W	N2			
307Y	22	PS	D00813	58		31-51-12	SM00032		W	N2			
307Z			D00813	DED		31-51-12	SM00030	REF		N2			
308B	22	PS	D00813	42		31-51-12	SM00033		W	N2	2		

286T0045-312
Wire Bundle Assembly
Figure 115 (Sheet 12)

25-71-02

WIRE			FROM EQUIPMENT			TO EQUIPMENT			WIRE INFO				
NUMBER	GA	TYP	NUMBER	TERM	TT	WDM REF	NUMBER	TERM	TT	EMC/ SEP	FT	NOTES	EFFECTIVITY
308R	22	PS	D00813	41		31-51-12	SM00033		W	N2			
308Y	22	PS	D00813	43		31-51-12	SM00033		W	N2			
308Z	24	PK	D00813	DED		31-51-12	SM00030	REF		N2	2		
512	24	PK	D02261	20	W	27-81-31	D04349J	8		N2			
601	20	PA	SM00060		W	31-51-11	GDX0004	D.	2	N2			
602	20	PA	SM00061			31-51-12	GDX0005	D.	2	N2			
603	24	PV	D04301J	5		31-51-12	M01103	INE	D	N2	1		
603Z	24	PV	D04301J	DED		31-51-12	M01103	4		N2	3		
604	24	PV	D04301J	4		31-51-12	D00813			N2			
604Z	24	PV	D04301J	DED		31-51-12	D00813			N2			
605	24	PV	D00813	1		31-51-12	M01103	OAD	D	N2	3		
605Z	24	PV	D00813			31-51-12	M01103	DED		N2			
606	24	PV	D04349J	32		31-51-11	M01102	INE	D	N2	1		
606Z	24	PV	D04349J	DED		31-51-11	M01102	4		N2	3		
607	24	PV	D04349J	33		31-51-11	D00811			N2			
607Z	24	PV	D04349J	DED		31-51-11	D00811			N2			
608	24	PV	D00811	1		31-51-11	M01102	OAD	D	N2	3		
608Z	24	PV	D00811			31-51-11	M01102	DED		N2			
610	24	PK	D00823	37		27-32-11	SM00050	20	W	N2	1		
611	24	PK	D01433	6		31-51-42	D04347J			N2	2		
612	24	PK	D01433	4		31-51-42	SM00050		W	N2	1		
613	24	PK	D04349J	30		31-51-31	SM00065		W	N2	1		
614	24	PK	D01487	52		31-51-31	SM00065		W	N2	1		
615	24	PK	D00817	52		31-51-32	SM00065		W	N2	1		
617	24	PK	D01381	11		27-32-12	D00823	56	W	N2	1		
618	24	PK	D01381	56		27-32-12	D00823	11		N2			
619	24	PK	D00823	45		27-32-12	SM00082		W	N2	1		
620	24	PK	D04349J	29		31-51-21	SM00071		W	N2	1		
621	24	PK	D00815	7		31-51-21	SM00071		W	N2	1		
622	24	PK	D01489	2		31-51-33	SM00071		W	N2	1		
623	24	PK	D01489	36		31-51-33	SM00038		W	N2	1		
624	24	PK	D00815	8		31-51-21	SM00045		W	N2	1		
625	24	PK	D01487	9		31-51-31	SM00034		W	N2	1		

286T0045-312
Wire Bundle Assembly
Figure 115 (Sheet 13)

25-71-02



BOEING
COMPONENT
MAINTENANCE MANUAL

WIRE		FROM EQUIPMENT			TO EQUIPMENT			WIRE INFO					
NUMBER	GA	TYP	NUMBER	TERM	TT	WDM REF	NUMBER	TERM	TT	EMC/SEP	FT	NOTES	EFFECTIVITY
628	22	PA	D01487	20		31-51-31	GDX0006	D.	2	N2	2		
629	22	PA	D01487	53		31-51-31	GDX0006	D.	2	N2	2		
630	22	PA	D01487	21		31-51-31	GDX0006	D.	2	N2	2		
631	24	PK	D00817	9		31-51-32	SM00034	D.	W	N2	1		
634	22	PA	D00817	20		31-51-32	GDX0006	D.	2	N2	2		
635	22	PA	D00817	53		31-51-32	GDX0006	D.	2	N2	2		
636	22	PA	D00817	21		31-51-32	GDX0006	D.	2	N2	2		
644	22	PQ	D00823	66		27-32-31	D04347J	42		N2	2		
644Z			D00823	DED		27-32-31	D04347J	DED		N2	2		
646	22	PQ	D01381	66		27-32-31	D04349J	42		N2	2		
646Z			D01381	DED		27-32-31	D04349J	DED		N2	2		
681	24	PK	D01433	10		31-51-43	D04507J	10		N2	2		
682	24	PK	D01433	13		31-51-43	D04347J	46		N2	2		
683	22	PA	D01433	41		31-51-43	SM00081		W	N2	1		
684	20	PA	GDX0001	D..	2	31-51-43	D04349J	47		N2	2		
685	24	PK	D00823	58		27-32-12	D01505	A1		N2	2		
686	24	PK	D00823	8		27-32-11	SM00038		W	N2	1		
687	24	PK	D00823	64		27-32-11	SM00081		W	N2	1		
688	24	PK	D01381	58		27-32-22	D01503	A1		N2	2		
689	24	PK	D01381	45		27-32-22	SM00085		W	N2	1		
692	24	PK	D01381	8		27-32-21	SM00038		W	N2	1		
693	24	PK	D04347J	30		31-51-21	D00815	6		N2	2		
694	22	PA	D04349J	46		31-51-43	SM00081		W	N2	1		
696	20	PA	GDX0003	D..	2	27-32-12	SM00082		W	N2	1		
697	20	PA	GDX0003	D..	2	27-32-22	SM00085		W	N2	1		
701	24	PK	D00815	49		31-51-21	D00815	22		N2	2		
702	24	PK	D00815	16		31-51-21	D00815	48		N2	2		
703	24	PK	D00819	6		31-51-41	SM00019		W	N2	1		
704	24	PK	SM00075		W	31-51-41	D04511J	14		N2	1		
705	24	PK	D00819	45		31-51-41	D04511J	12		N2	2		
706	24	PK	D00819	10		31-51-41	D04349J	31		N2	2		
707	24	PK	D00819	21		31-51-41	D04509J	4		N2	2		
708	24	PK	D00819	9		31-51-41	D04349J	7		N2	2		

286T0045-312
Wire Bundle Assembly
Figure 115 (Sheet 14)

25-71-02

TESTING & TROUBLE SHOOTING
01

Page 154C
Nov 01/02

WIRE			FROM EQUIPMENT			TO EQUIPMENT			WIRE INFO				
NUMBER	GA	TYP	NUMBER	TERM	TT	WDM REF	NUMBER	TERM	TT	EMC/SEP	FT	NOTES	EFFECTIVITY
709	24	PK	D00819	39		31-51-41	SM00044		W	N2	1		
710	24	PK	D00819	43		31-51-41	SM00037		W	N2	1		
711	24	PK	D00819	12		31-51-41	D04349J	21		N2	2		
712	24	PK	D00819	53		31-51-41	D04349J	3		N2	2		
713	24	PK	D00819	20		31-51-41	D04347J	9		N2	2		
714	24	PK	D00819	44		31-51-41	D04349J	24		N2	2		
715	24	PK	D04507J	6		31-51-42	SM00019		W	N2	1		
716	24	PK	D01433	34		31-51-42	SM00019		W	N2	1		
717	24	PK	D01433	37		31-51-42	SM00034		W	N2	1		
718	24	PK	D01433	39		31-51-42	D04509J	2		N2	2		
720	24	PK	D01433	52		31-51-42	SM00040		W	N2	1		
721	24	PK	D01433	38		31-51-42	D04347J	24		N2	2		
722	24	PK	D01433	5		31-51-42	D04349J	22		N2	2		
723	24	PK	D04511J	11		31-51-42	SM00038		W	N2	1		
724	24	PK	D01433	40		31-51-42	SM00038		W	N2	1		
725	24	PK	D01433	3		31-51-42	D04347J	13		N2	2		
726	22	PA	D04347J	14		31-51-21	SM00036		W	N2	1		
727	22	PA	D04301J	11		31-51-21	SM00035		W	N2	1		
728	24	PK	D04347J	1		31-51-41	D00819	35		N2	2		
729	24	PK	D04347J	2		31-51-41	D00819	1		N2	2		
730	24	PK	D04347J	3		31-51-41	D00819	36		N2	2		
731	24	PK	D04347J	4		31-51-41	D00819	2		N2	2		
732	24	PK	D04347J	5		31-51-42	D01433	20		N2	2		
733	24	PK	D04347J	16		34-16-11	D00821	65		N2	2		
734	24	PK	D04347J	8		31-51-31	SM00046		W	N2	1		
735	24	PK	D04507J	7		34-16-11	D00821	34		N2	2		
736	24	PK	D04507J	2		34-16-11	D00821	66		N2	2		
737	24	PK	SM00041		W	34-16-11	D00821	31		N2	1		
738	24	PK	D04347J	19		34-16-11	D00821	7		N2	2		
739	24	PK	SM00075		W	34-16-11	D00821	6		N2	1		
740	24	PK	SM00038		W	34-16-11	D00821	40		N2	1		
741	24	PK	D00821	18		34-16-11	D00821	22		N2	2		
742	24	PK	D00821	50		34-16-11	D00821	48		N2	2		

286T0045-312
Wire Bundle Assembly
Figure 115 (Sheet 15)

25-71-02



BOEING
COMPONENT
MAINTENANCE MANUAL

WIRE		FROM EQUIPMENT			TO EQUIPMENT			WIRE INFO					
NUMBER	GA	TYP	NUMBER	TERM	TT	WDM REF	NUMBER	TERM	TT	EMC/SEP	FT	NOTES	EFFECTIVITY
746	24	PK	D04597J	10		31-51-31	SM00043		W	N2	1		
747	24	PK	D01487	46		31-51-31	SM00043		W	N2	1		
748	24	PK	D04347J	7		31-51-31	SM00045		W	N2	1		
749	24	PK	D01487	10		31-51-31	SM00045		W	N2	1		
750	24	PK	D01487	19		31-51-31	SM00046		W	N2	1		
751	24	PK	D01487	13		31-51-31	SM00040		W	N2	1		
752	24	PK	D01487	47		31-51-31	SM00044		W	N2	1		
753	24	PK	D01487	51		31-51-31	SM00041		W	N2	1		
755	24	PV	D01487	1		31-51-31	SM00035		W	N2	1		
755Z			D01487	DED		31-51-31	SM00035	DED		N2			
756	24	PK	D01487	50		31-51-31	SM00036		W	N2	1		
757	24	PK	D01487	11		31-51-31	SM00039		W	N2	1		
758	24	PK	D01487	22		31-51-31	D01489	23		N2	2		
759	24	PK	D01487	55		31-51-31	D01489	47		N2	2		
760	24	PK	D01487	34		31-51-31	D01489	51		N2	2		
761	24	PK	D01487	66		31-51-31	D01489	57		N2	2		
762	24	PK	D00817	10		31-51-32	SM00045		W	N2	1		
763	24	PK	D00817	46		31-51-32	SM00043		W	N2	1		
764	24	PV	D00817	1		31-51-32	SM00035		W	N2	1		
764Z			D00817	DED		31-51-32	SM00035	DED		N2			
765	24	PK	D00817	50		31-51-32	SM00036		W	N2	1		
766	24	PV	D00817	11		31-51-32	SM00053		W	N2	1		
766Z			D00817	DED		31-51-32	SM00053	DED		N2			
767	24	PK	D00817	19		31-51-32	SM00046		W	N2	1		
768	24	PK	D00817	13		31-51-32	SM00040		W	N2	1		
769	24	PK	D00817	47		31-51-32	SM00044		W	N2	1		
770	24	PK	D00817	51		31-51-32	SM00041		W	N2	1		
772	24	PK	D00817	22		31-51-32	D01489	54		N2	2		
773	24	PK	D00817	55		31-51-32	D01489	13		N2	2		
774	24	PK	D00817	34		31-51-32	D01489	25		N2	2		
775	24	PK	D00817	66		31-51-32	D01489	58		N2	2		
776	24	PK	D01489	42		31-51-33	D04347J	15		N2	2		
777	24	PK	D01489	8		31-51-33	D04349J	13		N2	2		

286T0045-312
Wire Bundle Assembly
Figure 115 (Sheet 16)

25-71-02

TESTING & TROUBLE SHOOTING

01

Page 154E

Nov 01/02

WIRE		FROM EQUIPMENT			TO EQUIPMENT			WIRE INFO					
NUMBER	GA	TYP	NUMBER	TERM	TT	WDM REF	NUMBER	TERM	TT	EMC/SEP	FT	NOTES	EFFECTIVITY
779	24	PK	D01489	35		31-51-33	D04349J	40		N2	2		
780	24	PK	D01489	53		31-51-33	D04349J	2		N2	2		
781	24	PK	D01489	31		31-51-33	D01489	48		N2			
782	24	PK	D01489	18		31-51-33	D01489	22		N2			
783	24	PK	D01489	38		31-51-33	SM00008		W	N2	1		
784	24	PK	D01489	4		31-51-33	SM00011		W	N2	1		
785	24	PK	D01489	37		31-51-33	SM00012		W	N2	1		
786	24	PK	D01489	3		31-51-33	SM00010		W	N2	1		
787	24	PK	D01489	1		31-51-33	SM00009		W	N2	1		
788	24	PK	D01489	6		31-51-33	SM00034		W	N2	1		
789	24	PK	D01489	41		31-51-33	D04509J	11		N2	2		
791	24	PK	D01489	7		31-51-33	D04509J	10		N2	2		
792	24	PK	D01489	40		31-51-33	D04509J	9		N2	2		
793	24	PK	D00819	11		31-51-41	SM00075		W	N2	1		
794	20	PA	D04303J	10		31-51-32	GDX0004	S.	2	N2	2		
795	24	PK	D01433	9		31-51-42	D01433	48		N2			
796	24	PK	D01433	22		31-51-42	D01433	50		N2			
797	24	PV	D00815	41		31-51-21	SM00053		W	N2	1		
797Z			D00815	DED		31-51-21	SM00053	DED		N2			
798	24	PV	D04349J	9		31-51-21	SM00053		W	N2	1		
798Z			D04349J	DED		31-51-21	SM00053	DED		N2			
817	24	PK	D00823	55		27-32-12	D11553	6		N2	2		
818	24	PK	D00823	21		27-32-12	D11553	4		N2	2		
819	24	PK	D00823	51		27-32-12	D11553	3		N2	2		
820	24	PK	D00823	50		27-32-12	D11553	2		N2	2		
821	24	PK	D00823	49		27-32-12	D11553	7		N2	2		
822	24	PK	D00823	47		27-32-12	D11553	8		N2	2		
823	24	PK	D00823	46		27-32-12	D11553	9		N2	2		
824	24	PK	D00823	53		27-32-12	D11553	5		N2	2		
825	24	PK	D00823	62		27-32-12	D11553	24		N2	2		
826	24	PK	D01381	55		27-32-22	D11553	16		N2	2		
827	24	PK	D01381	21		27-32-22	D11553	14		N2	2		
828	24	PK	D01381	51		27-32-22	D11553	13		N2	2		

286T0045-312
Wire Bundle Assembly
Figure 115 (Sheet 17)

25-71-02



BOEING
COMPONENT
MAINTENANCE MANUAL

WIRE			FROM EQUIPMENT			TO EQUIPMENT			WIRE INFO				
NUMBER	GA	TYP	NUMBER	TERM	TT	WDM REF	NUMBER	TERM	TT	EMC/SEP	FT	NOTES	EFFECTIVITY
829	24	PK	D01381	50		27-32-22	D11553	12		N2	2		
830	24	PK	D01381	49		27-32-22	D11553	17		N2	2		
831	24	PK	D01381	47		27-32-22	D11553	18		N2	2		
832	24	PK	D01381	46		27-32-22	D11553	19		N2	2		
833	24	PK	D01381	53		27-32-22	D11553	15		N2	2		
834	24	PK	D01381	62		27-32-22	D11553	34		N2	2		
835	24	PK	D04349J	50		27-32-21	D01381	64		N2	2		
836	20	PA	D04349J	53		27-32-21	GDX0002	S.	2	N2	2		
837	24	PK	D00823	42		27-32-12	SM00082		W	N2	1		
838	24	PK	D01381	42		27-32-22	SM00085		W	N2	1		
862	22	PA	D02261	30		31-41-35	GDX0006	S.	2	N2	1		
863	22	PA	D02261	32		31-41-35	GDX0006	S.	2	N2	1		
864	22	PA	D02261	33		31-41-35	GDX0006	S.	2	N2	1		
865	22	PA	D02261	64		31-41-35	GDX0006	S.	2	N2	1		
866	24	PV	D02261	27		31-51-11	SM00018		W	N2	1		
866Z			D02261	DED		31-51-11	SM00018	REF		N2			
867	24	PV	D02261	28		31-51-11	SM00047		W	N2	1		
867Z			D02261	DED		31-51-11	SM00047	REF		N2			
868	24	PV	D02261	29		31-51-12	SM00054		W	N2	1		
868Z			D02261	DED		31-51-12	SM00054	REF		N2			
869	24	PK	D02261	34		31-51-12	SM00025		W	N2	1		
870	22	PA	D02261	56		31-51-12	GDX0001	S.	2	N2	2		
871	22	PA	D02261	57		31-51-12	GDX0003	S.	2	N2	2		
872	22	PA	D02261	59		31-51-11	GDX0005	S.	2	N2	1		
873	24	PV	D02261	60		31-51-12	SM00055		W	N2	1		
873Z			D02261	DED		31-51-12	SM00055	REF		N2			
874	24	PV	D02261	62		31-51-11	SM00049		W	N2	1		
874Z			D02261	DED		31-51-11	SM00049	REF		N2			
875	24	PV	D02261	63		31-51-12	SM00056		W	N2	1		
875Z			D02261	DED		31-51-12	SM00056	REF		N2			
876	24	PK	D02261	65		31-51-11	SM00022		W	N2	1		
877	24	PV	D00811	14		31-51-11	SM00018		W	N2	2		
877Z			D00811	DED		31-51-11	SM00018	REF		N2			

286T0045-312
Wire Bundle Assembly
Figure 115 (Sheet 18)

25-71-02

TESTING & TROUBLE SHOOTING

01

Page 154G

Nov 01/02

WIRE			FROM EQUIPMENT				TO EQUIPMENT				WIRE INFO			
NUMBER	GA	TYP	NUMBER	TERM	TT	WDM REF	NUMBER	TERM	TT	EMC/SEP	FT	NOTES	EFFECTIVITY	
878	24	PV	D00811	48		31-51-11	SM00047		W	N2	2			
878Z			D00811	DED		31-51-11	SM00047	REF		N2				
879	24	PV	D00811	23		31-51-11	SM00049		W	N2	2			
879Z			D00811	DED		31-51-11	SM00049	REF		N2				
880	24	PV	D00813	14		31-51-12	SM00054		W	N2	2			
880Z			D00813	DED		31-51-12	SM00054	REF		N2				
881	24	PV	D00813	48		31-51-12	SM00055		W	N2	2			
881Z			D00813	DED		31-51-12	SM00055	REF		N2				
882	24	PV	D00813	23		31-51-12	SM00056		W	N2	2			
882Z			D00813	DED		31-51-12	SM00056	REF		N2				
883	22	PA	D02261	15		38-32-11	D04349J	26		N2	2			
884	22	PA	D02261	47		38-32-11	D04347J	27		N2	2			
885	24	PK	D04303J	9		31-51-21	SM00057		W	N2	1			
886	24	PK	D04507J	3		31-51-21	SM00058		W	N2	1			
887	24	PK	D04507J	1		31-51-21	SM00058		W	N2	1			
888	24	PK	SM00057		W	31-51-21	D04349J	44		N2	1			

286T0045-312
 Wire Bundle Assembly
 Figure 115 (Sheet 19)

25-71-02

TESTING & TROUBLE SHOOTING
 01 Page 154H
 Nov 01/02



BOEING
COMPONENT
MAINTENANCE MANUAL

WIRE			FROM EQUIPMENT			TO EQUIPMENT			WIRE INFO				
NUMBER	GA	TYP	NUMBER	TERM	TT	WDM REF	NUMBER	TERM	TT	EMC/SEP	FT	NOTES	EFFECTIVITY
FRA			M01103			31-51-12	M01103	GND	D	N2			
FRB			D00813			31-51-12	D00813	59		N2			
FRC			M01102			31-51-11	M01102	GND	D	N2			
FRD			D00811			31-51-11	D00811	59		N2			
FRG			D04349J	58		31-41-35	D04349J			N2			
FRH			D04349J	61		28-41-11	D04349J			N2			
PA1			D00815	47		99-99-99	D00815	63		N2		DAW-B2	
PA2			D00817	8		99-99-99	D00817	57		N2		DAW-B2	
PA3			D00819	41		99-99-99	D00819	55		N2		DAW-B2	
PA4			D00821	43		99-99-99	D00821	60		N2		DAW-B2	
PA5			D00823	52		99-99-99	D00823	65		N2		DAW-B2	
PA6			D01433	44		99-99-99	D01433	61		N2		DAW-B2	
PA7			D01381	52		99-99-99	D01381	65		N2		DAW-B2	
PA8			D01487	8		99-99-99	D01487	57		N2		DAW-B2	
PA9			D01489	56		99-99-99	D01489	65		N2		DAW-B2	
PB4			D02261	54		99-99-99	D02261	61		N2		DAW-B2	
P01		SE	D11553							N2			
1	22	PA	D00811	60		31-51-11	GDX0001	S..	2	N2	3		
2	22	PA	D00821	14		31-51-11	GDX0002	D..	2	N2	2		
3	24	FV	D00811	26		31-51-11	D00821	27		N2	3		
003Z			D00811	DED		31-51-11	D00821			N2			
4	24	FV	D00811	49		31-51-11	D00821	32		N2	3		
004Z			D00811	DED		31-51-11	D00821			N2			
5	24	FV	D00811	35		31-51-11	D00821	17		N2	3	PAJ-T2	
005Z			D00811	DED		31-51-11	D00821			N2			
6	24	PK	SM00022		W	31-51-11	D00821	51		N2	1		
7	24	PK	D00811	65		31-51-11	SM00022		W	N2	2		
8	24	PK	D00819	37		31-51-11	SM00022		W	N2	1		
9	24	PV	D00819	27		31-51-11	D00811	13		N2	3		
009Z			D00811	DED		31-51-11	D00819			N2			
01A	24	PK	D04349J	43		31-51-33	D01489	49		N2	2		VS473-VS485
10	22	PA	D00819	14		31-51-11	GDX0001	D..	2	N2	2		

286T0045-314
Wire Bundle Assembly
Figure 116 (Sheet 1)

25-71-02

WIRE			FROM EQUIPMENT			TO EQUIPMENT			WIRE INFO				
NUMBER	GA	TYP	NUMBER	TERM	TT	WDM REF	NUMBER	TERM	TT	EMC/SEP	FT	NOTES	EFFECTIVITY
11	24	PK	D01433	51		31-51-11	SM00022		W	N2	1		
12	24	PV	SM00018		W	31-51-11	D01433	27		N2	1		
012Z			SM00018	REF		31-51-11	D01433			N2			
13	24	PV	SM00047		W	31-51-11	D01433	32		N2	1		
013Z			SM00047	REF		31-51-11	D01433			N2			
14	24	PV	SM00049		W	31-51-11	D01433	17		N2	1		
014Z			SM00049	REF		31-51-11	D01433			N2			
15	22	PA	D01433	14		31-51-11	GDX0001	D..	2	N2	2		
16	20	PA	SM00028		W	31-51-11	GDX0005	D..	2	N2	2		
17	20	UA	GDX0002	S..	2	31-51-11	D00821			N2	2		
18	20	UA	GDX0005	S..	2	31-51-11	D00819			N2	2		
19	20	UA	D01433		2	31-51-11	GDX0002	S..	2	N2	2		
20	20	PA	GDX0005	D..	2	31-51-11	SM00029		W	N2	2		
21	20	UA	GDX0002	S..	2	31-51-11	D01503		2	N2	2		
23	20	UA	D00815			31-51-11	GDX0002	S..	2	N2	2		
24	24	PK	D04349J	38		31-51-11	SM00005		W	N2	1		
25	24	PK	D01503	A2		31-51-11	SM00005		W	N2	1		
26	20	PA	D01503	A3		31-51-11	SM00005		2	N2	2		
27	22	PQ	D01503	X2		31-51-11	GDX0003	D..	2	N2	4		
027Z			D00811	DED		31-51-11	D00811	75		N2			
28	24	PV	D01503	X1		31-51-11	SM00015		W	N2	1		
028Z			SM00015	REF		31-51-11	D01503			N2			
29	24	PV	D00811	46		31-51-11	SM00015		W	N2	2		
029Z			SM00015	REF		31-51-11	D00811			N2			
30	24	PK	SM00015		W	31-51-11	D00811	DED		N2	1		
32	20	PA	D11553	11		31-51-11	D11553	35		N2	2		
33	24	PK	D11553	37		31-51-11	GDX0003	D..	2	N2	4		
34	24	PK	D11553	36		31-51-11	D00811	34		N2	4		
35	22	PA	D00815	14		31-51-11	D00811	33		N2	4		
36	24	PV	D00815	27		31-51-11	GDX0001	D..	2	N2	2		
036Z			D00811	DED		31-51-11	D00811	12		N2	3		
37	24	PV	D00815	32		31-51-11	D00815	17		N2	3		

286T0045-314
Wire Bundle Assembly
Figure 116 (Sheet 2)

25-71-02



BOEING
COMPONENT
MAINTENANCE MANUAL

WIRE			FROM EQUIPMENT			TO EQUIPMENT			WIRE INFO				
NUMBER	GA	TYP	NUMBER	TERM	TT	WDM REF	NUMBER	TERM	TT	EMC/SEP	FT	NOTES	EFFECTIVITY
037Z			D00811	DED		31-51-11	D00815			N2			
38	24	PV	D00815	17		31-51-11	D00811	22		N2	3		
038Z			D00811	DED		31-51-11	D00815			N2			
39	24	PK	D00815	54		31-51-11	SM00020		W	N2	1		
40	24	PK	D00811	63		31-51-11	SM00020		W	N2	2		
41	24	PK	D00823	35		31-51-11	SM00020		W	N2	1		
42	24	PK	D01381	35		31-51-11	SM00020		W	N2	1		
45	22	PA	D01381	14		31-51-11	GDX0001	D..	2	N2	2		
46	22	PA	D01381	48		31-51-11	GDX0003	D..	2	N2	2		
47	24	PV	D01381	27		31-51-11	D00811	11		N2	3		
047Z			D00811	DED		31-51-11	D01381			N2			
48	24	PV	D01381	32		31-51-11	D00811	16		N2	3		
048Z			D00811	DED		31-51-11	D01381			N2			
49	24	PV	D01381	17		31-51-11	D00811	21		N2	3		
049Z			D00811	DED		31-51-11	D01381			N2			
52	22	PA	D00823	14		31-51-11	GDX0001	D..	2	N2	2		
53	22	PA	D00823	48		31-51-11	GDX0003	D..	2	N2	2		
54	24	PV	D00823	27		31-51-11	D00811	10		N2	3		
054Z			D00811	DED		31-51-11	D00823			N2			
55	24	PV	D00823	32		31-51-11	D00811	15		N2	3		
055Z			D00811	DED		31-51-11	D00823			N2			
56	24	PV	D00823	17		31-51-11	D00811	20		N2	3		
056Z			D00811	DED		31-51-11	D00823			N2			
57	22	PA	D00817	14		31-51-11	GDX0002	D..	2	N2	2		
58	24	PV	D00817	27		31-51-11	D00811	51		N2	3		
058Z			D00811	DED		31-51-11	D00817			N2			
59	24	PV	D00817	32		31-51-11	D00811	74		N2	3		
059Z			D00811	DED		31-51-11	D00817			N2			
60	24	PK	D00817	45		31-51-11	SM00021		W	N2	1		
61	24	PK	D00811	64		31-51-11	SM00021		W	N2	2		
62	24	PK	D01489	16		31-51-11	SM00021		W	N2	1		
63	24	PK	D01487	45		31-51-11	SM00021		W	N2	1		

286T0045-314
Wire Bundle Assembly
Figure 116 (Sheet 3)

25-71-02

WIRE			FROM EQUIPMENT			TO EQUIPMENT			WIRE INFO				
NUMBER	GA	TYP	NUMBER	TERM	T/T	WDM REF	NUMBER	TERM	T/T	EMC/ SEP	FT	NOTES	EFFECTIVITY
64	24	PV	D01487	27		31-51-11	D00811	47		N2	3		
064Z			D00811	DED		31-51-11	D01487			N2			
65	24	PV	D01487	32		31-51-11	D00811	70		N2	3		
065Z			D00811	DED		31-51-11	D01487			N2			
66	22	PA	D01487	14		31-51-11	GDX0003	D..	2	N2	2		
67	24	PV	D01489	27		31-51-11	D00811	45		N2	3		
067Z			D00811	DED		31-51-11	D01489			N2			
68	24	PV	D01489	32		31-51-11	D00811	50		N2	3		
068Z			D00811	DED		31-51-11	D01489			N2			
69	24	PV	D01489	17		31-51-11	D00811	36		N2	3		
069Z			D00811	DED		31-51-11	D01489			N2			
70	22	PA	D01489	14		31-51-11	GDX0003	D..	2	N2	2		
71	20	UA	D01381			31-51-11	GDX0002	S..	2	N2	2		
72	20	UA	D00823			31-51-11	GDX0002	S..	2	N2	2		
73	20	UA	D00817			31-51-11	GDX0002	S..	2	N2	2		
74	20	PA	SM00026		W	31-51-11	GDX0005	D..	2	N2	2		
75	20	UA	D01487			31-51-11	GDX0005	S..	2	N2	2		
76	20	UA	GDX0005	S..	2	31-51-11	D01489			N2	2		
77	24	PK	D02261	40		31-41-35	D04349J	1		N2	2		
78	20	PA	SM00027		W	31-51-11	GDX0005	D..	2	N2	3		
79	22	PA	D00813	60		31-51-12	GDX0003	S..	2	N2	2		
80	22	PA	D00821	15		31-51-12	GDX0002	D..	2	N2	2		
81	24	PV	D00821	30		31-51-12	D00813	26		N2	3		
081Z			D00813	DED		31-51-12	D00821			N2			
82	24	PV	D00821	33		31-51-12	D00813	49		N2	3		
082Z			D00813	DED		31-51-12	D00821			N2			
83	24	PV	D00821	24		31-51-12	D00813	35		N2	3		
083Z			D00813	DED		31-51-12	D00821			N2			
84	24	PK	D00821	19		31-51-12	SM00025		W	N2	1		
85	24	PK	D00813	65		31-51-12	SM00025		W	N2	2		
86	24	PK	D00819	3		31-51-12	SM00025		W	N2	1		
87	24	PK	D01433	18		31-51-12	SM00025		W	N2	1		

286T0045-314
Wire Bundle Assembly
Figure 116 (Sheet 4)

25-71-02

BOEING
 COMPONENT
 MAINTENANCE MANUAL

WIRE			FROM EQUIPMENT			TO EQUIPMENT			WIRE INFO				
NUMBER	GA	TYP	NUMBER	TERM	TT	WDM REF	NUMBER	TERM	TT	EMC/SEP	FT	NOTES	EFFECTIVITY
88	22	PA	D01433	15		31-51-12	GDX0002	D..	2	N2	2		
89	24	PV	D01433	30		31-51-12	SM00054		W	N2	1		
089Z			SM00054	REF		31-51-12	D01433		W	N2	1		
90	24	PV	D01433	33		31-51-12	SM00055		W	N2	1		
090Z			SM00055	REF		31-51-12	D01433		W	N2	1		
91	24	PV	D01433	24		31-51-12	SM00056		W	N2	1		
091Z			SM00056	REF		31-51-12	D01433		W	N2	1		
92	22	PA	D00819	15		31-51-12	GDX0002	D..	2	N2	2		
93	24	PV	D00819	30		31-51-12	D00813	13		N2	3		
093Z			D00813	DED	W	31-51-12	D00819			N2	2		
94	20	PA	SM00032			31-51-12	GDX0005	D..	2	N2	2		
95	24	PV	D01505	X2		31-51-12	D00813	75		N2	3		
095Z			D00813	DED		31-51-12	D01505			N2	1		
96	24	PV	D01505	X1		31-51-12	SM00016		W	N2	1		
096Z			SM00016	REF		31-51-12	D01505		W	N2	2		
97	24	PV	D00813	46		31-51-12	SM00016		W	N2	2		
097Z			SM00016	REF		31-51-12	D00813	DED		N2	2		
98	20	PA	SM00033			31-51-12	GDX0005	D..	2	N2	1		
99	24	PK	SM00016		W	31-51-12	D11553	25		N2	2		
10A	24	PK	D01489	21		31-51-33	D04349J	23		N2	2		
100	20	PA	D11553	1		31-51-12	GDX0003	D..	2	N2	2		
101	20	UA	D00821			31-51-12	GDX0004	S..	2	N2	2		
102	20	UA	D00819			31-51-12	GDX0004	S..	2	N2	2		
103	20	UA	D01433			31-51-12	GDX0004	S..	2	N2	2		
104	20	UA	D01505			31-51-12	GDX0005	S..	2	N2	2		
106	20	UA	D00815			31-51-12	GDX0004	S..	2	N2	2		
107	20	UA	D01381			31-51-12	GDX0004	S..	2	N2	2		
109	20	UA	D00817			31-51-12	GDX0004	S..	2	N2	2		
110	20	UA	D01487			31-51-12	GDX0004	S..	2	N2	2		
111	20	UA	D01489			31-51-12	GDX0001	S..	2	N2	2		
112	22	PA	D00815	15		31-51-12	GDX0001	S..	2	N2	2		
113	24	PK	D01505	A2		31-51-12	SM00005	D..	W	N2	1		

286T0045-314
 Wire Bundle Assembly
 Figure 116 (Sheet 5)

25-71-02

WIRE			FROM EQUIPMENT			TO EQUIPMENT			WIRE INFO				
NUMBER	GA	TYP	NUMBER	TERM	TT	WDM REF	NUMBER	TERM	TT	EMC/SEP	FT	NOTES	EFFECTIVITY
114	20	PA	D01505	A3		31-51-12	GDX0003	D..	2	N2	2		
115	24	PK	D02261	21		21-61-51	D04347J	25		N2	2		
116	24	PK	D00815	21		31-51-12	SM00023		W	N2	1		
117	24	PK	D00813	63		31-51-12	SM00023		W	N2	2		
118	24	PK	D00823	1		31-51-12	SM00023		W	N2	1		
119	24	PK	D01381	1		31-51-12	SM00023		W	N2	1		
120	22	PA	D01381	15		31-51-12	GDX0001	D..	2	N2	2		
121	24	PK	D00817	56		31-51-12	SM00024		W	N2	1		
122	24	PK	D00813	64		31-51-12	SM00024		W	N2	2		
123	24	PK	D01487	56		31-51-12	SM00024		W	N2	1		
124	22	PA	D00823	15		31-51-12	GDX0001	D..	2	N2	2		
125	20	UA	D00823			31-51-12	GDX0004	S..	2	N2	2		
126	24	PV	D00823	33		31-51-12	D00813	15		N2	3		
126Z			D00823			31-51-12	D00813	DED		N2			
127	24	PV	D00823	24		31-51-12	D00813	20		N2	3		
127Z			D00823			31-51-12	D00813	DED		N2			
128	22	PA	D00817	15		31-51-12	GDX0002	D..	2	N2	2		
129	24	PV	D00817	30		31-51-12	D00813	51		N2	3		
129Z			D00817			31-51-12	D00813	DED		N2			
130	24	PV	D00817	33		31-51-12	D00813	74		N2	3		
130Z			D00817			31-51-12	D00813	DED		N2			
131	24	PV	D00813	11		31-51-12	D01381	30		N2	3		
131Z			D01381			31-51-12	D00813	DED		N2			
132	24	PV	D00813	16		31-51-12	D01381	33		N2	3		
132Z			D01381			31-51-12	D00813	DED		N2			
133	24	PV	D01381	24		31-51-12	D00813	21		N2	3		
133Z			D01381			31-51-12	D00813	DED		N2			
134	24	PK	D01489	50		31-51-12	SM00024		W	N2	1		
135	24	PV	D01487	30		31-51-12	D00813	47		N2	3		
135Z			D01487			31-51-12	D00813	DED		N2			
136	24	PV	D01487	33		31-51-12	D00813	70		N2	3		
136Z			D01487			31-51-12	D00813	DED		N2			

286T0045-314
Wire Bundle Assembly
Figure 116 (Sheet 6)

25-71-02



BOEING
COMPONENT
MAINTENANCE MANUAL

WIRE			FROM EQUIPMENT			TO EQUIPMENT			WIRE INFO				
NUMBER	GA	TYP	NUMBER	TERM	TT	WDM REF	NUMBER	TERM	TT	EMC/SEP	FT	NOTES	EFFECTIVITY
137	22	PA	D01487	15		31-51-12	GDX0003	D..	2	N2	2		
138	24	PV	D01489	30		31-51-12	D00813	45		N2	3		
138Z			D01489			31-51-12	D00813	DED		N2			
139	24	PV	D01489	33		31-51-12	D00813	50		N2	3		
139Z			D01489			31-51-12	D00813	DED		N2			
140	24	PV	D01489	24		31-51-12	D00813	36		N2	3		
140Z			D01489			31-51-12	D00813	DED		N2			
141	22	PA	D01489	15		31-51-12	GDX0003	D..	2	N2	2		
142	24	PK	D00813	33		31-51-12	D11553	26		N2	3		
143	24	PK	D11553	27		31-51-12	D00813	34		N2	3		
144	24	PV	D00813	12		31-51-12	D00815	30		N2	3		
144Z			D00813	DED		31-51-12	D00815			N2			
145	20	PA	SM00030		W	31-51-12	GDX0005	D..	2	N2			
146	24	PV	D00813	17		31-51-12	D00815	33		N2	3		
146Z			D00813	DED		31-51-12	D00815			N2			
147	24	PV	D00813	22		31-51-12	D00815	24		N2	3		
147Z			D00813	DED		31-51-12	D00815			N2			
148	24	PV	D00813	10		31-51-12	D00823	30		N2	3		
148Z			D00813	DED		31-51-12	D00823			N2			
149	20	PA	SM00031		W	31-51-12	GDX0005	D..	2	N2			
150	22	PA	D04301J	6		27-32-11	D00823	34		N2	2		
151	24	PK	D04509J	1		27-32-11	D00823	39		N2	2		
152	24	PK	D04347J	26		27-32-11	D00823	40		N2	2		
153	24	PK	D00823	31		27-32-11	D04509J	6		N2	2		
154	20	PA	D04509J	7		27-32-11	GDX0001	D..	2	N2	2		
155	24	PK	SM00037		W	27-32-11	D04511J	3		N2	1		
156	24	PK	D00823	38		27-32-11	D04511J	2		N2	2		
157	24	PK	D04511J	4		27-32-11	SM00050		W	N2	1		
158	24	PK	SM00037		W	27-32-11	D00823	4		N2	1		
159	24	PK	D04349J	14		27-32-11	D00823	36		N2	1		
160	24	PK	D04349J	15		27-32-11	D00823	3		N2	1		
161	24	PK	D04349J	16		27-32-11	D00823	43		N2	1		

286T0045-314
Wire Bundle Assembly
Figure 116 (Sheet 7)

25-71-02

WIRE			FROM EQUIPMENT			TO EQUIPMENT			WIRE INFO				
NUMBER	GA	TYP	NUMBER	TERM	TT	WDM REF	NUMBER	TERM	TT	EMC/SEP	FT	NOTES	EFFECTIVITY
162	24	PK	D04349J	10		27-32-11	D00823	2		N2	1		
165	22	PA	D04349J	11		27-32-21	D01381	34		N2	2		
166	24	PK	D01381	40		27-32-21	D04349J	6		N2	2		
167	24	PK	D01381	31		27-32-21	D04511J	7		N2	2		
168	20	PA	GDX0002	D..	2	27-32-21	D04511J	8		N2	2		
169	24	PK	D04349J	34		27-32-21	D01381	36		N2	2		
170	24	PK	D04349J	35		27-32-21	D01381	3		N2	2		
171	24	PK	D04349J	36		27-32-21	D01381	43		N2	2		
172	24	PK	D04349J	37		27-32-21	D01381	2		N2	2		
173	24	PK	D04511J	13		27-32-21	D01381	4		N2	2		
174	24	PK	D04511J	16		27-32-21	D01381	37		N2	2		
175	24	PK	D04511J	15		27-32-21	D01381	38		N2	2		
176	24	PK	D04509J	8		27-32-21	D01381	39		N2	2		
177	24	PK	D00815	34		31-51-21	SM00057		W	N2	1		
178	24	PK	D00815	43		31-51-21	D01433	19		N2	2		
179	24	PK	D00815	10		31-51-21	D00819	5		N2	2		
180	24	PK	D04507J	5		31-51-21	SM00034		W	N2	1		
181	24	PK	SM00058		W	31-51-21	D00815	66		N2	1		
182	24	PK	D00815	4		31-51-21	SM00034		W	N2	1		
183	24	PK	D00815	11		31-51-21	D04349J	39		N2	2		
184	22	PA	D00815	37		31-51-21	SM00035		W	N2	1		
185	22	PA	D00815	42		31-51-21	SM00036		W	N2	1		
186	24	PK	D04349J	5		31-51-21	SM00012		W	N2	1		
187	24	PK	D00815	2		31-51-21	SM00012		W	N2	1		
188	24	PK	SM00011		W	31-51-21	D04349J	4		N2	1		
189	24	PK	SM00011		W	31-51-21	D00815	35		N2	1		
190	24	PK	D04349J	12		31-51-21	SM00009		W	N2	1		
191	24	PK	D00815	44		31-51-21	SM00009		W	N2	1		
192	24	PK	D04347J	10		31-51-21	SM00008		W	N2	1		
193	24	PK	D00815	1		31-51-21	SM00008		W	N2	1		
194	24	PK	D04347J	11		31-51-21	SM00010		W	N2	1		
195	24	PK	D00815	36		31-51-21	SM00010		W	N2	1		

286T0045-314
Wire Bundle Assembly
Figure 116 (Sheet 8)

25-71-02



BOEING
COMPONENT
MAINTENANCE MANUAL

WIRE			FROM EQUIPMENT			TO EQUIPMENT			WIRE INFO				
NUMBER	GA	TYP	NUMBER	TERM	TT	WDM REF	NUMBER	TERM	TT	EMC/SEP	FT	NOTES	EFFECTIVITY
196	24	PK	SM000039		W	31-51-21	D04347J	21		N2	1		
197	24	PK	D00815	45		31-51-21	SM00039		W	N2	1		
198	24	PK	D00815	46		31-51-21	D04347J	6		N2	2		
199	20	PA	GDX0004	S..	2	31-51-31	D04597J	14		N2	2		
201B	24	PW	D01489	43		31-51-33	SM00004		W	N2	1		
201R	24	PW	D01489	9		31-51-33	SM00003		W	N2			
201Z			D01489	DED		31-51-33	SM00003	REF		N2			
204	20	UA	D04507J			27-32-11	GDX0004	S..	2	N2	2		
204B	24	PW	D00823	18		27-32-11	D04507J	12		N2	1		
204R	24	PW	D00823	16		27-32-11	D04507J	11		N2			
204Z			D04507J			27-32-11	D00823	DED		N2			
205B	24	PW	D00815	19		31-51-21	SM00007		W	N2	1		
205R	24	PW	D00815	52		31-51-21	SM00006		W	N2			
205Z			D00815	DED		31-51-21	SM00006	REF		N2			
207	20	UA	D04597J			31-51-21	GDX0004	S..	2	N2	2		
207B	24	PW	SM00007		W	31-51-21	D04597J	4		N2	1		
207R	24	PW	SM00006		W	31-51-21	D04597J	3		N2			
207Z			SM00006	REF		31-51-21	D04597J			N2			
208	20	UA	D04301J			34-16-11	GDX0002	S..	2	N2	2		
208B	24	PW	D00821	36		34-16-11	D04301J	9		N2	2		
208R	24	PW	D00821	2		34-16-11	D04301J	8		N2			
208Z			D00821	DED		34-16-11	D04301J			N2			
209B	24	PW	D01489	46		31-51-33	SM00007		W	N2	1		
209R	24	PW	D01489	12		31-51-33	SM00006		W	N2			
209Z			D01489	DED		31-51-33	SM00006	REF		N2			
212B	24	PW	D01433	36		31-51-42	SM00007		W	N2	1		
212R	24	PW	D01433	2		31-51-42	SM00006		W	N2			
212Z			D01433	DED		31-51-42	SM00006	REF		N2			
213	20	UA	D04507J			34-16-11	GDX0004	S..	2	N2	2		
213B	24	PW	D00821	35		34-16-11	D04507J	8		N2	2		
213R	24	PW	D00821	1		34-16-11	D04507J	9		N2			
213Z			D00821	DED		34-16-11	D04507J			N2			

286T0045-314
Wire Bundle Assembly
Figure 116 (Sheet 9)

25-71-02

WIRE			FROM EQUIPMENT			TO EQUIPMENT			WIRE INFO					
NUMBER	GA	TYP	NUMBER	TERM	TT	WDM	REF	NUMBER	TERM	TT	BMC/ SEP	FT	NOTES	EFFECTIVITY
214	20	UA	D04349J			34-16-11		GDX0004	S..	2	N2	2		
214B	24	PW	D00821	37		34-16-11		D04349J	19		N2	2		
214R	24	PW	D00821	3		34-16-11		D04349J	18		N2			
214Z			D00821	DED		34-16-11		D04349J			N2			
215B	24	PL	D01487	24		31-51-31		D04597J	12		N2	2		
215R	24	PL	D01487	23		31-51-31		D04597J	13		N2			
216B	24	PL	D00817	24		31-51-32		D04303J	12		N2	2		
216R	24	PL	D00817	23		31-51-32		D04303J	11		N2			
221B	24	PW	D01489	45		31-51-33		SM00004		W	N2	1		
221R	24	PW	D01489	11		31-51-33		SM00003		W	N2			
221Z			D01489	DED		31-51-33		SM00003	REF		N2			
223B	24	PW	D00821	38		34-16-11		SM00004		W	N2	1		
223R	24	PW	D00821	4		34-16-11		SM00003		W	N2			
223Z			D00821	DED		34-16-11		SM00003	REF		N2			
224	20	UA	D04349J			27-32-21		GDX0004	S..	2	N2	2		
224B	24	PW	D04349J	28		27-32-21		D01381	18		N2	2		
224R	24	PW	D04349J	27		27-32-21		D01381	16		N2			
224Z			D04349J			27-32-21		D01381	DED		N2			
225B	22	PR	D00811	69		31-51-11		SM00060		W	N2	2		
225R	22	PR	D00811	68		31-51-11		SM00060		W	N2			
225Z			D00811	DED		31-51-11		SM00028	REF		N2			
226B	22	PR	D00813	69		31-51-12		SM00061		W	N2	2		
226R	22	PR	D00813	68		31-51-12		SM00061		W	N2			
226Z			D00813	DED		31-51-12		SM00030	REF		N2			
230	20	UA	D04347J			31-51-33		GDX0003	S..	2	N2	2		
230B	24	PW	D04347J	18		31-51-33		SM00004		W	N2	1		
230R	24	PW	D04347J	17		31-51-33		SM00003		W	N2			
230Z			D04347J			31-51-33		SM00003	REF		N2			
236	20	UA	D04347J			27-32-11		GDX0001	S..	2	N2	2		
236B	24	PW	D04347J	37		27-32-11		D00823	54		N2	2		
236R	24	PW	D04347J	36		27-32-11		D00823	23		N2			
236Z			D04347J			27-32-11		D00823	DED		N2			

286T0045-314
Wire Bundle Assembly
Figure 116 (Sheet 10)

25-71-02



BOEING
COMPONENT
MAINTENANCE MANUAL

WIRE			FROM EQUIPMENT				TO EQUIPMENT				WIRE INFO			
NUMBER	GA	TYP	NUMBER	TERM	TT	WDM REF	NUMBER	TERM	TT	EMC/SEP	FT	NOTES	EFFECTIVITY	
237B	24	PW	D04347J	40		27-32-11	D00823	13		N2	2			
237R	24	PW	D04347J	39		27-32-11	D00823	12		N2				
237Z			D04347J			27-32-11	D00823	DED		N2				
238	20	UA	D04349J			27-32-21	GDX0001	S..	2	N2	2			
238B	24	PW	D04349J	49		27-32-21	D01381	54		N2	2			
238R	24	PW	D04349J	48		27-32-21	D01381	23		N2				
238Z			D04349J			27-32-21	D01381	DED		N2				
239B	24	PW	D01381	20		27-32-21	D04349J	55		N2	2			
239R	24	PW	D01381	19		27-32-21	D04349J	54		N2				
239Z			D01381	DED		27-32-21	D04349J			N2				
240B	24	PL	D04347J	23		31-51-31	SM00080		W	N2	1			
240R	24	PL	D04347J	22		31-51-31	SM00042		W	N2	1			
241B	24	PL	D01487	60		31-51-31	SM00080		W	N2	1			
241R	24	PL	D01487	28		31-51-31	SM00042		W	N2	1			
242B	24	PL	D00817	60		31-51-32	SM00080		W	N2	1			
242R	24	PL	D00817	28		31-51-32	SM00042		W	N2	2			
243B	24	PW	D04349J	52		27-32-21	D01381	13		N2				
243R	24	PW	D04349J	51		27-32-21	D01381	12		N2				
243Z			D04349J			27-32-21	D01381	DED		N2				
245B	24	PW	D00823	20		27-32-11	D04347J	48		N2	2			
245R	24	PW	D00823	19		27-32-11	D04347J	47		N2				
245Z			D00823	DED		27-32-11	D04347J			N2				
247	20	UA	D04349J			31-41-35	GDX0006	S..	2	N2	2			
247B	24	PW	D02261	42		31-41-35	D04349J	57		N2	2			
247R	24	PW	D02261	43		31-41-35	D04349J	56		N2				
247Z			D02261	DED		31-41-35	D04349J			N2				
248	20	UA	D04349J			28-41-11	GDX0006	S..	2	N2	2			
248B	24	PW	D02261	5		28-41-11	D04349J	60		N2	2			
248R	24	PW	D02261	8		28-41-11	D04349J	59		N2				
248Z			D02261	DED		28-41-11	D04349J			N2				
271B	24	PL	D04597J	5		31-51-31	SM00088		W	N2	1			
271R	24	PL	D04597J	2		31-51-31	SM00087		W	N2				

286T0045-314
Wire Bundle Assembly
Figure 116 (Sheet 11)

25-71-02

WIRE			FROM EQUIPMENT			TO EQUIPMENT			WIRE INFO				
NUMBER	GA	TYP	NUMBER	TERM	TT	WDM REF	NUMBER	TERM	TT	EMC/ SEP	FT	NOTES	EFFECTIVITY
272B	24	PL	D01487	63		31-51-31	SM00088		W	N2	1		
272R	24	PL	D01487	62		31-51-31	SM00087		W	N2			
273B	24	PL	D00817	63		31-51-32	SM00088		W	N2	1		
273R	24	PL	D00817	62		31-51-32	SM00087		W	N2			
290B	24	PW	D04597J	8		34-43-15	SM00104		W	N2	1		
290R	24	PW	D04597J	7		34-43-15	SM00103		W	N2			
290Z			D04597J	9		34-43-15	SM00103	REF		N2			
291B	24	PW	D04303J	5		34-43-15	SM00104		W	N2	1		
291R	24	PW	D04303J	4		34-43-15	SM00103		W	N2			
291Z			D04303J	6		34-43-15	SM00103	REF		N2			
292B	24	PW	D04347J	53		34-43-15	SM00104		W	N2	1		
292R	24	PW	D04347J	51		34-43-15	SM00103		W	N2			
292Z			D04347J	61		34-43-15	SM00103	REF		N2			
301	20	UA	SM00028	REF		31-51-11	GDX0005	S..	2	N2	1		
301B	22	PS	D00811	57		31-51-11	SM00028		W	N2	2		
301R	22	PS	D00811	38		31-51-11	SM00028		W	N2			
301Y	22	PS	D00811	58		31-51-11	SM00028		W	N2			
301Z			D00811	DED		31-51-11	SM00028	REF		N2			
302B	22	PS	D00811	42		31-51-11	SM00029		W	N2	2		
302R	22	PS	D00811	41		31-51-11	SM00029		W	N2			
302Y	22	PS	D00811	43		31-51-11	SM00029		W	N2			
302Z			D00811	DED		31-51-11	SM00028	REF		N2			
303B	22	PS	D00811	8		31-51-11	SM00026		W	N2	2		
303R	22	PS	D00811	7		31-51-11	SM00026		W	N2			
303Y	22	PS	D00811	9		31-51-11	SM00026		W	N2			
303Z			D00811	DED		31-51-11	SM00028	REF		N2			
304B	22	PS	D00811	25		31-51-11	SM00027		W	N2	2		
304R	22	PS	D00811	24		31-51-11	SM00027		W	N2			
304Y	22	PS	D00811	37		31-51-11	SM00027		W	N2			
304Z			D00811	DED		31-51-11	SM00028	REF		N2			
305	20	UA	SM00030	REF		31-51-12	GDX0005	S..	2	N2	1		
305B	22	PS	D00813	8		31-51-12	SM00030		W	N2	2		

286T0045-314
Wire Bundle Assembly
Figure 116 (Sheet 12)

25-71-02



BOEING
COMPONENT
MAINTENANCE MANUAL

WIRE			FROM EQUIPMENT			TO EQUIPMENT			WIRE INFO				
NUMBER	GA	TYP	NUMBER	TERM	TT	WDM REF	NUMBER	TERM	TT	EMC/SEP	FT	NOTES	EFFECTIVITY
305R	22	PS	D00813	7		31-51-12	SM00030		W	N2			
305Y	22	PS	D00813	9		31-51-12	SM00030		W	N2			
305Z	22	PS	D00813	DED		31-51-12	SM00030	REF		N2			
306B	22	PS	D00813	25		31-51-12	SM00031		W	N2	2		
306R	22	PS	D00813	24		31-51-12	SM00031		W	N2			
306Y	22	PS	D00813	37		31-51-12	SM00031		W	N2			
306Z	22	PS	D00813	DED		31-51-12	SM00030	REF		N2			
307B	22	PS	D00813	57		31-51-12	SM00032		W	N2	2		
307R	22	PS	D00813	38		31-51-12	SM00032		W	N2			
307Y	22	PS	D00813	58		31-51-12	SM00032		W	N2			
307Z	22	PS	D00813	DED		31-51-12	SM00030	REF		N2			
308B	22	PS	D00813	42		31-51-12	SM00033		W	N2	2		
308R	22	PS	D00813	41		31-51-12	SM00033		W	N2			
308Y	22	PS	D00813	43		31-51-12	SM00033		W	N2			
308Z	22	PS	D00813	DED		31-51-12	SM00030	REF		N2			
512	24	PK	D02261	20	W	27-81-31	D04349J	8		N2	2		
601	20	PA	SM00060			31-51-11	GDX0004	D..	2	N2			
602	20	PA	SM00061		W	31-51-12	GDX0005	D..	2	N2			
603	24	PV	D04301J	5		31-51-12	M01103	INE	D	N2	1		
603Z	24	PV	D04301J	DED		31-51-12	M01103			N2			
604	24	PV	D04301J	4		31-51-12	D00813	4		N2	3		
604Z	24	PV	D04301J	DED		31-51-12	D00813			N2			
605	24	PV	D00813	1		31-51-12	M01103	OAD	D	N2	3		
605Z	24	PV	D00813			31-51-12	M01103	DED		N2			
606	24	PV	D04349J	32		31-51-11	M01102	INE	D	N2	1		
606Z	24	PV	D04349J	DED		31-51-11	M01102			N2			
607	24	PV	D04349J	33		31-51-11	D00811	4		N2	3		
607Z	24	PV	D04349J	DED		31-51-11	D00811			N2			
608	24	PV	D00811	1		31-51-11	M01102	OAD	D	N2	3		
608Z	24	PV	D00811			31-51-11	M01102	DED		N2			
610	24	PK	D00823	37		27-32-11	SM00050		W	N2	1		
611	24	PK	D01433	6		31-51-42	D04347J	20		N2	2		

286T0045-314
Wire Bundle Assembly
Figure 116 (Sheet 13)

25-71-02

WIRE			FROM EQUIPMENT			TO EQUIPMENT			WIRE INFO				
NUMBER	GA	TYP	NUMBER	TERM	TT	WDM REF	NUMBER	TERM	TT	EMC/ SEP	FT	NOTES	EFFECTIVITY
612	24	PK	D01433	4		31-51-42	SM00050		W	N2	1		
613	24	PK	D04349J	30		31-51-31	SM00065		W	N2	1		
614	24	PK	D01487	52		31-51-31	SM00065		W	N2	1		
615	24	PK	D00817	52		31-51-32	SM00065		W	N2	1		
617	24	PK	D01381	11		27-32-12	D00823	56		N2	1		
618	24	PK	D01381	56		27-32-12	D00823	11		N2	1		
619	24	PK	D00823	45		27-32-12	SM00082		W	N2	1		
620	24	PK	D04349J	29		31-51-21	SM00071		W	N2	1		
621	24	PK	D00815	7		31-51-21	SM00071		W	N2	1		
622	24	PK	D01489	2		31-51-33	SM00071		W	N2	1		
623	24	PK	D01489	36		31-51-33	SM00038		W	N2	1		
624	24	PK	D00815	8		31-51-21	SM00045		W	N2	1		
625	24	PK	D01487	9		31-51-31	SM00034		W	N2	1		
628	22	PA	D01487	20		31-51-31	GDX0006	D..	2	N2	2		
629	22	PA	D01487	53		31-51-31	GDX0006	D..	2	N2	2		
630	22	PA	D01487	21		31-51-31	GDX0006	D..	2	N2	2		
631	24	PK	D00817	9		31-51-32	SM00034		W	N2	1		
634	22	PA	D00817	20		31-51-32	GDX0006	D..	2	N2	2		
635	22	PA	D00817	53		31-51-32	GDX0006	D..	2	N2	2		
636	22	PA	D00817	21		31-51-32	GDX0006	D..	2	N2	2		
644	22	PQ	D00823	66		27-32-31	D04347J	42		N2	2		
644Z			D00823	DED		27-32-31	D04347J	DED		N2			
646	22	PQ	D01381	66		27-32-31	D04349J	42		N2	2		
646Z			D01381	DED		27-32-31	D04349J	DED		N2			
648	24	PK	D04347J	32		34-16-11	D00821	40		N2	2		
649	24	PK	D04347J	33		34-16-11	SM00038		W	N2	1		
681	24	PK	D01433	10		31-51-43	D04507J	10		N2	2		
682	24	PK	D01433	13		31-51-43	D04347J	46		N2	2		
683	22	PA	D01433	41		31-51-43	SM00081		W	N2	1		
684	20	PA	GDX0001	D..	2	31-51-43	D04349J	47		N2	2		
685	24	PK	D00823	58		27-32-12	D01505	A1		N2	2		
686	24	PK	D00823	8		27-32-11	SM00038		W	N2	1		

286T0045-314
Wire Bundle Assembly
Figure 116 (Sheet 14)

25-71-02



BOEING
COMPONENT
MAINTENANCE MANUAL

WIRE			FROM EQUIPMENT				TO EQUIPMENT				WIRE INFO			
NUMBER	GA	TYP	NUMBER	TERM	TT	WDM REF	NUMBER	TERM	TT	EMC/SEP	FT	NOTES	EFFECTIVITY	
687	24	PK	D00823	64		27-32-11	SM00081		W	N2	1			
688	24	PK	D01381	58		27-32-22	D01503	A1		N2	2			
689	24	PK	D01381	45		27-32-22	SM00085		W	N2	1			
692	24	PK	D01381	8		27-32-21	SM00038	6	W	N2	1			
693	24	PK	D04347J	30		31-51-21	D00815		W	N2	2			
694	22	PA	D04349J	46		31-51-43	SM00081		W	N2	1			
696	20	PA	GDX0003	D..	2	27-32-12	SM00082		W	N2	1			
697	20	PA	GDX0003	D..	2	27-32-22	SM00085		W	N2	1			
701	24	PK	D00815	49		31-51-21	D00815	22	W	N2				
702	24	PK	D00815	16		31-51-21	D00815	48	W	N2				
703	24	PK	D00819	6		31-51-41	SM00019		W	N2	1			
704	24	PK	SM00075		W	31-51-41	D04511J	14		N2	1			
705	24	PK	D00819	45		31-51-41	D04511J	12		N2	2			
706	24	PK	D00819	10		31-51-41	D04349J	31		N2	2			
707	24	PK	D00819	21		31-51-41	D04509J	4		N2	2			
708	24	PK	D00819	9		31-51-41	D04349J	7		N2	2			
709	24	PK	D00819	39		31-51-41	SM00044		W	N2	1			
710	24	PK	D00819	43		31-51-41	SM00037		W	N2	1			
711	24	PK	D00819	12		31-51-41	D04349J	21		N2	2			
712	24	PK	D00819	53		31-51-41	D04349J	3		N2	2			
713	24	PK	D00819	20		31-51-41	D04347J	9		N2	2			
714	24	PK	D00819	44		31-51-41	D04349J	24		N2	2			
715	24	PK	D04507J	6		31-51-42	SM00019		W	N2	1			
716	24	PK	D01433	34		31-51-42	SM00019		W	N2	1			
717	24	PK	D01433	37		31-51-42	SM00034		W	N2	1			
718	24	PK	D01433	39		31-51-42	D04509J	2		N2	2			
720	24	PK	D01433	52		31-51-42	SM00040		W	N2	1			
721	24	PK	D01433	38		31-51-42	D04347J	24		N2	2			
722	24	PK	D01433	5		31-51-42	D04349J	22		N2	2			
723	24	PK	D04511J	11		31-51-42	SM00038		W	N2	1			
724	24	PK	D01433	40		31-51-42	SM00038		W	N2	1			
725	24	PK	D01433	3		31-51-42	D04347J	13		N2	2			

286T0045-314
Wire Bundle Assembly
Figure 116 (Sheet 15)

25-71-02

WIRE			FROM EQUIPMENT			TO EQUIPMENT			WIRE INFO				
NUMBER	GA	TYP	NUMBER	TERM	TT	WDM REF	NUMBER	TERM	TT	EMC/SEP	FT	NOTES	EFFECTIVITY
726	22	PA	D04347J	14		31-51-21	SM00036		W	N2	1		
727	22	PA	D04301J	11		31-51-21	SM00035		W	N2	1		
728	24	PK	D04347J	1		31-51-41	D00819	35		N2	2		
729	24	PK	D04347J	2		31-51-41	D00819	1		N2	2		
730	24	PK	D04347J	3		31-51-41	D00819	36		N2	2		
731	24	PK	D04347J	4		31-51-41	D00819	2		N2	2		
732	24	PK	D04347J	5		31-51-42	D01433	20		N2	2		
733	24	PK	D04347J	16		34-16-11	D00821	65		N2	2		
734	24	PK	D04347J	8		31-51-31	SM00046		W	N2	1		
735	24	PK	D04507J	7		34-16-11	D00821	34		N2	2		
736	24	PK	D04507J	2		34-16-11	D00821	66		N2	2		
737	24	PK	SM00041		W	34-16-11	D00821	31		N2	1		
738	24	PK	D04347J	19		34-16-11	D00821	7		N2	2		
739	24	PK	SM00075		W	34-16-11	D00821	6		N2	1		
741	24	PK	D00821	18		34-16-11	D00821	22		N2	2		
742	24	PK	D00821	50		34-16-11	D00821	48		N2	2		
746	24	PK	D04597J	10		31-51-31	SM00043		W	N2	1		
747	24	PK	D01487	46		31-51-31	SM00043		W	N2	1		
748	24	PK	D04347J	7		31-51-31	SM00045		W	N2	1		
749	24	PK	D01487	10		31-51-31	SM00045		W	N2	1		
750	24	PK	D01487	19		31-51-31	SM00046		W	N2	1		
751	24	PK	D01487	13		31-51-31	SM00040		W	N2	1		
752	24	PK	D01487	47		31-51-31	SM00044		W	N2	1		
753	24	PK	D01487	51		31-51-31	SM00041		W	N2	1		
755	24	FV	D01487	1		31-51-31	SM00035		W	N2	1		
755Z			D01487	DED		31-51-31	SM00035	DED		N2	1		
756	24	PK	D01487	50		31-51-31	SM00036		W	N2	1		
757	24	PK	D01487	11		31-51-31	SM00039		W	N2	1		
758	24	PK	D01487	22		31-51-31	D01489	23		N2	2		
759	24	PK	D01487	55		31-51-31	D01489	47		N2	2		
760	24	PK	D01487	34		31-51-31	D01489	51		N2	2		
761	24	PK	D01487	66		31-51-31	D01489	57		N2	2		

286T0045-314
Wire Bundle Assembly
Figure 116 (Sheet 16)

25-71-02



BOEING
COMPONENT
MAINTENANCE MANUAL

WIRE			FROM EQUIPMENT			TO EQUIPMENT			WIRE INFO				
NUMBER	GA	TYP	NUMBER	TERM	TT	WDM REF	NUMBER	TERM	TT	EMC/SEP	FT	NOTES	EFFECTIVITY
762	24	PK	D00817	10		31-51-32	SM00045		W	N2	1		
763	24	PK	D00817	46		31-51-32	SM00043		W	N2	1		
764	24	PV	D00817	1		31-51-32	SM00035		W	N2	1		
764Z			D00817	DED		31-51-32	SM00035	DED		N2			
765	24	PK	D00817	50		31-51-32	SM00036		W	N2	1		
766	24	PV	D00817	11		31-51-32	SM00053		W	N2	1		
766Z			D00817	DED		31-51-32	SM00053	DED		N2			
767	24	PK	D00817	19		31-51-32	SM00046		W	N2	1		
768	24	PK	D00817	13		31-51-32	SM00040		W	N2	1		
769	24	PK	D00817	47		31-51-32	SM00044		W	N2	1		
770	24	PK	D00817	51		31-51-32	SM00041		W	N2	1		
772	24	PK	D00817	22		31-51-32	D01489	54		N2	2		
773	24	PK	D00817	55		31-51-32	D01489	13		N2	2		
774	24	PK	D00817	34		31-51-32	D01489	25		N2	2		
775	24	PK	D00817	66		31-51-32	D01489	58		N2	2		
776	24	PK	D01489	42		31-51-33	D04347J	15		N2	2		
777	24	PK	D01489	8		31-51-33	D04349J	13		N2	2		
779	24	PK	D01489	35		31-51-33	D04349J	40		N2	2		
780	24	PK	D01489	53		31-51-33	D04349J	2		N2	2		
781	24	PK	D01489	31		31-51-33	D01489	48		N2			
782	24	PK	D01489	18		31-51-33	D01489	22		N2			
783	24	PK	D01489	38		31-51-33	SM00008		W	N2	1		
784	24	PK	D01489	4		31-51-33	SM00011		W	N2	1		
785	24	PK	D01489	37		31-51-33	SM00012		W	N2	1		
786	24	PK	D01489	3		31-51-33	SM00010		W	N2	1		
787	24	PK	D01489	1		31-51-33	SM00009		W	N2	1		
788	24	PK	D01489	6		31-51-33	SM00034		W	N2	1		
789	24	PK	D01489	41		31-51-33	D04509J	11		N2	2		
791	24	PK	D01489	7		31-51-33	D04509J	10		N2	2		
792	24	PK	D01489	40		31-51-33	D04509J	9		N2	2		
793	24	PK	D00819	11		31-51-41	SM00075		W	N2	1		
794	20	PA	D04303J	10		31-51-32	GDY0004	S..	2	N2	2		

286T0045-314
Wire Bundle Assembly
Figure 116 (Sheet 17)

25-71-02

WIRE			FROM EQUIPMENT			TO EQUIPMENT			WIRE INFO				
NUMBER	GA	TYP	NUMBER	TERM	TT	WDM REF	NUMBER	TERM	TT	EMC/ SEP	FT	NOTES	EFFECTIVITY
795	24	PK	D01433	9		31-51-42	D01433	48		N2			
796	24	PK	D01433	22		31-51-42	D01433	50	W	N2	1		
797	24	PV	D00815	41		31-51-21	SM00053			N2			
797Z			D00815	DED		31-51-21	SM00053	DED	W	N2			
798	24	PV	D04349J	9		31-51-21	SM00053			N2	1		
798Z			D04349J	DED		31-51-21	SM00053	DED		N2			
817	24	PK	D00823	55		27-32-12	D11553	6		N2	2		
818	24	PK	D00823	21		27-32-12	D11553	4		N2	2		
819	24	PK	D00823	51		27-32-12	D11553	3		N2	2		
820	24	PK	D00823	50		27-32-12	D11553	2		N2	2		
821	24	PK	D00823	49		27-32-12	D11553	7		N2	2		
822	24	PK	D00823	47		27-32-12	D11553	8		N2	2		
823	24	PK	D00823	46		27-32-12	D11553	9		N2	2		
824	24	PK	D00823	53		27-32-12	D11553	5		N2	2		
825	24	PK	D00823	62		27-32-12	D11553	24		N2	2		
826	24	PK	D01381	55		27-32-22	D11553	16		N2	2		
827	24	PK	D01381	21		27-32-22	D11553	14		N2	2		
828	24	PK	D01381	51		27-32-22	D11553	13		N2	2		
829	24	PK	D01381	50		27-32-22	D11553	12		N2	2		
830	24	PK	D01381	49		27-32-22	D11553	17		N2	2		
831	24	PK	D01381	47		27-32-22	D11553	18		N2	2		
832	24	PK	D01381	46		27-32-22	D11553	19		N2	2		
833	24	PK	D01381	53		27-32-22	D11553	15		N2	2		
834	24	PK	D01381	62		27-32-22	D11553	34		N2	2		
835	24	PK	D04349J	50		27-32-21	D01381	64		N2	2		
836	20	PA	D04349J	53		27-32-21	GDX0002	S..	2	N2	2		
837	24	PK	D00823	42		27-32-12	SM00082		W	N2	1		
838	24	PK	D01381	42		27-32-22	SM00085		W	N2	1		
842	22	PA	D01381	6		27-32-22	SM00085		W	N2	2	ZSZ-B6	VS471-VS472
843	22	PA	D00823	6		27-32-12	SM00082		W	N2	2	ZSZ-B6	VS471-VS472
862	22	PA	D02261	30		31-41-35	GDX0006	S..	2	N2	1		
863	22	PA	D02261	32		31-41-35	GDX0006	S..	2	N2	1		

286T0045-314
Wire Bundle Assembly
Figure 116 (Sheet 18)

25-71-02



BOEING
COMPONENT
MAINTENANCE MANUAL

WIRE			FROM EQUIPMENT			TO EQUIPMENT			WIRE INFO				
NUMBER	GA	TYP	NUMBER	TERM	TT	WDM REF	NUMBER	TERM	TT	EMC/SEP	FT	NOTES	EFFECTIVITY
864	22	PA	D02261	33		31-41-35	GDX0006	S..	2	N2	1		
865	22	PA	D02261	64		31-41-35	GDX0006	S..	2	N2	1		
866	24	PV	D02261	27		31-51-11	SM00018		W	N2	1		
866Z	24	PV	D02261	DED		31-51-11	SM00018	REF	W	N2	1		
867	24	PV	D02261	28		31-51-11	SM00047	REF	W	N2	1		
867Z	24	PV	D02261	DED		31-51-11	SM00047	REF	W	N2	1		
868	24	PV	D02261	29		31-51-12	SM00054	REF	W	N2	1		
868Z	24	PV	D02261	DED		31-51-12	SM00054	REF	W	N2	1		
869	24	PK	D02261	34		31-51-12	SM00025		W	N2	1		
870	22	PA	D02261	56		31-51-12	GDX0001	S..	2	N2	2		
871	22	PA	D02261	57		31-51-12	GDX0003	S..	2	N2	2		
872	22	PA	D02261	59		31-51-11	GDX0005	S..	2	N2	1		
873	24	PV	D02261	60		31-51-12	SM00055		W	N2	1		
873Z	24	PV	D02261	DED		31-51-12	SM00055	REF	W	N2	1		
874	24	PV	D02261	62		31-51-11	SM00049		W	N2	1		
874Z	24	PV	D02261	DED		31-51-11	SM00049	REF	W	N2	1		
875	24	PV	D02261	63		31-51-12	SM00056		W	N2	1		
875Z	24	PV	D02261	DED		31-51-12	SM00056	REF	W	N2	1		
876	24	PK	D02261	65		31-51-11	SM00022		W	N2	1		
877	24	PV	D00811	14		31-51-11	SM00018		W	N2	2		
877Z	24	PV	D00811	DED		31-51-11	SM00018	REF	W	N2	2		
878	24	PV	D00811	48		31-51-11	SM00047		W	N2	2		
878Z	24	PV	D00811	DED		31-51-11	SM00047	REF	W	N2	2		
879	24	PV	D00811	23		31-51-11	SM00049		W	N2	2		
879Z	24	PV	D00811	DED		31-51-11	SM00049	REF	W	N2	2		
880	24	PV	D00813	14		31-51-12	SM00054		W	N2	2		
880Z	24	PV	D00813	DED		31-51-12	SM00054	REF	W	N2	2		
881	24	PV	D00813	48		31-51-12	SM00055		W	N2	2		
881Z	24	PV	D00813	DED		31-51-12	SM00055	REF	W	N2	2		
882	24	PV	D00813	23		31-51-12	SM00056		W	N2	2		
882Z	24	PV	D00813	DED		31-51-12	SM00056	REF	W	N2	2		
883	22	PA	D02261	15		38-32-11	D04349J	26		N2	2		

286T0045-314
Wire Bundle Assembly
Figure 116 (Sheet 19)

25-71-02

WIRE			FROM EQUIPMENT			TO EQUIPMENT			WIRE INFO				
NUMBER	GA	TYP	NUMBER	TERM	TT	WDM REF	NUMBER	TERM	TT	EMC/SEP	FT	NOTES	EFFECTIVITY
884	22	PA	D02261	47		38-32-11	D04347J	27		N2	2		
885	24	PK	D04303J	9		31-51-21	SM00057		W	N2	1		
886	24	PK	D04507J	3		31-51-21	SM00058		W	N2	1		
887	24	PK	D04507J	1		31-51-21	SM00058		W	N2	1		
888	24	PK	SM00057		W	31-51-21	D04349J	44		N2	1		

286T0045-314
 Wire Bundle Assembly
 Figure 116 (Sheet 20)

25-71-02



BOEING
COMPONENT
MAINTENANCE MANUAL

WIRE			FROM EQUIPMENT			TO EQUIPMENT			WIRE INFO				
NUMBER	GA	TYP	NUMBER	TERM	TT	WDM REF	NUMBER	TERM	TT	EMC/SEP	FT	NOTES	EFFECTIVITY
FRA			M01103			31-51-12	M01103	GND	D	N2			
FRB			D00813			31-51-12	D00813	59	N2	N2			
FRC			M01102			31-51-11	M01102	GND	D	N2			
FRD			D00811			31-51-11	D00811	59	N2	N2			
FRG			D04349J	58		31-41-35	D04349J			N2			
FRH			D04349J			28-41-11	D04349J	61	N2	N2			
FPA1			D00815	47		99-99-99	D00815	63	N2	N2		DAW-B2	
FPA2			D00817	8		99-99-99	D00817	57	N2	N2		DAW-B2	
FPA3			D00819	41		99-99-99	D00819	55	N2	N2		DAW-B2	
FPA4			D00821	43		99-99-99	D00821	60	N2	N2		DAW-B2	
FPA5			D00823	52		99-99-99	D00823	65	N2	N2		DAW-B2	
FPA6			D01433	44		99-99-99	D01433	61	N2	N2		DAW-B2	
FPA7			D01381	52		99-99-99	D01381	65	N2	N2		DAW-B2	
FPA8			D01487	8		99-99-99	D01487	57	N2	N2		DAW-B2	
FPA9			D01489	56		99-99-99	D01489	65	N2	N2		DAW-B2	
FPA4			D02261	54		99-99-99	D02261	61	N2	N2		DAW-B2	
FPA1		SE	D11553							N2			
1	22	PA	D00811	60		31-51-11	GDX0001	S.	2	N2	3	UAE-F2	
2	22	PA	D00821	14		31-51-11	GDX0002	D.	2	N2	2		
3	24	PV	D00811	26		31-51-11	D00821	27	N2	N2	3		
003Z			D00811	ED		31-51-11	D00821			N2			
4	24	PV	D00811	49		31-51-11	D00821	32	N2	N2	3		
004Z			D00811	ED		31-51-11	D00821			N2			
5	24	PV	D00811	35		31-51-11	D00821	17	N2	N2	3		
005Z			D00811	ED		31-51-11	D00821			N2			
6	24	PK	SM00022		W					N2	1		
7	24	PK	D00811	65		31-51-11	D00821	51	N2	N2	2		
8	24	PK	D00819	37		31-51-11	SM00022		W	N2	1		
9	24	PV	D00819	27		31-51-11	SM00022		W	N2	3		
009Z			D00811	ED		31-51-11	D00811	13	N2	N2			
01A	24	PK	D04349J	43		31-51-11	D00819	49	N2	N2	2		
10	22	PA	D00819	14		31-51-33	D01489			N2	2		
11	24	PK	D01433	51		31-51-11	GDX0001	D.	2	N2	2		
						31-51-11	SM00022		W	N2	1		

286T0045-315
Wire Bundle Assembly
Figure 117 (Sheet 1)

25-71-02

WIRE			FROM EQUIPMENT			TO EQUIPMENT			WIRE INFO				
NUMBER	GA	TYP	NUMBER	TERM	TT	WDM REF	NUMBER	TERM	TT	EMC/SEP	FT	NOTES	EFFECTIVITY
12	24	PV	SM00018		W	31-51-11	D01433	27		N2	1		
012Z			SM00018	EF		31-51-11	D01433			N2			
13	24	PV	SM00047		W	31-51-11	D01433	32		N2	1		
013Z			SM00047	EF		31-51-11	D01433			N2			
14	24	PV	SM00049		W	31-51-11	D01433	17		N2	1		
014Z			SM00049	EF		31-51-11	D01433			N2			
15	22	PA	D01433	14	W	31-51-11	GDX0001	D..	2	N2	2		
16	20	PA	SM00028			31-51-11	GDX0005	D..	2	N2	2		
17	20	UA	GDX0002	-	2	31-51-11	D00821			N2	2		
18	20	UA	GDX0005	-	2	31-51-11	D00819	S..	2	N2	2		
19	20	UA	D01433			31-51-11	GDX0002			N2	2		
20	20	PA	GDX0005	-	2	31-51-11	SM00029		W	N2	2		
21	20	UA	GDX0002	-	2	31-51-11	D01503	S..	2	N2	2		
23	20	UA	D00815			31-51-11	GDX0002			N2	2		
24	24	PK	D04349J	38		31-51-11	SM00005		W	N2	1		
25	24	PK	D01503	A2		31-51-11	SM00005		W	N2	1		
26	20	PA	D01503	A3		31-51-11	GDX0003	D..	2	N2	2		
27	22	PQ	D01503	X2		31-51-11	D00811	75		N2	4		
027Z			D00811	ED		31-51-11	D01503			N2			
28	24	PV	D01503	X1		31-51-11	SM00015		W	N2	1		
028Z			SM00015	EF		31-51-11	D01503			N2	2		
29	24	PV	D00811	46		31-51-11	SM00015		W	N2	2		
029Z			SM00015	EF		31-51-11	D00811	DED		N2			
30	24	PK	SM00015		W	31-51-11	D11553	35		N2	1		
32	20	PA	D11553	11		31-51-11	GDX0003	D..	2	N2	2		
33	24	PK	D11553	37		31-51-11	D00811	34		N2	4		
34	24	PK	D11553	36		31-51-11	D00811	33		N2	4		
35	22	PA	D00815	14		31-51-11	GDX0001	D..	2	N2	2		
36	24	PV	D00815	27		31-51-11	D00811	12		N2	3		
036Z			D00811	ED		31-51-11	D00815			N2			
37	24	PV	D00815	32		31-51-11	D00811	17		N2	3		
037Z			D00811	ED		31-51-11	D00815			N2			
38	24	PV	D00815	17		31-51-11	D00811	22		N2	3		

286T0045-315

Wire Bundle Assembly
Figure 117 (Sheet 2)

25-71-02

TESTING & TROUBLE SHOOTING
01 Page 156B
Nov 01/02



BOEING
COMPONENT
MAINTENANCE MANUAL

WIRE		FROM EQUIPMENT			TO EQUIPMENT			WIRE INFO					
NUMBER	GA	TYP	NUMBER	TERM	TT	WDM REF	NUMBER	TERM	TT	EMC/SEP	FT	NOTES	EFFECTIVITY
038Z			D00811	ED		31-51-11	D00815			N2			
39	24	PK	D00815	54		31-51-11	SM00020		W	N2	1		
40	24	PK	D00811	63		31-51-11	SM00020		W	N2	2		
41	24	PK	D00823	35		31-51-11	SM00020		W	N2	1		
42	24	PK	D01381	35		31-51-11	SM00020		W	N2	1		
45	22	PA	D01381	14		31-51-11	GDX0001	D..	2	N2	2		
46	22	PA	D01381	48		31-51-11	GDX0003	D..	2	N2	2		
47	24	PV	D01381	27		31-51-11	D00811	11		N2	3		
047Z			D00811	ED		31-51-11	D01381			N2			
48	24	PV	D01381	32		31-51-11	D00811	16		N2	3		
048Z			D00811	ED		31-51-11	D01381			N2			
49	24	PV	D01381	17		31-51-11	D00811	21		N2	3		
049Z			D00811	ED		31-51-11	D01381			N2			
52	22	PA	D00823	14		31-51-11	GDX0001	D..	2	N2	2		
53	22	PA	D00823	48		31-51-11	GDX0003	D..	2	N2	2		
54	24	PV	D00823	27		31-51-11	D00811	10		N2	3		
054Z			D00811	ED		31-51-11	D00823			N2			
55	24	PV	D00823	32		31-51-11	D00811	15		N2	3		
055Z			D00811	ED		31-51-11	D00823			N2			
56	24	PV	D00823	17		31-51-11	D00811	20		N2	3		
056Z			D00811	ED		31-51-11	D00823			N2			
57	22	PA	D00817	14		31-51-11	GDX0002	D..	2	N2	2		
58	24	PV	D00817	27		31-51-11	D00811	51		N2	3		
058Z			D00811	ED		31-51-11	D00817			N2			
59	24	PV	D00817	32		31-51-11	D00811	74		N2	3		
059Z			D00811	ED		31-51-11	D00817			N2			
60	24	PK	D00817	45		31-51-11	SM00021		W	N2	1		
61	24	PK	D00811	64		31-51-11	SM00021		W	N2	2		
62	24	PK	D01489	16		31-51-11	SM00021		W	N2	1		
63	24	PK	D01487	45		31-51-11	SM00021		W	N2	1		
64	24	PV	D01487	27		31-51-11	D00811	47		N2	3		
064Z			D00811	ED		31-51-11	D01487			N2			
65	24	PV	D01487	32		31-51-11	D00811	70		N2	3		

286T0045-315
Wire Bundle Assembly
Figure 117 (Sheet 3)

25-71-02

WIRE		FROM EQUIPMENT			TO EQUIPMENT			WIRE INFO					
NUMBER	GA	TYP	NUMBER	TERM	TT	WDM REF	NUMBER	TERM	TT	EMC/SEP	FT	NOTES	EFFECTIVITY
065Z			D00811	ED		31-51-11	D01487			N2	2		
66	22	PA	D01487	14		31-51-11	GDX0003	D..	2	N2	2		
67	24	PV	D01489	27		31-51-11	D00811	45		N2	3		
067Z			D00811	ED		31-51-11	D01489			N2			
68	24	PV	D01489	32		31-51-11	D00811	50		N2	3		
068Z			D00811	ED		31-51-11	D01489			N2			
69	24	PV	D01489	17		31-51-11	D00811	36		N2	3		
069Z			D00811	ED		31-51-11	D01489			N2			
70	22	PA	D01489	14		31-51-11	GDX0003	D..	2	N2	2		
71	20	UA	D01381			31-51-11	GDX0002	S..	2	N2	2		
72	20	UA	D00823			31-51-11	GDX0002	S..	2	N2	2		
73	20	UA	D00817			31-51-11	GDX0002	S..	2	N2	2		
74	20	PA	SM00026		W	31-51-11	GDX0005	D..	2	N2	2		
75	20	UA	D01487			31-51-11	GDX0005	S..	2	N2	2		
76	20	UA	GDX0005		2	31-51-11	D01489			N2	2		
77	24	PK	D02261	40		31-41-35	D04349J	1		N2	2		
78	20	PA	SM00027		W	31-51-11	GDX0005	D..	2	N2	2		
79	22	PA	D00813	60		31-51-12	GDX0003	S..	2	N2	3		
80	22	PA	D00821	15		31-51-12	GDX0002	D..	2	N2	2		
81	24	PV	D00821	30		31-51-12	D00813	26		N2	3		
081Z			D00813	ED		31-51-12	D00821			N2			
82	24	PV	D00821	33		31-51-12	D00813	49		N2	3		
082Z			D00813	ED		31-51-12	D00821			N2			
83	24	PV	D00821	24		31-51-12	D00813	35		N2	3		
083Z			D00813	ED		31-51-12	D00821			N2			
84	24	PK	D00821	19		31-51-12	SM00025		W	N2	1		
85	24	PK	D00813	65		31-51-12	SM00025		W	N2	2		
86	24	PK	D00819	3		31-51-12	SM00025		W	N2	1		
87	24	PK	D01433	18		31-51-12	SM00025		W	N2	1		
88	22	PA	D01433	15		31-51-12	GDX0002	D..	2	N2	2		
89	24	PV	D01433	30		31-51-12	SM00054		W	N2	1		
089Z			SM00054	EF		31-51-12	D01433			N2			
90	24	PV	D01433	33		31-51-12	SM00055		W	N2	1		

286T0045-315

Wire Bundle Assembly
Figure 117 (Sheet 4)

25-71-02

TESTING & TROUBLE SHOOTING
01 Page 156D
Nov 01/02



BOEING
COMPONENT
MAINTENANCE MANUAL

WIRE			FROM EQUIPMENT			TO EQUIPMENT			WIRE INFO				
NUMBER	GA	TYP	NUMBER	TERM	TT	WDM REF	NUMBER	TERM	TT	EMC / SEP	FT	NOTES	EFFECTIVITY
090Z			SM00055	EF		31-51-12	D01433			N2	1		
91	24	PV	D01433	24		31-51-12	SM00056		W	N2			
091Z			SM00056	EF		31-51-12	D01433			N2			
92	22	PA	D00819	15		31-51-12	GDX0002	D.	2	N2	2		
93	24	PV	D00819	30		31-51-12	D00813	13		N2	3		
093Z			D00813	ED		31-51-12	D00819			N2			
94	20	PA	SM00032		W	31-51-12	GDX0005	D.	2	N2			
95	24	PV	D01505	X2		31-51-12	D00813	75		N2	3		
095Z			D00813	ED		31-51-12	D01505			N2			
96	24	PV	D01505	X1		31-51-12	SM00016		W	N2	1		
096Z			SM00016	EF		31-51-12	D01505			N2			
97	24	PV	D00813	46		31-51-12	SM00016		W	N2	2		
097Z			SM00016	EF		31-51-12	D00813	DED		N2			
98	20	PA	SM00033		W	31-51-12	GDX0005	D.	2	N2	1		
99	24	PK	SM00016		W	31-51-12	D11553	25		N2			
10A	24	PK	D01489	21		31-51-33	D04349J	23		N2	2		
100	20	PA	D11553	1		31-51-12	GDX0003	D.	2	N2	2		
101	20	UA	D00821			31-51-12	GDX0004	S.	2	N2	2		
102	20	UA	D00819			31-51-12	GDX0004	S.	2	N2	2		
103	20	UA	D01433			31-51-12	GDX0004	S.	2	N2	2		
104	20	UA	D01505			31-51-12	GDX0005	S.	2	N2	2		
106	20	UA	D00815			31-51-12	GDX0004	S.	2	N2	2		
107	20	UA	D01381			31-51-12	GDX0004	S.	2	N2	2		
109	20	UA	D00817			31-51-12	GDX0004	S.	2	N2	2		
110	20	UA	D01487			31-51-12	GDX0001	S.	2	N2	2		
111	20	UA	D01489			31-51-12	GDX0001	S.	2	N2	2		
112	22	PA	D00815	15		31-51-12	GDX0001	D.	2	N2	2		
113	24	PK	D01505	A2		31-51-12	SM00005		W	N2	1		
114	20	PA	D01505	A3		31-51-12	GDX0003	D.	2	N2	2		
115	24	PK	D02261	21		21-61-51	D04347J	25		N2	2		
116	24	PK	D00815	21		31-51-12	SM00023		W	N2	1		
117	24	PK	D00813	63		31-51-12	SM00023		W	N2	2		
118	24	PK	D00823	1		31-51-12	SM00023		W	N2	1		

286T0045-315
Wire Bundle Assembly
Figure 117 (Sheet 5)

25-71-02

WIRE			FROM EQUIPMENT			TO EQUIPMENT			WIRE INFO				
NUMBER	GA	TYP	NUMBER	TERM	TT	WDM REF	NUMBER	TERM	TT	EMC/SEP	FT	NOTES	EFFECTIVITY
119	24	PK	D01381	1		31-51-12	SM00023	W		N2	1		
120	22	PA	D01381	15		31-51-12	GDX0001	D..		N2	2		
121	24	PK	D00817	56		31-51-12	SM00024	W		N2	1		
122	24	PK	D00813	64		31-51-12	SM00024	W		N2	2		
123	24	PK	D01487	56		31-51-12	SM00024	W		N2	1		
124	22	PA	D00823	15		31-51-12	GDX0001	D..		N2	2		
125	20	UA	D00823			31-51-12	GDX0004	S..		N2	2		
126	24	PV	D00823	33		31-51-12	D00813	15		N2	3		
126Z			D00823			31-51-12	D00813	DED		N2			
127	24	PV	D00823	24		31-51-12	D00813	20		N2	3		
127Z			D00823			31-51-12	D00813	DED		N2			
128	22	PA	D00817	15		31-51-12	GDX0002	D..		N2	2		
129	24	PV	D00817	30		31-51-12	D00813	51		N2	3		
129Z			D00817			31-51-12	D00813	DED		N2			
130	24	PV	D00817	33		31-51-12	D00813	74		N2	3		
130Z			D00817			31-51-12	D00813	DED		N2			
131	24	PV	D00813	11		31-51-12	D01381	30		N2	3		
131Z			D01381			31-51-12	D00813	DED		N2			
132	24	PV	D00813	16		31-51-12	D01381	33		N2	3		
132Z			D01381			31-51-12	D00813	DED		N2			
133	24	PV	D01381	24		31-51-12	D00813	21		N2	3		
133Z			D01381			31-51-12	D00813	DED		N2			
134	24	PK	D01489	50		31-51-12	SM00024	W		N2	1		
135	24	PV	D01487	30		31-51-12	D00813	47		N2	3		
135Z			D01487			31-51-12	D00813	DED		N2			
136	24	PV	D01487	33		31-51-12	D00813	70		N2	3		
136Z			D01487			31-51-12	D00813	DED		N2			
137	22	PA	D01487	15		31-51-12	D00813	DED		N2	2		
138	24	PV	D01489	30		31-51-12	GDX0003	D..		N2	3		
138Z			D01489			31-51-12	D00813	45		N2	3		
139	24	PV	D01489	33		31-51-12	D00813	50		N2	3		
139Z			D01489			31-51-12	D00813	DED		N2			
140	24	PV	D01489	24		31-51-12	D00813	36		N2	3		

286T0045-315
Wire Bundle Assembly
Figure 117 (Sheet 6)

25-71-02



BOEING
COMPONENT
MAINTENANCE MANUAL

WIRE		FROM EQUIPMENT			TO EQUIPMENT			WIRE INFO					
NUMBER	GA	TYP	NUMBER	TERM	TT	WDM REF	NUMBER	TERM	TT	EMC/SEP	FT	NOTES	EFFECTIVITY
140Z			D01489			31-51-12	D00813	DED		N2			
141	22	PA	D01489	15		31-51-12	GDX0003	D..	2	N2	2		
142	24	PK	D00813	33		31-51-12	D11553	26		N2	3		
143	24	PK	D11553	27		31-51-12	D00813	34		N2	3		
144	24	PV	D00813	12		31-51-12	D00815	30		N2	3		
144Z			D00813	ED		31-51-12	D00815			N2			
145	20	PA	SM00030		W	31-51-12	GDX0005	D..	2	N2			
146	24	PV	D00813	17		31-51-12	D00815	33		N2	3		
146Z			D00813	ED		31-51-12	D00815			N2			
147	24	PV	D00813	22		31-51-12	D00815	24		N2	3		
147Z			D00813	ED		31-51-12	D00815			N2			
148	24	PV	D00813	10		31-51-12	D00823	30		N2	3		
148Z			D00813	ED		31-51-12	D00823			N2			
149	20	PA	SM00031		W	31-51-12	GDX0005	D..	2	N2			
150	22	PA	D04301J	6		27-32-11	D00823	34		N2	2		
151	24	PK	D04509J	1		27-32-11	D00823	39		N2	2		
152	24	PK	D04347J	26		27-32-11	D00823	40		N2	2		
153	24	PK	D00823	31		27-32-11	D04509J	6		N2	2		
154	20	PA	D04509J	7		27-32-11	GDX0001	D..	2	N2	2		
155	24	PK	SM00037		W	27-32-11	D04511J	3		N2	1		
156	24	PK	D00823	38		27-32-11	D04511J	2		N2	2		
157	24	PK	D04511J	4		27-32-11	SM00050		W	N2	1		
158	24	PK	SM00037		W	27-32-11	D00823	4		N2	1		
159	24	PK	D04349J	14		27-32-11	D00823	36		N2	1		
160	24	PK	D04349J	15		27-32-11	D00823	3		N2	1		
161	24	PK	D04349J	16		27-32-11	D00823	43		N2	1		
162	24	PK	D04349J	10		27-32-11	D00823	2		N2	1		
165	22	PA	D04349J	11		27-32-21	D01381	34		N2	2		
166	24	PK	D01381	40		27-32-21	D04349J	6		N2	2		
167	24	PK	D01381	31		27-32-21	D04511J	7		N2	2		
168	20	PA	GDX0002	..	2	27-32-21	D04511J	8		N2	2		
169	24	PK	D04349J	34		27-32-21	D01381	36		N2	2		
170	24	PK	D04349J	35		27-32-21	D01381	3		N2	2		

286T0045-315
Wire Bundle Assembly
Figure 117 (Sheet 7)

25-71-02

WIRE			FROM EQUIPMENT			TO EQUIPMENT			WIRE INFO				
NUMBER	GA	TYP	NUMBER	TERM	TT	WDM REF	NUMBER	TERM	TT	EMC/SEP	FT	NOTES	EFFECTIVITY
171	24	PK	D04349J	36		27-32-21	D01381	43		N2	2		
172	24	PK	D04349J	37		27-32-21	D01381	2		N2	2		
173	24	PK	D04511J	13		27-32-21	D01381	4		N2	2		
174	24	PK	D04511J	16		27-32-21	D01381	37		N2	2		
175	24	PK	D04511J	15		27-32-21	D01381	38		N2	2		
176	24	PK	D04509J	8		27-32-21	D01381	39		N2	2		
177	24	PK	D00815	34		31-51-21	SM00057		W	N2	1		
178	24	PK	D00815	43		31-51-21	D01433	19		N2	2		
179	24	PK	D00815	10		31-51-21	D00819	5		N2	2		
180	24	PK	D04507J	5		31-51-21	SM00034		W	N2	1		
181	24	PK	SM00058		W	31-51-21	D00815	66		N2	1		
182	24	PK	D00815	4		31-51-21	SM00034		W	N2	1		
183	24	PK	D00815	11		31-51-21	D04349J	39		N2	2		
184	22	PA	D00815	37		31-51-21	SM00035		W	N2	1		
185	22	PA	D00815	42		31-51-21	SM00036		W	N2	1		
186	24	PK	D04349J	5		31-51-21	SM00012		W	N2	1		
187	24	PK	D00815	2		31-51-21	SM00012		W	N2	1		
188	24	PK	SM00011		W	31-51-21	D04349J	4		N2	1		
189	24	PK	SM00011		W	31-51-21	D00815	35		N2	1		
190	24	PK	D04349J	12		31-51-21	SM00009		W	N2	1		
191	24	PK	D00815	44		31-51-21	SM00009		W	N2	1		
192	24	PK	D04347J	10		31-51-21	SM00008		W	N2	1		
193	24	PK	D00815	1		31-51-21	SM00008		W	N2	1		
194	24	PK	D04347J	11		31-51-21	SM00010		W	N2	1		
195	24	PK	D00815	36		31-51-21	SM00010		W	N2	1		
196	24	PK	SM00039		W	31-51-21	D04347J	21		N2	1		
197	24	PK	D00815	45		31-51-21	SM00039		W	N2	1		
198	24	PK	D00815	46		31-51-21	D04347J	6		N2	2		
199	20	PA	GDX0004		2	31-51-31	D04597J	14		N2	2		
201B	24	PW	D01489	43		31-51-33	SM00004		W	N2	1		
201R	24	PW	D01489	9		31-51-33	SM00003		W	N2			
201Z	20	UA	D01489	ED		31-51-33	SM00003	REF		N2			
204	20	UA	D04507J			27-32-11	GDX0004	S.	2	N2	2		

286T0045-315
Wire Bundle Assembly
Figure 117 (Sheet 8)

25-71-02



BOEING
COMPONENT
MAINTENANCE MANUAL

WIRE		FROM EQUIPMENT			TO EQUIPMENT			WIRE INFO					
NUMBER	GA	TYP	NUMBER	TERM	TT	WDM REF	NUMBER	TERM	TT	EMC/SEP	FT	NOTES	EFFECTIVITY
204B	24	PW	D00823	18		27-32-11	D04507J	12		N2	1		
204R	24	PW	D00823	16		27-32-11	D04507J	11		N2			
204Z	24	PW	D04507J			27-32-11	D00823	DED		N2			
205B	24	PW	D00815	19		31-51-21	SM00007		W	N2	1		
205R	24	PW	D00815	52		31-51-21	SM00006		W	N2			
205Z	24	UA	D00815	ED		31-51-21	SM00006	REF		N2			
207	20	UA	D04597J			31-51-21	GDX0004	S..	2	N2	2		
207B	24	PW	SM00007		W	31-51-21	D04597J	4		N2	1		
207R	24	PW	SM00006		W	31-51-21	D04597J	3		N2			
207Z	24	PW	SM00006	EF		31-51-21	D04597J			N2			
208	20	UA	D04301J			34-16-11	GDX0002	S..	2	N2	2		
208B	24	PW	D00821	36		34-16-11	D04301J	9		N2	2		
208R	24	PW	D00821	2		34-16-11	D04301J	8		N2			
208Z	24	PW	D00821	ED		34-16-11	D04301J			N2			
209B	24	PW	D01489	46		31-51-33	SM00007		W	N2	1		
209R	24	PW	D01489	12		31-51-33	SM00006		W	N2			
209Z	24	PW	D01489	ED		31-51-33	SM00006	REF		N2			
212B	24	PW	D01433	36		31-51-42	SM00007		W	N2	1		
212R	24	PW	D01433	2		31-51-42	SM00006		W	N2			
212Z	24	PW	D01433	ED		31-51-42	SM00006	REF		N2			
213	20	UA	D04507J			34-16-11	GDX0004	S..	2	N2	2		
213B	24	PW	D00821	35		34-16-11	D04507J	8		N2	2		
213R	24	PW	D00821	1		34-16-11	D04507J	9		N2			
213Z	24	PW	D00821	ED		34-16-11	D04507J			N2			
214	20	UA	D04349J			34-16-11	GDX0004	S..	2	N2	2		
214B	24	PW	D00821	37		34-16-11	D04349J	19		N2	2		
214R	24	PW	D00821	3		34-16-11	D04349J	18		N2			
214Z	24	PW	D00821	ED		34-16-11	D04349J			N2			
215B	24	PL	D01487	24		31-51-31	D04597J	12		N2	2		
215R	24	PL	D01487	23		31-51-31	D04597J	13		N2			
216B	24	PL	D00817	24		31-51-32	D04303J	12		N2	2		
216R	24	PL	D00817	23		31-51-32	D04303J	11		N2			
221B	24	PW	D01489	45		31-51-33	SM00004		W	N2	1		

286T0045-315
Wire Bundle Assembly
Figure 117 (Sheet 9)

25-71-02

WIRE			FROM EQUIPMENT			TO EQUIPMENT			WIRE INFO					
NUMBER	GA	TYP	NUMBER	TERM	TT	WDM	REF	NUMBER	TERM	TT	EMC/SEP	FT	NOTES	EFFECTIVITY
221R	24	PW	D01489	11		31-51-33		SM00003		W	N2			
221Z			D01489	ED		31-51-33		SM00003	REF		N2	1		
223B	24	PW	D00821	38		34-16-11		SM00004		W	N2			
223R	24	PW	D00821	4		34-16-11		SM00003		W	N2			
223Z			D00821	ED		34-16-11		SM00003	REF		N2	2		
224	20	UA	D04349J			27-32-21		GDX0004	S.	2	N2	2		
224B	24	PW	D04349J	28		27-32-21		D01381	18		N2	2		
224R	24	PW	D04349J	27		27-32-21		D01381	16		N2	2		
224Z			D04349J			27-32-21		D01381	DED		N2			
225B	22	PR	D00811	69		31-51-11		SM00060		W	N2	2		
225R	22	PR	D00811	68		31-51-11		SM00060		W	N2			
225Z			D00811	ED		31-51-11		SM00028	REF		N2	2		
226B	22	PR	D00813	69		31-51-12		SM00061		W	N2	2		
226R	22	PR	D00813	68		31-51-12		SM00061		W	N2			
226Z			D00813	ED		31-51-12		SM00061	DED		N2	2		
230	20	UA	D04347J	18		31-51-33		GDX0003	S.	2	N2	2		
230B	24	PW	D04347J			31-51-33		SM00004		W	N2	1		
230R	24	PW	D04347J	17		31-51-33		SM00003		W	N2			
230Z			D04347J			31-51-33		SM00003	REF		N2	2		
236	20	UA	D04347J			27-32-11		GDX0001	S.	2	N2	2		
236B	24	PW	D04347J	37		27-32-11		D00823	54		N2	2		
236R	24	PW	D04347J	36		27-32-11		D00823	23		N2	2		
236Z			D04347J			27-32-11		D00823	DED		N2			
237B	24	PW	D04347J	40		27-32-11		D00823	13		N2	2		
237R	24	PW	D04347J	39		27-32-11		D00823	12		N2	2		
237Z			D04347J			27-32-11		D00823	DED		N2			
238	20	UA	D04349J			27-32-21		GDX0001	S.	2	N2	2		
238B	24	PW	D04349J	49		27-32-21		D01381	54		N2	2		
238R	24	PW	D04349J	48		27-32-21		D01381	23		N2	2		
238Z			D04349J			27-32-21		D01381	DED		N2			
239B	24	PW	D01381	20		27-32-21		D04349J	55		N2	2		
239R	24	PW	D01381	19		27-32-21		D04349J	54		N2	2		
239Z			D01381	ED		27-32-21		D04349J			N2			

286T0045-315
Wire Bundle Assembly
Figure 117 (Sheet 10)

25-71-02



BOEING
COMPONENT
MAINTENANCE MANUAL

WIRE		FROM EQUIPMENT			TO EQUIPMENT			WIRE INFO					
NUMBER	GA	TYP	NUMBER	TERM	TT	WDM REF	NUMBER	TERM	TT	EMC/SEP	FT	NOTES	EFFECTIVITY
240B	24	PL	D04347J	23		31-51-31	SM00080		W	N2	1		
240R	24	PL	D04347J	22		31-51-31	SM00042		W	N2	1		
241B	24	PL	D01487	60		31-51-31	SM00080		W	N2	1		
241R	24	PL	D01487	28		31-51-31	SM00042		W	N2	1		
242B	24	PL	D00817	60		31-51-32	SM00080		W	N2	1		
242R	24	PL	D00817	28		31-51-32	SM00042		W	N2	2		
243B	24	PW	D04349J	52		27-32-21	D01381	13		N2	2		
243R	24	PW	D04349J	51		27-32-21	D01381	12		N2	2		
243Z	24		D04349J			27-32-21	D01381	DED		N2	2		
245B	24	PW	D00823	20		27-32-11	D04347J	48		N2	2		
245R	24	PW	D00823	19		27-32-11	D04347J	47		N2	2		
245Z	24		D00823	ED		27-32-11	D04347J			N2	2		
247	20	UA	D04349J			31-41-35	GDX0006	S.	2	N2	2		
247B	24	PW	D02261	42		31-41-35	D04349J	57		N2	2		
247R	24	PW	D02261	43		31-41-35	D04349J	56		N2	2		
247Z	24		D02261	ED		31-41-35	D04349J			N2	2		
248	20	UA	D04349J			28-41-11	GDX0006	S.	2	N2	2		
248B	24	PW	D02261	5		28-41-11	D04349J	60		N2	2		
248R	24	PW	D02261	8		28-41-11	D04349J	59		N2	2		
248Z	24		D02261	ED		28-41-11	D04349J			N2	2		
271B	24	PL	D04597J	5		31-51-31	SM00088		W	N2	1		
271R	24	PL	D04597J	2		31-51-31	SM00087		W	N2	1		
272B	24	PL	D01487	63		31-51-31	SM00088		W	N2	1		
272R	24	PL	D01487	62		31-51-31	SM00087		W	N2	1		
273B	24	PL	D00817	63		31-51-32	SM00088		W	N2	1		
273R	24	PL	D00817	62		31-51-32	SM00087		W	N2	1		
290B	24	PW	D04597J	8		34-43-15	SM00104		W	N2	1		
290R	24	PW	D04597J	7		34-43-15	SM00103		W	N2	1		
290Z	24		D04597J	9		34-43-15	SM00103	REF		N2	1		
291B	24	PW	D04303J	5		34-43-15	SM00104		W	N2	1		
291R	24	PW	D04303J	4		34-43-15	SM00103		W	N2	1		
291Z	24		D04303J	6		34-43-15	SM00103	REF		N2	1		
292B	24	PW	D04347J	53		34-43-15	SM00104		W	N2	1		

286T0045-315
Wire Bundle Assembly
Figure 117 (Sheet 11)

25-71-02

WIRE			FROM EQUIPMENT			TO EQUIPMENT			WIRE INFO				
NUMBER	GA	TYP	NUMBER	TERM	TT	WDM REF	NUMBER	TERM	TT	EMC/SEP	FT	NOTES	EFFECTIVITY
292R	24	PW	D04347J	51		34-43-15	SM00103		W	N2			
292Z			D04347J	61		34-43-15	SM00103	REF		N2			
301	20	UA	SM00028	EF		31-51-11	GDX0005	S.	2	N2	1		
301B	22	PS	D00811	57		31-51-11	SM00028		W	N2	2		
301R	22	PS	D00811	38		31-51-11	SM00028		W	N2			
301Y	22	PS	D00811	58		31-51-11	SM00028		W	N2			
301Z	22	PS	D00811	ED		31-51-11	SM00028	REF		N2			
302B	22	PS	D00811	42		31-51-11	SM00029		W	N2	2		
302R	22	PS	D00811	41		31-51-11	SM00029		W	N2			
302Y	22	PS	D00811	43		31-51-11	SM00029		W	N2			
302Z	22	PS	D00811	ED		31-51-11	SM00028	REF		N2			
303B	22	PS	D00811	8		31-51-11	SM00026		W	N2	2		
303R	22	PS	D00811	7		31-51-11	SM00026		W	N2			
303Y	22	PS	D00811	9		31-51-11	SM00026		W	N2			
303Z	22	PS	D00811	ED		31-51-11	SM00028	REF		N2			
304B	22	PS	D00811	25		31-51-11	SM00027		W	N2	2		
304R	22	PS	D00811	24		31-51-11	SM00027		W	N2			
304Y	22	PS	D00811	37		31-51-11	SM00027		W	N2			
304Z	22	PS	D00811	ED		31-51-11	SM00028	REF		N2			
305	20	UA	SM00033	EF		31-51-12	GDX0005	S.	2	N2	1		
305B	22	PS	D00813	8		31-51-12	SM00030		W	N2	2		
305R	22	PS	D00813	7		31-51-12	SM00030		W	N2			
305Y	22	PS	D00813	9		31-51-12	SM00030		W	N2			
305Z	22	PS	D00813	ED		31-51-12	SM00030	DED		N2			
306B	22	PS	D00813	25		31-51-12	SM00031		W	N2	2		
306R	22	PS	D00813	24		31-51-12	SM00031		W	N2			
306Y	22	PS	D00813	37		31-51-12	SM00031		W	N2			
306Z	22	PS	D00813	ED		31-51-12	SM00031	DED		N2			
307B	22	PS	D00813	57		31-51-12	SM00032		W	N2	2		
307R	22	PS	D00813	38		31-51-12	SM00032		W	N2			
307Y	22	PS	D00813	58		31-51-12	SM00032		W	N2			
307Z	22	PS	D00813	ED		31-51-12	SM00032	DED		N2			
308B	22	PS	D00813	42		31-51-12	SM00033		W	N2	2		

286T0045-315
Wire Bundle Assembly
Figure 117 (Sheet 12)

25-71-02



BOEING
COMPONENT
MAINTENANCE MANUAL

WIRE		FROM EQUIPMENT			TO EQUIPMENT			WIRE INFO					
NUMBER	GA	TYP	NUMBER	TERM	TT	WDM REF	NUMBER	TERM	TT	EMC/SEP	FT	NOTES	EFFECTIVITY
308R	22	PS	D00813	41		31-51-12	SM00033		W	N2			
308Y	22	PS	D00813	43		31-51-12	SM00033		W	N2			
308Z	24	PK	D00813	ED		31-51-12	SM00033	REF		N2	2		
512	24	PK	D02261	20	W	27-81-31	D04349J	8		N2			
601	20	PA	SM00060			31-51-11	GDX0004	D.	2	N2			
602	20	PA	SM00061		W	31-51-12	GDX0005	D.	2	N2			
603	24	PV	D04301J	5		31-51-12	M01103	INE	D	N2	1		
603Z	24	PV	D04301J	ED		31-51-12	M01103			N2			
604	24	PV	D04301J	4		31-51-12	D00813	4		N2	3		
604Z	24	PV	D04301J	ED		31-51-12	D00813			N2			
605	24	PV	D00813	1		31-51-12	M01103	OAD	D	N2	3		
605Z	24	PV	D00813			31-51-12	M01103	DED		N2			
606	24	PV	D04349J	32		31-51-11	M01102	INE	D	N2	1		
606Z	24	PV	D04349J	ED		31-51-11	M01102			N2			
607	24	PV	D04349J	33		31-51-11	D00811	4		N2	3		
607Z	24	PV	D04349J	ED		31-51-11	D00811			N2			
608	24	PV	D00811	1		31-51-11	M01102	OAD	D	N2	3		
608Z	24	PV	D00811			31-51-11	M01102	DED		N2			
610	24	PK	D00823	37		27-32-11	SM00050		W	N2	1		
611	24	PK	D01433	6		31-51-42	D04347J	20		N2	2		
612	24	PK	D01433	4		31-51-42	SM00050		W	N2	1		
613	24	PK	D04349J	30		31-51-31	SM00065		W	N2	1		
614	24	PK	D01487	52		31-51-31	SM00065		W	N2	1		
615	24	PK	D00817	52		31-51-32	SM00065		W	N2	1		
617	24	PK	D01381	11		27-32-12	D00823	56		N2	1		
618	24	PK	D01381	56		27-32-12	D00823	11		N2	1		
619	24	PK	D00823	45		27-32-12	SM00082		W	N2	1		
620	24	PK	D04349J	29		31-51-21	SM00071		W	N2	1		
621	24	PK	D00815	7		31-51-21	SM00071		W	N2	1		
622	24	PK	D01489	2		31-51-33	SM00071		W	N2	1		
623	24	PK	D01489	36		31-51-33	SM00038		W	N2	1		
624	24	PK	D00815	8		31-51-21	SM00045		W	N2	1		
625	24	PK	D01487	9		31-51-31	SM00034		W	N2	1		

286T0045-315
Wire Bundle Assembly
Figure 117 (Sheet 13)

25-71-02

WIRE		FROM EQUIPMENT			TO EQUIPMENT			WIRE INFO					
NUMBER	GA	TYP	NUMBER	TERM	TT	WDM REF	NUMBER	TERM	TT	EMC/SEP	FT	NOTES	EFFECTIVITY
628	22	PA	D01487	20		31-51-31	GDX0006	D.	2	N2	2		
629	22	PA	D01487	53		31-51-31	GDX0006	D.	2	N2	2		
630	22	PA	D01487	21		31-51-31	GDX0006	D.	2	N2	2		
631	24	PK	D00817	9		31-51-32	SM00034		W	N2	1		
634	22	PA	D00817	20		31-51-32	GDX0006	D.	2	N2	2		
635	22	PA	D00817	53		31-51-32	GDX0006	D.	2	N2	2		
636	22	PA	D00817	21		31-51-32	GDX0006	D.	2	N2	2		
641	24	PK	D04507J	7		34-16-11	SM00048		W	N2	1		
642	24	PK	D00821	34		34-16-11	SM00048		W	N2	1		
643	24	PK	D00821	66		34-16-11	SM00048		W	N2	1		
644	22	PQ	D00823	66		27-32-31	D04347J	42		N2	2		
644Z			D00823	ED		27-32-31	D04347J	DED		N2	2		
646	22	PQ	D01381	66		27-32-31	D04349J	42		N2	2		
646Z			D01381	ED		27-32-31	D04349J	DED		N2	2		
648	24	PK	D04347J	32		34-16-11	D00821	40		N2	2		
649	24	PK	D04347J	33		34-16-11	SM00038		W	N2	1		
681	24	PK	D01433	10		31-51-43	D04507J	10		N2	2		
682	24	PK	D01433	13		31-51-43	D04347J	46		N2	2		
683	22	PA	D01433	41		31-51-43	SM00081		W	N2	1		
684	20	PA	GDX0001		2	31-51-43	D04349J	47		N2	2		
685	24	PK	D00823	58		27-32-12	D01505	A1		N2	2		
686	24	PK	D00823	8		27-32-11	SM00038		W	N2	1		
687	24	PK	D00823	64		27-32-11	SM00081		W	N2	1		
688	24	PK	D01381	58		27-32-22	D01503	A1		N2	2		
689	24	PK	D01381	45		27-32-22	SM00085		W	N2	1		
692	24	PK	D01381	8		27-32-21	SM00038		W	N2	1		
693	24	PK	D04347J	30		31-51-21	D00815	6		N2	2		
694	22	PA	D04349J	46		31-51-43	SM00081		W	N2	1		
696	20	PA	GDX0003		2	27-32-12	SM00082		W	N2	1		
697	20	PA	GDX0003		2	27-32-22	SM00085		W	N2	1		
701	24	PK	D00815	49		31-51-21	D00815	22		N2	2		
702	24	PK	D00815	16		31-51-21	D00815	48		N2	2		
703	24	PK	D00819	6		31-51-41	SM00019		W	N2	1		

286T0045-315
Wire Bundle Assembly
Figure 117 (Sheet 14)

25-71-02



BOEING
COMPONENT
MAINTENANCE MANUAL

WIRE			FROM EQUIPMENT			TO EQUIPMENT			WIRE INFO				
NUMBER	GA	TYP	NUMBER	TERM	TT	WDM REF	NUMBER	TERM	TT	EMC/SEP	FT	NOTES	EFFECTIVITY
704	24	PK	SM00075		W	31-51-41	D04511J	14		N2	1		
705	24	PK	D00819	45		31-51-41	D04511J	12		N2	2		
706	24	PK	D00819	10		31-51-41	D04349J	31		N2	2		
707	24	PK	D00819	21		31-51-41	D04509J	4		N2	2		
708	24	PK	D00819	9		31-51-41	D04349J	7		N2	2		
709	24	PK	D00819	39		31-51-41	SM00044		W	N2	1		
710	24	PK	D00819	43		31-51-41	SM00037		W	N2	1		
711	24	PK	D00819	12		31-51-41	D04349J	21		N2	2		
712	24	PK	D00819	53		31-51-41	D04349J	3		N2	2		
713	24	PK	D00819	20		31-51-41	D04347J	9		N2	2		
714	24	PK	D00819	44		31-51-41	D04349J	24		N2	2		
715	24	PK	D04507J	6		31-51-42	SM00019		W	N2	1		
716	24	PK	D01433	34		31-51-42	SM00019		W	N2	1		
717	24	PK	D01433	37		31-51-42	SM00034		W	N2	1		
718	24	PK	D01433	39		31-51-42	D04509J	2		N2	2		
720	24	PK	D01433	52		31-51-42	SM00040		W	N2	1		
721	24	PK	D01433	38		31-51-42	D04347J	24		N2	2		
722	24	PK	D01433	5		31-51-42	D04349J	22		N2	2		
723	24	PK	D04511J	11		31-51-42	SM00038		W	N2	1		
724	24	PK	D01433	40		31-51-42	SM00038		W	N2	1		
725	24	PK	D01433	3		31-51-42	D04347J	13		N2	2		
726	22	PA	D04347J	14		31-51-21	SM00036		W	N2	1		
727	22	PA	D04301J	11		31-51-21	SM00035		W	N2	1		
728	24	PK	D04347J	1		31-51-41	D00819	35		N2	2		
729	24	PK	D04347J	2		31-51-41	D00819	1		N2	2		
730	24	PK	D04347J	3		31-51-41	D00819	36		N2	2		
731	24	PK	D04347J	4		31-51-41	D00819	2		N2	2		
732	24	PK	D04347J	5		31-51-42	D01433	20		N2	2		
733	24	PK	D04347J	16		34-16-11	D00821	65		N2	2		
734	24	PK	D04347J	8		31-51-31	SM00046		W	N2	1		
737	24	PK	SM00041		W	34-16-11	D00821	31		N2	1		
738	24	PK	D04347J	19		34-16-11	D00821	7		N2	2		
739	24	PK	SM00075		W	34-16-11	D00821	6		N2	1		

286T0045-315
Wire Bundle Assembly
Figure 117 (Sheet 15)

25-71-02

WIRE		FROM EQUIPMENT		TO EQUIPMENT		WIRE INFO					
NUMBER	GA	TYP	NUMBER	TERM TT	WDM REF	NUMBER	TERM TT	EMC/SEP	FT	NOTES	EFFECTIVITY
741	24	PK	D00821	18	34-16-11	D00821	22	N2			
742	24	PK	D00821	50	34-16-11	D00821	48	N2			
746	24	PK	D04597J	10	31-51-31	SM00043		N2	1		
747	24	PK	D01487	46	31-51-31	SM00043		N2	1		
748	24	PK	D04347J	7	31-51-31	SM00045		N2	1		
749	24	PK	D01487	10	31-51-31	SM00045		N2	1		
750	24	PK	D01487	19	31-51-31	SM00046		N2	1		
751	24	PK	D01487	13	31-51-31	SM00040		N2	1		
752	24	PK	D01487	47	31-51-31	SM00044		N2	1		
753	24	PK	D01487	51	31-51-31	SM00041		N2	1		
755	24	PV	D01487	1	31-51-31	SM00035		N2	1		
755Z			D01487	ED	31-51-31	SM00035	DED	N2			
756	24	PK	D01487	50	31-51-31	SM00036		N2	1		
757	24	PK	D01487	11	31-51-31	SM00039		N2	1		
758	24	PK	D01487	22	31-51-31	D01489	23	N2	2		
759	24	PK	D01487	55	31-51-31	D01489	47	N2	2		
760	24	PK	D01487	34	31-51-31	D01489	51	N2	2		
761	24	PK	D01487	66	31-51-31	D01489	57	N2	2		
762	24	PK	D00817	10	31-51-32	SM00045		N2	1		
763	24	PK	D00817	46	31-51-32	SM00043		N2	1		
764	24	PV	D00817	1	31-51-32	SM00035		N2	1		
764Z			D00817	ED	31-51-32	SM00035	DED	N2			
765	24	PK	D00817	50	31-51-32	SM00036		N2	1		
766	24	PV	D00817	11	31-51-32	SM00053		N2	1		
766Z			D00817	ED	31-51-32	SM00053	DED	N2			
767	24	PK	D00817	19	31-51-32	SM00046		N2	1		
768	24	PK	D00817	13	31-51-32	SM00040		N2	1		
769	24	PK	D00817	47	31-51-32	SM00044		N2	1		
770	24	PK	D00817	51	31-51-32	SM00041		N2	1		
772	24	PK	D00817	22	31-51-32	D01489	54	N2	2		
773	24	PK	D00817	55	31-51-32	D01489	13	N2	2		
774	24	PK	D00817	34	31-51-32	D01489	25	N2	2		
775	24	PK	D00817	66	31-51-32	D01489	58	N2	2		

286T0045-315
Wire Bundle Assembly
Figure 117 (Sheet 16)

25-71-02



BOEING
COMPONENT
MAINTENANCE MANUAL

WIRE			FROM EQUIPMENT			TO EQUIPMENT			WIRE INFO				
NUMBER	GA	TYP	NUMBER	TERM	TT	WDM REF	NUMBER	TERM	TT	EMC/SEP	FT	NOTES	EFFECTIVITY
776	24	PK	D01489	42		31-51-33	D04347J	15		N2	2		
777	24	PK	D01489	8		31-51-33	D04349J	13		N2	2		
779	24	PK	D01489	35		31-51-33	D04349J	40		N2	2		
780	24	PK	D01489	53		31-51-33	D04349J	2		N2	2		
781	24	PK	D01489	31		31-51-33	D01489	48		N2			
782	24	PK	D01489	18		31-51-33	D01489	22		N2			
783	24	PK	D01489	38		31-51-33	SM00008		W	N2	1		
784	24	PK	D01489	4		31-51-33	SM00011		W	N2	1		
785	24	PK	D01489	37		31-51-33	SM00012		W	N2	1		
786	24	PK	D01489	3		31-51-33	SM00010		W	N2	1		
787	24	PK	D01489	1		31-51-33	SM00009		W	N2	1		
788	24	PK	D01489	6		31-51-33	SM00034		W	N2	1		
789	24	PK	D01489	41		31-51-33	D04509J	11		N2	2		
791	24	PK	D01489	7		31-51-33	D04509J	10		N2	2		
792	24	PK	D01489	40		31-51-33	D04509J	9		N2	2		
793	24	PK	D00819	11		31-51-41	SM00075		W	N2	1		
794	20	PA	D04303J	10		31-51-32	GDX0004	S..	2	N2	2		
795	24	PK	D01433	9		31-51-42	D01433	48		N2			
796	24	PK	D01433	22		31-51-42	D01433	50		N2			
797	24	PV	D00815	41		31-51-21	SM00053		W	N2	1		
797Z			D00815	ED		31-51-21	SM00053	DED		N2			
798	24	PV	D04349J	9		31-51-21	SM00053		W	N2	1		
798Z			D04349J	ED		31-51-21	SM00053	DED		N2			
817	24	PK	D00823	55		27-32-12	D11553	6		N2	2		
818	24	PK	D00823	21		27-32-12	D11553	4		N2	2		
819	24	PK	D00823	51		27-32-12	D11553	3		N2	2		
820	24	PK	D00823	50		27-32-12	D11553	2		N2	2		
821	24	PK	D00823	49		27-32-12	D11553	7		N2	2		
822	24	PK	D00823	47		27-32-12	D11553	8		N2	2		
823	24	PK	D00823	46		27-32-12	D11553	9		N2	2		
824	24	PK	D00823	53		27-32-12	D11553	5		N2	2		
825	24	PK	D00823	62		27-32-12	D11553	24		N2	2		
826	24	PK	D01381	55		27-32-22	D11553	16		N2	2		

286T0045-315
Wire Bundle Assembly
Figure 117 (Sheet 17)

25-71-02

TESTING & TROUBLE SHOOTING
01

Page 156Q
Nov 01/02

WIRE			FROM EQUIPMENT			TO EQUIPMENT			WIRE INFO				
NUMBER	GA	TYP	NUMBER	TERM	TT	WDM REF	NUMBER	TERM	TT	ENC/ SEP	FT	NOTES	EFFECTIVITY
827	24	PK	D01381	21		27-32-22	D11553	14		N2	2		
828	24	PK	D01381	51		27-32-22	D11553	13		N2	2		
829	24	PK	D01381	50		27-32-22	D11553	12		N2	2		
830	24	PK	D01381	49		27-32-22	D11553	17		N2	2		
831	24	PK	D01381	47		27-32-22	D11553	18		N2	2		
832	24	PK	D01381	46		27-32-22	D11553	19		N2	2		
833	24	PK	D01381	53		27-32-22	D11553	15		N2	2		
834	24	PK	D01381	62		27-32-22	D11553	34		N2	2		
835	24	PK	D04349J	50		27-32-21	D01381	64		N2	2		
836	20	PA	D04349J	53		27-32-21	GDX0002	S.	2	N2	2		
837	24	PK	D00823	42		27-32-12	SM00082		W	N2	1		
838	24	PK	D01381	42		27-32-22	SM00085		W	N2	1		
842	24	PK	D01381	6		27-32-22	SM00085		W	N2	1		
843	24	PK	D00823	6		27-32-12	SM00082		W	N2	1		
862	22	PA	D02261	30		31-41-35	GDX0006	S.	2	N2	1		
863	22	PA	D02261	32		31-41-35	GDX0006	S.	2	N2	1		
864	22	PA	D02261	33		31-41-35	GDX0006	S.	2	N2	1		
865	22	PA	D02261	64		31-41-35	GDX0006	S.	2	N2	1		
866	24	PV	D02261	27		31-51-11	SM00018		W	N2	1		
866Z			D02261	ED		31-51-11	SM00018	REF		N2			
867	24	PV	D02261	28		31-51-11	SM00047		W	N2	1		
867Z			D02261	ED		31-51-11	SM00047	REF		N2			
868	24	PV	D02261	29		31-51-12	SM00054		W	N2	1		
868Z			D02261	ED		31-51-12	SM00054	REF		N2			
869	24	PK	D02261	34		31-51-12	SM00025		W	N2	1		
870	22	PA	D02261	56		31-51-12	GDX0001	S.	2	N2	2		
871	22	PA	D02261	57		31-51-12	GDX0003	S.	2	N2	2		
872	22	PA	D02261	59		31-51-11	GDX0005	S.	2	N2	1		
873	24	PV	D02261	60		31-51-12	SM00055		W	N2	1		
873Z			D02261	ED		31-51-12	SM00055	REF		N2			
874	24	PV	D02261	62		31-51-11	SM00049		W	N2	1		
874Z			D02261	ED		31-51-11	SM00049	REF		N2			
875	24	PV	D02261	63		31-51-12	SM00056		W	N2	1		

286T0045-315
Wire Bundle Assembly
Figure 117 (Sheet 18)

25-71-02



BOEING
COMPONENT
MAINTENANCE MANUAL

WIRE			FROM EQUIPMENT			TO EQUIPMENT			WIRE INFO			
NUMBER	GA	TYP	NUMBER	TERM TT	WDM REF	NUMBER	TERM TT	EMC/SEP	FT	NOTES	EFFECTIVITY	
875Z			D02261	ED	31-51-12	SM00056	REF	N2	1			
876	24	PK	D02261	65	31-51-11	SM00022	W	N2	2			
877	24	PV	D00811	14	31-51-11	SM00018	W	N2	2			
877Z			D00811	ED	31-51-11	SM00018	REF	N2	2			
878	24	PV	D00811	48	31-51-11	SM00047	W	N2	2			
878Z			D00811	ED	31-51-11	SM00047	REF	N2	2			
879	24	PV	D00811	23	31-51-11	SM00049	W	N2	2			
879Z			D00811	ED	31-51-11	SM00049	REF	N2	2			
880	24	PV	D00813	14	31-51-12	SM00054	W	N2	2			
880Z			D00813	ED	31-51-12	SM00054	REF	N2	2			
881	24	PV	D00813	48	31-51-12	SM00055	W	N2	2			
881Z			D00813	ED	31-51-12	SM00055	REF	N2	2			
882	24	PV	D00813	23	31-51-12	SM00056	W	N2	2			
882Z			D00813	ED	31-51-12	SM00056	REF	N2	2			
883	22	PA	D02261	15	38-32-11	D04349J	26	N2	2			
884	22	PA	D02261	47	38-32-11	D04347J	27	N2	2			
885	24	PK	D04303J	9	31-51-21	SM00057	W	N2	1			
886	24	PK	D04507J	3	31-51-21	SM00058	W	N2	1			
887	24	PK	D04507J	1	31-51-21	SM00058	W	N2	1			
888	24	PK	SM00057		31-51-21	D04349J	44	N2	1			

286T0045-315
Wire Bundle Assembly
Figure 117 (Sheet 19)

25-71-02

WIRE			FROM EQUIPMENT			TO EQUIPMENT			WIRE INFO				
NUMBER	GA	TYP	NUMBER	TERM	TYP	WDM REF	NUMBER	TERM	TYP	EMC/ SEP	FT	NOTES	EFFECTIVITY
FRA			M01103			31-51-12	M01103	GND	D	N2			
FRB			D00813			31-51-12	D00813	59		N2			
FRC			M01102			31-51-11	M01102	GND	D	N2			
FRD			D00811			31-51-11	D00811	59		N2			
FRG			D04349J	58		31-41-35	D04349J			N2			
FRH			D04349J	61		28-41-11	D04349J			N2			
PA1			D00815	47		99-99-99	D00815	63		N2		DAW-B2	
PA2			D00817	8		99-99-99	D00817	57		N2		DAW-B2	
PA3			D00819	41		99-99-99	D00819	55		N2		DAW-B2	
PA4			D00821	43		99-99-99	D00821	60		N2		DAW-B2	
PA5			D00823	52		99-99-99	D00823	65		N2		DAW-B2	
PA6			D01433	44		99-99-99	D01433	61		N2		DAW-B2	
PA7			D01381	52		99-99-99	D01381	65		N2		DAW-B2	
PA8			D01487	8		99-99-99	D01487	57		N2		DAW-B2	
PA9			D01489	56		99-99-99	D01489	65		N2		DAW-B2	
PB4			D02261	54		99-99-99	D02261	61		N2		DAW-B2	
P01		SE	D11553							N2			
1	22	PA	D00811	60		31-51-11	GDX0001	S..	2	N2	3	UAE-F2	
2	22	PA	D00821	14		31-51-11	GDX0002	D..	2	N2	2		
3	24	PV	D00811	26		31-51-11	D00821	27		N2	3		
003Z			D00811	DED		31-51-11	D00821			N2			
4	24	PV	D00811	49		31-51-11	D00821	32		N2	3		
004Z			D00811	DED		31-51-11	D00821			N2			
5	24	PV	D00811	35		31-51-11	D00821	17		N2	3		
005Z			D00811	DED		31-51-11	D00821			N2			
6	24	PK	SM00022		W	31-51-11	D00821	51		N2	1		
7	24	PK	D00811	65		31-51-11	SM00022		W	N2	2		
8	24	PK	D00819	37		31-51-11	SM00022		W	N2	1		
9	24	PV	D00819	27		31-51-11	D00811	13		N2	3		
009Z			D00811	DED		31-51-11	D00819			N2			
10	22	PA	D00819	14		31-51-11	GDX0001	D..	2	N2	2		
11	24	PK	D01433	51		31-51-11	SM00022		W	N2	1		
12	24	PV	SM00018		W	31-51-11	D01433	27		N2	1		

286T0045-317
Wire Bundle Assembly
Figure 118 (Sheet 1)

25-71-02



BOEING
COMPONENT
MAINTENANCE MANUAL

WIRE			FROM EQUIPMENT			TO EQUIPMENT			WIRE INFO				
NUMBER	GA	TYP	NUMBER	TERM	TT	WDM REF	NUMBER	TERM	TT	EMC/SEP	FT	NOTES	EFFECTIVITY
012Z			SM00018	REF		31-51-11	D01433			N2			
13	24	PV	SM00047		W	31-51-11	D01433	32		N2	1		
013Z			SM00047	REF		31-51-11	D01433			N2			
14	24	PV	SM00049		W	31-51-11	D01433	17		N2	1		
014Z			SM00049	REF		31-51-11	D01433			N2			
15	22	PA	D01433	14		31-51-11	GDX0001	D..	2	N2	2		
16	20	PA	SM00028		W	31-51-11	GDX0005	D..	2	N2			
17	20	UA	GDX0002	S..	2	31-51-11	D00821			N2	2		
18	20	UA	GDX0005	S..	2	31-51-11	D00819			N2	2		
19	20	UA	D01433			31-51-11	GDX0002	S..	2	N2	2		
20	20	PA	GDX0005	D..	2	31-51-11	SM00029		W	N2			
21	20	UA	GDX0002	S..	2	31-51-11	D01503			N2	2		
23	20	UA	D00815			31-51-11	GDX0002	S..	2	N2	2		
24	24	PK	D04349J	38		31-51-11	SM00005		W	N2	1		
25	24	PK	D01503	A2		31-51-11	SM00005		W	N2	1		
26	20	PA	D01503	A3		31-51-11	GDX0003	D..	2	N2	2		
27	22	PQ	D01503	X2		31-51-11	D00811	75		N2	4		
027Z			D00811	DED		31-51-11	D01503			N2			
28	24	PV	D01503	X1		31-51-11	SM00015		W	N2	1		
028Z			SM00015	REF		31-51-11	D01503			N2			
29	24	PV	D00811	46		31-51-11	SM00015		W	N2	2		
029Z			SM00015	REF		31-51-11	D00811	DED		N2			
30	24	PK	SM00015		W	31-51-11	D11553	35		N2	1		
32	20	PA	D11553	11		31-51-11	GDX0003	D..	2	N2	2		
33	24	PK	D11553	37		31-51-11	D00811	34		N2	4		
34	24	PK	D11553	36		31-51-11	D00811	33		N2	4		
35	22	PA	D00815	14		31-51-11	GDX0001	D..	2	N2	2		
36	24	PV	D00815	27		31-51-11	D00811	12		N2	3		
036Z			D00811	DED		31-51-11	D00815			N2			
37	24	PV	D00815	32		31-51-11	D00811	17		N2	3		
037Z			D00811	DED		31-51-11	D00815			N2			
38	24	PV	D00815	17		31-51-11	D00811	22		N2	3		
038Z			D00811	DED		31-51-11	D00815			N2			

286T0045-317
Wire Bundle Assembly
Figure 118 (Sheet 2)

25-71-02

WIRE			FROM EQUIPMENT			TO EQUIPMENT			WIRE INFO				
NUMBER	GA	TYP	NUMBER	TERM	TT	WDM REF	NUMBER	TERM	TT	EMC/SEP	FT	NOTES	EFFECTIVITY
39	24	PK	D00815	54		31-51-11	SM00020		W	N2	1		
40	24	PK	D00811	63		31-51-11	SM00020		W	N2	2		
41	24	PK	D00823	35		31-51-11	SM00020		W	N2	1		
42	24	PK	D01381	35		31-51-11	SM00020		W	N2	1		
45	22	PA	D01381	14		31-51-11	GDX0001	D..	2	N2	2		
46	22	PA	D01381	48		31-51-11	GDX0003	D..	2	N2	2		
47	24	PV	D01381	27		31-51-11	D00811	11		N2	3		
047Z			D00811	DED		31-51-11	D01381			N2			
48	24	PV	D01381	32		31-51-11	D00811	16		N2	3		
048Z			D00811	DED		31-51-11	D01381			N2			
49	24	PV	D01381	17		31-51-11	D00811	21		N2	3		
049Z			D00811	DED		31-51-11	D01381			N2			
52	22	PA	D00823	14		31-51-11	GDX0001	D..	2	N2	2		
53	22	PA	D00823	48		31-51-11	GDX0003	D..	2	N2	2		
54	24	PV	D00823	27		31-51-11	D00811	10		N2	3		
054Z			D00811	DED		31-51-11	D00823			N2			
55	24	PV	D00823	32		31-51-11	D00811	15		N2	3		
055Z			D00811	DED		31-51-11	D00823			N2			
56	24	PV	D00823	17		31-51-11	D00811	20		N2	3		
056Z			D00811	DED		31-51-11	D00823			N2			
57	22	PA	D00817	14		31-51-11	GDX0002	D..	2	N2	2		
58	24	PV	D00817	27		31-51-11	D00811	51		N2	3		
058Z			D00811	DED		31-51-11	D00817			N2			
59	24	PV	D00817	32		31-51-11	D00811	74		N2	3		
059Z			D00811	DED		31-51-11	D00817			N2			
60	24	PK	D00817	45		31-51-11	SM00021		W	N2	1		
61	24	PK	D00811	64		31-51-11	SM00021		W	N2	2		
62	24	PK	D01489	16		31-51-11	SM00021		W	N2	1		
63	24	PK	D01487	45		31-51-11	SM00021		W	N2	1		
64	24	PV	D01487	27		31-51-11	D00811	47		N2	3		
064Z			D00811	DED		31-51-11	D01487			N2			
65	24	PV	D01487	32		31-51-11	D00811	70		N2	3		
065Z			D00811	DED		31-51-11	D01487			N2			

286T0045-317
Wire Bundle Assembly
Figure 118 (Sheet 3)

25-71-02



BOEING
COMPONENT
MAINTENANCE MANUAL

WIRE			FROM EQUIPMENT			TO EQUIPMENT			WIRE INFO				
NUMBER	GA	TYP	NUMBER	TERM	TT	WDM REF	NUMBER	TERM	TT	EMC/SEP	FT	NOTES	EFFECTIVITY
66	22	PA	D01487	14		31-51-11	GDX0003	D..	2	N2	2		
67	24	PV	D01489	27		31-51-11	D00811	45		N2	3		
067Z			D00811	DED		31-51-11	D01489			N2			
68	24	PV	D01489	32		31-51-11	D00811	50		N2	3		
068Z			D00811	DED		31-51-11	D01489			N2			
69	24	PV	D01489	17		31-51-11	D00811	36		N2	3		
069Z			D00811	DED		31-51-11	D01489			N2			
70	22	PA	D01489	14		31-51-11	GDX0003	D..	2	N2	2		
71	20	UA	D01381			31-51-11	GDX0002	S..	2	N2	2		
72	20	UA	D00823			31-51-11	GDX0002	S..	2	N2	2		
73	20	UA	D00817			31-51-11	GDX0002	S..	2	N2	2		
74	20	PA	SM00026		W	31-51-11	GDX0005	D..	2	N2	2		
75	20	UA	D01487			31-51-11	GDX0005	S..	2	N2	2		
76	20	UA	GDX0005	S..	2	31-51-11	D01489			N2	2		
77	24	PK	D02261	40		31-41-35	D04349J	1		N2	2		
78	20	PA	SM00027		W	31-51-11	GDX0005	D..	2	N2	2		
79	22	PA	D00813	60		31-51-12	GDX0003	S..	2	N2	3		
80	22	PA	D00821	15		31-51-12	GDX0002	D..	2	N2	2		
81	24	PV	D00821	30		31-51-12	D00813	26		N2	3		
081Z			D00813	DED		31-51-12	D00821			N2			
82	24	PV	D00821	33		31-51-12	D00813	49		N2	3		
082Z			D00813	DED		31-51-12	D00821			N2			
83	24	PV	D00821	24		31-51-12	D00813	35		N2	3		
083Z			D00813	DED		31-51-12	D00821			N2			
84	24	PK	D00821	19		31-51-12	SM00025		W	N2	1		
85	24	PK	D00813	65		31-51-12	SM00025		W	N2	2		
86	24	PK	D00819	3		31-51-12	SM00025		W	N2	1		
87	24	PK	D01433	18		31-51-12	SM00025		W	N2	1		
88	22	PA	D01433	15		31-51-12	GDX0002	D..	2	N2	2		
89	24	PV	D01433	30		31-51-12	SM00054		W	N2	1		
089Z			SM00054	REF		31-51-12	D01433		W	N2			
90	24	PV	D01433	33		31-51-12	SM00055		W	N2	1		
090Z			SM00055	REF		31-51-12	D01433		W	N2			

286T0045-317
Wire Bundle Assembly
Figure 118 (Sheet 4)

25-71-02

WIRE			FROM EQUIPMENT				TO EQUIPMENT				WIRE INFO			
NUMBER	GA	TYP	NUMBER	TERM	TT	WDM REF	NUMBER	TERM	TT	EMC/SEP	FT	NOTES	EFFECTIVITY	
91	24	PV	D01433	24		31-51-12	SM00056		W	N2	1			
091Z			SM00056	REF		31-51-12	D01433			N2				
92	22	PA	D00819	15		31-51-12	GDX0002	D..	2	N2	2			
93	24	PV	D00819	30		31-51-12	D00813	13		N2	3			
093Z			D00813	DED		31-51-12	D00819			N2				
94	20	PA	SM00032		W	31-51-12	GDX0005	D..	2	N2	3			
95	24	PV	D01505	X2		31-51-12	D00813	75		N2				
095Z			D00813	DED		31-51-12	D01505			N2				
96	24	PV	D01505	X1		31-51-12	SM00016		W	N2	1			
096Z			SM00016	REF		31-51-12	D01505			N2				
97	24	PV	D00813	46		31-51-12	SM00016		W	N2	2			
097Z			SM00016	REF		31-51-12	D00813	DED		N2				
98	20	PA	SM00033		W	31-51-12	GDX0005	D..	2	N2				
99	24	PK	SM00016		W	31-51-12	D11553	25		N2	1			
10A	24	PK	D04349J	23		31-51-33	D01489	21		N2	2			
100	20	PA	D11553	1		31-51-12	GDX0003	D..	2	N2	2			
101	20	UA	D00821			31-51-12	GDX0004	S..	2	N2	2			
102	20	UA	D00819			31-51-12	GDX0004	S..	2	N2	2			
103	20	UA	D01433			31-51-12	GDX0004	S..	2	N2	2			
104	20	UA	D01505			31-51-12	GDX0005	S..	2	N2	2			
106	20	UA	D00815			31-51-12	GDX0004	S..	2	N2	2			
107	20	UA	D01381			31-51-12	GDX0004	S..	2	N2	2			
109	20	UA	D00817			31-51-12	GDX0004	S..	2	N2	2			
110	20	UA	D01487			31-51-12	GDX0001	S..	2	N2	2			
111	20	UA	D01489			31-51-12	GDX0001	S..	2	N2	2			
112	22	PA	D00815	15		31-51-12	GDX0001	D..	2	N2	2			
113	24	PK	D01505	A2		31-51-12	SM00005		W	N2	1			
114	20	PA	D01505	A3		31-51-12	GDX0003	D..	2	N2	2			
115	24	PK	D02261	21		21-61-51	D04347J	25		N2	2			
116	24	PK	D00815	21		31-51-12	SM00023		W	N2	1			
117	24	PK	D00813	63		31-51-12	SM00023		W	N2	2			
118	24	PK	D00823	1		31-51-12	SM00023		W	N2	1			
119	24	PK	D01381	1		31-51-12	SM00023		W	N2	1			

286T0045-317
Wire Bundle Assembly
Figure 118 (Sheet 5)

25-71-02



BOEING
COMPONENT
MAINTENANCE MANUAL

WIRE			FROM EQUIPMENT			TO EQUIPMENT			WIRE INFO			
NUMBER	GA	TYP	NUMBER	TERM TT	WDM REF	NUMBER	TERM TT	EMC/SEP	FT	NOTES	EFFECTIVITY	
120	22	PA	D01381	15	31-51-12	GDX0001	D..	N2	2			
121	24	PK	D00817	56	31-51-12	SM00024		N2	1			
122	24	PK	D00813	64	31-51-12	SM00024		N2	2			
123	24	PK	D01487	56	31-51-12	SM00024		N2	1			
124	22	PA	D00823	15	31-51-12	GDX0001	D..	N2	2			
125	20	UA	D00823		31-51-12	GDX0004	S..	N2	2			
126	24	PV	D00823	33	31-51-12	D00813	15	N2	3			
126Z			D00823		31-51-12	D00813	DED	N2				
127	24	PV	D00823	24	31-51-12	D00813	20	N2	3			
127Z			D00823		31-51-12	D00813	DED	N2				
128	22	PA	D00817	15	31-51-12	GDX0002	D..	N2	2			
129	24	PV	D00817	30	31-51-12	D00813	51	N2	3			
129Z			D00817		31-51-12	D00813	DED	N2				
130	24	PV	D00817	33	31-51-12	D00813	74	N2	3			
130Z			D00817		31-51-12	D00813	DED	N2				
131	24	PV	D00813	11	31-51-12	D01381	30	N2	3			
131Z			D01381		31-51-12	D00813	DED	N2				
132	24	PV	D00813	16	31-51-12	D01381	33	N2	3			
132Z			D01381		31-51-12	D00813	DED	N2				
133	24	PV	D01381	24	31-51-12	D00813	21	N2	3			
133Z			D01381		31-51-12	D00813	DED	N2				
134	24	PK	D01489	50	31-51-12	SM00024		N2	1			
135	24	PV	D01487	30	31-51-12	D00813	47	N2	3			
135Z			D01487		31-51-12	D00813	DED	N2				
136	24	PV	D01487	33	31-51-12	D00813	70	N2	3			
136Z			D01487		31-51-12	D00813	DED	N2				
137	22	PA	D01487	15	31-51-12	GDX0003	D..	N2	2			
138	24	PV	D01489	30	31-51-12	D00813	45	N2	3			
138Z			D01489		31-51-12	D00813	DED	N2				
139	24	PV	D01489	33	31-51-12	D00813	50	N2	3			
139Z			D01489		31-51-12	D00813	DED	N2				
140	24	PV	D01489	24	31-51-12	D00813	36	N2	3			
140Z			D01489		31-51-12	D00813	DED	N2				

286T0045-317
Wire Bundle Assembly
Figure 118 (Sheet 6)

25-71-02

WIRE		FROM EQUIPMENT			TO EQUIPMENT			WIRE INFO					
NUMBER	GA	TYP	NUMBER	TERM	TT	WDM REF	NUMBER	TERM	TT	EMC/SEP	FT	NOTES	EFFECTIVITY
141	22	PA	D01489	15		31-51-12	GDX0003	D..	2	N2	2		
142	24	PK	D00813	33		31-51-12	D11553	26		N2	3		
143	24	PK	D11553	27		31-51-12	D00813	34		N2	3		
144	24	PV	D00813	12		31-51-12	D00815	30		N2	3		
144Z			D00813	DED		31-51-12	D00815			N2			
145	20	PA	SM00030		W	31-51-12	GDX0005	D..	2	N2			
146	24	PV	D00813	17		31-51-12	D00815	33		N2	3		
146Z			D00813	DED		31-51-12	D00815			N2			
147	24	PV	D00813	22		31-51-12	D00815	24		N2	3		
147Z			D00813	DED		31-51-12	D00815			N2			
148	24	PV	D00813	10		31-51-12	D00823	30		N2	3		
148Z			D00813	DED		31-51-12	D00823			N2			
149	20	PA	SM00031		W	31-51-12	GDX0005	D..	2	N2			
150	22	PA	D04301J	6		27-32-11	D00823	34		N2	2		
151	24	PK	D04509J	1		27-32-11	D00823	39		N2	2		
152	24	PK	D04347J	26		27-32-11	D00823	40		N2	2		
153	24	PK	D00823	31		27-32-11	D04509J	6		N2	2		
154	20	PA	D04509J	7		27-32-11	GDX0001	D..	2	N2	2		
155	24	PK	SM00037		W	27-32-11	D04511J	3		N2	1		
156	24	PK	D00823	38		27-32-11	D04511J	2		N2	2		
157	24	PK	D04511J	4		27-32-11	SM00050		W	N2	1		
158	24	PK	SM00037		W	27-32-11	D00823	4		N2	1		
159	24	PK	D04349J	14		27-32-11	D00823	36		N2	1		
160	24	PK	D04349J	15		27-32-11	D00823	3		N2	1		
161	24	PK	D04349J	16		27-32-11	D00823	43		N2	1		
162	24	PK	D04349J	10		27-32-11	D00823	2		N2	1		
165	22	PA	D04349J	11		27-32-21	D01381	34		N2	2		
166	24	PK	D01381	40		27-32-21	D04349J	6		N2	2		
167	24	PK	D01381	31		27-32-21	D04511J	7		N2	2		
168	20	PA	GDX0002	D..	2	27-32-21	D04511J	8		N2	2		
169	24	PK	D04349J	34		27-32-21	D01381	36		N2	2		
170	24	PK	D04349J	35		27-32-21	D01381	3		N2	2		
171	24	PK	D04349J	36		27-32-21	D01381	43		N2	2		

286T0045-317
Wire Bundle Assembly
Figure 118 (Sheet 7)

25-71-02



BOEING
COMPONENT
MAINTENANCE MANUAL

WIRE			FROM EQUIPMENT				TO EQUIPMENT				WIRE INFO			
NUMBER	GA	TYP	NUMBER	TERM	TT	WDM REF	NUMBER	TERM	TT	EMC/SEP	FT	NOTES	EFFECTIVITY	
172	24	PK	D04349J	37		27-32-21	D01381	2		N2	2			
173	24	PK	D04511J	13		27-32-21	D01381	4		N2	2			
174	24	PK	D04511J	16		27-32-21	D01381	37		N2	2			
175	24	PK	D04511J	15		27-32-21	D01381	38		N2	2			
176	24	PK	D04509J	8		27-32-21	D01381	39		N2	2			
177	24	PK	D00815	34		31-51-21	SM00057		W	N2	1			
178	24	PK	D00815	43		31-51-21	D01433	19		N2	2			
179	24	PK	D00815	10		31-51-21	D00819	5		N2	2			
180	24	PK	D04507J	5		31-51-21	SM00034		W	N2	1			
181	24	PK	SM00058		W	31-51-21	D00815	66		N2	1			
182	24	PK	D00815	4		31-51-21	SM00034		W	N2	1			
183	24	PK	D00815	11		31-51-21	D04349J	39		N2	2			
184	22	PA	D00815	37		31-51-21	SM00035		W	N2	1			
185	22	PA	D00815	42		31-51-21	SM00036		W	N2	1			
186	24	PK	D04349J	5		31-51-21	SM00012		W	N2	1			
187	24	PK	D00815	2		31-51-21	SM00012		W	N2	1			
188	24	PK	SM00011		W	31-51-21	D04349J	4		N2	1			
189	24	PK	SM00011		W	31-51-21	D00815	35		N2	1			
190	24	PK	D04349J	12		31-51-21	SM00009		W	N2	1			
191	24	PK	D00815	44		31-51-21	SM00009		W	N2	1			
192	24	PK	D04347J	10		31-51-21	SM00008		W	N2	1			
193	24	PK	D00815	1		31-51-21	SM00008		W	N2	1			
194	24	PK	D04347J	11		31-51-21	SM00010		W	N2	1			
195	24	PK	D00815	36		31-51-21	SM00010		W	N2	1			
196	24	PK	SM00039		W	31-51-21	D04347J	21		N2	1			
197	24	PK	D00815	45		31-51-21	SM00039		W	N2	1			
198	24	PK	D00815	46		31-51-21	D04347J	6		N2	2			
199	20	PA	GDX0004	S..	2	31-51-31	D04597J	14		N2	2			
201B	24	PW	D01489	43		31-51-33	SM00004		W	N2	1			
201R	24	PW	D01489	9		31-51-33	SM00003		W	N2				
201Z			D01489	DED		31-51-33	SM00003	REF		N2				
204	20	UA	D04507J			27-32-11	GDX0004	S..	2	N2	2			
204B	24	PW	D00823	18		27-32-11	D04507J	12		N2	1			

286T0045-317
Wire Bundle Assembly
Figure 118 (Sheet 8)

25-71-02

WIRE			FROM EQUIPMENT			TO EQUIPMENT			WIRE INFO				
NUMBER	GA	TYP	NUMBER	TERM	TT	WDM REF	NUMBER	TERM	TT	EMC/SEP	FT	NOTES	EFFECTIVITY
204R	24	PW	D00823	16		27-32-11	D04507J	11		N2			
204Z			D00823	DED		27-32-11	D04507J			N2			
205B	24	PW	D00815	19		31-51-21	SM00007		W	N2	1		
205R	24	PW	D00815	52		31-51-21	SM00006		W	N2			
205Z			D00815	DED		31-51-21	SM00006	REF		N2			
207	20	UA	D04597J			31-51-21	GDX0004	S..	2	N2	2		
207B	24	PW	SM00007		W	31-51-21	D04597J	4		N2	1		
207R	24	PW	SM00006		W	31-51-21	D04597J	3		N2			
207Z			SM00006	REF		31-51-21	D04597J			N2			
208	20	UA	D04301J			34-16-11	GDX0002	S..	2	N2	2		
208B	24	PW	D00821	36		34-16-11	D04301J	9		N2	2		
208R	24	PW	D00821	2		34-16-11	D04301J	8		N2			
208Z			D00821	DED		34-16-11	D04301J			N2			
209B	24	PW	D01489	46		31-51-33	SM00007		W	N2	1		
209R	24	PW	D01489	12		31-51-33	SM00006		W	N2			
209Z			D01489	DED		31-51-33	SM00006	REF		N2			
212B	24	PW	D01433	36		31-51-42	SM00007		W	N2	1		
212R	24	PW	D01433	2		31-51-42	SM00006		W	N2			
212Z			D01433	DED		31-51-42	SM00006	REF		N2			
213	20	UA	D04507J			34-16-11	GDX0004	S..	2	N2	2		
213B	24	PW	D00821	35		34-16-11	D04507J	8		N2	2		
213R	24	PW	D00821	1		34-16-11	D04507J	9		N2			
213Z			D00821	DED		34-16-11	D04507J			N2			
214	20	UA	D04349J			34-16-11	GDX0004	S..	2	N2	2		
214B	24	PW	D00821	37		34-16-11	D04349J	19		N2	2		
214R	24	PW	D00821	3		34-16-11	D04349J	18		N2			
214Z			D00821	DED		34-16-11	D04349J			N2			
215B	24	PL	D01487	24		31-51-31	D04597J	12		N2	2		
215R	24	PL	D01487	23		31-51-31	D04597J	13		N2			
216B	24	PL	D00817	24		31-51-32	D04303J	12		N2	2		
216R	24	PL	D00817	23		31-51-32	D04303J	11		N2			
221B	24	PW	D01489	45		31-51-33	SM00004		W	N2	1		
221R	24	PW	D01489	11		31-51-33	SM00003		W	N2			

286T0045-317
Wire Bundle Assembly
Figure 118 (Sheet 9)

25-71-02



BOEING
COMPONENT
MAINTENANCE MANUAL

WIRE			FROM EQUIPMENT			TO EQUIPMENT			WIRE INFO				
NUMBER	GA	TYP	NUMBER	TERM	TT	WDM REF	NUMBER	TERM	TT	EMC/SEP	FT	NOTES	EFFECTIVITY
221Z			D01489	DED		31-51-33	SM00003	REF		N2			
223B	24	PW	D00821	38		34-16-11	SM00004		W	N2	1		
223R	24	PW	D00821	4		34-16-11	SM00003		W	N2			
223Z			D00821	DED		34-16-11	SM00003	REF		N2			
224	20	UA	D04349J			27-32-21	GDX0004	S..	2	N2	2		
224B	24	PW	D04349J	28		27-32-21	D01381	18		N2	2		
224R	24	PW	D04349J	27		27-32-21	D01381	16		N2			
224Z			D04349J			27-32-21	D01381	DED		N2			
225B	22	PR	D00811	69		31-51-11	SM00060		W	N2	2		
225R	22	PR	D00811	68		31-51-11	SM00060		W	N2			
225Z			D00811	DED		31-51-11	SM00028	REF		N2			
226B	22	PR	D00813	69		31-51-12	SM00061		W	N2	2		
226R	22	PR	D00813	68		31-51-12	SM00061		W	N2			
226Z			D00813	DED		31-51-12	SM00030	REF		N2			
230	20	UA	D04347J			31-51-33	GDX0003	S..	2	N2	2		
230B	24	PW	D04347J	18		31-51-33	SM00004		W	N2	1		
230R	24	PW	D04347J	17		31-51-33	SM00003		W	N2			
230Z			D04347J			31-51-33	SM00003	REF		N2			
236	20	UA	D04347J			27-32-11	GDX0001	S..	2	N2	2		
236B	24	PW	D04347J	37		27-32-11	D00823	54		N2	2		
236R	24	PW	D04347J	36		27-32-11	D00823	23		N2			
236Z			D04347J			27-32-11	D00823	DED		N2			
237B	24	PW	D04347J	40		27-32-11	D00823	13		N2	2		
237R	24	PW	D04347J	39		27-32-11	D00823	12		N2			
237Z			D04347J			27-32-11	D00823	DED		N2			
238	20	UA	D04349J			27-32-21	GDX0001	S..	2	N2	2		
238B	24	PW	D04349J	49		27-32-21	D01381	54		N2	2		
238R	24	PW	D04349J	48		27-32-21	D01381	23		N2			
238Z			D04349J			27-32-21	D01381	DED		N2			
239B	24	PW	D01381	20		27-32-21	D04349J	55		N2	2		
239R	24	PW	D01381	19		27-32-21	D04349J	54		N2			
239Z			D01381	DED		27-32-21	D04349J			N2			
240B	24	PL	D04347J	23		31-51-31	SM00080		W	N2	1		

286T0045-317
Wire Bundle Assembly
Figure 118 (Sheet 10)

25-71-02

WIRE			FROM EQUIPMENT			TO EQUIPMENT			WIRE INFO				
NUMBER	GA.	TYP	NUMBER	TERM	TT	WDM REF	NUMBER	TERM	TT	EMC/SEP	FT	NOTES	EFFECTIVITY
240R	24	PL	D04347J	22		31-51-31	SM00042		W	N2	1		
241B	24	PL	D01487	60		31-51-31	SM00080		W	N2	1		
241R	24	PL	D01487	28		31-51-31	SM00042		W	N2	1		
242B	24	PL	D00817	60		31-51-32	SM00080		W	N2	1		
242R	24	PL	D00817	28		31-51-32	SM00042		W	N2	1		
243B	24	PW	D04349J	52		27-32-21	D01381	13		N2	2		
243R	24	PW	D04349J	51		27-32-21	D01381	12		N2	2		
243Z	24		D04349J			27-32-21	D01381	DED		N2	2		
245B	24	PW	D00823	20		27-32-11	D04347J	48		N2	2		
245R	24	PW	D00823	19		27-32-11	D04347J	47		N2	2		
245Z	24		D00823	DED		27-32-11	D04347J			N2	2		
247	20	UA	D04349J			31-41-35	GDX0006	S..	2	N2	2		
247B	24	PW	D02261	42		31-41-35	D04349J	57		N2	2		
247R	24	PW	D02261	43		31-41-35	D04349J	56		N2	2		
247Z	24		D02261	DED		31-41-35	D04349J			N2	2		
248	20	UA	D04349J			28-41-11	GDX0006	S..	2	N2	2		
248B	24	PW	D02261	5		28-41-11	D04349J	60		N2	2		
248R	24	PW	D02261	8		28-41-11	D04349J	59		N2	2		
248Z	24		D02261	DED		28-41-11	D04349J			N2	2		
271B	24	PL	D04597J	5		31-51-31	SM00088		W	N2	1		
271R	24	PL	D04597J	2		31-51-31	SM00087		W	N2	1		
272B	24	PL	D01487	63		31-51-31	SM00088		W	N2	1		
272R	24	PL	D01487	62		31-51-31	SM00087		W	N2	1		
273B	24	PL	D00817	63		31-51-32	SM00088		W	N2	1		
273R	24	PL	D00817	62		31-51-32	SM00087		W	N2	1		
290B	24	PW	D04597J	8		34-43-15	SM00104		W	N2	1		
290R	24	PW	D04597J	7		34-43-15	SM00103		W	N2	1		
290Z	24		D04597J	9		34-43-15	SM00103	REF		N2	1		
291B	24	PW	D04303J	4		34-43-15	SM00104		W	N2	1		
291R	24	PW	D04303J	3		34-43-15	SM00103		W	N2	1		
291Z	24		D04303J	5		34-43-15	SM00103	REF		N2	1		
292B	24	PW	D04347J	53		34-43-15	SM00104		W	N2	1		
292R	24	PW	D04347J	51		34-43-15	SM00103		W	N2	1		

286T0045-317
Wire Bundle Assembly
Figure 118 (Sheet 11)

25-71-02



BOEING
COMPONENT
MAINTENANCE MANUAL

WIRE		FROM EQUIPMENT			TO EQUIPMENT			WIRE INFO					
NUMBER	GA	TYP	NUMBER	TERM	TT	WDM REF	NUMBER	TERM	TT	EMC/SEP	FT	NOTES	EFFECTIVITY
292Z			D04347J	61		34-43-15	SM00103	REF		N2	1		
301	20	UA	SM00028	REF		31-51-11	GDX0005	S..	2	N2	2		
301B	22	PS	D00811	57		31-51-11	SM00028		W	N2	2		
301R	22	PS	D00811	38		31-51-11	SM00028		W	N2	2		
301Y	22	PS	D00811	58		31-51-11	SM00028		W	N2	2		
301Z			D00811	DED		31-51-11	SM00028	REF		N2	2		
302B	22	PS	D00811	42		31-51-11	SM00029		W	N2	2		
302R	22	PS	D00811	41		31-51-11	SM00029		W	N2	2		
302Y	22	PS	D00811	43		31-51-11	SM00029		W	N2	2		
302Z			D00811	DED		31-51-11	SM00028	REF		N2	2		
303B	22	PS	D00811	8		31-51-11	SM00026		W	N2	2		
303R	22	PS	D00811	7		31-51-11	SM00026		W	N2	2		
303Y	22	PS	D00811	9		31-51-11	SM00026		W	N2	2		
303Z			D00811	DED		31-51-11	SM00028	REF		N2	2		
304B	22	PS	D00811	25		31-51-11	SM00027		W	N2	2		
304R	22	PS	D00811	24		31-51-11	SM00027		W	N2	2		
304Y	22	PS	D00811	37		31-51-11	SM00027		W	N2	2		
304Z			D00811	DED		31-51-11	SM00028	REF		N2	2		
305	20	UA	SM00030	REF		31-51-12	GDX0005	S..	2	N2	1		
305B	22	PS	D00813	8		31-51-12	SM00030		W	N2	2		
305R	22	PS	D00813	7		31-51-12	SM00030		W	N2	2		
305Y	22	PS	D00813	9		31-51-12	SM00030		W	N2	2		
305Z			D00813	DED		31-51-12	SM00030	REF		N2	2		
306B	22	PS	D00813	25		31-51-12	SM00031		W	N2	2		
306R	22	PS	D00813	24		31-51-12	SM00031		W	N2	2		
306Y	22	PS	D00813	37		31-51-12	SM00031		W	N2	2		
306Z			D00813	DED		31-51-12	SM00030	REF		N2	2		
307B	22	PS	D00813	57		31-51-12	SM00032		W	N2	2		
307R	22	PS	D00813	38		31-51-12	SM00032		W	N2	2		
307Y	22	PS	D00813	58		31-51-12	SM00032		W	N2	2		
307Z			D00813	DED		31-51-12	SM00030	REF		N2	2		
308B	22	PS	D00813	42		31-51-12	SM00033		W	N2	2		
308R	22	PS	D00813	41		31-51-12	SM00033		W	N2	2		

286T0045-317
Wire Bundle Assembly
Figure 118 (Sheet 12)

25-71-02

WIRE		FROM EQUIPMENT			TO EQUIPMENT			WIRE INFO					
NUMBER	GA	TYP	NUMBER	TERM	TT	WDM REF	NUMBER	TERM	TT	EMC/SEP	FT	NOTES	EFFECTIVITY
308Y	22	PS	D00813	43		31-51-12	SM00033		W	N2			
308Z			D00813	DED		31-51-12	SM00030	REF		N2			
512	24	PK	D02261	20	W	27-81-31	D04349J	8		N2	2		
601	20	PA	SM00060			31-51-11	GDX0004	D..	2	N2			
602	20	PA	SM00061		W	31-51-12	GDX0005	D..	2	N2			
603	24	PV	D04301J	5		31-51-12	M01103	INE	D	N2	1		
603Z			D04301J	DED		31-51-12	M01103			N2			
604	24	PV	D04301J	4		31-51-12	D00813	4		N2	3		
604Z			D04301J	DED		31-51-12	D00813			N2			
605	24	PV	D00813	1		31-51-12	M01103	OAD	D	N2	3		
605Z			D00813			31-51-12	M01103	DED		N2			
606	24	PV	D04349J	32		31-51-11	M01102	INE	D	N2	1		
606Z			D04349J	DED		31-51-11	M01102			N2			
607	24	PV	D04349J	33		31-51-11	D00811	4		N2	3		
607Z			D04349J	DED		31-51-11	D00811			N2			
608	24	PV	D00811	1		31-51-11	M01102	OAD	D	N2	3		
608Z			D00811			31-51-11	M01102	DED		N2			
610	24	PK	D00823	37		27-32-11	SM00050		W	N2	1		
611	24	PK	D01433	6		31-51-42	D04347J	20		N2	2		
612	24	PK	D01433	4		31-51-42	SM00050		W	N2	1		
613	24	PK	D04349J	30		31-51-31	SM00065		W	N2	1		
614	24	PK	D01487	52		31-51-31	SM00065		W	N2	1		
615	24	PK	D00817	52		31-51-32	SM00065		W	N2	1		
617	24	PK	D01381	11		27-32-12	D00823	56		N2	1		
618	24	PK	D01381	56		27-32-12	D00823	11		N2	1		
619	24	PK	D00823	45		27-32-12	SM00082		W	N2	1		
620	24	PK	D04349J	29		31-51-21	SM00071		W	N2	1		
621	24	PK	D00815	7		31-51-21	SM00071		W	N2	1		
622	24	PK	D01489	2		31-51-33	SM00071		W	N2	1		
623	24	PK	D01489	36		31-51-33	SM00038		W	N2	1		
624	24	PK	D00815	8		31-51-21	SM00045		W	N2	1		
625	24	PK	D01487	9		31-51-31	SM00034		W	N2	1		
631	24	PK	D00817	9		31-51-32	SM00034		W	N2	1		

286T0045-317
Wire Bundle Assembly
Figure 118 (Sheet 13)

25-71-02



BOEING
COMPONENT
MAINTENANCE MANUAL

WIRE		FROM EQUIPMENT			TO EQUIPMENT			WIRE INFO					
NUMBER	GA	TYP	NUMBER	TERM	TT	WDM REF	NUMBER	TERM	TT	EMC/SEP	FT	NOTES	EFFECTIVITY
644	22	PQ	D00823	66		27-32-31	D04347J	42		N2	2		
644Z			D00823	DED		27-32-31	D04347J	DED		N2			
646	22	PQ	D01381	66		27-32-31	D04349J	42		N2	2		
646Z			D01381	DED		27-32-31	D04349J	DED		N2			
681	24	PK	D01433	10		31-51-43	D04507J	10		N2	2		
682	24	PK	D01433	13		31-51-43	D04347J	46		N2	2		
683	22	PA	D01433	41		31-51-43	SM00081		W	N2	1		
684	20	PA	GDX0001	D..	2	31-51-43	D04349J	47		N2	2		
685	24	PK	D00823	58		27-32-12	D01505	A1		N2	2		
686	24	PK	D00823	8		27-32-11	SM00038		W	N2	1		
687	24	PK	D00823	64		27-32-11	SM00081		W	N2	1		
688	24	PK	D01381	58		27-32-22	D01503	A1		N2	2		
689	24	PK	D01381	45		27-32-22	SM00085		W	N2	1		
692	24	PK	D01381	8		27-32-21	SM00038		W	N2	1		
693	24	PK	D04347J	30		31-51-21	D00815	6		N2	2		
694	22	PA	D04349J	46		31-51-43	SM00081		W	N2	1		
696	20	PA	GDX0003	D..	2	27-32-12	SM00082		W	N2	1		
697	20	PA	GDX0003	D..	2	27-32-22	SM00085		W	N2	1		
701	24	PK	D00815	49		31-51-21	D00815	22		N2			
702	24	PK	D00815	16		31-51-21	D00815	48		N2			
703	24	PK	D00819	6	W	31-51-41	SM00019		W	N2	1		
704	24	PK	SM00075			31-51-41	D04511J	14		N2	1		
705	24	PK	D00819	45		31-51-41	D04511J	12		N2	2		
706	24	PK	D00819	10		31-51-41	D04349J	31		N2	2		
707	24	PK	D00819	21		31-51-41	D04509J	4		N2	2		
708	24	PK	D00819	9		31-51-41	D04349J	7		N2	2		
709	24	PK	D00819	39		31-51-41	SM00044		W	N2	1		
710	24	PK	D00819	43		31-51-41	SM00037		W	N2	1		
711	24	PK	D00819	12		31-51-41	D04349J	21		N2	2		
712	24	PK	D00819	53		31-51-41	D04349J	3		N2	2		
713	24	PK	D00819	20		31-51-41	D04347J	9		N2	2		
714	24	PK	D00819	44		31-51-41	D04349J	24		N2	2		
715	24	PK	D04507J	6		31-51-42	SM00019		W	N2	1		

286T0045-317
Wire Bundle Assembly
Figure 118 (Sheet 14)

25-71-02

WIRE			FROM EQUIPMENT			TO EQUIPMENT			WIRE INFO				
NUMBER	GA	TYP	NUMBER	TERM	TT	WDM REF	NUMBER	TERM	TT	EMC/ SEP	FT	NOTES	EFFECTIVITY
716	24	PK	D01433	34		31-51-42	SM00019		W	N2	1		
717	24	PK	D01433	37		31-51-42	SM00034		W	N2	1		
718	24	PK	D01433	39		31-51-42	D04509J	2		N2	2		
720	24	PK	D01433	52		31-51-42	SM00040		W	N2	1		
721	24	PK	D01433	38		31-51-42	D04347J	24		N2	2		
722	24	PK	D01433	5		31-51-42	D04349J	22		N2	2		
723	24	PK	D04511J	11		31-51-42	SM00038		W	N2	1		
724	24	PK	D01433	40		31-51-42	SM00038		W	N2	1		
725	24	PK	D01433	3		31-51-42	D04347J	13		N2	2		
726	22	PA	D04347J	14		31-51-21	SM00036		W	N2	1		
727	22	PA	D04301J	11		31-51-21	SM00035		W	N2	1		
728	24	PK	D04347J	1		31-51-41	D00819	35		N2	2		
729	24	PK	D04347J	2		31-51-41	D00819	1		N2	2		
730	24	PK	D04347J	3		31-51-41	D00819	36		N2	2		
731	24	PK	D04347J	4		31-51-41	D00819	2		N2	2		
732	24	PK	D04347J	5		31-51-42	D01433	20		N2	2		
733	24	PK	D04347J	16		34-16-11	D00821	65		N2	2		
734	24	PK	D04347J	8		31-51-31	SM00046		W	N2	1		
735	24	PK	D04507J	7		34-16-11	D00821	34		N2	2		
736	24	PK	D04507J	2		34-16-11	D00821	66		N2	2		
737	24	PK	SM00041		W	34-16-11	D00821	31		N2	1		
738	24	PK	D04347J	19		34-16-11	D00821	7		N2	2		
739	24	PK	SM00075		W	34-16-11	D00821	6		N2	1		
740	24	PK	SM00038		W	34-16-11	D00821	40		N2	1		
741	24	PK	D00821	18		34-16-11	D00821	22		N2	2		
742	24	PK	D00821	50		34-16-11	D00821	48		N2	2		
746	24	PK	D04597J	10		31-51-31	SM00043		W	N2	1		
747	24	PK	D01487	46		31-51-31	SM00043		W	N2	1		
748	24	PK	D04347J	7		31-51-31	SM00045		W	N2	1		
749	24	PK	D01487	10		31-51-31	SM00045		W	N2	1		
750	24	PK	D01487	19		31-51-31	SM00046		W	N2	1		
751	24	PK	D01487	13		31-51-31	SM00040		W	N2	1		
752	24	PK	D01487	47		31-51-31	SM00044		W	N2	1		

286T0045-317
Wire Bundle Assembly
Figure 118 (Sheet 15)

25-71-02



BOEING
COMPONENT
MAINTENANCE MANUAL

WIRE			FROM EQUIPMENT			TO EQUIPMENT			WIRE INFO				
NUMBER	GA	TYP	NUMBER	TERM	TT	WDM REF	NUMBER	TERM	TT	EMC/SEP	FT	NOTES	EFFECTIVITY
753	24	PK	D01487	51		31-51-31	SM00041		W	N2	1		
755	24	PV	D01487	1		31-51-31	SM00035		W	N2	1		
755Z			D01487	DED		31-51-31	SM00035	DED		N2			
756	24	PK	D01487	50		31-51-31	SM00036		W	N2	1		
757	24	PK	D01487	11		31-51-31	SM00039		W	N2	1		
758	24	PK	D01487	22		31-51-31	D01489	23		N2	2		
759	24	PK	D01487	55		31-51-31	D01489	47		N2	2		
760	24	PK	D01487	34		31-51-31	D01489	51		N2	2		
761	24	PK	D01487	66		31-51-31	D01489	57		N2	2		
762	24	PK	D00817	10		31-51-32	SM00045		W	N2	1		
763	24	PK	D00817	46		31-51-32	SM00043		W	N2	1		
764	24	PV	D00817	1		31-51-32	SM00035		W	N2	1		
764Z			D00817	DED		31-51-32	SM00035	DED		N2			
765	24	PK	D00817	50		31-51-32	SM00036		W	N2	1		
766	24	PV	D00817	11		31-51-32	SM00053		W	N2	1		
766Z			D00817	DED		31-51-32	SM00053	DED		N2			
767	24	PK	D00817	19		31-51-32	SM00046		W	N2	1		
768	24	PK	D00817	13		31-51-32	SM00040		W	N2	1		
769	24	PK	D00817	47		31-51-32	SM00044		W	N2	1		
770	24	PK	D00817	51		31-51-32	SM00041		W	N2	1		
772	24	PK	D00817	22		31-51-32	D01489	54		N2	2		
773	24	PK	D00817	55		31-51-32	D01489	13		N2	2		
774	24	PK	D00817	34		31-51-32	D01489	25		N2	2		
775	24	PK	D00817	66		31-51-32	D01489	58		N2	2		
776	24	PK	D01489	42		31-51-33	D04347J	15		N2	2		
777	24	PK	D01489	8		31-51-33	D04349J	13		N2	2		
779	24	PK	D01489	35		31-51-33	D04349J	40		N2	2		
780	24	PK	D01489	53		31-51-33	D04349J	2		N2	2		
781	24	PK	D01489	31		31-51-33	D01489	48		N2			
782	24	PK	D01489	18		31-51-33	D01489	22		N2			
783	24	PK	D01489	38		31-51-33	SM00008		W	N2	1		
784	24	PK	D01489	4		31-51-33	SM00011		W	N2	1		
785	24	PK	D01489	37		31-51-33	SM00012		W	N2	1		

286T0045-317
Wire Bundle Assembly
Figure 118 (Sheet 16)

25-71-02

WIRE			FROM EQUIPMENT			TO EQUIPMENT			WIRE INFO				
NUMBER	GA	TYP	NUMBER	TERM	TT	WDM REF	NUMBER	TERM	TT	EMC/SEP	FT	NOTES	EFFECTIVITY
786	24	PK	D01489	3		31-51-33	SM00010		W	N2	1		
787	24	PK	D01489	1		31-51-33	SM00009		W	N2	1		
788	24	PK	D01489	6		31-51-33	SM00034		W	N2	1		
789	24	PK	D01489	41		31-51-33	D04509J	11		N2	2		
791	24	PK	D01489	7		31-51-33	D04509J	10		N2	2		
792	24	PK	D01489	40		31-51-33	D04509J	9		N2	2		
793	24	PK	D00819	11		31-51-41	SM00075		W	N2	1		
794	20	PA	D04303J	10		31-51-32	GDX0004	S..	2	N2	2		
795	24	PK	D01433	9		31-51-42	D01433	48		N2	2		
796	24	PK	D01433	22		31-51-42	D01433	50		N2	2		
797	24	PV	D00815	41		31-51-21	SM00053		W	N2	1		
797Z			D00815	DED		31-51-21	SM00053	DED		N2	1		
798	24	PV	D04349J	9		31-51-21	SM00053		W	N2	1		
798Z			D04349J	DED		31-51-21	SM00053	DED		N2	1		
817	24	PK	D00823	55		27-32-12	D11553	6		N2	2		
818	24	PK	D00823	21		27-32-12	D11553	4		N2	2		
819	24	PK	D00823	51		27-32-12	D11553	3		N2	2		
820	24	PK	D00823	50		27-32-12	D11553	2		N2	2		
821	24	PK	D00823	49		27-32-12	D11553	7		N2	2		
822	24	PK	D00823	47		27-32-12	D11553	8		N2	2		
823	24	PK	D00823	46		27-32-12	D11553	9		N2	2		
824	24	PK	D00823	53		27-32-12	D11553	5		N2	2		
825	24	PK	D00823	62		27-32-12	D11553	24		N2	2		
826	24	PK	D01381	55		27-32-22	D11553	16		N2	2		
827	24	PK	D01381	21		27-32-22	D11553	14		N2	2		
828	24	PK	D01381	51		27-32-22	D11553	13		N2	2		
829	24	PK	D01381	50		27-32-22	D11553	12		N2	2		
830	24	PK	D01381	49		27-32-22	D11553	17		N2	2		
831	24	PK	D01381	47		27-32-22	D11553	18		N2	2		
832	24	PK	D01381	46		27-32-22	D11553	19		N2	2		
833	24	PK	D01381	53		27-32-22	D11553	15		N2	2		
834	24	PK	D01381	62		27-32-22	D11553	34		N2	2		
835	24	PK	D04349J	50		27-32-21	D01381	64		N2	2		

286T0045-317
Wire Bundle Assembly
Figure 118 (Sheet 17)

25-71-02



BOEING
COMPONENT
MAINTENANCE MANUAL

WIRE		FROM EQUIPMENT		TO EQUIPMENT		WIRE INFO								
NUMBER	GA	TYP	NUMBER	TERM	TT	WDM	REF	NUMBER	TERM	TT	EMC/ SEP	FT	NOTES	EFFECTIVITY
836	20	PA	D04349J	53		27-32-21		GDX0002	S..	2	N2	2		
837	24	PK	D00823	42		27-32-12		SM00082		W	N2	1		
838	24	PK	D01381	42		27-32-22		SM00085		W	N2	1		
842	24	PK	D01381	6		27-32-22		SM00085		W	N2	1		
843	24	PK	D00823	6		27-32-12		SM00082		W	N2	1		
862	22	PA	D02261	30		31-41-35		GDX0006	S..	2	N2	1		
863	22	PA	D02261	32		31-41-35		GDX0006	S..	2	N2	1		
864	22	PA	D02261	33		31-41-35		GDX0006	S..	2	N2	1		
865	22	PA	D02261	64		31-41-35		GDX0006	S..	2	N2	1		
866	24	PV	D02261	27		31-51-11		SM00018		W	N2	1		
866Z			D02261	DED		31-51-11		SM00018	REF		N2	1		
867	24	PV	D02261	28		31-51-11		SM00047		W	N2	1		
867Z			D02261	DED		31-51-11		SM00047	REF		N2	1		
868	24	PV	D02261	29		31-51-12		SM00054		W	N2	1		
868Z			D02261	DED		31-51-12		SM00054	REF		N2	1		
869	24	PK	D02261	34		31-51-12		SM00025		W	N2	1		
870	22	PA	D02261	56		31-51-12		GDX0001	S..	2	N2	2		
871	22	PA	D02261	57		31-51-12		GDX0003	S..	2	N2	2		
872	22	PA	D02261	59		31-51-11		GDX0005	S..	2	N2	1		
873	24	PV	D02261	60		31-51-12		SM00055		W	N2	1		
873Z			D02261	DED		31-51-12		SM00055	REF		N2	1		
874	24	PV	D02261	62		31-51-11		SM00049		W	N2	1		
874Z			D02261	DED		31-51-11		SM00049	REF		N2	1		
875	24	PV	D02261	63		31-51-12		SM00056		W	N2	1		
875Z			D02261	DED		31-51-12		SM00056	REF		N2	1		
876	24	PK	D02261	65		31-51-11		SM00022		W	N2	1		
877	24	PV	D00811	14		31-51-11		SM00018		W	N2	2		
877Z			D00811	DED		31-51-11		SM00018	REF		N2	2		
878	24	PV	D00811	48		31-51-11		SM00047		W	N2	2		
878Z			D00811	DED		31-51-11		SM00047	REF		N2	2		
879	24	PV	D00811	23		31-51-11		SM00049		W	N2	2		
879Z			D00811	DED		31-51-11		SM00049	REF		N2	2		
880	24	PV	D00813	14		31-51-12		SM00054		W	N2	2		

286T0045-317
Wire Bundle Assembly
Figure 118 (Sheet 18)

25-71-02

WIRE			FROM EQUIPMENT				TO EQUIPMENT				WIRE INFO			
NUMBER	GA	TYP	NUMBER	TERM	TT	WDM	REF	NUMBER	TERM	TT	EMC/SEP	FT	NOTES	EFFECTIVITY
880Z			D00813	DED		31-51-12		SM00054	REF		N2	2		
881	24	PV	D00813	48		31-51-12		SM00055		W	N2	2		
881Z			D00813	DED		31-51-12		SM00055	REF		N2	2		
882	24	PV	D00813	23		31-51-12		SM00056		W	N2	2		
882Z			D00813	DED		31-51-12		SM00056	REF		N2	2		
883	22	PA	D02261	15		38-32-11		D04349J	26		N2	2		
884	22	PA	D02261	47		38-32-11		D04347J	27		N2	2		
885	24	PK	D04303J	9		31-51-21		SM00057		W	N2	1		
886	24	PK	D04507J	3		31-51-21		SM00058		W	N2	1		
887	24	PK	D04507J	1		31-51-21		SM00058		W	N2	1		
888	24	PK	SM00057		W	31-51-21		D04349J	44		N2	1	PAJ-F2	

 286T0045-317
 Wire Bundle Assembly
 Figure 118 (Sheet 19)

25-71-02



BOEING
COMPONENT
MAINTENANCE MANUAL

WIRE		FROM EQUIPMENT			TO EQUIPMENT			WIRE INFO					
NUMBER	GA	TYP	NUMBER	TERM	TT	WDM REF	NUMBER	TERM	TT	EMC/SEP	FT	NOTES	EFFECTIVITY
FRA			M01103			31-51-12	M01103	GND	D	N2			
FRB			D00813			31-51-12	D00813	59		N2			
FRC			M01102			31-51-11	M01102	GND	D	N2			
FRD			D00811			31-51-11	D00811	59		N2			
FRG			D04349J	58		31-41-35	D04349J			N2			
FRH			D04349J	61		28-41-11	D04349J			N2			
PA1			D00815	47		99-99-99	D00815	63		N2		DAW-B2	
PA2			D00817	8		99-99-99	D00817	57		N2		DAW-B2	
PA3			D00819	41		99-99-99	D00819	55		N2		DAW-B2	
PA4			D00821	43		99-99-99	D00821	60		N2		DAW-B2	
PA5			D00823	52		99-99-99	D00823	65		N2		DAW-B2	
PA6			D01433	44		99-99-99	D01433	61		N2		DAW-B2	
PA7			D01381	52		99-99-99	D01381	65		N2		DAW-B2	
PA8			D01487	8		99-99-99	D01487	57		N2		DAW-B2	
PA9			D01489	56		99-99-99	D01489	65		N2		DAW-B2	
PB1			D01739	7		99-99-99	D01739	62		N2		DAW-B2	
PB2			D01741	7		99-99-99	D01741	62		N2		DAW-B2	
PB4			D02261	54		99-99-99	D02261	61		N2		DAW-B2	
P01		E	D11553							N2			
1	22	A	D00811	60		31-51-11	GDX0001		2	N2	3	UAE-F2	
2	22	A	D00821	14	W	31-51-11	GDX0002		2	N2	2		
3	24	V	SM00068			31-51-11	D00821	27		N2	1		
003Z			SM00068	REF		31-51-11	D00821			N2			
4	24	V	SM00069		W	31-51-11	D00821	32		N2	1		
004Z			SM00069	REF		31-51-11	D00821			N2			
5	24	V	D00811	35		31-51-11	D00821	17		N2	3		
005Z			D00811	DED		31-51-11	D00821			N2			
6	24	K	SM00022		W	31-51-11	D00821	51		N2	1		
7	24	K	D00811	65		31-51-11	SM00022		W	N2	2		
8	24	K	D00819	37		31-51-11	SM00022		W	N2	1		
9	24	V	D00819	27		31-51-11	D00811	13		N2	3		
009Z			D00811	DED		31-51-11	D00819			N2			
01A	24	K	D04349J	43		31-51-33	D01489	49		N2	2		

286T0045-319
Wire Bundle Assembly
Figure 119 (Sheet 1)

25-71-02

WIRE			FROM EQUIPMENT			TO EQUIPMENT			WIRE INFO				
NUMBER	GA	TYP	NUMBER	TERM	TT	WDM REF	NUMBER	TERM	TT	EMC/SEP	FT	NOTES	EFFECTIVITY
10	22	A	D00819	14		31-51-11	GDX0001	D..	2	N2	2		
11	24	K	D01433	51		31-51-11	SM00022	W		N2	1		
12	24	V	SM00018		W	31-51-11	D01433	27		N2	1		
012Z			SM00018	REF		31-51-11	D01433			N2			
13	24	V	SM00047		W	31-51-11	D01433	32		N2	1		
013Z			SM00047	REF		31-51-11	D01433			N2			
14	24	V	SM00049		W	31-51-11	D01433	17		N2	1		
014Z			SM00049	REF		31-51-11	D01433			N2			
15	22	A	D01433	14		31-51-11	GDX0001	D..	2	N2	2		
16	20	A	SM00028		W	31-51-11	GDX0005	D..	2	N2	2		
17	20	A	GDX0002	S..	2	31-51-11	D00821			N2	2		
18	20	A	GDX0005	S..	2	31-51-11	D00819			N2	2		
19	20	A	D01433			31-51-11	GDX0002	S..	2	N2	2		
20	20	A	GDX0005	D..	2	31-51-11	SM00029	W		N2	2		
21	20	A	GDX0002	S..	2	31-51-11	D01503			N2	2		
23	20	A	D00815			31-51-11	GDX0002	S..	2	N2	2		
24	24	K	D04349J	38		31-51-11	SM00005	W		N2	1		
25	24	K	D01503	A2		31-51-11	SM00005	W		N2	1		
26	20	A	D01503	A3		31-51-11	GDX0003	D..	2	N2	2		
27	22	Q	D01503	X2		31-51-11	D00811	75		N2	4		
027Z			D00811	DED		31-51-11	D01503			N2			
28	24	V	D01503	X1		31-51-11	SM00015		W	N2	1		
028Z			SM00015	REF		31-51-11	D01503			N2			
29	24	V	D00811	46		31-51-11	SM00015		W	N2	2		
029Z			SM00015	REF		31-51-11	D00811	DED		N2			
30	24	K	SM00015		W	31-51-11	D11553	35		N2	1		
32	20	A	D11553	11		31-51-11	GDX0003	D..	2	N2	2		
33	24	K	D11553	37		31-51-11	D00811	34		N2	4		
34	24	K	D11553	36		31-51-11	D00811	33		N2	4		
35	22	A	D00815	14		31-51-11	GDX0001	D..	2	N2	2		
36	24	V	D00815	27		31-51-11	D00811	12		N2	3		
036Z			D00815	DED		31-51-11	D00815			N2			
37	24	V	D00815	32		31-51-11	D00811	17		N2	3		

286T0045-319
Wire Bundle Assembly
Figure 119 (Sheet 2)

25-71-02



BOEING
COMPONENT
MAINTENANCE MANUAL

WIRE		FROM EQUIPMENT		TO EQUIPMENT		WIRE INFO							
NUMBER	GA	TYP	NUMBER	TERM	TT	WDM REF	NUMBER	TERM	TT	EMC/SEP	FT	NOTES	EFFECTIVITY
037Z			D00811	DED		31-51-11	D00815			N2			
38	24	V	D00815	17		31-51-11	D00811	22		N2	3		
038Z			D00811	DED		31-51-11	D00815			N2			
39	24	K	D00815	54		31-51-11	SM00020		W	N2	1		
40	24	K	D00811	63		31-51-11	SM00020		W	N2	2		
41	24	K	D00823	35		31-51-11	SM00020		W	N2	1		
42	24	K	D01381	35		31-51-11	SM00020		W	N2	1		
45	22	A	D01381	14		31-51-11	GDX0001	D.	2	N2	2		
46	22	A	D01381	48		31-51-11	GDX0003	D.	2	N2	2		
47	24	V	D01381	27		31-51-11	D00811	11		N2	3		
047Z			D00811	DED		31-51-11	D01381			N2			
48	24	V	D01381	32		31-51-11	D00811	16		N2	3		
048Z			D00811	DED		31-51-11	D01381			N2			
49	24	V	D01381	17		31-51-11	D00811	21		N2	3		
049Z			D00811	DED		31-51-11	D01381			N2			
52	22	A	D00823	14		31-51-11	GDX0001	D.	2	N2	2		
53	22	A	D00823	48		31-51-11	GDX0003	D.	2	N2	2		
54	24	V	D00823	27		31-51-11	D00811	10		N2	3		
054Z			D00811	DED		31-51-11	D00823			N2			
55	24	V	D00823	32		31-51-11	D00811	15		N2	3		
055Z			D00811	DED		31-51-11	D00823			N2			
56	24	V	D00823	17		31-51-11	D00811	20		N2	3		
056Z			D00811	DED		31-51-11	D00823			N2			
57	22	A	D00817	14		31-51-11	GDX0002	D.	2	N2	2		
58	24	V	D00817	27		31-51-11	D00811	51		N2	3		
058Z			D00811	DED		31-51-11	D00817			N2			
59	24	V	D00817	32		31-51-11	D00811	74		N2	3		
059Z			D00811	DED		31-51-11	D00817			N2			
60	24	K	D00817	45		31-51-11	SM00021		W	N2	1		
61	24	K	D00811	64		31-51-11	SM00021		W	N2	2		
62	24	K	D01489	16		31-51-11	SM00021		W	N2	1		
63	24	K	D01487	45		31-51-11	SM00021		W	N2	1		
64	24	V	D01487	27		31-51-11	D00811	47		N2	3		

286T0045-319
Wire Bundle Assembly
Figure 119 (Sheet 3)

25-71-02

WIRE		FROM EQUIPMENT			TO EQUIPMENT			WIRE INFO					
NUMBER	GA	TYP	NUMBER	TERM	TT	WDM REF	NUMBER	TERM	TT	EMC/SEP	FT	NOTES	EFFECTIVITY
064Z			D00811	DED		31-51-11	D01487			N2			
65	24	PV	D01487	32		31-51-11	D00811	70		N2	3		
065Z			D00811	DED		31-51-11	D01487			N2			
66	22	PA	D01487	14		31-51-11	GDX0003	D..	2	N2	2		
67	24	PV	D01489	27		31-51-11	D00811	45		N2	3		
067Z			D00811	DED		31-51-11	D01489			N2			
68	24	PV	D01489	32		31-51-11	D00811	50		N2	3		
068Z			D00811	DED		31-51-11	D01489			N2			
69	24	PV	D01489	17		31-51-11	D00811	36		N2	3		
069Z			D00811	DED		31-51-11	D01489			N2			
70	22	PA	D01489	14		31-51-11	GDX0003	D..	2	N2	2		
71	20	UA	D01381			31-51-11	GDX0002	S..	2	N2	2		
72	20	UA	D00823			31-51-11	GDX0002	S..	2	N2	2		
73	20	UA	D00817			31-51-11	GDX0002	S..	2	N2	2		
74	20	PA	SM00026		W	31-51-11	GDX0005	D..	2	N2	2		
75	20	UA	D01487			31-51-11	GDX0005	S..	2	N2	2		
76	20	UA	GDX0005	S..	2	31-51-11	D01489			N2	2		
77	24	PK	D02261	40		31-41-35	D04349J	1		N2	2		
78	20	PA	SM00027		W	31-51-11	GDX0005	D..	2	N2			
79	22	PA	D00813	60		31-51-12	GDX0003	S..	2	N2	3	UAE-F2	
80	22	PA	D00821	15		31-51-12	GDX0002	D..	2	N2	2		
81	24	PV	D00821	30		31-51-12	SM00073		W	N2	1		
081Z			D00821			31-51-12	SM00073	REF		N2			
82	24	PV	D00821	33		31-51-12	SM00074		W	N2	1		
082Z			D00821			31-51-12	SM00074	REF		N2			
83	24	PV	D00821	24		31-51-12	D00813	35		N2	3		
083Z			D00813	DED		31-51-12	D00821			N2			
84	24	PK	D00821	19		31-51-12	SM00025		W	N2	1		
85	24	PK	D00813	65		31-51-12	SM00025		W	N2	2		
86	24	PK	D00819	3		31-51-12	SM00025		W	N2	1		
87	24	PK	D01433	18		31-51-12	SM00025		W	N2	1		
88	22	PA	D01433	15		31-51-12	GDX0002	D..	2	N2	2		
89	24	PV	D01433	30		31-51-12	SM00054		W	N2	1		

286T0045-319
Wire Bundle Assembly
Figure 119 (Sheet 4)

25-71-02



BOEING
COMPONENT
MAINTENANCE MANUAL

WIRE		FROM EQUIPMENT			TO EQUIPMENT			WIRE INFO					
NUMBER	GA	TYP	NUMBER	TERM	TT	WDM REF	NUMBER	TERM	TT	EMC/SEP	FT	NOTES	EFFECTIVITY
089Z			SM00054	REF		31-51-12	D01433			N2	1		
90	24	V	D01433	33		31-51-12	SM00055		W	N2			
090Z			SM00055	REF		31-51-12	D01433			N2	1		
91	24	V	D01433	24		31-51-12	SM00056		W	N2			
091Z			SM00056	REF		31-51-12	D01433			N2	2		
92	22	A	D00819	15		31-51-12	GDX0002	D.	2	N2	3		
93	24	V	D00819	30		31-51-12	D00813	13		N2			
093Z			D00813	DED		31-51-12	D00819			N2			
94	20	A	SM00032		W	31-51-12	GDX0005	D.	2	N2			
95	24	V	D01505	X2		31-51-12	D00813	75		N2	3		
095Z			D00813	DED		31-51-12	D01505			N2			
96	24	V	D01505	X1		31-51-12	SM00016		W	N2	1		
096Z			SM00016	REF		31-51-12	D01505			N2			
97	24	V	D00813	46		31-51-12	SM00016		W	N2	2		
097Z			SM00016	REF		31-51-12	D00813	DED		N2			
98	20	A	SM00033		W	31-51-12	GDX0005	D.	2	N2	1		
99	24	K	SM00016		W	31-51-12	D11553	25		N2	2		
10A	24	K	D01489	21		31-51-33	D04349J	23		N2	2		
100	20	A	D11553	1		31-51-12	GDX0003	D.	2	N2	2		
101	20	A	D00821			31-51-12	GDX0004	S.	2	N2	2		
102	20	A	D00819			31-51-12	GDX0004	S.	2	N2	2		
103	20	A	D01433			31-51-12	GDX0004	S.	2	N2	2		
104	20	A	D01505			31-51-12	GDX0005	S.	2	N2	2		
106	20	A	D00815			31-51-12	GDX0004	S.	2	N2	2		
107	20	A	D01381			31-51-12	GDX0004	S.	2	N2	2		
109	20	A	D00817			31-51-12	GDX0004	S.	2	N2	2		
110	20	A	D01487			31-51-12	GDX0001	S.	2	N2	2		
111	20	A	D01489			31-51-12	GDX0001	S.	2	N2	2		
112	22	A	D00815	15		31-51-12	GDX0001	D.	2	N2	2		
113	24	K	D01505	A2		31-51-12	SM00005		W	N2	1		
114	20	A	D01505	A3		31-51-12	GDX0003	D.	2	N2	2		
115	24	K	D02261	21		21-61-51	D04347J	25		N2	2		
116	24	K	D00815	21		31-51-12	SM00023		W	N2	1		

286T0045-319
Wire Bundle Assembly
Figure 119 (Sheet 5)

25-71-02

WIRES			FROM EQUIPMENT			TO EQUIPMENT			WIRES INFO				
NUMBER	GA	TYP	NUMBER	TERM	TT	WDM REF	NUMBER	TERM	TT	EMC/SEP	FT	NOTES	EFFECTIVITY
117	24	K	D00813	63		31-51-12	SM00023		W	N2	2		
118	24	K	D00823	1		31-51-12	SM00023		W	N2	1		
119	24	K	D01381	1		31-51-12	SM00023		W	N2	1		
120	22	A	D01381	15		31-51-12	GDX0001	D.	2	N2	2		
121	24	K	D00817	56		31-51-12	SM00024		W	N2	1		
122	24	K	D00813	64		31-51-12	SM00024		W	N2	2		
123	24	K	D01487	56		31-51-12	SM00024		W	N2	1		
124	22	A	D00823	15		31-51-12	GDX0001	D.	2	N2	2		
125	20	A	D00823			31-51-12	GDX0004	S.	2	N2	2		
126	24	V	D00823	33		31-51-12	D00813	15		N2	3		
126Z			D00823			31-51-12	D00813	DED		N2			
127	24	V	D00823	24		31-51-12	D00813	20		N2	3		
127Z			D00823			31-51-12	D00813	DED		N2			
128	22	A	D00817	15		31-51-12	GDX0002	D.	2	N2	2		
129	24	V	D00817	30		31-51-12	D00813	51		N2	3		
129Z			D00817			31-51-12	D00813	DED		N2			
130	24	V	D00817	33		31-51-12	D00813	74		N2	3		
130Z			D00817			31-51-12	D00813	DED		N2			
131	24	V	D00813	11		31-51-12	D01381	30		N2	3		
131Z			D01381			31-51-12	D00813	DED		N2			
132	24	V	D00813	16		31-51-12	D01381	33		N2	3		
132Z			D01381			31-51-12	D00813	DED		N2			
133	24	V	D01381	24		31-51-12	D00813	21		N2	3		
133Z			D01381			31-51-12	D00813	DED		N2			
134	24	K	D01489	50		31-51-12	SM00024		W	N2	1		
135	24	V	D01487	30		31-51-12	D00813	47		N2	3		
135Z			D01487			31-51-12	D00813	DED		N2			
136	24	V	D01487	33		31-51-12	D00813	70		N2	3		
136Z			D01487			31-51-12	D00813	DED		N2			
137	22	A	D01487	15		31-51-12	GDX0003	D.	2	N2	2		
138	24	V	D01489	30		31-51-12	D00813	45		N2	3		
138Z			D01489			31-51-12	D00813	DED		N2			
139	24	V	D01489	33		31-51-12	D00813	50		N2	3		

286T0045-319
Wire Bundle Assembly
Figure 119 (Sheet 6)

25-71-02



BOEING
COMPONENT
MAINTENANCE MANUAL

WIRE		FROM EQUIPMENT			TO EQUIPMENT			WIRE INFO					
NUMBER	GA	TYP	NUMBER	TERM	TT	WDM REF	NUMBER	TERM	TT	EMC/SEP	FT	NOTES	EFFECTIVITY
139Z			D01489			31-51-12	D00813	DED		N2			
140	24	V	D01489	24		31-51-12	D00813	36		N2	3		
140Z			D01489			31-51-12	D00813	DED		N2			
141	22	A	D01489	15		31-51-12	GDX0003	D.	2	N2	2		
142	24	K	D00813	33		31-51-12	D11553	26		N2	3		
143	24	K	D11553	27		31-51-12	D00813	34		N2	3		
144	24	V	D00813	12		31-51-12	D00815	30		N2	3		
144Z			D00813	DED		31-51-12	D00815			N2			
145	20	A	SM00030		W	31-51-12	GDX0005	D.	2	N2			
146	24	V	D00813	17		31-51-12	D00815	33		N2	3		
146Z			D00813	DED		31-51-12	D00815			N2			
147	24	V	D00813	22		31-51-12	D00815	24		N2	3		
147Z			D00813	DED		31-51-12	D00815			N2			
148	24	V	D00813	10		31-51-12	D00823	30		N2	3		
148Z			D00813	DED		31-51-12	D00823			N2			
149	20	A	SM00031		W	31-51-12	GDX0005	D.	2	N2			
150	22	A	D04301J	6		27-32-11	D00823	34		N2	2		
151	24	K	D04509J	1		27-32-11	D00823	39		N2	2		
152	24	K	D04347J	26		27-32-11	D00823	40		N2	2		
153	24	K	D00823	31		27-32-11	D04509J	6		N2	2		
154	20	A	D04509J	7		27-32-11	GDX0001	D.	2	N2	2		
155	24	K	SM00037		W	27-32-11	D04511J	3		N2	1		
156	24	K	D00823	38		27-32-11	D04511J	2		N2	2		
157	24	K	D04511J	4		27-32-11	SM00050		W	N2	1		
158	24	K	SM00037		W	27-32-11	D00823	4		N2	1		
159	24	K	D04349J	14		27-32-11	D00823	36		N2	1		
160	24	K	D04349J	15		27-32-11	D00823	3		N2	1		
161	24	K	D04349J	16		27-32-11	D00823	43		N2	1		
162	24	K	D04349J	10		27-32-11	D00823	2		N2	1		
165	22	A	D04349J	11		27-32-21	D01381	34		N2	2		
166	24	K	D01381	40		27-32-21	D04349J	6		N2	2		
167	24	K	D01381	31		27-32-21	D04511J	7		N2	2		
168	20	A	GDX0002	D.	2	27-32-21	D04511J	8		N2	2		

286T0045-319
Wire Bundle Assembly
Figure 119 (Sheet 7)

25-71-02

WIRE			FROM EQUIPMENT				TO EQUIPMENT				WIRE INFO			
NUMBER	GA	TYP	NUMBER	TERM	TT	WDM REF	NUMBER	TERM	TT	EMC/SEP	FT	NOTES	EFFECTIVITY	
169	24	K	D04349J	34		27-32-21	D01381	36		N2	2			
170	24	K	D04349J	35		27-32-21	D01381	3		N2	2			
171	24	K	D04349J	36		27-32-21	D01381	43		N2	2			
172	24	K	D04349J	37		27-32-21	D01381	2		N2	2			
173	24	K	D04511J	13		27-32-21	D01381	4		N2	2			
174	24	K	D04511J	16		27-32-21	D01381	37		N2	2			
175	24	K	D04511J	15		27-32-21	D01381	38		N2	2			
176	24	K	D04509J	8		27-32-21	D01381	39		N2	2			
177	24	K	D00815	34		31-51-21	SM00057		W	N2	1			
178	24	K	D00815	43		31-51-21	D01433	19		N2	2			
179	24	K	D00815	10		31-51-21	D00819	5		N2	2			
180	24	K	D04507J	5		31-51-21	SM00034		W	N2	1			
181	24	K	SM00058		W	31-51-21	D00815	66		N2	1			
182	24	K	D00815	4		31-51-21	SM00034		W	N2	1			
183	24	K	D00815	11		31-51-21	D04349J	39		N2	2			
184	22	A	D00815	37		31-51-21	SM00035		W	N2	1			
185	22	A	D00815	42		31-51-21	SM00036		W	N2	1			
186	24	K	D04349J	5		31-51-21	SM00012		W	N2	1			
187	24	K	D00815	2		31-51-21	SM00012		W	N2	1			
188	24	K	SM00011		W	31-51-21	D04349J	4		N2	1			
189	24	K	SM00011		W	31-51-21	D00815	35		N2	1			
190	24	K	D04349J	12		31-51-21	SM00009		W	N2	1			
191	24	K	D00815	44		31-51-21	SM00009		W	N2	1			
192	24	K	D04347J	10		31-51-21	SM00008		W	N2	1			
193	24	K	D00815	1		31-51-21	SM00008		W	N2	1			
194	24	K	D04347J	11		31-51-21	SM00010		W	N2	1			
195	24	K	D00815	36		31-51-21	SM00010		W	N2	1			
196	24	K	SM00039		W	31-51-21	D04347J	21		N2	1			
197	24	K	D00815	45		31-51-21	SM00039		W	N2	1			
198	24	K	D00815	46		31-51-21	D04347J	6		N2	2			
199	20	A	GDX0004	S.	2	31-51-31	D04597J	14		N2	2			
201B	24	W	D01489	43		31-51-33	SM00004		W	N2	1			
201R	24	W	D01489	9		31-51-33	SM00003		W	N2				

286T0045-319

Wire Bundle Assembly
Figure 119 (Sheet 8)

25-71-02

TESTING & TROUBLE SHOOTING
01 Page 158R
Nov 01/02



BOEING
COMPONENT
MAINTENANCE MANUAL

WIRE			FROM EQUIPMENT			TO EQUIPMENT			WIRE INFO			
NUMBER	GA	TYP	NUMBER	TERM TT	WDM REF	NUMBER	TERM TT	ENC/SEP	FT	NOTES	EFFECTIVITY	
201Z			D01489	DED	31-51-33	SM00003	REF	N2				
204	20	A	D04507J		27-32-11	GDX0004	S.	N2	2			
204B	24	W	D00823	18	27-32-11	D04507J	12	N2	1			
204R	24	W	D00823	16	27-32-11	D04507J	11	N2				
204Z			D04507J		27-32-11	D00823	DED	N2				
205B	24	W	D00815	19	31-51-21	SM00007		N2	1			
205R	24	W	D00815	52	31-51-21	SM00006		N2				
205Z			D00815	DED	31-51-21	SM00006		N2				
207	20	A	D04597J		31-51-21	GDX0004	S.	N2	2			
207B	24	W	SM00007		31-51-21	D04597J	4	N2	1			
207R	24	W	SM00006		31-51-21	D04597J	3	N2				
207Z			SM00006		31-51-21	D04597J		N2				
208	20	A	D04301J		34-16-11	GDX0002	S.	N2	2			
208B	24	W	D00821	36	34-16-11	D04301J	9	N2	2			
208R	24	W	D00821	2	34-16-11	D04301J	8	N2				
208Z			D00821	DED	34-16-11	D04301J		N2				
209B	24	W	D01489	46	31-51-33	SM00007		N2	1			
209R	24	W	D01489	12	31-51-33	SM00006		N2				
209Z			D01489	DED	31-51-33	SM00006		N2				
212B	24	W	D01433	36	31-51-42	SM00007		N2	1			
212R	24	W	D01433	2	31-51-42	SM00006		N2				
212Z			D01433	DED	31-51-42	SM00006		N2				
213	20	A	D04507J		34-16-11	GDX0004	S.	N2	2			
213B	24	W	D00821	35	34-16-11	D04507J	8	N2	2			
213R	24	W	D00821	1	34-16-11	D04507J	9	N2				
213Z			D00821	DED	34-16-11	D04507J		N2				
214	20	A	D04349J		34-16-11	GDX0004	S.	N2	2			
214B	24	W	D00821	37	34-16-11	D04349J	19	N2	2			
214R	24	W	D00821	3	34-16-11	D04349J	18	N2				
214Z			D00821	DED	34-16-11	D04349J		N2				
215B	24	L	D01487	24	31-51-31	D04597J	12	N2	2			
215R	24	L	D01487	23	31-51-31	D04597J	13	N2				
216B	24	L	D00817	24	31-51-32	D04303J	12	N2	2			

286T0045-319
Wire Bundle Assembly
Figure 119 (Sheet 9)

25-71-02

WIRE			FROM EQUIPMENT			TO EQUIPMENT			WIRE INFO				
NUMBER	GA	TYP	NUMBER	TERM	TT	WDM REF	NUMBER	TERM	TT	EMC/SEP	FT	NOTES	EFFECTIVITY
216R	24	PL	D00817	23		31-51-32	D04303J	11		N2			
221B	24	PW	D01489	45		31-51-33	SM00004		W	N2	1		
221R	24	PW	D01489	11		31-51-33	SM00003	REF	W	N2			
221Z	24	PW	D01489	DED		31-51-33	SM00003	REF	W	N2	1		
223B	24	PW	D00821	38		34-16-11	SM00004		W	N2			
223R	24	PW	D00821	4		34-16-11	SM00003	REF	W	N2			
223Z	24	PW	D00821	DED		34-16-11	SM00003	REF	W	N2			
224	20	UA	D04349J			27-32-21	GDX0004	S..	2	N2	2		
224B	24	PW	D04349J	28		27-32-21	D01381	18		N2	2		
224R	24	PW	D04349J	27		27-32-21	D01381	16		N2			
224Z	24	PW	D04349J			27-32-21	D01381	DED		N2			
225B	22	PR	D00811	69		31-51-11	SM00060		W	N2	2		
225R	22	PR	D00811	68		31-51-11	SM00060		W	N2			
225Z	22	PR	D00811	DED		31-51-11	SM00028	REF		N2			
226B	22	PR	D00813	69		31-51-12	SM00061		W	N2	2		
226R	22	PR	D00813	68		31-51-12	SM00061		W	N2			
226Z	22	PR	D00813	DED		31-51-12	SM00030	REF		N2			
230	20	UA	D04347J			31-51-33	GDX0003	S..	2	N2	2		
230B	24	PW	D04347J	18		31-51-33	SM00004		W	N2	1		
230R	24	PW	D04347J	17		31-51-33	SM00003		W	N2			
230Z	24	PW	D04347J			31-51-33	SM00003	REF		N2			
236	20	UA	D04347J			27-32-11	GDX0001	S..	2	N2	2		
236B	24	PW	D04347J	37		27-32-11	D00823	54		N2	2		
236R	24	PW	D04347J	36		27-32-11	D00823	23		N2			
236Z	24	PW	D04347J			27-32-11	D00823	DED		N2			
237B	24	PW	D04347J	40		27-32-11	D00823	13		N2	2		
237R	24	PW	D04347J	39		27-32-11	D00823	12		N2			
237Z	24	PW	D04347J			27-32-11	D00823	DED		N2			
238	20	UA	D04349J			27-32-21	GDX0001	S..	2	N2	2		
238B	24	PW	D04349J	49		27-32-21	D01381	54		N2	2		
238R	24	PW	D04349J	48		27-32-21	D01381	23		N2			
238Z	24	PW	D04349J			27-32-21	D01381	DED		N2			
239B	24	PW	D01381	20		27-32-21	D04349J	55		N2	2		

286T0045-319
Wire Bundle Assembly
Figure 119 (Sheet 10)

25-71-02



BOEING
COMPONENT
MAINTENANCE MANUAL

WIRE			FROM EQUIPMENT			TO EQUIPMENT			WIRE INFO				
NUMBER	GA	TYP	NUMBER	TERM	TT	WDM REF	NUMBER	TERM	TT	EMC/SEP	FT	NOTES	EFFECTIVITY
239R	24	PW	D01381	19		27-32-21	D04349J	54		N2			
239Z			D01381	DED		27-32-21	D04349J			N2			
240B	24	PL	D04347J	23		31-51-31	SM00080		W	N2	1		
240R	24	PL	D04347J	22		31-51-31	SM00042		W	N2			
241B	24	PL	D01487	60		31-51-31	SM00080		W	N2	1		
241R	24	PL	D01487	28		31-51-31	SM00042		W	N2			
242B	24	PL	D00817	60		31-51-32	SM00080		W	N2	1		
242R	24	PL	D00817	28		31-51-32	SM00042		W	N2			
243B	24	PW	D04349J	52		27-32-21	D01381	13		N2	2		
243R	24	PW	D04349J	51		27-32-21	D01381	12		N2			
243Z			D04349J	DED		27-32-21	D01381	DED		N2			
245B	24	PW	D00823	20		27-32-11	D04347J	48		N2	2		
245R	24	PW	D00823	19		27-32-11	D04347J	47		N2			
245Z			D00823	DED		31-41-35	GDX0006	S..	2	N2	2		
247B	20	UA	D04349J	42		31-41-35	D04349J	57		N2	2		
247R	24	PW	D02261	43		31-41-35	D04349J	56		N2			
247Z			D02261	DED		31-41-35	D04349J			N2			
248	20	UA	D04349J	5		28-41-11	GDX0006	S..	2	N2	2		
248B	24	PW	D02261	5		28-41-11	D04349J	60		N2	2		
248R	24	PW	D02261	8		28-41-11	D04349J	59		N2			
248Z			D02261	DED		28-41-11	D04349J			N2			
271B	24	PL	D04597J	5		31-51-31	SM00088		W	N2	1		
271R	24	PL	D04597J	2		31-51-31	SM00087		W	N2			
272B	24	PL	D01487	63		31-51-31	SM00088		W	N2	1		
272R	24	PL	D01487	62		31-51-31	SM00087		W	N2			
273B	24	PL	D00817	63		31-51-32	SM00088		W	N2	1		
273R	24	PL	D00817	62		31-51-32	SM00087		W	N2			
290B	24	PW	D04597J	8		34-43-15	SM00104		W	N2	1		
290R	24	PW	D04597J	7		34-43-15	SM00103		W	N2			
290Z			D04597J	9		34-43-15	SM00103	REF		N2			
291B	24	PW	D04303J	4		34-43-15	SM00104		W	N2	1		
291R	24	PW	D04303J	3		34-43-15	SM00103		W	N2			

286T0045-319
Wire Bundle Assembly
Figure 119 (Sheet 11)

25-71-02

TESTING & TROUBLE SHOOTING
01

Page 158U
Nov 01/02

WIRE			FROM EQUIPMENT			TO EQUIPMENT			WIRE INFO			
NUMBER	GA	TYP	NUMBER	TERM TT	WDM REF	NUMBER	TERM TT	EMC/SEP	FT	NOTES	EFFECTIVITY	
291Z			D04303J	5	34-43-15	SM00103	REF	N2	1			
292B	24	PW	D04347J	53	34-43-15	SM00104		N2				
292R	24	PW	D04347J	51	34-43-15	SM00103		N2				
292Z			D04347J	61	34-43-15	SM00103	REF	N2				
301	20	UA	SM00028	REF	31-51-11	GDX0005	S..	N2	1			
301B	22	PS	D00811	57	31-51-11	SM00028		N2	2			
301R	22	PS	D00811	38	31-51-11	SM00028		N2				
301Y	22	PS	D00811	58	31-51-11	SM00028		N2				
301Z			D00811	DED	31-51-11	SM00028	REF	N2				
302B	22	PS	D00811	42	31-51-11	SM00029		N2	2			
302R	22	PS	D00811	41	31-51-11	SM00029		N2				
302Y	22	PS	D00811	43	31-51-11	SM00029		N2				
302Z			D00811	DED	31-51-11	SM00028	REF	N2				
303B	22	PS	D00811	8	31-51-11	SM00026		N2	2			
303R	22	PS	D00811	7	31-51-11	SM00026		N2				
303Y	22	PS	D00811	9	31-51-11	SM00026		N2				
303Z			D00811	DED	31-51-11	SM00028	REF	N2				
304B	22	PS	D00811	25	31-51-11	SM00027		N2	2			
304R	22	PS	D00811	24	31-51-11	SM00027		N2				
304Y	22	PS	D00811	37	31-51-11	SM00027		N2				
304Z			D00811	DED	31-51-11	SM00028	REF	N2				
305	20	UA	SM00030	REF	31-51-12	GDX0005	S..	N2	1			
305B	22	PS	D00813	8	31-51-12	SM00030		N2	2			
305R	22	PS	D00813	7	31-51-12	SM00030		N2				
305Y	22	PS	D00813	9	31-51-12	SM00030		N2				
305Z			D00813	DED	31-51-12	SM00030	REF	N2				
306B	22	PS	D00813	25	31-51-12	SM00031		N2	2			
306R	22	PS	D00813	24	31-51-12	SM00031		N2				
306Y	22	PS	D00813	37	31-51-12	SM00031		N2				
306Z			D00813	DED	31-51-12	SM00030	REF	N2				
307B	22	PS	D00813	57	31-51-12	SM00032		N2	2			
307R	22	PS	D00813	38	31-51-12	SM00032		N2				
307Y	22	PS	D00813	58	31-51-12	SM00032		N2				

286T0045-319
Wire Bundle Assembly
Figure 119 (Sheet 12)

25-71-02



BOEING
COMPONENT
MAINTENANCE MANUAL

WIRE		FROM EQUIPMENT			TO EQUIPMENT			WIRE INFO					
NUMBER	GA	TYP	NUMBER	TERM	TT	WDM REF	NUMBER	TERM	TT	EMC/SEP	FT	NOTES	EFFECTIVITY
307Z			D00813	DED		31-51-12	SM00030	REF		N2			
308B	22	PS	D00813	42		31-51-12	SM00033		W	N2	2		
308R	22	PS	D00813	41		31-51-12	SM00033		W	N2			
308Y	22	PS	D00813	43		31-51-12	SM00033		W	N2			
308Z			D00813	DED		31-51-12	SM00030	REF		N2			
512	24	PK	D02261	20		27-81-31	D04349J	8		N2	2		
601	20	PA	SM00060		W	31-51-11	GDX0004	D..	2	N2			
602	20	PA	SM00061		W	31-51-12	GDX0005	D..	2	N2			
603	24	FV	D04301J	5		31-51-12	M01103	INE	D	N2	1		
603Z			D04301J	DED		31-51-12	M01103			N2			
604	24	FV	D04301J	4		31-51-12	D00813	4		N2	3		
604Z			D04301J	DED		31-51-12	D00813			N2			
605	24	FV	D00813	1		31-51-12	M01103	OAD	D	N2	3		
605Z			D00813			31-51-12	M01103	DED		N2			
606	24	FV	D04349J	32		31-51-11	M01102	INE	D	N2	1		
606Z			D04349J	DED		31-51-11	M01102			N2			
607	24	FV	D04349J	33		31-51-11	D00811	4		N2	3		
607Z			D04349J	DED		31-51-11	D00811			N2			
608	24	FV	D00811	1		31-51-11	M01102	OAD	D	N2	3		
608Z			D00811			31-51-11	M01102	DED		N2			
610	24	PK	D00823	37		27-32-11	SM00050		W	N2	1		
611	24	PK	D01433	6		31-51-42	D04347J	20		N2	2		
612	24	PK	D01433	4		31-51-42	SM00050		W	N2	1		
613	24	PK	D04349J	30		31-51-31	SM00065		W	N2	1		
614	24	PK	D01487	52		31-51-31	SM00065		W	N2	1		
615	24	PK	D00817	52		31-51-32	SM00065		W	N2	1		
617	24	PK	D01381	11		27-32-12	D00823	56		N2	1		
618	24	PK	D01381	56		27-32-12	D00823	1.1		N2	1		
619	24	PK	D00823	45		27-32-12	SM00082		W	N2	1		
620	24	PK	D04349J	29		31-51-21	SM00071		W	N2	1		
621	24	PK	D00815	7		31-51-21	SM00071		W	N2	1		
622	24	PK	D01489	2		31-51-33	SM00071		W	N2	1		
623	24	PK	D01489	36		31-51-33	SM00038		W	N2	1		

286T0045-319
Wire Bundle Assembly
Figure 119 (Sheet 13)

25-71-02

WIRE			FROM EQUIPMENT			TO EQUIPMENT			WIRE INFO					
NUMBER	GA	TYP	NUMBER	TERM	TT	WDM	REF	NUMBER	TERM	TT	EMC/SEP	FT	NOTES	EFFECTIVITY
624	24	PK	D00815	8		31-51-21	SM00045			W	N2	1		
625	24	PK	D01487	9		31-51-31	SM00034			W	N2	1		
631	24	PK	D00817	9		31-51-32	SM00034			W	N2	1		
644	22	PQ	D00823	66		27-32-31	D04347J		42		N2	2		
644Z			D00823	DED		27-32-31	D04347J		DED		N2	2		
646	22	PQ	D01381	66		27-32-31	D04349J		42		N2	2		
646Z			D01381	DED		27-32-31	D04349J		DED		N2	2		
648	24	PK	D00821	40		34-16-11	D04347J		32		N2	2		
649	24	PK	SM00038		W	34-16-11	D04347J		33		N2	1		
652	24	PV	D00811	26		31-51-11	SM00068			W	N2	2		
652Z			D00811	DED		31-51-11	SM00068		REF		N2	2		
653	24	PV	D00811	49		31-51-11	SM00069			W	N2	2		
653Z			D00811	DED		31-51-11	SM00069		REF		N2	2		
654	24	PV	D01739	27		31-51-11	SM00068			W	N2	1		
654Z			D01739	DED		31-51-11	SM00068		REF		N2	2		
655	24	PV	D01739	32		31-51-11	SM00069			W	N2	1		
655Z			D01739	DED		31-51-11	SM00069		REF		N2	2		
656	24	PK	D01739	10		31-51-11	SM00022			W	N2	1		
657	22	PA	D01739	14		31-51-11	GDX0006		D..	2	N2	2		
658	24	PV	D01741	27		31-51-11	D00811		62		N2	3		
658Z			D01741	DED		31-51-11	D00811		DED		N2	2		
659	24	PV	D01741	32		31-51-11	D00811		76		N2	3		
659Z			D01741	DED		31-51-11	D00811		DED		N2	2		
660	20	UA	D01741			31-51-11	GDX0006		S..	2	N2	1		
661	24	PK	D01741	10		31-51-11	D00811		66		N2	3		
662	22	PA	D01741	14		31-51-11	GDX0006		D..	2	N2	1		
663	24	PV	D00813	26		31-51-12	SM00073			W	N2	2		
663Z			D00813	DED		31-51-12	SM00073		REF		N2	2		
664	24	PV	D00813	49		31-51-12	SM00074			W	N2	2		
664Z			D00813	DED		31-51-12	SM00074		REF		N2	2		
665	24	PV	D01739	30		31-51-12	SM00073			W	N2	1		
665Z			D01739	DED		31-51-12	SM00073		REF		N2	2		
666	24	PV	D01739	33		31-51-12	SM00074			W	N2	1		

286T0045-319
Wire Bundle Assembly
Figure 119 (Sheet 14)

25-71-02



BOEING
COMPONENT
MAINTENANCE MANUAL

WIRE			FROM EQUIPMENT			TO EQUIPMENT			WIRE INFO				
NUMBER	GA	TYP	NUMBER	TERM	TT	WDM REF	NUMBER	TERM	TT	EMC/SEP	FT	NOTES	EFFECTIVITY
666Z			D01739	DED		31-51-12	SM00074	REF		N2			
667	24	PK	D01739	9		31-51-12	SM00025		W	N2	1		
668	22	PA	D01739	15		31-51-12	GDX0006	D..	2	N2	2		
669	24	PV	D01741	30		31-51-12	D00813	62		N2	2		
669Z			D01741			31-51-12	D00813	DED		N2			
670	24	PV	D01741	33		31-51-12	D00813	76		N2	2		
670Z			D01741			31-51-12	D00813	DED		N2			
671	20	UA	D01741			31-51-12	GDX0006	S..	2	N2	1		
672	24	PK	D01741	9		31-51-12	D00813	66		N2	2		
673	22	PA	D01741	15		31-51-12	GDX0006	D..	2	N2	1		
674	24	PK	D01739	24		31-51-31	D01487	53		N2	2		
675	24	PK	D01741	24		31-51-32	D00817	53		N2	2		
676	24	PK	D01739	1		31-51-35	SM00036		W	N2	1		
677	24	PK	D01739	3		31-51-35	SM00035		W	N2	1		
679	24	PK	D01741	1		31-51-36	SM00036		W	N2	1		
680	24	PK	D01741	3		31-51-36	SM00035		W	N2	1		
681	24	PK	D01433	10		31-51-43	D04507J	10		N2	2		
682	24	PK	D01433	13		31-51-43	D04347J	46		N2	2		
683	22	PA	D01433	41		31-51-43	SM00081		W	N2	1		
684	20	PA	GDX0001	D..	2	31-51-43	D04349J	47		N2	2		
685	24	PK	D00823	58		27-32-12	D01505	A1		N2	2		
686	24	PK	D00823	8		27-32-11	SM00038		W	N2	1		
687	24	PK	D00823	64		27-32-11	SM00081		W	N2	1		
688	24	PK	D01381	58		27-32-22	D01503	A1		N2	2		
689	24	PK	D01381	45		27-32-22	SM00085		W	N2	1		
692	24	PK	D01381	8		27-32-21	SM00038		W	N2	1		
693	24	PK	D04347J	30		31-51-21	D00815	6		N2	2		
694	22	PA	D04349J	46		31-51-43	SM00081		W	N2	1		
696	20	PA	GDX0003	D..	2	27-32-12	SM00082		W	N2	1		
697	20	PA	GDX0003	D..	2	27-32-22	SM00085		W	N2	1		
701	24	PK	D00815	49		31-51-21	D00815	22		N2			
702	24	PK	D00815	16		31-51-21	D00815	48		N2			
703	24	PK	D00819	6		31-51-41	SM00019		W	N2	1		

286T0045-319
Wire Bundle Assembly
Figure 119 (Sheet 15)

25-71-02

WIRE			FROM EQUIPMENT			TO EQUIPMENT			WIRE INFO				
NUMBER	GA	TYP	NUMBER	TERM	TT	WDM REF	NUMBER	TERM	TT	EMC/SEP	FT	NOTES	EFFECTIVITY
704	24	PK	SM00075		W	31-51-41	D04511J	14		N2	1		
705	24	PK	D00819	45		31-51-41	D04511J	12		N2	2		
706	24	PK	D00819	10		31-51-41	D04349J	31		N2	2		
707	24	PK	D00819	21		31-51-41	D04509J	4		N2	2		
708	24	PK	D00819	9		31-51-41	D04349J	7		N2	2		
709	24	PK	D00819	39		31-51-41	SM00044		W	N2	1		
710	24	PK	D00819	43		31-51-41	SM00037		W	N2	1		
711	24	PK	D00819	12		31-51-41	D04349J	21		N2	2		
712	24	PK	D00819	53		31-51-41	D04349J	3		N2	2		
713	24	PK	D00819	20		31-51-41	D04347J	9		N2	2		
714	24	PK	D00819	44		31-51-41	D04349J	24		N2	2		
715	24	PK	D04507J	6		31-51-42	SM00019		W	N2	1		
716	24	PK	D01433	34		31-51-42	SM00019		W	N2	1		
717	24	PK	D01433	37		31-51-42	SM00034		W	N2	1		
718	24	PK	D01433	39		31-51-42	D04509J	2		N2	2		
720	24	PK	D01433	52		31-51-42	SM00040		W	N2	1		
721	24	PK	D01433	38		31-51-42	D04347J	24		N2	2		
722	24	PK	D01433	5		31-51-42	D04349J	22		N2	2		
723	24	PK	D04511J	11		31-51-42	SM00038		W	N2	1		
724	24	PK	D01433	40		31-51-42	SM00038		W	N2	1		
725	24	PK	D01433	3		31-51-42	D04347J	13		N2	2		
726	22	PA	D04347J	14		31-51-21	SM00036		W	N2	1		
727	22	PA	D04301J	11		31-51-21	SM00035		W	N2	1		
728	24	PK	D04347J	1		31-51-41	D00819	35		N2	2		
729	24	PK	D04347J	2		31-51-41	D00819	1		N2	2		
730	24	PK	D04347J	3		31-51-41	D00819	36		N2	2		
731	24	PK	D04347J	4		31-51-41	D00819	2		N2	2		
732	24	PK	D04347J	5		31-51-42	D01433	20		N2	2		
733	24	PK	D04347J	16		34-16-11	D00821	65		N2	2		
734	24	PK	D04347J	8		31-51-31	SM00046		W	N2	1		
735	24	PK	D04507J	7		34-16-11	D00821	34		N2	2		
736	24	PK	D04507J	2		34-16-11	D00821	66		N2	2		
737	24	PK	SM00041		W	34-16-11	D00821	31		N2	1		

 286T0045-319
 Wire Bundle Assembly
 Figure 119 (Sheet 16)

25-71-02



BOEING
COMPONENT
MAINTENANCE MANUAL

WIRE			FROM EQUIPMENT			TO EQUIPMENT			WIRE INFO				
NUMBER	GA	TYP	NUMBER	TERM	TT	WDM REF	NUMBER	TERM	TT	EMC/SEP	FT	NOTES	EFFECTIVITY
738	24	PK	D04347J	19		34-16-11	D00821	7		N2	2		
739	24	PK	SM00075		W	34-16-11	D00821	6		N2	1		
741	24	PK	D00821	18		34-16-11	D00821	22		N2			
742	24	PK	D00821	50		34-16-11	D00821	48		N2			
746	24	PK	D04597J	10		31-51-31	SM00043		W	N2	1		
747	24	PK	D01487	46		31-51-31	SM00043		W	N2	1		
748	24	PK	D04347J	7		31-51-31	SM00045		W	N2	1		
749	24	PK	D01487	10		31-51-31	SM00045		W	N2	1		
750	24	PK	D01487	19		31-51-31	SM00046		W	N2	1		
751	24	PK	D01487	13		31-51-31	SM00040		W	N2	1		
752	24	PK	D01487	47		31-51-31	SM00044		W	N2	1		
753	24	PK	D01487	51		31-51-31	SM00041		W	N2	1		
757	24	PK	D01487	11		31-51-31	SM00039		W	N2	1		
758	24	PK	D01487	22		31-51-31	D01489	23		N2	2		
759	24	PK	D01487	55		31-51-31	D01489	47		N2	2		
760	24	PK	D01487	34		31-51-31	D01489	51		N2	2		
761	24	PK	D01487	66		31-51-31	D01489	57		N2	2		
762	24	PK	D00817	10		31-51-32	SM00045		W	N2	1		
763	24	PK	D00817	46		31-51-32	SM00043		W	N2	1		
766	24	PV	D00817	11		31-51-32	SM00053		W	N2	1		
766Z			D00817	DED		31-51-32	SM00053	DED		N2			
767	24	PK	D00817	19		31-51-32	SM00046		W	N2	1		
768	24	PK	D00817	13		31-51-32	SM00040		W	N2	1		
769	24	PK	D00817	47		31-51-32	SM00044		W	N2	1		
770	24	PK	D00817	51		31-51-32	SM00041		W	N2	1		
772	24	PK	D00817	22		31-51-32	D01489	54		N2	2		
773	24	PK	D00817	55		31-51-32	D01489	13		N2	2		
774	24	PK	D00817	34		31-51-32	D01489	25		N2	2		
775	24	PK	D00817	66		31-51-32	D01489	58		N2	2		
776	24	PK	D01489	42		31-51-33	D04347J	15		N2	2		
777	24	PK	D01489	8		31-51-33	D04349J	13		N2	2		
779	24	PK	D01489	35		31-51-33	D04349J	40		N2	2		
780	24	PK	D01489	53		31-51-33	D04349J	2		N2	2		

286T0045-319
Wire Bundle Assembly
Figure 119 (Sheet 17)

25-71-02

WIRE			FROM EQUIPMENT			TO EQUIPMENT			WIRE INFO				
NUMBER	GA	TYP	NUMBER	TERM	TT	WDM REF	NUMBER	TERM	TT	EMC/SEP	FT	NOTES	EFFECTIVITY
781	24	PK	D01489	31		31-51-33	D01489	48		N2			
782	24	PK	D01489	18		31-51-33	D01489	22		N2			
783	24	PK	D01489	38		31-51-33	SM00008		W	N2	1		
784	24	PK	D01489	4		31-51-33	SM00011		W	N2	1		
785	24	PK	D01489	37		31-51-33	SM00012		W	N2	1		
786	24	PK	D01489	3		31-51-33	SM00010		W	N2	1		
787	24	PK	D01489	1		31-51-33	SM00009		W	N2	1		
788	24	PK	D01489	6		31-51-33	SM00034		W	N2	1		
789	24	PK	D01489	41		31-51-33	D04509J	11		N2	2		
791	24	PK	D01489	7		31-51-33	D04509J	10		N2	2		
792	24	PK	D01489	40		31-51-33	D04509J	9		N2	2		
793	24	PK	D00819	11		31-51-41	SM00075		W	N2	1		
794	20	PA	D04303J	10		31-51-32	GDX0004	S..	2	N2	2		
795	24	PK	D01433	9		31-51-42	D01433	48		N2			
796	24	PK	D01433	22		31-51-42	D01433	50		N2			
797	24	PV	D00815	41		31-51-21	SM00053		W	N2	1		
797Z			D00815	DED		31-51-21	SM00053	DED		N2			
798	24	PV	D04349J	9		31-51-21	SM00053		W	N2	1		
798Z			D04349J	DED		31-51-21	SM00053	DED		N2			
817	24	PK	D00823	55		27-32-12	D11553	6		N2	2		
818	24	PK	D00823	21		27-32-12	D11553	4		N2	2		
819	24	PK	D00823	51		27-32-12	D11553	3		N2	2		
820	24	PK	D00823	50		27-32-12	D11553	2		N2	2		
821	24	PK	D00823	49		27-32-12	D11553	7		N2	2		
822	24	PK	D00823	47		27-32-12	D11553	8		N2	2		
823	24	PK	D00823	46		27-32-12	D11553	9		N2	2		
824	24	PK	D00823	53		27-32-12	D11553	5		N2	2		
825	24	PK	D00823	62		27-32-12	D11553	24		N2	2		
826	24	PK	D01381	55		27-32-22	D11553	16		N2	2		
827	24	PK	D01381	21		27-32-22	D11553	14		N2	2		
828	24	PK	D01381	51		27-32-22	D11553	13		N2	2		
829	24	PK	D01381	50		27-32-22	D11553	12		N2	2		
830	24	PK	D01381	49		27-32-22	D11553	17		N2	2		

286T0045-319
Wire Bundle Assembly
Figure 119 (Sheet 18)

25-71-02



BOEING
COMPONENT
MAINTENANCE MANUAL

WIRE			FROM EQUIPMENT			TO EQUIPMENT			WIRE INFO				
NUMBER	GA	TYP	NUMBER	TERM	TT	WDM REF	NUMBER	TERM	TT	EMC/SEP	FT	NOTES	EFFECTIVITY
831	24	PK	D01381	47		27-32-22	D11553	18		N2	2		
832	24	PK	D01381	46		27-32-22	D11553	19		N2	2		
833	24	PK	D01381	53		27-32-22	D11553	15		N2	2		
834	24	PK	D01381	62		27-32-22	D11553	34		N2	2		
835	24	PK	D04349J	50		27-32-21	D01381	64		N2	2		
836	20	PA	D04349J	53		27-32-21	GDX0002	S..	2	N2	2		
837	24	PK	D00823	42		27-32-12	SM00082		W	N2	1		
838	24	PK	D01381	42		27-32-22	SM00085		W	N2	1		
842	24	PK	D01381	6		27-32-22	SM00085		W	N2	1		
843	24	PK	D00823	6		27-32-12	SM00082		W	N2	1		
852	22	PA	D02261	30		31-41-35	GDX0006	S..	2	N2	1		
853	22	PA	D02261	32		31-41-35	GDX0006	S..	2	N2	1		
854	22	PA	D02261	33		31-41-35	GDX0006	S..	2	N2	1		
855	22	PA	D02261	64		31-41-35	GDX0006	S..	2	N2	1		
856	24	PV	D02261	27		31-51-11	SM00018		W	N2	1		
866Z			D02261	DED		31-51-11	SM00018	REF		N2			
867	24	PV	D02261	28		31-51-11	SM00047		W	N2	1		
867Z			D02261	DED		31-51-11	SM00047	REF		N2			
868	24	PV	D02261	29		31-51-12	SM00054		W	N2	1		
868Z			D02261	DED		31-51-12	SM00054	REF		N2			
869	24	PK	D02261	34		31-51-12	SM00025		W	N2	1		
870	22	PA	D02261	56		31-51-12	GDX0001	S..	2	N2	2		
871	22	PA	D02261	57		31-51-12	GDX0003	S..	2	N2	2		
872	22	PA	D02261	59		31-51-11	GDX0005	S..	2	N2	1		
873	24	PV	D02261	60		31-51-12	SM00055		W	N2	1		
873Z			D02261	DED		31-51-12	SM00055	REF		N2			
874	24	PV	D02261	62		31-51-11	SM00049		W	N2	1		
874Z			D02261	DED		31-51-11	SM00049	REF		N2			
875	24	PV	D02261	63		31-51-12	SM00056		W	N2	1		
875Z			D02261	DED		31-51-12	SM00056	REF		N2			
876	24	PK	D02261	65		31-51-11	SM00022		W	N2	1		
877	24	PV	D00811	14		31-51-11	SM00018		W	N2	2		
877Z			D00811	DED		31-51-11	SM00018	REF		N2			

286T0045-319
Wire Bundle Assembly
Figure 119 (Sheet 19)

25-71-02

WIRE		FROM EQUIPMENT			TO EQUIPMENT			WIRE INFO					
NUMBER	GA	TYP	NUMBER	TERM	TT	WDM REF	NUMBER	TERM	TT	EMC/SEP	FT	NOTES	EFFECTIVITY
878	24	PV	D00811	48		31-51-11	SM00047		W	N2	2		
878Z			D00811	DED		31-51-11	SM00047	REF		N2			
879	24	PV	D00811	23		31-51-11	SM00049		W	N2	2		
879Z			D00811	DED		31-51-11	SM00049	REF		N2			
880	24	PV	D00813	14		31-51-12	SM00054		W	N2	2		
880Z			D00813	DED		31-51-12	SM00054	REF		N2			
881	24	PV	D00813	48		31-51-12	SM00055		W	N2	2		
881Z			D00813	DED		31-51-12	SM00055	REF		N2			
882	24	PV	D00813	23		31-51-12	SM00056		W	N2	2		
882Z			D00813	DED		31-51-12	SM00056	REF		N2			
883	22	PA	D02261	15		38-32-11	D04349J	26		N2	2		
884	22	PA	D02261	47		38-32-11	D04347J	27		N2	2		
885	24	PK	D04303J	9		31-51-21	SM00057		W	N2	1		
886	24	PK	D04507J	3		31-51-21	SM00058		W	N2	1		
887	24	PK	D04507J	1		31-51-21	SM00058		W	N2	1		
888	24	PK	SM00057		W	31-51-21	D04349J	44		N2	1		

 286T0045-319
 Wire Bundle Assembly
 Figure 119 (Sheet 20)

25-71-02



BOEING
COMPONENT
MAINTENANCE MANUAL

WIRE			FROM EQUIPMENT			TO EQUIPMENT			WIRE INFO				
NUMBER	GA	TYP	NUMBER	TERM	TT	WDM REF	NUMBER	TERM	TT	EMC/SEP	FT	NOTES	EFFECTIVITY
FRA			M01103			31-51-12	M01103	GND	D	N2			
FRB			D00813			31-51-12	D00813	59		N2			
FRC			M01102			31-51-11	M01102	GND	D	N2			
FRD			D00811			31-51-11	D00811	59		N2			
FRG			D04349J	58		31-41-35	D04349J			N2			
FRH			D04349J	61		28-41-11	D04349J			N2			
PA1			D00815	47		99-99-99	D00815	63		N2		DAW-B2	
PA2			D00817	8		99-99-99	D00817	57		N2		DAW-B2	
PA3			D00819	41		99-99-99	D00819	55		N2		DAW-B2	
PA4			D00821	43		99-99-99	D00821	60		N2		DAW-B2	
PA5			D00823	52		99-99-99	D00823	65		N2		DAW-B2	
PA6			D01433	44		99-99-99	D01433	61		N2		DAW-B2	
PA7			D01381	52		99-99-99	D01381	65		N2		DAW-B2	
PA8			D01487	8		99-99-99	D01487	57		N2		DAW-B2	
PA9			D01489	56		99-99-99	D01489	65		N2		DAW-B2	
PB4			D02261	54		99-99-99	D02261	61		N2		DAW-B2	
P01		SE	D11553							N2			
1	22	PA	D00811	60		31-51-11	GDX0001	S.	2	N2	3	UAE-F2	
2	22	PA	D00821	14		31-51-11	GDX0002	D.	2	N2	2		
3	24	PV	D00811	26		31-51-11	D00821	27		N2	3		
003Z			D00811	DED		31-51-11	D00821			N2			
4	24	PV	D00811	49		31-51-11	D00821	32		N2	3		
004Z			D00811	DED		31-51-11	D00821			N2			
5	24	PV	D00811	35		31-51-11	D00821	17		N2	3		
005Z			D00811	DED		31-51-11	D00821			N2			
6	24	PK	SM00022		W	31-51-11	D00821	51		N2	1		
7	24	PK	D00811	65		31-51-11	SM00022		W	N2	2		
8	24	PK	D00819	37		31-51-11	SM00022		W	N2	1		
9	24	PV	D00819	27		31-51-11	D00811	13		N2	3		
009Z			D00811	DED		31-51-11	D00819			N2			
01A	24	PK	D04349J	43		31-51-33	D01489	49		N2	2		
10	22	PA	D00819	14		31-51-11	GDX0001	D.	2	N2	2		
11	24	PK	D01433	51		31-51-11	SM00022		W	N2	1		

286T0045-320
Wire Bundle Assembly
Figure 120 (Sheet 1)

25-71-02

WIRE			FROM EQUIPMENT				TO EQUIPMENT				WIRE INFO			
NUMBER	GA	TYP	NUMBER	TERM	TT	WDM REF	NUMBER	TERM	TT	EMC/SEP	FT	NOTES	EFFECTIVITY	
12	24	PV	SM00018		W	31-51-11	D01433	27		N2	1			
012Z			SM00018	REF		31-51-11	D01433			N2				
13	24	PV	SM00047		W	31-51-11	D01433	32		N2	1			
013Z			SM00047	REF		31-51-11	D01433			N2				
14	24	PV	SM00049		W	31-51-11	D01433	17		N2	1			
014Z			SM00049	REF		31-51-11	D01433			N2				
15	22	PA	D01433	14	W	31-51-11	GDX0001	D.	2	N2	2			
16	20	PA	SM00028			31-51-11	GDX0005	D.	2	N2	2			
17	20	UA	GDX0002	S..	2	31-51-11	D00821			N2	2			
18	20	UA	GDX0005	S..	2	31-51-11	D00819			N2	2			
19	20	UA	D01433			31-51-11	GDX0002	S.	2	N2	2			
20	20	PA	GDX0005	D..	2	31-51-11	SM00029		W	N2	2			
21	20	UA	GDX0002	S..	2	31-51-11	D01503			N2	2			
23	20	UA	D00815			31-51-11	GDX0002	S.	2	N2	2			
24	24	PK	D04349J	38		31-51-11	SM00005		W	N2	1			
25	24	PK	D01503	A2		31-51-11	SM00005		W	N2	1			
26	20	PA	D01503	A3		31-51-11	GDX0003	D.	2	N2	2			
27	22	PQ	D01503	X2		31-51-11	D00811	75		N2	4			
027Z			D00811	DED		31-51-11	D01503			N2				
28	24	PV	D01503	X1		31-51-11	SM00015		W	N2	1			
028Z			SM00015	REF		31-51-11	D01503			N2	2			
29	24	PV	D00811	46		31-51-11	SM00015		W	N2	2			
029Z			SM00015	REF		31-51-11	D00811	DED		N2				
30	24	PK	SM00015		W	31-51-11	D00811			N2	1			
32	20	PA	D11553	11		31-51-11	D11553	35		N2	2			
33	24	PK	D11553	37		31-51-11	GDX0003	D.	2	N2	2			
34	24	PK	D11553	36		31-51-11	D00811	34		N2	4			
35	22	PA	D00815	14		31-51-11	D00811	33		N2	4			
36	24	PV	D00815	27		31-51-11	GDX0001	D.	2	N2	2			
036Z			D00811	DED		31-51-11	D00811	12		N2	3			
37	24	PV	D00815	32		31-51-11	D00815	17		N2	3			
037Z			D00811	DED		31-51-11	D00815			N2				
38	24	PV	D00815	17		31-51-11	D00811	22		N2	3			

286T0045-320
Wire Bundle Assembly
Figure 120 (Sheet 2)

25-71-02



BOEING
COMPONENT
MAINTENANCE MANUAL

WIRE		FROM EQUIPMENT		TO EQUIPMENT		WIRE INFO							
NUMBER	GA	TYP	NUMBER	TERM	TT	WDM REF	NUMBER	TERM	TT	EMC/SEP	FT	NOTES	EFFECTIVITY
038Z			D00811	DED		31-51-11	D00815			N2			
39	24	PK	D00815	54		31-51-11	SM00020	W		N2	1		
40	24	PK	D00811	63		31-51-11	SM00020	W		N2	2		
41	24	PK	D00823	35		31-51-11	SM00020	W		N2	1		
42	24	PK	D01381	35		31-51-11	SM00020	W		N2	1		
45	22	PA	D01381	14		31-51-11	GDX0001	D.		N2	2		
46	22	PA	D01381	48		31-51-11	GDX0003	D.		N2	2		
47	24	PV	D01381	27		31-51-11	D00811	11		N2	3		
047Z			D00811	DED		31-51-11	D01381			N2			
48	24	PV	D01381	32		31-51-11	D00811	16		N2	3		
048Z			D00811	DED		31-51-11	D01381			N2			
49	24	PV	D01381	17		31-51-11	D00811	21		N2	3		
049Z			D00811	DED		31-51-11	D01381			N2			
52	22	PA	D00823	14		31-51-11	GDX0001	D.		N2	2		
53	22	PA	D00823	48		31-51-11	GDX0003	D.		N2	2		
54	24	PV	D00823	27		31-51-11	D00811	10		N2	3		
054Z			D00811	DED		31-51-11	D00823			N2			
55	24	PV	D00823	32		31-51-11	D00811	15		N2	3		
055Z			D00811	DED		31-51-11	D00823			N2			
56	24	PV	D00823	17		31-51-11	D00811	20		N2	3		
056Z			D00811	DED		31-51-11	D00823			N2			
57	22	PA	D00817	14		31-51-11	GDX0002	D.		N2	2		
58	24	PV	D00817	27		31-51-11	D00811	51		N2	3		
058Z			D00811	DED		31-51-11	D00817			N2			
59	24	PV	D00817	32		31-51-11	D00811	74		N2	3		
059Z			D00811	DED		31-51-11	D00817			N2			
60	24	PK	D00817	45		31-51-11	SM00021	W		N2	1		
61	24	PK	D00811	64		31-51-11	SM00021	W		N2	2		
62	24	PK	D01489	16		31-51-11	SM00021	W		N2	1		
63	24	PK	D01487	45		31-51-11	SM00021	W		N2	1		
64	24	PV	D01487	27		31-51-11	D00811	47		N2	3		
064Z			D00811	DED		31-51-11	D01487			N2			
65	24	PV	D01487	32		31-51-11	D00811	70		N2	3		

286T0045-320
Wire Bundle Assembly
Figure 120 (Sheet 3)

25-71-02

WIRE			FROM EQUIPMENT				TO EQUIPMENT				WIRE INFO			
NUMBER	GA	TYP	NUMBER	TERM	TT	WDM REF	NUMBER	TERM	TT	EMC/SEP	FT	NOTES	EFFECTIVITY	
065Z			D00811	DED		31-51-11	D01487			N2				
66	22	PA	D01487	14		31-51-11	GDX0003	D..	2	N2	2			
67	24	PV	D01489	27		31-51-11	D00811	45		N2	3			
067Z			D00811	DED		31-51-11	D01489			N2				
68	24	PV	D01489	32		31-51-11	D00811	50		N2	3			
068Z			D00811	DED		31-51-11	D01489			N2				
69	24	PV	D01489	17		31-51-11	D00811	36		N2	3			
069Z			D00811	DED		31-51-11	D01489			N2				
70	22	PA	D01489	14		31-51-11	GDX0003	D..	2	N2	2			
71	20	UA	D01381			31-51-11	GDX0002	S..	2	N2	2			
72	20	UA	D00823			31-51-11	GDX0002	S..	2	N2	2			
73	20	UA	D00817			31-51-11	GDX0002	S..	2	N2	2			
74	20	PA	SM00026		W	31-51-11	GDX0005	D..	2	N2	2			
75	20	UA	D01487			31-51-11	GDX0005	S..	2	N2	2			
76	20	UA	GDX0005	S..	2	31-51-11	D01489			N2	2			
77	24	PK	D02261	40		31-41-35	D04349J	1		N2	2			
78	20	PA	SM00027		W	31-51-11	GDX0005	D..	2	N2	2			
79	22	PA	D00813	60		31-51-12	GDX0003	S..	2	N2	3			
80	22	PA	D00821	15		31-51-12	GDX0002	D..	2	N2	2			
81	24	PV	D00821	30		31-51-12	D00813	26		N2	3			
081Z			D00813	DED		31-51-12	D00821			N2				
82	24	PV	D00821	33		31-51-12	D00813	49		N2	3			
082Z			D00813	DED		31-51-12	D00821			N2				
83	24	PV	D00821	24		31-51-12	D00813	35		N2	3			
083Z			D00813	DED		31-51-12	D00821			N2				
84	24	PK	D00821	19		31-51-12	SM00025		W	N2	1			
85	24	PK	D00813	65		31-51-12	SM00025		W	N2	2			
86	24	PK	D00819	3		31-51-12	SM00025		W	N2	1			
87	24	PK	D01433	18		31-51-12	SM00025		W	N2	1			
88	22	PA	D01433	15		31-51-12	GDX0002	D..	2	N2	2			
89	24	PV	D01433	30		31-51-12	SM00054		W	N2	1			
089Z			SM00054	REF		31-51-12	D01433			N2				
90	24	PV	D01433	33		31-51-12	SM00055		W	N2	1			

286T0045-320
Wire Bundle Assembly
Figure 120 (Sheet 4)

25-71-02



BOEING
COMPONENT
MAINTENANCE MANUAL

WIRE			FROM EQUIPMENT			TO EQUIPMENT			WIRE INFO				
NUMBER	GA	TYP	NUMBER	TERM	TT	WDM REF	NUMBER	TERM	TT	EMC/SEP	FT	NOTES	EFFECTIVITY
090Z			SM00055	REF		31-51-12	D01433			N2			
91	24	PV	D01433	24		31-51-12	SM00056		W	N2	1		
091Z			SM00056	REF		31-51-12	D01433			N2			
92	22	PA	D00819	15		31-51-12	GDX0002	D.	2	N2	2		
93	24	PV	D00819	30		31-51-12	D00813	13		N2	3		
093Z			D00813	DED		31-51-12	D00819			N2			
94	20	PA	SM00032		W	31-51-12	GDX0005	D.	2	N2			
95	24	PV	D01505	X2		31-51-12	D00813	75		N2	3		
095Z			D00813	DED		31-51-12	D01505			N2			
96	24	PV	D01505	X1		31-51-12	SM00016		W	N2	1		
096Z			SM00016	REF		31-51-12	D01505			N2			
97	24	PV	D00813	46		31-51-12	SM00016		W	N2	2		
097Z			SM00016	REF		31-51-12	D00813	DED		N2			
98	20	PA	SM00033		W	31-51-12	GDX0005	D.	2	N2			
99	24	PK	SM00016			31-51-12	D11553	25		N2	1		
10A	24	PK	D01489	21	W	31-51-33	D04349J	23		N2	2		
100	20	PA	D11553	1		31-51-12	GDX0003	D.	2	N2	2		
101	20	UA	D00821			31-51-12	GDX0004	S.	2	N2	2		
102	20	UA	D00819			31-51-12	GDX0004	S.	2	N2	2		
103	20	UA	D01433			31-51-12	GDX0004	S.	2	N2	2		
104	20	UA	D01505			31-51-12	GDX0005	S.	2	N2	2		
106	20	UA	D00815			31-51-12	GDX0004	S.	2	N2	2		
107	20	UA	D01381			31-51-12	GDX0004	S.	2	N2	2		
109	20	UA	D00817			31-51-12	GDX0004	S.	2	N2	2		
110	20	UA	D01487			31-51-12	GDX0001	S.	2	N2	2		
111	20	UA	D01489			31-51-12	GDX0001	S.	2	N2	2		
112	22	PA	D00815	15		31-51-12	GDX0001	S.	2	N2	2		
113	24	PK	D01505	A2		31-51-12	GDX0001	D.	2	N2	2		
114	20	PA	D01505	A3		31-51-12	SM00005		W	N2	1		
115	24	PK	D02261	21		21-61-51	GDX0003	D.	2	N2	2		
116	24	PK	D00815	21		31-51-12	D04347J	25		N2	2		
117	24	PK	D00813	63		31-51-12	SM00023		W	N2	1		
118	24	PK	D00823	1		31-51-12	SM00023		W	N2	2		

286T0045-320
Wire Bundle Assembly
Figure 120 (Sheet 5)

25-71-02

WIRE			FROM EQUIPMENT			TO EQUIPMENT			WIRE INFO				
NUMBER	GA	TYP	NUMBER	TERM	TT	WDM REF	NUMBER	TERM	TT	EMC/SEP	FT	NOTES	EFFECTIVITY
119	24	PK	D01381	1		31-51-12	SM00023		W	N2	1		
120	22	PA	D01381	15		31-51-12	GDX0001	D.	2	N2	2		
121	24	PK	D00817	56		31-51-12	SM00024		W	N2	1		
122	24	PK	D00813	64		31-51-12	SM00024		W	N2	2		
123	24	PK	D01487	56		31-51-12	SM00024		W	N2	1		
124	22	PA	D00823	15		31-51-12	GDX0001	D.	2	N2	2		
125	20	UA	D00823			31-51-12	GDX0004	S.	2	N2	2		
126	24	PV	D00823	33		31-51-12	D00813	15		N2	3		
126Z			D00823			31-51-12	D00813	DED		N2			
127	24	PV	D00823	24		31-51-12	D00813	20		N2	3		
127Z			D00823			31-51-12	D00813	DED		N2			
128	22	PA	D00817	15		31-51-12	GDX0002	D.	2	N2	2		
129	24	PV	D00817	30		31-51-12	D00813	51		N2	3		
129Z			D00817			31-51-12	D00813	DED		N2			
130	24	PV	D00817	33		31-51-12	D00813	74		N2	3		
130Z			D00817			31-51-12	D00813	DED		N2			
131	24	PV	D00813	11		31-51-12	D01381	30		N2	3		
131Z			D01381			31-51-12	D00813	DED		N2			
132	24	PV	D00813	16		31-51-12	D01381	33		N2	3		
132Z			D01381			31-51-12	D00813	DED		N2			
133	24	PV	D01381	24		31-51-12	D00813	21		N2	3		
133Z			D01381			31-51-12	D00813	DED		N2			
134	24	PK	D01489	50		31-51-12	SM00024		W	N2	1		
135	24	PV	D01487	30		31-51-12	D00813	47		N2	3		
135Z			D01487			31-51-12	D00813	DED		N2			
136	24	PV	D01487	33		31-51-12	D00813	70		N2	3		
136Z			D01487			31-51-12	D00813	DED		N2			
137	22	PA	D01487	15		31-51-12	GDX0003	D.	2	N2	2		
138	24	PV	D01489	30		31-51-12	D00813	45		N2	3		
138Z			D01489			31-51-12	D00813	DED		N2			
139	24	PV	D01489	33		31-51-12	D00813	50		N2	3		
139Z			D01489			31-51-12	D00813	DED		N2			
140	24	PV	D01489	24		31-51-12	D00813	36		N2	3		

286T0045-320

Wire Bundle Assembly
Figure 120 (Sheet 6)

25-71-02

TESTING & TROUBLE SHOOTING
01 Page 160H
Nov 01/02



BOEING
COMPONENT
MAINTENANCE MANUAL

WIRE			FROM EQUIPMENT				TO EQUIPMENT				WIRE INFO			
NUMBER	GA	TYP	NUMBER	TERM	TT	WDM REF	NUMBER	TERM	TT	EMC/SEP	FT	NOTES	EFFECTIVITY	
140Z			D01489			31-51-12	D00813	DED		N2				
141	22	PA	D01489	15		31-51-12	GDX0003	D..	2	N2	2			
142	24	PK	D00813	33		31-51-12	D11553	26		N2	3			
143	24	PK	D11553	27		31-51-12	D00813	34		N2	3			
144	24	PV	D00813	12		31-51-12	D00815	30		N2	3			
144Z			D00813	DED		31-51-12	D00815			N2				
145	20	PA	SM00030		W	31-51-12	GDX0005	D..	2	N2				
146	24	PV	D00813	17		31-51-12	D00815	33		N2	3			
146Z			D00813	DED		31-51-12	D00815			N2				
147	24	PV	D00813	22		31-51-12	D00815	24		N2	3			
147Z			D00813	DED		31-51-12	D00815			N2				
148	24	PV	D00813	10		31-51-12	D00823	30		N2	3			
148Z			D00813	DED		31-51-12	D00823			N2				
149	20	PA	SM00031		W	31-51-12	GDX0005	D..	2	N2				
150	22	PA	D04301J	6		27-32-11	D00823	34		N2	2			
151	24	PK	D04509J	1		27-32-11	D00823	39		N2	2			
152	24	PK	D04347J	26		27-32-11	D00823	40		N2	2			
153	24	PK	D00823	31		27-32-11	D04509J	6		N2	2			
154	20	PA	D04509J	7		27-32-11	GDX0001	D..	2	N2	2			
155	24	PK	SM00037		W	27-32-11	D04511J	3		N2	1			
156	24	PK	D00823	38		27-32-11	D04511J	2		N2	2			
157	24	PK	D04511J	4		27-32-11	SM00050		W	N2	1			
158	24	PK	SM00037		W	27-32-11	D00823	4		N2	1			
159	24	PK	D04349J	14		27-32-11	D00823	36		N2	1			
160	24	PK	D04349J	15		27-32-11	D00823	3		N2	1			
161	24	PK	D04349J	16		27-32-11	D00823	43		N2	1			
162	24	PK	D04349J	10		27-32-11	D00823	2		N2	1			
165	22	PA	D04349J	11		27-32-21	D01381	34		N2	2			
166	24	PK	D01381	40		27-32-21	D04349J	6		N2	2			
167	24	PK	D01381	31		27-32-21	D04511J	7		N2	2			
168	20	PA	GDX0002	D..	2	27-32-21	D04511J	8		N2	2			
169	24	PK	D04349J	34		27-32-21	D01381	36		N2	2			
170	24	PK	D04349J	35		27-32-21	D01381	3		N2	2			

286T0045-320
Wire Bundle Assembly
Figure 120 (Sheet 7)

25-71-02

WIRE			FROM EQUIPMENT			TO EQUIPMENT			WIRE INFO				
NUMBER	GA	TYP	NUMBER	TERM	TT	WDM REF	NUMBER	TERM	TT	EMC/SEP	FT	NOTES	EFFECTIVITY
171	24	PK	D04349J	36		27-32-21	D01381	43		N2	2		
172	24	PK	D04349J	37		27-32-21	D01381	2		N2	2		
173	24	PK	D04511J	13		27-32-21	D01381	4		N2	2		
174	24	PK	D04511J	16		27-32-21	D01381	37		N2	2		
175	24	PK	D04511J	15		27-32-21	D01381	38		N2	2		
176	24	PK	D04509J	8		27-32-21	D01381	39		N2	2		
177	24	PK	D00815	34		31-51-21	SM00057		W	N2	1		
178	24	PK	D00815	43		31-51-21	D01433	19		N2	2		
179	24	PK	D00815	10		31-51-21	D00819	5		N2	2		
180	24	PK	D04507J	5		31-51-21	SM00034		W	N2	1		
181	24	PK	SM00058		W	31-51-21	D00815	66		N2	1		
182	24	PK	D00815	4		31-51-21	SM00034		W	N2	1		
183	24	PK	D00815	11		31-51-21	D04349J	39		N2	2		
184	22	PA	D00815	37		31-51-21	SM00035		W	N2	1		
185	22	PA	D00815	42		31-51-21	SM00036		W	N2	1		
186	24	PK	D04349J	5		31-51-21	SM00012		W	N2	1		
187	24	PK	D00815	2		31-51-21	SM00012		W	N2	1		
188	24	PK	SM00011		W	31-51-21	D04349J	4		N2	1		
189	24	PK	SM00011		W	31-51-21	D00815	35		N2	1		
190	24	PK	D04349J	12		31-51-21	SM00009		W	N2	1		
191	24	PK	D00815	44		31-51-21	SM00009		W	N2	1		
192	24	PK	D04347J	10		31-51-21	SM00008		W	N2	1		
193	24	PK	D00815	1		31-51-21	SM00008		W	N2	1		
194	24	PK	D04347J	11		31-51-21	SM00010		W	N2	1		
195	24	PK	D00815	36		31-51-21	SM00010		W	N2	1		
196	24	PK	SM00039		W	31-51-21	D04347J	21		N2	1		
197	24	PK	D00815	45		31-51-21	SM00039		W	N2	1		
198	24	PK	D00815	46		31-51-21	D04347J	6		N2	2		
199	20	PA	GDX0004	S..	2	31-51-31	D04597J	14		N2	2		
201B	24	PW	D01489	43		31-51-33	SM00004		W	N2	1		
201R	24	PW	D01489	9		31-51-33	SM00003		W	N2			
201Z			D01489	DED		31-51-33	SM00003	REF		N2			
204	20	UA	D04507J			27-32-11	GDX0004	S..	2	N2	2		

286T0045-320
Wire Bundle Assembly
Figure 120 (Sheet 8)

25-71-02



BOEING
COMPONENT
MAINTENANCE MANUAL

WIRE			FROM EQUIPMENT			TO EQUIPMENT			WIRE INFO				
NUMBER	GA.	TYP	NUMBER	TERM	TT	WDM REF	NUMBER	TERM	TT	EMC/SEP	FT	NOTES	EFFECTIVITY
204B	24	PW	D00823	18		27-32-11	D04507J	12		N2	1		
204R	24	PW	D00823	16		27-32-11	D04507J	11		N2			
204Z			D00823	DED		27-32-11	D04507J			N2			
205B	24	PW	D00815	19		31-51-21	SM00007		W	N2	1		
205R	24	PW	D00815	52		31-51-21	SM00006		W	N2			
205Z			D00815	DED		31-51-21	SM00006	REF		N2			
207	20	UA	D04597J			31-51-21	GDX0004	S.	2	N2	2		
207B	24	PW	SM00007		W	31-51-21	D04597J	4		N2	1		
207R	24	PW	SM00006		W	31-51-21	D04597J	3		N2			
207Z			SM00006	REF		31-51-21	D04597J			N2			
208	20	UA	D04301J			34-16-11	GDX0002	S.	2	N2	2		
208B	24	PW	D00821	36		34-16-11	D04301J	9		N2	2		
208R	24	PW	D00821	2		34-16-11	D04301J	8		N2			
208Z			D00821	DED		34-16-11	D04301J			N2			
209B	24	PW	D01489	46		31-51-33	SM00007		W	N2	1		
209R	24	PW	D01489	12		31-51-33	SM00006		W	N2			
209Z			D01489	DED		31-51-33	SM00006	REF		N2			
212B	24	PW	D01433	36		31-51-42	SM00007		W	N2	1		
212R	24	PW	D01433	2		31-51-42	SM00006		W	N2			
212Z			D01433	DED		31-51-42	SM00006	REF		N2			
213	20	UA	D04507J			34-16-11	GDX0004	S.	2	N2	2		
213B	24	PW	D00821	35		34-16-11	D04507J	8		N2	2		
213R	24	PW	D00821	1		34-16-11	D04507J	9		N2			
213Z			D00821	DED		34-16-11	D04507J			N2			
214	20	UA	D04349J			34-16-11	GDX0004	S.	2	N2	2		
214B	24	PW	D00821	37		34-16-11	D04349J	19		N2	2		
214R	24	PW	D00821	3		34-16-11	D04349J	18		N2			
214Z			D00821	DED		34-16-11	D04349J			N2			
215B	24	PL	D01487	24		31-51-31	D04597J	12		N2	2		
215R	24	PL	D01487	23		31-51-31	D04597J	13		N2			
216B	24	PL	D00817	24		31-51-32	D04303J	12		N2	2		
216R	24	PL	D00817	23		31-51-32	D04303J	11		N2			
221B	24	PW	D01489	45		31-51-33	SM00004		W	N2	1		

286T0045-320
Wire Bundle Assembly
Figure 120 (Sheet 9)

25-71-02

WIRE		FROM EQUIPMENT			TO EQUIPMENT		WIRE INFO						
NUMBER	GA	TYP	NUMBER	TERM	TT	WDM REF	NUMBER	TERM	TT	EMC/SEP	FT	NOTES	EFFECTIVITY
221R	24	PW	D01489	11		31-51-33	SM00003		W	N2			
221Z			D01489	DED		31-51-33	SM00003	REF		N2	1		
223B	24	PW	D00821	38		34-16-11	SM00004		W	N2			
223R	24	PW	D00821	4		34-16-11	SM00003		W	N2			
223Z			D00821	DED		34-16-11	SM00003	REF		N2	2		
224	20	UA	D04349J			27-32-21	GDX0004	S.	2	N2			
224B	24	PW	D04349J	28		27-32-21	D01381	18		N2	2		
224R	24	PW	D04349J	27		27-32-21	D01381	16		N2			
224Z			D04349J	DED		27-32-21	D01381	DED		N2			
225B	22	PR	D00811	69		31-51-11	SM00060		W	N2	2		
225R	22	PR	D00811	68		31-51-11	SM00060		W	N2			
225Z			D00811	DED		31-51-11	SM00028	REF		N2			
226B	22	PR	D00813	69		31-51-12	SM00061		W	N2	2		
226R	22	PR	D00813	68		31-51-12	SM00061		W	N2			
226Z			D00813	DED		31-51-12	SM00030	REF		N2	2		
230	20	UA	D04347J	18		31-51-33	GDX0003	S.	2	N2			
230R	24	PW	D04347J			31-51-33	SM00004		W	N2	1		
230Z			D04347J	17		31-51-33	SM00003		W	N2			
236	20	UA	D04347J			27-32-11	SM00003	REF		N2	2		
236B	24	PW	D04347J	37		27-32-11	GDX0001	S.	2	N2			
236R	24	PW	D04347J	36		27-32-11	D00823	54		N2	2		
236Z			D04347J	36		27-32-11	D00823	23		N2			
237B	24	PW	D04347J	40		27-32-11	D00823	13		N2	2		
237R	24	PW	D04347J	39		27-32-11	D00823	12		N2			
237Z			D04347J	DED		27-32-11	D00823	DED		N2			
238	20	UA	D04349J			27-32-21	GDX0001	S.	2	N2	2		
238B	24	PW	D04349J	49		27-32-21	D01381	54		N2	2		
238R	24	PW	D04349J	48		27-32-21	D01381	23		N2			
238Z			D04349J	DED		27-32-21	D01381	DED		N2			
239B	24	PW	D01381	20		27-32-21	D04349J	55		N2	2		
239R	24	PW	D01381	19		27-32-21	D04349J	54		N2			
239Z			D01381	DED		27-32-21	D04349J	DED		N2			

286T0045-320
Wire Bundle Assembly
Figure 120 (Sheet 10)

25-71-02



BOEING
COMPONENT
MAINTENANCE MANUAL

WIRE			FROM EQUIPMENT			TO EQUIPMENT			WIRE INFO				
NUMBER	GA	TYP	NUMBER	TERM	TT	WDM REF	NUMBER	TERM	TT	EMC/SEP	FT	NOTES	EFFECTIVITY
240B	24	PL	D04347J	23		31-51-31	SM00080		W	N2	1		
240R	24	PL	D04347J	22		31-51-31	SM00042		W	N2			
241B	24	PL	D01487	60		31-51-31	SM00080		W	N2	1		
241R	24	PL	D01487	28		31-51-31	SM00042		W	N2	1		
242B	24	PL	D00817	60		31-51-32	SM00080		W	N2	1		
242R	24	PL	D00817	28		31-51-32	SM00042		W	N2			
243B	24	PW	D04349J	52		27-32-21	D01381	13		N2	2		
243R	24	PW	D04349J	51		27-32-21	D01381	12		N2			
243Z	24	PW	D04349J			27-32-21	D01381	DED		N2			
245B	24	PW	D00823	20		27-32-11	D04347J	48		N2	2		
245R	24	PW	D00823	19		27-32-11	D04347J	47		N2			
245Z	24	PW	D00823	DED		27-32-11	D04347J			N2			
247	20	UA	D04349J			31-41-35	GDX0006	S..	2	N2	2		
247B	24	PW	D02261	42		31-41-35	D04349J	57		N2	2		
247R	24	PW	D02261	43		31-41-35	D04349J	56		N2			
247Z	24	PW	D02261	DED		31-41-35	D04349J			N2			
248	20	UA	D04349J			28-41-11	GDX0006	S..	2	N2	2		
248B	24	PW	D02261	5		28-41-11	D04349J	60		N2	2		
248R	24	PW	D02261	8		28-41-11	D04349J	59		N2			
248Z	24	PW	D02261	DED		28-41-11	D04349J			N2			
271B	24	PL	D04597J	5		31-51-31	SM00088		W	N2	1		
271R	24	PL	D04597J	2		31-51-31	SM00087		W	N2			
272B	24	PL	D01487	63		31-51-31	SM00088		W	N2	1		
272R	24	PL	D01487	62		31-51-31	SM00087		W	N2			
273B	24	PL	D00817	63		31-51-32	SM00088		W	N2	1		
273R	24	PL	D00817	62		31-51-32	SM00087		W	N2			
290B	24	PW	D04597J	8		34-43-15	SM00104		W	N2	1		
290R	24	PW	D04597J	7		34-43-15	SM00103		W	N2			
290Z	24	PW	D04597J	9		34-43-15	SM00103	REF		N2			
291B	24	PW	D04303J	5		34-43-15	SM00104		W	N2	1		
291R	24	PW	D04303J	4		34-43-15	SM00103		W	N2			
291Z	24	PW	D04303J	6		34-43-15	SM00103	REF		N2			
292B	24	PW	D04347J	53		34-43-15	SM00104		W	N2	1		

286T0045-320
Wire Bundle Assembly
Figure 120 (Sheet 11)

25-71-02

WIRE			FROM EQUIPMENT				TO EQUIPMENT				WIRE INFO			
NUMBER	GA	TYP	NUMBER	TERM	TT	WDM REF	NUMBER	TERM	TT	EMC/SEP	FT	NOTES	EFFECTIVITY	
292R	24	PW	D04347J	51		34-43-15	SM00103		W	N2				
292Z			D04347J	61		34-43-15	SM00103	REF		N2	1			
301	20	UA	SM00028	REF		31-51-11	GDX0005	S.	2	N2	2			
301B	22	PS	D00811	57		31-51-11	SM00028		W	N2				
301R	22	PS	D00811	38		31-51-11	SM00028		W	N2				
301Y	22	PS	D00811	58		31-51-11	SM00028		W	N2				
301Z			D00811	DED		31-51-11	SM00028	REF		N2				
302B	22	PS	D00811	42		31-51-11	SM00029		W	N2	2			
302R	22	PS	D00811	41		31-51-11	SM00029		W	N2				
302Y	22	PS	D00811	43		31-51-11	SM00029		W	N2				
302Z			D00811	DED		31-51-11	SM00028	REF		N2				
303B	22	PS	D00811	8		31-51-11	SM00026		W	N2	2			
303R	22	PS	D00811	7		31-51-11	SM00026		W	N2				
303Y	22	PS	D00811	9		31-51-11	SM00026		W	N2				
303Z			D00811	DED		31-51-11	SM00028	REF		N2				
304B	22	PS	D00811	25		31-51-11	SM00027		W	N2	2			
304R	22	PS	D00811	24		31-51-11	SM00027		W	N2				
304Y	22	PS	D00811	37		31-51-11	SM00027		W	N2				
304Z			D00811	DED		31-51-11	SM00028	REF		N2				
305	20	UA	SM00030	REF		31-51-12	GDX0005	S.	2	N2	1			
305B	22	PS	D00813	8		31-51-12	SM00030		W	N2	2			
305R	22	PS	D00813	7		31-51-12	SM00030		W	N2				
305Y	22	PS	D00813	9		31-51-12	SM00030		W	N2				
305Z			D00813	DED		31-51-12	SM00030	REF		N2				
306B	22	PS	D00813	25		31-51-12	SM00031		W	N2	2			
306R	22	PS	D00813	24		31-51-12	SM00031		W	N2				
306Y	22	PS	D00813	37		31-51-12	SM00031		W	N2				
306Z			D00813	DED		31-51-12	SM00030	REF		N2				
307B	22	PS	D00813	57		31-51-12	SM00032		W	N2	2			
307R	22	PS	D00813	38		31-51-12	SM00032		W	N2				
307Y	22	PS	D00813	58		31-51-12	SM00032		W	N2				
307Z			D00813	DED		31-51-12	SM00030	REF		N2				
308B	22	PS	D00813	42		31-51-12	SM00033		W	N2	2			

286T0045-320
Wire Bundle Assembly
Figure 120 (Sheet 12)

25-71-02



BOEING
COMPONENT
MAINTENANCE MANUAL

WIRE			FROM EQUIPMENT			TO EQUIPMENT			WIRE INFO				
NUMBER	GA	TYP	NUMBER	TERM	TT	WDM REF	NUMBER	TERM	TT	EMC/SEP	FT	NOTES	EFFECTIVITY
308R	22	PS	D00813	41		31-51-12	SM00033		W	N2			
308Y	22	PS	D00813	43		31-51-12	SM00033		W	N2			
308Z			D00813	DED		31-51-12	SM00030	REF		N2			
512	24	PK	D02261	20		27-81-31	D04349J	8		N2	2		
601	20	PA	SM00060		W	31-51-11	GDX0004	D.	2	N2			
602	20	PA	SM00061		W	31-51-12	GDX0005	D.	2	N2			
603	24	PV	D04301J	5		31-51-12	M01103	INE	D	N2	1		
603Z			D04301J	DED		31-51-12	M01103			N2			
604	24	PV	D04301J	4		31-51-12	D00813	4		N2	3		
604Z			D04301J	DED		31-51-12	D00813			N2			
605	24	PV	D00813	1		31-51-12	M01103	OAD	D	N2	3		
605Z			D00813			31-51-12	M01103	DED		N2			
606	24	PV	D04349J	32		31-51-11	M01102	INE	D	N2	1		
606Z			D04349J	DED		31-51-11	M01102			N2			
607	24	PV	D04349J	33		31-51-11	D00811	4		N2	3		
607Z			D04349J	DED		31-51-11	D00811			N2			
608	24	PV	D00811	1		31-51-11	M01102	OAD	D	N2	3		
608Z			D00811			31-51-11	M01102	DED		N2			
610	24	PK	D00823	37		27-32-11	SM00050		W	N2	1		
611	24	PK	D01433	6		31-51-42	D04347J	20		N2	2		
612	24	PK	D01433	4		31-51-42	SM00050		W	N2	1		
613	24	PK	D04349J	30		31-51-31	SM00065		W	N2	1		
614	24	PK	D01487	52		31-51-31	SM00065		W	N2	1		
615	24	PK	D00817	52		31-51-32	SM00065		W	N2	1		
617	24	PK	D01381	11		27-32-12	D00823	56		N2	1		
618	24	PK	D01381	56		27-32-12	D00823	11		N2	1		
619	24	PK	D00823	45		27-32-12	SM00082		W	N2	1		
620	24	PK	D04349J	29		31-51-21	SM00071		W	N2	1		
621	24	PK	D00815	7		31-51-21	SM00071		W	N2	1		
622	24	PK	D01489	2		31-51-33	SM00071		W	N2	1		
623	24	PK	D01489	36		31-51-33	SM00038		W	N2	1		
624	24	PK	D00815	8		31-51-21	SM00045		W	N2	1		
625	24	PK	D01487	9		31-51-31	SM00034		W	N2	1		

286T0045-320
Wire Bundle Assembly
Figure 120 (Sheet 13)

25-71-02

WIRE			FROM EQUIPMENT			TO EQUIPMENT			WIRE INFO			
NUMBER	GA	TYP	NUMBER	TERM TT	WDM REF	NUMBER	TERM TT	EMC/SEP	FT	NOTES	EFFECTIVITY	
628	22	PA	D01487	20	31-51-31	GDX0006	D..	N2	2			
629	22	PA	D01487	53	31-51-31	GDX0006	D..	N2	2			
630	22	PA	D01487	21	31-51-31	GDX0006	D..	N2	2			
631	24	PK	D00817	9	31-51-32	SM00034	W	N2	1			
634	22	PA	D00817	20	31-51-32	GDX0006	D..	N2	2			
635	22	PA	D00817	53	31-51-32	GDX0006	D..	N2	2			
636	22	PA	D00817	21	31-51-32	GDX0006	D..	N2	2			
644	22	PQ	D00823	66	27-32-31	D04347J	42	N2	2			
644Z			D00823	DED	27-32-31	D04347J	DED	N2	2			
646	22	PQ	D01381	66	27-32-31	D04349J	42	N2	2			
646Z			D01381	DED	27-32-31	D04349J	DED	N2	2			
648	24	PK	D00821	40	34-16-11	D04347J	32	N2	2			
649	24	PK	SM00038		34-16-11	D04347J	33	N2	1			
681	24	PK	D01433	10	31-51-43	D04507J	10	N2	2			
682	24	PK	D01433	13	31-51-43	D04347J	46	N2	2			
683	22	PA	D01433	41	31-51-43	SM00081	W	N2	1			
684	20	PA	GDX0001	D..	31-51-43	D04349J	47	N2	2			
685	24	PK	D00823	58	27-32-12	D01505	A1	N2	2			
686	24	PK	D00823	8	27-32-11	SM00038	W	N2	1			
687	24	PK	D00823	64	27-32-11	SM00081	W	N2	1			
688	24	PK	D01381	58	27-32-22	D01503	A1	N2	2			
689	24	PK	D01381	45	27-32-22	SM00085	W	N2	1			
692	24	PK	D01381	8	27-32-21	SM00038	W	N2	1			
693	24	PK	D04347J	30	31-51-21	D00815	6	N2	2			
694	22	PA	D04349J	46	31-51-43	SM00081	W	N2	1			
696	20	PA	GDX0003	D..	27-32-12	SM00082	W	N2	1			
697	20	PA	GDX0003	D..	27-32-22	SM00085	W	N2	1			
701	24	PK	D00815	49	31-51-21	D00815	22	N2	2			
702	24	PK	D00815	16	31-51-21	D00815	48	N2	2			
703	24	PK	D00819	6	31-51-41	SM00019	W	N2	1			
704	24	PK	SM00075		31-51-41	D04511J	14	N2	1			
705	24	PK	D00819	45	31-51-41	D04511J	12	N2	2			
706	24	PK	D00819	10	31-51-41	D04349J	31	N2	2			

286T0045-320
Wire Bundle Assembly
Figure 120 (Sheet 14)

25-71-02



BOEING
COMPONENT
MAINTENANCE MANUAL

WIRE			FROM EQUIPMENT			TO EQUIPMENT			WIRE INFO				
NUMBER	GA	TYP	NUMBER	TERM	TT	WDM REF	NUMBER	TERM	TT	EMC/SEP	FT	NOTES	EFFECTIVITY
707	24	PK	D00819	21		31-51-41	D04509J	4		N2	2		
708	24	PK	D00819	9		31-51-41	D04349J	7		N2	2		
709	24	PK	D00819	39		31-51-41	SM00044		W	N2	1		
710	24	PK	D00819	43		31-51-41	SM00037		W	N2	1		
711	24	PK	D00819	12		31-51-41	D04349J	21		N2	2		
712	24	PK	D00819	53		31-51-41	D04349J	3		N2	2		
713	24	PK	D00819	20		31-51-41	D04347J	9		N2	2		
714	24	PK	D00819	44		31-51-41	D04349J	24		N2	2		
715	24	PK	D04507J	6		31-51-42	SM00019		W	N2	1		
716	24	PK	D01433	34		31-51-42	SM00019		W	N2	1		
717	24	PK	D01433	37		31-51-42	SM00034		W	N2	1		
718	24	PK	D01433	39		31-51-42	D04509J	2		N2	2		
720	24	PK	D01433	52		31-51-42	SM00040		W	N2	1		
721	24	PK	D01433	38		31-51-42	D04347J	24		N2	2		
722	24	PK	D01433	5		31-51-42	D04349J	22		N2	2		
723	24	PK	D04511J	11		31-51-42	SM00038		W	N2	1		
724	24	PK	D01433	40		31-51-42	SM00038		W	N2	1		
725	24	PK	D01433	3		31-51-42	D04347J	13		N2	2		
726	22	PA	D04347J	14		31-51-21	SM00036		W	N2	1		
727	22	PA	D04301J	11		31-51-21	SM00035		W	N2	1		
728	24	PK	D04347J	1		31-51-41	D00819	35		N2	2		
729	24	PK	D04347J	2		31-51-41	D00819	1		N2	2		
730	24	PK	D04347J	3		31-51-41	D00819	36		N2	2		
731	24	PK	D04347J	4		31-51-41	D00819	2		N2	2		
732	24	PK	D04347J	5		31-51-42	D01433	20		N2	2		
733	24	PK	D04347J	16		34-16-11	D00821	65		N2	2		
734	24	PK	D04347J	8		31-51-31	SM00046		W	N2	1		
735	24	PK	D04507J	7		34-16-11	D00821	34		N2	2		
736	24	PK	D04507J	2		34-16-11	D00821	66		N2	2		
737	24	PK	SM00041		W	34-16-11	D00821	31		N2	1		
738	24	PK	D04347J	19		34-16-11	D00821	7		N2	2		
739	24	PK	SM00075		W	34-16-11	D00821	6		N2	1		
741	24	PK	D00821	18		34-16-11	D00821	22		N2			

286T0045-320
Wire Bundle Assembly
Figure 120 (Sheet 15)

25-71-02

WIRE			FROM EQUIPMENT			TO EQUIPMENT			WIRE INFO				
NUMBER	GA	TYP	NUMBER	TERM	TT	WDM REF	NUMBER	TERM	TT	EMC/SEP	FT	NOTES	EFFECTIVITY
742	24	PK	D00821	50		34-16-11	D00821	48		N2			
743	24	PK	D04349J	17		23-22-11	D01489	20		N2	2		
746	24	PK	D04597J	10		31-51-31	SM00043		W	N2	1		
747	24	PK	D01487	46		31-51-31	SM00043		W	N2	1		
748	24	PK	D04347J	7		31-51-31	SM00045		W	N2	1		
749	24	PK	D01487	10		31-51-31	SM00045		W	N2	1		
750	24	PK	D01487	19		31-51-31	SM00046		W	N2	1		
751	24	PK	D01487	13		31-51-31	SM00040		W	N2	1		
752	24	PK	D01487	47		31-51-31	SM00044		W	N2	1		
753	24	PK	D01487	51		31-51-31	SM00041		W	N2	1		
755	24	PV	D01487	1		31-51-31	SM00035		W	N2	1		
755Z			D01487	DED		31-51-31	SM00035	DED		N2			
756	24	PK	D01487	50		31-51-31	SM00036		W	N2	1		
757	24	PK	D01487	11		31-51-31	SM00039		W	N2	1		
758	24	PK	D01487	22		31-51-31	D01489	23		N2	2		
759	24	PK	D01487	55		31-51-31	D01489	47		N2	2		
760	24	PK	D01487	34		31-51-31	D01489	51		N2	2		
761	24	PK	D01487	66		31-51-31	D01489	57		N2	2		
762	24	PK	D00817	10		31-51-32	SM00045		W	N2	1		
763	24	PK	D00817	46		31-51-32	SM00043		W	N2	1		
764	24	PV	D00817	1		31-51-32	SM00035		W	N2	1		
764Z			D00817	DED		31-51-32	SM00035	DED		N2			
765	24	PK	D00817	50		31-51-32	SM00036		W	N2	1		
766	24	PV	D00817	11		31-51-32	SM00053		W	N2	1		
766Z			D00817	DED		31-51-32	SM00053	DED		N2			
767	24	PK	D00817	19		31-51-32	SM00046		W	N2	1		
768	24	PK	D00817	13		31-51-32	SM00040		W	N2	1		
769	24	PK	D00817	47		31-51-32	SM00044		W	N2	1		
770	24	PK	D00817	51		31-51-32	SM00041		W	N2	1		
772	24	PK	D00817	22		31-51-32	D01489	54		N2	2		
773	24	PK	D00817	55		31-51-32	D01489	13		N2	2		
774	24	PK	D00817	34		31-51-32	D01489	25		N2	2		
775	24	PK	D00817	66		31-51-32	D01489	58		N2	2		

286T0045-320
Wire Bundle Assembly
Figure 120 (Sheet 16)

25-71-02



BOEING
COMPONENT
MAINTENANCE MANUAL

WIRE			FROM EQUIPMENT			TO EQUIPMENT			WIRE INFO				
NUMBER	GA	TYP	NUMBER	TERM	TT	WDM REF	NUMBER	TERM	TT	EMC/SEP	FT	NOTES	EFFECTIVITY
776	24	PK	D01489	42		31-51-33	D04347J	15		N2	2		
777	24	PK	D01489	8		31-51-33	D04349J	13		N2	2		
779	24	PK	D01489	35		31-51-33	D04349J	40		N2	2		
780	24	PK	D01489	53		31-51-33	D04349J	2		N2	2		
781	24	PK	D01489	31		31-51-33	D01489	48		N2			
782	24	PK	D01489	18		31-51-33	D01489	22		N2			
783	24	PK	D01489	38		31-51-33	SM00008		W	N2	1		
784	24	PK	D01489	4		31-51-33	SM00011		W	N2	1		
785	24	PK	D01489	37		31-51-33	SM00012		W	N2	1		
786	24	PK	D01489	3		31-51-33	SM00010		W	N2	1		
787	24	PK	D01489	1		31-51-33	SM00009		W	N2	1		
788	24	PK	D01489	6		31-51-33	SM00034		W	N2	1		
789	24	PK	D01489	41		31-51-33	D04509J	11		N2	2		
791	24	PK	D01489	7		31-51-33	D04509J	10		N2	2		
792	24	PK	D01489	40		31-51-33	D04509J	9		N2	2		
793	24	PK	D00819	11		31-51-41	SM00075		W	N2	1		
794	20	PA	D04303J	10		31-51-32	GDX0004	S.	2	N2	2		
795	24	PK	D01433	9		31-51-42	D01433	48		N2			
796	24	PK	D01433	22		31-51-42	D01433	50		N2			
797	24	PV	D00815	41		31-51-21	SM00053		W	N2	1		
797Z			D00815	DED		31-51-21	SM00053	DED		N2			
798	24	PV	D04349J	9		31-51-21	SM00053		W	N2	1		
798Z			D04349J	DED		31-51-21	SM00053	DED		N2			
817	24	PK	D00823	55		27-32-12	D11553	6		N2	2		
818	24	PK	D00823	21		27-32-12	D11553	4		N2	2		
819	24	PK	D00823	51		27-32-12	D11553	3		N2	2		
820	24	PK	D00823	50		27-32-12	D11553	2		N2	2		
821	24	PK	D00823	49		27-32-12	D11553	7		N2	2		
822	24	PK	D00823	47		27-32-12	D11553	8		N2	2		
823	24	PK	D00823	46		27-32-12	D11553	9		N2	2		
824	24	PK	D00823	53		27-32-12	D11553	5		N2	2		
825	24	PK	D00823	62		27-32-12	D11553	24		N2	2		
826	24	PK	D01381	55		27-32-22	D11553	16		N2	2		

286T0045-320
Wire Bundle Assembly
Figure 120 (Sheet 17)

25-71-02

TESTING & TROUBLE SHOOTING
01 Page 160S

Nov 01/02

WIRE			FROM EQUIPMENT				TO EQUIPMENT				WIRE INFO			
NUMBER	GA	TYP	NUMBER	TERM	TT	WDM REF	NUMBER	TERM	TT	EMC/SEP	FT	NOTES	EFFECTIVITY	
827	24	PK	D01381	21		27-32-22	D11553	14		N2	2			
828	24	PK	D01381	51		27-32-22	D11553	13		N2	2			
829	24	PK	D01381	50		27-32-22	D11553	12		N2	2			
830	24	PK	D01381	49		27-32-22	D11553	17		N2	2			
831	24	PK	D01381	47		27-32-22	D11553	18		N2	2			
832	24	PK	D01381	46		27-32-22	D11553	19		N2	2			
833	24	PK	D01381	53		27-32-22	D11553	15		N2	2			
834	24	PK	D01381	62		27-32-22	D11553	34		N2	2			
835	24	PK	D04349J	50		27-32-21	D01381	64		N2	2			
836	20	PA	D04349J	53		27-32-21	GDX0002	S.	2	N2	2			
837	24	PK	D00823	42		27-32-12	SM00082		W	N2	1			
838	24	PK	D01381	42		27-32-22	SM00085		W	N2	1			
862	22	PA	D02261	30		31-41-35	GDX0006	S.	2	N2	1			
863	22	PA	D02261	32		31-41-35	GDX0006	S.	2	N2	1			
864	22	PA	D02261	33		31-41-35	GDX0006	S.	2	N2	1			
865	22	PA	D02261	64		31-41-35	GDX0006	S.	2	N2	1			
866	24	PV	D02261	27		31-51-11	SM00018		W	N2	1			
866Z			D02261	DED		31-51-11	SM00018	REF		N2				
867	24	PV	D02261	28		31-51-11	SM00047		W	N2	1			
867Z			D02261	DED		31-51-11	SM00047	REF		N2				
868	24	PV	D02261	29		31-51-12	SM00054		W	N2	1			
868Z			D02261	DED		31-51-12	SM00054	REF		N2				
869	24	PK	D02261	34		31-51-12	SM00025		W	N2	1			
870	22	PA	D02261	56		31-51-12	GDX0001	S.	2	N2	2			
871	22	PA	D02261	57		31-51-12	GDX0003	S.	2	N2	2			
872	22	PA	D02261	59		31-51-11	GDX0005	S.	2	N2	1			
873	24	PV	D02261	60		31-51-12	SM00055		W	N2	1			
873Z			D02261	DED		31-51-12	SM00055	REF		N2				
874	24	PV	D02261	62		31-51-11	SM00049		W	N2	1			
874Z			D02261	DED		31-51-11	SM00049	REF		N2				
875	24	PV	D02261	63		31-51-12	SM00056		W	N2	1			
875Z			D02261	DED		31-51-12	SM00056	REF		N2				
876	24	PK	D02261	65		31-51-11	SM00022		W	N2	1			

286T0045-320
Wire Bundle Assembly
Figure 120 (Sheet 18)

25-71-02



BOEING
COMPONENT
MAINTENANCE MANUAL

WIRE		FROM EQUIPMENT			TO EQUIPMENT			WIRE INFO					
NUMBER	GA	TYP	NUMBER	TERM	TT	WDM REF	NUMBER	TERM	TT	EMC / SEP	FT	NOTES	EFFECTIVITY
877	24	PV	D00811	14		31-51-11	SM00018		W	N2	2		
877Z			D00811	DED		31-51-11	SM00018	REF		N2			
878	24	PV	D00811	48		31-51-11	SM00047		W	N2	2		
878Z			D00811	DED		31-51-11	SM00047	REF		N2			
879	24	PV	D00811	23		31-51-11	SM00049		W	N2	2		
879Z			D00811	DED		31-51-11	SM00049	REF		N2			
880	24	PV	D00813	14		31-51-12	SM00054		W	N2	2		
880Z			D00813	DED		31-51-12	SM00054	REF		N2			
881	24	PV	D00813	48		31-51-12	SM00055		W	N2	2		
881Z			D00813	DED		31-51-12	SM00055	REF		N2			
882	24	PV	D00813	23		31-51-12	SM00056		W	N2	2		
882Z			D00813	DED		31-51-12	SM00056	REF		N2			
883	22	PA	D02261	15		38-32-11	D04349J	26		N2	2		
884	22	PA	D02261	47		38-32-11	D04347J	27		N2	2		
885	24	PK	D04303J	9		31-51-21	SM00057		W	N2	1		
886	24	PK	D04507J	3		31-51-21	SM00058		W	N2	1		
887	24	PK	D04507J	1		31-51-21	SM00058		W	N2	1		
888	24	PK	SM00057		W	31-51-21	D04349J	44		N2	1		

286T0045-320
Wire Bundle Assembly
Figure 120 (Sheet 19)

25-71-02

WIRE			FROM EQUIPMENT			TO EQUIPMENT			WIRE INFO				
NUMBER	GA	TYP	NUMBER	TERM	TT	WDM REF	NUMBER	TERM	TT	EMC/SEP	FT	NOTES	EFFECTIVITY
FRA			M01103			31-51-12	M01103	GND	D	N2			
FRB			D00813			31-51-12	D00813	59		N2			
FRC			M01102			31-51-11	M01102	GND	D	N2			
FRD			D00811			31-51-11	D00811	59		N2			
FRG			D04349J	58		31-41-35	D04349J			N2			
FRH			D04349J	61		28-41-11	D04349J			N2			
PA1			D00815	47		99-99-99	D00815	63		N2		DAW-B2	
PA2			D00817	8		99-99-99	D00817	57		N2		DAW-B2	
PA3			D00819	41		99-99-99	D00819	55		N2		DAW-B2	
PA4			D00821	43		99-99-99	D00821	60		N2		DAW-B2	
PA5			D00823	52		99-99-99	D00823	65		N2		DAW-B2	
PA6			D01433	44		99-99-99	D01433	61		N2		DAW-B2	
PA7			D01381	52		99-99-99	D01381	65		N2		DAW-B2	
PA8			D01487	8		99-99-99	D01487	57		N2		DAW-B2	
PA9			D01489	56		99-99-99	D01489	65		N2		DAW-B2	
PB4			D02261	54		99-99-99	D02261	61		N2		DAW-B2	
P01		SE	D11553							N2			
1	22	PA	D00811	60		31-51-11	GDX0001	S.	2	N2	3	UAE-F2	
2	22	PA	D00821	14		31-51-11	GDX0002	D.	2	N2	2		
3	24	PV	D00811	26		31-51-11	D00821	27		N2	3		
003Z			D00811	DED		31-51-11	D00821			N2			
4	24	PV	D00811	49		31-51-11	D00821	32		N2	3		
004Z			D00811	DED		31-51-11	D00821			N2			
5	24	PV	D00811	35		31-51-11	D00821	17		N2	3		
005Z			D00811	DED		31-51-11	D00821			N2			
6	24	PK	SM00022		W	31-51-11	D00821	51		N2	1		
7	24	PK	D00811	65		31-51-11	SM00022		W	N2	2		
8	24	PK	D00819	37		31-51-11	SM00022		W	N2	1		
9	24	PV	D00819	27		31-51-11	D00811	13		N2	3		
009Z			D00811	DED		31-51-11	D00819			N2			
01A	24	PK	D04349J	43		31-51-33	D01489	49		N2	2		
10	22	PA	D00819	14		31-51-11	GDX0001	D.	2	N2	2		
11	24	PK	D01433	51		31-51-11	SM00022		W	N2	1		

286T0045-322
Wire Bundle Assembly
Figure 121 (Sheet 1)

25-71-02



BOEING
COMPONENT
MAINTENANCE MANUAL

WIRE		FROM EQUIPMENT			TO EQUIPMENT			WIRE INFO					
NUMBER	GA	TYP	NUMBER	TERM	TT	WDM REF	NUMBER	TERM	TT	EMC/SEP	FT	NOTES	EFFECTIVITY
12	24	PV	SM00018		W	31-51-11	D01433	27		N2	1		
012Z			SM00018	REF		31-51-11	D01433			N2			
13	24	PV	SM00047		W	31-51-11	D01433	32		N2	1		
013Z			SM00047	REF		31-51-11	D01433			N2			
14	24	PV	SM00049		W	31-51-11	D01433	17		N2	1		
014Z			SM00049	REF		31-51-11	D01433			N2			
15	22	PA	D01433	14	W	31-51-11	GDX0001	D.	2	N2	2		
16	20	PA	SM00028			31-51-11	GDX0005	D.	2	N2	2		
17	20	UA	GDX0002	S.	2	31-51-11	D00821			N2	2		
18	20	UA	GDX0005	S.	2	31-51-11	D00819			N2	2		
19	20	UA	D01433			31-51-11	GDX0002	S.	2	N2	2		
20	20	PA	GDX0005	S.	2	31-51-11	SM00029		W	N2	2		
21	20	UA	GDX0002	S.	2	31-51-11	D01503			N2	2		
23	20	UA	D00815			31-51-11	GDX0002	S.	2	N2	2		
24	24	PK	D04349J	38		31-51-11	SM00005		W	N2	1		
25	24	PK	D01503	A2		31-51-11	SM00005		W	N2	1		
26	20	PA	D01503	A3		31-51-11	GDX0003	D.	2	N2	2		
27	22	PQ	D01503	X2		31-51-11	D00811	75		N2	4		
027Z			D00811	DED		31-51-11	D01503			N2			
28	24	PV	D01503	X1		31-51-11	SM00015		W	N2	1		
028Z			SM00015	REF		31-51-11	D01503			N2			
29	24	PV	D00811	46		31-51-11	SM00015		W	N2	2		
029Z			SM00015	REF		31-51-11	D00811	DED		N2			
30	24	PK	SM00015		W	31-51-11	D11553	35		N2	1		
32	20	PA	D11553	11		31-51-11	GDX0003	D.	2	N2	2		
33	24	PK	D11553	37		31-51-11	D00811	34		N2	4		
34	24	PK	D11553	36		31-51-11	D00811	33		N2	4		
35	22	PA	D00815	14		31-51-11	GDX0001	D.	2	N2	2		
36	24	PV	D00815	27		31-51-11	D00811	12		N2	3		
036Z			D00811	DED		31-51-11	D00815			N2			
37	24	PV	D00815	32		31-51-11	D00811	17		N2	3		
037Z			D00811	DED		31-51-11	D00815			N2			
38	24	PV	D00815	17		31-51-11	D00811	22		N2	3		

286T0045-322
Wire Bundle Assembly
Figure 121 (Sheet 2)

25-71-02

WIRE			FROM EQUIPMENT			TO EQUIPMENT			WIRE INFO				
NUMBER	GA	TYP	NUMBER	TERM	TT	WDM REF	NUMBER	TERM	TT	EMC/ SEP	FT	NOTES	EFFECTIVITY
038Z			D00811	DED		31-51-11	D00815			N2			
39	24	PK	D00815	54		31-51-11	SM00020	W		N2	1		
40	24	PK	D00811	63		31-51-11	SM00020	W		N2	2		
41	24	PK	D00823	35		31-51-11	SM00020	W		N2	1		
42	24	PK	D01381	35		31-51-11	SM00020	W		N2	1		
45	22	PA	D01381	14		31-51-11	GDX0001	D.		N2	2		
46	22	PA	D01381	48		31-51-11	GDX0003	D.		N2	2		
47	24	PV	D01381	27		31-51-11	D00811	11		N2	3		
047Z			D00811	DED		31-51-11	D01381			N2			
48	24	PV	D01381	32		31-51-11	D00811	16		N2	3		
048Z			D00811	DED		31-51-11	D01381			N2			
49	24	PV	D01381	17		31-51-11	D00811	21		N2	3		
049Z			D00811	DED		31-51-11	D01381			N2			
52	22	PA	D00823	14		31-51-11	GDX0001	D.		N2	2		
53	22	PA	D00823	48		31-51-11	GDX0003	D.		N2	2		
54	24	PV	D00823	27		31-51-11	D00811	10		N2	3		
054Z			D00811	DED		31-51-11	D00823			N2			
55	24	PV	D00823	32		31-51-11	D00811	15		N2	3		
055Z			D00811	DED		31-51-11	D00823			N2			
56	24	PV	D00823	17		31-51-11	D00811	20		N2	3		
056Z			D00811	DED		31-51-11	D00823			N2			
57	22	PA	D00817	14		31-51-11	GDX0002	D.		N2	2		
58	24	PV	D00817	27		31-51-11	D00811	51		N2	3		
058Z			D00811	DED		31-51-11	D00817			N2			
59	24	PV	D00817	32		31-51-11	D00811	74		N2	3		
059Z			D00811	DED		31-51-11	D00817			N2			
60	24	PK	D00817	45		31-51-11	SM00021	W		N2	1		
61	24	PK	D00811	64		31-51-11	SM00021	W		N2	2		
62	24	PK	D01489	16		31-51-11	SM00021	W		N2	1		
63	24	PK	D01487	45		31-51-11	SM00021	W		N2	1		
64	24	PV	D01487	27		31-51-11	D00811	47		N2	3		
064Z			D00811	DED		31-51-11	D01487			N2			
65	24	PV	D01487	32		31-51-11	D00811	70		N2	3		

286T0045-322
Wire Bundle Assembly
Figure 121 (Sheet 3)

25-71-02



BOEING
COMPONENT
MAINTENANCE MANUAL

WIRE		FROM EQUIPMENT		TO EQUIPMENT		WIRE INFO							
NUMBER	GA	TYP	NUMBER	TERM	TT	WDM REF	NUMBER	TERM	TT	EMC/SEP	FT	NOTES	EFFECTIVITY
065Z			D00811	DED		31-51-11	D01487			N2			
66	22	PA	D01487	14		31-51-11	GDX0003	D.	2	N2	2		
67	24	PV	D01489	27		31-51-11	D00811	45		N2	3		
067Z			D00811	DED		31-51-11	D01489			N2			
68	24	PV	D01489	32		31-51-11	D00811	50		N2	3		
068Z			D00811	DED		31-51-11	D01489			N2			
69	24	PV	D01489	17		31-51-11	D00811	36		N2	3		
069Z			D00811	DED		31-51-11	D01489			N2			
70	22	PA	D01489	14		31-51-11	GDX0003	D.	2	N2	2		
71	20	UA	D01381			31-51-11	GDX0002	S.	2	N2	2		
72	20	UA	D00823			31-51-11	GDX0002	S.	2	N2	2		
73	20	UA	D00817			31-51-11	GDX0002	S.	2	N2	2		
74	20	PA	SM00026		W	31-51-11	GDX0005	D.	2	N2	2		
75	20	UA	D01487			31-51-11	GDX0005	S.	2	N2	2		
76	20	UA	GDX0005		2	31-51-11	D01489			N2	2		
77	24	PK	D02261	40		31-41-35	D04349J	1		N2	2		
78	20	PA	SM00027		W	31-51-11	GDX0005	D.	2	N2	2		
79	22	PA	D00813	60		31-51-12	GDX0003	S.	2	N2	3		
80	22	PA	D00821	15		31-51-12	GDX0002	D.	2	N2	2		
81	24	PV	D00813	26		31-51-12	D00821	30		N2	3		
081Z			D00813	DED		31-51-12	D00821			N2			
82	24	PV	D00821	33		31-51-12	D00813	49		N2	3		
082Z			D00821			31-51-12	D00813	DED		N2			
83	24	PV	D00821	24		31-51-12	D00813	35		N2	3		
083Z			D00813	DED		31-51-12	D00821			N2			
84	24	PK	D00821	19		31-51-12	SM00025		W	N2	1		
85	24	PK	D00813	65		31-51-12	SM00025		W	N2	2		
86	24	PK	D00819	3		31-51-12	SM00025		W	N2	1		
87	24	PK	D01433	18		31-51-12	SM00025		W	N2	1		
88	22	PA	D01433	15		31-51-12	GDX0002	D.	2	N2	2		
89	24	PV	D01433	30		31-51-12	SM00054		W	N2	1		
089Z			SM00054	REF		31-51-12	D01433			N2			
90	24	PV	D01433	33		31-51-12	SM00055		W	N2	1		

286T0045-322
Wire Bundle Assembly
Figure 121 (Sheet 4)

25-71-02

WIRE		FROM EQUIPMENT			TO EQUIPMENT			WIRE INFO					
NUMBER	GA	TYP	NUMBER	TERM	TT	WDM REF	NUMBER	TERM	TT	EMC/ SEP	FT	NOTES	EFFECTIVITY
090Z			SM00055	REF		31-51-12	D01433			N2	1		
91	24	PV	D01433	24		31-51-12	SM00056		W	N2			
091Z			SM00056	REF		31-51-12	D01433			N2			
92	22	PA	D00819	15		31-51-12	GDX0002	D.	2	N2	2		
93	24	PV	D00819	30		31-51-12	D00813	13		N2	3		
093Z			D00813	DED		31-51-12	D00819			N2			
94	20	PA	SM00032		W	31-51-12	GDX0005	D.	2	N2			
95	24	PV	D01505	X2		31-51-12	D00813	75		N2	3		
095Z			D00813	DED		31-51-12	D01505			N2			
96	24	PV	D01505	X1		31-51-12	SM00016		W	N2	1		
096Z			SM00016	REF		31-51-12	D01505			N2			
97	24	PV	D00813	46		31-51-12	SM00016		W	N2	2		
097Z			SM00016	REF		31-51-12	D00813	DED		N2			
98	20	PA	SM00033		W	31-51-12	GDX0005		2	N2			
99	24	PK	SM00016		W	31-51-12	D11553	25		N2	1		
100	20	PA	D11553	1		31-51-12	GDX0003	D.	2	N2	2		
101	20	UA	D00821			31-51-12	GDX0004	S.	2	N2	2		
102	20	UA	D00819			31-51-12	GDX0004	S.	2	N2	2		
103	20	UA	D01433			31-51-12	GDX0004	S.	2	N2	2		
104	20	UA	D01505			31-51-12	GDX0004	S.	2	N2	2		
106	20	UA	D00815			31-51-12	GDX0005	S.	2	N2	2		
107	20	UA	D01381			31-51-12	GDX0004	S.	2	N2	2		
109	20	UA	D00817			31-51-12	GDX0004	S.	2	N2	2		
110	20	UA	D01487			31-51-12	GDX0001	S.	2	N2	2		
111	20	UA	D01489			31-51-12	GDX0001	S.	2	N2	2		
112	22	PA	D00815	15		31-51-12	GDX0001	D.	2	N2	2		
113	24	PK	D01505	A2		31-51-12	SM00005		W	N2	1		
114	20	PA	D01505	A3		31-51-12	GDX0003	D.	2	N2	2		
115	24	PK	D02261	21		21-61-51	D04347J	25		N2	2		
116	24	PK	D00815	21		31-51-12	SM00023		W	N2	1		
117	24	PK	D00813	63		31-51-12	SM00023		W	N2	2		
118	24	PK	D00823	1		31-51-12	SM00023		W	N2	1		
119	24	PK	D01381	1		31-51-12	SM00023		W	N2	1		

286T0045-322
Wire Bundle Assembly
Figure 121 (Sheet 5)

25-71-02



BOEING
COMPONENT
MAINTENANCE MANUAL

WIRE			FROM EQUIPMENT			TO EQUIPMENT			WIRE INFO				
NUMBER	GA	TYP	NUMBER	TERM	TT	WDM REF	NUMBER	TERM	TT	EMC/SEP	FT	NOTES	EFFECTIVITY
120	22	PA	D01381	15		31-51-12	GDX0001	D..	2	N2	2		
121	24	PK	D00817	56		31-51-12	SM00024		W	N2	1		
122	24	PK	D00813	64		31-51-12	SM00024		W	N2	2		
123	24	PK	D01487	56		31-51-12	SM00024		W	N2	1		
124	22	PA	D00823	15		31-51-12	GDX0001	D..	2	N2	2		
125	20	UA	D00823			31-51-12	GDX0004	S..	2	N2	2		
126	24	PV	D00823	33		31-51-12	D00813	15		N2	3		
126Z			D00823			31-51-12	D00813	DED		N2			
127	24	PV	D00823	24		31-51-12	D00813	20		N2	3		
127Z			D00823			31-51-12	D00813	DED		N2			
128	22	PA	D00817	15		31-51-12	GDX0002	D..	2	N2	2		
129	24	PV	D00817	30		31-51-12	D00813	51		N2	3		
129Z			D00817			31-51-12	D00813	DED		N2			
130	24	PV	D00817	33		31-51-12	D00813	74		N2	3		
130Z			D00817			31-51-12	D00813	DED		N2			
131	24	PV	D00813	11		31-51-12	D01381	30		N2	3		
131Z			D01381			31-51-12	D00813	DED		N2			
132	24	PV	D00813	16		31-51-12	D01381	33		N2	3		
132Z			D01381			31-51-12	D00813	DED		N2			
133	24	PV	D01381	24		31-51-12	D00813	21		N2	3		
133Z			D01381			31-51-12	D00813	DED		N2			
134	24	PK	D01489	50		31-51-12	SM00024		W	N2	1		
135	24	PV	D01487	30		31-51-12	D00813	47		N2	3		
135Z			D01487			31-51-12	D00813	DED		N2			
136	24	PV	D01487	33		31-51-12	D00813	70		N2	3		
136Z			D01487			31-51-12	D00813	DED		N2			
137	22	PA	D01487	15		31-51-12	GDX0003	D..	2	N2	2		
138	24	PV	D01489	30		31-51-12	D00813	45		N2	3		
138Z			D01489			31-51-12	D00813	DED		N2			
139	24	PV	D01489	33		31-51-12	D00813	50		N2	3		
139Z			D01489			31-51-12	D00813	DED		N2			
140	24	PV	D01489	24		31-51-12	D00813	36		N2	3		
140Z			D01489			31-51-12	D00813	DED		N2			

286T0045-322
Wire Bundle Assembly
Figure 121 (Sheet 6)

25-71-02

WIRE			FROM EQUIPMENT			TO EQUIPMENT			WIRE INFO				
NUMBER	GA	TYP	NUMBER	TERM	TT	WDM REF	NUMBER	TERM	TT	EMC/SEP	FT	NOTES	EFFECTIVITY
141	22	PA	D01489	15		31-51-12	GDX0003	D.	2	N2	2		
142	24	PK	D00813	33		31-51-12	D11553	26		N2	3		
143	24	PK	D11553	27		31-51-12	D00813	34		N2	3		
144	24	PV	D00813	12		31-51-12	D00815	30		N2	3		
144Z			D00813	DED		31-51-12	D00815			N2			
145	20	PA	SM00030		W	31-51-12	GDX0005	D.	2	N2			
146	24	PV	D00813	17		31-51-12	D00815	33		N2	3		
146Z			D00813	DED		31-51-12	D00815			N2			
147	24	PV	D00813	22		31-51-12	D00815	24		N2	3		
147Z			D00813	DED		31-51-12	D00815			N2			
148	24	PV	D00813	10		31-51-12	D00823	30		N2	3		
148Z			D00813	DED		31-51-12	D00823			N2			
149	20	PA	SM00031		W	31-51-12	GDX0005	D.	2	N2			
150	22	PA	D04301J	6		27-32-11	D00823	34		N2	2		
151	24	PK	D04509J	1		27-32-11	D00823	39		N2	2		
152	24	PK	D04347J	26		27-32-11	D00823	40		N2	2		
153	24	PK	D00823	31		27-32-11	D04509J	6		N2	2		
154	20	PA	D04509J	7		27-32-11	GDX0001	D.	2	N2	2		
155	24	PK	SM00037		W	27-32-11	D04511J	3		N2	1		
156	24	PK	D00823	38		27-32-11	D04511J	2		N2	2		
157	24	PK	D04511J	4		27-32-11	SM00050		W	N2	1		
158	24	PK	SM00037		W	27-32-11	D00823	4		N2	1		
159	24	PK	D04349J	14		27-32-11	D00823	36		N2	1		
160	24	PK	D04349J	15		27-32-11	D00823	3		N2	1		
161	24	PK	D04349J	16		27-32-11	D00823	43		N2	1		
162	24	PK	D04349J	10		27-32-11	D00823	2		N2	1		
165	22	PA	D04349J	11		27-32-21	D01381	34		N2	2		
166	24	PK	D01381	40		27-32-21	D04349J	6		N2	2		
167	24	PK	D01381	31		27-32-21	D04511J	7		N2	2		
168	20	PA	GDX0002		2	27-32-21	D04511J	8		N2	2		
169	24	PK	D04349J	34		27-32-21	D01381	36		N2	2		
170	24	PK	D04349J	35		27-32-21	D01381	3		N2	2		
171	24	PK	D04349J	36		27-32-21	D01381	43		N2	2		

286T0045-322
Wire Bundle Assembly
Figure 121 (Sheet 7)

25-71-02



BOEING
COMPONENT
MAINTENANCE MANUAL

WIRE			FROM EQUIPMENT			TO EQUIPMENT			WIRE INFO				
NUMBER	GA	TYP	NUMBER	TERM	TT	WDM REF	NUMBER	TERM	TT	EMC/SEP	FT	NOTES	EFFECTIVITY
172	24	PK	D04349J	37		27-32-21	D01381	2		N2	2		
173	24	PK	D04511J	13		27-32-21	D01381	4		N2	2		
174	24	PK	D04511J	16		27-32-21	D01381	37		N2	2		
175	24	PK	D04511J	15		27-32-21	D01381	38		N2	2		
176	24	PK	D04509J	8		27-32-21	D01381	39		N2	2		
177	24	PK	D00815	34		31-51-21	SM00057		W	N2	1		
178	24	PK	D00815	43		31-51-21	D01433	19		N2	2		
179	24	PK	D00815	10		31-51-21	D00819	5		N2	2		
180	24	PK	D04507J	5		31-51-21	SM00034		W	N2	1		
181	24	PK	SM00058		W	31-51-21	D00815	66		N2	1		
182	24	PK	D00815	4		31-51-21	SM00034		W	N2	1		
183	24	PK	D00815	11		31-51-21	D04349J	39		N2	2		
184	22	PA	D00815	37		31-51-21	SM00035		W	N2	1		
185	22	PA	D00815	42		31-51-21	SM00036		W	N2	1		
186	24	PK	D04349J	5		31-51-21	SM00012		W	N2	1		
187	24	PK	D00815	2		31-51-21	SM00012		W	N2	1		
188	24	PK	SM00011		W	31-51-21	D04349J	4		N2	1		
189	24	PK	SM00011		W	31-51-21	D00815	35		N2	1		
190	24	PK	D04349J	12		31-51-21	SM00009		W	N2	1		
191	24	PK	D00815	44		31-51-21	SM00009		W	N2	1		
192	24	PK	D04347J	10		31-51-21	SM00008		W	N2	1		
193	24	PK	D00815	1		31-51-21	SM00008		W	N2	1		
194	24	PK	D04347J	11		31-51-21	SM00010		W	N2	1		
195	24	PK	D00815	36		31-51-21	SM00010		W	N2	1		
196	24	PK	SM00039		W	31-51-21	D04347J	21		N2	1		
197	24	PK	D00815	45		31-51-21	SM00039		W	N2	1		
198	24	PK	D00815	46		31-51-21	D04347J	6		N2	2		
199	20	PA	GDX0004	S..	2	31-51-31	D04597J	14		N2	2		
201B	24	PW	D01489	43		31-51-33	SM00004		W	N2	1		
201R	24	PW	D01489	9		31-51-33	SM00003		W	N2			
201Z			D01489	DED		31-51-33	SM00003	REF		N2			
204	20	UA	D04507J			27-32-11	GDX0004	S..	2	N2	2		
204B	24	PW	D00823	18		27-32-11	D04507J	12		N2	1		

286T0045-322
Wire Bundle Assembly
Figure 121 (Sheet 8)

25-71-02

WIRE			FROM EQUIPMENT				TO EQUIPMENT				WIRE INFO			
NUMBER	GA	TYP	NUMBER	TERM	TT	WDM REF	NUMBER	TERM	TT	EMC/SEP	FT	NOTES	EFFECTIVITY	
204R	24	PW	D00823	16		27-32-11	D04507J	11		N2				
204Z			D00823	DED		27-32-11	D04507J			N2				
205B	24	PW	D00815	19		31-51-21	SM00007		W	N2	1			
205R	24	PW	D00815	52		31-51-21	SM00006		W	N2				
205Z			D00815	DED		31-51-21	SM00006	REF		N2				
207	20	UA	D04597J			31-51-21	GDX0004	S..	2	N2	2			
207B	24	PW	SM00007		W	31-51-21	D04597J	4		N2	1			
207R	24	PW	SM00006		W	31-51-21	D04597J	3		N2				
207Z			SM00006	REF		31-51-21	D04597J		2	N2	2			
208	20	UA	D04301J			34-16-11	GDX0002	S..		N2	2			
208B	24	PW	D00821	36		34-16-11	D04301J	9		N2	2			
208R	24	PW	D00821	2		34-16-11	D04301J	8		N2				
208Z			D00821	DED		34-16-11	D04301J			N2				
209B	24	PW	D01489	46		31-51-33	SM00007		W	N2	1			
209R	24	PW	D01489	12		31-51-33	SM00006		W	N2				
209Z			D01489	DED		31-51-33	SM00006	REF		N2				
212B	24	PW	D01433	36		31-51-42	SM00007		W	N2	1			
212R	24	PW	D01433	2		31-51-42	SM00006		W	N2				
212Z			D01433	DED		31-51-42	SM00006	REF		N2				
213	20	UA	D04507J			34-16-11	GDX0004	S..	2	N2	2			
213B	24	PW	D00821	35		34-16-11	D04507J	8		N2	2			
213R	24	PW	D00821	1		34-16-11	D04507J	9		N2				
213Z			D00821	DED		34-16-11	D04507J			N2				
214	20	UA	D04349J			34-16-11	GDX0004	S..	2	N2	2			
214B	24	PW	D00821	37		34-16-11	D04349J	19		N2	2			
214R	24	PW	D00821	3		34-16-11	D04349J	18		N2				
214Z			D00821	DED		34-16-11	D04349J			N2				
215B	24	PL	D01487	24		31-51-31	D04597J	12		N2	2			
215R	24	PL	D01487	23		31-51-31	D04597J	13		N2				
216B	24	PL	D00817	24		31-51-32	D04303J	12		N2	2			
216R	24	PL	D00817	23		31-51-32	D04303J	11		N2				
221B	24	PW	D01489	45		31-51-33	SM00004		W	N2	1		PAJ-F2	
221R	24	PW	D01489	11		31-51-33	SM00003		W	N2			PAJ-F2	

286T0045-322
Wire Bundle Assembly
Figure 121 (Sheet 9)

25-71-02



BOEING
COMPONENT
MAINTENANCE MANUAL

WIRE			FROM EQUIPMENT			TO EQUIPMENT			WIRE INFO				
NUMBER	GA	TYP	NUMBER	TERM	TT	WDM REF	NUMBER	TERM	TT	EMC/SEP	FT	NOTES	EFFECTIVITY
221Z			D01489	DED		31-51-33	SM00003	REF		N2	1	PAJ-F2	
223B	24	PW	D00821	38		34-16-11	SM00004		W	N2			
223R	24	PW	D00821	4		34-16-11	SM00003		W	N2			
223Z			D00821	DED		34-16-11	SM00003	REF		N2	2		
224	20	UA	D04349J			27-32-21	GDX0004	S..	2	N2	2		
224B	24	PW	D04349J	28		27-32-21	D01381	18		N2	2		
224R	24	PW	D04349J	27		27-32-21	D01381	16		N2	2		
224Z			D04349J			27-32-21	D01381	DED		N2	2		
225B	22	PR	D00811	69		31-51-11	SM00060		W	N2	2		
225R	22	PR	D00811	68		31-51-11	SM00060		W	N2	2		
225Z			D00811	DED		31-51-11	SM00028	REF		N2	2		
226B	22	PR	D00813	69		31-51-12	SM00061		W	N2	2		
226R	22	PR	D00813	68		31-51-12	SM00061		W	N2	2		
226Z			D00813	DED		31-51-12	SM00030	REF		N2	2		
230	20	UA	D04347J			31-51-33	GDX0003	S..	2	N2	1		
230B	24	PW	D04347J	18		31-51-33	SM00004		W	N2	2		
230R	24	PW	D04347J	17		31-51-33	SM00003		W	N2	2		
230Z			D04347J			31-51-33	SM00003	REF		N2	2		
236	20	UA	D04347J			27-32-11	GDX0001	S..	2	N2	2		
236B	24	PW	D04347J	37		27-32-11	D00823	54		N2	2		
236R	24	PW	D04347J	36		27-32-11	D00823	23		N2	2		
236Z			D04347J			27-32-11	D00823	DED		N2	2		
237B	24	PW	D04347J	40		27-32-11	D00823	13		N2	2		
237R	24	PW	D04347J	39		27-32-11	D00823	12		N2	2		
237Z			D04347J			27-32-11	D00823	DED		N2	2		
238	20	UA	D04349J			27-32-21	GDX0001	S..	2	N2	2		
238B	24	PW	D04349J	49		27-32-21	D01381	54		N2	2		
238R	24	PW	D04349J	48		27-32-21	D01381	23		N2	2		
238Z			D04349J			27-32-21	D01381	DED		N2	2		
239B	24	PW	D01381	20		27-32-21	D04349J	55		N2	2		
239R	24	PW	D01381	19		27-32-21	D04349J	54		N2	2		
239Z			D01381	DED		27-32-21	D04349J			N2	2		
240B	24	PL	D04347J	23		31-51-31	SM00080		W	N2	1		

286T0045-322
Wire Bundle Assembly
Figure 121 (Sheet 10)

25-71-02

WIRE			FROM EQUIPMENT			TO EQUIPMENT			WIRE INFO				
NUMBER	GA	TYP	NUMBER	TERM	TT	WDM REF	NUMBER	TERM	TT	EMC/SEP	FT	NOTES	EFFECTIVITY
240R	24	PL	D04347J	22		31-51-31	SM00042			W N2	1		
241B	24	PL	D01487	60		31-51-31	SM00080			W N2	1		
241R	24	PL	D01487	28		31-51-31	SM00042			W N2	1		
242B	24	PL	D00817	60		31-51-32	SM00080			W N2	1		
242R	24	PL	D00817	28		31-51-32	SM00042			W N2	2		
243B	24	PW	D04349J	52		27-32-21	D01381	13		N2			
243R	24	PW	D04349J	51		27-32-21	D01381	12		N2			
243Z			D04349J			27-32-21	D01381	DED		N2			
245B	24	PW	D00823	20		27-32-11	D04347J	48		N2	2		
245R	24	PW	D00823	19		27-32-11	D04347J	47		N2			
245Z			D00823	DED		27-32-11	D04347J			N2			
247	20	UA	D04349J			31-41-35	GDX0006	S..	2	N2	2		
247B	24	PW	D02261	42		31-41-35	D04349J	57		N2	2		
247R	24	PW	D02261	43		31-41-35	D04349J	56		N2			
247Z			D02261	DED		31-41-35	D04349J			N2			
248	20	UA	D04349J			28-41-11	GDX0006	S..	2	N2	2		
248B	24	PW	D02261	5		28-41-11	D04349J	60		N2	2		
248R	24	PW	D02261	8		28-41-11	D04349J	59		N2			
248Z			D02261	DED		28-41-11	D04349J			N2			
271R	24	PL	D04597J	5		31-51-31	SM00088			W N2	1		
271R	24	PL	D04597J	2		31-51-31	SM00087			W N2	1		
272B	24	PL	D01487	63		31-51-31	SM00088			W N2	1		
272R	24	PL	D01487	62		31-51-31	SM00087			W N2	1		
273B	24	PL	D00817	63		31-51-32	SM00088			W N2	1		
273R	24	PL	D00817	62		31-51-32	SM00087			W N2	2		
289	24	PK	D01489	21		31-51-33	D04509J	5		N2	2		
290B	24	PW	D04597J	8		34-43-15	SM00104			W N2	1		
290R	24	PW	D04597J	7		34-43-15	SM00103			W N2			
290Z			D04597J	9		34-43-15	SM00103	REF		N2			
291B	24	PW	D04303J	4		34-43-15	SM00104			W N2	1		
291R	24	PW	D04303J	3		34-43-15	SM00103			W N2			
291Z			D04303J	5		34-43-15	SM00103	REF		N2			
292B	24	PW	D04347J	53		34-43-15	SM00104			W N2	1		

286T0045-322
Wire Bundle Assembly
Figure 121 (Sheet 11)

25-71-02



BOEING
COMPONENT
MAINTENANCE MANUAL

WIRE			FROM EQUIPMENT			TO EQUIPMENT			WIRE INFO				
NUMBER	GA	TYP	NUMBER	TERM	TT	WDM REF	NUMBER	TERM	TT	EMC/SEP	FT	NOTES	EFFECTIVITY
292R	24	PW	D04347J	51		34-43-15	SM00103		W	N2			
292Z			D04347J	61		34-43-15	SM00103	REF		N2			
301	20	UA	SM00028	REF		31-51-11	GDX0005	S.	2	N2	1		
301B	22	PS	D00811	57		31-51-11	SM00028		W	N2	2		
301R	22	PS	D00811	38		31-51-11	SM00028		W	N2			
301Y	22	PS	D00811	58		31-51-11	SM00028		W	N2			
301Z			D00811	DED		31-51-11	SM00028	REF		N2			
302B	22	PS	D00811	42		31-51-11	SM00029		W	N2	2		
302R	22	PS	D00811	41		31-51-11	SM00029		W	N2			
302Y	22	PS	D00811	43		31-51-11	SM00029		W	N2			
302Z			D00811	DED		31-51-11	SM00028	REF		N2			
303B	22	PS	D00811	8		31-51-11	SM00026		W	N2	2		
303R	22	PS	D00811	7		31-51-11	SM00026		W	N2			
303Y	22	PS	D00811	9		31-51-11	SM00026		W	N2			
303Z			D00811	DED		31-51-11	SM00028	REF		N2			
304B	22	PS	D00811	25		31-51-11	SM00027		W	N2	2		
304R	22	PS	D00811	24		31-51-11	SM00027		W	N2			
304Y	22	PS	D00811	37		31-51-11	SM00027		W	N2			
304Z			D00811	DED		31-51-11	SM00028	REF		N2			
305	20	UA	SM00030	REF		31-51-12	GDX0005	S.	2	N2	1		
305B	22	PS	D00813	8		31-51-12	SM00030		W	N2	2		
305R	22	PS	D00813	7		31-51-12	SM00030		W	N2			
305Y	22	PS	D00813	9		31-51-12	SM00030		W	N2			
305Z			D00813	DED		31-51-12	SM00030	REF		N2			
306B	22	PS	D00813	25		31-51-12	SM00031		W	N2	2		
306R	22	PS	D00813	24		31-51-12	SM00031		W	N2			
306Y	22	PS	D00813	37		31-51-12	SM00031		W	N2			
306Z			D00813	DED		31-51-12	SM00030	REF		N2			
307B	22	PS	D00813	57		31-51-12	SM00032		W	N2	2		
307R	22	PS	D00813	38		31-51-12	SM00032		W	N2			
307Y	22	PS	D00813	58		31-51-12	SM00032		W	N2			
307Z			D00813	DED		31-51-12	SM00030	REF		N2			
308B	22	PS	D00813	42		31-51-12	SM00033		W	N2	2		

286T0045-322
Wire Bundle Assembly
Figure 121 (Sheet 12)

25-71-02

WIRE			FROM EQUIPMENT			TO EQUIPMENT			WIRE INFO				
NUMBER	GA	TYP	NUMBER	TERM	TT	WDM REF	NUMBER	TERM	TT	EMC/SEP	FT	NOTES	EFFECTIVITY
308R	22	PS	D00813	41		31-51-12	SM000033		W	N2			
308Y	22	PS	D00813	43		31-51-12	SM000033		W	N2			
308Z	24	PK	D00813	DED		31-51-12	SM000030	REF		N2			
512	24	PK	D02261	20	W	27-81-31	D04349J	8	2	N2	2		
601	20	PA	SM000060			31-51-11	GDX0004	D.	2	N2			
602	20	PA	SM000061		W	31-51-12	GDX0005	D.	2	N2			
603	24	PV	D04301J	5		31-51-12	M01103	INE	D	N2	1		
603Z	24	PV	D04301J	DED		31-51-12	M01103			N2			
604	24	PV	D04301J	4		31-51-12	D00813	4		N2	3		
604Z	24	PV	D04301J	DED		31-51-12	D00813			N2			
605	24	PV	D00813	1		31-51-12	M01103	OAD	D	N2	3		
605Z	24	PV	D00813			31-51-12	M01103	DED		N2			
606	24	PV	D04349J	32		31-51-11	M01102	INE	D	N2	1		
606Z	24	PV	D04349J	DED		31-51-11	M01102			N2			
607	24	PV	D04349J	33		31-51-11	D00811	4		N2	3		
607Z	24	PV	D04349J	DED		31-51-11	D00811			N2			
608	24	PV	D00811	1		31-51-11	M01102	OAD	D	N2	3		
608Z	24	PV	D00811			31-51-11	M01102	DED		N2			
610	24	PK	D00823	37		27-32-11	SM000050		W	N2	1		
611	24	PK	D01433	6		31-51-42	D04347J	20		N2	2		
612	24	PK	D01433	4		31-51-42	SM000050		W	N2	1		
613	24	PK	D04349J	30		31-51-31	SM000065		W	N2	1		
614	24	PK	D01487	52		31-51-31	SM000065		W	N2	1		
615	24	PK	D00817	52		31-51-32	SM000065		W	N2	1		
617	24	PK	D01381	11		27-32-12	D00823	56		N2	1		
618	24	PK	D01381	56		27-32-12	D00823	11		N2	1		
619	24	PK	D00823	45		27-32-12	SM000082		W	N2	1		
620	24	PK	D04349J	29		31-51-21	SM000071		W	N2	1		
621	24	PK	D00815	7		31-51-21	SM000071		W	N2	1		
622	24	PK	D01489	2		31-51-33	SM000071		W	N2	1		
623	24	PK	D01489	36		31-51-33	SM000038		W	N2	1		
624	24	PK	D00815	8		31-51-21	SM000045		W	N2	1		
625	24	PK	D01487	9		31-51-31	SM000034		W	N2	1		

286T0045-322
Wire Bundle Assembly
Figure 121 (Sheet 13)

25-71-02



BOEING
COMPONENT
MAINTENANCE MANUAL

WIRE			FROM EQUIPMENT				TO EQUIPMENT				WIRE INFO			
NUMBER	GA	TYP	NUMBER	TERM	TT	WDM REF	NUMBER	TERM	TT	EMC/SEP	FT	NOTES	EFFECTIVITY	
631	24	PK	D00817	9		31-51-32	SM00034		W	N2	1			
644	22	PQ	D00823	66		27-32-31	D04347J	42		N2	2			
644Z			D00823	DED		27-32-31	D04347J	DED		N2				
646	22	PQ	D01381	66		27-32-31	D04349J	42		N2	2			
646Z			D01381	DED		27-32-31	D04349J	DED		N2				
681	24	PK	D01433	10		31-51-43	D04507J	10		N2	2			
682	24	PK	D01433	13		31-51-43	D04347J	46		N2	2			
683	22	PA	D01433	41		31-51-43	SM00081		W	N2	1			
684	20	PA	GDX0001	D.	2	31-51-43	D04349J	47		N2	2			
685	24	PK	D00823	58		27-32-12	D01505	A1		N2	2			
686	24	PK	D00823	8		27-32-11	SM00038		W	N2	1			
687	24	PK	D00823	64		27-32-11	SM00081		W	N2	1			
688	24	PK	D01381	58		27-32-22	D01503	A1		N2	2			
689	24	PK	D01381	45		27-32-22	SM00085		W	N2	1			
692	24	PK	D01381	8		27-32-21	SM00038		W	N2	1			
693	24	PK	D04347J	30		31-51-21	D00815	6		N2	2			
694	22	PA	D04349J	46		31-51-43	SM00081		W	N2	1			
696	20	PA	GDX0003	D.	2	27-32-12	SM00082		W	N2	1			
697	20	PA	GDX0003	D.	2	27-32-22	SM00085		W	N2	1			
701	24	PK	D00815	49		31-51-21	D00815	22		N2				
702	24	PK	D00815	16		31-51-21	D00815	48		N2				
703	24	PK	D00819	6		31-51-41	SM00019		W	N2	1			
704	24	PK	SM00075		W	31-51-41	D04511J	14		N2	1			
705	24	PK	D00819	45		31-51-41	D04511J	12		N2	2			
706	24	PK	D00819	10		31-51-41	D04349J	31		N2	2			
707	24	PK	D00819	21		31-51-41	D04509J	4		N2	2			
708	24	PK	D00819	9		31-51-41	D04349J	7		N2	2			
709	24	PK	D00819	39		31-51-41	SM00044		W	N2	1			
710	24	PK	D00819	43		31-51-41	SM00037		W	N2	1			
711	24	PK	D00819	12		31-51-41	D04349J	21		N2	2			
712	24	PK	D00819	53		31-51-41	D04349J	3		N2	2			
713	24	PK	D00819	20		31-51-41	D04347J	9		N2	2			
714	24	PK	D00819	44		31-51-41	D04349J	24		N2	2			

286T0045-322
Wire Bundle Assembly
Figure 121 (Sheet 14)

25-71-02

WIRE			FROM EQUIPMENT			TO EQUIPMENT			WIRE INFO				
NUMBER	GA	TYP	NUMBER	TERM	TT	WDM REF	NUMBER	TERM	TT	EMC/SEP	FT	NOTES	EFFECTIVITY
715	24	PK	D04507J	6		31-51-42	SM00019		W	N2	1		
716	24	PK	D01433	34		31-51-42	SM00019		W	N2	1		
717	24	PK	D01433	37		31-51-42	SM00034		W	N2	1		
718	24	PK	D01433	39		31-51-42	D04509J	2	W	N2	2		
720	24	PK	D01433	52		31-51-42	SM00040		W	N2	1		
721	24	PK	D01433	38		31-51-42	D04347J	24	W	N2	2		
722	24	PK	D01433	5		31-51-42	D04349J	22	W	N2	2		
723	24	PK	D04511J	11		31-51-42	SM00038		W	N2	1		
724	24	PK	D01433	40		31-51-42	SM00038		W	N2	1		
725	24	PK	D01433	3		31-51-42	D04347J	13	W	N2	2		
726	22	PA	D04347J	14		31-51-21	SM00036		W	N2	1		
727	22	PA	D04301J	11		31-51-21	SM00035		W	N2	1		
728	24	PK	D04347J	1		31-51-41	D00819	35	W	N2	2		
729	24	PK	D04347J	2		31-51-41	D00819	1	W	N2	2		
730	24	PK	D04347J	3		31-51-41	D00819	36	W	N2	2		
731	24	PK	D04347J	4		31-51-41	D00819	2	W	N2	2		
732	24	PK	D04347J	5		31-51-42	D01433	20	W	N2	2		
733	24	PK	D04347J	16		34-16-11	D00821	65	W	N2	2		
734	24	PK	D04347J	8		31-51-31	SM00046		W	N2	1		
735	24	PK	D04507J	7		34-16-11	D00821	34	W	N2	2		
736	24	PK	D04507J	2		34-16-11	D00821	66	W	N2	2		
737	24	PK	SM00041		W	34-16-11	D00821	31	W	N2	1		
738	24	PK	D04347J	19		34-16-11	D00821	7	W	N2	2		
739	24	PK	SM00075		W	34-16-11	D00821	6	W	N2	1		
740	24	PK	SM00038		W	34-16-11	D00821	40	W	N2	1		
741	24	PK	D00821	18		34-16-11	D00821	22	W	N2	2		
742	24	PK	D00821	50		34-16-11	D00821	48	W	N2	2		
746	24	PK	D04597J	10		31-51-31	SM00043		W	N2	1		
747	24	PK	D01487	46		31-51-31	SM00043		W	N2	1		
748	24	PK	D04347J	7		31-51-31	SM00045		W	N2	1		
749	24	PK	D01487	10		31-51-31	SM00045		W	N2	1		
750	24	PK	D01487	19		31-51-31	SM00046		W	N2	1		
751	24	PK	D01487	13		31-51-31	SM00040		W	N2	1		

286T0045-322
Wire Bundle Assembly
Figure 121 (Sheet 15)

25-71-02



BOEING
COMPONENT
MAINTENANCE MANUAL

WIRE			FROM EQUIPMENT			TO EQUIPMENT			WIRE INFO				
NUMBER	GA	TYP	NUMBER	TERM	TT	WDM REF	NUMBER	TERM	TT	EMC/SEP	FT	NOTES	EFFECTIVITY
752	24	PK	D01487	47		31-51-31	SM00044		W	N2	1		
753	24	PK	D01487	51		31-51-31	SM00041		W	N2	1		
755	24	PV	D01487	1		31-51-31	SM00035		W	N2	1		
755Z			D01487	DED		31-51-31	SM00035	DED		N2			
756	24	PK	D01487	50		31-51-31	SM00036		W	N2	1		
757	24	PK	D01487	11		31-51-31	SM00039		W	N2	1		
758	24	PK	D01487	22		31-51-31	D01489	23		N2	2		
759	24	PK	D01487	55		31-51-31	D01489	47		N2	2		
760	24	PK	D01487	34		31-51-31	D01489	51		N2	2		
761	24	PK	D01487	66		31-51-31	D01489	57		N2	2		
762	24	PK	D00817	10		31-51-32	SM00045		W	N2	1		
763	24	PK	D00817	46		31-51-32	SM00043		W	N2	1		
764	24	PV	D00817	1		31-51-32	SM00035		W	N2	1		
764Z			D00817	DED		31-51-32	SM00035	DED		N2			
765	24	PK	D00817	50		31-51-32	SM00036		W	N2	1		
766	24	PV	D00817	11		31-51-32	SM00053		W	N2	1		
766Z			D00817	DED		31-51-32	SM00053	DED		N2			
767	24	PK	D00817	19		31-51-32	SM00046		W	N2	1		
768	24	PK	D00817	13		31-51-32	SM00040		W	N2	1		
769	24	PK	D00817	47		31-51-32	SM00044		W	N2	1		
770	24	PK	D00817	51		31-51-32	SM00041		W	N2	1		
772	24	PK	D00817	22		31-51-32	D01489	54		N2	2		
773	24	PK	D00817	55		31-51-32	D01489	13		N2	2		
774	24	PK	D00817	34		31-51-32	D01489	25		N2	2		
775	24	PK	D00817	66		31-51-32	D01489	58		N2	2		
776	24	PK	D01489	42		31-51-33	D04347J	15		N2	2		
777	24	PK	D01489	8		31-51-33	D04349J	13		N2	2		
779	24	PK	D01489	35		31-51-33	D04349J	40		N2	2		
780	24	PK	D01489	53		31-51-33	D04349J	2		N2	2		
781	24	PK	D01489	31		31-51-33	D01489	48		N2			
782	24	PK	D01489	18		31-51-33	D01489	22		N2			
783	24	PK	D01489	38		31-51-33	SM00008		W	N2	1		
784	24	PK	D01489	4		31-51-33	SM00011		W	N2	1		

286T0045-322
Wire Bundle Assembly
Figure 121 (Sheet 16)

25-71-02

WIRE			FROM EQUIPMENT			TO EQUIPMENT			WIRE INFO				
NUMBER	GA	TYP	NUMBER	TERM	TT	WDM REF	NUMBER	TERM	TT	EMC/SEP	FT	NOTES	EFFECTIVITY
785	24	PK	D01489	37		31-51-33	SM00012		W	N2	1		
786	24	PK	D01489	3		31-51-33	SM00010		W	N2	1		
787	24	PK	D01489	1		31-51-33	SM00009		W	N2	1		
788	24	PK	D01489	6		31-51-33	SM00034		W	N2	1		
789	24	PK	D01489	41		31-51-33	D04509J	11		N2	2		
791	24	PK	D01489	7		31-51-33	D04509J	10		N2	2		
792	24	PK	D01489	40		31-51-33	D04509J	9		N2	2		
793	24	PK	D00819	11		31-51-41	SM00075		W	N2	1		
794	20	PA	D04303J	10		31-51-32	GDX0004	S..	2	N2	2		
795	24	PK	D01433	9		31-51-42	D01433	48		N2			
796	24	PK	D01433	22		31-51-42	D01433	50		N2			
797	24	PV	D00815	41		31-51-21	SM00053		W	N2	1		
797Z			D00815	DED		31-51-21	SM00053	DED		N2			
798	24	PV	D04349J	9		31-51-21	SM00053		W	N2	1		
798Z			D04349J	DED		31-51-21	SM00053	DED		N2			
817	24	PK	D00823	55		27-32-12	D11553	6		N2	2		
818	24	PK	D00823	21		27-32-12	D11553	4		N2	2		
819	24	PK	D00823	51		27-32-12	D11553	3		N2	2		
820	24	PK	D00823	50		27-32-12	D11553	2		N2	2		
821	24	PK	D00823	49		27-32-12	D11553	7		N2	2		
822	24	PK	D00823	47		27-32-12	D11553	8		N2	2		
823	24	PK	D00823	46		27-32-12	D11553	9		N2	2		
824	24	PK	D00823	53		27-32-12	D11553	5		N2	2		
825	24	PK	D00823	62		27-32-12	D11553	24		N2	2		
826	24	PK	D01381	55		27-32-22	D11553	16		N2	2		
827	24	PK	D01381	21		27-32-22	D11553	14		N2	2		
828	24	PK	D01381	51		27-32-22	D11553	13		N2	2		
829	24	PK	D01381	50		27-32-22	D11553	12		N2	2		
830	24	PK	D01381	49		27-32-22	D11553	17		N2	2		
831	24	PK	D01381	47		27-32-22	D11553	18		N2	2		
832	24	PK	D01381	46		27-32-22	D11553	19		N2	2		
833	24	PK	D01381	53		27-32-22	D11553	15		N2	2		
834	24	PK	D01381	62		27-32-22	D11553	34		N2	2		

286T0045-322
Wire Bundle Assembly
Figure 121 (Sheet 17)

25-71-02



BOEING
COMPONENT
MAINTENANCE MANUAL

WIRE			FROM EQUIPMENT			TO EQUIPMENT			WIRE INFO				
NUMBER	GA	TYP	NUMBER	TERM	TT	WDM REF	NUMBER	TERM	TT	EMC/SEP	FT	NOTES	EFFECTIVITY
835	24	PK	D04349J	50		27-32-21	D01381	64		N2	2		
836	20	PA	D04349J	53		27-32-21	GDX0002	S.	2	N2	2		
837	24	PK	D00823	42		27-32-12	SM00082		W	N2	1		
838	24	PK	D01381	42		27-32-22	SM00085		W	N2	1		
862	22	PA	D02261	30		31-41-35	GDX0006	S.	2	N2	1		
863	22	PA	D02261	32		31-41-35	GDX0006	S.	2	N2	1		
864	22	PA	D02261	33		31-41-35	GDX0006	S.	2	N2	1		
865	22	PA	D02261	64		31-41-35	GDX0006	S.	2	N2	1		
866	24	PV	D02261	27		31-51-11	SM00018		W	N2	1		
866Z			D02261	DED		31-51-11	SM00018	REF		N2	1		
867	24	PV	D02261	28		31-51-11	SM00047		W	N2	1		
867Z			D02261	DED		31-51-11	SM00047	REF		N2	1		
868	24	PV	D02261	29		31-51-12	SM00054		W	N2	1		
868Z			D02261	DED		31-51-12	SM00054	REF		N2	1		
869	24	PK	D02261	34		31-51-12	SM00025		W	N2	1		
870	22	PA	D02261	56		31-51-12	GDX0001	S.	2	N2	2		
871	22	PA	D02261	57		31-51-12	GDX0003	S.	2	N2	2		
872	22	PA	D02261	59		31-51-11	GDX0005	S.	2	N2	1		
873	24	PV	D02261	60		31-51-12	SM00055		W	N2	1		
873Z			D02261	DED		31-51-12	SM00055	REF		N2	1		
874	24	PV	D02261	62		31-51-11	SM00049		W	N2	1		
874Z			D02261	DED		31-51-11	SM00049	REF		N2	1		
875	24	PV	D02261	63		31-51-12	SM00056		W	N2	1		
875Z			D02261	DED		31-51-12	SM00056	REF		N2	1		
876	24	PK	D02261	65		31-51-11	SM00022		W	N2	1		
877	24	PV	D00811	14		31-51-11	SM00018		W	N2	2		
877Z			D00811	DED		31-51-11	SM00018	REF		N2	2		
878	24	PV	D00811	48		31-51-11	SM00047		W	N2	2		
878Z			D00811	DED		31-51-11	SM00047	REF		N2	2		
879	24	PV	D00811	23		31-51-11	SM00049		W	N2	2		
879Z			D00811	DED		31-51-11	SM00049	REF		N2	2		
880	24	PV	D00813	14		31-51-12	SM00054		W	N2	2		
880Z			D00813	DED		31-51-12	SM00054	REF		N2	2		

286T0045-322
Wire Bundle Assembly
Figure 121 (Sheet 18)

25-71-02

WIRE			FROM EQUIPMENT			TO EQUIPMENT			WIRE INFO				
NUMBER	GA	TYP	NUMBER	TERM	TT	WDM REF	NUMBER	TERM	TT	EMC/SEP	FT	NOTES	EFFECTIVITY
881	24	PV	D00813	48		31-51-12	SM00055		W	N2	2		
881Z			D00813	DED		31-51-12	SM00055	REF		N2			
882	24	PV	D00813	23		31-51-12	SM00056		W	N2	2		
882Z			D00813	DED		31-51-12	SM00056	REF		N2			
883	22	PA	D02261	15		38-32-11	D04349J	26		N2	2		
884	22	PA	D02261	47		38-32-11	D04347J	27		N2	2		
885	24	PK	D04303J	9		31-51-21	SM00057		W	N2	1		
886	24	PK	D04507J	3		31-51-21	SM00058		W	N2	1		
887	24	PK	D04507J	1		31-51-21	SM00058		W	N2	1		
888	24	PK	SM00057		W	31-51-21	D04349J	44		N2	1		

286T0045-322
 Wire Bundle Assembly
 Figure 121 (Sheet 19)

25-71-02



BOEING
COMPONENT
MAINTENANCE MANUAL

WIRE			FROM EQUIPMENT			TO EQUIPMENT			WIRE INFO				
NUMBER	GA	TYP	NUMBER	TERM	TT	WDM REF	NUMBER	TERM	TT	EMC/SEP	FT	NOTES	EFFECTIVITY
FRA			M01103			31-51-12	M01103	GND	D	N2			
FRB			D00813	REF		31-51-12	D00813	59		N2			
FRC			M01102			31-51-11	M01102	GND	D	N2			
FRD			D00811	REF		31-51-11	D00811	59		N2			
FRG			D04349J	58		31-41-35	D04349J	REF		N2			
FRH			D04349J	61		28-41-11	D04349J	REF		N2			
PA1			D00815	47		99-99-99	D00815	63		N2		DAW-B2	
PA2			D00817	8		99-99-99	D00817	57		N2		DAW-B2	
PA3			D00819	41		99-99-99	D00819	55		N2		DAW-B2	
PA4			D00821	43		99-99-99	D00821	60		N2		DAW-B2	
PA5			D00823	52		99-99-99	D00823	65		N2		DAW-B2	
PA6			D01433	44		99-99-99	D01433	61		N2		DAW-B2	
PA7			D01381	52		99-99-99	D01381	65		N2		DAW-B2	
PA8			D01487	8		99-99-99	D01487	57		N2		DAW-B2	
PA9			D01489	56		99-99-99	D01489	65		N2		DAW-B2	
PB4			D02261	54		99-99-99	D02261	61		N2		DAW-B2	
P01		SE	D11553							N2			
1	22	PA	D00811	60		31-51-11	GDX0001	S..	2	N2	3		
2	22	PA	D00821	14		31-51-11	GDX0002	D..	2	N2	2		
3	24	PV	D00811	26		31-51-11	D00821	27		N2	3		
003Z			D00811	DED		31-51-11	D00821	REF		N2			
4	24	PV	D00811	49		31-51-11	D00821	32		N2	3		
004Z			D00811	DED		31-51-11	D00821	REF		N2			
5	24	PV	D00811	35		31-51-11	D00821	17		N2	3		
005Z			D00811	DED		31-51-11	D00821	REF		N2			
6	24	PK	SM00022		W	31-51-11	D00821	51		N2	1		
7	24	PK	D00811	65		31-51-11	SM00022		W	N2	2		
8	24	PK	D00819	37		31-51-11	SM00022		W	N2	1		
9	24	PV	D00819	27		31-51-11	D00811	13		N2	3		
009Z			D00811	DED		31-51-11	D00819	REF		N2			
01A	24	PK	D04349J	43		31-51-33	D01489	49		N2	2		
10	22	PA	D00819	14		31-51-11	GDX0001	D..	2	N2	2		
11	24	PK	D01433	51		31-51-11	SM00022		W	N2	1		

286T0045-324
Wire Bundle Assembly
Figure 122 (Sheet 1)

25-71-02

WIRE		FROM EQUIPMENT			TO EQUIPMENT			WIRE INFO					
NUMBER	GA	TYP	NUMBER	TERM	TT	WDM REF	NUMBER	TERM	TT	EMC/SEP	FT	NOTES	EFFECTIVITY
12	24	PV	SM00018		W	31-51-11	D01433	27		N2	1		
012Z			SM00018	REF		31-51-11	D01433	REF		N2			
13	24	PV	SM00047		W	31-51-11	D01433	32		N2	1		
013Z			SM00047	REF		31-51-11	D01433	REF		N2			
14	24	PV	SM00049		W	31-51-11	D01433	17		N2	1		
014Z			SM00049	REF		31-51-11	D01433	REF		N2			
15	22	PA	D01433	14	W	31-51-11	GDX0001	D..	2	N2	2		
16	20	PA	SM00028			31-51-11	GDX0005	D..	2	N2			
17	20	PA	GDX0002	S..	2	31-51-11	D00821	REF		N2	2		
18	20	PA	GDX0005	S..	2	31-51-11	D00819	REF		N2	2		
19	20	PA	D01433	REF		31-51-11	GDX0002	S..	2	N2	2		
20	20	PA	GDX0005	D..	2	31-51-11	SM00029		W	N2			
21	20	PA	GDX0002	S..	2	31-51-11	D01503	REF		N2	2		
23	20	PA	D00815	REF		31-51-11	GDX0002	S..	2	N2	2		
24	24	PK	D04349J	38		31-51-11	SM00005		W	N2	1		
25	24	PK	D01503	A2		31-51-11	SM00005		W	N2	1		
26	20	PA	D01503	A3		31-51-11	GDX0003	D..	2	N2	2		
27	22	PQ	D01503	X2		31-51-11	D00811	75		N2	4		
037Z			D00811	DED		31-51-11	D01503	REF		N2			
28	24	PV	D01503	X1		31-51-11	SM00015		W	N2	1		
028Z			SM00015	REF		31-51-11	D01503	REF		N2			
29	24	PV	D00811	46		31-51-11	SM00015		W	N2	2		
029Z			SM00015	REF		31-51-11	D00811	DED		N2			
30	24	PK	SM00015		W	31-51-11	D11553	35		N2	1		
32	20	PA	D11553	11		31-51-11	GDX0003	D..	2	N2	2		
33	24	PK	D11553	37		31-51-11	D00811	34		N2	4		
34	24	PK	D11553	36		31-51-11	D00811	33		N2	4		
35	22	PA	D00815	14		31-51-11	GDX0001	D..	2	N2	2		
36	24	PV	D00815	27		31-51-11	D00811	12		N2	3		
036Z			D00811	DED		31-51-11	D00815	REF		N2			
37	24	PV	D00815	32		31-51-11	D00811	17		N2	3		
037Z			D00811	DED		31-51-11	D00815	REF		N2			
38	24	PV	D00815	17		31-51-11	D00811	22		N2	3		

286T0045-324
Wire Bundle Assembly
Figure 122 (Sheet 2)

25-71-02



BOEING
COMPONENT
MAINTENANCE MANUAL

WIRE		FROM EQUIPMENT			TO EQUIPMENT			WIRE INFO			
NUMBER	GA	TYP	NUMBER	TERM TT	WDM REF	NUMBER	TERM TT	EMC/SEP	FT	NOTES	EFFECTIVITY
038Z			D00811	DED	31-51-11	D00815	REF	N2	1		
39	24	PK	D00815	54	31-51-11	SM00020	W	N2	2		
40	24	PK	D00811	63	31-51-11	SM00020	W	N2	1		
41	24	PK	D00823	35	31-51-11	SM00020	W	N2	1		
42	24	PK	D01381	35	31-51-11	SM00020	W	N2	1		
45	22	PA	D01381	14	31-51-11	GDX0001	D..	N2	2		
46	22	PA	D01381	48	31-51-11	GDX0003	D..	N2	2		
47	24	PV	D01381	27	31-51-11	D00811	11	N2	3		
047Z			D00811	DED	31-51-11	D01381	REF	N2			
48	24	PV	D01381	32	31-51-11	D00811	16	N2	3		
048Z			D00811	DED	31-51-11	D01381	REF	N2			
49	24	PV	D01381	17	31-51-11	D00811	21	N2	3		
049Z			D00811	DED	31-51-11	D01381	REF	N2			
52	22	PA	D00823	14	31-51-11	GDX0001	D..	N2	2		
53	22	PA	D00823	48	31-51-11	GDX0003	D..	N2	2		
54	24	PV	D00823	27	31-51-11	D00811	10	N2	3		
054Z			D00811	DED	31-51-11	D00823	REF	N2			
55	24	PV	D00823	32	31-51-11	D00811	15	N2	3		
055Z			D00811	DED	31-51-11	D00823	REF	N2			
56	24	PV	D00823	17	31-51-11	D00811	20	N2	3		
056Z			D00811	DED	31-51-11	D00823	REF	N2			
57	22	PA	D00817	14	31-51-11	GDX0002	D..	N2	2		
58	24	PV	D00817	27	31-51-11	D00811	51	N2	3		
058Z			D00811	DED	31-51-11	D00817	REF	N2			
59	24	PV	D00817	32	31-51-11	D00811	74	N2	3		
059Z			D00811	DED	31-51-11	D00817	REF	N2			
60	24	PK	D00817	45	31-51-11	SM00021	W	N2	1		
61	24	PK	D00811	64	31-51-11	SM00021	W	N2	2		
62	24	PK	D01489	16	31-51-11	SM00021	W	N2	1		
63	24	PK	D01487	45	31-51-11	SM00021	W	N2	1		
64	24	PV	D01487	27	31-51-11	D00811	47	N2	3		
054Z			D00811	DED	31-51-11	D01487	REF	N2			
65	24	PV	D01487	32	31-51-11	D00811	70	N2	3		

286T0045-324
Wire Bundle Assembly
Figure 122 (Sheet 3)

25-71-02

WIRE			FROM EQUIPMENT			TO EQUIPMENT			WIRE INFO				
NUMBER	GA	TYP	NUMBER	TERM	TT	WDM REF	NUMBER	TERM	TT	EMC/ SEP	FT	NOTES	EFFECTIVITY
065Z			D00811	DED		31-51-11	D01487	REF		N2	2		
66	22	PA	D01487	14		31-51-11	GDX0003	D..	2	N2	2		
67	24	PV	D01489	27		31-51-11	D00811	45		N2	3		
067Z			D00811	DED		31-51-11	D01489	REF		N2	3		
68	24	PV	D01489	32		31-51-11	D00811	50		N2	3		
068Z			D00811	DED		31-51-11	D01489	REF		N2	3		
69	24	PV	D01489	17		31-51-11	D00811	36		N2	3		
069Z			D00811	DED		31-51-11	D01489	REF		N2	3		
70	22	PA	D01489	14		31-51-11	GDX0003	D..	2	N2	2		
71	20	PA	D01381	REF		31-51-11	GDX0002	S..	2	N2	2		
72	20	PA	D00823	REF		31-51-11	GDX0002	S..	2	N2	2		
73	20	PA	D00817	REF		31-51-11	GDX0002	S..	2	N2	2		
74	20	PA	SM00026		W	31-51-11	GDX0005	D..	2	N2	2		
75	20	PA	D01487	REF		31-51-11	GDX0005	S..	2	N2	2		
76	20	PA	GDX0005	S..	2	31-51-11	D01489	REF		N2	2		
77	24	PK	D02261	40		31-41-35	D04349J	1		N2	2		
78	20	PA	SM00027		W	31-51-11	GDX0005	D..	2	N2	2		
79	22	PA	D00813	60		31-51-12	GDX0003	S..	2	N2	3		
80	22	PA	D00821	15		31-51-12	GDX0002	D..	2	N2	2		
81	24	PV	D00821	30		31-51-12	D00813	26		N2	3		
081Z			D00821	REF		31-51-12	D00813	DED		N2	3		
82	24	PV	D00821	33		31-51-12	D00813	49		N2	3		
082Z			D00821	REF		31-51-12	D00813	DED		N2	3		
83	24	PV	D00821	24		31-51-12	D00813	35		N2	3		
083Z			D00821	REF		31-51-12	D00813	DED		N2	3		
84	24	PK	D00821	19		31-51-12	SM00025		W	N2	1		
85	24	PK	D00813	65		31-51-12	SM00025		W	N2	2		
86	24	PK	D00819	3		31-51-12	SM00025		W	N2	1		
87	24	PK	D01433	18		31-51-12	SM00025		W	N2	1		
88	22	PA	D01433	15		31-51-12	GDX0002	D..	2	N2	2		
89	24	PV	D01433	30		31-51-12	SM00054		W	N2	1		
089Z			SM00054	REF		31-51-12	D01433	REF		N2	1		
90	24	PV	D01433	33		31-51-12	SM00055		W	N2	1		

286T0045-324
Wire Bundle Assembly
Figure 122 (Sheet 4)

25-71-02



BOEING
COMPONENT
MAINTENANCE MANUAL

WIRE		FROM EQUIPMENT			TO EQUIPMENT			WIRE INFO					
NUMBER	GA	TYP	NUMBER	TERM	TT	WDM REF	NUMBER	TERM	TT	EMC/SEP	FT	NOTES	EFFECTIVITY
090Z			SM00055	REF		31-51-12	D01433	REF		N2			
91	24	PV	D01433	24		31-51-12	SM00056		W	N2	1		
091Z			SM00056	REF		31-51-12	D01433	REF		N2			
92	22	PA	D00819	15		31-51-12	GDX0002	D..	2	N2	2		
93	24	PV	D00819	30		31-51-12	D00813	13		N2	3		
093Z			D00813	DED		31-51-12	D00819	REF		N2			
94	20	PA	SM00032		W	31-51-12	GDX0005	D..	2	N2			
95	24	PV	D01505	X2		31-51-12	D00813	75		N2	3		
095Z			D00813	DED		31-51-12	D01505	REF		N2			
96	24	PV	D01505	X1		31-51-12	SM00016		W	N2	1		
096Z			SM00016	REF		31-51-12	D01505	REF		N2			
97	24	PV	D00813	46		31-51-12	SM00016		W	N2	2		
097Z			SM00016	REF		31-51-12	D00813	DED		N2			
98	20	PA	SM00033		W	31-51-12	GDX0005	D..	2	N2			
99	24	PK	SM00016		W	31-51-12	D11553	25		N2	1		
10A	24	PK	D04349J	23		31-51-33	D01489	21		N2	2		
100	20	PA	D11553	1		31-51-12	GDX0003	D..	2	N2	2		
101	20	PA	D00821	REF		31-51-12	GDX0004	S..	2	N2	2		
102	20	PA	D00819	REF		31-51-12	GDX0004	S..	2	N2	2		
103	20	PA	D01433	REF		31-51-12	GDX0004	S..	2	N2	2		
104	20	PA	D01505	REF		31-51-12	GDX0005	S..	2	N2	2		
106	20	PA	D00815	REF		31-51-12	GDX0004	S..	2	N2	2		
107	20	PA	D01381	REF		31-51-12	GDX0004	S..	2	N2	2		
109	20	PA	D00817	REF		31-51-12	GDX0004	S..	2	N2	2		
110	20	PA	D01487	REF		31-51-12	GDX0001	S..	2	N2	2		
111	20	PA	D01489	REF		31-51-12	GDX0001	S..	2	N2	2		
112	22	PA	D00815	15		31-51-12	GDX0001	D..	2	N2	2		
113	24	PK	D01505	A2		31-51-12	SM00005		W	N2	1		
114	20	PA	D01505	A3		31-51-12	GDX0003	D..	2	N2	2		
116	24	PK	D00815	21		31-51-12	SM00023		W	N2	1		
117	24	PK	D00813	63		31-51-12	SM00023		W	N2	2		
118	24	PK	D00823	1		31-51-12	SM00023		W	N2	1		
119	24	PK	D01381	1		31-51-12	SM00023		W	N2	1		

286T0045-324
Wire Bundle Assembly
Figure 122 (Sheet 5)

25-71-02

TESTING & TROUBLE SHOOTING

01

Page 162Q

Nov 01/02

WIRE			FROM EQUIPMENT			TO EQUIPMENT			WIRE INFO				
NUMBER	GA	TYP	NUMBER	TERM	TT	WDM REF	NUMBER	TERM	TT	EMC/SEP	FT	NOTES	EFFECTIVITY
120	22	PA	D01381	15		31-51-12	GDX0001	D..	2	N2	2		
121	24	PK	D00817	56		31-51-12	SM00024		W	N2	1		
122	24	PK	D00813	64		31-51-12	SM00024		W	N2	2		
123	24	PK	D01487	56		31-51-12	SM00024		W	N2	1		
124	22	PA	D00823	15		31-51-12	GDX0001	D..	2	N2	2		
125	20	PA	D00823	REF		31-51-12	GDX0004	S..	2	N2	2		
126	24	PV	D00823	33		31-51-12	D00813	15		N2	3		
126Z			D00823	REF		31-51-12	D00813	DED		N2			
127	24	FV	D00823	24		31-51-12	D00813	20		N2	3		
127Z			D00823	REF		31-51-12	D00813	DED		N2			
128	22	PA	D00817	15		31-51-12	GDX0002	D..	2	N2	2		
129	24	PV	D00817	30		31-51-12	D00813	51		N2	3		
129Z			D00817	REF		31-51-12	D00813	DED		N2			
130	24	FV	D00817	33		31-51-12	D00813	74		N2	3		
130Z			D00817	REF		31-51-12	D00813	DED		N2			
131	24	PV	D00813	11		31-51-12	D01381	30		N2	3		
131Z			D01381	REF		31-51-12	D00813	DED		N2			
132	24	FV	D00813	16		31-51-12	D01381	33		N2	3		
132Z			D01381	REF		31-51-12	D00813	DED		N2			
133	24	PV	D01381	24		31-51-12	D00813	21		N2	3		
133Z			D01381	REF		31-51-12	D00813	DED		N2			
134	24	PK	D01489	50		31-51-12	SM00024		W	N2	1		
135	24	FV	D01487	30		31-51-12	D00813	47		N2	3		
135Z			D01487	REF		31-51-12	D00813	DED		N2			
136	24	PV	D01487	33		31-51-12	D00813	70		N2	3		
136Z			D01487	REF		31-51-12	D00813	DED		N2			
137	22	PA	D01487	15		31-51-12	GDX0003	D..	2	N2	2		
138	24	FV	D01489	30		31-51-12	D00813	45		N2	3		
138Z			D01489	REF		31-51-12	D00813	DED		N2			
139	24	PV	D01489	33		31-51-12	D00813	50		N2	3		
139Z			D01489	REF		31-51-12	D00813	DED		N2			
140	24	FV	D01489	24		31-51-12	D00813	36		N2	3		
140Z			D01489	REF		31-51-12	D00813	DED		N2			

286T0045-324

Wire Bundle Assembly
Figure 122 (Sheet 6)

25-71-02

TESTING & TROUBLE SHOOTING
01 Page 162R
Nov 01/02



BOEING
COMPONENT
MAINTENANCE MANUAL

WIRE			FROM EQUIPMENT				TO EQUIPMENT				WIRE INFO			
NUMBER	GA	TYP	NUMBER	TERM	TT	WDM REF	NUMBER	TERM	TT	EMC/SEP	FT	NOTES	EFFECTIVITY	
141	22	PA	D01489	15		31-51-12	GDX0003	D..	2	N2	2			
142	24	PK	D00813	33		31-51-12	D11553	26		N2	3			
143	24	PK	D11553	27		31-51-12	D00813	34		N2	3			
144	24	PV	D00813	12		31-51-12	D00815	30		N2	3			
144Z			D00813	DED		31-51-12	D00815	REF		N2				
145	20	PA	SM00030		W	31-51-12	GDX0005	D..	2	N2				
146	24	PV	D00813	17		31-51-12	D00815	33		N2	3			
146Z			D00813	DED		31-51-12	D00815	REF		N2				
147	24	PV	D00813	22		31-51-12	D00815	24		N2	3			
147Z			D00813	DED		31-51-12	D00815	REF		N2				
148	24	PV	D00813	10		31-51-12	D00823	30		N2	3			
148Z			D00813	DED		31-51-12	D00823	REF		N2				
149	20	PA	SM00031		W	31-51-12	GDX0005	D..	2	N2				
150	22	PA	D04301J	6		27-32-11	D00823	34		N2	2			
151	24	PK	D04509J	1		27-32-11	D00823	39		N2	2			
152	24	PK	D04347J	26		27-32-11	D00823	40		N2	2			
153	24	PK	D00823	31		27-32-11	D04509J	6		N2	2			
154	20	PA	D04509J	7		27-32-11	GDX0001	D..	2	N2	2			
155	24	PK	SM00037		W	27-32-11	D04511J	3		N2	1			
156	24	PK	D00823	38		27-32-11	D04511J	2		N2	2			
157	24	PK	D04511J	4		27-32-11	SM00050		W	N2	1			
158	24	PK	SM00037		W	27-32-11	D00823	4		N2	1			
159	24	PK	D04349J	14		27-32-11	D00823	36		N2	1			
160	24	PK	D04349J	15		27-32-11	D00823	3		N2	1			
161	24	PK	D04349J	16		27-32-11	D00823	43		N2	1			
162	24	PK	D04349J	10		27-32-11	D00823	2		N2	1			
165	22	PA	D04349J	11		27-32-21	D01381	34		N2	2			
166	24	PK	D01381	40		27-32-21	D04349J	6		N2	2			
167	24	PK	D01381	31		27-32-21	D04511J	7		N2	2			
168	20	PA	GDX0002	D..	2	27-32-21	D04511J	8		N2	2			
169	24	PK	D04349J	34		27-32-21	D01381	36		N2	2			
170	24	PK	D04349J	35		27-32-21	D01381	3		N2	2			
171	24	PK	D04349J	36		27-32-21	D01381	43		N2	2			

286T0045-324
Wire Bundle Assembly
Figure 122 (Sheet 7)

25-71-02

WIRE		FROM EQUIPMENT			TO EQUIPMENT			WIRE INFO					
NUMBER	GA	TYP	NUMBER	TERM	TT	WDM REF	NUMBER	TERM	TT	EMC/SEP	FT	NOTES	EFFECTIVITY
172	24	PK	D04349J	37		27-32-21	D01381	2		N2	2		
173	24	PK	D04511J	13		27-32-21	D01381	4		N2	2		
174	24	PK	D04511J	16		27-32-21	D01381	37		N2	2		
175	24	PK	D04511J	15		27-32-21	D01381	38		N2	2		
176	24	PK	D04509J	8		27-32-21	D01381	39		N2	2		
177	24	PK	D00815	34		31-51-21	SM00057		W	N2	1		
178	24	PK	D00815	43		31-51-21	D01433	19		N2	2		
179	24	PK	D00815	10		31-51-21	D00819	5		N2	2		
180	24	PK	D04507J	5		31-51-21	SM00034		W	N2	1		
181	24	PK	SM00058		W	31-51-21	D00815	66		N2	1		
182	24	PK	D00815	4		31-51-21	SM00034		W	N2	1		
183	24	PK	D00815	11		31-51-21	D04349J	39		N2	2		
184	22	PA	D00815	37		31-51-21	SM00035		W	N2	1		
185	22	PA	D00815	42		31-51-21	SM00036		W	N2	1		
186	24	PK	D04349J	5		31-51-21	SM00012		W	N2	1		
187	24	PK	D00815	2		31-51-21	SM00012		W	N2	1		
188	24	PK	SM00011		W	31-51-21	D04349J	4		N2	1		
189	24	PK	SM00011		W	31-51-21	D00815	35		N2	1		
190	24	PK	D04349J	12		31-51-21	SM00009		W	N2	1		
191	24	PK	D00815	44		31-51-21	SM00009		W	N2	1		
192	24	PK	D04347J	10		31-51-21	SM00008		W	N2	1		
193	24	PK	D00815	1		31-51-21	SM00008		W	N2	1		
194	24	PK	D04347J	11		31-51-21	SM00010		W	N2	1		
195	24	PK	D00815	36		31-51-21	SM00010		W	N2	1		
196	24	PK	SM00039		W	31-51-21	D04347J	21		N2	1		
197	24	PK	D00815	45		31-51-21	SM00039		W	N2	1		
198	24	PK	D00815	46		31-51-21	D04347J	6		N2	2		
199	20	PA	GDX0004	S..	2	31-51-31	D04597J	14		N2	2		
201B	24	PW	D01489	43		31-51-33	SM00004		W	N2	1		
201R	24	PW	D01489	9		31-51-33	SM00003		W	N2			
201Z			D01489	DED		31-51-33	SM00003	REF		N2			
204	20	PA	D04507J	REF		27-32-11	GDX0004	S..	2	N2	2		
204B	24	PW	D00823	18		27-32-11	D04507J	12		N2	1		

286T0045-324
Wire Bundle Assembly
Figure 122 (Sheet 8)

25-71-02



BOEING
COMPONENT
MAINTENANCE MANUAL

WIRE		FROM EQUIPMENT			TO EQUIPMENT			WIRE INFO					
NUMBER	GA	TYP	NUMBER	TERM	TT	WDM REF	NUMBER	TERM	TT	EMC/SEP	FT	NOTES	EFFECTIVITY
204R	24	PW	D00823	16		27-32-11	D04507J	11		N2			
204Z			D00823	DED		27-32-11	D04507J	REF		N2			
205B	24	PW	D00815	19		31-51-21	SM00007		W	N2	1		
205R	24	PW	D00815	52		31-51-21	SM00006		W	N2			
205Z			D00815	DED		31-51-21	SM00006	REF		N2			
207	20	PA	D04597J	REF		31-51-21	GDX0004	S..	2	N2	2		
207B	24	PW	SM00007		W	31-51-21	D04597J	4		N2	1		
207R	24	PW	SM00006		W	31-51-21	D04597J	3		N2			
207Z			SM00006	REF		31-51-21	D04597J	REF		N2			
208	20	PA	D04301J	REF		34-16-11	GDX0002	S..	2	N2	2		
208B	24	PW	D00821	36		34-16-11	D04301J	9		N2	2		
208R	24	PW	D00821	2		34-16-11	D04301J	8		N2			
208Z			D00821	DED		34-16-11	D04301J	REF		N2			
209B	24	PW	D01489	46		31-51-33	SM00007		W	N2	1		
209R	24	PW	D01489	12		31-51-33	SM00006		W	N2			
209Z			D01489	DED		31-51-33	SM00006	REF		N2			
212B	24	PW	D01433	36		31-51-42	SM00007		W	N2	1		
212R	24	PW	D01433	2		31-51-42	SM00006		W	N2			
212Z			D01433	DED		31-51-42	SM00006	REF		N2			
213	20	PA	D04507J	REF		34-16-11	GDX0004	S..	2	N2	2		
213B	24	PW	D00821	35		34-16-11	D04507J	8		N2	2		
213R	24	PW	D00821	1		34-16-11	D04507J	9		N2			
213Z			D00821	DED		34-16-11	D04507J	REF		N2			
214	20	PA	D04349J	REF		34-16-11	GDX0004	S..	2	N2	2		
214B	24	PW	D00821	37		34-16-11	D04349J	19		N2	2		
214R	24	PW	D00821	3		34-16-11	D04349J	18		N2			
214Z			D00821	DED		34-16-11	D04349J	REF		N2			
215B	24	PL	D01487	24		31-51-31	D04597J	12		N2	2		
215R	24	PL	D01487	23		31-51-31	D04597J	13		N2			
216B	24	PL	D00817	24		31-51-32	D04303J	12		N2	2		
216R	24	PL	D00817	23		31-51-32	D04303J	11		N2			
221B	24	PW	D01489	45		31-51-33	SM00004		W	N2	1		
221R	24	PW	D01489	11		31-51-33	SM00003		W	N2			

286T0045-324
Wire Bundle Assembly
Figure 122 (Sheet 9)

25-71-02

WIRE		FROM EQUIPMENT			TO EQUIPMENT			WIRE INFO					
NUMBER	GA	TYP	NUMBER	TERM	TT	WDM REF	NUMBER	TERM	TT	EMC/SEP	FT	NOTES	EFFECTIVITY
231Z			D01489	DED		31-51-33	SM00003	REF		N2			
233B	24	PW	D00821	38		34-16-11	SM00004		W	N2	1		
223R	24	PW	D00821	4		34-16-11	SM00003		W	N2			
223Z			D00821	DED		34-16-11	SM00003	REF		N2			
224	20	PA	D04349J	REF		27-32-21	GDX0004	S..	2	N2	2		
224B	24	PW	D04349J	28		27-32-21	D01381	18	W	N2	2		
224R	24	PW	D04349J	27		27-32-21	D01381	16	W	N2			
224Z			D04349J	REF		27-32-21	D01381	DED		N2			
225B	22	PR	D00811	69		31-51-11	SM00060		W	N2	2		
225R	22	PR	D00811	68		31-51-11	SM00060		W	N2			
225Z			D00811	DED		31-51-11	SM00028	REF		N2			
226B	22	PR	D00813	69		31-51-12	SM00061		W	N2	2		
226R	22	PR	D00813	68		31-51-12	SM00061		W	N2			
226Z			D00813	DED		31-51-12	SM00030	REF		N2			
230	20	PA	D04347J	REF		31-51-33	GDX0003	S..	2	N2	2		
230B	24	PW	D04347J	18		31-51-33	SM00004		W	N2	1		
230R	24	PW	D04347J	17		31-51-33	SM00003		W	N2			
230Z			D04347J	REF		31-51-33	SM00003	REF		N2			
236	20	PA	D04347J	REF		27-32-11	GDX0001	S..	2	N2	2		
236B	24	PW	D04347J	37		27-32-11	D00823	54	W	N2	2		
236R	24	PW	D04347J	36		27-32-11	D00823	23	W	N2			
236Z			D04347J	REF		27-32-11	D00823	DED		N2			
237B	24	PW	D04347J	40		27-32-11	D00823	13	W	N2	2		
237R	24	PW	D04347J	39		27-32-11	D00823	12	W	N2			
237Z			D04347J	REF		27-32-11	D00823	DED		N2			
238	20	PA	D04349J	REF		27-32-21	GDX0001	S..	2	N2	2		
238B	24	PW	D04349J	49		27-32-21	D01381	54	W	N2	2		
238R	24	PW	D04349J	48		27-32-21	D01381	23	W	N2			
238Z			D04349J	REF		27-32-21	D01381	DED		N2			
239B	24	PW	D01381	20		27-32-21	D04349J	55	W	N2	2		
239R	24	PW	D01381	19		27-32-21	D04349J	54	W	N2			
239Z			D01381	DED		27-32-21	D04349J	REF		N2			
240B	24	PL	D04347J	23		31-51-31	SM00080		W	N2	1		

286T0045-324
Wire Bundle Assembly
Figure 122 (Sheet 10)

25-71-02



BOEING
COMPONENT
MAINTENANCE MANUAL

WIRE			FROM EQUIPMENT			TO EQUIPMENT			WIRE INFO				
NUMBER	G.A.	TYP	NUMBER	TERM	TT	WDM REF	NUMBER	TERM	TT	EMC/SEP	FT	NOTES	EFFECTIVITY
240R	24	PL	D04347J	22		31-51-31	SM00042			N2			
241B	24	PL	D01487	60		31-51-31	SM00080			N2	1		
241R	24	PL	D01487	28		31-51-31	SM00042			N2			
242B	24	PL	D00817	60		31-51-32	SM00080			N2	1		
242R	24	PL	D00817	28		31-51-32	SM00042			N2			
243B	24	PW	D04349J	52		27-32-21	D01381	13		N2	2		
243R	24	PW	D04349J	51		27-32-21	D01381	12		N2			
243Z	24		D04349J	REF		27-32-21	D01381	DED		N2			
245B	24	PW	D00823	20		27-32-11	D04347J	48		N2	2		
245R	24	PW	D00823	19		27-32-11	D04347J	47		N2			
245Z	24		D00823	DED		27-32-11	D04347J	REF		N2			
247	20	PA	D04349J	REF		31-41-35	GDX0006	S..	2	N2	2		
247B	24	PW	D02261	42		31-41-35	D04349J	57		N2	2		
247R	24	PW	D02261	43		31-41-35	D04349J	56		N2			
247Z	24		D02261	DED		31-41-35	D04349J	REF		N2			
248	20	PA	D04349J	REF		28-41-11	GDX0006	S..	2	N2	2		
248B	24	PW	D02261	5		28-41-11	D04349J	60		N2	2		
248R	24	PW	D02261	8		28-41-11	D04349J	59		N2			
248Z	24		D02261	DED		28-41-11	D04349J	REF		N2			
271B	24	PL	D04597J	5		31-51-31	SM00088			N2	1		
271R	24	PL	D04597J	2		31-51-31	SM00087			N2			
272B	24	PL	D01487	63		31-51-31	SM00088			N2	1		
272R	24	PL	D01487	62		31-51-31	SM00087			N2			
273B	24	PL	D00817	63		31-51-32	SM00088			N2	1		
273R	24	PL	D00817	62		31-51-32	SM00087			N2			
278			DELETED										
279			DELETED										
280			DELETED										
281			DELETED										
282			DELETED										
290B	24	PW	D04597J	8		34-43-15	SM00104			N2	1		
290R	24	PW	D04597J	7		34-43-15	SM00103			N2			
290Z	24		D04597J	9		34-43-15	SM00103	REF		N2			

286T0045-324
Wire Bundle Assembly
Figure 122 (Sheet 11)

25-71-02

WIRE			FROM EQUIPMENT			TO EQUIPMENT			WIRE INFO				
NUMBER	GA.	TYP	NUMBER	TERM	TT	WDM REF	NUMBER	TERM	TT	EMC/SEP	FT	NOTES	EFFECTIVITY
291B	24	PW	D04303J	4		34-43-15	SM00104		W	N2	1		
291R	24	PW	D04303J	3		34-43-15	SM00103		W	N2			
291Z			D04303J	5		34-43-15	SM00103	REF		N2			
292B	24	PW	D04347J	53		34-43-15	SM00104		W	N2	1		
292R	24	PW	D04347J	51		34-43-15	SM00103		W	N2			
292Z			D04347J	61		34-43-15	SM00103	REF		N2			
301	20	PA	SM00028	REF		31-51-11	GDX0005	S..	2	N2	1		
301B	22	PS	D00811	57		31-51-11	SM00028		W	N2	2		
301R	22	PS	D00811	38		31-51-11	SM00028		W	N2			
301Y	22	PS	D00811	58		31-51-11	SM00028		W	N2			
301Z			D00811	DED		31-51-11	SM00028	REF		N2			
302B	22	PS	D00811	42		31-51-11	SM00029		W	N2	2		
302R	22	PS	D00811	41		31-51-11	SM00029		W	N2			
302Y	22	PS	D00811	43		31-51-11	SM00029		W	N2			
302Z			D00811	DED		31-51-11	SM00028	REF		N2			
303B	22	PS	D00811	8		31-51-11	SM00026		W	N2	2		
303R	22	PS	D00811	7		31-51-11	SM00026		W	N2			
303Y	22	PS	D00811	9		31-51-11	SM00026		W	N2			
303Z			D00811	DED		31-51-11	SM00026	REF		N2			
304B	22	PS	D00811	25		31-51-11	SM00028		W	N2	2		
304R	22	PS	D00811	24		31-51-11	SM00027		W	N2			
304Y	22	PS	D00811	37		31-51-11	SM00027		W	N2			
304Z			D00811	DED		31-51-11	SM00028	REF		N2			
305	20	PA	SM00030	REF		31-51-12	GDX0005	S..	2	N2	1		
305B	22	PS	D00813	8		31-51-12	SM00030		W	N2	2		
305R	22	PS	D00813	7		31-51-12	SM00030		W	N2			
305Y	22	PS	D00813	9		31-51-12	SM00030		W	N2			
305Z			D00813	DED		31-51-12	SM00030	REF		N2			
306B	22	PS	D00813	25		31-51-12	SM00031		W	N2	2		
306R	22	PS	D00813	24		31-51-12	SM00031		W	N2			
306Y	22	PS	D00813	37		31-51-12	SM00031		W	N2			
306Z			D00813	DED		31-51-12	SM00030	REF		N2			
307B	22	PS	D00813	57		31-51-12	SM00032		W	N2	2		

286T0045-324
Wire Bundle Assembly
Figure 122 (Sheet 12)

25-71-02



BOEING
COMPONENT
MAINTENANCE MANUAL

WIRE		FROM EQUIPMENT			TO EQUIPMENT			WIRE INFO						
NUMBER	GA	TYP	NUMBER	TERM	TT	WDM	REF	NUMBER	TERM	TT	EMC/SEP	FT	NOTES	EFFECTIVITY
307R	22	PS	D00813	38		31-51-12	SM00032	SM00032		W	N2			
307Y	22	PS	D00813	58		31-51-12	SM00032	SM00032		W	N2			
307Z			D00813	DED		31-51-12	SM00030	SM00030	REF		N2	2		
308B	22	PS	D00813	42		31-51-12	SM00033	SM00033		W	N2			
308R	22	PS	D00813	41		31-51-12	SM00033	SM00033		W	N2			
308Y	22	PS	D00813	43		31-51-12	SM00033	SM00033		W	N2			
308Z			D00813	DED		31-51-12	SM00030	SM00030	REF		N2			
512	24	PK	D02261	20	W	27-81-31	D04349J	D04349J	8	2	N2	2		
601	20	PA	SM00060		W	31-51-11	GDX0004	GDX0004	D..	2	N2			
602	20	PA	SM00061			31-51-12	GDX0005	GDX0005	D..	2	N2			
603	24	PV	D04301J	5		31-51-12	M01103	M01103	INE	D	N2	1		
603Z			D04301J	DED		31-51-12	M01103	M01103			N2			
604	24	PV	D04301J	4		31-51-12	D00813	D00813	4		N2	3		
604Z			D04301J	DED		31-51-12	D00813	D00813	REF		N2			
605	24	PV	D00813	1		31-51-12	M01103	M01103	OAD	D	N2	3		
605Z			D00813	REF		31-51-12	M01103	M01103	DED		N2			
606	24	PV	D04349J	32		31-51-11	M01102	M01102	INE	D	N2	1		
606Z			D04349J	DED		31-51-11	M01102	M01102			N2			
607	24	PV	D04349J	33		31-51-11	D00811	D00811	4		N2	3		
607Z			D04349J	DED		31-51-11	D00811	D00811	REF		N2			
608	24	PV	D00811	1		31-51-11	M01102	M01102	OAD	D	N2	3		
608Z			D00811	REF		31-51-11	M01102	M01102	DED		N2			
610	24	PK	D00823	37		27-32-11	SM00050	SM00050		W	N2	1		
611	24	PK	D01433	6		31-51-42	D04347J	D04347J	20		N2	2		
612	24	PK	D01433	4		31-51-42	SM00050	SM00050		W	N2	1		
613	24	PK	D04349J	30		31-51-31	SM00065	SM00065		W	N2	1		
614	24	PK	D01487	52		31-51-31	SM00065	SM00065		W	N2	1		
615	24	PK	D00817	52		31-51-32	SM00065	SM00065		W	N2	1		
617	24	PK	D01381	11		27-32-12	D00823	D00823	56		N2	1		
618	24	PK	D01381	56		27-32-12	D00823	D00823	11		N2	1		
619	24	PK	D00823	45		27-32-12	SM00082	SM00082		W	N2	1		
620	24	PK	D04349J	29		31-51-21	SM00071	SM00071		W	N2	1		
621	24	PK	D00815	7		31-51-21	SM00071	SM00071		W	N2	1		

286T0045-324
Wire Bundle Assembly
Figure 122 (Sheet 13)

25-71-02

WIRE		FROM EQUIPMENT			TO EQUIPMENT			WIRE INFO					
NUMBER	GA	TYP	NUMBER	TERM	TT	WDM REF	NUMBER	TERM	TT	EMC/SEP	FT	NOTES	EFFECTIVITY
622	24	PK	D01489	2		31-51-33	SM00071		W	N2	1		
623	24	PK	D01489	36		31-51-33	SM00038		W	N2	1		
624	24	PK	D00815	8		31-51-21	SM00045		W	N2	1		
625	24	PK	D01487	9		31-51-31	SM00034		W	N2	1		
631	24	PK	D00817	9		31-51-32	SM00034		W	N2	1		
644	22	PQ	D00823	66		27-32-31	D04347J	42		N2	2		
644Z			D00823	DED		27-32-31	D04347J	DED		N2			
646	22	PQ	D01381	66		27-32-31	D04349J	42		N2	2		
646Z			D01381	DED		27-32-31	D04349J	DED		N2			
648	24	PK	D00821	40		34-16-11	D04347J	32		N2	2		
649	24	PK	SM00038		W	34-16-11	D04347J	33		N2	1		
681	24	PK	D01433	10		31-51-43	D04507J	10		N2	2		
682	24	PK	D01433	13		31-51-43	D04347J	46		N2	2		
683	22	PA	D01433	41		31-51-43	SM00081		W	N2	1		
684	20	PA	GDX0001	D..	2	31-51-43	D04349J	47		N2	2		
685	24	PK	D00823	58		27-32-12	D01505	A1		N2	2		
686	24	PK	D00823	8		27-32-11	SM00038		W	N2	1		
687	24	PK	D00823	64		27-32-11	SM00081		W	N2	1		
688	24	PK	D01381	58		27-32-22	D01503	A1		N2	2		
689	24	PK	D01381	45		27-32-22	SM00085		W	N2	1		
692	24	PK	D01381	8		27-32-21	SM00038		W	N2	1		
693	24	PK	D04347J	30		31-51-21	D00815	6		N2	2		
694	22	PA	D04349J	46		31-51-43	SM00081		W	N2	1	PAJ-F2	
696	20	PA	GDX0003	D..	2	27-32-12	SM00082		W	N2	1		
697	20	PA	GDX0003	D..	2	27-32-22	SM00085		W	N2	1		
701	24	PK	D00815	49		31-51-21	D00815	22		N2			
702	24	PK	D00815	16		31-51-21	D00815	48		N2			
703	24	PK	D00819	6		31-51-41	SM00019		W	N2	1		
704	24	PK	SM00075		W	31-51-41	D04511J	14		N2	1		
705	24	PK	D00819	45		31-51-41	D04511J	12		N2	2		
706	24	PK	D00819	10		31-51-41	D04349J	31		N2	2		
707	24	PK	D00819	21		31-51-41	D04509J	4		N2	2		
708	24	PK	D00819	9		31-51-41	D04349J	7		N2	2		

286T0045-324
Wire Bundle Assembly
Figure 122 (Sheet 14)

25-71-02



BOEING
COMPONENT
MAINTENANCE MANUAL

WIRE			FROM EQUIPMENT				TO EQUIPMENT				WIRE INFO			
NUMBER	GA	TYP	NUMBER	TERM	TT	WDM REF	NUMBER	TERM	TT	EMC/SEP	FT	NOTES	EFFECTIVITY	
709	24	PK	D00819	39		31-51-41	SM00044		W	N2	1			
710	24	PK	D00819	43		31-51-41	SM00037		W	N2	1			
711	24	PK	D00819	12		31-51-41	D04349J	21		N2	2			
712	24	PK	D00819	53		31-51-41	D04349J	3		N2	2			
713	24	PK	D00819	20		31-51-41	D04347J	9		N2	2			
714	24	PK	D00819	44		31-51-41	D04349J	24		N2	2			
715	24	PK	D04507J	6		31-51-42	SM00019		W	N2	1			
716	24	PK	D01433	34		31-51-42	SM00019		W	N2	1			
717	24	PK	D01433	37		31-51-42	SM00034		W	N2	1			
718	24	PK	D01433	39		31-51-42	D04509J	2		N2	2			
720	24	PK	D01433	52		31-51-42	SM00040		W	N2	1			
721	24	PK	D01433	38		31-51-42	D04347J	24		N2	2			
722	24	PK	D01433	5		31-51-42	D04349J	22		N2	2			
723	24	PK	D04511J	11		31-51-42	SM00038		W	N2	1			
724	24	PK	D01433	40		31-51-42	SM00038		W	N2	1			
725	24	PK	D01433	3		31-51-42	D04347J	13		N2	2			
726	22	PA	D04347J	14		31-51-21	SM00036		W	N2	1			
727	22	PA	D04301J	11		31-51-21	SM00035		W	N2	1			
728	24	PK	D04347J	1		31-51-41	D00819	35		N2	2			
729	24	PK	D04347J	2		31-51-41	D00819	1		N2	2			
730	24	PK	D04347J	3		31-51-41	D00819	36		N2	2			
731	24	PK	D04347J	4		31-51-41	D00819	2		N2	2			
732	24	PK	D04347J	5		31-51-42	D01433	20		N2	2			
733	24	PK	D04347J	16		34-16-11	D00821	65		N2	2			
734	24	PK	D04347J	8		31-51-31	SM00046		W	N2	1			
735	24	PK	D04507J	7		34-16-11	D00821	34		N2	2			
736	24	PK	D04507J	2		34-16-11	D00821	66		N2	2			
737	24	PK	SM00041		W	34-16-11	D00821	31		N2	1			
738	24	PK	D04347J	19		34-16-11	D00821	7		N2	2			
739	24	PK	SM00075		W	34-16-11	D00821	6		N2	1			
741	24	PK	D00821	18		34-16-11	D00821	22		N2				
742	24	PK	D00821	50		34-16-11	D00821	48		N2				
746	24	PK	D04597J	10		31-51-31	SM00043		W	N2	1			

286T0045-324
Wire Bundle Assembly
Figure 122 (Sheet 15)

25-71-02

WIRE			FROM EQUIPMENT			TO EQUIPMENT			WIRE INFO				
NUMBER	GA	TYP	NUMBER	TERM	TT	WDM REF	NUMBER	TERM	TT	EMC/SEP	FT	NOTES	EFFECTIVITY
747	24	PK	D01487	46		31-51-31	SM00043		W	N2	1		
748	24	PK	D04347J	7		31-51-31	SM00045		W	N2	1		
749	24	PK	D01487	10		31-51-31	SM00045		W	N2	1		
750	24	PK	D01487	19		31-51-31	SM00046		W	N2	1		
751	24	PK	D01487	13		31-51-31	SM00040		W	N2	1		
752	24	PK	D01487	47		31-51-31	SM00044		W	N2	1		
753	24	PK	D01487	51		31-51-31	SM00041		W	N2	1		
755	24	PV	D01487	1		31-51-31	SM00035		W	N2	1		
755Z			D01487	DED		31-51-31	SM00035	DED		N2			
756	24	PK	D01487	50		31-51-31	SM00036		W	N2	1		
757	24	PK	D01487	11		31-51-31	SM00039		W	N2	1		
758	24	PK	D01487	22		31-51-31	D01489	23		N2	2		
759	24	PK	D01487	55		31-51-31	D01489	47		N2	2		
760	24	PK	D01487	34		31-51-31	D01489	51		N2	2		
761	24	PK	D01487	66		31-51-31	D01489	57		N2	2		
762	24	PK	D00817	10		31-51-32	SM00045		W	N2	1		
763	24	PK	D00817	46		31-51-32	SM00043		W	N2	1		
764	24	PV	D00817	1		31-51-32	SM00035		W	N2	1		
764Z			D00817	DED		31-51-32	SM00035	DED		N2			
765	24	PK	D00817	50		31-51-32	SM00036		W	N2	1		
766	24	PV	D00817	11		31-51-32	SM00053		W	N2	1		
766Z			D00817	DED		31-51-32	SM00053	DED		N2			
767	24	PK	D00817	19		31-51-32	SM00046		W	N2	1		
768	24	PK	D00817	13		31-51-32	SM00040		W	N2	1		
769	24	PK	D00817	47		31-51-32	SM00044		W	N2	1		
770	24	PK	D00817	51		31-51-32	SM00041		W	N2	1		
772	24	PK	D00817	22		31-51-32	D01489	54		N2	2		
773	24	PK	D00817	55		31-51-32	D01489	13		N2	2		
774	24	PK	D00817	34		31-51-32	D01489	25		N2	2		
775	24	PK	D00817	66		31-51-32	D01489	58		N2	2		
776	24	PK	D01489	42		31-51-33	D04347J	15		N2	2		
777	24	PK	D01489	8		31-51-33	D04349J	13		N2	2		
779	24	PK	D01489	35		31-51-33	D04349J	40		N2	2		

286T0045-324
Wire Bundle Assembly
Figure 122 (Sheet 16)

25-71-02



BOEING
COMPONENT
MAINTENANCE MANUAL

WIRE			FROM EQUIPMENT			TO EQUIPMENT			WIRE INFO				
NUMBER	GA	TYP	NUMBER	TERM	TT	WDM REF	NUMBER	TERM	TT	EMC/SEP	FT	NOTES	EFFECTIVITY
780	24	PK	D01489	53		31-51-33	D04349J	2		N2	2		
781	24	PK	D01489	31		31-51-33	D01489	48		N2			
782	24	PK	D01489	18		31-51-33	D01489	22		N2			
783	24	PK	D01489	38		31-51-33	SM00008		W	N2	1		
784	24	PK	D01489	4		31-51-33	SM00011		W	N2	1		
785	24	PK	D01489	37		31-51-33	SM00012		W	N2	1		
786	24	PK	D01489	3		31-51-33	SM00010		W	N2	1		
787	24	PK	D01489	1		31-51-33	SM00009		W	N2	1		
788	24	PK	D01489	6		31-51-33	SM00034		W	N2	1		
789	24	PK	D01489	41		31-51-33	D04509J	11		N2	2		
791	24	PK	D01489	7		31-51-33	D04509J	10		N2	2		
792	24	PK	D01489	40		31-51-33	D04509J	9		N2	2		
793	24	PK	D00819	11		31-51-41	SM00075		W	N2	1		
794	20	PA	D04303J	10		31-51-32	GDX0004	S..	2	N2	2		
795	24	PK	D01433	9		31-51-42	D01433	48		N2			
796	24	PK	D01433	22		31-51-42	D01433	50		N2			
797	24	PV	D00815	41		31-51-21	SM00053		W	N2	1		
797Z			D00815	DED		31-51-21	SM00053	DED		N2			
798	24	PV	D04349J	9		31-51-21	SM00053		W	N2	1		
798Z			D04349J	DED		31-51-21	SM00053	DED		N2			
817	24	PK	D00823	55		27-32-12	D11553	6		N2	2		
818	24	PK	D00823	21		27-32-12	D11553	4		N2	2		
819	24	PK	D00823	51		27-32-12	D11553	3		N2	2		
820	24	PK	D00823	50		27-32-12	D11553	2		N2	2		
821	24	PK	D00823	49		27-32-12	D11553	7		N2	2		
822	24	PK	D00823	47		27-32-12	D11553	8		N2	2		
823	24	PK	D00823	46		27-32-12	D11553	9		N2	2		
824	24	PK	D00823	53		27-32-12	D11553	5		N2	2		
825	24	PK	D00823	62		27-32-12	D11553	24		N2	2		
826	24	PK	D01381	55		27-32-22	D11553	16		N2	2		
827	24	PK	D01381	21		27-32-22	D11553	14		N2	2		
828	24	PK	D01381	51		27-32-22	D11553	13		N2	2		
829	24	PK	D01381	50		27-32-22	D11553	12		N2	2		

286T0045-324
Wire Bundle Assembly
Figure 122 (Sheet 17)

25-71-02

WIRE			FROM EQUIPMENT			TO EQUIPMENT			WIRE INFO				
NUMBER	GA	TYP	NUMBER	TERM	TT	WDM REF	NUMBER	TERM	TT	EMC/SEP	FT	NOTES	EFFECTIVITY
830	24	PK	D01381	49		27-32-22	D11553	17		N2	2		
831	24	PK	D01381	47		27-32-22	D11553	18		N2	2		
832	24	PK	D01381	46		27-32-22	D11553	19		N2	2		
833	24	PK	D01381	53		27-32-22	D11553	15		N2	2		
834	24	PK	D01381	62		27-32-22	D11553	34		N2	2		
835	24	PK	D04349J	50		27-32-21	D01381	64		N2	2		
836	20	PA	D04349J	53		27-32-21	GDX0002	S..	2	N2	2		
839	24	PK	D00823	9		27-32-12	SM00082		W	N2	1		
840	24	PK	D01381	9		27-32-22	SM00085		W	N2	1		
842	24	PK	D01381	6		27-32-22	SM00085		W	N2	1		
843	24	PK	D00823	6		27-32-12	SM00082		W	N2	1		
862	22	PA	D02261	30		31-41-35	GDX0006	S..	2	N2	1		
863	22	PA	D02261	32		31-41-35	GDX0006	S..	2	N2	1		
864	22	PA	D02261	33		31-41-35	GDX0006	S..	2	N2	1		
865	22	PA	D02261	64		31-41-35	GDX0006	S..	2	N2	1		
866	24	PV	D02261	27		31-51-11	SM00018		W	N2	1		
866Z			D02261	DED		31-51-11	SM00018	REF		N2			
867	24	PV	D02261	28		31-51-11	SM00047		W	N2	1		
867Z			D02261	DED		31-51-11	SM00047	REF		N2			
868	24	PV	D02261	29		31-51-12	SM00054		W	N2	1		
868Z			D02261	DED		31-51-12	SM00054	REF		N2			
869	24	PK	D02261	34		31-51-12	SM00025		W	N2	1		
870	22	PA	D02261	56		31-51-12	GDX0001	S..	2	N2	2		
871	22	PA	D02261	57		31-51-12	GDX0003	S..	2	N2	2		
872	22	PA	D02261	59		31-51-11	GDX0005	S..	2	N2	1		
873	24	PV	D02261	60		31-51-12	SM00055		W	N2	1		
873Z			D02261	DED		31-51-12	SM00055	REF		N2			
874	24	PV	D02261	62		31-51-11	SM00049		W	N2	1		
874Z			D02261	DED		31-51-11	SM00049	REF		N2			
875	24	PV	D02261	63		31-51-12	SM00056		W	N2	1		
875Z			D02261	DED		31-51-12	SM00056	REF		N2			
876	24	PK	D02261	65		31-51-11	SM00022		W	N2	1		
877	24	PV	D00811	14		31-51-11	SM00018		W	N2	2		

286T0045-324
Wire Bundle Assembly
Figure 122 (Sheet 18)

25-71-02

BOEING
 COMPONENT
 MAINTENANCE MANUAL

WIRE			FROM EQUIPMENT			TO EQUIPMENT			WIRE INFO					
NUMBER	GA	TYP	NUMBER	TERM	TT	WDM	REF	NUMBER	TERM	TT	EMC/ SEP	FT	NOTES	EFFECTIVITY
877Z			D00811	DED		31-51-11		SM00018	REF		N2	2		
878	24	PV	D00811	48		31-51-11		SM00047		W	N2			
878Z			D00811	DED		31-51-11		SM00047	REF		N2			
879	24	PV	D00811	23		31-51-11		SM00049		W	N2	2		
879Z			D00811	DED		31-51-11		SM00049	REF		N2			
880	24	PV	D00813	14		31-51-12		SM00054		W	N2	2		
880Z			D00813	DED		31-51-12		SM00054	REF		N2			
881	24	PV	D00813	48		31-51-12		SM00055		W	N2	2		
881Z			D00813	DED		31-51-12		SM00055	REF		N2			
882	24	PV	D00813	23		31-51-12		SM00056		W	N2	2		
882Z			D00813	DED		31-51-12		SM00056	REF		N2			
883	22	PA	D02261	15		38-32-11		D04349J	26		N2	2		
884	22	PA	D02261	47		38-32-11		D04347J	27		N2	2		
885	24	PK	D04303J	9		31-51-21		SM00057		W	N2	1		
886	24	PK	D04507J	3		31-51-21		SM00058		W	N2	1		
887	24	PK	D04507J	1		31-51-21		SM00058		W	N2	1		
888	24	PK	SM00057		W	31-51-21		D04349J	44		N2	1		

286T0045-324
 Wire Bundle Assembly
 Figure 122 (Sheet 19)

25-71-02

WIRE			FROM EQUIPMENT			TO EQUIPMENT			WIRE INFO				
NUMBER	GA	TYP	NUMBER	TERM	TT	WDM REF	NUMBER	TERM	TT	EMC/SEP	FT	NOTES	EFFECTIVITY
FRA			M01103			31-51-12	M01103	GND	D	N2			
FRB			D00813			31-51-12	D00813	59		N2			
FRC			M01102			31-51-11	M01102	GND	D	N2			
FRD			D00811			31-51-11	D00811	59		N2			
FRG			D04349J	58		31-41-35	D04349J			N2			
FRH			D04349J	61		28-41-11	D04349J			N2			
PA1			D00815	47		99-99-99	D00815	63		N2		DAW-B2	
PA2			D00817	8		99-99-99	D00817	57		N2		DAW-B2	
PA3			D00819	41		99-99-99	D00819	55		N2		DAW-B2	
PA4			D00821	43		99-99-99	D00821	60		N2		DAW-B2	
PA5			D00823	52		99-99-99	D00823	65		N2		DAW-B2	
PA6			D01433	44		99-99-99	D01433	61		N2		DAW-B2	
PA7			D01381	52		99-99-99	D01381	65		N2		DAW-B2	
PA8			D01487	8		99-99-99	D01487	57		N2		DAW-B2	
PA9			D01489	56		99-99-99	D01489	65		N2		DAW-B2	
PB1			D01739	7		99-99-99	D01739	62		N2		DAW-B2	
PB2			D01741	7		99-99-99	D01741	62		N2		DAW-B2	
PB4			D02261	54		99-99-99	D02261	61		N2		DAW-B2	
P01		SE	D11553							N2			
1	22	PA	D00811	60		31-51-11	GDX0001	S..	2	N2	3	UAE-F2	
2	22	PA	D00821	14		31-51-11	GDX0002	D..	2	N2	2		
3	24	PV	SM00068		W	31-51-11	D00821	27		N2	1		
003Z			SM00068	REF		31-51-11	D00821			N2			
4	24	PV	SM00069		W	31-51-11	D00821	32		N2	1		
004Z			SM00069	REF		31-51-11	D00821			N2			
5	24	PV	D00811	35		31-51-11	D00821	17		N2	3		
005Z			D00811	DED		31-51-11	D00821			N2			
6	24	PK	SM00022		W	31-51-11	D00821	51		N2	1		
7	24	PK	D00811	65		31-51-11	SM00022		W	N2	2		
8	24	PK	D00819	37		31-51-11	SM00022		W	N2	1		
9	24	PV	D00819	27		31-51-11	D00811	13		N2	3		
009Z			D00811	DED		31-51-11	D00819			N2			
01A	24	PK	D04349J	43		31-51-33	D01489	49		N2	2		

286T0045-325

Wire Bundle Assembly
Figure 123 (Sheet 1)

25-71-02

TESTING & TROUBLE SHOOTING
01 Page 164D
Nov 01/02



BOEING
COMPONENT
MAINTENANCE MANUAL

WIRE			FROM EQUIPMENT			TO EQUIPMENT			WIRE INFO				
NUMBER	GA	TYP	NUMBER	TERM	TT	WDM REF	NUMBER	TERM	TT	EMC/SEP	FT	NOTES	EFFECTIVITY
10	22	PA	D00819	14		31-51-11	GDX0001	D..	2	N2	2		
11	24	PK	D01433	51		31-51-11	SM00022		W	N2	1		
12	24	PV	SM00018		W	31-51-11	D01433	27		N2	1		
012Z			SM00018	REF		31-51-11	D01433			N2			
13	24	PV	SM00047		W	31-51-11	D01433	32		N2	1		
013Z			SM00047	REF		31-51-11	D01433			N2			
14	24	PV	SM00049		W	31-51-11	D01433	17		N2	1		
014Z			SM00049	REF		31-51-11	D01433			N2			
15	22	PA	D01433	14		31-51-11	GDX0001	D..	2	N2	2		
16	20	PA	SM00028		W	31-51-11	GDX0005	D..	2	N2	2		
17	20	UA	GDX0002	S..	2	31-51-11	D00821			N2	2		
18	20	UA	GDX0005	S..	2	31-51-11	D00819			N2	2		
19	20	UA	D01433			31-51-11	GDX0002	S..	2	N2	2		
20	20	PA	GDX0005	D..	2	31-51-11	SM00029		W	N2	2		
21	20	UA	GDX0002	S..	2	31-51-11	D01503			N2	2		
23	20	UA	D00815			31-51-11	GDX0002	S..	2	N2	2		
24	24	PK	D04349J	38		31-51-11	SM00005		W	N2	1		
25	24	PK	D01503	A2		31-51-11	SM00005		W	N2	1		
26	20	PA	D01503	A3		31-51-11	GDX0003	D..	2	N2	2		
27	22	PQ	D01503	X2		31-51-11	D00811	75		N2	4		
027Z			D00811	DED		31-51-11	D01503			N2			
28	24	PV	D01503	X1		31-51-11	SM00015		W	N2	1		
028Z			SM00015	REF		31-51-11	D01503			N2			
29	24	PV	D00811	46		31-51-11	SM00015		W	N2	2		
029Z			SM00015	REF		31-51-11	D00811	DED		N2			
30	24	PK	SM00015		W	31-51-11	D11553	35		N2	1		
32	20	PA	D11553	11		31-51-11	GDX0003	D..	2	N2	2		
33	24	PK	D11553	37		31-51-11	D00811	34		N2	4		
34	24	PK	D11553	36		31-51-11	D00811	33		N2	4		
35	22	PA	D00815	14		31-51-11	GDX0001	D..	2	N2	2		
36	24	PV	D00815	27		31-51-11	D00811	12		N2	3		
036Z			D00811	DED		31-51-11	D00815			N2			
37	24	PV	D00815	32		31-51-11	D00811	17		N2	3		

286T0045-325
Wire Bundle Assembly
Figure 123 (Sheet 2)

25-71-02

TESTING & TROUBLE SHOOTING

01

Page 164E

Nov 01/02

WIRE			FROM EQUIPMENT			TO EQUIPMENT			WIRE INFO				
NUMBER	GA	TYP	NUMBER	TERM	TT	WDM REF	NUMBER	TERM	TT	EMC/ SEP	FT	NOTES	EFFECTIVITY
037Z			D00811	DED		31-51-11	D00815			N2	3		
38	24	PV	D00815	17		31-51-11	D00811	22		N2			
038Z			D00811	DED		31-51-11	D00815			N2			
39	24	PK	D00815	54		31-51-11	SM00020		W	N2	1		
40	24	PK	D00811	63		31-51-11	SM00020		W	N2	2		
41	24	PK	D00823	35		31-51-11	SM00020		W	N2	1		
42	24	PK	D01381	35		31-51-11	SM00020		W	N2	1		
45	22	PA	D01381	14		31-51-11	GDX0001	D..	2	N2	2		
46	22	PA	D01381	48		31-51-11	GDX0003	D..	2	N2	2		
47	24	PV	D01381	27		31-51-11	D00811	11		N2	3		
047Z			D00811	DED		31-51-11	D01381			N2			
48	24	PV	D01381	32		31-51-11	D00811	16		N2	3		
048Z			D00811	DED		31-51-11	D01381			N2			
49	24	PV	D01381	17		31-51-11	D00811	21		N2	3		
049Z			D00811	DED		31-51-11	D01381			N2			
52	22	PA	D00823	14		31-51-11	GDX0001	D..	2	N2	2		
53	22	PA	D00823	48		31-51-11	GDX0003	D..	2	N2	2		
54	24	PV	D00823	27		31-51-11	D00811	10		N2	3		
054Z			D00811	DED		31-51-11	D00823			N2			
55	24	PV	D00823	32		31-51-11	D00811	15		N2	3		
055Z			D00811	DED		31-51-11	D00823			N2			
56	24	PV	D00823	17		31-51-11	D00811	20		N2	3		
056Z			D00811	DED		31-51-11	D00823			N2			
57	22	PA	D00817	14		31-51-11	GDX0002	D..	2	N2	2		
58	24	PV	D00817	27		31-51-11	D00811	51		N2	3		
058Z			D00811	DED		31-51-11	D00817			N2			
59	24	PV	D00817	32		31-51-11	D00811	74		N2	3		
059Z			D00811	DED		31-51-11	D00817			N2			
60	24	PK	D00817	45		31-51-11	SM00021		W	N2	1		
61	24	PK	D00811	64		31-51-11	SM00021		W	N2	2		
62	24	PK	D01489	16		31-51-11	SM00021		W	N2	1		
63	24	PK	D01487	45		31-51-11	SM00021		W	N2	1		
64	24	PV	D01487	27		31-51-11	D00811	47		N2	3		

286T0045-325
Wire Bundle Assembly
Figure 123 (Sheet 3)

25-71-02



BOEING
COMPONENT
MAINTENANCE MANUAL

WIRE		FROM EQUIPMENT		TO EQUIPMENT		WIRE INFO							
NUMBER	GA	TYP	NUMBER	TERM	TT	WDM REF	NUMBER	TERM	TT	EMC/SEP	FT	NOTES	EFFECTIVITY
064Z			D00811	DED		31-51-11	D01487			N2			
65	24	PV	D01487	32		31-51-11	D00811	70		N2	3		
065Z			D00811	DED		31-51-11	D01487			N2			
66	22	PA	D01487	14		31-51-11	GDX0003	D..	2	N2	2		
67	24	PV	D01489	27		31-51-11	D00811	45		N2	3		
067Z			D00811	DED		31-51-11	D01489			N2			
68	24	PV	D01489	32		31-51-11	D00811	50		N2	3		
068Z			D00811	DED		31-51-11	D01489			N2			
69	24	PV	D01489	17		31-51-11	D00811	36		N2	3		
069Z			D00811	DED		31-51-11	D01489			N2			
70	22	PA	D01489	14		31-51-11	GDX0003	D..	2	N2	2		
71	20	UA	D01381			31-51-11	GDX0002	S..	2	N2	2		
72	20	UA	D00823			31-51-11	GDX0002	S..	2	N2	2		
73	20	UA	D00817			31-51-11	GDX0002	S..	2	N2	2		
74	20	PA	SM00026		W	31-51-11	GDX0005	D..	2	N2	2		
75	20	UA	D01487			31-51-11	GDX0005	S..	2	N2	2		
76	20	UA	GDX0005	S..	2	31-51-11	D01489			N2	2		
77	24	PK	D02261	40		31-41-35	D04349J	1		N2	2		
78	20	PA	SM00027		W	31-51-11	GDX0005	D..	2	N2	2		
79	22	PA	D00813	60		31-51-12	GDX0003	S..	2	N2	3	UAE-F2	
80	22	PA	D00821	15		31-51-12	GDX0002	D..	2	N2	2		
81	24	PV	D00821	30		31-51-12	SM00073		W	N2	1		
081Z			D00821			31-51-12	SM00073	REF		N2			
82	24	PV	D00821	33		31-51-12	SM00074		W	N2	1		
082Z			D00821			31-51-12	SM00074	REF		N2			
83	24	PV	D00821	24		31-51-12	D00813	35		N2	3		
083Z			D00813	DED		31-51-12	D00821			N2			
84	24	PK	D00821	19		31-51-12	SM00025		W	N2	1		
85	24	PK	D00813	65		31-51-12	SM00025		W	N2	2		
86	24	PK	D00819	3		31-51-12	SM00025		W	N2	1		
87	24	PK	D01433	18		31-51-12	SM00025		W	N2	1		
88	22	PA	D01433	15		31-51-12	GDX0002	D..	2	N2	2		
89	24	PV	D01433	30		31-51-12	SM00054		W	N2	1		

286T0045-325
Wire Bundle Assembly
Figure 123 (Sheet 4)

25-71-02

TESTING & TROUBLE SHOOTING

01

Page 164G

Nov 01/02

WIRE			FROM EQUIPMENT			TO EQUIPMENT			WIRE INFO				
NUMBER	GA	TYP	NUMBER	TERM	TT	WDM REF	NUMBER	TERM	TT	EMC/ SEP	FT	NOTES	EFFECTIVITY
089Z			SM00054	REF		31-51-12	D01433			N2			
90	24	PV	D01433	33		31-51-12	SM00055		W	N2	1		
090Z			SM00055	REF		31-51-12	D01433			N2			
91	24	PV	D01433	24		31-51-12	SM00056		W	N2	1		
091Z			SM00056	REF		31-51-12	D01433			N2			
92	22	PA	D00819	15		31-51-12	GDX0002	D..	2	N2	2		
93	24	PV	D00819	30		31-51-12	D00813	13		N2	3		
093Z			D00813	DED		31-51-12	D00819			N2			
94	20	PA	SM00032		W	31-51-12	GDX0005	D..	2	N2			
95	24	PV	D01505	X2		31-51-12	D00813	75		N2	3		
095Z			D00813	DED		31-51-12	D01505			N2			
96	24	PV	D01505	X1		31-51-12	SM00016		W	N2	1		
096Z			SM00016	REF		31-51-12	D01505			N2			
97	24	PV	D00813	46		31-51-12	SM00016		W	N2	2		
097Z			SM00016	REF		31-51-12	D00813	DED		N2			
98	20	PA	SM00033		W	31-51-12	GDX0005	D..	2	N2			
99	24	PK	SM00016		W	31-51-12	D11553	25		N2	1		
10A	24	PK	D01489	21		31-51-33	D04349J	23		N2	2		
100	20	PA	D11553	1		31-51-12	GDX0003	D..	2	N2	2		
101	20	VA	D00821			31-51-12	GDX0004	S..	2	N2	2		
102	20	VA	D00819			31-51-12	GDX0004	S..	2	N2	2		
103	20	VA	D01433			31-51-12	GDX0004	S..	2	N2	2		
104	20	VA	D01505			31-51-12	GDX0005	S..	2	N2	2		
106	20	VA	D00815			31-51-12	GDX0004	S..	2	N2	2		
107	20	VA	D01381			31-51-12	GDX0004	S..	2	N2	2		
109	20	VA	D00817			31-51-12	GDX0004	S..	2	N2	2		
110	20	VA	D01487			31-51-12	GDX0004	S..	2	N2	2		
111	20	VA	D01489			31-51-12	GDX0001	S..	2	N2	2		
112	22	PA	D00815	15		31-51-12	GDX0001	S..	2	N2	2		
113	24	PK	D01505	A2		31-51-12	GDX0001	D..	2	N2	2		
114	20	PA	D01505	A3		31-51-12	SM00005		W	N2	1		
115	24	PK	D02261	21		21-61-51	GDX0003	D..	2	N2	2		
116	24	PK	D00815	21		31-51-12	D04347J	25		N2	2		
							SM00023		W	N2	1		

286T0045-325
Wire Bundle Assembly
Figure 123 (Sheet 5)

25-71-02



BOEING
COMPONENT
MAINTENANCE MANUAL

WIRE			FROM EQUIPMENT			TO EQUIPMENT			WIRE INFO				
NUMBER	GA	TYP	NUMBER	TERM	TT	WDM REF	NUMBER	TERM	TT	EMC/SEP	FT	NOTES	EFFECTIVITY
117	24	PK	D00813	63		31-51-12	SM00023		W	N2	2		
118	24	PK	D00823	1		31-51-12	SM00023		W	N2	1		
119	24	PK	D01381	1		31-51-12	SM00023		W	N2	1		
120	22	PA	D01381	15		31-51-12	GDX0001	D..	2	N2	2		
121	24	PK	D00817	56		31-51-12	SM00024		W	N2	1		
122	24	PK	D00813	64		31-51-12	SM00024		W	N2	2		
123	24	PK	D01487	56		31-51-12	SM00024		W	N2	1		
124	22	PA	D00823	15		31-51-12	GDX0001	D..	2	N2	2		
125	20	UA	D00823	33		31-51-12	GDX0004	S..	2	N2	2		
126	24	PV	D00823	33		31-51-12	D00813	15	DED	N2	3		
126Z			D00823			31-51-12	D00813	DED		N2			
127	24	PV	D00823	24		31-51-12	D00813	20	DED	N2	3		
127Z			D00823			31-51-12	D00813	DED		N2			
128	22	PA	D00817	15		31-51-12	GDX0002	D..	2	N2	2		
129	24	PV	D00817	30		31-51-12	D00813	51		N2	3		
129Z			D00817			31-51-12	D00813	DED		N2			
130	24	PV	D00817	33		31-51-12	D00813	74		N2	3		
130Z			D00817			31-51-12	D00813	DED		N2			
131	24	PV	D00813	11		31-51-12	D01381	30		N2	3		
131Z			D01381			31-51-12	D00813	DED		N2			
132	24	PV	D00813	16		31-51-12	D01381	33		N2	3		
132Z			D01381			31-51-12	D00813	DED		N2			
133	24	PV	D01381	24		31-51-12	D00813	21		N2	3		
133Z			D01381			31-51-12	D00813	DED		N2			
134	24	PK	D01489	50		31-51-12	SM00024		W	N2	1		
135	24	PV	D01487	30		31-51-12	D00813	47		N2	3		
135Z			D01487			31-51-12	D00813	DED		N2			
136	24	PV	D01487	33		31-51-12	D00813	70		N2	3		
136Z			D01487			31-51-12	D00813	DED		N2			
137	22	PA	D01487	15		31-51-12	GDX0003	D..	2	N2	2		
138	24	PV	D01489	30		31-51-12	D00813	45		N2	3		
138Z			D01489			31-51-12	D00813	DED		N2			
139	24	PV	D01489	33		31-51-12	D00813	50		N2	3		

286T0045-325
Wire Bundle Assembly
Figure 123 (Sheet 6)

25-71-02

WIRE			FROM EQUIPMENT			TO EQUIPMENT			WIRE INFO				
NUMBER	GA	TYP	NUMBER	TERM	TT	WDM REF	NUMBER	TERM	TT	EMC/SEP	FT	NOTES	EFFECTIVITY
139Z			D01489			31-51-12	D00813	DED		N2			
140	24	PV	D01489	24		31-51-12	D00813	36		N2	3		
140Z			D01489			31-51-12	D00813	DED		N2			
141	22	PA	D01489	15		31-51-12	GDX0003	D..	2	N2	2		
142	24	PK	D00813	33		31-51-12	D11553	26		N2	3		
143	24	PK	D11553	27		31-51-12	D00813	34		N2	3		
144	24	PV	D00813	12		31-51-12	D00815	30		N2	3		
144Z			D00813	DED		31-51-12	D00815			N2			
145	20	PA	SM00030		W	31-51-12	GDX0005	D..	2	N2			
146	24	PV	D00813	17		31-51-12	D00815	33		N2	3		
146Z			D00813	DED		31-51-12	D00815			N2			
147	24	PV	D00813	22		31-51-12	D00815	24		N2	3		
147Z			D00813	DED		31-51-12	D00815			N2			
148	24	PV	D00813	10		31-51-12	D00823	30		N2	3		
148Z			D00813	DED		31-51-12	D00823			N2			
149	20	PA	SM00031		W	31-51-12	GDX0005	D..	2	N2			
150	22	PA	D04301J	6		27-32-11	D00823	34		N2	2		
151	24	PK	D04509J	1		27-32-11	D00823	39		N2	2		
152	24	PK	D04347J	26		27-32-11	D00823	40		N2	2		
153	24	PK	D00823	31		27-32-11	D04509J	6		N2	2		
154	20	PA	D04509J	7		27-32-11	GDX0001	D..	2	N2	2		
155	24	PK	SM00037		W	27-32-11	D04511J	3		N2	1		
156	24	PK	D00823	38		27-32-11	D04511J	2		N2	2		
157	24	PK	D04511J	4		27-32-11	SM00050		W	N2	1		
158	24	PK	SM00037		W	27-32-11	D00823	4		N2	1		
159	24	PK	D04349J	14		27-32-11	D00823	36		N2	1		
160	24	PK	D04349J	15		27-32-11	D00823	3		N2	1		
161	24	PK	D04349J	16		27-32-11	D00823	43		N2	1		
162	24	PK	D04349J	10		27-32-11	D00823	2		N2	1		
165	22	PA	D04349J	11		27-32-21	D01381	34		N2	2		
166	24	PK	D01381	40		27-32-21	D04349J	6		N2	2		
167	24	PK	D01381	31		27-32-21	D04511J	7		N2	2		
168	20	PA	GDX0002	D..	2	27-32-21	D04511J	8		N2	2		

286T0045-325
Wire Bundle Assembly
Figure 123 (Sheet 7)

25-71-02



BOEING
COMPONENT
MAINTENANCE MANUAL

WIRE			FROM EQUIPMENT			TO EQUIPMENT			WIRE INFO				
NUMBER	GA	TYP	NUMBER	TERM	TT	WDM REF	NUMBER	TERM	TT	EMC/SEP	FT	NOTES	EFFECTIVITY
169	24	PK	D04349J	34		27-32-21	D01381	36		N2	2		
170	24	PK	D04349J	35		27-32-21	D01381	3		N2	2		
171	24	PK	D04349J	36		27-32-21	D01381	43		N2	2		
172	24	PK	D04349J	37		27-32-21	D01381	2		N2	2		
173	24	PK	D04511J	13		27-32-21	D01381	4		N2	2		
174	24	PK	D04511J	16		27-32-21	D01381	37		N2	2		
175	24	PK	D04511J	15		27-32-21	D01381	38		N2	2		
176	24	PK	D04509J	8		27-32-21	D01381	39		N2	2		
177	24	PK	D00815	34		31-51-21	SM00057		W	N2	1		
178	24	PK	D00815	43		31-51-21	D01433	19		N2	2		
179	24	PK	D00815	10		31-51-21	D00819	5		N2	2		
180	24	PK	D04507J	5		31-51-21	SM00034		W	N2	1		
181	24	PK	SM00058		W	31-51-21	D00815	66		N2	1		
182	24	PK	D00815	4		31-51-21	SM00034		W	N2	1		
183	24	PK	D00815	11		31-51-21	D04349J	39		N2	2		
184	22	PA	D00815	37		31-51-21	SM00035		W	N2	1		
185	22	PA	D00815	42		31-51-21	SM00036		W	N2	1		
186	24	PK	D04349J	5		31-51-21	SM00012		W	N2	1		
187	24	PK	D00815	2		31-51-21	SM00012		W	N2	1		
188	24	PK	SM00011		W	31-51-21	D04349J	4		N2	1		
189	24	PK	SM00011		W	31-51-21	D00815	35		N2	1		
190	24	PK	D04349J	12		31-51-21	SM00009		W	N2	1		
191	24	PK	D00815	44		31-51-21	SM00009		W	N2	1		
192	24	PK	D04347J	10		31-51-21	SM00008		W	N2	1		
193	24	PK	D00815	1		31-51-21	SM00008		W	N2	1		
194	24	PK	D04347J	11		31-51-21	SM00010		W	N2	1		
195	24	PK	D00815	36		31-51-21	SM00010		W	N2	1		
196	24	PK	SM00039		W	31-51-21	D04347J	21		N2	1		
197	24	PK	D00815	45		31-51-21	SM00039		W	N2	1		
198	24	PK	D00815	46		31-51-21	D04347J	6		N2	2		
199	20	PA	GDX0004	S..		31-51-31	D04597J	14		N2	2		
201B	24	PW	D01489	43	2	31-51-33	SM00004		W	N2	1		
201R	24	PW	D01489	9		31-51-33	SM00003		W	N2			

286T0045-325
Wire Bundle Assembly
Figure 123 (Sheet 8)

25-71-02

WIRE			FROM EQUIPMENT			TO EQUIPMENT			WIRE INFO				
NUMBER	GA	TYP	NUMBER	TERM	TT	WDM REF	NUMBER	TERM	TT	EMC/ SEP	FT	NOTES	EFFECTIVITY
201Z			D01489	DED		31-51-33	SM00003	REF		N2			
204	20	UA	D04507J			27-32-11	GDX0004	S..	2	N2	2		
204B	24	PW	D00823	18		27-32-11	D04507J	12		N2	1		
204R	24	PW	D00823	16		27-32-11	D04507J	11		N2			
204Z			D04507J			27-32-11	D00823	DED		N2			
205B	24	PW	D00815	19		31-51-21	SM00007		W	N2	1		
205R	24	PW	D00815	52		31-51-21	SM00006		W	N2			
205Z			D00815	DED		31-51-21	SM00006			N2			
207	20	UA	D04597J			31-51-21	GDX0004	S..	2	N2	2		
207B	24	PW	SM00007		W	31-51-21	D04597J	4		N2	1		
207R	24	PW	SM00006		W	31-51-21	D04597J	3		N2			
207Z			SM00006			31-51-21	D04597J			N2			
208	20	UA	D04301J			34-16-11	GDX0002	S..	2	N2	2		
208B	24	PW	D00821	36		34-16-11	D04301J	9		N2	2		
208R	24	PW	D00821	2		34-16-11	D04301J	8		N2			
208Z			D00821	DED		34-16-11	D04301J			N2			
209B	24	PW	D01489	46		31-51-33	SM00007		W	N2	1		
209R	24	PW	D01489	12		31-51-33	SM00006		W	N2			
209Z			D01489	DED		31-51-33	SM00006			N2			
212B	24	PW	D01433	36		31-51-42	SM00007		W	N2	1		
212R	24	PW	D01433	2		31-51-42	SM00006		W	N2			
212Z			D01433	DED		31-51-42	SM00006			N2			
213	20	UA	D04507J			34-16-11	GDX0004	S..	2	N2	2		
213B	24	PW	D00821	35		34-16-11	D04507J	8		N2	2		
213R	24	PW	D00821	1		34-16-11	D04507J	9		N2			
213Z			D00821	DED		34-16-11	D04507J			N2			
214	20	UA	D04349J			34-16-11	GDX0004	S..	2	N2	2		
214B	24	PW	D00821	37		34-16-11	D04349J	19		N2	2		
214R	24	PW	D00821	3		34-16-11	D04349J	18		N2			
214Z			D00821	DED		34-16-11	D04349J			N2			
215B	24	PL	D01487	24		31-51-31	D04597J	12		N2	2		
215R	24	PL	D01487	23		31-51-31	D04597J	13		N2			
216B	24	PL	D00817	24		31-51-32	D04303J	12		N2	2		

286T0045-325
Wire Bundle Assembly
Figure 123 (Sheet 9)

25-71-02



BOEING
COMPONENT
MAINTENANCE MANUAL

WIRE		FROM EQUIPMENT			TO EQUIPMENT			WIRE INFO					
NUMBER	GA	TYP	NUMBER	TERM	TT	WDM REF	NUMBER	TERM	TT	EMC/SEP	FT	NOTES	EFFECTIVITY
216R	24	PL	D00817	23		31-51-32	D04303J	11		N2			
221B	24	PW	D01489	45		31-51-33	SM00004		W	N2	1		
221R	24	PW	D01489	11		31-51-33	SM00003		W	N2			
221Z	24	PW	D01489	DED		31-51-33	SM00003	REF		N2			
223B	24	PW	D00821	38		34-16-11	SM00004		W	N2	1		
223R	24	PW	D00821	4		34-16-11	SM00003		W	N2			
223Z	24	UA	D04349J	DED		34-16-11	SM00003	REF		N2			
224	20	UA	D04349J	28		27-32-21	GDX0004	S..	2	N2	2		
224B	24	PW	D04349J	28		27-32-21	D01381	18		N2	2		
224R	24	PW	D04349J	27		27-32-21	D01381	16		N2			
224Z	22	PR	D00811	69		27-32-21	D01381	DED		N2	2		
225B	22	PR	D00811	68		31-51-11	SM00060		W	N2			
225R	22	PR	D00811	DED		31-51-11	SM00060		W	N2			
225Z	22	PR	D00811	69		31-51-11	SM00028	REF		N2	2		
226B	22	PR	D00813	68		31-51-12	SM00061		W	N2			
226R	22	PR	D00813	68		31-51-12	SM00061		W	N2			
226Z	20	UA	D04347J	18		31-51-12	SM00030	REF		N2	2		
230B	24	PW	D04347J	17		31-51-33	GDX0003	S..	2	N2	1		
230R	24	PW	D04347J	17		31-51-33	SM00004		W	N2			
230Z	20	UA	D04347J	37		31-51-33	SM00003	REF		N2	2		
236	24	PW	D04347J	36		27-32-11	GDX0001	S..	2	N2	2		
236B	24	PW	D04347J	37		27-32-11	D00823	54		N2	2		
236R	24	PW	D04347J	36		27-32-11	D00823	23		N2			
236Z	24	PW	D04347J	40		27-32-11	D00823	DED		N2			
237B	24	PW	D04347J	39		27-32-11	D00823	13		N2	2		
237R	24	PW	D04347J	39		27-32-11	D00823	12		N2			
237Z	20	UA	D04349J	49		27-32-11	D00823	DED		N2	2		
238B	24	PW	D04349J	48		27-32-21	GDX0001	S..	2	N2	2		
238R	24	PW	D04349J	48		27-32-21	D01381	54		N2	2		
238Z	24	PW	D04349J	20		27-32-21	D01381	23		N2			
239B	24	PW	D01381	20		27-32-21	D01381	DED		N2	2		

286T0045-325
Wire Bundle Assembly
Figure 123 (Sheet 10)

25-71-02

WIRE			FROM EQUIPMENT			TO EQUIPMENT			WIRE INFO				
NUMBER	GA	TYP	NUMBER	TERM	TT	WDM REF	NUMBER	TERM	TT	EMC/SEP	FT	NOTES	EFFECTIVITY
239R	24	PW	D01381	19		27-32-21	D04349J	54		N2			
239Z			D01381	DED		27-32-21	D04349J			N2			
240B	24	PL	D04347J	23		31-51-31	SM00080		W	N2	1		
240R	24	PL	D04347J	22		31-51-31	SM00042		W	N2	1		
241B	24	PL	D01487	60		31-51-31	SM00080		W	N2			
241R	24	PL	D01487	28		31-51-31	SM00042		W	N2			
242B	24	PL	D00817	60		31-51-32	SM00080		W	N2	1		
242R	24	PL	D00817	28		31-51-32	SM00042		W	N2			
243B	24	PW	D04349J	52		27-32-21	D01381	13		N2	2		
243R	24	PW	D04349J	51		27-32-21	D01381	12		N2			
243Z			D04349J			27-32-21	D01381	DED		N2			
245B	24	PW	D00823	20		27-32-11	D04347J	48		N2	2		
245R	24	PW	D00823	19		27-32-11	D04347J	47		N2			
245Z			D00823	DED		27-32-11	D04347J			N2			
247	20	UA	D04349J			31-41-35	GDX0006	S..	2	N2	2		
247B	24	PW	D02261	42		31-41-35	D04349J	57		N2	2		
247R	24	PW	D02261	43		31-41-35	D04349J	56		N2			
247Z			D02261	DED		31-41-35	D04349J			N2			
248	20	UA	D04349J			28-41-11	GDX0006	S..	2	N2	2		
248B	24	PW	D02261	5		28-41-11	D04349J	60		N2	2		
248R	24	PW	D02261	8		28-41-11	D04349J	59		N2			
248Z			D02261	DED		28-41-11	D04349J			N2			
271B	24	PL	D04597J	5		31-51-31	SM00088		W	N2	1		
271R	24	PL	D04597J	2		31-51-31	SM00087		W	N2			
272B	24	PL	D01487	63		31-51-31	SM00088		W	N2	1		
272R	24	PL	D01487	62		31-51-31	SM00087		W	N2			
273B	24	PL	D00817	63		31-51-32	SM00088		W	N2	1		
273R	24	PL	D00817	62		31-51-32	SM00087		W	N2			
290B	24	PW	D04597J	8		34-43-15	SM00104		W	N2	1		
290R	24	PW	D04597J	7		34-43-15	SM00103		W	N2			
290Z			D04597J	9		34-43-15	SM00103	REF		N2			
291B	24	PW	D04303J	4		34-43-15	SM00104		W	N2	1		
291R	24	PW	D04303J	3		34-43-15	SM00103		W	N2			

286T0045-325
Wire Bundle Assembly
Figure 123 (Sheet 11)

25-71-02



BOEING
COMPONENT
MAINTENANCE MANUAL

WIRE		FROM EQUIPMENT			TO EQUIPMENT			WIRE INFO			
NUMBER	GA	TYP	NUMBER	TERM TT	WDM REF	NUMBER	TERM TT	EMC/SEP	FT	NOTES	EFFECTIVITY
291Z			D04303J	5	34-43-15	SM00103	REF	N2			
292B	24	PW	D04347J	53	34-43-15	SM00104		N2	1		
292R	24	PW	D04347J	51	34-43-15	SM00103		N2			
292Z			D04347J	61	34-43-15	SM00103	REF	N2			
301	20	UA	SM00028	REF	31-51-11	GDX0005	S..	N2	1		
301B	22	PS	D00811	57	31-51-11	SM00028		N2	2		
301R	22	PS	D00811	38	31-51-11	SM00028		N2			
301Y	22	PS	D00811	58	31-51-11	SM00028		N2			
301Z			D00811	DED	31-51-11	SM00028	REF	N2			
302B	22	PS	D00811	42	31-51-11	SM00029		N2	2		
302R	22	PS	D00811	41	31-51-11	SM00029		N2			
302Y	22	PS	D00811	43	31-51-11	SM00029		N2			
302Z			D00811	DED	31-51-11	SM00028	REF	N2			
303B	22	PS	D00811	8	31-51-11	SM00026		N2	2		
303R	22	PS	D00811	7	31-51-11	SM00026		N2			
303Y	22	PS	D00811	9	31-51-11	SM00026		N2			
303Z			D00811	DED	31-51-11	SM00028	REF	N2			
304B	22	PS	D00811	25	31-51-11	SM00027		N2	2		
304R	22	PS	D00811	24	31-51-11	SM00027		N2			
304Y	22	PS	D00811	37	31-51-11	SM00027		N2			
304Z			D00811	DED	31-51-11	SM00028	REF	N2			
305	20	UA	SM00030	REF	31-51-12	GDX0005	S..	N2	1		
305B	22	PS	D00813	8	31-51-12	SM00030		N2	2		
305R	22	PS	D00813	7	31-51-12	SM00030		N2			
305Y	22	PS	D00813	9	31-51-12	SM00030		N2			
305Z			D00813	DED	31-51-12	SM00030	REF	N2			
306B	22	PS	D00813	25	31-51-12	SM00031		N2	2		
306R	22	PS	D00813	24	31-51-12	SM00031		N2			
306Y	22	PS	D00813	37	31-51-12	SM00031		N2			
306Z			D00813	DED	31-51-12	SM00030	REF	N2			
307B	22	PS	D00813	57	31-51-12	SM00032		N2	2		
307R	22	PS	D00813	38	31-51-12	SM00032		N2			
307Y	22	PS	D00813	58	31-51-12	SM00032		N2			

286T0045-325
Wire Bundle Assembly
Figure 123 (Sheet 12)

25-71-02

WIRE		FROM EQUIPMENT			TO EQUIPMENT			WIRE INFO			
NUMBER	GA	TYP	NUMBER	TERM TT	WDM REF	NUMBER	TERM TT	EMC/SEP	FT	NOTES	EFFECTIVITY
307Z			D00813	DED	31-51-12	SM00030	REF	N2			
308B	22	PS	D00813	42	31-51-12	SM00033		N2	2		
308R	22	PS	D00813	41	31-51-12	SM00033		N2			
308Y	22	PS	D00813	43	31-51-12	SM00033		N2			
308Z			D00813	DED	31-51-12	SM00030	REF	N2			
512	24	PK	D02261	20	27-81-31	D04349J	8	N2	2		
601	20	PA	SM00060		31-51-11	GDX0004	D..	N2			
602	20	PA	SM00061		31-51-12	GDX0005	D..	N2			
603	24	PV	D04301J	5	31-51-12	M01103	INE	N2	1		
603Z			D04301J	DED	31-51-12	M01103		N2			
604	24	PV	D04301J	4	31-51-12	D00813	4	N2	3		
604Z			D04301J	DED	31-51-12	D00813		N2			
605	24	PV	D00813	1	31-51-12	M01103	OAD	N2	3		
605Z			D00813		31-51-12	M01103	DED	N2			
606	24	PV	D04349J	32	31-51-11	M01102	INE	N2	1		
606Z			D04349J	DED	31-51-11	M01102		N2			
607	24	PV	D04349J	33	31-51-11	D00811	4	N2	3		
607Z			D04349J	DED	31-51-11	D00811		N2			
608	24	PV	D00811	1	31-51-11	M01102	OAD	N2	3		
608Z			D00811		31-51-11	M01102	DED	N2			
610	24	PK	D00823	37	27-32-11	SM00050		N2	1		
611	24	PK	D01433	6	31-51-42	D04347J	20	N2	2		
612	24	PK	D01433	4	31-51-42	SM00050		N2	1		
613	24	PK	D04349J	30	31-51-31	SM00065		N2	1		
614	24	PK	D01487	52	31-51-31	SM00065		N2	1		
615	24	PK	D00817	52	31-51-32	SM00065		N2	1		
617	24	PK	D01381	11	27-32-12	D00823	56	N2	1		
618	24	PK	D01381	56	27-32-12	D00823	11	N2	1		
619	24	PK	D00823	45	27-32-12	SM00082		N2	1		
620	24	PK	D04349J	29	31-51-21	SM00071		N2	1		
621	24	PK	D00815	7	31-51-21	SM00071		N2	1		
622	24	PK	D01489	2	31-51-33	SM00071		N2	1		
623	24	PK	D01489	36	31-51-33	SM00038		N2	1		

286T0045-325
Wire Bundle Assembly
Figure 123 (Sheet 13)

25-71-02



BOEING
COMPONENT
MAINTENANCE MANUAL

WIRE		FROM EQUIPMENT			TO EQUIPMENT			WIRE INFO					
NUMBER	GA	TYP	NUMBER	TERM	TT	WDM REF	NUMBER	TERM	TT	EMC/SEE	FT	NOTES	EFFECTIVITY
624	24	PK	D00815	8		31-51-21	SM00045		W	N2	1		
625	24	PK	D01487	9		31-51-31	SM00034		W	N2	1		
631	24	PK	D00817	9		31-51-32	SM00034		W	N2	1		
644	22	PQ	D00823	66		27-32-31	D04347J	42		N2	2		
644Z			D00823	DED		27-32-31	D04347J	DED		N2	2		
646	22	PQ	D01381	66		27-32-31	D04349J	42		N2	2		
646Z			D01381	DED		27-32-31	D04349J	DED		N2	2		
648	24	PK	D00821	40		34-16-11	D04347J	32		N2	2		
649	24	PK	SM00038		W	34-16-11	D04347J	33		N2	1		
652	24	PV	D00811	26		31-51-11	SM00068		W	N2	2		
652Z			D00811	DED		31-51-11	SM00068	REF		N2	2		
653	24	PV	D00811	49		31-51-11	SM00069		W	N2	2		
653Z			D00811	DED		31-51-11	SM00069	REF		N2	2		
654	24	PV	D01739	27		31-51-11	SM00068		W	N2	1		
654Z			D01739	DED		31-51-11	SM00068	REF		N2	1		
655	24	PV	D01739	32		31-51-11	SM00069		W	N2	1		
655Z			D01739	DED		31-51-11	SM00069	REF		N2	1		
656	24	PK	D01739	10		31-51-11	SM00022		W	N2	1		
657	22	PA	D01739	14		31-51-11	GDX0006	D..	2	N2	2		
658	24	PV	D01741	27		31-51-11	D00811	62		N2	3		
658Z			D01741	DED		31-51-11	D00811	DED		N2	3		
659	24	PV	D01741	32		31-51-11	D00811	76		N2	3		
659Z			D01741	DED		31-51-11	D00811	DED		N2	3		
660	20	UA	D01741			31-51-11	GDX0006	S..	2	N2	1		
661	24	PK	D01741	10		31-51-11	D00811	66		N2	3		
662	22	PA	D01741	14		31-51-11	GDX0006	D..	2	N2	1		
663	24	PV	D00813	26		31-51-12	SM00073		W	N2	2		
663Z			D00813	DED		31-51-12	SM00073	REF		N2	2		
664	24	PV	D00813	49		31-51-12	SM00074		W	N2	2		
664Z			D00813	DED		31-51-12	SM00074	REF		N2	2		
665	24	PV	D01739	30		31-51-12	SM00073		W	N2	1		
665Z			D01739	DED		31-51-12	SM00073	REF		N2	1		
666	24	PV	D01739	33		31-51-12	SM00074		W	N2	1		
			D01739	DED		31-51-12	SM00074	REF		N2	1		

286T0045-325
Wire Bundle Assembly
Figure 123 (Sheet 14)

25-71-02

WIRE			FROM EQUIPMENT			TO EQUIPMENT			WIRE INFO				
NUMBER	GA	TYP	NUMBER	TERM	T/T	WDM REF	NUMBER	TERM	T/T	EMC/ SEP	FT	NOTES	EFFECTIVITY
666Z			D01739	DED		31-51-12	SM00074	REF		N2			
667	24	PK	D01739	9		31-51-12	SM00025		W	N2	1		
668	22	PA	D01739	15		31-51-12	GDX0006	D..	2	N2	2		
669	24	PV	D01741	30		31-51-12	D00813	62		N2	2		
669Z			D01741	REF		31-51-12	D00813	DED		N2			
670	24	PV	D01741	33		31-51-12	D00813	76		N2	2		
670Z			D01741	REF		31-51-12	D00813	DED		N2			
671	20	UA	D01741	REF		31-51-12	GDX0006	S..	2	N2	1		
672	24	PK	D01741	9		31-51-12	D00813	66		N2	2		
673	22	PA	D01741	15		31-51-12	GDX0006	D..	2	N2	1		
674	24	PK	D01739	24		31-51-31	D01487	53		N2	2		
675	24	PK	D01741	24		31-51-32	D00817	53		N2	2		
676			DELETED										
677			DELETED										
679			DELETED										
680			DELETED										
681	24	PK	D01433	10		31-51-43	D04507J	10		N2	2		
682	24	PK	D01433	13		31-51-43	D04347J	46		N2	2		
683	22	PA	D01433	41		31-51-43	SM00081		W	N2	1		
684	20	PA	GDX0001	D..	2	31-51-43	D04349J	47		N2	2		
685	24	PK	D00823	58		27-32-12	D01505	A1		N2	2		
686	24	PK	D00823	8		27-32-11	SM00038		W	N2	1		
687	24	PK	D00823	64		27-32-11	SM00081		W	N2	1		
688	24	PK	D01381	58		27-32-22	D01503	A1		N2	2		
689	24	PK	D01381	45		27-32-22	SM00085		W	N2	1		
692	24	PK	D01381	8		27-32-21	SM00038		W	N2	1		
693	24	PK	D04347J	30		31-51-21	D00815	6		N2	2		
694	22	PA	D04349J	46		31-51-43	SM00081		W	N2	1		
696	20	PA	GDX0003	D..	2	27-32-12	SM00082		W	N2	1		
697	20	PA	GDX0003	D..	2	27-32-22	SM00085		W	N2	1		
701	24	PK	D00815	49		31-51-21	D00815	22		N2	2		
702	24	PK	D00815	16		31-51-21	D00815	48		N2	2		
703	24	PK	D00819	6		31-51-41	SM00019		W	N2	1		

286T0045-325
Wire Bundle Assembly
Figure 123 (Sheet 15)

25-71-02



BOEING
COMPONENT
MAINTENANCE MANUAL

WIRE			FROM EQUIPMENT			TO EQUIPMENT			WIRE INFO				
NUMBER	GA	TYP	NUMBER	TERM	TT	WDM REF	NUMBER	TERM	TT	EMC/SEP	FT	NOTES	EFFECTIVITY
704	24	PK	SM00075		W	31-51-41	D04511J	14		N2	1		
705	24	PK	D00819	45		31-51-41	D04511J	12		N2	2		
706	24	PK	D00819	10		31-51-41	D04349J	31		N2	2		
707	24	PK	D00819	21		31-51-41	D04509J	4		N2	2		
708	24	PK	D00819	9		31-51-41	D04349J	7		N2	2		
709	24	PK	D00819	39		31-51-41	SM00044		W	N2	1		
710	24	PK	D00819	43		31-51-41	SM00037		W	N2	1		
711	24	PK	D00819	12		31-51-41	D04349J	21		N2	2		
712	24	PK	D00819	53		31-51-41	D04349J	3		N2	2		
713	24	PK	D00819	20		31-51-41	D04347J	9		N2	2		
714	24	PK	D00819	44		31-51-41	D04349J	24		N2	2		
715	24	PK	D04507J	6		31-51-42	SM00019		W	N2	1		
716	24	PK	D01433	34		31-51-42	SM00019		W	N2	1		
717	24	PK	D01433	37		31-51-42	SM00034		W	N2	1		
718	24	PK	D01433	39		31-51-42	D04509J	2		N2	2		
720	24	PK	D01433	52		31-51-42	SM00040		W	N2	1		
721	24	PK	D01433	38		31-51-42	D04347J	24		N2	2		
722	24	PK	D01433	5		31-51-42	D04349J	22		N2	2		
723	24	PK	D04511J	11		31-51-42	SM00038		W	N2	1		
724	24	PK	D01433	40		31-51-42	SM00038		W	N2	1		
725	24	PK	D01433	3		31-51-42	D04347J	13		N2	2		
726	22	PA	D04347J	14		31-51-21	SM00036		W	N2	1		
727	22	PA	D04301J	11		31-51-21	SM00035		W	N2	1		
728	24	PK	D04347J	1		31-51-41	D00819	35		N2	2		
729	24	PK	D04347J	2		31-51-41	D00819	1		N2	2		
730	24	PK	D04347J	3		31-51-41	D00819	36		N2	2		
731	24	PK	D04347J	4		31-51-41	D00819	2		N2	2		
732	24	PK	D04347J	5		31-51-42	D01433	20		N2	2		
733	24	PK	D04347J	16		34-16-11	D00821	65		N2	2		
734	24	PK	D04347J	8		31-51-31	SM00046		W	N2	1		
735	24	PK	D04507J	7		34-16-11	D00821	34		N2	2		
736	24	PK	D04507J	2		34-16-11	D00821	66		N2	2		
737	24	PK	SM00041		W	34-16-11	D00821	31		N2	1		

286T0045-325
Wire Bundle Assembly
Figure 123 (Sheet 16)

25-71-02

WIRE			FROM EQUIPMENT			TO EQUIPMENT			WIRE INFO				
NUMBER	GA	TYP	NUMBER	TERM	TT	WDM REF	NUMBER	TERM	TT	EMC/SEP	FT	NOTES	EFFECTIVITY
738	24	PK	D04347J	19		34-16-11	D00821	7		N2	2		
739	24	PK	SM00075		W	34-16-11	D00821	6		N2	1		
741	24	PK	D00821	18		34-16-11	D00821	22		N2			
742	24	PK	D00821	50		34-16-11	D00821	48		N2			
746	24	PK	D04597J	10		31-51-31	SM00043		W	N2	1		
747	24	PK	D01487	46		31-51-31	SM00043		W	N2	1		
748	24	PK	D04347J	7		31-51-31	SM00045		W	N2	1		
749	24	PK	D01487	10		31-51-31	SM00045		W	N2	1		
750	24	PK	D01487	19		31-51-31	SM00046		W	N2	1		
751	24	PK	D01487	13		31-51-31	SM00040		W	N2	1		
752	24	PK	D01487	47		31-51-31	SM00044		W	N2	1		
753	24	PK	D01487	51		31-51-31	SM00041		W	N2	1		
755	24	PV	D01487	1		31-51-31	SM00035		W	N2	1		
755Z			D01487	DED		31-51-31	SM00035	DED		N2			
756	24	PK	D01487	50		31-51-31	SM00036		W	N2	1		
757	24	PK	D01739	11		31-51-35	SM00039		W	N2	1		
758	24	PK	D01487	22		31-51-31	D01489	23		N2	2		
759	24	PK	D01487	55		31-51-31	D01489	47		N2	2		
760	24	PK	D01487	34		31-51-31	D01489	51		N2	2		
761	24	PK	D01487	66		31-51-31	D01489	57		N2	2		
762	24	PK	D00817	10		31-51-32	SM00045		W	N2	1		
763	24	PK	D00817	46		31-51-32	SM00043		W	N2	1		
764	24	PV	D00817	1		31-51-32	SM00035		W	N2	1		
764Z			D00817	DED		31-51-32	SM00035	DED		N2			
765	24	PK	D00817	50		31-51-32	SM00036		W	N2	1		
766	24	PV	D01741	11		31-51-36	SM00053		W	N2	1		
766Z			D01741	DED		31-51-36	SM00053	DED		N2			
767	24	PK	D00817	19		31-51-32	SM00046		W	N2	1		
768	24	PK	D00817	13		31-51-32	SM00040		W	N2	1		
769	24	PK	D00817	47		31-51-32	SM00044		W	N2	1		
770	24	PK	D00817	51		31-51-32	SM00041		W	N2	1		
772	24	PK	D00817	22		31-51-32	D01489	54		N2	2		
773	24	PK	D00817	55		31-51-32	D01489	13		N2	2		

286T0045-325
Wire Bundle Assembly
Figure 123 (Sheet 17)

25-71-02



BOEING
COMPONENT
MAINTENANCE MANUAL

WIRE			FROM EQUIPMENT			TO EQUIPMENT			WIRE INFO				
NUMBER	GA	TYP	NUMBER	TERM	TT	WDM REF	NUMBER	TERM	TT	EMC/SEP	FT	NOTES	EFFECTIVITY
774	24	PK	D00817	34		31-51-32	D01489	25		N2	2		
775	24	PK	D00817	66		31-51-32	D01489	58		N2	2		
776	24	PK	D01489	42		31-51-33	D04347J	15		N2	2		
777	24	PK	D01489	8		31-51-33	D04349J	13		N2	2		
779	24	PK	D01489	35		31-51-33	D04349J	40		N2	2		
780	24	PK	D01489	53		31-51-33	D04349J	2		N2	2		
781	24	PK	D01489	31		31-51-33	D01489	48		N2	2		
782	24	PK	D01489	18		31-51-33	D01489	22		N2	2		
783	24	PK	D01489	38		31-51-33	SM00008		W	N2	1		
784	24	PK	D01489	4		31-51-33	SM00011		W	N2	1		
785	24	PK	D01489	37		31-51-33	SM00012		W	N2	1		
786	24	PK	D01489	3		31-51-33	SM00010		W	N2	1		
787	24	PK	D01489	1		31-51-33	SM00009		W	N2	1		
788	24	PK	D01489	6		31-51-33	SM00034		W	N2	1		
789	24	PK	D01489	41		31-51-33	D04509J	11		N2	2		
791	24	PK	D01489	7		31-51-33	D04509J	10		N2	2		
792	24	PK	D01489	40		31-51-33	D04509J	9		N2	2		
793	24	PK	D00819	11		31-51-41	SM00075		W	N2	1		
794	20	PA	D04303J	10		31-51-32	GDX0004	S..	2	N2	2		
795	24	PK	D01433	9		31-51-42	D01433	48		N2	2		
796	24	PK	D01433	22		31-51-42	D01433	50		N2	2		
797	24	PV	D00815	41		31-51-21	SM00053		W	N2	1		
797Z			D00815	DED		31-51-21	SM00053	DED		N2	2		
798	24	PV	D04349J	9		31-51-21	SM00053	DED	W	N2	1		
798Z			D04349J	DED		31-51-21	SM00053	DED		N2	2		
817	24	PK	D00823	55		27-32-12	D11553	6		N2	2		
818	24	PK	D00823	21		27-32-12	D11553	4		N2	2		
819	24	PK	D00823	51		27-32-12	D11553	3		N2	2		
820	24	PK	D00823	50		27-32-12	D11553	2		N2	2		
821	24	PK	D00823	49		27-32-12	D11553	7		N2	2		
822	24	PK	D00823	47		27-32-12	D11553	8		N2	2		
823	24	PK	D00823	46		27-32-12	D11553	9		N2	2		
824	24	PK	D00823	53		27-32-12	D11553	5		N2	2		

286T0045-325
Wire Bundle Assembly
Figure 123 (Sheet 18)

25-71-02

TESTING & TROUBLE SHOOTING

01

Page 164U

Nov 01/02

WIRE			FROM EQUIPMENT			TO EQUIPMENT			WIRE INFO				
NUMBER	GA	TYP	NUMBER	TERM	TT	WDM REF	NUMBER	TERM	TT	EMC/SEP	FT	NOTES	EFFECTIVITY
825	24	PK	D00823	62		27-32-12	D11553	24		N2	2		
826	24	PK	D01381	55		27-32-22	D11553	16		N2	2		
827	24	PK	D01381	21		27-32-22	D11553	14		N2	2		
828	24	PK	D01381	51		27-32-22	D11553	13		N2	2		
829	24	PK	D01381	50		27-32-22	D11553	12		N2	2		
830	24	PK	D01381	49		27-32-22	D11553	17		N2	2		
831	24	PK	D01381	47		27-32-22	D11553	18		N2	2		
832	24	PK	D01381	46		27-32-22	D11553	19		N2	2		
833	24	PK	D01381	53		27-32-22	D11553	15		N2	2		
834	24	PK	D01381	62		27-32-22	D11553	34		N2	2		
835	24	PK	D04349J	50		27-32-21	D01381	64		N2	2		
836	20	PA	D04349J	53		27-32-21	GDX0002	S..	2	N2	2		
837	24	PK	D00823	42		27-32-12	SM00082		W	N2	1		
838	24	PK	D01381	42		27-32-22	SM00085		W	N2	1		
842	24	PK	D01381	6		27-32-22	SM00085		W	N2	1		
843	24	PK	D00823	6		27-32-12	SM00082		W	N2	1		
862	22	PA	D02261	30		31-41-35	GDX0006	S..	2	N2	1		
863	22	PA	D02261	32		31-41-35	GDX0006	S..	2	N2	1		
864	22	PA	D02261	33		31-41-35	GDX0006	S..	2	N2	1		
865	22	PA	D02261	64		31-41-35	GDX0006	S..	2	N2	1		
866	24	PV	D02261	27		31-51-11	SM00018		W	N2	1		
866Z			D02261	DED		31-51-11	SM00018	REF		N2			
867	24	PV	D02261	28		31-51-11	SM00047		W	N2	1		
867Z			D02261	DED		31-51-11	SM00047	REF		N2			
868	24	PV	D02261	29		31-51-12	SM00054		W	N2	1		
868Z			D02261	DED		31-51-12	SM00054	REF		N2			
869	24	PK	D02261	34		31-51-12	SM00025		W	N2	1		
870	22	PA	D02261	56		31-51-12	GDX0001	S..	2	N2	2		
871	22	PA	D02261	57		31-51-12	GDX0003	S..	2	N2	2		
872	22	PA	D02261	59		31-51-11	GDX0005	S..	2	N2	1		
873	24	PV	D02261	60		31-51-12	SM00055		W	N2	1		
873Z			D02261	DED		31-51-12	SM00055	REF		N2			
874	24	PV	D02261	62		31-51-11	SM00049		W	N2	1		

286T0045-325
Wire Bundle Assembly
Figure 123 (Sheet 19)

25-71-02



BOEING
COMPONENT
MAINTENANCE MANUAL

WIRE			FROM EQUIPMENT			TO EQUIPMENT			WIRE INFO					
NUMBER	GA	TYP	NUMBER	TERM	TT	WDM	REF	NUMBER	TERM	TT	EMC/ SEP	FT	NOTES	EFFECTIVITY
874Z			D02261	DED		31-51-11		SM00049	REF	W	N2	1		
875	24	PV	D02261	63		31-51-12		SM00056			N2			
875Z			D02261	DED		31-51-12		SM00056	REF	W	N2	1		
876	24	PK	D02261	65		31-51-11		SM00022			N2			
877	24	PV	D00811	14		31-51-11		SM00018		W	N2	2		
877Z			D00811	DED		31-51-11		SM00018	REF	W	N2			
878	24	PV	D00811	48		31-51-11		SM00047		W	N2	2		
878Z			D00811	DED		31-51-11		SM00047	REF	W	N2			
879	24	PV	D00811	23		31-51-11		SM00049		W	N2	2		
879Z			D00811	DED		31-51-11		SM00049	REF	W	N2			
880	24	PV	D00813	14		31-51-12		SM00054		W	N2	2		
880Z			D00813	DED		31-51-12		SM00054	REF	W	N2			
881	24	PV	D00813	48		31-51-12		SM00055		W	N2	2		
881Z			D00813	DED		31-51-12		SM00055	REF	W	N2			
882	24	PV	D00813	23		31-51-12		SM00056		W	N2	2		
882Z			D00813	DED		31-51-12		SM00056	REF	W	N2			
883	22	PA	D02261	15		38-32-11		D04349J	26		N2	2		
884	22	PA	D02261	47		38-32-11		D04347J	27		N2	2		
885	24	PK	D04303J	9		31-51-21		SM00057		W	N2	1		
886	24	PK	D04507J	3		31-51-21		SM00058		W	N2	1		
887	24	PK	D04507J	1		31-51-21		SM00058		W	N2	1		
888	24	PK	SM00057		W	31-51-21		D04349J	44		N2	1		

286T0045-325
Wire Bundle Assembly
Figure 123 (Sheet 20)

25-71-02

WIRE			FROM EQUIPMENT			TO EQUIPMENT			WIRE INFO				
NUMBER	GA	TYP	NUMBER	TERM	TT	WDM REF	NUMBER	TERM	TT	EMC/ SEP	FT	NOTES	EFFECTIVITY
FRA			M01103			31-51-12	M01103	GND	D	N2			
FRB			D00813			31-51-12	D00813	59		N2			
FRC			M01102			31-51-11	M01102	GND	D	N2			
FRD			D00811			31-51-11	D00811	59		N2			
FRG			D04349J	58		31-41-35	D04349J			N2			
FRH			D04349J	61		28-41-11	D04349J			N2			
PA1			D00815	47		99-99-99	D00815	63		N2		DAW-B2	
PA2			D00817	8		99-99-99	D00817	57		N2		DAW-B2	
PA3			D00819	41		99-99-99	D00819	55		N2		DAW-B2	
PA4			D00821	43		99-99-99	D00821	60		N2		DAW-B2	
PA5			D00823	52		99-99-99	D00823	65		N2		DAW-B2	
PA6			D01433	44		99-99-99	D01433	61		N2		DAW-B2	
PA7			D01381	52		99-99-99	D01381	65		N2		DAW-B2	
PA8			D01487	8		99-99-99	D01487	57		N2		DAW-B2	
PA9			D01489	56		99-99-99	D01489	65		N2		DAW-B2	
PB1			D01739	7		99-99-99	D01739	62		N2		DAW-B2	
PB2			D01741	7		99-99-99	D01741	62		N2		DAW-B2	
PB4			D02261	54		99-99-99	D02261	61		N2		DAW-B2	
P01		SE	D11553							N2			
1	22	PA	D00811	60		31-51-11	GDX0001	S.	2	N2	3	UAE-F2	
2	22	PA	D00821	14		31-51-11	GDX0002	D.	2	N2	2		
3	24	PV	SM00068		W	31-51-11	D00821	27		N2	1		
003Z			SM00068	REF		31-51-11	D00821			N2			
4	24	PV	SM00069		W	31-51-11	D00821	32		N2	1		
004Z			SM00069	REF		31-51-11	D00821			N2			
5	24	PV	D00811	35		31-51-11	D00821	17		N2	3		
005Z			D00811	DED		31-51-11	D00821			N2			
6	24	PK	SM00022		W	31-51-11	D00821	51		N2	1		
7	24	PK	D00811	65		31-51-11	SM00022		W	N2	2		
8	24	PK	D00819	37		31-51-11	SM00022		W	N2	1		
9	24	PV	D00819	27		31-51-11	D00811	13		N2	3		
009Z			D00811	DED		31-51-11	D00819			N2			
01A	24	PK	D04349J	43		31-51-33	D01489	49		N2	2		

286T0045-327

Wire Bundle Assembly
Figure 124 (Sheet 1)

25-71-02

TESTING & TROUBLE SHOOTING
01 Page 164X
Nov 01/02



BOEING
COMPONENT
MAINTENANCE MANUAL

WIRE			FROM EQUIPMENT			TO EQUIPMENT			WIRE INFO				
NUMBER	GA	TYP	NUMBER	TERM	TT	WDM REF	NUMBER	TERM	TT	EMC/SEP	FT	NOTES	EFFECTIVITY
10	22	PA	D00819	14		31-51-11	GDX0001	D..	2	N2	2		
11	24	PK	D01433	51		31-51-11	SM00022		W	N2	1		
12	24	PV	SM00018	REF	W	31-51-11	D01433	27		N2	1		
012Z			SM00018	REF		31-51-11	D01433			N2			
13	24	FV	SM00047	REF	W	31-51-11	D01433	32		N2	1		
013Z			SM00047	REF		31-51-11	D01433			N2			
14	24	FV	SM00049	REF	W	31-51-11	D01433	17		N2	1		
014Z			SM00049	REF		31-51-11	D01433			N2			
15	22	PA	D01433	14		31-51-11	GDX0001	D..	2	N2	2		
16	20	PA	SM00028		W	31-51-11	GDX0005	D..	2	N2	2		
17	20	UA	GDX0002	S..	2	31-51-11	D00821			N2	2		
18	20	UA	GDX0005	S..	2	31-51-11	D00819			N2	2		
19	20	UA	D01433			31-51-11	GDX0002	S..	2	N2	2		
20	20	PA	GDX0005	D..	2	31-51-11	SM00029		W	N2	2		
21	20	UA	GDX0002	S..	2	31-51-11	D01503			N2	2		
23	20	UA	D00815			31-51-11	GDX0002	S..	2	N2	2		
24	24	PK	D04349J	38		31-51-11	SM00005		W	N2	1		
25	24	PK	D01503	A2		31-51-11	SM00005		W	N2	1		
26	20	PA	D01503	A3		31-51-11	GDX0003	D..	2	N2	2		
27	22	PQ	D01503	X2		31-51-11	D00811	75		N2	4		
027Z			D00811	DED		31-51-11	D01503			N2			
28	24	PV	D01503	X1		31-51-11	SM00015		W	N2	1		
028Z			SM00015	REF		31-51-11	D01503			N2			
29	24	FV	D00811	46		31-51-11	SM00015		W	N2	2		
029Z			SM00015	REF		31-51-11	D00811	DED		N2			
30	24	PK	SM00015		W	31-51-11	D11553	35		N2	1		
32	20	PA	D11553	11		31-51-11	GDX0003	D..	2	N2	2		
33	24	PK	D11553	37		31-51-11	D00811	34		N2	4		
34	24	PK	D11553	36		31-51-11	D00811	33		N2	4		
35	22	PA	D00815	14		31-51-11	GDX0001	D..	2	N2	2		
36	24	FV	D00815	27		31-51-11	D00811	12		N2	3		
036Z			D00811	DED		31-51-11	D00815			N2			
37	24	FV	D00815	32		31-51-11	D00811	17		N2	3		

286T0045-327
Wire Bundle Assembly
Figure 124 (Sheet 2)

25-71-02

WIRE			FROM EQUIPMENT			TO EQUIPMENT			WIRE INFO				
NUMBER	GA	TYP	NUMBER	TERM	TT	WDM REF	NUMBER	TERM	TT	EMC/ SEP	FT	NOTES	EFFECTIVITY
037Z			D00811	DED		31-51-11	D00815			N2			
38	24	PV	D00815	17		31-51-11	D00811	22		N2	3		
038Z			D00811	DED		31-51-11	D00815			N2			
39	24	PK	D00815	54		31-51-11	SM00020		W	N2	1		
40	24	PK	D00811	63		31-51-11	SM00020		W	N2	2		
41	24	PK	D00823	35		31-51-11	SM00020		W	N2	1		
42	24	PK	D01381	35		31-51-11	SM00020		W	N2	1		
45	22	PA	D01381	14		31-51-11	GDX0001	D.	2	N2	2		
46	22	PA	D01381	48		31-51-11	GDX0003	D.	2	N2	2		
47	24	PV	D01381	27		31-51-11	D00811	11		N2	3		
047Z			D00811	DED		31-51-11	D01381			N2			
48	24	PV	D01381	32		31-51-11	D00811	16		N2	3		
048Z			D00811	DED		31-51-11	D01381			N2			
49	24	PV	D01381	17		31-51-11	D00811	21		N2	3		
049Z			D00811	DED		31-51-11	D01381			N2			
52	22	PA	D00823	14		31-51-11	GDX0001	D.	2	N2	2		
53	22	PA	D00823	48		31-51-11	GDX0003	D.	2	N2	2		
54	24	PV	D00823	27		31-51-11	D00811	10		N2	3		
054Z			D00811	DED		31-51-11	D00823			N2			
55	24	PV	D00823	32		31-51-11	D00811	15		N2	3		
055Z			D00811	DED		31-51-11	D00823			N2			
56	24	PV	D00823	17		31-51-11	D00811	20		N2	3		
056Z			D00811	DED		31-51-11	D00823			N2			
57	22	PA	D00817	14		31-51-11	GDX0002	D.	2	N2	2		
58	24	PV	D00817	27		31-51-11	D00811	51		N2	3		
058Z			D00811	DED		31-51-11	D00817			N2			
59	24	PV	D00817	32		31-51-11	D00811	74		N2	3		
059Z			D00811	DED		31-51-11	D00817			N2			
60	24	PK	D00817	45		31-51-11	SM00021		W	N2	1		
61	24	PK	D00811	64		31-51-11	SM00021		W	N2	2		
62	24	PK	D01489	16		31-51-11	SM00021		W	N2	1		
63	24	PK	D01487	45		31-51-11	SM00021		W	N2	1		
64	24	PV	D01487	27		31-51-11	D00811	47		N2	3		

286T0045-327
Wire Bundle Assembly
Figure 124 (Sheet 3)

25-71-02



BOEING
COMPONENT
MAINTENANCE MANUAL

WIRE			FROM EQUIPMENT			TO EQUIPMENT			WIRE INFO				
NUMBER	GA	TYP	NUMBER	TERM	TT	WDM REF	NUMBER	TERM	TT	EMC/SEP	FT	NOTES	EFFECTIVITY
064Z			D00811	DED		31-51-11	D01487			N2			
65	24	PV	D01487	32		31-51-11	D00811	70		N2	3		
065Z			D00811	DED		31-51-11	D01487			N2			
66	22	PA	D01487	14		31-51-11	GDX0003	D.	2	N2	2		
67	24	PV	D01489	27		31-51-11	D00811	45		N2	3		
067Z			D00811	DED		31-51-11	D01489			N2			
68	24	PV	D01489	32		31-51-11	D00811	50		N2	3		
068Z			D00811	DED		31-51-11	D01489			N2			
69	24	PV	D01489	17		31-51-11	D00811	36		N2	3		
069Z			D00811	DED		31-51-11	D01489			N2			
70	22	PA	D01489	14		31-51-11	GDX0003	D.	2	N2	2		
71	20	UA	D01381			31-51-11	GDX0002	S.	2	N2	2		
72	20	UA	D00823			31-51-11	GDX0002	S.	2	N2	2		
73	20	UA	D00817			31-51-11	GDX0002	S.	2	N2	2		
74	20	PA	SM00026		W	31-51-11	GDX0005	D.	2	N2	2		
75	20	UA	D01487			31-51-11	GDX0005	S.	2	N2	2		
76	20	UA	GDX0005	S..	2	31-51-11	D01489			N2	2		
77	24	PK	D02261	40		31-41-35	D04349J	1		N2	2		
78	20	PA	SM00027		W	31-51-11	GDX0005	D.	2	N2	2		
79	22	PA	D00813	60		31-51-12	GDX0003	S.	2	N2	3		
80	22	PA	D00821	15		31-51-12	GDX0002	D.	2	N2	2		
81	24	PV	D00821	30		31-51-12	SM00073	REF	W	N2	1		
081Z			D00821	33		31-51-12	SM00073	REF	W	N2	1		
82	24	PV	D00821			31-51-12	SM00074	REF	W	N2	1		
082Z			D00821			31-51-12	SM00074	REF	W	N2	1		
83	24	PV	D00821	24		31-51-12	D00813	35		N2	3		
083Z			D00813	DED		31-51-12	D00821			N2			
84	24	PK	D00821	19		31-51-12	SM00025		W	N2	1		
85	24	PK	D00813	65		31-51-12	SM00025		W	N2	2		
86	24	PK	D00819	3		31-51-12	SM00025		W	N2	1		
87	24	PK	D01433	18		31-51-12	SM00025		W	N2	1		
88	22	PA	D01433	15		31-51-12	GDX0002	D.	2	N2	2		
89	24	PV	D01433	30		31-51-12	SM00054		W	N2	1		

286T0045-327
Wire Bundle Assembly
Figure 124 (Sheet 4)

25-71-02

WIRE			FROM EQUIPMENT			TO EQUIPMENT			WIRE INFO				
NUMBER	GA	TYP	NUMBER	TERM	TT	WDM REF	NUMBER	TERM	TT	EMC/SEP	FT	NOTES	EFFECTIVITY
089Z			SM00054	REF		31-51-12	D01433			N2			
90	24	PV	D01433	33		31-51-12	SM00055		W	N2	1		
090Z			SM00055	REF		31-51-12	D01433			N2			
91	24	PV	D01433	24		31-51-12	SM00056		W	N2	1		
091Z			SM00056	REF		31-51-12	D01433			N2			
92	22	PA	D00819	15		31-51-12	GDX0002	D.	2	N2	2		
93	24	PV	D00819	30		31-51-12	D00813	13		N2	3		
093Z			D00813	DED		31-51-12	D00819			N2			
94	20	PA	SM00032		W	31-51-12	GDX0005	D.	2	N2			
95	24	PV	D01505	X2		31-51-12	D00813	75		N2	3		
095Z			D00813	DED		31-51-12	D01505			N2			
96	24	PV	D01505	X1		31-51-12	SM00016		W	N2	1		
096Z			SM00016	REF		31-51-12	D01505			N2			
97	24	PV	D00813	46		31-51-12	SM00016		W	N2	2		
097Z			SM00016	REF		31-51-12	D00813	DED		N2			
98	20	PA	SM00033		W	31-51-12	GDX0005	D.	2	N2			
99	24	PK	SM00016		W	31-51-12	D11553	25		N2	1		
10A	24	PK	D01489	21		31-51-33	D04349J	23		N2	2		
100	20	PA	D11553	1		31-51-12	GDX0003	D.	2	N2	2		
101	20	UA	D00821			31-51-12	GDX0004	S.	2	N2	2		
102	20	UA	D00819			31-51-12	GDX0004	S.	2	N2	2		
103	20	UA	D01433			31-51-12	GDX0004	S.	2	N2	2		
104	20	UA	D01505			31-51-12	GDX0005	S.	2	N2	2		
106	20	UA	D00815			31-51-12	GDX0004	S.	2	N2	2		
107	20	UA	D01381			31-51-12	GDX0004	S.	2	N2	2		
109	20	UA	D00817			31-51-12	GDX0004	S.	2	N2	2		
110	20	UA	D01487			31-51-12	GDX0001	S.	2	N2	2		
111	20	UA	D01489			31-51-12	GDX0001	S.	2	N2	2		
112	22	PA	D00815	15		31-51-12	GDX0001	D.	2	N2	2		
113	24	PK	D01505	A2		31-51-12	SM00005		W	N2	1		
114	20	PA	D01505	A3		31-51-12	GDX0003	D.	2	N2	2		
115	24	PK	D02261	21		21-61-51	D04347J	25		N2	2		
116	24	PK	D00815	21		31-51-12	SM00023		W	N2	1		

286T0045-327
Wire Bundle Assembly
Figure 124 (Sheet 5)

25-71-02



BOEING
COMPONENT
MAINTENANCE MANUAL

WIRE			FROM EQUIPMENT			TO EQUIPMENT			WIRE INFO				
NUMBER	GA	TYP	NUMBER	TERM	TT	WDM REF	NUMBER	TERM	TT	EMC/SEP	FT	NOTES	EFFECTIVITY
117	24	PK	D00813	63		31-51-12	SM00023		W	N2	2		
118	24	PK	D00823	1		31-51-12	SM00023		W	N2	1		
119	24	PK	D01381	1		31-51-12	SM00023		W	N2	1		
120	22	PA	D01381	15		31-51-12	GDX0001	D.	2	N2	2		
121	24	PK	D00817	56		31-51-12	SM00024		W	N2	1		
122	24	PK	D00813	64		31-51-12	SM00024		W	N2	2		
123	24	PK	D01487	56		31-51-12	SM00024		W	N2	1		
124	22	PA	D00823	15		31-51-12	GDX0001	D.	2	N2	2		
125	20	UA	D00823	33		31-51-12	GDX0004	S.	2	N2	2		
126	24	PV	D00823	33		31-51-12	D00813	15	N2	N2	3		
126Z			D00823			31-51-12	D00813	DED		N2			
127	24	PV	D00823	24		31-51-12	D00813	20	N2	N2	3		
127Z			D00823			31-51-12	D00813	DED		N2			
128	22	PA	D00817	15		31-51-12	GDX0002	D.	2	N2	2		
129	24	PV	D00817	30		31-51-12	D00813	51	N2	N2	3		
129Z			D00817			31-51-12	D00813	DED		N2			
130	24	PV	D00817	33		31-51-12	D00813	74	N2	N2	3		
130Z			D00817			31-51-12	D00813	DED		N2			
131	24	PV	D00813	11		31-51-12	D01381	30	N2	N2	3		
131Z			D01381			31-51-12	D00813	DED		N2			
132	24	PV	D00813	16		31-51-12	D01381	33	N2	N2	3		
132Z			D01381			31-51-12	D00813	DED		N2			
133	24	PV	D01381	24		31-51-12	D00813	21	N2	N2	3		
133Z			D01381			31-51-12	D00813	DED		N2			
134	24	PK	D01489	50		31-51-12	SM00024		W	N2	1		
135	24	PV	D01487	30		31-51-12	D00813	47	N2	N2	3		
135Z			D01487			31-51-12	D00813	DED		N2			
136	24	PV	D01487	33		31-51-12	D00813	70	N2	N2	3		
136Z			D01487			31-51-12	D00813	DED		N2			
137	22	PA	D01487	15		31-51-12	GDX0003	D.	2	N2	2		
138	24	PV	D01489	30		31-51-12	D00813	45	N2	N2	3		
138Z			D01489			31-51-12	D00813	DED		N2			
139	24	PV	D01489	33		31-51-12	D00813	50	N2	N2	3		

286T0045-327
Wire Bundle Assembly
Figure 124 (Sheet 6)

25-71-02

WIRE			FROM EQUIPMENT			TO EQUIPMENT			WIRE INFO				
NUMBER	GA	TYP	NUMBER	TERM	TT	WDM REF	NUMBER	TERM	TT	ENC/ SEP	FT	NOTES	EFFECTIVITY
139Z			D01489			31-51-12	D00813	DED		N2			
140	24	PV	D01489	24		31-51-12	D00813	36		N2	3		
140Z			D01489			31-51-12	D00813	DED		N2			
141	22	PA	D01489	15		31-51-12	GDX0003	D..	2	N2	2		
142	24	PK	D00813	33		31-51-12	D11553	26		N2	3		
143	24	PK	D11553	27		31-51-12	D00813	34		N2	3		
144	24	PV	D00813	12		31-51-12	D00815	30		N2	3		
144Z			D00813	DED		31-51-12	D00815			N2			
145	20	PA	SM00030		W	31-51-12	GDX0005	D..	2	N2			
146	24	PV	D00813	17		31-51-12	D00815	33		N2	3		
146Z			D00813	DED		31-51-12	D00815			N2			
147	24	PV	D00813	22		31-51-12	D00815	24		N2	3		
147Z			D00813	DED		31-51-12	D00815			N2			
148	24	PV	D00813	10		31-51-12	D00823	30		N2	3		
148Z			D00813	DED		31-51-12	D00823			N2			
149	20	PA	SM00031		W	31-51-12	GDX0005	D..	2	N2			
150	22	PA	D04301J	6		27-32-11	D00823	34		N2	2		
151	24	PK	D04509J	1		27-32-11	D00823	39		N2	2		
152	24	PK	D04347J	26		27-32-11	D00823	40		N2	2		
153	24	PK	D00823	31		27-32-11	D04509J	6		N2	2		
154	20	PA	D04509J	7		27-32-11	GDX0001	D..	2	N2	2		
155	24	PK	SM00037		W	27-32-11	D04511J	3		N2	1		
156	24	PK	D00823	38		27-32-11	D04511J	2		N2	2		
157	24	PK	D04511J	4		27-32-11	SM00050		W	N2	1		
158	24	PK	SM00037		W	27-32-11	D00823	4		N2	1		
159	24	PK	D04349J	14		27-32-11	D00823	36		N2	1		
160	24	PK	D04349J	15		27-32-11	D00823	3		N2	1		
161	24	PK	D04349J	16		27-32-11	D00823	43		N2	1		
162	24	PK	D04349J	10		27-32-11	D00823	2		N2	1		
165	22	PA	D04349J	11		27-32-21	D01381	34		N2	2		
166	24	PK	D01381	40		27-32-21	D04349J	6		N2	2		
167	24	PK	D01381	31		27-32-21	D04511J	7		N2	2		
168	20	PA	GDX0002	D..	2	27-32-21	D04511J	8		N2	2		

286T0045-327
Wire Bundle Assembly
Figure 124 (Sheet 7)

25-71-02



BOEING
COMPONENT
MAINTENANCE MANUAL

WIRE			FROM EQUIPMENT				TO EQUIPMENT				WIRE INFO			
NUMBER	GA	TYP	NUMBER	TERM	TT	WDM REF	NUMBER	TERM	TT	EMC/SEP	FT	NOTES	EFFECTIVITY	
169	24	PK	D04349J	34		27-32-21	D01381	36		N2	2			
170	24	PK	D04349J	35		27-32-21	D01381	3		N2	2			
171	24	PK	D04349J	36		27-32-21	D01381	43		N2	2			
172	24	PK	D04349J	37		27-32-21	D01381	2		N2	2			
173	24	PK	D04511J	13		27-32-21	D01381	4		N2	2			
174	24	PK	D04511J	16		27-32-21	D01381	37		N2	2			
175	24	PK	D04511J	15		27-32-21	D01381	38		N2	2			
176	24	PK	D04509J	8		27-32-21	D01381	39		N2	2			
177	24	PK	D00815	34		31-51-21	SM00057		W	N2	1			
178	24	PK	D00815	43		31-51-21	D01433	19		N2	2			
179	24	PK	D00815	10		31-51-21	D00819	5		N2	2			
180	24	PK	D04507J	5		31-51-21	SM00034		W	N2	1			
181	24	PK	SM00058		W	31-51-21	D00815	66		N2	1			
182	24	PK	D00815	4		31-51-21	SM00034		W	N2	1			
183	24	PK	D00815	11		31-51-21	D04349J	39		N2	2			
184	22	PA	D00815	37		31-51-21	SM00035		W	N2	1			
185	22	PA	D00815	42		31-51-21	SM00036		W	N2	1			
186	24	PK	D04349J	5		31-51-21	SM00012		W	N2	1			
187	24	PK	D00815	2		31-51-21	SM00012		W	N2	1			
188	24	PK	SM00011		W	31-51-21	D04349J	4		N2	1			
189	24	PK	SM00011		W	31-51-21	D00815	35		N2	1			
190	24	PK	D04349J	12		31-51-21	SM00009		W	N2	1			
191	24	PK	D00815	44		31-51-21	SM00009		W	N2	1			
192	24	PK	D04347J	10		31-51-21	SM00008		W	N2	1			
193	24	PK	D00815	1		31-51-21	SM00008		W	N2	1			
194	24	PK	D04347J	11		31-51-21	SM00010		W	N2	1			
195	24	PK	D00815	36		31-51-21	SM00010		W	N2	1			
196	24	PK	SM00039			31-51-21	D04347J	21		N2	1			
197	24	PK	D00815	45		31-51-21	SM00039		W	N2	1			
198	24	PK	D00815	46		31-51-21	D04347J	6		N2	2			
199	20	PA	GDX0004	S..	2	31-51-31	D04597J	14		N2	2			
201B	24	PW	D01489	43		31-51-33	SM00004		W	N2	1			
201R	24	PW	D01489	9		31-51-33	SM00003		W	N2	1			

286T0045-327
Wire Bundle Assembly
Figure 124 (Sheet 8)

25-71-02

WIRE			FROM EQUIPMENT			TO EQUIPMENT			WIRE INFO				
NUMBER	GA	TYP	NUMBER	TERM	TT	WDM REF	NUMBER	TERM	TT	EMC/SEP	FT	NOTES	EFFECTIVITY
201Z			D01489	DED		31-51-33	SM00003	REF		N2			
204	20	UA	D04507J			27-32-11	GDX0004	S.	2	N2	2		
204B	24	PW	D00823	18		27-32-11	D04507J	12		N2	1		
204R	24	PW	D00823	16		27-32-11	D04507J	11		N2			
204Z			D04507J			27-32-11	D00823	DED		N2			
205B	24	PW	D00815	19		31-51-21	SM00007		W	N2	1		
205R	24	PW	D00815	52		31-51-21	SM00006		W	N2			
205Z			D00815	DED		31-51-21	SM00006	REF		N2			
207	20	UA	D04597J			31-51-21	GDX0004	S.	2	N2	2		
207B	24	PW	SM00007		W	31-51-21	D04597J	4		N2	1		
207R	24	PW	SM00006		W	31-51-21	D04597J	3		N2			
207Z			SM00006			31-51-21	D04597J			N2			
208	20	UA	D04301J		REF	34-16-11	GDX0002	S.	2	N2	2		
208B	24	PW	D00821	36		34-16-11	D04301J	9		N2	2		
208R	24	PW	D00821	2		34-16-11	D04301J	8		N2			
208Z			D00821	DED		34-16-11	D04301J			N2			
209B	24	PW	D01489	46		31-51-33	SM00007		W	N2	1		
209R	24	PW	D01489	12		31-51-33	SM00006		W	N2			
209Z			D01489	DED		31-51-33	SM00006	REF		N2			
212B	24	PW	D01433	36		31-51-42	SM00007		W	N2	1		
212R	24	PW	D01433	2		31-51-42	SM00006		W	N2			
212Z			D01433	DED		31-51-42	SM00006	REF		N2			
213	20	UA	D04507J			34-16-11	GDX0004	S.	2	N2	2		
213B	24	PW	D00821	35		34-16-11	D04507J	8		N2	2		
213R	24	PW	D00821	1		34-16-11	D04507J	9		N2			
213Z			D00821	DED		34-16-11	D04507J			N2			
214	20	UA	D04349J			34-16-11	GDX0004	S.	2	N2	2		
214B	24	PW	D00821	37		34-16-11	D04349J	19		N2	2		
214R	24	PW	D00821	3		34-16-11	D04349J	18		N2			
214Z			D00821	DED		34-16-11	D04349J			N2			
215B	24	PL	D01487	24		31-51-31	D04597J	12		N2	2		
215R	24	PL	D01487	23		31-51-31	D04597J	13		N2			
216B	24	PL	D00817	24		31-51-32	D04303J	12		N2	2		

286T0045-327
Wire Bundle Assembly
Figure 124 (Sheet 9)

25-71-02



BOEING
COMPONENT
MAINTENANCE MANUAL

WIRE			FROM EQUIPMENT			TO EQUIPMENT			WIRE INFO				
NUMBER	GA	TYP	NUMBER	TERM	TT	WDM REF	NUMBER	TERM	TT	EMC/SEP	FT	NOTES	EFFECTIVITY
216R	24	PL	D00817	23		31-51-32	D04303J	11		N2			
221B	24	PW	D01489	45		31-51-33	SM00004		W	N2	1		
221R	24	PW	D01489	11		31-51-33	SM00003		W	N2			
221Z	24	PW	D01489	DED		31-51-33	SM00003	REF		N2			
223B	24	PW	D00821	38		34-16-11	SM00004		W	N2	1		
223R	24	PW	D00821	4		34-16-11	SM00003		W	N2			
223Z	24	PW	D00821	DED		34-16-11	SM00003	REF		N2			
224	20	UA	D04349J			27-32-21	GDX0004	S.	2	N2	2		
224B	24	PW	D04349J	28		27-32-21	D01381	18		N2	2		
224R	24	PW	D04349J	27		27-32-21	D01381	16		N2			
224Z	24	PW	D04349J			27-32-21	D01381	DED		N2			
225B	22	PR	D00811	69		31-51-11	SM00060		W	N2	2		
225R	22	PR	D00811	68		31-51-11	SM00060		W	N2			
225Z	22	PR	D00811	DED		31-51-11	SM00028	REF		N2			
226B	22	PR	D00813	69		31-51-12	SM00061		W	N2	2		
226R	22	PR	D00813	68		31-51-12	SM00061		W	N2			
226Z	22	PR	D00813	DED		31-51-12	SM00030	REF		N2			
230	20	UA	D04347J			31-51-33	GDX0003	S.	2	N2	2		
230B	24	PW	D04347J	18		31-51-33	SM00004		W	N2	1		
230R	24	PW	D04347J	17		31-51-33	SM00003		W	N2			
230Z	24	PW	D04347J			31-51-33	SM00003	REF		N2			
236	20	UA	D04347J			27-32-11	GDX0001	S.	2	N2	2		
236B	24	PW	D04347J	37		27-32-11	D00823	54		N2	2		
236R	24	PW	D04347J	36		27-32-11	D00823	23		N2			
236Z	24	PW	D04347J			27-32-11	D00823	DED		N2			
237B	24	PW	D04347J	40		27-32-11	D00823	13		N2	2		
237R	24	PW	D04347J	39		27-32-11	D00823	12		N2			
237Z	24	PW	D04347J			27-32-11	D00823	DED		N2			
238	20	UA	D04349J			27-32-21	GDX0001	S.	2	N2	2		
238B	24	PW	D04349J	49		27-32-21	D01381	54		N2	2		
238R	24	PW	D04349J	48		27-32-21	D01381	23		N2			
238Z	24	PW	D04349J			27-32-21	D01381	DED		N2			
239B	24	PW	D01381	20		27-32-21	D04349J	55		N2	2		

286T0045-327
Wire Bundle Assembly
Figure 124 (Sheet 10)

25-71-02

WIRE			FROM EQUIPMENT			TO EQUIPMENT			WIRE INFO				
NUMBER	GA	TYP	NUMBER	TERM	TT	WDM REF	NUMBER	TERM	TT	EMC / SEP	FT	NOTES	EFFECTIVITY
239R	24	PW	D01381	19		27-32-21	D04349J	54		N2			
239Z			D01381	DED		27-32-21	D04349J			N2			
240B	24	PL	D04347J	23		31-51-31	SM00080		W	N2	1		
240R	24	PL	D04347J	22		31-51-31	SM00042		W	N2	1		
241B	24	PL	D01487	60		31-51-31	SM00080		W	N2			
241R	24	PL	D01487	28		31-51-31	SM00042		W	N2			
242B	24	PL	D00817	60		31-51-32	SM00080		W	N2	1		
242R	24	PL	D00817	28		31-51-32	SM00042		W	N2			
243B	24	PW	D04349J	52		27-32-21	D01381	13		N2	2		
243R	24	PW	D04349J	51		27-32-21	D01381	12		N2			
243Z			D04349J			27-32-21	D01381	DED		N2			
245B	24	PW	D00823	20		27-32-11	D04347J	48		N2	2		
245R	24	PW	D00823	19		27-32-11	D04347J	47		N2			
245Z			D00823	DED		27-32-11	D04347J			N2			
247	20	UA	D04349J			31-41-35	GDX0006	S.	2	N2	2		
247B	24	PW	D02261	42		31-41-35	D04349J	57		N2	2		
247R	24	PW	D02261	43		31-41-35	D04349J	56		N2			
247Z			D02261	DED		31-41-35	D04349J			N2			
248	20	UA	D04349J			28-41-11	GDX0006	S.	2	N2	2		
248B	24	PW	D02261	5		28-41-11	D04349J	60		N2	2		
248R	24	PW	D02261	8		28-41-11	D04349J	59		N2			
248Z			D02261	DED		28-41-11	D04349J			N2			
271B	24	PL	D04597J	5		31-51-31	SM00088		W	N2	1		
271R	24	PL	D04597J	2		31-51-31	SM00087		W	N2			
272B	24	PL	D01487	63		31-51-31	SM00088		W	N2	1		
272R	24	PL	D01487	62		31-51-31	SM00087		W	N2			
273B	24	PL	D00817	63		31-51-32	SM00088		W	N2	1		
273R	24	PL	D00817	62		31-51-32	SM00087		W	N2			
290B	24	PW	D04597J	8		34-43-15	SM00104		W	N2	1		
290R	24	PW	D04597J	7		34-43-15	SM00103	REF	W	N2			
290Z			D04597J	9		34-43-15	SM00103		W	N2			
291B	24	PW	D04303J	5		34-43-15	SM00104		W	N2	1		
291R	24	PW	D04303J	4		34-43-15	SM00103		W	N2			

286T0045-327
Wire Bundle Assembly
Figure 124 (Sheet 11)

25-71-02



BOEING
COMPONENT
MAINTENANCE MANUAL

WIRE			FROM EQUIPMENT			TO EQUIPMENT			WIRE INFO				
NUMBER	GA	TYP	NUMBER	TERM	TT	WDM REF	NUMBER	TERM	TT	EMC/SEP	FT	NOTES	EFFECTIVITY
291Z			D04303J	6		34-43-15	SM00103	REF		N2			
292B	24	PW	D04347J	53		34-43-15	SM00104		W	N2	1		
292R	24	PW	D04347J	51		34-43-15	SM00103		W	N2			
292Z			D04347J	61		34-43-15	SM00103	REF		N2			
301	20	UA	SM00028	REF		31-51-11	GDX0005	S.	2	N2	1		
301B	22	PS	D00811	57		31-51-11	SM00028		W	N2	2		
301R	22	PS	D00811	38		31-51-11	SM00028		W	N2			
301Y	22	PS	D00811	58		31-51-11	SM00028		W	N2			
301Z			D00811	DED		31-51-11	SM00028	REF		N2			
302B	22	PS	D00811	42		31-51-11	SM00029		W	N2	2		
302R	22	PS	D00811	41		31-51-11	SM00029		W	N2			
302Y	22	PS	D00811	43		31-51-11	SM00029		W	N2			
302Z			D00811	DED		31-51-11	SM00028	REF		N2			
303B	22	PS	D00811	8		31-51-11	SM00026		W	N2	2		
303R	22	PS	D00811	7		31-51-11	SM00026		W	N2			
303Y	22	PS	D00811	9		31-51-11	SM00026		W	N2			
303Z			D00811	DED		31-51-11	SM00028	REF		N2			
304B	22	PS	D00811	25		31-51-11	SM00027		W	N2	2		
304R	22	PS	D00811	24		31-51-11	SM00027		W	N2			
304Y	22	PS	D00811	37		31-51-11	SM00027		W	N2			
304Z			D00811	DED		31-51-11	SM00028	REF		N2			
305	20	UA	SM00030	REF		31-51-12	GDX0005	S.	2	N2	1		
305B	22	PS	D00813	8		31-51-12	SM00030		W	N2	2		
305R	22	PS	D00813	7		31-51-12	SM00030		W	N2			
305Y	22	PS	D00813	9		31-51-12	SM00030		W	N2			
305Z			D00813	DED		31-51-12	SM00030	REF		N2			
306B	22	PS	D00813	25		31-51-12	SM00031		W	N2	2		
306R	22	PS	D00813	24		31-51-12	SM00031		W	N2			
306Y	22	PS	D00813	37		31-51-12	SM00031		W	N2			
306Z			D00813	DED		31-51-12	SM00030	REF		N2			
307B	22	PS	D00813	57		31-51-12	SM00032		W	N2	2		
307R	22	PS	D00813	38		31-51-12	SM00032		W	N2			
307Y	22	PS	D00813	58		31-51-12	SM00032		W	N2			

286T0045-327
Wire Bundle Assembly
Figure 124 (Sheet 12)

25-71-02

TESTING & TROUBLE SHOOTING

01

Page 166G

Nov 01/02

WIRE			FROM EQUIPMENT				TO EQUIPMENT				WIRE INFO			
NUMBER	GA	TYP	NUMBER	TERF	TT	WDM REF	NUMBER	TERF	TT	EMC/SEP	FT	NOTES	EFFECTIVITY	
307Z			D00813	DED		31-51-12	SM00030	REF		N2	2			
308B	22	PS	D00813	42		31-51-12	SM00033		W	N2				
308R	22	PS	D00813	41		31-51-12	SM00033		W	N2				
308Y	22	PS	D00813	43		31-51-12	SM00033		W	N2				
308Z			D00813	DED		31-51-12	SM00030	REF		N2				
512	24	PK	D02261	20		27-81-31	D04349J	8		N2	2			
601	20	PA	SM00060		W	31-51-11	GDX0004	D..	2	N2				
602	20	PA	SM00061		W	31-51-12	GDX0005	D..	2	N2				
603	24	PV	D04301J	5		31-51-12	M01103	INE	D	N2	1			
603Z			D04301J	DED		31-51-12	M01103			N2				
604	24	PV	D04301J	4		31-51-12	D00813	4		N2	3			
604Z			D04301J	DED		31-51-12	D00813			N2				
605	24	PV	D00813	1		31-51-12	M01103	OAD	D	N2	3			
605Z			D00813			31-51-12	M01103	DED		N2				
606	24	PV	D04349J	32		31-51-11	M01102	INE	D	N2	1			
606Z			D04349J	DED		31-51-11	M01102			N2				
607	24	PV	D04349J	33		31-51-11	D00811	4		N2	3			
607Z			D04349J	DED		31-51-11	D00811			N2				
608	24	PV	D00811	1		31-51-11	M01102	OAD	D	N2	3			
608Z			D00811			31-51-11	M01102	DED		N2				
610	24	PK	D00823	37		27-32-11	SM00050		W	N2	1			
611	24	PK	D01433	6		31-51-42	D04347J	20		N2	2			
612	24	PK	D01433	4		31-51-42	SM00050		W	N2	1			
613	24	PK	D04349J	30		31-51-31	SM00065		W	N2	1			
614	24	PK	D01487	52		31-51-31	SM00065		W	N2	1			
615	24	PK	D00817	52		31-51-32	SM00065		W	N2	1			
617	24	PK	D01381	11		27-32-12	D00823	56		N2	1			
618	24	PK	D01381	56		27-32-12	D00823	11		N2	1			
619	24	PK	D00823	45		27-32-12	SM00082		W	N2	1			
620	24	PK	D04349J	29		31-51-21	SM00071		W	N2	1			
621	24	PK	D00815	7		31-51-21	SM00071		W	N2	1			
622	24	PK	D01489	2		31-51-33	SM00071		W	N2	1			
623	24	PK	D01489	36		31-51-33	SM00038		W	N2	1			

286T0045-327
Wire Bundle Assembly
Figure 124 (Sheet 13)

25-71-02



BOEING
COMPONENT
MAINTENANCE MANUAL

WIRE			FROM EQUIPMENT			TO EQUIPMENT			WIRE INFO				
NUMBER	GA	TYP	NUMBER	TERM	TT	WDM REF	NUMBER	TERM	TT	EMC/SEP	FT	NOTES	EFFECTIVITY
624	24	PK	D00815	8		31-51-21	SM00045		W	N2	1		
625	24	PK	D01487	9		31-51-31	SM00034		W	N2	1		
631	24	PK	D00817	9		31-51-32	SM00034		W	N2	1		
644	22	PQ	D00823	66		27-32-31	D04347J	42		N2	2		
644Z			D00823	DED		27-32-31	D04347J	DED		N2			
646	22	PQ	D01381	66		27-32-31	D04349J	42		N2	2		
646Z			D01381	DED		27-32-31	D04349J	DED		N2			
652	24	PV	D00811	26		31-51-11	SM00068		W	N2	2		
652Z			D00811	DED		31-51-11	SM00068	REF		N2			
653	24	PV	D00811	49		31-51-11	SM00069		W	N2	2		
653Z			D00811	DED		31-51-11	SM00069	REF		N2			
654	24	PV	D01739	27		31-51-11	SM00068		W	N2	1		
654Z			D01739	DED		31-51-11	SM00068	REF		N2			
655	24	PV	D01739	32		31-51-11	SM00069		W	N2	1		
655Z			D01739	DED		31-51-11	SM00069	REF		N2			
656	24	PK	D01739	10		31-51-11	SM00022		W	N2	1		
657	22	PA	D01739	14		31-51-11	GDX0006	D.	2	N2	2		
658	24	PV	D01741	27		31-51-11	D00811	62		N2	3		
658Z			D01741	DED		31-51-11	D00811	DED		N2			
659	24	PV	D01741	32		31-51-11	D00811	76		N2	3		
659Z			D01741	DED		31-51-11	D00811	DED		N2			
660	20	UA	D01741			31-51-11	GDX0006	S.	2	N2	1		
661	24	PK	D01741	10		31-51-11	D00811	66		N2	3		
662	22	PA	D01741	14		31-51-11	GDX0006	D.	2	N2	1		
663	24	PV	D00813	26		31-51-12	SM00073		W	N2	2		
663Z			D00813	DED		31-51-12	SM00073	REF		N2			
664	24	PV	D00813	49		31-51-12	SM00074		W	N2	2		
664Z			D00813	DED		31-51-12	SM00074	REF		N2			
665	24	PV	D01739	30		31-51-12	SM00073		W	N2	1		
665Z			D01739	DED		31-51-12	SM00073	REF		N2			
666	24	PV	D01739	33		31-51-12	SM00074		W	N2	1		
666Z			D01739	DED		31-51-12	SM00074	REF		N2			
667	24	PK	D01739	9		31-51-12	SM00025		W	N2	1		

286T0045-327
Wire Bundle Assembly
Figure 124 (Sheet 14)

25-71-02

WIRE			FROM EQUIPMENT			TO EQUIPMENT			WIRE INFO				
NUMBER	GA	TYP	NUMBER	TERM	TT	WDM REF	NUMBER	TERM	TT	EMC/SEP	FT	NOTES	EFFECTIVITY
668	22	PA	D01739	15		31-51-12	GDX0006	D.	2	N2	2		
669	24	PV	D01741	30		31-51-12	D00813	62	2	N2	2		
669Z			D01741			31-51-12	D00813	DED		N2			
670	24	PV	D01741	33		31-51-12	D00813	76		N2	2		
670Z			D01741			31-51-12	D00813	DED		N2			
671	20	UA	D01741			31-51-12	GDX0006	S.	2	N2	1		
672	24	PK	D01741	9		31-51-12	D00813	66		N2	2		
673	22	PA	D01741	15		31-51-12	GDX0006	D.	2	N2	1		
674	24	PK	D01739	24		31-51-31	D01487	53		N2	2		
675	24	PK	D01741	24		31-51-32	D00817	53		N2	2		
676	24	PK	D01739	1		31-51-35	SM00036		W	N2	1		
677	24	PK	D01739	3		31-51-35	SM00035		W	N2	1		
679	24	PK	D01741	1		31-51-36	SM00036		W	N2	1		
680	24	PK	D01741	3		31-51-36	SM00035		W	N2	1		
681	24	PK	D01433	10		31-51-43	D04507J	10		N2	2		
682	24	PK	D01433	13		31-51-43	D04347J	46		N2	2		
683	22	PA	D01433	41		31-51-43	SM00081		W	N2	1		
684	20	PA	GDX0001	D.	2	31-51-43	D04349J	47		N2	2		
685	24	PK	D00823	58		27-32-12	D01505	A1		N2	2		
686	24	PK	D00823	8		27-32-11	SM00038		W	N2	1		
687	24	PK	D00823	64		27-32-11	SM00081		W	N2	1		
688	24	PK	D01381	58		27-32-22	D01503	A1		N2	2		
689	24	PK	D01381	45		27-32-22	SM00085		W	N2	1		
692	24	PK	D01381	8		27-32-21	SM00038		W	N2	1		
693	24	PK	D04347J	30		31-51-21	D00815	6		N2	2		
694	22	PA	D04349J	46		31-51-43	SM00081		W	N2	1		
696	20	PA	GDX0003	D.	2	27-32-12	SM00082		W	N2	1		
697	20	PA	GDX0003	D.	2	27-32-22	SM00085		W	N2	1		
701	24	PK	D00815	49		31-51-21	D00815	22		N2			
702	24	PK	D00815	16		31-51-21	D00815	48		N2			
703	24	PK	D00819	6		31-51-41	SM00019		W	N2	1		
704	24	PK	SM00075		W	31-51-41	D04511J	14		N2	1		
705	24	PK	D00819	45		31-51-41	D04511J	12		N2	2		

286T0045-327
Wire Bundle Assembly
Figure 124 (Sheet 15)

25-71-02



BOEING
COMPONENT
MAINTENANCE MANUAL

WIRE			FROM EQUIPMENT			TO EQUIPMENT			WIRE INFO				
NUMBER	GA	TYP	NUMBER	TERM	TT	WDM REF	NUMBER	TERM	TT	EMC/SEP	FT	NOTES	EFFECTIVITY
706	24	PK	D00819	10		31-51-41	D04349J	31		N2	2		
707	24	PK	D00819	21		31-51-41	D04509J	4		N2	2		
708	24	PK	D00819	9		31-51-41	D04349J	7		N2	2		
709	24	PK	D00819	39		31-51-41	SM00044		W	N2	1		
710	24	PK	D00819	43		31-51-41	SM00037		W	N2	1		
711	24	PK	D00819	12		31-51-41	D04349J	21		N2	2		
712	24	PK	D00819	53		31-51-41	D04349J	3		N2	2		
713	24	PK	D00819	20		31-51-41	D04347J	9		N2	2		
714	24	PK	D00819	44		31-51-41	D04349J	24		N2	2		
715	24	PK	D04507J	6		31-51-42	SM00019		W	N2	1		
716	24	PK	D01433	34		31-51-42	SM00019		W	N2	1		
717	24	PK	D01433	37		31-51-42	SM00034		W	N2	1		
718	24	PK	D01433	39		31-51-42	D04509J	2		N2	2		
720	24	PK	D01433	52		31-51-42	SM00040		W	N2	1		
721	24	PK	D01433	38		31-51-42	D04347J	24		N2	2		
722	24	PK	D01433	5		31-51-42	D04349J	22		N2	2		
723	24	PK	D04511J	11		31-51-42	SM00038		W	N2	1		
724	24	PK	D01433	40		31-51-42	SM00038		W	N2	1		
725	24	PK	D01433	3		31-51-42	D04347J	13		N2	2		
726	22	PA	D04347J	14		31-51-21	SM00036		W	N2	1		
727	22	PA	D04301J	11		31-51-21	SM00035		W	N2	1		
728	24	PK	D04347J	1		31-51-41	D00819	35		N2	2		
729	24	PK	D04347J	2		31-51-41	D00819	1		N2	2		
730	24	PK	D04347J	3		31-51-41	D00819	36		N2	2		
731	24	PK	D04347J	4		31-51-41	D00819	2		N2	2		
732	24	PK	D04347J	5		31-51-42	D01433	20		N2	2		
733	24	PK	D04347J	16		34-16-11	D00821	65		N2	2		
734	24	PK	D04347J	8		31-51-31	SM00046		W	N2	1		
735	24	PK	D04507J	7		34-16-11	D00821	34		N2	2		
736	24	PK	D04507J	2		34-16-11	D00821	66		N2	2		
737	24	PK	SM00041		W	34-16-11	D00821	31		N2	1		
738	24	PK	D04347J	19		34-16-11	D00821	7		N2	2		
739	24	PK	SM00075		W	34-16-11	D00821	6		N2	1		

286T0045-327
Wire Bundle Assembly
Figure 124 (Sheet 16)

25-71-02

WIRE			FROM EQUIPMENT			TO EQUIPMENT			WIRE INFO				
NUMBER	GA	TYP	NUMBER	TERM	TT	WDM REF	NUMBER	TERM	TT	EMC/SEP	FT	NOTES	EFFECTIVITY
740	24	PK	SM00038		W	34-16-11	D00821	40		N2	1		
741	24	PK	D00821	18		34-16-11	D00821	22		N2			
742	24	PK	D00821	50		34-16-11	D00821	48		N2			
746	24	PK	D04597J	10		31-51-31	SM00043		W	N2	1		
747	24	PK	D01487	46		31-51-31	SM00043		W	N2	1		
748	24	PK	D04347J	7		31-51-31	SM00045		W	N2	1		
749	24	PK	D01487	10		31-51-31	SM00045		W	N2	1		
750	24	PK	D01487	19		31-51-31	SM00046		W	N2	1		
751	24	PK	D01487	13		31-51-31	SM00040		W	N2	1		
752	24	PK	D01487	47		31-51-31	SM00044		W	N2	1		
753	24	PK	D01487	51		31-51-31	SM00041		W	N2	1		
757	24	PK	D01739	11		31-51-35	SM00039		W	N2	1		
758	24	PK	D01487	22		31-51-31	D01489	23		N2	2		
759	24	PK	D01487	55		31-51-31	D01489	47		N2	2		
760	24	PK	D01487	34		31-51-31	D01489	51		N2	2		
761	24	PK	D01487	66		31-51-31	D01489	57		N2	2		
762	24	PK	D00817	10		31-51-32	SM00045		W	N2	1		
763	24	PK	D00817	46		31-51-32	SM00043		W	N2	1		
766	24	FV	D01741	11		31-51-36	SM00053		W	N2	1		
766Z			D01741	DED		31-51-36	SM00053	DED		N2			
767	24	PK	D00817	19		31-51-32	SM00046		W	N2	1		
768	24	PK	D00817	13		31-51-32	SM00040		W	N2	1		
769	24	PK	D00817	47		31-51-32	SM00044		W	N2	1		
770	24	PK	D00817	51		31-51-32	SM00041		W	N2	1		
772	24	PK	D00817	22		31-51-32	D01489	54		N2	2		
773	24	PK	D00817	55		31-51-32	D01489	13		N2	2		
774	24	PK	D00817	34		31-51-32	D01489	25		N2	2		
775	24	PK	D00817	66		31-51-32	D01489	58		N2	2		
776	24	PK	D01489	42		31-51-33	D04347J	15		N2	2		
777	24	PK	D01489	8		31-51-33	D04349J	13		N2	2		
779	24	PK	D01489	35		31-51-33	D04349J	40		N2	2		
780	24	PK	D01489	53		31-51-33	D04349J	2		N2	2		
781	24	PK	D01489	31		31-51-33	D01489	48		N2	2		

286T0045-327
Wire Bundle Assembly
Figure 124 (Sheet 17)

25-71-02



BOEING
COMPONENT
MAINTENANCE MANUAL

WIRE			FROM EQUIPMENT			TO EQUIPMENT			WIRE INFO				
NUMBER	GA	TYP	NUMBER	TERM	TT	WDM REF	NUMBER	TERM	TT	EMC/SEP	FT	NOTES	EFFECTIVITY
782	24	PK	D01489	18		31-51-33	D01489	22		N2			
783	24	PK	D01489	38		31-51-33	SM00008		W	N2	1		
784	24	PK	D01489	4		31-51-33	SM00011		W	N2	1		
785	24	PK	D01489	37		31-51-33	SM00012		W	N2	1		
786	24	PK	D01489	3		31-51-33	SM00010		W	N2	1		
787	24	PK	D01489	1		31-51-33	SM00009		W	N2	1		
788	24	PK	D01489	6		31-51-33	SM00034		W	N2	1		
789	24	PK	D01489	41		31-51-33	D04509J	11		N2	2		
791	24	PK	D01489	7		31-51-33	D04509J	10		N2	2		
792	24	PK	D01489	40		31-51-33	D04509J	9		N2	2		
793	24	PK	D00819	11		31-51-41	SM00075		W	N2	1		
794	20	PA	D04303J	10		31-51-32	GDX0004	S.	2	N2	2		
795	24	PK	D01433	9		31-51-42	D01433	48		N2			
796	24	PK	D01433	22		31-51-42	D01433	50		N2			
797	24	PV	D00815	41		31-51-21	SM00053		W	N2	1		
797Z			D00815	DED		31-51-21	SM00053	DED		N2			
798	24	PV	D04349J	9		31-51-21	SM00053		W	N2	1		
798Z			D04349J	DED		31-51-21	SM00053	DED		N2			
817	24	PK	D00823	55		27-32-12	D11553	6		N2	2		
818	24	PK	D00823	21		27-32-12	D11553	4		N2	2		
819	24	PK	D00823	51		27-32-12	D11553	3		N2	2		
820	24	PK	D00823	50		27-32-12	D11553	2		N2	2		
821	24	PK	D00823	49		27-32-12	D11553	7		N2	2		
822	24	PK	D00823	47		27-32-12	D11553	8		N2	2		
823	24	PK	D00823	46		27-32-12	D11553	9		N2	2		
824	24	PK	D00823	53		27-32-12	D11553	5		N2	2		
825	24	PK	D00823	62		27-32-12	D11553	24		N2	2		
826	24	PK	D01381	55		27-32-22	D11553	16		N2	2		
827	24	PK	D01381	21		27-32-22	D11553	14		N2	2		
828	24	PK	D01381	51		27-32-22	D11553	13		N2	2		
829	24	PK	D01381	50		27-32-22	D11553	12		N2	2		
830	24	PK	D01381	49		27-32-22	D11553	17		N2	2		
831	24	PK	D01381	47		27-32-22	D11553	18		N2	2		

286T0045-327
Wire Bundle Assembly
Figure 124 (Sheet 18)

25-71-02

WIRE			FROM EQUIPMENT			TO EQUIPMENT			WIRE INFO				
NUMBER	GA	TYP	NUMBER	TERM	TT	WDM REF	NUMBER	TERM	TT	EMC/SEP	FT	NOTES	EFFECTIVITY
832	24	PK	D01381	46		27-32-22	D11553	19		N2	2		
833	24	PK	D01381	53		27-32-22	D11553	15		N2	2		
834	24	PK	D01381	62		27-32-22	D11553	34		N2	2		
835	24	PK	D04349J	50		27-32-21	D01381	64		N2	2		
836	20	PA	D04349J	53		27-32-21	GDX0002	S.	2	N2	2		
837	24	PK	D00823	42		27-32-12	SM00082		W	N2	1		
838	24	PK	D01381	42		27-32-22	SM00085		W	N2	1		
862	22	PA	D02261	30		31-41-35	GDX0006	S.	2	N2	1		
863	22	PA	D02261	32		31-41-35	GDX0006	S.	2	N2	1		
864	22	PA	D02261	33		31-41-35	GDX0006	S.	2	N2	1		
865	22	PA	D02261	64		31-41-35	GDX0006	S.	2	N2	1		
866	24	PV	D02261	27		31-51-11	SM00018	REF	W	N2	1		
866Z			D02261	DED		31-51-11	SM00018	REF	W	N2	1		
867	24	PV	D02261	28		31-51-11	SM00047	REF	W	N2	1		
867Z			D02261	DED		31-51-11	SM00047	REF	W	N2	1		
868	24	PV	D02261	29		31-51-12	SM00054	REF	W	N2	1		
868Z			D02261	DED		31-51-12	SM00054	REF	W	N2	1		
869	24	PK	D02261	34		31-51-12	SM00025	REF	W	N2	1		
870	22	PA	D02261	56		31-51-12	GDX0001	S.	2	N2	2		
871	22	PA	D02261	57		31-51-12	GDX0003	S.	2	N2	2		
872	22	PA	D02261	59		31-51-11	GDX0005	S.	2	N2	1		
873	24	PV	D02261	60		31-51-12	SM00055	REF	W	N2	1		
873Z			D02261	DED		31-51-12	SM00055	REF	W	N2	1		
874	24	PV	D02261	62		31-51-11	SM00049	REF	W	N2	1		
874Z			D02261	DED		31-51-11	SM00049	REF	W	N2	1		
875	24	PV	D02261	63		31-51-12	SM00056	REF	W	N2	1		
875Z			D02261	DED		31-51-12	SM00056	REF	W	N2	1		
876	24	PK	D02261	65		31-51-11	SM00022	REF	W	N2	1		
877	24	PV	D00811	14		31-51-11	SM00018	REF	W	N2	2		
877Z			D00811	DED		31-51-11	SM00018	REF	W	N2	2		
878	24	PV	D00811	48		31-51-11	SM00047	REF	W	N2	2		
878Z			D00811	DED		31-51-11	SM00047	REF	W	N2	2		
879	24	PV	D00811	23		31-51-11	SM00049	REF	W	N2	2		

286T0045-327
Wire Bundle Assembly
Figure 124 (Sheet 19)

25-71-02

BOEING
 COMPONENT
 MAINTENANCE MANUAL

WIRE			FROM EQUIPMENT				TO EQUIPMENT				WIRE INFO			
NUMBER	GA	TYP	NUMBER	TERM	TT	WDM	REF	NUMBER	TERM	TT	EMC/SEP	FT	NOTES	EFFECTIVITY
879Z			D00811	DED		31-51-11		SM00049	REF		N2			
880	24	PV	D00813	14		31-51-12		SM00054		W	N2	2		
880Z			D00813	DED		31-51-12		SM00054	REF		N2			
881	24	PV	D00813	48		31-51-12		SM00055		W	N2	2		
881Z			D00813	DED		31-51-12		SM00055	REF		N2			
882	24	PV	D00813	23		31-51-12		SM00056		W	N2	2		
882Z			D00813	DED		31-51-12		SM00056	REF		N2			
883	22	PA	D02261	15		38-32-11		D04349J	26		N2	2		
884	22	PA	D02261	47		38-32-11		D04347J	27		N2	2		
885	24	PK	D04303J	9		31-51-21		SM00057		W	N2	1		
886	24	PK	D04507J	3		31-51-21		SM00058		W	N2	1		
887	24	PK	D04507J	1		31-51-21		SM00058		W	N2	1		
888	24	PK	SM00057		W	31-51-21		D04349J	44		N2	1		

286T0045-327
 Wire Bundle Assembly
 Figure 124 (Sheet 20)

25-71-02

WIRE			FROM EQUIPMENT			TO EQUIPMENT			WIRE INFO				
NUMBER	GA	TYP	NUMBER	TERM	TT	WDM REF	NUMBER	TERM	TT	EMC/ SEP	FT	NOTES	EFFECTIVITY
FRB			D00813			31-51-12	D00813	59		N2			
FRD			D00811			31-51-11	D00811	59		N2			
FRG			D04349J	58		31-41-35	D04349J			N2			
FRH			D04349J	61		28-41-11	D04349J			N2			
PA1			D00815	47		99-99-99	D00815	63		N2		DAW-B2	
PA2			D00817	8		99-99-99	D00817	57		N2		DAW-B2	
PA3			D00819	41		99-99-99	D00819	55		N2		DAW-B2	
PA4			D00821	43		99-99-99	D00821	60		N2		DAW-B2	
PA5			D00823	52		99-99-99	D00823	65		N2		DAW-B2	
PA6			D01433	44		99-99-99	D01433	61		N2		DAW-B2	
PA7			D01381	52		99-99-99	D01381	65		N2		DAW-B2	
PA8			D01487	8		99-99-99	D01487	57		N2		DAW-B2	
PA9			D01489	56		99-99-99	D01489	65		N2		DAW-B2	
PB4			D02261	54		99-99-99	D02261	61		N2		DAW-B2	
P01		SE	D11553							N2			
1	22	PA	D00811	60		31-51-11	GDX0001	S..	2	N2	3	UAE-F2	
2	22	PA	D00821	14		31-51-11	GDX0002	D..	2	N2	2		
3	24	PV	D00811	26		31-51-11	D00821	27		N2	3		
003Z			D00811	DED		31-51-11	D00821			N2			
4	24	PV	D00811	49		31-51-11	D00821	32		N2	3		
004Z			D00811	DED		31-51-11	D00821			N2			
5	24	PV	D00811	35		31-51-11	D00821	17		N2	3		
005Z			D00811	DED		31-51-11	D00821			N2			
6	24	PK	SM00022		W	31-51-11	D00821	51		N2	1		
7	24	PK	D00811	65		31-51-11	SM00022		W	N2	2		
8	24	PK	D00819	37		31-51-11	SM00022		W	N2	1		
9	24	PV	D00819	27		31-51-11	D00811	13		N2	3		
009Z			D00811	DED		31-51-11	D00819			N2			
01A			DELETED							N2			
10	22	PA	D00819	14		31-51-11	GDX0001	D..	2	N2	2		
11	24	PK	D01433	51		31-51-11	SM00022		W	N2	1		
12	24	PV	SM00018		W	31-51-11	D01433	27		N2	1		
012Z			SM00018	REF		31-51-11	D01433			N2			

286T0045-328
Wire Bundle Assembly
Figure 125 (Sheet 1)

25-71-02



BOEING
COMPONENT
MAINTENANCE MANUAL

WIRE			FROM EQUIPMENT			TO EQUIPMENT			WIRE INFO				
NUMBER	GA	TYP	NUMBER	TERM	TT	WDM REF	NUMBER	TERM	TT	EMC/SEP	FT	NOTES	EFFECTIVITY
13	24	PV	SM00047		W	31-51-11	D01433	32		N2	1		
013Z			SM00047	REF		31-51-11	D01433			N2			
14	24	PV	SM00049		W	31-51-11	D01433	17		N2	1		
014Z			SM00049	REF		31-51-11	D01433			N2			
15	22	PA	D01433	14	W	31-51-11	GDX0001	D..	2	N2	2		
16	20	PA	SM00028			31-51-11	GDX0005	D..	2	N2	2		
17	20	UA	GDX0002	S..	2	31-51-11	D00821			N2	2		
18	20	UA	GDX0005	S..	2	31-51-11	D00819			N2	2		
19	20	UA	D01433			31-51-11	GDX0002	S..	2	N2	2		
20	20	PA	GDX0005	D..	2	31-51-11	SM00029		W	N2	2		
21	20	UA	GDX0002	S..	2	31-51-11	D01503			N2	2		
23	20	UA	D00815			31-51-11	GDX0002	S..	2	N2	2		
24	24	PK	D04349J	38		31-51-11	SM00005		W	N2	1		
25	24	PK	D01503	A2		31-51-11	SM00005		W	N2	1		
26	20	PA	D01503	A3		31-51-11	GDX0003	D..	2	N2	2		
27	22	PQ	D01503	X2		31-51-11	D00811	75		N2	4		
027Z			D00811	DED		31-51-11	D01503			N2			
28	24	PV	D01503	X1		31-51-11	SM00015		W	N2	1		
028Z			SM00015	REF		31-51-11	D01503			N2			
29	24	PV	D00811	46		31-51-11	SM00015		W	N2	2		
029Z			SM00015	REF		31-51-11	D00811	DED		N2			
30	24	PK	SM00015		W	31-51-11	D11553	35		N2	1		
32	20	PA	D11553	11		31-51-11	GDX0003	D..	2	N2	2		
33	24	PK	D11553	37		31-51-11	D00811	34		N2	4		
34	24	PK	D11553	36		31-51-11	D00811	33		N2	4		
35	22	PA	D00815	14		31-51-11	GDX0001	D..	2	N2	2		
36	24	PV	D00815	27		31-51-11	D00811	12		N2	3		
036Z			D00811	DED		31-51-11	D00815			N2			
37	24	PV	D00815	32		31-51-11	D00811	17		N2	3		
037Z			D00811	DED		31-51-11	D00815			N2			
38	24	PV	D00815	17		31-51-11	D00811	22		N2	3		
038Z			D00811	DED		31-51-11	D00815			N2			
39	24	PK	D00815	54		31-51-11	SM00020		W	N2	1		

286T0045-328
Wire Bundle Assembly
Figure 125 (Sheet 2)

25-71-02

WIRE			FROM EQUIPMENT			TO EQUIPMENT			WIRE INFO				
NUMBER	GA	TYP	NUMBER	TERM	TT	WDM REF	NUMBER	TERM	TT	EMC/ SEP	FT	NOTES	EFFECTIVITY
40	24	PK	D00811	63		31-51-11	SM00020		W	N2	2		
41	24	PK	D00823	35		31-51-11	SM00020		W	N2	1		
42	24	PK	D01381	35		31-51-11	SM00020		W	N2	1		
45	22	PA	D01381	14		31-51-11	GDX0001	D..	2	N2	2		
46	22	PA	D01381	48		31-51-11	GDX0003	D..	2	N2	2		
47	24	PV	D01381	27		31-51-11	D00811	11		N2	3		
047Z			D00811	DED		31-51-11	D01381			N2			
48	24	PV	D01381	32		31-51-11	D00811	16		N2	3		
048Z			D00811	DED		31-51-11	D01381			N2			
49	24	PV	D01381	17		31-51-11	D00811	21		N2	3		
049Z			D00811	DED		31-51-11	D01381			N2			
52	22	PA	D00823	14		31-51-11	GDX0001	D..	2	N2	2		
53	22	PA	D00823	48		31-51-11	GDX0003	D..	2	N2	2		
54	24	PV	D00823	27		31-51-11	D00811	10		N2	3		
054Z			D00811	DED		31-51-11	D00823			N2			
55	24	PV	D00823	32		31-51-11	D00811	15		N2	3		
055Z			D00811	DED		31-51-11	D00823			N2			
56	24	PV	D00823	17		31-51-11	D00811	20		N2	3		
056Z			D00811	DED		31-51-11	D00823			N2			
57	22	PA	D00817	14		31-51-11	GDX0002	D..	2	N2	2		
58	24	PV	D00817	27		31-51-11	D00811	51		N2	3		
058Z			D00811	DED		31-51-11	D00817			N2			
59	24	PV	D00817	32		31-51-11	D00811	74		N2	3		
059Z			D00811	DED		31-51-11	D00817			N2			
60	24	PK	D00817	45		31-51-11	SM00021		W	N2	1		
61	24	PK	D00811	64		31-51-11	SM00021		W	N2	2		
62	24	PK	D01489	16		31-51-11	SM00021		W	N2	1		
63	24	PK	D01487	45		31-51-11	SM00021		W	N2	1		
64	24	PV	D01487	27		31-51-11	D00811	47		N2	3		
064Z			D00811	DED		31-51-11	D01487			N2			
65	24	PV	D01487	32		31-51-11	D00811	70		N2	3		
065Z			D00811	DED		31-51-11	D01487			N2			
66	22	PA	D01487	14		31-51-11	GDX0003	D..	2	N2	2		

286T0045-328
Wire Bundle Assembly
Figure 125 (Sheet 3)

25-71-02



BOEING
COMPONENT
MAINTENANCE MANUAL

WIRE			FROM EQUIPMENT			TO EQUIPMENT			WIRE INFO				
NUMBER	GA	TYP	NUMBER	TERM	TT	WDM REF	NUMBER	TERM	TT	EMC/SEP	FT	NOTES	EFFECTIVITY
67	24	PV	D01489	27		31-51-11	D00811	45		N2	3		
067Z			D00811	DED		31-51-11	D01489			N2			
68	24	PV	D01489	32		31-51-11	D00811	50		N2	3		
068Z			D00811	DED		31-51-11	D01489			N2			
69	24	PV	D01489	17		31-51-11	D00811	36		N2	3		
069Z			D00811	DED		31-51-11	D01489			N2			
70	22	PA	D01489	14		31-51-11	GDX0003	D..	2	N2	2		
71	20	UA	D01381			31-51-11	GDX0002	S..	2	N2	2		
72	20	UA	D00823			31-51-11	GDX0002	S..	2	N2	2		
73	20	UA	D00817			31-51-11	GDX0002	S..	2	N2	2		
74	20	PA	SM00026		W	31-51-11	GDX0005	D..	2	N2	2		
75	20	UA	D01487			31-51-11	GDX0005	S..	2	N2	2		
76	20	UA	GDX0005	S..	2	31-51-11	D01489			N2	2		
77	24	PK	D02261	40		31-41-35	D04349J	1		N2	2		
78	20	PA	SM00027		W	31-51-11	GDX0005	D..	2	N2	2		
79	22	PA	D00813	60		31-51-12	GDX0003	S..	2	N2	3	UAE-F2	
80	22	PA	D00821	15		31-51-12	GDX0002	D..	2	N2	2		
81	24	PV	D00821	30		31-51-12	D00813	26		N2	3		
081Z			D00813	DED		31-51-12	D00821			N2			
82	24	PV	D00821	33		31-51-12	D00813	49		N2	3		
082Z			D00813	DED		31-51-12	D00821			N2			
83	24	PV	D00821	24		31-51-12	D00813	35		N2	3		
083Z			D00813	DED		31-51-12	D00821			N2			
84	24	PK	D00821	19		31-51-12	SM00025		W	N2	1		
85	24	PK	D00813	65		31-51-12	SM00025		W	N2	2		
86	24	PK	D00819	3		31-51-12	SM00025		W	N2	1		
87	24	PK	D01433	18		31-51-12	SM00025		W	N2	1		
88	22	PA	D01433	15		31-51-12	GDX0002	D..	2	N2	2		
89	24	PV	D01433	30		31-51-12	SM00054		W	N2	1		
089Z			SM00054	REF		31-51-12	D01433			N2			
90	24	PV	D01433	33		31-51-12	SM00055		W	N2	1		
090Z			SM00055	REF		31-51-12	D01433			N2			
91	24	PV	D01433	24		31-51-12	SM00056		W	N2	1		

286T0045-328
Wire Bundle Assembly
Figure 125 (Sheet 4)

25-71-02

WIRE			FROM EQUIPMENT			TO EQUIPMENT			WIRE INFO				
NUMBER	GA	TYP	NUMBER	TERM	TT	WDM REF	NUMBER	TERM	TT	EMC/SEP	FT	NOTES	EFFECTIVITY
091Z			SM00056	REF		31-51-12	D01433			N2			
92	22	PA	D00819	15		31-51-12	GDX0002	D..	2	N2	2		
93	24	PV	D00819	30		31-51-12	D00813	13		N2	3		
093Z			D00813	DED		31-51-12	D00819			N2			
94	20	PA	SM00032		W	31-51-12	GDX0005	D..	2	N2	3		
95	24	PV	D01505	X2		31-51-12	D00813	75		N2			
095Z			D00813	DED		31-51-12	D01505			N2			
96	24	PV	D01505	X1		31-51-12	SM00016		W	N2	1		
096Z			SM00016	REF		31-51-12	D01505			N2	2		
97	24	PV	D00813	46		31-51-12	SM00016		W	N2			
097Z			SM00016	REF		31-51-12	D00813	DED		N2			
98	20	PA	SM00033		W	31-51-12	GDX0005	D..	2	N2			
99	24	PK	SM00016			31-51-12	D11553	25		N2	1		
10A	24	PK	D01489	21		31-51-33	D04349J	44		N2	2		
100	20	PA	D11553	1		31-51-12	GDX0003	D..	2	N2	2		
101	20	UA	D00821			31-51-12	GDX0004	S..	2	N2	2		
102	20	UA	D00819			31-51-12	GDX0004	S..	2	N2	2		
103	20	UA	D01433			31-51-12	GDX0004	S..	2	N2	2		
104	20	UA	D01505			31-51-12	GDX0005	S..	2	N2	2		
106	20	UA	D00815			31-51-12	GDX0004	S..	2	N2	2		
107	20	UA	D01381			31-51-12	GDX0004	S..	2	N2	2		
109	20	UA	D00817			31-51-12	GDX0004	S..	2	N2	2		
110	20	UA	D01487			31-51-12	GDX0001	S..	2	N2	2		
111	20	UA	D01489			31-51-12	GDX0001	S..	2	N2	2		
112	22	PA	D00815	15		31-51-12	GDX0001	D..	2	N2	2		
113	24	PK	D01505	A2		31-51-12	SM00005		W	N2	1		
114	20	PA	D01505	A3		31-51-12	GDX0003	D..	2	N2	2		
116	24	PK	D00815	21		31-51-12	SM00023		W	N2	1		
117	24	PK	D00813	63		31-51-12	SM00023		W	N2	2		
118	24	PK	D00823	1		31-51-12	SM00023		W	N2	1		
119	24	PK	D01381	1		31-51-12	SM00023		W	N2	1		
120	22	PA	D01381	15		31-51-12	GDX0001	D..	2	N2	2		
121	24	PK	D00817	56		31-51-12	SM00024		W	N2	1		

286T0045-328
Wire Bundle Assembly
Figure 125 (Sheet 5)

25-71-02



BOEING
COMPONENT
MAINTENANCE MANUAL

WIRE			FROM EQUIPMENT			TO EQUIPMENT			WIRE INFO				
NUMBER	GA	TYP	NUMBER	TERM	TT	WDM REF	NUMBER	TERM	TT	EMC/ SEP	FT	NOTES	EFFECTIVITY
122	24	PK	D00813	64		31-51-12	SM00024		W	N2	2		
123	24	PK	D01487	56		31-51-12	SM00024		W	N2	1		
124	22	PA	D00823	15		31-51-12	GDX0001	D..	2	N2	2		
125	20	UA	D00823	33		31-51-12	GDX0004	S..	2	N2	2		
126	24	PV	D00823	33		31-51-12	D00813	15		N2	3		
126Z			D00823			31-51-12	D00813	DED		N2			
127	24	PV	D00823	24		31-51-12	D00813	20		N2	3		
127Z			D00823			31-51-12	D00813	DED		N2			
128	22	PA	D00817	15		31-51-12	GDX0002	D..	2	N2	2		
129	24	PV	D00817	30		31-51-12	D00813	51		N2	3		
129Z			D00817			31-51-12	D00813	DED		N2			
130	24	PV	D00817	33		31-51-12	D00813	74		N2	3		
130Z			D00817			31-51-12	D00813	DED		N2			
131	24	PV	D00813	11		31-51-12	D01381	30		N2	3		
131Z			D01381			31-51-12	D00813	DED		N2			
132	24	PV	D00813	16		31-51-12	D01381	33		N2	3		
132Z			D01381			31-51-12	D00813	DED		N2			
133	24	PV	D01381	24		31-51-12	D00813	21		N2	3		
133Z			D01381			31-51-12	D00813	DED		N2			
134	24	PK	D01489	50		31-51-12	SM00024		W	N2	1		
135	24	PV	D01487	30		31-51-12	D00813	47		N2	3		
135Z			D01487			31-51-12	D00813	DED		N2			
136	24	PV	D01487	33		31-51-12	D00813	70		N2	3		
136Z			D01487			31-51-12	D00813	DED		N2			
137	22	PA	D01487	15		31-51-12	GDX0003	D..	2	N2	2		
138	24	PV	D01489	30		31-51-12	D00813	45		N2	3		
138Z			D01489			31-51-12	D00813	DED		N2			
139	24	PV	D01489	33		31-51-12	D00813	50		N2	3		
139Z			D01489			31-51-12	D00813	DED		N2			
140	24	PV	D01489	24		31-51-12	D00813	36		N2	3		
140Z			D01489			31-51-12	D00813	DED		N2			
141	22	PA	D01489	15		31-51-12	GDX0003	D..	2	N2	2		
142	24	PK	D00813	33		31-51-12	D11553	26		N2	3		

286T0045-328
Wire Bundle Assembly
Figure 125 (Sheet 6)

25-71-02

WIRE			FROM EQUIPMENT				TO EQUIPMENT			WIRE INFO			
NUMBER	GA	TYP	NUMBER	TERM	TT	WDM REF	NUMBER	TERM	TT	EMC/SEP	FT	NOTES	EFFECTIVITY
143	24	PK	D11553	27		31-51-12	D00813	34		N2	3		
144	24	PV	D00813	12		31-51-12	D00815	30		N2	3		
144Z			D00813	DED		31-51-12	D00815			N2			
145	20	PA	SM00030		W	31-51-12	GDX0005	D..	2	N2			
146	24	PV	D00813	17		31-51-12	D00815	33		N2	3		
146Z			D00813	DED		31-51-12	D00815			N2			
147	24	PV	D00813	22		31-51-12	D00815	24		N2	3		
147Z			D00813	DED		31-51-12	D00815			N2			
148	24	PV	D00813	10		31-51-12	D00823	30		N2	3		
148Z			D00813	DED		31-51-12	D00823			N2			
149	20	PA	SM00031		W	31-51-12	GDX0005	D..	2	N2			
150	22	PA	D04301J	6		27-32-11	D00823	34		N2	2		
151	24	PK	D04509J	1		27-32-11	D00823	39		N2	2		
152	24	PK	D04347J	26		27-32-11	D00823	40		N2	2		
153	24	PK	D00823	31		27-32-11	D04509J	6		N2	2		
154	20	PA	D04509J	7		27-32-11	GDX0001	D..	2	N2	2		
155	24	PK	SM00037		W	27-32-11	D04511J	3		N2	1		
156	24	PK	D00823	38		27-32-11	D04511J	2		N2	2		
157	24	PK	D04511J	4		27-32-11	SM00050		W	N2	1		
158	24	PK	SM00037		W	27-32-11	D00823	4		N2	1		
159	24	PK	D04349J	14		27-32-11	D00823	36		N2	1		
160	24	PK	D04349J	15		27-32-11	D00823	3		N2	1		
161	24	PK	D04349J	16		27-32-11	D00823	43		N2	1		
162	24	PK	D04349J	10		27-32-11	D00823	2		N2	1		
165	22	PA	D04349J	11		27-32-21	D01381	34		N2	2		
166	24	PK	D01381	40		27-32-21	D04349J	6		N2	2		
167	24	PK	D01381	31		27-32-21	D04511J	7		N2	2		
168	20	PA	GDX0002	D..	2	27-32-21	D04511J	8		N2	2		
169	24	PK	D04349J	34		27-32-21	D01381	36		N2	2		
170	24	PK	D04349J	35		27-32-21	D01381	3		N2	2		
171	24	PK	D04349J	36		27-32-21	D01381	43		N2	2		
172	24	PK	D04349J	37		27-32-21	D01381	2		N2	2		
173	24	PK	D04511J	13		27-32-21	D01381	4		N2	2		

286T0045-328
Wire Bundle Assembly
Figure 125 (Sheet 7)

25-71-02

BOEING
 COMPONENT
 MAINTENANCE MANUAL

WIRE			FROM EQUIPMENT			TO EQUIPMENT			WIRE INFO				
NUMBER	GA	TYP	NUMBER	TERM	TT	WDM REF	NUMBER	TERM	TT	EMC/SEP	FT	NOTES	EFFECTIVITY
174	24	PK	D04511J	16		27-32-21	D01381	37		N2	2		
175	24	PK	D04511J	15		27-32-21	D01381	38		N2	2		
176	24	PK	D04509J	8		27-32-21	D01381	39		N2	2		
177	24	PK	D00815	34		31-51-21	SM00057		W	N2	1		
178	24	PK	D00815	43		31-51-21	D01433	19		N2	2		
179	24	PK	D00815	10		31-51-21	D00819	5		N2	2		
180	24	PK	D04507J	5		31-51-21	SM00034		W	N2	1		
181	24	PK	SM00058		W	31-51-21	D00815	66		N2	1		
182	24	PK	D00815	4		31-51-21	SM00034		W	N2	1		
183	24	PK	D00815	11		31-51-21	D04349J	39		N2	2		
184	22	PA	D00815	37		31-51-21	SM00035		W	N2	1		
185	22	PA	D00815	42		31-51-21	SM00036		W	N2	1		
186	24	PK	D04349J	5		31-51-21	SM00012		W	N2	1		
187	24	PK	D00815	2		31-51-21	SM00012		W	N2	1		
188	24	PK	SM00011		W	31-51-21	D04349J	4		N2	1		
189	24	PK	SM00011		W	31-51-21	D00815	35		N2	1		
192	24	PK	D04347J	10		31-51-21	SM00008		W	N2	1		
193	24	PK	D00815	1		31-51-21	SM00008		W	N2	1		
194	24	PK	D04347J	11		31-51-21	SM00010		W	N2	1		
195	24	PK	D00815	36		31-51-21	SM00010		W	N2	1		
196	24	PK	SM00039		W	31-51-21	D04347J	21		N2	1		
197	24	PK	D00815	45		31-51-21	SM00039		W	N2	1		
198	24	PK	D00815	46		31-51-21	D04347J	6		N2	2		
199	20	PA	GDX0004	S..	2	31-51-31	D04597J	14		N2	2		
201B	24	PW	D01489	43		31-51-33	SM00004		W	N2	1		
201R	24	PW	D01489	9		31-51-33	SM00003		W	N2			
201Z			D01489	DED		31-51-33	SM00003	REF		N2			
204	20	UA	D04507J			27-32-11	GDX0004	S..	2	N2	2		
204B	24	PW	D00823	18		27-32-11	D04507J	12		N2	1		
204R	24	PW	D00823	16		27-32-11	D04507J	11		N2			
204Z			D00823	DED		27-32-11	D04507J			N2			
205B	24	PW	D00815	19		31-51-21	SM00007		W	N2	1		
205R	24	PW	D00815	52		31-51-21	SM00006		W	N2			

286T0045-328
 Wire Bundle Assembly
 Figure 125 (Sheet 8)

25-71-02

WIRE			FROM EQUIPMENT				TO EQUIPMENT				WIRE INFO			
NUMBER	GA	TYP	NUMBER	TERM	TT	WDM REF	NUMBER	TERM	TT	EMC/SEP	FT	NOTES	EFFECTIVITY	
205Z			D00815	DED		31-51-21	SM00006	REF		N2				
207	20	UA	D04597J			31-51-21	GDX0004	S..	2	N2	2			
207B	24	PW	SM00007		W	31-51-21	D04597J	4		N2	1			
207R	24	PW	SM00006		W	31-51-21	D04597J	3		N2				
207Z			SM00006	REF		31-51-21	D04597J			N2				
208	20	UA	D04301J			34-16-11	GDX0002	S..	2	N2	2			
208B	24	PW	D00821	36		34-16-11	D04301J	9		N2	2			
208R	24	PW	D00821	2		34-16-11	D04301J	8		N2				
208Z			D00821	DED		34-16-11	D04301J			N2	1			
209B	24	PW	D01489	46		31-51-33	SM00007		W	N2				
209R	24	PW	D01489	12		31-51-33	SM00006		W	N2				
209Z			D01489	DED		31-51-33	SM00006	REF		N2	1			
212B	24	PW	D01433	36		31-51-42	SM00007		W	N2				
212R	24	PW	D01433	2		31-51-42	SM00006		W	N2				
212Z			D01433	DED		31-51-42	SM00006	REF		N2	2			
213	20	UA	D04507J			34-16-11	GDX0004	S..	2	N2	2			
213B	24	PW	D00821	35		34-16-11	D04507J	8		N2	2			
213R	24	PW	D00821	1		34-16-11	D04507J	9		N2				
213Z			D00821	DED		34-16-11	D04507J			N2	2			
214	20	UA	D04349J			34-16-11	GDX0004	S..	2	N2	2			
214B	24	PW	D00821	37		34-16-11	D04349J	19		N2	2			
214R	24	PW	D00821	3		34-16-11	D04349J	18		N2				
214Z			D00821	DED		34-16-11	D04349J			N2	2			
215B	24	PL	D01487	24		31-51-31	D04597J	12		N2	2			
215R	24	PL	D01487	23		31-51-31	D04597J	13		N2				
216B	24	PL	D00817	24		31-51-32	D04303J	12		N2	2			
216R	24	PL	D00817	23		31-51-32	D04303J	11		N2				
221B	24	PW	D01489	45		31-51-33	SM00004		W	N2	1			
221R	24	PW	D01489	11		31-51-33	SM00003		W	N2				
221Z			D01489	DED		31-51-33	SM00003	REF		N2				
223B	24	PW	D00821	38		34-16-11	SM00004		W	N2	1			
223R	24	PW	D00821	4		34-16-11	SM00003		W	N2				
223Z			D00821	DED		34-16-11	SM00003	REF		N2				

286T0045-328

Wire Bundle Assembly
Figure 125 (Sheet 9)

25-71-02

TESTING & TROUBLE SHOOTING
01

Page 166X
Nov 01/02



BOEING
COMPONENT
MAINTENANCE MANUAL

WIRE			FROM EQUIPMENT			TO EQUIPMENT			WIRE INFO				
NUMBER	GA	TYP	NUMBER	TERM	TT	WDM REF	NUMBER	TERM	TT	EMC/SEP	FT	NOTES	EFFECTIVITY
224	20	UA	D04349J			27-32-21	GDX0004	S..	2	N2	2		
224B	24	PW	D04349J	28		27-32-21	D01381	18		N2	2		
224R	24	PW	D04349J	27		27-32-21	D01381	16		N2			
224Z			D04349J			27-32-21	D01381	DED		N2			
225B	22	PR	D00811	69		31-51-11	SM00060		W	N2	2		
225R	22	PR	D00811	68		31-51-11	SM00060		W	N2			
225Z			D00811	DED		31-51-11	SM00028	REF		N2			
226B	22	PR	D00813	69		31-51-12	SM00061		W	N2	2		
226R	22	PR	D00813	68		31-51-12	SM00061		W	N2			
226Z			D00813	DED		31-51-12	SM00030	REF		N2			
230	20	UA	D04347J			31-51-33	GDX0003	S..	2	N2	2		
230B	24	PW	D04347J	18		31-51-33	SM00004		W	N2	1		
230R	24	PW	D04347J	17		31-51-33	SM00003		W	N2			
230Z			D04347J			31-51-33	SM00003	REF		N2			
236	20	UA	D04347J			27-32-11	GDX0001	S..	2	N2	2		
236B	24	PW	D04347J	37		27-32-11	D00823	54		N2	2		
236R	24	PW	D04347J	36		27-32-11	D00823	23		N2			
236Z			D04347J			27-32-11	D00823	DED		N2			
237B	24	PW	D04347J	40		27-32-11	D00823	13		N2	2		
237R	24	PW	D04347J	39		27-32-11	D00823	12		N2			
237Z			D04347J			27-32-11	D00823	DED		N2			
238	20	UA	D04349J			27-32-21	GDX0001	S..	2	N2	2		
238B	24	PW	D04349J	49		27-32-21	D01381	54		N2	2		
238R	24	PW	D04349J	48		27-32-21	D01381	23		N2			
238Z			D04349J			27-32-21	D01381	DED		N2			
239B	24	PW	D01381	20		27-32-21	D04349J	55		N2	2		
239R	24	PW	D01381	19		27-32-21	D04349J	54		N2			
239Z			D01381	DED		27-32-21	D04349J			N2			
240B	24	PL	D04347J	23		31-51-31	SM00080		W	N2	1		
240R	24	PL	D04347J	22		31-51-31	SM00042		W	N2			
241B	24	PL	D01487	60		31-51-31	SM00080		W	N2	1		
241R	24	PL	D01487	28		31-51-31	SM00042		W	N2			
242B	24	PL	D00817	60		31-51-32	SM00080		W	N2	1		

286T0045-328
Wire Bundle Assembly
Figure 125 (Sheet 10)

25-71-02

WIRE			FROM EQUIPMENT			TO EQUIPMENT			WIRE INFO				
NUMBER	GA	TYP	NUMBER	TERM	TT	WDM REF	NUMBER	TERM	TT	EMC/SEP	FT	NOTES	EFFECTIVITY
242R	24	PL	D00817	28		31-51-32	SM00042		W	N2	2		
243B	24	PW	D04349J	52		27-32-21	D01381	13		N2	2		
243R	24	PW	D04349J	51		27-32-21	D01381	12		N2			
243Z	24	PW	D04349J			27-32-21	D01381	DED		N2	2		
245B	24	PW	D00823	20		27-32-11	D04347J	48		N2			
245R	24	PW	D00823	19		27-32-11	D04347J	47		N2			
245Z	24	PW	D00823	DED		27-32-11	D04347J			N2	2		
247	20	UA	D04349J			31-41-35	GDX0006	S..	2	N2	2		
247B	24	PW	D02261	42		31-41-35	D04349J	57		N2	2		
247R	24	PW	D02261	43		31-41-35	D04349J	56		N2			
247Z	24	PW	D02261	DED		31-41-35	D04349J			N2	2		
248	20	UA	D04349J			28-41-11	GDX0006	S..	2	N2	2		
248B	24	PW	D02261	5		28-41-11	D04349J	60		N2	2		
248R	24	PW	D02261	8		28-41-11	D04349J	59		N2			
248Z	24	PW	D02261	DED		28-41-11	D04349J			N2			
271B	24	PL	D04597J	5		31-51-31	SM00088		W	N2	1		
271R	24	PL	D04597J	2		31-51-31	SM00087		W	N2			
272B	24	PL	D01487	63		31-51-31	SM00088		W	N2	1		
272R	24	PL	D01487	62		31-51-31	SM00087		W	N2			
273B	24	PL	D00817	63		31-51-32	SM00088		W	N2	1		
273R	24	PL	D00817	62		31-51-32	SM00087		W	N2			
290B			DELETED							N2			
290R			DELETED							N2			
290Z			DELETED							N2			
291B			DELETED							N2			
291R			DELETED							N2			
291Z			DELETED							N2			
292B			DELETED							N2			
292R			DELETED							N2			
292Z			DELETED							N2			
301	20	UA	SM00028	REF		31-51-11	GDX0005	S..	2	N2	1		
301B	22	PS	D00811	57		31-51-11	SM00028		W	N2	2		
301R	22	PS	D00811	38		31-51-11	SM00028		W	N2			

286T0045-328
Wire Bundle Assembly
Figure 125 (Sheet 11)

25-71-02



BOEING
COMPONENT
MAINTENANCE MANUAL

WIRE			FROM EQUIPMENT			TO EQUIPMENT			WIRE INFO				
NUMBER	GA	TYP	NUMBER	TERM	TT	WDM REF	NUMBER	TERM	TT	EMC/SEP	FT	NOTES	EFFECTIVITY
301Y	22	PS	D00811	58		31-51-11	SM00028		W	N2			
301Z			D00811	DED		31-51-11	SM00028	REF		N2			
302B	22	PS	D00811	42		31-51-11	SM00029		W	N2	2		
302R	22	PS	D00811	41		31-51-11	SM00029		W	N2			
302Y	22	PS	D00811	43		31-51-11	SM00029		W	N2			
302Z			D00811	DED		31-51-11	SM00028	REF		N2			
303B	22	PS	D00811	8		31-51-11	SM00026		W	N2	2		
303R	22	PS	D00811	7		31-51-11	SM00026		W	N2			
303Y	22	PS	D00811	9		31-51-11	SM00026		W	N2			
303Z			D00811	DED		31-51-11	SM00028	REF		N2			
304B	22	PS	D00811	25		31-51-11	SM00027		W	N2	2		
304R	22	PS	D00811	24		31-51-11	SM00027		W	N2			
304Y	22	PS	D00811	37		31-51-11	SM00027		W	N2			
304Z			D00811	DED		31-51-11	SM00028	REF		N2			
305	20	UA	SM00030	REF		31-51-12	GDX0005	S..	2	N2	1		
305B	22	PS	D00813	8		31-51-12	SM00030		W	N2	2		
305R	22	PS	D00813	7		31-51-12	SM00030		W	N2			
305Y	22	PS	D00813	9		31-51-12	SM00030		W	N2			
305Z			D00813	DED		31-51-12	SM00030	REF		N2			
306B	22	PS	D00813	25		31-51-12	SM00031		W	N2	2		
306R	22	PS	D00813	24		31-51-12	SM00031		W	N2			
306Y	22	PS	D00813	37		31-51-12	SM00031		W	N2			
306Z			D00813	DED		31-51-12	SM00030	REF		N2			
307B	22	PS	D00813	57		31-51-12	SM00032		W	N2	2		
307R	22	PS	D00813	38		31-51-12	SM00032		W	N2			
307Y	22	PS	D00813	58		31-51-12	SM00032		W	N2			
307Z			D00813	DED		31-51-12	SM00030	REF		N2			
308B	22	PS	D00813	42		31-51-12	SM00033		W	N2	2		
308R	22	PS	D00813	41		31-51-12	SM00033		W	N2			
308Y	22	PS	D00813	43		31-51-12	SM00033		W	N2			
308Z			D00813	DED		31-51-12	SM00030	REF		N2			
512	24	PK	D02261	20		27-81-31	D04349J	8		N2	2		
516	24	PK	D04347J	50		26-16-31	D02261	6		N2	2		

286T0045-328
Wire Bundle Assembly
Figure 125 (Sheet 12)

25-71-02

TESTING & TROUBLE SHOOTING
01 Page 167
Nov 01/02

WIRE			FROM EQUIPMENT			TO EQUIPMENT			WIRE INFO				
NUMBER	GA	TYP	NUMBER	TERM	TT	WDM REF	NUMBER	TERM	TT	EMC/SEP	FT	NOTES	EFFECTIVITY
517	24	PK	D04349J	26		26-16-31	D02261	39		N2	2		
601	20	PA	SM00060		W	31-51-11	GDX0004	D..	2	N2			
602	20	PA	SM00061		W	31-51-12	GDX0005	D..	2	N2			
603	24	PV	D04301J	5		31-51-12	M01103	INE	D	N2	1		
603Z	24	PV	D04301J	DED		31-51-12	M01103	GND	D	N2			
604	24	PV	D04301J	4		31-51-12	D00813	4		N2	3		
604Z	24	PV	D04301J	DED		31-51-12	D00813			N2			
605	24	PV	D00813	1		31-51-12	M01103	OAD	D	N2	3		
605Z	24	PV	D00813			31-51-12	M01103	DED		N2			
606	24	PV	D04349J	32		31-51-11	M01102	INE	D	N2	1		
606Z	24	PV	D04349J	DED		31-51-11	M01102	GND	D	N2			
607	24	PV	D04349J	33		31-51-11	D00811	4		N2	3		
607Z	24	PV	D04349J	DED		31-51-11	D00811			N2			
608	24	PV	D00811	1		31-51-11	M01102	OAD	D	N2	3		
608Z	24	PV	D00811			31-51-11	M01102	DED		N2			
610	24	PK	D00823	37		27-32-11	SM00050		W	N2	1		
611	24	PK	D01433	6		31-51-42	D04347J	20		N2	2		
612	24	PK	D01433	4		31-51-42	SM00050		W	N2	1		
613	24	PK	D04349J	30		31-51-31	SM00065		W	N2	1		
614	24	PK	D01487	52		31-51-31	SM00065		W	N2	1		
615	24	PK	D00817	52		31-51-32	SM00065		W	N2	1		
617	24	PK	D01381	11		27-32-12	D00823	56		N2	1		
618	24	PK	D01381	56		27-32-12	D00823	11		N2	1		
619	24	PK	D00823	45		27-32-12	SM00082		W	N2	1		
620	24	PK	D04349J	29		31-51-21	SM00071		W	N2	1		
621	24	PK	D00815	7		31-51-21	SM00071		W	N2	1		
622	24	PK	D01489	2		31-51-33	SM00071		W	N2	1		
623	24	PK	D01489	36		31-51-33	SM00038		W	N2	1		
624	24	PK	D00815	8		31-51-21	SM00045		W	N2	1		
625	24	PK	D01487	9		31-51-31	SM00034		W	N2	1		
628	22	PA	D01487	20		31-51-31	GDX0006	D..	2	N2	2		
629	22	PA	D01487	53		31-51-31	GDX0006	D..	2	N2	2		
630	22	PA	D01487	21		31-51-31	GDX0006	D..	2	N2	2		

286T0045-328
Wire Bundle Assembly
Figure 125 (Sheet 13)

25-71-02



BOEING
COMPONENT
MAINTENANCE MANUAL

WIRE		FROM EQUIPMENT			TO EQUIPMENT			WIRE INFO					
NUMBER	GA	TYP	NUMBER	TERM	TT	WDM REF	NUMBER	TERM	TT	EMC/SEP	FT	NOTES	EFFECTIVITY
631	24	PK	D00817	9		31-51-32	SM00034		W	N2	1		
634	22	PA	D00817	20		31-51-32	GDX0006	D..	2	N2	2		
635	22	PA	D00817	53		31-51-32	GDX0006	D..	2	N2	2		
636	22	PA	D00817	21		31-51-32	GDX0006	D..	2	N2	2		
644	22	PQ	D00823	66		27-32-31	D04347J	42	2	N2	2		
644Z			D00823	DED		27-32-31	D04347J	DED		N2	2		
646	22	PQ	D01381	66		27-32-31	D04349J	42	2	N2	2		
646Z			D01381	DED		27-32-31	D04349J	DED		N2	2		
648	24	PK	D04347J	32		34-16-11	D00821	40	2	N2	2		
649	24	PK	D04347J	33		34-16-11	SM00038		W	N2	1		
681	24	PK	D01433	10		31-51-43	D04507J	10	2	N2	2		
682	24	PK	D01433	13		31-51-43	D04347J	46	2	N2	2		
683	22	PA	D01433	41		31-51-43	SM00081		W	N2	1		
684	20	PA	GDX0001	D..	2	31-51-43	D04349J	47	2	N2	2		
685	24	PK	D00823	58		27-32-12	D01505	A1	2	N2	2		
686	24	PK	D00823	8		27-32-11	SM00038		W	N2	1		
687	24	PK	D00823	64		27-32-11	SM00081		W	N2	1		
688	24	PK	D01381	58		27-32-22	D01503	A1	2	N2	2		
689	24	PK	D01381	45		27-32-22	SM00085		W	N2	1		
692	24	PK	D01381	8		27-32-21	SM00038		W	N2	1		
693	24	PK	D04347J	30		31-51-21	D00815	6	2	N2	2		
694	22	PA	D04349J	46		31-51-43	SM00081		W	N2	1		
696	20	PA	GDX0003	D..	2	27-32-12	SM00082		W	N2	1		
697	20	PA	GDX0003	D..	2	27-32-22	SM00085		W	N2	1		
701	24	PK	D00815	49		31-51-21	D00815	22	2	N2	2		
702	24	PK	D00815	16		31-51-21	D00815	48	2	N2	2		
703	24	PK	D00819	6		31-51-41	SM00019		W	N2	1		
704	24	PK	SM00075		W	31-51-41	D04511J	14	1	N2	1		
705	24	PK	D00819	45		31-51-41	D04511J	12	2	N2	2		
706	24	PK	D00819	10		31-51-41	D04349J	31	2	N2	2		
707	24	PK	D00819	21		31-51-41	D04509J	4	2	N2	2		
708	24	PK	D00819	9		31-51-41	D04349J	7	2	N2	2		
709	24	PK	D00819	39		31-51-41	SM00044		W	N2	1		

286T0045-328
Wire Bundle Assembly
Figure 125 (Sheet 14)

25-71-02

TESTING & TROUBLE SHOOTING
01 Page 168A
Nov 01/02

WIRE			FROM EQUIPMENT			TO EQUIPMENT			WIRE INFO				
NUMBER	GA	TYP	NUMBER	TERM	TT	WDM REF	NUMBER	TERM	TT	EMC/SEP	FT	NOTES	EFFECTIVITY
710	24	PK	D00819	43		31-51-41	SM00037		W	N2	1		
711	24	PK	D00819	12		31-51-41	D04349J	21		N2	2		
712	24	PK	D00819	53		31-51-41	D04349J	3		N2	2		
713	24	PK	D00819	20		31-51-41	D04347J	9		N2	2		
714	24	PK	D00819	44		31-51-41	D04349J	24		N2	2		
715	24	PK	D04507J	6		31-51-42	SM00019		W	N2	1		
716	24	PK	D01433	34		31-51-42	SM00019		W	N2	1		
717	24	PK	D01433	37		31-51-42	SM00034		W	N2	1		
718	24	PK	D01433	39		31-51-42	D04509J	2		N2	2		
720	24	PK	D01433	52		31-51-42	SM00040		W	N2	1		
721	24	PK	D01433	38		31-51-42	D04347J	24		N2	2		
722	24	PK	D01433	5		31-51-42	D04349J	22		N2	2		
723	24	PK	D04511J	11		31-51-42	SM00038		W	N2	1		
724	24	PK	D01433	40		31-51-42	SM00038		W	N2	1		
725	24	PK	D01433	3		31-51-42	D04347J	13		N2	2		
726	22	PA	D04347J	14		31-51-21	SM00036		W	N2	1		
727	22	PA	D04301J	11		31-51-21	SM00035		W	N2	1		
728	24	PK	D04347J	1		31-51-41	D00819	35		N2	2		
729	24	PK	D04347J	2		31-51-41	D00819	1		N2	2		
730	24	PK	D04347J	3		31-51-41	D00819	36		N2	2		
731	24	PK	D04347J	4		31-51-41	D00819	2		N2	2		
732	24	PK	D04347J	5		31-51-42	D01433	20		N2	2		
733	24	PK	D04347J	16		34-16-11	D00821	65		N2	2		
734	24	PK	D04347J	8		31-51-31	SM00046		W	N2	1		
735	24	PK	D04507J	7		34-16-11	D00821	34		N2	2		
736	24	PK	D04507J	2		34-16-11	D00821	66		N2	2		
737	24	PK	SM00041		W	34-16-11	D00821	31		N2	1		
738	24	PK	D04347J	19		34-16-11	D00821	7		N2	2		
739	24	PK	SM00075		W	34-16-11	D00821	6		N2	1		
741	24	PK	D00821	18		34-16-11	D00821	22		N2			
742	24	PK	D00821	50		34-16-11	D00821	48		N2			
746	24	PK	D04597J	10		31-51-31	SM00043		W	N2	1		
747	24	PK	D01487	46		31-51-31	SM00043		W	N2	1		

286T0045-328
Wire Bundle Assembly
Figure 125 (Sheet 15)

25-71-02

TESTING & TROUBLE SHOOTING
01 Page 168B
Nov 01/02



BOEING
COMPONENT
MAINTENANCE MANUAL

WIRE			FROM EQUIPMENT			TO EQUIPMENT			WIRE INFO				
NUMBER	GA	TYP	NUMBER	TERM	TT	WDM REF	NUMBER	TERM	TT	EMC/SEP	FT	NOTES	EFFECTIVITY
748	24	PK	D04347J	7		31-51-31	SM00045		W	N2	1		
749	24	PK	D01487	10		31-51-31	SM00045		W	N2	1		
750	24	PK	D01487	19		31-51-31	SM00046		W	N2	1		
751	24	PK	D01487	13		31-51-31	SM00040		W	N2	1		
752	24	PK	D01487	47		31-51-31	SM00044		W	N2	1		
753	24	PK	D01487	51		31-51-31	SM00041		W	N2	1		
755	24	PV	D01487	1		31-51-31	SM00035		W	N2	1		
755Z			D01487	DED		31-51-31	SM00035	DED	W	N2	1		
756	24	PK	D01487	50		31-51-31	SM00036		W	N2	1		
757	24	PK	D01487	11		31-51-31	SM00039		W	N2	1		
758	24	PK	D01487	22		31-51-31	D01489	23		N2	2		
759	24	PK	D01487	55		31-51-31	D01489	47		N2	2		
760	24	PK	D01487	34		31-51-31	D01489	51		N2	2		
761	24	PK	D01487	66		31-51-31	D01489	57		N2	2		
762	24	PK	D00817	10		31-51-32	SM00045		W	N2	1		
763	24	PK	D00817	46		31-51-32	SM00043		W	N2	1		
764	24	PV	D00817	1		31-51-32	SM00035		W	N2	1		
764Z			D00817	DED		31-51-32	SM00035	DED	W	N2	1		
765	24	PK	D00817	50		31-51-32	SM00036		W	N2	1		
766	24	PV	D00817	11		31-51-32	SM00053		W	N2	1		
766Z			D00817	DED		31-51-32	SM00053	DED	W	N2	1		
767	24	PK	D00817	19		31-51-32	SM00046		W	N2	1		
768	24	PK	D00817	13		31-51-32	SM00040		W	N2	1		
769	24	PK	D00817	47		31-51-32	SM00044		W	N2	1		
770	24	PK	D00817	51		31-51-32	SM00041		W	N2	1		
772	24	PK	D00817	22		31-51-32	D01489	54		N2	2		
773	24	PK	D00817	55		31-51-32	D01489	13		N2	2		
774	24	PK	D00817	34		31-51-32	D01489	25		N2	2		
775	24	PK	D00817	66		31-51-32	D01489	58		N2	2		
776	24	PK	D01489	42		31-51-33	D04347J	15		N2	2		
777	24	PK	D01489	8		31-51-33	D04349J	13		N2	2		
779	24	PK	D01489	35		31-51-33	D04349J	40		N2	2		
780	24	PK	D01489	53		31-51-33	D04349J	2		N2	2		

286T0045-328
Wire Bundle Assembly
Figure 125 (Sheet 16)

25-71-02

TESTING & TROUBLE SHOOTING
01 Page 168C
Nov 01/02

WIRE			FROM EQUIPMENT			TO EQUIPMENT			WIRE INFO				
NUMBER	GA	TYP	NUMBER	TERM	TT	WDM REF	NUMBER	TERM	TT	EMC/ SEP	FT	NOTES	EFFECTIVITY
781	24	PK	D01489	31		31-51-33	D01489	48		N2			
782	24	PK	D01489	18		31-51-33	D01489	22		N2			
783	24	PK	D01489	38		31-51-33	SM00008		W	N2	1		
784	24	PK	D01489	4		31-51-33	SM00011		W	N2	1		
785	24	PK	D01489	37		31-51-33	SM00012		W	N2	1		
786	24	PK	D01489	3		31-51-33	SM00010		W	N2	1		
788	24	PK	D01489	6		31-51-33	SM00034		W	N2	1		
789	24	PK	D01489	41		31-51-33	D04509J	11		N2	2		
791	24	PK	D01489	7		31-51-33	D04349J	12		N2	2		
793	24	PK	D00819	11		31-51-41	SM00075		W	N2	1		
794	20	PA	D04303J	10		31-51-32	GDX0004	S..	2	N2	2		
795	24	PK	D01433	9		31-51-42	D01433	48		N2			
796	24	PK	D01433	22		31-51-42	D01433	50		N2			
797	24	PV	D00815	41		31-51-21	SM00053		W	N2	1		
797Z			D00815	DED		31-51-21	SM00053	DED		N2			
798	24	PV	D04349J	9		31-51-21	SM00053		W	N2	1		
798Z			D04349J	DED		31-51-21	SM00053	DED		N2			
817	24	PK	D00823	55		27-32-12	D11553	6		N2	2		
818	24	PK	D00823	21		27-32-12	D11553	4		N2	2		
819	24	PK	D00823	51		27-32-12	D11553	3		N2	2		
820	24	PK	D00823	50		27-32-12	D11553	2		N2	2		
821	24	PK	D00823	49		27-32-12	D11553	7		N2	2		
822	24	PK	D00823	47		27-32-12	D11553	8		N2	2		
823	24	PK	D00823	46		27-32-12	D11553	9		N2	2		
824	24	PK	D00823	53		27-32-12	D11553	5		N2	2		
825	24	PK	D00823	62		27-32-12	D11553	24		N2	2		
826	24	PK	D01381	55		27-32-22	D11553	16		N2	2		
827	24	PK	D01381	21		27-32-22	D11553	14		N2	2		
828	24	PK	D01381	51		27-32-22	D11553	13		N2	2		
829	24	PK	D01381	50		27-32-22	D11553	12		N2	2		
830	24	PK	D01381	49		27-32-22	D11553	17		N2	2		
831	24	PK	D01381	47		27-32-22	D11553	18		N2	2		
832	24	PK	D01381	46		27-32-22	D11553	19		N2	2		

286T0045-328
Wire Bundle Assembly
Figure 125 (Sheet 17)

25-71-02



BOEING
COMPONENT
MAINTENANCE MANUAL

WIRE			FROM EQUIPMENT			TO EQUIPMENT			WIRE INFO				
NUMBER	GA	TYP	NUMBER	TERM	TT	WDM REF	NUMBER	TERM	TT	EMC/SEP	FT	NOTES	EFFECTIVITY
833	24	PK	D01381	53		27-32-22	D11553	15		N2	2		
834	24	PK	D01381	62		27-32-22	D11553	34		N2	2		
835	24	PK	D04349J	50		27-32-21	D01381	64		N2	2		
836	20	PA	D04349J	53		27-32-21	GDX0002	S..	2	N2	2		
837	24	PK	D00823	42		27-32-12	SM00082		W	N2	1		
838	24	PK	D01381	42		27-32-22	SM00085		W	N2	1		
862	22	PA	D02261	30		31-41-35	GDX0006	S..	2	N2	1		
863	22	PA	D02261	32		31-41-35	GDX0006	S..	2	N2	1		
864	22	PA	D02261	33		31-41-35	GDX0006	S..	2	N2	1		
865	22	PA	D02261	64		31-41-35	GDX0006	S..	2	N2	1		
866	24	PV	D02261	27		31-51-11	SM00018		W	N2	1		
866Z			D02261	DED		31-51-11	SM00018	REF		N2			
867	24	PV	D02261	28		31-51-11	SM00047		W	N2	1		
867Z			D02261	DED		31-51-11	SM00047	REF		N2			
868	24	PV	D02261	29		31-51-12	SM00054		W	N2	1		
868Z			D02261	DED		31-51-12	SM00054	REF		N2			
869	24	PK	D02261	34		31-51-12	SM00025		W	N2	1		
870	22	PA	D02261	56		31-51-12	GDX0001	S..	2	N2	2		
871	22	PA	D02261	57		31-51-12	GDX0003	S..	2	N2	2		
872	22	PA	D02261	59		31-51-11	GDX0005	S..	2	N2	1		
873	24	PV	D02261	60		31-51-12	SM00055		W	N2	1		
873Z			D02261	DED		31-51-12	SM00055	REF		N2			
874	24	PV	D02261	62		31-51-11	SM00049		W	N2	1		
874Z			D02261	DED		31-51-11	SM00049	REF		N2			
875	24	PV	D02261	63		31-51-12	SM00056		W	N2	1		
875Z			D02261	DED		31-51-12	SM00056	REF		N2			
876	24	PK	D02261	65		31-51-11	SM00022		W	N2	1		
877	24	PV	D00811	14		31-51-11	SM00018		W	N2	2		
877Z			D00811	DED		31-51-11	SM00018	REF		N2			
878	24	PV	D00811	48		31-51-11	SM00047		W	N2	2		
878Z			D00811	DED		31-51-11	SM00047	REF		N2			
879	24	PV	D00811	23		31-51-11	SM00049		W	N2	2		
879Z			D00811	DED		31-51-11	SM00049	REF		N2			

286T0045-328
Wire Bundle Assembly
Figure 125 (Sheet 18)

25-71-02

TESTING & TROUBLE SHOOTING
01 Page 168E
Nov 01/02

WIRE			FROM EQUIPMENT			TO EQUIPMENT			WIRE INFO				
NUMBER	GA	TYP	NUMBER	TERM	TT	WDM REF	NUMBER	TERM	TT	EMC/SEP	FT	NOTES	EFFECTIVITY
880	24	PV	D00813	14		31-51-12	SM00054		W	N2	2		
880Z			D00813	DED		31-51-12	SM00054	REF		N2			
881	24	PV	D00813	48		31-51-12	SM00055		W	N2	2		
881Z			D00813	DED		31-51-12	SM00055	REF		N2			
882	24	PV	D00813	23		31-51-12	SM00056		W	N2	2		
882Z			D00813	DED		31-51-12	SM00056	REF		N2			
885	24	PK	D04303J	9		31-51-21	SM00057		W	N2	1		
886	24	PK	D04507J	3		31-51-21	SM00058		W	N2	1		
887	24	PK	D04507J	1		31-51-21	SM00058		W	N2	1		
888	24	PK	SM00057		W	31-51-21	D04349J	25		N2	1		

286T0045-328
 Wire Bundle Assembly
 Figure 125 (Sheet 19)

25-71-02

TESTING & TROUBLE SHOOTING
 01 Page 168F
 Nov 01/02



BOEING
COMPONENT
MAINTENANCE MANUAL

WIRE			FROM EQUIPMENT			TO EQUIPMENT			WIRE INFO				
NUMBER	GA	TYP	NUMBER	TERM	TT	WDM REF	NUMBER	TERM	TT	EMC/SEP	FT	NOTES	EFFECTIVITY
FRA			M01103			31-51-12	M01103	GND	D	N2			
FRB			D00813	REF		31-51-12	D00813	59		N2			
FRC			M01102			31-51-11	M01102	GND	D	N2			
FRD			D00811	REF		31-51-11	D00811	59		N2			
FRG			D04349J	58		31-41-35	D04349J	REF		N2			
FRH			D04349J	61		28-41-11	D04349J	REF		N2			
PA1			D00815	47		99-99-99	D00815	63		N2		DAW-B2	
PA2			D00817	8		99-99-99	D00817	57		N2		DAW-B2	
PA3			D00819	41		99-99-99	D00819	55		N2		DAW-B2	
PA4			D00821	43		99-99-99	D00821	60		N2		DAW-B2	
PA5			D00823	52		99-99-99	D00823	65		N2		DAW-B2	
PA6			D01433	44		99-99-99	D01433	61		N2		DAW-B2	
PA7			D01381	52		99-99-99	D01381	65		N2		DAW-B2	
PA8			D01487	8		99-99-99	D01487	57		N2		DAW-B2	
PA9			D01489	56		99-99-99	D01489	65		N2		DAW-B2	
PB4			D02261	54		99-99-99	D02261	61		N2		DAW-B2	
P01		SE	D11553							N2			
1	22	PA	D00811	60		31-51-11	GDX0001	S.	2	N2	3	UAE-F2	
2	22	PA	D00821	14		31-51-11	GDX0002	D.	2	N2	2		
3	24	PV	D00811	26		31-51-11	D00821	27		N2	3		
003Z			D00811	DED		31-51-11	D00821	REF		N2			
4	24	PV	D00811	49		31-51-11	D00821	32		N2	3		
004Z			D00811	DED		31-51-11	D00821	REF		N2			
5	24	PV	D00811	35		31-51-11	D00821	17		N2	3		
005Z			D00811	DED		31-51-11	D00821	REF		N2			
6	24	PK	SM00022		W	31-51-11	D00821	51		N2	1		
7	24	PK	D00811	65		31-51-11	SM00022		W	N2	2		
8	24	PK	D00819	37		31-51-11	SM00022		W	N2	1		
9	24	PV	D00819	27		31-51-11	D00811	13		N2	3		
009Z			D00811	DED		31-51-11	D00819	REF		N2			
01A	24	PK	D04349J	43		31-51-33	D01489	49		N2	2		
10	22	PA	D00819	14		31-51-11	GDX0001	D.	2	N2	2		
11	24	PK	D01433	51		31-51-11	SM00022		W	N2	1		

286T0045-329
Wire Bundle Assembly
Figure 126 (Sheet 1)

25-71-02

WIRE			FROM EQUIPMENT			TO EQUIPMENT			WIRE INFO				
NUMBER	GA	TYP	NUMBER	TERM	TT	WDM REF	NUMBER	TERM	TT	EMC/SEP	FT	NOTES	EFFECTIVITY
12	24	PV	SM00018		W	31-51-11	D01433	27		N2	1		
012Z			SM00018	REF		31-51-11	D01433	REF		N2			
13	24	PV	SM00047		W	31-51-11	D01433	32		N2	1		
013Z			SM00047	REF		31-51-11	D01433	REF		N2			
14	24	PV	SM00049		W	31-51-11	D01433	17		N2	1		
014Z			SM00049	REF		31-51-11	D01433	REF		N2			
15	22	PA	D01433	14	W	31-51-11	GDX0001	D.	2	N2	2		
16	20	PA	SM00028			31-51-11	GDX0005	D.	2	N2			
17	20	PA	GDX0002	S.	2	31-51-11	D00821	REF		N2	2		
18	20	PA	GDX0005	S.	2	31-51-11	D00819	REF		N2	2		
19	20	PA	D01433	REF		31-51-11	GDX0002	S.	2	N2	2		
20	20	PA	GDX0005	D.	2	31-51-11	SM00029		W	N2			
21	20	PA	GDX0002	S.	2	31-51-11	D01503	REF		N2	2		
23	20	PA	D00815	REF		31-51-11	GDX0002	S.	2	N2	2		
24	24	PK	D04349J	38		31-51-11	SM00005		W	N2	1		
25	24	PK	D01503	A2		31-51-11	SM00005		W	N2	1		
26	20	PA	D01503	A3		31-51-11	GDX0003	D.	2	N2	2		
27	22	PQ	D01503	X2		31-51-11	D00811	75		N2	4		
027Z			D00811	DED		31-51-11	D01503	REF		N2			
28	24	PV	D01503	X1		31-51-11	SM00015		W	N2	1		
028Z			SM00015	REF		31-51-11	D01503	REF		N2			
29	24	PV	D00811	46		31-51-11	SM00015		W	N2	2		
029Z			SM00015	REF		31-51-11	D00811	DED		N2			
30	24	PK	SM00015		W	31-51-11	D11553	35		N2	1		
32	20	PA	D11553	11		31-51-11	GDX0003	D.	2	N2	2		
33	24	PK	D11553	37		31-51-11	D00811	34		N2	4		
34	24	PK	D11553	36		31-51-11	D00811	33		N2	4		
35	22	PA	D00815	14		31-51-11	GDX0001	D.	2	N2	2		
36	24	PV	D00815	27		31-51-11	D00811	12		N2	3		
036Z			D00811	DED		31-51-11	D00815	REF		N2			
37	24	PV	D00815	32		31-51-11	D00811	17		N2	3		
037Z			D00811	DED		31-51-11	D00815	REF		N2			
38	24	PV	D00815	17		31-51-11	D00811	22		N2	3		

286T0045-329

 Wire Bundle Assembly
 Figure 126 (Sheet 2)

25-71-02

 TESTING & TROUBLE SHOOTING
 01 Page 168H
 Nov 01/02



BOEING
COMPONENT
MAINTENANCE MANUAL

WIRE		FROM EQUIPMENT		TO EQUIPMENT		WIRE INFO								
NUMBER	GA	TYP	NUMBER	TERM	TT	WDM	REF	NUMBER	TERM	TT	EMC/SEP	FT	NOTES	EFFECTIVITY
038Z			D00811	DED		31-51-11		D00815	REF		N2			
39	24	PK	D00815	54		31-51-11		SM00020		W	N2	1		
40	24	PK	D00811	63		31-51-11		SM00020		W	N2	2		
41	24	PK	D00823	35		31-51-11		SM00020		W	N2	1		
42	24	PK	D01381	35		31-51-11		SM00020		W	N2	1		
45	22	PA	D01381	14		31-51-11		GDX0001	D.	2	N2	2		
46	22	PA	D01381	48		31-51-11		GDX0003	D.	2	N2	2		
47	24	FV	D01381	27		31-51-11		D00811	11		N2	3		
047Z			D00811	DED		31-51-11		D01381	REF		N2			
48	24	FV	D01381	32		31-51-11		D00811	16		N2	3		
048Z			D00811	DED		31-51-11		D01381	REF		N2			
49	24	FV	D01381	17		31-51-11		D00811	21		N2	3		
049Z			D00811	DED		31-51-11		D01381	REF		N2			
52	22	PA	D00823	14		31-51-11		GDX0001	D.	2	N2	2		
53	22	PA	D00823	48		31-51-11		GDX0003	D.	2	N2	2		
54	24	FV	D00823	27		31-51-11		D00811	10		N2	3		
054Z			D00811	DED		31-51-11		D00823	REF		N2			
55	24	FV	D00823	32		31-51-11		D00811	15		N2	3		
055Z			D00811	DED		31-51-11		D00823	REF		N2			
56	24	FV	D00823	17		31-51-11		D00811	20		N2	3		
056Z			D00811	DED		31-51-11		D00823	REF		N2			
57	22	PA	D00817	14		31-51-11		GDX0002	D.	2	N2	2		
58	24	FV	D00817	27		31-51-11		D00811	51		N2	3		
058Z			D00811	DED		31-51-11		D00817	REF		N2			
59	24	FV	D00817	32		31-51-11		D00811	74		N2	3		
059Z			D00811	DED		31-51-11		D00817	REF		N2			
60	24	PK	D00817	45		31-51-11		SM00021		W	N2	1		
61	24	PK	D00811	64		31-51-11		SM00021		W	N2	2		
62	24	PK	D01489	16		31-51-11		SM00021		W	N2	1		
63	24	PK	D01487	45		31-51-11		SM00021		W	N2	1		
64	24	FV	D01487	27		31-51-11		D00811	47		N2	3		
064Z			D01487	REF		31-51-11		D00811	DED		N2			
65	24	FV	D01487	32		31-51-11		D00811	70		N2	3		

286T0045-329
Wire Bundle Assembly
Figure 126 (Sheet 3)

25-71-02

WIRE			FROM EQUIPMENT			TO EQUIPMENT			WIRE INFO				
NUMBER	GA	TYP	NUMBER	TERM	TT	WDM REF	NUMBER	TERM	TT	EMC/SEP	FT	NOTES	EFFECTIVITY
065Z			D01487	REF		31-51-11	D00811	DED		N2			
66	22	PA	D01487	14		31-51-11	GDX0003	D.	2	N2	2		
67	24	PV	D01489	27		31-51-11	D00811	45		N2	3		
067Z			D00811	DED		31-51-11	D01489	REF		N2			
68	24	PV	D01489	32		31-51-11	D00811	50		N2	3		
068Z			D00811	DED		31-51-11	D01489	REF		N2			
69	24	PV	D01489	17		31-51-11	D00811	36		N2	3		
069Z			D00811	DED		31-51-11	D01489	REF		N2			
70	22	PA	D01489	14		31-51-11	GDX0003	D.	2	N2	2		
71	20	PA	D01381	REF		31-51-11	GDX0002	S.	2	N2	2		
72	20	PA	D00823	REF		31-51-11	GDX0002	S.	2	N2	2		
73	20	PA	D00817	REF		31-51-11	GDX0002	S.	2	N2	2		
74	20	PA	SM00026		W	31-51-11	GDX0005	D.	2	N2	2		
75	20	PA	D01487	REF		31-51-11	GDX0005	S.	2	N2	2		
76	20	PA	GDX0005	S.	2	31-51-11	D01489	REF		N2	2		
77	24	PK	D02261	40	W	31-41-35	D04349J	1		N2	2		
78	20	PA	SM00027			31-51-11	GDX0005	D.	2	N2	3		
79	22	PA	D00813	60		31-51-12	GDX0003	S.	2	N2	2		
80	22	PA	D00821	15		31-51-12	GDX0002	D.	2	N2	2		
81	24	PV	D00821	30		31-51-12	D00813	26		N2	3		
081Z			D00821	REF		31-51-12	D00813	DED		N2			
82	24	PV	D00821	33		31-51-12	D00813	49		N2	3		
082Z			D00821	REF		31-51-12	D00813	DED		N2			
83	24	PV	D00821	24		31-51-12	D00813	35		N2	3		
083Z			D00813	DED		31-51-12	D00821	REF		N2			
84	24	PK	D00821	19		31-51-12	SM00025		W	N2	1		
85	24	PK	D00813	65		31-51-12	SM00025		W	N2	2		
86	24	PK	D00819	3		31-51-12	SM00025		W	N2	1		
87	24	PK	D01433	18		31-51-12	SM00025		W	N2	1		
88	22	PA	D01433	15		31-51-12	GDX0002	D.	2	N2	2		
89	24	PV	D01433	30		31-51-12	SM00054		W	N2	1		
089Z			SM00054	REF		31-51-12	D01433	REF		N2			
90	24	PV	D01433	33		31-51-12	SM00055		W	N2	1		

286T0045-329

 Wire Bundle Assembly
 Figure 126 (Sheet 4)

25-71-02

 TESTING & TROUBLE SHOOTING
 01 Page 168J
 Nov 01/02



BOEING
COMPONENT
MAINTENANCE MANUAL

WIRE		FROM EQUIPMENT		TO EQUIPMENT		WIRE INFO							
NUMBER	GA	TYP	NUMBER	TERM	TT	WDM REF	NUMBER	TERM	TT	EMC/SEP	FT	NOTES	EFFECTIVITY
090Z			SM00055	REF		31-51-12	D01433	REF		N2			
91	24	PV	D01433	24		31-51-12	SM00056		W	N2	1		
091Z			SM00056	REF		31-51-12	D01433	REF		N2			
92	22	PA	D00819	15		31-51-12	GDX0002	D.	2	N2	2		
93	24	PV	D00819	30		31-51-12	D00813	13		N2	3		
093Z			D00813	DED		31-51-12	D00819	REF		N2			
94	20	PA	SM00032		W	31-51-12	GDX0005	D.	2	N2			
95	24	PV	D01505	X2		31-51-12	D00813	75		N2	3		
095Z			D00813	DED		31-51-12	D01505	REF		N2			
96	24	PV	D01505	X1		31-51-12	SM00016		W	N2	1		
096Z			SM00016	REF		31-51-12	D01505	REF		N2			
97	24	PV	D00813	46		31-51-12	SM00016		W	N2	2		
097Z			SM00016	REF		31-51-12	D00813	DED		N2			
98	20	PA	SM00033		W	31-51-12	GDX0005	D.	2	N2			
99	24	PK	SM00016		W	31-51-12	D11553	25		N2	1		
100	20	PA	D11553	1		31-51-12	GDX0003	D.	2	N2	2		
101	20	PA	D00821	REF		31-51-12	GDX0004	S.	2	N2	2		
102	20	PA	D00819	REF		31-51-12	GDX0004	S.	2	N2	2		
103	20	PA	D01433	REF		31-51-12	GDX0004	S.	2	N2	2		
104	20	PA	D01505	REF		31-51-12	GDX0005	S.	2	N2	2		
106	20	PA	D00815	REF		31-51-12	GDX0004	S.	2	N2	2		
107	20	PA	D01381	REF		31-51-12	GDX0004	S.	2	N2	2		
109	20	PA	D00817	REF		31-51-12	GDX0004	S.	2	N2	2		
110	20	PA	D01487	REF		31-51-12	GDX0001	S.	2	N2	2		
111	20	PA	D01489	REF		31-51-12	GDX0001	S.	2	N2	2		
112	22	PA	D00815	15		31-51-12	GDX0001	D.	2	N2	2		
113	24	PK	D01505	A2		31-51-12	SM00005		W	N2	1		
114	20	PA	D01505	A3		31-51-12	GDX0003	D.	2	N2	2		
115	24	PK	D02261	21		21-61-51	D04347J	25		N2	2		
116	24	PK	D00815	21		31-51-12	SM00023		W	N2	1		
117	24	PK	D00813	63		31-51-12	SM00023		W	N2	2		
118	24	PK	D00823	1		31-51-12	SM00023		W	N2	1		
119	24	PK	D01381	1		31-51-12	SM00023		W	N2	1		

286T0045-329
Wire Bundle Assembly
Figure 126 (Sheet 5)

25-71-02

WIRE			FROM EQUIPMENT			TO EQUIPMENT			WIRE INFO				
NUMBER	GA	TYP	NUMBER	TERM	TT	WDM REF	NUMBER	TERM	TT	EMC/SEP	FT	NOTES	EFFECTIVITY
120	22	PA	D01381	15		31-51-12	GDX0001	D.	2	N2	2		
121	24	PK	D00817	56		31-51-12	SM00024		W	N2	1		
122	24	PK	D00813	64		31-51-12	SM00024		W	N2	2		
123	24	PK	D01487	56		31-51-12	SM00024		W	N2	1		
124	22	PA	D00823	15		31-51-12	GDX0001	D.	2	N2	2		
125	20	PA	D00823	REF		31-51-12	GDX0004	S.	2	N2	2		
126	24	PV	D00823	33		31-51-12	D00813	15		N2	3		
126Z			D00823	REF		31-51-12	D00813	DED		N2	2		
127	24	PV	D00823	24		31-51-12	D00813	20		N2	3		
127Z			D00823	REF		31-51-12	D00813	DED		N2	2		
128	22	PA	D00817	15		31-51-12	GDX0002	D.	2	N2	2		
129	24	PV	D00817	30		31-51-12	D00813	51		N2	3		
129Z			D00817	REF		31-51-12	D00813	DED		N2	2		
130	24	PV	D00817	33		31-51-12	D00813	74		N2	3		
130Z			D00817	REF		31-51-12	D00813	DED		N2	2		
131	24	PV	D00813	11		31-51-12	D01381	30		N2	3		
131Z			D01381	REF		31-51-12	D00813	DED		N2	2		
132	24	PV	D00813	16		31-51-12	D01381	33		N2	3		
132Z			D01381	REF		31-51-12	D00813	DED		N2	2		
133	24	PV	D01381	24		31-51-12	D00813	21		N2	3		
133Z			D01381	REF		31-51-12	D00813	DED		N2	2		
134	24	PK	D01489	50		31-51-12	SM00024		W	N2	1		
135	24	PV	D01487	30		31-51-12	D00813	47		N2	3		
135Z			D01487	REF		31-51-12	D00813	DED		N2	2		
136	24	PV	D01487	33		31-51-12	D00813	70		N2	3		
136Z			D01487	REF		31-51-12	D00813	DED		N2	2		
137	22	PA	D01487	15		31-51-12	GDX0003	D.	2	N2	2		
138	24	PV	D01489	30		31-51-12	D00813	45		N2	3		
138Z			D01489	REF		31-51-12	D00813	DED		N2	2		
139	24	PV	D01489	33		31-51-12	D00813	50		N2	3		
139Z			D01489	REF		31-51-12	D00813	DED		N2	2		
140	24	PV	D01489	24		31-51-12	D00813	36		N2	3		
140Z			D01489	REF		31-51-12	D00813	DED		N2	2		

286T0045-329

Wire Bundle Assembly
Figure 126 (Sheet 6)

25-71-02

TESTING & TROUBLE SHOOTING
01 Page 168L
Nov 01/02



BOEING
COMPONENT
MAINTENANCE MANUAL

WIRE			FROM EQUIPMENT			TO EQUIPMENT			WIRE INFO				
NUMBER	GA	TYP	NUMBER	TERM	TT	WDM REF	NUMBER	TERM	TT	EMC/SEP	FT	NOTES	EFFECTIVITY
141	22	PA	D01489	15		31-51-12	GDX0003	D..	2	N2	2		
142	24	PK	D00813	33		31-51-12	D11553	26		N2	3		
143	24	PK	D11553	27		31-51-12	D00813	34		N2	3		
144	24	PV	D00813	12		31-51-12	D00815	30		N2	3		
144Z			D00813	DED		31-51-12	D00815	REF		N2			
145	20	PA	SM00030		W	31-51-12	GDX0005	D..	2	N2			
146	24	PV	D00813	17		31-51-12	D00815	33		N2	3		
146Z			D00813	DED		31-51-12	D00815	REF		N2			
147	24	PV	D00813	22		31-51-12	D00815	24		N2	3		
147Z			D00813	DED		31-51-12	D00815	REF		N2			
148	24	PV	D00813	10		31-51-12	D00823	30		N2	3		
148Z			D00813	DED		31-51-12	D00823	REF		N2			
149	20	PA	SM00031		W	31-51-12	GDX0005	D..	2	N2			
150	22	PA	D04301J	6		27-32-11	D00823	34		N2	2		
151	24	PK	D04509J	1		27-32-11	D00823	39		N2	2		
152	24	PK	D04347J	26		27-32-11	D00823	40		N2	2		
153	24	PK	D00823	31		27-32-11	D04509J	6		N2	2		
154	20	PA	D04509J	7		27-32-11	GDX0001	D..	2	N2			
155	24	PK	SM00037		W	27-32-11	D04511J	3		N2	1		
156	24	PK	D00823	38		27-32-11	D04511J	2		N2	2		
157	24	PK	D04511J	4		27-32-11	SM00050		W	N2	1		
158	24	PK	SM00037		W	27-32-11	D00823	4		N2	1		
159	24	PK	D04349J	14		27-32-11	D00823	36		N2	1		
160	24	PK	D04349J	15		27-32-11	D00823	3		N2	1		
161	24	PK	D04349J	16		27-32-11	D00823	43		N2	1		
162	24	PK	D04349J	10		27-32-11	D00823	2		N2	1		
165	22	PA	D04349J	11		27-32-21	D01381	34		N2	2		
166	24	PK	D01381	40		27-32-21	D04349J	6		N2	2		
167	24	PK	D01381	31		27-32-21	D04511J	7		N2	2		
168	20	PA	GDX0002		2	27-32-21	D04511J	8		N2	2		
169	24	PK	D04349J	34		27-32-21	D01381	36		N2	2		
170	24	PK	D04349J	35		27-32-21	D01381	3		N2	2		
171	24	PK	D04349J	36		27-32-21	D01381	43		N2	2		

286T0045-329
Wire Bundle Assembly
Figure 126 (Sheet 7)

25-71-02

WIRE			FROM EQUIPMENT			TO EQUIPMENT			WIRE INFO				
NUMBER	GA	TYP	NUMBER	TERM	TT	WDM REF	NUMBER	TERM	TT	EMC/SEP	FT	NOTES	EFFECTIVITY
172	24	PK	D04349J	37		27-32-21	D01381	2		N2	2		
173	24	PK	D04511J	13		27-32-21	D01381	4		N2	2		
174	24	PK	D04511J	16		27-32-21	D01381	37		N2	2		
175	24	PK	D04511J	15		27-32-21	D01381	38		N2	2		
176	24	PK	D04509J	8		27-32-21	D01381	39		N2	2		
177	24	PK	D00815	34		31-51-21	SM00057		W	N2	1		
178	24	PK	D00815	43		31-51-21	D01433	19		N2	2		
179	24	PK	D00815	10		31-51-21	D00819	5		N2	2		
180	24	PK	D04507J	5		31-51-21	SM00034		W	N2	1		
181	24	PK	SM00058		W	31-51-21	D00815	66		N2	1		
182	24	PK	D00815	4		31-51-21	SM00034		W	N2	1		
183	24	PK	D00815	11		31-51-21	D04349J	39		N2	2		
184	22	PA	D00815	37		31-51-21	SM00035		W	N2	1		
185	22	PA	D00815	42		31-51-21	SM00036		W	N2	1		
186	24	PK	D04349J	5		31-51-21	SM00012		W	N2	1		
187	24	PK	D00815	2		31-51-21	SM00012		W	N2	1		
188	24	PK	SM00011		W	31-51-21	D04349J	4		N2	1		
189	24	PK	SM00011		W	31-51-21	D00815	35		N2	1		
190	24	PK	D04349J	12		31-51-21	SM00009		W	N2	1		
191	24	PK	D00815	44		31-51-21	SM00009		W	N2	1		
192	24	PK	D04347J	10		31-51-21	SM00008		W	N2	1		
193	24	PK	D00815	1		31-51-21	SM00008		W	N2	1		
194	24	PK	D04347J	11		31-51-21	SM00010		W	N2	1		
195	24	PK	D00815	36		31-51-21	SM00010		W	N2	1		
196	24	PK	SM00039		W	31-51-21	D04347J	21		N2	1		
197	24	PK	D00815	45		31-51-21	SM00039		W	N2	1		
198	24	PK	D00815	46		31-51-21	D04347J	6		N2	2		
199	20	PA	GDX0004	S.	2	31-51-31	D04597J	14		N2	2		
201B	24	PW	D01489	43		31-51-33	SM00004		W	N2	1		
201R	24	PW	D01489	9		31-51-33	SM00003		W	N2			
201Z			D01489	DED		31-51-33	SM00003	REF		N2			
204	20	PA	D04507J	REF		27-32-11	GDX0004	S.	2	N2	2		
204B	24	PW	D00823	18		27-32-11	D04507J	12		N2	1		

286T0045-329
Wire Bundle Assembly
Figure 126 (Sheet 8)

25-71-02



BOEING
COMPONENT
MAINTENANCE MANUAL

WIRE		FROM EQUIPMENT			TO EQUIPMENT			WIRE INFO					
NUMBER	GA	TYP	NUMBER	TERM	TT	WDM REF	NUMBER	TERM	TT	EMC/SEP	FT	NOTES	EFFECTIVITY
204R	24	PW	D00823	16		27-32-11	D04507J	11		N2			
204Z			D00823	DED		27-32-11	D04507J	REF		N2			
205B	24	PW	D00815	19		31-51-21	SM00007		W	N2	1		
205R	24	PW	D00815	52		31-51-21	SM00006		W	N2			
205Z			D00815	DED		31-51-21	SM00006	REF		N2			
207	20	PA	D04597J	REF		31-51-21	GDX0004	S.	2	N2	2		
207B	24	PW	SM00007		W	31-51-21	D04597J	4		N2	1		
207R	24	PW	SM00006		W	31-51-21	D04597J	3		N2			
207Z			SM00006	REF		31-51-21	D04597J	REF		N2			
208	20	PA	D04301J	REF		34-16-11	GDX0002	S.	2	N2	2		
208B	24	PW	D00821	36		34-16-11	D04301J	9		N2	2		
208R	24	PW	D00821	2		34-16-11	D04301J	8		N2			
208Z			D00821	DED		34-16-11	D04301J	REF		N2			
209B	24	PW	D01489	46		31-51-33	SM00007		W	N2	1		
209R	24	PW	D01489	12		31-51-33	SM00006		W	N2			
209Z			D01489	DED		31-51-33	SM00006	REF		N2			
212B	24	PW	D01433	36		31-51-42	SM00007		W	N2	1		
212R	24	PW	D01433	2		31-51-42	SM00006		W	N2			
212Z			D01433	DED		31-51-42	SM00006	REF		N2			
213	20	PA	D04507J	REF		34-16-11	GDX0004	S.	2	N2	2		
213B	24	PW	D00821	35		34-16-11	D04507J	8		N2	2		
213R	24	PW	D00821	1		34-16-11	D04507J	9		N2			
213Z			D00821	DED		34-16-11	D04507J	REF		N2			
214	20	PA	D04349J	REF		34-16-11	GDX0004	S.	2	N2	2		
214B	24	PW	D00821	37		34-16-11	D04349J	19		N2	2		
214R	24	PW	D00821	3		34-16-11	D04349J	18		N2			
214Z			D00821	DED		34-16-11	D04349J	REF		N2			
215B	24	PL	D01487	24		31-51-31	D04597J	12		N2	2		
215R	24	PL	D01487	23		31-51-31	D04597J	13		N2			
216B	24	PL	D00817	24		31-51-32	D04303J	12		N2	2		
216R	24	PL	D00817	23		31-51-32	D04303J	11		N2			
221B	24	PW	D01489	45		31-51-33	SM00004		W	N2	1		
221R	24	PW	D01489	11		31-51-33	SM00003		W	N2			

286T0045-329
Wire Bundle Assembly
Figure 126 (Sheet 9)

25-71-02

WIRE			FROM EQUIPMENT			TO EQUIPMENT			WIRE INFO				
NUMBER	GA	TYP	NUMBER	TERM	TT	WDM REF	NUMBER	TERM	TT	EMC/SEP	FT	NOTES	EFFECTIVITY
221Z			D01489	DED		31-51-33	SM00003	REF		N2			
223B	24	PW	D00821	38		34-16-11	SM00004		W	N2	1		
223R	24	PW	D00821	4		34-16-11	SM00003		W	N2			
223Z			D00821	DED		34-16-11	SM00003	REF		N2			
224	20	PA	D04349J	REF		27-32-21	GDX0004	S..	2	N2	2		
224B	24	PW	D04349J	28		27-32-21	D01381	18		N2	2		
224R	24	PW	D04349J	27		27-32-21	D01381	16		N2			
224Z			D04349J	REF		27-32-21	D01381	DED		N2			
225B	22	PR	D00811	69		31-51-11	SM00060		W	N2	2		
225R	22	PR	D00811	68		31-51-11	SM00060		W	N2			
225Z			D00811	DED		31-51-11	SM00028	REF		N2			
226B	22	PR	D00813	69		31-51-12	SM00061		W	N2	2		
226R	22	PR	D00813	68		31-51-12	SM00061		W	N2			
226Z			D00813	DED		31-51-12	SM00030	REF		N2			
230	20	PA	D04347J	REF		31-51-33	GDX0003	S..	2	N2	2		
230B	24	PW	D04347J	18		31-51-33	SM00004		W	N2	1		
230R	24	PW	D04347J	17		31-51-33	SM00003		W	N2			
230Z			D04347J	REF		31-51-33	SM00003	REF		N2			
236	20	PA	D04347J	REF		27-32-11	GDX0003	S..	2	N2	2		
236B	24	PW	D04347J	37		27-32-11	D00823	54		N2	2		
236R	24	PW	D04347J	36		27-32-11	D00823	23		N2			
236Z			D04347J	REF		27-32-11	D00823	DED		N2			
237B	24	PW	D04347J	40		27-32-11	D00823	13		N2	2		
237R	24	PW	D04347J	39		27-32-11	D00823	12		N2			
237Z			D04347J	REF		27-32-11	D00823	DED		N2			
238	20	PA	D04349J	REF		27-32-21	GDX0001	S..	2	N2	2		
238B	24	PW	D04349J	49		27-32-21	D01381	54		N2	2		
238R	24	PW	D04349J	48		27-32-21	D01381	23		N2			
238Z			D04349J	REF		27-32-21	D01381	DED		N2			
239B	24	PW	D01381	20		27-32-21	D04349J	55		N2	2		
239R	24	PW	D01381	19		27-32-21	D04349J	54		N2			
239Z			D01381	DED		27-32-21	D04349J	REF		N2			
240B	24	PL	D04347J	23		31-51-31	SM00080		W	N2	1		

286T0045-329
Wire Bundle Assembly
Figure 126 (Sheet 10)

25-71-02



BOEING
COMPONENT
MAINTENANCE MANUAL

WIRE			FROM EQUIPMENT			TO EQUIPMENT			WIRE INFO				
NUMBER	GA	TYP	NUMBER	TERM	TT	WDM REF	NUMBER	TERM	TT	EMC/SEP	FT	NOTES	EFFECTIVITY
240R	24	PL	D04347J	22		31-51-31	SM00042		W	N2			
241B	24	PL	D01487	60		31-51-31	SM00080		W	N2	1		
241R	24	PL	D01487	28		31-51-31	SM00042		W	N2			
242B	24	PL	D00817	60		31-51-32	SM00080		W	N2	1		
242R	24	PL	D00817	28		31-51-32	SM00042		W	N2			
243B	24	PW	D04349J	52		27-32-21	D01381	13	N2	N2	2		
243R	24	PW	D04349J	51		27-32-21	D01381	12	N2	N2			
243Z			D04349J	REF		27-32-21	D01381	DED	N2	N2			
245B	24	PW	D00823	20		27-32-11	D04347J	48	N2	N2	2		
245R	24	PW	D00823	19		27-32-11	D04347J	47	N2	N2			
245Z			D00823	DED		27-32-11	D04347J	REF	N2	N2			
247	20	PA	D04349J	REF		31-41-35	GDX0006	S..	2	N2	2		
247B	24	PW	D02261	42		31-41-35	D04349J	57	N2	N2	2		
247R	24	PW	D02261	43		31-41-35	D04349J	56	N2	N2			
247Z			D02261	DED		31-41-35	D04349J	REF	N2	N2			
248	20	PA	D04349J	REF		28-41-11	GDX0006	S..	2	N2	2		
248B	24	PW	D02261	5		28-41-11	D04349J	60	N2	N2	2		
248R	24	PW	D02261	8		28-41-11	D04349J	59	N2	N2			
248Z			D02261	DED		28-41-11	D04349J	REF	N2	N2			
271B	24	PL	D04597J	5		31-51-31	SM00088		W	N2	1		
271R	24	PL	D04597J	2		31-51-31	SM00087		W	N2			
272B	24	PL	D01487	63		31-51-31	SM00088		W	N2	1		
272R	24	PL	D01487	62		31-51-31	SM00087		W	N2			
273B	24	PL	D00817	63		31-51-32	SM00088		W	N2	1		
273R	24	PL	D00817	62		31-51-32	SM00087		W	N2			
289	24	PK	D01489	21		31-51-33	D04509J	5	W	N2	2		
290B	24	PW	D04597J	8		34-43-15	SM00104		W	N2	1		
290R	24	PW	D04597J	7		34-43-15	SM00103		W	N2			
290Z			D04597J	9		34-43-15	SM00103	REF	N2	N2			
291B	24	PW	D04303J	4		34-43-15	SM00104		W	N2	1		
291R	24	PW	D04303J	3		34-43-15	SM00103		W	N2			
291Z			D04303J	5		34-43-15	SM00103	REF	N2	N2			
292B	24	PW	D04347J	53		34-43-15	SM00104		W	N2	1		

286T0045-329
Wire Bundle Assembly
Figure 126 (Sheet 11)

25-71-02

WIRE			FROM EQUIPMENT			TO EQUIPMENT			WIRE INFO				
NUMBER	GA	TYP	NUMBER	TERM	TT	WDM REF	NUMBER	TERM	TT	EMC/SEP	FT	NOTES	EFFECTIVITY
292R	24	PW	D04347J	51		34-43-15	SM00103		W	N2			
292Z			D04347J	61		34-43-15	SM00103	REF		N2			
301	20	PA	SM00028	REF		31-51-11	GDX0005	S.	2	N2	1		
301B	22	PS	D00811	57		31-51-11	SM00028		W	N2	2		
301R	22	PS	D00811	38		31-51-11	SM00028		W	N2			
301Y	22	PS	D00811	58		31-51-11	SM00028		W	N2			
301Z			D00811	DED		31-51-11	SM00028	REF		N2			
302B	22	PS	D00811	42		31-51-11	SM00029		W	N2	2		
302R	22	PS	D00811	41		31-51-11	SM00029		W	N2			
302Y	22	PS	D00811	43		31-51-11	SM00029		W	N2			
302Z			D00811	DED		31-51-11	SM00028	REF		N2			
303B	22	PS	D00811	8		31-51-11	SM00026		W	N2	2		
303R	22	PS	D00811	7		31-51-11	SM00026		W	N2			
303Y	22	PS	D00811	9		31-51-11	SM00026		W	N2			
303Z			D00811	DED		31-51-11	SM00028	REF		N2			
304B	22	PS	D00811	25		31-51-11	SM00027		W	N2	2		
304R	22	PS	D00811	24		31-51-11	SM00027		W	N2			
304Y	22	PS	D00811	37		31-51-11	SM00027		W	N2			
304Z			D00811	DED		31-51-11	SM00028	REF		N2			
305	20	PA	SM00030	REF		31-51-12	GDX0005	S.	2	N2	1		
305B	22	PS	D00813	8		31-51-12	SM00030		W	N2	2		
305R	22	PS	D00813	7		31-51-12	SM00030		W	N2			
305Y	22	PS	D00813	9		31-51-12	SM00030		W	N2			
305Z			D00813	DED		31-51-12	SM00030	REF		N2			
306B	22	PS	D00813	25		31-51-12	SM00031		W	N2	2		
306R	22	PS	D00813	24		31-51-12	SM00031		W	N2			
306Y	22	PS	D00813	37		31-51-12	SM00031		W	N2			
306Z			D00813	DED		31-51-12	SM00030	REF		N2			
307B	22	PS	D00813	57		31-51-12	SM00032		W	N2	2		
307R	22	PS	D00813	38		31-51-12	SM00032		W	N2			
307Y	22	PS	D00813	58		31-51-12	SM00032		W	N2			
307Z			D00813	DED		31-51-12	SM00030	REF		N2			
308B	22	PS	D00813	42		31-51-12	SM00033		W	N2	2		

286T0045-329
Wire Bundle Assembly
Figure 126 (Sheet 12)

25-71-02



BOEING
COMPONENT
MAINTENANCE MANUAL

WIRE		FROM EQUIPMENT		TO EQUIPMENT		WIRE INFO							
NUMBER	GA	TYP	NUMBER	TERM	TT	WDM REF	NUMBER	TERM	TT	EMC/SEP	FT	NOTES	EFFECTIVITY
308R	22	PS	D00813	41		31-51-12	SM00033		W	N2			
308Y	22	PS	D00813	43		31-51-12	SM00033		W	N2			
308Z			D00813	DED		31-51-12	SM00030	REF		N2			
512	24	FK	D02261	20		27-81-31	D04349J	8		N2	2		
601	20	PA	SM00060		W	31-51-11	GDX0004	D..	2	N2			
602	20	PA	SM00061		W	31-51-12	GDX0005	D..	2	N2			
603	24	FV	D04301J	5		31-51-12	M01103	INE	D	N2	1		
603Z			D04301J	DED		31-51-12	M01103			N2			
604	24	FV	D04301J	4		31-51-12	D00813	4		N2	3		
604Z			D04301J	DED		31-51-12	D00813	REF		N2			
605	24	FV	D00813	1		31-51-12	M01103	OAD	D	N2	3		
605Z			D00813	REF		31-51-12	M01103	DED		N2			
606	24	FV	D04349J	32		31-51-11	M01102	INE	D	N2	1		
606Z			D04349J	DED		31-51-11	M01102			N2			
607	24	FV	D04349J	33		31-51-11	D00811	4		N2	3		
607Z			D04349J	DED		31-51-11	D00811	REF		N2			
608	24	FV	D00811	1		31-51-11	M01102	OAD	D	N2	3		
608Z			D00811	REF		31-51-11	M01102	DED		N2			
610	24	PK	D00823	37		27-32-11	SM00050		W	N2	1		
611	24	PK	D01433	6		31-51-42	D04347J	20		N2	2		
612	24	PK	D01433	4		31-51-42	SM00050		W	N2	1		
613	24	PK	D04349J	30		31-51-31	SM00065		W	N2	1		
614	24	PK	D01487	52		31-51-31	SM00065		W	N2	1		
615	24	PK	D00817	52		31-51-32	SM00065		W	N2	1		
617	24	PK	D01381	11		27-32-12	D00823	56		N2	1		
618	24	PK	D01381	56		27-32-12	D00823	11		N2	1		
619	24	PK	D00823	45		27-32-12	SM00082		W	N2	1		
620	24	PK	D04349J	29		31-51-21	SM00071		W	N2	1		
621	24	PK	D00815	7		31-51-21	SM00071		W	N2	1		
622	24	PK	D01489	2		31-51-33	SM00071		W	N2	1		
623	24	PK	D01489	36		31-51-33	SM00038		W	N2	1		
624	24	PK	D00815	8		31-51-21	SM00045		W	N2	1		
625	24	PK	D01487	9		31-51-31	SM00034		W	N2	1		

286T0045-329
Wire Bundle Assembly
Figure 126 (Sheet 13)

25-71-02

WIRE			FROM EQUIPMENT			TO EQUIPMENT			WIRE INFO				
NUMBER	GA	TYP	NUMBER	TERM	TT	WDM REF	NUMBER	TERM	TT	EMC/SEP	FT	NOTES	EFFECTIVITY
628			DELETED							N2			
629			DELETED							N2			
630			DELETED							N2			
631	24	PK	D00817	9		31-51-32	SM00034		W	N2	1		
634			DELETED							N2			
635			DELETED							N2			
636			DELETED							N2			
644	22	PQ	D00823	66		27-32-31	D04347J	42		N2	2		
644Z			D00823	DED		27-32-31	D04347J	DED		N2			
646	22	PQ	D01381	66		27-32-31	D04349J	42		N2	2		
646Z			D01381	DED		27-32-31	D04349J	DED		N2			
681	24	PK	D01433	10		31-51-43	D04507J	10		N2	2		
682	24	PK	D01433	13		31-51-43	D04347J	46		N2	2		
683	22	FA	D01433	41		31-51-43	SM00081			N2	1		
684	20	FA	GDX0001	D.	2	31-51-43	D04349J	47	W	N2	2		
685	24	PK	D00823	58		27-32-12	D01505	A1		N2	2		
686	24	PK	D00823	8		27-32-11	SM00038		W	N2	1		
687	24	PK	D00823	64		27-32-11	SM00081		W	N2	1		
688	24	PK	D01381	58		27-32-22	D01503	A1		N2	2		
689	24	PK	D01381	45		27-32-22	SM00085		W	N2	1		
692	24	PK	D01381	8		27-32-21	SM00038		W	N2	1		
693	24	PK	D04347J	30		31-51-21	D00815	6		N2	2		
694	22	FA	D04349J	46		31-51-43	SM00081		W	N2	1		
696	20	FA	GDX0003	D.	2	27-32-12	SM00082		W	N2	1		
697	20	FA	GDX0003	D.	2	27-32-22	SM00085		W	N2	1		
701	24	PK	D00815	49		31-51-21	D00815	22		N2			
702	24	PK	D00815	16		31-51-21	D00815	48		N2			
703	24	PK	D00819	6		31-51-41	SM00019		W	N2	1		
704	24	PK	SM00075		W	31-51-41	D04511J	14		N2	1		
705	24	PK	D00819	45		31-51-41	D04511J	12		N2	2		
706	24	PK	D00819	10		31-51-41	D04349J	31		N2	2		
707	24	PK	D00819	21		31-51-41	D04509J	4		N2	2		
708	24	PK	D00819	9		31-51-41	D04349J	7		N2	2		

286T0045-329
Wire Bundle Assembly
Figure 126 (Sheet 14)

25-71-02



BOEING
COMPONENT
MAINTENANCE MANUAL

WIRE		FROM EQUIPMENT			TO EQUIPMENT			WIRE INFO					
NUMBER	GA	TYP	NUMBER	TERM	TT	WDM REF	NUMBER	TERM	TT	EMC/SEP	FT	NOTES	EFFECTIVITY
709	24	PK	D00819	39		31-51-41	SM00044		W	N2	1		
710	24	PK	D00819	43		31-51-41	SM00037		W	N2	1		
711	24	PK	D00819	12		31-51-41	D04349J	21		N2	2		
712	24	PK	D00819	53		31-51-41	D04349J	3		N2	2		
713	24	PK	D00819	20		31-51-41	D04347J	9		N2	2		
714	24	PK	D00819	44		31-51-41	D04349J	24		N2	2		
715	24	PK	D04507J	6		31-51-42	SM00019		W	N2	1		
716	24	PK	D01433	34		31-51-42	SM00019		W	N2	1		
717	24	PK	D01433	37		31-51-42	SM00034		W	N2	1		
718	24	PK	D01433	39		31-51-42	D04509J	2		N2	2		
720	24	PK	D01433	52		31-51-42	SM00040		W	N2	1		
721	24	PK	D01433	38		31-51-42	D04347J	24		N2	2		
722	24	PK	D01433	5		31-51-42	D04349J	22		N2	2		
723	24	PK	D04511J	11		31-51-42	SM00038		W	N2	1		
724	24	PK	D01433	40		31-51-42	SM00038		W	N2	1		
725	24	PK	D01433	3		31-51-42	D04347J	13		N2	2		
726	22	PA	D04347J	14		31-51-21	SM00036		W	N2	1		
727	22	PA	D04301J	11		31-51-21	SM00035		W	N2	1		
728	24	PK	D04347J	1		31-51-41	D00819	35		N2	2		
729	24	PK	D04347J	2		31-51-41	D00819	1		N2	2		
730	24	PK	D04347J	3		31-51-41	D00819	36		N2	2		
731	24	PK	D04347J	4		31-51-41	D00819	2		N2	2		
732	24	PK	D04347J	5		31-51-42	D01433	20		N2	2		
733	24	PK	D04347J	16		34-16-11	D00821	65		N2	2		
734	24	PK	D04347J	8		31-51-31	SM00046		W	N2	1		
735	24	PK	D04507J	7		34-16-11	D00821	34		N2	2		
736	24	PK	D04507J	2		34-16-11	D00821	66		N2	2		
737	24	PK	SM00041		W	34-16-11	D00821	31		N2	1		
738	24	PK	D04347J	19		34-16-11	D00821	7		N2	2		
739	24	PK	SM00075		W	34-16-11	D00821	6		N2	1		
740	24	PK	SM00038		W	34-16-11	D00821	40		N2	1		
741	24	PK	D00821	18		34-16-11	D00821	22		N2	2		
742	24	PK	D00821	50		34-16-11	D00821	48		N2	2		

286T0045-329
Wire Bundle Assembly
Figure 126 (Sheet 15)

25-71-02

TESTING & TROUBLE SHOOTING
01 Page 168U
Nov 01/02

WIRE			FROM EQUIPMENT			TO EQUIPMENT			WIRE INFO				
NUMBER	GA	TYP	NUMBER	TERM	TT	WDM REF	NUMBER	TERM	TT	EMC/SEP	FT	NOTES	EFFECTIVITY
746	24	PK	D04597J	10		31-51-31	SM00043		W	N2	1		
747	24	PK	D01487	46		31-51-31	SM00043		W	N2	1		
748	24	PK	D04347J	7		31-51-31	SM00045		W	N2	1		
749	24	PK	D01487	10		31-51-31	SM00045		W	N2	1		
750	24	PK	D01487	19		31-51-31	SM00046		W	N2	1		
751	24	PK	D01487	13		31-51-31	SM00040		W	N2	1		
752	24	PK	D01487	47		31-51-31	SM00044		W	N2	1		
753	24	PK	D01487	51		31-51-31	SM00041		W	N2	1		
755	24	PV	D01487	1		31-51-31	SM00035		W	N2	1		
755Z			D01487	DED		31-51-31	SM00035	DED		N2			
756	24	PK	D01487	50		31-51-31	SM00036		W	N2	1		
757	24	PK	D01487	11		31-51-31	SM00039		W	N2	1		
758	24	PK	D01487	22		31-51-31	D01489	23		N2	2		
759	24	PK	D01487	55		31-51-31	D01489	47		N2	2		
760	24	PK	D01487	34		31-51-31	D01489	51		N2	2		
761	24	PK	D01487	66		31-51-31	D01489	57		N2	2		
762	24	PK	D00817	10		31-51-32	SM00045		W	N2	1		
763	24	PK	D00817	46		31-51-32	SM00043		W	N2	1		
764	24	PV	D00817	1		31-51-32	SM00035		W	N2	1		
764Z			D00817	DED		31-51-32	SM00035	DED		N2			
765	24	PK	D00817	50		31-51-32	SM00036		W	N2	1		
766	24	PV	D00817	11		31-51-32	SM00053		W	N2	1		
766Z			D00817	DED		31-51-32	SM00053	DED		N2			
767	24	PK	D00817	19		31-51-32	SM00046		W	N2	1		
768	24	PK	D00817	13		31-51-32	SM00040		W	N2	1		
769	24	PK	D00817	47		31-51-32	SM00044		W	N2	1		
770	24	PK	D00817	51		31-51-32	SM00041		W	N2	1		
772	24	PK	D00817	22		31-51-32	D01489	54		N2	2		
773	24	PK	D00817	55		31-51-32	D01489	13		N2	2		
774	24	PK	D00817	34		31-51-32	D01489	25		N2	2		
775	24	PK	D00817	66		31-51-32	D01489	58		N2	2		
776	24	PK	D01489	42		31-51-33	D04347J	15		N2	2		
777	24	PK	D01489	8		31-51-33	D04349J	13		N2	2		

286T0045-329
Wire Bundle Assembly
Figure 126 (Sheet 16)

25-71-02



BOEING
COMPONENT
MAINTENANCE MANUAL

WIRE		FROM EQUIPMENT		TO EQUIPMENT		WIRE INFO							
NUMBER	GA	TYP	NUMBER	TERM	TT	WDM REF	NUMBER	TERM	TT	EMC/SEP	FT	NOTES	EFFECTIVITY
779	24	FK	D01489	35		31-51-33	D04349J	40		N2	2		
780	24	FK	D01489	53		31-51-33	D04349J	2		N2	2		
781	24	FK	D01489	31		31-51-33	D01489	48		N2			
782	24	FK	D01489	18		31-51-33	D01489	22		N2			
783	24	FK	D01489	38		31-51-33	SM00008		W	N2	1		
784	24	FK	D01489	4		31-51-33	SM00011		W	N2	1		
785	24	FK	D01489	37		31-51-33	SM00012		W	N2	1		
786	24	FK	D01489	3		31-51-33	SM00010		W	N2	1		
787	24	FK	D01489	1		31-51-33	SM00009		W	N2	1		
788	24	FK	D01489	6		31-51-33	SM00034		W	N2	1		
789	24	FK	D01489	41		31-51-33	D04509J	11		N2	2		
791	24	FK	D01489	7		31-51-33	D04509J	10		N2	2		
792	24	FK	D01489	40		31-51-33	D04509J	9		N2	2		
793	24	FK	D00819	11		31-51-41	SM00075		W	N2	1		
794	20	PA	D04303J	10		31-51-32	GDX0004	S.	2	N2	2		
795	24	FK	D01433	9		31-51-42	D01433	48		N2			
796	24	FK	D01433	22		31-51-42	D01433	50		N2			
797	24	PV	D00815	41		31-51-21	SM00053		W	N2	1		
797Z			D00815	DED		31-51-21	SM00053	DED		N2			
798	24	PV	D04349J	9		31-51-21	SM00053		W	N2	1		
798Z			D04349J	DED		31-51-21	SM00053	DED		N2			
817	24	FK	D00823	55		27-32-12	D11553	6		N2	2		
818	24	FK	D00823	21		27-32-12	D11553	4		N2	2		
819	24	FK	D00823	51		27-32-12	D11553	3		N2	2		
820	24	FK	D00823	50		27-32-12	D11553	2		N2	2		
821	24	FK	D00823	49		27-32-12	D11553	7		N2	2		
822	24	FK	D00823	47		27-32-12	D11553	8		N2	2		
823	24	FK	D00823	46		27-32-12	D11553	9		N2	2		
824	24	FK	D00823	53		27-32-12	D11553	5		N2	2		
825	24	FK	D00823	62		27-32-12	D11553	24		N2	2		
826	24	FK	D01381	55		27-32-22	D11553	16		N2	2		
827	24	FK	D01381	21		27-32-22	D11553	14		N2	2		
828	24	FK	D01381	51		27-32-22	D11553	13		N2	2		

286T0045-329
Wire Bundle Assembly
Figure 126 (Sheet 17)

25-71-02

WIRE			FROM EQUIPMENT			TO EQUIPMENT			WIRE INFO				
NUMBER	GA	TYP	NUMBER	TERM	TT	WDM REF	NUMBER	TERM	TT	EMC/SEP	FT	NOTES	EFFECTIVITY
829	24	PK	D01381	50		27-32-22	D11553	12		N2	2		
830	24	PK	D01381	49		27-32-22	D11553	17		N2	2		
831	24	PK	D01381	47		27-32-22	D11553	18		N2	2		
832	24	PK	D01381	46		27-32-22	D11553	19		N2	2		
833	24	PK	D01381	53		27-32-22	D11553	15		N2	2		
834	24	PK	D01381	62		27-32-22	D11553	34		N2	2		
835	24	PK	D04349J	50		27-32-21	D01381	64	2	N2	2		
836	20	PA	D04349J	53		27-32-21	GDX0002	S.	W	N2	1		
837	24	PK	D00823	42		27-32-12	SM00082		W	N2	1		
838	24	PK	D01381	42		27-32-22	SM00085		W	N2	1		
862	22	PA	D02261	30		31-41-35	GDX0006	S.	2	N2	1		
863	22	PA	D02261	32		31-41-35	GDX0006	S.	2	N2	1		
864	22	PA	D02261	33		31-41-35	GDX0006	S.	2	N2	1		
865	22	PA	D02261	64		31-41-35	GDX0006	S.	2	N2	1		
866	24	PV	D02261	27		31-51-11	SM00018		W	N2	1		
866Z			D02261	DED		31-51-11	SM00018	REF		N2			
867	24	PV	D02261	28		31-51-11	SM00047		W	N2	1		
867Z			D02261	DED		31-51-11	SM00047	REF		N2			
868	24	PV	D02261	29		31-51-12	SM00054		W	N2	1		
868Z			D02261	DED		31-51-12	SM00054	REF		N2			
869	24	PK	D02261	34		31-51-12	SM00025		W	N2	1		
870	22	PA	D02261	56		31-51-12	GDX0001	S.	2	N2	2		
871	22	PA	D02261	57		31-51-12	GDX0003	S.	2	N2	2		
872	22	PA	D02261	59		31-51-11	GDX0005	S.	2	N2	1		
873	24	PV	D02261	60		31-51-12	SM00055		W	N2	1		
873Z			D02261	DED		31-51-12	SM00055	REF		N2			
874	24	PV	D02261	62		31-51-11	SM00049		W	N2	1		
874Z			D02261	DED		31-51-11	SM00049	REF		N2			
875	24	PV	D02261	63		31-51-12	SM00056		W	N2	1		
875Z			D02261	DED		31-51-12	SM00056	REF		N2			
876	24	PK	D02261	65		31-51-11	SM00022		W	N2	1		
877	24	PV	D00811	14		31-51-11	SM00018		W	N2	2		
877Z			D00811	DED		31-51-11	SM00018	REF		N2			

286T0045-329
Wire Bundle Assembly
Figure 126 (Sheet 18)

25-71-02



BOEING
COMPONENT
MAINTENANCE MANUAL

WIRE			FROM EQUIPMENT			TO EQUIPMENT			WIRE INFO				
NUMBER	GA	TYP	NUMBER	TERM	TT	WDM REF	NUMBER	TERM	TT	EMC/ SEP	FT	NOTES	EFFECTIVITY
878	24	PV	D00811	48		31-51-11	SM00047		W	N2	2		
878Z			D00811	DED		31-51-11	SM00047	REF		N2			
879	24	PV	D00811	23		31-51-11	SM00049		W	N2	2		
879Z			D00811	DED		31-51-11	SM00049	REF		N2			
880	24	PV	D00813	14		31-51-12	SM00054		W	N2	2		
880Z			D00813	DED		31-51-12	SM00054	REF		N2			
881	24	PV	D00813	48		31-51-12	SM00055		W	N2	2		
881Z			D00813	DED		31-51-12	SM00055	REF		N2			
882	24	PV	D00813	23		31-51-12	SM00056		W	N2	2		
882Z			D00813	DED		31-51-12	SM00056	REF		N2			
883	22	PA	D02261	15		38-32-11	D04349J	26		N2	2		
884	22	PA	D02261	47		38-32-11	D04347J	27		N2	2		
885	24	PK	D04303J	9		31-51-21	SM00057		W	N2	1		
886	24	PK	D04507J	3		31-51-21	SM00058		W	N2	1		
887	24	PK	D04507J	1		31-51-21	SM00058		W	N2	1		
888	24	PK	SM00057		W	31-51-21	D04349J	25		N2	1		

286T0045-329
Wire Bundle Assembly
Figure 126 (Sheet 19)

25-71-02

WIRE			FROM EQUIPMENT			TO EQUIPMENT			WIRE INFO				
NUMBER	GA	TYP	NUMBER	TERM	TT	WDM REF	NUMBER	TERM	TT	EMC/SEP	FT	NOTES	EFFECTIVITY
FRA			M01103			31-51-12	M01103	GND	D	N2			
FRB			D00813	REF		31-51-12	D00813	59		N2			
FRC			M01102			31-51-11	M01102	GND	D	N2			
FRD			D00811	REF		31-51-11	D00811	59		N2			
FRG			D04349J	58		31-41-35	D04349J	REF		N2			
FRH			D04349J	61		28-41-11	D04349J	REF		N2			
PA1			D00815	47		99-99-99	D00815	63		N2		DAW-B2	
PA2			D00817	8		99-99-99	D00817	57		N2		DAW-B2	
PA3			D00819	41		99-99-99	D00819	55		N2		DAW-B2	
PA4			D00821	43		99-99-99	D00821	60		N2		DAW-B2	
PA5			D00823	52		99-99-99	D00823	65		N2		DAW-B2	
PA6			D01433	44		99-99-99	D01433	61		N2		DAW-B2	
PA7			D01381	52		99-99-99	D01381	65		N2		DAW-B2	
PA8			D01487	8		99-99-99	D01487	57		N2		DAW-B2	
PA9			D01489	56		99-99-99	D01489	65		N2		DAW-B2	
PA4			D02261	54		99-99-99	D02261	61		N2		DAW-B2	
P01		SE	D11553							N2			
1	22	PA	D00811	60		31-51-11	GDX0001	S..	2	N2	3	UAE-F2	
2	22	PA	D00821	14		31-51-11	GDX0002	D..	2	N2	2		
3	24	PV	D00811	26		31-51-11	D00821	27		N2	3		
003Z			D00811	DED		31-51-11	D00821	REF		N2	3		
4	24	PV	D00811	49		31-51-11	D00821	32		N2	3		
004Z			D00811	DED		31-51-11	D00821	REF		N2	3		
5	24	PV	D00811	35		31-51-11	D00821	17		N2	3		
005Z			D00811	DED		31-51-11	D00821	REF		N2	3		
6	24	PK	D00821	51		31-51-11	SM00022		9	N2	3		
7	24	PK	D00811	65		31-51-11	SM00022		9	N2	3		
8	24	PK	D00819	37		31-51-11	SM00022		9	N2	2		
9	24	PV	D00819	27		31-51-11	D00811	13		N2	3		
009Z			D00819	REF		31-51-11	D00811	DED		N2	2		
01A	24	PK	D04349J	43		31-51-33	D01489	49		N2	2		
10	22	PA	D00819	14		31-51-11	GDX0001	D..	2	N2	2		
11	24	PK	D01433	51		31-51-11	SM00022		9	N2	2		

286T0045-330
Wire Bundle Assembly
Figure 127 (Sheet 1)

25-71-02



BOEING
COMPONENT
MAINTENANCE MANUAL

WIRE			FROM EQUIPMENT			TO EQUIPMENT			WIRE INFO				
NUMBER	GA	TYP	NUMBER	TERM	TT	WDM REF	NUMBER	TERM	TT	EMC/SEP	FT	NOTES	EFFECTIVITY
12	24	PV	SM00018		W	31-51-11	D01433	27		N2	1		
012Z			SM00018	REF		31-51-11	D01433	REF		N2			
13	24	PV	SM00047		W	31-51-11	D01433	32		N2	1		
013Z			SM00047	REF		31-51-11	D01433	REF		N2			
14	24	PV	SM00049		W	31-51-11	D01433	17		N2	1		
014Z			SM00049	REF		31-51-11	D01433	REF		N2			
15	22	PA	D01433	14		31-51-11	GDX0001	D..	2	N2	2		
16	20	PA	SM00028		W	31-51-11	GDX0005	D..	2	N2	2		
17	20	PA	D00821	REF		31-51-11	GDX0002	S..	2	N2	2		
18	20	PA	D00819	REF		31-51-11	GDX0005	S..	2	N2	2		
19	20	PA	D01433	REF		31-51-11	GDX0002	S..	2	N2	2		
20	20	PA	GDX0005	D..	2	31-51-11	SM00029	S..	W	N2	2		
21	20	PA	D01503	REF		31-51-11	GDX0002	S..	2	N2	2		
23	20	PA	D00815	REF		31-51-11	GDX0002	S..	2	N2	2		
24	24	PK	D04349J	38		31-51-11	SM00005	S..	W	N2	1		
25	24	PK	D01503	A2		31-51-11	SM00005	S..	W	N2	1		
26	20	PA	D01503	A3		31-51-11	GDX0003	D..	2	N2	2		
27	22	PQ	D01503	X2		31-51-11	D00811	75		N2	4		
027Z			D01503	REF		31-51-11	D00811	DED		N2			
28	24	PV	D01503	X1		31-51-11	SM00015	REF	W	N2	1		
028Z			D01503	REF		31-51-11	SM00015	REF		N2			
29	24	PV	D00811	46		31-51-11	SM00015	REF	W	N2	2		
029Z			D00811	DED		31-51-11	SM00015	REF		N2			
30	24	PK	D11553	35		31-51-11	SM00015	REF	W	N2	1		
32	20	PA	D11553	11		31-51-11	GDX0003	D..	2	N2	2		
33	24	PK	D11553	37		31-51-11	D00811	34		N2	4		
34	24	PK	D11553	36		31-51-11	D00811	33		N2	4		
35	22	PA	D00815	14		31-51-11	GDX0001	D..	2	N2	2		
36	24	PV	D00815	27		31-51-11	D00811	12		N2	3		
036Z			D00815	REF		31-51-11	D00811	DED		N2			
37	24	PV	D00815	32		31-51-11	D00811	17		N2	3		
037Z			D00815	REF		31-51-11	D00811	DED		N2			
38	24	PV	D00815	17		31-51-11	D00811	22		N2	3		

286T0045-330
Wire Bundle Assembly
Figure 127 (Sheet 2)

25-71-02

WIRE			FROM EQUIPMENT			TO EQUIPMENT			WIRE INFO				
NUMBER	GA	TYP	NUMBER	TERM	TT	WDM REF	NUMBER	TERM	TT	EMC/SEP	FT	NOTES	EFFECTIVITY
038Z			D00815	REF		31-51-11	D00811	DED		N2			
39	24	PK	D00815	54		31-51-11	SM00020		9	N2	3		
40	24	PK	D00811	63		31-51-11	SM00020		9	N2	2		
41	24	PK	D00823	35		31-51-11	SM00020		9	N2	2		
42	24	PK	D01381	35		31-51-11	SM00020		9	N2	2		
45	22	PA	D01381	14		31-51-11	GDX0001	D..	2	N2	2		
46	22	PA	D01381	48		31-51-11	GDX0003	D..	2	N2	2		
47	24	PV	D01381	27		31-51-11	D00811	11		N2	3		
047Z			D01381	REF		31-51-11	D00811	DED		N2			
48	24	PV	D01381	32		31-51-11	D00811	16		N2	3		
048Z			D01381	REF		31-51-11	D00811	DED		N2			
49	24	PV	D01381	17		31-51-11	D00811	21		N2	3		
049Z			D00811	DED		31-51-11	D01381	REF		N2			
52	22	PA	D00823	14		31-51-11	GDX0001	D..	2	N2	2		
53	22	PA	D00823	48		31-51-11	GDX0003	D..	2	N2	2		
54	24	PV	D00823	27		31-51-11	D00811	10		N2	3		
054Z			D00811	DED		31-51-11	D00823	REF		N2			
55	24	PV	D00823	32		31-51-11	D00811	15		N2	3		
055Z			D00811	DED		31-51-11	D00823	REF		N2			
56	24	PV	D00823	17		31-51-11	D00811	20		N2	3		
056Z			D00811	DED		31-51-11	D00823	REF		N2			
57	22	PA	D00817	14		31-51-11	GDX0002	D..	2	N2	2		
58	24	PV	D00817	27		31-51-11	D00811	51		N2	3		
058Z			D00811	DED		31-51-11	D00817	REF		N2			
59	24	PV	D00817	32		31-51-11	D00811	74		N2	3		
059Z			D00811	DED		31-51-11	D00817	REF		N2			
60	24	PK	D00817	45		31-51-11	SM00021		9	N2	2		
61	24	PK	D00811	64		31-51-11	SM00021		9	N2	3		
62	24	PK	D01489	16		31-51-11	SM00021		9	N2	2		
63	24	PK	D01487	45		31-51-11	SM00021		9	N2	2		
64	24	PV	D01487	27		31-51-11	D00811	47		N2	3		
064Z			D00811	DED		31-51-11	D01487	REF		N2			
65	24	PV	D01487	32		31-51-11	D00811	70		N2	3		

286T0045-330
Wire Bundle Assembly
Figure 127 (Sheet 3)

25-71-02



BOEING
COMPONENT
MAINTENANCE MANUAL

WIRE		FROM EQUIPMENT			TO EQUIPMENT			WIRE INFO					
NUMBER	GA	TYP	NUMBER	TERM	TT	WDM REF	NUMBER	TERM	TT	EMC/SEP	FT	NOTES	EFFECTIVITY
065Z			D00811	DED		31-51-11	D01487	REF		N2	2		
66	22	PA	D01487	14		31-51-11	GDX0003	D..	2	N2	2		
67	24	PV	D01489	27		31-51-11	D00811	45		N2	3		
067Z			D00811	DED		31-51-11	D01489	REF		N2			
68	24	PV	D01489	32		31-51-11	D00811	50		N2	3		
068Z			D00811	DED		31-51-11	D01489	REF		N2			
69	24	PV	D01489	17		31-51-11	D00811	36		N2	3		
069Z			D00811	DED		31-51-11	D01489	REF		N2			
70	22	PA	D01489	14		31-51-11	GDX0003	D..	2	N2	2		
71	20	PA	D01391	REF		31-51-11	GDX0002	S..	2	N2	2		
72	20	PA	D00823	REF		31-51-11	GDX0002	S..	2	N2	2		
73	20	PA	D00817	REF		31-51-11	GDX0002	S..	2	N2	2		
74	20	PA	SM00026		W	31-51-11	GDX0005	D..	2	N2	2		
75	20	PA	D01487	REF		31-51-11	GDX0005	S..	2	N2	2		
76	20	PA	GDX0005	S..	2	31-51-11	D01489	REF		N2	2		
77	24	PK	D02261	40		31-41-35	D04349J	1		N2	2		
78	20	PA	SM00027		W	31-51-11	GDX0005	D..	2	N2	2		
79	22	PA	D00813	60		31-51-12	GDX0003	S..	2	N2	3	UAE-F2	
80	22	PA	D00821	15		31-51-12	GDX0002	D..	2	N2	2		
81	24	PV	D00821	30		31-51-12	D00813	26		N2	3		
081Z			D00821	REF		31-51-12	D00813	DED		N2			
82	24	PV	D00821	33		31-51-12	D00813	49		N2	3		
082Z			D00821	REF		31-51-12	D00813	DED		N2			
83	24	PV	D00821	24		31-51-12	D00813	35		N2	3		
083Z			D00821	REF		31-51-12	D00813	DED		N2			
84	24	PK	D00821	19		31-51-12	SM00025		9	N2	3		
85	24	PK	D00813	65		31-51-12	SM00025		9	N2	3		
86	24	PK	D00819	3		31-51-12	SM00025		9	N2	2		
87	24	PK	D01433	18		31-51-12	SM00025		9	N2	2		
88	22	PA	D01433	15		31-51-12	GDX0002	D..	2	N2	2		
89	24	PV	D01433	30		31-51-12	SM00054		W	N2	1		
089Z			SM00054	REF		31-51-12	D01433	REF		N2			
90	24	PV	D01433	33		31-51-12	SM00055		W	N2	1		

286T0045-330
Wire Bundle Assembly
Figure 127 (Sheet 4)

25-71-02

WIRE			FROM EQUIPMENT			TO EQUIPMENT			WIRE INFO					
NUMBER	GA	TYP	NUMBER	TERM	TT	WDM	REF	NUMBER	TERM	TT	EMC/ SEP	FT	NOTES	EFFECTIVITY
090Z			SM00055	REF		31-51-12	D01433	D01433	REF		N2	1		
91	24	PV	D01433	24		31-51-12	SM00056			W	N2			
091Z			SM00056	REF		31-51-12	D01433		REF		N2	2		
92	22	PA	D00819	15		31-51-12	GDX0002		D..	2	N2			
93	24	PV	D00819	30		31-51-12	D00813		13		N2	3		
093Z			D00813	DED		31-51-12	D00819		REF		N2			
94	20	PA	SM00032		W	31-51-12	GDX0005		D..	2	N2			
95	24	PV	D01505	X2		31-51-12	D00813		75		N2	3		
095Z			D00813	DED		31-51-12	D01505		REF		N2			
96	24	PV	D01505	X1		31-51-12	SM00016			W	N2	1		
096Z			SM00016	REF		31-51-12	D01505		REF		N2			
97	24	PV	D00813	46		31-51-12	SM00016			W	N2	2		
097Z			SM00016	REF		31-51-12	D00813		DED		N2			
98	20	PA	SM00033		W	31-51-12	GDX0005		D..	2	N2			
99	24	PK	SM00016		W	31-51-12	D11553		25		N2	1		
10A	24	PK	D01489	21		31-51-33	D04349J		23		N2	2		
100	20	PA	D11553	1		31-51-12	GDX0003		D..	2	N2	2		
101	20	PA	D00821	REF		31-51-12	GDX0004		S..	2	N2	2		
102	20	PA	D00819	REF		31-51-12	GDX0004		S..	2	N2	2		
103	20	PA	D01433	REF		31-51-12	GDX0004		S..	2	N2	2		
104	20	PA	D01505	REF		31-51-12	GDX0005		S..	2	N2	2		
106	20	PA	D00815	REF		31-51-12	GDX0004		S..	2	N2	2		
107	20	PA	D01381	REF		31-51-12	GDX0004		S..	2	N2	2		
109	20	PA	D00817	REF		31-51-12	GDX0004		S..	2	N2	2		
110	20	PA	D01487	REF		31-51-12	GDX0001		S..	2	N2	2		
111	20	PA	D01489	REF		31-51-12	GDX0001		S..	2	N2	2		
112	22	PA	D00815	15		31-51-12	GDX0001		D..	2	N2	2		
113	24	PK	D01505	A2		31-51-12	SM00005			W	N2	1		
114	20	PA	D01505	A3		31-51-12	GDX0003		D..	2	N2	2		
115	24	PK	D02261	21		21-61-51	D04347J		25		N2	2		
116	24	PK	D00815	21		31-51-12	SM00023			9	N2	3		
117	24	PK	D00813	63		31-51-12	SM00023			9	N2	2		
118	24	PK	D00823	1		31-51-12	SM00023			9	N2	2		

286T0045-330
Wire Bundle Assembly
Figure 127 (Sheet 5)

25-71-02



BOEING
COMPONENT
MAINTENANCE MANUAL

WIRE			FROM EQUIPMENT			TO EQUIPMENT			WIRE INFO				
NUMBER	GA	TYP	NUMBER	TERM	TT	WDM REF	NUMBER	TERM	TT	EMC/SEP	FT	NOTES	EFFECTIVITY
119	24	PK	D01381	1		31-51-12	SM00023		9	N2	2		
120	22	PA	D01381	15		31-51-12	GDX0001	D..	2	N2	2		
121	24	PK	D00817	56		31-51-12	SM00024		9	N2	3		
122	24	PK	D00813	64		31-51-12	SM00024		9	N2	2		
123	24	PK	D01487	56		31-51-12	SM00024		2	N2	2		
124	22	PA	D00823	15		31-51-12	GDX0001	D..	2	N2	2		
125	20	PA	D00823	REF		31-51-12	GDX0004	S..	2	N2	2		
126	24	PV	D00823	33		31-51-12	D00813	15	2	N2	3		
126Z			D00823	REF		31-51-12	D00813	DED		N2			
127	24	PV	D00823	24		31-51-12	D00813	20	2	N2	3		
127Z			D00823	REF		31-51-12	D00813	DED		N2			
128	22	PA	D00817	15		31-51-12	GDX0002	D..	2	N2	2		
129	24	PV	D00817	30		31-51-12	D00813	51	2	N2	3		
129Z			D00817	REF		31-51-12	D00813	DED		N2			
130	24	PV	D00817	33		31-51-12	D00813	74	2	N2	3		
130Z			D00817	REF		31-51-12	D00813	DED		N2			
131	24	PV	D00813	11		31-51-12	D01381	30	2	N2	3		
131Z			D01381	REF		31-51-12	D00813	DED		N2			
132	24	PV	D00813	16		31-51-12	D01381	33	2	N2	3		
132Z			D01381	REF		31-51-12	D00813	DED		N2			
133	24	PV	D01381	24		31-51-12	D00813	21	2	N2	3		
133Z			D01381	REF		31-51-12	D00813	DED		N2			
134	24	PK	D01489	50		31-51-12	SM00024		9	N2	2		
135	24	PV	D01487	30		31-51-12	D00813	47	2	N2	3		
135Z			D01487	REF		31-51-12	D00813	DED		N2			
136	24	PV	D01487	33		31-51-12	D00813	70	2	N2	3		
136Z			D01487	REF		31-51-12	D00813	DED		N2			
137	22	PA	D01487	15		31-51-12	GDX0003	D..	2	N2	2		
138	24	PV	D01489	30		31-51-12	D00813	45	2	N2	3		
138Z			D01489	REF		31-51-12	D00813	DED		N2			
139	24	PV	D01489	33		31-51-12	D00813	50	2	N2	3		
139Z			D01489	REF		31-51-12	D00813	DED		N2			
140	24	PV	D01489	24		31-51-12	D00813	36	2	N2	3		

286T0045-330
Wire Bundle Assembly
Figure 127 (Sheet 6)

25-71-02

WIRE			FROM EQUIPMENT			TO EQUIPMENT			WIRE INFO				
NUMBER	GA	TYP	NUMBER	TERM	TT	WDM REF	NUMBER	TERM	TT	EMC/SEP	FT	NOTES	EFFECTIVITY
140Z			D01489	REF		31-51-12	D00813	DED		N2			
141	22	PA	D01489	15		31-51-12	GDX0003	D..	2	N2	2		
142	24	PK	D00813	33		31-51-12	D11553	26		N2	3		
143	24	PK	D11553	27		31-51-12	D00813	34		N2	3		
144	24	PV	D00813	12		31-51-12	D00815	30		N2	3		
144Z			D00813	DED		31-51-12	D00815	REF		N2			
145	20	PA	SM00030		W	31-51-12	GDX0005	D..	2	N2			
146	24	FV	D00813	17		31-51-12	D00815	33		N2	3		
146Z			D00813	DED		31-51-12	D00815	REF		N2			
147	24	PV	D00813	22		31-51-12	D00815	24		N2	3		
147Z			D00813	DED		31-51-12	D00815	REF		N2			
148	24	PV	D00813	10		31-51-12	D00823	30		N2	3		
148Z			D00813	DED		31-51-12	D00823	REF		N2			
149	20	PA	SM00031		W	31-51-12	GDX0005	D..	2	N2			
150	22	PA	D04301J	6		27-32-11	D00823	34		N2	2		
151	24	PK	D04509J	1		27-32-11	D00823	39		N2	2		
152	24	PK	D04347J	26		27-32-11	D00823	40		N2	2		
153	24	PK	D00823	31		27-32-11	D04509J	6		N2	2		
154	20	PA	D04509J	7		27-32-11	GDX0001	D..	2	N2	2		
155	24	PK	SM00037		W	27-32-11	D04511J	3		N2	1		
156	24	PK	D00823	38		27-32-11	D04511J	2		N2	2		
157	24	PK	D04511J	4		27-32-11	SM00050		W	N2	1		
158	24	PK	SM00037		W	27-32-11	D00823	4		N2	1		
159	24	PK	D04349J	14		27-32-11	D00823	36		N2	1		
160	24	PK	D04349J	15		27-32-11	D00823	3		N2	1		
161	24	PK	D04349J	16		27-32-11	D00823	43		N2	1		
162	24	PK	D04349J	10		27-32-11	D00823	2		N2	1		
165	22	PA	D04349J	11		27-32-21	D01381	34		N2	2		
166	24	PK	D01381	40		27-32-21	D04349J	6		N2	2		
167	24	PK	D01381	31		27-32-21	D04511J	7		N2	2		
168	20	PA	GDX0002	D..	2	27-32-21	D04511J	8		N2	2		
169	24	PK	D04349J	34		27-32-21	D01381	36		N2	2		
170	24	PK	D04349J	35		27-32-21	D01381	3		N2	2		

286T0045-330
Wire Bundle Assembly
Figure 127 (Sheet 7)

25-71-02



BOEING
COMPONENT
MAINTENANCE MANUAL

WIRE			FROM EQUIPMENT				TO EQUIPMENT				WIRE INFO			
NUMBER	GA	TYP	NUMBER	TERM	TT	WDM REF	NUMBER	TERM	TT	EMC/SEP	FT	NOTES	EFFECTIVITY	
171	24	PK	D04349J	36		27-32-21	D01381	43		N2	2			
172	24	PK	D04349J	37		27-32-21	D01381	2		N2	2			
173	24	PK	D04511J	13		27-32-21	D01381	4		N2	2			
174	24	PK	D04511J	16		27-32-21	D01381	37		N2	2			
175	24	PK	D04511J	15		27-32-21	D01381	38		N2	2			
176	24	PK	D04509J	8		27-32-21	D01381	39		N2	2			
177	24	PK	D00815	34		31-51-21	SM00057		9	N2	2			
178	24	PK	D00815	43		31-51-21	D01433	19		N2	2			
179	24	PK	D00815	10		31-51-21	D00819	5		N2	2			
180	24	PK	D04507J	5		31-51-21	SM00034		9	N2	2			
181	24	PK	SM00058		9	31-51-21	D00815	66		N2	2			
182	24	PK	D00815	4		31-51-21	SM00034		9	N2	2			
183	24	PK	D00815	11		31-51-21	D04349J	39		N2	2			
184	22	PA	D00815	37		31-51-21	SM00035		9	N2	2			
185	22	PA	D00815	42		31-51-21	SM00036		9	N2	2			
186	24	PK	D04349J	5		31-51-21	SM00012		9	N2	2			
187	24	PK	D00815	2		31-51-21	SM00012		9	N2	3			
188	24	PK	SM00011		9	31-51-21	D04349J	4		N2	2			
189	24	PK	SM00011		9	31-51-21	D00815	35		N2	3			
190	24	PK	D04349J	12		31-51-21	SM00009		9	N2	2			
191	24	PK	D00815	44		31-51-21	SM00009		9	N2	3			
192	24	PK	D04347J	10		31-51-21	SM00008		9	N2	2			
193	24	PK	D00815	1		31-51-21	SM00008		9	N2	3			
194	24	PK	D04347J	11		31-51-21	SM00010		9	N2	2			
195	24	PK	D00815	36		31-51-21	SM00010		9	N2	3			
196	24	PK	SM00039		9	31-51-21	D04347J	21		N2	2			
197	24	PK	D00815	45		31-51-21	SM00039		9	N2	2			
198	24	PK	D00815	46		31-51-21	D04347J	6		N2	2			
199	20	PA	GDX0004	S..	2	31-51-31	D04597J	14		N2	2			
201B	24	PW	D01489	43		31-51-33	SM00004		9	N2	2			
201R	24	PW	D01489	9		31-51-33	SM00003		9	N2	2			
201Z			D01489	DED		31-51-33	SM00003	REF		N2	2			
204	20	PA	D04507J	REF		27-32-11	GDX0006	S..	2	N2	1		VS701-VS701	

286T0045-330
Wire Bundle Assembly
Figure 127 (Sheet 8)

25-71-02

WIRE		FROM EQUIPMENT			TO EQUIPMENT			WIRE INFO					
NUMBER	GA	TYP	NUMBER	TERM	TT	WDM REF	NUMBER	TERM	TT	EMC/SEP	FT	NOTES	EFFECTIVITY
204	20	PA	D04507J	REF		27-32-11	GDX0006	S..	2	N2	1		VS702-VS720 VS751-VS800
204B	24	PW	D00823	18		27-32-11	D04507J	12		N2	1	CCF-F2	VS701-VS701
204B	24	PW	D04507J	12		27-32-11	D00823	18		N2	1	CB9-F2	VS702-VS720 VS751-VS800
204R	24	PW	D00823	16		27-32-11	D04507J	11		N2			VS701-VS701
204R	24	PW	D04507J	11		27-32-11	D00823	16		N2			VS702-VS720 VS751-VS800
204Z			D00823	DED		27-32-11	D04507J	REF		N2			VS701-VS701
204Z			D04507J	REF		27-32-11	D00823	DED		N2			VS702-VS720 VS751-VS800
205B	24	PW	D00815	19		31-51-21	SM00007		9	N2	3		
205R	24	PW	D00815	52		31-51-21	SM00006		9	N2			
205Z			D00815	DED		31-51-21	SM00006	REF		N2			
207	20	PA	D04597J	REF		31-51-21	GDX0006	S..	2	N2	1		VS701-VS701
207	20	PA	D04597J	REF		31-51-21	GDX0006	S..	2	N2	1		VS702-VS720 VS751-VS800
207B	24	PW	SM00007	4	9	31-51-21	D04597J	4	9	N2	2	CCF-F2	VS701-VS701
207B	24	PW	D04597J	4		31-51-21	SM00007		9	N2	2	CB9-F2	VS702-VS720 VS751-VS800
207R	24	PW	SM00006	3	9	31-51-21	D04597J	3	9	N2			VS701-VS701
207R	24	PW	D04597J	3		31-51-21	SM00006		9	N2			VS702-VS720 VS751-VS800
207Z			SM00006	REF		31-51-21	D04597J	REF		N2			VS701-VS701
207Z			D04597J	REF		31-51-21	SM00006	REF		N2			VS702-VS720 VS751-VS800
208	20	PA	D04301J	REF		34-16-11	GDX0002	S..	2	N2	1		VS701-VS701
208	20	PA	D04301J	REF		34-16-11	GDX0002	S..	2	N2	1		VS702-VS720 VS751-VS800
208B	24	PW	D00821	36		34-16-11	D04301J	9		N2	2	CCF-F2	VS701-VS701
208B	24	PW	D04301J	9		34-16-11	D00821	36		N2	2	CB9-F2	VS702-VS720 VS751-VS800
208R	24	PW	D00821	2		34-16-11	D04301J	8		N2			VS701-VS701
208R	24	PW	D04301J	8		34-16-11	D00821	2		N2			VS702-VS720 VS751-VS800
208Z			D00821	DED		34-16-11	D04301J	REF		N2			VS701-VS701
208Z			D04301J	REF		34-16-11	D00821	DED		N2			VS702-VS720 VS751-VS800
209B	24	PW	D01489	46		31-51-33	SM00007		9	N2			
209R	24	PW	D01489	12		31-51-33	SM00006		9	N2			
209Z			D01489	DED		31-51-33	SM00006	REF		N2			
212B	24	PW	D01433	36		31-51-42	SM00007		9	N2	2		
212R	24	PW	D01433	2		31-51-42	SM00006		9	N2			
212Z			D01433	DED		31-51-42	SM00006	REF		N2			
213	20	PA	D04507J	REF		34-16-11	GDX0006	S..	2	N2	1		VS701-VS701

286T0045-330
Wire Bundle Assembly
Figure 127 (Sheet 9)

25-71-02



BOEING
COMPONENT
MAINTENANCE MANUAL

WIRE		FROM EQUIPMENT			TO EQUIPMENT			WIRE INFO					
NUMBER	GA	TYP	NUMBER	TERM	TT	WDM REF	NUMBER	TERM	TT	EMC/SEP	FT	NOTES	EFFECTIVITY
213	20	PA	D04507J	REF		34-16-11	GDX0006	S..	2	N2	1		VS702-VS720 VS751-VS800
213B	24	PW	D00821	35		34-16-11	D04507J	8		N2	2	CCF-T2	VS701-VS701
213B	24	PW	D04507J	8		34-16-11	D00821	35		N2	2	CB9-F2	VS702-VS720 VS751-VS800
213R	24	PW	D00821	1		34-16-11	D04507J	9		N2			VS701-VS701
213R	24	PW	D04507J	9		34-16-11	D00821	1		N2			VS702-VS720 VS751-VS800
213Z			D00821	DED		34-16-11	D04507J	REF		N2			VS701-VS701
213Z			D04507J	REF		34-16-11	D00821	DED		N2			VS702-VS720 VS751-VS800
214	20	PA	D04349J	REF		34-16-11	GDX0006	S..	2	N2	1		VS701-VS701
214	20	PA	D04349J	REF		34-16-11	GDX0006	S..	2	N2	1		VS702-VS720 VS751-VS800
214B	24	PW	D00821	37		34-16-11	D04349J	19		N2	2	CCF-T2	VS701-VS701
214B	24	PW	D04349J	19		34-16-11	D00821	37		N2	2	CB9-F2	VS702-VS720 VS751-VS800
214R	24	PW	D00821	3		34-16-11	D04349J	18		N2			VS701-VS701
214R	24	PW	D04349J	18		34-16-11	D00821	3		N2			VS702-VS720 VS751-VS800
214Z			D00821	DED		34-16-11	D04349J	REF		N2			VS701-VS701
214Z			D04349J	REF		34-16-11	D00821	DED		N2			VS702-VS720 VS751-VS800
215B	24	PL	D01487	24		31-51-31	D04597J	12		N2	2		
215R	24	PL	D01487	23		31-51-31	D04597J	13		N2			
216B	24	PL	D00817	24		31-51-32	D04303J	12		N2	2		
216R	24	PL	D00817	23		31-51-32	D04303J	11		N2			
221B	24	PW	D01489	45		31-51-33	SM00004		9	N2			
221R	24	PW	D01489	11		31-51-33	SM00003		9	N2			
221Z			D01489	DED		31-51-33	SM00003	REF		N2			
223B	24	PW	D00821	38		34-16-11	SM00004		9	N2	2		
223R	24	PW	D00821	4		34-16-11	SM00003		9	N2			
223Z			D00821	DED		34-16-11	SM00003	REF		N2			
224	20	PA	D04349J	REF		27-32-21	GDX0006	S..	2	N2	1		VS701-VS701
224B	24	PW	D04349J	28		27-32-21	D01381	18		N2	2	CCF-F2	VS702-VS720 VS751-VS800
224B	24	PW	D04349J	28		27-32-21	D01381	18		N2	2	CB9-F2	
224R	24	PW	D04349J	27		27-32-21	D01381	16		N2			
224Z			D04349J	REF		27-32-21	D01381	DED		N2			
225B	22	PR	D00811	69		31-51-11	SM00060		W	N2	2		
225R	22	PR	D00811	68		31-51-11	SM00060		W	N2			
225Z			D00811	DED		31-51-11	SM00028	REF		N2			

286T0045-330
Wire Bundle Assembly
Figure 127 (Sheet 10)

25-71-02

WIRE			FROM EQUIPMENT			TO EQUIPMENT			WIRE INFO				
NUMBER	GA	TYP	NUMBER	TERM	TT	WDM REF	NUMBER	TERM	TT	EMC/ SEP	FT	NOTES	EFFECTIVITY
226B	22	PR	D00813	69		31-51-12	SM00061		W	N2	2		
226R	22	PR	D00813	68		31-51-12	SM00061		W	N2			
226Z			D00813	DED		31-51-12	SM00030	REF		N2			
230	20	PA	D04347J	REF		31-51-33	GDX0006	S..	2	N2	1	CCF-F2	VS701-VS701
230B	24	PW	D04347J	18		31-51-33	SM00004		9	N2	2	CB9-F2	VS702-VS720 VS751-VS800
230B	24	PW	D04347J	18		31-51-33	SM00004		9	N2	2		
230R	24	PW	D04347J	17		31-51-33	SM00003	REF	9	N2			
230Z			D04347J	REF		31-51-33	SM00003	REF		N2			
236	20	PA	D04347J	REF		27-32-11	GDX0006	S..	2	N2	1		VS701-VS701
236	20	PA	D04347J	REF		27-32-11	GDX0006	S..	2	N2	1		VS702-VS720 VS751-VS800
236B	24	PW	D04347J	37		27-32-11	D00823	54	2	N2	2	CCF-F2	VS701-VS701
236B	24	PW	D04347J	37		27-32-11	D00823	54	2	N2	2	CCF-F2	VS702-VS720 VS751-VS800
236R	24	PW	D04347J	36		27-32-11	D00823	23	2	N2		CB9-F2	VS701-VS701
236R	24	PW	D04347J	36		27-32-11	D00823	23	2	N2			VS702-VS720 VS751-VS800
236Z			D04347J	REF		27-32-11	D00823	DED		N2			VS701-VS701
236Z			D04347J	REF		27-32-11	D00823	DED	2	N2	1		VS702-VS720 VS751-VS800
237B	24	PW	D04347J	40		27-32-11	D00823	13	2	N2	2		
237R	24	PW	D04347J	39		27-32-11	D00823	12	2	N2			
237Z			D04347J	REF		27-32-11	D00823	DED		N2			
238	20	PA	D04349J	REF		27-32-21	GDX0006	S..	2	N2	1		
238B	24	PW	D04349J	49		27-32-21	D01381	54	2	N2	2	CCF-F2	VS701-VS701
238B	24	PW	D04349J	49		27-32-21	D01381	54	2	N2	2	CCF-F2	VS702-VS720 VS751-VS800
238R	24	PW	D04349J	48		27-32-21	D01381	23	2	N2			
238Z			D04349J	REF		27-32-21	D01381	DED		N2			
239B	24	PW	D01381	20		27-32-21	D04349J	55	2	N2	2		
239R	24	PW	D01381	19		27-32-21	D04349J	54	2	N2			
239Z			D01381	DED		27-32-21	D04349J	REF		N2			
240B	24	PL	D04347J	23		31-51-31	SM00080		9	N2	2		
240R	24	PL	D04347J	22		31-51-31	SM00042		9	N2			
241B	24	PL	D01487	60		31-51-31	SM00080		9	N2			
241R	24	PL	D01487	28		31-51-31	SM00042		9	N2			
242B	24	PL	D00817	60		31-51-32	SM00080		9	N2	2		
242R	24	PL	D00817	28		31-51-32	SM00042		9	N2			

286T0045-330
Wire Bundle Assembly
Figure 127 (Sheet 11)

25-71-02



BOEING
COMPONENT
MAINTENANCE MANUAL

WIRE			FROM EQUIPMENT			TO EQUIPMENT			WIRE INFO				
NUMBER	GA	TYP	NUMBER	TERM	TT	WDM REF	NUMBER	TERM	TT	EMC/SEP	FT	NOTES	EFFECTIVITY
243B	24	PW	D04349J	52		27-32-21	D01381	13		N2	2		
243R	24	PW	D04349J	51		27-32-21	D01381	12		N2			
243Z	24	PW	D04349J	REF		27-32-21	D01381	DED		N2			
245B	24	PW	D00823	20		27-32-11	D04347J	48		N2	2		
245R	24	PW	D00823	19		27-32-11	D04347J	47		N2			
245Z			D00823	DED		27-32-11	D04347J	REF		N2			
247	20	PA	D04349J	REF		31-41-35	GDX0006	S..	2	N2	1		VS701-VS701
247	20	PA	D04349J	REF		31-41-35	GDX0006	S..	2	N2	1		VS702-VS720 VS751-VS800
247B	24	PW	D02261	42		31-41-35	D04349J	57		N2	2	CCF-T2	VS701-VS701
247B	24	PW	D04349J	57		31-41-35	D02261	42		N2	2	CB9-F2	VS702-VS720 VS751-VS800
247R	24	PW	D02261	43		31-41-35	D04349J	56		N2			VS701-VS701
247R	24	PW	D04349J	56		31-41-35	D02261	43		N2			VS702-VS720 VS751-VS800
247Z			D02261	DED		31-41-35	D04349J	REF		N2			VS701-VS701
247Z			D04349J	REF		31-41-35	D02261	DED		N2			VS702-VS720 VS751-VS800
248	20	PA	D04349J	REF		28-41-11	GDX0006	S..	2	N2	1		VS701-VS701
248	20	PA	D04349J	REF		28-41-11	GDX0006	S..	2	N2	1		VS702-VS720 VS751-VS800
248B	24	PW	D02261	5		28-41-11	D04349J	60		N2	2	CCF-T2	VS701-VS701
248B	24	PW	D04349J	60		28-41-11	D02261	5		N2	2	CB9-F2	VS702-VS720 VS751-VS800
248R	24	PW	D02261	8		28-41-11	D04349J	59		N2			VS701-VS701
248R	24	PW	D04349J	59		28-41-11	D02261	8		N2			VS702-VS720 VS751-VS800
248Z			D02261	DED		28-41-11	D04349J	REF		N2			VS701-VS701
248Z			D04349J	REF		28-41-11	D02261	DED		N2			VS702-VS720 VS751-VS800
271B	24	PL	D04597J	5		31-51-31	SM00088		9	N2	2		
271R	24	PL	D04597J	2		31-51-31	SM00087		9	N2			
272B	24	PL	D01487	63		31-51-31	SM00088		9	N2			
272R	24	PL	D01487	62		31-51-31	SM00087		9	N2			
273B	24	PL	D00817	63		31-51-32	SM00088		9	N2	2		
273R	24	PL	D00817	62		31-51-32	SM00087		9	N2			
289			DELETED							N2			
290B	24	PW	D04597J	8		34-43-15	SM00104		W	N2	1		
290R	24	PW	D04597J	7		34-43-15	SM00103		W	N2			
290Z			D04597J	9		34-43-15	SM00103	REF		N2			
291B	24	PW	D04303J	4		34-43-15	SM00104		W	N2	1		

286T0045-330
Wire Bundle Assembly
Figure 127 (Sheet 12)

25-71-02

WIRE			FROM EQUIPMENT			TO EQUIPMENT			WIRE INFO				
NUMBER	GA	TYP	NUMBER	TERM	TT	WDM REF	NUMBER	TERM	TT	EMC/SEP	FT	NOTES	EFFECTIVITY
291R	24	PW	D04303J	3		34-43-15	SM00103		W	N2			
291Z			D04303J	5		34-43-15	SM00103	REF		N2			
292B	24	PW	D04347J	53		34-43-15	SM00104		W	N2	1		
292R	24	PW	D04347J	51		34-43-15	SM00103		W	N2			
292Z			D04347J	61		34-43-15	SM00103	REF		N2			
301	20	PA	SM00028	REF		31-51-11	GDX0005	S..	2	N2	1		
301B	22	PS	D00811	57		31-51-11	SM00028		W	N2	2		
301R	22	PS	D00811	38		31-51-11	SM00028		W	N2			
301Y	22	PS	D00811	58		31-51-11	SM00028		W	N2			
301Z			D00811	DED		31-51-11	SM00028	REF		N2			
302B	22	PS	D00811	42		31-51-11	SM00029		W	N2	2		
302R	22	PS	D00811	41		31-51-11	SM00029		W	N2			
302Y	22	PS	D00811	43		31-51-11	SM00029		W	N2			
302Z			D00811	DED		31-51-11	SM00028	REF		N2			
303B	22	PS	D00811	8		31-51-11	SM00026		W	N2	2		
303R	22	PS	D00811	7		31-51-11	SM00026		W	N2			
303Y	22	PS	D00811	9		31-51-11	SM00026		W	N2			
303Z			D00811	DED		31-51-11	SM00028	REF		N2			
304B	22	PS	D00811	25		31-51-11	SM00027		W	N2	2		
304R	22	PS	D00811	24		31-51-11	SM00027		W	N2			
304Y	22	PS	D00811	37		31-51-11	SM00027		W	N2			
304Z			D00811	DED		31-51-11	SM00028	REF		N2			
305	20	PA	SM00030	REF		31-51-12	GDX0005	S..	2	N2	1		
305B	22	PS	D00813	8		31-51-12	SM00030		W	N2	2		
305R	22	PS	D00813	7		31-51-12	SM00030		W	N2			
305Y	22	PS	D00813	9		31-51-12	SM00030		W	N2			
305Z			D00813	DED		31-51-12	SM00030	REF		N2			
306B	22	PS	D00813	25		31-51-12	SM00031		W	N2	2		
306R	22	PS	D00813	24		31-51-12	SM00031		W	N2			
306Y	22	PS	D00813	37		31-51-12	SM00031		W	N2			
306Z			D00813	DED		31-51-12	SM00030	REF		N2			
307B	22	PS	D00813	57		31-51-12	SM00032		W	N2	2		
307R	22	PS	D00813	38		31-51-12	SM00032		W	N2			

286T0045-330
Wire Bundle Assembly
Figure 127 (Sheet 13)

25-71-02



BOEING
COMPONENT
MAINTENANCE MANUAL

WIRE		FROM EQUIPMENT			TO EQUIPMENT			WIRE INFO					
NUMBER	GA	TYP	NUMBER	TERM	TT	WDM REF	NUMBER	TERM	TT	EMC/SEP	FT	NOTES	EFFECTIVITY
307Y	22	PS	D00813	58		31-51-12	SM00032		W	N2			
307Z			D00813	DED		31-51-12	SM00030	REF		N2	2		
308B	22	PS	D00813	42		31-51-12	SM00033		W	N2			
308R	22	PS	D00813	41		31-51-12	SM00033		W	N2			
308Y	22	PS	D00813	43		31-51-12	SM00033		W	N2			
308Z			D00813	DED		31-51-12	SM00030	REF		N2			
512	24	PK	D02261	20		27-81-31	D04349J	8		N2	2		
601	20	PA	SM00060		W	31-51-11	GDX0004	D..	2	N2			
602	20	PA	SM00061		W	31-51-12	GDX0005	D..	2	N2			
603	24	PV	D04301J	5		31-51-12	M01103	INE	D	N2	1		
603Z			D04301J	DED		31-51-12	M01103			N2			
604	24	PV	D04301J	4		31-51-12	D00813	4		N2	3		
604Z			D04301J	DED		31-51-12	D00813	REF		N2			
605	24	PV	D00813	1		31-51-12	M01103	OAD	D	N2	3		
605Z			D00813	REF		31-51-12	M01103	DED		N2			
606	24	PV	D04349J	32		31-51-11	M01102	INE	D	N2	1		
606Z			D04349J	DED		31-51-11	M01102			N2			
607	24	PV	D04349J	33		31-51-11	D00811	4		N2	3		
607Z			D04349J	DED		31-51-11	D00811	REF		N2			
608	24	PV	D00811	1		31-51-11	M01102	OAD	D	N2	3		
608Z			D00811	REF		31-51-11	M01102	DED		N2			
610	24	PK	D00823	37		27-32-11	SM00050		W	N2	1		
611	24	PK	D01433	6		31-51-42	D04347J	20		N2	2		
612	24	PK	D01433	4		31-51-42	SM00050		W	N2	1		
613	24	PK	D04349J	30		31-51-31	SM00065		9	N2	2		
614	24	PK	D01487	52		31-51-31	SM00065		9	N2			
615	24	PK	D00817	52		31-51-32	SM00065		9	N2	2		
617	24	PK	D01381	11		27-32-12	D00823	56		N2	1		
618	24	PK	D01381	56		27-32-12	D00823	11		N2	1		
619	24	PK	D00823	45		27-32-12	SM00082		W	N2	1		
620	24	PK	D04349J	29		31-51-21	SM00071		9	N2	2		
621	24	PK	D00815	7		31-51-21	SM00071		9	N2	3		
622	24	PK	D01489	2		31-51-33	SM00071		9	N2			

286T0045-330
Wire Bundle Assembly
Figure 127 (Sheet 14)

25-71-02

WIRE			FROM EQUIPMENT			TO EQUIPMENT			WIRE INFO				
NUMBER	GA	TYP	NUMBER	TERM	TT	WDM REF	NUMBER	TERM	TT	EMC/SEP	FT	NOTES	EFFECTIVITY
623	24	PK	D01489	36		31-51-33	SM00038		9	N2	2		
624	24	PK	D00815	8		31-51-21	SM00045		9	N2	2		
625	24	PK	D01487	9		31-51-31	SM00034		9	N2	2		
628			DELETED							N2			
630	24	PK	D00817	9		31-51-32	SM00034		9	N2	2		
634			DELETED							N2			
636			DELETED							N2			
644	22	PQ	D00823	66		27-32-31	D04347J	42		N2	2		
644Z			D00823	DED		27-32-31	D04347J	DED		N2			
646	22	PQ	D01381	66		27-32-31	D04349J	42		N2	2		
646Z			D01381	DED		27-32-31	D04349J	DED		N2			
648	24	PK	D00821	40		34-16-11	D04347J	32	9	N2	2		
649	24	PK	D04347J	33		31-51-43	SM00038			N2	2		
681	24	PK	D01433	10		31-51-43	D04507J	10		N2	2		
682	24	PK	D01433	13		31-51-43	D04347J	46		N2	2		
683	22	PA	D01433	41		31-51-43	SM00081		W	N2	1		
684	20	PA	GDX0001	D..	2	31-51-43	D04349J	47		N2	2		
685	24	PK	D00823	58		27-32-12	D01505	A1		N2	2		
686	24	PK	D00823	8		27-32-11	SM00038		9	N2	2		
687	24	PK	D00823	64		27-32-11	SM00081		W	N2	1		
688	24	PK	D01381	58		27-32-22	D01503	A1		N2	2		
689	24	PK	D01381	45		27-32-22	SM00085		W	N2	1		
692	24	PK	D01381	8		27-32-21	SM00038		9	N2	2		
693	24	PK	D04347J	30		31-51-21	D00815	6		N2	2		
694	22	PA	D04349J	46		31-51-43	SM00081		W	N2	1		
696	20	PA	GDX0003	D..	2	27-32-12	SM00082		W	N2	1		
697	20	PA	GDX0003	D..	2	27-32-22	SM00085		W	N2	1		
701	24	PK	D00815	49		31-51-21	D00815	22		N2			
702	24	PK	D00815	16		31-51-21	D00815	48		N2			
703	24	PK	D00819	6		31-51-41	SM00019		W	N2	1		
704	24	PK	SM00075		9	31-51-41	D04511J	14		N2	2		
705	24	PK	D00819	45		31-51-41	D04511J	12		N2	2		

286T0045-330
Wire Bundle Assembly
Figure 127 (Sheet 15)

25-71-02



BOEING
COMPONENT
MAINTENANCE MANUAL

WIRE		FROM EQUIPMENT			TO EQUIPMENT			WIRE INFO					
NUMBER	GA	TYP	NUMBER	TERM	TT	WDM REF	NUMBER	TERM	TT	EMC/SEP	FT	NOTES	EFFECTIVITY
706	24	PK	D00819	10		31-51-41	D04349J	31		N2	2		
707	24	PK	D00819	21		31-51-41	D04509J	4		N2	2		
708	24	PK	D00819	9		31-51-41	D04349J	7		N2	2		
709	24	PK	D00819	39		31-51-41	SM00044		9	N2	2		
710	24	PK	D00819	43		31-51-41	SM00037		W	N2	1		
711	24	PK	D00819	12		31-51-41	D04349J	21		N2	2		
712	24	PK	D00819	53		31-51-41	D04349J	3		N2	2		
713	24	PK	D00819	20		31-51-41	D04347J	9		N2	2		
714	24	PK	D00819	44		31-51-41	D04349J	24		N2	2		
715	24	PK	D04507J	6		31-51-42	SM00019		W	N2	1		
716	24	PK	D01433	34		31-51-42	SM00019		W	N2	1		
717	24	PK	D01433	37		31-51-42	SM00034		9	N2	2		
718	24	PK	D01433	39		31-51-42	D04509J	2		N2	2		
720	24	PK	D01433	52		31-51-42	SM00040		9	N2	2		
721	24	PK	D01433	38		31-51-42	D04347J	24		N2	2		
722	24	PK	D01433	5		31-51-42	D04349J	22		N2	2		
723	24	PK	D04511J	11		31-51-42	SM00038		9	N2	2		
724	24	PK	D01433	40		31-51-42	SM00038		9	N2	2		
725	24	PK	D01433	3		31-51-42	D04347J	13		N2	2		
726	22	PA	D04347J	14		31-51-21	SM00036		9	N2	2		
727	22	PA	D04301J	11		31-51-21	SM00035		9	N2	2		
728	24	PK	D04347J	1		31-51-41	D00819	35		N2	2		
729	24	PK	D04347J	2		31-51-41	D00819	1		N2	2		
730	24	PK	D04347J	3		31-51-41	D00819	36		N2	2		
731	24	PK	D04347J	4		31-51-41	D00819	2		N2	2		
732	24	PK	D04347J	5		31-51-42	D01433	20		N2	2		
733	24	PK	D04347J	16		34-16-11	D00821	65		N2	2		
734	24	PK	D04347J	8		31-51-31	SM00046		9	N2	2		
735	24	PK	D04507J	7		34-16-11	D00821	34		N2	2		
736	24	PK	D04507J	2		34-16-11	D00821	66		N2	2		
737	24	PK	SM00041		9	34-16-11	D00821	31		N2	2		
738	24	PK	D04347J	19		34-16-11	D00821	7		N2	2		
739	24	PK	SM00075		9	34-16-11	D00821	6		N2	2		

286T0045-330
Wire Bundle Assembly
Figure 127 (Sheet 16)

25-71-02

WIRE			FROM EQUIPMENT			TO EQUIPMENT			WIRE INFO				
NUMBER	GA	TYP	NUMBER	TERM	TT	WDM REF	NUMBER	TERM	TT	EMC/SEP	FT	NOTES	EFFECTIVITY
740			DELETED										
741	24	PK	D00821	18		34-16-11	D00821	22		N2			
742	24	PK	D00821	50		34-16-11	D00821	48		N2			
746	24	PK	D04597J	10		31-51-31	SM00043		9	N2	2		
747	24	PK	D01487	46		31-51-31	SM00043		9	N2			
748	24	PK	D04347J	7		31-51-31	SM00045		9	N2	2		
749	24	PK	D01487	10		31-51-31	SM00045		9	N2			
750	24	PK	D01487	19		31-51-31	SM00046		9	N2			
751	24	PK	D01487	13		31-51-31	SM00040		9	N2			
752	24	PK	D01487	47		31-51-31	SM00044		9	N2	2		
753	24	PK	D01487	51		31-51-31	SM00041		9	N2	2		
755	24	PV	D01487	1		31-51-31	SM00035		9	N2	2		
755Z			D01487	DED		31-51-31	SM00035	DED		N2			
756	24	PK	D01487	50		31-51-31	SM00036		9	N2	2		
757	24	PK	D01487	11		31-51-31	SM00039		9	N2			
758	24	PK	D01487	22		31-51-31	D01489	23		N2	2		
759	24	PK	D01487	55		31-51-31	D01489	47		N2	2		
760	24	PK	D01487	34		31-51-31	D01489	51		N2	2		
761	24	PK	D01487	66		31-51-31	D01489	57		N2	2		
762	24	PK	D00817	10		31-51-32	SM00045		9	N2	2		
763	24	PK	D00817	46		31-51-32	SM00043		9	N2	2		
764	24	PV	D00817	1		31-51-32	SM00035		9	N2			
764Z			D00817	DED		31-51-32	SM00035	DED		N2			
765	24	PK	D00817	50		31-51-32	SM00036		9	N2			
766	24	PV	D00817	11		31-51-32	SM00053		9	N2			
766Z			D00817	DED		31-51-32	SM00053	DED		N2			
767	24	PK	D00817	19		31-51-32	SM00046		9	N2	2		
768	24	PK	D00817	13		31-51-32	SM00040		9	N2	2		
769	24	PK	D00817	47		31-51-32	SM00044		9	N2			
770	24	PK	D00817	51		31-51-32	SM00041		9	N2	2		
772	24	PK	D00817	22		31-51-32	D01489	54		N2	2		
773	24	PK	D00817	55		31-51-32	D01489	13		N2	2		
774	24	PK	D00817	34		31-51-32	D01489	25		N2	2		

286T0045-330
Wire Bundle Assembly
Figure 127 (Sheet 17)

25-71-02



BOEING
COMPONENT
MAINTENANCE MANUAL

WIRE			FROM EQUIPMENT			TO EQUIPMENT			WIRE INFO				
NUMBER	GA	TYP	NUMBER	TERM	TT	WDM REF	NUMBER	TERM	TT	EMC/SEP	FT	NOTES	EFFECTIVITY
775	24	PK	D00817	66		31-51-32	D01489	58		N2	2		
776	24	PK	D01489	42		31-51-33	D04347J	15		N2	2		
777	24	PK	D01489	8		31-51-33	D04349J	13		N2	2		
779	24	PK	D01489	35		31-51-33	D04349J	40		N2	2		
780	24	PK	D01489	53		31-51-33	D04349J	2		N2	2		
781	24	PK	D01489	31		31-51-33	D01489	48		N2	2		
782	24	PK	D01489	18		31-51-33	D01489	22		N2	2		
783	24	PK	D01489	38		31-51-33	SM00008		9	N2			
784	24	PK	D01489	4		31-51-33	SM00011		9	N2			
785	24	PK	D01489	37		31-51-33	SM00012		9	N2			
786	24	PK	D01489	3		31-51-33	SM00010		9	N2			
787	24	PK	D01489	1		31-51-33	SM00009		9	N2			
788	24	PK	D01489	6		31-51-33	SM00034		9	N2	3		
789	24	PK	D01489	41		31-51-33	D04509J	11		N2	2		
791	24	PK	D01489	7		31-51-33	D04509J	10		N2	2		
792	24	PK	D01489	40		31-51-33	D04509J	9		N2	2		
793	24	PK	D00819	11		31-51-41	SM00075		9	N2	2		
794	20	PA	D04303J	10		31-51-32	GDX0004	5..	2	N2	2		
795	24	PK	D01433	9		31-51-42	D01433	48		N2	2		
796	24	PK	D01433	22		31-51-42	D01433	50		N2	2		
797	24	PV	D00815	41		31-51-21	SM00053		9	N2	2		
797Z			D00815	DED		31-51-21	SM00053	DED		N2			
798	24	PV	D04349J	9		31-51-21	SM00053		9	N2	2		
798Z			D04349J	DED		31-51-21	SM00053	DED		N2			
817	24	PK	D00823	55		27-32-12	D11553	6		N2	2		
818	24	PK	D00823	21		27-32-12	D11553	4		N2	2		
819	24	PK	D00823	51		27-32-12	D11553	3		N2	2		
820	24	PK	D00823	50		27-32-12	D11553	2		N2	2		
821	24	PK	D00823	49		27-32-12	D11553	7		N2	2		
822	24	PK	D00823	47		27-32-12	D11553	8		N2	2		
823	24	PK	D00823	46		27-32-12	D11553	9		N2	2		
824	24	PK	D00823	53		27-32-12	D11553	5		N2	2		
825	24	PK	D00823	62		27-32-12	D11553	24		N2	2		

286T0045-330
Wire Bundle Assembly
Figure 127 (Sheet 18)

25-71-02

TESTING & TROUBLE SHOOTING
01

Page 1700
Nov 01/02

WIRE			FROM EQUIPMENT			TO EQUIPMENT			WIRE INFO			
NUMBER	GA	TYP	NUMBER	TERM TT	WDM REF	NUMBER	TERM TT	EMC/SEP	FT	NOTES	EFFECTIVITY	
826	24	PK	D01381	55	27-32-22	D11553	16	N2	2			
827	24	PK	D01381	21	27-32-22	D11553	14	N2	2			
828	24	PK	D01381	51	27-32-22	D11553	13	N2	2			
829	24	PK	D01381	50	27-32-22	D11553	12	N2	2			
830	24	PK	D01381	49	27-32-22	D11553	17	N2	2			
831	24	PK	D01381	47	27-32-22	D11553	18	N2	2			
832	24	PK	D01381	46	27-32-22	D11553	19	N2	2			
833	24	PK	D01381	53	27-32-22	D11553	15	N2	2			
834	24	PK	D01381	62	27-32-22	D11553	34	N2	2			
835	24	PK	D04349J	50	27-32-21	D01381	64	N2	2			
836	20	PA	D04349J	53	27-32-21	GDX0002	S..	N2	2			
837	24	PK	D00823	42	27-32-12	SM00082		N2	1			
838	24	PK	D01381	42	27-32-22	SM00085		N2	1			
842			DELETED									
843			DELETED									
862	22	PA	D02261	30	31-41-35	GDX0006	S..	N2	1			
863	22	PA	D02261	32	31-41-35	GDX0006	S..	N2	1			
864	22	PA	D02261	33	31-41-35	GDX0006	S..	N2	1			
865	22	PA	D02261	64	31-41-35	GDX0006	S..	N2	1			
866	24	PV	D02261	27	31-51-11	SM00018		N2	1			
866Z			D02261	DED	31-51-11	SM00018	REF	N2				
867	24	PV	D02261	28	31-51-11	SM00047		N2	1			
867Z			D02261	DED	31-51-11	SM00047	REF	N2				
868	24	PV	D02261	29	31-51-12	SM00054		N2	1			
868Z			D02261	DED	31-51-12	SM00054	REF	N2				
869	24	PK	D02261	34	31-51-12	SM00025		N2	2			
870	22	PA	D02261	56	31-51-12	GDX0001	S..	N2	2			
871	22	PA	D02261	57	31-51-12	GDX0003	S..	N2	2			
872	22	PA	D02261	59	31-51-11	GDX0005	S..	N2	1			
873	24	PV	D02261	60	31-51-12	SM00055		N2	1			
873Z			D02261	DED	31-51-12	SM00055	REF	N2				
874	24	PV	D02261	62	31-51-11	SM00049		N2	1			
874Z			D02261	DED	31-51-11	SM00049	REF	N2				

 286T0045-330
 Wire Bundle Assembly
 Figure 127 (Sheet 19)

25-71-02



BOEING
COMPONENT
MAINTENANCE MANUAL

WIRE			FROM EQUIPMENT			TO EQUIPMENT			WIRE INFO				
NUMBER	GA	TYP	NUMBER	TERM	TT	WDM REF	NUMBER	TERM	TT	EMC/SEP	FT	NOTES	EFFECTIVITY
875	24	PV	D02261	63		31-51-12	SM00056		W	N2	1		
875Z			D02261	DED		31-51-12	SM00056	REF		N2			
876	24	PK	D02261	65		31-51-11	SM00022		9	N2	2		
877	24	PV	D00811	14		31-51-11	SM00018		W	N2	2		
877Z			D00811	DED		31-51-11	SM00018	REF		N2			
878	24	PV	D00811	48		31-51-11	SM00047		W	N2	2		
878Z			D00811	DED		31-51-11	SM00047	REF		N2			
879	24	PV	D00811	23		31-51-11	SM00049		W	N2	2		
879Z			D00811	DED		31-51-11	SM00049	REF		N2			
880	24	PV	D00813	14		31-51-12	SM00054		W	N2	2		
880Z			D00813	DED		31-51-12	SM00054	REF		N2			
881	24	PV	D00813	48		31-51-12	SM00055		W	N2	2		
881Z			D00813	DED		31-51-12	SM00055	REF		N2			
882	24	PV	D00813	23		31-51-12	SM00056		W	N2	2		
882Z			D00813	DED		31-51-12	SM00056	REF		N2			
883	22	PA	D02261	15		38-32-11	D04349J	26		N2	2		
884	22	PA	D02261	47		38-32-11	D04347J	27		N2	2		
885	24	PK	D04303J	9		31-51-21	SM00057		9	N2	2		
886	24	PK	D04507J	3		31-51-31	SM00058		9	N2	2		
887	24	PK	D04507J	1		31-51-21	SM00058		9	N2	2		
888	24	PK	SM00057		9	31-51-21	D04349J	44		N2	2		

286T0045-330
Wire Bundle Assembly
Figure 127 (Sheet 20)

25-71-02

WIRE			FROM EQUIPMENT			TO EQUIPMENT			WIRE INFO				
NUMBER	GA	TYP	NUMBER	TERM	TT	WDM REF	NUMBER	TERM	TT	EMC/SEP	FT	NOTES	EFFECTIVITY
FRA			M01103			31-51-12	M01103	ND	D	N2			
FRB			D00813	REF		31-51-12	D00813	59		N2			
FRC			M01102			31-51-11	M01102	ND	D	N2			
FRD			D00811	REF		31-51-11	D00811	59		N2			
FRG			D04349J	58		31-41-35	D04349J	EF		N2			
FRH			D04349J	61		28-41-11	D04349J	EF		N2			
PA1			D00815	47		99-99-99	D00815	63		N2		DAW-B2	
PA2			D00817	8		99-99-99	D00817	57		N2		DAW-B2	
PA3			D00819	41		99-99-99	D00819	55		N2		DAW-B2	
PA4			D00821	43		99-99-99	D00821	60		N2		DAW-B2	
PA5			D00823	52		99-99-99	D00823	65		N2		DAW-B2	
PA6			D01433	44		99-99-99	D01433	61		N2		DAW-B2	
PA7			D01381	52		99-99-99	D01381	65		N2		DAW-B2	
PA8			D01487	8		99-99-99	D01487	57		N2		DAW-B2	
PA9			D01489	56		99-99-99	D01489	65		N2		DAW-B2	
PB4			D02261	54		99-99-99	D02261	61		N2		DAW-B2	
P01		SE	D11553							N2			
1	22	PA	D00811	60		31-51-11	GDX0001	..	2	N2	3	UAE-F2	
2	22	PA	D00821	14		31-51-11	GDX0002	..	2	N2	2		
3	24	PV	D00811	26		31-51-11	D00821	27		N2	3		
003Z			D00811	DED		31-51-11	D00821	EF		N2			
4	24	PV	D00811	49		31-51-11	D00821	32		N2	3		
004Z			D00811	DED		31-51-11	D00821	EF		N2			
5	24	PV	D00811	35		31-51-11	D00821	17		N2	3		
005Z			D00811	DED		31-51-11	D00821	EF		N2			
6	24	PK	SM00022		9	31-51-11	D00821	51		N2			
7	24	PK	D00811	65		31-51-11	SM00022		9	N2	3		
8	24	PK	D00819	37		31-51-11	SM00022		9	N2	2		
9	24	PV	D00819	27		31-51-11	D00811	13		N2	3		
009Z			D00811	DED		31-51-11	D00819	EF		N2			
01A	24	PK	D01489	49		31-51-33	D04349J	43		N2	2		
10	22	PA	D00819	14		31-51-11	GDX0001	..	2	N2	2		
11	24	PK	D01433	51		31-51-11	SM00022		9	N2	2		

286T0045-331

Wire Bundle Assembly
Figure 128 (Sheet 1)

25-71-02

TESTING & TROUBLE SHOOTING
01 Page 170R
Nov 01/02



BOEING
COMPONENT
MAINTENANCE MANUAL

WIRE		FROM EQUIPMENT			TO EQUIPMENT			WIRE INFO					
NUMBER	GA	TYP	NUMBER	TERM	TT	WDM REF	NUMBER	TERM	TT	EMC/SEP	FT	NOTES	EFFECTIVITY
12	24	PV	SM00018		W	31-51-11	D01433	27		N2	1		
012Z			SM00018	REF		31-51-11	D01433	EF		N2			
13	24	PV	SM00047		W	31-51-11	D01433	32		N2	1		
013Z			SM00047	REF		31-51-11	D01433	EF		N2			
14	24	PV	SM00049		W	31-51-11	D01433	17		N2	1		
014Z			SM00049	REF		31-51-11	D01433	EF		N2			
15	22	PA	D01433	14		31-51-11	GDX0001	..	2	N2	2		
16	20	PA	SM00028		W	31-51-11	GDX0005	..	2	N2			
17	20	PA	GDX0002	S..	2	31-51-11	D00821	EF		N2	2		
18	20	PA	GDX0005	S..	2	31-51-11	D00819	EF		N2	2		
19	20	PA	D01433	REF		31-51-11	GDX0002	..	2	N2	2		
20	20	PA	GDX0005	D..	2	31-51-11	SM00029		W	N2			
21	20	PA	GDX0002	S..	2	31-51-11	D01503	EF		N2	2		
23	20	PA	D00815	REF		31-51-11	GDX0002	..	2	N2	2		
24	24	PK	D04349J	38		31-51-11	SM00005		W	N2	1		
25	24	PK	D01503	A2		31-51-11	SM00005		W	N2	1		
26	20	PA	D01503	A3		31-51-11	GDX0003	..	2	N2	2		
27	22	PQ	D01503	X2		31-51-11	D00811	75		N2	4		
027Z			D00811	DED		31-51-11	D01503	EF		N2			
28	24	PV	D01503	X1		31-51-11	SM00015		W	N2	1		
028Z			SM00015	REF		31-51-11	D01503	EF		N2			
29	24	PV	D00811	46		31-51-11	SM00015		W	N2	2		
029Z			SM00015	REF		31-51-11	D00811	ED		N2			
30	24	PK	SM00015		W	31-51-11	D11553	35		N2	1		
32	20	PA	D11553	11		31-51-11	GDX0003	..	2	N2	2		
33	24	PK	D11553	37		31-51-11	D00811	34		N2	4		
34	24	PK	D11553	36		31-51-11	D00811	33		N2	4		
35	22	PA	D00815	14		31-51-11	GDX0001	..	2	N2	2		
36	24	PV	D00815	27		31-51-11	D00811	12		N2	3		
036Z			D00811	DED		31-51-11	D00815	EF		N2			
37	24	PV	D00815	32		31-51-11	D00811	17		N2	3		
037Z			D00811	DED		31-51-11	D00815	EF		N2			
38	24	PV	D00815	17		31-51-11	D00811	22		N2	3		

286T0045-331
Wire Bundle Assembly
Figure 128 (Sheet 2)

25-71-02

WIRE			FROM EQUIPMENT			TO EQUIPMENT			WIRE INFO				
NUMBER	GA	TYP	NUMBER	TERM	TT	WDM REF	NUMBER	TERM	TT	EMC/SEP	FT	NOTES	EFFECTIVITY
038Z			D00811	DED									
39	24	PK	D00815	54		31-51-11	D00815	EF	9	N2			
40	24	PK	D00811	63		31-51-11	SM00020		9	N2	3		
41	24	PK	D00823	35		31-51-11	SM00020		9	N2	2		
42	24	PK	D01381	35		31-51-11	SM00020		9	N2	2		
45	22	PA	D01381	14		31-51-11	GDX0001	..	2	N2	2		
46	22	PA	D01381	48		31-51-11	GDX0003	..	2	N2	2		
47	24	PV	D01381	27		31-51-11	D00811	11		N2	3		
047Z			D00811	DED									
48	24	PV	D01381	32		31-51-11	D01381	EF		N2			
048Z			D00811	DED					16	N2	3		
49	24	PV	D01381	17		31-51-11	D01381	EF		N2			
049Z			D00811	DED					21	N2	3		
52	22	PA	D00823	14		31-51-11	D01381	EF		N2			
53	22	PA	D00823	48		31-51-11	GDX0001	..	2	N2	2		
54	24	PV	D00823	27		31-51-11	GDX0003	..	2	N2	2		
054Z			D00811	DED					10	N2	3		
55	24	PV	D00823	32		31-51-11	D00823	EF		N2			
055Z			D00811	DED					15	N2	3		
56	24	PV	D00823	17		31-51-11	D00823	EF		N2			
056Z			D00811	DED					20	N2	3		
57	22	PA	D00817	14		31-51-11	D00823	EF		N2			
58	24	PV	D00817	27		31-51-11	GDX0002	..	2	N2	2		
058Z			D00811	DED					51	N2	3		
59	24	PV	D00817	32		31-51-11	D00817	EF		N2			
059Z			D00811	DED					74	N2	3		
60	24	PK	D00817	45		31-51-11	D00817	EF		N2			
61	24	PK	D00811	64		31-51-11	SM00021		9	N2	2		
62	24	PK	D01489	16		31-51-11	SM00021		9	N2	3		
63	24	PK	D01487	45		31-51-11	SM00021		9	N2	2		
64	24	PV	D01487	27		31-51-11	SM00021		9	N2			
064Z			D00811	DED					47	N2	3		
65	24	PV	D01487	32		31-51-11	D00811	EF		N2			
									70	N2	3		

286T0045-331
Wire Bundle Assembly
Figure 128 (Sheet 3)

25-71-02



BOEING
COMPONENT
MAINTENANCE MANUAL

WIRE		FROM EQUIPMENT			TO EQUIPMENT			WIRE INFO					
NUMBER	GA	TYP	NUMBER	TERM	TT	WDM REF	NUMBER	TERM	TT	EMC/SEP	FT	NOTES	EFFECTIVITY
065Z			D00811	DED		31-51-11	D01487	EF		N2			
66	22	PA	D01487	14		31-51-11	GDX0003	..	2	N2	2		
67	24	PV	D01489	27		31-51-11	D00811	45		N2	3		
067Z			D00811	DED		31-51-11	D01489	EF		N2			
68	24	PV	D01489	32		31-51-11	D00811	50		N2	3		
068Z			D00811	DED		31-51-11	D01489	EF		N2			
69	24	PV	D01489	17		31-51-11	D00811	36		N2	3		
069Z			D00811	DED		31-51-11	D01489	EF		N2			
70	22	PA	D01489	14		31-51-11	GDX0003	..	2	N2	2		
71	20	PA	D01381	REF		31-51-11	GDX0002	..	2	N2	2		
72	20	PA	D00823	REF		31-51-11	GDX0002	..	2	N2	2		
73	20	PA	D00817	REF		31-51-11	GDX0002	..	2	N2	2		
74	20	PA	SM00026		W	31-51-11	GDX0005	..	2	N2	2		
75	20	PA	D01487	REF		31-51-11	GDX0005	..	2	N2	2		
76	20	PA	GDX0005	S..	2	31-51-11	D01489	EF		N2	2		
77	24	PK	D02261	40		31-41-35	D04349J	1		N2	2		
78	20	PA	SM00027		W	31-51-11	GDX0005	..	2	N2	2		
79	22	PA	D00813	60		31-51-12	GDX0003	..	2	N2	3	UAE-F2	
80	22	PA	D00821	15		31-51-12	GDX0002	..	2	N2	2		
81	24	PV	D00821	30		31-51-12	D00813	26		N2	3		
081Z			D00821	REF		31-51-12	D00813	ED		N2			
82	24	PV	D00821	33		31-51-12	D00813	49		N2	3		
082Z			D00821	REF		31-51-12	D00813	ED		N2			
83	24	PV	D00821	24		31-51-12	D00813	35		N2	3		
083Z			D00821	REF		31-51-12	D00813	ED		N2			
84	24	PK	D00821	19		31-51-12	SM00025		9	N2	3		
85	24	PK	D00813	65		31-51-12	SM00025		9	N2	2		
86	24	PK	D00819	3		31-51-12	SM00025		9	N2	2		
87	24	PK	D01433	18		31-51-12	SM00025		9	N2	2		
88	22	PA	D01433	15		31-51-12	GDX0002	..	2	N2	2		
89	24	PV	D01433	30		31-51-12	SM00054	EF	W	N2	1		
089Z			SM00054	REF		31-51-12	D01433		W	N2			
90	24	PV	D01433	33		31-51-12	SM00055		W	N2	1		

286T0045-331
Wire Bundle Assembly
Figure 128 (Sheet 4)

25-71-02

WIRE			FROM EQUIPMENT			TO EQUIPMENT			WIRE INFO				
NUMBER	GA	TYP	NUMBER	TERM	TT	WDM REF	NUMBER	TERM	TT	EMC/SEP	FT	NOTES	EFFECTIVITY
090Z			SM00055	REF		31-51-12	D01433	EF		N2			
91	24	PV	D01433	24		31-51-12	SM00056		W	N2	1		
091Z			SM00056	REF		31-51-12	D01433	EF		N2			
92	22	PA	D00819	15		31-51-12	GDX0002	..	2	N2	2		
93	24	PV	D00819	30		31-51-12	D00813	13		N2	3		
093Z			D00813	DED		31-51-12	D00819	EF		N2			
94	20	PA	SM00032		W	31-51-12	GDX0005	..	2	N2			
95	24	PV	D01505	X2		31-51-12	D00813	75		N2	3		
095Z			D00813	DED		31-51-12	D01505	EF		N2			
96	24	PV	D01505	X1		31-51-12	SM00016	EF	W	N2	1		
096Z			SM00016	REF		31-51-12	D01505	EF		N2			
97	24	PV	D00813	46		31-51-12	SM00016		W	N2	2		
097Z			SM00016	REF		31-51-12	D00813	ED		N2			
98	20	PA	SM00033		W	31-51-12	GDX0005	..	2	N2			
99	24	PK	SM00016		W	31-51-12	D11553	25		N2	1		
10A	24	PK	D01489	21		31-51-33	D04349J	23		N2	2		
100	20	PA	D11553	1		31-51-12	GDX0003	..	2	N2	2		
101	20	PA	D00821	REF		31-51-12	GDX0004	..	2	N2	2		
102	20	PA	D00819	REF		31-51-12	GDX0004	..	2	N2	2		
103	20	PA	D01433	REF		31-51-12	GDX0004	..	2	N2	2		
104	20	PA	D01505	REF		31-51-12	GDX0005	..	2	N2	2		
106	20	PA	D00815	REF		31-51-12	GDX0004	..	2	N2	2		
107	20	PA	D01381	REF		31-51-12	GDX0004	..	2	N2	2		
109	20	PA	D00817	REF		31-51-12	GDX0004	..	2	N2	2		
110	20	PA	D01487	REF		31-51-12	GDX0001	..	2	N2	2		
111	20	PA	D01489	REF		31-51-12	GDX0001	..	2	N2	2		
112	22	PA	D00815	15		31-51-12	GDX0001	..	2	N2	2		
113	24	PK	D01505	A2		31-51-12	SM00005	..	W	N2	1		
114	20	PA	D01505	A3		31-51-12	GDX0003	..	2	N2	2		
115	24	PK	D02261	21		21-61-51	D04347J	25		N2	2		
116	24	PK	D00815	21		31-51-12	SM00023		9	N2	2		
117	24	PK	D00813	63		31-51-12	SM00023		9	N2	3		
118	24	PK	D00823	1		31-51-12	SM00023		9	N2	2		

286T0045-331
Wire Bundle Assembly
Figure 128 (Sheet 5)

25-71-02



BOEING
COMPONENT
MAINTENANCE MANUAL

WIRE			FROM EQUIPMENT			TO EQUIPMENT			WIRE INFO				
NUMBER	GA	TYP	NUMBER	TERM	TT	WDM REF	NUMBER	TERM	TT	EMC/SEP	FT	NOTES	EFFECTIVITY
119	24	PK	D01381	1		31-51-12	SM00023		9	N2	2		
120	22	PA	D01381	15		31-51-12	GDX0001		2	N2	2		
121	24	PK	D00817	56		31-51-12	SM00024	..	9	N2	3		
122	24	PK	D00813	64		31-51-12	SM00024		9	N2	2		
123	24	PK	D01487	56		31-51-12	SM00024		2	N2	2		
124	22	PA	D00823	15		31-51-12	GDX0001	..	2	N2	2		
125	20	PA	D00823	REF		31-51-12	GDX0004	..	2	N2	2		
126	24	PV	D00823	33		31-51-12	D00813	15	3	N2	3		
126Z			D00823	REF		31-51-12	D00813	ED		N2			
127	24	PV	D00823	24		31-51-12	D00813	20	3	N2	3		
127Z			D00823	REF		31-51-12	D00813	ED		N2			
128	22	PA	D00817	15		31-51-12	GDX0002	..	2	N2	2		
129	24	PV	D00817	30		31-51-12	D00813	51	3	N2	3		
129Z			D00817	REF		31-51-12	D00813	ED		N2			
130	24	PV	D00817	33		31-51-12	D00813	74	3	N2	3		
130Z			D00817	REF		31-51-12	D00813	ED		N2			
131	24	PV	D00813	11		31-51-12	D01381	30	3	N2	3		
131Z			D01381	REF		31-51-12	D00813	ED		N2			
132	24	PV	D00813	16		31-51-12	D01381	33	3	N2	3		
132Z			D01381	REF		31-51-12	D00813	ED		N2			
133	24	PV	D01381	24		31-51-12	D00813	21	3	N2	3		
133Z			D01381	REF		31-51-12	D00813	ED		N2			
134	24	PK	D01489	50		31-51-12	D00813	ED	9	N2	2		
135	24	PV	D01487	30		31-51-12	SM00024	47	3	N2	3		
135Z			D01487	REF		31-51-12	D00813	ED		N2			
136	24	PV	D01487	33		31-51-12	D00813	70	3	N2	3		
136Z			D01487	REF		31-51-12	D00813	ED		N2			
137	22	PA	D01487	15		31-51-12	GDX0003	..	2	N2	2		
138	24	PV	D01489	30		31-51-12	D00813	45	3	N2	3		
138Z			D01489	REF		31-51-12	D00813	ED		N2			
139	24	PV	D01489	33		31-51-12	D00813	50	3	N2	3		
139Z			D01489	REF		31-51-12	D00813	ED		N2			
140	24	PV	D01489	24		31-51-12	D00813	36	3	N2	3		

286T0045-331
Wire Bundle Assembly
Figure 128 (Sheet 6)

25-71-02

WIRE			FROM EQUIPMENT			TO EQUIPMENT			WIRE INFO				
NUMBER	GA	TYP	NUMBER	TERM	TT	WDM REF	NUMBER	TERM	TT	EMC/SEP	FT	NOTES	EFFECTIVITY
140Z			D01489	REF		31-51-12	D00813	ED		N2			
141	22	PA	D01489	15		31-51-12	GDX0003	..	2	N2	2		
142	24	PK	D00813	33		31-51-12	D11553	26		N2	3		
143	24	PK	D11553	27		31-51-12	D00813	34		N2	3		
144	24	PV	D00813	12		31-51-12	D00815	30		N2	3		
144Z			D00813	DED	W	31-51-12	D00815	EF	2	N2			
145	20	PA	SM00030			31-51-12	GDX0005	..		N2			
146	24	PV	D00813	17		31-51-12	D00815	33		N2	3		
146Z			D00813	DED		31-51-12	D00815	EF		N2			
147	24	PV	D00813	22		31-51-12	D00815	24		N2	3		
147Z			D00813	DED		31-51-12	D00815	EF		N2			
148	24	PV	D00813	10		31-51-12	D00823	30		N2	3		
148Z			D00813	DED		31-51-12	D00823	EF		N2			
149	20	PA	SM00031		W	31-51-12	GDX0005	..	2	N2			
150	22	PA	D04301J	6		27-32-11	D00823	34		N2	2		
151	24	PK	D04509J	1		27-32-11	D00823	39		N2	2		
152	24	PK	D04347J	26		27-32-11	D00823	40		N2	2		
153	24	PK	D00823	31		27-32-11	D04509J	6		N2	2		
154	20	PA	D04509J	7		27-32-11	GDX0001	..	2	N2	2		
155	24	PK	SM00037		W	27-32-11	D04511J	3		N2	1		
156	24	PK	D00823	38		27-32-11	D04511J	2		N2	2		
157	24	PK	D04511J	4		27-32-11	SM00050		W	N2	1		
158	24	PK	SM00037		W	27-32-11	D00823	4		N2	1		
159	24	PK	D04349J	14		27-32-11	D00823	36		N2	1		
160	24	PK	D04349J	15		27-32-11	D00823	3		N2	1		
161	24	PK	D04349J	16		27-32-11	D00823	43		N2	1		
162	24	PK	D04349J	10		27-32-11	D00823	2		N2	1		
165	22	PA	D04349J	11		27-32-21	D01381	34		N2	2		
166	24	PK	D01381	40		27-32-21	D04349J	6		N2	2		
167	24	PK	D01381	31		27-32-21	D04511J	7		N2	2		
168	20	PA	GDX0002	D..	2	27-32-21	D04511J	8		N2	2		
169	24	PK	D04349J	34		27-32-21	D01381	36		N2	2		
170	24	PK	D04349J	35		27-32-21	D01381	3		N2	2		

286T0045-331
Wire Bundle Assembly
Figure 128 (Sheet 7)

25-71-02



BOEING
COMPONENT
MAINTENANCE MANUAL

WIRE			FROM EQUIPMENT			TO EQUIPMENT			WIRE INFO			
NUMBER	GA	TYP	NUMBER	TERM TT	WDM REF	NUMBER	TERM TT	EMC/SEP	FT	NOTES	EFFECTIVITY	
171	24	PK	D04349J	36	27-32-21	D01381	43	N2	2			
172	24	PK	D04349J	37	27-32-21	D01381	2	N2	2			
173	24	PK	D04511J	13	27-32-21	D01381	4	N2	2			
174	24	PK	D04511J	16	27-32-21	D01381	37	N2	2			
175	24	PK	D04511J	15	27-32-21	D01381	38	N2	2			
176	24	PK	D04509J	8	27-32-21	D01381	39	N2	2			
177	24	PK	D00815	34	31-51-21	SM00057		N2				
178	24	PK	D00815	43	31-51-21	D01433	19	N2	2			
179	24	PK	D00815	10	31-51-21	D00819	5	N2	2			
180	24	PK	D04507J	5	31-51-21	SM00034		N2	2			
181	24	PK	SM00058		31-51-21	D00815	66	N2				
182	24	PK	D00815	4	31-51-21	SM00034		N2				
183	24	PK	D00815	11	31-51-21	D04349J	39	N2	2			
184	22	PA	D00815	37	31-51-21	SM00035		N2	2			
185	22	PA	D00815	42	31-51-21	SM00036		N2	2			
186	24	PK	D04349J	5	31-51-21	SM00012		N2	2			
187	24	PK	D00815	2	31-51-21	SM00012		N2	3			
188	24	PK	SM00011		31-51-21	D04349J	4	N2	2			
189	24	PK	SM00011		31-51-21	D00815	35	N2	3			
190	24	PK	D04349J	12	31-51-21	SM00009		N2	2			
191	24	PK	D00815	44	31-51-21	SM00009		N2	2			
192	24	PK	D04347J	10	31-51-21	SM00008		N2	2			
193	24	PK	D00815	1	31-51-21	SM00008		N2	3			
194	24	PK	D04347J	11	31-51-21	SM00010		N2	2			
195	24	PK	D00815	36	31-51-21	SM00010		N2	3			
196	24	PK	SM00039		31-51-21	D04347J	21	N2	2			
197	24	PK	D00815	45	31-51-21	SM00039		N2	2			
198	24	PK	D00815	46	31-51-21	D04347J	6	N2	2			
199	20	PA	GDX0004	S..	31-51-31	D04597J	14	N2	2			
201B	24	PW	D01489	43	31-51-33	SM00004		N2				
201R	24	PW	D01489	9	31-51-33	SM00003		N2				
201Z			D01489	DED	31-51-33	SM00003	EF	N2				
204	20	PA	D04507J	REF	27-32-11	GDX0006	..	N2	1			

286T0045-331
Wire Bundle Assembly
Figure 128 (Sheet 8)

25-71-02



COMPONENT
MAINTENANCE MANUAL

WIRE			FROM EQUIPMENT			TO EQUIPMENT			WIRE INFO				
NUMBER	GA	TYP	NUMBER	TERM	TT	WDM REF	NUMBER	TERM	TT	EMC/SEP	FT	NOTES	EFFECTIVITY
204B	24	PW	D00823	18		27-32-11	D04507J	12		N2	1	CCF-T2	VS721-VS721
204B	24	PW	D04507J	12		27-32-11	D00823	18		N2	1	CB9-F2	VS722-VS740 VS861-VS880
204R	24	PW	D00823	16		27-32-11	D04507J	11		N2			VS721-VS721
204R	24	PW	D04507J	11		27-32-11	D00823	16		N2			VS722-VS740 VS861-VS880
204Z			D00823	DED		27-32-11	D04507J	EF		N2			VS721-VS721
204Z			D04507J	REF		27-32-11	D00823	ED		N2	3		VS722-VS740 VS861-VS880
205B	24	PW	D00815	19		31-51-21	SM00007		9	N2			
205R	24	PW	D00815	52		31-51-21	SM00006	EF		N2			
205Z			D00815	DED		31-51-21	SM00006	EF		N2			
207	20	PA	D04597J	REF		31-51-21	GDX0006	..	2	N2	1		
207B	24	PW	SM00007		9	31-51-21	D04597J	4		N2	2	CCF-T2	VS721-VS721
207B	24	PW	D04597J	4		31-51-21	SM00007		9	N2	2	CB9-F2	VS722-VS740 VS861-VS880
207R	24	PW	SM00006		9	31-51-21	D04597J	3		N2			VS721-VS721
207R	24	PW	D04597J	3		31-51-21	SM00006	EF		N2			VS722-VS740 VS861-VS880
207Z			SM00006	REF		31-51-21	D04597J	EF		N2			VS721-VS721
207Z			D04597J	REF		31-51-21	SM00006	EF		N2			VS722-VS740 VS861-VS880
208	20	PA	D04301J	REF		34-16-11	GDX0002	..	2	N2	1		
208B	24	PW	D00821	36		34-16-11	D04301J	9		N2	2	CCF-T2	VS721-VS721
208B	24	PW	D04301J	9		34-16-11	D00821	36		N2	2	CB9-F2	VS722-VS740 VS861-VS880
208R	24	PW	D00821	2		34-16-11	D04301J	8		N2			VS721-VS721
208R	24	PW	D04301J	8		34-16-11	D00821	2		N2			VS722-VS740 VS861-VS880
208Z			D00821	DED		34-16-11	D04301J	EF		N2			VS721-VS721
208Z			D04301J	REF		34-16-11	D00821	ED		N2			VS722-VS740 VS861-VS880
209B	24	PW	D01489	46		31-51-33	SM00007		9	N2			
209R	24	PW	D01489	12		31-51-33	SM00006	EF		N2			
209Z			D01489	DED		31-51-33	SM00006	EF		N2			
212B	24	PW	D01433	36		31-51-42	SM00007		9	N2	2		
212R	24	PW	D01433	2		31-51-42	SM00006	EF		N2			
212Z			D01433	DED		31-51-42	SM00006	EF		N2			
213	20	PA	D04507J	REF		34-16-11	GDX0006	..	2	N2	1		VS721-VS721
213B	24	PW	D00821	35		34-16-11	D04507J	8		N2	2	CCF-T2	VS722-VS740 VS861-VS880
213B	24	PW	D04507J	8		34-16-11	D00821	35		N2	2	CB9-F2	VS721-VS721
213R	24	PW	D00821	1		34-16-11	D04507J	9		N2			

286T0045-331

Wire Bundle Assembly
Figure 128 (Sheet 9)

25-71-02

TESTING & TROUBLE SHOOTING
01 Page 170Z
Nov 01/02



BOEING
COMPONENT
MAINTENANCE MANUAL

WIRE		FROM EQUIPMENT		TO EQUIPMENT		WIRE INFO							
NUMBER	GA	TYP	NUMBER	TERM	TT	WDM REF	NUMBER	TERM	TT	EMC/SEP	FT	NOTES	EFFECTIVITY
213R	24	PW	D04507J	9		34-16-11	D00821	1		N2			VS722-VS740 VS861-VS880
213Z			D00821	DED		34-16-11	D04507J	EF		N2			VS721-VS721
213Z			D04507J	REF		34-16-11	D00821	ED	2	N2			VS722-VS740 VS861-VS880
214	20	PA	D04349J	REF		34-16-11	GDX0006	..		N2	1		
214B	24	PW	D00821	37		34-16-11	D04349J	19		N2	2	CCF-T2	VS721-VS721
214B	24	PW	D04349J	19		34-16-11	D00821	37		N2	2	CB9-F2	VS722-VS740 VS861-VS880
214R	24	PW	D00821	3		34-16-11	D04349J	18		N2			VS721-VS721
214Z	24	PW	D04349J	18		34-16-11	D00821	3		N2			VS722-VS740 VS861-VS880
214Z			D00821	DED		34-16-11	D04349J	EF		N2			VS721-VS721
214Z			D04349J	REF		34-16-11	D00821	ED		N2			VS722-VS740 VS861-VS880
215B	24	PL	D01487	24		31-51-31	D04597J	12		N2	2		
215R	24	PL	D01487	23		31-51-31	D04597J	13		N2			
216B	24	PL	D00817	24		31-51-32	D04303J	12		N2	2		
216R	24	PL	D00817	23		31-51-32	D04303J	11		N2			
221B	24	PW	D01489	45		31-51-33	SM00004		9	N2			
221R	24	PW	D01489	11		31-51-33	SM00003		9	N2			
221Z			D01489	DED		31-51-33	SM00003	EF		N2			
223B	24	PW	D00821	38		34-16-11	SM00004		9	N2	2		
223R	24	PW	D00821	4		34-16-11	SM00003		9	N2			
223Z			D00821	DED		34-16-11	SM00003	EF		N2			
224	20	PA	D04349J	REF		27-32-21	GDX0006	..	2	N2	1		
224B	24	PW	D04349J	28		27-32-21	D01381	18		N2	2	CCF-F2	VS721-VS721
224B	24	PW	D04349J	28		27-32-21	D01381	18		N2	2	CB9-F2	VS722-VS740 VS861-VS880
224R	24	PW	D04349J	27		27-32-21	D01381	16		N2			
224Z			D04349J	REF		27-32-21	D01381	ED		N2			
225B	22	PR	D00811	69		31-51-11	SM00060		W	N2	2		
225R	22	PR	D00811	68		31-51-11	SM00060		W	N2			
225Z			D00811	DED		31-51-11	SM00028	EF		N2			
226B	22	PR	D00813	69		31-51-12	SM00061		W	N2	2		
226R	22	PR	D00813	68		31-51-12	SM00061		W	N2			
226Z			D00813	DED		31-51-12	SM00030	EF		N2			
230	20	PA	D04347J	REF		31-51-33	GDX0006	..	2	N2	1		
230B	24	PW	D04347J	18		31-51-33	SM00004		9	N2	2	CCF-F2	VS721-VS721

286T0045-331
Wire Bundle Assembly
Figure 128 (Sheet 10)

25-71-02

WIRE			FROM EQUIPMENT			TO EQUIPMENT			WIRE INFO				
NUMBER	GA	TYP	NUMBER	TERM	TT	WDM REF	NUMBER	TERM	TT	EMC/ SEP	FT	NOTES	EFFECTIVITY
230B	24	PW	D04347J	18		31-51-33	SM00004		9	N2	2	CB9-F2	VS722-VS740 VS861-VS880
230R	24	PW	D04347J	17		31-51-33	SM00003		9	N2			
230Z			D04347J	REF		31-51-33	SM00003	EF		N2			
236	20	PA	D04347J	REF		27-32-11	GDX0006	..	2	N2	1	CCF-F2	VS721-VS721
236B	24	PW	D04347J	37		27-32-11	D00823	54	54	N2	2	CB9-F2	VS722-VS740 VS861-VS880
236B	24	PW	D04347J	37		27-32-11	D00823	54	54	N2	2	CB9-F2	
236R	24	PW	D04347J	36		27-32-11	D00823	23	23	N2			
236Z			D04347J	REF		27-32-11	D00823	ED		N2			
237B	24	PW	D04347J	40		27-32-11	D00823	13	13	N2	2		
237R	24	PW	D04347J	39		27-32-11	D00823	12	12	N2			
237Z			D04347J	REF		27-32-11	D00823	ED		N2			
238	20	PA	D04349J	REF		27-32-21	GDX0006	..	2	N2	1	CCF-F2	VS721-VS721
238B	24	PW	D04349J	49		27-32-21	D01381	54	54	N2	2	CB9-F2	VS722-VS740 VS861-VS880
238B	24	PW	D04349J	49		27-32-21	D01381	54	54	N2	2	CB9-F2	
238R	24	PW	D04349J	48		27-32-21	D01381	23	23	N2			
238Z			D04349J	REF		27-32-21	D01381	ED		N2			
239B	24	PW	D01381	20		27-32-21	D04349J	55	55	N2	2		
239R	24	PW	D01381	19		27-32-21	D04349J	54	54	N2			
239Z			D01381	DED		27-32-21	D04349J	EF		N2			
240B	24	PL	D04347J	23		31-51-31	SM00080		9	N2	2		
240R	24	PL	D04347J	22		31-51-31	SM00042		9	N2			
241B	24	PL	D01487	60		31-51-31	SM00080		9	N2			
241R	24	PL	D01487	28		31-51-31	SM00042		9	N2			
242B	24	PL	D00817	60		31-51-32	SM00080		9	N2	2		
242R	24	PL	D00817	28		31-51-32	SM00042		9	N2			
243B	24	PW	D04349J	52		27-32-21	D01381	13	13	N2	2		
243R	24	PW	D04349J	51		27-32-21	D01381	12	12	N2			
243Z			D04349J	REF		27-32-21	D01381	ED		N2			
245B	24	PW	D00823	20		27-32-11	D04347J	48	48	N2	2		
245R	24	PW	D00823	19		27-32-11	D04347J	47	47	N2			
245Z			D00823	DED		27-32-11	D04347J	EF		N2			
247	20	PA	D04349J	REF		31-41-35	GDX0006	..	2	N2	1	CCF-T2	VS721-VS721
247B	24	PW	D02261	42		31-41-35	D04349J	57	57	N2	2		

286T0045-331
Wire Bundle Assembly
Figure 128 (Sheet 11)

25-71-02



BOEING
COMPONENT
MAINTENANCE MANUAL

WIRE			FROM EQUIPMENT				TO EQUIPMENT				WIRE INFO			
NUMBER	GA	TYP	NUMBER	TERM	TT	WDM REF	NUMBER	TERM	TT	EMC/SEP	FT	NOTES	EFFECTIVITY	
247B	24	PW	D02261	42		31-41-35	D04349J	57		N2	2	CB9-T2	VS722-VS740 VS861-VS880	
247R	24	PW	D02261	43		31-41-35	D04349J	56		N2				
247Z			D02261	DED		31-41-35	D04349J	EF		N2				
248	20	PA	D04349J	REF		28-41-11	GDX0006	..	2	N2	1	CCF-T2	VS721-VS721	
248B	24	PW	D02261	5		28-41-11	D04349J	60		N2	2	CB9-F2	VS722-VS740 VS861-VS880	
248B	24	PW	D04349J	60		28-41-11	D02261	5		N2	2			
248R	24	PW	D02261	8		28-41-11	D04349J	59		N2				
248R	24	PW	D04349J	59		28-41-11	D02261	8		N2				
248Z			D02261	DED		28-41-11	D04349J	EF		N2				
248Z			D04349J	REF		28-41-11	D02261	ED		N2				
271B	24	PL	D04597J	5		31-51-31	SM00088		9	N2	2			
271R	24	PL	D04597J	2		31-51-31	SM00087		9	N2				
272B	24	PL	D01487	63		31-51-31	SM00088		9	N2				
272R	24	PL	D01487	62		31-51-31	SM00087		9	N2				
273B	24	PL	D00817	63		31-51-32	SM00088		9	N2	2			
273R	24	PL	D00817	62		31-51-32	SM00087		9	N2				
289			DELETED							N2				
290B	24	PW	D04597J	8		34-43-15	SM00104		W	N2	1			
290R	24	PW	D04597J	7		34-43-15	SM00103		W	N2				
290Z			D04597J	9		34-43-15	SM00103	EF		N2				
291B	24	PW	D04303J	4		34-43-15	SM00104		W	N2	1			
291R	24	PW	D04303J	3		34-43-15	SM00103		W	N2				
291Z			D04303J	5		34-43-15	SM00103	EF		N2				
292B	24	PW	D04347J	53		34-43-15	SM00104		W	N2	1			
292R	24	PW	D04347J	51		34-43-15	SM00103		W	N2				
292Z			D04347J	61		34-43-15	SM00103	EF		N2				
301	20	PA	SM00028	REF		31-51-11	GDX0005	..	2	N2	1		VS721-VS721	
301	20	PA	SM00028	REF		31-51-11	GDX0005	..	2	N2	1		VS722-VS740 VS861-VS880	
301B	22	PS	D00811	57		31-51-11	SM00028		W	N2	2	CCF-T2	VS721-VS721	
301B	22	PS	D00811	57		31-51-11	SM00028		W	N2	2		VS722-VS740 VS861-VS880	
301R	22	PS	D00811	38		31-51-11	SM00028		W	N2				
301Y	22	PS	D00811	58		31-51-11	SM00028		W	N2				
301Z			D00811	DED		31-51-11	SM00028	EF		N2				

286T0045-331
Wire Bundle Assembly
Figure 128 (Sheet 12)

25-71-02

WIRE			FROM EQUIPMENT			TO EQUIPMENT			WIRE INFO				
NUMBER	GA	TYP	NUMBER	TERM	TT	WDM REF	NUMBER	TERM	TT	EMC/SEP	FT	NOTES	EFFECTIVITY
302B	22	PS	D00811	42		31-51-11	SM00029		W	N2	2		
302R	22	PS	D00811	41		31-51-11	SM00029		W	N2			
302Y	22	PS	D00811	43		31-51-11	SM00029		W	N2			
302Z			D00811	DED		31-51-11	SM00028	EF		N2			
303B	22	PS	D00811	8		31-51-11	SM00026		W	N2	2		
303R	22	PS	D00811	7		31-51-11	SM00026		W	N2			
303Y	22	PS	D00811	9		31-51-11	SM00026		W	N2			
303Z			D00811	DED		31-51-11	SM00028	EF		N2	2		
304B	22	PS	D00811	25		31-51-11	SM00027		W	N2			
304R	22	PS	D00811	24		31-51-11	SM00027		W	N2			
304Y	22	PS	D00811	37		31-51-11	SM00027		W	N2			
304Z			D00811	DED		31-51-11	SM00028	EF		N2			
305	20	PA	SM00030	REF		31-51-12	GDX0005	..	2	N2	1		VS721-VS721
305	20	PA	SM00030	REF		31-51-12	GDX0005	..	2	N2	1		VS722-VS740 VS861-VS880
305B	22	PS	D00813	8		31-51-12	SM00030		W	N2	2	CCF-T2	VS721-VS721
305B	22	PS	D00813	8		31-51-12	SM00030		W	N2	2		VS722-VS740 VS861-VS880
305R	22	PS	D00813	7		31-51-12	SM00030		W	N2			
305Y	22	PS	D00813	9		31-51-12	SM00030		W	N2			
305Z			D00813	DED		31-51-12	SM00030	EF		N2	2		
306B	22	PS	D00813	25		31-51-12	SM00031		W	N2			
306R	22	PS	D00813	24		31-51-12	SM00031		W	N2			
306Y	22	PS	D00813	37		31-51-12	SM00031		W	N2			
306Z			D00813	DED		31-51-12	SM00030	EF		N2			
307B	22	PS	D00813	57		31-51-12	SM00032		W	N2	2		
307R	22	PS	D00813	38		31-51-12	SM00032		W	N2			
307Y	22	PS	D00813	58		31-51-12	SM00032		W	N2			
307Z			D00813	DED		31-51-12	SM00030	EF		N2			
308B	22	PS	D00813	42		31-51-12	SM00033		W	N2	2		
308R	22	PS	D00813	41		31-51-12	SM00033		W	N2			
308Y	22	PS	D00813	43		31-51-12	SM00033		W	N2			
308Z			D00813	DED		31-51-12	SM00030	EF		N2			
512	24	PK	D02261	20		27-81-31	D04349J	8		N2	2		
601	20	PA	SM00060		W	31-51-11	GDX0004	..	2	N2			

286T0045-331
Wire Bundle Assembly
Figure 128 (Sheet 13)

25-71-02



BOEING
COMPONENT
MAINTENANCE MANUAL

WIRE		FROM EQUIPMENT			TO EQUIPMENT			WIRE INFO					
NUMBER	GA	TYP	NUMBER	TERM	TT	WDM REF	NUMBER	TERM	TT	EMC/SEP	FT	NOTES	EFFECTIVITY
602	20	PA	SM00061		W	31-51-12	GDX0005	..	2	N2			
603	24	PV	D04301J	5		31-51-12	M01103	NE	D	N2	1		
603Z			D04301J	DED		31-51-12	M01103			N2			
604	24	PV	D04301J	4		31-51-12	D00813	4		N2	3		
604Z			D04301J	DED		31-51-12	D00813	EF		N2			
605	24	PV	D00813	1		31-51-12	M01103	AD	D	N2	3		
605Z			D00813	REF		31-51-12	M01103	ED		N2			
606	24	PV	D04349J	32		31-51-11	M01102	NE	D	N2	1		
606Z			D04349J	DED		31-51-11	M01102			N2			
607	24	PV	D04349J	33		31-51-11	D00811	4		N2	3		
607Z			D04349J	DED		31-51-11	D00811	EF		N2			
608	24	PV	D00811	1		31-51-11	M01102	AD	D	N2	3		
608Z			D00811	REF		31-51-11	M01102	ED		N2			
610	24	PK	D00823	37		27-32-11	SM00050		W	N2	1		
611	24	PK	D01433	6		31-51-42	D04347J	20		N2	2		
612	24	PK	D01433	4		31-51-42	SM00050		W	N2	1		
613	24	PK	D04349J	30		31-51-31	SM00065		9	N2	2		
614	24	PK	D01487	52		31-51-31	SM00065		9	N2			
615	24	PK	D00817	52		31-51-32	SM00065		9	N2	2		
617	24	PK	D01381	11		27-32-12	D00823	56		N2	1		
618	24	PK	D01381	56		27-32-12	D00823	11		N2	1		
619	24	PK	D00823	45		27-32-12	SM00082		W	N2	1		
620	24	PK	D04349J	29		31-51-21	SM00071		9	N2	2		
621	24	PK	D00815	7		31-51-21	SM00071		9	N2	3		
622	24	PK	D01489	2		31-51-33	SM00071		9	N2			
623	24	PK	D01489	36		31-51-33	SM00038		9	N2			
624	24	PK	D00815	8		31-51-21	SM00045		9	N2	2		
625	24	PK	D01487	9		31-51-31	SM00034		9	N2	2		
628			DELETED							N2			
630			DELETED							N2			
631	24	PK	D00817	9		31-51-32	SM00034		9	N2	2		
634			DELETED							N2			
636			DELETED							N2			

286T0045-331
Wire Bundle Assembly
Figure 128 (Sheet 14)

25-71-02

WIRE			FROM EQUIPMENT			TO EQUIPMENT			WIRE INFO				
NUMBER	GA	TYP	NUMBER	TERM	TT	WDM REF	NUMBER	TERM	TT	EMC/SEP	FT	NOTES	EFFECTIVITY
644	22	PQ	D00823	66		27-32-31	D04347J	42		N2	2		
644Z			D00823	DED		27-32-31	D04347J	ED		N2			
646	22	PQ	D01381	66		27-32-31	D04349J	42		N2	2		
646Z			D01381	DED		27-32-31	D04349J	ED		N2			
648	24	PK	D04347J	32		34-16-11	D00821	40		N2	2		
649	24	PK	D04347J	33		34-16-11	SM00038		9	N2	2		
681	24	PK	D01433	10		31-51-43	D04507J	10		N2	2		
682	24	PK	D01433	13		31-51-43	D04347J	46		N2	2		
683	22	PA	D01433	41		31-51-43	SM00081	47	W	N2	1		
684	20	PA	GDX0001	D..	2	31-51-43	D04349J	47		N2	2		
685	24	PK	D00823	58		27-32-12	D01505	A1		N2	2		
686	24	PK	D00823	8		27-32-11	SM00038		9	N2	2		
687	24	PK	D00823	64		27-32-11	SM00081		W	N2	1		
688	24	PK	D01381	58		27-32-22	D01503	A1		N2	2		
689	24	PK	D01381	45		27-32-22	SM00085		W	N2	1		
692	24	PK	D01381	8		27-32-21	SM00038		9	N2	2		
693	24	PK	D04347J	30		31-51-21	D00815	6		N2	2		
694	22	PA	D04349J	46		31-51-43	SM00081		W	N2	1		
696	20	PA	GDX0003	D..	2	27-32-12	SM00082		W	N2	1		
697	20	PA	GDX0003	D..	2	27-32-22	SM00085		W	N2	1		
701	24	PK	D00815	49		31-51-21	D00815	22		N2			
702	24	PK	D00815	16		31-51-21	D00815	48		N2			
703	24	PK	D00819	6		31-51-41	SM00019		W	N2	1		
704	24	PK	SM00075		9	31-51-41	D04511J	14		N2	2		
705	24	PK	D00819	45		31-51-41	D04511J	12		N2	2		
706	24	PK	D00819	10		31-51-41	D04349J	31		N2	2		
707	24	PK	D00819	21		31-51-41	D04509J	4		N2	2		
708	24	PK	D00819	9		31-51-41	D04349J	7		N2	2		
709	24	PK	D00819	39		31-51-41	SM00044		9	N2	2		
710	24	PK	D00819	43		31-51-41	SM00037		W	N2	1		
711	24	PK	D00819	12		31-51-41	D04349J	21		N2	2		
712	24	PK	D00819	53		31-51-41	D04349J	3		N2	2		
713	24	PK	D00819	20		31-51-41	D04347J	9		N2	2		

286T0045-331
Wire Bundle Assembly
Figure 128 (Sheet 15)

25-71-02



BOEING
COMPONENT
MAINTENANCE MANUAL

WIRE		FROM EQUIPMENT			TO EQUIPMENT			WIRE INFO					
NUMBER	GA	TYP	NUMBER	TERM	TT	WDM REF	NUMBER	TERM	TT	EMC/SEP	FT	NOTES	EFFECTIVITY
714	24	PK	D00819	44		31-51-41	D04349J	24		N2	2		
715	24	PK	D04507J	6		31-51-42	SM00019		W	N2	1		
716	24	PK	D01433	34		31-51-42	SM00019		W	N2	1		
717	24	PK	D01433	37		31-51-42	SM00034		9	N2	2		
718	24	PK	D01433	39		31-51-42	D04509J	2		N2	2		
720	24	PK	D01433	52		31-51-42	SM00040		9	N2	2		
721	24	PK	D01433	38		31-51-42	D04347J	24		N2	2		
722	24	PK	D01433	5		31-51-42	D04349J	22		N2	2		
723	24	PK	D04511J	11		31-51-42	SM00038		9	N2	2		
724	24	PK	D01433	40		31-51-42	SM00038		9	N2	2		
725	24	PK	D01433	3		31-51-42	D04347J	13		N2	2		
726	22	PA	D04347J	14		31-51-21	SM00036		9	N2	2		
727	22	PA	D04301J	11		31-51-21	SM00035		9	N2	2		
728	24	PK	D04347J	1		31-51-41	D00819	35		N2	2		
729	24	PK	D04347J	2		31-51-41	D00819	1		N2	2		
730	24	PK	D04347J	3		31-51-41	D00819	36		N2	2		
731	24	PK	D04347J	4		31-51-41	D00819	2		N2	2		
732	24	PK	D04347J	5		31-51-42	D01433	20		N2	2		
733	24	PK	D04347J	16		34-16-11	D00821	65		N2	2		
734	24	PK	D04347J	8		31-51-31	SM00046		9	N2	2		
735	24	PK	D04507J	7		34-16-11	D00821	34		N2	2		
736	24	PK	D04507J	2		34-16-11	D00821	66		N2	2		
737	24	PK	SM00041		9	34-16-11	D00821	31		N2	2		
738	24	PK	D04347J	19		34-16-11	D00821	7		N2	2		
739	24	PK	SM00075		9	34-16-11	D00821	6		N2	2		
740			DELETED							N2			
741	24	PK	D00821	18		34-16-11	D00821	22		N2	2		
742	24	PK	D00821	50		34-16-11	D00821	48		N2	2		
746	24	PK	D04597J	10		31-51-31	SM00043		9	N2	2		
747	24	PK	D01487	46		31-51-31	SM00043		9	N2	2		
748	24	PK	D04347J	7		31-51-31	SM00045		9	N2	2		
749	24	PK	D01487	10		31-51-31	SM00045		9	N2	2		
750	24	PK	D01487	19		31-51-31	SM00046		9	N2	2		

286T0045-331
Wire Bundle Assembly
Figure 128 (Sheet 16)

25-71-02

WIRE			FROM EQUIPMENT			TO EQUIPMENT			WIRE INFO				
NUMBER	GA	TYP	NUMBER	TERM	TT	WDM REF	NUMBER	TERM	TT	EMC/SEP	FT	NOTES	EFFECTIVITY
751	24	PK	D01487	13		31-51-31	SM00040		9	N2			
752	24	PK	D01487	47		31-51-31	SM00044		9	N2	2		
753	24	PK	D01487	51		31-51-31	SM00041		9	N2	2		
755	24	PV	D01487	1		31-51-31	SM00035		9	N2	2		
755Z			D01487	DED		31-51-31	SM00035	ED		N2			
756	24	PK	D01487	50		31-51-31	SM00036		9	N2	2		
757	24	PK	D01487	11		31-51-31	SM00039		9	N2			
758	24	PK	D01487	22		31-51-31	D01489	23		N2	2		
759	24	PK	D01487	55		31-51-31	D01489	47		N2	2		
760	24	PK	D01487	34		31-51-31	D01489	51		N2	2		
761	24	PK	D01487	66		31-51-31	D01489	57		N2	2		
762	24	PK	D00817	10		31-51-32	SM00045		9	N2	2		
763	24	PK	D00817	46		31-51-32	SM00043		9	N2	2		
764	24	PV	D00817	1		31-51-32	SM00035		9	N2			
764Z			D00817	DED		31-51-32	SM00035	ED		N2			
765	24	PK	D00817	50		31-51-32	SM00036		9	N2			
766	24	PV	D00817	11		31-51-32	SM00053		9	N2			
766Z			D00817	DED		31-51-32	SM00053	ED		N2			
767	24	PK	D00817	19		31-51-32	SM00046		9	N2	2		
768	24	PK	D00817	13		31-51-32	SM00040		9	N2	2		
769	24	PK	D00817	47		31-51-32	SM00044		9	N2			
770	24	PK	D00817	51		31-51-32	SM00041		9	N2	2		
772	24	PK	D00817	22		31-51-32	D01489	54		N2	2		
773	24	PK	D00817	55		31-51-32	D01489	13		N2	2		
774	24	PK	D00817	34		31-51-32	D01489	25		N2	2		
775	24	PK	D00817	66		31-51-32	D01489	58		N2	2		
776	24	PK	D01489	42		31-51-33	D04347J	15		N2	2		
777	24	PK	D01489	8		31-51-33	D04349J	13		N2	2		
779	24	PK	D01489	35		31-51-33	D04349J	40		N2	2		
780	24	PK	D01489	53		31-51-33	D04349J	2		N2	2		
781	24	PK	D01489	31		31-51-33	D01489	48		N2			
782	24	PK	D01489	18		31-51-33	D01489	22		N2			
783	24	PK	D01489	38		31-51-33	SM00008		9	N2			

 286T0045-331
 Wire Bundle Assembly
 Figure 128 (Sheet 17)

25-71-02

 TESTING & TROUBLE SHOOTING
 01 Page 172F
 Nov 01/02



BOEING
COMPONENT
MAINTENANCE MANUAL

WIRE			FROM EQUIPMENT			TO EQUIPMENT			WIRE INFO				
NUMBER	GA	TYP	NUMBER	TERM	TT	WDM REF	NUMBER	TERM	TT	EMC/SEP	FT	NOTES	EFFECTIVITY
784	24	PK	D01489	4		31-51-33	SM00011		9	N2			
785	24	PK	D01489	37		31-51-33	SM00012		9	N2			
786	24	PK	D01489	3		31-51-33	SM00010		9	N2			
787	24	PK	D01489	1		31-51-33	SM00009		9	N2	3		
788	24	PK	D01489	6		31-51-33	SM00034		9	N2	2		
789	24	PK	D01489	41		31-51-33	D04509J	11		N2	2		
791	24	PK	D01489	7		31-51-33	D04509J	10		N2	2		
792	24	PK	D01489	40		31-51-33	D04509J	9		N2	2		
793	24	PK	D00819	11		31-51-41	SM00075		9	N2	2		
794	20	PA	D04303J	10		31-51-32	GDX0004	..	2	N2	2		
795	24	PK	D01433	9		31-51-42	D01433	48		N2			
796	24	PK	D01433	22		31-51-42	D01433	50		N2			
797	24	PV	D00815	41		31-51-21	SM00053		9	N2	2		
797Z			D00815	DED		31-51-21	SM00053	ED		N2			
798	24	PV	D04349J	9		31-51-21	SM00053		9	N2	2		
798Z			D04349J	DED		31-51-21	SM00053	ED		N2			
817	24	PK	D00823	55		27-32-12	D11553	6		N2	2		
818	24	PK	D00823	21		27-32-12	D11553	4		N2	2		
819	24	PK	D00823	51		27-32-12	D11553	3		N2	2		
820	24	PK	D00823	50		27-32-12	D11553	2		N2	2		
821	24	PK	D00823	49		27-32-12	D11553	7		N2	2		
822	24	PK	D00823	47		27-32-12	D11553	8		N2	2		
823	24	PK	D00823	46		27-32-12	D11553	9		N2	2		
824	24	PK	D00823	53		27-32-12	D11553	5		N2	2		
825	24	PK	D00823	62		27-32-12	D11553	24		N2	2		
826	24	PK	D01381	55		27-32-22	D11553	16		N2	2		
827	24	PK	D01381	21		27-32-22	D11553	14		N2	2		
828	24	PK	D01381	51		27-32-22	D11553	13		N2	2		
829	24	PK	D01381	50		27-32-22	D11553	12		N2	2		
830	24	PK	D01381	49		27-32-22	D11553	17		N2	2		
831	24	PK	D01381	47		27-32-22	D11553	18		N2	2		
832	24	PK	D01381	46		27-32-22	D11553	19		N2	2		
833	24	PK	D01381	53		27-32-22	D11553	15		N2	2		

286T0045-331
Wire Bundle Assembly
Figure 128 (Sheet 18)

25-71-02

WIRE			FROM EQUIPMENT			TO EQUIPMENT			WIRE INFO				
NUMBER	GA	TYP	NUMBER	TERM	TT	WDM REF	NUMBER	TERM	TT	EMC/ SEP	FT	NOTES	EFFECTIVITY
834	24	PK	D01381	62		27-32-22	D11553	34		N2	2		
835	24	PK	D04349J	50		27-32-21	D01381	64		N2	2		
836	20	PA	D04349J	53		27-32-21	GDX0002	..	2	N2	2		
837	24	PK	D00823	42		27-32-12	SM00082	..	W	N2	1		
838	24	PK	D01381	42		27-32-22	SM00085	..	W	N2	1		
842			DELETED							N2			
843			DELETED							N2			
862	22	PA	D02261	30		31-41-35	GDX0006	..	2	N2	1		
863	22	PA	D02261	32		31-41-35	GDX0006	..	2	N2	1		
864	22	PA	D02261	33		31-41-35	GDX0006	..	2	N2	1		
865	22	PA	D02261	64		31-41-35	GDX0006	..	2	N2	1		
866	24	PV	D02261	27		31-51-11	SM00018	..	W	N2	1		
866Z			D02261	DED		31-51-11	SM00018	EF		N2			
867	24	PV	D02261	28		31-51-11	SM00047	..	W	N2	1		
867Z			D02261	DED		31-51-11	SM00047	EF		N2			
868	24	PV	D02261	29		31-51-12	SM00054	..	W	N2	1		
868Z			D02261	DED		31-51-12	SM00054	EF		N2			
869	24	PK	D02261	34		31-51-12	SM00025	..	9	N2	2		
870	22	PA	D02261	56		31-51-12	GDX0001	..	2	N2	2		
871	22	PA	D02261	57		31-51-12	GDX0003	..	2	N2	2		
872	22	PA	D02261	59		31-51-11	GDX0005	..	2	N2	1		
873	24	PV	D02261	60		31-51-12	SM00055	..	W	N2	1		
873Z			D02261	DED		31-51-12	SM00055	EF		N2			
874	24	PV	D02261	62		31-51-11	SM00049	..	W	N2	1		
874Z			D02261	DED		31-51-11	SM00049	EF		N2			
875	24	PV	D02261	63		31-51-12	SM00056	..	W	N2	1		
875Z			D02261	DED		31-51-12	SM00056	EF		N2			
876	24	PK	D02261	65		31-51-11	SM00022	..	9	N2	2		
877	24	PV	D00811	14		31-51-11	SM00018	..	W	N2	2		
877Z			D00811	DED		31-51-11	SM00018	EF		N2			
878	24	PV	D00811	48		31-51-11	SM00047	..	W	N2	2		
878Z			D00811	DED		31-51-11	SM00047	EF		N2			
879	24	PV	D00811	23		31-51-11	SM00049	..	W	N2	2		

286T0045-331
Wire Bundle Assembly
Figure 128 (Sheet 19)

25-71-02



BOEING
COMPONENT
MAINTENANCE MANUAL

WIRE			FROM EQUIPMENT			TO EQUIPMENT			WIRE INFO				
NUMBER	GA	TYP	NUMBER	TERM	TT	WDM REF	NUMBER	TERM	TT	EMC/SEP	FT	NOTES	EFFECTIVITY
879Z			D00811	DED		31-51-11	SM00049	EF		N2			
880	24	PV	D00813	14		31-51-12	SM00054		W	N2	2		
880Z			D00813	DED		31-51-12	SM00054	EF		N2			
881	24	PV	D00813	48		31-51-12	SM00055		W	N2	2		
881Z			D00813	DED		31-51-12	SM00055	EF		N2			
882	24	PV	D00813	23		31-51-12	SM00056		W	N2	2		
882Z			D00813	DED		31-51-12	SM00056	EF		N2			
883	22	PA	D02261	15		38-32-11	D04349J	26		N2	2		
884	22	PA	D02261	47		38-32-11	D04347J	27		N2	2		
885	24	PK	D04303J	9		31-51-21	SM00057		9	N2	2		
886	24	PK	D04507J	3		31-51-21	SM00058		9	N2	2		
887	24	PK	D04507J	1		31-51-21	SM00058		9	N2	2		
888	24	PK	SM00057		9	31-51-21	D04349J	44		N2	2		
882	24	PV	D00813	23		31-51-12	SM00056		W	N2	2		
882Z			D00813	DED		31-51-12	SM00056	REF		N2			
883	22	PA	D02261	15		38-32-11	D04349J	26		N2	2		
884	22	PA	D02261	47		38-32-11	D04347J	27		N2	2		
885	24	PK	D04303J	9		31-51-21	SM00057		9	N2	2		
886	24	PK	D04507J	3		31-51-21	SM00058		9	N2	2		
887	24	PK	D04507J	1		31-51-21	SM00058		9	N2	2		
888	24	PK	D04507J	1		31-51-21	SM00058		9	N2	2		
888	24	PK	SM00057		9	31-51-21	D04349J	44		N2	2		

286T0045-331
Wire Bundle Assembly
Figure 128 (Sheet 20)

25-71-02

WIRE			FROM EQUIPMENT			TO EQUIPMENT			WIRE INFO				
NUMBER	GA	TYP	NUMBER	TERM	TT	WDM REF	NUMBER	TERM	TT	EMC/ SEP	FT	NOTES	EFFECTIVITY
FRA			M01103			31-51-12	M01103	GND	D	N2			
FRB			D00813			31-51-12	D00813	59		N2			
FRC			M01102			31-51-11	M01102	GND	D	N2			
FRD			D00811			31-51-11	D00811	59		N2			
FRG			D04349J	58		31-41-35	D04349J			N2			
FRH			D04349J	61		28-41-11	D04349J			N2			
PA1			D00815	47		99-99-99	D00815	63		N2		DAW-B2	
PA2			D00817	8		99-99-99	D00817	57		N2		DAW-B2	
PA3			D00819	41		99-99-99	D00819	55		N2		DAW-B2	
PA4			D00821	43		99-99-99	D00821	60		N2		DAW-B2	
PA5			D00823	52		99-99-99	D00823	65		N2		DAW-B2	
PAG			D01433	44		99-99-99	D01433	61		N2		DAW-B2	
PA7			D01381	52		99-99-99	D01381	65		N2		DAW-B2	
PA8			D01487	8		99-99-99	D01487	57		N2		DAW-B2	
PA9			D01489	56		99-99-99	D01489	65		N2		DAW-B2	
PB4			D02261	54		99-99-99	D02261	61		N2		DAW-B2	
P01		SE	D11553							N2			
1	2	PA	D00811	60		31-51-11	GDX0001	S..	2	N2	3	UAE-F2	SM001-SM010
1	2	PA	D00811	60		31-51-11	GDX0001	S..	2	N2	4	UAE-F2	VF181-VF190
2	2	PA	D00821	14		31-51-11	GDX0002	D..	2	N2	2		SM001-SM010
2	2	PA	D00821	14		31-51-11	GDX0002	D..	2	N2	4		VF181-VF190
3	4	PV	D00811	26		31-51-11	D00821	27		N2	3	PAJ-T2	SM001-SM010
3	4	PV	D00811	26		31-51-11	D00821	27		N2	2		VF181-VF190
003Z			D00811	DED		31-51-11	D00821			N2			
4	4	PV	D00811	49		31-51-11	D00821	32		N2	3	PAJ-T2	SM001-SM010
4	4	PV	D00811	49		31-51-11	D00821	32		N2	2		VF181-VF190
004Z			D00811	DED		31-51-11	D00821			N2			SM001-SM010
004Z			D00811	DED		31-51-11	D00821			N2			VF181-VF190
5	4	PV	D00811	35		31-51-11	D00821	17		N2	3	PAJ-T2	SM001-SM010
5	4	PV	D00811	35		31-51-11	D00821	17		N2	5		VF181-VF190
005Z			D00811	DED		31-51-11	D00821			N2			
6	4	PK	SM00022		W	31-51-11	D00821	51		N2	1	PAJ-T2	SM001-SM010
6	4	PK	SM00022		W	31-51-11	D00821	51		N2	3		VF181-VF190

286T0045-601
Wire Bundle Assembly
Figure 129 (Sheet 1)

25-71-02



BOEING
COMPONENT
MAINTENANCE MANUAL

WIRE			FROM EQUIPMENT			TO EQUIPMENT			WIRE INFO				
NUMBER	GA	TYP	NUMBER	TERM	TT	WDM REF	NUMBER	TERM	TT	EMC/SEP	FT	NOTES	EFFECTIVITY
7	4	PK	D00811	65		31-51-11	SM00022		W	N2	2	PAJ-F2	SM001-SM010
7	4	PK	D00811	65		31-51-11	SM00022		W	N2	4		VF181-VF190
8	4	PK	D00819	37		31-51-11	SM00022		W	N2	1	PAJ-F2	SM001-SM010
8	4	PK	D00819	37		31-51-11	SM00022		W	N2	3		VF181-VF190
9	4	PV	D00819	27		31-51-11	D00811	13		N2	3		SM001-SM010
9	4	PV	D00819	27		31-51-11	D00811	13		N2	4		VF181-VF190
009Z			D00811	DED		31-51-11	D00819			N2			
10	2	PA	D00819	14		31-51-11	GDX0001	D..	2	N2	2		SM001-SM010
10	2	PA	D00819	14		31-51-11	GDX0001	D..	2	N2	3		VF181-VF190
11	4	PK	D01433	51		31-51-11	SM00022		W	N2	1	PAJ-F2	SM001-SM010
11	4	PK	D01433	51		31-51-11	SM00022		W	N2	3		VF181-VF190
12	4	PV	SM00018		W	31-51-11	D01433	27		N2	1	PAJ-T2	SM001-SM010
12	4	PV	SM00018		W	31-51-11	D01433	27		N2	4		VF181-VF190
012Z			SM00018	REF		31-51-11	D01433			N2		PAJ-T2	SM001-SM010
012Z			SM00018	REF		31-51-11	D01433			N2		PAJ-T2	VF181-VF190
13	4	PV	SM00047		W	31-51-11	D01433	32		N2	1	PAJ-T2	SM001-SM010
13	4	PV	SM00047		W	31-51-11	D01433	32		N2	2		VF181-VF190
013Z			SM00047	REF		31-51-11	D01433			N2		PAJ-T2	SM001-SM010
013Z			SM00047	REF		31-51-11	D01433			N2		PAJ-T2	VF181-VF190
14	4	PV	SM00049		W	31-51-11	D01433	17		N2	1	PAJ-T2	SM001-SM010
14	4	PV	SM00049		W	31-51-11	D01433	17		N2	4		VF181-VF190
014Z			SM00049	REF		31-51-11	D01433			N2		PAJ-T2	SM001-SM010
014Z			SM00049	REF		31-51-11	D01433			N2		PAJ-T2	VF181-VF190
15	2	PA	D01433	14		31-51-11	GDX0001	D..	2	N2	2		SM001-SM010
15	2	PA	D01433	14		31-51-11	GDX0001	D..	2	N2	3		VF181-VF190
16	0	PA	SM00028		W	31-51-11	GDX0005	D..	2	N2			SM001-SM010
17	0	UA	GDX0002	S..	2	31-51-11	D00821			N2	2		VF181-VF190
17	0	UA	GDX0002	S..	2	31-51-11	D00821			N2	3		SM001-SM010
18	0	UA	GDX0005	S..	2	31-51-11	D00819			N2	2		SM001-SM010
18	0	UA	GDX0005	S..	2	31-51-11	D00819			N2	3		VF181-VF190
19	0	UA	D01433			31-51-11	GDX0002	S..	2	N2	2		SM001-SM010
19	0	UA	D01433			31-51-11	GDX0002	S..	2	N2	3		VF181-VF190
20	0	PA	GDX0005	D..	2	31-51-11	SM00029		W	N2			

286T0045-601
Wire Bundle Assembly
Figure 129 (Sheet 2)

25-71-02

WIRE		FROM EQUIPMENT			TO EQUIPMENT			WIRE INFO					
NUMBER	GA	TYP	NUMBER	TERM	TT	WDM REF	NUMBER	TERM	TT	EMC/ SEP	FT	NOTES	EFFECTIVITY
21	0	UA	GDX0002	S..	2	31-51-11	D01503			N2	2		SM001-SM010
21	0	UA	GDX0002	S..	2	31-51-11	D01503			N2	4		VF181-VF190
23	0	UA	D00815			31-51-11	GDX0002	S..	2	N2	2		SM001-SM010
23	0	UA	D00815			31-51-11	GDX0002	S..	2	N2	3		VF181-VF190
24	4	PK	D04349J	38		31-51-11	SM00005		W	N2	1	PAJ-F2	SM001-SM010
24	4	PK	D04349J	38		31-51-11	SM00005		W	N2	3		VF181-VF190
25	4	PK	D01503	A2		31-51-11	SM00005		W	N2	1	PAJ-F2	SM001-SM010
25	4	PK	D01503	A2		31-51-11	SM00005		W	N2	3		VF181-VF190
26	0	PA	D01503	A3		31-51-11	GDX0003	D..	2	N2	2		SM001-SM010
26	0	PA	D01503	A3		31-51-11	GDX0003	D..	2	N2	4		VF181-VF190
27	2	PQ	D01503	X2		31-51-11	D00811	75		N2	3		SM001-SM010
27	2	PQ	D01503	X2		31-51-11	D00811	75		N2	5		VF181-VF190
027Z			D00811	DED		31-51-11	D01503			N2			
28	4	PV	D01503	X1		31-51-11	SM00015		W	N2	1	PAJ-F2	SM001-SM010
28	4	PV	D01503	X1		31-51-11	SM00015		W	N2	3		VF181-VF190
028Z			SM00015	REF		31-51-11	D01503			N2		PAJ-F2	SM001-SM010
028Z			SM00015	REF		31-51-11	D01503			N2		PAJ-F2	VF181-VF190
29	4	PV	D00811	46		31-51-11	SM00015		W	N2	2		SM001-SM010
29	4	PV	D00811	46		31-51-11	SM00015		W	N2	3		VF181-VF190
029Z			SM00015	REF		31-51-11	D00811	DED		N2		PAJ-F2	SM001-SM010
029Z			SM00015	REF		31-51-11	D00811	DED		N2		PAJ-F2	VF181-VF190
30	4	PK	SM00015		W	31-51-11	D11553	35		N2	1	PAJ-F2	SM001-SM010
30	4	PK	SM00015		W	31-51-11	D11553	35		N2	3		VF181-VF190
32	0	PA	D11553	11		31-51-11	GDX0003	D..	2	N2	2		SM001-SM010
32	0	PA	D11553	11		31-51-11	GDX0003	D..	2	N2	4		VF181-VF190
33	4	PK	D11553	37		31-51-11	D00811	34		N2	3		SM001-SM010
33	4	PK	D11553	37		31-51-11	D00811	34		N2	5		VF181-VF190
34	4	PK	D11553	36		31-51-11	D00811	33		N2	3		SM001-SM010
34	4	PK	D11553	36		31-51-11	D00811	33		N2	5		VF181-VF190
35	2	PA	D00815	14		31-51-11	GDX0001	D..	2	N2	2		SM001-SM010
35	2	PA	D00815	14		31-51-11	GDX0001	D..	2	N2	4		VF181-VF190
36	4	PV	D00815	27		31-51-11	D00811	12		N2	3		SM001-SM010
36	4	PV	D00815	27		31-51-11	D00811	12		N2	4		VF181-VF190

286T0045-601
Wire Bundle Assembly
Figure 129 (Sheet 3)

25-71-02



BOEING
COMPONENT
MAINTENANCE MANUAL

WIRE			FROM EQUIPMENT			TO EQUIPMENT			WIRE INFO				
NUMBER	GA	TYP	NUMBER	TERM	TT	WDM REF	NUMBER	TERM	TT	EMC/ SEP	FT	NOTES	EFFECTIVITY
036Z			D00811	DED		31-51-11	D00815			N2			SM001-SM010
37	4	PV	D00815	32		31-51-11	D00811	17		N2	3		VF181-VF190
37	4	PV	D00815	32		31-51-11	D00811	17		N2	4		
037Z			D00811	DED		31-51-11	D00815			N2			SM001-SM010
38	4	PV	D00815	17		31-51-11	D00811	22		N2	3		VF181-VF190
38	4	PV	D00815	17		31-51-11	D00811	22		N2	4		
038Z			D00811	DED		31-51-11	D00815			N2			SM001-SM010
39	4	PK	D00815	54		31-51-11	SM00020		W	N2	1	PAJ-F2	VF181-VF190
39	4	PK	D00815	54		31-51-11	SM00020		W	N2	3		SM001-SM010
40	4	PK	D00811	63		31-51-11	SM00020		W	N2	2	PAJ-F2	VF181-VF190
40	4	PK	D00811	63		31-51-11	SM00020		W	N2	3		SM001-SM010
41	4	PK	D00823	35		31-51-11	SM00020		W	N2	1	PAJ-F2	VF181-VF190
41	4	PK	D00823	35		31-51-11	SM00020		W	N2	2		SM001-SM010
42	4	PK	D01381	35		31-51-11	SM00020		W	N2	1	PAJ-F2	VF181-VF190
42	4	PK	D01381	35		31-51-11	SM00020		W	N2	2		SM001-SM010
45	2	PA	D01381	14		31-51-11	GDX0001	D..	2	N2	2		VF181-VF190
45	2	PA	D01381	14		31-51-11	GDX0001	D..	2	N2	3		SM001-SM010
46	2	PA	D01381	48		31-51-11	GDX0003	D..	2	N2	2		VF181-VF190
46	2	PA	D01381	48		31-51-11	GDX0003	D..	2	N2	3		SM001-SM010
47	4	PV	D01381	27		31-51-11	D00811	11		N2	3		VF181-VF190
47	4	PV	D01381	27		31-51-11	D00811	11		N2	4		SM001-SM010
047Z			D00811	DED		31-51-11	D01381			N2			VF181-VF190
48	4	PV	D01381	32		31-51-11	D00811	16		N2	3		SM001-SM010
48	4	PV	D01381	32		31-51-11	D00811	16		N2	4		VF181-VF190
048Z			D00811	DED		31-51-11	D01381			N2			SM001-SM010
49	4	PV	D01381	17		31-51-11	D00811	21		N2	3		VF181-VF190
49	4	PV	D01381	17		31-51-11	D00811	21		N2	4		SM001-SM010
049Z			D00811	DED		31-51-11	D01381			N2			VF181-VF190
52	2	PA	D00823	14		31-51-11	GDX0001	D..	2	N2	2		SM001-SM010
52	2	PA	D00823	14		31-51-11	GDX0001	D..	2	N2	3		VF181-VF190
53	2	PA	D00823	48		31-51-11	GDX0003	D..	2	N2	2		SM001-SM010
53	2	PA	D00823	48		31-51-11	GDX0003	D..	2	N2	3		VF181-VF190
54	4	PV	D00823	27		31-51-11	D00811	10		N2	3		SM001-SM010

286T0045-601
Wire Bundle Assembly
Figure 129 (Sheet 4)

25-71-02

WIRE			FROM EQUIPMENT			TO EQUIPMENT			WIRE INFO				
NUMBER	GA	TYP	NUMBER	TERM	TT	WDM REF	NUMBER	TERM	TT	EMC/ SEP	FT	NOTES	EFFECTIVITY
54	4	PV	D00823	27		31-51-11	D00811	10		N2	4		VF181-VF190
054Z			D00811	DED		31-51-11	D00823			N2			SM001-SM010
55	4	PV	D00823	32		31-51-11	D00811	15		N2	3		VF181-VF190
55	4	PV	D00823	32		31-51-11	D00811	15		N2	4		VF181-VF190
055Z			D00811	DED		31-51-11	D00823			N2			SM001-SM010
56	4	PV	D00823	17		31-51-11	D00811	20		N2	3		VF181-VF190
56	4	PV	D00823	17		31-51-11	D00811	20		N2	4		VF181-VF190
056Z			D00811	DED		31-51-11	D00823			N2			SM001-SM010
57	2	PA	D00817	14		31-51-11	GDX0002	D..	2	N2	2		SM001-SM010
57	2	PA	D00817	14		31-51-11	GDX0002	D..	2	N2	4		VF181-VF190
58	4	PV	D00817	27		31-51-11	D00811	51		N2	3		SM001-SM010
58	4	PV	D00817	27		31-51-11	D00811	51		N2	5		VF181-VF190
058Z			D00811	DED		31-51-11	D00817			N2			SM001-SM010
59	4	PV	D00817	32		31-51-11	D00811	74		N2	3		VF181-VF190
59	4	PV	D00817	32		31-51-11	D00811	74		N2	5		VF181-VF190
059Z			D00811	DED		31-51-11	D00817			N2			SM001-SM010
60	4	PK	D00817	45		31-51-11	SM00021		W	N2	1	PAJ-F2	SM001-SM010
60	4	PK	D00817	45		31-51-11	SM00021		W	N2	3		VF181-VF190
61	4	PK	D00811	64		31-51-11	SM00021		W	N2	2	PAJ-F2	SM001-SM010
61	4	PK	D00811	64		31-51-11	SM00021		W	N2	3		VF181-VF190
62	4	PK	D01489	16		31-51-11	SM00021		W	N2	1	PAJ-F2	SM001-SM010
62	4	PK	D01489	16		31-51-11	SM00021		W	N2	3		VF181-VF190
63	4	PK	D01487	45		31-51-11	SM00021		W	N2	1	PAJ-F2	SM001-SM010
63	4	PK	D01487	45		31-51-11	SM00021		W	N2	3		VF181-VF190
64	4	PV	D01487	27		31-51-11	D00811	47		N2	3		SM001-SM010
64	4	PV	D01487	27		31-51-11	D00811	47		N2	5		VF181-VF190
064Z			D00811	DED		31-51-11	D01487			N2			SM001-SM010
65	4	PV	D01487	32		31-51-11	D00811	70		N2	3		VF181-VF190
65	4	PV	D01487	32		31-51-11	D00811	70		N2	5		VF181-VF190
065Z			D00811	DED		31-51-11	D01487			N2			SM001-SM010
66	2	PA	D01487	14		31-51-11	GDX0003	D..	2	N2	2		VF181-VF190
66	2	PA	D01487	14		31-51-11	GDX0003	D..	2	N2	4		SM001-SM010
67	4	PV	D01489	27		31-51-11	D00811	45		N2	3		SM001-SM010

286T0045-601
Wire Bundle Assembly
Figure 129 (Sheet 5)

25-71-02



BOEING
COMPONENT
MAINTENANCE MANUAL

WIRE			FROM EQUIPMENT			TO EQUIPMENT			WIRE INFO				
NUMBER	GA	TYP	NUMBER	TERM	TT	WDM REF	NUMBER	TERM	TT	EMC/SEP	FT	NOTES	EFFECTIVITY
67	4	PV	D01489	27		31-51-11	D00811	45		N2	5		VF181-VF190
067Z			D00811	DED		31-51-11	D01489			N2			
68	4	PV	D01489	32		31-51-11	D00811	50		N2	3		SM001-SM010
68	4	PV	D01489	32		31-51-11	D00811	50		N2	5		VF181-VF190
068Z			D00811	DED		31-51-11	D01489			N2			
69	4	PV	D01489	17		31-51-11	D00811	36		N2	3		SM001-SM010
69	4	PV	D01489	17		31-51-11	D00811	36		N2	5		VF181-VF190
069Z			D00811	DED		31-51-11	D01489			N2			
70	2	PA	D01489	14		31-51-11	GDX0003	D..	2	N2	2		SM001-SM010
70	2	PA	D01489	14		31-51-11	GDX0003	D..	2	N2	4		VF181-VF190
71	0	UA	D01381			31-51-11	GDX0002	S..	2	N2	2		SM001-SM010
71	0	UA	D01381			31-51-11	GDX0002	S..	2	N2	3		VF181-VF190
72	0	UA	D00823			31-51-11	GDX0002	S..	2	N2	2		SM001-SM010
72	0	UA	D00823			31-51-11	GDX0002	S..	2	N2	3		VF181-VF190
73	0	UA	D00817			31-51-11	GDX0002	S..	2	N2	2		SM001-SM010
73	0	UA	D00817			31-51-11	GDX0002	S..	2	N2	3		VF181-VF190
74	0	PA	SM00026			31-51-11	GDX0005	D..	2	N2	2		SM001-SM010
75	0	UA	D01487			31-51-11	GDX0005	S..	2	N2	2		VF181-VF190
75	0	UA	D01487			31-51-11	GDX0005	S..	2	N2	4		SM001-SM010
76	0	UA	GDX0005	S..	2	31-51-11	D01489			N2	2		VF181-VF190
76	0	UA	GDX0005	S..	2	31-51-11	D01489			N2	4		SM001-SM010
77	4	PK	D02261	40		31-41-35	D04349J	1		N2	2		VF181-VF190
77	4	PK	D02261	40		31-41-35	D04349J	1		N2	4		SM001-SM010
78	0	PA	SM00027			31-51-11	GDX0005	D..	2	N2	2		VF181-VF190
79	2	PA	D00813	60		31-51-12	GDX0003	S..	2	N2	2	UAE-F2	SM001-SM010
79	2	PA	D00813	60		31-51-12	GDX0003	S..	2	N2	4	UAE-F2	VF181-VF190
80	2	PA	D00821	15		31-51-12	GDX0002	D..	2	N2	2		SM001-SM010
80	2	PA	D00821	15		31-51-12	GDX0002	D..	2	N2	4		VF181-VF190
81	4	PV	D00821	30		31-51-12	D00813	26		N2	3	PAJ-F2	SM001-SM010
81	4	PV	D00821	30		31-51-12	D00813	26		N2	2		VF181-VF190
081Z			D00821			31-51-12	D00813	DED		N2		PAJ-T2	SM001-SM010
081Z			D00821			31-51-12	D00813	DED		N2		PAJ-T2	VF181-VF190
82	4	PV	D00821	33		31-51-12	D00813	49		N2	3	PAJ-F2	SM001-SM010

286T0045-601
Wire Bundle Assembly
Figure 129 (Sheet 6)

25-71-02

WIRE			FROM EQUIPMENT			TO EQUIPMENT			WIRE INFO				
NUMBER	GA	TYP	NUMBER	TERM	TT	WDM REF	NUMBER	TERM	TT	EMC/ SEP	FT	NOTES	EFFECTIVITY
82	4	PV	D00821	33		31-51-12	D00813	49		N2	2		VF181-VF190
082Z			D00821			31-51-12	D00813	DED		N2		PAJ-T2	SM001-SM010
082Z			D00821			31-51-12	D00813	DED		N2			VF181-VF190
83	4	PV	D00821	24		31-51-12	D00813	35		N2	3	PAJ-F2	SM001-SM010
83Z	4	PV	D00821	24		31-51-12	D00813	35		N2	5	PAJ-F2	VF181-VF190
083Z			D00813	DED		31-51-12	D00821			N2			SM001-SM010
083Z			D00813	DED		31-51-12	D00821			N2			VF181-VF190
84	4	PK	D00821	19		31-51-12	SM00025		W	N2	1	PAJ-F2	SM001-SM010
84Z	4	PK	D00821	19		31-51-12	SM00025		W	N2	3	PAJ-F2	VF181-VF190
85	4	PK	D00813	65		31-51-12	SM00025		W	N2	2	PAJ-F2	SM001-SM010
85Z	4	PK	D00813	65		31-51-12	SM00025		W	N2	4	PAJ-F2	VF181-VF190
86	4	PK	D00819	3		31-51-12	SM00025		W	N2	1	PAJ-F2	SM001-SM010
86Z	4	PK	D00819	3		31-51-12	SM00025		W	N2	3	PAJ-F2	VF181-VF190
87	4	PK	D01433	18		31-51-12	SM00025		W	N2	1	PAJ-T2	SM001-SM010
87Z	4	PK	D01433	18		31-51-12	SM00025		W	N2	2		VF181-VF190
88	2	PA	D01433	15		31-51-12	GDX0002	D..	2	N2	2		SM001-SM010
88Z	2	PA	D01433	15		31-51-12	GDX0002	D..	2	N2	3		VF181-VF190
89	4	PV	D01433	30		31-51-12	SM00054		W	N2	1	PAJ-F2	SM001-SM010
89Z	4	PV	D01433	30		31-51-12	SM00054		W	N2	5	PAJ-T2	VF181-VF190
089Z			SM00054	REF		31-51-12	D01433			N2			SM001-SM010
089Z			SM00054	REF		31-51-12	D01433			N2			VF181-VF190
90	4	PV	D01433	33		31-51-12	SM00055		W	N2	1	PAJ-F2	SM001-SM010
90Z	4	PV	D01433	33		31-51-12	SM00055		W	N2	5	PAJ-T2	VF181-VF190
090Z			SM00055	REF		31-51-12	D01433			N2			SM001-SM010
090Z			SM00055	REF		31-51-12	D01433			N2			VF181-VF190
91	4	PV	D01433	24		31-51-12	SM00056		W	N2	1	PAJ-F2	SM001-SM010
91Z	4	PV	D01433	24		31-51-12	SM00056		W	N2	5	PAJ-T2	VF181-VF190
091Z			SM00056	REF		31-51-12	D01433			N2			SM001-SM010
091Z			SM00056	REF		31-51-12	D01433			N2			VF181-VF190
92	2	PA	D00819	15		31-51-12	GDX0002	D..	2	N2	2		SM001-SM010
92Z	2	PA	D00819	15		31-51-12	GDX0002	D..	2	N2	3		VF181-VF190
93	4	PV	D00819	30		31-51-12	D00813	13		N2	3		SM001-SM010
93Z	4	PV	D00819	30		31-51-12	D00813	13		N2	4		VF181-VF190

286T0045-601
Wire Bundle Assembly
Figure 129 (Sheet 7)

25-71-02

TESTING & TROUBLE SHOOTING
01 Page 172P
Nov 01/02



BOEING
COMPONENT
MAINTENANCE MANUAL

WIRES			FROM EQUIPMENT			TO EQUIPMENT			WIRES INFO				
NUMBER	GA	TYP	NUMBER	TERM	TT	WDM REF	NUMBER	TERM	TT	EMC/SEP	FT	NOTES	EFFECTIVITY
093Z			D00813	DED		31-51-12	D00819			N2			SM001-SM010
94	0	PA	SM00032		W	31-51-12	GDX0005	D..	2	N2	3		VF181-VF190
95	4	PV	D01505	X2		31-51-12	D00813	75		N2	5		
95	4	PV	D01505	X2		31-51-12	D00813	75		N2			
095Z			D00813	DED		31-51-12	D01505			N2			SM001-SM010
96	4	PV	D01505	X1		31-51-12	SM00016		W	N2	1	PAJ-F2	VF181-VF190
96	4	PV	D01505	X1		31-51-12	SM00016		W	N2	3		SM001-SM010
096Z			SM00016	REF		31-51-12	D01505			N2		PAJ-F2	VF181-VF190
096Z			SM00016	REF		31-51-12	D01505			N2			SM001-SM010
97	4	PV	D00813	46		31-51-12	SM00016		W	N2	2	PAJ-F2	VF181-VF190
97	4	PV	D00813	46		31-51-12	SM00016		W	N2	4		SM001-SM010
097Z			SM00016	REF		31-51-12	D00813	DED		N2		PAJ-F2	VF181-VF190
097Z			SM00016	REF		31-51-12	D00813	DED		N2			SM001-SM010
98	0	PA	SM00033		W	31-51-12	GDX0005	D..	2	N2	1	PAJ-F2	VF181-VF190
99	4	PK	SM00016		W	31-51-12	D11553	25		N2	3		SM001-SM010
99	4	PK	SM00016		W	31-51-12	D11553	25		N2	2		VF181-VF190
100	0	PA	D11553	1		31-51-12	GDX0003	D..	2	N2	2		SM001-SM010
100	0	PA	D11553	1		31-51-12	GDX0003	D..	2	N2	4		VF181-VF190
101	0	UA	D00821			31-51-12	GDX0004	S..	2	N2	2		SM001-SM010
101	0	UA	D00821			31-51-12	GDX0004	S..	2	N2	4		VF181-VF190
102	0	UA	D00819			31-51-12	GDX0004	S..	2	N2	2		SM001-SM010
102	0	UA	D00819			31-51-12	GDX0004	S..	2	N2	3		VF181-VF190
103	0	UA	D01433			31-51-12	GDX0004	S..	2	N2	2		SM001-SM010
103	0	UA	D01433			31-51-12	GDX0004	S..	2	N2	3		VF181-VF190
104	0	UA	D01505			31-51-12	GDX0005	S..	2	N2	2		SM001-SM010
104	0	UA	D01505			31-51-12	GDX0005	S..	2	N2	4		VF181-VF190
106	0	UA	D00815			31-51-12	GDX0004	S..	2	N2	2		SM001-SM010
106	0	UA	D00815			31-51-12	GDX0004	S..	2	N2	3		VF181-VF190
107	0	UA	D01381			31-51-12	GDX0004	S..	2	N2	2		SM001-SM010
107	0	UA	D01381			31-51-12	GDX0004	S..	2	N2	3		VF181-VF190
109	0	UA	D00817			31-51-12	GDX0004	S..	2	N2	2		SM001-SM010
109	0	UA	D00817			31-51-12	GDX0004	S..	2	N2	4		VF181-VF190
110	0	UA	D01487			31-51-12	GDX0001	S..	2	N2	2		SM001-SM010

286T0045-601
Wire Bundle Assembly
Figure 129 (Sheet 8)

25-71-02



COMPONENT
MAINTENANCE MANUAL

WIRE			FROM EQUIPMENT			TO EQUIPMENT			WIRE INFO				
NUMBER	GA	TYP	NUMBER	TERM	TT	WDM REF	NUMBER	TERM	TT	EMC/SEP	FT	NOTES	EFFECTIVITY
110	0	UA	D01487			31-51-12	GDX0001	S..	2	N2	4		VF181-VF190
111	0	UA	D01489			31-51-12	GDX0001	S..	2	N2	2		SM001-SM010
111	0	UA	D01489			31-51-12	GDX0001	S..	2	N2	4		VF181-VF190
112	2	PA	D00815	15		31-51-12	GDX0001	D..	2	N2	2		SM001-SM010
112	2	PA	D00815	15		31-51-12	GDX0001	D..	2	N2	4		VF181-VF190
113	4	PK	D01505	A2		31-51-12	SM00005		W	N2	1	PAJ-F2	SM001-SM010
113	4	PK	D01505	A2		31-51-12	SM00005		W	N2	3		VF181-VF190
114	0	PA	D01505	A3		31-51-12	GDX0003	D..	2	N2	2		SM001-SM010
114	0	PA	D01505	A3		31-51-12	GDX0003	D..	2	N2	4		VF181-VF190
115	4	PK	D02261	21		21-61-51	D04347J	25		N2	2		SM001-SM010
115	4	PK	D02261	21		21-61-51	D04347J	25		N2	4		VF181-VF190
116	4	PK	D00815	21		31-51-12	SM00023		W	N2	1	PAJ-F2	SM001-SM010
116	4	PK	D00815	21		31-51-12	SM00023		W	N2	3		VF181-VF190
117	4	PK	D00813	63		31-51-12	SM00023		W	N2	2	PAJ-F2	SM001-SM010
117	4	PK	D00813	63		31-51-12	SM00023		W	N2	4		VF181-VF190
118	4	PK	D00823	1		31-51-12	SM00023		W	N2	1	PAJ-F2	SM001-SM010
118	4	PK	D00823	1		31-51-12	SM00023		W	N2	2		VF181-VF190
119	4	PK	D01381	1		31-51-12	SM00023		W	N2	1	PAJ-F2	SM001-SM010
119	4	PK	D01381	1		31-51-12	SM00023		W	N2	2		VF181-VF190
120	2	PA	D01381	15		31-51-12	GDX0001	D..	2	N2	2		SM001-SM010
120	2	PA	D01381	15		31-51-12	GDX0001	D..	2	N2	3		VF181-VF190
121	4	PK	D00817	56		31-51-12	SM00024		W	N2	1	PAJ-F2	SM001-SM010
121	4	PK	D00817	56		31-51-12	SM00024		W	N2	3		VF181-VF190
122	4	PK	D00813	64		31-51-12	SM00024		W	N2	2	PAJ-F2	SM001-SM010
122	4	PK	D00813	64		31-51-12	SM00024		W	N2	4		VF181-VF190
123	4	PK	D01487	56		31-51-12	SM00024		W	N2	1	PAJ-F2	SM001-SM010
123	4	PK	D01487	56		31-51-12	SM00024		W	N2	3		VF181-VF190
124	2	PA	D00823	15		31-51-12	GDX0001	D..	2	N2	2		SM001-SM010
124	2	PA	D00823	15		31-51-12	GDX0001	D..	2	N2	3		VF181-VF190
125	0	UA	D00823			31-51-12	GDX0004	S..	2	N2	2		SM001-SM010
125	0	UA	D00823			31-51-12	GDX0004	S..	2	N2	3		VF181-VF190
126	4	PV	D00823	33		31-51-12	D00813	15		N2	3		SM001-SM010
126	4	PV	D00823	33		31-51-12	D00813	15		N2	5		VF181-VF190

286T0045-601
Wire Bundle Assembly
Figure 129 (Sheet 9)

25-71-02



BOEING
COMPONENT
MAINTENANCE MANUAL

WIRE			FROM EQUIPMENT			TO EQUIPMENT			WIRE INFO				
NUMBER	GA	TYP	NUMBER	TERM	TT	WDM REF	NUMBER	TERM	TT	EMC/SEP	FT	NOTES	EFFECTIVITY
126Z			D00823			31-51-12	D00813	DED		N2			SM001-SM010
127	4	PV	D00823	24		31-51-12	D00813	20		N2	3		VF181-VF190
127	4	PV	D00823	24		31-51-12	D00813	20		N2	5		
127Z			D00823			31-51-12	D00813	DED		N2			
128	2	PA	D00817	15		31-51-12	GDX0002	D..	2	N2	2		SM001-SM010
128	2	PA	D00817	15		31-51-12	GDX0002	D..	2	N2	4		VF181-VF190
129	4	PV	D00817	30		31-51-12	D00813	51		N2	3		SM001-SM010
129	4	PV	D00817	30		31-51-12	D00813	51		N2	5		VF181-VF190
129Z			D00817			31-51-12	D00813	DED		N2			
130	4	PV	D00817	33		31-51-12	D00813	74		N2	3		SM001-SM010
130	4	PV	D00817	33		31-51-12	D00813	74		N2	5		VF181-VF190
130Z			D00817			31-51-12	D00813	DED		N2			
131	4	PV	D00813	11		31-51-12	D01381	30		N2	3		SM001-SM010
131	4	PV	D00813	11		31-51-12	D01381	30		N2	5		VF181-VF190
131Z			D01381			31-51-12	D00813	DED		N2			
132	4	PV	D00813	16		31-51-12	D01381	33		N2	3		SM001-SM010
132	4	PV	D00813	16		31-51-12	D01381	33		N2	5		VF181-VF190
132Z			D01381			31-51-12	D00813	DED		N2			
133	4	PV	D01381	24		31-51-12	D00813	21		N2	3		SM001-SM010
133	4	PV	D01381	24		31-51-12	D00813	21		N2	5		VF181-VF190
133Z			D01381			31-51-12	D00813	DED		N2			
134	4	PK	D01489	50		31-51-12	SM00024		W	N2	1	PAJ-F2	SM001-SM010
134	4	PK	D01489	50		31-51-12	SM00024		W	N2	3		VF181-VF190
135	4	PV	D01487	30		31-51-12	D00813	47		N2	3		SM001-SM010
135	4	PV	D01487	30		31-51-12	D00813	47		N2	5		VF181-VF190
135Z			D01487			31-51-12	D00813	DED		N2			
136	4	PV	D01487	33		31-51-12	D00813	70		N2	3		SM001-SM010
136	4	PV	D01487	33		31-51-12	D00813	70		N2	5		VF181-VF190
136Z			D01487			31-51-12	D00813	DED		N2			
137	2	PA	D01487	15		31-51-12	GDX0003	D..	2	N2	2		SM001-SM010
137	2	PA	D01487	15		31-51-12	GDX0003	D..	2	N2	4		VF181-VF190
138	4	PV	D01489	30		31-51-12	D00813	45		N2	3		SM001-SM010
138	4	PV	D01489	30		31-51-12	D00813	45		N2	5		VF181-VF190

286T0045-601
Wire Bundle Assembly
Figure 129 (Sheet 10)

25-71-02

WIRE		FROM EQUIPMENT			TO EQUIPMENT			WIRE INFO					
NUMBER	GA	TYP	NUMBER	TERM	TT	WDM REF	NUMBER	TERM	TT	EMC/SEP	FT	NOTES	EFFECTIVITY
138Z			D01489			31-51-12	D00813	DED		N2			SM001-SM010
139	4	PV	D01489	33		31-51-12	D00813	50		N2	3		VF181-VF190
139	4	PV	D01489	33		31-51-12	D00813	50		N2	5		
139Z			D01489			31-51-12	D00813	DED		N2			
140	4	PV	D01489	24		31-51-12	D00813	36		N2	3		SM001-SM010
140	4	PV	D01489	24		31-51-12	D00813	36		N2	5		VF181-VF190
140Z			D01489			31-51-12	D00813	DED		N2			
141	2	PA	D01489	15		31-51-12	GDX0003	D..	2	N2	2		SM001-SM010
141	2	PA	D01489	15		31-51-12	GDX0003	D..	2	N2	4		VF181-VF190
142	4	PK	D00813	33		31-51-12	D11553	26		N2	3		SM001-SM010
142	4	PK	D00813	33		31-51-12	D11553	26		N2	6		VF181-VF190
143	4	PK	D11553	27		31-51-12	D00813	34		N2	3		SM001-SM010
143	4	PK	D11553	27		31-51-12	D00813	34		N2	6		VF181-VF190
144	4	PV	D00813	12		31-51-12	D00815	30		N2	3		SM001-SM010
144	4	PV	D00813	12		31-51-12	D00815	30		N2	5		VF181-VF190
144Z			D00813	DED		31-51-12	D00815			N2			
145	0	PA	SM00030		W	31-51-12	GDX0005	D..	2	N2			
146	4	PV	D00813	17		31-51-12	D00815	33		N2	3		SM001-SM010
146	4	PV	D00813	17		31-51-12	D00815	33		N2	5		VF181-VF190
146Z			D00813	DED		31-51-12	D00815			N2			
147	4	PV	D00813	22		31-51-12	D00815	24		N2	3		SM001-SM010
147	4	PV	D00813	22		31-51-12	D00815	24		N2	5		VF181-VF190
147Z			D00813	DED		31-51-12	D00815			N2			
148	4	PV	D00813	10		31-51-12	D00823	30		N2	3		SM001-SM010
148	4	PV	D00813	10		31-51-12	D00823	30		N2	5		VF181-VF190
148Z			D00813	DED		31-51-12	D00823			N2			
149	0	PA	SM00031		W	31-51-12	GDX0005	D..	2	N2			
150	2	PA	D04301J	6		27-32-11	D00823	34		N2	2		SM001-SM010
150	2	PA	D04301J	6		27-32-11	D00823	34		N2	4		VF181-VF190
151	4	PK	D04509J	1		27-32-11	D00823	39		N2	2		SM001-SM010
151	4	PK	D04509J	1		27-32-11	D00823	39		N2	3		VF181-VF190
152	4	PK	D04347J	26		27-32-11	D00823	40		N2	2		SM001-SM010
152	4	PK	D04347J	26		27-32-11	D00823	40		N2	4		VF181-VF190

286T0045-601
Wire Bundle Assembly
Figure 129 (Sheet 11)

25-71-02



BOEING
COMPONENT
MAINTENANCE MANUAL

WIRE			FROM EQUIPMENT			TO EQUIPMENT			WIRE INFO				
NUMBER	GA	TYP	NUMBER	TERM	TT	WDM REF	NUMBER	TERM	TT	EMC/SEP	FT	NOTES	EFFECTIVITY
153	4	PK	D00823	31		27-32-11	D04509J	6		N2	2		SM001-SM010
153	4	PK	D00823	31		27-32-11	D04509J	6		N2	3		VF181-VF190
154	0	PA	D04509J	7		27-32-11	GDX0001	D..	2	N2	2		SM001-SM010
154	0	PA	D04509J	7		27-32-11	GDX0001	D..	2	N2	4		VF181-VF190
155	4	PK	SM00037		W	27-32-11	D04511J	3		N2	1	PAJ-F2	SM001-SM010
155	4	PK	SM00037		W	27-32-11	D04511J	3		N2	3		VF181-VF190
156	4	PK	D00823	38		27-32-11	D04511J	2		N2	2		SM001-SM010
156	4	PK	D00823	38		27-32-11	D04511J	2		N2	4		VF181-VF190
157	4	PK	D04511J	4		27-32-11	SM00050		W	N2	1	PAJ-F2	SM001-SM010
157	4	PK	D04511J	4		27-32-11	SM00050		W	N2	4		VF181-VF190
158	4	PK	SM00037		W	27-32-11	D00823	4		N2	4		SM001-SM010
158	4	PK	SM00037		W	27-32-11	D00823	4		N2	1		VF181-VF190
159	4	PK	D04349J	14		27-32-11	D00823	36		N2	1		SM001-SM010
159	4	PK	D04349J	14		27-32-11	D00823	36		N2	4		VF181-VF190
160	4	PK	D04349J	15		27-32-11	D00823	3		N2	1		SM001-SM010
160	4	PK	D04349J	15		27-32-11	D00823	3		N2	4		VF181-VF190
161	4	PK	D04349J	16		27-32-11	D00823	43		N2	1		SM001-SM010
161	4	PK	D04349J	16		27-32-11	D00823	43		N2	4		VF181-VF190
162	4	PK	D04349J	10		27-32-11	D00823	2		N2	1		SM001-SM010
162	4	PK	D04349J	10		27-32-11	D00823	2		N2	4		VF181-VF190
165	2	PA	D04349J	11		27-32-21	D01381	34		N2	2		SM001-SM010
165	2	PA	D04349J	11		27-32-21	D01381	34		N2	4		VF181-VF190
166	4	PK	D01381	40		27-32-21	D04349J	6		N2	2		SM001-SM010
166	4	PK	D01381	40		27-32-21	D04349J	6		N2	4		VF181-VF190
167	4	PK	D01381	31		27-32-21	D04511J	7		N2	2		SM001-SM010
167	4	PK	D01381	31		27-32-21	D04511J	7		N2	4		VF181-VF190
168	0	PA	GDX0002	D..	2	27-32-21	D04511J	8		N2	2		SM001-SM010
168	0	PA	GDX0002	D..	2	27-32-21	D04511J	8		N2	4		VF181-VF190
169	4	PK	D04349J	34		27-32-21	D01381	36		N2	2		SM001-SM010
169	4	PK	D04349J	34		27-32-21	D01381	36		N2	4		VF181-VF190
170	4	PK	D04349J	35		27-32-21	D01381	3		N2	2		SM001-SM010
170	4	PK	D04349J	35		27-32-21	D01381	3		N2	4		VF181-VF190
171	4	PK	D04349J	36		27-32-21	D01381	43		N2	2		SM001-SM010

286T0045-601
Wire Bundle Assembly
Figure 129 (Sheet 12)

25-71-02

WIRE			FROM EQUIPMENT			TO EQUIPMENT			WIRE INFO				
NUMBER	GA	TYP	NUMBER	TERM	TT	WDM REF	NUMBER	TERM	TT	EMC/ SEP	FT	NOTES	EFFECTIVITY
171	4	PK	D04349J	36		27-32-21	D01381	43		N2	4		VF181-VF190
172	4	PK	D04349J	37		27-32-21	D01381	2		N2	2		SM001-SM010
172	4	PK	D04349J	37		27-32-21	D01381	2		N2	4		VF181-VF190
173	4	PK	D04511J	13		27-32-21	D01381	4		N2	2		SM001-SM010
173	4	PK	D04511J	13		27-32-21	D01381	4		N2	4		VF181-VF190
174	4	PK	D04511J	16		27-32-21	D01381	37		N2	2		SM001-SM010
174	4	PK	D04511J	16		27-32-21	D01381	37		N2	4		VF181-VF190
175	4	PK	D04511J	15		27-32-21	D01381	38		N2	2		SM001-SM010
175	4	PK	D04511J	15		27-32-21	D01381	38		N2	4		VF181-VF190
176	4	PK	D04509J	8		27-32-21	D01381	39		N2	2		SM001-SM010
176	4	PK	D04509J	8		27-32-21	D01381	39		N2	4		VF181-VF190
177	4	PK	D00815	34		31-51-21	SM00057		W	N2	1	PAJ-F2	SM001-SM010
177	4	PK	D00815	34		31-51-21	SM00057		W	N2	2		VF181-VF190
178	4	PK	D00815	43		31-51-21	D01433	19		N2	2		SM001-SM010
178	4	PK	D00815	43		31-51-21	D01433	19		N2	4		VF181-VF190
179	4	PK	D00815	10		31-51-21	D00819	5		N2	2		SM001-SM010
179	4	PK	D00815	10		31-51-21	D00819	5		N2	3		VF181-VF190
180	4	PK	D04507J	5		31-51-21	SM00034		W	N2	1	PAJ-F2	SM001-SM010
180	4	PK	D04507J	5		31-51-21	SM00034		W	N2	3		VF181-VF190
181	4	PK	SM00058		W	31-51-21	D00815	66		N2	1	PAJ-F2	SM001-SM010
181	4	PK	SM00058		W	31-51-21	D00815	66		N2	2		VF181-VF190
182	4	PK	D00815	4		31-51-21	SM00034		W	N2	1	PAJ-F2	SM001-SM010
182	4	PK	D00815	4		31-51-21	SM00034		W	N2	3		VF181-VF190
183	4	PK	D00815	11		31-51-21	D04349J	39		N2	2		SM001-SM010
183	4	PK	D00815	11		31-51-21	D04349J	39		N2	5		VF181-VF190
184	2	PA	D00815	37		31-51-21	SM00035		W	N2	1	PAJ-F2	SM001-SM010
184	2	PA	D00815	37		31-51-21	SM00035		W	N2	3		VF181-VF190
185	2	PA	D00815	42		31-51-21	SM00036		W	N2	1	PAJ-F2	SM001-SM010
185	2	PA	D00815	42		31-51-21	SM00036		W	N2	3		VF181-VF190
186	4	PK	D04349J	5		31-51-21	SM00012		W	N2	1	PAJ-F2	SM001-SM010
186	4	PK	D04349J	5		31-51-21	SM00012		W	N2	3		VF181-VF190
187	4	PK	D00815	2		31-51-21	SM00012		W	N2	1	PAJ-F2	SM001-SM010
187	4	PK	D00815	2		31-51-21	SM00012		W	N2	3		VF181-VF190

286T0045-601
Wire Bundle Assembly
Figure 129 (Sheet 13)

25-71-02



BOEING
COMPONENT
MAINTENANCE MANUAL

WIRE			FROM EQUIPMENT			TO EQUIPMENT			WIRE INFO				
NUMBER	GA	TYP	NUMBER	TERM	TT	WDM REF	NUMBER	TERM	TT	EMC/ SEP	FT	NOTES	EFFECTIVITY
188	4	PK	SM00011		W	31-51-21	D04349J	4		N2	1	PAJ-F2	SM001-SM010
188	4	PK	SM00011		W	31-51-21	D04349J	4		N2	3		VF181-VF190
189	4	PK	SM00011		W	31-51-21	D00815	35		N2	1	PAJ-F2	SM001-SM010
189	4	PK	SM00011		W	31-51-21	D00815	35		N2	3		VF181-VF190
190	4	PK	D04349J	12		31-51-21	SM00009		W	N2	1	PAJ-F2	SM001-SM010
190	4	PK	D04349J	12		31-51-21	SM00009		W	N2	3		VF181-VF190
191	4	PK	D00815	44		31-51-21	SM00009		W	N2	1	PAJ-F2	SM001-SM010
191	4	PK	D00815	44		31-51-21	SM00009		W	N2	3		VF181-VF190
192	4	PK	D04347J	10		31-51-21	SM00008		W	N2	1	PAJ-F2	SM001-SM010
192	4	PK	D04347J	10		31-51-21	SM00008		W	N2	3		VF181-VF190
193	4	PK	D00815	1		31-51-21	SM00008		W	N2	1	PAJ-F2	SM001-SM010
193	4	PK	D00815	1		31-51-21	SM00008		W	N2	3		VF181-VF190
194	4	PK	D04347J	11		31-51-21	SM00010		W	N2	1	PAJ-F2	SM001-SM010
194	4	PK	D04347J	11		31-51-21	SM00010		W	N2	3		VF181-VF190
195	4	PK	D00815	36		31-51-21	SM00010		W	N2	1	PAJ-F2	SM001-SM010
195	4	PK	D00815	36		31-51-21	SM00010		W	N2	3		VF181-VF190
196	4	PK	SM00039		W	31-51-21	D04347J	21		N2	1	PAJ-F2	SM001-SM010
196	4	PK	SM00039		W	31-51-21	D04347J	21		N2	3		VF181-VF190
197	4	PK	D00815	45		31-51-21	SM00039		W	N2	1	PAJ-F2	SM001-SM010
197	4	PK	D00815	45		31-51-21	SM00039		W	N2	3		VF181-VF190
198	4	PK	D00815	46		31-51-21	D04347J	6		N2	2		SM001-SM010
198	4	PK	D00815	46		31-51-21	D04347J	6		N2	5		VF181-VF190
199	0	PA	GDX0004	S..	2	31-51-31	D04597J	14		N2	2		SM001-SM010
199	0	PA	GDX0004	S..	2	31-51-31	D04597J	14		N2	4		VF181-VF190
201B	4	PW	D01489	43		31-51-33	SM00004		W	N2	1	PAJ-F2	SM001-SM010
201B	4	PW	D01489	43		31-51-33	SM00004		W	N2	4		VF181-VF190
201R	4	PW	D01489	9		31-51-33	SM00003		W	N2		PAJ-F2	SM001-SM010
201R	4	PW	D01489	9		31-51-33	SM00003		W	N2			VF181-VF190
201Z			D01489	DED		31-51-33	SM00003	REF		N2		PAJ-F2	SM001-SM010
201Z			D01489	DED		31-51-33	SM00003	REF		N2			VF181-VF190
204	0	UA	D04507J			27-32-11	GDX0004	S..	2	N2	2		SM001-SM010
204	0	UA	D04507J			27-32-11	GDX0004	S..	2	N2	4		VF181-VF190
204B	4	PW	D00823	18		27-32-11	D04507J	12		N2	1		SM001-SM010

286T0045-601
Wire Bundle Assembly
Figure 129 (Sheet 14)

25-71-02



COMPONENT
MAINTENANCE MANUAL

WIRE			FROM EQUIPMENT			TO EQUIPMENT			WIRE INFO				
NUMBER	GA	TYP	NUMBER	TERM	TT	WDM REF	NUMBER	TERM	TT	EMC/ SEP	FT	NOTES	EFFECTIVITY
204B	4	PW	D00823	18		27-32-11	D04507J	12		N2	3		VF181-VF190
204R	4	PW	D00823	16		27-32-11	D04507J	11		N2			
204Z			D04507J			27-32-11	D00823	DED		N2			
205B	4	PW	D00815	19		31-51-21	SM00007		W	N2	1	PAJ-F2	SM001-SM010
205B	4	PW	D00815	19		31-51-21	SM00007		W	N2	3		VF181-VF190
205R	4	PW	D00815	52		31-51-21	SM00006		W	N2		PAJ-F2	SM001-SM010
205R	4	PW	D00815	52		31-51-21	SM00006		W	N2			VF181-VF190
205Z			D00815	DED		31-51-21	SM00006	REF		N2		PAJ-F2	SM001-SM010
205Z			D00815	DED		31-51-21	SM00006	REF		N2			VF181-VF190
207	0	UA	D04597J			31-51-21	GDX0004	S..	2	N2	2		SM001-SM010
207	0	UA	D04597J			31-51-21	GDX0004	S..	2	N2	4		VF181-VF190
207B	4	PW	SM00007		W	31-51-21	D04597J	4		N2	1	PAJ-F2	SM001-SM010
207B	4	PW	SM00007		W	31-51-21	D04597J	4		N2	3		VF181-VF190
207R	4	PW	SM00006		W	31-51-21	D04597J	3		N2		PAJ-F2	SM001-SM010
207R	4	PW	SM00006		W	31-51-21	D04597J	3		N2			VF181-VF190
207Z			SM00006	REF		31-51-21	D04597J			N2		PAJ-F2	SM001-SM010
207Z			SM00006	REF		31-51-21	D04597J			N2			VF181-VF190
208	0	UA	D04301J			34-16-11	GDX0002	S..	2	N2	2		SM001-SM010
208	0	UA	D04301J			34-16-11	GDX0002	S..	2	N2	4		VF181-VF190
208B	4	PW	D00821	36		34-16-11	D04301J	9		N2	2		SM001-SM010
208B	4	PW	D00821	36		34-16-11	D04301J	9		N2	4		VF181-VF190
208R	4	PW	D00821	2		34-16-11	D04301J	8		N2			SM001-SM010
208Z			D00821	DED		34-16-11	D04301J			N2		PAJ-F2	VF181-VF190
209B	4	PW	D01489	46		31-51-33	SM00007		W	N2	1		SM001-SM010
209B	4	PW	D01489	46		31-51-33	SM00007		W	N2	4		VF181-VF190
209R	4	PW	D01489	12		31-51-33	SM00006		W	N2		PAJ-F2	SM001-SM010
209R	4	PW	D01489	12		31-51-33	SM00006		W	N2			VF181-VF190
209Z			D01489	DED		31-51-33	SM00006	REF		N2		PAJ-F2	SM001-SM010
209Z			D01489	DED		31-51-33	SM00006	REF		N2			VF181-VF190
212B	4	PW	D01433	36		31-51-42	SM00007		W	N2	1		SM001-SM010
212B	4	PW	D01433	36		31-51-42	SM00007		W	N2	2		VF181-VF190
212R	4	PW	D01433	2		31-51-42	SM00006		W	N2		PAJ-F2	SM001-SM010
212R	4	PW	D01433	2		31-51-42	SM00006		W	N2			VF181-VF190

286T0045-601
Wire Bundle Assembly
Figure 129 (Sheet 15)

25-71-02



BOEING
COMPONENT
MAINTENANCE MANUAL

WIRE			FROM EQUIPMENT			TO EQUIPMENT			WIRE INFO			
NUMBER	GA	TYP	NUMBER	TERM TT	WDM REF	NUMBER	TERM TT	EMC/SEP	FT	NOTES	EFFECTIVITY	
212Z			D01433	DED	31-51-42	SM00006	REF	N2		PAJ-F2	SM001-SM010	
212Z			D01433	DED	31-51-42	SM00006	REF	N2	2		VF181-VF190	
213	0	UA	D04507J		34-16-11	GDX0004	S..	N2	2		SM001-SM010	
213	0	UA	D04507J		34-16-11	GDX0004	S..	N2	4		VF181-VF190	
213B	4	PW	D00821	35	34-16-11	D04507J	8	N2	2		SM001-SM010	
213B	4	PW	D00821	35	34-16-11	D04507J	8	N2	4		VF181-VF190	
213R	4	PW	D00821	1	34-16-11	D04507J	9	N2				
213Z			D00821	DED	34-16-11	D04507J		N2				
214	0	UA	D04349J		34-16-11	GDX0004	S..	N2	2		SM001-SM010	
214	0	UA	D04349J		34-16-11	GDX0004	S..	N2	4		VF181-VF190	
214B	4	PW	D00821	37	34-16-11	D04349J	19	N2	2		SM001-SM010	
214B	4	PW	D00821	37	34-16-11	D04349J	19	N2	4		VF181-VF190	
214R	4	PW	D00821	3	34-16-11	D04349J	18	N2				
214Z			D00821	DED	34-16-11	D04349J		N2				
215B	4	PL	D01487	24	31-51-31	D04597J	12	N2	2		SM001-SM010	
215B	4	PL	D01487	24	31-51-31	D04597J	12	N2	4		VF181-VF190	
215R	4	PL	D01487	23	31-51-31	D04597J	13	N2				
216B	4	PL	D00817	24	31-51-32	D04303J	12	N2	2		SM001-SM010	
216B	4	PL	D00817	24	31-51-32	D04303J	12	N2	4		VF181-VF190	
216R	4	PL	D00817	23	31-51-32	D04303J	11	N2				
221B	4	PW	D01489	45	31-51-33	SM00004		N2	1	PAJ-F2	SM001-SM010	
221B	4	PW	D01489	45	31-51-33	SM00004		N2	4		VF181-VF190	
221R	4	PW	D01489	11	31-51-33	SM00003		N2		PAJ-F2	SM001-SM010	
221R	4	PW	D01489	11	31-51-33	SM00003		N2		PAJ-F2	VF181-VF190	
221Z			D01489	DED	31-51-33	SM00003	REF	N2			SM001-SM010	
221Z			D01489	DED	31-51-33	SM00003	REF	N2			VF181-VF190	
223B	4	PW	D00821	38	34-16-11	SM00004		N2	1	PAJ-F2	SM001-SM010	
223B	4	PW	D00821	38	34-16-11	SM00004		N2	3		VF181-VF190	
223R	4	PW	D00821	4	34-16-11	SM00003		N2		PAJ-F2	SM001-SM010	
223R	4	PW	D00821	4	34-16-11	SM00003		N2		PAJ-F2	VF181-VF190	
223Z			D00821	DED	34-16-11	SM00003	REF	N2			SM001-SM010	
223Z			D00821	DED	34-16-11	SM00003	REF	N2			VF181-VF190	
224	0	UA	D04349J		27-32-21	GDX0004	S..	N2	2		SM001-SM010	

286T0045-601
Wire Bundle Assembly
Figure 129 (Sheet 16)

25-71-02

WIRE			FROM EQUIPMENT			TO EQUIPMENT			WIRE INFO				
NUMBER	GA	TYP	NUMBER	TERM	TT	WDM REF	NUMBER	TERM	TT	EMC/SEP	FT	NOTES	EFFECTIVITY
224	0	UA	D04349J			27-32-21	GDX0004	S..	2	N2	4		VF181-VF190
224B	4	PW	D04349J	28		27-32-21	D01381	18		N2	2	PAJ-F2	SM001-SM010
224B	4	PW	D04349J	28		27-32-21	D01381	18		N2	3		VF181-VF190
224R	4	PW	D04349J	27		27-32-21	D01381	16		N2			
224Z			D04349J			27-32-21	D01381	DED		N2			
225B	2	PR	D00811	69		31-51-11	SM00060		W	N2	2	PAJ-F2	SM001-SM010
225B	2	PR	D00811	69		31-51-11	SM00060		W	N2	3		VF181-VF190
225R	2	PR	D00811	68		31-51-11	SM00060		W	N2		PAJ-F2	SM001-SM010
225R	2	PR	D00811	68		31-51-11	SM00060		W	N2		PAJ-F2	VF181-VF190
225Z			D00811	DED		31-51-11	SM00028	REF		N2			SM001-SM010
225Z			D00811	DED		31-51-11	SM00028	REF		N2			VF181-VF190
226B	2	PR	D00813	69		31-51-12	SM00061		W	N2	2	PAJ-F2	SM001-SM010
226B	2	PR	D00813	69		31-51-12	SM00061		W	N2	4		VF181-VF190
226R	2	PR	D00813	68		31-51-12	SM00061		W	N2		PAJ-F2	SM001-SM010
226R	2	PR	D00813	68		31-51-12	SM00061		W	N2		PAJ-F2	VF181-VF190
226Z			D00813	DED		31-51-12	SM00030	REF		N2			SM001-SM010
226Z			D00813	DED		31-51-12	SM00030	REF		N2			VF181-VF190
230	0	UA	D04347J			31-51-33	GDX0003	S..	2	N2	2		SM001-SM010
230	0	UA	D04347J			31-51-33	GDX0003	S..	2	N2	4		VF181-VF190
230B	4	PW	D04347J	18		31-51-33	SM00004		W	N2	1	PAJ-F2	SM001-SM010
230B	4	PW	D04347J	18		31-51-33	SM00004		W	N2	3		VF181-VF190
230R	4	PW	D04347J	17		31-51-33	SM00003		W	N2		PAJ-F2	SM001-SM010
230R	4	PW	D04347J	17		31-51-33	SM00003		W	N2		PAJ-F2	VF181-VF190
230Z			D04347J			31-51-33	SM00003	REF		N2			SM001-SM010
230Z			D04347J			31-51-33	SM00003	REF		N2			VF181-VF190
236	0	UA	D04347J			27-32-11	GDX0001	S..	2	N2	2		SM001-SM010
236	0	UA	D04347J			27-32-11	GDX0001	S..	2	N2	3		VF181-VF190
236B	4	PW	D04347J	37		27-32-11	D00823	54		N2	2		SM001-SM010
236B	4	PW	D04347J	37		27-32-11	D00823	54		N2	3		VF181-VF190
236R	4	PW	D04347J	36		27-32-11	D00823	23		N2	2		SM001-SM010
236Z			D04347J	DED		27-32-11	D00823	DED		N2	3		VF181-VF190
237B	4	PW	D04347J	40		27-32-11	D00823	13		N2	2		SM001-SM010
237B	4	PW	D04347J	40		27-32-11	D00823	13		N2	3		VF181-VF190

286T0045-601
Wire Bundle Assembly
Figure 129 (Sheet 17)

25-71-02



BOEING
COMPONENT
MAINTENANCE MANUAL

WIRE			FROM EQUIPMENT			TO EQUIPMENT			WIRE INFO				
NUMBER	GA	TYP	NUMBER	TERM	TT	WDM REF	NUMBER	TERM	TT	EMC/SEP	FT	NOTES	EFFECTIVITY
237R	4	PW	D04347J	39		27-32-11	D00823	12		N2			SM001-SM010
237Z			D04347J			27-32-11	D00823	DED		N2			VF181-VF190
238	0	UA	D04349J			27-32-21	GDX0001	S..	2	N2	2		SM001-SM010
238	0	UA	D04349J			27-32-21	GDX0001	S..	2	N2	3		VF181-VF190
238B	4	PW	D04349J	49		27-32-21	D01381	54		N2	2		SM001-SM010
238B	4	PW	D04349J	49		27-32-21	D01381	54		N2	3		VF181-VF190
238R	4	PW	D04349J	48		27-32-21	D01381	23		N2			
238Z			D04349J			27-32-21	D01381	DED		N2			
239B	4	PW	D01381	20		27-32-21	D04349J	55		N2	2		SM001-SM010
239B	4	PW	D01381	20		27-32-21	D04349J	55		N2	3		VF181-VF190
239R	4	PW	D01381	19		27-32-21	D04349J	54		N2			
239Z			D01381	DED		27-32-21	D04349J			N2			
240B	4	PL	D04347J	23		31-51-31	SM00080		W	N2	1		SM001-SM010
240B	4	PL	D04347J	23		31-51-31	SM00080		W	N2	3		VF181-VF190
240R	4	PL	D04347J	22		31-51-31	SM00042		W	N2			
241B	4	PL	D01487	60		31-51-31	SM00080		W	N2	1	PAJ-F2	SM001-SM010
241B	4	PL	D01487	60		31-51-31	SM00080		W	N2	3		VF181-VF190
241R	4	PL	D01487	28		31-51-31	SM00042		W	N2			
241R	4	PL	D01487	28		31-51-31	SM00042		W	N2			
242B	4	PL	D00817	60		31-51-32	SM00080		W	N2	1	PAJ-F2	SM001-SM010
242B	4	PL	D00817	60		31-51-32	SM00080		W	N2	3		VF181-VF190
242R	4	PL	D00817	28		31-51-32	SM00042		W	N2			
242R	4	PL	D00817	28		31-51-32	SM00042		W	N2			
243B	4	PW	D04349J	52		27-32-21	D01381	13		N2	2		SM001-SM010
243B	4	PW	D04349J	52		27-32-21	D01381	13		N2	3		VF181-VF190
243R	4	PW	D04349J	51		27-32-21	D01381	12		N2			
243Z			D04349J			27-32-21	D01381	DED		N2			
245B	4	PW	D00823	20		27-32-11	D04347J	48		N2	2		SM001-SM010
245B	4	PW	D00823	20		27-32-11	D04347J	48		N2	3		VF181-VF190
245R	4	PW	D00823	19		27-32-11	D04347J	47		N2			
245Z			D00823	DED		27-32-11	D04347J			N2			
247	0	UA	D04349J			31-41-35	GDX0006	S..	2	N2	2		SM001-SM010
247	0	UA	D04349J			31-41-35	GDX0006	S..	2	N2	4		VF181-VF190

286T0045-601
Wire Bundle Assembly
Figure 129 (Sheet 18)

25-71-02

WIRE			FROM EQUIPMENT			TO EQUIPMENT			WIRE INFO				
NUMBER	GA	TYP	NUMBER	TERM	TT	WDM REF	NUMBER	TERM	TT	EMC / SEP	FT	NOTES	EFFECTIVITY
247B	4	PW	D02261	42		31-41-35	D04349J	57		N2	2		SM001-SM010
247B	4	PW	D02261	42		31-41-35	D04349J	57		N2	4		VF181-VF190
247R	4	PW	D02261	43		31-41-35	D04349J	56		N2			
247Z			D02261	DED		31-41-35	D04349J			N2			
248	0	UA	D04349J			28-41-11	GDX0006	S..	2	N2	2		SM001-SM010
248	0	UA	D04349J			28-41-11	GDX0006	S..	2	N2	4		VF181-VF190
248B	4	PW	D02261	5		28-41-11	D04349J	60		N2	2		SM001-SM010
248B	4	PW	D02261	5		28-41-11	D04349J	60		N2	4		VF181-VF190
248R	4	PW	D02261	8		28-41-11	D04349J	59		N2	4		VF181-VF190
248Z			D02261	DED		28-41-11	D04349J			N2			
271B	4	PL	D04597J	5		31-51-31	SM00088		W	N2	4		VF181-VF190
271R	4	PL	D04597J	2		31-51-31	SM00087		W	N2			VF181-VF190
272B	4	PL	D01487	63		31-51-31	SM00088		W	N2	4		VF181-VF190
272R	4	PL	D01487	62		31-51-31	SM00087		W	N2			VF181-VF190
273B	4	PL	D00817	63		31-51-32	SM00088		W	N2	4		VF181-VF190
273R	4	PL	D00817	62		31-51-32	SM00087		W	N2			VF181-VF190
301	0	UA	SM00028	REF		31-51-11	GDX0005	S..	2	N2	1		SM001-SM010
301	0	UA	SM00028	REF		31-51-11	GDX0005	S..	2	N2	3		VF181-VF190
301B	2	PS	D00811	57		31-51-11	SM00028		W	N2	2	PAJ-F2	SM001-SM010
301B	2	PS	D00811	57		31-51-11	SM00028		W	N2	3		VF181-VF190
301R	2	PS	D00811	38		31-51-11	SM00028		W	N2		PAJ-F2	SM001-SM010
301R	2	PS	D00811	38		31-51-11	SM00028		W	N2			VF181-VF190
301Y	2	PS	D00811	58		31-51-11	SM00028		W	N2		PAJ-F2	SM001-SM010
301Y	2	PS	D00811	58		31-51-11	SM00028		W	N2			VF181-VF190
301Z			D00811	DED		31-51-11	SM00028		REF	N2			SM001-SM010
301Z			D00811	DED		31-51-11	SM00028		REF	N2			VF181-VF190
302B	2	PS	D00811	42		31-51-11	SM00029		W	N2	2	PAJ-F2	SM001-SM010
302B	2	PS	D00811	42		31-51-11	SM00029		W	N2	3		VF181-VF190
302R	2	PS	D00811	41		31-51-11	SM00029		W	N2			SM001-SM010
302Y	2	PS	D00811	43		31-51-11	SM00029		W	N2		PAJ-F2	SM001-SM010
302Y	2	PS	D00811	43		31-51-11	SM00029		W	N2			VF181-VF190
302Z			D00811	DED		31-51-11	SM00028		REF	N2			SM001-SM010
303B	2	PS	D00811	8		31-51-11	SM00026		W	N2	2	PAJ-F2	SM001-SM010

286T0045-601
Wire Bundle Assembly
Figure 129 (Sheet 19)

25-71-02



BOEING
COMPONENT
MAINTENANCE MANUAL

WIRE			FROM EQUIPMENT			TO EQUIPMENT			WIRE INFO				
NUMBER	GA	TYP	NUMBER	TERM	TT	WDM REF	NUMBER	TERM	TT	EMC/SEP	FT	NOTES	EFFECTIVITY
303B	2	PS	D00811	8		31-51-11	SM00026		W	N2	3	PAJ-F2	VF181-VF190
303R	2	PS	D00811	7		31-51-11	SM00026		W	N2		PAJ-F2	SM001-SM010
303R	2	PS	D00811	7		31-51-11	SM00026		W	N2		PAJ-F2	VF181-VF190
303Y	2	PS	D00811	9		31-51-11	SM00026		W	N2		PAJ-F2	SM001-SM010
303Y	2	PS	D00811	9		31-51-11	SM00026		W	N2		PAJ-F2	VF181-VF190
303Z			D00811	DED		31-51-11	SM00028	REF		N2			
304B	2	PS	D00811	25		31-51-11	SM00027		W	N2	2	PAJ-F2	SM001-SM010
304B	2	PS	D00811	25		31-51-11	SM00027		W	N2	3	PAJ-F2	VF181-VF190
304R	2	PS	D00811	24		31-51-11	SM00027		W	N2		PAJ-F2	SM001-SM010
304R	2	PS	D00811	24		31-51-11	SM00027		W	N2		PAJ-F2	VF181-VF190
304Y	2	PS	D00811	37		31-51-11	SM00027		W	N2		PAJ-F2	
304Z			D00811	DED		31-51-11	SM00028	REF		N2		PAJ-F2	SM001-SM010
304Z			D00811	DED		31-51-11	SM00028	REF		N2		PAJ-F2	VF181-VF190
305	0	UA	SM00030	REF		31-51-12	GDX0005	S..	2	N2	1	PAJ-F2	SM001-SM010
305	0	UA	SM00030	REF		31-51-12	GDX0005	S..	2	N2	2	PAJ-F2	VF181-VF190
305B	2	PS	D00813	8		31-51-12	SM00030		W	N2	2	PAJ-F2	SM001-SM010
305B	2	PS	D00813	8		31-51-12	SM00030		W	N2	4	PAJ-F2	VF181-VF190
305R	2	PS	D00813	7		31-51-12	SM00030		W	N2		PAJ-F2	SM001-SM010
305R	2	PS	D00813	7		31-51-12	SM00030		W	N2		PAJ-F2	VF181-VF190
305Y	2	PS	D00813	9		31-51-12	SM00030		W	N2		PAJ-F2	SM001-SM010
305Y	2	PS	D00813	9		31-51-12	SM00030		W	N2		PAJ-F2	VF181-VF190
305Z			D00813	DED		31-51-12	SM00030	REF		N2		PAJ-F2	SM001-SM010
305Z			D00813	DED		31-51-12	SM00030	REF		N2		PAJ-F2	VF181-VF190
306B	2	PS	D00813	25		31-51-12	SM00031		W	N2	2	PAJ-F2	SM001-SM010
306B	2	PS	D00813	25		31-51-12	SM00031		W	N2	4	PAJ-F2	VF181-VF190
306R	2	PS	D00813	24		31-51-12	SM00031		W	N2		PAJ-F2	SM001-SM010
306Y	2	PS	D00813	37		31-51-12	SM00031		W	N2		PAJ-F2	VF181-VF190
306Y	2	PS	D00813	37		31-51-12	SM00031		W	N2		PAJ-F2	SM001-SM010
306Z			D00813	DED		31-51-12	SM00030	REF		N2		PAJ-F2	VF181-VF190
306Z			D00813	DED		31-51-12	SM00030	REF		N2		PAJ-F2	SM001-SM010
307B	2	PS	D00813	57		31-51-12	SM00032		W	N2	2	PAJ-F2	VF181-VF190
307B	2	PS	D00813	57		31-51-12	SM00032		W	N2	4	PAJ-F2	SM001-SM010
307R	2	PS	D00813	38		31-51-12	SM00032		W	N2		PAJ-F2	VF181-VF190

286T0045-601
Wire Bundle Assembly
Figure 129 (Sheet 20)

25-71-02

WIRE			FROM EQUIPMENT			TO EQUIPMENT			WIRE INFO				
NUMBER	GA	TYP	NUMBER	TERM	TT	WDM REF	NUMBER	TERM	TT	EMC/SEP	FT	NOTES	EFFECTIVITY
307R	2	PS	D00813	38		31-51-12	SM00032		W	N2		PAJ-F2	VF181-VF190
307Y	2	PS	D00813	58		31-51-12	SM00032		W	N2		PAJ-F2	SM001-SM010
307Y	2	PS	D00813	58		31-51-12	SM00032		W	N2		PAJ-F2	VF181-VF190
307Z			D00813	DED		31-51-12	SM00030	REF		N2		PAJ-F2	SM001-SM010
307Z			D00813	DED		31-51-12	SM00030	REF		N2		PAJ-F2	VF181-VF190
308B	2	PS	D00813	42		31-51-12	SM00033		W	N2	2	PAJ-F2	SM001-SM010
308B	2	PS	D00813	42		31-51-12	SM00033		W	N2	4	PAJ-F2	VF181-VF190
308R	2	PS	D00813	41		31-51-12	SM00033		W	N2		PAJ-F2	SM001-SM010
308R	2	PS	D00813	41		31-51-12	SM00033		W	N2		PAJ-F2	VF181-VF190
308Y	2	PS	D00813	43		31-51-12	SM00033		W	N2		PAJ-F2	SM001-SM010
308Y	2	PS	D00813	43		31-51-12	SM00033		W	N2		PAJ-F2	VF181-VF190
308Z			D00813	DED		31-51-12	SM00030	REF		N2		PAJ-F2	SM001-SM010
308Z			D00813	DED		31-51-12	SM00030	REF		N2		PAJ-F2	VF181-VF190
512	4	PK	D02261	20		27-81-31	D04349J	8		N2	2		SM001-SM010
512	4	PK	D02261	20		27-81-31	D04349J	8		N2	3		VF181-VF190
601	0	PA	SM00060		W	31-51-11	GDX0004	D..	2	N2			SM001-SM010
602	0	PA	SM00061		W	31-51-12	GDX0005	D..	2	N2			VF181-VF190
603	4	PV	D04301J	5		31-51-12	M01103	INE	D	N2	1		SM001-SM010
603	4	PV	D04301J	5		31-51-12	M01103	INE	D	N2	3		VF181-VF190
603Z			D04301J	DED		31-51-12	M01103			N2			SM001-SM010
604	4	PV	D04301J	4		31-51-12	D00813	4		N2	3		VF181-VF190
604	4	PV	D04301J	4		31-51-12	D00813	4		N2	5		SM001-SM010
604Z			D04301J	DED		31-51-12	D00813			N2			VF181-VF190
605	4	PV	D00813	1		31-51-12	M01103	OAD	D	N2	3		SM001-SM010
605	4	PV	D00813	1		31-51-12	M01103	OAD	D	N2	4		VF181-VF190
605Z			D00813	DED		31-51-12	M01103	DED		N2			SM001-SM010
606	4	PV	D04349J	32		31-51-11	M01102	INE	D	N2	1		VF181-VF190
606	4	PV	D04349J	32		31-51-11	M01102	INE	D	N2	3		SM001-SM010
606Z			D04349J	DED		31-51-11	M01102			N2			VF181-VF190
607	4	PV	D04349J	33		31-51-11	D00811	4		N2	3		SM001-SM010
607	4	PV	D04349J	33		31-51-11	D00811	4		N2	5		VF181-VF190
607Z			D04349J	DED		31-51-11	D00811			N2			SM001-SM010
608	4	PV	D00811	1		31-51-11	M01102	OAD	D	N2	3		SM001-SM010

 286T0045-601
 Wire Bundle Assembly
 Figure 129 (Sheet 21)

25-71-02

 TESTING & TROUBLE SHOOTING
 01 Page 174B
 Nov 01/02



BOEING
COMPONENT
MAINTENANCE MANUAL

WIRE			FROM EQUIPMENT			TO EQUIPMENT			WIRE INFO				
NUMBER	GA	TYP	NUMBER	TERM	TT	WDM REF	NUMBER	TERM	TT	EMC/SEP	FT	NOTES	EFFECTIVITY
608	4	PV	D00811	1		31-51-11	M01102	OAD	D	N2	5		VF181-VF190
608Z			D00811			31-51-11	M01102	DED		N2			
610	4	PK	D00823	37		27-32-11	SM00050		W	N2	1	PAJ-F2	SM001-SM010
610	4	PK	D00823	37		27-32-11	SM00050		W	N2	3	PAJ-F2	VF181-VF190
611	4	PK	D01433	6		31-51-42	D04347J	20		N2	2		SM001-SM010
611	4	PK	D01433	6		31-51-42	D04347J	20		N2	3		VF181-VF190
612	4	PK	D01433	4		31-51-42	SM00050		W	N2	1	PAJ-F2	SM001-SM010
612	4	PK	D01433	4		31-51-42	SM00050		W	N2	3		VF181-VF190
613	4	PK	D04349J	30		31-51-31	SM00065		W	N2	1	PAJ-F2	SM001-SM010
613	4	PK	D04349J	30		31-51-31	SM00065		W	N2	3		VF181-VF190
614	4	PK	D01487	52		31-51-31	SM00065		W	N2	1	PAJ-F2	SM001-SM010
614	4	PK	D01487	52		31-51-31	SM00065		W	N2	3		VF181-VF190
615	4	PK	D00817	52		31-51-32	SM00065		W	N2	1	PAJ-F2	SM001-SM010
615	4	PK	D00817	52		31-51-32	SM00065		W	N2	3		VF181-VF190
617	4	PK	D01381	11		27-32-12	D00823	56		N2	1		SM001-SM010
617	4	PK	D01381	11		27-32-12	D00823	56		N2	2		VF181-VF190
618	4	PK	D01381	56		27-32-12	D00823	11		N2	1		SM001-SM010
618	4	PK	D01381	56		27-32-12	D00823	11		N2	2		VF181-VF190
619	4	PK	D00823	45		27-32-12	SM00082		W	N2	1	PAJ-F2	SM001-SM010
619	4	PK	D00823	45		27-32-12	SM00082		W	N2	2		VF181-VF190
620	4	PK	D04349J	29		31-51-21	SM00071		W	N2	1	PAJ-F2	SM001-SM010
620	4	PK	D04349J	29		31-51-21	SM00071		W	N2	3		VF181-VF190
621	4	PK	D00815	7		31-51-21	SM00071		W	N2	1	PAJ-F2	SM001-SM010
621	4	PK	D00815	7		31-51-21	SM00071		W	N2	3		VF181-VF190
622	4	PK	D01489	2		31-51-33	SM00071		W	N2	1	PAJ-F2	SM001-SM010
622	4	PK	D01489	2		31-51-33	SM00071		W	N2	3		VF181-VF190
623	4	PK	D01489	36		31-51-33	SM00038		W	N2	1	PAJ-F2	SM001-SM010
623	4	PK	D01489	36		31-51-33	SM00038		W	N2	3		VF181-VF190
624	4	PK	D00815	8		31-51-21	SM00045		W	N2	1	PAJ-F2	SM001-SM010
624	4	PK	D00815	8		31-51-21	SM00045		W	N2	3		VF181-VF190
625	4	PK	D01487	9		31-51-31	SM00034		W	N2	1	PAJ-F2	SM001-SM010
625	4	PK	D01487	9		31-51-31	SM00034		W	N2	3		VF181-VF190
628	2	PA	D01487	20		31-51-31	GDX0006	D..	2	N2	2		SM001-SM010

286T0045-601
Wire Bundle Assembly
Figure 129 (Sheet 22)

25-71-02

TESTING & TROUBLE SHOOTING
01 Page 174C

Nov 01/02

WIRE			FROM EQUIPMENT			TO EQUIPMENT			WIRE INFO				
NUMBER	GA	TYP	NUMBER	TERM	TT	WDM REF	NUMBER	TERM	TT	EMC/ SEP	FT	NOTES	EFFECTIVITY
628	2	PA	D01487	20		31-51-31	GDX0006	D..	2	N2	4		VF181-VF190
629	2	PA	D01487	53		31-51-31	GDX0006	D..	2	N2	2		SM001-SM010
629	2	PA	D01487	53		31-51-31	GDX0006	D..	2	N2	4		VF181-VF190
630	2	PA	D01487	21		31-51-31	GDX0006	D..	2	N2	2		SM001-SM010
630	2	PA	D01487	21		31-51-31	GDX0006	D..	2	N2	4		VF181-VF190
631	4	PK	D00817	9		31-51-32	SM00034		W	N2	1	PAJ-F2	SM001-SM010
631	4	PK	D00817	9		31-51-32	SM00034		W	N2	3		VF181-VF190
634	2	PA	D00817	20		31-51-32	GDX0006	D..	2	N2	2		SM001-SM010
634	2	PA	D00817	20		31-51-32	GDX0006	D..	2	N2	4		VF181-VF190
635	2	PA	D00817	53		31-51-32	GDX0006	D..	2	N2	2		SM001-SM010
635	2	PA	D00817	53		31-51-32	GDX0006	D..	2	N2	4		VF181-VF190
636	2	PA	D00817	21		31-51-32	GDX0006	D..	2	N2	2		SM001-SM010
636	2	PA	D00817	21		31-51-32	GDX0006	D..	2	N2	4		VF181-VF190
644	2	PQ	D00823	66		27-32-31	D04347J	42		N2	2		SM001-SM010
644	2	PQ	D00823	66		27-32-31	D04347J	42		N2	3		VF181-VF190
644Z			D00823	DED		27-32-31	D04347J	DED		N2	2		SM001-SM010
646	2	PQ	D01381	66		27-32-31	D04349J	42		N2	2		VF181-VF190
646	2	PQ	D01381	66		27-32-31	D04349J	42		N2	3		SM001-SM010
646Z			D01381	DED		27-32-31	D04349J	DED		N2	2		VF181-VF190
681	4	PK	D01433	10		31-51-43	D04507J	10		N2	2		SM001-SM010
681	4	PK	D01433	10		31-51-43	D04507J	10		N2	3		VF181-VF190
682	4	PK	D01433	13		31-51-43	D04347J	46		N2	2		SM001-SM010
682	4	PK	D01433	13		31-51-43	D04347J	46		N2	3		VF181-VF190
683	2	PA	D01433	41		31-51-43	SM00081		W	N2	1	PAJ-F2	SM001-SM010
683	2	PA	D01433	41		31-51-43	SM00081		W	N2	2		VF181-VF190
684	0	PA	GDX0001	D..	2	31-51-43	D04349J	47		N2	2		SM001-SM010
684	0	PA	GDX0001	D..	2	31-51-43	D04349J	47		N2	3		VF181-VF190
685	4	PK	D00823	58		27-32-12	D01505	A1		N2	2		SM001-SM010
685	4	PK	D00823	58		27-32-12	D01505	A1		N2	3		VF181-VF190
686	4	PK	D00823	8		27-32-11	SM00038		W	N2	1	PAJ-F2	SM001-SM010
686	4	PK	D00823	8		27-32-11	SM00038		W	N2	2		VF181-VF190
687	4	PK	D00823	64		27-32-11	SM00081		W	N2	1	PAJ-F2	SM001-SM010
687	4	PK	D00823	64		27-32-11	SM00081		W	N2	2		VF181-VF190

286T0045-601
Wire Bundle Assembly
Figure 129 (Sheet 23)

25-71-02



BOEING
COMPONENT
MAINTENANCE MANUAL

WIRE			FROM EQUIPMENT			TO EQUIPMENT			WIRE INFO				
NUMBER	GA	TYP	NUMBER	TERM	TT	WDM REF	NUMBER	TERM	TT	EMC/SEP	FT	NOTES	EFFECTIVITY
688	4	PK	D01381	58		27-32-22	D01503	A1		N2	2		SM001-SM010
688	4	PK	D01381	58		27-32-22	D01503	A1		N2	3		VF181-VF190
689	4	PK	D01381	45		27-32-22	SM00095		W	N2	1	PAJ-F2	SM001-SM010
689	4	PK	D01381	45		27-32-22	SM00095		W	N2	2		VF181-VF190
692	4	PK	D01381	8		27-32-21	SM00038		W	N2	1	PAJ-F2	SM001-SM010
692	4	PK	D01381	8		27-32-21	SM00038		W	N2	2		VF181-VF190
693	4	PK	D04347J	30		31-51-21	D00815	6		N2	2		SM001-SM010
693	4	PK	D04347J	30		31-51-21	D00815	6		N2	4		VF181-VF190
694	2	PA	D04349J	46		31-51-43	SM00081		W	N2	1	PAJ-F2	SM001-SM010
694	2	PA	D04349J	46		31-51-43	SM00081		W	N2	3		VF181-VF190
696	0	PA	GDX0003	D..	2	27-32-12	SM00082		W	N2	1		SM001-SM010
696	0	PA	GDX0003	D..	2	27-32-12	SM00082		W	N2	2		VF181-VF190
697	0	PA	GDX0003	D..	2	27-32-22	SM00085		W	N2	1		SM001-SM010
697	0	PA	GDX0003	D..	2	27-32-22	SM00085		W	N2	2		VF181-VF190
701	4	PK	D00815	49		31-51-21	D00815	22		N2			SM001-SM010
701	4	PK	D00815	49		31-51-21	D00815	22		N2	1		VF181-VF190
702	4	PK	D00815	16		31-51-21	D00815	48		N2			SM001-SM010
702	4	PK	D00815	16		31-51-21	D00815	48		N2	1		VF181-VF190
703	4	PK	D00819	6		31-51-41	SM00019		W	N2	1	PAJ-F2	SM001-SM010
703	4	PK	D00819	6		31-51-41	SM00019		W	N2	3		VF181-VF190
704	4	PK	SM00075			31-51-41	D04511J	14		N2	1	PAJ-F2	SM001-SM010
704	4	PK	SM00075		W	31-51-41	D04511J	14		N2	4		VF181-VF190
705	4	PK	D00819	45		31-51-41	D04511J	12		N2	2		SM001-SM010
705	4	PK	D00819	45		31-51-41	D04511J	12		N2	4		VF181-VF190
706	4	PK	D00819	10		31-51-41	D04349J	31		N2	2		SM001-SM010
706	4	PK	D00819	10		31-51-41	D04349J	31		N2	4		VF181-VF190
707	4	PK	D00819	21		31-51-41	D04509J	4		N2	2		SM001-SM010
707	4	PK	D00819	21		31-51-41	D04509J	4		N2	4		VF181-VF190
708	4	PK	D00819	9		31-51-41	D04349J	7		N2	2		SM001-SM010
708	4	PK	D00819	9		31-51-41	D04349J	7		N2	4		VF181-VF190
709	4	PK	D00819	39		31-51-41	SM00044		W	N2	1	PAJ-F2	SM001-SM010
709	4	PK	D00819	39		31-51-41	SM00044		W	N2	3		VF181-VF190
710	4	PK	D00819	43		31-51-41	SM00037		W	N2	1	PAJ-F2	SM001-SM010

286T0045-601
Wire Bundle Assembly
Figure 129 (Sheet 24)

25-71-02

WIRE			FROM EQUIPMENT			TO EQUIPMENT			WIRE INFO				
NUMBER	GA	TYP	NUMBER	TERM	TT	WDM REF	NUMBER	TERM	TT	EMC/SEP	FT	NOTES	EFFECTIVITY
710	4	PK	D00819	43		31-51-41	SM00037		W	N2	3		VF181-VF190
711	4	PK	D00819	12		31-51-41	D04349J	21		N2	2		SM001-SM010
711	4	PK	D00819	12		31-51-41	D04349J	21		N2	4		VF181-VF190
712	4	PK	D00819	53		31-51-41	D04349J	3		N2	2		SM001-SM010
712	4	PK	D00819	53		31-51-41	D04349J	3		N2	4		VF181-VF190
713	4	PK	D00819	20		31-51-41	D04347J	9		N2	2		SM001-SM010
713	4	PK	D00819	20		31-51-41	D04347J	9		N2	4		VF181-VF190
714	4	PK	D00819	44		31-51-41	D04349J	24		N2	2		SM001-SM010
714	4	PK	D00819	44		31-51-41	D04349J	24		N2	4		VF181-VF190
715	4	PK	D04507J	6		31-51-42	SM00019		W	N2	1	PAJ-F2	SM001-SM010
715	4	PK	D04507J	6		31-51-42	SM00019		W	N2	3		VF181-VF190
716	4	PK	D01433	34		31-51-42	SM00019		W	N2	1	PAJ-F2	SM001-SM010
716	4	PK	D01433	34		31-51-42	SM00019		W	N2	2		VF181-VF190
717	4	PK	D01433	37		31-51-42	SM00034		W	N2	1	PAJ-F2	SM001-SM010
717	4	PK	D01433	37		31-51-42	SM00034		W	N2	2		VF181-VF190
718	4	PK	D01433	39		31-51-42	D04509J	2		N2	2		SM001-SM010
718	4	PK	D01433	39		31-51-42	D04509J	2		N2	3		VF181-VF190
720	4	PK	D01433	52		31-51-42	SM00040		W	N2	1	PAJ-F2	SM001-SM010
720	4	PK	D01433	52		31-51-42	SM00040		W	N2	2		VF181-VF190
721	4	PK	D01433	38		31-51-42	D04347J	24		N2	2		SM001-SM010
721	4	PK	D01433	38		31-51-42	D04347J	24		N2	4		VF181-VF190
722	4	PK	D01433	5		31-51-42	D04349J	22		N2	2		SM001-SM010
722	4	PK	D01433	5		31-51-42	D04349J	22		N2	4		VF181-VF190
723	4	PK	D04511J	11		31-51-42	SM00038		W	N2	1	PAJ-F2	SM001-SM010
723	4	PK	D04511J	11		31-51-42	SM00038		W	N2	3		VF181-VF190
724	4	PK	D01433	40		31-51-42	SM00038		W	N2	1	PAJ-F2	SM001-SM010
724	4	PK	D01433	40		31-51-42	SM00038		W	N2	2		VF181-VF190
725	4	PK	D01433	3		31-51-42	D04347J	13		N2	2		SM001-SM010
725	4	PK	D01433	3		31-51-42	D04347J	13		N2	4		VF181-VF190
726	2	PA	D04347J	14		31-51-21	SM00036		W	N2	1	PAJ-F2	SM001-SM010
726	2	PA	D04347J	14		31-51-21	SM00036		W	N2	3		VF181-VF190
727	2	PA	D04301J	11		31-51-21	SM00035		W	N2	1	PAJ-F2	SM001-SM010
727	2	PA	D04301J	11		31-51-21	SM00035		W	N2	3		VF181-VF190

286T0045-601
Wire Bundle Assembly
Figure 129 (Sheet 25)

25-71-02



BOEING
COMPONENT
MAINTENANCE MANUAL

WIRE			FROM EQUIPMENT			TO EQUIPMENT			WIRE INFO				
NUMBER	GA	TYP	NUMBER	TERM	TT	WDM REF	NUMBER	TERM	TT	EMC/SEP	FT	NOTES	EFFECTIVITY
728	4	PK	D04347J	1		31-51-41	D00819	35		N2	2		SM001-SM010
728	4	PK	D04347J	1		31-51-41	D00819	35		N2	4		VF181-VF190
729	4	PK	D04347J	2		31-51-41	D00819	1		N2	2		SM001-SM010
729	4	PK	D04347J	2		31-51-41	D00819	1		N2	4		VF181-VF190
730	4	PK	D04347J	3		31-51-41	D00819	36		N2	2		SM001-SM010
730	4	PK	D04347J	3		31-51-41	D00819	36		N2	4		VF181-VF190
731	4	PK	D04347J	4		31-51-41	D00819	2		N2	2		SM001-SM010
731	4	PK	D04347J	4		31-51-41	D00819	2		N2	4		VF181-VF190
732	4	PK	D04347J	5		31-51-42	D01433	20		N2	2		SM001-SM010
732	4	PK	D04347J	5		31-51-42	D01433	20		N2	4		VF181-VF190
733	4	PK	D04347J	16		34-16-11	D00821	65		N2	2		SM001-SM010
733	4	PK	D04347J	16		34-16-11	D00821	65		N2	5		VF181-VF190
734	4	PK	D04347J	8		31-51-31	SM00046		W	N2	1	PAJ-F2	SM001-SM010
734	4	PK	D04347J	8		31-51-31	SM00046		W	N2	3		VF181-VF190
735	4	PK	D04507J	7		34-16-11	D00821	34		N2	2		SM001-SM010
735	4	PK	D04507J	7		34-16-11	D00821	34		N2	5		VF181-VF190
736	4	PK	D04507J	2		34-16-11	D00821	66		N2	2		SM001-SM010
736	4	PK	D04507J	2		34-16-11	D00821	66		N2	4		VF181-VF190
737	4	PK	SM00041		W	34-16-11	D00821	31		N2	1	PAJ-T2	SM001-SM010
737	4	PK	SM00041		W	34-16-11	D00821	31		N2	3		VF181-VF190
738	4	PK	D04347J	19		34-16-11	D00821	7		N2	2		SM001-SM010
738	4	PK	D04347J	19		34-16-11	D00821	7		N2	5		VF181-VF190
739	4	PK	SM00075		W	34-16-11	D00821	6		N2	1	PAJ-T2	SM001-SM010
739	4	PK	SM00075		W	34-16-11	D00821	6		N2	4		VF181-VF190
740	4	PK	SM00038		W	34-16-11	D00821	40		N2	1	PAJ-T2	SM001-SM010
740	4	PK	SM00038		W	34-16-11	D00821	40		N2	3		VF181-VF190
741	4	PK	D00821	18		34-16-11	D00821	22		N2	2		SM001-SM010
741	4	PK	D00821	18		34-16-11	D00821	22		N2	1		VF181-VF190
742	4	PK	D00821	50		34-16-11	D00821	48		N2	2		SM001-SM010
742	4	PK	D00821	50		34-16-11	D00821	48		N2	1		VF181-VF190
743	4	PK	D04349J	17		31-51-33	D01489	20		N2	2		SM001-SM010
743	4	PK	D04349J	17		31-51-33	D01489	20		N2	4		VF181-VF190
746	4	PK	D04597J	10		31-51-31	SM00043		W	N2	1	PAJ-F2	SM001-SM010

286T0045-601
Wire Bundle Assembly
Figure 129 (Sheet 26)

25-71-02

WIRE			FROM EQUIPMENT			TO EQUIPMENT			WIRE INFO				
NUMBER	GA	TYP	NUMBER	TERM	TT	WDM REF	NUMBER	TERM	TT	EMC/SEP	FT	NOTES	EFFECTIVITY
746	4	PK	D04597J	10		31-51-31	SM00043		W	N2	3		VF181-VF190
747	4	PK	D01487	46		31-51-31	SM00043		W	N2	1	PAJ-F2	SM001-SM010
747	4	PK	D01487	46		31-51-31	SM00043		W	N2	3		VF181-VF190
748	4	PK	D04347J	7		31-51-31	SM00045		W	N2	1	PAJ-F2	SM001-SM010
748	4	PK	D04347J	7		31-51-31	SM00045		W	N2	3		VF181-VF190
749	4	PK	D01487	10		31-51-31	SM00045		W	N2	1	PAJ-F2	SM001-SM010
749	4	PK	D01487	10		31-51-31	SM00045		W	N2	3		VF181-VF190
750	4	PK	D01487	19		31-51-31	SM00046		W	N2	1	PAJ-F2	SM001-SM010
750	4	PK	D01487	19		31-51-31	SM00046		W	N2	3		VF181-VF190
751	4	PK	D01487	13		31-51-31	SM00040		W	N2	1	PAJ-F2	SM001-SM010
751	4	PK	D01487	13		31-51-31	SM00040		W	N2	3		VF181-VF190
752	4	PK	D01487	47		31-51-31	SM00044		W	N2	1	PAJ-F2	SM001-SM010
752	4	PK	D01487	47		31-51-31	SM00044		W	N2	3		VF181-VF190
753	4	PK	D01487	51		31-51-31	SM00041		W	N2	1	PAJ-F2	SM001-SM010
753	4	PK	D01487	51		31-51-31	SM00041		W	N2	3		VF181-VF190
755	4	PV	D01487	1		31-51-31	SM00035		W	N2	1	PAJ-F2	SM001-SM010
755	4	PV	D01487	1		31-51-31	SM00035		W	N2	3		VF181-VF190
755Z			D01487	DED		31-51-31	SM00035	DED		N2		PAJ-F2	SM001-SM010
755Z			D01487	DED		31-51-31	SM00035	DED		N2		PAJ-F2	VF181-VF190
756	4	PK	D01487	50		31-51-31	SM00036		W	N2	1	PAJ-F2	SM001-SM010
756	4	PK	D01487	50		31-51-31	SM00036		W	N2	3		VF181-VF190
757	4	PK	D01487	49		31-51-31	SM00039		W	N2	1	PAJ-F2	SM001-SM010
757	4	PK	D01487	49		31-51-31	SM00039		W	N2	3		VF181-VF190
758	4	PK	D01487	22		31-51-31	D01489	23	W	N2	2		SM001-SM010
758	4	PK	D01487	22		31-51-31	D01489	23	W	N2	4		VF181-VF190
759	4	PK	D01487	55		31-51-31	D01489	47	W	N2	2		SM001-SM010
759	4	PK	D01487	55		31-51-31	D01489	47	W	N2	4		VF181-VF190
760	4	PK	D01487	34		31-51-31	D01489	51	W	N2	2		SM001-SM010
760	4	PK	D01487	34		31-51-31	D01489	51	W	N2	4		VF181-VF190
761	4	PK	D01487	66		31-51-31	D01489	57	W	N2	2		SM001-SM010
761	4	PK	D01487	66		31-51-31	D01489	57	W	N2	4		VF181-VF190
762	4	PK	D00817	10		31-51-32	SM00045		W	N2	1	PAJ-F2	SM001-SM010
762	4	PK	D00817	10		31-51-32	SM00045		W	N2	3		VF181-VF190

 286T0045-601
 Wire Bundle Assembly
 Figure 129 (Sheet 27)

25-71-02

 TESTING & TROUBLE SHOOTING
 01 Page 174H
 Nov 01/02



BOEING
COMPONENT
MAINTENANCE MANUAL

WIRE			FROM EQUIPMENT			TO EQUIPMENT			WIRE INFO				
NUMBER	GA	TYP	NUMBER	TERM	TT	WDM REF	NUMBER	TERM	TT	EMC/SEP	FT	NOTES	EFFECTIVITY
763	4	PK	D00817	46		31-51-32	SM00043		W	N2	1	PAJ-F2	SM001-SM010
763	4	PK	D00817	46		31-51-32	SM00043		W	N2	3		VF181-VF190
764	4	PV	D00817	1		31-51-32	SM00035		W	N2	1	PAJ-F2	SM001-SM010
764	4	PV	D00817	1		31-51-32	SM00035		W	N2	3		VF181-VF190
764Z			D00817	DED		31-51-32	SM00035	DED		N2		PAJ-F2	SM001-SM010
764Z			D00817	DED		31-51-32	SM00035	DED		N2		PAJ-F2	VF181-VF190
765	4	PK	D00817	50		31-51-32	SM00036		W	N2	1	PAJ-F2	SM001-SM010
765	4	PK	D00817	50		31-51-32	SM00036		W	N2	3		VF181-VF190
766	4	PV	D00817	49		31-51-32	SM00053		W	N2	1	PAJ-F2	SM001-SM010
766	4	PV	D00817	49		31-51-32	SM00053		W	N2	3		VF181-VF190
766Z			D00817	DED		31-51-32	SM00053	DED		N2		PAJ-F2	SM001-SM010
766Z			D00817	DED		31-51-32	SM00053	DED		N2		PAJ-F2	VF181-VF190
767	4	PK	D00817	19		31-51-32	SM00046		W	N2	1	PAJ-F2	SM001-SM010
767	4	PK	D00817	19		31-51-32	SM00046		W	N2	3		VF181-VF190
768	4	PK	D00817	13		31-51-32	SM00040		W	N2	1	PAJ-F2	SM001-SM010
768	4	PK	D00817	13		31-51-32	SM00040		W	N2	3		VF181-VF190
769	4	PK	D00817	47		31-51-32	SM00044		W	N2	1	PAJ-F2	SM001-SM010
769	4	PK	D00817	47		31-51-32	SM00044		W	N2	3		VF181-VF190
770	4	PK	D00817	51		31-51-32	SM00041		W	N2	1	PAJ-F2	SM001-SM010
770	4	PK	D00817	51		31-51-32	SM00041		W	N2	3		VF181-VF190
772	4	PK	D00817	22		31-51-32	D01489	54		N2	2		SM001-SM010
772	4	PK	D00817	22		31-51-32	D01489	54		N2	3		VF181-VF190
773	4	PK	D00817	55		31-51-32	D01489	13		N2	2		SM001-SM010
773	4	PK	D00817	55		31-51-32	D01489	13		N2	3		VF181-VF190
774	4	PK	D00817	34		31-51-32	D01489	25		N2	2		SM001-SM010
774	4	PK	D00817	34		31-51-32	D01489	25		N2	3		VF181-VF190
775	4	PK	D00817	66		31-51-32	D01489	58		N2	2		SM001-SM010
775	4	PK	D00817	66		31-51-32	D01489	58		N2	3		VF181-VF190
776	4	PK	D01489	42		31-51-33	D04347J	15		N2	2		SM001-SM010
776	4	PK	D01489	42		31-51-33	D04347J	15		N2	4		VF181-VF190
777	4	PK	D01489	8		31-51-33	D04349J	13		N2	2		SM001-SM010
777	4	PK	D01489	8		31-51-33	D04349J	13		N2	4		VF181-VF190
779	4	PK	D01489	35		31-51-33	D04349J	40		N2	2		SM001-SM010

286T0045-601
Wire Bundle Assembly
Figure 129 (Sheet 28)

25-71-02

TESTING & TROUBLE SHOOTING
01

Page 174I
Nov 01/02

WIRE			FROM EQUIPMENT			TO EQUIPMENT			WIRE INFO			
NUMBER	GA	TYP	NUMBER	TERM TT	WDM REF	NUMBER	TERM TT	EMC/SEP	FT	NOTES	EFFECTIVITY	
779	4	PK	D01489	35	31-51-33	D04349J	40	N2	4		VF181-VF190	
780	4	PK	D01489	53	31-51-33	D04349J	2	N2	2		SM001-SM010	
780	4	PK	D01489	53	31-51-33	D04349J	2	N2	4		VF181-VF190	
781	4	PK	D01489	31	31-51-33	D01489	48	N2			SM001-SM010	
781	4	PK	D01489	31	31-51-33	D01489	48	N2	1		VF181-VF190	
782	4	PK	D01489	18	31-51-33	D01489	22	N2			SM001-SM010	
782	4	PK	D01489	18	31-51-33	D01489	22	N2	1		VF181-VF190	
783	4	PK	D01489	38	31-51-33	SM00008		N2	1	PAJ-F2	SM001-SM010	
783	4	PK	D01489	38	31-51-33	SM00008		N2	4		VF181-VF190	
784	4	PK	D01489	4	31-51-33	SM00011		N2		PAJ-F2	SM001-SM010	
784	4	PK	D01489	4	31-51-33	SM00011		N2	4		VF181-VF190	
785	4	PK	D01489	37	31-51-33	SM00012		N2	1	PAJ-F2	SM001-SM010	
785	4	PK	D01489	37	31-51-33	SM00012		N2	4		VF181-VF190	
786	4	PK	D01489	3	31-51-33	SM00010		N2	1	PAJ-F2	SM001-SM010	
786	4	PK	D01489	3	31-51-33	SM00010		N2	4		VF181-VF190	
787	4	PK	D01489	1	31-51-33	SM00009		N2	1	PAJ-F2	SM001-SM010	
787	4	PK	D01489	1	31-51-33	SM00009		N2	4		VF181-VF190	
788	4	PK	D01489	6	31-51-33	SM00034		N2	1	PAJ-F2	SM001-SM010	
788	4	PK	D01489	6	31-51-33	SM00034		N2	4		VF181-VF190	
789	4	PK	D01489	41	31-51-33	D04509J	11	N2	2		SM001-SM010	
789	4	PK	D01489	41	31-51-33	D04509J	11	N2	4		VF181-VF190	
790	4	PK	D01489	21	31-51-33	D04509J	3	N2	2		SM001-SM010	
790	4	PK	D01489	21	31-51-33	D04509J	3	N2	4		VF181-VF190	
791	4	PK	D01489	7	31-51-33	D04509J	10	N2	2		SM001-SM010	
791	4	PK	D01489	7	31-51-33	D04509J	10	N2	4		VF181-VF190	
792	4	PK	D01489	40	31-51-33	D04509J	9	N2	2		SM001-SM010	
792	4	PK	D01489	40	31-51-33	D04509J	9	N2	4		VF181-VF190	
793	4	PK	D00819	11	31-51-41	SM00075		N2	1	PAJ-F2	SM001-SM010	
793	4	PK	D00819	11	31-51-41	SM00075		N2	2		VF181-VF190	
794	0	PA	D04303J	10	31-51-32	GDX0004	S..	N2	2		SM001-SM010	
794	0	PA	D04303J	10	31-51-32	GDX0004	S..	N2	4		VF181-VF190	
795	4	PK	D01433	9	31-51-42	D01433	48	N2			SM001-SM010	
795	4	PK	D01433	9	31-51-42	D01433	48	N2	1		VF181-VF190	

286T0045-601
Wire Bundle Assembly
Figure 129 (Sheet 29)

25-71-02



BOEING
COMPONENT
MAINTENANCE MANUAL

WIRE			FROM EQUIPMENT			TO EQUIPMENT			WIRE INFO				
NUMBER	GA	TYP	NUMBER	TERM	TT	WDM REF	NUMBER	TERM	TT	EMC/SEP	FT	NOTES	EFFECTIVITY
796	4	PK	D01433	22		31-51-42	D01433	50		N2			SM001-SM010
796	4	PK	D01433	22		31-51-42	D01433	50		N2	1		VF181-VF190
797	4	PV	D00815	41		31-51-21	SM00053		W	N2	1	PAJ-F2	SM001-SM010
797	4	PV	D00815	41		31-51-21	SM00053		W	N2	3		VF181-VF190
797Z			D00815	DED		31-51-21	SM00053	DED		N2		PAJ-F2	SM001-SM010
797Z			D00815	DED		31-51-21	SM00053	DED		N2		PAJ-F2	VF181-VF190
798	4	PV	D04349J	9		31-51-21	SM00053		W	N2	1		SM001-SM010
798	4	PV	D04349J	9		31-51-21	SM00053		W	N2	3		VF181-VF190
798Z			D04349J	DED		31-51-21	SM00053	DED		N2		PAJ-F2	SM001-SM010
798Z			D04349J	DED		31-51-21	SM00053	DED		N2		PAJ-F2	VF181-VF190
817	4	PK	D00823	55		27-32-12	D11553	6		N2	2		SM001-SM010
817	4	PK	D00823	55		27-32-12	D11553	6		N2	3		VF181-VF190
818	4	PK	D00823	21		27-32-12	D11553	4		N2	2		SM001-SM010
818	4	PK	D00823	21		27-32-12	D11553	4		N2	3		VF181-VF190
819	4	PK	D00823	51		27-32-12	D11553	3		N2	2		SM001-SM010
819	4	PK	D00823	51		27-32-12	D11553	3		N2	3		VF181-VF190
820	4	PK	D00823	50		27-32-12	D11553	2		N2	2		SM001-SM010
820	4	PK	D00823	50		27-32-12	D11553	2		N2	3		VF181-VF190
821	4	PK	D00823	49		27-32-12	D11553	7		N2	2		SM001-SM010
821	4	PK	D00823	49		27-32-12	D11553	7		N2	3		VF181-VF190
822	4	PK	D00823	47		27-32-12	D11553	8		N2	2		SM001-SM010
822	4	PK	D00823	47		27-32-12	D11553	8		N2	3		VF181-VF190
823	4	PK	D00823	46		27-32-12	D11553	9		N2	2		SM001-SM010
823	4	PK	D00823	46		27-32-12	D11553	9		N2	3		VF181-VF190
824	4	PK	D00823	53		27-32-12	D11553	5		N2	2		SM001-SM010
824	4	PK	D00823	53		27-32-12	D11553	5		N2	3		VF181-VF190
825	4	PK	D00823	62		27-32-12	D11553	24		N2	2		SM001-SM010
825	4	PK	D00823	62		27-32-12	D11553	24		N2	3		VF181-VF190
826	4	PK	D01381	55		27-32-22	D11553	16		N2	2		SM001-SM010
826	4	PK	D01381	55		27-32-22	D11553	16		N2	3		VF181-VF190
827	4	PK	D01381	21		27-32-22	D11553	14		N2	2		SM001-SM010
827	4	PK	D01381	21		27-32-22	D11553	14		N2	3		VF181-VF190
828	4	PK	D01381	51		27-32-22	D11553	13		N2	2		SM001-SM010

286T0045-601
Wire Bundle Assembly
Figure 129 (Sheet 30)

25-71-02

TESTING & TROUBLE SHOOTING
01 Page 174K
Nov 01/02

WIRE			FROM EQUIPMENT			TO EQUIPMENT			WIRE INFO			
NUMBER	GA	TYP	NUMBER	TERM TT	WDM REF	NUMBER	TERM TT	EMC / SEP	FT	NOTES	EFFECTIVITY	
828	4	PK	D01381	51	27-32-22	D11553	13	N2	3		VF181-VF190	
829	4	PK	D01381	50	27-32-22	D11553	12	N2	2		SM001-SM010	
829	4	PK	D01381	50	27-32-22	D11553	12	N2	3		VF181-VF190	
830	4	PK	D01381	49	27-32-22	D11553	17	N2	2		SM001-SM010	
830	4	PK	D01381	49	27-32-22	D11553	17	N2	3		VF181-VF190	
831	4	PK	D01381	47	27-32-22	D11553	18	N2	2		SM001-SM010	
831	4	PK	D01381	47	27-32-22	D11553	18	N2	3		VF181-VF190	
832	4	PK	D01381	46	27-32-22	D11553	19	N2	2		SM001-SM010	
832	4	PK	D01381	46	27-32-22	D11553	19	N2	3		VF181-VF190	
833	4	PK	D01381	53	27-32-22	D11553	15	N2	2		SM001-SM010	
833	4	PK	D01381	53	27-32-22	D11553	15	N2	3		VF181-VF190	
834	4	PK	D01381	62	27-32-22	D11553	34	N2	2		SM001-SM010	
834	4	PK	D01381	62	27-32-22	D11553	34	N2	3		VF181-VF190	
835	4	PK	D04349J	50	27-32-21	D01381	64	N2	2		SM001-SM010	
835	4	PK	D04349J	50	27-32-21	D01381	64	N2	3		VF181-VF190	
836	0	PA	D04349J	53	27-32-21	GDX0002	S..	N2	2		SM001-SM010	
836	0	PA	D04349J	53	27-32-21	GDX0002	S..	N2	3		VF181-VF190	
839	4	PK	D00823	9	27-32-12	SM00082		N2	1	PAJ-F2	SM001-SM010	
839	4	PK	D00823	9	27-32-12	SM00082		N2	2		VF181-VF190	
840	4	PK	D01381	9	27-32-22	SM00085		N2	1	PAJ-F2	SM001-SM010	
840	4	PK	D01381	9	27-32-22	SM00085		N2	2		VF181-VF190	
842	4	PK	D01381	6	27-32-22	SM00085		N2	1	PAJ-F2	SM001-SM010	
842	4	PK	D01381	6	27-32-22	SM00085		N2	2		VF181-VF190	
843	4	PK	D00823	6	27-32-12	SM00082		N2	1	PAJ-F2	SM001-SM010	
843	4	PK	D00823	6	27-32-12	SM00082		N2	2		VF181-VF190	
862	2	PA	D02261	30	31-41-35	GDX0006	S..	N2	1		SM001-SM010	
862	2	PA	D02261	30	31-41-35	GDX0006	S..	N2	3		VF181-VF190	
863	2	PA	D02261	32	31-41-35	GDX0006	S..	N2	1		SM001-SM010	
863	2	PA	D02261	32	31-41-35	GDX0006	S..	N2	3		VF181-VF190	
864	2	PA	D02261	33	31-41-35	GDX0006	S..	N2	1		SM001-SM010	
864	2	PA	D02261	33	31-41-35	GDX0006	S..	N2	3		VF181-VF190	
865	2	PA	D02261	64	31-41-35	GDX0006	S..	N2	1		SM001-SM010	
865	2	PA	D02261	64	31-41-35	GDX0006	S..	N2	3		VF181-VF190	

286T0045-601
Wire Bundle Assembly
Figure 129 (Sheet 31)

25-71-02



BOEING
COMPONENT
MAINTENANCE MANUAL

WIRE			FROM EQUIPMENT			TO EQUIPMENT			WIRE INFO				
NUMBER	GA	TYP	NUMBER	TERM	TT	WDM REF	NUMBER	TERM	TT	EMC/SEP	FT	NOTES	EFFECTIVITY
866	4	PV	D02261	27		31-51-11	SM00018		W	N2	1	PAJ-F2	SM001-SM010
866	4	PV	D02261	27		31-51-11	SM00018		W	N2	2		VF181-VF190
866Z			D02261	DED		31-51-11	SM00018	REF		N2		PAJ-F2	SM001-SM010
866Z			D02261	DED		31-51-11	SM00018	REF		N2		PAJ-F2	VF181-VF190
867	4	PV	D02261	28		31-51-11	SM00047		W	N2	1	PAJ-F2	SM001-SM010
867	4	PV	D02261	28		31-51-11	SM00047		W	N2	2		VF181-VF190
867Z			D02261	DED		31-51-11	SM00047	REF		N2		PAJ-F2	SM001-SM010
867Z			D02261	DED		31-51-11	SM00047	REF		N2		PAJ-F2	VF181-VF190
868	4	PV	D02261	29		31-51-12	SM00054		W	N2	1	PAJ-F2	SM001-SM010
868	4	PV	D02261	29		31-51-12	SM00054		W	N2	2		VF181-VF190
868Z			D02261	DED		31-51-12	SM00054	REF		N2		PAJ-F2	SM001-SM010
868Z			D02261	DED		31-51-12	SM00054	REF		N2		PAJ-F2	VF181-VF190
869	4	PK	D02261	34		31-51-12	SM00025		W	N2	1	PAJ-F2	SM001-SM010
869	4	PK	D02261	34		31-51-12	SM00025		W	N2	2		VF181-VF190
870	2	PA	D02261	56		31-51-12	GDX0001	S..	2	N2	2		SM001-SM010
870	2	PA	D02261	56		31-51-12	GDX0001	S..	2	N2	3		VF181-VF190
871	2	PA	D02261	57		31-51-12	GDX0003	S..	2	N2	2		SM001-SM010
871	2	PA	D02261	57		31-51-12	GDX0003	S..	2	N2	3		VF181-VF190
872	2	PA	D02261	59		31-51-11	GDX0005	S..	2	N2	1		SM001-SM010
872	2	PA	D02261	59		31-51-11	GDX0005	S..	2	N2	3		VF181-VF190
873	4	PV	D02261	60		31-51-12	SM00055		W	N2	1	PAJ-F2	SM001-SM010
873	4	PV	D02261	60		31-51-12	SM00055		W	N2	2		VF181-VF190
873Z			D02261	DED		31-51-12	SM00055	REF		N2		PAJ-F2	SM001-SM010
873Z			D02261	DED		31-51-12	SM00055	REF		N2		PAJ-F2	VF181-VF190
874	4	PV	D02261	62		31-51-11	SM00049		W	N2	1	PAJ-F2	SM001-SM010
874	4	PV	D02261	62		31-51-11	SM00049		W	N2	2		VF181-VF190
874Z			D02261	DED		31-51-11	SM00049	REF		N2		PAJ-F2	SM001-SM010
874Z			D02261	DED		31-51-11	SM00049	REF		N2		PAJ-F2	VF181-VF190
875	4	PV	D02261	63		31-51-12	SM00056		W	N2	1	PAJ-F2	SM001-SM010
875	4	PV	D02261	63		31-51-12	SM00056		W	N2	2		VF181-VF190
875Z			D02261	DED		31-51-12	SM00056	REF		N2		PAJ-F2	SM001-SM010
875Z			D02261	DED		31-51-12	SM00056	REF		N2		PAJ-F2	VF181-VF190
876	4	PK	D02261	65		31-51-11	SM00022		W	N2	1	PAJ-F2	SM001-SM010

286T0045-601
Wire Bundle Assembly
Figure 129 (Sheet 32)

25-71-02

TESTING & TROUBLE SHOOTING
01 Page 174M
Nov 01/02

WIRE			FROM EQUIPMENT			TO EQUIPMENT			WIRE INFO				
NUMBER	GA	TYP	NUMBER	TERM	TT	WDM REF	NUMBER	TERM	TT	EMC/ SEP	FT	NOTES	EFFECTIVITY
876	4	PK	D02261	65		31-51-11	SM00022		W	N2	4		VF181-VF190
877	4	PV	D00811	14		31-51-11	SM00018		W	N2	2	PAJ-F2	SM001-SM010
877	4	PV	D00811	14		31-51-11	SM00018		W	N2	4		VF181-VF190
877Z			D00811	DED		31-51-11	SM00018	REF		N2		PAJ-F2	SM001-SM010
877Z			D00811	DED		31-51-11	SM00018	REF		N2		PAJ-F2	VF181-VF190
878	4	PV	D00811	48		31-51-11	SM00047		W	N2	2		SM001-SM010
878	4	PV	D00811	48		31-51-11	SM00047		W	N2	4		VF181-VF190
878Z			D00811	DED		31-51-11	SM00047	REF		N2		PAJ-F2	SM001-SM010
878Z			D00811	DED		31-51-11	SM00047	REF		N2		PAJ-F2	VF181-VF190
879	4	PV	D00811	23		31-51-11	SM00049		W	N2	2		SM001-SM010
879	4	PV	D00811	23		31-51-11	SM00049		W	N2	4		VF181-VF190
879Z			D00811	DED		31-51-11	SM00049	REF		N2		PAJ-F2	SM001-SM010
879Z			D00811	DED		31-51-11	SM00049	REF		N2		PAJ-F2	VF181-VF190
880	4	PV	D00813	14		31-51-12	SM00054		W	N2	2	PAJ-F2	SM001-SM010
880	4	PV	D00813	14		31-51-12	SM00054		W	N2	4		VF181-VF190
880Z			D00813	DED		31-51-12	SM00054	REF		N2		PAJ-F2	SM001-SM010
880Z			D00813	DED		31-51-12	SM00054	REF		N2		PAJ-F2	VF181-VF190
881	4	PV	D00813	48		31-51-12	SM00055		W	N2	2		SM001-SM010
881	4	PV	D00813	48		31-51-12	SM00055		W	N2	4		VF181-VF190
881Z			D00813	DED		31-51-12	SM00055	REF		N2		PAJ-F2	SM001-SM010
881Z			D00813	DED		31-51-12	SM00055	REF		N2		PAJ-F2	VF181-VF190
882	4	PV	D00813	23		31-51-12	SM00056		W	N2	2		SM001-SM010
882	4	PV	D00813	23		31-51-12	SM00056		W	N2	4		VF181-VF190
882Z			D00813	DED		31-51-12	SM00056	REF		N2		PAJ-F2	SM001-SM010
882Z			D00813	DED		31-51-12	SM00056	REF		N2		PAJ-F2	VF181-VF190
884	2	PA	D02261	47		38-32-11	D04347J	27		N2	2		SM001-SM010
884	2	PA	D02261	47		38-32-11	D04347J	27		N2	4		VF181-VF190
885	4	PK	D04303J	9		31-51-21	SM00057		W	N2	1	PAJ-F2	SM001-SM010
885	4	PK	D04303J	9		31-51-21	SM00057		W	N2	3		VF181-VF190
886	4	PK	D04507J	3		31-51-21	SM00058		W	N2	1	PAJ-F2	SM001-SM010
886	4	PK	D04507J	3		31-51-21	SM00058		W	N2	3		VF181-VF190
887	4	PK	D04507J	1		31-51-21	SM00058		W	N2	1	PAJ-F2	SM001-SM010
887	4	PK	D04507J	1		31-51-21	SM00058		W	N2	3		VF181-VF190

286T0045-601
Wire Bundle Assembly
Figure 129 (Sheet 33)

25-71-02

BOEING
 COMPONENT
 MAINTENANCE MANUAL

WIRE			FROM EQUIPMENT			TO EQUIPMENT			WIRE INFO				
NUMBER	GA	TYP	NUMBER	TERM	TT	WDM REF	NUMBER	TERM	TT	EMC/SEP	FT	NOTES	EFFECTIVITY
888	4	PK	SM00057		W	31-51-21	D04349J	44		N2	1	PAJ-F2	SM001-SM010
888	4	PK	SM00057		W	31-51-21	D04349J	44		N2	3		VF181-VF190

286T0045-601
 Wire Bundle Assembly
 Figure 129 (Sheet 34)

25-71-02

WIRE		FROM EQUIPMENT			TO EQUIPMENT			WIRE INFO					
NUMBER	GA	TYP	NUMBER	TERM	TT	WD REF	NUMBER	TERM	TT	EMC/ SEP	FT	NOTE	EFFECTIVITY
FRB			D00813			31-51-12	D00813	59		N2			
FRD			D00811			31-51-11	D00811	59		N2			
FRG			D04349J	58		31-41-35	D04349J			N2			
FRH			D04349J	61		28-41-11	D04349J			N2			
PA1			D00815	47		99-99-99	D00815	63		N2		DAW-B2	
PA2			D00817	8		99-99-99	D00817	57		N2		DAW-B2	
PA3			D00819	41		99-99-99	D00819	55		N2		DAW-B2	
PA4			D00821	43		99-99-99	D00821	60		N2		DAW-B2	
PA5			D00823	52		99-99-99	D00823	65		N2		DAW-B2	
PA6			D01433	44		99-99-99	D01433	61		N2		DAW-B2	
PA7			D01381	52		99-99-99	D01381	65		N2		DAW-B2	
PA8			D01487	8		99-99-99	D01487	57		N2		DAW-B2	
PA9			D01489	56		99-99-99	D01489	65		N2		DAW-B2	
PB4			D02261	54		99-99-99	D02261	61		N2		DAW-B2	
P01		SE	D11553							N2			
1	22	PA	D00811	60		31-51-11	GDX0001	S..	2	N2	3	UAE-F2	VR201-VR201 VR251-VR251 VW706-VW770 VW851-VW999
1	22	PA	D00811	60		31-51-11	GDX0001	S..	2	N2	4	UAE-F2	VW701-VW705 VW771-VW850
2	22	PA	D00821	14		31-51-11	GDX0002	D..	2	N2	2		VR201-VR201 VR251-VR251 VW706-VW770 VW851-VW999
2	22	PA	D00821	14		31-51-11	GDX0002	D..	2	N2	4		VW701-VW705 VW771-VW850
3	24	PV	D00811	26		31-51-11	D00821	27		N2	3		VR201-VR201 VW706-VW770 VW851-VW999
3	24	PV	D00811	26		31-51-11	D00821	27		N2	3		VR251-VR251
3	24	PV	D00811	26		31-51-11	D00821	27		N2	5		VW701-VW705 VW771-VW850
003Z			D00811	DED		31-51-11	D00821			N2			
4	24	PV	D00811	49		31-51-11	D00821	32		N2	3		VR201-VR201 VW706-VW770 VW851-VW999
4	24	PV	D00811	49		31-51-11	D00821	32		N2	3		VR251-VR251
4	24	PV	D00811	49		31-51-11	D00821	32		N2	5		VW701-VW705 VW771-VW850
004Z			D00811	DED		31-51-11	D00821			N2			
5	24	PV	D00811	35		31-51-11	D00821	17		N2	3		VR201-VR201 VW706-VW770 VW851-VW999
5	24	PV	D00811	35		31-51-11	D00821	17		N2	3		VR251-VR251
5	24	PV	D00811	35		31-51-11	D00821	17		N2	5		VW701-VW705 VW771-VW850

286T0045-701
Wire Bundle Assembly
Figure 130 (Sheet 1)

25-71-02



BOEING
COMPONENT
MAINTENANCE MANUAL

WIRE NUMBER	GA	TYP	FROM EQUIPMENT		TO EQUIPMENT		WD REF	TERM	TT	EMC/SEP	FT	NOTE	WIRE INFO EFFECTIVITY
			NUMBER	TERMINAL	NUMBER	TERMINAL							
005Z	6	24	PK	D00811	DED	31-51-11	D00821	W	N2	1		VR201-VR201 VR251-VR251	
				SM00022		31-51-11	D00821		N2			VW851-VW999	
6	24	24	PK	SM00022		31-51-11	D00821	W	N2	3		VW701-VW705 VW771-VW850	
7	24	24	PK	D00811	65	31-51-11	SM00022		N2	2		VR201-VR201 VW706-VW770	
7	24	24	PK	D00811	65	31-51-11	SM00022		N2	2		VW851-VW999	
7	24	24	PK	D00811	65	31-51-11	SM00022		N2	4		VR251-VR251	
8	24	24	PK	D00819	37	31-51-11	SM00022		N2	1		VW701-VW705 VW771-VW850	
8	24	24	PK	D00819	37	31-51-11	SM00022		N2	3		VR201-VR201 VR251-VR251	
9	24	24	PV	D00819	27	31-51-11	D00811		N2	3		VW851-VW999	
9	24	24	PV	D00819	27	31-51-11	D00811		N2	3		VW701-VW705 VW771-VW850	
9	24	24	PV	D00819	27	31-51-11	D00811		N2	4		VR201-VR201 VR251-VR251	
009Z	10	22	PA	D00811	DED	31-51-11	D00819		N2	2		VW851-VW999	
10	22	22	PA	D00819	14	31-51-11	GDX0001		N2	2		VR201-VR201 VR251-VR251	
10	22	22	PA	D00819	14	31-51-11	GDX0001		N2	2		VW851-VW999	
11	24	24	PK	D01433	51	31-51-11	SM00022		N2	3		VW701-VW705 VW771-VW850	
11	24	24	PK	D01433	51	31-51-11	SM00022		N2	1		VR201-VR201 VR251-VR251	
12	24	24	PV	SM00018	51	31-51-11	SM00022		N2	3		VW851-VW999	
12	24	24	PV	SM00018	51	31-51-11	SM00022		N2	1		VW701-VW705 VW771-VW850	
012Z	12	24	PV	SM00018	REF	31-51-11	D01433		N2	4		VR201-VR201 VR251-VR251	
13	24	24	PV	SM00047		31-51-11	D01433		N2	4		VW851-VW999	
13	24	24	PV	SM00047		31-51-11	D01433		N2	1		VW701-VW705 VW771-VW850	
013Z	13	24	PV	SM00047	REF	31-51-11	D01433		N2	3		VR201-VR201 VR251-VR251	
14	24	24	PV	SM00049		31-51-11	D01433		N2	3		VW851-VW999	
14	24	24	PV	SM00049		31-51-11	D01433		N2	1		VW701-VW705 VW771-VW850	
014Z	14	24	PV	SM00049	REF	31-51-11	D01433		N2	4		VR201-VR201 VR251-VR251	
				SM00049		31-51-11	D01433		N2	4		VW851-VW999	

286T0045-701
Wire Bundle Assembly
Figure 130 (Sheet 2)

25-71-02

WIRE		FROM EQUIPMENT			TO EQUIPMENT			WIRE INFO					
NUMBER	GA	TYP	NUMBER	TERM	TT	WD	REF	NUMBER	TERM	TT	EMC / FT	NOTE	EFFECTIVITY
											SEP		
15	22	PA	D01433	14		31-51-11		GDX0001	D..	2	N2		VR201-VR201 VR251-VR251 VW706-VW770 VW851-VW999
15	22	PA	D01433	14		31-51-11		GDX0001	D..	2	N2		VW701-VW705 VW771-VW850
16	20	PA	SM00028		W	31-51-11		GDX0005	D..	2	N2		
17	20	UA	GDX0002	S..	2	31-51-11		D00821		2	N2		VR201-VR201 VR251-VR251 VW706-VW770 VW851-VW999
17	20	UA	GDX0002	S..	2	31-51-11		D00821		2	N2		VW701-VW705 VW771-VW850
18	20	UA	GDX0005	S..	2	31-51-11		D00819		2	N2		VR201-VR201 VR251-VR251 VW706-VW770 VW851-VW999
18	20	UA	GDX0005	S..	2	31-51-11		D00819		2	N2		VW701-VW705 VW771-VW850
19	20	UA	D01433			31-51-11		GDX0002	S..	2	N2		VR201-VR201 VR251-VR251 VW706-VW770 VW851-VW999
19	20	UA	D01433			31-51-11		GDX0002	S..	2	N2		VW701-VW705 VW771-VW850
20	20	PA	GDX0005	D..	2	31-51-11		SM00029		W	N2		
21	20	UA	GDX0002	S..	2	31-51-11		D01503		2	N2		VR201-VR201 VR251-VR251 VW706-VW770 VW851-VW999
21	20	UA	GDX0002	S..	2	31-51-11		D01503		2	N2		VW701-VW705 VW771-VW850
23	20	UA	D00815			31-51-11		GDX0002	S..	2	N2		VR201-VR201 VR251-VR251 VW706-VW770 VW851-VW999
23	20	UA	D00815			31-51-11		GDX0002	S..	2	N2		VW701-VW705 VW771-VW850
24	24	PK	D04349J	38		31-51-11		SM00005		W	N2		VR201-VR201 VR251-VR251 VW706-VW770 VW851-VW999
24	24	PK	D04349J	38		31-51-11		SM00005		W	N2		VW701-VW705 VW771-VW850
25	24	PK	D01503	A2		31-51-11		SM00005		W	N2		VR201-VR201 VR251-VR251 VW706-VW770 VW851-VW999
25	24	PK	D01503	A2		31-51-11		SM00005		W	N2		VW701-VW705 VW771-VW850
26	20	PA	D01503	A3		31-51-11		GDX0003	D..	2	N2		VR201-VR201 VR251-VR251 VW706-VW770 VW851-VW999
26	20	PA	D01503	A3		31-51-11		GDX0003	D..	2	N2		VW701-VW705 VW771-VW850
27	22	PQ	D01503	X2		31-51-11		D00811	75	3	N2		VR201-VR201 VW706-VW770 VW851-VW999
27	22	PQ	D01503	X2		31-51-11		D00811	75	4	N2		VR251-VR251
27	22	PQ	D01503	X2		31-51-11		D00811	75	5	N2		VW701-VW705 VW771-VW850

286T0045-701

Wire Bundle Assembly
Figure 130 (Sheet 3)

25-71-02

TESTING & TROUBLE SHOOTING
01

Page 174R
Nov 01/02



BOEING
COMPONENT
MAINTENANCE MANUAL

WIRE NUMBER	GA	FROM EQUIPMENT			TO EQUIPMENT			WIRE INFO				
		TYP	NUMBER	TERM	TT	WD REF	NUMBER	TERM	TT	EMC/ FT	NOTE	EFFECTIVITY
027Z												
28	24	PV	D00811 D01503	DED X1		31-51-11 31-51-11	D01503 SM00015	W		N2 N2	1	VR201-VR201 VR251-VR251 VW701-VW705 VW771-VW850
28	24	PV	D01503	X1		31-51-11	SM00015	W		N2	3	VR201-VR201 VR251-VR251 VW701-VW705 VW771-VW850
028Z												
29	24	PV	D00811	REF		31-51-11	D01503	W		N2	2	VR201-VR201 VR251-VR251 VW701-VW705 VW771-VW850
29	24	PV	D00811	46		31-51-11	SM00015	W		N2	2	VR201-VR201 VR251-VR251 VW701-VW705 VW771-VW850
29	24	PV	D00811	46		31-51-11	SM00015	W		N2	3	VR201-VR201 VR251-VR251 VW701-VW705 VW771-VW850
029Z												
30	24	PK	SM00015 SM00015	REF		31-51-11 31-51-11	D00811 D11553	DED		N2	1	VR201-VR201 VR251-VR251 VW701-VW705 VW771-VW850
30	24	PK	SM00015			31-51-11	D11553	35		N2	3	VR201-VR201 VR251-VR251 VW701-VW705 VW771-VW850
32	20	PA	D11553	11		31-51-11	GDX0003	D..	2	N2	2	VR201-VR201 VR251-VR251 VW701-VW705 VW771-VW850
32	20	PA	D11553	11		31-51-11	GDX0003	D..	2	N2	4	VR201-VR201 VR251-VR251 VW701-VW705 VW771-VW850
33	24	PK	D11553	37		31-51-11	D00811	34		N2	3	VR201-VR201 VR251-VR251 VW701-VW705 VW771-VW850
33	24	PK	D11553	37		31-51-11	D00811	34		N2	4	VR201-VR201 VR251-VR251 VW701-VW705 VW771-VW850
33	24	PK	D11553	37		31-51-11	D00811	34		N2	5	VR201-VR201 VR251-VR251 VW701-VW705 VW771-VW850
34	24	PK	D11553	36		31-51-11	D00811	33		N2	3	VR201-VR201 VR251-VR251 VW701-VW705 VW771-VW850
34	24	PK	D11553	36		31-51-11	D00811	33		N2	4	VR201-VR201 VR251-VR251 VW701-VW705 VW771-VW850
34	24	PK	D11553	36		31-51-11	D00811	33		N2	5	VR201-VR201 VR251-VR251 VW701-VW705 VW771-VW850
35	22	PA	D00815	14		31-51-11	GDX0001	D..	2	N2	2	VR201-VR201 VR251-VR251 VW701-VW705 VW771-VW850
35	22	PA	D00815	14		31-51-11	GDX0001	D..	2	N2	4	VR201-VR201 VR251-VR251 VW701-VW705 VW771-VW850
36	24	PV	D00815	27		31-51-11	D00811	12		N2	3	VR201-VR201 VR251-VR251 VW701-VW705 VW771-VW850
36	24	PV	D00815	27		31-51-11	D00811	12		N2	4	VR201-VR201 VR251-VR251 VW701-VW705 VW771-VW850
036Z												
37	24	PV	D00815	32		31-51-11	D00811	17		N2	3	VR201-VR201 VR251-VR251 VW701-VW705 VW771-VW850
37	24	PV	D00815	32		31-51-11	D00811	17		N2	4	VR201-VR201 VR251-VR251 VW701-VW705 VW771-VW850
037Z												

286T0045-701
Wire Bundle Assembly
Figure 130 (Sheet 4)

25-71-02

WIRE		FROM EQUIPMENT			TO EQUIPMENT			WIRE INFO				
NUMBER	GA	TYP	NUMBER	TERM	TT	WD REF	NUMBER	TERM	TT	EMC / FT	NOTE	EFFECTIVITY
									SEP			
38		24	PV	D00815	17		D00811	22		N2	3	VR201-VR201 VR251-VR251 VW706-VW770 VW851-VW999
38		24	PV	D00815	17	31-51-11	D00811	22		N2	4	VW701-VW705 VW771-VW850
038Z		24	PK	D00815	54	31-51-11	SM00020		W	N2	1	VR201-VR201 VR251-VR251 VW706-VW770 VW851-VW999
39		24	PK	D00815	54	31-51-11	SM00020		W	N2	3	VW701-VW705 VW771-VW850
40		24	PK	D00811	63	31-51-11	SM00020		W	N2	2	VR201-VR201 VW706-VW770 VW851-VW999
40		24	PK	D00811	63	31-51-11	SM00020		W	N2	2	VR251-VR251
40		24	PK	D00811	63	31-51-11	SM00020		W	N2	3	VW701-VW705 VW771-VW850
41		24	PK	D00823	35	31-51-11	SM00020		W	N2	1	VR201-VR201 VR251-VR251 VW706-VW770 VW851-VW999
41		24	PK	D00823	35	31-51-11	SM00020		W	N2	2	VW701-VW705 VW771-VW850
42		24	PK	D01381	35	31-51-11	SM00020		W	N2	1	VR201-VR201 VR251-VR251 VW706-VW770 VW851-VW999
42		24	PK	D01381	35	31-51-11	SM00020		W	N2	2	VW701-VW705 VW771-VW850
45		22	PA	D01381	14	31-51-11	GDX0001	D..	2	N2	2	VR201-VR201 VR251-VR251 VW706-VW770 VW851-VW999
45		22	PA	D01381	14	31-51-11	GDX0001	D..	2	N2	3	VW701-VW705 VW771-VW850
46		22	PA	D01381	48	31-51-11	GDX0003	D..	2	N2	2	VR201-VR201 VR251-VR251 VW706-VW770 VW851-VW999
46		22	PA	D01381	48	31-51-11	GDX0003	D..	2	N2	3	VW701-VW705 VW771-VW850
47		24	PV	D01381	27	31-51-11	D00811	11		N2	3	VR201-VR201 VW706-VW770 VW851-VW999
47		24	PV	D01381	27	31-51-11	D00811	11		N2	3	VR251-VR251
47		24	PV	D01381	27	31-51-11	D00811	11		N2	4	VW701-VW705 VW771-VW850
047Z		24	PV	D00811	DED		D01381			N2		
48		24	PV	D01381	32	31-51-11	D00811	16		N2	3	VR201-VR201 VW706-VW770 VW851-VW999
48		24	PV	D01381	32	31-51-11	D00811	16		N2	3	VR251-VR251
48		24	PV	D01381	32	31-51-11	D00811	16		N2	4	VW701-VW705 VW771-VW850
048Z		24	PV	D00811	DED		D01381			N2		
49		24	PV	D01381	17	31-51-11	D00811	21		N2	3	VR201-VR201 VW706-VW770 VW851-VW999
49		24	PV	D01381	17	31-51-11	D00811	21		N2	3	VR251-VR251

286T0045-701
Wire Bundle Assembly
Figure 130 (Sheet 5)

25-71-02



BOEING
COMPONENT
MAINTENANCE MANUAL

WIRE		FROM EQUIPMENT			TO EQUIPMENT			WIRE INFO				
NUMBER	GA	TYP	NUMBER	TERM	TT	WD REF	NUMBER	TERM	TT	EMC/ FT	NOTE	EFFECTIVITY
49		PV	D01381	17		31-51-11	D00811	21		N2	4	VW701-VW705 VW771-VW850
049Z			D00811	DED		31-51-11	D01381			N2		
52	22	PA	D00823	14		31-51-11	GDX0001	D..	2	N2	2	VR201-VR201 VR251-VR251 VW706-VW770 VW851-VW999
52	22	PA	D00823	14		31-51-11	GDX0001	D..	2	N2	3	VW701-VW705 VW771-VW850
53	22	PA	D00823	48		31-51-11	GDX0003	D..	2	N2	2	VR201-VR201 VR251-VR251 VW706-VW770 VW851-VW999
53	22	PA	D00823	48		31-51-11	GDX0003	D..	2	N2	3	VW701-VW705 VW771-VW850
54	24	PV	D00823	27		31-51-11	D00811	10		N2	3	VR201-VR201 VW706-VW770 VW851-VW999
54	24	PV	D00823	27		31-51-11	D00811	10		N2	3	VR251-VR251
54	24	PV	D00823	27		31-51-11	D00811	10		N2	4	VW701-VW705 VW771-VW850
054Z			D00811	DED		31-51-11	D00823			N2		
55	24	PV	D00823	32		31-51-11	D00811	15		N2	3	VR201-VR201 VW706-VW770 VW851-VW999
55	24	PV	D00823	32		31-51-11	D00811	15		N2	3	VR251-VR251
55	24	PV	D00823	32		31-51-11	D00811	15		N2	4	VW701-VW705 VW771-VW850
055Z			D00811	DED		31-51-11	D00823			N2		
56	24	PV	D00823	17		31-51-11	D00811	20		N2	3	VR201-VR201 VW706-VW770 VW851-VW999
56	24	PV	D00823	17		31-51-11	D00811	20		N2	3	VR251-VR251
56	24	PV	D00823	17		31-51-11	D00811	20		N2	4	VW701-VW705 VW771-VW850
056Z			D00811	DED		31-51-11	D00823			N2		
57	22	PA	D00817	14		31-51-11	GDX0002	D..	2	N2	2	VR201-VR201 VR251-VR251 VW706-VW770 VW851-VW999
57	22	PA	D00817	14		31-51-11	GDX0002	D..	2	N2	4	VW701-VW705 VW771-VW850
58	24	PV	D00817	27		31-51-11	D00811	51		N2	3	VR201-VR201 VW706-VW770 VW851-VW999
58	24	PV	D00817	27		31-51-11	D00811	51		N2	3	VR251-VR251
58	24	PV	D00817	27		31-51-11	D00811	51		N2	5	VW701-VW705 VW771-VW850
058Z			D00811	DED		31-51-11	D00817			N2		
59	24	PV	D00817	32		31-51-11	D00811	74		N2	3	VR201-VR201 VW706-VW770 VW851-VW999
59	24	PV	D00817	32		31-51-11	D00811	74		N2	3	VR251-VR251
59	24	PV	D00817	32		31-51-11	D00811	74		N2	5	VW701-VW705 VW771-VW850
059Z			D00811	DED		31-51-11	D00817			N2		

286T0045-701
Wire Bundle Assembly
Figure 130 (Sheet 6)

25-71-02

WIRE NUMBER	GA	TYP	FROM EQUIPMENT			WD REF	TO EQUIPMENT			WIRE INFO		
			NUMBER	TERM	TT		NUMBER	TERM	TT	EMC/ SEP	FT	NOTE
60	24	PK	D00817	45		31-51-11	SM00021		W	N2	1	VR201-VR201 VR251-VR251 VW706-VW770 VW851-VW999
60	24	PK	D00817	45		31-51-11	SM00021		W	N2	3	VW701-VW705 VW771-VW850
61	24	PK	D00811	64		31-51-11	SM00021		W	N2	2	VR201-VR201 VW706-VW770 VW851-VW999
61	24	PK	D00811	64		31-51-11	SM00021		W	N2	2	VR251-VR251
61	24	PK	D00811	64		31-51-11	SM00021		W	N2	3	VW701-VW705 VW771-VW850
62	24	PK	D01489	16		31-51-11	SM00021		W	N2	1	VR201-VR201 VR251-VR251 VW706-VW770 VW851-VW999
62	24	PK	D01489	16		31-51-11	SM00021		W	N2	3	VW701-VW705 VW771-VW850
63	24	PK	D01487	45		31-51-11	SM00021		W	N2	1	VR201-VR201 VR251-VR251 VW706-VW770 VW851-VW999
63	24	PK	D01487	45		31-51-11	SM00021		W	N2	3	VW701-VW705 VW771-VW850
64	24	PV	D01487	27		31-51-11	D00811	47		N2	3	VR201-VR201 VW706-VW770 VW851-VW999
64	24	PV	D01487	27		31-51-11	D00811	47		N2	3	VR251-VR251
64	24	PV	D01487	27		31-51-11	D00811	47		N2	5	VW701-VW705 VW771-VW850
064Z	24		D00811	DED		31-51-11	D01487			N2	2	
65	24	PV	D01487	32		31-51-11	D00811	70		N2	3	VR201-VR201 VW706-VW770 VW851-VW999
65	24	PV	D01487	32		31-51-11	D00811	70		N2	3	VR251-VR251
65	24	PV	D01487	32		31-51-11	D00811	70		N2	5	VW701-VW705 VW771-VW850
065Z	24		D00811	DED		31-51-11	D01487			N2	2	
66	22	PA	D01487	14		31-51-11	GDX0003	D..	2	N2	2	VR201-VR201 VR251-VR251 VW706-VW770 VW851-VW999
66	22	PA	D01487	14		31-51-11	GDX0003	D..	2	N2	4	VW701-VW705 VW771-VW850
67	24	PV	D01489	27		31-51-11	D00811	45		N2	3	VR201-VR201 VR251-VR251 VW706-VW770 VW851-VW999
67	24	PV	D01489	27		31-51-11	D00811	45		N2	5	VW701-VW705 VW771-VW850
067Z	24		D00811	DED		31-51-11	D01489			N2	3	
68	24	PV	D01489	32		31-51-11	D00811	50		N2	3	VR201-VR201 VR251-VR251 VW706-VW770 VW851-VW999
68	24	PV	D01489	32		31-51-11	D00811	50		N2	5	VW701-VW705 VW771-VW850
068Z	24		D00811	DED		31-51-11	D01489			N2	2	

286T0045-701
Wire Bundle Assembly
Figure 130 (Sheet 7)

25-71-02



BOEING
COMPONENT
MAINTENANCE MANUAL

WIRE NUMBER	GA	TYP	FROM EQUIPMENT		TO EQUIPMENT		WIRE INFO					
			NUMBER	TERM	TT	WD REF	NUMBER	TERM	TT	EMC/SEP	FT	NOTE
69	24	PV	D01489	17		31-51-11	D00811	36	N2	3		VR201-VR201 VR251-VR251 VW706-VW770 VW851-VW999
69	24	PV	D01489	17		31-51-11	D00811	36	N2	5		VW701-VW705 VW771-VW850
069Z			D00811	DED		31-51-11	D01489		N2			
70	22	PA	D01489	14		31-51-11	GDX0003	D..	N2	2		VR201-VR201 VR251-VR251 VW706-VW770 VW851-VW999
70	22	PA	D01489	14		31-51-11	GDX0003	D..	N2	4		VW701-VW705 VW771-VW850
71	20	UA	D01381			31-51-11	GDX0002	S..	N2	2		VR201-VR201 VR251-VR251 VW706-VW770 VW851-VW999
71	20	UA	D01381			31-51-11	GDX0002	S..	N2	3		VW701-VW705 VW771-VW850
72	20	UA	D00823			31-51-11	GDX0002	S..	N2	2		VR201-VR201 VR251-VR251 VW706-VW770 VW851-VW999
72	20	UA	D00823			31-51-11	GDX0002	S..	N2	3		VW701-VW705 VW771-VW850
73	20	UA	D00817			31-51-11	GDX0002	S..	N2	2		VR201-VR201 VR251-VR251 VW706-VW770 VW851-VW999
73	20	UA	D00817			31-51-11	GDX0002	S..	N2	3		VW701-VW705 VW771-VW850
74	20	PA	SM00026		W	31-51-11	GDX0005	D..	N2	2		VR201-VR201 VR251-VR251 VW706-VW770 VW851-VW999
75	20	UA	D01487			31-51-11	GDX0005	S..	N2	3		VW701-VW705 VW771-VW850
75	20	UA	D01487			31-51-11	GDX0005	S..	N2	2		VR201-VR201 VR251-VR251 VW706-VW770 VW851-VW999
76	20	UA	D01487			31-51-11	GDX0005	S..	N2	4		VW701-VW705 VW771-VW850
76	20	UA	D01487			31-51-11	GDX0005	S..	N2	2		VR201-VR201 VR251-VR251 VW706-VW770 VW851-VW999
77	24	PK	D02361	40		31-41-35	D04349J	1	N2	2		VW701-VW705 VW771-VW850
77	24	PK	D02361	40		31-41-35	D04349J	1	N2	4		VR201-VR201 VR251-VR251 VW706-VW770 VW851-VW999
78	20	PA	SM00027		W	31-51-11	GDX0005	D..	N2	2		VW701-VW705 VW771-VW850
79	22	PA	D00813	60		31-51-12	GDX0003	S..	N2	2	UAE-F2	VR201-VR201 VR251-VR251 VW706-VW770 VW851-VW999
79	22	PA	D00813	60		31-51-12	GDX0003	S..	N2	3	UAE-F2	VR251-VR251
79	22	PA	D00813	60		31-51-12	GDX0003	S..	N2	4	UAE-F2	VW701-VW705 VW771-VW850
80	22	PA	D00821	15		31-51-12	GDX0002	D..	N2	2		VR201-VR201 VR251-VR251 VW706-VW770 VW851-VW999

286T0045-701
Wire Bundle Assembly
Figure 130 (Sheet 8)

25-71-02

WIRE		FROM EQUIPMENT			TO EQUIPMENT			WIRE INFO					
NUMBER	GA	TYP	NUMBER	TERM	TT	WD REF	NUMBER	TERM	TT	EMC/ SEP	FT	NOTE	EFFECTIVITY
80	22	PA	D00821	15		31-51-12	GDX0002	D..	2	N2	4		VW701-VW705 VW771-VW850
81	24	PV	D00821	30		31-51-12	D00813	26		N2	3		VR201-VR201 VW706-VW770 VW851-VW999
81	24	PV	D00821	30		31-51-12	D00813	26		N2	3		VR251-VR251
81	24	PV	D00821	30		31-51-12	D00813	26		N2	5		VW701-VW705 VW771-VW850
081Z			D00813	DED		31-51-12	D00821	49		N2	3		VR201-VR201 VW706-VW770 VW851-VW999
82	24	PV	D00821	33		31-51-12	D00813	49		N2	3		VR251-VR251
82	24	PV	D00821	33		31-51-12	D00813	49		N2	5		VW701-VW705 VW771-VW850
82	24	PV	D00821	33		31-51-12	D00813	49		N2	5		VR201-VR201 VW706-VW770 VW851-VW999
082Z			D00813	DED		31-51-12	D00821	35		N2	3		VR251-VR251
83	24	PV	D00821	24		31-51-12	D00813	35		N2	3		VW701-VW705 VW771-VW850
83	24	PV	D00821	24		31-51-12	D00813	35		N2	5		VR201-VR201 VR251-VR251 VW706-VW770
83	24	PV	D00821	24		31-51-12	D00813	35		N2	3		VW851-VW999
083Z			D00813	DED		31-51-12	D00821	35		N2	3		VW701-VW705 VW771-VW850
84	24	PK	D00821	19		31-51-12	SM00025		W	N2	1		VR201-VR201 VR251-VR251 VW706-VW770
84	24	PK	D00821	19		31-51-12	SM00025		W	N2	3		VW851-VW999
85	24	PK	D00813	65		31-51-12	SM00025		W	N2	2		VW701-VW705 VW771-VW850
85	24	PK	D00813	65		31-51-12	SM00025		W	N2	2		VR201-VR201 VW706-VW770 VW851-VW999
85	24	PK	D00813	65		31-51-12	SM00025		W	N2	4		VR251-VR251
86	24	PK	D00819	3		31-51-12	SM00025		W	N2	1		VW701-VW705 VW771-VW850
86	24	PK	D00819	3		31-51-12	SM00025		W	N2	3		VR201-VR201 VR251-VR251 VW706-VW770
87	24	PK	D01433	18		31-51-12	SM00025		W	N2	1		VW851-VW999
87	24	PK	D01433	18		31-51-12	SM00025		W	N2	3		VW701-VW705 VW771-VW850
88	22	PA	D01433	15		31-51-12	GDX0002	D..	2	N2	2		VR201-VR201 VR251-VR251 VW706-VW770
88	22	PA	D01433	15		31-51-12	GDX0002	D..	2	N2	2		VW851-VW999
89	24	PV	D01433	30		31-51-12	SM00054		W	N2	3		VW701-VW705 VW771-VW850
89	24	PV	D01433	30		31-51-12	SM00054		W	N2	1		VR201-VR201 VR251-VR251 VW706-VW770
89	24	PV	D01433	30		31-51-12	SM00054		W	N2	5		VW851-VW999
089Z			SM00054	REF		31-51-12	D01433		W	N2	5		VW701-VW705 VW771-VW850

286T0045-701
Wire Bundle Assembly
Figure 130 (Sheet 9)

25-71-02



BOEING
COMPONENT
MAINTENANCE MANUAL

WIRE NUMBER	GA	TYP	FROM EQUIPMENT		TO EQUIPMENT		WIRE INFO					
			NUMBER	TERM	TT	WD REF	NUMBER	TERM	TT	EMC/SEP	FT	NOTE
90	24	PV	D01433	33		31-51-12	SM00055	W	N2	1		VR201-VR201 VR251-VR251 VW706-VW770 VW851-VW999
90	24	PV	D01433	33		31-51-12	SM00055	W	N2	5		VW701-VW705 VW771-VW850
090Z	24	PV	SM00055	REF		31-51-12	D01433	W	N2	1		VR201-VR201 VR251-VR251 VW706-VW770 VW851-VW999
91	24	PV	D01433	24		31-51-12	SM00056	W	N2	5		VW701-VW705 VW771-VW850
091Z	22	PA	SM00056	REF		31-51-12	D01433	W	N2	2		VR201-VR201 VR251-VR251 VW706-VW770 VW851-VW999
92	22	PA	D00819	15		31-51-12	GDX0002	D..	N2	2		VW701-VW705 VW771-VW850
92	22	PA	D00819	15		31-51-12	GDX0002	D..	N2	3		VR201-VR201 VR251-VR251 VW706-VW770 VW851-VW999
93	24	PV	D00819	30		31-51-12	D00813	13	N2	3		VW701-VW705 VW771-VW850
93	24	PV	D00819	30		31-51-12	D00813	13	N2	4		VR201-VR201 VR251-VR251 VW706-VW770 VW851-VW999
093Z	20	PA	SM00032	DED		31-51-12	D00819	D..	N2	2		VW701-VW705 VW771-VW850
94	24	PV	D01505	X2	W	31-51-12	GDX0005	D..	N2	3		VR201-VR201 VR251-VR251 VW706-VW770 VW851-VW999
95	24	PV	D01505	X2		31-51-12	D00813	75	N2	3		VR251-VR251
95	24	PV	D01505	X2		31-51-12	D00813	75	N2	3		VW701-VW705 VW771-VW850
95	24	PV	D01505	X2		31-51-12	D00813	75	N2	5		
095Z	24	PV	D00813	DED		31-51-12	D01505		N2	1		VR201-VR201 VR251-VR251 VW706-VW770 VW851-VW999
96	24	PV	D01505	X1		31-51-12	SM00016	W	N2	3		VW701-VW705 VW771-VW850
96	24	PV	D01505	X1		31-51-12	SM00016	W	N2	3		VR201-VR201 VR251-VR251 VW706-VW770 VW851-VW999
096Z	24	PV	SM00016	REF		31-51-12	D01505		N2	2		VW701-VW705 VW771-VW850
97	24	PV	D00813	46		31-51-12	SM00016	W	N2	2		VR201-VR201 VR251-VR251 VW706-VW770 VW851-VW999
97	24	PV	D00813	46		31-51-12	SM00016	W	N2	2		VR251-VR251
97	24	PV	D00813	46		31-51-12	SM00016	W	N2	4		VW701-VW705 VW771-VW850
097Z	20	PA	SM00016	REF		31-51-12	D00813	DED	N2	2		
98	20	PA	SM00033		W	31-51-12	GDX0005	D..	N2	1		VR201-VR201 VR251-VR251 VW706-VW770 VW851-VW999
99	24	PK	SM00016		W	31-51-12	D11553	25	N2	1		VW701-VW705 VW771-VW850
99	24	PK	SM00016		W	31-51-12	D11553	25	N2	3		

286T0045-701
Wire Bundle Assembly
Figure 130 (Sheet 10)

25-71-02

WIRE		FROM EQUIPMENT			TO EQUIPMENT			WIRE INFO					
NUMBER	GA	TYP	NUMBER	TERM	TT	WD REF	NUMBER	TERM	TT	EMC / SEP	FT	NOTE	EFFECTIVITY
10A	24	PK	D01489	21		31-51-33	D04349J	44		N2	2	ZSZ-B6	VR201-VR201
10A	24	PK	D01489	21		31-51-33	D04349J	23		N2	2		VR251-VR251
100	20	PA	D11553	1		31-51-12	GDX0003	D..	2	N2	2		VR201-VR201 VR251-VR251 VW706-VW770
100	20	PA	D11553	1		31-51-12	GDX0003	D..	2	N2	4		VW851-VW999
101	20	UA	D00821			31-51-12	GDX0004	S..	2	N2	2		VW701-VW705 VW771-VW850
101	20	UA	D00821			31-51-12	GDX0004	S..	2	N2	2		VR201-VR201 VR251-VR251 VW706-VW770
102	20	UA	D00819			31-51-12	GDX0004	S..	2	N2	4		VW851-VW999
102	20	UA	D00819			31-51-12	GDX0004	S..	2	N2	2		VW701-VW705 VW771-VW850
103	20	UA	D01433			31-51-12	GDX0004	S..	2	N2	2		VR201-VR201 VR251-VR251 VW706-VW770
103	20	UA	D01433			31-51-12	GDX0004	S..	2	N2	3		VW851-VW999
104	20	UA	D01505			31-51-12	GDX0005	S..	2	N2	2		VW701-VW705 VW771-VW850
104	20	UA	D01505			31-51-12	GDX0005	S..	2	N2	3		VR201-VR201 VR251-VR251 VW706-VW770
106	20	UA	D00815			31-51-12	GDX0004	S..	2	N2	2		VW851-VW999
106	20	UA	D00815			31-51-12	GDX0004	S..	2	N2	4		VW701-VW705 VW771-VW850
106	20	UA	D00815			31-51-12	GDX0004	S..	2	N2	2		VR201-VR201 VR251-VR251 VW706-VW770
107	20	UA	D01381			31-51-12	GDX0004	S..	2	N2	3		VW851-VW999
107	20	UA	D01381			31-51-12	GDX0004	S..	2	N2	2		VW701-VW705 VW771-VW850
109	20	UA	D00817			31-51-12	GDX0004	S..	2	N2	3		VR201-VR201 VR251-VR251 VW706-VW770
109	20	UA	D00817			31-51-12	GDX0004	S..	2	N2	2		VW851-VW999
109	20	UA	D00817			31-51-12	GDX0004	S..	2	N2	3		VW701-VW705 VW771-VW850
110	20	UA	D01487			31-51-12	GDX0001	S..	2	N2	2		VR201-VR201 VR251-VR251 VW706-VW770
110	20	UA	D01487			31-51-12	GDX0001	S..	2	N2	4		VW851-VW999
111	20	UA	D01489			31-51-12	GDX0001	S..	2	N2	2		VW701-VW705 VW771-VW850
111	20	UA	D01489			31-51-12	GDX0001	S..	2	N2	4		VR201-VR201 VR251-VR251 VW706-VW770
111	20	UA	D01489			31-51-12	GDX0001	S..	2	N2	2		VW851-VW999
111	20	UA	D01489			31-51-12	GDX0001	S..	2	N2	4		VW701-VW705 VW771-VW850

286T0045-701
Wire Bundle Assembly
Figure 130 (Sheet 11)

25-71-02



BOEING
COMPONENT
MAINTENANCE MANUAL

WIRE NUMBER		FROM EQUIPMENT		TO EQUIPMENT		WIRE INFO						
GA	TYP	NUMBER	TERM	TT	WD REF	NUMBER	TERM	TT	EMC/SEP	FT	NOTE	EFFECTIVITY
112	22	PA	D00815	15	31-51-12	GDX0001	D..	2	N2	2		VR201-VR201 VR251-VR251 VW706-VW770 VW851-VW999
112	22	PA	D00815	15	31-51-12	GDX0001	D..	2	N2	4		VW701-VW705 VW771-VW850
113	24	PK	D01505	A2	31-51-12	SM00005		W	N2	1		VR201-VR201 VR251-VR251 VW706-VW770 VW851-VW999
113	24	PK	D01505	A2	31-51-12	SM00005		W	N2	3		VW701-VW705 VW771-VW850
114	20	PA	D01505	A3	31-51-12	GDX0003	D..	2	N2	2		VR201-VR201 VR251-VR251 VW706-VW770 VW851-VW999
114	20	PA	D01505	A3	31-51-12	GDX0003	D..	2	N2	4		VW701-VW705 VW771-VW850
115	24	PK	D02261	21	21-61-81	D04347J	25	W	N2	2		VR251-VR251 VW851-VW999
116	24	PK	D00815	21	31-51-12	SM00023		W	N2	1		VR201-VR201 VR251-VR251 VW706-VW770 VW851-VW999
116	24	PK	D00815	21	31-51-12	SM00023		W	N2	3		VW701-VW705 VW771-VW850
117	24	PK	D00813	63	31-51-12	SM00023		W	N2	2		VR201-VR201 VW706-VW770 VW851-VW999
117	24	PK	D00813	63	31-51-12	SM00023		W	N2	2		VR251-VR251
117	24	PK	D00813	63	31-51-12	SM00023		W	N2	4		VW701-VW705 VW771-VW850
118	24	PK	D00823	1	31-51-12	SM00023		W	N2	1		VR201-VR201 VR251-VR251 VW706-VW770 VW851-VW999
118	24	PK	D00823	1	31-51-12	SM00023		W	N2	2		VW701-VW705 VW771-VW850
119	24	PK	D01381	1	31-51-12	SM00023		W	N2	1		VR201-VR201 VR251-VR251 VW706-VW770 VW851-VW999
119	24	PK	D01381	1	31-51-12	SM00023		W	N2	2		VW701-VW705 VW771-VW850
120	22	PA	D01381	15	31-51-12	GDX0001	D..	2	N2	2		VR201-VR201 VR251-VR251 VW706-VW770 VW851-VW999
120	22	PA	D01381	15	31-51-12	GDX0001	D..	2	N2	3		VW701-VW705 VW771-VW850
121	24	PK	D00817	56	31-51-12	SM00024		W	N2	1		VR201-VR201 VR251-VR251 VW706-VW770 VW851-VW999
121	24	PK	D00817	56	31-51-12	SM00024		W	N2	3		VW701-VW705 VW771-VW850
122	24	PK	D00813	64	31-51-12	SM00024		W	N2	2		VR201-VR201 VW706-VW770 VW851-VW999
122	24	PK	D00813	64	31-51-12	SM00024		W	N2	2		VR251-VR251
122	24	PK	D00813	64	31-51-12	SM00024		W	N2	4		VW701-VW705 VW771-VW850

286T0045-701
Wire Bundle Assembly
Figure 130 (Sheet 12)

25-71-02

WIRE		FROM EQUIPMENT			TO EQUIPMENT			WIRE INFO					
NUMBER	GA	TYP	NUMBER	TERM	TT	WD REF	NUMBER	TERM	TT	EMC / SEP	FT	NOTE	EFFECTIVITY
123	24	PK	D01487	56		31-51-12	SM00024		W	N2	1		VR201-VR201 VR251-VR251 VW706-VW770 VW851-VW999
123	24	PK	D01487	56		31-51-12	SM00024		W	N2	3		VW701-VW705 VW771-VW850
124	22	PA	D00823	15		31-51-12	GDX0001	D..	2	N2	2		VR201-VR201 VR251-VR251 VW706-VW770 VW851-VW999
124	22	PA	D00823	15		31-51-12	GDX0001	D..	2	N2	3		VW701-VW705 VW771-VW850
125	20	UA	D00823			31-51-12	GDX0004	S..	2	N2	2		VR201-VR201 VR251-VR251 VW706-VW770 VW851-VW999
125	20	UA	D00823			31-51-12	GDX0004	S..	2	N2	3		VW701-VW705 VW771-VW850
126	24	PV	D00823	33		31-51-12	D00813	15	2	N2	3		VR201-VR201 VR251-VR251 VW706-VW770 VW851-VW999
126	24	PV	D00823	33		31-51-12	D00813	15	2	N2	5		VW701-VW705 VW771-VW850
126Z	24	PV	D00823	24		31-51-12	D00813	DED		N2			
127	24	PV	D00823	24		31-51-12	D00813	20	2	N2	3		VR201-VR201 VR251-VR251 VW706-VW770 VW851-VW999
127	24	PV	D00823	24		31-51-12	D00813	20	2	N2	5		VW701-VW705 VW771-VW850
127Z	24	PV	D00823	24		31-51-12	D00813	DED		N2			
128	22	PA	D00817	15		31-51-12	GDX0002	D..	2	N2	2		VR201-VR201 VR251-VR251 VW706-VW770 VW851-VW999
128	22	PA	D00817	15		31-51-12	GDX0002	D..	2	N2	4		VW701-VW705 VW771-VW850
129	24	PV	D00817	30		31-51-12	D00813	51	2	N2	3		VR201-VR201 VW706-VW770 VW851-VW999
129	24	PV	D00817	30		31-51-12	D00813	51	2	N2	3		VR251-VR251
129	24	PV	D00817	30		31-51-12	D00813	51	2	N2	5		VW701-VW705 VW771-VW850
129Z	24	PV	D00817	30		31-51-12	D00813	DED		N2			
130	24	PV	D00817	33		31-51-12	D00813	74	2	N2	3		VR201-VR201 VW706-VW770 VW851-VW999
130	24	PV	D00817	33		31-51-12	D00813	74	2	N2	3		VR251-VR251
130	24	PV	D00817	33		31-51-12	D00813	74	2	N2	5		VW701-VW705 VW771-VW850
130Z	24	PV	D00817	33		31-51-12	D00813	DED		N2			
131	24	PV	D00813	11		31-51-12	D01381	30	2	N2	3		VR201-VR201 VW706-VW770 VW851-VW999
131	24	PV	D00813	11		31-51-12	D01381	30	2	N2	3		VR251-VR251
131	24	PV	D00813	11		31-51-12	D01381	30	2	N2	5		VW701-VW705 VW771-VW850
131Z	24	PV	D01381	11		31-51-12	D00813	DED		N2			

286T0045-701
Wire Bundle Assembly
Figure 130 (Sheet 13)

25-71-02



COMPONENT
MAINTENANCE MANUAL

WIRE NUMBER		FROM EQUIPMENT		TO EQUIPMENT		WIRE INFO						
GA	TYP	NUMBER	TERM	TT	WD REF	NUMBER	TERM	TT	EMC/SEP	FT	NOTE	EFFECTIVITY
132	24	PV	D00813	16	31-51-12	D01381	33		N2	3		VR201-VR201 VW706-VW770 VW851-VW999
132	24	PV	D00813	16	31-51-12	D01381	33		N2	3		VR251-VR251
132	24	PV	D00813	16	31-51-12	D01381	33		N2	5		VW701-VW705 VW771-VW850
132Z			D01381		31-51-12	D00813	DED		N2			
133	24	PV	D01381	24	31-51-12	D00813	21		N2	3		VR201-VR201 VW706-VW770 VW851-VW999
133	24	PV	D01381	24	31-51-12	D00813	21		N2	3		VR251-VR251
133	24	PV	D01381	24	31-51-12	D00813	21		N2	5		VW701-VW705 VW771-VW850
133Z			D01381		31-51-12	D00813	DED		N2			
134	24	PK	D01489	50	31-51-12	SM00024		W	N2	1		VR201-VR201 VR251-VR251 VW706-VW770 VW851-VW999
134	24	PK	D01489	50	31-51-12	SM00024		W	N2	3		VW701-VW705 VW771-VW850
135	24	PV	D01487	30	31-51-12	D00813	47		N2	3		VR201-VR201 VW706-VW770 VW851-VW999
135	24	PV	D01487	30	31-51-12	D00813	47		N2	3		VR251-VR251
135	24	PV	D01487	30	31-51-12	D00813	47		N2	5		VW701-VW705 VW771-VW850
135Z			D01487		31-51-12	D00813	DED		N2			
136	24	PV	D01487	33	31-51-12	D00813	70		N2	3		VR201-VR201 VW706-VW770 VW851-VW999
136	24	PV	D01487	33	31-51-12	D00813	70		N2	3		VR251-VR251
136	24	PV	D01487	33	31-51-12	D00813	70		N2	5		VW701-VW705 VW771-VW850
136Z			D01487		31-51-12	D00813	DED		N2			
137	22	PA	D01487	15	31-51-12	GDX0003	D..	2	N2	2		VR201-VR201 VR251-VR251 VW706-VW770 VW851-VW999
137	22	PA	D01487	15	31-51-12	GDX0003	D..	2	N2	4		VW701-VW705 VW771-VW850
138	24	PV	D01489	30	31-51-12	D00813	45		N2	3		VR201-VR201 VR251-VR251 VW706-VW770 VW851-VW999
138	24	PV	D01489	30	31-51-12	D00813	45		N2	5		VW701-VW705 VW771-VW850
138Z			D01489		31-51-12	D00813	DED		N2			
139	24	PV	D01489	33	31-51-12	D00813	50		N2	3		VR201-VR201 VR251-VR251 VW706-VW770 VW851-VW999
139	24	PV	D01489	33	31-51-12	D00813	50		N2	5		VW701-VW705 VW771-VW850
139Z			D01489		31-51-12	D00813	DED		N2			
140	24	PV	D01489	24	31-51-12	D00813	36		N2	3		VR201-VR201 VR251-VR251 VW706-VW770 VW851-VW999

286T0045-701
Wire Bundle Assembly
Figure 130 (Sheet 14)

25-71-02

WIRE		FROM EQUIPMENT			TO EQUIPMENT			WIRE INFO				
NUMBER	GA	TYP	NUMBER	TERM	TT	WD REF	NUMBER	TERM	TT	EMC/ FT	NOTE	EFFECTIVITY
									SEP			
140	24	PV	D01489	24		31-51-12	D00813	36		N2		VW701-VW705 VW771-VW850
140Z			D01489			31-51-12	D00813	DED		N2		
141	22	PA	D01489	15		31-51-12	GDX0003	D..	2	N2		VR201-VR201 VR251-VR251 VW706-VW770 VW851-VW999
141	22	PA	D01489	15		31-51-12	GDX0003	D..	2	N2		VW701-VW705 VW771-VW850
142	24	PK	D00813	33		31-51-12	D11553	26		N2		VR201-VR201 VW706-VW770 VW851-VW999
142	24	PK	D00813	33		31-51-12	D11553	26		N2		VR251-VR251
142	24	PK	D00813	33		31-51-12	D11553	26		N2		VW701-VW705 VW771-VW850
143	24	PK	D11553	27		31-51-12	D00813	34		N2		VR201-VR201 VW706-VW770 VW851-VW999
143	24	PK	D11553	27		31-51-12	D00813	34		N2		VR251-VR251
143	24	PK	D11553	27		31-51-12	D00813	34		N2		VW701-VW705 VW771-VW850
144	24	PV	D00813	12		31-51-12	D00815	30		N2		VR201-VR201 VW706-VW770 VW851-VW999
144	24	PV	D00813	12		31-51-12	D00815	30		N2		VR251-VR251
144	24	PV	D00813	12		31-51-12	D00815	30		N2		VW701-VW705 VW771-VW850
144Z			D00813	DED		31-51-12	D00815	30		N2		
145	20	PA	SM00030		W	31-51-12	GDX0005	D..	2	N2		
146	24	PV	D00813	17		31-51-12	D00815	33		N2		VR201-VR201 VW706-VW770 VW851-VW999
146	24	PV	D00813	17		31-51-12	D00815	33		N2		VR251-VR251
146	24	PV	D00813	17		31-51-12	D00815	33		N2		VW701-VW705 VW771-VW850
146Z			D00813	DED		31-51-12	D00815	33		N2		
147	24	PV	D00813	22		31-51-12	D00815	24		N2		VR201-VR201 VW706-VW770 VW851-VW999
147	24	PV	D00813	22		31-51-12	D00815	24		N2		VR251-VR251
147	24	PV	D00813	22		31-51-12	D00815	24		N2		VW701-VW705 VW771-VW850
147Z			D00813	DED		31-51-12	D00815	24		N2		
148	24	PV	D00813	10		31-51-12	D00823	30		N2		VR201-VR201 VR251-VR251 VW706-VW770 VW851-VW999
148	24	PV	D00813	10		31-51-12	D00823	30		N2		VW701-VW705 VW771-VW850
148Z			D00813	DED		31-51-12	D00823	30		N2		
149	20	PA	SM00031		W	31-51-12	GDX0005	D..	2	N2		
150	22	PA	D04301J	6		27-32-11	D00823	34		N2		VR201-VR201 VR251-VR251 VW706-VW770 VW851-VW999
150	22	PA	D04301J	6		27-32-11	D00823	34		N2		VW701-VW705 VW771-VW850

286T0045-701
Wire Bundle Assembly
Figure 130 (Sheet 15)

25-71-02



COMPONENT
MAINTENANCE MANUAL

WIRE NUMBER	GA	TYP	FROM EQUIPMENT		TO EQUIPMENT		EMC/SEP	FT	NOTE	WIRE INFO EFFECTIVITY
			NUMBER	TERM	TT	NUMBER				
151	24	PK	D04509J	1	27-32-11	D00823	39	N2	2	VR201-VR201 VR251-VR251 VW706-VW770 VW851-VW999
151	24	PK	D04509J	1	27-32-11	D00823	39	N2	3	VW701-VW705 VW771-VW850
152	24	PK	D04347J	26	27-32-11	D00823	40	N2	2	VR201-VR201 VR251-VR251 VW706-VW770 VW851-VW999
152	24	PK	D04347J	26	27-32-11	D00823	40	N2	4	VW701-VW705 VW771-VW850
153	24	PK	D00823	31	27-32-11	D04509J	6	N2	2	VR201-VR201 VR251-VR251 VW706-VW770 VW851-VW999
153	24	PK	D00823	31	27-32-11	D04509J	6	N2	3	VW701-VW705 VW771-VW850
154	20	PA	D04509J	7	27-32-11	GDX0001	D..	N2	2	VR201-VR201 VR251-VR251 VW706-VW770 VW851-VW999
154	20	PA	D04509J	7	27-32-11	GDX0001	D..	N2	4	VW701-VW705 VW771-VW850
155	24	PK	SM00037		27-32-11	D04511J	3	N2	1	VR201-VR201 VR251-VR251 VW706-VW770 VW851-VW999
155	24	PK	SM00037		27-32-11	D04511J	3	N2	3	VW701-VW705 VW771-VW850
156	24	PK	D00823	38	27-32-11	D04511J	2	N2	2	VR201-VR201 VR251-VR251 VW706-VW770 VW851-VW999
156	24	PK	D00823	38	27-32-11	D04511J	2	N2	4	VW701-VW705 VW771-VW850
157	24	PK	D04511J	4	27-32-11	SM00050		N2	1	VR201-VR201 VR251-VR251 VW706-VW770 VW851-VW999
157	24	PK	D04511J	4	27-32-11	SM00050		N2	4	VW701-VW705 VW771-VW850
158	24	PK	SM00037		27-32-11	D00823	4	N2	1	VR201-VR201 VR251-VR251 VW706-VW770 VW851-VW999
158	24	PK	SM00037		27-32-11	D00823	4	N2	2	VW701-VW705 VW771-VW850
159	24	PK	D04349J	14	27-32-11	D00823	36	N2	1	VR201-VR201 VR251-VR251 VW706-VW770 VW851-VW999
159	24	PK	D04349J	14	27-32-11	D00823	36	N2	4	VW701-VW705 VW771-VW850
160	24	PK	D04349J	15	27-32-11	D00823	3	N2	1	VR201-VR201 VR251-VR251 VW706-VW770 VW851-VW999
160	24	PK	D04349J	15	27-32-11	D00823	3	N2	4	VW701-VW705 VW771-VW850
161	24	PK	D04349J	16	27-32-11	D00823	43	N2	1	VR201-VR201 VR251-VR251 VW706-VW770 VW851-VW999

286T0045-701
Wire Bundle Assembly
Figure 130 (Sheet 16)

25-71-02

WIRE NUMBER	GA	TYP	FROM EQUIPMENT			WD REF	TO EQUIPMENT			WIRE INFO		
			NUMBER	TERM	TT		NUMBER	TERM	TT	EMC/ SEP	FT	NOTE
161	24	PK	D04349J	16		27-32-11	D00823	43	N2	4		VW701-VW705 VW771-VW850
162	24	PK	D04349J	10		27-32-11	D00823	2	N2	1		VR201-VR201 VR251-VR251 VW706-VW770 VW851-VW999
162	24	PK	D04349J	10		27-32-11	D00823	2	N2	4		VW701-VW705 VW771-VW850
165	22	PA	D04349J	11		27-32-21	D01381	34	N2	2		VR201-VR201 VR251-VR251 VW706-VW770 VW851-VW999
165	22	PA	D04349J	11		27-32-21	D01381	34	N2	4		VW701-VW705 VW771-VW850
166	24	PK	D01381	40		27-32-21	D04349J	6	N2	2		VR201-VR201 VR251-VR251 VW706-VW770 VW851-VW999
166	24	PK	D01381	40		27-32-21	D04349J	6	N2	4		VW701-VW705 VW771-VW850
167	24	PK	D01381	31		27-32-21	D04511J	7	N2	2		VR201-VR201 VR251-VR251 VW706-VW770 VW851-VW999
167	24	PK	D01381	31		27-32-21	D04511J	7	N2	4		VW701-VW705 VW771-VW850
168	20	PA	GDX0002	D..	2	27-32-21	D04511J	8	N2	2		VR201-VR201 VR251-VR251 VW706-VW770 VW851-VW999
168	20	PA	GDX0002	D..	2	27-32-21	D04511J	8	N2	4		VW701-VW705 VW771-VW850
169	24	PK	D04349J	34		27-32-21	D01381	36	N2	2		VR201-VR201 VR251-VR251 VW706-VW770 VW851-VW999
169	24	PK	D04349J	34		27-32-21	D01381	36	N2	4		VW701-VW705 VW771-VW850
170	24	PK	D04349J	35		27-32-21	D01381	3	N2	2		VR201-VR201 VR251-VR251 VW706-VW770 VW851-VW999
170	24	PK	D04349J	35		27-32-21	D01381	3	N2	4		VW701-VW705 VW771-VW850
171	24	PK	D04349J	36		27-32-21	D01381	43	N2	2		VR201-VR201 VR251-VR251 VW706-VW770 VW851-VW999
171	24	PK	D04349J	36		27-32-21	D01381	43	N2	4		VW701-VW705 VW771-VW850
172	24	PK	D04349J	37		27-32-21	D01381	2	N2	2		VR201-VR201 VR251-VR251 VW706-VW770 VW851-VW999
172	24	PK	D04349J	37		27-32-21	D01381	2	N2	4		VW701-VW705 VW771-VW850
173	24	PK	D04511J	13		27-32-21	D01381	4	N2	2		VR201-VR201 VR251-VR251 VW706-VW770 VW851-VW999
173	24	PK	D04511J	13		27-32-21	D01381	4	N2	4		VW701-VW705 VW771-VW850

286T0045-701
Wire Bundle Assembly
Figure 130 (Sheet 17)

25-71-02



BOEING
COMPONENT
MAINTENANCE MANUAL

WIRE NUMBER	GA	TYP	FROM EQUIPMENT		TO EQUIPMENT		WIRE INFO					
			NUMBER	TERM	TT	WD REF	NUMBER	TERM	TT	EMC/SEP	FT	NOTE
174	24	PK	D04511J	16		27-32-21	D01381	37	N2	2		VR201-VR201 VR251-VR251 VW706-VW770 VW851-VW999
174	24	PK	D04511J	16		27-32-21	D01381	37	N2	4		VW701-VW705 VW771-VW850
175	24	PK	D04511J	15		27-32-21	D01381	38	N2	2		VR201-VR201 VR251-VR251 VW706-VW770 VW851-VW999
175	24	PK	D04511J	15		27-32-21	D01381	38	N2	4		VW701-VW705 VW771-VW850
176	24	PK	D04509J	8		27-32-21	D01381	39	N2	2		VR201-VR201 VR251-VR251 VW706-VW770 VW851-VW999
176	24	PK	D04509J	8		27-32-21	D01381	39	N2	4		VW701-VW705 VW771-VW850
177	24	PK	D00815	34		31-51-21	SM00057		N2	1		VR201-VR201 VR251-VR251 VW706-VW770 VW851-VW999
177	24	PK	D00815	34		31-51-21	SM00057		N2	3		VW701-VW705 VW771-VW850
178	24	PK	D00815	43		31-51-21	D01433	19	N2	2		VR201-VR201 VR251-VR251 VW706-VW770 VW851-VW999
178	24	PK	D00815	43		31-51-21	D01433	19	N2	4		VW701-VW705 VW771-VW850
179	24	PK	D00815	10		31-51-21	D00819	5	N2	2		VR201-VR201 VR251-VR251 VW706-VW770 VW851-VW999
179	24	PK	D00815	10		31-51-21	D00819	5	N2	3		VW701-VW705 VW771-VW850
180	24	PK	D04507J	5		31-51-21	SM00034		N2	1		VR201-VR201 VR251-VR251 VW706-VW770 VW851-VW999
180	24	PK	D04507J	5		31-51-21	SM00034		N2	3		VW701-VW705 VW771-VW850
181	24	PK	SM00058		W	31-51-21	D00815	66	N2	1		VR201-VR201 VR251-VR251 VW706-VW770 VW851-VW999
181	24	PK	SM00058		W	31-51-21	D00815	66	N2	3		VW701-VW705 VW771-VW850
182	24	PK	D00815	4		31-51-21	SM00034		N2	1		VR201-VR201 VR251-VR251 VW706-VW770 VW851-VW999
182	24	PK	D00815	4		31-51-21	SM00034		N2	3		VW701-VW705 VW771-VW850
183	24	PK	D00815	11		31-51-21	D04349J	39	N2	2		VR201-VR201 VR251-VR251 VW706-VW770 VW851-VW999
183	24	PK	D00815	11		31-51-21	D04349J	39	N2	5		VW701-VW705 VW771-VW850
184	22	PA	D00815	37		31-51-21	SM00035		N2	1		VR201-VR201 VR251-VR251 VW706-VW770 VW851-VW999

286T0045-701
Wire Bundle Assembly
Figure 130 (Sheet 18)

25-71-02

WIRE		FROM EQUIPMENT			TO EQUIPMENT			WIRE INFO					
NUMBER	GA	TYP	NUMBER	TERM	TT	WD REF	NUMBER	TERM	TT	EMC/SEP	FT	NOTE	EFFECTIVITY
184	22	PA	D00815	37		31-51-21	SM00035		W	N2	3		VW701-VW705 VW771-VW850
185	22	PA	D00815	42		31-51-21	SM00036		W	N2	1		VR201-VR201 VR251-VR251 VW706-VW770 VW851-VW999
185	22	PA	D00815	42		31-51-21	SM00036		W	N2	3		VW701-VW705 VW771-VW850
186	24	PK	D04349J	5		31-51-21	SM00012		W	N2	1		VR201-VR201 VR251-VR251 VW706-VW770 VW851-VW999
186	24	PK	D04349J	5		31-51-21	SM00012		W	N2	3		VW701-VW705 VW771-VW850
187	24	PK	D00815	2		31-51-21	SM00012		W	N2	1		VR201-VR201 VR251-VR251 VW706-VW770 VW851-VW999
187	24	PK	D00815	2		31-51-21	SM00012		W	N2	3		VW701-VW705 VW771-VW850
188	24	PK	SM00011		W	31-51-21	D04349J	4		N2	1		VR201-VR201 VR251-VR251 VW706-VW770 VW851-VW999
188	24	PK	SM00011		W	31-51-21	D04349J	4		N2	3		VW701-VW705 VW771-VW850
189	24	PK	SM00011		W	31-51-21	D00815	35		N2	1		VR201-VR201 VR251-VR251 VW706-VW770 VW851-VW999
189	24	PK	SM00011		W	31-51-21	D00815	35		N2	3		VW701-VW705 VW771-VW850
190	24	PK	D04349J	44		31-51-21	SM00009		W	N2	1		VR251-VR251 VW851-VW999
191	24	PK	D00815	44		31-51-21	SM00009		W	N2	1		VR251-VR251 VW851-VW999
192	24	PK	D04347J	10		31-51-21	SM00008		W	N2	1		VR201-VR201 VR251-VR251 VW706-VW770 VW851-VW999
192	24	PK	D04347J	10		31-51-21	SM00008		W	N2	3		VW701-VW705 VW771-VW850
193	24	PK	D00815	1		31-51-21	SM00008		W	N2	1		VR201-VR201 VR251-VR251 VW706-VW770 VW851-VW999
193	24	PK	D00815	1		31-51-21	SM00008		W	N2	3		VW701-VW705 VW771-VW850
194	24	PK	D04347J	11		31-51-21	SM00010		W	N2	1		VR201-VR201 VW706-VW770
194	24	PK	D04347J	11		31-51-21	SM00010		W	N2	3		VW701-VW705 VW771-VW850
195	24	PK	D00815	36		31-51-21	SM00010		W	N2	1		VR201-VR201 VW706-VW770
195	24	PK	D00815	36		31-51-21	SM00010		W	N2	3		VW701-VW705 VW771-VW850
196	24	PK	SM00039		W	31-51-21	D04347J	21		N2	1		VR201-VR201 VR251-VR251 VW706-VW770 VW851-VW999
196	24	PK	SM00039		W	31-51-21	D04347J	21		N2	3		VW701-VW705 VW771-VW850

286T0045-701
Wire Bundle Assembly
Figure 130 (Sheet 19)

25-71-02



BOEING
COMPONENT
MAINTENANCE MANUAL

WIRE NUMBER	GA	TYP	FROM EQUIPMENT		TO EQUIPMENT		TT	EMC/SEP	FT	NOTE	WIRE INFO EFFECTIVITY
			NUMBER	TERM	NUMBER	TERM					
197	24	PK	D00815	45	31-51-21	SM00039	W	N2	1		VR201-VR201 VR251-VR251 VW706-VW770 VW851-VW999
197	24	PK	D00815	45	31-51-21	SM00039	W	N2	3		VW701-VW705 VW771-VW850
198	24	PK	D00815	46	31-51-21	D04347J	6	N2	2		VR201-VR201 VR251-VR251 VW706-VW770 VW851-VW999
198	24	PK	D00815	46	31-51-21	D04347J	6	N2	5		VW701-VW705 VW771-VW850
199	20	PA	GDX0004	S..	31-51-31	D04597J	14	N2	2		VR201-VR201 VR251-VR251 VW706-VW770 VW851-VW999
199	20	PA	GDX0004	S..	31-51-31	D04597J	14	N2	4		VW701-VW705 VW771-VW850
201B	24	PW	D01489	43	31-51-33	SM00004	W	N2	1		VR201-VR201 VR251-VR251 VW706-VW770 VW851-VW999
201B	24	PW	D01489	43	31-51-33	SM00004	W	N2	4		VW701-VW705 VW771-VW850
201R	24	PW	D01489	9	31-51-33	SM00003	W	N2	2		VR201-VR201 VR251-VR251 VW706-VW770 VW851-VW999
201Z	20	UA	D04507J	DED	31-51-33	SM00003	REF	N2	2		VW701-VW705 VW771-VW850
204	20	UA	D04507J	18	27-32-11	GDX0004	S..	N2	2		VR201-VR201 VR251-VR251 VW706-VW770 VW851-VW999
204B	24	PW	D00823	18	27-32-11	D04507J	S..	N2	4		VW701-VW705 VW771-VW850
204B	24	PW	D00823	18	27-32-11	D04507J	12	N2	1		VR201-VR201 VR251-VR251 VW706-VW770 VW851-VW999
204R	24	PW	D00823	16	27-32-11	D04507J	11	N2	3		VW701-VW705 VW771-VW850
204Z	24	PW	D04507J	19	27-32-11	D00823	DED	N2	2		VR201-VR201 VR251-VR251 VW706-VW770 VW851-VW999
205B	24	PW	D00815	19	31-51-21	SM00007	W	N2	1		VW701-VW705 VW771-VW850
205B	24	PW	D00815	19	31-51-21	SM00007	W	N2	3		VR201-VR201 VR251-VR251 VW706-VW770 VW851-VW999
205R	24	PW	D00815	52	31-51-21	SM00006	W	N2	2		VW701-VW705 VW771-VW850
205Z	20	UA	D04597J	DED	31-51-21	SM00006	REF	N2	2		VR201-VR201 VR251-VR251 VW706-VW770 VW851-VW999
207	20	UA	D04597J	19	31-51-21	GDX0004	S..	N2	2		VW701-VW705 VW771-VW850
207	20	UA	D04597J	19	31-51-21	GDX0004	S..	N2	4		VR201-VR201 VR251-VR251 VW706-VW770 VW851-VW999
207B	24	PW	SM00007	W	31-51-21	D04597J	4	N2	1		VR201-VR201 VR251-VR251 VW706-VW770 VW851-VW999

286T0045-701
Wire Bundle Assembly
Figure 130 (Sheet 20)

25-71-02

WIRE		FROM EQUIPMENT			TO EQUIPMENT			WIRE INFO						
NUMBER	GA	TYP	NUMBER	TERM	TT	WD	REF	NUMBER	TERM	TT	EMC/SEP	FT	NOTE	EFFECTIVITY
207B	24	PW	SM00007		W	31-51-21		D04597J	4		N2	3		VW701-VW705 VW771-VW850
207R	24	PW	SM00006		W	31-51-21		D04597J	3		N2			
207Z			SM00006	REF		31-51-21		D04597J			N2			
208	20	UA	D04301J			34-16-11		GDX0002	S..	2	N2	2		VR201-VR201 VR251-VR251 VW706-VW770 VW851-VW999
208	20	UA	D04301J			34-16-11		GDX0002	S..	2	N2	4		VW701-VW705 VW771-VW850
208B	24	PW	D00821	36		34-16-11		D04301J	9		N2	2		VR201-VR201 VR251-VR251 VW706-VW770 VW851-VW999
208B	24	PW	D00821	36		34-16-11		D04301J	9		N2	4		VW701-VW705 VW771-VW850
208R	24	PW	D00821	2		34-16-11		D04301J	8		N2			
208Z			D00821	DED		34-16-11		D04301J			N2			
209B	24	PW	D01489	46		31-51-33		SM00007		W	N2	1		VR201-VR201 VR251-VR251 VW706-VW770 VW851-VW999
209B	24	PW	D01489	46		31-51-33		SM00007		W	N2	4		VW701-VW705 VW771-VW850
209R	24	PW	D01489	12		31-51-33		SM00006		W	N2			
209Z			D01489	DED		31-51-33		SM00006	REF		N2		ZSZ-B6	VR201-VR201
209Z			D01489	DED		31-51-33		SM00006	REF		N2		PAJ-F2	VR251-VR251 VW701-VW999
212B	24	PW	D01433	36		31-51-42		SM00007		W	N2	1		VR201-VR201 VR251-VR251 VW706-VW770 VW851-VW999
212B	24	PW	D01433	36		31-51-42		SM00007		W	N2	2		VW701-VW705 VW771-VW850
212R	24	PW	D01433	2		31-51-42		SM00006		W	N2			
212Z			D01433	DED		31-51-42		SM00006	REF		N2			
213	20	UA	D04507J			34-16-11		GDX0004	S..	2	N2	2		VR201-VR201 VR251-VR251 VW706-VW770 VW851-VW999
213	20	UA	D04507J			34-16-11		GDX0004	S..	2	N2	4		VW701-VW705 VW771-VW850
213B	24	PW	D00821	35		34-16-11		D04507J	8		N2	2		VR201-VR201 VR251-VR251 VW706-VW770 VW851-VW999
213B	24	PW	D00821	35		34-16-11		D04507J	8		N2	4		VW701-VW705 VW771-VW850
213R	24	PW	D00821	1		34-16-11		D04507J	9		N2			
213Z			D00821	DED		34-16-11		D04507J			N2			VW701-VW705 VW771-VW850
214	20	UA	D04349J			34-16-11		GDX0004	S..	2	N2	2		VR201-VR201 VR251-VR251 VW706-VW770 VW851-VW999

286T0045-701
Wire Bundle Assembly
Figure 130 (Sheet 21)

25-71-02



BOEING
COMPONENT
MAINTENANCE MANUAL

WIRE NUMBER	GA	TYP	FROM EQUIPMENT		TO EQUIPMENT		EMC/SEP	FT	NOTE	WIRE INFO EFFECTIVITY
			NUMBER	TERM TT	NUMBER	TERM TT				
21A	20	UA	D04349J		GDX0004	S..	N2	4		VW701-VW705 VW771-VW850
214B	24	PW	D00821	37	D04349J	19	N2	2		VR201-VR201 VR251-VR251 VW706-VW770 VW851-VW999
214B	24	PW	D00821	37	D04349J	19	N2	4		VW701-VW705 VW771-VW850
214R	24	PW	D00821	3	D04349J	18	N2			
214Z			D00821	DED	D04349J		N2			
215B	24	PL	D01487	24	D04597J	12	N2	2		VR201-VR201 VR251-VR251 VW706-VW770 VW851-VW999
215B	24	PL	D01487	24	D04597J	12	N2	4		VW701-VW705 VW771-VW850
215R	24	PL	D01487	23	D04597J	13	N2			
216B	24	PL	D00817	24	D04303J	12	N2	2		VR201-VR201 VR251-VR251 VW706-VW770 VW851-VW999
216B	24	PL	D00817	24	D04303J	12	N2	4		VW701-VW705 VW771-VW850
216R	24	PL	D00817	23	D04303J	11	N2			
221B	24	PW	D01489	45	SM00004		N2	1	W	VR201-VR201 VR251-VR251 VW706-VW770 VW851-VW999
221B	24	PW	D01489	45	SM00004		N2	4	W	VW701-VW705 VW771-VW850
221R	24	PW	D01489	11	SM00003		N2		W	
221Z			D01489	DED	SM00003	REF	N2		W	VR201-VR201 VR251-VR251 VW706-VW770 VW851-VW999
223B	24	PW	D00821	38	SM00004		N2	1		
223B	24	PW	D00821	38	SM00004		N2	3	W	VW701-VW705 VW771-VW850
223R	24	PW	D00821	4	SM00003		N2		W	
223Z			D00821	DED	SM00003	REF	N2		W	VR201-VR201 VR251-VR251 VW706-VW770 VW851-VW999
224	20	UA	D04349J		GDX0004	S..	N2	2		VR201-VR201 VR251-VR251 VW706-VW770 VW851-VW999
224	20	UA	D04349J		GDX0004	S..	N2	4		VW701-VW705 VW771-VW850
224B	24	PW	D04349J	28	D01381	18	N2	2		VR201-VR201 VR251-VR251 VW706-VW770 VW851-VW999
224B	24	PW	D04349J	28	D01381	18	N2	3		VW701-VW705 VW771-VW850
224R	24	PW	D04349J	27	D01381	16	N2			
224Z			D04349J	DED	D01381	DED	N2			

286T0045-701
Wire Bundle Assembly
Figure 130 (Sheet 22)

25-71-02

WIRE		FROM EQUIPMENT			TO EQUIPMENT			WIRE INFO				
NUMBER	GA	TYP	NUMBER	TERM	TT	WD REF	NUMBER	TERM	TT	EMC/ FT	NOTE	EFFECTIVITY
									SEP			
225B	22	PR	D00811	69		31-51-11	SM00060		W	N2		VR201-VR201 VW706-VW770 VW851-VW999
225B	22	PR	D00811	69		31-51-11	SM00060		W	N2		VR251-VR251
225B	22	PR	D00811	69		31-51-11	SM00060		W	N2		VW701-VW705 VW771-VW850
225R	22	PR	D00811	68		31-51-11	SM00060		W	N2		
225Z			D00811	DED		31-51-11	SM00028	REF		N2		
226B	22	PR	D00813	69		31-51-12	SM00061		W	N2		VR201-VR201 VW706-VW770 VW851-VW999
226B	22	PR	D00813	69		31-51-12	SM00061		W	N2		VR251-VR251
226B	22	PR	D00813	69		31-51-12	SM00061		W	N2		VW701-VW705 VW771-VW850
226R	22	PR	D00813	68		31-51-12	SM00061		W	N2		
226Z			D00813	DED		31-51-12	SM00030	REF		N2		
230	20	UA	D04347J			31-51-33	GDX0003	S..	2	N2		VR201-VR201 VR251-VR251 VW706-VW770
										N2		VW851-VW999
230	20	UA	D04347J			31-51-33	GDX0003	S..	2	N2		VW701-VW705 VW771-VW850
230B	24	PW	D04347J	18		31-51-33	SM00004		W	N2		VR201-VR201 VR251-VR251 VW706-VW770
230B	24	PW	D04347J	18		31-51-33	SM00004		W	N2		VW851-VW999
230R	24	PW	D04347J	17		31-51-33	SM00003		W	N2		VW701-VW705 VW771-VW850
230Z			D04347J			31-51-33	SM00003	REF		N2		
236	20	UA	D04347J			27-32-11	GDX0001	S..	2	N2		VR201-VR201 VR251-VR251 VW706-VW770
										N2		VW851-VW999
236	20	UA	D04347J			27-32-11	GDX0001	S..	2	N2		VW701-VW705 VW771-VW850
236B	24	PW	D04347J	37		27-32-11	D00823	54		N2		VR201-VR201 VR251-VR251 VW706-VW770
236B	24	PW	D04347J	37		27-32-11	D00823	54		N2		VW851-VW999
236R	24	PW	D04347J	36		27-32-11	D00823	23		N2		VW701-VW705 VW771-VW850
236Z			D04347J			27-32-11	D00823	DED		N2		VR201-VR201 VR251-VR251 VW706-VW770
237B	24	PW	D04347J	40		27-32-11	D00823	13		N2		VW851-VW999
237B	24	PW	D04347J	40		27-32-11	D00823	13		N2		VR201-VR201 VR251-VR251 VW706-VW770
237R	24	PW	D04347J	39		27-32-11	D00823	12		N2		VW851-VW999
237Z			D04347J			27-32-11	D00823	DED		N2		VW701-VW705 VW771-VW850

286T0045-701
Wire Bundle Assembly
Figure 130 (Sheet 23)

25-71-02



COMPONENT
MAINTENANCE MANUAL

WIRE NUMBER	GA	TYP	FROM EQUIPMENT		TO EQUIPMENT		EMC/ SEP	FT	NOTE	WIRE INFO EFFECTIVITY
			NUMBER	TERM	NUMBER	TERM				
238	20	UA	D04349J		27-32-21	GDX0001	N2	2		VR201-VR201 VR251-VR251 VW706-VW770 VW851-VW999
238	20	UA	D04349J		27-32-21	GDX0001	N2	2		VW701-VW705 VW771-VW850
238B	24	PW	D04349J	49	27-32-21	D01381	N2	2		VR201-VR201 VR251-VR251 VW706-VW770 VW851-VW999
238B	24	PW	D04349J	49	27-32-21	D01381	N2	3		VW701-VW705 VW771-VW850
238R	24	PW	D04349J	48	27-32-21	D01381	N2	23		
238Z	24	PW	D04349J		27-32-21	D01381	N2	DED		
239B	24	PW	D01381	20	27-32-21	D04349J	N2	2		VR201-VR201 VR251-VR251 VW706-VW770 VW851-VW999
239B	24	PW	D01381	20	27-32-21	D04349J	N2	3		VW701-VW705 VW771-VW850
239R	24	PW	D01381	19	27-32-21	D04349J	N2	54		
239Z	24	PL	D04347J	23	31-51-31	SM00080	N2	1		VR201-VR201 VR251-VR251 VW706-VW770 VW851-VW999
240B	24	PL	D04347J	23	31-51-31	SM00080	N2	3		VW701-VW705 VW771-VW850
240B	24	PL	D04347J	23	31-51-31	SM00080	N2	3		
240R	24	PL	D04347J	22	31-51-31	SM00042	N2	1		VR201-VR201 VR251-VR251 VW706-VW770 VW851-VW999
241B	24	PL	D01487	60	31-51-31	SM00080	N2	3		VW701-VW705 VW771-VW850
241B	24	PL	D01487	60	31-51-31	SM00080	N2	1		VR201-VR201 VR251-VR251 VW706-VW770 VW851-VW999
241R	24	PL	D01487	28	31-51-31	SM00042	N2	3		VW701-VW705 VW771-VW850
242B	24	PL	D00817	60	31-51-32	SM00080	N2	1		VR201-VR201 VR251-VR251 VW706-VW770 VW851-VW999
242B	24	PL	D00817	60	31-51-32	SM00080	N2	3		VW701-VW705 VW771-VW850
242R	24	PL	D00817	28	31-51-32	SM00042	N2	3		
243B	24	PW	D04349J	52	27-32-21	D01381	N2	2		VR201-VR201 VR251-VR251 VW706-VW770 VW851-VW999
243B	24	PW	D04349J	52	27-32-21	D01381	N2	3		VW701-VW705 VW771-VW850
243R	24	PW	D04349J	51	27-32-21	D01381	N2	12		
243Z	24	PW	D04349J		27-32-21	D01381	N2	DED		
245B	24	PW	D00823	20	27-32-11	D04347J	N2	2		VR201-VR201 VR251-VR251 VW706-VW770 VW851-VW999

286T0045-701
Wire Bundle Assembly
Figure 130 (Sheet 24)

25-71-02

TESTING & TROUBLE SHOOTING
01

Page 176K
Nov 01/02

WIRE		FROM EQUIPMENT			TO EQUIPMENT			WIRE INFO					
NUMBER	GA	TYP	NUMBER	TERM	TT	WD REF	NUMBER	TERM	TT	EMC/SEP	FT	NOTE	EFFECTIVITY
245B	24	PW	D00823	20		27-32-11	D04347J	48		N2	3		VW701-VW705 VW771-VW850
245R	24	PW	D00823	19		27-32-11	D04347J	47		N2			
245Z			D00823	DED		27-32-11	D04347J			N2			
247	20	UA	D04349J			31-41-35	GDX0006	S..	2	N2	2		VR201-VR201 VR251-VR251 VW706-VW770 VW851-VW999
247	20	UA	D04349J			31-41-35	GDX0006	S..	2	N2	4		VW701-VW705 VW771-VW850
247B	24	PW	D02261	42		31-41-35	D04349J	57		N2	2		VR201-VR201 VR251-VR251 VW706-VW770 VW851-VW999
247B	24	PW	D02261	42		31-41-35	D04349J	56		N2	4		VW701-VW705 VW771-VW850
247R	24	PW	D02261	43		31-41-35	D04349J	56		N2	2		VR201-VR201 VR251-VR251 VW706-VW770 VW851-VW999
247Z			D02261	DED		31-41-35	D04349J			N2			
248	20	UA	D04349J			28-41-11	GDX0006	S..	2	N2	2		VR201-VR201 VR251-VR251 VW706-VW770 VW851-VW999
248	20	UA	D04349J			28-41-11	GDX0006	S..	2	N2	4		VW701-VW705 VW771-VW850
248B	24	PW	D02261	5		28-41-11	D04349J	60		N2	2		VR201-VR201 VR251-VR251 VW706-VW770 VW851-VW999
248B	24	PW	D02261	5		28-41-11	D04349J	60		N2	4		VW701-VW705 VW771-VW850
248R	24	PW	D02261	8		28-41-11	D04349J	59		N2			
248Z			D02261	DED		28-41-11	D04349J			N2			
271B	24	PL	D04597J	5		31-51-31	SM00088		W	N2	1		VR201-VR201 VR251-VR251 VW706-VW770 VW851-VW999
271B	24	PL	D04597J	5		31-51-31	SM00088		W	N2	4		VW701-VW705 VW771-VW850
271R	24	PL	D04597J	2		31-51-31	SM00087		W	N2			
272B	24	PL	D01487	63		31-51-31	SM00088		W	N2	1		VR201-VR201 VR251-VR251 VW706-VW770 VW851-VW999
272B	24	PL	D01487	63		31-51-31	SM00088		W	N2	4		VW701-VW705 VW771-VW850
272R	24	PL	D01487	62		31-51-31	SM00087		W	N2			
273B	24	PL	D00817	63		31-51-32	SM00088		W	N2	1		VR201-VR201 VR251-VR251 VW706-VW770 VW851-VW999
273B	24	PL	D00817	63		31-51-32	SM00088		W	N2	4		VW701-VW705 VW771-VW850
273R	24	PL	D00817	62		31-51-32	SM00087		W	N2			

286T0045-701
Wire Bundle Assembly
Figure 130 (Sheet 25)

25-71-02



BOEING
COMPONENT
MAINTENANCE MANUAL

WIRE NUMBER	GA	TYP	FROM EQUIPMENT		TO EQUIPMENT		WIRE INFO					
			NUMBER	TERM	TT	WD REF	NUMBER	TERM	TT	EMC/SEP	FT	NOTE
301	20	UA	SM00028	REF	31-51-11	GDX0005	S..	2	N2	1		VR201-VR201 VR251-VR251 VW706-VW770 VW851-VW999
301	20	UA	SM00028	REF	31-51-11	GDX0005	S..	2	N2	3		VW701-VW705 VW771-VW850
301B	22	PS	D00811	57	31-51-11	SM00028		W	N2	2		VR201-VR201 VW706-VW770 VW851-VW999
301B	22	PS	D00811	57	31-51-11	SM00028		W	N2	2		VR251-VR251
301B	22	PS	D00811	57	31-51-11	SM00028		W	N2	3		VW701-VW705 VW771-VW850
301R	22	PS	D00811	38	31-51-11	SM00028		W	N2			
301Y	22	PS	D00811	58	31-51-11	SM00028		W	N2			
301Z			D00811	DED	31-51-11	SM00028	REF		N2			
302B	22	PS	D00811	42	31-51-11	SM00029		W	N2	2		VR201-VR201 VW706-VW770 VW851-VW999
302B	22	PS	D00811	42	31-51-11	SM00029		W	N2	2		VR251-VR251
302B	22	PS	D00811	42	31-51-11	SM00029		W	N2	3		VW701-VW705 VW771-VW850
302R	22	PS	D00811	41	31-51-11	SM00029		W	N2			
302Y	22	PS	D00811	43	31-51-11	SM00029		W	N2			
302Z			D00811	DED	31-51-11	SM00028	REF		N2			
303B	22	PS	D00811	8	31-51-11	SM00026		W	N2	2		VR201-VR201 VW706-VW770 VW851-VW999
303B	22	PS	D00811	8	31-51-11	SM00026		W	N2	2		VR251-VR251
303B	22	PS	D00811	8	31-51-11	SM00026		W	N2	3		VW701-VW705 VW771-VW850
303R	22	PS	D00811	7	31-51-11	SM00026		W	N2			
303Y	22	PS	D00811	9	31-51-11	SM00026		W	N2			
303Z			D00811	DED	31-51-11	SM00028	REF		N2			
304B	22	PS	D00811	25	31-51-11	SM00027		W	N2	2		VR201-VR201 VW706-VW770 VW851-VW999
304B	22	PS	D00811	25	31-51-11	SM00027		W	N2	2		VR251-VR251
304B	22	PS	D00811	25	31-51-11	SM00027		W	N2	3		VW701-VW705 VW771-VW850
304R	22	PS	D00811	24	31-51-11	SM00027		W	N2			
304Y	22	PS	D00811	37	31-51-11	SM00027		W	N2			
304Z			D00811	DED	31-51-11	SM00028	REF		N2			
305	20	UA	SM00030	REF	31-51-12	GDX0005	S..	2	N2	1		VR201-VR201 VR251-VR251 VW706-VW770 VW851-VW999
305	20	UA	SM00030	REF	31-51-12	GDX0005	S..	2	N2	2		VW701-VW705 VW771-VW850
305B	22	PS	D00813	8	31-51-12	SM00030		W	N2	2		VR201-VR201 VW706-VW770 VW851-VW999
305B	22	PS	D00813	8	31-51-12	SM00030		W	N2	2		VR251-VR251

286T0045-701
Wire Bundle Assembly
Figure 130 (Sheet 26)

25-71-02

WIRE		FROM EQUIPMENT			TO EQUIPMENT			WIRE INFO					
NUMBER	GA	TYP	NUMBER	TERM	TT	WD	REF	NUMBER	TERM	TT	EMC/ FT	NOTE	EFFECTIVITY
305B	22	PS	D00813	8		31-51-12	SM00030			W	N2	4	VW701-VW705 VW771-VW850
305R	22	PS	D00813	7		31-51-12	SM00030			W	N2		
305Y	22	PS	D00813	9		31-51-12	SM00030			W	N2		
305Z			D00813	DED		31-51-12	SM00030		REF		N2		
306B	22	PS	D00813	25		31-51-12	SM00031			W	N2	2	VR201-VR201 VW706-VW770 VW851-VW999
306B	22	PS	D00813	25		31-51-12	SM00031			W	N2	2	VR251-VR251
306B	22	PS	D00813	25		31-51-12	SM00031			W	N2	4	VW701-VW705 VW771-VW850
306R	22	PS	D00813	24		31-51-12	SM00031			W	N2		
306Y	22	PS	D00813	37		31-51-12	SM00031			W	N2		
306Z			D00813	DED		31-51-12	SM00030		REF		N2		
307B	22	PS	D00813	57		31-51-12	SM00032			W	N2	2	VR201-VR201 VW706-VW770 VW851-VW999
307B	22	PS	D00813	57		31-51-12	SM00032			W	N2	2	VR251-VR251
307B	22	PS	D00813	57		31-51-12	SM00032			W	N2	4	VW701-VW705 VW771-VW850
307R	22	PS	D00813	38		31-51-12	SM00032			W	N2		
307Z			D00813	DED		31-51-12	SM00030		REF		N2		
308B	22	PS	D00813	42		31-51-12	SM00033			W	N2	2	VR201-VR201 VW706-VW770 VW851-VW999
308B	22	PS	D00813	42		31-51-12	SM00033			W	N2	2	VR251-VR251
308B	22	PS	D00813	42		31-51-12	SM00033			W	N2	4	VW701-VW705 VW771-VW850
308R	22	PS	D00813	41		31-51-12	SM00033			W	N2		
308Y	22	PS	D00813	43		31-51-12	SM00033			W	N2		
308Z			D00813	DED		31-51-12	SM00030		REF		N2		
512	24	PK	D02261	20		27-81-31	D04349J		8		N2	2	VR201-VR201 VR251-VR251 VW706-VW770 VW851-VW999
512	24	PK	D02261	20		27-81-31	D04349J		8		N2	3	VW701-VW705 VW771-VW850
516	24	PK	D04347J	50		26-16-31	D02261		6		N2	2	VR201-VR201 VR251-VR251 VW706-VW770 VW851-VW999
516	24	PK	D04347J	50		26-16-31	D02261		6		N2	4	VW701-VW705 VW771-VW850
517	24	PK	D04349J	26		26-16-31	D02261		39		N2	2	VR201-VR201 VR251-VR251 VW706-VW770 VW851-VW999
517	24	PK	D04349J	26		26-16-31	D02261		39		N2	4	VW701-VW705 VW771-VW850
518	24	PK	D01489	49		31-51-33	D04347J		27		N2	2	VW851-VW999
519	24	PK	D00815	36		31-51-21	D04347J		29		N2	2	VR251-VR251 VW851-VW999
520	24	PK	D01489	3		31-51-33	D04347J		31		N2	2	VR251-VR251 VW851-VW999

 286T0045-701
 Wire Bundle Assembly
 Figure 130 (Sheet 27)

25-71-02



BOEING
COMPONENT
MAINTENANCE MANUAL

WIRE NUMBER	GA	TYP	FROM EQUIPMENT		TO EQUIPMENT		WD REF	EMC/SEP	FT	NOTE	WIRE INFO EFFECTIVITY
			NUMBER	TERM	TT	NUMBER					
601	20	PA	SM00060				31-51-11	N2			VR201-VR201 VR251-VR251 VW706-VW770
602	20	PA	SM00061				31-51-12	N2			VW851-VW999
603	24	PV	D04301J	5	W		31-51-12	N2	1		VW701-VW705 VW771-VW850
603	24	PV	D04301J	5			31-51-12	N2	3		VR201-VR201 VW706-VW770 VW851-VW999
603Z			D04301J	DED			31-51-12	N2	3		VR251-VR251
604	24	PV	D04301J	4			31-51-12	N2	3		VW701-VW705 VW771-VW850
604	24	PV	D04301J	4			31-51-12	N2	3		VR201-VR201 VR251-VR251 VW706-VW770
604	24	PV	D04301J	4			31-51-12	N2	5		VR251-VR251
604Z			D04301J	DED			31-51-12	N2	5		VW701-VW705 VW771-VW850
605	24	PV	D00813	1			31-51-12	N2	3		VR201-VR201 VR251-VR251 VW706-VW770
605	24	PV	D00813	1			31-51-12	N2	3		VW851-VW999
605	24	PV	D00813	1			31-51-12	N2	4		VR251-VR251
605Z			D00813	DED			31-51-12	N2	4		VW701-VW705 VW771-VW850
606	24	PV	D04349J	32			31-51-11	N2	1		VR201-VR201 VR251-VR251 VW706-VW770
606	24	PV	D04349J	32			31-51-11	N2	1		VW851-VW999
606Z			D04349J	DED			31-51-11	N2	3		VW701-VW705 VW771-VW850
607	24	PV	D04349J	33			31-51-11	N2	3		VR201-VR201 VW706-VW770 VW851-VW999
607	24	PV	D04349J	33			31-51-11	N2	3		VR251-VR251
607	24	PV	D04349J	33			31-51-11	N2	5		VW701-VW705 VW771-VW850
607Z			D04349J	DED			31-51-11	N2	5		VR201-VR201 VR251-VR251 VW706-VW770
608	24	PV	D00811	1			31-51-11	N2	3		VW851-VW999
608	24	PV	D00811	1			31-51-11	N2	3		VR251-VR251
608	24	PV	D00811	1			31-51-11	N2	5		VW701-VW705 VW771-VW850
608Z			D00811	DED			31-51-11	N2	5		VR201-VR201 VR251-VR251 VW706-VW770
610	24	PK	D00823	37			27-32-11	N2	1		VW851-VW999
610	24	PK	D00823	37			27-32-11	N2	3		VW701-VW705 VW771-VW850
611	24	PK	D01433	6			31-51-42	N2	2		VR201-VR201 VR251-VR251 VW706-VW770
611	24	PK	D01433	6			31-51-42	N2	3		VW851-VW999

286T0045-701
Wire Bundle Assembly
Figure 130 (Sheet 28)

25-71-02

WIRE		FROM EQUIPMENT			TO EQUIPMENT			WIRE INFO					
NUMBER	GA	TYP	NUMBER	TERM	TT	WD REF	NUMBER	TERM	TT	EMC / SEP	FT	NOTE	EFFECTIVITY
612	24	PK	D01433	4		31-51-42	SM00050		W	N2	1		VR201-VR201 VR251-VR251 VW706-VW770 VW851-VW999
612	24	PK	D01433	4		31-51-42	SM00050		W	N2	3		VW701-VW705 VW771-VW850
613	24	PK	D04349J	30		31-51-31	SM00065		W	N2	1		VR201-VR201 VR251-VR251 VW706-VW770 VW851-VW999
613	24	PK	D04349J	30		31-51-31	SM00065		W	N2	3		VW701-VW705 VW771-VW850
614	24	PK	D01487	52		31-51-31	SM00065		W	N2	1		VR201-VR201 VR251-VR251 VW706-VW770 VW851-VW999
614	24	PK	D01487	52		31-51-31	SM00065		W	N2	3		VW701-VW705 VW771-VW850
615	24	PK	D00817	52		31-51-32	SM00065		W	N2	1		VR201-VR201 VR251-VR251 VW706-VW770 VW851-VW999
615	24	PK	D00817	52		31-51-32	SM00065		W	N2	3		VW701-VW705 VW771-VW850
617	24	PK	D01381	11		27-32-12	D00823	56		N2	1		VR201-VR201 VR251-VR251 VW706-VW770 VW851-VW999
617	24	PK	D01381	11		27-32-12	D00823	56		N2	2		VW701-VW705 VW771-VW850
618	24	PK	D01381	56		27-32-12	D00823	11		N2	1		VR201-VR201 VR251-VR251 VW706-VW770 VW851-VW999
619	24	PK	D00823	45		27-32-12	SM00082	11		N2	2		VW701-VW705 VW771-VW850
619	24	PK	D00823	45		27-32-12	SM00082	11		N2	1		VR201-VR201 VR251-VR251 VW706-VW770 VW851-VW999
620	24	PK	D04349J	29		31-51-21	SM00071		W	N2	2		VW701-VW705 VW771-VW850
620	24	PK	D04349J	29		31-51-21	SM00071		W	N2	3		VR201-VR201 VR251-VR251 VW706-VW770 VW851-VW999
621	24	PK	D00815	7		31-51-21	SM00071		W	N2	1		VW701-VW705 VW771-VW850
621	24	PK	D00815	7		31-51-21	SM00071		W	N2	3		VR201-VR201 VR251-VR251 VW706-VW770 VW851-VW999
622	24	PK	D01489	2		31-51-33	SM00071		W	N2	1		VW701-VW705 VW771-VW850
622	24	PK	D01489	2		31-51-33	SM00071		W	N2	3		VR201-VR201 VR251-VR251 VW706-VW770 VW851-VW999
623	24	PK	D01489	36		31-51-33	SM00038		W	N2	1		VW701-VW705 VW771-VW850
623	24	PK	D01489	36		31-51-33	SM00038		W	N2	3		VR201-VR201 VR251-VR251 VW706-VW770 VW851-VW999

286T0045-701
Wire Bundle Assembly
Figure 130 (Sheet 29)

25-71-02



COMPONENT
MAINTENANCE MANUAL

WIRE		FROM EQUIPMENT		TO EQUIPMENT		WIRE INFO							
NUMBER	GA	TYP	NUMBER	TERM	TT	WD REF	NUMBER	TERM	TT	EMC/ SEP	FT	NOTE	EFFECTIVITY
623	24	PK	D01489	36		31-51-33	SM00038		W	N2	3		VW701-VW705 VW771-VW850
624	24	PK	D00815	8		31-51-21	SM00045		W	N2	1		VR201-VR201 VR251-VR251 VW706-VW770 VW851-VW999
624	24	PK	D00815	8		31-51-21	SM00045		W	N2	3		VW701-VW705 VW771-VW850
625	24	PK	D01487	9		31-51-31	SM00034		W	N2	1		VR201-VR201 VR251-VR251 VW706-VW770 VW851-VW999
625	24	PK	D01487	9		31-51-31	SM00034		W	N2	3		VW701-VW705 VW771-VW850
628	22	PA	D01487	20		31-51-31	GDX0006	D..	2	N2	2		VR201-VR201 VR251-VR251 VW706-VW770 VW851-VW999
628	22	PA	D01487	20		31-51-31	GDX0006	D..	2	N2	4		VW701-VW705 VW771-VW850
629	22	PA	D01487	53		31-51-31	GDX0006	D..	2	N2	2		VR201-VR201 VR251-VR251 VW706-VW770 VW851-VW999
629	22	PA	D01487	53		31-51-31	GDX0006	D..	2	N2	4		VW701-VW705 VW771-VW850
630	22	PA	D01487	21		31-51-31	GDX0006	D..	2	N2	2		VR201-VR201 VR251-VR251 VW706-VW770 VW851-VW999
630	22	PA	D01487	21		31-51-31	GDX0006	D..	2	N2	4		VW701-VW705 VW771-VW850
631	24	PK	D00817	9		31-51-32	SM00034		W	N2	1		VR201-VR201 VR251-VR251 VW706-VW770 VW851-VW999
631	24	PK	D00817	9		31-51-32	SM00034		W	N2	3		VW701-VW705 VW771-VW850
634	22	PA	D00817	20		31-51-32	GDX0006	D..	2	N2	2		VR201-VR201 VR251-VR251 VW706-VW770 VW851-VW999
634	22	PA	D00817	20		31-51-32	GDX0006	D..	2	N2	4		VW701-VW705 VW771-VW850
635	22	PA	D00817	53		31-51-32	GDX0006	D..	2	N2	2		VR201-VR201 VR251-VR251 VW706-VW770 VW851-VW999
635	22	PA	D00817	53		31-51-32	GDX0006	D..	2	N2	4		VW701-VW705 VW771-VW850
636	22	PA	D00817	21		31-51-32	GDX0006	D..	2	N2	2		VR201-VR201 VR251-VR251 VW706-VW770 VW851-VW999
636	22	PA	D00817	21		31-51-32	GDX0006	D..	2	N2	4		VW701-VW705 VW771-VW850
644	22	PQ	D00823	66		27-32-31	D04347J	42	2	N2	2		VR201-VR201 VR251-VR251 VW706-VW770 VW851-VW999
644	22	PQ	D00823	66		27-32-31	D04347J	42	2	N2	3		VW701-VW705 VW771-VW850
644Z			D00823	DED		27-32-31	D04347J	DED		N2			

286T0045-701
Wire Bundle Assembly
Figure 130 (Sheet 30)

25-71-02

WIRE		FROM EQUIPMENT			TO EQUIPMENT			WIRE INFO					
NUMBER	GA	TYP	NUMBER	TERM	TT	WD REF	NUMBER	TERM	TT	EMC / SEP	FT	NOTE	EFFECTIVITY
646	22	PQ	D01381	66		27-32-31	D04349J	42		N2	2		VR201-VR201 VR251-VR251 VW706-VW770 VW851-VW999
646	22	PQ	D01381	66		27-32-31	D04349J	42		N2	3		VW701-VW705 VW771-VW850
646Z			D01381	DED		27-32-31	D04349J	DED		N2			
648	24	PK	D04347J	32		34-16-11	D00821	40		N2	2		VR201-VR201 VR251-VR251 VW701-VW770
649	24	PK	D04347J	33		34-16-11	SM00038		W	N2	1		VR201-VR201 VR251-VR251 VW706-VW770
681	24	PK	D01433	10		31-51-43	D04507J	10		N2	2		VR201-VR201 VR251-VR251 VW706-VW770 VW851-VW999
681	24	PK	D01433	10		31-51-43	D04507J	10		N2	3		VW701-VW705 VW771-VW850
682	24	PK	D01433	13		31-51-43	D04347J	46		N2	2		VR201-VR201 VR251-VR251 VW706-VW770 VW851-VW999
682	24	PK	D01433	13		31-51-43	D04347J	46		N2	3		VW701-VW705 VW771-VW850
683	22	PA	D01433	41		31-51-43	SM00081		W	N2	1		VR201-VR201 VR251-VR251 VW706-VW770 VW851-VW999
683	22	PA	D01433	41		31-51-43	SM00081		W	N2	2		VW701-VW705 VW771-VW850
684	20	PA	GDX0001	D..	2	31-51-43	D04349J	47		N2	2		VR201-VR201 VR251-VR251 VW706-VW770 VW851-VW999
684	20	PA	GDX0001	D..	2	31-51-43	D04349J	47		N2	3		VW701-VW705 VW771-VW850
685	24	PK	D00823	58		27-32-12	D01505	A1		N2	2		VR201-VR201 VR251-VR251 VW706-VW770 VW851-VW999
685	24	PK	D00823	58		27-32-12	D01505	A1		N2	3		VW701-VW705 VW771-VW850
686	24	PK	D00823	8		27-32-11	SM00038		W	N2	1		VR201-VR201 VR251-VR251 VW706-VW770 VW851-VW999
686	24	PK	D00823	8		27-32-11	SM00038		W	N2	2		VW701-VW705 VW771-VW850
687	24	PK	D00823	64		27-32-11	SM00081		W	N2	1		VR201-VR201 VR251-VR251 VW706-VW770 VW851-VW999
687	24	PK	D00823	64		27-32-11	SM00081		W	N2	2		VW701-VW705 VW771-VW850
688	24	PK	D01381	58		27-32-22	D01503	A1		N2	2		VR201-VR201 VR251-VR251 VW706-VW770 VW851-VW999
688	24	PK	D01381	58		27-32-22	D01503	A1		N2	3		VW701-VW705 VW771-VW850
689	24	PK	D01381	45		27-32-22	SM00085		W	N2	1		VR201-VR201 VR251-VR251 VW706-VW770 VW851-VW999

286T0045-701
Wire Bundle Assembly
Figure 130 (Sheet 31)

25-71-02



BOEING
COMPONENT
MAINTENANCE MANUAL

WIRE NUMBER	WIRE INFO		FROM EQUIPMENT				TO EQUIPMENT				EFFECTIVITY		
	GA	TYP	NUMBER	TERM	TT	WD REF	NUMBER	TERM	TT	TT	EMC/SEP	FT	NOTE
689	24	PK	D01381	45		27-32-22	SM00085		W	N2	2		VW701-VW705 VW771-VW850
692	24	PK	D01381	8		27-32-21	SM00038		W	N2	1		VR201-VR201 VR251-VR251 VW706-VW770 VW851-VW999
692	24	PK	D01381	8		27-32-21	SM00038		W	N2	2		VW701-VW705 VW771-VW850
693	24	PK	D04347J	30		31-51-21	D00815	6		N2	2		VR201-VR201 VR251-VR251 VW706-VW770 VW851-VW999
693	24	PK	D04347J	30		31-51-21	D00815	6		N2	4		VW701-VW705 VW771-VW850
694	22	PA	D04349J	46		31-51-43	SM00081		W	N2	1		VR201-VR201 VR251-VR251 VW706-VW770 VW851-VW999
694	22	PA	D04349J	46		31-51-43	SM00081		W	N2	3		VW701-VW705 VW771-VW850
696	20	PA	GDX0003	D..	2	27-32-12	SM00082		W	N2	1		VR201-VR201 VR251-VR251 VW706-VW770 VW851-VW999
696	20	PA	GDX0003	D..	2	27-32-12	SM00082		W	N2	2		VW701-VW705 VW771-VW850
697	20	PA	GDX0003	D..	2	27-32-22	SM00085		W	N2	1		VR201-VR201 VR251-VR251 VW706-VW770 VW851-VW999
697	20	PA	GDX0003	D..	2	27-32-22	SM00085		W	N2	2		VW701-VW705 VW771-VW850
701	24	PK	D00815	49		31-51-21	D00815	22		N2			VR201-VR201 VR251-VR251 VW706-VW770 VW851-VW999
701	24	PK	D00815	49		31-51-21	D00815	22		N2	1		VW701-VW705 VW771-VW850
702	24	PK	D00815	16		31-51-21	D00815	48		N2			VR201-VR201 VR251-VR251 VW706-VW770 VW851-VW999
702	24	PK	D00815	16		31-51-21	D00815	48		N2	1		VW701-VW705 VW771-VW850
703	24	PK	D00819	6		31-51-41	SM00019		W	N2	1		VR201-VR201 VR251-VR251 VW706-VW770 VW851-VW999
703	24	PK	D00819	6		31-51-41	SM00019		W	N2	1		VW701-VW705 VW771-VW850
704	24	PK	D00819	6		31-51-41	SM00019		W	N2	3		VR201-VR201 VR251-VR251 VW706-VW770 VW851-VW999
704	24	PK	SM00075		W	31-51-41	D04511J	14		N2	1		VW701-VW705 VW771-VW850
704	24	PK	SM00075		W	31-51-41	D04511J	14		N2	4		VR201-VR201 VR251-VR251 VW706-VW770 VW851-VW999
705	24	PK	D00819	45		31-51-41	D04511J	12		N2	2		VR201-VR201 VR251-VR251 VW706-VW770 VW851-VW999
705	24	PK	D00819	45		31-51-41	D04511J	12		N2	4		VW701-VW705 VW771-VW850

286T0045-701
Wire Bundle Assembly
Figure 130 (Sheet 32)

25-71-02

TESTING & TROUBLE SHOOTING
01 Page 176S
Nov 01/02

WIRE		FROM EQUIPMENT			TO EQUIPMENT			WIRE INFO					
NUMBER	GA	TYP	NUMBER	TERM	TT	WD REF	NUMBER	TERM	TT	EMC / SEP	FT	NOTE	EFFECTIVITY
706	24	PK	D00819	10		31-51-41	D04349J	31		N2	2		VR201-VR201 VR251-VR251 VW706-VW770 VW851-VW999
706	24	PK	D00819	10		31-51-41	D04349J	31		N2	4		VW701-VW705 VW771-VW850
707	24	PK	D00819	21		31-51-41	D04509J	4		N2	2		VR201-VR201 VR251-VR251 VW706-VW770 VW851-VW999
707	24	PK	D00819	21		31-51-41	D04509J	4		N2	4		VW701-VW705 VW771-VW850
708	24	PK	D00819	9		31-51-41	D04349J	7		N2	2		VR201-VR201 VR251-VR251 VW706-VW770 VW851-VW999
708	24	PK	D00819	9		31-51-41	D04349J	7		N2	4		VW701-VW705 VW771-VW850
709	24	PK	D00819	39		31-51-41	SM00044		W	N2	1		VR201-VR201 VR251-VR251 VW706-VW770 VW851-VW999
709	24	PK	D00819	39		31-51-41	SM00044		W	N2	3		VW701-VW705 VW771-VW850
710	24	PK	D00819	43		31-51-41	SM00037		W	N2	1		VR201-VR201 VR251-VR251 VW706-VW770 VW851-VW999
710	24	PK	D00819	43		31-51-41	SM00037		W	N2	3		VW701-VW705 VW771-VW850
711	24	PK	D00819	12		31-51-41	D04349J	21		N2	2		VR201-VR201 VR251-VR251 VW706-VW770 VW851-VW999
711	24	PK	D00819	12		31-51-41	D04349J	21		N2	4		VW701-VW705 VW771-VW850
712	24	PK	D00819	53		31-51-41	D04349J	3		N2	2		VR201-VR201 VR251-VR251 VW706-VW770 VW851-VW999
712	24	PK	D00819	53		31-51-41	D04349J	3		N2	4		VW701-VW705 VW771-VW850
713	24	PK	D00819	20		31-51-41	D04347J	9		N2	2		VR201-VR201 VR251-VR251 VW706-VW770 VW851-VW999
713	24	PK	D00819	20		31-51-41	D04347J	9		N2	4		VW701-VW705 VW771-VW850
714	24	PK	D00819	44		31-51-41	D04349J	24		N2	2		VR201-VR201 VR251-VR251 VW706-VW770 VW851-VW999
714	24	PK	D00819	44		31-51-41	D04347J	9		N2	4		VW701-VW705 VW771-VW850
714	24	PK	D00819	44		31-51-41	D04349J	24		N2	2		VR201-VR201 VR251-VR251 VW706-VW770 VW851-VW999
715	24	PK	D04507J	6		31-51-42	SM00019	24		N2	4		VW701-VW705 VW771-VW850
715	24	PK	D04507J	6		31-51-42	SM00019	24	W	N2	1		VR201-VR201 VR251-VR251 VW706-VW770 VW851-VW999
715	24	PK	D04507J	6		31-51-42	SM00019	24	W	N2	3		VW701-VW705 VW771-VW850
716	24	PK	D01433	34		31-51-42	SM00019	1	W	N2	1		VR201-VR201 VR251-VR251 VW706-VW770 VW851-VW999

286T0045-701
Wire Bundle Assembly
Figure 130 (Sheet 33)

25-71-02



BOEING
COMPONENT
MAINTENANCE MANUAL

WIRE		FROM EQUIPMENT			TO EQUIPMENT			WIRE INFO					
NUMBER	GA	TYP	FROM NUMBER	TERM	TT	WD REF	NUMBER	TERM	TT	EMC/SEP	FT	NOTE	EFFECTIVITY
716	24	PK	D01433	34		31-51-42	SM00019		W	N2	2		VW701-VW705 VW771-VW850
717	24	PK	D01433	37		31-51-42	SM00034		W	N2	1		VR201-VR201 VR251-VR251 VW706-VW770 VW851-VW999
717	24	PK	D01433	37		31-51-42	SM00034		W	N2	2		VW701-VW705 VW771-VW850
718	24	PK	D01433	39		31-51-42	D04509J	2		N2	2		VR201-VR201 VR251-VR251 VW706-VW770 VW851-VW999
718	24	PK	D01433	39		31-51-42	D04509J	2		N2	3		VW701-VW705 VW771-VW850
720	24	PK	D01433	52		31-51-42	SM00040		W	N2	1		VR201-VR201 VR251-VR251 VW706-VW770 VW851-VW999
720	24	PK	D01433	52		31-51-42	SM00040		W	N2	2		VW701-VW705 VW771-VW850
721	24	PK	D01433	38		31-51-42	D04347J	24		N2	2		VR201-VR201 VR251-VR251 VW706-VW770 VW851-VW999
721	24	PK	D01433	38		31-51-42	D04347J	24		N2	4		VW701-VW705 VW771-VW850
722	24	PK	D01433	5		31-51-42	D04349J	22		N2	2		VR201-VR201 VR251-VR251 VW706-VW770 VW851-VW999
722	24	PK	D01433	5		31-51-42	D04349J	22		N2	4		VW701-VW705 VW771-VW850
723	24	PK	D04511J	11		31-51-42	SM00038		W	N2	1		VR201-VR201 VR251-VR251 VW706-VW770 VW851-VW999
723	24	PK	D04511J	11		31-51-42	SM00038		W	N2	3		VW701-VW705 VW771-VW850
724	24	PK	D01433	40		31-51-42	SM00038		W	N2	1		VR201-VR201 VR251-VR251 VW706-VW770 VW851-VW999
724	24	PK	D01433	40		31-51-42	SM00038		W	N2	2		VW701-VW705 VW771-VW850
725	24	PK	D01433	3		31-51-42	D04347J	13		N2	2		VR201-VR201 VR251-VR251 VW706-VW770 VW851-VW999
725	24	PK	D01433	3		31-51-42	D04347J	13		N2	4		VW701-VW705 VW771-VW850
726	22	PA	D04347J	14		31-51-21	SM00036		W	N2	1		VR201-VR201 VR251-VR251 VW706-VW770 VW851-VW999
726	22	PA	D04347J	14		31-51-21	SM00036		W	N2	3		VW701-VW705 VW771-VW850
727	22	PA	D04301J	11		31-51-21	SM00035		W	N2	1		VR201-VR201 VR251-VR251 VW706-VW770 VW851-VW999
727	22	PA	D04301J	11		31-51-21	SM00035		W	N2	3		VW701-VW705 VW771-VW850

286T0045-701
Wire Bundle Assembly
Figure 130 (Sheet 34)

25-71-02

WIRE		FROM EQUIPMENT			TO EQUIPMENT			WIRE INFO					
NUMBER	GA	TYP	NUMBER	TERM	TT	WD REF	NUMBER	TERM	TT	EMC / SEP	FT	NOTE	EFFECTIVITY
728	24	PK	D04347J	1		31-51-41	D00819	35		N2	2		VR201-VR201 VR251-VR251 VW706-VW770 VW851-VW999
728	24	PK	D04347J	1		31-51-41	D00819	35		N2	4		VW701-VW705 VW771-VW850
729	24	PK	D04347J	2		31-51-41	D00819	1		N2	2		VR201-VR201 VR251-VR251 VW706-VW770 VW851-VW999
729	24	PK	D04347J	2		31-51-41	D00819	1		N2	4		VW701-VW705 VW771-VW850
730	24	PK	D04347J	3		31-51-41	D00819	36		N2	2		VR201-VR201 VR251-VR251 VW706-VW770 VW851-VW999
730	24	PK	D04347J	3		31-51-41	D00819	36		N2	4		VW701-VW705 VW771-VW850
731	24	PK	D04347J	4		31-51-41	D00819	2		N2	2		VR201-VR201 VR251-VR251 VW706-VW770 VW851-VW999
731	24	PK	D04347J	4		31-51-41	D00819	2		N2	4		VW701-VW705 VW771-VW850
732	24	PK	D04347J	5		31-51-42	D01433	20		N2	2		VR201-VR201 VR251-VR251 VW706-VW770 VW851-VW999
732	24	PK	D04347J	5		31-51-42	D01433	20		N2	4		VW701-VW705 VW771-VW850
733	24	PK	D04347J	16		34-16-11	D00821	65		N2	2		VR201-VR201 VR251-VR251 VW706-VW770 VW851-VW999
733	24	PK	D04347J	16		34-16-11	D00821	65		N2	5		VW701-VW705 VW771-VW850
734	24	PK	D04347J	8		31-51-31	SM00046			N2	1		VR201-VR201 VR251-VR251 VW706-VW770 VW851-VW999
734	24	PK	D04347J	8		31-51-31	SM00046			N2	3		VW701-VW705 VW771-VW850
735	24	PK	D04507J	7		34-16-11	D00821	34		N2	2		VR201-VR201 VR251-VR251 VW706-VW770 VW851-VW999
735	24	PK	D04507J	7		34-16-11	D00821	34		N2	5		VW701-VW705 VW771-VW850
736	24	PK	D04507J	2		34-16-11	D00821	66		N2	2		VR201-VR201 VR251-VR251 VW706-VW770 VW851-VW999
736	24	PK	D04507J	2		34-16-11	D00821	66		N2	4		VW701-VW705 VW771-VW850
737	24	PK	SM00041		W	34-16-11	D00821	31		N2	1		VR201-VR201 VR251-VR251 VW706-VW770 VW851-VW999
737	24	PK	SM00041		W	34-16-11	D00821	31		N2	3		VW701-VW705 VW771-VW850
738	24	PK	D04347J	19		34-16-11	D00821	7		N2	2		VR201-VR201 VR251-VR251 VW706-VW770 VW851-VW999

286T0045-701
Wire Bundle Assembly
Figure 130 (Sheet 35)

25-71-02



COMPONENT
MAINTENANCE MANUAL

WIRE NUMBER	GA	TYP	FROM EQUIPMENT		TO EQUIPMENT		WIRE INFO					
			NUMBER	TERM	TT	WD REF	NUMBER	TERM	TT	EMC/SEP	FT	NOTE
738	24	PK	D04347J	19		34-16-11	D00821	7	N2	5		VW701-VW705 VW771-VW850
739	24	PK	SM00075		W	34-16-11	D00821	6	N2	1		VR201-VR201 VR251-VR251 VW706-VW770 VW851-VW999
739	24	PK	SM00075		W	34-16-11	D00821	6	N2	4		VW701-VW705 VW771-VW850
740	24	PK	SM00038		W	34-16-11	D04347J	33	N2	3		VW701-VW705
740	24	PK	SM00038		W	34-16-11	D00821	40	N2	3		VW771-VW850
740	24	PK	SM00038		W	34-16-11	D00821	40	N2	1		VW851-VW999
741	24	PK	D00821	18		34-16-11	D00821	22	N2			VR201-VR201 VR251-VR251 VW706-VW770 VW851-VW999
741	24	PK	D00821	18		34-16-11	D00821	22	N2	1		VW701-VW705 VW771-VW850
742	24	PK	D00821	50		34-16-11	D00821	48	N2			VR201-VR201 VR251-VR251 VW706-VW770 VW851-VW999
742	24	PK	D00821	50		34-16-11	D00821	48	N2	1		VW701-VW705 VW771-VW850
743	24	PK	D04349J	17		31-51-33	D01489	20	N2	1	ZSZ-B6	VR201-VR201
743	24	PK	SM00102		W	31-51-33	D01489	20	N2	3		VW701-VW705
743	24	PK	SM00102		W	31-51-33	D01489	20	N2	1		VW706-VW770
743	24	PK	D04349J	17		31-51-33	D01489	20	N2	4		VW771-VW850
743	24	PK	D04349J	17		31-51-33	D01489	20	N2	2		VW851-VW999
746	24	PK	D04597J	10		31-51-31	SM00043	20	N2	1		VR201-VR201 VR251-VR251 VW706-VW770 VW851-VW999
746	24	PK	D04597J	10		31-51-31	SM00043	20	N2	3		VW701-VW705 VW771-VW850
747	24	PK	D01487	46		31-51-31	SM00043	20	N2	1		VR201-VR201 VR251-VR251 VW706-VW770 VW851-VW999
747	24	PK	D01487	46		31-51-31	SM00043	20	N2	3		VW701-VW705 VW771-VW850
748	24	PK	D04347J	7		31-51-31	SM00045	20	N2	1		VR201-VR201 VR251-VR251 VW706-VW770 VW851-VW999
748	24	PK	D04347J	7		31-51-31	SM00045	20	N2	3		VW701-VW705 VW771-VW850
749	24	PK	D01487	10		31-51-31	SM00045	20	N2	1		VR201-VR201 VR251-VR251 VW706-VW770 VW851-VW999
749	24	PK	D01487	10		31-51-31	SM00045	20	N2	3		VW701-VW705 VW771-VW850
750	24	PK	D01487	19		31-51-31	SM00046	20	N2	1		VR201-VR201 VR251-VR251 VW706-VW770 VW851-VW999

286T0045-701
Wire Bundle Assembly
Figure 130 (Sheet 36)

25-71-02

WIRE		FROM EQUIPMENT			TO EQUIPMENT			WIRE INFO				
NUMBER	GA	TYP	NUMBER	TERM	TT	WD REF	NUMBER	TERM	TT	EMC/ FT	NOTE	EFFECTIVITY
									SEP			
750	24	PK	D01487	19		31-51-31	SM00046		W	N2		VW701-VW705 VW771-VW850
751	24	PK	D01487	13		31-51-31	SM00040		W	N2		VR201-VR201 VR251-VR251 VW706-VW770 VW851-VW999
751	24	PK	D01487	13		31-51-31	SM00040		W	N2		VW701-VW705 VW771-VW850
752	24	PK	D01487	47		31-51-31	SM00044		W	N2		VR201-VR201 VR251-VR251 VW706-VW770 VW851-VW999
752	24	PK	D01487	47		31-51-31	SM00044		W	N2		VW701-VW705 VW771-VW850
753	24	PK	D01487	51		31-51-31	SM00041		W	N2		VR201-VR201 VR251-VR251 VW706-VW770 VW851-VW999
753	24	PK	D01487	51		31-51-31	SM00041		W	N2		VW701-VW705 VW771-VW850
755	24	PV	D01487	1		31-51-31	SM00035		W	N2		VR201-VR201 VR251-VR251 VW706-VW770 VW851-VW999
755	24	PV	D01487	1		31-51-31	SM00035		W	N2		VW701-VW705 VW771-VW850
755Z	24	PK	D01487	DED		31-51-31	SM00035	DED	W	N2		VR201-VR201 VR251-VR251 VW706-VW770 VW851-VW999
756	24	PK	D01487	50		31-51-31	SM00036		W	N2		VW701-VW705 VW771-VW850
756	24	PK	D01487	50		31-51-31	SM00036		W	N2		VR201-VR201 VR251-VR251 VW706-VW770 VW851-VW999
757	24	PK	D01487	49		31-51-31	SM00039		W	N2		VW701-VW705 VW771-VW850
757	24	PK	D01487	49		31-51-31	SM00039		W	N2		VR201-VR201 VR251-VR251 VW706-VW770 VW851-VW999
758	24	PK	D01487	22		31-51-31	D01489	23	W	N2		VW701-VW705 VW771-VW850
758	24	PK	D01487	22		31-51-31	D01489	23	W	N2		VR201-VR201 VR251-VR251 VW706-VW770 VW851-VW999
759	24	PK	D01487	55		31-51-31	D01489	47	W	N2		VW701-VW705 VW771-VW850
759	24	PK	D01487	55		31-51-31	D01489	47	W	N2		VR201-VR201 VR251-VR251 VW706-VW770 VW851-VW999
760	24	PK	D01487	34		31-51-31	D01489	51	W	N2		VW701-VW705 VW771-VW850
760	24	PK	D01487	34		31-51-31	D01489	51	W	N2		VR201-VR201 VR251-VR251 VW706-VW770 VW851-VW999
761	24	PK	D01487	66		31-51-31	D01489	57	W	N2		VW701-VW705 VW771-VW850
761	24	PK	D01487	66		31-51-31	D01489	57	W	N2		VR201-VR201 VR251-VR251 VW706-VW770 VW851-VW999

286T0045-701
Wire Bundle Assembly
Figure 130 (Sheet 37)

25-71-02



BOEING
COMPONENT
MAINTENANCE MANUAL

WIRE NUMBER	GA	TYP	FROM EQUIPMENT		TO EQUIPMENT		EMC/SEP	FT	NOTE	EFFECTIVITY
			NUMBER	TERM	NUMBER	TERM				
762	24	PK	D00817	10	31-51-32	SM00045	N2	1		VR201-VR201 VR251-VR251 VW706-VW770 VW851-VW999
762	24	PK	D00817	10	31-51-32	SM00045	N2	3		VW701-VW705 VW771-VW850
763	24	PK	D00817	46	31-51-32	SM00043	N2	1		VR201-VR201 VR251-VR251 VW706-VW770 VW851-VW999
763	24	PK	D00817	46	31-51-32	SM00043	N2	3		VW701-VW705 VW771-VW850
764	24	PV	D00817	1	31-51-32	SM00035	N2	1		VR201-VR201 VR251-VR251 VW706-VW770 VW851-VW999
764	24	PV	D00817	1	31-51-32	SM00035	N2	3		VW701-VW705 VW771-VW850
764Z	24	PK	D00817	DED	31-51-32	SM00035	N2	1		VR201-VR201 VR251-VR251 VW706-VW770 VW851-VW999
765	24	PK	D00817	50	31-51-32	SM00036	N2	1		VW701-VW705 VW771-VW850
765	24	PK	D00817	50	31-51-32	SM00036	N2	3		VR201-VR201 VR251-VR251 VW706-VW770 VW851-VW999
766	24	PV	D00817	49	31-51-32	SM00053	N2	1		VW701-VW705 VW771-VW850
766Z	24	PK	D00817	DED	31-51-32	SM00053	N2	1		VR201-VR201 VR251-VR251 VW706-VW770 VW851-VW999
767	24	PK	D00817	19	31-51-32	SM00046	N2	3		VW701-VW705 VW771-VW850
767	24	PK	D00817	19	31-51-32	SM00046	N2	1		VR201-VR201 VR251-VR251 VW706-VW770 VW851-VW999
768	24	PK	D00817	13	31-51-32	SM00040	N2	3		VW701-VW705 VW771-VW850
768Z	24	PK	D00817	DED	31-51-32	SM00040	N2	1		VR201-VR201 VR251-VR251 VW706-VW770 VW851-VW999
769	24	PK	D00817	47	31-51-32	SM00044	N2	3		VW701-VW705 VW771-VW850
769	24	PK	D00817	47	31-51-32	SM00044	N2	1		VR201-VR201 VR251-VR251 VW706-VW770 VW851-VW999
770	24	PK	D00817	51	31-51-32	SM00041	N2	3		VW701-VW705 VW771-VW850
770	24	PK	D00817	51	31-51-32	SM00041	N2	1		VR201-VR201 VR251-VR251 VW706-VW770 VW851-VW999
772	24	PK	D00817	22	31-51-32	D01489	N2	2		VW701-VW705 VW771-VW850
772	24	PK	D00817	22	31-51-32	D01489	N2	3		VR201-VR201 VR251-VR251 VW706-VW770 VW851-VW999

286T0045-701
Wire Bundle Assembly
Figure 130 (Sheet 38)

25-71-02

WIRE		FROM EQUIPMENT			TO EQUIPMENT			WIRE INFO				
NUMBER	GA	TYP	NUMBER	TERM	TT	WD REF	NUMBER	TERM	TT	EMC / FT	NOTE	EFFECTIVITY
										SEP		
773	24	PK	D00817	55		31-51-32	D01489	13		N2		VR201-VR201 VR251-VR251 VW706-VW770 VW851-VW999
773	24	PK	D00817	55		31-51-32	D01489	13		N2		VW701-VW705 VW771-VW850
774	24	PK	D00817	34		31-51-32	D01489	25		N2		VR201-VR201 VR251-VR251 VW706-VW770 VW851-VW999
774	24	PK	D00817	34		31-51-32	D01489	25		N2		VW701-VW705 VW771-VW850
775	24	PK	D00817	66		31-51-32	D01489	58		N2		VR201-VR201 VR251-VR251 VW706-VW770 VW851-VW999
775	24	PK	D00817	66		31-51-32	D01489	58		N2		VW701-VW705 VW771-VW850
776	24	PK	D01489	42		31-51-33	D04347J	15		N2		VR201-VR201 VR251-VR251 VW706-VW770 VW851-VW999
776	24	PK	D01489	42		31-51-33	D04347J	15		N2		VW701-VW705 VW771-VW850
777	24	PK	D01489	8		31-51-33	D04349J	13		N2		VR201-VR201 VR251-VR251 VW706-VW770 VW851-VW999
777	24	PK	D01489	8		31-51-33	D04349J	13		N2		VW701-VW705 VW771-VW850
779	24	PK	D01489	35		31-51-33	D04349J	40		N2		VR201-VR201 VR251-VR251 VW706-VW770 VW851-VW999
779	24	PK	D01489	35		31-51-33	D04349J	40		N2		VW701-VW705 VW771-VW850
780	24	PK	D01489	53		31-51-33	D04349J	2		N2		VR201-VR201 VR251-VR251 VW706-VW770 VW851-VW999
780	24	PK	D01489	53		31-51-33	D04349J	2		N2		VW701-VW705 VW771-VW850
781	24	PK	D01489	31		31-51-33	D01489	48		N2		VR201-VR201 VR251-VR251 VW706-VW770 VW851-VW999
781	24	PK	D01489	31		31-51-33	D01489	48		N2		VW701-VW705 VW771-VW850
782	24	PK	D01489	18		31-51-33	D01489	22		N2		VR201-VR201 VR251-VR251 VW706-VW770 VW851-VW999
782	24	PK	D01489	18		31-51-33	D01489	22		N2		VW701-VW705 VW771-VW850
783	24	PK	D01489	38		31-51-33	SM00008		W	N2		VR201-VR201 VR251-VR251 VW706-VW770 VW851-VW999
783	24	PK	D01489	38		31-51-33	SM00008		W	N2		VW701-VW705 VW771-VW850
784	24	PK	D01489	4		31-51-33	SM00011		W	N2		VR201-VR201 VR251-VR251 VW706-VW770 VW851-VW999

 286T0045-701
 Wire Bundle Assembly
 Figure 130 (Sheet 39)

25-71-02



BOEING
COMPONENT
MAINTENANCE MANUAL

WIRE NUMBER	GA	TYP	FROM EQUIPMENT		TO EQUIPMENT		WIRE INFO					
			NUMBER	TERM	TT	WD REF	NUMBER	TERM	TT	EMC/SEP	FT	NOTE
784	24	PK	D01489	4		31-51-33	SM00011	W	N2	4		VW701-VW705 VW771-VW850
785	24	PK	D01489	37		31-51-33	SM00012	W	N2	1		VR201-VR201 VR251-VR251 VW706-VW770 VW851-VW999
785	24	PK	D01489	37		31-51-33	SM00012	W	N2	4		VW701-VW705 VW771-VW850
786	24	PK	D01489	3		31-51-33	SM00010	W	N2	1		VR201-VR201 VW706-VW770
786	24	PK	D01489	3		31-51-33	SM00010	W	N2	4		VW701-VW705 VW771-VW850
787	24	PK	D01489	1		31-51-33	SM00009	W	N2	1		VR251-VR251 VW851-VW999
788	24	PK	D01489	6		31-51-33	SM00034	W	N2	1		VR201-VR201 VR251-VR251 VW706-VW770 VW851-VW999
788	24	PK	D01489	6		31-51-33	SM00034	W	N2	4		VW701-VW705 VW771-VW850
789	24	PK	D01489	41		31-51-33	D04509J		N2	2		VR201-VR201 VR251-VR251 VW706-VW770
789	24	PK	D01489	41		31-51-33	D04509J		N2	4		VW851-VW999
790	24	PK	D01489	21		31-51-33	SM00101	W	N2	3		VW701-VW705 VW771-VW850
790	24	PK	D01489	21		31-51-33	SM00101	W	N2	1		VW701-VW705
790	24	PK	D01489	21		31-51-33	D04509J		N2	4		VW706-VW770
790	24	PK	D01489	21		31-51-33	D04509J		N2	4		VW771-VW850
791	24	PK	D01489	7		31-51-33	D04349J		N2	2		VW851-VW999
791	24	PK	D01489	7		31-51-33	D04349J		N2	2		VR201-VR201 VW706-VW770
791	24	PK	D01489	7		31-51-33	D04349J		N2	4		VW701-VW705 VW771-VW850
793	24	PK	D00819	11		31-51-41	SM00075	W	N2	1		VR201-VR201 VR251-VR251 VW706-VW770 VW851-VW999
793	24	PK	D00819	11		31-51-41	SM00075	W	N2	2		VW701-VW705 VW771-VW850
794	20	PA	D04303J	10		31-51-32	GDX0004	2	N2	2		VR201-VR201 VR251-VR251 VW706-VW770 VW851-VW999
794	20	PA	D04303J	10		31-51-32	GDX0004	2	N2	4		VW701-VW705 VW771-VW850
795	24	PK	D01433	9		31-51-42	D01433		N2			VR201-VR201 VR251-VR251 VW706-VW770 VW851-VW999
795	24	PK	D01433	9		31-51-42	D01433		N2	1		VW701-VW705 VW771-VW850
796	24	PK	D01433	22		31-51-42	D01433		N2			VR201-VR201 VR251-VR251 VW706-VW770 VW851-VW999
796	24	PK	D01433	22		31-51-42	D01433		N2	1		VW701-VW705 VW771-VW850

286T0045-701
Wire Bundle Assembly
Figure 130 (Sheet 40)

25-71-02

TESTING & TROUBLE SHOOTING
01 Page 177
Nov 01/02

WIRE		FROM EQUIPMENT			TO EQUIPMENT			WIRE INFO				
NUMBER	GA	TYP	NUMBER	TERM	TT	WD REF	NUMBER	TERM	TT	EMC/ FT	NOTE	EFFECTIVITY
										SEP		
797	24	PV	D00815	41		31-51-21	SM00053		W	N2	1	VR201-VR201 VW851-VW999
797	24	PV	D00815	41		31-51-21	SM00053		W	N2	3	VW701-VW705 VW771-VW850
797Z	24	PV	D00815	DED		31-51-21	SM00053	DED		N2		
798	24	PV	D04349J	9		31-51-21	SM00053		W	N2	1	VR201-VR201 VW851-VW999
798	24	PV	D04349J	9		31-51-21	SM00053		W	N2	3	VW701-VW705 VW771-VW850
798Z	24	PV	D04349J	DED		31-51-21	SM00053	DED		N2		
817	24	PK	D00823	55		27-32-12	D11553	6		N2	2	VR201-VR201 VW851-VW999
817	24	PK	D00823	55		27-32-12	D11553	6		N2	3	VW701-VW705 VW771-VW850
818	24	PK	D00823	21		27-32-12	D11553	4		N2	2	VR201-VR201 VW851-VW999
818	24	PK	D00823	21		27-32-12	D11553	4		N2	3	VW701-VW705 VW771-VW850
819	24	PK	D00823	51		27-32-12	D11553	3		N2	2	VR201-VR201 VW851-VW999
819	24	PK	D00823	51		27-32-12	D11553	3		N2	3	VW701-VW705 VW771-VW850
820	24	PK	D00823	50		27-32-12	D11553	2		N2	2	VR201-VR201 VW851-VW999
820	24	PK	D00823	50		27-32-12	D11553	2		N2	3	VW701-VW705 VW771-VW850
821	24	PK	D00823	49		27-32-12	D11553	7		N2	2	VR201-VR201 VW851-VW999
821	24	PK	D00823	49		27-32-12	D11553	7		N2	3	VW701-VW705 VW771-VW850
822	24	PK	D00823	47		27-32-12	D11553	8		N2	2	VR201-VR201 VW851-VW999
822	24	PK	D00823	47		27-32-12	D11553	8		N2	3	VW701-VW705 VW771-VW850
823	24	PK	D00823	46		27-32-12	D11553	9		N2	2	VR201-VR201 VW851-VW999
823	24	PK	D00823	46		27-32-12	D11553	9		N2	3	VW701-VW705 VW771-VW850
824	24	PK	D00823	53		27-32-12	D11553	5		N2	2	VR201-VR201 VW851-VW999
824	24	PK	D00823	53		27-32-12	D11553	5		N2	3	VW701-VW705 VW771-VW850

286T0045-701
Wire Bundle Assembly
Figure 130 (Sheet 41)

25-71-02



BOEING
COMPONENT
MAINTENANCE MANUAL

WIRE NUMBER	GA	TYP	FROM EQUIPMENT		TO EQUIPMENT		EMC/SEP	FT	NOTE	WIRE INFO EFFECTIVITY
			NUMBER	TERM TT	NUMBER	TERM TT				
825	24	PK	D00823	62	D11553	24	N2	2		VR301-VR201 VR251-VR251 VW706-VW770 VW851-VW999
825	24	PK	D00823	62	D11553	24	N2	3		VW701-VW705 VW771-VW850
826	24	PK	D01381	55	D11553	16	N2	2		VR201-VR201 VR251-VR251 VW706-VW770 VW851-VW999
826	24	PK	D01381	55	D11553	16	N2	3		VW701-VW705 VW771-VW850
827	24	PK	D01381	21	D11553	14	N2	2		VR201-VR201 VR251-VR251 VW706-VW770 VW851-VW999
827	24	PK	D01381	21	D11553	14	N2	3		VW701-VW705 VW771-VW850
828	24	PK	D01381	51	D11553	13	N2	2		VR201-VR201 VR251-VR251 VW706-VW770 VW851-VW999
828	24	PK	D01381	51	D11553	13	N2	3		VW701-VW705 VW771-VW850
829	24	PK	D01381	50	D11553	12	N2	2		VR201-VR201 VR251-VR251 VW706-VW770 VW851-VW999
829	24	PK	D01381	50	D11553	12	N2	3		VW701-VW705 VW771-VW850
830	24	PK	D01381	49	D11553	17	N2	2		VR201-VR201 VR251-VR251 VW706-VW770 VW851-VW999
830	24	PK	D01381	49	D11553	17	N2	3		VW701-VW705 VW771-VW850
831	24	PK	D01381	47	D11553	18	N2	2		VR201-VR201 VR251-VR251 VW706-VW770 VW851-VW999
831	24	PK	D01381	47	D11553	18	N2	3		VW701-VW705 VW771-VW850
832	24	PK	D01381	46	D11553	19	N2	2		VR201-VR201 VR251-VR251 VW706-VW770 VW851-VW999
832	24	PK	D01381	46	D11553	19	N2	3		VW701-VW705 VW771-VW850
833	24	PK	D01381	53	D11553	15	N2	2		VR201-VR201 VR251-VR251 VW706-VW770 VW851-VW999
833	24	PK	D01381	53	D11553	15	N2	3		VW701-VW705 VW771-VW850
834	24	PK	D01381	62	D11553	34	N2	2		VR201-VR201 VR251-VR251 VW706-VW770 VW851-VW999
834	24	PK	D01381	62	D11553	34	N2	3		VW701-VW705 VW771-VW850
835	24	PK	D04349J	50	D01381	64	N2	2		VR201-VR201 VR251-VR251 VW706-VW770 VW851-VW999

286T0045-701
Wire Bundle Assembly
Figure 130 (Sheet 42)

25-71-02

TESTING & TROUBLE SHOOTING
01 Page 178A
Nov 01/02

WIRE		FROM EQUIPMENT			TO EQUIPMENT			WIRE INFO				
NUMBER	GA	TYP	NUMBER	TERM	TT	WD REF	NUMBER	TERM	TT	EMC/ FT	NOTE	EFFECTIVITY
										SEP		
835	24	PK	D04349J	50		27-32-21	D01381	64		N2		VW701-VW705 VW771-VW850
836	20	PA	D04349J	53		27-32-21	GDX0002	S..	2	N2		VR201-VR201 VR251-VR251 VW706-VW770 VW851-VW999
836	20	PA	D04349J	53		27-32-21	GDX0002	S..	2	N2		VW701-VW705 VW771-VW850
837	24	PK	D00823	42		27-32-12	SM00082		W	N2		VR201-VR201 VR251-VR251 VW706-VW770 VW851-VW999
837	24	PK	D00823	42		27-32-12	SM00082		W	N2		VW701-VW705 VW771-VW850
838	24	PK	D01381	42		27-32-22	SM00085		W	N2		VR201-VR201 VR251-VR251 VW706-VW770 VW851-VW999
838	24	PK	D01381	42		27-32-22	SM00085		W	N2		VW701-VW705 VW771-VW850
842	24	PK	D01381	6		27-32-22	SM00085		W	N2		VW851-VW855
843	24	PK	D00823	6		27-32-12	SM00082		W	N2		VW851-VW855
850	24	PK	D04509J	3		31-51-33	SM00101		W	N2		VW701-VW705
850	24	PK	D04509J	3		31-51-33	SM00101		W	N2		VW706-VW770
851	24	PK	D04349J	17		31-51-33	SM00102		W	N2		VW701-VW705
851	24	PK	D04349J	17		31-51-33	SM00102		W	N2		VW706-VW770
852	24	PK	SM00101		W	31-41-35	D02261	CAP	Y	N2		VW701-VW705
852	24	PK	SM00101		W	31-41-35	D02261	CAP	Y	N2		VW706-VW770
853	24	PK	SM00102		W	31-51-33	D02261	CAP	Y	N2		VW701-VW705
853	24	PK	SM00102		W	31-51-33	D02261	CAP	Y	N2		VW706-VW770
862	22	PA	D02261	30		31-41-35	GDX0006	S..	2	N2		VR201-VR201 VR251-VR251 VW706-VW770 VW851-VW999
862	22	PA	D02261	30		31-41-35	GDX0006	S..	2	N2		VW701-VW705 VW771-VW850
863	22	PA	D02261	32		31-41-35	GDX0006	S..	2	N2		VR201-VR201 VR251-VR251 VW706-VW770 VW851-VW999
863	22	PA	D02261	32		31-41-35	GDX0006	S..	2	N2		VW701-VW705 VW771-VW850
864	22	PA	D02261	33		31-41-35	GDX0006	S..	2	N2		VR201-VR201 VR251-VR251 VW706-VW770 VW851-VW999
864	22	PA	D02261	33		31-41-35	GDX0006	S..	2	N2		VW701-VW705 VW771-VW850
865	22	PA	D02261	64		31-41-35	GDX0006	S..	2	N2		VR201-VR201 VR251-VR251 VW706-VW770 VW851-VW999
865	22	PA	D02261	64		31-41-35	GDX0006	S..	2	N2		VW701-VW705 VW771-VW850

286T0045-701
Wire Bundle Assembly
Figure 130 (Sheet 43)

25-71-02



BOEING
COMPONENT
MAINTENANCE MANUAL

WIRE NUMBER	GA	TYP	FROM EQUIPMENT		TO EQUIPMENT		WIRE INFO					
			NUMBER	TERM TT	WD REF	NUMBER	TERM TT	EMC/SEP	FT	NOTE	EFFECTIVITY	
866	24	PV	D02261	27	31-51-11	SM00018		W	N2	1		VR201-VR201 VR251-VR251 VW706-VW770 VW851-VW999
866	24	PV	D02261	27	31-51-11	SM00018		W	N2	3		VW701-VW705 VW771-VW850
866Z	24	PV	D02261	DED	31-51-11	SM00018	REF		N2			
867	24	PV	D02261	28	31-51-11	SM00047		W	N2	1		VR201-VR201 VR251-VR251 VW706-VW770 VW851-VW999
867	24	PV	D02261	28	31-51-11	SM00047		W	N2	3		VW701-VW705 VW771-VW850
867Z	24	PV	D02261	DED	31-51-11	SM00047	REF		N2			
868	24	PV	D02261	29	31-51-12	SM00054		W	N2	1		VR201-VR201 VR251-VR251 VW706-VW770 VW851-VW999
868	24	PV	D02261	29	31-51-12	SM00054		W	N2	3		VW701-VW705 VW771-VW850
868Z	24	PV	D02261	DED	31-51-12	SM00054	REF		N2			
869	24	PK	D02261	34	31-51-12	SM00025		W	N2	1		VR201-VR201 VR251-VR251 VW706-VW770 VW851-VW999
869	24	PK	D02261	34	31-51-12	SM00025		W	N2	3		VW701-VW705 VW771-VW850
870	22	PA	D02261	56	31-51-12	GDX0001	S..	2	N2	2		VR201-VR201 VR251-VR251 VW706-VW770 VW851-VW999
870	22	PA	D02261	56	31-51-12	GDX0001	S..	2	N2	4		VW701-VW705 VW771-VW850
871	22	PA	D02261	57	31-51-12	GDX0003	S..	2	N2	2		VR201-VR201 VR251-VR251 VW706-VW770 VW851-VW999
871	22	PA	D02261	57	31-51-12	GDX0003	S..	2	N2	3		VW701-VW705 VW771-VW850
872	22	PA	D02261	59	31-51-11	GDX0005	S..	2	N2	1		VR201-VR201 VR251-VR251 VW706-VW770 VW851-VW999
872	22	PA	D02261	59	31-51-11	GDX0005	S..	2	N2	3		VW701-VW705 VW771-VW850
873	24	PV	D02261	60	31-51-12	SM00055		W	N2	1		VR201-VR201 VR251-VR251 VW706-VW770 VW851-VW999
873	24	PV	D02261	60	31-51-12	SM00055		W	N2	3		VW701-VW705 VW771-VW850
873Z	24	PV	D02261	DED	31-51-12	SM00055	REF		N2			
874	24	PV	D02261	62	31-51-11	SM00049		W	N2	1		VR201-VR201 VR251-VR251 VW706-VW770 VW851-VW999
874	24	PV	D02261	62	31-51-11	SM00049		W	N2	3		VW701-VW705 VW771-VW850
874Z	24	PV	D02261	DED	31-51-11	SM00049	REF		N2			

286T0045-701
Wire Bundle Assembly
Figure 130 (Sheet 44)

25-71-02

WIRE		FROM EQUIPMENT			TO EQUIPMENT			WIRE INFO					
NUMBER	GA	TYP	NUMBER	TERM	TT	WD REF	NUMBER	TERM	TT	EMC/SEP	FT	NOTE	EFFECTIVITY
875	24	PV	D02261	63		31-51-12	SM00056		W	N2	1		VR201-VR201 VR251-VR251 VW706-VW770 VW851-VW999
875	24	PV	D02261	63		31-51-12	SM00056		W	N2	3		VW701-VW705 VW771-VW850
875Z			D02261	DED		31-51-12	SM00056	REF		N2			
876	24	PK	D02261	65		31-51-11	SM00022		W	N2	1		VR201-VR201 VR251-VR251 VW706-VW770 VW851-VW999
876	24	PK	D02261	65		31-51-11	SM00022		W	N2	4		VW701-VW705 VW771-VW850
877	24	PV	D00811	14		31-51-11	SM00018		W	N2	2		VR201-VR201 VW706-VW770 VW851-VW999
877	24	PV	D00811	14		31-51-11	SM00018		W	N2	2		VR251-VR251
877	24	PV	D00811	14		31-51-11	SM00018		W	N2	4		VW701-VW705 VW771-VW850
877Z			D00811	DED		31-51-11	SM00018	REF		N2			
878	24	PV	D00811	48		31-51-11	SM00047		W	N2	2		VR201-VR201 VW706-VW770 VW851-VW999
878	24	PV	D00811	48		31-51-11	SM00047		W	N2	2		VR251-VR251
878	24	PV	D00811	48		31-51-11	SM00047		W	N2	4		VW701-VW705 VW771-VW850
878Z			D00811	DED		31-51-11	SM00047	REF		N2			
879	24	PV	D00811	23		31-51-11	SM00049		W	N2	2		VR201-VR201 VW706-VW770 VW851-VW999
879	24	PV	D00811	23		31-51-11	SM00049		W	N2	2		VR251-VR251
879	24	PV	D00811	23		31-51-11	SM00049		W	N2	4		VW701-VW705 VW771-VW850
879Z			D00811	DED		31-51-11	SM00049	REF		N2			
880	24	PV	D00813	14		31-51-12	SM00054		W	N2	2		VR201-VR201 VW706-VW770 VW851-VW999
880	24	PV	D00813	14		31-51-12	SM00054		W	N2	2		VR251-VR251
880	24	PV	D00813	14		31-51-12	SM00054		W	N2	4		VW701-VW705 VW771-VW850
880Z			D00813	DED		31-51-12	SM00054	REF		N2			
881	24	PV	D00813	48		31-51-12	SM00055		W	N2	2		VR201-VR201 VW706-VW770 VW851-VW999
881	24	PV	D00813	48		31-51-12	SM00055		W	N2	2		VR251-VR251
881	24	PV	D00813	48		31-51-12	SM00055		W	N2	4		VW701-VW705 VW771-VW850
881Z			D00813	DED		31-51-12	SM00055	REF		N2			
882	24	PV	D00813	23		31-51-12	SM00056		W	N2	2		VR201-VR201 VW706-VW770 VW851-VW999
882	24	PV	D00813	23		31-51-12	SM00056		W	N2	2		VR251-VR251
882	24	PV	D00813	23		31-51-12	SM00056		W	N2	4		VW701-VW705 VW771-VW850
882Z			D00813	DED		31-51-12	SM00056	REF		N2			

286T0045-701
Wire Bundle Assembly
Figure 130 (Sheet 45)

25-71-02



BOEING
COMPONENT
MAINTENANCE MANUAL

WIRE NUMBER	GA	TYP	FROM EQUIPMENT		WD REF	TO EQUIPMENT		WIRE INFO						
			NUMBER	TERM		TT	NUMBER	TERM	TT	EMC/SEP	FT	NOTE	EFFECTIVITY	
885	24	PK	D04303J	9	31-51-21	SM00057		W	N2	1		VR201-VR201 VM851-VM999	VR251-VR251 VM851-VM999	VW706-VW770
885	24	PK	D04303J	9	31-51-21	SM00057		W	N2	3		VW701-VW705	VW771-VW850	
886	24	PK	D04507J	3	31-51-21	SM00058		W	N2	1		VR201-VR201 VM851-VM999	VR251-VR251 VM851-VM999	VW706-VW770
886	24	PK	D04507J	3	31-51-21	SM00058		W	N2	3		VW701-VW705	VW771-VW850	
887	24	PK	D04507J	1	31-51-21	SM00058		W	N2	1		VR201-VR201 VM851-VM999	VR251-VR251 VM851-VM999	VW706-VW770
887	24	PK	D04507J	1	31-51-21	SM00058		W	N2	3		VW701-VW705	VW771-VW850	
888	24	PK	SM00057		31-51-21	D04349J	25	W	N2	1		VR201-VR201 VM851-VM999	VR251-VR251 VM851-VM999	VW706-VW770
888	24	PK	SM00057		31-51-21	D04349J	25	W	N2	3		VW701-VW705	VW771-VW850	

286T0045-701
Wire Bundle Assembly
Figure 130 (Sheet 46)

25-71-02

WIRE		FROM EQUIPMENT			TO EQUIPMENT			WIRE INFO					
NUMBER	GA	TYP	NUMBER	TERM	TT	WD REF	NUMBER	TERM	TT	EMC/SEP	FT	NOTE	EFFECTIVITY
FRA			M01103			31-51-12	M01103	GND	D	N2			
FRB			D00813			31-51-12	D00813	59		N2			
FRC			M01102			31-51-11	M01102	GND	D	N2			
FRD			D00811			31-51-11	D00811	59		N2			
FRG			D04349J	58		31-41-35	D04349J			N2			
FRH			D04349J	61		28-41-11	D04349J			N2			
FA1			D00815	47		99-99-99	D00815	63		N2		DAW-B2	
FA2			D00817	8		99-99-99	D00817	57		N2		DAW-B2	
FA3			D00819	41		99-99-99	D00819	55		N2		DAW-B2	
FA4			D00821	43		99-99-99	D00821	60		N2		DAW-B2	
FA5			D00823	52		99-99-99	D00823	65		N2		DAW-B2	
FA6			D01433	44		99-99-99	D01433	61		N2		DAW-B2	
FA7			D01381	52		99-99-99	D01381	65		N2		DAW-B2	
FA8			D01487	8		99-99-99	D01487	57		N2		DAW-B2	
FA9			D01489	56		99-99-99	D01489	65		N2		DAW-B2	
PB1			D01739	7		99-99-99	D01739	62		N2		DAW-B2	
PB2			D01741	7		99-99-99	D01741	62		N2		DAW-B2	
PB4			D02261	54		99-99-99	D02261	61		N2		DAW-B2	
P01		SE	D11553							N2			
2	22	PA	D00821	14		31-51-11	GDX0002	D..	2	N2	2		
3	24	PV	SM00068		W	31-51-11	D00821	27		N2	1		
003Z			SM00068	REF		31-51-11	D00821			N2			
4	24	PV	SM00069		W	31-51-11	D00821	32		N2	1		
004Z			SM00069	REF		31-51-11	D00821			N2			
5	24	PV	D00811	35		31-51-11	D00821	17		N2	3		
005Z			D00811	DED		31-51-11	D00821			N2			
6	24	PK	SM00022		W	31-51-11	D00821	51		N2	1		
7	24	PK	D00811	65		31-51-11	SM00022		W	N2	2		
8	24	PK	D00819	37		31-51-11	SM00022		W	N2	1		
9	24	PV	D00819	27		31-51-11	D00811	13		N2	3		
009Z			D00811	DED		31-51-11	D00819			N2			
10	22	PA	D00819	14		31-51-11	GDX0001	D..	2	N2	2		

286T0045-OAA
Wire Bundle Assembly
Figure 131 (Sheet 1)

25-71-02



BOEING
COMPONENT
MAINTENANCE MANUAL

WIRE		FROM EQUIPMENT			TO EQUIPMENT			WIRE INFO					
NUMBER	GA	TYP	NUMBER	TERM	TT	WD	REF	NUMBER	TERM	TT	EMC/ FT	NOTE	EFFECTIVITY
11	24	PK	D01433	51		31-51-11		SM00022		W	N2		
12	24	PV	SM00018		W	31-51-11		D01433	27		N2		
012Z			SM00018	REF		31-51-11		D01433			N2		
13	24	PV	SM00047		W	31-51-11		D01433	32		N2		
013Z			SM00047	REF		31-51-11		D01433			N2		
14	24	PV	SM00049		W	31-51-11		D01433	17		N2		
014Z			SM00049	REF		31-51-11		D01433			N2		
15	22	PA	D01433	14		31-51-11		GDX0001	D..	2	N2		
16	20	PA	SM00028		W	31-51-11		GDX0005	D..	2	N2		
17	20	UA	GDX0002	S..	2	31-51-11		D00821			N2		
18	20	UA	GDX0005	S..	2	31-51-11		D00819			N2		
19	20	UA	D01433			31-51-11		GDX0002	S..	2	N2		
20	20	PA	GDX0005	D..	2	31-51-11		SM00029		W	N2		
21	20	UA	GDX0002	S..	2	31-51-11		D01503			N2		
23	20	UA	D00815			31-51-11		GDX0002	S..	2	N2		
24	24	PK	D04349J	38		31-51-11		SM00005		W	N2		
25	24	PK	D01503	A2		31-51-11		SM00005		W	N2		
26	20	PA	D01503	A3		31-51-11		GDX0003	D..	2	N2		
27	22	PQ	D01503	X2		31-51-11		D00811	75		N2		
027Z			D00811	DED		31-51-11		D01503			N2		
28	24	PV	D01503	X1		31-51-11		SM00015		W	N2		
028Z			SM00015	REF		31-51-11		D01503			N2		
29	24	PV	D00811	46		31-51-11		SM00015		W	N2		
029Z			SM00015	REF		31-51-11		D00811	DED		N2		
30	24	PK	SM00015		W	31-51-11		D11553	35		N2		
32	20	PA	D11553	11		31-51-11		GDX0003	D..	2	N2		
33	24	PK	D11553	37		31-51-11		D00811	34		N2		
34	24	PK	D11553	36		31-51-11		D00811	33		N2		
35	22	PA	D00815	14		31-51-11		GDX0001	D..	2	N2		
36	24	PV	D00815	27		31-51-11		D00811	12		N2		
036Z			D00811	DED		31-51-11		D00815			N2		
37	24	PV	D00815	32		31-51-11		D00811	17		N2		

286T0045-OAA
Wire Bundle Assembly
Figure 131 (Sheet 2)

25-71-02

WIRE		FROM EQUIPMENT		TO EQUIPMENT		WIRE INFO						
NUMBER	GA	TYP	NUMBER	TERM	TT	WD REF	NUMBER	TERM	TT	EMC/ FT SEP	NOTE	EFFECTIVITY
037Z			D00811	DED		31-51-11	D00815			N2		
38	24	PV	D00815	17		31-51-11	D00811	22		N2		
038Z			D00811	DED		31-51-11	D00815			N2		
39	24	PK	D00815	54		31-51-11	SM00020		W	N2	1	
40	24	PK	D00811	63		31-51-11	SM00020		W	N2	2	
41	24	PK	D00823	35		31-51-11	SM00020		W	N2	1	
42	24	PK	D01381	35		31-51-11	SM00020		W	N2	1	
45	22	PA	D01381	14		31-51-11	GDX0001	D..	2	N2	2	
46	22	PA	D01381	48		31-51-11	GDX0003	D..	2	N2	2	
47	24	PV	D01381	27		31-51-11	D00811	11		N2	3	
047Z			D00811	DED		31-51-11	D01381			N2		
48	24	PV	D01381	32		31-51-11	D00811	16		N2	3	
048Z			D00811	DED		31-51-11	D01381			N2		
49	24	PV	D01381	17		31-51-11	D00811	21		N2	3	
049Z			D00811	DED		31-51-11	D01381			N2		
52	22	PA	D00823	14		31-51-11	GDX0001	D..	2	N2	2	
53	22	PA	D00823	48		31-51-11	GDX0003	D..	2	N2	2	
54	24	PV	D00823	27		31-51-11	D00811	10		N2	3	
054Z			D00811	DED		31-51-11	D00823			N2		
55	24	PV	D00823	32		31-51-11	D00811	15		N2	3	
055Z			D00811	DED		31-51-11	D00823			N2		
56	24	PV	D00823	17		31-51-11	D00811	20		N2	3	
056Z			D00811	DED		31-51-11	D00823			N2		
57	22	PA	D00817	14		31-51-11	GDX0002	D..	2	N2	2	
58	24	PV	D00817	27		31-51-11	D00811	51		N2	3	
058Z			D00811	DED		31-51-11	D00817			N2		
59	24	PV	D00817	32		31-51-11	D00811	74		N2	3	
059Z			D00811	DED		31-51-11	D00817			N2		
60	24	PK	D00817	45		31-51-11	SM00021		W	N2	1	
61	24	PK	D00811	64		31-51-11	SM00021		W	N2	2	
62	24	PK	D01489	16		31-51-11	SM00021		W	N2	1	
63	24	PK	D01487	45		31-51-11	SM00021		W	N2	1	

286T0045-OAA
Wire Bundle Assembly
Figure 131 (Sheet 3)

25-71-02



BOEING
COMPONENT
MAINTENANCE MANUAL

WIRE		FROM EQUIPMENT			TO EQUIPMENT			WIRE INFO					
NUMBER	GA	TYP	NUMBER	TERM	TT	WD	REF	NUMBER	TERM	TT	EMC/ FT	NOTE	EFFECTIVITY
64	24	PV	D01487	27		31-51-11	D00811	D00811	47		N2	3	
064Z			D00811	DED		31-51-11	D01487	D01487			N2		
65	24	PV	D01487	32		31-51-11	D00811	D00811	70		N2	3	
065Z			D00811	DED		31-51-11	D01487	D01487			N2		
66	22	PA	D01487	14		31-51-11	GDX0003	D00003	D..	2	N2	2	
67	24	PV	D01489	27		31-51-11	D00811	D00811	45		N2	3	
067Z			D00811	DED		31-51-11	D01489	D01489			N2		
68	24	PV	D01489	32		31-51-11	D00811	D00811	50		N2	3	
068Z			D00811	DED		31-51-11	D01489	D01489			N2		
69	24	PV	D01489	17		31-51-11	D00811	D00811	36		N2	3	
069Z			D00811	DED		31-51-11	D01489	D01489			N2		
70	22	PA	D01489	14		31-51-11	GDX0003	D00003	D..	2	N2	2	
71	20	UA	D01381			31-51-11	GDX0002	S..	S..	2	N2	2	
72	20	UA	D00823			31-51-11	GDX0002	S..	S..	2	N2	2	
73	20	UA	D00817			31-51-11	GDX0002	S..	S..	2	N2	2	
74	20	PA	SM00026			31-51-11	GDX0005	D..	D..	2	N2	2	
75	20	UA	D01487			31-51-11	GDX0005	S..	S..	2	N2	2	
76	20	UA	GDX0005		2	31-51-11	D01489	D01489			N2	2	
77	24	PK	D02261	40		31-41-35	D04349J	D04349J	1		N2	2	
78	20	PA	SM00027			31-51-11	GDX0005	D..	D..	2	N2	2	
80	22	PA	D00821	15		31-51-12	GDX0002	D..	D..	2	N2	2	
81	24	PV	D00821	30		31-51-12	SM00073	SM00073	REF	W	N2	1	
081Z			D00821	33		31-51-12	SM00073	SM00073	REF	W	N2	1	
82	24	PV	D00821			31-51-12	SM00074	SM00074	REF		N2		
082Z			D00821	24		31-51-12	D00813	D00813	35		N2	3	
83	24	PV	D00821	19		31-51-12	D00813	D00813	DED		N2		
083Z			D00821	65		31-51-12	SM00025	SM00025		W	N2	1	
84	24	PK	D00821	65		31-51-12	SM00025	SM00025		W	N2	2	
85	24	PK	D00813	3		31-51-12	SM00025	SM00025		W	N2	1	
86	24	PK	D00819	18		31-51-12	SM00025	SM00025		W	N2	1	
87	24	PK	D01433	15		31-51-12	SM00025	SM00025	D..	2	N2	2	
88	22	PA	D01433			31-51-12	GDX0002	GDX0002			N2		

286T0045-OAA
Wire Bundle Assembly
Figure 131 (Sheet 4)

25-71-02

WIRES		FROM EQUIPMENT		TO EQUIPMENT		WIRES INFO							
NUMBER	GA	TYP	NUMBER	TERM	TT	WD REF	NUMBER	TERM	TT	EMC/SEP	FT	NOTE	EFFECTIVITY
89	24	PV	D01433	30		31-51-12	SM00054		W	N2	1		
089Z			SM00054	REF		31-51-12	D01433			N2			
90	24	PV	D01433	33		31-51-12	SM00055		W	N2	1		
090Z			SM00055	REF		31-51-12	D01433			N2			
91	24	PV	D01433	24		31-51-12	SM00056		W	N2	1	PAJ-F2	
091Z			SM00056	REF		31-51-12	D01433			N2		PAJ-F2	
92	22	PA	D00819	15		31-51-12	GDX0002	D..	2	N2	2		
93	24	PV	D00819	30		31-51-12	D00813	13		N2	3		
093Z			D00813	DED		31-51-12	D00819			N2			
94	20	PA	SM00032			31-51-12	GDX0005	D..	2	N2			
95	24	PV	D01505	X2	W	31-51-12	D00813	75		N2	3		
095Z			D00813	DED		31-51-12	D01505			N2			
96	24	PV	D01505	X1		31-51-12	SM00016		W	N2	1		
096Z			SM00016	REF		31-51-12	D01505			N2			
97	24	PV	D00813	46		31-51-12	SM00016		W	N2	2		
097Z			SM00016	REF		31-51-12	D00813	DED		N2			
98	20	PA	SM00033		W	31-51-12	GDX0005	D..	2	N2			
99	24	PK	SM00016		W	31-51-12	D11553	25		N2	1		
100	20	PA	D11553	1		31-51-12	GDX0003	D..	2	N2	2		
101	20	UA	D00821			31-51-12	GDX0004	S..	2	N2	2		
102	20	UA	D00819			31-51-12	GDX0004	S..	2	N2	2		
103	20	UA	D01433			31-51-12	GDX0004	S..	2	N2	2		
104	20	UA	D01505			31-51-12	GDX0005	S..	2	N2	2		
106	20	UA	D00815			31-51-12	GDX0004	S..	2	N2	2		
107	20	UA	D01381			31-51-12	GDX0004	S..	2	N2	2		
109	20	UA	D00817			31-51-12	GDX0004	S..	2	N2	2		
110	20	UA	D01487			31-51-12	GDX0001	S..	2	N2	2		
111	20	UA	D01489			31-51-12	GDX0001	S..	2	N2	2		
112	22	PA	D00815	15		31-51-12	GDX0001	S..	2	N2	2		
113	24	PK	D01505	A2		31-51-12	SM00005	D..	2	N2	2		
114	20	PA	D01505	A3		31-51-12	GDX0003	D..	2	N2	2		
115	24	PK	D02261	21		21-61-51	D04347J	25		N2	2		

286T0045-OAA
Wire Bundle Assembly
Figure 131 (Sheet 5)

25-71-02



BOEING
COMPONENT
MAINTENANCE MANUAL

WIRE			FROM EQUIPMENT			TO EQUIPMENT			WIRE INFO				
NUMBER	GA	TYP	NUMBER	TERM	TT	WD REF	NUMBER	TERM	TT	EMC/ SEP	FT	NOTE	EFFECTIVITY
116	24	PK	D00815	21		31-51-12	SM00023		W	N2	1		
117	24	PK	D00813	63		31-51-12	SM00023		W	N2	2		
118	24	PK	D00823	1		31-51-12	SM00023		W	N2	1		
119	24	PK	D01381	1		31-51-12	SM00023		W	N2	1		
120	22	PA	D01381	15		31-51-12	GDX0001	D..	2	N2	2		
121	24	PK	D00817	56		31-51-12	SM00024		W	N2	1		
122	24	PK	D00813	64		31-51-12	SM00024		W	N2	2		
123	24	PK	D01487	56		31-51-12	SM00024		W	N2	1		
124	22	PA	D00823	15		31-51-12	GDX0001	D..	2	N2	2		
125	20	UA	D00823			31-51-12	GDX0004	S..	2	N2	2		
126	24	PV	D00823	33		31-51-12	D00813	15		N2	3		
126Z			D00823			31-51-12	D00813	DED		N2			
127	24	PV	D00823	24		31-51-12	D00813	20		N2	3		
127Z			D00823			31-51-12	D00813	DED		N2			
128	22	PA	D00817	15		31-51-12	GDX0002	D..	2	N2	2		
129	24	PV	D00817	30		31-51-12	D00813	51		N2	3		
129Z			D00817			31-51-12	D00813	DED		N2			
130	24	PV	D00817	33		31-51-12	D00813	74		N2	3		
130Z			D00817			31-51-12	D00813	DED		N2			
131	24	PV	D00813	11		31-51-12	D01381	30		N2	3		
131Z			D01381			31-51-12	D00813	DED		N2			
132	24	PV	D00813	16		31-51-12	D01381	33		N2	3		
132Z			D01381			31-51-12	D00813	DED		N2			
133	24	PV	D01381	24		31-51-12	D00813	21		N2	3		
133Z			D01381			31-51-12	D00813	DED		N2			
134	24	PK	D01489	50		31-51-12	SM00024		W	N2	1		
135	24	PV	D01487	30		31-51-12	D00813	47		N2	3		
135Z			D01487			31-51-12	D00813	DED		N2			
136	24	PV	D01487	33		31-51-12	D00813	70		N2	3		
136Z			D01487			31-51-12	D00813	DED		N2			
137	22	PA	D01487	15		31-51-12	GDX0003	D..	2	N2	2		
138	24	PV	D01489	30		31-51-12	D00813	45		N2	3		

286T0045-OAA
Wire Bundle Assembly
Figure 131 (Sheet 6)

25-71-02

WIRE NUMBER	GA	TYP	FROM EQUIPMENT		TO EQUIPMENT		EMC/SEP	FT	NOTE	WIRE INFO EFFECTIVITY
			NUMBER	TERM	TT	WD REF				
138Z										
139	24	PV	D01489			31-51-12	D00813	DED	N2	
139Z			D01489	33		31-51-12	D00813	50	N2	3
140	24	PV	D01489			31-51-12	D00813	DED	N2	
140Z			D01489	24		31-51-12	D00813	36	N2	3
141	22	PA	D01489			31-51-12	D00813	DED	N2	
142	24	PK	D00813			31-51-12	GDX0003	D..	N2	2
143	24	PK	D11553			31-51-12	D11553	26	N2	3
144	24	PV	D00813			31-51-12	D00813	34	N2	3
144Z			D00813	12		31-51-12	D00815	30	N2	3
145	20	PA	SM00030			31-51-12	D00815	DED	N2	
146	24	PV	D00813		W	31-51-12	GDX0005	D..	N2	
146Z			D00813	17		31-51-12	D00815	33	N2	3
147	24	PV	D00813			31-51-12	D00815	DED	N2	
147Z			D00813	22		31-51-12	D00815	24	N2	3
148	24	PV	D00823			31-51-12	D00815	DED	N2	
148Z			D00823	30		31-51-12	D00813	10	N2	3
149	20	PA	SM00031			31-51-12	D00813	DED	N2	
150	22	PA	D04301J		W	31-51-12	GDX0005	D..	N2	
151	24	PK	D04509J			27-32-11	D00823	34	N2	2
152	24	PK	D04347J			27-32-11	D00823	39	N2	2
153	24	PK	D00823			27-32-11	D00823	40	N2	2
154	20	PA	D04509J			27-32-11	D04509J	6	N2	2
155	24	PK	SM00037			27-32-11	GDX0001	D..	N2	2
156	24	PK	D00823		W	27-32-11	D04511J	3	N2	1
157	24	PK	D04511J			27-32-11	D04511J	2	N2	2
158	24	PK	SM00037			27-32-11	SM00050		N2	1
159	24	PK	D04349J		W	27-32-11	D00823	4	N2	1
160	24	PK	D04349J			27-32-11	D00823	36	N2	1
161	24	PK	D04349J			27-32-11	D00823	3	N2	1
162	24	PK	D04349J			27-32-11	D00823	43	N2	1
165	22	PA	D04349J			27-32-11	D00823	2	N2	1
			D04349J	11		27-32-31	D01381	34	N2	2

 286T0045-OAA
 Wire Bundle Assembly
 Figure 131 (Sheet 7)

25-71-02



BOEING
COMPONENT
MAINTENANCE MANUAL

WIRE		FROM EQUIPMENT			TO EQUIPMENT			WIRE INFO					
NUMBER	GA	TYP	NUMBER	TERM	TT	WD REF	NUMBER	TERM	TT	EMC/ SEP	FT	NOTE	EFFECTIVITY
166	24	PK	D01381	40		27-32-21	D04349J	6		N2	2		
167	24	PK	D01381	31		27-32-21	D04511J	7		N2	2		
168	20	PA	GDX0002	D..	2	27-32-21	D04511J	8		N2	2		
169	24	PK	D04349J	34		27-32-21	D01381	36		N2	2		
170	24	PK	D04349J	35		27-32-21	D01381	3		N2	2		
171	24	PK	D04349J	36		27-32-21	D01381	43		N2	2		
172	24	PK	D04349J	37		27-32-21	D01381	2		N2	2		
173	24	PK	D04511J	13		27-32-21	D01381	4		N2	2		
174	24	PK	D04511J	16		27-32-21	D01381	37		N2	2		
175	24	PK	D04511J	15		27-32-21	D01381	38		N2	2		
176	24	PK	D04509J	8		27-32-21	D01381	39		N2	2		
177	24	PK	D00815	34		31-51-21	SM00057		W	N2	1		
178	24	PK	D00815	43		31-51-21	D01433	19		N2	2		
179	24	PK	D00815	10		31-51-21	D00819	5		N2	2		
180	24	PK	D04507J	5		31-51-21	SM00034		W	N2	1		
181	24	PK	SM00058		W	31-51-21	D00815	66		N2	1		
182	24	PK	D00815	4		31-51-21	SM00034		W	N2	1		
183	24	PK	D00815	11		31-51-21	D04349J	39		N2	2		
184	22	PA	D00815	37		31-51-21	SM00035		W	N2	1		
185	22	PA	D00815	42		31-51-21	SM00036		W	N2	1		
186	24	PK	D04349J	5		31-51-21	SM00012		W	N2	1		
187	24	PK	D00815	2		31-51-21	SM00012		W	N2	1		
188	24	PK	SM00011		W	31-51-21	D04349J	4		N2	1		
189	24	PK	SM00011		W	31-51-21	D00815	35		N2	1		
190	24	PK	D04349J	12		31-51-21	SM00009		W	N2	1		
191	24	PK	D00815	44		31-51-21	SM00009		W	N2	1		
192	24	PK	D04347J	10		31-51-21	SM00008		W	N2	1		
193	24	PK	D00815	1		31-51-21	SM00008		W	N2	1		
194	24	PK	D04347J	11		31-51-21	SM00010		W	N2	1		
195	24	PK	D00815	36		31-51-21	SM00010		W	N2	1		
196	24	PK	SM00039		W	31-51-21	D04347J	21		N2	1		
197	24	PK	D00815	45		31-51-21	SM00039		W	N2	1		

286T0045-OAA
Wire Bundle Assembly
Figure 131 (Sheet 8)

25-71-02

WIRE		FROM EQUIPMENT		TO EQUIPMENT		WIRE INFO							
NUMBER	GA	TYP	NUMBER	TERM	TT	WD REF	NUMBER	TERM	TT	EMC/SEP	FT	NOTE	EFFECTIVITY
198	24	PK	D00815	46		31-51-21	D04347J	6		N2	2		
199	20	PA	GDX0004	S..	2	31-51-31	D04597J	14		N2	2		
201B	24	PW	D01489	43		31-51-33	SM00004		W	N2	1		
201R	24	PW	D01489	9		31-51-33	SM00003		W	N2			
201Z			D01489	DED		31-51-33	SM00003	REF		N2			
204	20	UA	D04507J			27-32-11	GDX0004	S..	2	N2	2		
204B	24	PW	D00823	18		27-32-11	D04507J	12		N2	1		
204R	24	PW	D00823	16		27-32-11	D04507J	11		N2			
204Z			D00823	DED		27-32-11	D04507J			N2			
205B	24	PW	D00815	19		31-51-21	SM00007		W	N2	1		
205R	24	PW	D00815	52		31-51-21	SM00006		W	N2			
205Z			D00815	DED		31-51-21	SM00006	REF		N2			
207	20	UA	D04597J			31-51-21	GDX0004	S..	2	N2	2		
207B	24	PW	SM00007		W	31-51-21	D04597J	4		N2	1		
207R	24	PW	SM00006		W	31-51-21	D04597J	3		N2			
207Z			SM00006	REF		31-51-21	D04597J			N2			
208	20	UA	D04301J			34-16-11	GDX0002	S..	2	N2	2		
208B	24	PW	D00821	36		34-16-11	D04301J	9		N2	2		
208R	24	PW	D00821	2		34-16-11	D04301J	8		N2			
208Z			D00821	DED		34-16-11	D04301J			N2			
209B	24	PW	D01489	46		31-51-33	SM00007		W	N2	1		
209R	24	PW	D01489	12		31-51-33	SM00006		W	N2			
209Z			D01489	DED		31-51-33	SM00006	REF		N2			
212B	24	PW	D01433	36		31-51-42	SM00007		W	N2	1		
212R	24	PW	D01433	2		31-51-42	SM00006		W	N2			
212Z			D01433	DED		31-51-42	SM00006	REF		N2			
213	20	UA	D04507J			34-16-11	GDX0004	S..	2	N2	2		
213B	24	PW	D00821	35		34-16-11	D04507J	8		N2	2		
213R	24	PW	D00821	1		34-16-11	D04507J	9		N2			
213Z			D00821	DED		34-16-11	D04507J			N2			
214	20	UA	D04349J			34-16-11	GDX0004	S..	2	N2	2		
214B	24	PW	D00821	37		34-16-11	D04349J	19		N2	2		

286T0045-OAA
Wire Bundle Assembly
Figure 131 (Sheet 9)

25-71-02



BOEING
COMPONENT
MAINTENANCE MANUAL

WIRE			FROM EQUIPMENT			TO EQUIPMENT			WIRE INFO					
NUMBER	GA	TYP	NUMBER	TERM	TT	WD	REF	NUMBER	TERM	TT	EMC/SEP	FT	NOTE	EFFECTIVITY
214R	24	PW	D00821	3		34-16-11		D04349J	18		N2			
214Z			D00821	DED		34-16-11		D04349J			N2			
215B	24	PL	D01487	24		31-51-31		D04597J	12		N2	2		
215R	24	PL	D01487	23		31-51-31		D04597J	13		N2			
216B	24	PL	D00817	24		31-51-32		D04303J	12		N2	2		
216R	24	PL	D00817	23		31-51-32		D04303J	11		N2			
221B	24	PW	D01489	45		31-51-33		SM00004		W	N2	1		
221R	24	PW	D01489	11		31-51-33		SM00003		W	N2			
221Z			D01489	DED		31-51-33		SM00003	REF		N2			
223B	24	PW	D00821	38		34-16-11		SM00004		W	N2	1		
223R	24	PW	D00821	4		34-16-11		SM00003		W	N2			
223Z			D00821	DED		34-16-11		SM00003	REF		N2			
224	20	UA	D04349J	28		27-32-21		GDX0004	S..	2	N2	2		
224B	24	PW	D04349J	27		27-32-21		D01381	18		N2	2		
224R	24	PW	D04349J	27		27-32-21		D01381	16		N2			
224Z			D04349J			27-32-21		D01381	DED		N2			
225B	22	PR	D00811	69		31-51-11		SM00060		W	N2	2		
225R	22	PR	D00811	68		31-51-11		SM00060		W	N2			
225Z			D00811	DED		31-51-11		SM00028			N2			
226B	22	PR	D00813	69		31-51-12		SM00061	REF	W	N2	2		
226R	22	PR	D00813	68		31-51-12		SM00061		W	N2			
226Z			D00813	DED		31-51-12		SM00030	REF		N2			
230	20	UA	D04347J			31-51-33		GDX0003	S..	2	N2	2		
230B	24	PW	D04347J	18		31-51-33		SM00004		W	N2	1		
230R	24	PW	D04347J	17		31-51-33		SM00003		W	N2			
230Z			D04347J			31-51-33		SM00003	REF		N2			
236	20	UA	D04347J			27-32-11		GDX0001	S..	2	N2	2		
236B	24	PW	D04347J	37		27-32-11		D00823	54		N2	2		
236R	24	PW	D04347J	36		27-32-11		D00823	23		N2			
236Z			D04347J			27-32-11		D00823	DED		N2			
237B	24	PW	D04347J	40		27-32-11		D00823	13		N2	2		
237R	24	PW	D04347J	39		27-32-11		D00823	12		N2			

286T0045-OAA
Wire Bundle Assembly
Figure 131 (Sheet 10)

25-71-02

WIRE NUMBER	GA	TYP	FROM EQUIPMENT		TO EQUIPMENT		WIRE INFO						
			NUMBER	TERM	TT	WD REF	NUMBER	TERM	TT	EMC/ SEP	FT	NOTE	EFFECTIVITY
237Z			D04347J			27-32-11	D00823	DED					
238	20	UA	D04349J			27-32-21	GDX0001	S..	2	N2	2		
238B	24	PW	D04349J	49		27-32-31	D01381	54		N2	2		
238R	24	PW	D04349J	48		27-32-31	D01381	23		N2			
238Z			D04349J			27-32-21	D01381	DED		N2			
239B	24	PW	D01381	20		27-32-21	D04349J	55		N2	2		
239R	24	PW	D01381	19		27-32-21	D04349J	54		N2			
239Z			D01381	DED		27-32-31	D04349J			N2			
240B	24	PL	D04347J	23		31-51-31	SM00080		W	N2	1		
240R	24	PL	D04347J	22		31-51-31	SM00042		W	N2			
241B	24	PL	D01487	60		31-51-31	SM00080		W	N2	1		
241R	24	PL	D01487	28		31-51-31	SM00042		W	N2			
242B	24	PL	D00817	60		31-51-32	SM00080		W	N2	1		
242R	24	PL	D00817	28		31-51-32	SM00042		W	N2			
243B	24	PW	D04349J	52		27-32-21	D01381	13		N2	2		
243R	24	PW	D04349J	51		27-32-21	D01381	12		N2			
243Z			D04349J			27-32-31	D01381	DED		N2			
245B	24	PW	D00823	20		27-32-11	D04347J	48		N2	2		
245R	24	PW	D00823	19		27-32-11	D04347J	47		N2			
245Z			D00823	DED		27-32-11	D04347J			N2			
247	20	UA	D04349J			31-41-35	GDX0006	S..	2	N2	2		
247B	24	PW	D02261	42		31-41-35	D04349J	57		N2	2		
247R	24	PW	D02261	43		31-41-35	D04349J	56		N2			
247Z			D02261	DED		31-41-35	D04349J			N2			
248	20	UA	D04349J			28-41-11	GDX0006	S..	2	N2	2		
248B	24	PW	D02261	5		28-41-11	D04349J	60		N2	2		
248R	24	PW	D02261	8		28-41-11	D04349J	59		N2			
248Z			D02261	DED		28-41-11	D04349J			N2			
271B	24	PL	D04597J	5		31-51-31	SM00088		W	N2	1		
271R	24	PL	D04597J	2		31-51-31	SM00087		W	N2			
272B	24	PL	D01487	63		31-51-31	SM00088		W	N2	1		
272R	24	PL	D01487	62		31-51-31	SM00087		W	N2			

286T0045-OAA
Wire Bundle Assembly
Figure 131 (Sheet 11)

25-71-02



BOEING
COMPONENT
MAINTENANCE MANUAL

WIRE		FROM EQUIPMENT			TO EQUIPMENT			WIRE INFO					
NUMBER	GA	TYP	NUMBER	TERM	TT	WD	REF	NUMBER	TERM	TT	EMC/ FT	NOTE	EFFECTIVITY
273B	24	PL	D00817	63		31-51-32		SM00088		W	N2	1	
273R	24	PL	D00817	62		31-51-32		SM00087		W	N2	2	
289	24	PK	D01489	21		31-51-33		D04509J	5	2	N2	1	
301	20	UA	SM00028	REF		31-51-11		GDX0005	S..	W	N2	2	
301B	22	PS	D00811	57		31-51-11		SM00028		W	N2	2	
301R	22	PS	D00811	38		31-51-11		SM00028		W	N2	2	
301Y	22	PS	D00811	58		31-51-11		SM00028		W	N2	2	
301Z	22	PS	D00811	DED		31-51-11		SM00028	REF	W	N2	2	
302B	22	PS	D00811	42		31-51-11		SM00029		W	N2	2	
302R	22	PS	D00811	41		31-51-11		SM00029		W	N2	2	
302Y	22	PS	D00811	43		31-51-11		SM00029		W	N2	2	
302Z	22	PS	D00811	DED		31-51-11		SM00028	REF	W	N2	2	
303B	22	PS	D00811	8		31-51-11		SM00026		W	N2	2	
303R	22	PS	D00811	7		31-51-11		SM00026		W	N2	2	
303Y	22	PS	D00811	9		31-51-11		SM00026		W	N2	2	
303Z	22	PS	D00811	DED		31-51-11		SM00028	REF	W	N2	2	
304B	22	PS	D00811	25		31-51-11		SM00027		W	N2	2	
304R	22	PS	D00811	24		31-51-11		SM00027		W	N2	2	
304Y	22	PS	D00811	37		31-51-11		SM00027		W	N2	2	
304Z	20	UA	SM00030	DED		31-51-11		SM00028	REF	W	N2	2	
305B	22	PS	D00813	8		31-51-12		GDX0005	S..	2	N2	1	
305R	22	PS	D00813	7		31-51-12		SM00030		W	N2	2	
305Y	22	PS	D00813	9		31-51-12		SM00030		W	N2	2	
305Z	22	PS	D00813	DED		31-51-12		SM00030	REF	W	N2	2	
306B	22	PS	D00813	25		31-51-12		SM00031		W	N2	2	
306R	22	PS	D00813	24		31-51-12		SM00031		W	N2	2	
306Y	22	PS	D00813	37		31-51-12		SM00031		W	N2	2	
306Z	22	PS	D00813	DED		31-51-12		SM00030	REF	W	N2	2	
307B	22	PS	D00813	57		31-51-12		SM00032		W	N2	2	
307R	22	PS	D00813	38		31-51-12		SM00032		W	N2	2	
307Y	22	PS	D00813	58		31-51-12		SM00032		W	N2	2	

286T0045-OAA
Wire Bundle Assembly
Figure 131 (Sheet 12)

25-71-02

WIRE NUMBER	GA	TYP	FROM EQUIPMENT		TO EQUIPMENT		WIRE INFO					
			NUMBER	TERM	WD REF	NUMBER	TERM	TT	EMC/ SEP	FT	NOTE	EFFECTIVITY
307Z	22	PS	D00813	DED	31-51-12	SM00030	REF					
308B	22	PS	D00813	42	31-51-12	SM00033						
308R	22	PS	D00813	41	31-51-12	SM00033						
308Y	22	PS	D00813	43	31-51-12	SM00033						
308Z	22	PK	D00813	DED	31-51-12	SM00030	REF					
512	24	PK	D02261	20	27-81-31	D04349J	8					
601	20	PA	SM00060		31-51-11	GDX0004	D..					
602	20	PA	SM00061		31-51-12	GDX0005	D..					
603	24	PV	D04301J	5	31-51-12	M01103	INE					
603Z	24	PV	D04301J	DED	31-51-12	M01103						
604	24	PV	D04301J	4	31-51-12	D00813	4					
604Z	24	PV	D04301J	DED	31-51-12	D00813						
605	24	PV	D00813	1	31-51-12	M01103	OAD					
605Z	24	PV	D00813	32	31-51-12	M01103	DED					
606	24	PV	D04349J	32	31-51-11	M01102	INE					
606Z	24	PV	D04349J	DED	31-51-11	M01102						
607	24	PV	D04349J	33	31-51-11	D00811	4					
607Z	24	PV	D04349J	DED	31-51-11	D00811						
608	24	PV	D00811	1	31-51-11	M01102	OAD					
608Z	24	PK	D00811	DED	31-51-11	M01102	DED					
610	24	PK	D00823	37	27-32-11	SM00050						
611	24	PK	D01433	6	31-51-42	D04347J	20					
612	24	PK	D01433	4	31-51-42	SM00050						
613	24	PK	D04349J	30	31-51-31	SM00065						
614	24	PK	D01487	52	31-51-31	SM00065						
615	24	PK	D00817	52	31-51-32	SM00065						
617	24	PK	D01381	11	27-32-12	D00823	56					
618	24	PK	D01381	56	27-32-12	D00823	11					
619	24	PK	D00823	45	27-32-12	SM00082						
620	24	PK	D04349J	29	31-51-21	SM00071						
621	24	PK	D00815	7	31-51-21	SM00071						
622	24	PK	D01489	2	31-51-33	SM00071						

286T0045-OAA
Wire Bundle Assembly
Figure 131 (Sheet 13)

25-71-02



BOEING
COMPONENT
MAINTENANCE MANUAL

WIRE		FROM EQUIPMENT			TO EQUIPMENT			WIRE INFO				
NUMBER	GA	TYP	NUMBER	TERM	TT	WD REF	NUMBER	TERM	TT	EMC/ FT	NOTE	EFFECTIVITY
623	24	PK	D01489	36		31-51-33	SM00038		W	N2		
624	24	PK	D00815	8		31-51-21	SM00045		W	N2		
625	24	PK	D01487	9		31-51-31	SM00034		W	N2		
628	22	PA	D01487	20		31-51-31	GDX0006	D..	2	N2		
630	22	PA	D01487	21		31-51-31	GDX0006	D..	2	N2		
631	24	PK	D00817	9		31-51-32	SM00034		W	N2		
634	22	PA	D00817	20		31-51-32	GDX0006	D..	2	N2		
636	22	PA	D00817	21		31-51-32	GDX0006	D..	2	N2		
644	22	PQ	D00823	66		27-32-31	D04347J	42		N2		
644Z			D00823	DED		27-32-31	D04347J	DED		N2		
646	22	PQ	D01381	66		27-32-31	D04349J	42		N2		
646Z			D01381	DED		27-32-31	D04349J	DED		N2		
652	24	PV	D00811	26		31-51-11	SM00068		W	N2		
652Z			D00811	DED		31-51-11	SM00068	REF		N2		
653	24	PV	D00811	49		31-51-11	SM00069		W	N2		
653Z			D00811	DED		31-51-11	SM00069	REF		N2		
654	24	PV	D01739	27		31-51-11	SM00068		W	N2		
654Z			D01739	DED		31-51-11	SM00068	REF		N2		
655	24	PV	D01739	32		31-51-11	SM00069		W	N2		
655Z			D01739	DED		31-51-11	SM00069	REF		N2		
656	24	PK	D01739	10		31-51-11	SM00022		W	N2		
657	22	PA	D01739	14		31-51-11	GDX0006	D..	2	N2		
658	24	PV	D01741	27		31-51-11	D00811	62		N2		
658Z			D01741	DED		31-51-11	D00811	DED		N2		
659	24	PV	D01741	32		31-51-11	D00811	76		N2		
659Z			D01741	DED		31-51-11	D00811	DED		N2		
660	20	UA	D01741			31-51-11	GDX0006	S..	2	N2		
661	24	PK	D01741	10		31-51-11	D00811	66		N2		
662	22	PA	D01741	14		31-51-11	GDX0006	D..	2	N2		
663	24	PV	D00813	26		31-51-12	SM00073		W	N2		PAJ-F2
663Z			D00813	DED		31-51-12	SM00073	REF		N2		PAJ-F2
664	24	PV	D00813	49		31-51-12	SM00074		W	N2		

286T0045-OAA
Wire Bundle Assembly
Figure 131 (Sheet 14)

25-71-02

WIRE NUMBER	GA	TYP	FROM EQUIPMENT		TO EQUIPMENT		WIRE INFO										
			NUMBER	TERM	TT	WD REF	NUMBER	TERM	TT	EMC/SEP	FT	NOTE	EFFECTIVITY				
664Z			D00813	DED		31-51-12	SM00074	REF		N2							
665	24	PV	D01739	30		31-51-12	SM00073		W	N2	1					PAJ-F2	
665Z			D01739	DED		31-51-12	SM00073	REF		N2							PAJ-F2
666	24	PV	D01739	33		31-51-12	SM00074		W	N2	1						PAJ-F2
666Z			D01739	DED		31-51-12	SM00074	REF		N2							
667	24	PK	D01739	9		31-51-12	SM00025		W	N2	1						
668	22	PA	D01739	15		31-51-12	GDX0006	D..	2	N2	2						
669	24	PV	D01741	30		31-51-12	D00813	62		N2	2						
669Z			D01741	DED		31-51-12	D00813	DED		N2							
670	24	PV	D01741	33		31-51-12	D00813	76		N2	2						
670Z			D01741			31-51-12	D00813	DED		N2							
671	20	DA	D01741			31-51-12	GDX0006	S..	2	N2	1						
672	24	PK	D01741	9		31-51-12	D00813	66		N2	2						
673	22	PA	D01741	15		31-51-12	GDX0006	D..	2	N2	1						
674	24	PK	D01739	24		31-51-31	D01487	53		N2	2						
675	24	PK	D01741	24		31-51-32	D00817	53		N2	2						
676	24	PK	D01739	1		31-51-35	SM00036		W	N2	1						
677	24	PK	D01739	3		31-51-35	SM00035		W	N2	1						
679	24	PK	D01741	1		31-51-36	SM00036		W	N2	1						
680	24	PK	D01741	3		31-51-36	SM00035		W	N2	1						
681	24	PK	D01433	10		31-51-43	D04507J	10		N2	2						
682	24	PK	D01433	13		31-51-43	D04347J	46		N2	2						
683	22	PA	D01433	41		31-51-43	SM00081		W	N2	1						
684	20	PA	GDX0001	D..	2	31-51-43	D04349J	47		N2	2						
685	24	PK	D00823	58		27-32-12	D01505	A1		N2	2						
686	24	PK	D00823	8		27-32-11	SM00038		W	N2	1						
687	24	PK	D00823	64		27-32-11	SM00081		W	N2	1						
688	24	PK	D01381	58		27-32-22	D01503	A1		N2	2						
689	24	PK	D01381	45		27-32-22	SM00085		W	N2	1						
692	24	PK	D01381	8		27-32-21	SM00038		W	N2	1						
693	24	PK	D04347J	30		31-51-21	D00815	6		N2	2						
694	22	PA	D04349J	46		31-51-43	SM00081		W	N2	1						

286T0045-OAA
Wire Bundle Assembly
Figure 131 (Sheet 15)

25-71-02



BOEING
COMPONENT
MAINTENANCE MANUAL

WIRE		FROM EQUIPMENT			TO EQUIPMENT			WIRE INFO					
NUMBER	GA	TYP	NUMBER	TERM	TT	WD REF	NUMBER	TERM	TT	EMC/ SEP	FT	NOTE	EFFECTIVITY
696	20	PA	GDX0003	D..	2	27-32-12	SM00082		W	N2	1		
697	20	PA	GDX0003	D..	2	27-32-22	SM00085		W	N2	1		
701	24	PK	D00815	49		31-51-21	D00815	22		N2			
702	24	PK	D00815	16		31-51-21	D00815	48		N2			
703	24	PK	D00819	6		31-51-41	SM00019		W	N2	1		
704	24	PK	SM00075		W	31-51-41	D04511J	14		N2	1		
705	24	PK	D00819	45		31-51-41	D04511J	12		N2	2		
706	24	PK	D00819	10		31-51-41	D04349J	31		N2	2		
707	24	PK	D00819	21		31-51-41	D04509J	4		N2	2		
708	24	PK	D00819	9		31-51-41	D04349J	7		N2	2		
709	24	PK	D00819	39		31-51-41	SM00044		W	N2	1		
710	24	PK	D00819	43		31-51-41	SM00037		W	N2	1		
711	24	PK	D00819	12		31-51-41	D04349J	21		N2	2		
712	24	PK	D00819	53		31-51-41	D04349J	3		N2	2		
713	24	PK	D00819	20		31-51-41	D04347J	9		N2	2		
714	24	PK	D00819	44		31-51-41	D04349J	24		N2	2		
715	24	PK	D04507J	6		31-51-42	SM00019		W	N2	1		
716	24	PK	D01433	34		31-51-42	SM00019		W	N2	1		
717	24	PK	D01433	37		31-51-42	SM00034		W	N2	1		
718	24	PK	D01433	39		31-51-42	D04509J	2		N2	2		
720	24	PK	D01433	52		31-51-42	SM00040		W	N2	1		
721	24	PK	D01433	38		31-51-42	D04347J	24		N2	2		
722	24	PK	D01433	5		31-51-42	D04349J	22		N2	2		
723	24	PK	D04511J	11		31-51-42	SM00038		W	N2	1		
724	24	PK	D01433	40		31-51-42	SM00038		W	N2	1		
725	24	PK	D01433	3		31-51-42	D04347J	13		N2	2		
726	22	PA	D04347J	14		31-51-21	SM00036		W	N2	1		
727	22	PA	D04301J	11		31-51-21	SM00035		W	N2	1		
728	24	PK	D04347J	1		31-51-41	D00819	35		N2	2		
729	24	PK	D04347J	2		31-51-41	D00819	1		N2	2		
730	24	PK	D04347J	3		31-51-41	D00819	36		N2	2		
731	24	PK	D04347J	4		31-51-41	D00819	2		N2	2		

286T0045-OAA
Wire Bundle Assembly
Figure 131 (Sheet 16)

25-71-02

WIRES		FROM EQUIPMENT		TO EQUIPMENT		WIRE INFO							
NUMBER	GA	TYP	NUMBER	TERM	TT	WD REF	NUMBER	TERM	TT	EMC/ SEP	FT	NOTE	EFFECTIVITY
732	24	PK	D04347J	5		31-51-42	D01433	20		N2	2		
733	24	PK	D04347J	16		34-16-11	D00821	65		N2	2		
734	24	PK	D04347J	8		31-51-31	SM00046		W	N2	1		
735	24	PK	D04507J	7		34-16-11	D00821	34		N2	2		
736	24	PK	D04507J	2		34-16-11	D00821	66		N2	2		
737	24	PK	SM00041		W	34-16-11	D00821	31		N2	1		
738	24	PK	D04347J	19		34-16-11	D00821	7		N2	2		
739	24	PK	SM00075		W	34-16-11	D00821	6		N2	1		
740	24	PK	SM00038		W	34-16-11	D00821	40		N2	1		
741	24	PK	D00821	18		34-16-11	D00821	22		N2			
742	24	PK	D00821	50		34-16-11	D00821	48		N2			
746	24	PK	D04597J	10		31-51-31	SM00043		W	N2	1		
747	24	PK	D01487	46		31-51-31	SM00043		W	N2	1		
748	24	PK	D04347J	7		31-51-31	SM00045		W	N2	1		
749	24	PK	D01487	10		31-51-31	SM00045		W	N2	1		
750	24	PK	D01487	19		31-51-31	SM00046		W	N2	1		
751	24	PK	D01487	13		31-51-31	SM00040		W	N2	1		
752	24	PK	D01487	47		31-51-31	SM00044		W	N2	1		
753	24	PK	D01487	51		31-51-31	SM00041		W	N2	1		
757	24	PK	D01487	49		31-51-31	SM00039		W	N2	1		
758	24	PK	D01487	22		31-51-31	D01489	23		N2	2		
759	24	PK	D01487	55		31-51-31	D01489	47		N2	2		
760	24	PK	D01487	34		31-51-31	D01489	51		N2	2		
761	24	PK	D01487	66		31-51-31	D01489	57		N2	2		
762	24	PK	D00817	10		31-51-32	SM00045		W	N2	1		
763	24	PK	D00817	46		31-51-32	SM00043		W	N2	1		
766	24	PV	D00817	49		31-51-32	SM00053		W	N2	1		
766Z			D00817	DED		31-51-32	SM00053	DED		N2			
767	24	PK	D00817	19		31-51-32	SM00046		W	N2	1		
768	24	PK	D00817	13		31-51-32	SM00040		W	N2	1		
769	24	PK	D00817	47		31-51-32	SM00044		W	N2	1		
770	24	PK	D00817	51		31-51-32	SM00041		W	N2	1		

286T0045-OAA
Wire Bundle Assembly
Figure 131 (Sheet 17)

25-71-02



BOEING
COMPONENT
MAINTENANCE MANUAL

WIRE		FROM EQUIPMENT			TO EQUIPMENT			WIRE INFO				
NUMBER	GA	TYP	NUMBER	TERM	TT	WD REF	NUMBER	TERM	TT	EMC/ FT	NOTE	EFFECTIVITY
772	24	PK	D00817	22		31-51-32	D01489	54		N2		
773	24	PK	D00817	55		31-51-32	D01489	13		N2		
774	24	PK	D00817	34		31-51-32	D01489	25		N2		
775	24	PK	D00817	66		31-51-32	D01489	58		N2		
776	24	PK	D01489	42		31-51-33	D04347J	15		N2		
777	24	PK	D01489	8		31-51-33	D04349J	13		N2		
779	24	PK	D01489	35		31-51-33	D04349J	40		N2		
780	24	PK	D01489	53		31-51-33	D04349J	2		N2		
781	24	PK	D01489	31		31-51-33	D01489	48		N2		
782	24	PK	D01489	18		31-51-33	D01489	22		N2		
783	24	PK	D01489	38		31-51-33	SM00008		W	N2	1	
784	24	PK	D01489	4		31-51-33	SM00011		W	N2	1	
785	24	PK	D01489	37		31-51-33	SM00012		W	N2	1	
786	24	PK	D01489	3		31-51-33	SM00010		W	N2	1	
787	24	PK	D01489	1		31-51-33	SM00009		W	N2	1	
788	24	PK	D01489	6		31-51-33	SM00034		W	N2	1	
789	24	PK	D01489	41		31-51-33	D04509J	11		N2	2	
791	24	PK	D01489	7		31-51-33	D04509J	10		N2	2	
792	24	PK	D01489	40		31-51-33	D04509J	9		N2	2	
793	24	PK	D00819	11		31-51-41	SM00075		W	N2	1	
794	20	PA	D04303J	10		31-51-32	GDX0004	S..	2	N2	2	
795	24	PK	D01433	9		31-51-42	D01433	48		N2		
796	24	PK	D01433	22		31-51-42	D01433	50		N2		
797	24	PV	D00815	41		31-51-21	SM00053		W	N2	1	
797Z			D00815	DED		31-51-21	SM00053	DED		N2		
798	24	PV	D04349J	9		31-51-21	SM00053		W	N2	1	
798Z			D04349J	DED		31-51-21	SM00053	DED		N2		PAJ-F2
817	24	PK	D00823	55		27-32-12	D11553	6		N2	2	
818	24	PK	D00823	21		27-32-12	D11553	4		N2	2	
819	24	PK	D00823	51		27-32-12	D11553	3		N2	2	
820	24	PK	D00823	50		27-32-12	D11553	2		N2	2	
821	24	PK	D00823	49		27-32-12	D11553	7		N2	2	

286T0045-OAA
Wire Bundle Assembly
Figure 131 (Sheet 18)

25-71-02

WIRE		FROM EQUIPMENT		TO EQUIPMENT		WIRE INFO							
NUMBER	GA	TYP	NUMBER	TERM	TT	WD REF	NUMBER	TERM	TT	EMC/SEP	FT	NOTE	EFFECTIVITY
822	24	PK	D00823	47		27-32-12	D11553	8		N2	2		
823	24	PK	D00823	46		27-32-12	D11553	9		N2	2		
824	24	PK	D00823	53		27-32-12	D11553	5		N2	2		
825	24	PK	D00823	62		27-32-12	D11553	24		N2	2		
826	24	PK	D01381	55		27-32-22	D11553	16		N2	2		
827	24	PK	D01381	21		27-32-22	D11553	14		N2	2		
828	24	PK	D01381	51		27-32-22	D11553	13		N2	2		
829	24	PK	D01381	50		27-32-22	D11553	12		N2	2		
830	24	PK	D01381	49		27-32-22	D11553	17		N2	2		
831	24	PK	D01381	47		27-32-22	D11553	18		N2	2		
832	24	PK	D01381	46		27-32-22	D11553	19		N2	2		
833	24	PK	D01381	53		27-32-22	D11553	15		N2	2		
834	24	PK	D01381	62		27-32-22	D11553	34		N2	2		
835	24	PK	D04349J	50		27-32-21	D01381	64		N2	2		
836	20	PA	D04349J	53		27-32-21	GDX0002	S..	2	N2	2		
837	24	PK	D00823	42		27-32-12	SM00082		W	N2	1		
838	24	PK	D01381	42		27-32-22	SM00085		W	N2	1		
842	24	PK	D01381	6		27-32-22	SM00085		W	N2	1		
843	24	PK	D00823	6		27-32-12	SM00082		W	N2	1		
862	22	PA	D02261	30		31-41-35	GDX0006	S..	2	N2	1		
863	22	PA	D02261	32		31-41-35	GDX0006	S..	2	N2	1		
864	22	PA	D02261	33		31-41-35	GDX0006	S..	2	N2	1		
865	22	PA	D02261	64		31-41-35	GDX0006	S..	2	N2	1		
866	24	PV	D02261	27		31-51-11	SM00018	REF	W	N2	1		
866Z	24	PV	D02261	DED		31-51-11	SM00018	REF	W	N2	1		
867	24	PV	D02261	28		31-51-11	SM00047	REF	W	N2	1		
867Z	24	PV	D02261	DED		31-51-11	SM00047	REF	W	N2	1		
868	24	PV	D02261	29		31-51-12	SM00054	REF	W	N2	1		
868Z	24	PV	D02261	DED		31-51-12	SM00054	REF	W	N2	1		
869	24	PK	D02261	34		31-51-12	SM00025	REF	W	N2	1		
870	22	PA	D02261	56		31-51-12	GDX0001	S..	2	N2	2		
871	22	PA	D02261	57		31-51-12	GDX0003	S..	2	N2	2		

286T0045-OAA
Wire Bundle Assembly
Figure 131 (Sheet 19)

25-71-02



BOEING
COMPONENT
MAINTENANCE MANUAL

WIRE		FROM EQUIPMENT		TO EQUIPMENT		WIRE INFO								
NUMBER	GA	TYP	NUMBER	TERM	TT	WD	REF	NUMBER	TERM	TT	EMC/SEP	FT	NOTE	EFFECTIVITY
872	22	PA	D02261	59		31-51-11		GDX0005	S..	2	N2	1		
873	24	PV	D02261	60		31-51-12		SM00055		W	N2	1		
873Z			D02261	DED		31-51-12		SM00055	REF		N2			
874	24	PV	D02261	62		31-51-11		SM00049		W	N2	1		
874Z			D02261	DED		31-51-11		SM00049	REF		N2			
875	24	PV	D02261	63		31-51-12		SM00056		W	N2	1		
875Z			D02261	DED		31-51-12		SM00056	REF		N2			
876	24	PK	D02261	65		31-51-11		SM00022		W	N2	1		
877	24	PV	D00811	14		31-51-11		SM00018		W	N2	2		
877Z			D00811	DED		31-51-11		SM00018	REF		N2			
878	24	PV	D00811	48		31-51-11		SM00047		W	N2	2		
878Z			D00811	DED		31-51-11		SM00047	REF		N2			
879	24	PV	D00811	23		31-51-11		SM00049		W	N2	2		
879Z			D00811	DED		31-51-11		SM00049	REF		N2			
880	24	PV	D00813	14		31-51-12		SM00054		W	N2	2		
880Z			D00813	DED		31-51-12		SM00054	REF		N2			
881	24	PV	D00813	48		31-51-12		SM00055		W	N2	2		
881Z			D00813	DED		31-51-12		SM00055	REF		N2			
882	24	PV	D00813	23		31-51-12		SM00056		W	N2	2		
882Z			D00813	DED		31-51-12		SM00056	REF		N2			
883	22	PA	D02261	15		38-32-11		D04349J	26		N2	2		
884	22	PA	D02261	47		38-32-11		D04347J	27		N2	2		
885	24	PK	D04303J	9		31-51-21		SM00057		W	N2	1		
886	24	PK	D04507J	3		31-51-21		SM00058		W	N2	1		
887	24	PK	D04507J	1		31-51-21		SM00058		W	N2	1		
888	24	PK	SM00057		W	31-51-21		D04349J	44		N2	1		

286T0045-OAA
Wire Bundle Assembly
Figure 131 (Sheet 20)

25-71-02

WIRE		FROM EQUIPMENT			TO EQUIPMENT			WIRE INFO					
NUMBER	GA	TYP	NUMBER	TER	TT	WDM REF	NUMBER	TERM	TT	EMC/SEP	FT	NOTE	EFFECTIVITY
FRA			M01103			31-51-12	M01103	GND	D	N2			
FRB			D00813			31-51-12	D00813	59		N2			
FRC			M01102			31-51-11	M01102	GND	D	N2			
FRD			D00811			31-51-11	D00811	59		N2			
FRG			D04349J	58		31-41-35	D04349J			N2			
FRH			D04349J	61		28-41-11	D04349J			N2			
PA1			D00815	47		99-99-99	D00815	63		N2		DAW-B2	
PA2			D00817	8		99-99-99	D00817	57		N2		DAW-B2	
PA3			D00819	41		99-99-99	D00819	55		N2		DAW-B2	
PA4			D00821	43		99-99-99	D00821	60		N2		DAW-B2	
PA5			D00823	52		99-99-99	D00823	65		N2		DAW-B2	
PA6			D01433	44		99-99-99	D01433	61		N2		DAW-B2	
PA7			D01381	52		99-99-99	D01381	65		N2		DAW-B2	
PA8			D01487	8		99-99-99	D01487	57		N2		DAW-B2	
PA9			D01489	56		99-99-99	D01489	65		N2		DAW-B2	
PB4			D02261	54		99-99-99	D02261	61		N2		DAW-B2	
P01		SE	D11553							N2			
1	22	PA	D00811	60		31-51-11	GDX0001	S..	2	N2	4	UAE-F2	
2	22	PA	D00821	14		31-51-11	GDX0002	D..	2	N2	4		
3	24	PV	D00811	26		31-51-11	D00821	27		N2	5		
003Z			D00811	DED		31-51-11	D00821			N2			
4	24	PV	D00811	49		31-51-11	D00821	32		N2	5		
004Z			D00811	DED		31-51-11	D00821			N2			
5	24	PV	D00811	35		31-51-11	D00821	17		N2	5		
005Z			D00811	DED		31-51-11	D00821			N2			
6	24	PK	SM00022		W	31-51-11	D00821	51		N2	3		
7	24	PK	D00811	65		31-51-11	SM00022		W	N2	4		
8	24	PK	D00819	37		31-51-11	SM00022		W	N2	3		
9	24	PV	D00819	27		31-51-11	D00811	13		N2	4		
009Z			D00811	DED		31-51-11	D00819			N2			
10	22	PA	D00819	14		31-51-11	GDX0001	D..	2	N2	3		
11	24	PK	D01433	51		31-51-11	SM00022		W	N2	3		

286T0045-0AB
Wire Bundle Assembly
Figure 132 (Sheet 1)

25-71-02



BOEING
COMPONENT
MAINTENANCE MANUAL

WIRE NUMBER	GA	TYP	FROM EQUIPMENT			TO EQUIPMENT			WIRE INFO				
			NUMBER	TER	TT	WDM REF	NUMBER	TERM	TT	EMC/SEP	FT	NOTE	EFFECTIVITY
12	24	PV	SM00018	M	W	31-51-11	D01433	27		N2	4		
012Z	24	PV	SM00018	REF	W	31-51-11	D01433			N2			
13	24	PV	SM00047		W	31-51-11	D01433	32		N2	3		
013Z	24	PV	SM00047	REF	W	31-51-11	D01433			N2			
14	24	PV	SM00049		W	31-51-11	D01433	17		N2	4		
014Z	22	PA	SM00049	REF		31-51-11	D01433			N2			
15	20	PA	D01433	14	W	31-51-11	GDX0001	D..	2	N2	3		
16	20	PA	SM00028		2	31-51-11	GDX0005	D..	2	N2			
17	20	UA	GDX0002	S..	2	31-51-11	D00821			N2	3		
18	20	UA	GDX0005	S..	2	31-51-11	D00819			N2	3		
19	20	UA	D01433		2	31-51-11	GDX0002	S..	2	N2			
20	20	PA	GDX0005	D..	2	31-51-11	SM00029			N2	3		
21	20	UA	GDX0002	S..	2	31-51-11	D01503			N2	4		
23	20	UA	D00815		2	31-51-11	GDX0002	S..	2	N2	3		
24	24	PK	D04349J	38	W	31-51-11	SM00005			N2	3		
25	24	PK	D01503	A2	W	31-51-11	SM00005			N2	3		
26	20	PA	D01503	A3	W	31-51-11	SM00005			N2	3		
27	22	PQ	D01503	X2	2	31-51-11	GDX0003	D..	2	N2	4		
027Z	24	PV	D00811	DED		31-51-11	D00811	75		N2	5		
28	24	PV	D01503	X1	W	31-51-11	SM00015			N2	3		
028Z	24	PV	SM00015	REF		31-51-11	D01503			N2			
29	24	PV	D00811	46	W	31-51-11	SM00015			N2	3		
029Z	24	PV	SM00015	REF		31-51-11	D00811	DED		N2			
30	24	PK	SM00015		W	31-51-11	D00811			N2	3		
32	20	PA	D11553	11		31-51-11	D11553	35		N2	3		
33	24	PK	D11553	37		31-51-11	GDX0003	D..	2	N2	4		
34	24	PK	D11553	36		31-51-11	D00811	34		N2	5		
35	22	PA	D00815	14		31-51-11	D00811	33		N2	5		
36	24	PV	D00815	27		31-51-11	GDX0001	D..	2	N2	4		
036Z	24	PV	D00815	DED		31-51-11	D00811	12		N2	4		
37	24	PV	D00815	32		31-51-11	D00815			N2			
037Z	24	PV	D00811	DED		31-51-11	D00811	17		N2	4		

286T0045-0AB
Wire Bundle Assembly
Figure 132 (Sheet 2)

25-71-02

WIRE		FROM EQUIPMENT			TO EQUIPMENT			WIRE INFO					
NUMBER	GA	TYP	NUMBER	TER	TT	WDM REF	NUMBER	TERM	TT	EMC/SEP	FT	NOTE	EFFECTIVITY
38	24	FV	D00815	17		31-51-11	D00811	22		N2	4		
038Z			D00811	DED		31-51-11	D00815			N2			
39	24	PK	D00815	54		31-51-11	SM00020		W	N2	3		
40	24	PK	D00811	63		31-51-11	SM00020		W	N2	3		
41	24	PK	D00823	35		31-51-11	SM00020		W	N2	2		
42	24	PK	D01381	35		31-51-11	SM00020		W	N2	2		
45	22	PA	D01381	14		31-51-11	GDX0001	D..	2	N2	3		
46	22	PA	D01381	48		31-51-11	GDX0003	D..	2	N2	3		
47	24	FV	D01381	27		31-51-11	D00811	11		N2	4		
047Z			D00811	DED		31-51-11	D01381			N2			
48	24	FV	D01381	32		31-51-11	D00811	16		N2	4		
048Z			D00811	DED		31-51-11	D01381			N2			
49	24	FV	D01381	17		31-51-11	D00811	21		N2	4		
049Z			D00811	DED		31-51-11	D01381			N2			
52	22	PA	D00823	14		31-51-11	GDX0001	D..	2	N2	3		
53	22	PA	D00823	48		31-51-11	GDX0003	D..	2	N2	3		
54	24	FV	D00823	27		31-51-11	D00811	10		N2	4		
054Z			D00811	DED		31-51-11	D00823			N2			
55	24	FV	D00823	32		31-51-11	D00811	15		N2	4		
055Z			D00811	DED		31-51-11	D00823			N2			
56	24	FV	D00823	17		31-51-11	D00811	20		N2	4		
056Z			D00811	DED		31-51-11	D00823			N2			
57	22	PA	D00817	14		31-51-11	GDX0002	D..	2	N2	4		
58	24	FV	D00817	27		31-51-11	D00811	51		N2	5		
058Z			D00811	DED		31-51-11	D00817			N2			
59	24	FV	D00817	32		31-51-11	D00811	74		N2	5		
059Z			D00811	DED		31-51-11	D00817			N2			
60	24	PK	D00817	45		31-51-11	SM00021		W	N2	3		
61	24	PK	D00811	64		31-51-11	SM00021		W	N2	3		
62	24	PK	D01489	16		31-51-11	SM00021		W	N2	3		
63	24	PK	D01487	45		31-51-11	SM00021		W	N2	3		
64	24	FV	D01487	27		31-51-11	D00811	47		N2	5		

286T0045-0AB
Wire Bundle Assembly
Figure 132 (Sheet 3)

25-71-02



BOEING
COMPONENT
MAINTENANCE MANUAL

WIRE		FROM EQUIPMENT			TO EQUIPMENT		WIRE INFO						
NUMBER	GA	TYP	NUMBER	TER	TT	WDM REF	NUMBER	TERM	TT	EMC/SEP	FT	NOTE	EFFECTIVITY
064Z			D00811	DED		31-51-11	D01487			N2			
65	24	PV	D01487	32		31-51-11	D00811	70		N2	5		
065Z			D00811	DED		31-51-11	D01487			N2			
66	22	PA	D01487	14		31-51-11	GDX0003	D..	2	N2	4		
67	24	PV	D01489	27		31-51-11	D00811	45		N2	5		
067Z			D00811	DED		31-51-11	D01489			N2			
68	24	PV	D01489	32		31-51-11	D00811	50		N2	5		
068Z			D00811	DED		31-51-11	D01489			N2			
69	24	PV	D01489	17		31-51-11	D00811	36		N2	5		
069Z			D00811	DED		31-51-11	D01489			N2			
70	22	PA	D01489	14		31-51-11	GDX0003	D..	2	N2	4		
71	20	UA	D01381			31-51-11	GDX0002	S..	2	N2	3		
72	20	UA	D00823			31-51-11	GDX0002	S..	2	N2	3		
73	20	UA	D00817			31-51-11	GDX0002	S..	2	N2	3		
74	20	PA	SM00026		W	31-51-11	GDX0005	D..	2	N2	4		
75	20	UA	D01487			31-51-11	GDX0005	S..	2	N2	4		
76	20	UA	GDX0005	S..	2	31-51-11	D01489			N2	4		
77	24	PK	D02261	40		31-41-35	D04349J	1		N2	4		
78	20	PA	SM00027		W	31-51-11	GDX0005	D..	2	N2	4		
79	22	PA	D00813	60		31-51-12	GDX0003	S..	2	N2	4	UAE-F2	
80	22	PA	D00821	15		31-51-12	GDX0002	D..	2	N2	4		
81	24	PV	D00821	30		31-51-12	D00813	26		N2	5		
081Z			D00813	DED		31-51-12	D00821			N2			
82	24	PV	D00821	33		31-51-12	D00813	49		N2	5		
082Z			D00813	DED		31-51-12	D00821			N2			
83	24	PV	D00821	24		31-51-12	D00813	35		N2	5		
083Z			D00813	DED		31-51-12	D00821			N2			
84	24	PK	D00821	19		31-51-12	SM00025		W	N2	3		
85	24	PK	D00813	65		31-51-12	SM00025		W	N2	4		
86	24	PK	D00819	3		31-51-12	SM00025		W	N2	3		
87	24	PK	D01433	18		31-51-12	SM00025		W	N2	2		
88	22	PA	D01433	15		31-51-12	GDX0002	D..	2	N2	3		

286T0045-0AB
Wire Bundle Assembly
Figure 132 (Sheet 4)

25-71-02

WIRE		FROM EQUIPMENT			TO EQUIPMENT			WIRE INFO					
NUMBER	GA	TYP	NUMBER	TER	TT	WDM REF	NUMBER	TERM	TT	EMC/SEP	FT	NOTE	EFFECTIVITY
89	24	PV	D01433	30		31-51-12	SM00054		W	N2	5		
089Z			SM00054	REF		31-51-12	D01433			N2			
90	24	PV	D01433	33		31-51-12	SM00055		W	N2	5		
090Z			SM00055	REF		31-51-12	D01433			N2			
91	24	PV	D01433	24		31-51-12	SM00056		W	N2	5		
091Z			SM00056	REF		31-51-12	D01433			N2			
92	22	PA	D00819	15		31-51-12	GDX0002	D..	2	N2	3		
93	24	PV	D00819	30		31-51-12	D00813	13		N2	4		
093Z			D00813	DED		31-51-12	D00819			N2			
94	20	PA	SM00032		W	31-51-12	GDX0005	D..	2	N2			
95	24	PV	D01505	X2		31-51-12	D00813	75		N2	5		
095Z			D00813	DED		31-51-12	D01505			N2			
96	24	PV	D01505	X1		31-51-12	SM00016		W	N2	3		
096Z			SM00016	REF		31-51-12	D01505			N2			
97	24	PV	D00813	46		31-51-12	SM00016		W	N2	4		
097Z			SM00016	REF		31-51-12	D00813	DED		N2			
98	20	PA	SM00033		W	31-51-12	GDX0005	D..	2	N2			
99	24	PK	SM00016		W	31-51-12	D11553	25		N2	3		
10A	24	PK	D01489	21		31-51-33	D04349J	23		N2	4		
100	20	PA	D11553	1		31-51-12	GDX0003	D..	2	N2	4		
101	20	VA	D00821			31-51-12	GDX0004	S..	2	N2	4		
102	20	VA	D00819			31-51-12	GDX0004	S..	2	N2	3		
103	20	VA	D01433			31-51-12	GDX0004	S..	2	N2	3		
104	20	VA	D01505			31-51-12	GDX0005	S..	2	N2	4		
106	20	VA	D00815			31-51-12	GDX0004	S..	2	N2	3		
107	20	VA	D01381			31-51-12	GDX0004	S..	2	N2	3		
109	20	VA	D00817			31-51-12	GDX0004	S..	2	N2	4		
110	20	VA	D01487			31-51-12	GDX0001	S..	2	N2	4		
111	20	VA	D01489			31-51-12	GDX0001	S..	2	N2	4		
112	22	PA	D00815	15		31-51-12	GDX0001	D..	2	N2	4		
113	24	PK	D01505	A2		31-51-12	GDX0001	D..	2	N2	3		
114	20	PA	D01505	A3		31-51-12	GDX0003	D..	2	N2	4		

286T0045-0AB
Wire Bundle Assembly
Figure 132 (Sheet 5)

25-71-02



BOEING
COMPONENT
MAINTENANCE MANUAL

WIRE		FROM EQUIPMENT			TO EQUIPMENT		WIRE INFO						
NUMBER	GA	TYP	NUMBER	TER	TT	WDM REF	NUMBER	TERM	TT	EMC / SEP	FT	NOTE	EFFECTIVITY
115	24	PK	D02261	21		21-61-51	D04347J	25		N2	4		
116	24	PK	D00815	21		31-51-12	SM00023		W	N2	3		
117	24	PK	D00813	63		31-51-12	SM00023		W	N2	4		
118	24	PK	D00823	1		31-51-12	SM00023		W	N2	2		
119	24	PK	D01381	1		31-51-12	SM00023		W	N2	2		
120	22	PA	D01381	15		31-51-12	GDX0001	D..	2	N2	3		
121	24	PK	D00817	56		31-51-12	SM00024		W	N2	3		
122	24	PK	D00813	64		31-51-12	SM00024		W	N2	4		
123	24	PK	D01487	56		31-51-12	SM00024		W	N2	3		
124	22	PA	D00823	15		31-51-12	GDX0001	D..	2	N2	3		
125	20	UA	D00823	33		31-51-12	GDX0004	S..	2	N2	3		
126	24	PV	D00823	33		31-51-12	D00813	15		N2	5		
126Z	24	PV	D00823	24		31-51-12	D00813	DED		N2	5		
127	24	PV	D00823	24		31-51-12	D00813	20		N2	5		
127Z	22	PA	D00817	15		31-51-12	D00813	DED		N2	4		
128	24	PA	D00817	30		31-51-12	GDX0002	D..	2	N2	5		
129	24	PV	D00817	33		31-51-12	D00813	51		N2	5		
129Z	24	PV	D00817	33		31-51-12	D00813	DED		N2	5		
130	24	PV	D00817	33		31-51-12	D00813	74		N2	5		
130Z	24	PV	D00817	33		31-51-12	D00813	DED		N2	5		
131	24	PV	D00813	11		31-51-12	D01381	30		N2	5		
131Z	24	PV	D01381	16		31-51-12	D00813	DED		N2	5		
132	24	PV	D00813	16		31-51-12	D01381	33		N2	5		
132Z	24	PV	D01381	24		31-51-12	D00813	DED		N2	5		
133	24	PV	D01381	24		31-51-12	D00813	21		N2	5		
133Z	24	PV	D01381	50		31-51-12	D00813	DED		N2	3		
134	24	PK	D01489	30		31-51-12	SM00024	47	W	N2	5		
135	24	PV	D01487	30		31-51-12	D00813	DED		N2	5		
135Z	24	PV	D01487	33		31-51-12	D00813	DED		N2	5		
136	24	PV	D01487	33		31-51-12	D00813	70		N2	5		
136Z	24	PV	D01487	33		31-51-12	D00813	DED		N2	5		
137	22	PA	D01487	15		31-51-12	GDX0003	D..	2	N2	4		

286T0045-0AB
Wire Bundle Assembly
Figure 132 (Sheet 6)

25-71-02

WIRE		FROM EQUIPMENT			TO EQUIPMENT			WIRE INFO					
NUMBER	GA	TYP	NUMBER	TER	TT	WDM REF	NUMBER	TERM	TT	EMC/SEP	FT	NOTE	EFFECTIVITY
138	24	PV	D01489	30		31-51-12	D00813	45		N2	5		
138Z			D01489			31-51-12	D00813	DED		N2			
139	24	PV	D01489	33		31-51-12	D00813	50		N2	5		
139Z			D01489			31-51-12	D00813	DED		N2			
140	24	PV	D01489	24		31-51-12	D00813	36		N2	5		
140Z			D01489			31-51-12	D00813	DED		N2			
141	22	PA	D01489	15		31-51-12	GDX0003	D..	2	N2	4		
142	24	PK	D00813	33		31-51-12	D11553	26		N2	6		
143	24	PK	D11553	27		31-51-12	D00813	34		N2	6		
144	24	PV	D00813	12		31-51-12	D00815	30		N2	5		
144Z			D00813	DED		31-51-12	D00815			N2			
145	20	PA	SM00030		W	31-51-12	GDX0005	D..	2	N2			
146	24	PV	D00813	17		31-51-12	D00815	33		N2	5		
146Z			D00813	DED		31-51-12	D00815			N2			
147	24	PV	D00813	22		31-51-12	D00815	24		N2	5		
147Z			D00813	DED		31-51-12	D00815			N2			
148	24	PV	D00813	10		31-51-12	D00823	30		N2	5		
148Z			D00813	DED		31-51-12	D00823			N2			
149	20	PA	SM00031		W	31-51-12	GDX0005	D..	2	N2			
150	22	PA	D04301J	6		27-32-11	D00823	34		N2	4		
151	24	PK	D04509J	1		27-32-11	D00823	39		N2	3		
152	24	PK	D04347J	26		27-32-11	D00823	40		N2	4		
153	24	PK	D00823	31		27-32-11	D04509J	6		N2	3		
154	20	PA	D04509J	7		27-32-11	GDX0001	D..	2	N2	4		
155	24	PK	SM00037		W	27-32-11	D04511J	3		N2	3		
156	24	PK	D00823	38		27-32-11	D04511J	2		N2	4		
157	24	PK	D04511J	4		27-32-11	SM00050		W	N2	4		
158	24	PK	SM00037		W	27-32-11	D00823	4		N2	2		
159	24	PK	D04349J	14		27-32-11	D00823	36		N2	4		
160	24	PK	D04349J	15		27-32-11	D00823	3		N2	4		
161	24	PK	D04349J	16		27-32-11	D00823	43		N2	4		
162	24	PK	D04349J	10		27-32-11	D00823	2		N2	4		

286T0045-0AB
Wire Bundle Assembly
Figure 132 (Sheet 7)

25-71-02



BOEING
COMPONENT
MAINTENANCE MANUAL

WIRE		FROM EQUIPMENT			TO EQUIPMENT			WIRE INFO					
NUMBER	GA	TYP	NUMBER	TER	TT	WDM REF	NUMBER	TERM	TT	EMC/SEP	FT	NOTE	EFFECTIVITY
165	22	PA	D04349J	11		27-32-21	D01381	34		N2	4		
166	24	PK	D01381	40		27-32-21	D04349J	6		N2	4		
167	24	PK	D01381	31		27-32-21	D04511J	7		N2	4		
168	20	PA	GDX0002	D..	2	27-32-21	D04511J	8		N2	4		
169	24	PK	D04349J	34		27-32-21	D01381	36		N2	4		
170	24	PK	D04349J	35		27-32-21	D01381	3		N2	4		
171	24	PK	D04349J	36		27-32-21	D01381	43		N2	4		
172	24	PK	D04349J	37		27-32-21	D01381	2		N2	4		
173	24	PK	D04511J	13		27-32-21	D01381	4		N2	4		
174	24	PK	D04511J	16		27-32-21	D01381	37		N2	4		
175	24	PK	D04511J	15		27-32-21	D01381	38		N2	4		
176	24	PK	D04509J	8		27-32-21	D01381	39		N2	4		
177	24	PK	D00815	34		31-51-21	SM00057		W	N2	4		
178	24	PK	D00815	43		31-51-21	D01433	19		N2	4		
179	24	PK	D00815	10		31-51-21	D00819	5		N2	3		
180	24	PK	D04507J	5		31-51-21	SM00034		W	N2	3		
181	24	PK	SM00058		W	31-51-21	D00815	66		N2	5		
182	24	PK	D00815	4		31-51-21	SM00034		W	N2	3		
183	24	PK	D00815	11		31-51-21	D04349J	39		N2	5		
184	22	PA	D00815	37		31-51-21	SM00035		W	N2	3		
185	22	PA	D00815	42		31-51-21	SM00036		W	N2	3		
186	24	PK	D04349J	5		31-51-21	SM00012		W	N2	3		
187	24	PK	D00815	2		31-51-21	SM00012		W	N2	3		
188	24	PK	SM00011		W	31-51-21	D04349J	4		N2	3		
189	24	PK	SM00011		W	31-51-21	D00815	35		N2	3		
190	24	PK	D04349J	12		31-51-21	SM00009		W	N2	3		
191	24	PK	D00815	44		31-51-21	SM00009		W	N2	3		
192	24	PK	D04347J	10		31-51-21	SM00008		W	N2	3		
193	24	PK	D00815	1		31-51-21	SM00008		W	N2	3		
194	24	PK	D04347J	11		31-51-21	SM00010		W	N2	3		
195	24	PK	D00815	36		31-51-21	SM00010		W	N2	3		
196	24	PK	SM00039		W	31-51-21	D04347J	21		N2	3		

286T0045-OAB
Wire Bundle Assembly
Figure 132 (Sheet 8)

25-71-02

WIRE		FROM EQUIPMENT			TO EQUIPMENT			WIRE INFO					
NUMBER	GA	TYP	NUMBER	TER	TT	WDM REF	NUMBER	TERM	TT	EMC/SEP	FT	NOTE	EFFECTIVITY
197	24	PK	D00815	45		31-51-21	SM00039		W	N2	3		
198	24	PK	D00815	46		31-51-21	D04347J	6		N2	5		
199	20	PA	GDX0004	S..	2	31-51-31	D04597J	14		N2	4		
201B	24	PW	D01489	43		31-51-33	SM00004		W	N2	4		
201R	24	PW	D01489	9		31-51-33	SM00003		W	N2			
201Z			D01489	DED		31-51-33	SM00003	REF		N2			
204	20	UA	D04507J			27-32-11	GDX0004	S..	2	N2	4		
204B	24	PW	D00823	18		27-32-11	D04507J	12		N2	3		
204R	24	PW	D00823	16		27-32-11	D04507J	11		N2			
204Z			D04507J			27-32-11	D00823	DED		N2			
205B	24	PW	D00815	19		31-51-21	SM00007		W	N2	3		
205R	24	PW	D00815	52		31-51-21	SM00006		W	N2			
205Z			D00815	DED		31-51-21	SM00006	REF		N2			
207	20	UA	D04597J			31-51-21	GDX0004	S..	2	N2	4		
207B	24	PW	SM00007		W	31-51-21	D04597J	4		N2	3		
207R	24	PW	SM00006		W	31-51-21	D04597J	3		N2			
207Z			SM00006	REF		31-51-21	D04597J			N2			
208	20	UA	D04301J			34-16-11	GDX0002	S..	2	N2	4		
208B	24	PW	D00821	36		34-16-11	D04301J	9		N2	4		
208R	24	PW	D00821	2		34-16-11	D04301J	8		N2			
208Z			D00821	DED		34-16-11	D04301J			N2			
209B	24	PW	D01489	46		31-51-33	SM00007		W	N2	4		
209R	24	PW	D01489	12		31-51-33	SM00006		W	N2			
209Z			D01489	DED		31-51-33	SM00006	REF		N2			
212B	24	PW	D01433	36		31-51-42	SM00007		W	N2	2		
212R	24	PW	D01433	2		31-51-42	SM00006		W	N2			
212Z			D01433	DED		31-51-42	SM00006	REF		N2			
213	20	UA	D04507J			34-16-11	GDX0004	S..	2	N2	4		
213B	24	PW	D00821	35		34-16-11	D04507J	8		N2	4		
213R	24	PW	D00821	1		34-16-11	D04507J	9		N2			
213Z			D00821	DED		34-16-11	D04507J			N2			
214	20	UA	D04349J			34-16-11	GDX0004	S..	2	N2	4		

286T0045-0AB
Wire Bundle Assembly
Figure 132 (Sheet 9)

25-71-02



BOEING
COMPONENT
MAINTENANCE MANUAL

WIRE		FROM EQUIPMENT			TO EQUIPMENT		WIRE INFO						
NUMBER	GA	TYP	NUMBER	TER	TT	WDM REF	NUMBER	TERM	TT	EMC/SEP	FT	NOTE	EFFECTIVITY
214B	24	PW	D00821	37		34-16-11	D04349J	19		N2	4		
214R	24	PW	D00821	3		34-16-11	D04349J	18		N2			
214Z			D00821	DED		34-16-11	D04349J			N2			
215B	24	PL	D01487	24		31-51-31	D04597J	12		N2	4		
215R	24	PL	D01487	23		31-51-31	D04597J	13		N2			
216B	24	PL	D00817	24		31-51-32	D04303J	12		N2	4		
216R	24	PL	D00817	23		31-51-32	D04303J	11		N2	4		
221B	24	PW	D01489	45		31-51-33	SM00004		W	N2			
221R	24	PW	D01489	11		31-51-33	SM00003	REF	W	N2			
221Z			D01489	DED		31-51-33	SM00003			N2			
223B	24	PW	D00821	38		34-16-11	SM00004		W	N2	3		
223R	24	PW	D00821	4		34-16-11	SM00003		W	N2			
223Z			D00821	DED		34-16-11	SM00003	REF		N2			
224	20	UA	D04349J			27-32-21	GDX0004	S..	2	N2	4		
224B	24	PW	D04349J	28		27-32-21	D01381	18		N2	3		
224R	24	PW	D04349J	27		27-32-21	D01381	16		N2			
224Z			D04349J			27-32-21	D01381	DED		N2			
225B	22	PR	D00811	69		31-51-11	SM00060		W	N2	3		
225R	22	PR	D00811	68		31-51-11	SM00060		W	N2			
225Z			D00811	DED		31-51-11	SM00028	REF		N2			
226B	22	PR	D00813	69		31-51-12	SM00061		W	N2	4		
226R	22	PR	D00813	68		31-51-12	SM00061		W	N2			
226Z			D00813	DED		31-51-12	SM00030	REF		N2			
230	20	UA	D04347J			31-51-33	GDX0003	S..	2	N2	4		
230B	24	PW	D04347J	18		31-51-33	SM00004		W	N2	3		
230R	24	PW	D04347J	17		31-51-33	SM00003		W	N2			
230Z			D04347J			31-51-33	SM00003	REF		N2			
236	20	UA	D04347J			27-32-11	GDX0001	S..	2	N2	3		
236B	24	PW	D04347J	37		27-32-11	D00823	54		N2	3		
236R	24	PW	D04347J	36		27-32-11	D00823	23		N2			
236Z			D04347J			27-32-11	D00823	DED		N2			
237B	24	PW	D04347J	40		27-32-11	D00823	13		N2	3		

286T0045-0AB
Wire Bundle Assembly
Figure 132 (Sheet 10)

25-71-02

WIRE		FROM EQUIPMENT			TO EQUIPMENT			WIRE INFO					
NUMBER	GA	TYP	NUMBER	TER	TT	WDM REF	NUMBER	TERM	TT	EMC/SEP	FT	NOTE	EFFECTIVITY
237R	24	PW	D04347J	39		27-32-11	D00823	12		N2			
237Z			D04347J			27-32-11	D00823	DED		N2			
238	20	UA	D04349J			27-32-21	GDX0001	S..	2	N2	3		
238B	24	PW	D04349J	49		27-32-21	D01381	54		N2	3		
238R	24	PW	D04349J	48		27-32-21	D01381	23		N2			
238Z			D04349J			27-32-21	D01381	DED		N2			
239B	24	PW	D01381	20		27-32-21	D04349J	55		N2	3		
239R	24	PW	D01381	19		27-32-21	D04349J	54		N2			
239Z			D01381	DED		27-32-21	D04349J			N2			
240B	24	PL	D04347J	23		31-51-31	SM00080		W	N2	3		
240R	24	PL	D04347J	22		31-51-31	SM00042		W	N2			
241B	24	PL	D01487	60		31-51-31	SM00080		W	N2	3		
241R	24	PL	D01487	28		31-51-31	SM00042		W	N2			
242B	24	PL	D00817	60		31-51-32	SM00080		W	N2	3		
242R	24	PL	D00817	28		31-51-32	SM00042		W	N2			
243B	24	PW	D04349J	52		27-32-21	D01381	13		N2	3		
243R	24	PW	D04349J	51		27-32-21	D01381	12		N2			
243Z			D04349J			27-32-21	D01381	DED		N2			
245B	24	PW	D00823	20		27-32-11	D04347J	48		N2	3		
245R	24	PW	D00823	19		27-32-11	D04347J	47		N2			
245Z			D00823	DED		27-32-11	D04347J			N2			
247	20	UA	D04349J			31-41-35	GDX0006	S..	2	N2	4		
247B	24	PW	D02261	42		31-41-35	D04349J	57		N2	4		
247R	24	PW	D02261	43		31-41-35	D04349J	56		N2			
247Z			D02261	DED		31-41-35	D04349J			N2			
248	20	UA	D04349J			28-41-11	GDX0006	S..	2	N2	4		
248B	24	PW	D02261	5		28-41-11	D04349J	60		N2	4		
248R	24	PW	D02261	8		28-41-11	D04349J	59		N2			
248Z			D02261	DED		28-41-11	D04349J			N2			
271B	24	PL	D04597J	5		31-51-31	SM00088		W	N2	4		
271R	24	PL	D04597J	2		31-51-31	SM00087		W	N2			
272B	24	PL	D01487	63		31-51-31	SM00088		W	N2	4		

286T0045-0AB
Wire Bundle Assembly
Figure 132 (Sheet 11)

25-71-02

BOEING
 COMPONENT
 MAINTENANCE MANUAL

WIRE			FROM EQUIPMENT			TO EQUIPMENT			WIRE INFO				
NUMBER	GA	TYP	NUMBER	TER	TT	WDM REF	NUMBER	TERM	TT	EMC/SEP	FT	NOTE	EFFECTIVITY
272R	24	PL	D01487	62		31-51-31	SM00087		W	N2			
273B	24	PL	D00817	63		31-51-32	SM00088		W	N2	4		
273R	24	PL	D00817	62		31-51-32	SM00087		W	N2			
301	20	UA	SM00028	REF		31-51-11	GDX0005	S..	2	N2	3		
301B	22	PS	D00811	57		31-51-11	SM00028		W	N2	3		
301R	22	PS	D00811	38		31-51-11	SM00028		W	N2			
301Y	22	PS	D00811	58		31-51-11	SM00028		W	N2			
301Z			D00811	DED		31-51-11	SM00028	REF	W	N2			
302B	22	PS	D00811	42		31-51-11	SM00029		W	N2	3		
302R	22	PS	D00811	41		31-51-11	SM00029		W	N2			
302Y	22	PS	D00811	43		31-51-11	SM00029		W	N2			
302Z			D00811	DED		31-51-11	SM00028	REF	W	N2			
303B	22	PS	D00811	8		31-51-11	SM00026		W	N2	3		
303R	22	PS	D00811	7		31-51-11	SM00026		W	N2			
303Y	22	PS	D00811	9		31-51-11	SM00026		W	N2			
303Z			D00811	DED		31-51-11	SM00028	REF	W	N2			
304B	22	PS	D00811	25		31-51-11	SM00027		W	N2	3		
304R	22	PS	D00811	24		31-51-11	SM00027		W	N2			
304Y	22	PS	D00811	37		31-51-11	SM00027		W	N2			
304Z			D00811	DED		31-51-11	SM00028	REF	W	N2			
305	20	UA	SM00030	REF		31-51-12	GDX0005	S..	2	N2	2		
305B	22	PS	D00813	8		31-51-12	SM00030		W	N2	4		
305R	22	PS	D00813	7		31-51-12	SM00030		W	N2			
305Y	22	PS	D00813	9		31-51-12	SM00030		W	N2			
305Z			D00813	DED		31-51-12	SM00030	REF	W	N2			
306B	22	PS	D00813	25		31-51-12	SM00031		W	N2	4		
306R	22	PS	D00813	24		31-51-12	SM00031		W	N2			
306Y	22	PS	D00813	37		31-51-12	SM00031		W	N2			
306Z			D00813	DED		31-51-12	SM00030	REF	W	N2			
307B	22	PS	D00813	57		31-51-12	SM00032		W	N2	4		
307R	22	PS	D00813	38		31-51-12	SM00032		W	N2			
307Y	22	PS	D00813	58		31-51-12	SM00032		W	N2			

286T0045-0AB
 Wire Bundle Assembly
 Figure 132 (Sheet 12)

25-71-02

WIRE		FROM EQUIPMENT			TO EQUIPMENT			WIRE INFO					
NUMBER	GA	TYP	NUMBER	TER	TT	WDM REF	NUMBER	TERM	TT	EMC/SEP	FT	NOTE	EFFECTIVITY
307Z			D00813	DED		31-51-12	SM00030	REF		N2			
308B	22	PS	D00813	42		31-51-12	SM00033		W	N2	4		
308R	22	PS	D00813	41		31-51-12	SM00033		W	N2			
308Y	22	PS	D00813	43		31-51-12	SM00033		W	N2			
308Z			D00813	DED		31-51-12	SM00030	REF		N2			
512	24	PK	D02261	20		27-81-31	D04349J	8		N2	3		
601	20	PA	SM00060		W	31-51-11	GDX0004	D..	2	N2			
602	20	PA	SM00061		W	31-51-12	GDX0005	D..	2	N2			
603	24	PV	D04301J	5		31-51-12	M01103	INE	D	N2	3		
603Z			D04301J	DED		31-51-12	M01103			N2			
604	24	PV	D04301J	4		31-51-12	D00813	4		N2	5		
604Z			D04301J	DED		31-51-12	D00813			N2			
605	24	PV	D00813	1		31-51-12	M01103	OAD	D	N2	4		
605Z			D00813			31-51-12	M01103	DED		N2			
606	24	PV	D04349J	32		31-51-11	M01102	INE	D	N2	3		
606Z			D04349J	DED		31-51-11	M01102			N2			
607	24	PV	D04349J	33		31-51-11	D00811	4		N2	5		
607Z			D04349J	DED		31-51-11	D00811			N2			
608	24	PV	D00811	1		31-51-11	M01102	OAD	D	N2	5		
608Z			D00811			31-51-11	M01102	DED		N2			
610	24	PK	D00823	37		27-32-11	SM00050		W	N2	3		
611	24	PK	D01433	6		31-51-42	D04347J	20		N2	3		
612	24	PK	D01433	4		31-51-42	SM00050		W	N2	3		
613	24	PK	D04349J	30		31-51-31	SM00065		W	N2	3		
614	24	PK	D01487	52		31-51-31	SM00065		W	N2	3		
615	24	PK	D00817	52		31-51-32	SM00065		W	N2	3		
617	24	PK	D01381	11		27-32-12	D00823	56		N2	2		
618	24	PK	D01381	56		27-32-12	D00823	11		N2	2		
619	24	PK	D00823	45		27-32-12	SM00082		W	N2	2		
620	24	PK	D04349J	29		31-51-21	SM00071		W	N2	3		
621	24	PK	D00815	7		31-51-21	SM00071		W	N2	3		
622	24	PK	D01489	2		31-51-33	SM00071		W	N2	3		

286T0045-0AB
Wire Bundle Assembly
Figure 132 (Sheet 13)

25-71-02



BOEING
COMPONENT
MAINTENANCE MANUAL

WIRE		FROM EQUIPMENT			TO EQUIPMENT		WIRE INFO						
NUMBER	GA	TYP	NUMBER	TER	TT	WDM REF	NUMBER	TERM	TT	EMC / SEP	FT	NOTE	EFFECTIVITY
623	24	PK	D01489	36		31-51-33	SM00038		W	N2	3		
624	24	PK	D00815	8		31-51-21	SM00045		W	N2	3		
625	24	PK	D01487	9		31-51-31	SM00034		W	N2	3		
628	22	PA	D01487	20		31-51-31	GDX0006	D..	2	N2	4		
629	22	PA	D01487	53		31-51-31	GDX0006	D..	2	N2	4		
630	22	PA	D01487	21		31-51-31	GDX0006	D..	2	N2	4		
631	24	PK	D00817	9		31-51-32	SM00034		W	N2	3		
634	22	PA	D00817	20		31-51-32	GDX0006	D..	2	N2	4		
635	22	PA	D00817	53		31-51-32	GDX0006	D..	2	N2	4		
636	22	PA	D00817	21		31-51-32	GDX0006	D..	2	N2	4		
644Z	22	PQ	D00823	66		27-32-31	D04347J	42		N2	3		
646	22	PQ	D01381	66	DED	27-32-31	D04347J	DED		N2	3		
646Z	22	PQ	D01381	DED		27-32-31	D04349J	42		N2	3		
648	24	PK	D04347J	32		34-16-11	D00821	40		N2	4		
649	24	PK	D04347J	33		34-16-11	SM00038		W	N2	3		
681	24	PK	D01433	10		31-51-43	D04507J	10		N2	3		
682	24	PK	D01433	13		31-51-43	D04347J	46		N2	3		
683	22	PA	D01433	41		31-51-43	SM00081	47	W	N2	2		
684	20	PA	GDX0001	D..	2	31-51-43	D04349J	47		N2	3		
685	24	PK	D00823	58		27-32-12	D01505	A1		N2	3		
686	24	PK	D00823	8		27-32-11	SM00038		W	N2	2		
687	24	PK	D00823	64		27-32-11	SM00081		W	N2	2		
688	24	PK	D01381	58		27-32-22	D01503	A1		N2	3		
689	24	PK	D01381	45		27-32-22	SM00085		W	N2	2		
692	24	PK	D01381	8		27-32-21	SM00038		W	N2	2		
693	24	PK	D04347J	30		31-51-21	D00815	6		N2	4		
694	22	PA	D04349J	46		31-51-43	SM00081		W	N2	3		
696	20	PA	GDX0003	D..	2	27-32-12	SM00082		W	N2	2		
697	20	PA	GDX0003	D..	2	27-32-22	SM00085		W	N2	2		
701	24	PK	D00815	49		31-51-21	D00815	22		N2	1		
702	24	PK	D00815	16		31-51-21	D00815	48		N2	1		

286T0045-0AB
Wire Bundle Assembly
Figure 132 (Sheet 14)

25-71-02

WIRE		FROM EQUIPMENT			TO EQUIPMENT		WIRE INFO						
NUMBER	GA	TYP	NUMBER	TER	TT	WDM REF	NUMBER	TERM	TT	EMC/SEP	FT	NOTE	EFFECTIVITY
703	24	PK	D00819	6		31-51-41	SM00019		W	N2	3		
704	24	PK	SM00075		W	31-51-41	D04511J	14		N2	4		
705	24	PK	D00819	45		31-51-41	D04511J	12		N2	4		
706	24	PK	D00819	10		31-51-41	D04349J	31		N2	4		
707	24	PK	D00819	21		31-51-41	D04509J	4		N2	4		
708	24	PK	D00819	9		31-51-41	D04349J	7		N2	4		
709	24	PK	D00819	39		31-51-41	SM00044		W	N2	3		
710	24	PK	D00819	43		31-51-41	SM00037		W	N2	3		
711	24	PK	D00819	12		31-51-41	D04349J	21		N2	4		
712	24	PK	D00819	53		31-51-41	D04349J	3		N2	4		
713	24	PK	D00819	20		31-51-41	D04347J	9		N2	4		
714	24	PK	D00819	44		31-51-41	D04349J	24		N2	4		
715	24	PK	D04507J	6		31-51-42	SM00019		W	N2	3		
716	24	PK	D01433	34		31-51-42	SM00019		W	N2	2		
717	24	PK	D01433	37		31-51-42	SM00034		W	N2	2		
718	24	PK	D01433	39		31-51-42	D04509J	2		N2	3		
720	24	PK	D01433	52		31-51-42	SM00040		W	N2	2		
721	24	PK	D01433	38		31-51-42	D04347J	24		N2	4		
722	24	PK	D01433	5		31-51-42	D04349J	22		N2	4		
723	24	PK	D04511J	11		31-51-42	SM00038		W	N2	3		
724	24	PK	D01433	40		31-51-42	SM00038		W	N2	2		
725	24	PK	D01433	3		31-51-42	D04347J	13		N2	4		
726	22	PA	D04347J	14		31-51-21	SM00036		W	N2	3		
727	22	PA	D04301J	11		31-51-21	SM00035		W	N2	3		
728	24	PK	D04347J	1		31-51-41	D00819	35		N2	4		
729	24	PK	D04347J	2		31-51-41	D00819	1		N2	4		
730	24	PK	D04347J	3		31-51-41	D00819	36		N2	4		
731	24	PK	D04347J	4		31-51-41	D00819	2		N2	4		
732	24	PK	D04347J	5		31-51-42	D01433	20		N2	4		
733	24	PK	D04347J	16		34-16-11	D00821	65		N2	5		
734	24	PK	D04347J	8		31-51-31	SM00046		W	N2	3		
735	24	PK	D04507J	7		34-16-11	D00821	34		N2	5		

286T0045-0AB
Wire Bundle Assembly
Figure 132 (Sheet 15)

25-71-02



BOEING
COMPONENT
MAINTENANCE MANUAL

WIRE		FROM EQUIPMENT			TO EQUIPMENT		WIRE INFO						
NUMBER	GA	TYP	NUMBER	TER	TT	WDM REF	NUMBER	TERM	TT	EMC/SEP	FT	NOTE	EFFECTIVITY
736	24	PK	D04507J	2		34-16-11	D00821	66		N2	4		
737	24	PK	SM00041		W	34-16-11	D00821	31		N2	3		
738	24	PK	D04347J	19		34-16-11	D00821	7		N2	5		
739	24	PK	SM00075		W	34-16-11	D00821	6		N2	4		
741	24	PK	D00821	18		34-16-11	D00821	22		N2	1		
742	24	PK	D00821	50		34-16-11	D00821	48		N2	1		
746	24	PK	D04597J	10		31-51-31	SM00043		W	N2	3		
747	24	PK	D01487	46		31-51-31	SM00043		W	N2	3		
748	24	PK	D04347J	7		31-51-31	SM00045		W	N2	3		
749	24	PK	D01487	10		31-51-31	SM00045		W	N2	3		
750	24	PK	D01487	19		31-51-31	SM00046		W	N2	3		
751	24	PK	D01487	13		31-51-31	SM00040		W	N2	3		
752	24	PK	D01487	47		31-51-31	SM00044		W	N2	3		
753	24	PK	D01487	51		31-51-31	SM00041		W	N2	3		
755	24	PV	D01487	1		31-51-31	SM00035		W	N2	3		
755Z			D01487	DED		31-51-31	SM00035	DED		N2			
756	24	PK	D01487	50		31-51-31	SM00036		W	N2	3		
757	24	PK	D01487	49		31-51-31	SM00039		W	N2	3		
758	24	PK	D01487	22		31-51-31	D01489	23		N2	4		
759	24	PK	D01487	55		31-51-31	D01489	47		N2	4		
760	24	PK	D01487	34		31-51-31	D01489	51		N2	4		
761	24	PK	D01487	66		31-51-31	D01489	57		N2	4		
762	24	PK	D00817	10		31-51-32	SM00045		W	N2	3		
763	24	PK	D00817	46		31-51-32	SM00043		W	N2	3		
764	24	PV	D00817	1		31-51-32	SM00035		W	N2	3		
764Z			D00817	DED		31-51-32	SM00035	DED		N2			
765	24	PK	D00817	50		31-51-32	SM00036		W	N2	3		
766	24	PV	D00817	49		31-51-32	SM00053		W	N2	3		
766Z			D00817	DED		31-51-32	SM00053	DED		N2			
767	24	PK	D00817	19		31-51-32	SM00046		W	N2	3		
768	24	PK	D00817	13		31-51-32	SM00040		W	N2	3		
769	24	PK	D00817	47		31-51-32	SM00044		W	N2	3		

286T0045-0AB
Wire Bundle Assembly
Figure 132 (Sheet 16)

25-71-02

WIRE		FROM EQUIPMENT			TO EQUIPMENT		WIRE INFO						
NUMBER	GA	TYP	NUMBER	TER	TT	WDM REF	NUMBER	TERM	TT	EMC/SEP	FT	NOTE	EFFECTIVITY
770	24	PK	D00817	51		31-51-32	SM00041		W	N2	3		
772	24	PK	D00817	22		31-51-32	D01489	54		N2	3		
773	24	PK	D00817	55		31-51-32	D01489	13		N2	3		
774	24	PK	D00817	34		31-51-32	D01489	25		N2	3		
775	24	PK	D00817	66		31-51-32	D01489	58		N2	3		
776	24	PK	D01489	42		31-51-33	D04347J	15		N2	4		
777	24	PK	D01489	8		31-51-33	D04349J	13		N2	4		
779	24	PK	D01489	35		31-51-33	D04349J	40		N2	4		
780	24	PK	D01489	53		31-51-33	D04349J	2		N2	4		
781	24	PK	D01489	31		31-51-33	D01489	48		N2	1		
782	24	PK	D01489	18		31-51-33	D01489	22		N2	1		
783	24	PK	D01489	38		31-51-33	SM00008		W	N2	4		
784	24	PK	D01489	4		31-51-33	SM00011		W	N2	4		
785	24	PK	D01489	37		31-51-33	SM00012		W	N2	4		
786	24	PK	D01489	3		31-51-33	SM00010		W	N2	4		
787	24	PK	D01489	1		31-51-33	SM00009		W	N2	4		
788	24	PK	D01489	6		31-51-33	SM00034		W	N2	4		
789	24	PK	D01489	41		31-51-33	D04509J	11		N2	4		
791	24	PK	D01489	7		31-51-33	D04509J	10		N2	4		
792	24	PK	D01489	40		31-51-33	D04509J	9		N2	4		
793	24	PK	D00819	11		31-51-41	SM00075		W	N2	2		
794	20	PA	D04303J	10		31-51-32	GDX0004	S..	2	N2	4		
795	24	PK	D01433	9		31-51-42	D01433	48		N2	1		
796	24	PK	D01433	22		31-51-42	D01433	50		N2	1		
797	24	PV	D00815	41		31-51-21	SM00053	DED	W	N2	3		
797Z			D00815	DED		31-51-21	SM00053	DED		N2			
798	24	PV	D04349J	9		31-51-21	SM00053	DED	W	N2	3		
798Z			D04349J	DED		31-51-21	SM00053	DED		N2			
817	24	PK	D00823	55		27-32-12	D11553	6		N2	3		
818	24	PK	D00823	21		27-32-12	D11553	4		N2	3		
819	24	PK	D00823	51		27-32-12	D11553	3		N2	3		
820	24	PK	D00823	50		27-32-12	D11553	2		N2	3		

286T0045-0AB
Wire Bundle Assembly
Figure 132 (Sheet 17)

25-71-02



BOEING
COMPONENT
MAINTENANCE MANUAL

WIRE		FROM EQUIPMENT		TO EQUIPMENT		WIRE INFO							
NUMBER	GA	TYP	NUMBER	TER	TT	WDM REF	NUMBER	TERM	TT	EMC/SEP	FT	NOTE	EFFECTIVITY
821	24	PK	D00823	49		27-32-12	D11553	7		N2	3		
822	24	PK	D00823	47		27-32-12	D11553	8		N2	3		
823	24	PK	D00823	46		27-32-12	D11553	9		N2	3		
824	24	PK	D00823	53		27-32-12	D11553	5		N2	3		
825	24	PK	D00823	62		27-32-12	D11553	24		N2	3		
826	24	PK	D01381	55		27-32-22	D11553	16		N2	3		
827	24	PK	D01381	21		27-32-22	D11553	14		N2	3		
828	24	PK	D01381	51		27-32-22	D11553	13		N2	3		
829	24	PK	D01381	50		27-32-22	D11553	12		N2	3		
830	24	PK	D01381	49		27-32-22	D11553	17		N2	3		
831	24	PK	D01381	47		27-32-22	D11553	18		N2	3		
832	24	PK	D01381	46		27-32-22	D11553	19		N2	3		
833	24	PK	D01381	53		27-32-22	D11553	15		N2	3		
834	24	PK	D01381	62		27-32-22	D11553	34		N2	3		
835	24	PK	D04349J	50		27-32-21	D01381	64		N2	3		
836	20	PA	D04349J	53		27-32-21	GDX0002	S..		N2	3		
837	24	PK	D00823	42		27-32-12	SM00082	W		N2	2		
838	24	PK	D01381	42		27-32-22	SM00085	W		N2	2		
842	22	PA	D01381	6		27-32-22	SM00085	W		N2	2	ZSZ-B6	
843	22	PA	D00823	6		27-32-12	SM00082	W		N2	2	ZSZ-B6	
862	22	PA	D02261	30		31-41-35	GDX0006	S..		N2	4		
863	22	PA	D02261	32		31-41-35	GDX0006	S..		N2	4		
864	22	PA	D02261	33		31-41-35	GDX0006	S..		N2	4		
865	22	PA	D02261	64		31-41-35	GDX0006	S..		N2	4		
866	24	PV	D02261	27		31-51-11	SM00018	W		N2	3		
866Z			D02261	DED		31-51-11	SM00018	REF		N2			
867	24	PV	D02261	28		31-51-11	SM00047	W		N2	3	PAJ-F2	
867Z			D02261	DED		31-51-11	SM00047	REF		N2		PAJ-F2	
868	24	PV	D02261	29		31-51-12	SM00054	W		N2	3		
868Z			D02261	DED		31-51-12	SM00054	REF		N2			
869	24	PK	D02261	34		31-51-12	SM00025	W		N2	3		
870	22	PA	D02261	56		31-51-12	GDX0001	S..		N2	4		

286T0045-0AB
Wire Bundle Assembly
Figure 132 (Sheet 18)

25-71-02

TESTING & TROUBLE SHOOTING
01

Page 1800
Nov 01/02

WIRE		FROM EQUIPMENT			TO EQUIPMENT			WIRE INFO					
NUMBER	GA	TYP	NUMBER	TER	TT	WDM REF	NUMBER	TERM	TT	EMC/ SEP	FT	NOTE	EFFECTIVITY
871	22	PA	D02261	57		31-51-12	GDX0003	S..	2	N2	3		
872	22	PA	D02261	59		31-51-11	GDX0005	S..	2	N2	3		
873	24	PV	D02261	60		31-51-12	SM00055		W	N2	3		
873Z			D02261	DED		31-51-12	SM00055	REF	W	N2	3		
874	24	PV	D02261	62		31-51-11	SM00049		W	N2	3		
874Z			D02261	DED		31-51-11	SM00049	REF	W	N2	3		
875	24	PV	D02261	63		31-51-12	SM00056		W	N2	3		
875Z			D02261	DED		31-51-12	SM00056	REF	W	N2	3		
876	24	PK	D02261	65		31-51-11	SM00022		W	N2	4		
877	24	PV	D00811	14		31-51-11	SM00018		W	N2	4		
877Z			D00811	DED		31-51-11	SM00018	REF	W	N2	4		
878	24	PV	D00811	48		31-51-11	SM00047		W	N2	4		
878Z			D00811	DED		31-51-11	SM00047	REF	W	N2	4		
879	24	PV	D00811	23		31-51-11	SM00049		W	N2	4		
879Z			D00811	DED		31-51-11	SM00049	REF	W	N2	4		
880	24	PV	D00813	14		31-51-12	SM00054		W	N2	4		
880Z			D00813	DED		31-51-12	SM00054	REF	W	N2	4		
881	24	PV	D00813	48		31-51-12	SM00055		W	N2	4		
881Z			D00813	DED		31-51-12	SM00055	REF	W	N2	4		
882	24	PV	D00813	23		31-51-12	SM00056		W	N2	4		
882Z			D00813	DED		31-51-12	SM00056	REF	W	N2	4		
883	22	PA	D02261	15		38-32-11	D04349J	26		N2	4		
884	22	PA	D02261	47		38-32-11	D04347J	27		N2	4		
885	24	PK	D04303J	9		31-51-21	SM00057		W	N2	3		
886	24	PK	D04507J	3		31-51-21	SM00058		W	N2	3		
887	24	PK	D04507J	1		31-51-21	SM00058		W	N2	3		
888	24	PK	SM00057		W	31-51-21	D04349J	44		N2	3		

286T0045-0AB
Wire Bundle Assembly
Figure 132 (Sheet 19)

25-71-02



BOEING
COMPONENT
MAINTENANCE MANUAL

WIRE			FROM EQUIPMENT			TO EQUIPMENT			WIRE INFO				
NUMBER	GA	TYP	NUMBER	TERM	TT	WDM REF	NUMBER	TERM	TT	EMC/SEP	FT	NOTE	EFFECTIVITY
FRA			M01103			31-51-12	M01103	GND	D	N2			
FRB			D00813			31-51-12	D00813	59		N2			
FRC			M01102			31-51-11	M01102	GND	D	N2			
FRD			D00811			31-51-11	D00811	59		N2			
FRG			D04349J	58		31-41-35	D04349J			N2			
FRH			D04349J	61		28-41-11	D04349J			N2			
PA1			D00815	47		99-99-99	D00815	63		N2		DAW-B2	
PA2			D00817	8		99-99-99	D00817	57		N2		DAW-B2	
PA3			D00819	41		99-99-99	D00819	55		N2		DAW-B2	
PA4			D00821	43		99-99-99	D00821	60		N2		DAW-B2	
PA5			D00823	52		99-99-99	D00823	65		N2		DAW-B2	
PA6			D01433	44		99-99-99	D01433	61		N2		DAW-B2	
PA7			D01381	52		99-99-99	D01381	65		N2		DAW-B2	
PA8			D01487	8		99-99-99	D01487	57		N2		DAW-B2	
PA9			D01489	56		99-99-99	D01489	65		N2		DAW-B2	
PB4			D02261	54		99-99-99	D02261	61		N2		DAW-B2	
P01		SE	D11553							N2			
1	22	PA	D00811	60		31-51-11	GDX0001	S..	2	N2	3		
2	22	PA	D00821	14		31-51-11	GDX0002	D..	2	N2	2		
3	24	PV	D00811	26		31-51-11	D00821	27		N2	3		
003Z			D00811	DED		31-51-11	D00821			N2			
4	24	PV	D00811	49		31-51-11	D00821	32		N2	3		
004Z			D00811	DED		31-51-11	D00821			N2			
5	24	PV	D00811	35		31-51-11	D00821	17		N2	3		
005Z			D00811	DED		31-51-11	D00821			N2			
6	24	PK	SM00022		W	31-51-11	D00821	51		N2	1		
7	24	PK	D00811	65		31-51-11	SM00022		W	N2	2		
8	24	PK	D00819	37		31-51-11	SM00022		W	N2	1		
9	24	PV	D00819	27		31-51-11	D00811	13		N2	3		
009Z			D00811	DED		31-51-11	D00819			N2			
10	22	PA	D00819	14		31-51-11	D00819	D..	2	N2	2		
11	24	PK	D01433	51		31-51-11	SM00022		W	N2	1		

286T0045-OAC
Wire Bundle Assembly
Figure 133 (Sheet 1)

25-71-02

WIRE		FROM EQUIPMENT			TO EQUIPMENT			WIRE INFO					
NUMBER	GA	TYP	NUMBER	TER	TT	WDM REF	NUMBER	TERM	TT	EMC/SEP	FT	NOTE	EFFECTIVITY
11	24	PK	D01433	51		31-51-11	SM00022		W	N2	1		
12	24	PV	SM00018	REF	W	31-51-11	D01433	27		N2	1		
012Z			SM00018	REF		31-51-11	D01433			N2			
13	24	PV	SM00047	REF	W	31-51-11	D01433	32		N2	1		
013Z			SM00047	REF		31-51-11	D01433			N2			
14	24	PV	SM00049	REF	W	31-51-11	D01433	17		N2	1		
014Z			SM00049	REF		31-51-11	D01433			N2			
15	22	PA	D01433	14	W	31-51-11	GDX0001	D..	2	N2	2		
16	20	PA	SM00028			31-51-11	GDX0005	D..	2	N2	2		
17	20	UA	GDX0002	S..	2	31-51-11	D00821			N2	2		
18	20	UA	GDX0005	S..	2	31-51-11	D00819			N2	2		
19	20	UA	D01433			31-51-11	GDX0002	S..	2	N2	2		
20	20	PA	GDX0005	D..	2	31-51-11	SM00029		W	N2	2		
21	20	UA	GDX0002	S..	2	31-51-11	D01503		2	N2	2		
23	20	UA	D00815			31-51-11	GDX0002	S..	2	N2	2		
24	24	PK	D04349J	38		31-51-11	SM00005		W	N2	1		
25	24	PK	D01503	A2		31-51-11	SM00005		W	N2	1		
26	20	PA	D01503	A3		31-51-11	SM00005		2	N2	2		
27	22	PQ	D01503	X2		31-51-11	GDX0003	D..		N2	4		
027Z			D00811	DED		31-51-11	D00811	75		N2	4		
28	24	PV	D01503	X1		31-51-11	SM00015		W	N2	1		
028Z			SM00015	REF		31-51-11	D01503			N2			
29	24	PV	D00811	46		31-51-11	SM00015		W	N2	2		
029Z			SM00015	REF		31-51-11	D00811	DED		N2			
30	24	PK	SM00015		W	31-51-11	D11553	35		N2	1		
32	20	PA	D11553	11		31-51-11	GDX0003	D..	2	N2	2		
33	24	PK	D11553	37		31-51-11	D00811	34		N2	4		
34	24	PK	D11553	36		31-51-11	D00811	33		N2	4		
35	22	PA	D00815	14		31-51-11	GDX0001	D..	2	N2	2		
36	24	PV	D00815	27		31-51-11	D00811	12		N2	3		
036Z			D00811	DED		31-51-11	D00815			N2			
37	24	PV	D00815	32		31-51-11	D00811	17		N2	3		

286T0045-OAC
Wire Bundle Assembly
Figure 133 (Sheet 2)

25-71-02



BOEING
COMPONENT
MAINTENANCE MANUAL

WIRE		FROM EQUIPMENT			TO EQUIPMENT			WIRE INFO					
NUMBER	GA	TYP	NUMBER	TER	TT	WDM REF	NUMBER	TERM	TT	EMC/SEP	FT	NOTE	EFFECTIVITY
				M									
037Z			D00811	DED		31-51-11	D00815			N2			
38	24	PV	D00815	17		31-51-11	D00811	22		N2	3		
038Z			D00811	DED		31-51-11	D00815			N2			
39	24	PK	D00815	54		31-51-11	SM00020		W	N2	1		
40	24	PK	D00811	63		31-51-11	SM00020		W	N2	2		
41	24	PK	D00823	35		31-51-11	SM00020		W	N2	1		
42	24	PK	D01381	35		31-51-11	SM00020		W	N2	1		
45	22	PA	D01381	14		31-51-11	GDX0001	D..	2	N2	2		
46	22	PA	D01381	48		31-51-11	GDX0003	D..	2	N2	2		
47	24	PV	D01381	27		31-51-11	D00811	11		N2	3		
047Z			D00811	DED		31-51-11	D01381			N2			
48	24	PV	D01381	32		31-51-11	D00811	16		N2	3		
048Z			D00811	DED		31-51-11	D01381			N2			
49	24	PV	D01381	17		31-51-11	D00811	21		N2	3		
049Z			D00811	DED		31-51-11	D01381			N2			
52	22	PA	D00823	14		31-51-11	GDX0001	D..	2	N2	2		
53	22	PA	D00823	48		31-51-11	GDX0003	D..	2	N2	2		
54	24	PV	D00823	27		31-51-11	D00811	10		N2	3		
054Z			D00811	DED		31-51-11	D00823			N2			
55	24	PV	D00823	32		31-51-11	D00811	15		N2	3		
055Z			D00811	DED		31-51-11	D00823			N2			
56	24	PV	D00823	17		31-51-11	D00811	20		N2	3		
056Z			D00811	DED		31-51-11	D00823			N2			
57	22	PA	D00817	14		31-51-11	GDX0002	D..	2	N2	2		
58	24	PV	D00817	27		31-51-11	D00811	51		N2	3		
058Z			D00811	DED		31-51-11	D00817			N2			
59	24	PV	D00817	32		31-51-11	D00811	74		N2	3		
059Z			D00811	DED		31-51-11	D00817			N2			
60	24	PK	D00817	45		31-51-11	SM00021		W	N2	1		
61	24	PK	D00811	64		31-51-11	SM00021		W	N2	2		
62	24	PK	D01489	16		31-51-11	SM00021		W	N2	1		
63	24	PK	D01487	45		31-51-11	SM00021		W	N2	1		

286T0045-OAC
Wire Bundle Assembly
Figure 133 (Sheet 3)

25-71-02

WIRE		FROM EQUIPMENT			TO EQUIPMENT			WIRE INFO					
NUMBER	GA	TYP	NUMBER	TER	TT	WDM REF	NUMBER	TERM	TT	EMC/SEP	FT	NOTE	EFFECTIVITY
64	24	PV	D01487	27		31-51-11	D00811	47		N2	3		
064Z			D00811	DED		31-51-11	D01487			N2			
65	24	PV	D01487	32		31-51-11	D00811	70		N2	3		
065Z			D00811	DED		31-51-11	D01487			N2			
66	22	PA	D01487	14		31-51-11	GDX0003	D..	2	N2	2		
67	24	PV	D01489	27		31-51-11	D00811	45		N2	3		
067Z			D00811	DED		31-51-11	D01489			N2			
68	24	PV	D01489	32		31-51-11	D00811	50		N2	3		
068Z			D00811	DED		31-51-11	D01489			N2			
69	24	PV	D01489	17		31-51-11	D00811	36		N2	3		
069Z			D00811	DED		31-51-11	D01489			N2			
70	22	PA	D01489	14		31-51-11	GDX0003	D..	2	N2	2		
71	20	UA	D01381			31-51-11	GDX0002	S..	2	N2	2		
72	20	UA	D00823			31-51-11	GDX0002	S..	2	N2	2		
73	20	UA	D00817			31-51-11	GDX0002	S..	2	N2	2		
74	20	PA	SM00026			31-51-11	GDX0005	D..	2	N2	2		
75	20	UA	D01487		W	31-51-11	GDX0005	S..	2	N2	2		
76	20	UA	GDX0005	S..	2	31-51-11	D01489			N2	2		
77	24	PK	D02261	40		31-41-35	D04349J	1		N2	2		
78	20	PA	SM00027		W	31-51-11	GDX0005	D..	2	N2	3	UAE-F2	
79	22	PA	D00813	60		31-51-12	GDX0003	S..	2	N2	2		
80	22	PA	D00821	15		31-51-12	GDX0002	D..	2	N2	2		
81	24	PV	D00821	30		31-51-12	D00813	26		N2	3		
081Z			D00813	DED		31-51-12	D00821			N2			
82	24	PV	D00821	33		31-51-12	D00813	49		N2	3		
082Z			D00813	DED		31-51-12	D00821			N2			
83	24	PV	D00821	24		31-51-12	D00813	35		N2	3		
083Z			D00813	DED		31-51-12	D00821			N2			
84	24	PK	D00821	19		31-51-12	SM00025		W	N2	1		
85	24	PK	D00813	65		31-51-12	SM00025		W	N2	2		
86	24	PK	D00819	3		31-51-12	SM00025		W	N2	1		
87	24	PK	D01433	18		31-51-12	SM00025		W	N2	1		

 286T0045-OAC
 Wire Bundle Assembly
 Figure 133 (Sheet 4)

25-71-02



BOEING
COMPONENT
MAINTENANCE MANUAL

WIRE		FROM EQUIPMENT				TO EQUIPMENT				WIRE INFO			
NUMBER	GA	TYP	NUMBER	TER	TT	WDM REF	NUMBER	TERM	TT	EMC/SEP	FT	NOTE	EFFECTIVITY
				M									
88	22	PA	D01433	15		31-51-12	GDX0002	D..	2	N2	2		
89	24	PV	D01433	30		31-51-12	SM00054		W	N2	1		
089Z			SM00054	REF		31-51-12	D01433			N2			
90	24	PV	D01433	33		31-51-12	SM00055		W	N2	1		
090Z			SM00055	REF		31-51-12	D01433			N2			
91	24	PV	D01433	24		31-51-12	SM00056		W	N2	1		
091Z			SM00056	REF		31-51-12	D01433			N2			
92	22	PA	D00819	15		31-51-12	GDX0002	D..	2	N2	2		
93	24	PV	D00819	30		31-51-12	D00813	13		N2	3		
093Z			D00813	DED		31-51-12	D00819			N2			
94	20	PA	SM00032		W	31-51-12	GDX0005	D..	2	N2			
95	24	PV	D01505	X2		31-51-12	D00813	75		N2	3		
095Z			D00813	DED		31-51-12	D01505			N2			
96	24	PV	D01505	X1		31-51-12	SM00016		W	N2	1		
096Z			SM00016	REF		31-51-12	D01505			N2			
97	24	PV	D00813	46		31-51-12	SM00016		W	N2	2		
097Z			SM00016	REF		31-51-12	D00813	DED		N2			
98	20	PA	SM00033		W	31-51-12	GDX0005	D..	2	N2			
99	24	PK	SM00016		W	31-51-12	D11553	25		N2	1		
10A	24	PK	D01489	21		31-51-33	D04349J	23		N2	2		
100	20	PA	D11553	1		31-51-12	GDX0003	D..	2	N2	2		
101	20	UA	D00821			31-51-12	GDX0004	S..	2	N2	2		
102	20	UA	D00819			31-51-12	GDX0004	S..	2	N2	2		
103	20	UA	D01433			31-51-12	GDX0004	S..	2	N2	2		
104	20	UA	D01505			31-51-12	GDX0005	S..	2	N2	2		
106	20	UA	D00815			31-51-12	GDX0004	S..	2	N2	2		
107	20	UA	D01381			31-51-12	GDX0004	S..	2	N2	2		
109	20	UA	D00817			31-51-12	GDX0004	S..	2	N2	2		
110	20	UA	D01487			31-51-12	GDX0001	S..	2	N2	2		
111	20	UA	D01489			31-51-12	GDX0001	S..	2	N2	2		
112	22	PA	D00815	15		31-51-12	GDX0001	S..	2	N2	2		
113	24	PK	D01505	A2		31-51-12	SM00005	D..	W	N2	1		

286T0045-OAC
Wire Bundle Assembly
Figure 133 (Sheet 5)

25-71-02

TESTING & TROUBLE SHOOTING

01

Page 180U

Nov 01/02

WIRE		FROM EQUIPMENT			TO EQUIPMENT			WIRE INFO					
NUMBER	GA	TYP	NUMBER	TER	TT	WDM REF	NUMBER	TERM	TT	EMC/SEP	FT	NOTE	EFFECTIVITY
				M									
114	20	PA	D01505	A3		31-51-12	GDX0003	D..	2	N2	2		
115	24	PK	D02261	21		21-61-51	D04347J	25		N2	2		
116	24	PK	D00815	21		31-51-12	SM00023		W	N2	1		
117	24	PK	D00813	63		31-51-12	SM00023		W	N2	2		
118	24	PK	D00823	1		31-51-12	SM00023		W	N2	1		
119	24	PK	D01381	1		31-51-12	SM00023		W	N2	1		
120	22	PA	D01381	15		31-51-12	GDX0001	D..	2	N2	2		
121	24	PK	D00817	56		31-51-12	SM00024		W	N2	1		
122	24	PK	D00813	64		31-51-12	SM00024		W	N2	2		
123	24	PK	D01487	56		31-51-12	SM00024		W	N2	1		
124	22	PA	D00823	15		31-51-12	GDX0001	D..	2	N2	2		
125	20	UA	D00823			31-51-12	GDX0004	S..	2	N2	2		
126	24	PV	D00823	33		31-51-12	D00813	15		N2	3		
126Z			D00823			31-51-12	D00813	DED		N2			
127	24	PV	D00823	24		31-51-12	D00813	20		N2	3		
127Z			D00823			31-51-12	D00813	DED		N2			
128	22	PA	D00817	15		31-51-12	GDX0002	D..	2	N2	2		
129	24	PV	D00817	30		31-51-12	D00813	51		N2	3		
129Z			D00817			31-51-12	D00813	DED		N2			
130	24	PV	D00817	33		31-51-12	D00813	74		N2	3		
130Z			D00817			31-51-12	D00813	DED		N2			
131	24	PV	D00813	11		31-51-12	D01381	30		N2	3		
131Z			D01381			31-51-12	D00813	DED		N2			
132	24	PV	D00813	16		31-51-12	D01381	33		N2	3		
132Z			D01381			31-51-12	D00813	DED		N2			
133	24	PV	D01381	24		31-51-12	D00813	21		N2	3		
133Z			D01381			31-51-12	D00813	DED		N2			
134	24	PK	D01489	50		31-51-12	SM00024		W	N2	1		
135	24	PV	D01487	30		31-51-12	D00813	47		N2	3		
135Z			D01487			31-51-12	D00813	DED		N2			
136	24	PV	D01487	33		31-51-12	D00813	70		N2	3		
136Z			D01487			31-51-12	D00813	DED		N2			

286T0045-OAC
Wire Bundle Assembly
Figure 133 (Sheet 6)

25-71-02



BOEING
COMPONENT
MAINTENANCE MANUAL

WIRE		FROM EQUIPMENT			TO EQUIPMENT			WIRE INFO					
NUMBER	GA	TYP	NUMBER	TER	TT	WDM REF	NUMBER	TERM	TT	EMC/SEP	FT	NOTE	EFFECTIVITY
137	22	PA	D01487	15		31-51-12	GDX0003	D..	2	N2	2		
138	24	PV	D01489	30		31-51-12	D00813	45		N2	3		
138Z			D01489			31-51-12	D00813	DED		N2			
139	24	PV	D01489	33		31-51-12	D00813	50		N2	3		
139Z			D01489			31-51-12	D00813	DED		N2			
140	24	PV	D01489	24		31-51-12	D00813	36		N2	3		
140Z			D01489			31-51-12	D00813	DED		N2			
141	22	PA	D01489	15		31-51-12	GDX0003	D..	2	N2	2		
142	24	PK	D00813	33		31-51-12	D11553	26		N2	3		
143	24	PK	D11553	27		31-51-12	D00813	34		N2	3		
144	24	PV	D00813	12		31-51-12	D00815	30		N2	3		
144Z			D00813	DED		31-51-12	D00815			N2			
145	20	PA	SM00030		W	31-51-12	GDX0005	D..	2	N2			
146	24	PV	D00813	17		31-51-12	D00815	33		N2	3		
146Z			D00813	DED		31-51-12	D00815			N2			
147	24	PV	D00813	22		31-51-12	D00815	24		N2	3		
147Z			D00813	DED		31-51-12	D00815			N2			
148	24	PV	D00813	10		31-51-12	D00823	30		N2	3		
148Z			D00813	DED		31-51-12	D00823			N2			
149	20	PA	SM00031		W	31-51-12	GDX0005	D..	2	N2			
150	22	PA	D04301J	6		27-32-11	D00823	34		N2	2		
151	24	PK	D04509J	1		27-32-11	D00823	39		N2	2		
152	24	PK	D04347J	26		27-32-11	D00823	40		N2	2		
153	24	PK	D00823	31		27-32-11	D04509J	6		N2	2		
154	20	PA	D04509J	7		27-32-11	GDX0001	D..	2	N2	2		
155	24	PK	SM00037		W	27-32-11	D04511J	3		N2	1		
156	24	PK	D00823	38		27-32-11	D04511J	2		N2	2		
157	24	PK	D04511J	4		27-32-11	SM00050		W	N2	1		
158	24	PK	SM00037		W	27-32-11	D00823	4		N2	1		
159	24	PK	D04349J	14		27-32-11	D00823	36		N2	1		
160	24	PK	D04349J	15		27-32-11	D00823	3		N2	1		
161	24	PK	D04349J	16		27-32-11	D00823	43		N2	1		

286T0045-OAC
Wire Bundle Assembly
Figure 133 (Sheet 7)

25-71-02

WIRE		FROM EQUIPMENT		TO EQUIPMENT		WIRE INFO							
NUMBER	GA	TYP	NUMBER	TER	TT	WDM REF	NUMBER	TERM	TT	EMC/SEP	FT	NOTE	EFFECTIVITY
162	24	PK	D04349J	10		27-32-11	D00823	2		N2	1		
165	22	PA	D04349J	11		27-32-21	D01381	34		N2	2		
166	24	PK	D01381	40		27-32-21	D04349J	6		N2	2		
167	24	PK	D01381	31		27-32-21	D04511J	7		N2	2		
168	20	PA	GDX0002	D..	2	27-32-21	D04511J	8		N2	2		
169	24	PK	D04349J	34		27-32-21	D01381	36		N2	2		
170	24	PK	D04349J	35		27-32-21	D01381	3		N2	2		
171	24	PK	D04349J	36		27-32-21	D01381	43		N2	2		
172	24	PK	D04349J	37		27-32-21	D01381	2		N2	2		
173	24	PK	D04511J	13		27-32-21	D01381	4		N2	2		
174	24	PK	D04511J	16		27-32-21	D01381	37		N2	2		
175	24	PK	D04511J	15		27-32-21	D01381	38		N2	2		
176	24	PK	D04509J	8		27-32-21	D01381	39		N2	2		
177	24	PK	D00815	34		31-51-21	SM00057		W	N2	1		
178	24	PK	D00815	43		31-51-21	D01433	19		N2	2		
179	24	PK	D00815	10		31-51-21	D00819	5		N2	2		
180	24	PK	D04507J	5		31-51-21	SM00034	66		N2	1		
181	24	PK	SM00058		W	31-51-21	D00815			N2	1		
182	24	PK	D00815	4		31-51-21	SM00034	39		N2	1		
183	24	PK	D00815	11		31-51-21	D04349J			N2	2		
184	22	PA	D00815	37		31-51-21	SM00035		W	N2	1		
185	22	PA	D00815	42		31-51-21	SM00036		W	N2	1		
186	24	PK	D04349J	5		31-51-21	SM00012		W	N2	1		
187	24	PK	D00815	2		31-51-21	SM00012		W	N2	1		
188	24	PK	SM00011		W	31-51-21	SM00012	4		N2	1		
189	24	PK	SM00011		W	31-51-21	D04349J			N2	1		
190	24	PK	D04349J	12		31-51-21	D00815	35		N2	1		
191	24	PK	D00815	44		31-51-21	SM00009		W	N2	1		
192	24	PK	D04347J	10		31-51-21	SM00009		W	N2	1		
193	24	PK	D00815	1		31-51-21	SM00008		W	N2	1		
194	24	PK	D04347J	11		31-51-21	SM00008		W	N2	1		
195	24	PK	D00815	36		31-51-21	SM00010		W	N2	1		
							SM00010			N2	1		

286T0045-OAC
Wire Bundle Assembly
Figure 133 (Sheet 8)

25-71-02



BOEING
COMPONENT
MAINTENANCE MANUAL

WIRE		FROM EQUIPMENT			TO EQUIPMENT			WIRE INFO					
NUMBER	GA	TYP	NUMBER	TER	TT	WDM REF	NUMBER	TERM	TT	EMC/SEP	FT	NOTE	EFFECTIVITY
				M									
196	24	PK	SM00039		W	31-51-21	D04347J	21		N2	1		
197	24	PK	D00815	45		31-51-21	SM00039		W	N2	1		
198	24	PK	D00815	46		31-51-21	D04347J	6		N2	2		
199	20	PA	GDX0004	S..	2	31-51-31	D04597J	14		N2	2		
201B	24	PW	D01489	43		31-51-33	SM00004		W	N2	1		
201R	24	PW	D01489	9		31-51-33	SM00003		W	N2			
201Z			D01489	DED		31-51-33	SM00003	REF		N2			
204	20	UA	D04507J			27-32-11	GDX0004	S..	2	N2	2		
204B	24	PW	D00823	18		27-32-11	D04507J	12		N2	1		
204R	24	PW	D00823	16		27-32-11	D04507J	11		N2			
204Z			D04507J			27-32-11	D00823	DED		N2			
205B	24	PW	D00815	19		31-51-21	SM00007		W	N2	1		
205R	24	PW	D00815	52		31-51-21	SM00006		W	N2			
205Z			D00815	DED		31-51-21	SM00006	REF		N2			
207	20	UA	D04597J			31-51-21	GDX0004	S..	2	N2	2		
207B	24	PW	SM00007		W	31-51-21	D04597J	4		N2	1		
207R	24	PW	SM00006		W	31-51-21	D04597J	3		N2			
207Z			SM00006	REF		31-51-21	D04597J			N2			
208	20	UA	D04301J			34-16-11	GDX0002	S..	2	N2	2		
208B	24	PW	D00821	36		34-16-11	D04301J	9		N2	2		
208R	24	PW	D00821	2		34-16-11	D04301J	8		N2			
208Z			D00821	DED		34-16-11	D04301J			N2			
209B	24	PW	D01489	46		31-51-33	SM00007		W	N2	1		
209R	24	PW	D01489	12		31-51-33	SM00006		W	N2			
209Z			D01489	DED		31-51-33	SM00006	REF		N2			
212B	24	PW	D01433	36		31-51-42	SM00007		W	N2	1		
212R	24	PW	D01433	2		31-51-42	SM00006		W	N2			
212Z			D01433	DED		31-51-42	SM00006	REF		N2			
213	20	UA	D04507J			34-16-11	GDX0004	S..	2	N2	2		
213B	24	PW	D00821	35		34-16-11	D04507J	8		N2	2		
213R	24	PW	D00821	1		34-16-11	D04507J	9		N2	2		
213Z			D00821	DED		34-16-11	D04507J			N2			

286T0045-OAC
Wire Bundle Assembly
Figure 133 (Sheet 9)

25-71-02

WIRE		FROM EQUIPMENT		TO EQUIPMENT		WIRE INFO							
NUMBER	GA	TYP	NUMBER	TER	TT	WDM REF	NUMBER	TERM	TT	EMC/SEP	FT	NOTE	EFFECTIVITY
				M									
214	20	UA	D04349J			34-16-11	GDX0004	S..	2	N2	2		
214B	24	PW	D00821	37		34-16-11	D04349J	19		N2	2		
214R	24	PW	D00821	3		34-16-11	D04349J	18		N2			
214Z	24	PW	D00821	DED		34-16-11	D04349J			N2			
215B	24	PL	D01487	24		31-51-31	D04597J	12		N2	2		
215R	24	PL	D01487	23		31-51-31	D04597J	13		N2	2		
216B	24	PL	D00817	24		31-51-32	D04303J	12		N2	2		
216R	24	PL	D00817	23		31-51-32	D04303J	11		N2			
221B	24	PW	D01489	45		31-51-33	SM00004		W	N2	1		
221R	24	PW	D01489	11		31-51-33	SM00003	REF	W	N2			
221Z	24	PW	D01489	DED		31-51-33	SM00003	REF		N2	1		
223B	24	PW	D00821	38		34-16-11	SM00004		W	N2			
223R	24	PW	D00821	4		34-16-11	SM00003		W	N2			
223Z	24	PW	D00821	DED		34-16-11	SM00003	REF		N2			
224	20	UA	D04349J			27-32-21	GDX0004	S..	2	N2	2		
224B	24	PW	D04349J	28		27-32-21	D01381	18		N2	2		
224R	24	PW	D04349J	27		27-32-21	D01381	16		N2			
224Z	24	PW	D04349J			27-32-21	D01381	DED		N2			
225B	22	PR	D00811	69		31-51-11	SM00060		W	N2	2		
225R	22	PR	D00811	68		31-51-11	SM00060		W	N2			
225Z	22	PR	D00811	DED		31-51-11	SM00028	REF		N2			
226B	22	PR	D00813	69		31-51-12	SM00061		W	N2	2		
226R	22	PR	D00813	68		31-51-12	SM00061		W	N2			
226Z	22	PR	D00813	DED		31-51-12	SM00061		W	N2			
230	20	UA	D04347J			31-51-12	SM00030	REF		N2			
230B	24	PW	D04347J	18		31-51-33	GDX0003	S..	2	N2	2		
230R	24	PW	D04347J	17		31-51-33	SM00004		W	N2	1		
230Z	24	PW	D04347J			31-51-33	SM00003		W	N2			
236	20	UA	D04347J			31-51-33	SM00003	REF		N2			
236B	24	PW	D04347J	37		27-32-11	GDX0001	S..	2	N2	2		
236R	24	PW	D04347J	36		27-32-11	D00823	54		N2	2		
236Z	24	PW	D04347J			27-32-11	D00823	23		N2			
			D04347J			27-32-11	D00823	DED		N2			

 286T0045-OAC
 Wire Bundle Assembly
 Figure 133 (Sheet 10)

25-71-02

 TESTING & TROUBLE SHOOTING
 01 Page 180Z
 Nov 01/02



BOEING
COMPONENT
MAINTENANCE MANUAL

WIRE		FROM EQUIPMENT		TO EQUIPMENT		WIRE INFO							
NUMBER	GA	TYP	NUMBER	TER	TT	WDM REF	NUMBER	TERM	TT	EMC/SEP	FT	NOTE	EFFECTIVITY
237B	24	PW	D04347J	40		27-32-11	D00823	13		N2	2		
237R	24	PW	D04347J	39		27-32-11	D00823	12		N2			
237Z			D04347J			27-32-11	D00823	DED		N2			
238	20	UA	D04349J			27-32-21	GDX0001	S..	2	N2	2		
238B	24	PW	D04349J	49		27-32-21	D01381	54		N2	2		
238R	24	PW	D04349J	48		27-32-21	D01381	23		N2			
238Z			D04349J			27-32-21	D01381	DED		N2			
239B	24	PW	D01381	20		27-32-21	D04349J	55		N2	2		
239R	24	PW	D01381	19		27-32-21	D04349J	54		N2			
239Z			D01381	DED		27-32-21	D04349J			N2			
240B	24	PL	D04347J	23		31-51-31	SM00080		W	N2	1		
240R	24	PL	D04347J	22		31-51-31	SM00042		W	N2			
241B	24	PL	D01487	60		31-51-31	SM00080		W	N2	1		
241R	24	PL	D01487	28		31-51-31	SM00042		W	N2			
242B	24	PL	D00817	60		31-51-32	SM00080		W	N2	1		
242R	24	PL	D00817	28		31-51-32	SM00042		W	N2			
243B	24	PW	D04349J	52		27-32-21	D01381	13		N2	2		
243R	24	PW	D04349J	51		27-32-21	D01381	12		N2			
243Z			D04349J			27-32-21	D01381	DED		N2			
245B	24	PW	D00823	20		27-32-11	D04347J	48		N2	2		
245R	24	PW	D00823	19		27-32-11	D04347J	47		N2			
245Z			D00823	DED		27-32-11	D04347J			N2			
247	20	UA	D04349J			31-41-35	GDX0006	S..	2	N2	2		
247B	24	PW	D02261	42		31-41-35	D04349J	57		N2	2		
247R	24	PW	D02261	43		31-41-35	D04349J	56		N2			
247Z			D02261	DED		31-41-35	D04349J			N2			
248	20	UA	D04349J			28-41-11	GDX0006	S..	2	N2	2		
248B	24	PW	D02261	5		28-41-11	D04349J	60		N2	2		
248R	24	PW	D02261	8		28-41-11	D04349J	59		N2			
248Z			D02261	DED		28-41-11	D04349J			N2			
271B	24	PL	D04597J	5		31-51-31	SM00088		W	N2	1		
271R	24	PL	D04597J	2		31-51-31	SM00087		W	N2			

286T0045-OAC
Wire Bundle Assembly
Figure 133 (Sheet 11)

25-71-02

WIRE		FROM EQUIPMENT		TO EQUIPMENT		WIRE INFO						
NUMBER	GA	TYP	NUMBER	TER	WDM REF	NUMBER	TERM	TT	EMC/SEP	FT	NOTE	EFFECTIVITY
				M								
272B	24	PL	D01487	63	31-51-31	SM00088		W	N2	1		
272R	24	PL	D01487	62	31-51-31	SM00087		W	N2			
273B	24	PL	D00817	63	31-51-32	SM00088		W	N2	1		
273R	24	PL	D00817	62	31-51-32	SM00087		W	N2			
290B	24	PW	D04597J	8	34-43-15	SM00104		W	N2	1		
290R	24	PW	D04597J	7	34-43-15	SM00103		W	N2			
290Z			D04597J	9	34-43-15	SM00103		W	N2			
291B	24	PW	D04303J	4	34-43-15	SM00104		W	N2	1		
291R	24	PW	D04303J	3	34-43-15	SM00103		W	N2			
291Z			D04303J	5	34-43-15	SM00103		W	N2	1		
292B	24	PW	D04347J	53	34-43-15	SM00104		W	N2			
292R	24	PW	D04347J	51	34-43-15	SM00103		W	N2	1		
292Z			D04347J	61	34-43-15	SM00103		W	N2			
301	20	UA	SM00028	REF	31-51-11	GDX0005	S..	2	N2	1		
301B	22	PS	D00811	57	31-51-11	SM00028		W	N2	2		
301R	22	PS	D00811	38	31-51-11	SM00028		W	N2			
301Y	22	PS	D00811	58	31-51-11	SM00028		W	N2			
301Z			D00811	DED	31-51-11	SM00028	REF	W	N2	2		
302B	22	PS	D00811	42	31-51-11	SM00029		W	N2			
302R	22	PS	D00811	41	31-51-11	SM00029		W	N2			
302Y	22	PS	D00811	43	31-51-11	SM00029		W	N2			
302Z			D00811	DED	31-51-11	SM00028	REF	W	N2	2		
303B	22	PS	D00811	8	31-51-11	SM00026		W	N2			
303R	22	PS	D00811	7	31-51-11	SM00026		W	N2			
303Y	22	PS	D00811	9	31-51-11	SM00026		W	N2			
303Z			D00811	DED	31-51-11	SM00028	REF	W	N2	2		
304B	22	PS	D00811	25	31-51-11	SM00027		W	N2			
304R	22	PS	D00811	24	31-51-11	SM00027		W	N2			
304Y	22	PS	D00811	37	31-51-11	SM00027		W	N2			
304Z			D00811	DED	31-51-11	SM00028	REF	W	N2			
305	20	UA	SM00030	REF	31-51-12	GDX0005	S..	2	N2	1		
305B	22	PS	D00813	8	31-51-12	SM00030		W	N2	2		

286T0045-OAC
Wire Bundle Assembly
Figure 133 (Sheet 12)

25-71-02



BOEING
COMPONENT
MAINTENANCE MANUAL

WIRE		FROM EQUIPMENT		TO EQUIPMENT		WIRE INFO							
NUMBER	GA	TYP	NUMBER	TER	TT	WDM REF	NUMBER	TERM	TT	EMC/SEP	FT	NOTE	EFFECTIVITY
				M									
305R	22	PS	D00813	7		31-51-12	SM00030		W	N2			
305Y	22	PS	D00813	9		31-51-12	SM00030		W	N2			
305Z			D00813	DED		31-51-12	SM00030	REF		N2	2		
306B	22	PS	D00813	25		31-51-12	SM00031		W	N2			
306R	22	PS	D00813	24		31-51-12	SM00031		W	N2			
306Y	22	PS	D00813	37		31-51-12	SM00031	REF		N2			
306Z			D00813	DED		31-51-12	SM00030		W	N2	2		
307B	22	PS	D00813	57		31-51-12	SM00032		W	N2			
307R	22	PS	D00813	38		31-51-12	SM00032		W	N2			
307Y	22	PS	D00813	58		31-51-12	SM00032		W	N2			
307Z			D00813	DED		31-51-12	SM00030	REF		N2	2		
308B	22	PS	D00813	42		31-51-12	SM00033		W	N2			
308R	22	PS	D00813	41		31-51-12	SM00033		W	N2			
308Y	22	PS	D00813	43		31-51-12	SM00033		W	N2			
308Z			D00813	DED		31-51-12	SM00030	REF		N2			
512	24	PK	D02261	20		27-81-31	D04349J	8		N2	2		
601	20	PA	SM00060		W	31-51-11	GDX0004	D..	2	N2			
602	20	PA	SM00061		W	31-51-12	GDX0005	D..	2	N2			
603	24	PV	D04301J	5		31-51-12	M01103	INE	D	N2	1		
603Z			D04301J	DED		31-51-12	M01103			N2			
604	24	PV	D04301J	4		31-51-12	D00813	4		N2	3		
604Z			D04301J	DED		31-51-12	D00813			N2			
605	24	PV	D00813	1		31-51-12	M01103	OAD	D	N2	3		
605Z			D00813			31-51-12	M01103	DED		N2			
606	24	PV	D04349J	32		31-51-11	M01102	INE	D	N2	1		
606Z			D04349J	DED		31-51-11	M01102			N2			
607	24	PV	D04349J	33		31-51-11	D00811	4		N2	3		
607Z			D04349J	DED		31-51-11	D00811			N2			
608	24	PV	D00811	1		31-51-11	M01102	OAD	D	N2	3		
608Z			D00811			31-51-11	M01102	DED		N2			
610	24	PK	D00823	37		27-32-11	SM00050		W	N2	1		
611	24	PK	D01433	6		31-51-42	D04347J	20		N2	2		

286T0045-OAC
Wire Bundle Assembly
Figure 133 (Sheet 13)

25-71-02

WIRE		FROM EQUIPMENT		TO EQUIPMENT		WIRE INFO							
NUMBER	GA	TYP	NUMBER	TER	TT	WDM REF	NUMBER	TERM	TT	EMC/SEP	FT	NOTE	EFFECTIVITY
612	24	PK	D01433	4		31-51-42	SM00050		W	N2	1		
613	24	PK	D04349J	30		31-51-31	SM00065		W	N2	1		
614	24	PK	D01487	52		31-51-31	SM00065		W	N2	1		
615	24	PK	D00817	52		31-51-32	SM00065		W	N2	1		
617	24	PK	D01381	11		27-32-12	D00823	56		N2	1		
618	24	PK	D01381	56		27-32-12	D00823	11		N2	1		
619	24	PK	D00823	45		27-32-12	SM00082		W	N2	1		
620	24	PK	D04349J	29		31-51-21	SM00071		W	N2	1		
621	24	PK	D00815	7		31-51-21	SM00071		W	N2	1		
622	24	PK	D01489	2		31-51-33	SM00071		W	N2	1		
623	24	PK	D01489	36		31-51-33	SM00038		W	N2	1		
624	24	PK	D00815	8		31-51-21	SM00045		W	N2	1		
625	24	PK	D01487	9		31-51-31	SM00034		W	N2	1		
628	22	PA	D01487	20		31-51-31	GDX0006	D..	2	N2	2		
629	22	PA	D01487	53		31-51-31	GDX0006	D..	2	N2	2		
630	22	PA	D01487	21		31-51-31	GDX0006	D..	2	N2	2		
631	24	PK	D00817	9		31-51-32	SM00034		W	N2	1		
634	22	PA	D00817	20		31-51-32	GDX0006	D..	2	N2	2		
635	22	PA	D00817	53		31-51-32	GDX0006	D..	2	N2	2		
636	22	PA	D00817	21		31-51-32	GDX0006	D..	2	N2	2		
644	22	PQ	D00823	66		27-32-31	D04347J	42		N2	2		
644Z			D00823	DED		27-32-31	D04347J	DED		N2	2		
646	22	PQ	D01381	66		27-32-31	D04349J	42		N2	2		
646Z			D01381	DED		27-32-31	D04349J	DED		N2	2		
648	24	PK	D04347J	32		34-16-11	D00821	40		N2	2		
649	24	PK	D04347J	33		34-16-11	SM00038		W	N2	1		
681	24	PK	D01433	10		31-51-43	D04507J	10		N2	2		
682	24	PK	D01433	13		31-51-43	D04347J	46		N2	2		
683	22	PA	D01433	41		31-51-43	SM00081		W	N2	1		
684	20	PA	GDX0001	D..	2	31-51-43	D04349J	47		N2	2		
685	24	PK	D00823	58		27-32-12	D01505	A1		N2	2		
686	24	PK	D00823	8		27-32-11	SM00038		W	N2	1		

286T0045-OAC
Wire Bundle Assembly
Figure 133 (Sheet 14)

25-71-02



BOEING
COMPONENT
MAINTENANCE MANUAL

WIRE NUMBER		WIRE INFO		TO EQUIPMENT		FROM EQUIPMENT		EQUIPMENT		EFFECTIVITY	
GA	TYP	WDM REF	NUMBER	TERM	TT	EMC/SEP	FT	NOTE	TT	EMC/SEP	EFFECTIVITY
687	24 PK	27-32-11	SM00081		W	N2	1				
688	24 PK	27-32-22	D01503	A1		N2	2				
689	24 PK	27-32-22	SM00085		W	N2	1				
692	24 PK	27-32-21	SM00038		W	N2	1				
693	24 PK	31-51-21	D00815	6		N2	2				
694	22 PA	31-51-43	SM00081		W	N2	1				
696	20 PA	27-32-12	SM00082		W	N2	1				
697	20 PA	27-32-22	SM00085		W	N2	1				
701	24 PK	31-51-21	D00815	22		N2					
702	24 PK	31-51-21	D00815	48		N2					
703	24 PK	31-51-41	SM00019		W	N2	1				
704	24 PK	31-51-41	D04511J	14		N2	1				
705	24 PK	31-51-41	D04511J	12		N2	2				
706	24 PK	31-51-41	D04349J	31		N2	2				
707	24 PK	31-51-41	D04509J	4		N2	2				
708	24 PK	31-51-41	D04349J	7		N2	2				
709	24 PK	31-51-41	SM00044		W	N2	1				
710	24 PK	31-51-41	SM00037		W	N2	1				
711	24 PK	31-51-41	D04349J	21		N2	2				
712	24 PK	31-51-41	D04349J	3		N2	2				
713	24 PK	31-51-41	D04347J	9		N2	2				
714	24 PK	31-51-41	D04349J	24		N2	2				
715	24 PK	31-51-42	SM00019		W	N2	1				
716	24 PK	31-51-42	SM00019		W	N2	1				
717	24 PK	31-51-42	SM00034		W	N2	1				
718	24 PK	31-51-42	D04509J	2		N2	2				
720	24 PK	31-51-42	SM00040		W	N2	1				
721	24 PK	31-51-42	D04347J	24		N2	2				
722	24 PK	31-51-42	D04349J	22		N2	2				
723	24 PK	31-51-42	SM00038		W	N2	1				
724	24 PK	31-51-42	SM00038		W	N2	1				
725	24 PK	31-51-42	D04347J	13		N2	2				

286T0045-OAC
Wire Bundle Assembly
Figure 133 (Sheet 15)

25-71-02

WIRE		FROM EQUIPMENT		TO EQUIPMENT		WIRE INFO							
NUMBER	GA	TYP	NUMBER	TER	TT	WDM REF	NUMBER	TERM	TT	EMC/SEP	FT	NOTE	EFFECTIVITY
726	22	PA	D04347J	14		31-51-21	SM00036		W	N2	1		
727	22	PA	D04301J	11		31-51-21	SM00035		W	N2	1		
728	24	PK	D04347J	1		31-51-41	D00819	35		N2	2		
729	24	PK	D04347J	2		31-51-41	D00819	1		N2	2		
730	24	PK	D04347J	3		31-51-41	D00819	36		N2	2		
731	24	PK	D04347J	4		31-51-41	D00819	2		N2	2		
732	24	PK	D04347J	5		31-51-42	D01433	20		N2	2		
733	24	PK	D04347J	16		34-16-11	D00821	65		N2	2		
734	24	PK	D04347J	8		31-51-31	SM00046		W	N2	1		
735	24	PK	D04507J	7		34-16-11	D00821	34		N2	2		
736	24	PK	D04507J	2		34-16-11	D00821	66		N2	2		
737	24	PK	SM00041		W	34-16-11	D00821	31		N2	1		
738	24	PK	D04347J	19		34-16-11	D00821	7		N2	2		
739	24	PK	SM00075		W	34-16-11	D00821	6		N2	1		
741	24	PK	D00821	18		34-16-11	D00821	22		N2			
742	24	PK	D00821	50		34-16-11	D00821	48		N2			
746	24	PK	D04597J	10		31-51-31	SM00043		W	N2	1		
747	24	PK	D01487	46		31-51-31	SM00043		W	N2	1		
748	24	PK	D04347J	7		31-51-31	SM00045		W	N2	1		
749	24	PK	D01487	10		31-51-31	SM00045		W	N2	1		
750	24	PK	D01487	19		31-51-31	SM00046		W	N2	1		
751	24	PK	D01487	13		31-51-31	SM00040		W	N2	1		
752	24	PK	D01487	47		31-51-31	SM00044		W	N2	1		
753	24	PK	D01487	51		31-51-31	SM00041		W	N2	1		
755	24	PV	D01487	1		31-51-31	SM00035		W	N2	1		
755Z			D01487	DED		31-51-31	SM00035	DED		N2			
756	24	PK	D01487	50		31-51-31	SM00036		W	N2	1		
757	24	PK	D01487	11		31-51-31	SM00039		W	N2	1		
758	24	PK	D01487	22		31-51-31	D01489	23		N2	2		
759	24	PK	D01487	55		31-51-31	D01489	47		N2	2		
760	24	PK	D01487	34		31-51-31	D01489	51		N2	2		
761	24	PK	D01487	66		31-51-31	D01489	57		N2	2		

286T0045-OAC
Wire Bundle Assembly
Figure 133 (Sheet 16)

25-71-02



BOEING
COMPONENT
MAINTENANCE MANUAL

WIRE NUMBER		WIRE INFO		TO EQUIPMENT		FROM EQUIPMENT		WDM REF		TO EQUIPMENT		WIRE INFO		
GA	TYP	NUMBER	TER	TT	NUMBER	TER	TT	NUMBER	TER	TT	EMC/SEP	FT	NOTE	EFFECTIVITY
762	24	PK	D00817	10	31-51-32	SM00045	W	SM00045		W	N2	1		
763	24	PK	D00817	46	31-51-32	SM00043	W	SM00043		W	N2	1		
764	24	PV	D00817	1	31-51-32	SM00035	W	SM00035		W	N2	1		
764Z			D00817	DED	31-51-32	SM00035	DED	SM00035		DED	N2			
765	24	PK	D00817	50	31-51-32	SM00036	W	SM00036		W	N2	1		
766	24	PV	D00817	11	31-51-32	SM00053	W	SM00053		W	N2	1		
766Z			D00817	DED	31-51-32	SM00053	DED	SM00053		DED	N2			
767	24	PK	D00817	19	31-51-32	SM00046	W	SM00046		W	N2	1		
768	24	PK	D00817	13	31-51-32	SM00040	W	SM00040		W	N2	1		
769	24	PK	D00817	47	31-51-32	SM00044	W	SM00044		W	N2	1		
770	24	PK	D00817	51	31-51-32	SM00041	W	SM00041		W	N2	1		
772	24	PK	D00817	22	31-51-32	D01489	54	D01489			N2	2		
773	24	PK	D00817	55	31-51-32	D01489	13	D01489			N2	2		
774	24	PK	D00817	34	31-51-32	D01489	25	D01489			N2	2		
775	24	PK	D00817	66	31-51-32	D01489	58	D01489			N2	2		
776	24	PK	D01489	42	31-51-33	D04347J	15	D04347J			N2	2		
777	24	PK	D01489	8	31-51-33	D04349J	13	D04349J			N2	2		
779	24	PK	D01489	35	31-51-33	D04349J	40	D04349J			N2	2		
780	24	PK	D01489	53	31-51-33	D04349J	2	D04349J			N2	2		
781	24	PK	D01489	31	31-51-33	D01489	48	D01489			N2			
782	24	PK	D01489	18	31-51-33	D01489	22	D01489			N2			
783	24	PK	D01489	38	31-51-33	SM00008	W	SM00008		W	N2	1		
784	24	PK	D01489	4	31-51-33	SM00011	W	SM00011		W	N2	1		
785	24	PK	D01489	37	31-51-33	SM00012	W	SM00012		W	N2	1		
786	24	PK	D01489	3	31-51-33	SM00010	W	SM00010		W	N2	1		
787	24	PK	D01489	1	31-51-33	SM00009	W	SM00009		W	N2	1		
788	24	PK	D01489	6	31-51-33	SM00034	W	SM00034		W	N2	1		
789	24	PK	D01489	41	31-51-33	D04509J	11	D04509J			N2	2		
791	24	PK	D01489	7	31-51-33	D04509J	10	D04509J			N2	2		
792	24	PK	D01489	40	31-51-33	D04509J	9	D04509J			N2	2		
793	24	PK	D00819	11	31-51-41	SM00075	W	SM00075		W	N2	1		
794	20	PA	D04303J	10	31-51-32	GDX0004	S..	GDX0004			N2	2		

286T0045-OAC
Wire Bundle Assembly
Figure 133 (Sheet 17)

25-71-02

WIRE		FROM EQUIPMENT		TO EQUIPMENT		WIRE INFO							
NUMBER	GA	TYP	NUMBER	TER	TT	WDM REF	NUMBER	TERM	TT	EMC/SEP	FT	NOTE	EFFECTIVITY
				M									
795	24	PK	D01433	9		31-51-42	D01433	48		N2			
796	24	PK	D01433	22		31-51-42	D01433	50		N2			
797	24	PV	D00815	41		31-51-21	SM00053		W	N2	1		
797Z			D00815	DED		31-51-21	SM00053	DED		N2			
798	24	PV	D04349J	9		31-51-21	SM00053	DED	W	N2	1		
798Z			D04349J	DED		31-51-21	SM00053	DED		N2			
817	24	PK	D00823	55		27-32-12	D11553	6		N2	2		
818	24	PK	D00823	21		27-32-12	D11553	4		N2	2		
819	24	PK	D00823	51		27-32-12	D11553	3		N2	2		
820	24	PK	D00823	50		27-32-12	D11553	2		N2	2		
821	24	PK	D00823	49		27-32-12	D11553	7		N2	2		
822	24	PK	D00823	47		27-32-12	D11553	8		N2	2		
823	24	PK	D00823	46		27-32-12	D11553	9		N2	2		
824	24	PK	D00823	53		27-32-12	D11553	5		N2	2		
825	24	PK	D00823	62		27-32-12	D11553	24		N2	2		
826	24	PK	D01381	55		27-32-22	D11553	16		N2	2		
827	24	PK	D01381	21		27-32-22	D11553	14		N2	2		
828	24	PK	D01381	51		27-32-22	D11553	13		N2	2		
829	24	PK	D01381	50		27-32-22	D11553	12		N2	2	ZSZ-B6	
830	24	PK	D01381	49		27-32-22	D11553	17		N2	2	ZSZ-B6	
831	24	PK	D01381	47		27-32-22	D11553	18		N2	2		
832	24	PK	D01381	46		27-32-22	D11553	19		N2	2		
833	24	PK	D01381	53		27-32-22	D11553	15		N2	2		
834	24	PK	D01381	62		27-32-22	D11553	34		N2	2		
835	24	PK	D04349J	50		27-32-21	D01381	64		N2	2		
836	20	PA	D04349J	53		27-32-21	GDX0002	S..	2	N2	2		
837	24	PK	D00823	42		27-32-12	SM00082		W	N2	1	PAJ-F2	
838	24	PK	D01381	42		27-32-22	SM00085		W	N2	1	PAJ-F2	
862	22	PA	D02261	30		31-41-35	GDX0006	S..	2	N2	1		
863	22	PA	D02261	32		31-41-35	GDX0006	S..	2	N2	1		
864	22	PA	D02261	33		31-41-35	GDX0006	S..	2	N2	1		
865	22	PA	D02261	64		31-41-35	GDX0006	S..	2	N2	1		

286T0045-OAC
Wire Bundle Assembly
Figure 133 (Sheet 18)

25-71-02



BOEING
COMPONENT
MAINTENANCE MANUAL

WIRE		FROM EQUIPMENT		TO EQUIPMENT		WIRE INFO							
NUMBER	GA	TYP	NUMBER	TER	TT	WDM REF	NUMBER	TERM	TT	EMC/SEP	FT	NOTE	EFFECTIVITY
				M									
866	24	PV	D02261	27		31-51-11	SM00018		W	N2	1		
866Z			D02261	DED		31-51-11	SM00018	REF		N2			
867	24	PV	D02261	28		31-51-11	SM00047		W	N2	1		
867Z			D02261	DED		31-51-11	SM00047	REF		N2			
868	24	PV	D02261	29		31-51-12	SM00054		W	N2	1		
868Z			D02261	DED		31-51-12	SM00054	REF		N2			
869	24	PK	D02261	34		31-51-12	SM00025		W	N2	1		
870	22	PA	D02261	56		31-51-12	GDX0001	S..	2	N2	2		
871	22	PA	D02261	57		31-51-12	GDX0003	S..	2	N2	2		
872	22	PA	D02261	59		31-51-11	GDX0005	S..	2	N2	1		
873	24	PV	D02261	60		31-51-12	SM00055		W	N2	1		
873Z			D02261	DED		31-51-12	SM00055	REF		N2			
874	24	PV	D02261	62		31-51-11	SM00049		W	N2	1		
874Z			D02261	DED		31-51-11	SM00049	REF		N2			
875	24	PV	D02261	63		31-51-12	SM00056		W	N2	1		
875Z			D02261	DED		31-51-12	SM00056	REF		N2			
876	24	PK	D02261	65		31-51-11	SM00022		W	N2	1		
877	24	PV	D00811	14		31-51-11	SM00018		W	N2	2		
877Z			D00811	DED		31-51-11	SM00018	REF		N2			
878	24	PV	D00811	48		31-51-11	SM00047		W	N2	2		
878Z			D00811	DED		31-51-11	SM00047	REF		N2			
879	24	PV	D00811	23		31-51-11	SM00049		W	N2	2		
879Z			D00811	DED		31-51-11	SM00049	REF		N2			
880	24	PV	D00813	14		31-51-12	SM00054		W	N2	2		
880Z			D00813	DED		31-51-12	SM00054	REF		N2			
881	24	PV	D00813	48		31-51-12	SM00055		W	N2	2		
881Z			D00813	DED		31-51-12	SM00055	REF		N2			
882	24	PV	D00813	23		31-51-12	SM00056		W	N2	2		
882Z			D00813	DED		31-51-12	SM00056	REF		N2			
883	22	PA	D02261	15		38-32-11	D04349J	26		N2	2		
884	22	PA	D02261	47		38-32-11	D04347J	27		N2	2		
885	24	PK	D04303J	9		31-51-21	SM00057		W	N2	1		

286T0045-0AC
Wire Bundle Assembly
Figure 133 (Sheet 19)

25-71-02

WIRE			FROM EQUIPMENT				TO EQUIPMENT			WIRE INFO			
NUMBER	GA	TYP	NUMBER	TER	TT	WDM REF	NUMBER	TERM	TT	EMC/SEP	FT	NOTE	EFFECTIVITY
886	24	PK	D04507J	3		31-51-21	SM00058		W	N2	1		
887	24	PK	D04507J	1		31-51-21	SM00058		W	N2	1		
888	24	PK	SM00057		W	31-51-21	D04349J	44		N2	1		

286T0045-OAC
 Wire Bundle Assembly
 Figure 133 (Sheet 20)

25-71-02

TESTING & TROUBLE SHOOTING
 01 Page 182H
 Nov 01/02



BOEING
COMPONENT
MAINTENANCE MANUAL

WIRE			FROM EQUIPMENT			TO EQUIPMENT			WIRE INFO				
NUMBER	GA	TYP	NUMBER	TERM	TT	WDM REF	NUMBER	TERM	TT	EMC/SEP	FT	NOTE	EFFECTIVITY
FRA			M01103			31-51-12	M01103	GND	D	N2			
FRB			D00813			31-51-12	D00813	59		N2			
FRC			M01102			31-51-11	M01102	GND	D	N2			
FRD			D00811			31-51-11	D00811	59		N2			
FRG			D04349J	58		31-41-35	D04349J			N2			
FRH			D04349J	61		28-41-11	D04349J			N2			
PA1			D00815	47		99-99-99	D00815	63		N2		DAW-B2	
PA2			D00817	8		99-99-99	D00817	57		N2		DAW-B2	
PA3			D00819	41		99-99-99	D00819	55		N2		DAW-B2	
PA4			D00821	43		99-99-99	D00821	60		N2		DAW-B2	
PA5			D00823	52		99-99-99	D00823	65		N2		DAW-B2	
PA6			D01433	44		99-99-99	D01433	61		N2		DAW-B2	
PA7			D01381	52		99-99-99	D01381	65		N2		DAW-B2	
PA8			D01487	8		99-99-99	D01487	57		N2		DAW-B2	
PA9			D01489	56		99-99-99	D01489	65		N2		DAW-B2	
PB4			D02261	54		99-99-99	D02261	61		N2		DAW-B2	
P01		SE	D11553							N2			
1	22	PA	D00811	60		31-51-11	GDX0001	S..	2	N2	3		
2	22	PA	D00821	14		31-51-11	GDX0002	D..	2	N2	2		
3	24	PV	D00811	26		31-51-11	D00821	27		N2	3		
003Z			D00811	DED		31-51-11	D00821			N2			
4	24	PV	D00811	49		31-51-11	D00821	32		N2	3		
004Z			D00811	DED		31-51-11	D00821			N2			
5	24	PV	D00811	35		31-51-11	D00821	17		N2	3		
005Z			D00811	DED		31-51-11	D00821			N2			
6	24	PK	SM00022		W	31-51-11	D00821	51		N2	1		
7	24	PK	D00811	65		31-51-11	SM00022		W	N2	2		
8	24	PK	D00819	37		31-51-11	SM00022		W	N2	1		
9	24	PV	D00819	27		31-51-11	D00811	13		N2	3		
009Z			D00811	DED		31-51-11	D00819			N2			
10	22	PA	D00819	14		31-51-11	GDX0001	D..	2	N2	2		
11	24	PK	D01433	51		31-51-11	SM00022		W	N2	1		

286T0045-0AD
Wire Bundle Assembly
Figure 134 (Sheet 1)

25-71-02

WIRE			FROM EQUIPMENT				TO EQUIPMENT				WIRE INFO			
NUMBER	GA	TYP	NUMBER	TERM	TT	WDM REF	NUMBER	TERM	TT	EMC/SEP	FT	NOTE	EFFECTIVITY	
12	24	PV	SM00018		W	31-51-11	D01433	27		N2	1			
012Z			SM00018	REF		31-51-11	D01433			N2				
13	24	PV	SM00047		W	31-51-11	D01433	32		N2	1			
013Z			SM00047	REF		31-51-11	D01433			N2				
14	24	PV	SM00049		W	31-51-11	D01433	17		N2	1			
014Z			SM00049	REF		31-51-11	D01433			N2				
15	22	PA	D01433	14	W	31-51-11	GDX0001	D..	2	N2	2			
16	20	PA	SM00028			31-51-11	GDX0005	D..	2	N2	2			
17	20	UA	GDX0002	S..	2	31-51-11	D00821			N2	2			
18	20	UA	GDX0005	S..	2	31-51-11	D00819			N2	2			
19	20	UA	D01433			31-51-11	GDX0002	S..	2	N2	2			
20	20	PA	GDX0005	D..	2	31-51-11	SM00029		W	N2	2			
21	20	UA	GDX0002	S..	2	31-51-11	D01503			N2	2			
23	20	UA	D00815			31-51-11	GDX0002	S..	2	N2	2			
24	24	PK	D04349J	38		31-51-11	SM00005		W	N2	1			
25	24	PK	D01503	A2		31-51-11	SM00005		W	N2	1			
26	20	PA	D01503	A3		31-51-11	SM00005		W	N2	2			
27	22	PQ	D01503	X2		31-51-11	GDX0003	D..	2	N2	2			
027Z			D00811	DED		31-51-11	D00811	75		N2	4			
28	24	PV	D01503	X1		31-51-11	D01503		W	N2	1			
028Z			SM00015	REF		31-51-11	SM00015			N2	2			
29	24	PV	D00811	46		31-51-11	D01503		W	N2	2			
029Z			SM00015	REF		31-51-11	SM00015			N2	2			
30	24	PK	SM00015		W	31-51-11	D00811	DED		N2	2			
32	20	PA	D11553	11		31-51-11	D11553	35		N2	1			
33	24	PK	D11553	37		31-51-11	GDX0003	D..	2	N2	2			
34	24	PK	D11553	36		31-51-11	D00811	34		N2	4			
35	22	PA	D00815	14		31-51-11	D00811	33		N2	4			
36	24	PV	D00815	27		31-51-11	GDX0001	D..	2	N2	2			
036Z			D00811	DED		31-51-11	D00811	12		N2	3			
37	24	PV	D00815	32		31-51-11	D00815			N2	2			
037Z			D00811	DED		31-51-11	D00811	17		N2	3			

286T0045-OAD
Wire Bundle Assembly
Figure 134 (Sheet 2)

25-71-02



BOEING
COMPONENT
MAINTENANCE MANUAL

WIRE		FROM EQUIPMENT		TO EQUIPMENT		WIRE INFO							
NUMBER	GA	TYP	NUMBER	TERM	TT	WDM REF	NUMBER	TERM	TT	EMC/SEP	FT	NOTE	EFFECTIVITY
38	24	FV	D00815	17		31-51-11	D00811	22		N2	3		
038Z			D00811	DED		31-51-11	D00815			N2			
39	24	PK	D00815	54		31-51-11	SM00020		W	N2	1		
40	24	PK	D00811	63		31-51-11	SM00020		W	N2	2		
41	24	PK	D00823	35		31-51-11	SM00020		W	N2	1		
42	24	PK	D01381	35		31-51-11	SM00020		W	N2	1		
45	22	PA	D01381	14		31-51-11	GDX0001	D..	2	N2	2		
46	22	PA	D01381	48		31-51-11	GDX0003	D..	2	N2	2		
47	24	FV	D01381	27		31-51-11	D00811	11		N2	3		
047Z			D00811	DED		31-51-11	D01381			N2			
48	24	FV	D01381	32		31-51-11	D00811	16		N2	3		
048Z			D00811	DED		31-51-11	D01381			N2			
49	24	FV	D01381	17		31-51-11	D00811	21		N2	3		
049Z			D00811	DED		31-51-11	D01381			N2			
52	22	PA	D00823	14		31-51-11	GDX0001	D..	2	N2	2		
53	22	PA	D00823	48		31-51-11	GDX0003	D..	2	N2	2		
54	24	FV	D00823	27		31-51-11	D00811	10		N2	3		
054Z			D00811	DED		31-51-11	D00823			N2			
55	24	FV	D00823	32		31-51-11	D00811	15		N2	3		
055Z			D00811	DED		31-51-11	D00823			N2			
56	24	FV	D00823	17		31-51-11	D00811	20		N2	3		
056Z			D00811	DED		31-51-11	D00823			N2			
57	22	PA	D00817	14		31-51-11	GDX0002	D..	2	N2	2		
58	24	FV	D00817	27		31-51-11	D00811	51		N2	3		
058Z			D00811	DED		31-51-11	D00817			N2			
59	24	PV	D00817	32		31-51-11	D00811	74		N2	3		
059Z			D00811	DED		31-51-11	D00817			N2			
60	24	PK	D00817	45		31-51-11	SM00021		W	N2	1		
61	24	PK	D00811	64		31-51-11	SM00021		W	N2	2		
62	24	PK	D01489	16		31-51-11	SM00021		W	N2	1		
63	24	PK	D01487	45		31-51-11	SM00021		W	N2	1		
64	24	FV	D01487	27		31-51-11	D00811	47		N2	3		

286T0045-0AD
Wire Bundle Assembly
Figure 134 (Sheet 3)

25-71-02

WIRE NUMBER	GA	TYP	FROM EQUIPMENT			TO EQUIPMENT			WIRE INFO			
			NUMBER	TERM	TT	WDM REF	NUMBER	TERM	TT	EMC/SEP	FT	NOTE
064Z			D00811	DED		31-51-11	D01487		N2			
65	24	PV	D01487	32		31-51-11	D00811	70	N2	3		
065Z			D00811	DED		31-51-11	D01487		N2			
66	22	PA	D01487	14		31-51-11	GDX0003	D..	N2	2		
67	24	PV	D01489	27		31-51-11	D00811	45	N2	3		
067Z			D00811	DED		31-51-11	D01489		N2			
68	24	PV	D01489	32		31-51-11	D00811	50	N2	3		
068Z			D00811	DED		31-51-11	D01489		N2			
69	24	PV	D01489	17		31-51-11	D00811	36	N2	3		
069Z			D00811	DED		31-51-11	D01489		N2			
70	22	PA	D01489	14		31-51-11	GDX0003	D..	N2	2		
71	20	UA	D01381			31-51-11	GDX0002	S..	N2	2		
72	20	UA	D00823			31-51-11	GDX0002	S..	N2	2		
73	20	UA	D00817			31-51-11	GDX0002	S..	N2	2		
74	20	PA	SM00026		W	31-51-11	GDX0005	D..	N2	2		
75	20	UA	D01487			31-51-11	GDX0005	S..	N2	2		
76	20	UA	GDX0005	S..	2	31-51-11	D01489		N2	2		
77	24	PK	D02261	40		31-41-35	D04349J	1	N2	2		
78	20	PA	SM00027		W	31-51-11	GDX0005	D..	N2	2		
79	22	PA	D00813	60		31-51-12	GDX0003	S..	N2	3		
80	22	PA	D00821	15		31-51-12	GDX0002	D..	N2	2		
81	24	PV	D00821	30		31-51-12	D00813	26	N2	3		
081Z			D00813	DED		31-51-12	D00821		N2			
82	24	PV	D00821	33		31-51-12	D00813	49	N2	3		
082Z			D00813	DED		31-51-12	D00821		N2			
83	24	PV	D00821	24		31-51-12	D00813	35	N2	3		
083Z			D00813	DED		31-51-12	D00821		N2			
84	24	PK	D00821	19		31-51-12	SM00025		N2	1		
85	24	PK	D00813	65		31-51-12	SM00025		N2	2		
86	24	PK	D00819	3		31-51-12	SM00025		N2	1		
87	24	PK	D01433	18		31-51-12	SM00025		N2	1		
88	22	PA	D01433	15		31-51-12	GDX0002	D..	N2	2		

286T0045-0AD
Wire Bundle Assembly
Figure 134 (Sheet 4)

25-71-02



BOEING
COMPONENT
MAINTENANCE MANUAL

WIRE		FROM EQUIPMENT			TO EQUIPMENT			WIRE INFO					
NUMBER	GA	TYP	NUMBER	TERM	TT	WDM REF	NUMBER	TERM	TT	EMC/SEP	FT	NOTE	EFFECTIVITY
89	24	PV	D01433	30		31-51-12	SM00054		W	N2	1		
089Z			SM00054	REF		31-51-12	D01433			N2			
90	24	PV	D01433	33		31-51-12	SM00055		W	N2	1		
090Z			SM00055	REF		31-51-12	D01433			N2			
91	24	PV	D01433	24		31-51-12	SM00056		W	N2	1		
091Z			SM00056	REF		31-51-12	D01433			N2			
92	22	PA	D00819	15		31-51-12	GDX0002	D..	2	N2	2		
93	24	PV	D00819	30		31-51-12	D00813	13		N2	3		
093Z			D00813	DED		31-51-12	D00819			N2			
94	20	PA	SM00032		W	31-51-12	GDX0005	D..	2	N2	3		
95	24	PV	D01505	X2		31-51-12	D00813	75		N2			
095Z			D00813	DED		31-51-12	D01505			N2			
96	24	PV	D01505	X1		31-51-12	SM00016		W	N2	1		
096Z			SM00016	REF		31-51-12	D01505			N2			
97	24	PV	D00813	46		31-51-12	SM00016		W	N2	2		
097Z			SM00016	REF		31-51-12	D00813	DED		N2			
98	20	PA	SM00033		W	31-51-12	GDX0005	D..	2	N2			
99	24	PK	SM00016			31-51-12	D11553	25		N2	1		
10A	24	PK	D01489	21	W	31-51-33	D04349J	23		N2	2		
100	20	PA	D11553	1		31-51-12	GDX0003	D..	2	N2	2		
101	20	UA	D00821			31-51-12	GDX0004	S..	2	N2	2		
102	20	UA	D00819			31-51-12	GDX0004	S..	2	N2	2		
103	20	UA	D01433			31-51-12	GDX0004	S..	2	N2	2		
104	20	UA	D01505			31-51-12	GDX0005	S..	2	N2	2		
106	20	UA	D00815			31-51-12	GDX0004	S..	2	N2	2		
107	20	UA	D01381			31-51-12	GDX0004	S..	2	N2	2		
109	20	UA	D00817			31-51-12	GDX0004	S..	2	N2	2		
110	20	UA	D01487			31-51-12	GDX0001	S..	2	N2	2		
111	20	UA	D01489			31-51-12	GDX0001	S..	2	N2	2		
112	22	PA	D00815	15		31-51-12	GDX0001	D..	2	N2	2		
113	24	PK	D01505	A2		31-51-12	SM00005		W	N2	1		
114	20	PA	D01505	A3		31-51-12	GDX0003	D..	2	N2	2		

286T0045-0AD
Wire Bundle Assembly
Figure 134 (Sheet 5)

25-71-02

WIRE NUMBER	GA	TYP	FROM EQUIPMENT		TO EQUIPMENT		WIRE INFO							
			NUMBER	TERM	TT	WDM REF	NUMBER	TERM	TT	EMC/SEP	FT	NOTE	EFFECTIVITY	
115	24	PK	D02261	21		21-61-51	D04347J	25				2		
116	24	PK	D00815	21		31-51-12	SM00023		W			1		
117	24	PK	D00813	63		31-51-12	SM00023		W			2		
118	24	PK	D00823	1		31-51-12	SM00023		W			1		
119	24	PK	D01381	1		31-51-12	SM00023		W			1		
120	22	PA	D01381	15		31-51-12	GDX0001	D..	2			2		
121	24	PK	D00817	56		31-51-12	SM00024		W			1		
122	24	PK	D00813	64		31-51-12	SM00024		W			2		
123	24	PK	D01487	56		31-51-12	SM00024		W			1		
124	22	PA	D00823	15		31-51-12	GDX0001	D..	2			2		
125	20	UA	D00823			31-51-12	GDX0004	S..	2			2		
126	24	PV	D00823	33		31-51-12	D00813	15				3		
126Z			D00823			31-51-12	D00813	DED						
127	24	PV	D00823	24		31-51-12	D00813	20				3		
127Z			D00823			31-51-12	D00813	DED						
128	22	PA	D00817	15		31-51-12	GDX0002	D..	2			2		
129	24	PV	D00817	30		31-51-12	D00813	51				3		
129Z			D00817			31-51-12	D00813	DED						
130	24	PV	D00817	33		31-51-12	D00813	74				3		
130Z			D00817			31-51-12	D00813	DED						
131	24	PV	D00813	11		31-51-12	D01381	30				3		
131Z			D01381			31-51-12	D00813	DED						
132	24	PV	D00813	16		31-51-12	D01381	33				3		
132Z			D01381			31-51-12	D00813	DED						
133	24	PV	D01381	24		31-51-12	D00813	21				3		
133Z			D01381			31-51-12	D00813	DED						
134	24	PK	D01489	50		31-51-12	SM00024		W			1		
135	24	PV	D01487	30		31-51-12	D00813	47				3		
135Z			D01487			31-51-12	D00813	DED						
136	24	PV	D01487	33		31-51-12	D00813	70				3		
136Z			D01487			31-51-12	D00813	DED						
137	22	PA	D01487	15		31-51-12	GDX0003	D..	2			2		

286T0045-OAD
Wire Bundle Assembly
Figure 134 (Sheet 6)

25-71-02



BOEING
COMPONENT
MAINTENANCE MANUAL

WIRE		FROM EQUIPMENT			TO EQUIPMENT			WIRE INFO					
NUMBER	GA	TYP	NUMBER	TERM	TT	WDM REF	NUMBER	TERM	TT	EMC/SEP	FT	NOTE	EFFECTIVITY
138	24	FV	D01489	30		31-51-12	D00813	45		N2	3		
138Z			D01489			31-51-12	D00813	DED		N2			
139	24	FV	D01489	33		31-51-12	D00813	50		N2	3		
139Z			D01489			31-51-12	D00813	DED		N2			
140	24	FV	D01489	24		31-51-12	D00813	36		N2	3		
140Z			D01489			31-51-12	D00813	DED		N2			
141	22	PA	D01489	15		31-51-12	GDX0003	D..	2	N2	2		
142	24	PK	D00813	33		31-51-12	D11553	26		N2	3		
143	24	PK	D11553	27		31-51-12	D00813	34		N2	3		
144	24	FV	D00813	12		31-51-12	D00815	30		N2	3		
144Z			D00813	DED		31-51-12	D00815			N2			
145	20	PA	SM00030		W	31-51-12	GDX0005	D..	2	N2			
146	24	FV	D00813	17		31-51-12	D00815	33		N2	3		
146Z			D00813	DED		31-51-12	D00815			N2			
147	24	FV	D00813	22		31-51-12	D00815	24		N2	3		
147Z			D00813	DED		31-51-12	D00815			N2			
148	24	FV	D00813	10		31-51-12	D00823	30		N2	3		
148Z			D00813	DED		31-51-12	D00823			N2			
149	20	PA	SM00031		W	31-51-12	GDX0005	D..	2	N2			
150	22	PA	D04301J	6		27-32-11	D00823	34		N2	2		
151	24	PK	D04509J	1		27-32-11	D00823	39		N2	2		
152	24	PK	D04347J	26		27-32-11	D00823	40		N2	2		
153	24	PK	D00823	31		27-32-11	D04509J	6		N2	2		
154	20	PA	D04509J	7		27-32-11	GDX0001	D..	2	N2	2		
155	24	PK	SM00037		W	27-32-11	D04511J	3		N2	1		
156	24	PK	D00823	38		27-32-11	D04511J	2		N2	2		
157	24	PK	D04511J	4		27-32-11	SM00050		W	N2	1		
158	24	PK	SM00037		W	27-32-11	D00823	4		N2	1		
159	24	PK	D04349J	14		27-32-11	D00823	36		N2	1		
160	24	PK	D04349J	15		27-32-11	D00823	3		N2	1		
161	24	PK	D04349J	16		27-32-11	D00823	43		N2	1		
162	24	PK	D04349J	10		27-32-11	D00823	2		N2	1		

286T0045-0AD
Wire Bundle Assembly
Figure 134 (Sheet 7)

25-71-02

WIRE		FROM EQUIPMENT			TO EQUIPMENT			WIRE INFO					
NUMBER	GA	TYP	NUMBER	TERM	TT	WDM REF	NUMBER	TERM	TT	EMC/SEP	FT	NOTE	EFFECTIVITY
165	22	PA	D04349J	11		27-32-21	D01381	34		N2	2		
166	24	PK	D01381	40		27-32-21	D04349J	6		N2	2		
167	24	PK	D01381	31		27-32-21	D04511J	7		N2	2		
168	20	PA	GDX0002	D..	2	27-32-21	D04511J	8		N2	2		
169	24	PK	D04349J	34		27-32-21	D01381	36		N2	2		
170	24	PK	D04349J	35		27-32-21	D01381	3		N2	2		
171	24	PK	D04349J	36		27-32-21	D01381	43		N2	2		
172	24	PK	D04349J	37		27-32-21	D01381	2		N2	2		
173	24	PK	D04511J	13		27-32-21	D01381	4		N2	2		
174	24	PK	D04511J	16		27-32-21	D01381	37		N2	2		
175	24	PK	D04511J	15		27-32-21	D01381	38		N2	2		
176	24	PK	D04509J	8		27-32-21	D01381	39		N2	2		
177	24	PK	D00815	34		31-51-21	SM00057		W	N2	1		
178	24	PK	D00815	43		31-51-21	D01433	19		N2	2		
179	24	PK	D00815	10		31-51-21	D00819	5		N2	2		
180	24	PK	D04507J	5		31-51-21	SM00034		W	N2	1		
181	24	PK	SM00058		W	31-51-21	D00815	66		N2	1		
182	24	PK	D00815	4		31-51-21	SM00034		W	N2	1		
183	24	PK	D00815	11		31-51-21	SM00036		W	N2	2		
184	22	PA	D00815	37		31-51-21	D04349J	39		N2	2		
185	22	PA	D00815	42		31-51-21	SM00035		W	N2	1		
186	24	PK	D04349J	5		31-51-21	SM00012		W	N2	1		
187	24	PK	D00815	2		31-51-21	SM00012		W	N2	1		
188	24	PK	SM00011		W	31-51-21	SM00012		W	N2	1		
189	24	PK	SM00011		W	31-51-21	D04349J	4		N2	1		
190	24	PK	D04349J	12		31-51-21	D00815	35		N2	1		
191	24	PK	D00815	44		31-51-21	SM00009		W	N2	1		
192	24	PK	D04347J	10		31-51-21	SM00009		W	N2	1		
193	24	PK	D00815	1		31-51-21	SM00008		W	N2	1		
194	24	PK	D04347J	11		31-51-21	SM00008		W	N2	1		
195	24	PK	D00815	36		31-51-21	SM00010		W	N2	1		
196	24	PK	SM00039		W	31-51-21	SM00010		W	N2	1		
							D04347J	21		N2	1		

286T0045-OAD
Wire Bundle Assembly
Figure 134 (Sheet 8)

25-71-02



BOEING
COMPONENT
MAINTENANCE MANUAL

WIRE		FROM EQUIPMENT			TO EQUIPMENT			WIRE INFO					
NUMBER	GA	TYP	NUMBER	TERM	TT	WDM REF	NUMBER	TERM	TT	EMC/SEP	FT	NOTE	EFFECTIVITY
197	24	PK	D00815	45		31-51-21	SM00039		W	N2	1		
198	24	PK	D00815	46		31-51-21	D04347J	6		N2	2		
199	20	PA	GDX0004	S..	2	31-51-31	D04597J	14		N2	2		
201B	24	PW	D01489	43		31-51-33	SM00004		W	N2	1		
201R	24	PW	D01489	9		31-51-33	SM00003		W	N2			
201Z			D01489	DED		31-51-33	SM00003	REF		N2			
204	20	UA	D04507J			27-32-11	GDX0004	S..	2	N2	2		
204B	24	PW	D00823	18		27-32-11	D04507J	12		N2	1		
204R	24	PW	D00823	16		27-32-11	D04507J	11		N2			
204Z			D04507J			27-32-11	D00823	DED		N2			
205B	24	PW	D00815	19		31-51-21	SM00007		W	N2	1		
205R	24	PW	D00815	52		31-51-21	SM00006		W	N2			
205Z			D00815	DED		31-51-21	SM00006	REF		N2			
207	20	UA	D04597J			31-51-21	GDX0004	S..	2	N2	2		
207B	24	PW	SM00007		W	31-51-21	D04597J	4		N2	1		
207R	24	PW	SM00006		W	31-51-21	D04597J	3		N2			
207Z			SM00006	REF		31-51-21	D04597J			N2			
208	20	UA	D04301J			34-16-11	GDX0002	S..	2	N2	2		
208B	24	PW	D00821	36		34-16-11	D04301J	9		N2	2		
208R	24	PW	D00821	2		34-16-11	D04301J	8		N2			
208Z			D00821	DED		34-16-11	D04301J			N2			
209B	24	PW	D01489	46		31-51-33	SM00007		W	N2	1		
209R	24	PW	D01489	12		31-51-33	SM00006		W	N2			
209Z			D01489	DED		31-51-33	SM00006	REF		N2			
212B	24	PW	D01433	36		31-51-42	SM00007		W	N2	1		
212R	24	PW	D01433	2		31-51-42	SM00006		W	N2			
212Z			D01433	DED		31-51-42	SM00006	REF		N2			
213	20	UA	D04507J			34-16-11	GDX0004	S..	2	N2	2		
213B	24	PW	D00821	35		34-16-11	D04507J	8		N2	2		
213R	24	PW	D00821	1		34-16-11	D04507J	9		N2			
213Z			D00821	DED		34-16-11	D04507J			N2			
214	20	UA	D04349J			34-16-11	GDX0004	S..	2	N2	2		

286T0045-0AD
Wire Bundle Assembly
Figure 134 (Sheet 9)

25-71-02

WIRE		FROM EQUIPMENT		TO EQUIPMENT		WIRE INFO							
NUMBER	GA	TYP	NUMBER	TERM	TT	WDM REF	NUMBER	TERM	TT	EMC/ SEP	FT	NOTE	EFFECTIVITY
214B	24	PW	D00821	37		34-16-11	D04349J	19		N2	2		
214R	24	PW	D00821	3		34-16-11	D04349J	18		N2			
214Z			D00821	DED		34-16-11	D04349J			N2			
215B	24	PL	D01487	24		31-51-31	D04597J	12		N2	2		
215R	24	PL	D01487	23		31-51-31	D04597J	13		N2			
216B	24	PL	D00817	24		31-51-32	D04303J	12		N2	2		
216R	24	PL	D00817	23		31-51-32	D04303J	11		N2			
221B	24	PW	D01489	45		31-51-33	SM00004		W	N2	1		
221R	24	PW	D01489	11		31-51-33	SM00003		W	N2			
221Z			D01489	DED		31-51-33	SM00003	REF		N2			
223B	24	PW	D00821	38		34-16-11	SM00004		W	N2	1		
223R	24	PW	D00821	4		34-16-11	SM00003		W	N2			
223Z			D00821	DED		34-16-11	SM00003	REF		N2			
224	20	UA	D04349J			27-32-21	GDX0004	S..	2	N2	2		
224B	24	PW	D04349J	28		27-32-21	D01381	18		N2	2		
224R	24	PW	D04349J	27		27-32-21	D01381	16		N2			
224Z			D04349J			27-32-21	D01381	DED		N2			
225B	22	PR	D00811	69		31-51-11	SM00060		W	N2	2		
225R	22	PR	D00811	68		31-51-11	SM00060		W	N2			
225Z			D00811	DED		31-51-11	SM00028	REF		N2			
226B	22	PR	D00813	69		31-51-12	SM00061		W	N2	2		
226R	22	PR	D00813	68		31-51-12	SM00061		W	N2			
226Z			D00813	DED		31-51-12	SM00030	REF		N2			
230	20	UA	D04347J			31-51-33	GDX0003	S..	2	N2	2		
230B	24	PW	D04347J	18		31-51-33	SM00004		W	N2	1		
230R	24	PW	D04347J	17		31-51-33	SM00003		W	N2			
230Z			D04347J			31-51-33	SM00003	REF		N2			
236	20	UA	D04347J			27-32-11	GDX0001	S..	2	N2	2		
236B	24	PW	D04347J	37		27-32-11	D00823	54		N2	2		
236R	24	PW	D04347J	36		27-32-11	D00823	23		N2			
236Z			D04347J			27-32-11	D00823	DED		N2			
237B	24	PW	D04347J	40		27-32-11	D00823	13		N2	2		

286T0045-OAD
Wire Bundle Assembly
Figure 134 (Sheet 10)

25-71-02



BOEING
COMPONENT
MAINTENANCE MANUAL

WIRE			FROM EQUIPMENT			TO EQUIPMENT			WIRE INFO				
NUMBER	GA	TYP	NUMBER	TERM	TT	WDM REF	NUMBER	TERM	TT	EMC/SEP	FT	NOTE	EFFECTIVITY
237R	24	PW	D04347J	39		27-32-11	D00823	12		N2			
237Z			D04347J			27-32-11	D00823	DED		N2			
238	20	UA	D04349J			27-32-21	GDX0001	S..	2	N2	2		
238B	24	PW	D04349J	49		27-32-21	D01381	54		N2	2		
238R	24	PW	D04349J	48		27-32-21	D01381	23		N2			
238Z			D04349J			27-32-21	D01381	DED		N2			
239B	24	PW	D01381	20		27-32-21	D04349J	55		N2	2		
239R	24	PW	D01381	19		27-32-21	D04349J	54		N2			
239Z			D01381	DED		27-32-21	D04349J			N2			
240B	24	PL	D04347J	23		31-51-31	SM00080		W	N2	1		
240R	24	PL	D04347J	22		31-51-31	SM00042		W	N2			
241B	24	PL	D01487	60		31-51-31	SM00080		W	N2	1		
241R	24	PL	D01487	28		31-51-31	SM00042		W	N2			
242B	24	PL	D00817	60		31-51-32	SM00080		W	N2	1		
242R	24	PL	D00817	28		31-51-32	SM00042		W	N2			
243B	24	PW	D04349J	52		27-32-21	D01381	13		N2	2		
243R	24	PW	D04349J	51		27-32-21	D01381	12		N2			
243Z			D04349J			27-32-21	D01381	DED		N2			
245B	24	PW	D00823	20		27-32-11	D04347J	48		N2	2		
245R	24	PW	D00823	19		27-32-11	D04347J	47		N2			
245Z			D00823	DED		27-32-11	D04347J			N2			
247	20	UA	D04349J			31-41-35	GDX0006	S..	2	N2	2		
247B	24	PW	D02261	42		31-41-35	D04349J	57		N2	2		
247R	24	PW	D02261	43		31-41-35	D04349J	56		N2			
247Z			D02261	DED		31-41-35	D04349J			N2			
248	20	UA	D04349J			28-41-11	GDX0006	S..	2	N2	2		
248B	24	PW	D02261	5		28-41-11	D04349J	60		N2	2		
248R	24	PW	D02261	8		28-41-11	D04349J	59		N2			
248Z			D02261	DED		28-41-11	D04349J			N2			
271B	24	PL	D04597J	5		31-51-31	SM00088		W	N2	1		
271R	24	PL	D04597J	2		31-51-31	SM00087		W	N2			
272B	24	PL	D01487	63		31-51-31	SM00088		W	N2	1		

286T0045-0AD
Wire Bundle Assembly
Figure 134 (Sheet 11)

25-71-02

WIRE		FROM EQUIPMENT		TO EQUIPMENT		WIRE INFO							
NUMBER	GA	TYP	NUMBER	TERM	TT	WDM REF	NUMBER	TERM	TT	EMC/SEP	FT	NOTE	EFFECTIVITY
272R	24	PL	D01487	62		31-51-31	SM00087		W	N2			
273B	24	PL	D00817	63		31-51-32	SM00088		W	N2	1		
273R	24	PL	D00817	62		31-51-32	SM00087		W	N2			
290B	24	PW	D04597J	8		34-43-15	SM00104		W	N2	1		
290R	24	PW	D04597J	7		34-43-15	SM00103	REF	W	N2			
290Z			D04597J	9		34-43-15	SM00103		W	N2	1		
291B	24	PW	D04303J	5		34-43-15	SM00104		W	N2			
291R	24	PW	D04303J	4		34-43-15	SM00103	REF	W	N2			
291Z			D04303J	6		34-43-15	SM00103		W	N2	1		
292B	24	PW	D04347J	53		34-43-15	SM00104		W	N2			
292R	24	PW	D04347J	51		34-43-15	SM00103	REF	W	N2			
292Z			D04347J	61		34-43-15	SM00103		W	N2	1		
301	20	UA	SM00028	REF		31-51-11	GDX0005	S..	2	N2	1		
301B	22	PS	D00811	57		31-51-11	SM00028		W	N2	2		
301R	22	PS	D00811	38		31-51-11	SM00028		W	N2			
301Y	22	PS	D00811	58		31-51-11	SM00028		W	N2			
301Z			D00811	DED		31-51-11	SM00028	REF	W	N2			
302B	22	PS	D00811	42		31-51-11	SM00029		W	N2	2		
302R	22	PS	D00811	41		31-51-11	SM00029		W	N2			
302Y	22	PS	D00811	43		31-51-11	SM00029		W	N2			
302Z			D00811	DED		31-51-11	SM00028	REF	W	N2			
303B	22	PS	D00811	8		31-51-11	SM00026		W	N2	2		
303R	22	PS	D00811	7		31-51-11	SM00026		W	N2			
303Y	22	PS	D00811	9		31-51-11	SM00026		W	N2			
303Z			D00811	DED		31-51-11	SM00028	REF	W	N2			
304B	22	PS	D00811	25		31-51-11	SM00027		W	N2	2		
304R	22	PS	D00811	24		31-51-11	SM00027		W	N2			
304Y	22	PS	D00811	37		31-51-11	SM00027		W	N2			
304Z			D00811	DED		31-51-11	SM00028	REF	W	N2			
305	20	UA	SM00030	REF		31-51-12	GDX0005	S..	2	N2	1		
305B	22	PS	D00813	8		31-51-12	SM00030		W	N2	2		
305R	22	PS	D00813	7		31-51-12	SM00030		W	N2			

286T0045-OAD
Wire Bundle Assembly
Figure 134 (Sheet 12)

25-71-02



BOEING
COMPONENT
MAINTENANCE MANUAL

WIRE		FROM EQUIPMENT				TO EQUIPMENT				WIRE INFO			
NUMBER	GA	TYP	NUMBER	TERM	TT	WDM REF	NUMBER	TERM	TT	EMC/SEP	FT	NOTE	EFFECTIVITY
305Y	22	PS	D00813	9		31-51-12	SM00030		W	N2			
305Z		DED	D00813	DED		31-51-12	SM00030	REF		N2			
306B	22	PS	D00813	25		31-51-12	SM00031		W	N2	2		
306R	22	PS	D00813	24		31-51-12	SM00031		W	N2			
306Y	22	PS	D00813	37		31-51-12	SM00031		W	N2			
306Z		DED	D00813	DED		31-51-12	SM00030	REF		N2			
307B	22	PS	D00813	57		31-51-12	SM00032		W	N2	2		
307R	22	PS	D00813	38		31-51-12	SM00032		W	N2			
307Y	22	PS	D00813	58		31-51-12	SM00032		W	N2			
307Z		DED	D00813	DED		31-51-12	SM00030	REF		N2			
308B	22	PS	D00813	42		31-51-12	SM00033		W	N2	2		
308R	22	PS	D00813	41		31-51-12	SM00033		W	N2			
308Y	22	PS	D00813	43		31-51-12	SM00033		W	N2			
308Z		DED	D00813	DED		31-51-12	SM00030	REF		N2			
512	24	PK	D02261	20	W	27-81-31	D04349J	8		N2	2		
601	20	PA	SM00060		W	31-51-11	GDX0004	D..	2	N2			
602	20	PA	SM00061		W	31-51-12	GDX0005	D..	2	N2			
603	24	PV	D04301J	5		31-51-12	M01103	INE	D	N2	1		
603Z		DED	D04301J	DED		31-51-12	M01103			N2			
604	24	PV	D04301J	4		31-51-12	D00813	4		N2	3		
604Z		DED	D04301J	DED		31-51-12	D00813			N2			
605	24	PV	D00813	1		31-51-12	M01103	OAD	D	N2	3		
605Z		DED	D00813	DED		31-51-12	M01103	DED		N2			
606	24	PV	D04349J	32		31-51-11	M01102	INE	D	N2	1		
606Z		DED	D04349J	DED		31-51-11	M01102			N2			
607	24	PV	D04349J	33		31-51-11	M01102	4		N2	3		
607Z		DED	D04349J	DED		31-51-11	D00811			N2			
608	24	PV	D00811	1		31-51-11	D00811	OAD	D	N2	3		
608Z		DED	D00811	DED		31-51-11	M01102			N2			
610	24	PK	D00823	37		27-32-11	SM00050	20	W	N2	1		
611	24	PK	D01433	6		31-51-42	D04347J			N2	2		
612	24	PK	D01433	4		31-51-42	SM00050		W	N2	1		

286T0045-OAD
Wire Bundle Assembly
Figure 134 (Sheet 13)

25-71-02

WIRE		FROM EQUIPMENT			TO EQUIPMENT			WIRE INFO					
NUMBER	GA	TYP	NUMBER	TERM	TT	WDM REF	NUMBER	TERM	TT	EMC/ SEP	FT	NOTE	EFFECTIVITY
613	24	PK	D04349J	30		31-51-31	SM00065		W	N2	1		
614	24	PK	D01487	52		31-51-31	SM00065		W	N2	1		
615	24	PK	D00817	52		31-51-32	SM00065		W	N2	1		
617	24	PK	D01381	11		27-32-12	D00823	56		N2	1		
618	24	PK	D01381	56		27-32-12	D00823	11		N2	1		
619	24	PK	D00823	45		27-32-12	SM00082		W	N2	1		
620	24	PK	D04349J	29		31-51-21	SM00071		W	N2	1		
621	24	PK	D00815	7		31-51-21	SM00071		W	N2	1		
622	24	PK	D01489	2		31-51-33	SM00071		W	N2	1		
623	24	PK	D01489	36		31-51-33	SM00038		W	N2	1		
624	24	PK	D00815	8		31-51-21	SM00045		W	N2	1		
625	24	PK	D01487	9		31-51-31	SM00034		W	N2	1		
628	22	PA	D01487	20		31-51-31	GDX0006	D..	2	N2	2		
629	22	PA	D01487	53		31-51-31	GDX0006	D..	2	N2	2		
630	22	PA	D01487	21		31-51-31	GDX0006	D..	2	N2	2		
631	24	PK	D00817	9		31-51-32	SM00034		W	N2	1		
634	22	PA	D00817	20		31-51-32	GDX0006	D..	2	N2	2		
635	22	PA	D00817	53		31-51-32	GDX0006	D..	2	N2	2		
636	22	PA	D00817	21		31-51-32	GDX0006	D..	2	N2	2		
644	22	PQ	D00823	66		27-32-31	D04347J	42	2	N2	2		
644Z			D00823	DED		27-32-31	D04347J	DED		N2	2		
646	22	PQ	D01381	66		27-32-31	D04349J	42	2	N2	2		
646Z			D01381	DED		27-32-31	D04349J	DED		N2	2		
648	24	PK	D04347J	32		27-32-31	D04349J	DED		N2	2		
649	24	PK	SM00038	10		34-16-11	D00821	40		N2	2		
681	24	PK	D01433	10	W	34-16-11	D04347J	33		N2	1		
682	24	PK	D01433	13		31-51-43	D04507J	10		N2	2		
683	22	PA	D01433	41		31-51-43	D04347J	46		N2	2		
684	20	PA	GDX0001	D..	2	31-51-43	SM00081		W	N2	1		
685	24	PK	D00823	58		27-32-12	D04349J	47		N2	2		
686	24	PK	D00823	8		27-32-12	D01505	A1		N2	2		
687	24	PK	D00823	64		27-32-11	SM00038		W	N2	1		
						27-32-11	SM00081		W	N2	1		

286T0045-OAD
Wire Bundle Assembly
Figure 134 (Sheet 14)

25-71-02



BOEING
COMPONENT
MAINTENANCE MANUAL

WIRE			FROM EQUIPMENT				TO EQUIPMENT				WIRE INFO			
NUMBER	GA	TYP	NUMBER	TERM	TT	WDM REF	NUMBER	TERM	TT	EMC/SEP	FT	NOTE	EFFECTIVITY	
688	24	PK	D01381	58		27-32-22	D01503	A1		N2	2			
689	24	PK	D01381	45		27-32-22	SM00085		W	N2	1			
692	24	PK	D01381	8		27-32-21	SM00038		W	N2	1			
693	24	PK	D04347J	30		31-51-21	D00815	6		N2	2			
694	22	PA	D04349J	46		31-51-43	SM00081		W	N2	1			
696	20	PA	GDX0003	D..	2	27-32-12	SM00082		W	N2	1			
697	20	PA	GDX0003	D..	2	27-32-22	SM00085		W	N2	1			
701	24	PK	D00815	49		31-51-21	D00815	22		N2				
702	24	PK	D00815	16		31-51-21	D00815	48		N2				
703	24	PK	D00819	6		31-51-41	SM00019		W	N2	1			
704	24	PK	SM00075		W	31-51-41	D04511J	14		N2	1			
705	24	PK	D00819	45		31-51-41	D04511J	12		N2	2			
706	24	PK	D00819	10		31-51-41	D04349J	31		N2	2			
707	24	PK	D00819	21		31-51-41	D04509J	4		N2	2			
708	24	PK	D00819	9		31-51-41	D04349J	7		N2	2			
709	24	PK	D00819	39		31-51-41	SM00044		W	N2	1			
710	24	PK	D00819	43		31-51-41	SM00037		W	N2	1			
711	24	PK	D00819	12		31-51-41	D04349J	21		N2	2			
712	24	PK	D00819	53		31-51-41	D04349J	3		N2	2			
713	24	PK	D00819	20		31-51-41	D04347J	9		N2	2			
714	24	PK	D00819	44		31-51-41	D04349J	24		N2	2			
715	24	PK	D04507J	6		31-51-42	SM00019		W	N2	1			
716	24	PK	D01433	34		31-51-42	SM00019		W	N2	1			
717	24	PK	D01433	37		31-51-42	SM00034		W	N2	1			
718	24	PK	D01433	39		31-51-42	D04509J	2		N2	2			
720	24	PK	D01433	52		31-51-42	SM00040		W	N2	1			
721	24	PK	D01433	38		31-51-42	D04347J	24		N2	2			
722	24	PK	D01433	5		31-51-42	D04349J	22		N2	2			
723	24	PK	D04511J	11		31-51-42	SM00038		W	N2	1			
724	24	PK	D01433	40		31-51-42	SM00038		W	N2	1			
725	24	PK	D01433	3		31-51-42	D04347J	13		N2	2			
726	22	PA	D04347J	14		31-51-21	SM00036		W	N2	1			

286T0045-OAD
Wire Bundle Assembly
Figure 134 (Sheet 15)

25-71-02

WIRE		FROM EQUIPMENT		TO EQUIPMENT		WIRE INFO							
NUMBER	GA	TYP	NUMBER	TERM	TT	WDM REF	NUMBER	TERM	TT	EMC/SEP	FT	NOTE	EFFECTIVITY
727	22	PA	D04301J	11		31-51-21	SM00035		W	N2	1		
728	24	PK	D04347J	1		31-51-41	D00819	35		N2	2		
729	24	PK	D04347J	2		31-51-41	D00819	1		N2	2		
730	24	PK	D04347J	3		31-51-41	D00819	36		N2	2		
731	24	PK	D04347J	4		31-51-41	D00819	2		N2	2		
732	24	PK	D04347J	5		31-51-42	D01433	20		N2	2		
733	24	PK	D04347J	16		34-16-11	D00821	65		N2	2		
734	24	PK	D04347J	8		31-51-31	SM00046		W	N2	1		
735	24	PK	D04507J	7		34-16-11	D00821	34		N2	2		
736	24	PK	D04507J	2		34-16-11	D00821	66		N2	2		
737	24	PK	SM00041		W	34-16-11	D00821	31		N2	1		
738	24	PK	D04347J	19		34-16-11	D00821	7		N2	2		
739	24	PK	SM00075		W	34-16-11	D00821	6		N2	1		
741	24	PK	D00821	18		34-16-11	D00821	22		N2			
742	24	PK	D00821	50		34-16-11	D00821	48		N2			
746	24	PK	D04597J	10		31-51-31	SM00043		W	N2	1		
747	24	PK	D01487	46		31-51-31	SM00043		W	N2	1		
748	24	PK	D04347J	7		31-51-31	SM00045		W	N2	1		
749	24	PK	D01487	10		31-51-31	SM00045		W	N2	1		
750	24	PK	D01487	19		31-51-31	SM00046		W	N2	1		
751	24	PK	D01487	13		31-51-31	SM00040		W	N2	1		
752	24	PK	D01487	47		31-51-31	SM00044		W	N2	1		
753	24	PK	D01487	51		31-51-31	SM00041		W	N2	1		
755	24	PV	D01487	1		31-51-31	SM00035		W	N2	1		
755Z			D01487	DED		31-51-31	SM00035	DED		N2			
756	24	PK	D01487	50		31-51-31	SM00036		W	N2	1		
757	24	PK	D01487	49		31-51-31	SM00039		W	N2	1		
758	24	PK	D01487	22		31-51-31	D01489	23		N2	2		
759	24	PK	D01487	55		31-51-31	D01489	47		N2	2		
760	24	PK	D01487	34		31-51-31	D01489	51		N2	2		
761	24	PK	D01487	66		31-51-31	D01489	57		N2	2		
762	24	PK	D00817	10		31-51-32	SM00045		W	N2	1		

286T0045-OAD
Wire Bundle Assembly
Figure 134 (Sheet 16)

25-71-02



BOEING
COMPONENT
MAINTENANCE MANUAL

WIRE		FROM EQUIPMENT			TO EQUIPMENT			WIRE INFO					
NUMBER	GA	TYP	NUMBER	TERM	TT	WDM REF	NUMBER	TERM	TT	EMC/SEP	FT	NOTE	EFFECTIVITY
763	24	PK	D00817	46		31-51-32	SM00043		W	N2	1		
764	24	FV	D00817	1		31-51-32	SM00035		W	N2	1		
764Z			D00817	DED		31-51-32	SM00035	DED		N2			
765	24	PK	D00817	50		31-51-32	SM00036		W	N2	1		
766	24	FV	D00817	49		31-51-32	SM00053		W	N2	1		
766Z			D00817	DED		31-51-32	SM00053	DED		N2			
767	24	PK	D00817	19		31-51-32	SM00046		W	N2	1		
768	24	PK	D00817	13		31-51-32	SM00040		W	N2	1		
769	24	PK	D00817	47		31-51-32	SM00044		W	N2	1		
770	24	PK	D00817	51		31-51-32	SM00041		W	N2	1		
772	24	PK	D00817	22		31-51-32	D01489	54		N2	2		
773	24	PK	D00817	55		31-51-32	D01489	13		N2	2		
774	24	PK	D00817	34		31-51-32	D01489	25		N2	2		
775	24	PK	D00817	66		31-51-32	D01489	58		N2	2		
776	24	PK	D01489	42		31-51-33	D04347J	15		N2	2		
777	24	PK	D01489	8		31-51-33	D04349J	13		N2	2		
779	24	PK	D01489	35		31-51-33	D04349J	40		N2	2		
780	24	PK	D01489	53		31-51-33	D04349J	2		N2	2		
781	24	PK	D01489	31		31-51-33	D01489	48		N2			
782	24	PK	D01489	18		31-51-33	D01489	22		N2			
783	24	PK	D01489	38		31-51-33	SM00008		W	N2	1		
784	24	PK	D01489	4		31-51-33	SM00011		W	N2	1		
785	24	PK	D01489	37		31-51-33	SM00012		W	N2	1		
786	24	PK	D01489	3		31-51-33	SM00010		W	N2	1		
787	24	PK	D01489	1		31-51-33	SM00009		W	N2	1		
788	24	PK	D01489	6		31-51-33	SM00034		W	N2	1		
789	24	PK	D01489	41		31-51-33	D04509J	11		N2	2		
791	24	PK	D01489	7		31-51-33	D04509J	10		N2	2		
792	24	PK	D01489	40		31-51-33	D04509J	9		N2	2		
793	24	PK	D00819	11		31-51-41	SM00075		W	N2	1		
794	20	PA	D04303J	10		31-51-32	GDX0004	S..	2	N2	2		
795	24	PK	D01433	9		31-51-42	D01433	48		N2			

286T0045-OAD
Wire Bundle Assembly
Figure 134 (Sheet 17)

25-71-02

WIRE NUMBER	WIRE		FROM EQUIPMENT		TO EQUIPMENT		WIRE INFO						
	GA	TYP	NUMBER	TERM	TT	WDM REF	NUMBER	TERM	TT	EMC/SEP	FT	NOTE	EFFECTIVITY
796	24	PK	D01433	22		31-51-42	D01433	50		N2			
797	24	PV	D00815	41		31-51-21	SM00053		W	N2	1		
797Z			D00815	DED		31-51-21	SM00053	DED		N2			
798	24	PV	D04349J	9		31-51-21	SM00053	DED	W	N2	1		
798Z			D04349J	DED		31-51-21	SM00053	DED		N2			
817	24	PK	D00823	55		27-32-12	D11553	6		N2	2		
818	24	PK	D00823	21		27-32-12	D11553	4		N2	2		
819	24	PK	D00823	51		27-32-12	D11553	3		N2	2		
820	24	PK	D00823	50		27-32-12	D11553	2		N2	2		
821	24	PK	D00823	49		27-32-12	D11553	7		N2	2		
822	24	PK	D00823	47		27-32-12	D11553	8		N2	2		
823	24	PK	D00823	46		27-32-12	D11553	9		N2	2		
824	24	PK	D00823	53		27-32-12	D11553	5		N2	2		
825	24	PK	D00823	62		27-32-12	D11553	24		N2	2		
826	24	PK	D01381	55		27-32-22	D11553	16		N2	2		
827	24	PK	D01381	21		27-32-22	D11553	14		N2	2		
828	24	PK	D01381	51		27-32-22	D11553	13		N2	2		
829	24	PK	D01381	50		27-32-22	D11553	12		N2	2		
830	24	PK	D01381	49		27-32-22	D11553	17		N2	2		
831	24	PK	D01381	47		27-32-22	D11553	18		N2	2		
832	24	PK	D01381	46		27-32-22	D11553	19		N2	2		
833	24	PK	D01381	53		27-32-22	D11553	15		N2	2		
834	24	PK	D01381	62		27-32-22	D11553	34		N2	2		
835	24	PK	D04349J	50		27-32-21	D01381	64		N2	2		
836	20	PA	D04349J	53		27-32-21	GDX0002	S..	2	N2	2		
837	24	PK	D00823	42		27-32-12	SM00082		W	N2	1		
838	24	PK	D01381	42		27-32-22	SM00085		W	N2	1		
862	22	PA	D02261	30		31-41-35	GDX0006	S..	2	N2	1		
863	22	PA	D02261	32		31-41-35	GDX0006	S..	2	N2	1		
864	22	PA	D02261	33		31-41-35	GDX0006	S..	2	N2	1		
865	22	PA	D02261	64		31-41-35	GDX0006	S..	2	N2	1		
866	24	PV	D02261	27		31-51-11	SM00018		W	N2	1		

286T0045-OAD
Wire Bundle Assembly
Figure 134 (Sheet 18)

25-71-02



BOEING
COMPONENT
MAINTENANCE MANUAL

WIRE		FROM EQUIPMENT			TO EQUIPMENT			WIRE INFO					
NUMBER	GA	TYP	NUMBER	TERM	TT	WDM REF	NUMBER	TERM	TT	EMC/SEP	FT	NOTE	EFFECTIVITY
866Z			D02261	DED		31-51-11	SM00018	REF		N2			
867	24	PV	D02261	28		31-51-11	SM00047		W	N2	1		
867Z			D02261	DED		31-51-11	SM00047	REF		N2			
868	24	PV	D02261	29		31-51-12	SM00054		W	N2	1		
868Z			D02261	DED		31-51-12	SM00054	REF		N2			
869	24	PK	D02261	34		31-51-12	SM00025		W	N2	1		
870	22	PA	D02261	56		31-51-12	GDX0001	S..	2	N2	2		
871	22	PA	D02261	57		31-51-12	GDX0003	S..	2	N2	2		
872	22	PA	D02261	59		31-51-11	GDX0005	S..	2	N2	1		
873	24	PV	D02261	60		31-51-12	SM00055		W	N2	1		
873Z			D02261	DED		31-51-12	SM00055	REF		N2			
874	24	PV	D02261	62		31-51-11	SM00049		W	N2	1		
874Z			D02261	DED		31-51-11	SM00049	REF		N2			
875	24	PV	D02261	63		31-51-12	SM00056		W	N2	1		
875Z			D02261	DED		31-51-12	SM00056	REF		N2			
876	24	PK	D02261	65		31-51-11	SM00022		W	N2	1		
877	24	PV	D00811	14		31-51-11	SM00018		W	N2	2		
877Z			D00811	DED		31-51-11	SM00018	REF		N2			
878	24	PV	D00811	48		31-51-11	SM00047		W	N2	2		
878Z			D00811	DED		31-51-11	SM00047	REF		N2			
879	24	PV	D00811	23		31-51-11	SM00049		W	N2	2		
879Z			D00811	DED		31-51-11	SM00049	REF		N2			
880	24	PV	D00813	14		31-51-12	SM00054		W	N2	2		
880Z			D00813	DED		31-51-12	SM00054	REF		N2			
881	24	PV	D00813	48		31-51-12	SM00055		W	N2	2		
881Z			D00813	DED		31-51-12	SM00055	REF		N2			
882	24	PV	D00813	23		31-51-12	SM00056		W	N2	2		
882Z			D00813	DED		31-51-12	SM00056	REF		N2			
883	22	PA	D02261	15		38-32-11	D04349J	26		N2	2		
884	22	PA	D02261	47		38-32-11	D04347J	27		N2	2		
885	24	PK	D04303J	9		31-51-21	SM00057		W	N2	1		
886	24	PK	D04507J	3		31-51-21	SM00058		W	N2	1		

286T0045-0AD
Wire Bundle Assembly
Figure 134 (Sheet 19)

25-71-02

WIRE		FROM EQUIPMENT			TO EQUIPMENT			WIRE INFO					
NUMBER	GA	TYP	NUMBER	TERM	TT	WDM REF	NUMBER	TERM	TT	EMC/SEP	FT	NOTE	EFFECTIVITY
887	24	PK	D04507J	1		31-51-21	SM00058		W	N2	1		
888	24	PK	SM00057		W	31-51-21	D04349J	44		N2	1		

286T0045-0AD
 Wire Bundle Assembly
 Figure 134 (Sheet 20)

25-71-02



BOEING
COMPONENT
MAINTENANCE MANUAL

WIRE		FROM EQUIPMENT			TO EQUIPMENT			WIRE INFO					
NUMBER	GA	TYP	NUMBER	TERM	TT	WDM REF	NUMBER	TERM	TT	EMC/SEP	FT	NOTE	EFFECTIVITY
FRA			M01103			315112	M01103	GND	D	N2			
FRB			D00813			315112	D00813	59		N2			
FRC			M01102			315111	M01102	GND	D	N2			
FRD			D00811			315111	D00811	59		N2			
FRG			D04349J	58		314135	D04349J			N2			
FRH			D04349J	61		284111	D04349J			N2			
PA1			D00815	47		999999	D00815	63		N2		DAW-B2	
PA2			D00817	8		999999	D00817	57		N2		DAW-B2	
PA3			D00819	41		999999	D00819	55		N2		DAW-B2	
PA4			D00821	43		999999	D00821	60		N2		DAW-B2	
PA5			D00823	52		999999	D00823	65		N2		DAW-B2	
PA6			D01433	44		999999	D01433	61		N2		DAW-B2	
PA7			D01381	52		999999	D01381	65		N2		DAW-B2	
PA8			D01487	8		999999	D01487	57		N2		DAW-B2	
PA9			D01489	56		999999	D01489	65		N2		DAW-B2	
PB1			D01739	7		999999	D01739	62		N2		DAW-B2	
PB2			D01741	7		999999	D01741	62		N2		DAW-B2	
PB4			D02261	54		999999	D02261	61		N2		DAW-B2	
P01		SE	D11553							N2			
1	22	PA	D00811	60		315111	GDX0001	S..	2	N2	4		
2	22	PA	D00821	14		315111	GDX0002	D..	2	N2	4	UAE-F2	
3	24	PV	SM00068		W	315111	D00821	27		N2	2		
003Z			SM00068	REF		315111	D00821			N2			
4	24	PV	SM00069		W	315111	D00821	32		N2	5		
004Z			SM00069	REF		315111	D00821			N2			
5	24	PV	D00811	35		315111	D00821	17		N2	5		
005Z			D00811	DED		315111	D00821			N2			
6	24	PK	SM00022		W	315111	D00821	51		N2	3		
7	24	PK	D00811	65		315111	SM00022		W	N2	4		
8	24	PK	D00819	37		315111	SM00022		W	N2	3		
9	24	PV	D00819	27		315111	D00811	13		N2	4		
009Z			D00811	DED		315111	D00819			N2			

286T0045-OAK
Wire Bundle Assembly
Figure 135 (Sheet 1)

25-71-02

WIRE			FROM EQUIPMENT			TO EQUIPMENT			WIRE INFO				
NUMBER	GA	TYP	NUMBER	TERM	TT	WDM REF	NUMBER	TERM	TT	EMC/SEP	FT	NOTE	EFFECTIVITY
10	22	PA	D00819	14		315111	GDX0001	D..	2	N2	3		
11	24	PK	D01433	51		315111	SM00022		W	N2	3		
12	24	PV	SM00018		W	315111	D01433	27		N2	4		
012Z	24	PV	SM00018	REF		315111	D01433			N2	3		
13	24	PV	SM00047		W	315111	D01433	32		N2	3		
013Z	24	PV	SM00047	REF		315111	D01433			N2	4		
14	24	PV	SM00049		W	315111	D01433	17		N2	3		
014Z	24	PV	SM00049	REF		315111	D01433			N2	4		
15	22	PA	D01433	14		315111	GDX0001	D..	2	N2	3		
16	20	PA	SM00028		W	315111	GDX0005	D..	2	N2	3		
17	20	UA	GDX0002	S..	2	315111	D00821			N2	3		
18	20	UA	GDX0005	S..	2	315111	D00819			N2	3		
19	20	UA	D01433		2	315111	GDX0002	S..	2	N2	3		
20	20	PA	GDX0005	D..	2	315111	SM00029		W	N2	4		
21	20	UA	GDX0002	S..	2	315111	D01503			N2	3		
23	20	UA	D00815			315111	GDX0002	S..	2	N2	3		
24	24	PK	D04349J	38		315111	SM00005		W	N2	3		
25	24	PK	D01503	A2		315111	SM00005		W	N2	3		
26	20	PA	D01503	A3		315111	SM00005		W	N2	3		
27	22	PQ	D01503	X2		315111	GDX0003	D..	2	N2	4		
027Z	24	PV	D00811	DED		315111	D00811	75		N2	5		
28	24	PV	D01503	X1		315111	D01503		W	N2	3		
028Z	24	PV	SM00015	REF		315111	SM00015			N2	3		
29	24	PV	D00811	46		315111	D01503		W	N2	3		
029Z	24	PV	SM00015	REF		315111	SM00015			N2	3		
30	24	PK	SM00015		W	315111	D00811	DED		N2	3		
32	20	PA	D11553	11		315111	D11553	35	2	N2	4		
33	24	PK	D11553	37		315111	GDX0003	D..		N2	4		
34	24	PK	D11553	36		315111	D00811	34		N2	5		
35	22	PA	D00815	14		315111	D00811	33		N2	5		
36	24	PV	D00815	27		315111	GDX0001	D..	2	N2	4		
036Z	24	PV	D00811	DED		315111	D00811	12		N2	4		
							D00815			N2			

286T0045-OAK
Wire Bundle Assembly
Figure 135 (Sheet 2)

25-71-02



BOEING
COMPONENT
MAINTENANCE MANUAL

WIRE		FROM EQUIPMENT			TO EQUIPMENT			WIRE INFO					
NUMBER	GA	TYP	NUMBER	TERM	TT	WDM REF	NUMBER	TERM	TT	EMC/SEP	FT	NOTE	EFFECTIVITY
37	24	PV	D00815	32		315111	D00811	17		N2	4		
037Z			D00811	DED		315111	D00815			N2			
38	24	PV	D00815	17		315111	D00811	22		N2	4		
038Z			D00811	DED		315111	D00815			N2			
39	24	PK	D00815	54		315111	SM00020		W	N2	3		
40	24	PK	D00811	63		315111	SM00020		W	N2	3		
41	24	PK	D00823	35		315111	SM00020		W	N2	2		
42	24	PK	D01381	35		315111	SM00020		W	N2	2		
45	22	PA	D01381	14		315111	GDX0001	D..	2	N2	3		
46	22	PA	D01381	48		315111	GDX0004	D..	2	N2	3		
47	24	PV	D01381	27		315111	D00811	11		N2	4		
047Z			D00811	DED		315111	D01381			N2			
48	24	PV	D01381	32		315111	D00811	16		N2	4		
048Z			D00811	DED		315111	D01381			N2			
49	24	PV	D01381	17		315111	D00811	21		N2	4		
049Z			D00811	DED		315111	D01381			N2			
52	22	PA	D00823	14		315111	GDX0001	D..	2	N2	3		
53	22	PA	D00823	48		315111	GDX0003	D..	2	N2	3		
54	24	PV	D00823	27		315111	D00811	10		N2	4		
054Z			D00811	DED		315111	D00823			N2			
55	24	PV	D00823	32		315111	D00811	15		N2	4		
055Z			D00811	DED		315111	D00823			N2			
56	24	PV	D00823	17		315111	D00811	20		N2	4		
056Z			D00811	DED		315111	D00823			N2			
57	22	PA	D00817	14		315111	GDX0002	D..	2	N2	4		
58	24	PV	D00817	27		315111	D00811	51		N2	5		
058Z			D00811	DED		315111	D00817			N2			
59	24	PV	D00817	32		315111	D00811	74		N2	5		
059Z			D00811	DED		315111	D00817			N2			
60	24	PK	D00817	45		315111	SM00021		W	N2	3		
61	24	PK	D00811	64		315111	SM00021		W	N2	3		
62	24	PK	D01489	16		315111	SM00021		W	N2	3		

286T0045-OAK
Wire Bundle Assembly
Figure 135 (Sheet 3)

25-71-02

WIRE			FROM EQUIPMENT			TO EQUIPMENT			WIRE INFO				
NUMBER	GA	TYP	NUMBER	TERM	TT	WDM REF	NUMBER	TERM	TT	EMC/SEP	FT	NOTE	EFFECTIVITY
63	24	PK	D01487	45		315111	SM00021		W	N2	3		
64	24	PV	D01487	27		315111	D00811	47		N2	5		
064Z			D00811	DED		315111	D01487			N2			
65	24	PV	D01487	32		315111	D00811	70		N2	5		
065Z			D00811	DED		315111	D01487			N2			
66	22	PA	D01487	14		315111	GDX0003	D..	2	N2	4		
67	24	PV	D01489	27		315111	D00811	45		N2	5		
067Z			D00811	DED		315111	D01489			N2			
68	24	PV	D01489	32		315111	D00811	50		N2	5		
068Z			D00811	DED		315111	D01489			N2			
69	24	PV	D01489	17		315111	D00811	36		N2	5		
069Z			D00811	DED		315111	D01489			N2			
70	22	PA	D01489	14		315111	GDX0003	D..	2	N2	4		
71	20	UA	D01381			315111	GDX0002	S..	2	N2	3		
72	20	UA	D00823			315111	GDX0002	S..	2	N2	3		
73	20	UA	D00817			315111	GDX0002	S..	2	N2	3		
74	20	PA	SM00026		W	315111	GDX0005	D..	2	N2	4		
75	20	UA	D01487			315111	GDX0005	S..	2	N2	4		
76	20	UA	GDX0005	S..	2	315111	D01489			N2	4		
77	24	PK	D02261	40		314135	D04349J	1		N2	4		
78	20	PA	SM00027		W	315111	GDX0005	D..	2	N2	4		
79	22	PA	D00813	60		315112	GDX0003	S..	2	N2	4		
80	22	PA	D00821	15		315112	GDX0002	D..	2	N2	4	UAE-F2	
81	24	PV	D00821	30		315112	SM00073		W	N2	2		
081Z			D00821			315112	SM00073	REF		N2			
82	24	PV	D00821	33		315112	SM00074		W	N2	2		
082Z			D00821			315112	SM00074	REF		N2			
83	24	PV	D00821	24		315112	D00813	35		N2	5		
083Z			D00813	DED		315112	D00821			N2			
84	24	PK	D00821	19		315112	SM00025		W	N2	3		
85	24	PK	D00813	65		315112	SM00025		W	N2	4		
86	24	PK	D00819	3		315112	SM00025		W	N2	3		

286T0045-OAK
Wire Bundle Assembly
Figure 135 (Sheet 4)

25-71-02



BOEING
COMPONENT
MAINTENANCE MANUAL

WIRE NUMBER		FROM EQUIPMENT		TO EQUIPMENT		WIRE INFO						
GA	TYP	NUMBER	TERM	TT	WDM REF	NUMBER	TERM	TT	EMC/SEP	FT	NOTE	EFFECTIVITY
87	24	PK	D01433	18	315112	SM00025		W	N2	2		
88	22	PA	D01433	15	315112	GDX0002	D..	2	N2	3		
89	24	PV	D01433	30	315112	SM00054		W	N2	5		
089Z			SM00054	REF	315112	D01433		W	N2	5		
90	24	PV	D01433	33	315112	SM00055		W	N2	5		
090Z			SM00055	REF	315112	D01433		W	N2	5		
91	24	PV	D01433	24	315112	SM00056		W	N2	5		
091Z			SM00056	REF	315112	D01433		W	N2	5		
92	22	PA	D00819	15	315112	GDX0002	D..	2	N2	3		
93	24	PV	D00819	30	315112	D00813	13	2	N2	4		
093Z			D00813	DED	315112	D00819		2	N2	4		
94	20	PA	SM00032		315112	GDX0005	D..	2	N2	5		
95	24	PV	D01505	X2	315112	D00813	75	2	N2	5		
095Z			D00813	DED	315112	D01505		2	N2	5		
96	24	PV	D01505	X1	315112	SM00016		W	N2	3		
096Z			SM00016	REF	315112	D01505		W	N2	3		
97	24	PV	D00813	46	315112	SM00016		W	N2	4		
097Z			SM00016	REF	315112	D00813	DED	2	N2	4		
98	20	PA	SM00033		315112	GDX0005	D..	2	N2	3		
99	24	PK	SM00016		315112	D11553	25	2	N2	3		
100	24	PK	D01489	21	315133	D04349J	23	2	N2	4		
101	20	PA	D11553	1	315112	GDX0003	D..	2	N2	4		
102	20	UA	D00821		315112	GDX0004	S..	2	N2	4		
103	20	UA	D00819		315112	GDX0004	S..	2	N2	4		
104	20	UA	D01433		315112	GDX0004	S..	2	N2	3		
106	20	UA	D01505		315112	GDX0005	S..	2	N2	4		
107	20	UA	D00815		315112	GDX0004	S..	2	N2	3		
109	20	UA	D01381		315112	GDX0004	S..	2	N2	3		
110	20	UA	D00817		315112	GDX0004	S..	2	N2	4		
111	20	UA	D01487		315112	GDX0001	S..	2	N2	4		
112	22	PA	D01489		315112	GDX0001	S..	2	N2	4		
			D00815	15	315112	GDX0001	D..	2	N2	4		

286T0045-0AK
Wire Bundle Assembly
Figure 135 (Sheet 5)

25-71-02

WIRE		FROM EQUIPMENT		TO EQUIPMENT		WIRE INFO							
NUMBER	GA	TYP	NUMBER	TERM	TT	WDM REF	NUMBER	TERM	TT	EMC/SEP	FT	NOTE	EFFECTIVITY
113	24	PK	D01505	A2		315112	SM00005		W	N2	3		
114	20	PA	D01505	A3		315112	GDX0003	D..	2	N2	4		
115	24	PK	D02261	21		216151	D04347J	25		N2	4		
116	24	PK	D00815	21		315112	SM00023		W	N2	3		
117	24	PK	D00813	63		315112	SM00023		W	N2	4		
118	24	PK	D00823	1		315112	SM00023		W	N2	2		
119	24	PK	D01381	1		315112	SM00023		W	N2	2		
120	22	PA	D01381	15		315112	GDX0001	D..	2	N2	3		
121	24	PK	D00817	56		315112	SM00024		W	N2	3		
122	24	PK	D00813	64		315112	SM00024		W	N2	4		
123	24	PK	D01487	56		315112	SM00024		W	N2	3		
124	22	PA	D00823	15		315112	GDX0001	D..	2	N2	3		
125	20	UA	D00823			315112	GDX0004	S..	2	N2	3		
126	24	PV	D00823	33		315112	D00813	15		N2	5		
126Z			D00823			315112	D00813	DED		N2			
127	24	PV	D00823	24		315112	D00813	20		N2	5		
127Z			D00823			315112	D00813	DED		N2			
128	22	PA	D00817	15		315112	D00813	D..	2	N2	4		
129	24	PV	D00817	30		315112	D00813	51		N2	5		
129Z			D00817			315112	D00813	DED		N2			
130	24	PV	D00817	33		315112	D00813	74		N2	5		
130Z			D00817			315112	D00813	DED		N2			
131	24	PV	D00813	11		315112	D00813	DED		N2			
131Z			D01381			315112	D01381	30		N2	5		
132	24	PV	D00813	16		315112	D00813	DED		N2			
132Z			D01381			315112	D00813	DED		N2	5		
133	24	PV	D01381	24		315112	D00813	21		N2	5		
133Z			D01381			315112	D00813	DED		N2			
134	24	PK	D01489	50		315112	SM00024		W	N2	3		
135	24	PV	D01487	30		315112	D00813	47		N2	5		
135Z			D01487			315112	D00813	DED		N2			
136	24	PV	D01487	33		315112	D00813	70		N2	5		

286T0045-OAK
Wire Bundle Assembly
Figure 135 (Sheet 6)

25-71-02



BOEING
COMPONENT
MAINTENANCE MANUAL

WIRE			FROM EQUIPMENT			TO EQUIPMENT			WIRE INFO				
NUMBER	GA	TYP	NUMBER	TERM	TT	WDM REF	NUMBER	TERM	TT	EMC/SEP	FT	NOTE	EFFECTIVITY
136Z			D01487			315112	D00813	DED		N2			
137	22	PA	D01487	15		315112	GDX0003	D..	2	N2	4		
138	24	PV	D01489	30		315112	D00813	45		N2	5		
138Z			D01489			315112	D00813	DED		N2			
139	24	PV	D01489	33		315112	D00813	50		N2	5		
139Z			D01489			315112	D00813	DED		N2			
140	24	PV	D01489	24		315112	D00813	36		N2	5		
140Z			D01489			315112	D00813	DED		N2			
141	22	PA	D01489	15		315112	GDX0003	D..	2	N2	4		
142	24	PK	D00813	33		315112	D11553	26		N2	6		
143	24	PK	D11553	27		315112	D00813	34		N2	6		
144	24	PV	D00813	12		315112	D00815	30		N2	5		
144Z			D00813	DED		315112	D00815			N2			
145	20	PA	SM00030		W	315112	GDX0005	D..	2	N2			
146	24	PV	D00813	17		315112	D00815	33		N2	5		
146Z			D00813	DED		315112	D00815			N2			
147	24	PV	D00813	22		315112	D00815	24		N2	5		
147Z			D00813	DED		315112	D00815			N2			
148	24	PV	D00813	10		315112	D00823	30		N2	5		
148Z			D00813	DED		315112	D00823			N2			
149	20	PA	SM00031		W	315112	GDX0005	D..	2	N2			
150	22	PA	D04301J	6		273211	D00823	34		N2	4		
151	24	PK	D04509J	1		273211	D00823	39		N2	3		
152	24	PK	D04347J	26		273211	D00823	40		N2	4		
153	24	PK	D00823	31		273211	D04509J	6		N2	3		
154	20	PA	D04509J	7		273211	GDX0001	D..	2	N2	4		
155	24	PK	SM00037		W	273211	D04511J	3		N2	3		
156	24	PK	D00823	38		273211	D04511J	2		N2	4		
157	24	PK	D04511J	4		273211	SM00050		W	N2	4		
158	24	PK	SM00037		W	273211	D00823	4		N2	2		
159	24	PK	D04349J	14		273211	D00823	36		N2	4		
160	24	PK	D04349J	15		273211	D00823	3		N2	4		

286T0045-OAK
Wire Bundle Assembly
Figure 135 (Sheet 7)

25-71-02

WIRE NUMBER	GA	TYP	FROM EQUIPMENT		TO EQUIPMENT		WIRE INFO						
			NUMBER	TERM	TT	WDM REF	NUMBER	TERM	TT	EMC/SEP	FT	NOTE	EFFECTIVITY
161	24	PK	D04349J	16		273211	D00823	43		N2	4		
162	24	PK	D04349J	10		273211	D00823	2		N2	4		
165	22	PA	D04349J	11		273221	D01381	34		N2	4		
166	24	PK	D01381	40		273221	D04349J	6		N2	4		
167	24	PK	D01381	31		273221	D04511J	7		N2	4		
168	20	PA	GDX0002	D..	2	273221	D04511J	8		N2	4		
169	24	PK	D04349J	34		273221	D01381	36		N2	4		
170	24	PK	D04349J	35		273221	D01381	3		N2	4		
171	24	PK	D04349J	36		273221	D01381	43		N2	4		
172	24	PK	D04349J	37		273221	D01381	2		N2	4		
173	24	PK	D04511J	13		273221	D01381	4		N2	4		
174	24	PK	D04511J	16		273221	D01381	37		N2	4		
175	24	PK	D04511J	15		273221	D01381	38		N2	4		
176	24	PK	D04509J	8		273221	D01381	39		N2	4		
177	24	PK	D00815	34		315121	SM00057		W	N2	4		
178	24	PK	D00815	43		315121	D01433	19		N2	4		
179	24	PK	D00815	10		315121	D00819	5		N2	3		
180	24	PK	D04507J	5		315121	SM00034		W	N2	3		
181	24	PK	SM00058		W	315121	D00815	66		N2	3		
182	24	PK	D00815	4		315121	SM00034		W	N2	3		
183	24	PK	D00815	11		315121	D04349J	39		N2	5		
184	22	PA	D00815	37		315121	SM00035		W	N2	3		
185	22	PA	D00815	42		315121	SM00036		W	N2	3		
186	24	PK	D04349J	5		315121	SM00012		W	N2	3		
187	24	PK	D00815	2		315121	SM00012		W	N2	3		
188	24	PK	SM00011		W	315121	D04349J	4		N2	3		
189	24	PK	SM00011		W	315121	D00815	35		N2	3		
190	24	PK	D04349J	12		315121	SM00009		W	N2	3		
191	24	PK	D00815	44		315121	SM00009		W	N2	3		
192	24	PK	D04347J	10		315121	SM00008		W	N2	3		
193	24	PK	D00815	1		315121	SM00008		W	N2	3		
194	24	PK	D04347J	11		315121	SM00010		W	N2	3		

286T0045-OAK
Wire Bundle Assembly
Figure 135 (Sheet 8)

25-71-02



BOEING
COMPONENT
MAINTENANCE MANUAL

WIRE			FROM EQUIPMENT				TO EQUIPMENT				WIRE INFO			
NUMBER	GA	TYP	NUMBER	TERM	TT	WDM REF	NUMBER	TERM	TT	EMC/SEP	FT	NOTE	EFFECTIVITY	
195	24	PK	D00815	36		315121	SM00010		W	N2	3			
196	24	PK	SM00039		W	315121	D04347J	21		N2	3			
197	24	PK	D00815	45		315121	SM00039		W	N2	3			
198	24	PK	D00815	46		315121	D04347J	6		N2	5			
199	20	PA	GDX0004	S..	2	315131	D04597J	14		N2	4			
201B	24	PW	D01489	43		315133	SM00004		W	N2	4			
201R	24	PW	D01489	9		315133	SM00003		W	N2	4			
201Z			D01489	DED		315133	SM00003	REF		N2				
204	20	UA	D04507J			273211	GDX0004	S..	2	N2	4			
204B	24	PW	D00823	18		273211	D04507J	12		N2	3			
204R	24	PW	D00823	16		273211	D04507J	11		N2	2			
204Z			D04507J			273211	D00823	DED		N2				
205B	24	PW	D00815	19		315121	SM00007		W	N2	3			
205R	24	PW	D00815	52		315121	SM00006		W	N2	2			
205Z			D00815	DED		315121	SM00006	REF		N2				
207	20	UA	D04597J			315121	GDX0004	S..	2	N2	4			
207B	24	PW	SM00007		W	315121	D04597J	4		N2	3			
207R	24	PW	SM00006		W	315121	D04597J	3		N2	2			
207Z			SM00006	REF		315121	D04597J			N2				
208	20	UA	D04301J			341611	GDX0002	S..	2	N2	4			
208B	24	PW	D00821	36		341611	D04301J	9		N2	4			
208R	24	PW	D00821	2		341611	D04301J	8		N2	4			
208Z			D00821	DED		341611	D04301J			N2				
209B	24	PW	D01489	46		315133	SM00007		W	N2	4			
209R	24	PW	D01489	12		315133	SM00006		W	N2	2			
209Z			D01489	DED		315133	SM00006	REF		N2				
212B	24	PW	D01433	36		315142	SM00007		W	N2	2			
212R	24	PW	D01433	2		315142	SM00006		W	N2	2			
212Z			D01433	DED		315142	SM00006	REF		N2				
213	20	UA	D04507J			341611	GDX0004	S..	2	N2	4			
213B	24	PW	D00821	35		341611	D04507J	8		N2	4			
213R	24	PW	D00821	1		341611	D04507J	9		N2	4			

286T0045-OAK
Wire Bundle Assembly
Figure 135 (Sheet 9)

25-71-02

WIRE		FROM EQUIPMENT		TO EQUIPMENT		WIRE INFO							
NUMBER	GA	TYP	NUMBER	TERM	TT	WDM REF	NUMBER	TERM	TT	EMC/SEP	FT	NOTE	EFFECTIVITY
213Z			D00821	DED		341611	D04507J			N2			
214	20	UA	D04349J			341611	GDX0004	S..	2	N2	4		
214B	24	PW	D00821	37		341611	D04349J	19		N2	4		
214R	24	PW	D00821	3		341611	D04349J	18		N2			
214Z			D00821	DED		341611	D04349J			N2			
215B	24	PL	D01487	24		315131	D04597J	12		N2	4		
215R	24	PL	D01487	23		315131	D04597J	13		N2			
216B	24	PL	D00817	24		315132	D04303J	12		N2	4		
216R	24	PL	D00817	23		315132	D04303J	11		N2			
221B	24	PW	D01489	45		315133	SM00004		W	N2	4		
221R	24	PW	D01489	11		315133	SM00003	REF	W	N2			
221Z			D01489	DED		315133	SM00003			N2			
223B	24	PW	D00821	38		341611	SM00004		W	N2	3		
223R	24	PW	D00821	4		341611	SM00003	REF	W	N2			
223Z			D00821	DED		341611	SM00003			N2			
224	20	UA	D04349J			273221	GDX0004	S..	2	N2	4		
224B	24	PW	D04349J	28		273221	D01381	18		N2	3		
224R	24	PW	D04349J	27		273221	D01381	16		N2			
224Z			D04349J			273221	D01381	DED		N2			
225B	22	PR	D00811	69		315111	SM00060		W	N2	3		
225R	22	PR	D00811	68		315111	SM00060		W	N2			
225Z			D00811	DED		315111	SM00028	REF		N2			
226B	22	PR	D00813	69		315112	SM00061		W	N2	4		
226R	22	PR	D00813	68		315112	SM00061		W	N2			
226Z			D00813	DED		315112	SM00030	REF		N2			
230	20	UA	D04347J			315133	GDX0003	S..	2	N2	4		
230B	24	PW	D04347J	18		315133	SM00004		W	N2	3		
230R	24	PW	D04347J	17		315133	SM00003		W	N2			
230Z			D04347J			315133	SM00003	REF		N2			
236	20	UA	D04347J			273211	GDX0001	S..	2	N2	3		
236B	24	PW	D04347J	37		273211	D00823	54		N2	3		
236R	24	PW	D04347J	36		273211	D00823	23		N2			

286T0045-OAK
Wire Bundle Assembly
Figure 135 (Sheet 10)

25-71-02



BOEING
COMPONENT
MAINTENANCE MANUAL

WIRE			FROM EQUIPMENT			TO EQUIPMENT			WIRE INFO				
NUMBER	GA	TYP	NUMBER	TERM	TT	WDM REF	NUMBER	TERM	TT	EMC/SEP	FT	NOTE	EFFECTIVITY
236Z			D04347J			273211	D00823	DED		N2			
237B	24	PW	D04347J	40		273211	D00823	13		N2	3		
237R	24	PW	D04347J	39		273211	D00823	12		N2			
237Z			D04347J			273211	D00823	DED		N2			
238	20	UA	D04349J			273221	GDX0001	S..	2	N2			
238B	24	PW	D04349J	49		273221	D01381	54		N2	3		
238R	24	PW	D04349J	48		273221	D01381	23		N2			
238Z			D04349J			273221	D01381	DED		N2			
239B	24	PW	D01381	20		273221	D04349J	55		N2	3		
239R	24	PW	D01381	19		273221	D04349J	54		N2			
239Z			D01381	DED		273221	D04349J			N2			
240B	24	PL	D04347J	23		315131	SM00080		W	N2			
240R	24	PL	D04347J	22		315131	SM00042		W	N2			
241B	24	PL	D01487	60		315131	SM00080		W	N2			
241R	24	PL	D01487	28		315131	SM00042		W	N2			
242B	24	PL	D00817	60		315132	SM00080		W	N2			
242R	24	PL	D00817	28		315132	SM00042		W	N2			
243B	24	PW	D04349J	52		273221	D01381	13		N2	3		
243R	24	PW	D04349J	51		273221	D01381	12		N2			
243Z			D04349J			273221	D01381	DED		N2			
245B	24	PW	D00823	20		273211	D04347J	48		N2	3		
245R	24	PW	D00823	19		273211	D04347J	47		N2			
245Z			D00823	DED		273211	D04347J			N2			
247	20	UA	D04349J			314135	GDX0006	S..	2	N2	4		
247B	24	PW	D02261	42		314135	D04349J	57		N2	4		
247R	24	PW	D02261	43		314135	D04349J	56		N2			
247Z			D02261	DED		314135	D04349J			N2			
248	20	UA	D04349J			284111	GDX0006	S..	2	N2	4		
248B	24	PW	D02261	5		284111	D04349J	60		N2	4		
248R	24	PW	D02261	8		284111	D04349J	59		N2			
248Z			D02261	DED		284111	D04349J			N2			
271B	24	PL	D04597J	5		315131	SM00088		W	N2	4		

286T0045-OAK
Wire Bundle Assembly
Figure 135 (Sheet 11)

25-71-02

WIRE			FROM EQUIPMENT			TO EQUIPMENT			WIRE INFO				
NUMBER	GA	TYP	NUMBER	TERM	TT	WDM REF	NUMBER	TERM	TT	EMC/ SEP	FT	NOTE	EFFECTIVITY
271R	24	PL	D04597J	2		315131	SM00087		W	N2			
272B	24	PL	D01487	63		315131	SM00088		W	N2	4		
272R	24	PL	D01487	62		315131	SM00087		W	N2			
273B	24	PL	D00817	63		315132	SM00088		W	N2	4		
273R	24	PL	D00817	62		315132	SM00087		W	N2			
301	20	UA	SM00028	REF		315111	GDX0005	S..	2	N2	3		
301B	22	PS	D00811	57		315111	SM00028		W	N2	3		
301R	22	PS	D00811	38		315111	SM00028		W	N2			
301Y	22	PS	D00811	58		315111	SM00028		W	N2			
301Z	22	PS	D00811	DED		315111	SM00028	REF	W	N2			
302B	22	PS	D00811	42		315111	SM00029		W	N2	3		
302R	22	PS	D00811	41		315111	SM00029		W	N2			
302Y	22	PS	D00811	43		315111	SM00029		W	N2			
302Z	22	PS	D00811	DED		315111	SM00028	REF	W	N2			
303B	22	PS	D00811	8		315111	SM00026		W	N2	3		
303R	22	PS	D00811	7		315111	SM00026		W	N2			
303Y	22	PS	D00811	9		315111	SM00026		W	N2			
303Z	22	PS	D00811	DED		315111	SM00028	REF	W	N2			
304B	22	PS	D00811	25		315111	SM00027		W	N2	3		
304R	22	PS	D00811	24		315111	SM00027		W	N2			
304Y	22	PS	D00811	37		315111	SM00027		W	N2			
304Z	22	PS	D00811	DED		315111	SM00028	REF	W	N2			
305	20	UA	SM00030	REF		315111	SM00028	REF	2	N2	2		
305B	22	PS	D00813	8		315112	GDX0005	S..	W	N2	4		
305R	22	PS	D00813	7		315112	SM00030		W	N2			
305Y	22	PS	D00813	9		315112	SM00030		W	N2			
305Z	22	PS	D00813	DED		315112	SM00030	REF	W	N2	4		
306B	22	PS	D00813	25		315112	SM00031		W	N2			
306R	22	PS	D00813	24		315112	SM00031		W	N2			
306Y	22	PS	D00813	37		315112	SM00031		W	N2			
306Z	22	PS	D00813	DED		315112	SM00030	REF	W	N2			
307B	22	PS	D00813	57		315112	SM00032		W	N2	4		

286T0045-OAK
Wire Bundle Assembly
Figure 135 (Sheet 12)

25-71-02



BOEING
COMPONENT
MAINTENANCE MANUAL

WIRE			FROM EQUIPMENT			TO EQUIPMENT			WIRE INFO				
NUMBER	GA	TYP	NUMBER	TERM	TT	WDM REF	NUMBER	TERM	TT	EMC/SEP	FT	NOTE	EFFECTIVITY
307R	22	PS	D00813	38		315112	SM00032		W	N2			
307Y	22	PS	D00813	58		315112	SM00032		W	N2			
307Z			D00813	DED		315112	SM00030	REF		N2	4		
308B	22	PS	D00813	42		315112	SM00033		W	N2			
308R	22	PS	D00813	41		315112	SM00033		W	N2			
308Y	22	PS	D00813	43		315112	SM00033		W	N2			
308Z			D00813	DED		315112	SM00030	REF		N2			
512	24	PK	D02261	20		278131	D04349J	8		N2	3		
601	20	PA	SM00060		W	315111	GDX0004	D..	2	N2			
602	20	PA	SM00061		W	315112	GDX0005	D..	2	N2			
603	24	PV	D04301J	5		315112	M01103	INE	D	N2	3		
603Z			D04301J	DED		315112	M01103			N2			
604	24	PV	D04301J	4		315112	D00813	4		N2	5		
604Z			D04301J	DED		315112	D00813			N2			
605	24	PV	D00813	1		315112	M01103	OAD	D	N2	4		
605Z			D00813			315112	M01103	DED		N2			
606	24	PV	D04349J	32		315111	M01102	INE	D	N2	3		
606Z			D04349J	DED		315111	M01102			N2			
607	24	PV	D04349J	33		315111	D00811	4		N2	5		
607Z			D04349J	DED		315111	D00811			N2			
608	24	PV	D00811	1		315111	M01102	OAD	D	N2	5		
608Z			D00811			315111	M01102	DED		N2			
610	24	PK	D00823	37		273211	SM00050		W	N2	3		
611	24	PK	D01433	6		315142	D04347J	20		N2	3		
612	24	PK	D01433	4		315142	SM00050		W	N2	3		
613	24	PK	D04349J	30		315131	SM00065		W	N2	3		
614	24	PK	D01487	52		315131	SM00065		W	N2	3		
615	24	PK	D00817	52		315132	SM00065		W	N2	3		
617	24	PK	D01381	11		273212	D00823	56		N2	2		
618	24	PK	D01381	56		273212	D00823	11		N2	2		
619	24	PK	D00823	45		273212	SM00082		W	N2	2		
620	24	PK	D04349J	29		315121	SM00071		W	N2	3		

286T0045-OAK
Wire Bundle Assembly
Figure 135 (Sheet 13)

25-71-02

WIRE NUMBER	GA	TYP	FROM EQUIPMENT			TO EQUIPMENT			WIRE INFO			
			NUMBER	TERM	TT	NUMBER	TERM	TT	EMC/SEP	FT	NOTE	EFFECTIVITY
621	24	PK	D00815	7		315121	SM00071	W	N2	3		
622	24	PK	D01489	2		315133	SM00071	W	N2	3		
623	24	PK	D01489	36		315133	SM00038	W	N2	3		
624	24	PK	D00815	8		315121	SM00045	W	N2	3		
625	24	PK	D01487	9		315131	SM00034	W	N2	3		
630	22	PA	D01487	21		315131	GDX0006	2	N2	4		
631	24	PK	D00817	9		315132	SM00034	W	N2	3		
634	22	PA	D00817	20		315132	GDX0006	2	N2	4		
636	22	PA	D00817	21		315132	GDX0006	2	N2	4		
644	22	PQ	D00823	66		273231	D04347J	42	N2	3		
644Z			D00823	DED		273231	D04347J	DED	N2			
646	22	PQ	D01381	66		273231	D04349J	42	N2	3		
646Z			D01381	DED		273231	D04349J	DED	N2			
652	24	PV	D00811	26		315111	SM00068	W	N2	4		
652Z			D00811	DED		315111	SM00068	REF	N2			
653	24	PV	D00811	49		315111	SM00069	W	N2	4		
653Z			D00811	DED		315111	SM00069	REF	N2			
654	24	PV	D01739	27		315111	SM00068	W	N2	2		
654Z			D01739	DED		315111	SM00068	REF	N2			
655	24	PV	D01739	32		315111	SM00069	W	N2	2		
655Z			D01739	DED		315111	SM00069	REF	N2			
656	24	PK	D01739	10		315111	SM00022	W	N2	2		
657	22	PA	D01739	14		315111	GDX0006	2	N2	3		
658	24	PV	D01741	27		315111	D00811	62	N2	4		
658Z			D01741			315111	D00811	DED	N2			
659	24	PV	D01741	32		315111	D00811	76	N2	4		
659Z			D01741			315111	D00811	DED	N2			
660	20	UA	D01741			315111	GDX0006	2	N2	3		
661	24	PK	D01741	10		315111	D00811	66	N2	4		
662	22	PA	D01741	14		315111	GDX0006	2	N2	3		
663	24	PV	D00813	26		315112	SM00073	W	N2	4		
663Z			D00813	DED		315112	SM00073	REF	N2			

286T0045-OAK
Wire Bundle Assembly
Figure 135 (Sheet 14)

25-71-02



BOEING
COMPONENT
MAINTENANCE MANUAL

WIRE			FROM EQUIPMENT			TO EQUIPMENT			WIRE INFO				
NUMBER	GA	TYP	NUMBER	TERM	TT	WDM REF	NUMBER	TERM	TT	EMC/SEP	FT	NOTE	EFFECTIVITY
664	24	PV	D00813	49		315112	SM00074		W	N2	4		
664Z			D00813	DED		315112	SM00074	REF		N2			
665	24	PV	D01739	30		315112	SM00073		W	N2	2		
665Z			D01739	DED		315112	SM00073	REF		N2			
666	24	PV	D01739	33		315112	SM00074		W	N2	2		
666Z			D01739	DED		315112	SM00074	REF		N2			
667	24	PK	D01739	9		315112	SM00025		W	N2	2		
668	22	PA	D01739	15		315112	GDX0006	D..	2	N2	3		
669	24	PV	D01741	30		315112	D00813	62		N2	4		
669Z			D01741			315112	D00813	DED		N2			
670	24	PV	D01741	33		315112	D00813	76		N2	4		
670Z			D01741			315112	D00813	DED		N2			
671	20	UA	D01741			315112	GDX0006	S..	2	N2	3		
672	24	PK	D01741	9		315112	D00813	66		N2	4		
673	22	PA	D01741	15		315112	GDX0006	D..	2	N2	3		
674	24	PK	D01739	24		315131	D01487	53		N2	3		
675	24	PK	D01741	24		315132	D00817	53		N2	3		
676	24	PK	D01739	1		315135	SM00036		W	N2	2		
677	24	PK	D01739	3		315135	SM00035		W	N2	2		
679	24	PK	D01741	1		315136	SM00036		W	N2	2		
680	24	PK	D01741	3		315136	SM00035		W	N2	2		
681	24	PK	D01433	10		315143	D04507J	10		N2	3		
682	24	PK	D01433	13		315143	D04347J	46		N2	3		
683	22	PA	D01433	41		315143	SM00081		W	N2	2		
684	20	PA	GDX0001	D..	2	315143	D04349J	47		N2	3		
685	24	PK	D00823	58		273212	D01505	A1		N2	3		
686	24	PK	D00823	8		273211	SM00038		W	N2	2		
687	24	PK	D00823	64		273211	SM00081		W	N2	2		
688	24	PK	D01381	58		273222	D01503	A1		N2	3		
689	24	PK	D01381	45		273222	SM00085		W	N2	2		
692	24	PK	D01381	8		273221	SM00038		W	N2	2		
693	24	PK	D04347J	30		315121	D00815	6		N2	4		

286T0045-OAK
Wire Bundle Assembly
Figure 135 (Sheet 15)

25-71-02

WIRE		FROM EQUIPMENT			TO EQUIPMENT		WIRE INFO						
NUMBER	GA	TYP	NUMBER	TERM	TT	WDM REF	NUMBER	TERM	TT	EMC/SEP	FT	NOTE	EFFECTIVITY
694	22	PA	D04349J	46		315143	SM00081		W	N2	3		
696	20	PA	GDX0003	D..	2	273212	SM00082		W	N2	2		
697	20	PA	GDX0003	D..	2	273222	SM00085		W	N2	2		
701	24	PK	D00815	49		315121	D00815	22		N2	1		
702	24	PK	D00815	16		315121	D00815	48		N2	1		
703	24	PK	D00819	6		315141	SM00019		W	N2	3		
704	24	PK	SM00075		W	315141	D04511J	14		N2	4		
705	24	PK	D00819	45		315141	D04511J	12		N2	4		
706	24	PK	D00819	10		315141	D04349J	31		N2	4		
707	24	PK	D00819	21		315141	D04509J	4		N2	4		
708	24	PK	D00819	9		315141	D04349J	7		N2	4		
709	24	PK	D00819	39		315141	SM00044		W	N2	3		
710	24	PK	D00819	43		315141	SM00037		W	N2	3		
711	24	PK	D00819	12		315141	D04349J	21		N2	4		
712	24	PK	D00819	53		315141	D04349J	3		N2	4		
713	24	PK	D00819	20		315141	D04347J	9		N2	4		
714	24	PK	D00819	44		315141	D04349J	24		N2	4		
715	24	PK	D04507J	6		315142	SM00019		W	N2	3		
716	24	PK	D01433	34		315142	SM00019		W	N2	2		
717	24	PK	D01433	37		315142	SM00034		W	N2	2		
718	24	PK	D01433	39		315142	D04509J	2		N2	3		
720	24	PK	D01433	52		315142	SM00040		W	N2	2		
721	24	PK	D01433	38		315142	D04347J	24		N2	4		
722	24	PK	D01433	5		315142	D04349J	22		N2	4		
723	24	PK	D04511J	11		315142	SM00038		W	N2	3		
724	24	PK	D01433	40		315142	SM00038		W	N2	2		
725	24	PK	D01433	3		315142	D04347J	13		N2	4		
726	22	PA	D04347J	14		315121	SM00036		W	N2	3		
727	22	PA	D04301J	11		315121	SM00035		W	N2	3		
728	24	PK	D04347J	1		315141	D00819	35		N2	4		
729	24	PK	D04347J	2		315141	D00819	1		N2	4		
730	24	PK	D04347J	3		315141	D00819	36		N2	4		

286T0045-OAK
Wire Bundle Assembly
Figure 135 (Sheet 16)

25-71-02



BOEING
COMPONENT
MAINTENANCE MANUAL

WIRE		FROM EQUIPMENT			TO EQUIPMENT			WIRE INFO					
NUMBER	GA	TYP	NUMBER	TERM	TT	WDM REF	NUMBER	TERM	TT	EMC/SEP	FT	NOTE	EFFECTIVITY
731	24	PK	D04347J	4		315141	D00819	2		N2	4		
732	24	PK	D04347J	5		315142	D01433	20		N2	4		
733	24	PK	D04347J	16		341611	D00821	65		N2	5		
734	24	PK	D04347J	8		315131	SM00046		W	N2	3		
735	24	PK	D04507J	7		341611	D00821	34		N2	5		
736	24	PK	D04507J	2	W	341611	D00821	66		N2	4		
737	24	PK	SM00041			341611	D00821	31		N2	3		
738	24	PK	D04347J	19	W	341611	D00821	7		N2	5		
739	24	PK	SM00075		W	341611	D00821	6		N2	4		
740	24	PK	SM00038		W	341611	D00821	40		N2	2		
741	24	PK	D00821	18		341611	D00821	22		N2	1		
742	24	PK	D00821	50		341611	D00821	48		N2	1		
746	24	PK	D04597J	10		315131	SM00043		W	N2	3		
747	24	PK	D01487	46		315131	SM00043		W	N2	3		
748	24	PK	D04347J	7		315131	SM00045		W	N2	3		
749	24	PK	D01487	10		315131	SM00045		W	N2	3		
750	24	PK	D01487	19		315131	SM00046		W	N2	3		
751	24	PK	D01487	13		315131	SM00040		W	N2	3		
752	24	PK	D01487	47		315131	SM00044		W	N2	3		
753	24	PK	D01487	51		315131	SM00041		W	N2	3		
757	24	PK	D01739	11		315135	SM00039		W	N2	2		
758	24	PK	D01487	22		315131	D01489	23		N2	4		
759	24	PK	D01487	55		315131	D01489	47		N2	4		
760	24	PK	D01487	34		315131	D01489	51		N2	4		
761	24	PK	D01487	66		315131	D01489	57		N2	4		
762	24	PK	D00817	10		315132	SM00045		W	N2	3		
763	24	PK	D00817	46		315132	SM00043		W	N2	3		
766	24	PV	D01741	11		315136	SM00053		W	N2	1		
766Z			D01741	DED		315136	SM00053	DED		N2			
767	24	PK	D00817	19		315132	SM00046		W	N2	3		
768	24	PK	D00817	13		315132	SM00040		W	N2	3		
769	24	PK	D00817	47		315132	SM00044		W	N2	3		

286T0045-OAK
Wire Bundle Assembly
Figure 135 (Sheet 17)

25-71-02

WIRE			FROM EQUIPMENT			TO EQUIPMENT			WIRE INFO				
NUMBER	GA	TYP	NUMBER	TERM	TT	WDM REF	NUMBER	TERM	TT	EMC/SEP	FT	NOTE	EFFECTIVITY
770	24	PK	D00817	51		315132	SM00041		W	N2	3		
772	24	PK	D00817	22		315132	D01489	54		N2	3		
773	24	PK	D00817	55		315132	D01489	13		N2	3		
774	24	PK	D00817	34		315132	D01489	25		N2	3		
775	24	PK	D00817	66		315132	D01489	58		N2	3		
776	24	PK	D01489	42		315133	D04347J	15		N2	4		
777	24	PK	D01489	8		315133	D04349J	13		N2	4		
779	24	PK	D01489	35		315133	D04349J	40		N2	4		
780	24	PK	D01489	53		315133	D04349J	2		N2	4		
781	24	PK	D01489	31		315133	D01489	48		N2	1		
782	24	PK	D01489	18		315133	D01489	22		N2	1		
783	24	PK	D01489	38		315133	SM00008		W	N2	4		
784	24	PK	D01489	4		315133	SM00011		W	N2	4		
785	24	PK	D01489	37		315133	SM00012		W	N2	4		
786	24	PK	D01489	3		315133	SM00010		W	N2	4		
787	24	PK	D01489	1		315133	SM00009		W	N2	4		
788	24	PK	D01489	6		315133	SM00034		W	N2	4		
789	24	PK	D01489	41		315133	D04509J	11		N2	4		
791	24	PK	D01489	7		315133	D04509J	10		N2	4		
792	24	PK	D01489	40		315133	D04509J	9		N2	4		
793	24	PK	D00819	11		315141	SM00075		W	N2	2		
794	20	PA	D04303J	10		315132	GDX0004	S..	2	N2	4		
795	24	PK	D01433	9		315142	D01433	48		N2	1		
796	24	PK	D01433	22		315142	D01433	50		N2	1		
797	24	PV	D00815	41		315121	SM00053		W	N2	3		
797Z			D00815	DED		315121	SM00053	DED		N2			
798	24	PV	D04349J	9		315121	SM00053		W	N2	3		
798Z			D04349J	DED		315121	SM00053	DED		N2			
817	24	PK	D00823	55		273212	D11553	6		N2	3		
818	24	PK	D00823	21		273212	D11553	4		N2	3		
819	24	PK	D00823	51		273212	D11553	3		N2	3		
820	24	PK	D00823	50		273212	D11553	2		N2	3		

286T0045-OAK
Wire Bundle Assembly
Figure 135 (Sheet 18)

25-71-02



BOEING
COMPONENT
MAINTENANCE MANUAL

WIRE		FROM EQUIPMENT			TO EQUIPMENT			WIRE INFO					
NUMBER	GA	TYP	NUMBER	TERM	TT	WDM REF	NUMBER	TERM	TT	EMC/SEP	FT	NOTE	EFFECTIVITY
821	24	PK	D00823	49		273212	D11553	7		N2	3		
822	24	PK	D00823	47		273212	D11553	8		N2	3		
823	24	PK	D00823	46		273212	D11553	9		N2	3		
824	24	PK	D00823	53		273212	D11553	5		N2	3		
825	24	PK	D00823	62		273212	D11553	24		N2	3		
826	24	PK	D01381	55		273222	D11553	16		N2	3		
827	24	PK	D01381	21		273222	D11553	14		N2	3		
828	24	PK	D01381	51		273222	D11553	13		N2	3		
829	24	PK	D01381	50		273222	D11553	12		N2	3		
830	24	PK	D01381	49		273222	D11553	17		N2	3		
831	24	PK	D01381	47		273222	D11553	18		N2	3		
832	24	PK	D01381	46		273222	D11553	19		N2	3		
833	24	PK	D01381	53		273222	D11553	15		N2	3		
834	24	PK	D01381	62		273222	D11553	34		N2	3		
835	24	PK	D04349J	50		273221	D01381	64		N2	3		
836	20	PA	D04349J	53		273221	GDX0002	S..	2	N2	3		
837	24	PK	D00823	42		273212	SM00082		W	N2	2		
838	24	PK	D01381	42		273222	SM00085		W	N2	2		
862	22	PA	D02261	30		314135	GDX0006	S..	2	N2	4		
863	22	PA	D02261	32		314135	GDX0006	S..	2	N2	4		
864	22	PA	D02261	33		314135	GDX0006	S..	2	N2	4		
865	22	PA	D02261	64		314135	GDX0006	S..	2	N2	4		
866	24	PV	D02261	27		315111	SM00018		W	N2	3		
866Z			D02261	DED		315111	SM00018	REF		N2			
867	24	PV	D02261	28		315111	SM00047		W	N2	3		
867Z			D02261	DED		315111	SM00047	REF		N2			
868	24	PV	D02261	29		315112	SM00054		W	N2	3		
868Z			D02261	DED		315112	SM00054	REF		N2			
869	24	PK	D02261	34		315112	SM00025		W	N2	3		
870	22	PA	D02261	56		315112	GDX0001	S..	2	N2	4		
871	22	PA	D02261	57		315112	GDX0003	S..	2	N2	3		
872	22	PA	D02261	59		315111	GDX0005	S..	2	N2	3		

286T0045-OAK
Wire Bundle Assembly
Figure 135 (Sheet 19)

25-71-02

WIRE			FROM EQUIPMENT			TO EQUIPMENT			WIRE INFO				
NUMBER	GA	TYP	NUMBER	TERM	TT	WDM REF	NUMBER	TERM	TT	EMC/SEP	FT	NOTE	EFFECTIVITY
873	24	PV	D02261	60		315112	SM00055		W	N2	3		
873Z			D02261	DED		315112	SM00055	REF		N2			
874	24	PV	D02261	62		315111	SM00049	REF	W	N2	3		
874Z			D02261	DED		315111	SM00049	REF		N2			
875	24	PV	D02261	63		315112	SM00056	REF	W	N2	3		
875Z			D02261	DED		315112	SM00056	REF		N2			
876	24	PK	D02261	65		315111	SM00022		W	N2	4		
877	24	PV	D00811	14		315111	SM00018		W	N2	4		
877Z			D00811	DED		315111	SM00018	REF		N2			
878	24	PV	D00811	48		315111	SM00047	REF	W	N2	4		
878Z			D00811	DED		315111	SM00047	REF		N2			
879	24	PV	D00811	23		315111	SM00049	REF	W	N2	4		
879Z			D00811	DED		315111	SM00049	REF		N2			
880	24	PV	D00813	14		315112	SM00054	REF	W	N2	4		
880Z			D00813	DED		315112	SM00054	REF		N2			
881	24	PV	D00813	48		315112	SM00055	REF	W	N2	4		
881Z			D00813	DED		315112	SM00055	REF		N2			
882	24	PV	D00813	23		315112	SM00056	REF	W	N2	4		
882Z			D00813	DED		315112	SM00056	REF		N2			
883	22	PA	D02261	15		383211	D04349J	26		N2	4		
884	22	PA	D02261	47		383211	D04347J	27		N2	4		
885	24	PK	D04303J	9		315121	SM00057		W	N2	3		
886	24	PK	D04507J	3		315121	SM00058		W	N2	3		
887	24	PK	D04507J	1		315121	SM00058		W	N2	3		
888	24	PK	SM00057		W	315121	D04349J	44		N2	3		

 286T0045-OAK
 Wire Bundle Assembly
 Figure 135 (Sheet 20)

25-71-02

 TESTING & TROUBLE SHOOTING
 01 Page 184T
 Nov 01/02



BOEING
COMPONENT
MAINTENANCE MANUAL

WIRE		FROM EQUIPMENT			TO EQUIPMENT			WIRE INFO					
NUMBER	GA	TYP	NUMBER	TERM	TT	WDM REF	NUMBER	TERM	TT	EMC/SEP	FT	NOTE	EFFECTIVITY
FRA			M01103			31-51-12	M01103	GND	D	N2			
FRB			D00813			31-51-12	D00813	59		N2			
FRC			M01102			31-51-11	M01102	GND	D	N2			
FRD			D00811			31-51-11	D00811	59		N2			
FRE			D04301J			31-51-34	D04301J	15		N2			
FRF			D04347J			31-51-34	D04347J	52		N2			
FRG			D04349J	58		31-41-35	D04349J			N2			
FRH			D04349J	61		28-41-11	D04349J			N2			
PA1			D00815	47		99-99-99	D00815	63		N2		DAW-B2	
PA2			D00817	8		99-99-99	D00817	57		N2		DAW-B2	
PA3			D00819	41		99-99-99	D00819	55		N2		DAW-B2	
PA4			D00821	43		99-99-99	D00821	60		N2		DAW-B2	
PA5			D00823	52		99-99-99	D00823	65		N2		DAW-B2	
PA6			D01433	44		99-99-99	D01433	61		N2		DAW-B2	
PA7			D01381	52		99-99-99	D01381	65		N2		DAW-B2	
PA8			D01487	8		99-99-99	D01487	57		N2		DAW-B2	
PA9			D01489	56		99-99-99	D01489	65		N2		DAW-B2	
PB1			D01739	7		99-99-99	D01739	62		N2		DAW-B2	
PB2			D01741	7		99-99-99	D01741	62		N2		DAW-B2	
PB3			D00907	29		99-99-99	D00907	42		N2		DAW-B2	
PB4			D02261	54		99-99-99	D02261	61		N2		DAW-B2	
P01		SE	D11553							N2			
S01		SL	D02261							N2			
1	22	PA	D00811	60		31-51-11	GDX0001	S..	2	N2	3	ISL-F2	
2	22	PA	D00821	14	W	31-51-11	GDX0002	D..	2	N2	2	UAE-F2	
3	24	PV	SM00068			31-51-11	D00821	27		N2	1		
003Z			SM00068	REF		31-51-11	D00821			N2			
4	24	PV	SM00069		W	31-51-11	D00821	32		N2	1		
004Z			D00821			31-51-11	SM00069	REF		N2			
5	24	PV	D00811	35		31-51-11	D00821	17		N2	3		
005Z			D00811	DED		31-51-11	D00821			N2			
6	24	PK	SM00022		W	31-51-11	D00821	51		N2	1		

286T0045-0AL
Wire Bundle Assembly
Figure 136 (Sheet 1)

25-71-02

WIRE		FROM EQUIPMENT			TO EQUIPMENT			WIRE INFO					
NUMBER	GA	TYP	NUMBER	TERM	TT	WDM REF	NUMBER	TERM	TT	EMC/SEP	FT	NOTE	EFFECTIVITY
7	24	PK	D00811	65		31-51-11	SM00022		W	N2	2		
8	24	PK	D00819	37		31-51-11	SM00022		W	N2	1		
9	24	PV	D00819	27		31-51-11	D00811	13		N2	3		
009Z			D00811	DED		31-51-11	D00819			N2	2		
01A	24	PK	D04349J	43		31-51-33	D01489	49		N2	2		
10	22	PA	D00819	14		31-51-11	GDX0001	D..	2	N2	2		
11	24	PK	D01433	51		31-51-11	SM00022		W	N2	1		
12	24	PV	SM00018		W	31-51-11	D01433	27		N2	1		
012Z			SM00018	REF		31-51-11	D01433			N2	1		
13	24	PV	SM00047		W	31-51-11	D01433	32		N2	1		
013Z			SM00047	REF		31-51-11	D01433			N2	1		
14	24	PV	SM00049		W	31-51-11	D01433	17		N2	1		
014Z			SM00049	REF		31-51-11	D01433			N2	1		
15	22	PA	D01433	14		31-51-11	GDX0001	D..	2	N2	2		
16	20	PA	SM00028		W	31-51-11	GDX0005	D..	2	N2	2		
17	20	UA	GDX0002	S..	2	31-51-11	D00821			N2	2		
18	20	UA	GDX0005	S..	2	31-51-11	D00819			N2	2		
19	20	UA	D01433			31-51-11	GDX0002	S..	2	N2	2		
20	20	PA	GDX0005	D..	2	31-51-11	SM00029		W	N2	2		
21	20	UA	GDX0002	S..	2	31-51-11	D01503			N2	2		
23	20	UA	D00815			31-51-11	GDX0002	S..	2	N2	2		
24	24	PK	D04349J	38		31-51-11	SM00005		W	N2	1		
25	24	PK	D01503	A2		31-51-11	SM00005		W	N2	1		
26	20	PA	D01503	A3		31-51-11	GDX0003	D..	2	N2	2		
27	22	PQ	D01503	X2		31-51-11	D00811	75		N2	4		
027Z			D00811	DED		31-51-11	D01503			N2	2		
28	24	PV	D01503	X1		31-51-11	SM00015		W	N2	1		
028Z			SM00015	REF		31-51-11	D01503			N2	2		
29	24	PV	D00811	46		31-51-11	SM00015		W	N2	2		
029Z			SM00015	REF		31-51-11	D00811	DED		N2	2		
30	24	PK	SM00015			31-51-11	D11553	35		N2	1		
32	20	PA	D11553	11	W	31-51-11	GDX0003	D..	2	N2	2		

286T0045-OAL
Wire Bundle Assembly
Figure 136 (Sheet 2)

25-71-02



BOEING
COMPONENT
MAINTENANCE MANUAL

WIRE		FROM EQUIPMENT			TO EQUIPMENT			WIRE INFO					
NUMBER	GA	TYP	NUMBER	TERM	TT	WDM REF	NUMBER	TERM	TT	EMC/SEP	FT	NOTE	EFFECTIVITY
33	24	PK	D11553	37		31-51-11	D00811	34		N2	4		
34	24	PK	D11553	36		31-51-11	D00811	33		N2	4		
35	22	PA	D00815	14		31-51-11	GDX0001	D..	2	N2	2		
36	24	PV	D00815	27		31-51-11	D00811	12		N2	3		
036Z			D00811	DED		31-51-11	D00815			N2	3		
37	24	PV	D00815	32		31-51-11	D00811	17		N2	3		
037Z			D00811	DED		31-51-11	D00815			N2	3		
38	24	PV	D00815	17		31-51-11	D00811	22		N2	3		
038Z			D00811	DED		31-51-11	D00815			N2	3		
39	24	PK	D00815	54		31-51-11	SM00020		W	N2	1		
40	24	PK	D00811	63		31-51-11	SM00020		W	N2	2		
41	24	PK	D00823	35		31-51-11	SM00020		W	N2	1		
42	24	PK	D01381	35		31-51-11	SM00020		W	N2	1		
45	22	PA	D01381	14		31-51-11	GDX0001	D..	2	N2	2		
46	22	PA	D01381	48		31-51-11	GDX0003	D..	2	N2	2		
47	24	PV	D01381	27		31-51-11	D00811	11		N2	3		
047Z			D00811	DED		31-51-11	D01381			N2	3		
48	24	PV	D01381	32		31-51-11	D00811	16		N2	3		
048Z			D00811	DED		31-51-11	D01381			N2	3		
49	24	PV	D01381	17		31-51-11	D00811	21		N2	3		
049Z			D00811	DED		31-51-11	D01381			N2	3		
52	22	PA	D00823	14		31-51-11	GDX0001	D..	2	N2	2		
53	22	PA	D00823	48		31-51-11	GDX0003	D..	2	N2	2		
54	24	PV	D00823	27		31-51-11	D00811	10		N2	3		
054Z			D00811	DED		31-51-11	D00823			N2	3		
55	24	PV	D00823	32		31-51-11	D00811	15		N2	3		
055Z			D00811	DED		31-51-11	D00823			N2	3		
56	24	PV	D00823	17		31-51-11	D00811	20		N2	3		
056Z			D00811	DED		31-51-11	D00823			N2	3		
57	22	PA	D00817	14		31-51-11	GDX0002	D..	2	N2	2		
58	24	PV	D00817	27		31-51-11	D00811	51		N2	3		
058Z			D00811	DED		31-51-11	D00817			N2	3		

286T0045-0AL
Wire Bundle Assembly
Figure 136 (Sheet 3)

25-71-02

WIRE		FROM EQUIPMENT			TO EQUIPMENT			WIRE INFO					
NUMBER	GA	TYP	NUMBER	TERM	TT	WDM REF	NUMBER	TERM	TT	EMC/SEP	FT	NOTE	EFFECTIVITY
59	24	PV	D00817	32		31-51-11	D00811	74		N2	3		
059Z			D00811	DED		31-51-11	D00817			N2			
60	24	PK	D00817	45		31-51-11	SM00021		W	N2	1		
61	24	PK	D00811	64		31-51-11	SM00021		W	N2	2		
62	24	PK	D01489	16		31-51-11	SM00021		W	N2	1		
63	24	PK	D01487	45		31-51-11	SM00021		W	N2	1		
64	24	PV	D01487	27		31-51-11	D00811	47		N2	3		
064Z			D00811	DED		31-51-11	D01487			N2			
65	24	PV	D01487	32		31-51-11	D00811	70		N2	3		
065Z			D00811	DED		31-51-11	D01487			N2			
66	22	PA	D01487	14		31-51-11	GDX0003	D..	2	N2	2		
67	24	PV	D01489	27		31-51-11	D00811	45		N2	3		
067Z			D00811	DED		31-51-11	D01489			N2			
68	24	PV	D01489	32		31-51-11	D00811	50		N2	3		
068Z			D00811	DED		31-51-11	D01489			N2			
69	24	PV	D01489	17		31-51-11	D00811	36		N2	3		
069Z			D00811	DED		31-51-11	D01489			N2			
70	22	PA	D01489	14		31-51-11	GDX0003	D..	2	N2	2		
71	20	UA	D01381			31-51-11	GDX0002	S..	2	N2	2		
72	20	UA	D00823			31-51-11	GDX0002	S..	2	N2	2		
73	20	UA	D00817			31-51-11	GDX0002	S..	2	N2	2		
74	20	PA	SM00026			31-51-11	GDX0005	D..	2	N2	2		
75	20	UA	D01487			31-51-11	GDX0005	S..	2	N2	2		
76	20	UA	GDX0005	S..	W	31-51-11	D01489			N2	2		
77	24	PK	D02261	40		31-41-35	D04349J	1		N2	2		
78	20	PA	SM00027		2	31-51-11	GDX0005	D..	2	N2	2		
79	22	PA	D00813	60		31-51-12	GDX0003	S..	2	N2	3		
80	22	PA	D00821	15		31-51-12	GDX0002	D..	2	N2	2		UAE-F2
81	24	PV	D00821	30		31-51-12	SM00073		W	N2	1		
081Z			SM00073	REF		31-51-12	D00821			N2			
82	24	PV	D00821	33		31-51-12	SM00074		W	N2	1		
082Z			SM00074	REF		31-51-12	D00821			N2			

 286T0045-0AL
 Wire Bundle Assembly
 Figure 136 (Sheet 4)

25-71-02

 TESTING & TROUBLE SHOOTING
 01 Page 184X
 Nov 01/02



BOEING
COMPONENT
MAINTENANCE MANUAL

WIRE			FROM EQUIPMENT			TO EQUIPMENT			WIRE INFO				
NUMBER	GA	TYP	NUMBER	TERM	TT	WDM REF	NUMBER	TERM	TT	EMC/SEP	FT	NOTE	EFFECTIVITY
83	24	PV	D00821	24		31-51-12	D00813	35		N2	3		
083Z			D00813	DED		31-51-12	D00821			N2			
84	24	PK	D00821	19		31-51-12	SM00025		W	N2	1		
85	24	PK	D00813	65		31-51-12	SM00025		W	N2	2		
86	24	PK	D00819	3		31-51-12	SM00025		W	N2	1		
87	24	PK	D01433	18		31-51-12	SM00025		W	N2	1		
88	22	PA	D01433	15		31-51-12	GDX0002	D..	2	N2	2		
89	24	PV	D01433	30		31-51-12	SM00054		W	N2	1		
089Z			SM00054	REF		31-51-12	D01433			N2			
90	24	PV	D01433	33		31-51-12	SM00055		W	N2	1		
090Z			SM00055	REF		31-51-12	D01433			N2			
91	24	PV	D01433	24		31-51-12	SM00056		W	N2	1		
091Z			SM00056	REF		31-51-12	D01433			N2			
92	22	PA	D00819	15		31-51-12	GDX0002	D..	2	N2	2		
93	24	PV	D00819	30		31-51-12	D00813	13		N2	3		
093Z			D00813	DED		31-51-12	D00819			N2			
94	20	PA	SM00032		W	31-51-12	GDX0005	D..	2	N2			
95	24	PV	D01505	X2		31-51-12	D00813	75		N2	3		
095Z			D00813	DED		31-51-12	D01505			N2			
96	24	PV	D01505	X1		31-51-12	SM00016		W	N2	1		
096Z			SM00016	REF		31-51-12	D01505			N2			
97	24	PV	D00813	46		31-51-12	SM00016		W	N2	2		
097Z			SM00016	REF		31-51-12	D00813	DED		N2			
98	20	PA	SM00033		W	31-51-12	GDX0005	D..	2	N2			
99	24	PK	SM00016		W	31-51-12	D11553	25		N2	1		
10A	24	PK	D01489	21		31-51-33	D04349J	23		N2	2		
100	20	PA	D11553	1		31-51-12	GDX0003	D..	2	N2	2		
101	20	UA	D00821			31-51-12	GDX0004	S..	2	N2	2		
102	20	UA	D00819			31-51-12	GDX0004	S..	2	N2	2		
103	20	UA	D01433			31-51-12	GDX0004	S..	2	N2	2		
104	20	UA	D01505			31-51-12	GDX0005	S..	2	N2	2		
106	20	UA	D00815			31-51-12	GDX0004	S..	2	N2	2		

286T0045-0AL
Wire Bundle Assembly
Figure 136 (Sheet 5)

25-71-02

WIRE		FROM EQUIPMENT		TO EQUIPMENT		WIRE INFO		
NUMBER	GA TYP	NUMBER	TERM	WDM REF	NUMBER	TERM	TT	
							EMC/SEP	
							FT	
							NOTE	
							EFFECTIVITY	
107	20 UA	D01381		31-51-12	GDX0004	S..	2	
109	20 UA	D00817		31-51-12	GDX0004	S..	2	
110	20 UA	D01487		31-51-12	GDX0001	S..	2	
111	20 UA	D01489		31-51-12	GDX0001	S..	2	
112	22 PA	D00815	15	31-51-12	GDX0001	D..	2	
113	24 PK	D01505	A2	31-51-12	SM00005		W	
114	20 PA	D01505	A3	31-51-12	GDX0003	D..	2	
115	24 PK	D02261	21	21-61-51	D04347J	25	2	
116	24 PK	D00815	21	31-51-12	SM00023		W	
117	24 PK	D00813	63	31-51-12	SM00023		W	
118	24 PK	D00823	1	31-51-12	SM00023		W	
119	24 PK	D01381	1	31-51-12	SM00023		W	
120	22 PA	D01381	15	31-51-12	GDX0001	D..	2	
121	24 PK	D00817	56	31-51-12	SM00024		W	
122	24 PK	D00813	64	31-51-12	SM00024		W	
123	24 PK	D01487	56	31-51-12	SM00024		W	
124	22 PA	D00823	15	31-51-12	GDX0001	D..	2	
125	20 UA	D00823	15	31-51-12	GDX0004	S..	2	
126	24 PV	D00823	33	31-51-12	D00813	15	2	
126Z	24 PV	D00823	33	31-51-12	D00813	DED	2	
127	24 PV	D00823	24	31-51-12	D00813	20	2	
127Z	24 PV	D00823	24	31-51-12	D00813	DED	2	
128	22 PA	D00817	15	31-51-12	GDX0002	D..	2	
129	24 PV	D00817	30	31-51-12	D00813	51	N2	
129Z	24 PV	D00817	30	31-51-12	D00813	DED	N2	
130	24 PV	D00817	33	31-51-12	D00813	74	N2	
130Z	24 PV	D00817	33	31-51-12	D00813	DED	N2	
131	24 PV	D00813	11	31-51-12	D00813	30	N2	
131Z	24 PV	D01381	16	31-51-12	D01381	DED	N2	
132	24 PV	D00813	16	31-51-12	D01381	33	N2	
132Z	24 PV	D01381	24	31-51-12	D00813	DED	N2	
133	24 PV	D01381	24	31-51-12	D00813	21	N2	

286T0045-OAL
Wire Bundle Assembly
Figure 136 (Sheet 6)

25-71-02



BOEING
COMPONENT
MAINTENANCE MANUAL

WIRE			FROM EQUIPMENT			TO EQUIPMENT			WIRE INFO				
NUMBER	GA	TYP	NUMBER	TERM	TT	WDM REF	NUMBER	TERM	TT	EMC/SEP	FT	NOTE	EFFECTIVITY
133Z			D01381			31-51-12	D00813	DED		N2			
134	24	PK	D01489	50		31-51-12	SM00024		W	N2	1		
135	24	PV	D01487	30		31-51-12	D00813	47		N2	3		
135Z			D01487			31-51-12	D00813	DED		N2			
136	24	PV	D01487	33		31-51-12	D00813	70		N2	3		
136Z			D01487			31-51-12	D00813	DED		N2			
137	22	PA	D01487	15		31-51-12	GDX0003	D..	2	N2	2		
138	24	PV	D01489	30		31-51-12	D00813	45		N2	3		
138Z			D01489			31-51-12	D00813	DED		N2			
139	24	PV	D01489	33		31-51-12	D00813	50		N2	3		
139Z			D01489			31-51-12	D00813	DED		N2			
140	24	PV	D01489	24		31-51-12	D00813	36		N2	3		
140Z			D01489			31-51-12	D00813	DED		N2			
141	22	PA	D01489	15		31-51-12	GDX0003	D..	2	N2	2		
142	24	PK	D00813	33		31-51-12	D11553	26		N2	3		
143	24	PK	D11553	27		31-51-12	D00813	34		N2	3		
144	24	PV	D00813	12		31-51-12	D00815	30		N2	3		
144Z			D00813	DED		31-51-12	D00815			N2			
145	20	PA	SM00030		W	31-51-12	GDX0005	D..	2	N2			
146	24	PV	D00813	17		31-51-12	D00815	33		N2	3		
146Z			D00813	DED		31-51-12	D00815			N2			
147	24	PV	D00813	22		31-51-12	D00815	24		N2	3		
147Z			D00813	DED		31-51-12	D00815			N2			
148	24	PV	D00813	10		31-51-12	D00823	30		N2	3		
148Z			D00813	DED		31-51-12	D00823			N2			
149	20	PA	SM00031		W	31-51-12	GDX0005	D..	2	N2			
150	22	PA	D04301J	6		27-32-11	D00823	34		N2	2		
151	24	PK	D04509J	1		27-32-11	D00823	39		N2	2		
152	24	PK	D04347J	26		27-32-11	D00823	40		N2	2		
153	24	PK	D00823	31		27-32-11	D04509J	6		N2	2		
154	20	PA	D04509J	7		27-32-11	GDX0001	D..	2	N2	2		
155	24	PK	SM00037		W	27-32-11	D04511J	3		N2	1		

286T0045-0AL
Wire Bundle Assembly
Figure 136 (Sheet 7)

25-71-02

WIRE NUMBER	WIRE		FROM EQUIPMENT				TO EQUIPMENT				WIRE INFO		
	GA	TYP	NUMBER	TERM	TT	WDM REF	NUMBER	TERM	TT	EMC / SEP	FT	NOTE	EFFECTIVITY
156	24	PK	D00823	38		27-32-11	D04511J	2		N2	2		
157	24	PK	D04511J	4		27-32-11	SM00050		W	N2	1		
158	24	PK	SM00037		W	27-32-11	D00823	4		N2	1		
159	24	PK	D04349J	14		27-32-11	D00823	36		N2	1		
160	24	PK	D04349J	15		27-32-11	D00823	3		N2	1		
161	24	PK	D04349J	16		27-32-11	D00823	43		N2	1		
162	24	PK	D04349J	10		27-32-11	D00823	2		N2	1		
165	22	PA	D04349J	11		27-32-21	D01381	34		N2	2		
166	24	PK	D01381	40		27-32-21	D04349J	6		N2	2		
167	24	PK	D01381	31		27-32-21	D04511J	7		N2	2		
168	20	PA	GDX0002	D..	2	27-32-21	D04511J	8		N2	2		
169	24	PK	D04349J	34		27-32-21	D01381	36		N2	2		
170	24	PK	D04349J	35		27-32-21	D01381	3		N2	2		
171	24	PK	D04349J	36		27-32-21	D01381	43		N2	2		
172	24	PK	D04349J	37		27-32-21	D01381	2		N2	2		
173	24	PK	D04511J	13		27-32-21	D01381	4		N2	2		
174	24	PK	D04511J	16		27-32-21	D01381	37		N2	2		
175	24	PK	D04511J	15		27-32-21	D01381	38		N2	2		
176	24	PK	D04509J	8		27-32-21	D01381	39		N2	2		
177	24	PK	D00815	34		31-51-21	SM00057		W	N2	1		
178	24	PK	D00815	43		31-51-21	D01433	19		N2	2		
179	24	PK	D00815	10		31-51-21	D00819	5		N2	2		
180	24	PK	D04507J	5		31-51-21	SM00034		W	N2	1		
181	24	PK	SM00058		W	31-51-21	D00815	66		N2	1		
182	24	PK	D00815	4		31-51-21	SM00034		W	N2	1		
183	24	PK	D00815	11		31-51-21	D04349J	39		N2	2		
184	22	PA	D00815	37		31-51-21	SM00035		W	N2	1		
185	22	PA	D00815	42		31-51-21	SM00036		W	N2	1		
186	24	PK	D04349J	5		31-51-21	SM00012		W	N2	1		
187	24	PK	D00815	2		31-51-21	SM00012		W	N2	1		
188	24	PK	SM00011		W	31-51-21	D04349J	4		N2	1		
189	24	PK	SM00011		W	31-51-21	D00815	35		N2	1		

286T0045-OAL
Wire Bundle Assembly
Figure 136 (Sheet 8)

25-71-02



BOEING
COMPONENT
MAINTENANCE MANUAL

WIRE		FROM EQUIPMENT			TO EQUIPMENT			WIRE INFO					
NUMBER	GA	TYP	NUMBER	TERM	TT	WDM REF	NUMBER	TERM	TT	EMC/SEP	FT	NOTE	EFFECTIVITY
190	24	PK	D04349J	12		31-51-21	SM00009		W	N2	1		
191	24	PK	D00815	44		31-51-21	SM00009		W	N2	1		
192	24	PK	D04347J	10		31-51-21	SM00008		W	N2	1		
193	24	PK	D00815	1		31-51-21	SM00008		W	N2	1		
194	24	PK	D04347J	11		31-51-21	SM00010		W	N2	1		
195	24	PK	D00815	36		31-51-21	SM00010		W	N2	1		
196	24	PK	SM00039		W	31-51-21	D04347J	21	W	N2	1		
197	24	PK	D00815	45		31-51-21	SM00039		W	N2	1		
198	24	PK	D00815	46		31-51-21	D04347J	6	W	N2	2		
199	20	PA	GDX0004	S..	2	31-51-31	D04597J	14	W	N2	2		
201B	24	PW	D01489	43		31-51-33	SM00004		W	N2	1		
201R	24	PW	D01489	9		31-51-33	SM00003		W	N2	1		
201Z			D01489	DED		31-51-33	SM00003	REF	W	N2	1		
204	20	UA	D04507J			27-32-11	GDX0004	S..	2	N2	2		
204B	24	PW	D00823	18		27-32-11	D04507J	12	W	N2	1		
204R	24	PW	D00823	16		27-32-11	D04507J	11	W	N2	1		
204Z			D04507J			27-32-11	D00823	DED	W	N2	1		
205B	24	PW	D00815	19		31-51-21	SM00007		W	N2	1		
205R	24	PW	D00815	52		31-51-21	SM00006		W	N2	1		
205Z			D00815	DED		31-51-21	SM00006	REF	W	N2	1		
207	20	UA	D04597J			31-51-21	GDX0004	S..	2	N2	2		
207B	24	PW	SM00007		W	31-51-21	D04597J	4	W	N2	1		
207R	24	PW	SM00006		W	31-51-21	D04597J	3	W	N2	1		
207Z			SM00006	REF		31-51-21	D04597J		W	N2	1		
208	20	UA	D04301J			34-16-11	GDX0002	S..	2	N2	2		
208B	24	PW	D00821	36		34-16-11	D04301J	9	W	N2	2		
208R	24	PW	D00821	2		34-16-11	D04301J	8	W	N2	2		
208Z			D00821	DED		34-16-11	D04301J		W	N2	2		
209B	24	PW	D01489	46		31-51-33	SM00007		W	N2	1		
209R	24	PW	D01489	12		31-51-33	SM00006		W	N2	1		
209Z			D01489	DED		31-51-33	SM00006	REF	W	N2	1		
212B	24	PW	D01433	36		31-51-42	SM00007		W	N2	1		

286T0045-OAL
Wire Bundle Assembly
Figure 136 (Sheet 9)

25-71-02

WIRE		FROM EQUIPMENT		TO EQUIPMENT		WIRE INFO							
NUMBER	GA	TYP	NUMBER	TERM	TT	WDM REF	NUMBER	TERM	TT	EMC/SEP	FT	NOTE	EFFECTIVITY
212R	24	PW	D01433	2		31-51-42	SM00006		W	N2			
212Z			D01433	DED		31-51-42	SM00006	REF		N2			
213	20	UA	D04507J			34-16-11	GDX0004	S..	2	N2	2		
213B	24	PW	D00821	35		34-16-11	D04507J	8		N2	2		
213R	24	PW	D00821	1		34-16-11	D04507J	9		N2			
213Z			D00821	DED		34-16-11	D04507J			N2			
214	20	UA	D04349J			34-16-11	GDX0004	S..	2	N2	2		
214B	24	PW	D00821	37		34-16-11	D04349J	19		N2	2		
214R	24	PW	D00821	3		34-16-11	D04349J	18		N2			
214Z			D00821	DED		34-16-11	D04349J			N2	2		
215B	24	PL	D01487	24		31-51-31	D04597J	12		N2			
215R	24	PL	D01487	23		31-51-31	D04597J	13		N2			
216B	24	PL	D00817	24		31-51-32	D04303J	12		N2	2		
216R	24	PL	D00817	23		31-51-32	D04303J	11		N2			
221B	24	PW	D01489	45		31-51-33	SM00004		W	N2	1		
221R	24	PW	D01489	11		31-51-33	SM00003		W	N2			
221Z			D01489	DED		31-51-33	SM00003	REF		N2			
223B	24	PW	D00821	38		34-16-11	SM00004		W	N2	1		
223R	24	PW	D00821	4		34-16-11	SM00003		W	N2			
223Z			D00821	DED		34-16-11	SM00003	REF		N2			
224	20	UA	D04349J			27-32-21	GDX0004	S..	2	N2	2		
224B	24	PW	D04349J	28		27-32-21	D01381	18		N2	2		
224R	24	PW	D04349J	27		27-32-21	D01381	16		N2			
224Z			D04349J	DED		27-32-21	D01381	DED		N2			
225B	22	PR	D00811	69		31-51-11	SM00060		W	N2	2		
225R	22	PR	D00811	68		31-51-11	SM00060		W	N2			
225Z			D00811	DED		31-51-11	SM00028			N2			
226B	22	PR	D00813	69		31-51-12	SM00061	REF	W	N2	2		
226R	22	PR	D00813	68		31-51-12	SM00061		W	N2			
226Z			D00813	DED		31-51-12	SM00030	REF		N2			
230	20	UA	D04347J			31-51-33	GDX0003	S..	2	N2	2		
230B	24	PW	D04347J	18		31-51-33	SM00004		W	N2	1		

286T0045-OAL
Wire Bundle Assembly
Figure 136 (Sheet 10)

25-71-02



BOEING
COMPONENT
MAINTENANCE MANUAL

WIRE			FROM EQUIPMENT			TO EQUIPMENT			WIRE INFO				
NUMBER	GA	TYP	NUMBER	TERM	TT	WDM REF	NUMBER	TERM	TT	EMC/SEP	FT	NOTE	EFFECTIVITY
230R	24	PW	D04347J	17		31-51-33	SM00003		W	N2			
230Z			D04347J			31-51-33	SM00003	REF		N2			
234	20	UA	D04301J			31-51-34	GDX0001	S..	2	N2	2		
234B	24	PW	D04301J	14		31-51-34	D00907	66		N2	2		
234R	24	PW	D04301J	13		31-51-34	D00907	34		N2			
234Z			D04301J			31-51-34	D00907	DED		N2			
235	20	UA	D04347J			31-51-34	GDX0001	S..	2	N2	2		
235B	24	PW	D04347J	50		31-51-34	D00907	19		N2	2		
235R	24	PW	D04347J	49		31-51-34	D00907	20		N2			
235Z			D04347J			31-51-34	D00907	DED		N2	2		
236	20	UA	D04347J			27-32-11	GDX0001	S..	2	N2	2		
236B	24	PW	D04347J	37		27-32-11	D00823	54		N2	2		
236R	24	PW	D04347J	36		27-32-11	D00823	23		N2			
236Z			D04347J			27-32-11	D00823	DED		N2			
237B	24	PW	D04347J	40		27-32-11	D00823	13		N2	2		
237R	24	PW	D04347J	39		27-32-11	D00823	12		N2			
237Z			D04347J			27-32-11	D00823	DED		N2			
238	20	UA	D04349J			27-32-21	GDX0001	S..	2	N2	2		
238B	24	PW	D04349J	49		27-32-21	D01381	54		N2	2		
238R	24	PW	D04349J	48		27-32-21	D01381	23		N2			
238Z			D04349J			27-32-21	D01381	DED		N2			
239B	24	PW	D01381	20		27-32-21	D04349J	55		N2	2		
239R	24	PW	D01381	19		27-32-21	D04349J	54		N2			
239Z			D01381	DED		27-32-21	D04349J			N2			
240B	24	PL	D04347J	23		31-51-31	SM00080		W	N2	1		
240R	24	PL	D04347J	22		31-51-31	SM00042		W	N2			
241B	24	PL	D01487	60		31-51-31	SM00080		W	N2	1		
241R	24	PL	D01487	28		31-51-31	SM00042		W	N2			
242B	24	PL	D00817	60		31-51-32	SM00080		W	N2	1		
242R	24	PL	D00817	28		31-51-32	SM00042		W	N2			
243B	24	PW	D04349J	52		27-32-21	D01381	13		N2	2		
243R	24	PW	D04349J	51		27-32-21	D01381	12		N2			

286T0045-0AL
Wire Bundle Assembly
Figure 136 (Sheet 11)

25-71-02

WIRE		FROM EQUIPMENT			TO EQUIPMENT			WIRE INFO					
NUMBER	GA	TYP	NUMBER	TERM	TT	WDM REF	NUMBER	TERM	TT	EMC/SEP	FT	NOTE	EFFECTIVITY
243Z			D04349J			27-32-21	D01381	DED		N2			
245B	24	PW	D00823	20		27-32-11	D04347J	48		N2	2		
245R	24	PW	D00823	19		27-32-11	D04347J	47		N2			
245Z			D00823	DED		27-32-11	D04347J			N2			
247	20	UA	D04349J			31-41-35	GDX0006	S..	2	N2	2		
247B	24	PW	D02261	42		31-41-35	D04349J	57		N2	2		
247R	24	PW	D02261	43		31-41-35	D04349J	56		N2			
247Z			D02261	DED		31-41-35	D04349J			N2			
248	20	UA	D04349J			28-41-11	GDX0006	S..	2	N2	2		
248B	24	PW	D02261	5		28-41-11	D04349J	60		N2	2		
248R	24	PW	D02261	8		28-41-11	D04349J	59		N2			
248Z			D02261	DED		28-41-11	D04349J			N2			
249	20	UA	D02261	REF		32-45-11	GDX0003	S..	2	N2	2		
249B	24	PW	D02261	46		32-45-11	D04511J	23		N2	2		
249R	24	PW	D02261	48		32-45-11	D04511J	22		N2			
249Z			D02261	REF		32-45-11	D04511J	24		N2			
270	20	PA	GDX0006	D..	2	31-51-32	SM00086		W	N2	1		
271B	24	PL	D04597J	5		31-51-31	SM00088		W	N2	1		
271R	24	PL	D04597J	2		31-51-31	SM00087		W	N2			
272B	24	PL	D01487	63		31-51-31	SM00088		W	N2	1		
272R	24	PL	D01487	62		31-51-31	SM00087		W	N2			
273B	24	PL	D00817	63		31-51-32	SM00088		W	N2	1		
273R	24	PL	D00817	62		31-51-32	SM00087		W	N2			
290B	24	PW	D04597J	8		34-43-15	SM00104		W	N2	1		
290R	24	PW	D04597J	7		34-43-15	SM00103		W	N2			
290Z			D04597J	9		34-43-15	SM00103	REF	W	N2	1		
291B	24	PW	D04303J	4		34-43-15	SM00104		W	N2			
291R	24	PW	D04303J	3		34-43-15	SM00103		W	N2			
291Z			D04303J	5		34-43-15	SM00103	REF	W	N2			
292B	24	PW	D04347J	53		34-43-15	SM00104		W	N2	1		
292R	24	PW	D04347J	51		34-43-15	SM00103		W	N2			
292Z			D04347J	61		34-43-15	SM00103	REF	W	N2			

286T0045-0AL
Wire Bundle Assembly
Figure 136 (Sheet 12)

25-71-02



BOEING
COMPONENT
MAINTENANCE MANUAL

WIRE			FROM EQUIPMENT			TO EQUIPMENT			WIRE INFO				
NUMBER	GA	TYP	NUMBER	TERM	TT	WDM REF	NUMBER	TERM	TT	EMC/SEP	FT	NOTE	EFFECTIVITY
301	20	UA	SM00028	REF		31-51-11	GDX0005	S..	2	N2	1		
301B	22	PS	D00811	57		31-51-11	SM00028		W	N2	2		
301R	22	PS	D00811	38		31-51-11	SM00028		W	N2			
301Y	22	PS	D00811	58		31-51-11	SM00028		W	N2			
301Z			D00811	DED		31-51-11	SM00028	REF	W	N2	2		
302B	22	PS	D00811	42		31-51-11	SM00029		W	N2			
302R	22	PS	D00811	41		31-51-11	SM00029		W	N2			
302Y	22	PS	D00811	43		31-51-11	SM00029		W	N2			
302Z			D00811	DED		31-51-11	SM00028	REF	W	N2	2		
303B	22	PS	D00811	8		31-51-11	SM00026		W	N2			
303R	22	PS	D00811	7		31-51-11	SM00026		W	N2			
303Y	22	PS	D00811	9		31-51-11	SM00026		W	N2			
303Z			D00811	DED		31-51-11	SM00028	REF	W	N2	2		
304B	22	PS	D00811	25		31-51-11	SM00027		W	N2			
304R	22	PS	D00811	24		31-51-11	SM00027		W	N2			
304Y	22	PS	D00811	37		31-51-11	SM00027		W	N2			
304Z			D00811	DED		31-51-11	SM00028	REF	W	N2	2		
305	20	UA	SM00030	REF		31-51-12	GDX0005	S..	2	N2	1		
305B	22	PS	D00813	8		31-51-12	SM00030		W	N2	2		
305R	22	PS	D00813	7		31-51-12	SM00030		W	N2			
305Y	22	PS	D00813	9		31-51-12	SM00030		W	N2			
305Z			D00813	DED		31-51-12	SM00030	REF	W	N2	2		
306B	22	PS	D00813	25		31-51-12	SM00031		W	N2			
306R	22	PS	D00813	24		31-51-12	SM00031		W	N2			
306Y	22	PS	D00813	37		31-51-12	SM00031		W	N2			
306Z			D00813	DED		31-51-12	SM00030	REF	W	N2	2		
307B	22	PS	D00813	57		31-51-12	SM00032		W	N2			
307R	22	PS	D00813	38		31-51-12	SM00032		W	N2			
307Y	22	PS	D00813	58		31-51-12	SM00032		W	N2			
307Z			D00813	DED		31-51-12	SM00030	REF	W	N2	2		
308B	22	PS	D00813	42		31-51-12	SM00033		W	N2			
308R	22	PS	D00813	41		31-51-12	SM00033		W	N2			

286T0045-0AL
Wire Bundle Assembly
Figure 136 (Sheet 13)

25-71-02

WIRE			FROM EQUIPMENT				TO EQUIPMENT				WIRE INFO			
NUMBER	GA	TYP	NUMBER	TERM	TT	WDM REF	NUMBER	TERM	TT	EMC/SEP	FT	NOTE	EFFECTIVITY	
308Y	22	PS	D00813	43		31-51-12	SM00033		W	N2				
308Z			D00813	DED		31-51-12	SM00030	REF		N2				
503	24	PK	D04347J	34		36-23-11	D02261	25		N2	2			
504	24	PK	D04347J	35		36-23-11	D02261	22		N2	2			
510	22	PA	D02261	36		79-32-11	D04301J	21		N2	2			
511	22	PA	D02261	3		79-32-12	D04301J	22		N2	2			
512	24	PK	D02261	20		27-81-31	D04349J	8		N2	2			
515	24	PK	D02261	24		32-45-11	D04511J	9		N2	2			
601	20	PA	SM00060		W	31-51-11	GDX0004	D..	2	N2				
602	20	PA	SM00061		W	31-51-12	GDX0005	D..	2	N2				
603	24	PV	D04301J	5		31-51-12	M01103	INE	D	N2	1			
603Z			D04301J	DED		31-51-12	M01103			N2				
604	24	PV	D04301J	4		31-51-12	D00813	4		N2	3			
604Z			D04301J	DED		31-51-12	D00813			N2				
605	24	PV	D00813	1		31-51-12	M01103	OAD	D	N2	3			
605Z			D00813			31-51-12	M01103	DED		N2				
606	24	PV	D04349J	32		31-51-11	M01102	INE	D	N2	1			
606Z			D04349J	DED		31-51-11	M01102			N2				
607	24	PV	D04349J	33		31-51-11	D00811	4		N2	3			
607Z			D04349J	DED		31-51-11	D00811			N2				
608	24	PV	D00811	1		31-51-11	M01102	OAD	D	N2	3			
608Z			D00811			31-51-11	M01102	DED		N2				
610	24	PK	D00823	37		27-32-11	SM00050		W	N2	1			
611	24	PK	D01433	6		31-51-42	D04347J	20		N2	2			
612	24	PK	D01433	4		31-51-42	SM00050		W	N2	1			
613	24	PK	D04349J	30		31-51-31	SM00065		W	N2	1			
614	24	PK	D01487	52		31-51-31	SM00065		W	N2	1			
615	24	PK	D00817	52		31-51-32	SM00065		W	N2	1			
617	24	PK	D01381	11		27-32-12	D00823	56		N2	1			
618	24	PK	D01381	56		27-32-12	D00823	11		N2	1			
619	24	PK	D00823	45		27-32-12	SM00082		W	N2	1			
620	24	PK	D04349J	29		31-51-21	SM00071		W	N2	1			

286T0045-0AL
Wire Bundle Assembly
Figure 136 (Sheet 14)

25-71-02



BOEING
COMPONENT
MAINTENANCE MANUAL

WIRE		FROM EQUIPMENT			TO EQUIPMENT			WIRE INFO					
NUMBER	GA	TYP	NUMBER	TERM	TT	WDM REF	NUMBER	TERM	TT	EMC/SEP	FT	NOTE	EFFECTIVITY
621	24	PK	D00815	7		31-51-21	SM00071		W	N2	1		
622	24	PK	D01489	2		31-51-33	SM00071		W	N2	1		
623	24	PK	D01489	36		31-51-33	SM00038		W	N2	1		
624	24	PK	D00815	8		31-51-21	SM00045		W	N2	1		
625	24	PK	D01487	9		31-51-31	SM00034		W	N2	1		
630	22	PA	D01487	21		31-51-31	GDX0006	D..	2	N2	2		
631	24	PK	D00817	9		31-51-32	SM00034		W	N2	1		
636	22	PA	D00817	21		31-51-32	SM00086		W	N2	1		
644	22	PQ	D00823	66		27-32-31	D04347J	42		N2	2		
644Z			D00823	DED		27-32-31	D04347J	DED		N2			
646	22	PQ	D01381	66		27-32-31	D04349J	42		N2	2		
646Z			D01381	DED		27-32-31	D04349J	DED		N2			
652	24	PV	D00811	26		31-51-11	SM00068		W	N2	2		
652Z			D00811	DED		31-51-11	SM00068	REF		N2			
653	24	PV	D00811	49		31-51-11	SM00069		W	N2	2		
653Z			D00811	DED		31-51-11	SM00069	REF		N2			
654	24	PV	D01739	27		31-51-11	SM00068		W	N2	1		
654Z			D01739	DED		31-51-11	SM00068	REF		N2			
655	24	PV	D01739	32		31-51-11	SM00069		W	N2	1		
655Z			D01739	DED		31-51-11	SM00069	REF		N2			
656	24	PK	D01739	10		31-51-11	SM00022		W	N2	1		
657	22	PA	D01739	14		31-51-11	GDX0006	D..	2	N2	2		
658	24	PV	D01741	27		31-51-11	SM00062		W	N2	1		
658Z			D01741	DED		31-51-11	SM00062	REF		N2			
659	24	PV	D01741	32		31-51-11	SM00059		W	N2	1		
659Z			D01741	DED		31-51-11	SM00059	REF		N2			
661	24	PK	D01741	10		31-51-11	SM00063		W	N2	1		
662	22	PA	D01741	14		31-51-11	GDX0006	D..	2	N2	1		
663	24	PV	D00813	26		31-51-12	SM00073		W	N2	2		
663Z			D00813	DED		31-51-12	SM00073	REF		N2			
664	24	PV	D00813	49		31-51-12	SM00074		W	N2	2		
664Z			D00813	DED		31-51-12	SM00074	REF		N2			

286T0045-0AL
Wire Bundle Assembly
Figure 136 (Sheet 15)

25-71-02

WIRE		FROM EQUIPMENT			TO EQUIPMENT			WIRE INFO					
NUMBER	GA	TYP	NUMBER	TERM	TT	WDM REF	NUMBER	TERM	TT	EMC/SEP	FT	NOTE	EFFECTIVITY
665	24	PV	D01739	30		31-51-12	SM00073		W	N2	1		
665Z			D01739	DED		31-51-12	SM00073	REF		N2			
666	24	PV	D01739	33		31-51-12	SM00074		W	N2	1		
666Z			D01739	DED		31-51-12	SM00074	REF		N2			
667	24	PK	D01739	9		31-51-12	SM00025		W	N2	1		
668	22	PA	D01739	15		31-51-12	GDX0006	D..	2	N2	2		
669	24	PV	D01741	30		31-51-12	SM00072		W	N2	1		
669Z			D01741	DED		31-51-12	SM00072	REF		N2			
670	24	PV	D01741	33		31-51-12	SM00064		W	N2	1		
670Z			D01741	DED		31-51-12	SM00064	REF		N2			
672	24	PK	D01741	9		31-51-12	SM00076		W	N2	1		
673	22	PA	D01741	15		31-51-12	GDX0006	D..	2	N2	1		
674	24	PK	D01487	53		31-51-31	D01739	24		N2	2		
675	24	PK	D01741	24		31-51-32	D00817	53		N2	2		
676	24	PK	D01739	1		31-51-35	SM00036		W	N2	1		
677	24	PK	D01739	3		31-51-35	SM00035		W	N2	1		
679	24	PK	D01741	1		31-51-36	SM00036		W	N2	1		
680	24	PK	D01741	3		31-51-36	SM00035		W	N2	1		
681	24	PK	D01433	10		31-51-43	D04507J	10		N2	2		
682	24	PK	D01433	13		31-51-43	D04347J	46		N2	2		
683	22	PA	D01433	41		31-51-43	SM00081		W	N2	1		
684	20	PA	GDX0001	D..	2	31-51-43	D04349J	47		N2	2		
685	24	PK	D00823	58		27-32-12	D01505	A1		N2	2		
686	24	PK	D00823	8		27-32-11	SM00038		W	N2	1		
687	24	PK	D00823	64		27-32-11	SM00081		W	N2	1		
688	24	PK	D01381	58		27-32-22	D01503	A1		N2	2		
689	24	PK	D01381	45		27-32-22	SM00085		W	N2	1		
692	24	PK	D01381	8		27-32-21	SM00038		W	N2	1		
693	24	PK	D04347J	30		31-51-21	D00815	6		N2	2		
694	22	PA	D04349J	46		31-51-43	SM00081		W	N2	1		
696	20	PA	GDX0003	D..	2	27-32-12	SM00082		W	N2	1		
697	20	PA	GDX0003	D..	2	27-32-22	SM00085		W	N2	1		

286T0045-0AL
Wire Bundle Assembly
Figure 136 (Sheet 16)

25-71-02



BOEING
COMPONENT
MAINTENANCE MANUAL

WIRE		FROM EQUIPMENT			TO EQUIPMENT			WIRE INFO					
NUMBER	GA	TYP	NUMBER	TERM	TT	WDM REF	NUMBER	TERM	TT	EMC/SEP	FT	NOTE	EFFECTIVITY
700	24	PK	D01741	11		31-51-36	SM00053		W	N2	1		
701	24	PK	D00815	49		31-51-21	D00815	22		N2			
702	24	PK	D00815	16		31-51-21	D00815	48		N2			
703	24	PK	D00819	6		31-51-41	SM00019		W	N2	1		
704	24	PK	SM00075		W	31-51-41	D04511J	14		N2	1		
705	24	PK	D00819	45		31-51-41	D04511J	12		N2	2		
706	24	PK	D00819	10		31-51-41	D04349J	31		N2	2		
707	24	PK	D00819	21		31-51-41	D04509J	4		N2	2		
708	24	PK	D00819	9		31-51-41	D04349J	7		N2	2		
709	24	PK	D00819	39		31-51-41	SM00044		W	N2	1		
710	24	PK	D00819	43		31-51-41	SM00037		W	N2	1		
711	24	PK	D00819	12		31-51-41	D04349J	21		N2	2		
712	24	PK	D00819	53		31-51-41	D04349J	3		N2	2		
713	24	PK	D00819	20		31-51-41	D04347J	9		N2	2		
714	24	PK	D00819	44		31-51-41	D04349J	24		N2	2		
715	24	PK	D04507J	6		31-51-42	SM00019		W	N2	1		
716	24	PK	D01433	34		31-51-42	SM00019		W	N2	1		
717	24	PK	D01433	37		31-51-42	SM00034		W	N2	1		
718	24	PK	D01433	39		31-51-42	D04509J	2		N2	2		
720	24	PK	D01433	52		31-51-42	SM00040		W	N2	1		
721	24	PK	D01433	38		31-51-42	D04347J	24		N2	2		
722	24	PK	D01433	5		31-51-42	D04349J	22		N2	2		
723	24	PK	D04511J	11		31-51-42	SM00038		W	N2	1		
724	24	PK	D01433	40		31-51-42	SM00038		W	N2	1		
725	24	PK	D01433	3		31-51-42	D04347J	13		N2	2		
726	22	PA	D04347J	14		31-51-21	SM00036		W	N2	1		
727	22	PA	D04301J	11		31-51-21	SM00035		W	N2	1		
728	24	PK	D04347J	1		31-51-41	D00819	35		N2	2		
729	24	PK	D04347J	2		31-51-41	D00819	1		N2	2		
730	24	PK	D04347J	3		31-51-41	D00819	36		N2	2		
731	24	PK	D04347J	4		31-51-41	D00819	2		N2	2		
732	24	PK	D04347J	5		31-51-42	D01433	20		N2	2		

286T0045-0AL
Wire Bundle Assembly
Figure 136 (Sheet 17)

25-71-02

WIRE		FROM EQUIPMENT			TO EQUIPMENT			WIRE INFO					
NUMBER	GA	TYP	NUMBER	TERM	T/T	WDM REF	NUMBER	TERM	T/T	EMC/SEP	FT	NOTE	EFFECTIVITY
733	24	PK	D04347J	16		34-16-11	D00821	65		N2	2		
734	24	PK	D04347J	8		31-51-31	SM00046		W	N2	1		
735	24	PK	D04507J	7		34-16-11	D00821	34		N2	2		
736	24	PK	D04507J	2		34-16-11	D00821	66		N2	2		
737	24	PK	SM00041		W	34-16-11	D00821	31		N2	1		
738	24	PK	D04347J	19		34-16-11	D00821	7		N2	2		
739	24	PK	SM00075		W	34-16-11	D00821	6		N2	1		
740	24	PK	SM00038		W	34-16-11	D00821	40		N2	1		
741	24	PK	D00821	18		34-16-11	D00821	22		N2	1		
742	24	PK	D00821	50		34-16-11	D00821	48		N2	2		
744	22	PA	D02261	41		79-36-11	D04349J	20		N2	2		
745	22	PA	D02261	9		79-36-11	D04347J	12		N2	2		
746	24	PK	D04597J	10		31-51-31	SM00043		W	N2	1		
747	24	PK	D01487	46		31-51-31	SM00043		W	N2	1		
748	24	PK	D04347J	7		31-51-31	SM00045		W	N2	1		
749	24	PK	D01487	10		31-51-31	SM00045		W	N2	1		
750	24	PK	D01487	19		31-51-31	SM00046		W	N2	1		
751	24	PK	D01487	13		31-51-31	SM00040		W	N2	1		
752	24	PK	D01487	47		31-51-31	SM00044		W	N2	1		
753	24	PK	D01487	51		31-51-31	SM00041		W	N2	1		
758	24	PK	D01487	22		31-51-31	D01489	23		N2	2		
759	24	PK	D01487	55		31-51-31	D01489	47		N2	2		
760	24	PK	D01487	34		31-51-31	D01489	51		N2	2		
761	24	PK	D01487	66		31-51-31	D01489	57		N2	2		
762	24	PK	D00817	10		31-51-32	SM00045		W	N2	1		
763	24	PK	D00817	46		31-51-32	SM00043		W	N2	1		
767	24	PK	D00817	19		31-51-32	SM00046		W	N2	1		
768	24	PK	D00817	13		31-51-32	SM00040		W	N2	1		
769	24	PK	D00817	47		31-51-32	SM00044		W	N2	1		
770	24	PK	D00817	51		31-51-32	SM00041		W	N2	1		
772	24	PK	D00817	22		31-51-32	D01489	54		N2	2		
773	24	PK	D00817	55		31-51-32	D01489	13		N2	2		

286T0045-OAL
Wire Bundle Assembly
Figure 136 (Sheet 18)

25-71-02



BOEING
COMPONENT
MAINTENANCE MANUAL

WIRE		FROM EQUIPMENT			TO EQUIPMENT			WIRE INFO					
NUMBER	GA	TYP	NUMBER	TERM	TT	WDM REF	NUMBER	TERM	TT	EMC/SEP	FT	NOTE	EFFECTIVITY
774	24	PK	D00817	34		31-51-32	D01489	25		N2	2		
775	24	PK	D00817	66		31-51-32	D01489	58		N2	2		
776	24	PK	D01489	42		31-51-33	D04347J	15		N2	2		
777	24	PK	D01489	8		31-51-33	D04349J	13		N2	2		
779	24	PK	D01489	35		31-51-33	D04349J	40		N2	2		
780	24	PK	D01489	53		31-51-33	D04349J	2		N2	2		
781	24	PK	D01489	31		31-51-33	D01489	48		N2	2		
782	24	PK	D01489	18		31-51-33	D01489	22		N2	2		
783	24	PK	D01489	38		31-51-33	SM00008		W	N2	1		
784	24	PK	D01489	4		31-51-33	SM00011		W	N2	1		
785	24	PK	D01489	37		31-51-33	SM00012		W	N2	1		
786	24	PK	D01489	3		31-51-33	SM00010		W	N2	1		
787	24	PK	D01489	1		31-51-33	SM00009		W	N2	1		
788	24	PK	D01489	6		31-51-33	SM00034		W	N2	1		
789	24	PK	D01489	41		31-51-33	D04509J	11		N2	2		
791	24	PK	D01489	7		31-51-33	D04509J	10		N2	2		
792	24	PK	D01489	40		31-51-33	D04509J	9		N2	2		
793	24	PK	D00819	11		31-51-41	SM00075		W	N2	1		
794	20	PA	D04303J	10		31-51-32	GDX0004	S..	2	N2	2		
795	24	PK	D01433	9		31-51-42	D01433	48		N2	2		
796	24	PK	D01433	22		31-51-42	D01433	50		N2	2		
797	24	PV	D00815	41		31-51-21	SM00053		W	N2	1		
797Z			D00815	DED		31-51-21	SM00053	DED		N2	2		
798	24	PV	D04349J	9		31-51-21	SM00053		W	N2	1		
798Z			D04349J	DED		31-51-21	SM00053	DED		N2	2		
799	24	PK	D04301J	7		31-51-34	D00907	49		N2	2		
800	24	PK	D00907	5		31-51-34	D00907	22		N2	2		
801	24	PK	D00907	6		31-51-34	D00907	48		N2	2		
802	24	PK	D04511J	20		31-51-34	D00907	13		N2	2		
803	24	PK	D04511J	21		31-51-34	D00907	3		N2	2		
804	24	PK	SM00013		W	31-51-34	D00907	50		N2	1		
805	24	PK	SM00063		W	31-51-11	D00907	1		N2	1		

286T0045-0AL
Wire Bundle Assembly
Figure 136 (Sheet 19)

25-71-02

WIRE NUMBER	WIRE		FROM EQUIPMENT			TO EQUIPMENT		WIRE INFO					
	GA	TYP	NUMBER	TERM	TT	WDM REF	NUMBER	TERM	TT	EMC/SEP	FT	NOTE	EFFECTIVITY
806	24	PV	SM00062		W	31-51-11	D00907	27		N2	1		
806Z			D00907	REF		31-51-11	SM00062	REF		N2			
807	24	PV	SM00059		W	31-51-11	D00907	32		N2	1		
807Z			D00907	REF		31-51-11	SM00059	REF		N2			
808	24	PV	D00811	53		31-51-11	D00907	17		N2	3		
808Z			D00811	DED		31-51-11	D00907	REF		N2			
809	22	PA	GDX0006	D..	2	31-51-11	D00907	14		N2	2		
810	22	PA	GDX0006	D..	2	31-51-12	D00907	15		N2	2		
811	24	PK	SM00076		W	31-51-12	D00907	47		N2	1		
812	24	PV	SM00072		W	31-51-12	D00907	30		N2	1		
812Z			SM00072	REF		31-51-12	D00907	REF		N2			
813	24	PV	SM00064		W	31-51-12	D00907	33		N2	1		
813Z			D00907	REF		31-51-12	SM00064	REF		N2			
814	24	PV	D00813	53		31-51-12	D00907	24		N2	3		
814Z			D00813	DED		31-51-12	D00907	REF		N2			
815	24	PK	D01487	20		31-51-31	SM00013		W	N2	1		
816	24	PK	D00817	20		31-51-32	SM00013		W	N2	1		
817	24	PK	D00823	55		27-32-12	D11553	6		N2	2		
818	24	PK	D00823	21		27-32-12	D11553	4		N2	2		
819	24	PK	D00823	51		27-32-12	D11553	3		N2	2		
820	24	PK	D00823	50		27-32-12	D11553	2		N2	2		
821	24	PK	D00823	49		27-32-12	D11553	7		N2	2		
822	24	PK	D00823	47		27-32-12	D11553	8		N2	2		
823	24	PK	D00823	46		27-32-12	D11553	9		N2	2		
824	24	PK	D00823	53		27-32-12	D11553	5		N2	2		
825	24	PK	D00823	62		27-32-12	D11553	24		N2	2		
826	24	PK	D01381	55		27-32-22	D11553	16		N2	2		
827	24	PK	D01381	21		27-32-22	D11553	14		N2	2		
828	24	PK	D01381	51		27-32-22	D11553	13		N2	2		
829	24	PK	D01381	50		27-32-22	D11553	12		N2	2		
830	24	PK	D01381	49		27-32-22	D11553	17		N2	2		
831	24	PK	D01381	47		27-32-22	D11553	18		N2	2		

286T0045-0AL
Wire Bundle Assembly
Figure 136 (Sheet 20)

25-71-02



BOEING
COMPONENT
MAINTENANCE MANUAL

WIRE		FROM EQUIPMENT			TO EQUIPMENT			WIRE INFO					
NUMBER	GA	TYP	NUMBER	TERM	TT	WDM REF	NUMBER	TERM	TT	EMC/SEP	FT	NOTE	EFFECTIVITY
832	24	PK	D01381	46		27-32-22	D11553	19		N2	2		
833	24	PK	D01381	53		27-32-22	D11553	15		N2	2		
834	24	PK	D01381	62		27-32-22	D11553	34		N2	2		
835	24	PK	D04349J	50		27-32-21	D01381	64		N2	2		
836	20	PA	D04349J	53		27-32-21	GDX0002	S..	2	N2	2		
837	24	PK	D00823	42		27-32-12	SM00082		W	N2	1		
838	24	PK	D01381	42		27-32-22	SM00085		W	N2	1		
844	24	PK	D00823	7		27-32-12	SM00082		W	N2	1		
845	24	PK	D01381	7		27-32-22	SM00085		W	N2	1		
862	22	PA	D02261	30		31-41-35	GDX0006	S..	2	N2	1		
863	22	PA	D02261	32		31-41-35	GDX0006	S..	2	N2	1		
864	22	PA	D02261	33		31-41-35	GDX0006	S..	2	N2	1		
865	22	PA	D02261	64		31-41-35	GDX0006	S..	2	N2	1		
866	24	PV	D02261	27		31-51-11	SM00018		W	N2	1		
866Z			D02261	DED		31-51-11	SM00018	REF		N2	1		
867	24	PV	D02261	28		31-51-11	SM00047		W	N2	1		
867Z			D02261	DED		31-51-11	SM00047	REF		N2	1		
868	24	PV	D02261	29		31-51-12	SM00054		W	N2	1		
868Z			D02261	DED		31-51-12	SM00054	REF		N2	1		
869	24	PK	D02261	34		31-51-12	SM00054		W	N2	1		
870	22	PA	D02261	56		31-51-12	SM00025		2	N2	2		
871	22	PA	D02261	57		31-51-12	GDX0001	S..	2	N2	2		
872	22	PA	D02261	59		31-51-12	GDX0003	S..	2	N2	2		
873	24	PV	D02261	60		31-51-11	GDX0005	S..	2	N2	1		
873Z			D02261	DED		31-51-12	SM00055		W	N2	1		
874	24	PV	D02261	62		31-51-12	SM00055	REF		N2	1		
874Z			D02261	DED		31-51-11	SM00049	REF		N2	1		
875	24	PV	D02261	63		31-51-11	SM00049		W	N2	1		
875Z			D02261	DED		31-51-12	SM00056	REF		N2	1		
876	24	PK	D02261	65		31-51-12	SM00056		W	N2	1		
877	24	PV	D00811	14		31-51-11	SM00022		W	N2	2		
877Z			D00811	DED		31-51-11	SM00018	REF		N2	2		

286T0045-0AL
Wire Bundle Assembly
Figure 136 (Sheet 21)

25-71-02

WIRE			FROM EQUIPMENT			TO EQUIPMENT			WIRE INFO				
NUMBER	GA	TYP	NUMBER	TERM	TT	WDM REF	NUMBER	TERM	TT	EMC/SEP	FT	NOTE	EFFECTIVITY
878	24	PV	D00811	48		31-51-11	SM00047		W	N2	2		
878Z			D00811	DED		31-51-11	SM00047	REF		N2			
879	24	PV	D00811	23		31-51-11	SM00049		W	N2	2		
879Z			D00811	DED		31-51-11	SM00049	REF		N2			
880	24	PV	D00813	14		31-51-12	SM00054		W	N2	2		
880Z			D00813	DED		31-51-12	SM00054	REF		N2			
881	24	PV	D00813	48		31-51-12	SM00055		W	N2	2		
881Z			D00813	DED		31-51-12	SM00055	REF		N2			
882	24	PV	D00813	23		31-51-12	SM00056		W	N2	2		
882Z			D00813	DED		31-51-12	SM00056	REF		N2			
883	22	PA	D02261	15		38-32-11	D04349J	26		N2	2		
884	22	PA	D02261	47		38-32-11	D04347J	27		N2	2		
885	24	PK	D04303J	9		31-51-21	SM00057		W	N2	1		
886	24	PK	D04507J	3		31-51-21	SM00058		W	N2	1		
887	24	PK	D04507J	1		31-51-21	SM00058		W	N2	1		
888	24	PK	SM00057		W	31-51-21	D04349J	44		N2	1		
889	24	PK	D04301J	19		34-35-11	D02261	12		N2	2		
890	24	PK	D04301J	20		34-35-11	D02261	45		N2	2		
891	24	PV	SM00059		W	31-51-11	D00811	76		N2	2		
891Z			SM00059	REF		31-51-11	D00811	DED		N2			
892	24	PV	SM00062		W	31-51-11	D00811	62		N2	2		
892Z			SM00062	REF		31-51-11	D00811	DED		N2			
893	24	PK	SM00063		W	31-51-11	D00811	66		N2	2		
894	24	PV	SM00064		W	31-51-12	D00813	76		N2	2		
894Z			SM00064	REF		31-51-12	D00813	DED		N2			
895	24	PV	SM00072		W	31-51-12	D00813	62		N2	2		
895Z			SM00072	REF		31-51-12	D00813	DED		N2			
896	24	PK	SM00076		W	31-51-12	D00813	66		N2	2		
897	20	UA	D00907	REF		31-51-12	GDX0006	S..	2	N2	2		
898	20	UA	D00907	REF		31-51-11	GDX0006	S..	2	N2	2		
899	24	PK	D01739	11		31-51-35	SM00039		W	N2	1		

286T0045-OAL
Wire Bundle Assembly
Figure 136 (Sheet 22)

25-71-02



BOEING
COMPONENT
MAINTENANCE MANUAL

WIRE			FROM EQUIPMENT				TO EQUIPMENT				WIRE INFO			
NUMBER	GA	TYP	NUMBER	TERM	TT	WDM REF	NUMBER	TERM	TT	MC/SE	FT	NOTE	EFFECTIVITY	
FRA			M01103			31-51-12	M01103	GND	D	N2				
FRB			D00813			31-51-12	D00813	59		N2				
FRC			M01102			31-51-11	M01102	GND	D	N2				
FRD			D00811			31-51-11	D00811	59		N2				
FRG			D04349J	58		31-41-35	D04349J			N2				
FRH			D04349J	61		28-41-11	D04349J			N2				
PA1			D00815	47		99-99-99	D00815	63		N2		DAW-B2		
PA2			D00817	8		99-99-99	D00817	57		N2		DAW-B2		
PA3			D00819	41		99-99-99	D00819	55		N2		DAW-B2		
PA4			D00821	43		99-99-99	D00821	60		N2		DAW-B2		
PA5			D00823	52		99-99-99	D00823	65		N2		DAW-B2		
PA6			D01433	44		99-99-99	D01433	61		N2		DAW-B2		
PA7			D01381	52		99-99-99	D01381	65		N2		DAW-B2		
PA8			D01487	8		99-99-99	D01487	57		N2		DAW-B2		
PA9			D01489	56		99-99-99	D01489	65		N2		DAW-B2		
PB4			D02261	54		99-99-99	D02261	61		N2		DAW-B2		
P01		E	D11553							N2				
1	2	A	D00811	60		31-51-11	GDX0001	S..	2	N2	3	UAE-F2		
2	2	A	D00821	14		31-51-11	GDX0002	D..	2	N2	2			
3	4	V	D00811	26		31-51-11	D00821	27		N2	3			
003Z			D00811	DED		31-51-11	D00821			N2				
4	4	V	D00811	49		31-51-11	D00821	32		N2	3			
004Z			D00811	DED		31-51-11	D00821			N2				
5	4	V	D00811	35		31-51-11	D00821	17		N2	3			
005Z			D00811	DED		31-51-11	D00821			N2				
6	4	K	SM00022		W	31-51-11	D00821	51		N2	1			
7	4	K	D00811	65		31-51-11	SM00022		W	N2	2			
8	4	K	D00819	37		31-51-11	SM00022		W	N2	1			
9	4	V	D00819	27		31-51-11	D00811	13		N2	3			
009Z			D00811	DED		31-51-11	D00819			N2				
10	2	A	D00819	14		31-51-11	GDX0001	D..	2	N2	2			
11	4	K	D01433	51		31-51-11	SM00022		W	N2	1			

286T0045-OAP
Wire Bundle Assembly
Figure 137 (Sheet 1)

25-71-02

WIRE			FROM EQUIPMENT				TO EQUIPMENT				WIRE INFO			
NUMBER	GA	TYP	NUMBER	TERM	TT	WDM REF	NUMBER	TERM	TT	MC/SE	FT	NOTE	EFFECTIVITY	
12	4	V	SM00018		W	31-51-11	D01433	27		N2	1			
012Z			SM00018	REF		31-51-11	D01433			N2				
13	4	V	SM00047		W	31-51-11	D01433	32		N2	1			
013Z			SM00047	REF		31-51-11	D01433			N2				
14	4	V	SM00049		W	31-51-11	D01433	17		N2	1			
014Z			SM00049	REF		31-51-11	D01433			N2				
15	2	A	D01433	14	W	31-51-11	GDX0001	D..	2	N2	2			
16	0	A	SM00028			31-51-11	GDX0005	D..	2	N2	2			
17	0	A	GDX0002	S..	2	31-51-11	D00821			N2	2			
18	0	A	GDX0005	S..	2	31-51-11	D00819			N2	2			
19	0	A	D01433			31-51-11	GDX0002	S..	2	N2	2			
20	0	A	GDX0005	D..	2	31-51-11	SM00029		W	N2	2			
21	0	A	GDX0002	S..	2	31-51-11	D01503			N2	2			
23	0	A	D00815			31-51-11	GDX0002	S..	2	N2	2			
24	4	K	D04349J	38		31-51-11	SM00005		W	N2	1			
25	4	K	D01503	A2		31-51-11	SM00005		W	N2	1			
26	0	A	D01503	A3		31-51-11	GDX0003	D..	2	N2	2			
27	2	Q	D01503	X2		31-51-11	D00811	75		N2	4			
027Z			D00811	DED		31-51-11	D01503			N2	1			
28	4	V	D01503	X1		31-51-11	SM00015		W	N2	2			
038Z			SM00015	REF		31-51-11	D01503			N2	2			
29	4	V	D00811	46		31-51-11	SM00015		W	N2	2			
039Z			SM00015	REF		31-51-11	D00811	DED		N2	2			
30	4	K	SM00015		W	31-51-11	D11553	35		N2	1			
32	0	A	D11553	11		31-51-11	GDX0003	D..	2	N2	2			
33	4	K	D11553	37		31-51-11	D00811	34		N2	4			
34	4	K	D11553	36		31-51-11	D00811	33		N2	4			
35	2	A	D00815	14		31-51-11	GDX0001	D..	2	N2	2			
36	4	V	D00815	27		31-51-11	D00811	12		N2	3			
036Z			D00811	DED		31-51-11	D00815			N2	2			
37	4	V	D00815	32		31-51-11	D00811	17		N2	3			
037Z			D00811	DED		31-51-11	D00815			N2	3			

286T0045-OAP
Wire Bundle Assembly
Figure 137 (Sheet 2)

25-71-02



BOEING
COMPONENT
MAINTENANCE MANUAL

WIRE			FROM EQUIPMENT				TO EQUIPMENT				WIRE INFO			
NUMBER	GA	TYP	NUMBER	TERM	TT	WDM REF	NUMBER	TERM	TT	MC/SE	FT	NOTE	EFFECTIVITY	
38	4	V	D00815	17		31-51-11	D00811	22		N2	3			
038Z			D00811	DED		31-51-11	D00815			N2				
39	4	K	D00815	54		31-51-11	SM00020		W	N2	1			
40	4	K	D00811	63		31-51-11	SM00020		W	N2	2			
41	4	K	D00823	35		31-51-11	SM00020		W	N2	1			
42	4	K	D01381	35		31-51-11	SM00020		W	N2	1			
45	2	A	D01381	14		31-51-11	GDX0001	D..	2	N2	2			
46	2	A	D01381	48		31-51-11	GDX0003	D..	2	N2	2			
47	4	V	D01381	27		31-51-11	D00811	11		N2	3			
047Z			D00811	DED		31-51-11	D01381			N2				
48	4	V	D01381	32		31-51-11	D00811	16		N2	3			
048Z			D00811	DED		31-51-11	D01381			N2				
49	4	V	D01381	17		31-51-11	D00811	21		N2	3			
049Z			D00811	DED		31-51-11	D01381			N2				
52	2	A	D00823	14		31-51-11	GDX0001	D..	2	N2	2			
53	2	A	D00823	48		31-51-11	GDX0003	D..	2	N2	2			
54	4	V	D00823	27		31-51-11	D00811	10		N2	3			
054Z			D00811	DED		31-51-11	D00823			N2				
55	4	V	D00823	32		31-51-11	D00811	15		N2	3			
055Z			D00811	DED		31-51-11	D00823			N2				
56	4	V	D00823	17		31-51-11	D00811	20		N2	3			
056Z			D00811	DED		31-51-11	D00823			N2				
57	2	A	D00817	14		31-51-11	GDX0002	D..	2	N2	2			
58	4	V	D00817	27		31-51-11	D00811	51		N2	3			
058Z			D00811	DED		31-51-11	D00817			N2				
59	4	V	D00817	32		31-51-11	D00811	74		N2	3			
059Z			D00811	DED		31-51-11	D00817			N2				
60	4	K	D00817	45		31-51-11	SM00021		W	N2	1			
61	4	K	D00811	64		31-51-11	SM00021		W	N2	2			
62	4	K	D01489	16		31-51-11	SM00021		W	N2	1			
63	4	K	D01487	45		31-51-11	SM00021		W	N2	1			
64	4	V	D01487	27		31-51-11	D00811	47		N2	3			

286T0045-OAP
Wire Bundle Assembly
Figure 137 (Sheet 3)

25-71-02

WIRE			FROM EQUIPMENT				TO EQUIPMENT				WIRE INFO			
NUMBER	GA	TYP	NUMBER	TERM	TT	WDM REF	NUMBER	TERM	TT	MC/SE	FT	NOTE	EFFECTIVITY	
064Z			D00811	DED		31-51-11	D01487			N2				
65	4	V	D01487	32		31-51-11	D00811	70		N2	3			
065Z			D00811	DED		31-51-11	D01487			N2				
66	2	A	D01487	14		31-51-11	GDX0003	D..	2	N2	2			
67	4	V	D01489	27		31-51-11	D00811	45		N2	3			
067Z			D00811	DED		31-51-11	D01489			N2				
68	4	V	D01489	32		31-51-11	D00811	50		N2	3			
068Z			D00811	DED		31-51-11	D01489			N2				
69	4	V	D01489	17		31-51-11	D00811	36		N2	3			
069Z			D00811	DED		31-51-11	D01489			N2				
70	2	A	D01489	14		31-51-11	GDX0003	D..	2	N2	2			
71	0	A	D01381			31-51-11	GDX0002	S..	2	N2	2			
72	0	A	D00823			31-51-11	GDX0002	S..	2	N2	2			
73	0	A	D00817			31-51-11	GDX0002	S..	2	N2	2			
74	0	A	SM00026		W	31-51-11	GDX0005	D..	2	N2	2			
75	0	A	D01487			31-51-11	GDX0005	S..	2	N2	2			
76	0	A	GDX0005	S..	2	31-51-11	D01489			N2	2			
77	4	K	D02261	40		31-41-35	D04349J	1		N2	2			
78	0	A	SM00027		W	31-51-11	GDX0005	D..	2	N2	2			
79	2	A	D00813	60		31-51-12	GDX0003	S..	2	N2	3	UAE-F2		
80	2	A	D00821	15		31-51-12	GDX0002	D..	2	N2	2			
81	4	V	D00821	30		31-51-12	D00813	26		N2	3			
081Z			D00813	DED		31-51-12	D00821			N2				
82	4	V	D00821	33		31-51-12	D00813	49		N2	3			
082Z			D00813	DED		31-51-12	D00821			N2				
83	4	V	D00821	24		31-51-12	D00813	35		N2	3			
083Z			D00813	DED		31-51-12	D00821			N2				
84	4	K	D00821	19		31-51-12	SM00025		W	N2	1			
85	4	K	D00813	65		31-51-12	SM00025		W	N2	2			
86	4	K	D00819	3		31-51-12	SM00025		W	N2	1			
87	4	K	D01433	18		31-51-12	SM00025		W	N2	1			
88	2	A	D01433	15		31-51-12	GDX0002	D..	2	N2	2			

286T0045-OAP
Wire Bundle Assembly
Figure 137 (Sheet 4)

25-71-02



BOEING
COMPONENT
MAINTENANCE MANUAL

WIRE			FROM EQUIPMENT				TO EQUIPMENT				WIRE INFO			
NUMBER	GA	TYP	NUMBER	TERM	TT	WDM REF	NUMBER	TERM	TT	MC/SE	FT	NOTE	EFFECTIVITY	
89	4	V	D01433	30		31-51-12	SM00054		W	N2	1			
089Z			SM00054	REF		31-51-12	D01433			N2				
90	4	V	D01433	33		31-51-12	SM00055		W	N2	1			
090Z			SM00055	REF		31-51-12	D01433			N2				
91	4	V	D01433	24		31-51-12	SM00056		W	N2	1			
091Z			SM00056	REF		31-51-12	D01433			N2				
92	2	A	D00819	15		31-51-12	GDX0002	D..	2	N2	2			
93	4	V	D00819	30		31-51-12	D00813	13		N2	3			
093Z			D00813	DED		31-51-12	D00819			N2				
94	0	A	SM00032		W	31-51-12	GDX0005	D..	2	N2				
95	4	V	D01505	X2		31-51-12	D00813	75		N2	3			
095Z			D00813	DED		31-51-12	D01505			N2				
96	4	V	D01505	X1		31-51-12	SM00016		W	N2	1			
096Z			SM00016	REF		31-51-12	D01505			N2				
97	4	V	D00813	46		31-51-12	SM00016		W	N2	2			
097Z			SM00016	REF		31-51-12	D00813	DED		N2				
98	0	A	SM00033		W	31-51-12	GDX0005	D..	2	N2				
99	4	K	SM00016		W	31-51-12	D11553	25		N2	1			
10A	4	K	D01489	21		31-51-33	D04349J	23		N2	2			
100	0	A	D11553	1		31-51-12	GDX0003	D..	2	N2	2			
101	0	A	D00821			31-51-12	GDX0004	S..	2	N2	2			
102	0	A	D00819			31-51-12	GDX0004	S..	2	N2	2			
103	0	A	D01433			31-51-12	GDX0004	S..	2	N2	2			
104	0	A	D01505			31-51-12	GDX0005	S..	2	N2	2			
106	0	A	D00815			31-51-12	GDX0004	S..	2	N2	2			
107	0	A	D01381			31-51-12	GDX0004	S..	2	N2	2			
109	0	A	D00817			31-51-12	GDX0004	S..	2	N2	2			
110	0	A	D01487			31-51-12	GDX0001	S..	2	N2	2			
111	0	A	D01489			31-51-12	GDX0001	S..	2	N2	2			
112	2	A	D00815	15		31-51-12	GDX0001	D..	2	N2	2			
113	4	K	D01505	A2		31-51-12	SM00005		W	N2	1			
114	0	A	D01505	A3		31-51-12	GDX0003	D..	2	N2	2			

286T0045-OAP
Wire Bundle Assembly
Figure 137 (Sheet 5)

25-71-02

WIRE			FROM EQUIPMENT				TO EQUIPMENT				WIRE INFO			
NUMBER	GA	TYP	NUMBER	TERM	TT	WDM REF	NUMBER	TERM	TT	MC/SE	FT	NOTE	EFFECTIVITY	
115	4	K	D02261	21		21-61-51	D04347J	25		N2	2			
116	4	K	D00815	21		31-51-12	SM00023		W	N2	1			
117	4	K	D00813	63		31-51-12	SM00023		W	N2	2			
118	4	K	D00823	1		31-51-12	SM00023		W	N2	1			
119	4	K	D01381	1		31-51-12	SM00023		W	N2	1			
120	2	A	D01381	15		31-51-12	GDX0001	D..	2	N2	2			
121	4	K	D00817	56		31-51-12	SM00024		W	N2	1			
122	4	K	D00813	64		31-51-12	SM00024		W	N2	2			
123	4	K	D01487	56		31-51-12	SM00024		W	N2	1			
124	2	A	D00823	15		31-51-12	GDX0001	D..	2	N2	2			
125	0	A	D00823			31-51-12	GDX0004	S..	2	N2	2			
126	4	V	D00823	33		31-51-12	D00813	15		N2	3			
126Z			D00823			31-51-12	D00813	DED		N2				
127	4	V	D00823	24		31-51-12	D00813	20		N2	3			
127Z			D00823			31-51-12	D00813	DED		N2				
128	2	A	D00817	15		31-51-12	GDX0002	D..	2	N2	2			
129	4	V	D00817	30		31-51-12	D00813	51		N2	3			
129Z			D00817			31-51-12	D00813	DED		N2				
130	4	V	D00817	33		31-51-12	D00813	74		N2	3			
130Z			D00817			31-51-12	D00813	DED		N2				
131	4	V	D00813	11		31-51-12	D01381	30		N2	3			
131Z			D01381			31-51-12	D00813	DED		N2				
132	4	V	D00813	16		31-51-12	D01381	33		N2	3			
132Z			D01381			31-51-12	D00813	DED		N2				
133	4	V	D01381	24		31-51-12	D00813	21		N2	3			
133Z			D01381			31-51-12	D00813	DED		N2				
134	4	K	D01489	50		31-51-12	SM00024		W	N2	1			
135	4	V	D01487	30		31-51-12	D00813	47		N2	3			
135Z			D01487			31-51-12	D00813	DED		N2				
136	4	V	D01487	33		31-51-12	D00813	70		N2	3			
136Z			D01487			31-51-12	D00813	DED		N2				
137	2	A	D01487	15		31-51-12	GDX0003	D..	2	N2	2			

 286T0045-OAP
 Wire Bundle Assembly
 Figure 137 (Sheet 6)

25-71-02



BOEING
COMPONENT
MAINTENANCE MANUAL

WIRE			FROM EQUIPMENT				TO EQUIPMENT				WIRE INFO			
NUMBER	GA	TYP	NUMBER	TERM	TT	WDM REF	NUMBER	TERM	TT	MC/SE	FT	NOTE	EFFECTIVITY	
138	4	V	D01489	30		31-51-12	D00813	45		N2	3			
138Z			D01489			31-51-12	D00813	DED		N2				
139	4	V	D01489	33		31-51-12	D00813	50		N2	3			
139Z			D01489			31-51-12	D00813	DED		N2				
140	4	V	D01489	24		31-51-12	D00813	36		N2	3			
140Z			D01489			31-51-12	D00813	DED		N2				
141	2	A	D01489	15		31-51-12	GDX0003	D..	2	N2	2			
142	4	K	D00813	33		31-51-12	D11553	26		N2	3			
143	4	K	D11553	27		31-51-12	D00813	34		N2	3			
144	4	V	D00813	12		31-51-12	D00815	30		N2	3			
144Z			D00813	DED		31-51-12	D00815			N2				
145	0	A	SM00030		W	31-51-12	GDX0005	D..	2	N2				
146	4	V	D00813	17		31-51-12	D00815	33		N2	3			
146Z			D00813	DED		31-51-12	D00815			N2				
147	4	V	D00813	22		31-51-12	D00815	24		N2	3			
147Z			D00813	DED		31-51-12	D00815			N2				
148	4	V	D00813	10		31-51-12	D00823	30		N2	3			
148Z			D00813	DED		31-51-12	D00823			N2				
149	0	A	SM00031		W	31-51-12	GDX0005	D..	2	N2				
150	2	A	D04301J	6		27-32-11	D00823	34		N2	2			
151	4	K	D04509J	1		27-32-11	D00823	39		N2	2			
152	4	K	D04347J	26		27-32-11	D00823	40		N2	2			
153	4	K	D00823	31		27-32-11	D04509J	6		N2	2			
154	0	A	D04509J	7		27-32-11	GDX0001	D..	2	N2	2			
155	4	K	SM00037		W	27-32-11	D04511J	3		N2	1			
156	4	K	D00823	38		27-32-11	D04511J	2		N2	2			
157	4	K	D04511J	4		27-32-11	SM00050		W	N2	1			
158	4	K	SM00037		W	27-32-11	D00823	4		N2	1			
159	4	K	D04349J	14		27-32-11	D00823	36		N2	1			
160	4	K	D04349J	15		27-32-11	D00823	3		N2	1			
161	4	K	D04349J	16		27-32-11	D00823	43		N2	1			
162	4	K	D04349J	10		27-32-11	D00823	2		N2	1			

286T0045-OAP
Wire Bundle Assembly
Figure 137 (Sheet 7)

25-71-02

WIRE			FROM EQUIPMENT				TO EQUIPMENT				WIRE INFO			
NUMBER	GA	TYP	NUMBER	TERM	TT	WDM REF	NUMBER	TERM	TT	MC/SE	FT	NOTE	EFFECTIVITY	
165	2	A	D04349J	11		27-32-21	D01381	34		N2	2			
166	4	K	D01381	40		27-32-21	D04349J	6		N2	2			
167	4	K	D01381	31		27-32-21	D04511J	7		N2	2			
168	0	A	GDX0002	D..	2	27-32-21	D04511J	8		N2	2			
169	4	K	D04349J	34		27-32-21	D01381	36		N2	2			
170	4	K	D04349J	35		27-32-21	D01381	3		N2	2			
171	4	K	D04349J	36		27-32-21	D01381	43		N2	2			
172	4	K	D04349J	37		27-32-21	D01381	2		N2	2			
173	4	K	D04511J	13		27-32-21	D01381	4		N2	2			
174	4	K	D04511J	16		27-32-21	D01381	37		N2	2			
175	4	K	D04511J	15		27-32-21	D01381	38		N2	2			
176	4	K	D04509J	8		27-32-21	D01381	39		N2	2			
177	4	K	D00815	34		31-51-21	SM00057		W	N2	1			
178	4	K	D00815	43		31-51-21	D01433	19		N2	2			
179	4	K	D00815	10		31-51-21	D00819	5		N2	2			
180	4	K	D04507J	5		31-51-21	SM00034	66	W	N2	1			
181	4	K	SM00058		W	31-51-21	D00815		W	N2	1			
182	4	K	D00815	4		31-51-21	SM00034		W	N2	1			
183	4	K	D00815	11		31-51-21	D04349J	39		N2	2			
184	2	A	D00815	37		31-51-21	SM00035		W	N2	1			
185	2	A	D00815	42		31-51-21	SM00036		W	N2	1			
186	4	K	D04349J	5		31-51-21	SM00012		W	N2	1			
187	4	K	D00815	2		31-51-21	SM00012		W	N2	1			
188	4	K	SM00011		W	31-51-21	SM00012	4		N2	1			
189	4	K	SM00011		W	31-51-21	D04349J	35		N2	1			
190	4	K	D04349J	12		31-51-21	D00815		W	N2	1			
191	4	K	D00815	44		31-51-21	SM00009		W	N2	1			
192	4	K	D04347J	10		31-51-21	SM00008		W	N2	1			
193	4	K	D00815	1		31-51-21	SM00008		W	N2	1			
194	4	K	D04347J	11		31-51-21	SM00010		W	N2	1			
195	4	K	D00815	36		31-51-21	SM00010		W	N2	1			
196	4	K	SM00039		W	31-51-21	D04347J	21		N2	1			

286T0045-OAP
Wire Bundle Assembly
Figure 137 (Sheet 8)

25-71-02



BOEING
COMPONENT
MAINTENANCE MANUAL

WIRE			FROM EQUIPMENT				TO EQUIPMENT				WIRE INFO			
NUMBER	GA	TYP	NUMBER	TERM	TT	WDM REF	NUMBER	TERM	TT	MC/SE	FT	NOTE	EFFECTIVITY	
197	4	K	D00815	45		31-51-21	SM00039		W	N2	1			
198	4	K	D00815	46		31-51-21	D04347J	6		N2	2			
199	0	A	GDX0004	S..	2	31-51-31	D04597J	14		N2	2			
201B	4	W	D01489	43		31-51-33	SM00004		W	N2	1			
201R	4	W	D01489	9		31-51-33	SM00003		W	N2				
201Z			D01489	DED		31-51-33	SM00003	REF		N2				
204	0	A	D04507J			27-32-11	GDX0004	S..	2	N2	2			
204B	4	W	D00823	18		27-32-11	D04507J	12		N2	1			
204R	4	W	D00823	16		27-32-11	D04507J	11		N2				
204Z			D04507J			27-32-11	D00823	DED		N2				
205B	4	W	D00815	19		31-51-21	SM00007		W	N2	1			
205R	4	W	D00815	52		31-51-21	SM00006		W	N2				
205Z			D00815	DED		31-51-21	SM00006	REF		N2				
207	0	A	D04597J			31-51-21	GDX0004	S..	2	N2	2			
207B	4	W	SM00007		W	31-51-21	D04597J	4		N2	1			
207R	4	W	SM00006		W	31-51-21	D04597J	3		N2				
207Z			SM00006	REF		31-51-21	D04597J			N2				
208	0	A	D04301J			34-16-11	GDX0002	S..	2	N2	2			
208B	4	W	D00821	36		34-16-11	D04301J	9		N2	2			
208R	4	W	D00821	2		34-16-11	D04301J	8		N2				
208Z			D00821	DED		34-16-11	D04301J			N2				
209B	4	W	D01489	46		31-51-33	SM00007		W	N2	1			
209R	4	W	D01489	12		31-51-33	SM00006		W	N2				
209Z			D01489	DED		31-51-33	SM00006	REF		N2				
212B	4	W	D01433	36		31-51-42	SM00007		W	N2	1			
212R	4	W	D01433	2		31-51-42	SM00006		W	N2				
212Z			D01433	DED		31-51-42	SM00006	REF		N2				
213	0	A	D04507J			34-16-11	GDX0004	S..	2	N2	2			
213B	4	W	D00821	35		34-16-11	D04507J	8		N2	2			
213R	4	W	D00821	1		34-16-11	D04507J	9		N2				
213Z			D00821	DED		34-16-11	D04507J			N2				
214	0	A	D04349J			34-16-11	GDX0004	S..	2	N2	2			

286T0045-OAP
Wire Bundle Assembly
Figure 137 (Sheet 9)

25-71-02

WIRE			FROM EQUIPMENT				TO EQUIPMENT				WIRE INFO			
NUMBER	GA	TYP	NUMBER	TERM	TT	WDM REF	NUMBER	TERM	TT	MC/SE	FT	NOTE	EFFECTIVITY	
214B	4	W	D00821	37		34-16-11	D04349J	19		N2	2			
214R	4	W	D00821	3		34-16-11	D04349J	18		N2				
214Z			D00821	DED		34-16-11	D04349J			N2				
215B	4	L	D01487	24		31-51-31	D04597J	12		N2	2			
215R	4	L	D01487	23		31-51-31	D04597J	13		N2				
216B	4	L	D00817	24		31-51-32	D04303J	12		N2	2			
216R	4	L	D00817	23		31-51-32	D04303J	11		N2				
221B	4	W	D01489	45		31-51-33	SM00004		W	N2	1			
221R	4	W	D01489	11		31-51-33	SM00003		W	N2				
221Z			D01489	DED		31-51-33	SM00003	REF		N2	1			
223B	4	W	D00821	38		34-16-11	SM00004		W	N2				
223R	4	W	D00821	4		34-16-11	SM00003		W	N2				
223Z			D00821	DED		34-16-11	SM00003	REF		N2				
224	0	A	D04349J			27-32-21	GDX0004	S..	2	N2	2			
224B	4	W	D04349J	28		27-32-21	D01381	18		N2	2			
224R	4	W	D04349J	27		27-32-21	D01381	16		N2				
224Z			D04349J			27-32-21	D01381	DED		N2				
225B	2	R	D00811	69		31-51-11	SM00060		W	N2	2			
225R	2	R	D00811	68		31-51-11	SM00060		W	N2				
225Z			D00811	DED		31-51-11	SM00028	REF		N2				
226B	2	R	D00813	69		31-51-12	SM00061		W	N2	2			
226R	2	R	D00813	68		31-51-12	SM00061		W	N2				
226Z			D00813	DED		31-51-12	SM00030	REF		N2				
230	0	A	D04347J			31-51-33	GDX0003	S..	2	N2	2			
230B	4	W	D04347J	18		31-51-33	SM00004		W	N2	1			
230R	4	W	D04347J	17		31-51-33	SM00003		W	N2				
230Z			D04347J			31-51-33	SM00003	REF		N2				
236	0	A	D04347J			27-32-11	GDX0001	S..	2	N2	2			
236B	4	W	D04347J	37		27-32-11	D00823	54		N2	2			
236R	4	W	D04347J	36		27-32-11	D00823	23		N2				
236Z			D04347J			27-32-11	D00823	DED		N2				
237B	4	W	D04347J	40		27-32-11	D00823	13		N2	2			

286T0045-OAP
Wire Bundle Assembly
Figure 137 (Sheet 10)

25-71-02



BOEING
COMPONENT
MAINTENANCE MANUAL

WIRE			FROM EQUIPMENT				TO EQUIPMENT				WIRE INFO			
NUMBER	GA	TYP	NUMBER	TERM	TT	WDM REF	NUMBER	TERM	TT	MC/SE	FT	NOTE	EFFECTIVITY	
237R	4	W	D04347J	39		27-32-11	D00823	12		N2				
237Z			D04347J			27-32-11	D00823	DED		N2				
238	0	A	D04349J			27-32-21	GDX0001	S..	2	N2	2			
238B	4	W	D04349J	49		27-32-21	D01381	54		N2	2			
238R	4	W	D04349J	48		27-32-21	D01381	23		N2				
238Z			D04349J			27-32-21	D01381	DED		N2				
239B	4	W	D01381	20		27-32-21	D04349J	55		N2	2			
239R	4	W	D01381	19		27-32-21	D04349J	54		N2				
239Z			D01381	DED		27-32-21	D04349J			N2				
240B	4	L	D04347J	23		31-51-31	SM00080		W	N2	1			
240R	4	L	D04347J	22		31-51-31	SM00042		W	N2				
241B	4	L	D01487	60		31-51-31	SM00080		W	N2	1			
241R	4	L	D01487	28		31-51-31	SM00042		W	N2				
242B	4	L	D00817	60		31-51-32	SM00080		W	N2	1			
242R	4	L	D00817	28		31-51-32	SM00042		W	N2				
243B	4	W	D04349J	52		27-32-21	D01381	13		N2	2			
243R	4	W	D04349J	51		27-32-21	D01381	12		N2				
243Z			D04349J			27-32-21	D01381	DED		N2				
245B	4	W	D00823	20		27-32-11	D04347J	48		N2	2			
245R	4	W	D00823	19		27-32-11	D04347J	47		N2				
245Z			D00823	DED		27-32-11	D04347J			N2				
247	0	A	D04349J			31-41-35	GDX0006	S..	2	N2	2			
247B	4	W	D02261	42		31-41-35	D04349J	57		N2	2			
247R	4	W	D02261	43		31-41-35	D04349J	56		N2				
247Z			D02261	DED		31-41-35	D04349J			N2				
248	0	A	D04349J			28-41-11	GDX0006	S..	2	N2	2			
248B	4	W	D02261	5		28-41-11	D04349J	60		N2	2			
248R	4	W	D02261	8		28-41-11	D04349J	59		N2				
248Z			D02261	DED		28-41-11	D04349J			N2				
271B	4	L	D04597J	5		31-51-31	SM00088		W	N2	1			
271R	4	L	D04597J	2		31-51-31	SM00087		W	N2				
272B	4	L	D01487	63		31-51-31	SM00088		W	N2	1			

286T0045-OAP
Wire Bundle Assembly
Figure 137 (Sheet 11)

25-71-02

WIRE			FROM EQUIPMENT				TO EQUIPMENT				WIRE INFO			
NUMBER	GA	TYP	NUMBER	TERM	TT	WDM REF	NUMBER	TERM	TT	MC/SE	FT	NOTE	EFFECTIVITY	
272R	4	L	D01487	62		31-51-31	SM00087		W	N2				
273B	4	L	D00817	63		31-51-32	SM00088		W	N2	1			
273R	4	L	D00817	62		31-51-32	SM00087		W	N2				
290B	4	W	D04597J	8		34-43-15	SM00104		W	N2	1			
290R	4	W	D04597J	7		34-43-15	SM00103	REF	W	N2				
290Z			D04597J	9		34-43-15	SM00103		W	N2	1			
291B	4	W	D04303J	4		34-43-15	SM00104		W	N2				
291R	4	W	D04303J	3		34-43-15	SM00103		W	N2				
291Z			D04303J	5		34-43-15	SM00103	REF	W	N2	1			
292B	4	W	D04347J	53		34-43-15	SM00104		W	N2				
292R	4	W	D04347J	51		34-43-15	SM00103		W	N2				
292Z			D04347J	61		34-43-15	SM00103	REF	W	N2	1			
301	0	A	SM00028	REF		31-51-11	GDX0005	S..	2	N2	1			
301B	2	S	D00811	57		31-51-11	SM00028		W	N2	2			
301R	2	S	D00811	38		31-51-11	SM00028		W	N2				
301Y	2	S	D00811	58		31-51-11	SM00028		W	N2				
301Z			D00811	DED		31-51-11	SM00028	REF	W	N2	2			
302B	2	S	D00811	42		31-51-11	SM00029		W	N2				
302R	2	S	D00811	41		31-51-11	SM00029		W	N2				
302Y	2	S	D00811	43		31-51-11	SM00029		W	N2				
302Z			D00811	DED		31-51-11	SM00028	REF	W	N2	2			
303B	2	S	D00811	8		31-51-11	SM00026		W	N2				
303R	2	S	D00811	7		31-51-11	SM00026		W	N2				
303Y	2	S	D00811	9		31-51-11	SM00026		W	N2				
303Z			D00811	DED		31-51-11	SM00028	REF	W	N2	2			
304B	2	S	D00811	25		31-51-11	SM00027		W	N2				
304R	2	S	D00811	24		31-51-11	SM00027		W	N2				
304Y	2	S	D00811	37		31-51-11	SM00027		W	N2				
304Z			D00811	DED		31-51-11	SM00028	REF	W	N2	2			
305	0	A	SM00030	REF		31-51-12	GDX0005	S..	2	N2	1			
305B	2	S	D00813	8		31-51-12	SM00030		W	N2	2			
305R	2	S	D00813	7		31-51-12	SM00030		W	N2				

286T0045-OAP
Wire Bundle Assembly
Figure 137 (Sheet 12)

25-71-02



BOEING
COMPONENT
MAINTENANCE MANUAL

WIRE			FROM EQUIPMENT				TO EQUIPMENT				WIRE INFO			
NUMBER	GA	TYP	NUMBER	TERM	TT	WDM REF	NUMBER	TERM	TT	MC/SE	FT	NOTE	EFFECTIVITY	
305Y	2	S	D00813	9		31-51-12	SM00030		W	N2				
305Z		DED	D00813			31-51-12	SM00030	REF		N2				
306B	2	S	D00813	25		31-51-12	SM00031		W	N2	2			
306R	2	S	D00813	24		31-51-12	SM00031		W	N2				
306Y	2	S	D00813	37		31-51-12	SM00031		W	N2				
306Z		DED	D00813			31-51-12	SM00030	REF		N2				
307B	2	S	D00813	57		31-51-12	SM00032		W	N2	2			
307R	2	S	D00813	38		31-51-12	SM00032		W	N2				
307Y	2	S	D00813	58		31-51-12	SM00032		W	N2				
307Z		DED	D00813			31-51-12	SM00030	REF		N2				
308B	2	S	D00813	42		31-51-12	SM00033		W	N2	2			
308R	2	S	D00813	41		31-51-12	SM00033		W	N2				
308Y	2	S	D00813	43		31-51-12	SM00033		W	N2				
308Z		DED	D00813			31-51-12	SM00030	REF		N2				
512	4	K	D02261	20	W	27-81-31	D04349J	8		N2	2			
601	0	A	SM00060		W	31-51-11	GDX0004	D..	2	N2				
602	0	A	SM00061		W	31-51-12	GDX0005	D..	2	N2				
603	4	V	D04301J	5		31-51-12	M01103	INE	D	N2	1			
603Z		DED	D04301J			31-51-12	M01103			N2				
604	4	V	D04301J	4		31-51-12	D00813	4		N2	3			
604Z		DED	D04301J			31-51-12	D00813			N2				
605	4	V	D00813	1		31-51-12	M01103	OAD	D	N2	3			
605Z		DED	D00813			31-51-12	M01103	DED		N2				
606	4	V	D04349J	32		31-51-11	M01102	INE	D	N2	1			
606Z		DED	D04349J			31-51-11	M01102			N2				
607	4	V	D04349J	33		31-51-11	D00811	4		N2	3			
607Z		DED	D04349J			31-51-11	D00811			N2				
608	4	V	D00811	1		31-51-11	M01102	OAD	D	N2	3			
608Z		DED	D00811			31-51-11	M01102	DED		N2				
610	4	K	D00823	37		27-32-11	SM00050		W	N2	1			
611	4	K	D01433	6		31-51-42	D04347J	20		N2	2			
612	4	K	D01433	4		31-51-42	SM00050		W	N2	1			

286T0045-OAP
Wire Bundle Assembly
Figure 137 (Sheet 13)

25-71-02

WIRE			FROM EQUIPMENT				TO EQUIPMENT				WIRE INFO			
NUMBER	GA	TYP	NUMBER	TERM	TT	WDM REF	NUMBER	TERM	TT	MC/SE	FT	NOTE	EFFECTIVITY	
613	4	K	D04349J	30		31-51-31	SM00065		W	N2	1			
614	4	K	D01487	52		31-51-31	SM00065		W	N2	1			
615	4	K	D00817	52		31-51-32	SM00065		W	N2	1			
617	4	K	D01381	11		27-32-12	D00823	56		N2	1			
618	4	K	D01381	56		27-32-12	D00823	11		N2	1			
619	4	K	D00823	45		27-32-12	SM00082		W	N2	1			
620	4	K	D04349J	29		31-51-21	SM00071		W	N2	1			
621	4	K	D00815	7		31-51-21	SM00071		W	N2	1			
622	4	K	D01489	2		31-51-33	SM00071		W	N2	1			
623	4	K	D01489	36		31-51-33	SM00038		W	N2	1			
624	4	K	D00815	8		31-51-21	SM00045		W	N2	1			
625	4	K	D01487	9		31-51-31	SM00034		W	N2	1			
628	2	A	D01487	20		31-51-31	GDX0006	D..	2	N2	2			
629	2	A	D01487	53		31-51-31	GDX0006	D..	2	N2	2			
630	2	A	D01487	21		31-51-31	GDX0006	D..	2	N2	2			
631	4	K	D00817	9		31-51-32	SM00034		W	N2	1			
634	2	A	D00817	20		31-51-32	GDX0006	D..	2	N2	2			
635	2	A	D00817	53		31-51-32	GDX0006	D..	2	N2	2			
636	2	A	D00817	21		31-51-32	GDX0006	D..	2	N2	2			
644	2	Q	D00823	66		27-32-31	D04347J	42	2	N2	2			
644Z			D00823	DED		27-32-31	D04347J	DED		N2	2			
646	2	Q	D01381	66		27-32-31	D04349J	42		N2	2			
646Z			D01381	DED		27-32-31	D04349J	DED		N2	2			
681	4	K	D01433	10		31-51-43	D04507J	10		N2	2			
682	4	K	D01433	13		31-51-43	D04347J	46		N2	2			
683	2	A	D01433	41		31-51-43	SM00081			N2	1			
684	0	A	GDX0001	D..	2	31-51-43	D04349J	47	W	N2	2			
685	4	K	D00823	58		27-32-12	D01505	A1		N2	2			
686	4	K	D00823	8		27-32-11	SM00038		W	N2	1			
687	4	K	D00823	64		27-32-11	SM00081		W	N2	1			
688	4	K	D01381	58		27-32-22	D01503	A1		N2	2			
689	4	K	D01381	45		27-32-22	SM00085		W	N2	1			

286T0045-OAP
Wire Bundle Assembly
Figure 137 (Sheet 14)

25-71-02



BOEING
COMPONENT
MAINTENANCE MANUAL

WIRE			FROM EQUIPMENT				TO EQUIPMENT				WIRE INFO			
NUMBER	GA	TYP	NUMBER	TERM	TT	WDM REF	NUMBER	TERM	TT	MC/SE	FT	NOTE	EFFECTIVITY	
692	4	K	D01381	8		27-32-21	SM00038		W	N2	1			
693	4	K	D04347J	30		31-51-21	D00815	6		N2	2			
694	2	A	D04349J	46		31-51-43	SM00081		W	N2	1			
696	0	A	GDX0003	D..	2	27-32-12	SM00082		W	N2	1			
697	0	A	GDX0003	D..	2	27-32-22	SM00085		W	N2	1			
701	4	K	D00815	49		31-51-21	D00815	22		N2				
702	4	K	D00815	16		31-51-21	D00815	48		N2				
703	4	K	D00819	6		31-51-41	SM00019		W	N2	1			
704	4	K	SM00075		W	31-51-41	D04511J	14		N2	1			
705	4	K	D00819	45		31-51-41	D04511J	12		N2	2			
706	4	K	D00819	10		31-51-41	D04349J	31		N2	2			
707	4	K	D00819	21		31-51-41	D04509J	4		N2	2			
708	4	K	D00819	9		31-51-41	D04349J	7		N2	2			
709	4	K	D00819	39		31-51-41	SM00044		W	N2	1			
710	4	K	D00819	43		31-51-41	SM00037		W	N2	1			
711	4	K	D00819	12		31-51-41	D04349J	21		N2	2			
712	4	K	D00819	53		31-51-41	D04349J	3		N2	2			
713	4	K	D00819	20		31-51-41	D04347J	9		N2	2			
714	4	K	D00819	44		31-51-41	D04349J	24		N2	2			
715	4	K	D04507J	6		31-51-42	SM00019		W	N2	1			
716	4	K	D01433	34		31-51-42	SM00019		W	N2	1			
717	4	K	D01433	37		31-51-42	SM00034		W	N2	1			
718	4	K	D01433	39		31-51-42	D04509J	2		N2	2			
720	4	K	D01433	52		31-51-42	SM00040		W	N2	1			
721	4	K	D01433	38		31-51-42	D04347J	24		N2	2			
722	4	K	D01433	5		31-51-42	D04349J	22		N2	2			
723	4	K	D04511J	11		31-51-42	SM00038		W	N2	1			
724	4	K	D01433	40		31-51-42	SM00038		W	N2	1			
725	4	K	D01433	3		31-51-42	D04347J	13		N2	2			
726	2	A	D04347J	14		31-51-21	SM00036		W	N2	1			
727	2	A	D04301J	11		31-51-21	SM00035		W	N2	1			
728	4	K	D04347J	1		31-51-41	D00819	35		N2	2			

286T0045-OAP
Wire Bundle Assembly
Figure 137 (Sheet 15)

25-71-02

TESTING & TROUBLE SHOOTING

01

Page 188A

Nov 01/02

WIRE			FROM EQUIPMENT				TO EQUIPMENT				WIRE INFO			
NUMBER	GA	TYP	NUMBER	TERM	TT	WDM REF	NUMBER	TERM	TT	MC/SE	FT	NOTE	EFFECTIVITY	
729	4	K	D04347J	2		31-51-41	D00819	1		N2	2			
730	4	K	D04347J	3		31-51-41	D00819	36		N2	2			
731	4	K	D04347J	4		31-51-41	D00819	2		N2	2			
732	4	K	D04347J	5		31-51-42	D01433	20		N2	2			
733	4	K	D04347J	16		34-16-11	D00821	65		N2	2			
734	4	K	D04347J	8		31-51-31	SM00046		W	N2	1			
735	4	K	D04507J	7		34-16-11	D00821	34		N2	2			
736	4	K	D04507J	2		34-16-11	D00821	66		N2	2			
737	4	K	SM00041		W	34-16-11	D00821	31		N2	1			
738	4	K	D04347J	19		34-16-11	D00821	7		N2	2			
739	4	K	SM00075		W	34-16-11	D00821	6		N2	1			
740	4	K	SM00038		W	34-16-11	D00821	40		N2	1			
741	4	K	D00821	18		34-16-11	D00821	22		N2				
742	4	K	D00821	50		34-16-11	D00821	48		N2				
746	4	K	D04597J	10		31-51-31	SM00043		W	N2	1			
747	4	K	D01487	46		31-51-31	SM00043		W	N2	1			
748	4	K	D04347J	7		31-51-31	SM00045		W	N2	1			
749	4	K	D01487	10		31-51-31	SM00045		W	N2	1			
750	4	K	D01487	19		31-51-31	SM00046		W	N2	1			
751	4	K	D01487	13		31-51-31	SM00040		W	N2	1			
752	4	K	D01487	47		31-51-31	SM00044		W	N2	1			
753	4	K	D01487	51		31-51-31	SM00041		W	N2	1			
755	4	V	D01487	1		31-51-31	SM00035		W	N2	1			
755Z			D01487	DED		31-51-31	SM00035	DED		N2				
756	4	K	D01487	50		31-51-31	SM00036		W	N2	1			
757	4	K	D01487	49		31-51-31	SM00039		W	N2	1			
758	4	K	D01487	22		31-51-31	D01489	23		N2	2			
759	4	K	D01487	55		31-51-31	D01489	47		N2	2			
760	4	K	D01487	34		31-51-31	D01489	51		N2	2			
761	4	K	D01487	66		31-51-31	D01489	57		N2	2			
762	4	K	D00817	10		31-51-32	SM00045		W	N2	1			
763	4	K	D00817	46		31-51-32	SM00043		W	N2	1			

286T0045-OAP
Wire Bundle Assembly
Figure 137 (Sheet 16)

25-71-02



BOEING
COMPONENT
MAINTENANCE MANUAL

WIRE			FROM EQUIPMENT				TO EQUIPMENT				WIRE INFO			
NUMBER	GA	TYP	NUMBER	TERM	TT	WDM REF	NUMBER	TERM	TT	MC/SE	FT	NOTE	EFFECTIVITY	
764	4	V	D00817	1		31-51-32	SM00035		W	N2	1			
764Z			D00817	DED		31-51-32	SM00035	DED		N2				
765	4	K	D00817	50		31-51-32	SM00036		W	N2	1			
766	4	V	D00817	49		31-51-32	SM00053		W	N2	1			
766Z			D00817	DED		31-51-32	SM00053	DED		N2				
767	4	K	D00817	19		31-51-32	SM00046		W	N2	1			
768	4	K	D00817	13		31-51-32	SM00040		W	N2	1			
769	4	K	D00817	47		31-51-32	SM00044		W	N2	1			
770	4	K	D00817	51		31-51-32	SM00041		W	N2	1			
772	4	K	D00817	22		31-51-32	D01489	54		N2	2			
773	4	K	D00817	55		31-51-32	D01489	13		N2	2			
774	4	K	D00817	34		31-51-32	D01489	25		N2	2			
775	4	K	D00817	66		31-51-32	D01489	58		N2	2			
776	4	K	D01489	42		31-51-33	D04347J	15		N2	2			
777	4	K	D01489	8		31-51-33	D04349J	13		N2	2			
779	4	K	D01489	35		31-51-33	D04349J	40		N2	2			
780	4	K	D01489	53		31-51-33	D04349J	2		N2	2			
781	4	K	D01489	31		31-51-33	D01489	48		N2				
782	4	K	D01489	18		31-51-33	D01489	22		N2				
783	4	K	D01489	38		31-51-33	SM00008		W	N2	1			
784	4	K	D01489	4		31-51-33	SM00011		W	N2	1			
785	4	K	D01489	37		31-51-33	SM00012		W	N2	1			
786	4	K	D01489	3		31-51-33	SM00010		W	N2	1			
787	4	K	D01489	1		31-51-33	SM00009		W	N2	1			
788	4	K	D01489	6		31-51-33	SM00034		W	N2	1			
789	4	K	D01489	41		31-51-33	D04509J	11		N2	2			
791	4	K	D01489	7		31-51-33	D04509J	10		N2	2			
792	4	K	D01489	40		31-51-33	D04509J	9		N2	2			
793	4	K	D00819	11		31-51-41	SM00075		W	N2	1			
794	0	A	D04303J	10		31-51-32	GDX0004	S..	2	N2	2			
795	4	K	D01433	9		31-51-42	D01433	48		N2				
796	4	K	D01433	22		31-51-42	D01433	50		N2				

286T0045-OAP
Wire Bundle Assembly
Figure 137 (Sheet 17)

25-71-02

WIRE			FROM EQUIPMENT				TO EQUIPMENT				WIRE INFO			
NUMBER	GA	TYP	NUMBER	TERM	TT	WDM REF	NUMBER	TERM	TT	MC/SE	FT	NOTE	EFFECTIVITY	
797	4	V	D00815	41		31-51-21	SM00053		W	N2	1			
797Z			D00815	DED		31-51-21	SM00053	DED		N2				
798	4	V	D04349J	9		31-51-21	SM00053		W	N2	1			
798Z			D04349J	DED		31-51-21	SM00053	DED		N2				
817	4	K	D00823	55		27-32-12	D11553	6		N2	2			
818	4	K	D00823	21		27-32-12	D11553	4		N2	2			
819	4	K	D00823	51		27-32-12	D11553	3		N2	2			
820	4	K	D00823	50		27-32-12	D11553	2		N2	2			
821	4	K	D00823	49		27-32-12	D11553	7		N2	2			
822	4	K	D00823	47		27-32-12	D11553	8		N2	2			
823	4	K	D00823	46		27-32-12	D11553	9		N2	2			
824	4	K	D00823	53		27-32-12	D11553	5		N2	2			
825	4	K	D00823	62		27-32-12	D11553	24		N2	2			
826	4	K	D01381	55		27-32-22	D11553	16		N2	2			
827	4	K	D01381	21		27-32-22	D11553	14		N2	2			
828	4	K	D01381	51		27-32-22	D11553	13		N2	2			
829	4	K	D01381	50		27-32-22	D11553	12		N2	2			
830	4	K	D01381	49		27-32-22	D11553	17		N2	2			
831	4	K	D01381	47		27-32-22	D11553	18		N2	2			
832	4	K	D01381	46		27-32-22	D11553	19		N2	2			
833	4	K	D01381	53		27-32-22	D11553	15		N2	2			
834	4	K	D01381	62		27-32-22	D11553	34		N2	2			
835	4	K	D04349J	50		27-32-21	D01381	64		N2	2			
836	0	A	D04349J	53		27-32-21	GDX0002	S..	2	N2	2			
837	4	K	D00823	42		27-32-12	SM00082		W	N2	1			
838	4	K	D01381	42		27-32-22	SM00085		W	N2	1			
862	2	A	D02261	30		31-41-35	GDX0006	S..	2	N2	1			
863	2	A	D02261	32		31-41-35	GDX0006	S..	2	N2	1			
864	2	A	D02261	33		31-41-35	GDX0006	S..	2	N2	1			
865	2	A	D02261	64		31-41-35	GDX0006	S..	2	N2	1			
866	4	V	D02261	27		31-51-11	SM00018		W	N2	1			
866Z			D02261	DED		31-51-11	SM00018	REF		N2				

286T0045-OAP
Wire Bundle Assembly
Figure 137 (Sheet 18)

25-71-02



BOEING
COMPONENT
MAINTENANCE MANUAL

WIRE			FROM EQUIPMENT				TO EQUIPMENT				WIRE INFO			
NUMBER	GA	TYP	NUMBER	TERM	TT	WDM REF	NUMBER	TERM	TT	MC/SE	FT	NOTE	EFFECTIVITY	
867	4	V	D02261	28		31-51-11	SM00047		W	N2	1			
867Z			D02261	DED		31-51-11	SM00047	REF		N2				
868	4	V	D02261	29		31-51-12	SM00054		W	N2	1			
868Z			D02261	DED		31-51-12	SM00054	REF		N2				
869	4	K	D02261	34		31-51-12	SM00025		W	N2	1			
870	2	A	D02261	56		31-51-12	GDX0001	S..	2	N2	2			
871	2	A	D02261	57		31-51-12	GDX0003	S..	2	N2	2			
872	2	A	D02261	59		31-51-11	GDX0005	S..	2	N2	1			
873	4	V	D02261	60		31-51-12	SM00055		W	N2	1			
873Z			D02261	DED		31-51-12	SM00055	REF		N2				
874	4	V	D02261	62		31-51-11	SM00049		W	N2	1			
874Z			D02261	DED		31-51-11	SM00049	REF		N2				
875	4	V	D02261	63		31-51-12	SM00056		W	N2	1			
875Z			D02261	DED		31-51-12	SM00056	REF		N2				
876	4	K	D02261	65		31-51-11	SM00022		W	N2	1			
877	4	V	D00811	14		31-51-11	SM00018		W	N2	2			
877Z			D00811	DED		31-51-11	SM00018	REF		N2				
878	4	V	D00811	48		31-51-11	SM00047		W	N2	2			
878Z			D00811	DED		31-51-11	SM00047	REF		N2				
879	4	V	D00811	23		31-51-11	SM00049		W	N2	2			
879Z			D00811	DED		31-51-11	SM00049	REF		N2				
880	4	V	D00813	14		31-51-12	SM00054		W	N2	2			
880Z			D00813	DED		31-51-12	SM00054	REF		N2				
881	4	V	D00813	48		31-51-12	SM00055		W	N2	2			
881Z			D00813	DED		31-51-12	SM00055	REF		N2				
882	4	V	D00813	23		31-51-12	SM00056		W	N2	2			
882Z			D00813	DED		31-51-12	SM00056	REF		N2				
883	2	A	D02261	15		38-32-11	D04349J	26		N2	2			
884	2	A	D02261	47		38-32-11	D04347J	27		N2	2			
885	4	K	D04303J	9		31-51-21	SM00057		W	N2	1			
886	4	K	D04507J	3		31-51-21	SM00058		W	N2	1			
887	4	K	D04507J	1		31-51-21	SM00058		W	N2	1			

286T0045-OAP
Wire Bundle Assembly
Figure 137 (Sheet 19)

25-71-02

WIRE		FROM EQUIPMENT				TO EQUIPMENT				WIRE INFO			
NUMBER	GA	TYP	NUMBER	TERM	TT	WDM REF	NUMBER	TERM	TT	MC/SE	FT	NOTE	EFFECTIVITY
888	4	K	SM00057		W	31-51-21	D04349J	44		N2	1		

286T0045-0AP
 Wire Bundle Assembly
 Figure 137 (Sheet 20)

25-71-02



BOEING
COMPONENT
MAINTENANCE MANUAL

WIRE			FROM EQUIPMENT				TO EQUIPMENT				WIRE INFO			
NUMBER	GA	TYP	NUMBER	TERM	TT	WDM REF	NUMBER	TERM	TT	MC/SE	FT	NOTE	EFFECTIVITY	
FRA			M01103			31-51-12	M01103	GND	D	N2				
FRB			D00813			31-51-12	D00813	59		N2				
FRC			M01102			31-51-11	M01102	GND	D	N2				
FRD			D00811			31-51-11	D00811	59		N2				
FRH			D04349J	61		28-41-11	D04349J			N2				
PA1			D00815	47		99-99-99	D00815	63		N2		DAW-B2		
PA2			D00817	8		99-99-99	D00817	57		N2		DAW-B2		
PA3			D00819	41		99-99-99	D00819	55		N2		DAW-B2		
PA4			D00821	43		99-99-99	D00821	60		N2		DAW-B2		
PA5			D00823	52		99-99-99	D00823	65		N2		DAW-B2		
PA6			D01433	44		99-99-99	D01433	61		N2		DAW-B2		
PA7			D01381	52		99-99-99	D01381	65		N2		DAW-B2		
PA8			D01487	8		99-99-99	D01487	57		N2		DAW-B2		
PA9			D01489	56		99-99-99	D01489	65		N2		DAW-B2		
PB4			D02261	54		99-99-99	D02261	61		N2		DAW-B2		
P01		SE	D11553							N2				
1	22	PA	D00811	60		31-51-11	GDX0001	S..	2	N2	3	UAE-F2		
2	22	PA	D00821	14		31-51-11	GDX0002	D..	2	N2	2			
3	24	PV	D00811	26		31-51-11	D00821	27		N2	3			
003Z			D00811	DED		31-51-11	D00821			N2				
4	24	PV	D00811	49		31-51-11	D00821	32		N2	3			
004Z			D00811	DED		31-51-11	D00821			N2				
5	24	PV	D00811	35		31-51-11	D00821	17		N2	3			
005Z			D00811	DED		31-51-11	D00821			N2				
6	24	PK	SM00022		W	31-51-11	D00821	51		N2	1			
7	24	PK	D00811	65		31-51-11	SM00022		W	N2	2			
8	24	PK	D00819	37		31-51-11	SM00022		W	N2	1			
9	24	PV	D00819	27		31-51-11	D00811	13		N2	3			
009Z			D00811	DED		31-51-11	D00819			N2				
10	22	PA	D00819	14		31-51-11	GDX0001	D..	2	N2	2			
11	24	PK	D01433	51		31-51-11	SM00022		W	N2	1			
12	24	PV	SM00018		W	31-51-11	D01433	27		N2	1			

286T0045-0AR
Wire Bundle Assembly
Figure 138 (Sheet 1)

25-71-02

WIRE			FROM EQUIPMENT				TO EQUIPMENT				WIRE INFO			
NUMBER	GA	TYP	NUMBER	TERM	TT	WDM REF	NUMBER	TERM	TT	MC/SE	FT	NOTE	EFFECTIVITY	
012Z			SM00018	REF		31-51-11	D01433			N2				
13	24	PV	SM00047		W	31-51-11	D01433	32		N2	1			
013Z			SM00047	REF		31-51-11	D01433			N2				
14	24	PV	SM00049		W	31-51-11	D01433	17		N2	1			
014Z			SM00049	REF		31-51-11	D01433			N2				
15	22	PA	D01433	14		31-51-11	GDX0001	D..	2	N2	2			
16	20	PA	SM00028		W	31-51-11	GDX0005	D..	2	N2	2			
17	20	UA	GDX0002	S..	2	31-51-11	D00821			N2	2			
18	20	UA	GDX0005	S..	2	31-51-11	D00819			N2	2			
19	20	UA	D01433			31-51-11	GDX0002	S..	2	N2	2			
20	20	PA	GDX0005	D..	2	31-51-11	SM00029		W	N2				
21	20	UA	GDX0002	S..	2	31-51-11	D01503			N2	2			
23	20	UA	D00815			31-51-11	GDX0002	S..	2	N2	2			
24	24	PK	D04349J	38		31-51-11	SM00005		W	N2	1			
25	24	PK	D01503	A2		31-51-11	SM00005		W	N2	1			
26	20	PA	D01503	A3		31-51-11	GDX0003	D..	2	N2	2			
27	22	PQ	D01503	X2		31-51-11	D00811	75		N2	4			
027Z			D00811	DED		31-51-11	D01503			N2				
28	24	PV	D01503	X1		31-51-11	SM00015		W	N2	1			
028Z			SM00015	REF		31-51-11	D01503			N2				
29	24	PV	D00811	46		31-51-11	SM00015		W	N2	2			
029Z			SM00015	REF		31-51-11	D00811	DED		N2				
30	24	PK	SM00015		W	31-51-11	D11553	35		N2	1			
32	20	PA	D11553	11		31-51-11	GDX0003	D..	2	N2	2			
33	24	PK	D11553	37		31-51-11	D00811	34		N2	4			
34	24	PK	D11553	36		31-51-11	D00811	33		N2	4			
35	22	PA	D00815	14		31-51-11	GDX0001	D..	2	N2	2			
36	24	PV	D00815	27		31-51-11	D00811	12		N2	3			
036Z			D00811	DED		31-51-11	D00815			N2				
37	24	PV	D00815	32		31-51-11	D00811	17		N2	3			
037Z			D00811	DED		31-51-11	D00815			N2				
38	24	PV	D00815	17		31-51-11	D00811	22		N2	3			

286T0045-OAR
Wire Bundle Assembly
Figure 138 (Sheet 2)

25-71-02



BOEING
COMPONENT
MAINTENANCE MANUAL

WIRE			FROM EQUIPMENT				TO EQUIPMENT				WIRE INFO			
NUMBER	GA	TYP	NUMBER	TERM	TT	WDM REF	NUMBER	TERM	TT	MC/SE	FT	NOTE	EFFECTIVITY	
038Z			D00811	DED		31-51-11	D00815			N2				
39	24	PK	D00815	54		31-51-11	SM00020		W	N2	1			
40	24	PK	D00811	63		31-51-11	SM00020		W	N2	2			
41	24	PK	D00823	35		31-51-11	SM00020		W	N2	1			
42	24	PK	D01381	35		31-51-11	SM00020		W	N2	1			
45	22	PA	D01381	14		31-51-11	GDX0001	D..	2	N2	2			
46	22	PA	D01381	48		31-51-11	GDX0003	D..	2	N2	2			
47	24	PV	D01381	27		31-51-11	D00811	11		N2	3			
047Z			D00811	DED		31-51-11	D01381			N2				
48	24	PV	D01381	32		31-51-11	D00811	16		N2	3			
048Z			D00811	DED		31-51-11	D01381			N2				
49	24	PV	D01381	17		31-51-11	D00811	21		N2	3			
049Z			D00811	DED		31-51-11	D01381			N2				
52	22	PA	D00823	14		31-51-11	GDX0001	D..	2	N2	2			
53	22	PA	D00823	48		31-51-11	GDX0003	D..	2	N2	2			
54	24	PV	D00823	27		31-51-11	D00811	10		N2	3			
054Z			D00811	DED		31-51-11	D00823			N2				
55	24	PV	D00823	32		31-51-11	D00811	15		N2	3			
055Z			D00811	DED		31-51-11	D00823			N2				
56	24	PV	D00823	17		31-51-11	D00811	20		N2	3			
056Z			D00811	DED		31-51-11	D00823			N2				
57	22	PA	D00817	14		31-51-11	GDX0002	D..	2	N2	2			
58	24	PV	D00817	27		31-51-11	D00811	51		N2	3			
058Z			D00811	DED		31-51-11	D00817			N2				
59	24	PV	D00817	32		31-51-11	D00811	74		N2	3			
059Z			D00811	DED		31-51-11	D00817			N2				
60	24	PK	D00817	45		31-51-11	SM00021		W	N2	1			
61	24	PK	D00811	64		31-51-11	SM00021		W	N2	2			
62	24	PK	D01489	16		31-51-11	SM00021		W	N2	1			
63	24	PK	D01487	45		31-51-11	SM00021		W	N2	1			
64	24	PV	D01487	27		31-51-11	D00811	47		N2	3			
064Z			D00811	DED		31-51-11	D01487			N2				

286T0045-OAR
Wire Bundle Assembly
Figure 138 (Sheet 3)

25-71-02

TESTING & TROUBLE SHOOTING

01

Page 188I

Nov 01/02

WIRE			FROM EQUIPMENT				TO EQUIPMENT				WIRE INFO			
NUMBER	GA	TYP	NUMBER	TERM	TT	WDM REF	NUMBER	TERM	TT	MC/SE	FT	NOTE	EFFECTIVITY	
65	24	PV	D01487	32		31-51-11	D00811	70		N2	3			
065Z			D00811	DED		31-51-11	D01487			N2				
66	22	PA	D01487	14		31-51-11	GDX0003	D..	2	N2	2			
67	24	PV	D01489	27		31-51-11	D00811	45		N2	3			
067Z			D00811	DED		31-51-11	D01489			N2				
68	24	PV	D01489	32		31-51-11	D00811	50		N2	3			
068Z			D00811	DED		31-51-11	D01489			N2				
69	24	PV	D01489	17		31-51-11	D00811	36		N2	3			
069Z			D00811	DED		31-51-11	D01489			N2				
70	22	PA	D01489	14		31-51-11	GDX0003	D..	2	N2	2			
71	20	UA	D01381			31-51-11	GDX0002	S..	2	N2	2			
72	20	UA	D00823			31-51-11	GDX0002	S..	2	N2	2			
73	20	UA	D00817			31-51-11	GDX0002	S..	2	N2	2			
74	20	PA	SM00026		W	31-51-11	GDX0005	D..	2	N2	2			
75	20	UA	D01487			31-51-11	GDX0005	S..	2	N2	2			
76	20	UA	GDX0005	S..	2	31-51-11	D01489			N2	2			
77	24	PK	D02261	40		31-41-35	D04349J	1		N2	2			
78	20	PA	SM00027		W	31-51-11	GDX0005	D..	2	N2	2			
79	22	PA	D00813	60		31-51-12	GDX0003	S..	2	N2	3	UAE-F2		
80	22	PA	D00821	15		31-51-12	GDX0002	D..	2	N2	2			
81	24	PV	D00821	30		31-51-12	D00813	26		N2	3			
081Z			D00813	DED		31-51-12	D00821			N2				
82	24	PV	D00821	33		31-51-12	D00813	49		N2	3			
082Z			D00813	DED		31-51-12	D00821			N2				
83	24	PV	D00821	24		31-51-12	D00813	35		N2	3			
083Z			D00813	DED		31-51-12	D00821			N2				
84	24	PK	D00821	19		31-51-12	SM00025		W	N2	1			
85	24	PK	D00813	65		31-51-12	SM00025		W	N2	2			
86	24	PK	D00819	3		31-51-12	SM00025		W	N2	1			
87	24	PK	D01433	18		31-51-12	SM00025		W	N2	1			
88	22	PA	D01433	15		31-51-12	GDX0002	D..	2	N2	2			
89	24	PV	D01433	30		31-51-12	SM00054		W	N2	1			

286T0045-OAR
Wire Bundle Assembly
Figure 138 (Sheet 4)

25-71-02



BOEING
COMPONENT
MAINTENANCE MANUAL

WIRE			FROM EQUIPMENT				TO EQUIPMENT				WIRE INFO			
NUMBER	GA	TYP	NUMBER	TERM	TT	WDM REF	NUMBER	TERM	TT	MC/SE	FT	NOTE	EFFECTIVITY	
089Z			SM00054	REF		31-51-12	D01433			N2				
90	24	PV	D01433	33		31-51-12	SM00055		W	N2	1			
090Z			SM00055	REF		31-51-12	D01433			N2				
91	24	PV	D01433	24		31-51-12	SM00056		W	N2	1			
091Z			SM00056	REF		31-51-12	D01433			N2				
92	22	PA	D00819	15		31-51-12	GDX0002	D..	2	N2	2			
93	24	PV	D00819	30		31-51-12	D00813	13		N2	3			
093Z			D00813	DED		31-51-12	D00819			N2				
94	20	PA	SM00032		W	31-51-12	GDX0005	D..	2	N2				
95	24	PV	D01505	X2		31-51-12	D00813	75		N2	3			
095Z			D00813	DED		31-51-12	D01505			N2				
96	24	PV	D01505	X1		31-51-12	SM00016		W	N2	1			
096Z			SM00016	REF		31-51-12	D01505			N2				
97	24	PV	D00813	46		31-51-12	SM00016		W	N2	2			
097Z			SM00016	REF		31-51-12	D00813	DED		N2				
98	20	PA	SM00033		W	31-51-12	GDX0005	D..	2	N2				
99	24	PK	SM00016			31-51-12	D11553	25		N2	1			
10A	24	PK	D01489	21	W	31-51-33	D04349J	23		N2	2			
100	20	PA	D11553	1		31-51-12	GDX0003	D..	2	N2	2			
101	20	UA	D00821			31-51-12	GDX0004	S..	2	N2	2			
102	20	UA	D00819			31-51-12	GDX0004	S..	2	N2	2			
103	20	UA	D01433			31-51-12	GDX0004	S..	2	N2	2			
104	20	UA	D01505			31-51-12	GDX0005	S..	2	N2	2			
106	20	UA	D00815			31-51-12	GDX0004	S..	2	N2	2			
107	20	UA	D01381			31-51-12	GDX0004	S..	2	N2	2			
109	20	UA	D00817			31-51-12	GDX0004	S..	2	N2	2			
110	20	UA	D01487			31-51-12	GDX0001	S..	2	N2	2			
111	20	UA	D01489			31-51-12	GDX0001	S..	2	N2	2			
112	22	PA	D00815	15		31-51-12	GDX0001	S..	2	N2	2			
113	24	PK	D01505	A2		31-51-12	SM00005	D..	W	N2	1			
114	20	PA	D01505	A3		31-51-12	GDX0003	D..	2	N2	2			
116	24	PK	D00815	21		31-51-12	SM00023		W	N2	1			

286T0045-0AR
Wire Bundle Assembly
Figure 138 (Sheet 5)

25-71-02

WIRE			FROM EQUIPMENT			TO EQUIPMENT			WIRE INFO				
NUMBER	GA	TYP	NUMBER	TERM	TT	WDM REF	NUMBER	TERM	TT	MC/SE	FT	NOTE	EFFECTIVITY
117	24	PK	D00813	63		31-51-12	SM00023		W	N2	2		
118	24	PK	D00823	1		31-51-12	SM00023		W	N2	1		
119	24	PK	D01381	1		31-51-12	SM00023		W	N2	1		
120	22	PA	D01381	15		31-51-12	GDX0001	D..	2	N2	2		
121	24	PK	D00817	56		31-51-12	SM00024		W	N2	1		
122	24	PK	D00813	64		31-51-12	SM00024		W	N2	2		
123	24	PK	D01487	56		31-51-12	SM00024		W	N2	1		
124	22	PA	D00823	15		31-51-12	GDX0001	D..	2	N2	2		
125	20	UA	D00823	15		31-51-12	GDX0004	S..	2	N2	2		
126	24	PV	D00823	33		31-51-12	D00813	15		N2	3		
126Z			D00823			31-51-12	D00813	DED		N2			
127	24	PV	D00823	24		31-51-12	D00813	20		N2	3		
127Z			D00823			31-51-12	D00813	DED		N2			
128	22	PA	D00817	15		31-51-12	GDX0002	D..	2	N2	2		
129	24	PV	D00817	30		31-51-12	D00813	51		N2	3		
129Z			D00817			31-51-12	D00813	DED		N2			
130	24	PV	D00817	33		31-51-12	D00813	74		N2	3		
130Z			D00817			31-51-12	D00813	DED		N2			
131	24	PV	D00813	11		31-51-12	D01381	30		N2	3		
131Z			D01381			31-51-12	D00813	DED		N2			
132	24	PV	D00813	16		31-51-12	D00813	33		N2	3		
132Z			D01381			31-51-12	D01381	DED		N2			
133	24	PV	D01381	24		31-51-12	D00813	21		N2	3		
133Z			D01381			31-51-12	D00813	DED		N2			
134	24	PK	D01489	50		31-51-12	SM00024		W	N2	1		
135	24	PV	D01487	30		31-51-12	D00813	47		N2	3		
135Z			D01487			31-51-12	D00813	DED		N2			
136	24	PV	D01487	33		31-51-12	D00813	70		N2	3		
136Z			D01487			31-51-12	D00813	DED		N2			
137	22	PA	D01487	15		31-51-12	D00813	DED		N2			
138	24	PV	D01489	30		31-51-12	GDX0003	D..	2	N2	2		
138Z			D01489			31-51-12	D00813	45		N2	3		
138Z			D01489			31-51-12	D00813	DED		N2			

286T0045-0AR
Wire Bundle Assembly
Figure 138 (Sheet 6)

25-71-02



BOEING
COMPONENT
MAINTENANCE MANUAL

WIRE			FROM EQUIPMENT				TO EQUIPMENT				WIRE INFO			
NUMBER	GA	TYP	NUMBER	TERM	TT	WDM REF	NUMBER	TERM	TT	MC/SE	FT	NOTE	EFFECTIVITY	
139	24	PV	D01489	33		31-51-12	D00813	50		N2	3			
139Z			D01489			31-51-12	D00813	DED		N2				
140	24	PV	D01489	24		31-51-12	D00813	36		N2	3			
140Z			D01489			31-51-12	D00813	DED		N2				
141	22	PA	D01489	15		31-51-12	GDX0003	D..	2	N2	2			
142	24	PK	D00813	33		31-51-12	D11553	26		N2	3			
143	24	PK	D11553	27		31-51-12	D00813	34		N2	3			
144	24	PV	D00813	12		31-51-12	D00815	30		N2	3			
144Z			D00813	DED		31-51-12	D00815			N2				
145	20	PA	SM00030		W	31-51-12	GDX0005	D..	2	N2				
146	24	PV	D00813	17		31-51-12	D00815	33		N2	3			
146Z			D00813	DED		31-51-12	D00815			N2				
147	24	PV	D00813	22		31-51-12	D00815	24		N2	3			
147Z			D00813	DED		31-51-12	D00815			N2				
148	24	PV	D00813	10		31-51-12	D00823	30		N2	3			
148Z			D00813	DED		31-51-12	D00823			N2				
149	20	PA	SM00031		W	31-51-12	GDX0005	D..	2	N2				
150	22	PA	D04301J	6		27-32-11	D00823	34		N2	2			
151	24	PK	D04509J	1		27-32-11	D00823	39		N2	2			
152	24	PK	D04347J	26		27-32-11	D00823	40		N2	2			
153	24	PK	D00823	31		27-32-11	D04509J	6		N2	2			
154	20	PA	D04509J	7		27-32-11	GDX0001	D..	2	N2	2			
155	24	PK	SM00037		W	27-32-11	D04511J	3		N2	1			
156	24	PK	D00823	38		27-32-11	D04511J	2		N2	2			
157	24	PK	D04511J	4		27-32-11	SM00050		W	N2	1			
158	24	PK	SM00037		W	27-32-11	D00823	4		N2	1			
159	24	PK	D04349J	14		27-32-11	D00823	36		N2	1			
160	24	PK	D04349J	15		27-32-11	D00823	3		N2	1			
161	24	PK	D04349J	16		27-32-11	D00823	43		N2	1			
162	24	PK	D04349J	10		27-32-11	D00823	2		N2	1			
165	22	PA	D04349J	11		27-32-21	D01381	34		N2	2			
166	24	PK	D01381	40		27-32-21	D04349J	6		N2	2			

286T0045-0AR
Wire Bundle Assembly
Figure 138 (Sheet 7)

25-71-02

WIRE			FROM EQUIPMENT				TO EQUIPMENT				WIRE INFO			
NUMBER	GA	TYP	NUMBER	TERM	TT	WDM REF	NUMBER	TERM	TT	MC/SE	FT	NOTE	EFFECTIVITY	
167	24	PK	D01381	31		27-32-21	D04511J	7		N2	2			
168	20	PA	GDX0002	D..	2	27-32-21	D04511J	8		N2	2			
169	24	PK	D04349J	34		27-32-21	D01381	36		N2	2			
170	24	PK	D04349J	35		27-32-21	D01381	3		N2	2			
171	24	PK	D04349J	36		27-32-21	D01381	43		N2	2			
172	24	PK	D04349J	37		27-32-21	D01381	2		N2	2			
173	24	PK	D04511J	13		27-32-21	D01381	4		N2	2			
174	24	PK	D04511J	16		27-32-21	D01381	37		N2	2			
175	24	PK	D04511J	15		27-32-21	D01381	38		N2	2			
176	24	PK	D04509J	8		27-32-21	D01381	39		N2	2			
177	24	PK	D00815	34		31-51-21	SM00057		W	N2	1			
178	24	PK	D00815	43		31-51-21	D01433	19		N2	2			
179	24	PK	D00815	10		31-51-21	D00819	5		N2	2			
180	24	PK	D04507J	5		31-51-21	SM00034		W	N2	1			
181	24	PK	SM00058		W	31-51-21	D00815	66		N2	1			
182	24	PK	D00815	4		31-51-21	SM00034		W	N2	1			
183	24	PK	D00815	11		31-51-21	D04349J	39		N2	2			
184	22	PA	D00815	37		31-51-21	SM00035		W	N2	1			
185	22	PA	D00815	42		31-51-21	SM00036		W	N2	1			
186	24	PK	D04349J	5		31-51-21	SM00012		W	N2	1			
187	24	PK	D00815	2		31-51-21	SM00012		W	N2	1			
188	24	PK	SM00011		W	31-51-21	D04349J	4		N2	1			
189	24	PK	SM00011		W	31-51-21	D00815	35		N2	1			
190	24	PK	D04349J	12		31-51-21	SM00009		W	N2	1			
191	24	PK	D00815	44		31-51-21	SM00009		W	N2	1			
192	24	PK	D04347J	10		31-51-21	SM00008		W	N2	1			
193	24	PK	D00815	1		31-51-21	SM00008		W	N2	1			
194	24	PK	D04347J	11		31-51-21	SM00010		W	N2	1			
195	24	PK	D00815	36		31-51-21	SM00010		W	N2	1			
196	24	PK	SM00039			31-51-21	D04347J	21		N2	1			
197	24	PK	D00815	45		31-51-21	SM00039		W	N2	1			
198	24	PK	D00815	46		31-51-21	D04347J	6		N2	2			

286T0045-OAR
Wire Bundle Assembly
Figure 138 (Sheet 8)

25-71-02



BOEING
COMPONENT
MAINTENANCE MANUAL

WIRE			FROM EQUIPMENT				TO EQUIPMENT				WIRE INFO			
NUMBER	GA	TYP	NUMBER	TERM	TT	WDM REF	NUMBER	TERM	TT	MC/SE	FT	NOTE	EFFECTIVITY	
199	20	PA	GDX0004	S..	2	31-51-31	D04597J	14		N2	2			
201B	24	PW	D01489	43		31-51-33	SM00004		W	N2	1			
201R	24	PW	D01489	9		31-51-33	SM00003		W	N2				
201Z			D01489	DED		31-51-33	SM00003	REF		N2				
204	20	UA	D04507J			27-32-11	GDX0004	S..	2	N2	2			
204B	24	PW	D00823	18		27-32-11	D04507J	12		N2	1			
204R	24	PW	D00823	16		27-32-11	D04507J	11		N2				
204Z			D04507J			27-32-11	D00823	DED		N2				
205B	24	PW	D00815	19		31-51-21	SM00007		W	N2	1			
205R	24	PW	D00815	52		31-51-21	SM00006		W	N2				
205Z			D00815	DED		31-51-21	SM00006	REF		N2				
207	20	UA	D04597J		W	31-51-21	GDX0004	S..	2	N2	2			
207B	24	PW	SM00007			31-51-21	D04597J	4		N2	1			
207R	24	PW	SM00006		W	31-51-21	D04597J	3		N2				
207Z			SM00006	REF		31-51-21	D04597J			N2				
208	20	UA	D04301J			34-16-11	GDX0002	S..	2	N2	2			
208B	24	PW	D00821	36		34-16-11	D04301J	9		N2	2			
208R	24	PW	D00821	2		34-16-11	D04301J	8		N2				
208Z			D00821	DED		34-16-11	D04301J			N2				
209B	24	PW	D01489	46		31-51-33	SM00007		W	N2	1			
209R	24	PW	D01489	12		31-51-33	SM00006		W	N2				
209Z			D01489	DED		31-51-33	SM00006	REF		N2				
212B	24	PW	D01433	36		31-51-42	SM00007		W	N2	1			
212R	24	PW	D01433	2		31-51-42	SM00006		W	N2				
212Z			D01433	DED		31-51-42	SM00006	REF		N2				
213	20	UA	D04507J			34-16-11	GDX0004	S..	2	N2	2			
213B	24	PW	D00821	35		34-16-11	D04507J	8		N2	2			
213R	24	PW	D00821	1		34-16-11	D04507J	9		N2				
213Z			D00821	DED		34-16-11	D04507J			N2				
214	20	UA	D04349J			34-16-11	GDX0004	S..	2	N2	2			
214B	24	PW	D00821	37		34-16-11	D04349J	19		N2	2			
214R	24	PW	D00821	3		34-16-11	D04349J	18		N2				

286T0045-0AR
Wire Bundle Assembly
Figure 138 (Sheet 9)

25-71-02

WIRE			FROM EQUIPMENT				TO EQUIPMENT				WIRE INFO			
NUMBER	GA	TYP	NUMBER	TERM	TT	WDM REF	NUMBER	TERM	TT	MC/SE	FT	NOTE	EFFECTIVITY	
214Z			D00821	DED		34-16-11	D04349J			N2				
215B	24	PL	D01487	24		31-51-31	D04597J	12		N2	2			
215R	24	PL	D01487	23		31-51-31	D04597J	13		N2				
216B	24	PL	D00817	24		31-51-32	D04303J	12		N2	2			
216R	24	PL	D00817	23		31-51-32	D04303J	11		N2				
221B	24	PW	D01489	45		31-51-33	SM00004		W	N2	1			
221R	24	PW	D01489	11		31-51-33	SM00003	REF	W	N2				
221Z			D01489	DED		31-51-33	SM00003			N2				
223B	24	PW	D00821	38		34-16-11	SM00004		W	N2	1			
223R	24	PW	D00821	4		34-16-11	SM00003	REF	W	N2				
223Z			D00821	DED		34-16-11	SM00003			N2				
224	20	UA	D04349J			27-32-21	GDX0004	S..	2	N2	2			
224B	24	PW	D04349J	28		27-32-21	D01381	18		N2	2			
224R	24	PW	D04349J	27		27-32-21	D01381	16		N2				
224Z			D04349J			27-32-21	D01381	DED		N2				
225B	22	PR	D00811	69		31-51-11	SM00060		W	N2	2			
225R	22	PR	D00811	68		31-51-11	SM00060		W	N2				
225Z			D00811	DED		31-51-11	SM00028	REF		N2				
226B	22	PR	D00813	69		31-51-12	SM00061		W	N2	2			
226R	22	PR	D00813	68		31-51-12	SM00061		W	N2				
226Z			D00813	DED		31-51-12	SM00030	REF		N2				
230	20	UA	D04347J			31-51-33	GDX0003	S..	2	N2	2			
230B	24	PW	D04347J	18		31-51-33	SM00004		W	N2	1			
230R	24	PW	D04347J	17		31-51-33	SM00003		W	N2				
230Z			D04347J			31-51-33	SM00003	REF		N2				
236	20	UA	D04347J			27-32-11	GDX0001	S..	2	N2	2			
236B	24	PW	D04347J	37		27-32-11	D00823	54		N2	2			
236R	24	PW	D04347J	36		27-32-11	D00823	23		N2				
236Z			D04347J			27-32-11	D00823	DED		N2				
237B	24	PW	D04347J	40		27-32-11	D00823	13		N2	2			
237R	24	PW	D04347J	39		27-32-11	D00823	12		N2				
237Z			D04347J			27-32-11	D00823	DED		N2				

286T0045-0AR
Wire Bundle Assembly
Figure 138 (Sheet 10)

25-71-02



BOEING
COMPONENT
MAINTENANCE MANUAL

WIRE			FROM EQUIPMENT				TO EQUIPMENT				WIRE INFO			
NUMBER	GA	TYP	NUMBER	TERM	TT	WDM REF	NUMBER	TERM	TT	MC/SE	FT	NOTE	EFFECTIVITY	
238	20	UA	D04349J			27-32-21	GDX0001	S..	2	N2	2			
238B	24	PW	D04349J	49		27-32-21	D01381	54		N2	2			
238R	24	PW	D04349J	48		27-32-21	D01381	23		N2				
238Z	24	PW	D04349J			27-32-21	D01381	DED		N2				
239B	24	PW	D01381	20		27-32-21	D04349J	55		N2	2			
239R	24	PW	D01381	19		27-32-21	D04349J	54		N2				
239Z	24	PL	D01381	DED		27-32-21	D04349J			N2				
240B	24	PL	D04347J	23		31-51-31	SM00080		W	N2	1			
240R	24	PL	D04347J	22		31-51-31	SM00042		W	N2				
241B	24	PL	D01487	60		31-51-31	SM00080		W	N2	1			
241R	24	PL	D01487	28		31-51-31	SM00042		W	N2				
242B	24	PL	D00817	60		31-51-32	SM00080		W	N2	1			
242R	24	PL	D00817	28		31-51-32	SM00042		W	N2				
243B	24	PW	D04349J	52		27-32-21	D01381	13		N2	2			
243R	24	PW	D04349J	51		27-32-21	D01381	12		N2				
243Z	24	PW	D04349J			27-32-21	D01381	DED		N2				
245B	24	PW	D00823	20		27-32-11	D04347J	48		N2	2			
245R	24	PW	D00823	19		27-32-11	D04347J	47		N2				
245Z	24	UA	D00823	DED		27-32-11	D04347J			N2				
247	20	UA	D04349J			31-41-35	GDX0006	S..	2	N2	2			
247B	24	PW	D02261	42		31-41-35	D04349J	57		N2	2			
247R	24	PW	D02261	43		31-41-35	D04349J	56		N2				
247Z	24	UA	D02261	DED		31-41-35	D04349J			N2				
248	20	UA	D04349J			28-41-11	GDX0006	S..	2	N2	2			
248B	24	PW	D02261	5		28-41-11	D04349J	60		N2	2			
248R	24	PW	D02261	8		28-41-11	D04349J	59		N2				
248Z	24	PL	D02261	DED		28-41-11	D04349J			N2				
271B	24	PL	D04597J	5		31-51-31	SM00088		W	N2	1			
271R	24	PL	D04597J	2		31-51-31	SM00087		W	N2				
272B	24	PL	D01487	63		31-51-31	SM00088		W	N2	1			
272R	24	PL	D01487	62		31-51-31	SM00087		W	N2				
273B	24	PL	D00817	63		31-51-32	SM00088		W	N2	1			

286T0045-0AR
Wire Bundle Assembly
Figure 138 (Sheet 11)

25-71-02

WIRE			FROM EQUIPMENT				TO EQUIPMENT				WIRE INFO			
NUMBER	GA	TYP	NUMBER	TERM	TT	WDM REF	NUMBER	TERM	TT	MC/SE	FT	NOTE	EFFECTIVITY	
273R	24	PL	D00817	62		31-51-32	SM00087		W	N2				
290B	24	PW	D04597J	8		34-43-15	SM00104		W	N2	1			
290R	24	PW	D04597J	7		34-43-15	SM00103		W	N2				
290Z	24	PW	D04597J	9		34-43-15	SM00103		W	N2	1			
291B	24	PW	D04303J	4		34-43-15	SM00104		W	N2				
291R	24	PW	D04303J	3		34-43-15	SM00103		W	N2				
291Z	24	PW	D04303J	5		34-43-15	SM00103		W	N2	1			
292B	24	PW	D04347J	53		34-43-15	SM00104		W	N2				
292R	24	PW	D04347J	51		34-43-15	SM00103		W	N2				
292Z	24	PW	D04347J	61		34-43-15	SM00103		W	N2	1			
301	20	UA	SM00028	REF		31-51-11	GDX0005	S..	2	N2	1			
301B	22	PS	D00811	57		31-51-11	SM00028		W	N2	2			
301R	22	PS	D00811	38		31-51-11	SM00028		W	N2				
301Y	22	PS	D00811	58		31-51-11	SM00028		W	N2				
301Z	22	PS	D00811	DED		31-51-11	SM00028	REF	W	N2	2			
302B	22	PS	D00811	42		31-51-11	SM00029		W	N2				
302R	22	PS	D00811	41		31-51-11	SM00029		W	N2				
302Y	22	PS	D00811	43		31-51-11	SM00029		W	N2				
302Z	22	PS	D00811	DED		31-51-11	SM00028	REF	W	N2	2			
303B	22	PS	D00811	8		31-51-11	SM00026		W	N2				
303R	22	PS	D00811	7		31-51-11	SM00026		W	N2				
303Y	22	PS	D00811	9		31-51-11	SM00026		W	N2				
303Z	22	PS	D00811	DED		31-51-11	SM00028	REF	W	N2	2			
304B	22	PS	D00811	25		31-51-11	SM00027		W	N2				
304R	22	PS	D00811	24		31-51-11	SM00027		W	N2				
304Y	22	PS	D00811	37		31-51-11	SM00027		W	N2				
304Z	22	PS	D00811	DED		31-51-11	SM00028	REF	W	N2	2			
305	20	UA	SM00030	REF		31-51-12	GDX0005	S..	2	N2	1			
305B	22	PS	D00813	8		31-51-12	SM00030		W	N2	2			
305R	22	PS	D00813	7		31-51-12	SM00030		W	N2				
305Y	22	PS	D00813	9		31-51-12	SM00030		W	N2				
305Z	22	PS	D00813	DED		31-51-12	SM00030	REF	W	N2				

286T0045-0AR
Wire Bundle Assembly
Figure 138 (Sheet 12)

25-71-02



BOEING
COMPONENT
MAINTENANCE MANUAL

WIRE			FROM EQUIPMENT				TO EQUIPMENT				WIRE INFO			
NUMBER	GA	TYP	NUMBER	TERM	TT	WDM REF	NUMBER	TERM	TT	MC/SE	FT	NOTE	EFFECTIVITY	
306B	22	PS	D00813	25		31-51-12	SM00031		W	N2	2			
306R	22	PS	D00813	24		31-51-12	SM00031		W	N2				
306Y	22	PS	D00813	37		31-51-12	SM00031		W	N2				
306Z	22	PS	D00813	DED		31-51-12	SM00030	REF	W	N2	2			
307B	22	PS	D00813	57		31-51-12	SM00032		W	N2				
307R	22	PS	D00813	38		31-51-12	SM00032		W	N2				
307Y	22	PS	D00813	58		31-51-12	SM00032		W	N2				
307Z	22	PS	D00813	DED		31-51-12	SM00030	REF	W	N2	2			
308B	22	PS	D00813	42		31-51-12	SM00033		W	N2				
308R	22	PS	D00813	41		31-51-12	SM00033		W	N2				
308Y	22	PS	D00813	43		31-51-12	SM00033		W	N2				
308Z	22	PS	D00813	DED		31-51-12	SM00030	REF	W	N2	2			
512	24	PK	D02261	20	W	27-81-31	D04349J	8	2	N2				
601	20	PA	SM00060			31-51-11	GDX0004	D..	2	N2				
602	20	PA	SM00061		W	31-51-12	GDX0005	D..	2	N2				
603	24	PV	D04301J	5		31-51-12	M01103	INE	D	N2	1			
603Z	24	PV	D04301J	DED		31-51-12	M01103		D	N2				
604	24	PV	D04301J	4		31-51-12	D00813	4	D	N2	3			
604Z	24	PV	D04301J	DED		31-51-12	D00813		D	N2				
605	24	PV	D00813	1		31-51-12	M01103	OAD	D	N2	3			
605Z	24	PV	D00813	32		31-51-12	M01103	DED	D	N2				
606	24	PV	D04349J	32		31-51-11	M01102	INE	D	N2	1			
606Z	24	PV	D04349J	DED		31-51-11	M01102		D	N2				
607	24	PV	D04349J	33		31-51-11	D00811	4	D	N2	3			
607Z	24	PV	D04349J	DED		31-51-11	D00811		D	N2				
608	24	PV	D00811	1		31-51-11	M01102	OAD	D	N2	3			
608Z	24	PV	D00811	37		31-51-11	M01102	DED	D	N2				
610	24	PK	D00823	37		27-32-11	SM00050		W	N2	1			
611	24	PK	D01433	6		31-51-42	D04347J	20	W	N2	2			
612	24	PK	D01433	4		31-51-42	SM00050		W	N2	1			
613	24	PK	D04349J	30		31-51-31	SM00065		W	N2	1			
614	24	PK	D01487	52		31-51-31	SM00065		W	N2	1			

286T0045-0AR
Wire Bundle Assembly
Figure 138 (Sheet 13)

25-71-02

WIRE			FROM EQUIPMENT			TO EQUIPMENT			WIRE INFO				
NUMBER	GA	TYP	NUMBER	TERM	TT	WDM REF	NUMBER	TERM	TT	MC/SE	FT	NOTE	EFFECTIVITY
615	24	PK	D00817	52		31-51-32	SM00065		W	N2	1		
617	24	PK	D01381	11		27-32-12	D00823	56		N2	1		
618	24	PK	D01381	56		27-32-12	D00823	11		N2	1		
619	24	PK	D00823	45		27-32-12	SM00082		W	N2	1		
620	24	PK	D04349J	29		31-51-21	SM00071		W	N2	1		
621	24	PK	D00815	7		31-51-21	SM00071		W	N2	1		
622	24	PK	D01489	2		31-51-33	SM00071		W	N2	1		
623	24	PK	D01489	36		31-51-33	SM00038		W	N2	1		
624	24	PK	D00815	8		31-51-21	SM00045		W	N2	1		
625	24	PK	D01487	9		31-51-31	SM00034		W	N2	1		
628	22	PA	D01487	20		31-51-31	GDX0006	D..	2	N2	2		
629	22	PA	D01487	53		31-51-31	GDX0006	D..	2	N2	2		
630	22	PA	D01487	21		31-51-31	GDX0006	D..	2	N2	2		
631	24	PK	D00817	9		31-51-32	SM00034		W	N2	1		
634	22	PA	D00817	20		31-51-32	GDX0006	D..	2	N2	2		
635	22	PA	D00817	53		31-51-32	GDX0006	D..	2	N2	2		
636	22	PA	D00817	21		31-51-32	GDX0006	D..	2	N2	2		
644	22	PQ	D00823	66		27-32-31	D04347J	42		N2	2		
644Z	22	PQ	D00823	DED		27-32-31	D04347J	DED		N2	2		
646	22	PQ	D01381	66		27-32-31	D04349J	42		N2	2		
646Z	22	PQ	D01381	DED		27-32-31	D04349J	DED		N2	2		
648	24	PK	D04347J	32		34-16-11	D00821	40		N2	2		
649	24	PK	SM00038	10	W	34-16-11	D04347J	33		N2	1		
681	24	PK	D01433	10		31-51-43	D04507J	10		N2	2		
682	24	PK	D01433	13		31-51-43	D04347J	46		N2	2		
683	22	PA	D01433	41		31-51-43	SM00081		W	N2	1		
684	20	PA	GDX0001	D..	2	31-51-43	D04349J	47		N2	2		
685	24	PK	D00823	58		27-32-12	D01505	A1		N2	2		
686	24	PK	D00823	8		27-32-11	SM00038		W	N2	1		
687	24	PK	D00823	64		27-32-11	SM00081		W	N2	1		
688	24	PK	D01381	58		27-32-22	D01503	A1		N2	2		
689	24	PK	D01381	45		27-32-22	SM00085		W	N2	1		

286T0045-OAR
Wire Bundle Assembly
Figure 138 (Sheet 14)

25-71-02



BOEING
COMPONENT
MAINTENANCE MANUAL

WIRE			FROM EQUIPMENT				TO EQUIPMENT				WIRE INFO			
NUMBER	GA	TYP	NUMBER	TERM	TT	WDM REF	NUMBER	TERM	TT	MC/SE	FT	NOTE	EFFECTIVITY	
692	24	PK	D01381	8		27-32-21	SM00038		W	N2	1			
693	24	PK	D04347J	30		31-51-21	D00815	6		N2	2			
694	22	PA	D04349J	46		31-51-43	SM00081		W	N2	1			
696	20	PA	GDX0003	D..	2	27-32-12	SM00082		W	N2	1			
697	20	PA	GDX0003	D..	2	27-32-22	SM00085		W	N2	1			
701	24	PK	D00815	49		31-51-21	D00815	22		N2				
702	24	PK	D00815	16		31-51-21	D00815	48	W	N2	1			
703	24	PK	D00819	6		31-51-41	SM00019			N2				
704	24	PK	SM00075		W	31-51-41	D04511J	14		N2	1			
705	24	PK	D00819	45		31-51-41	D04511J	12		N2	2			
706	24	PK	D00819	10		31-51-41	D04349J	31		N2	2			
707	24	PK	D00819	21		31-51-41	D04509J	4		N2	2			
708	24	PK	D00819	9		31-51-41	D04349J	7		N2	2			
709	24	PK	D00819	39		31-51-41	SM00044		W	N2	1			
710	24	PK	D00819	43		31-51-41	SM00037		W	N2	1			
711	24	PK	D00819	12		31-51-41	D04349J	21		N2	2			
712	24	PK	D00819	53		31-51-41	D04349J	3		N2	2			
713	24	PK	D00819	20		31-51-41	D04347J	9		N2	2			
714	24	PK	D00819	44		31-51-41	D04349J	24		N2	2			
715	24	PK	D04507J	6		31-51-42	SM00019		W	N2	1			
716	24	PK	D01433	34		31-51-42	SM00019		W	N2	1			
717	24	PK	D01433	37		31-51-42	SM00034		W	N2	1			
718	24	PK	D01433	39		31-51-42	D04509J	2		N2	2			
720	24	PK	D01433	52		31-51-42	SM00040		W	N2	1			
721	24	PK	D01433	38		31-51-42	D04347J	24		N2	2			
722	24	PK	D01433	5		31-51-42	D04349J	22		N2	2			
723	24	PK	D04511J	11		31-51-42	SM00038		W	N2	1			
724	24	PK	D01433	40		31-51-42	SM00038		W	N2	1			
725	24	PK	D01433	3		31-51-42	D04347J	13		N2	2			
726	22	PA	D04347J	14		31-51-21	SM00036		W	N2	1			
727	22	PA	D04301J	11		31-51-21	SM00035		W	N2	1			
728	24	PK	D04347J	1		31-51-41	D00819	35		N2	2			

286T0045-0AR
Wire Bundle Assembly
Figure 138 (Sheet 15)

25-71-02

TESTING & TROUBLE SHOOTING

01

Page 188U

Nov 01/02

WIRE			FROM EQUIPMENT				TO EQUIPMENT				WIRE INFO			
NUMBER	GA	TYP	NUMBER	TERM	TT	WDM REF	NUMBER	TERM	TT	MC/SE	FT	NOTE	EFFECTIVITY	
729	24	PK	D04347J	2		31-51-41	D00819	1		N2	2			
730	24	PK	D04347J	3		31-51-41	D00819	36		N2	2			
731	24	PK	D04347J	4		31-51-41	D00819	2		N2	2			
732	24	PK	D04347J	5		31-51-42	D01433	20		N2	2			
733	24	PK	D04347J	16		34-16-11	D00821	65		N2	2			
734	24	PK	D04347J	8		31-51-31	SM00046		W	N2	1			
735	24	PK	D04507J	7		34-16-11	D00821	34		N2	2			
736	24	PK	D04507J	2		34-16-11	D00821	66		N2	2			
737	24	PK	SM00041		W	34-16-11	D00821	31		N2	1			
738	24	PK	D04347J	19		34-16-11	D00821	7		N2	2			
739	24	PK	SM00075		W	34-16-11	D00821	6		N2	1			
741	24	PK	D00821	18		34-16-11	D00821	22		N2				
742	24	PK	D00821	50		34-16-11	D00821	48		N2				
746	24	PK	D04597J	10		31-51-31	SM00043		W	N2	1			
747	24	PK	D01487	46		31-51-31	SM00043		W	N2	1			
748	24	PK	D04347J	7		31-51-31	SM00045		W	N2	1			
749	24	PK	D01487	10		31-51-31	SM00045		W	N2	1			
750	24	PK	D01487	19		31-51-31	SM00046		W	N2	1			
751	24	PK	D01487	13		31-51-31	SM00040		W	N2	1			
752	24	PK	D01487	47		31-51-31	SM00044		W	N2	1			
753	24	PK	D01487	51		31-51-31	SM00041		W	N2	1			
755	24	PV	D01487	1		31-51-31	SM00035		W	N2	1			
755Z			D01487	DED		31-51-31	SM00035	DED		N2				
756	24	PK	D01487	50		31-51-31	SM00036		W	N2	1			
757	24	PK	D01487	49		31-51-31	SM00039		W	N2	1			
758	24	PK	D01487	22		31-51-31	D01489	23		N2	2			
759	24	PK	D01487	55		31-51-31	D01489	47		N2	2			
760	24	PK	D01487	34		31-51-31	D01489	51		N2	2			
761	24	PK	D01487	66		31-51-31	D01489	57		N2	2			
762	24	PK	D00817	10		31-51-32	SM00045		W	N2	1			
763	24	PK	D00817	46		31-51-32	SM00043		W	N2	1			
764	24	PV	D00817	1		31-51-32	SM00035		W	N2	1			

286T0045-0AR
Wire Bundle Assembly
Figure 138 (Sheet 16)

25-71-02



BOEING
COMPONENT
MAINTENANCE MANUAL

WIRE			FROM EQUIPMENT				TO EQUIPMENT				WIRE INFO			
NUMBER	GA	TYP	NUMBER	TERM	TT	WDM REF	NUMBER	TERM	TT	MC/SE	FT	NOTE	EFFECTIVITY	
764Z			D00817	DED		31-51-32	SM00035	DED		N2				
765	24	PK	D00817	50		31-51-32	SM00036		W	N2	1			
766	24	FV	D00817	49		31-51-32	SM00053		W	N2	1			
766Z			D00817	DED		31-51-32	SM00053	DED		N2				
767	24	PK	D00817	19		31-51-32	SM00046		W	N2	1			
768	24	PK	D00817	13		31-51-32	SM00040		W	N2	1			
769	24	PK	D00817	47		31-51-32	SM00044		W	N2	1			
770	24	PK	D00817	51		31-51-32	SM00041		W	N2	1			
772	24	PK	D00817	22		31-51-32	D01489	54		N2	2			
773	24	PK	D00817	55		31-51-32	D01489	13		N2	2			
774	24	PK	D00817	34		31-51-32	D01489	25		N2	2			
775	24	PK	D00817	66		31-51-32	D01489	58		N2	2			
776	24	PK	D01489	42		31-51-33	D04347J	15		N2	2			
777	24	PK	D01489	8		31-51-33	D04349J	13		N2	2			
779	24	PK	D01489	35		31-51-33	D04349J	40		N2	2			
780	24	PK	D01489	53		31-51-33	D04349J	2		N2	2			
781	24	PK	D01489	31		31-51-33	D01489	48		N2				
782	24	PK	D01489	18		31-51-33	D01489	22		N2				
783	24	PK	D01489	38		31-51-33	SM00008		W	N2	1			
784	24	PK	D01489	4		31-51-33	SM00011		W	N2	1			
785	24	PK	D01489	37		31-51-33	SM00012		W	N2	1			
786	24	PK	D01489	3		31-51-33	SM00010		W	N2	1			
787	24	PK	D01489	1		31-51-33	SM00009		W	N2	1			
788	24	PK	D01489	6		31-51-33	SM00034		W	N2	1			
789	24	PK	D01489	41		31-51-33	D04509J	11		N2	2			
791	24	PK	D01489	7		31-51-33	D04509J	10		N2	2			
792	24	PK	D01489	40		31-51-33	D04509J	9		N2	2			
793	24	PK	D00819	11		31-51-41	SM00075		W	N2	1			
794	20	PA	D04303J	10		31-51-32	GDX0004	S..	2	N2	2			
795	24	PK	D01433	9		31-51-42	D01433	48		N2				
796	24	PK	D01433	22		31-51-42	D01433	50		N2				
797	24	FV	D00815	41		31-51-21	SM00053		W	N2	1			

286T0045-0AR
Wire Bundle Assembly
Figure 138 (Sheet 17)

25-71-02

WIRE			FROM EQUIPMENT				TO EQUIPMENT				WIRE INFO			
NUMBER	GA	TYP	NUMBER	TERM	TT	WDM REF	NUMBER	TERM	TT	MC/SE	FT	NOTE	EFFECTIVITY	
797Z			D00815	DED		31-51-21	SM00053	DED		N2				
798	24	PV	D04349J	9		31-51-21	SM00053		W	N2	1			
798Z			D04349J	DED		31-51-21	SM00053	DED		N2				
817	24	PK	D00823	55		27-32-12	D11553	6		N2	2			
818	24	PK	D00823	21		27-32-12	D11553	4		N2	2			
819	24	PK	D00823	51		27-32-12	D11553	3		N2	2			
820	24	PK	D00823	50		27-32-12	D11553	2		N2	2			
821	24	PK	D00823	49		27-32-12	D11553	7		N2	2			
822	24	PK	D00823	47		27-32-12	D11553	8		N2	2			
823	24	PK	D00823	46		27-32-12	D11553	9		N2	2			
824	24	PK	D00823	53		27-32-12	D11553	5		N2	2			
825	24	PK	D00823	62		27-32-12	D11553	24		N2	2			
826	24	PK	D01381	55		27-32-22	D11553	16		N2	2			
827	24	PK	D01381	21		27-32-22	D11553	14		N2	2			
828	24	PK	D01381	51		27-32-22	D11553	13		N2	2			
829	24	PK	D01381	50		27-32-22	D11553	12		N2	2			
830	24	PK	D01381	49		27-32-22	D11553	17		N2	2			
831	24	PK	D01381	47		27-32-22	D11553	18		N2	2			
832	24	PK	D01381	46		27-32-22	D11553	19		N2	2			
833	24	PK	D01381	53		27-32-22	D11553	15		N2	2			
834	24	PK	D01381	62		27-32-22	D11553	34		N2	2			
835	24	PK	D04349J	50		27-32-21	D01381	64		N2	2			
836	20	PA	D04349J	53		27-32-21	GDX0002	S..	2	N2	2			
837	24	PK	D00823	42		27-32-12	SM00082		W	N2	1			
838	24	PK	D01381	42		27-32-22	SM00085		W	N2	1			
862	22	PA	D02261	30		31-41-35	GDX0006	S..	2	N2	1			
863	22	PA	D02261	32		31-41-35	GDX0006	S..	2	N2	1			
864	22	PA	D02261	33		31-41-35	GDX0006	S..	2	N2	1			
865	22	PA	D02261	64		31-41-35	GDX0006	S..	2	N2	1			
866	24	PV	D02261	27		31-51-11	SM00018		W	N2	1			
866Z			D02261	DED		31-51-11	SM00018	REF		N2				
867	24	PV	D02261	28		31-51-11	SM00047		W	N2	1			

286T0045-OAR
Wire Bundle Assembly
Figure 138 (Sheet 18)

25-71-02



BOEING
COMPONENT
MAINTENANCE MANUAL

WIRE			FROM EQUIPMENT				TO EQUIPMENT				WIRE INFO			
NUMBER	GA	TYP	NUMBER	TERM	TT	WDM REF	NUMBER	TERM	TT	MC/SE	FT	NOTE	EFFECTIVITY	
867Z			D02261	DED		31-51-11	SM00047	REF		N2				
868	24	FV	D02261	29		31-51-12	SM00054		W	N2	1			
868Z			D02261	DED		31-51-12	SM00054	REF		N2				
869	24	PK	D02261	34		31-51-12	SM00025		W	N2	1			
870	22	PA	D02261	56		31-51-12	GDX0001	S..	2	N2	2			
871	22	PA	D02261	57		31-51-12	GDX0003	S..	2	N2	2			
872	22	PA	D02261	59		31-51-11	GDX0005	S..	2	N2	1			
873	24	PV	D02261	60		31-51-12	SM00055		W	N2	1			
873Z			D02261	DED		31-51-12	SM00055	REF		N2				
874	24	FV	D02261	62		31-51-11	SM00049		W	N2	1			
874Z			D02261	DED		31-51-11	SM00049	REF		N2				
875	24	FV	D02261	63		31-51-12	SM00056		W	N2	1			
875Z			D02261	DED		31-51-12	SM00056	REF		N2				
876	24	PK	D02261	65		31-51-11	SM00022		W	N2	1			
877	24	PV	D00811	14		31-51-11	SM00018		W	N2	2			
877Z			D00811	DED		31-51-11	SM00018	REF		N2				
878	24	FV	D00811	48		31-51-11	SM00047		W	N2	2			
878Z			D00811	DED		31-51-11	SM00047	REF		N2				
879	24	FV	D00811	23		31-51-11	SM00049		W	N2	2			
879Z			D00811	DED		31-51-11	SM00049	REF		N2				
880	24	FV	D00813	14		31-51-12	SM00054		W	N2	2			
880Z			D00813	DED		31-51-12	SM00054	REF		N2				
881	24	FV	D00813	48		31-51-12	SM00055		W	N2	2			
881Z			D00813	DED		31-51-12	SM00055	REF		N2				
882	24	FV	D00813	23		31-51-12	SM00056		W	N2	2			
882Z			D00813	DED		31-51-12	SM00056	REF		N2				
883	22	PA	D02261	15		38-32-11	D04349J	26		N2	2			
884	22	PA	D02261	47		38-32-11	D04347J	27		N2	2			
885	24	PK	D04303J	9		31-51-21	SM00057		W	N2	1			
886	24	PK	D04507J	3		31-51-21	SM00058		W	N2	1			
887	24	PK	D04507J	1		31-51-21	SM00058		W	N2	1			
888	24	PK	SM00057		W	31-51-21	D04349J	44		N2	1			

286T0045-0AR
Wire Bundle Assembly
Figure 138 (Sheet 19)

25-71-02

WIRE			FROM EQUIPMENT				TO EQUIPMENT				WIRE INFO			
NUMBER	GA	TYP	NUMBER	TERM	TT	WDM REF	NUMBER	TERM	TT	EMC/ SEP	FT	NOTE	EFFECTIVITY	
FRB			D00813			31-51-12	D00813	59		N2				
FRD			D00811			31-51-11	D00811	59		N2				
FRG			D04349J	58		31-41-35	D04349J			N2				
FRH			D04349J	61		28-41-11	D04349J			N2				
PA1			D00815	47		99-99-99	D00815	63		N2		DAW-B2		
PA2			D00817	8		99-99-99	D00817	57		N2		DAW-B2		
PA3			D00819	41		99-99-99	D00819	55		N2		DAW-B2		
PA4			D00821	43		99-99-99	D00821	60		N2		DAW-B2		
PA5			D00823	52		99-99-99	D00823	65		N2		DAW-B2		
PA6			D01433	44		99-99-99	D01433	61		N2		DAW-B2		
PA7			D01381	52		99-99-99	D01381	65		N2		DAW-B2		
PA8			D01487	8		99-99-99	D01487	57		N2		DAW-B2		
PA9			D01489	56		99-99-99	D01489	65		N2		DAW-B2		
PB4			D02261	54		99-99-99	D02261	61		N2		DAW-B2		
P01		SE	D11553							N2				
1	22	FA	D00811	60		31-51-11	GDX0001	S..	2	N2	3	UAE-F2		
2	22	FA	D00821	14		31-51-11	GDX0002	D..	2	N2	2			
3	24	PV	D00811	26		31-51-11	D00821	27		N2	3			
003Z			D00811	DED		31-51-11	D00821			N2				
4	24	PV	D00811	49		31-51-11	D00821	32		N2	3			
004Z			D00811	DED		31-51-11	D00821			N2				
5	24	PV	D00811	35		31-51-11	D00821	17		N2	3			
005Z			D00811	DED		31-51-11	D00821			N2				
6	24	PK	SM00022		W	31-51-11	D00821	51		N2	1			
7	24	PK	D00811	65		31-51-11	SM00022			N2	2			
8	24	PK	D00819	37		31-51-11	SM00022		W	N2	1			
9	24	PV	D00819	27		31-51-11	D00811	13		N2	3			
009Z			D00811	DED		31-51-11	D00819			N2				
10	22	FA	D00819	14		31-51-11	GDX0001	D..	2	N2	2			
11	24	PK	D01433	51		31-51-11	SM00022		W	N2	1			
12	24	PV	SM00018		W	31-51-11	D01433	27		N2	1			

286T0045-0AZ
Wire Bundle Assembly
Figure 139 (Sheet 1)

25-71-02

BOEING
 COMPONENT
 MAINTENANCE MANUAL

WIRE			FROM EQUIPMENT				TO EQUIPMENT				WIRE INFO			
NUMBER	GA	TYP	NUMBER	TERM	TT	WDM REF	NUMBER	TERM	TT	EMC/ SEP	FT	NOTE	EFFECTIVITY	
012Z			SM00018	REF		31-51-11	D01433			N2				
13	24	PV	SM00047		W	31-51-11	D01433	32		N2	1			
013Z			SM00047	REF		31-51-11	D01433			N2				
14	24	PV	SM00049		W	31-51-11	D01433	17		N2	1			
014Z			SM00049	REF		31-51-11	D01433			N2				
15	22	PA	D01433	14		31-51-11	GDX0001	D..	2	N2	2			
16	20	PA	SM00028		W	31-51-11	GDX0005	D..	2	N2	2			
17	20	UA	GDX0002	S..	2	31-51-11	D00821			N2	2			
18	20	UA	GDX0005	S..	2	31-51-11	D00819			N2	2			
19	20	UA	D01433			31-51-11	GDX0002	S..	2	N2	2			
20	20	PA	GDX0005	D..	2	31-51-11	SM00029		W	N2	2			
21	20	UA	GDX0002	S..	2	31-51-11	D01503			N2	2			
23	20	UA	D00815			31-51-11	GDX0002	S..	2	N2	2			
24	24	PK	D04349J	38		31-51-11	SM00005		W	N2	1			
25	24	PK	D01503	A2		31-51-11	SM00005		W	N2	1			
26	20	PA	D01503	A3		31-51-11	GDX0003	D..	2	N2	2			
27	22	PQ	D01503	X2		31-51-11	D00811	75		N2	3			
027Z			D00811	DED		31-51-11	D01503			N2				
28	24	PV	D01503	X1		31-51-11	SM00015		W	N2	1			
028Z			SM00015	REF		31-51-11	D01503			N2				
29	24	PV	D00811	46		31-51-11	SM00015		W	N2	2			
029Z			SM00015	REF		31-51-11	D00811	DED		N2				
30	24	PK	SM00015		W	31-51-11	D11553	35		N2	1			
32	20	PA	D11553	11		31-51-11	GDX0003	D..	2	N2	2			
33	24	PK	D11553	37		31-51-11	D00811	34		N2	3			
34	24	PK	D11553	36		31-51-11	D00811	33		N2	3			
35	22	PA	D00815	14		31-51-11	GDX0001	D..	2	N2	2			
36	24	PV	D00815	27		31-51-11	D00811	12		N2	3			
036Z			D00811	DED		31-51-11	D00815			N2				
37	24	PV	D00815	32		31-51-11	D00811	17		N2	3			
037Z			D00811	DED		31-51-11	D00815			N2				

286T0045-0AZ
 Wire Bundle Assembly
 Figure 139 (Sheet 2)

25-71-02

WIRE			FROM EQUIPMENT			TO EQUIPMENT			WIRE INFO				
NUMBER	GA	TYP	NUMBER	TERM	TT	WDM REF	NUMBER	TERM	TT	INC/SEP	FT	NOTE	EFFECTIVITY
38	24	FV	D00815	17		31-51-11	D00811	22		N2	3		
038Z			D00811	DED		31-51-11	D00815			N2			
39	24	PK	D00815	54		31-51-11	SM00020		W	N2	1		
40	24	PK	D00811	63		31-51-11	SM00020		W	N2	2		
41	24	PK	D00823	35		31-51-11	SM00020		W	N2	1		
42	24	PK	D01381	35		31-51-11	SM00020		W	N2	1		
45	22	PA	D01381	14		31-51-11	GDX0001	D..	2	N2	2		
46	22	PA	D01381	48		31-51-11	GDX0003	D..	2	N2	2		
47	24	FV	D01381	27		31-51-11	D00811	11		N2	3		
047Z			D00811	DED		31-51-11	D01381			N2			
48	24	FV	D01381	32		31-51-11	D00811	16		N2	3		
048Z			D00811	DED		31-51-11	D01381			N2			
49	24	FV	D01381	17		31-51-11	D01381	21		N2	3		
049Z			D00811	DED		31-51-11	D01381			N2			
52	22	PA	D00823	14		31-51-11	GDX0001	D..	2	N2	2		
53	22	PA	D00823	48		31-51-11	GDX0003	D..	2	N2	2		
54	24	FV	D00823	27		31-51-11	D00811	10		N2	3		
054Z			D00811	DED		31-51-11	D00823			N2			
55	24	FV	D00823	32		31-51-11	D00811	15		N2	3		
055Z			D00811	DED		31-51-11	D00823			N2			
56	24	PV	D00823	17		31-51-11	D00811	20		N2	3		
056Z			D00811	DED		31-51-11	D00823			N2			
57	22	PA	D00817	14		31-51-11	GDX0002	D..	2	N2	2		
58	24	PV	D00817	27		31-51-11	D00811	51		N2	3		
058Z			D00811	DED		31-51-11	D00817			N2			
59	24	FV	D00817	32		31-51-11	D00811	74		N2	3		
059Z			D00811	DED		31-51-11	D00817			N2			
60	24	PK	D00817	45		31-51-11	SM00021		W	N2	1		
61	24	PK	D00811	64		31-51-11	SM00021		W	N2	2		
62	24	PK	D01489	16		31-51-11	SM00021		W	N2	1		
63	24	PK	D01487	45		31-51-11	SM00021		W	N2	1		

286T0045-0AZ
Wire Bundle Assembly
Figure 139 (Sheet 3)

25-71-02



BOEING
COMPONENT
MAINTENANCE MANUAL

WIRE			FROM EQUIPMENT			TO EQUIPMENT			WIRE INFO				
NUMBER	GA	TYP	NUMBER	TERM	TT	WDM REF	NUMBER	TERM	TT	EMC/SEP	FT	NOTE	EFFECTIVITY
64	24	PV	D01487	27		31-51-11	D00811	47		N2	3		
064Z			D00811	DED		31-51-11	D01487			N2			
65	24	PV	D01487	32		31-51-11	D00811	70		N2	3		
065Z			D00811	DED		31-51-11	D01487			N2			
66	22	PA	D01487	14		31-51-11	GDX0003	D..	2	N2	2		
67	24	FV	D01489	27		31-51-11	D00811	45		N2	3		
067Z			D00811	DED		31-51-11	D01489			N2			
68	24	FV	D01489	32		31-51-11	D00811	50		N2	3		
068Z			D00811	DED		31-51-11	D01489			N2			
69	24	FV	D01489	17		31-51-11	D00811	36		N2	3		
069Z			D00811	DED		31-51-11	D01489			N2			
70	22	PA	D01489	14		31-51-11	GDX0003	D..	2	N2	2		
71	20	UA	D01381			31-51-11	GDX0002	S..	2	N2	2		
72	20	UA	D00823			31-51-11	GDX0002	S..	2	N2	2		
73	20	UA	D00817			31-51-11	GDX0002	S..	2	N2	2		
74	20	PA	SM00026		W	31-51-11	GDX0005	D..	2	N2	2		
75	20	UA	D01487			31-51-11	GDX0005	S..	2	N2	2		
76	20	UA	GDX0005	S..	2	31-51-11	D01489			N2	2		
77	24	PK	D02261	40		31-41-35	D04349J	1		N2	2		
78	20	PA	SM00027		W	31-51-11	GDX0005	D..	2	N2	2		
79	22	PA	D00813	60		31-51-12	GDX0003	S..	2	N2	2		
80	22	PA	D00821	15		31-51-12	GDX0002	D..	2	N2	2		
81	24	FV	D00821	30		31-51-12	D00813	26		N2	3		
081Z			D00813	DED		31-51-12	D00821			N2			
82	24	PV	D00821	33		31-51-12	D00813	49		N2	3		
082Z			D00813	DED		31-51-12	D00821			N2			
83	24	FV	D00821	24		31-51-12	D00813	35		N2	3		
083Z			D00813	DED		31-51-12	D00821			N2			
84	24	PK	D00821	19		31-51-12	SM00025		W	N2	1		
85	24	PK	D00813	65		31-51-12	SM00025		W	N2	2		
86	24	PK	D00819	3		31-51-12	SM00025		W	N2	1		

286T0045-0AZ
Wire Bundle Assembly
Figure 139 (Sheet 4)

25-71-02

WIRE			FROM EQUIPMENT				TO EQUIPMENT				WIRE INFO			
NUMBER	GA	TYP	NUMBER	TERM	TT	WDM REF	NUMBER	TERM	TT	EMC/SEP	FT	NOTE	EFFECTIVITY	
87	24	PK	D01433	18		31-51-12	SM00025		W	N2	1			
88	22	PA	D01433	15		31-51-12	GDX0002	D..	2	N2	2			
89	24	PV	D01433	30		31-51-12	SM00054		W	N2	1			
089Z			SM00054	REF		31-51-12	D01433		W	N2	1			
90	24	PV	D01433	33		31-51-12	SM00055		W	N2	1			
090Z			SM00055	REF		31-51-12	D01433		W	N2	1			
91	24	PV	D01433	24		31-51-12	SM00056		W	N2	1			
091Z			SM00056	REF		31-51-12	D01433		W	N2	1			
92	22	PA	D00819	15		31-51-12	GDX0002	D..	2	N2	2			
93	24	PV	D00819	30		31-51-12	D00813	13	2	N2	3			
093Z			D00813	DED	W	31-51-12	D00819		2	N2	2			
94	20	PA	SM00032			31-51-12	GDX0005	D..	2	N2	3			
95	24	PV	D01505	X2		31-51-12	D00813	75	2	N2	3			
095Z			D00813	DED		31-51-12	D01505		W	N2	1			
96	24	PV	D01505	X1		31-51-12	SM00016		W	N2	2			
096Z			SM00016	REF		31-51-12	D01505		W	N2	2			
97	24	PV	D00813	46		31-51-12	SM00016		W	N2	2			
097Z			SM00016	REF		31-51-12	D00813	DED	2	N2	2			
98	20	PA	SM00033		W	31-51-12	GDX0005	D..	2	N2	1			
99	24	PK	SM00016		W	31-51-12	D11553	25	2	N2	2			
10A	24	PK	D01489	21		31-51-33	D04349J	44	2	N2	2			
100	20	PA	D11553	1		31-51-12	GDX0003	D..	2	N2	2			
101	20	UA	D00821			31-51-12	GDX0004	S..	2	N2	2			
102	20	UA	D00819			31-51-12	GDX0004	S..	2	N2	2			
103	20	UA	D01433			31-51-12	GDX0004	S..	2	N2	2			
104	20	UA	D01505			31-51-12	GDX0005	S..	2	N2	2			
106	20	UA	D00815			31-51-12	GDX0004	S..	2	N2	2			
107	20	UA	D01381			31-51-12	GDX0004	S..	2	N2	2			
109	20	UA	D00817			31-51-12	GDX0004	S..	2	N2	2			
110	20	UA	D01487			31-51-12	GDX0001	S..	2	N2	2			
111	20	UA	D01489			31-51-12	GDX0001	S..	2	N2	2			

286T0045-0AZ
Wire Bundle Assembly
Figure 139 (Sheet 5)

25-71-02



BOEING
COMPONENT
MAINTENANCE MANUAL

WIRE			FROM EQUIPMENT			TO EQUIPMENT			WIRE INFO				
NUMBER	GA	TYP	NUMBER	TERM	TT	WDM REF	NUMBER	TERM	TT	EMC/ SEP	FT	NOTE	EFFECTIVITY
112	22	PA	D00815	15		31-51-12	GDX0001	D..	2	N2	2		
113	24	PK	D01505	A2		31-51-12	SM00005		W	N2	1		
114	20	PA	D01505	A3		31-51-12	GDX0003	D..	2	N2	2		
116	24	PK	D00815	21		31-51-12	SM00023		W	N2	1		
117	24	PK	D00813	63		31-51-12	SM00023		W	N2	2		
118	24	PK	D00823	1		31-51-12	SM00023		W	N2	1		
119	24	PK	D01381	1		31-51-12	SM00023		W	N2	1		
120	22	PA	D01381	15		31-51-12	GDX0001	D..	2	N2	2		
121	24	PK	D00817	56		31-51-12	SM00024		W	N2	1		
122	24	PK	D00813	64		31-51-12	SM00024		W	N2	2		
123	24	PK	D01487	56		31-51-12	SM00024		W	N2	1		
124	22	PA	D00823	15		31-51-12	GDX0001	D..	2	N2	2		
125	20	UA	D00823			31-51-12	GDX0004	S..	2	N2	2		
126	24	PV	D00823	33		31-51-12	D00813	15		N2	3		
126Z			D00823			31-51-12	D00813	DED		N2			
127	24	PV	D00823	24		31-51-12	D00813	20		N2	3		
127Z			D00823			31-51-12	D00813	DED		N2			
128	22	PA	D00817	15		31-51-12	GDX0002	D..	2	N2	2		
129	24	PV	D00817	30		31-51-12	D00813	51		N2	3		
129Z			D00817			31-51-12	D00813	DED		N2			
130	24	PV	D00817	33		31-51-12	D00813	74		N2	3		
130Z			D00817			31-51-12	D00813	DED		N2			
131	24	PV	D00813	11		31-51-12	D01381	30		N2	3		
131Z			D01381			31-51-12	D00813	DED		N2			
132	24	PV	D00813	16		31-51-12	D01381	33		N2	3		
132Z			D01381			31-51-12	D00813	DED		N2			
133	24	PV	D01381	24		31-51-12	D00813	21		N2	3		
133Z			D01381			31-51-12	D00813	DED		N2			
134	24	PK	D01489	50		31-51-12	SM00024		W	N2	1		
135	24	PV	D01487	30		31-51-12	D00813	47		N2	3		
135Z			D01487			31-51-12	D00813	DED		N2			

286T0045-0AZ
Wire Bundle Assembly
Figure 139 (Sheet 6)

25-71-02

WIRE			FROM EQUIPMENT			TO EQUIPMENT			WIRE INFO				
NUMBER	GA	TYP	NUMBER	TERM	TT	WDM REF	NUMBER	TERM	TT	EMC/ SEP	FT	NOTE	EFFECTIVITY
136	24	FV	D01487	33		31-51-12	D00813	70		N2	3		
136Z			D01487			31-51-12	D00813	DED		N2			
137	22	PA	D01487	15		31-51-12	GDX0003	D..	2	N2	2		
138	24	FV	D01489	30		31-51-12	D00813	45		N2	3		
138Z			D01489			31-51-12	D00813	DED		N2			
139	24	PV	D01489	33		31-51-12	D00813	50		N2	3		
139Z			D01489			31-51-12	D00813	DED		N2			
140	24	PV	D01489	24		31-51-12	D00813	36		N2	3		
140Z			D01489			31-51-12	D00813	DED		N2			
141	22	PA	D01489	15		31-51-12	GDX0003	D..	2	N2	2		
142	24	PK	D00813	33		31-51-12	D11553	26		N2	3		
143	24	PK	D11553	27		31-51-12	D00813	34		N2	3		
144	24	PV	D00813	12		31-51-12	D00815	30		N2	3		
144Z			D00813	DED		31-51-12	D00815			N2			
145	20	PA	SM00030		W	31-51-12	GDX0005	D..	2	N2			
146	24	PV	D00813	17		31-51-12	D00815	33		N2	3		
146Z			D00813	DED		31-51-12	D00815			N2			
147	24	FV	D00813	22		31-51-12	D00815	24		N2	3		
147Z			D00813	DED		31-51-12	D00815			N2			
148	24	PV	D00813	10		31-51-12	D00823	30		N2	3		
148Z			D00813	DED		31-51-12	D00823			N2			
149	20	PA	SM00031		W	31-51-12	GDX0005	D..	2	N2			
150	22	PA	D04301J	6		27-32-11	D00823	34		N2	2		
151	24	PK	D04509J	1		27-32-11	D00823	39		N2	2		
152	24	PK	D04347J	26		27-32-11	D00823	40		N2	2		
153	24	PK	D00823	31		27-32-11	D04509J	6		N2	2		
154	20	PA	D04509J	7		27-32-11	GDX0001	D..	2	N2	2		
155	24	PK	SM00037		W	27-32-11	D04511J	3		N2	1		
156	24	PK	D00823	38		27-32-11	D04511J	2		N2	2		
157	24	PK	D04511J	4		27-32-11	SM00050		W	N2	1		
158	24	PK	SM00037		W	27-32-11	D00823	4		N2	1		

286T0045-0AZ
Wire Bundle Assembly
Figure 139 (Sheet 7)

25-71-02



BOEING
COMPONENT
MAINTENANCE MANUAL

WIRE			FROM EQUIPMENT				TO EQUIPMENT				WIRE INFO			
NUMBER	GA	TYP	NUMBER	TERM	TT	WDM REF	NUMBER	TERM	TT	EMC / SEP	FT	NOTE	EFFECTIVITY	
159	24	PK	D04349J	14		27-32-11	D00823	36		N2	1			
160	24	PK	D04349J	15		27-32-11	D00823	3		N2	1			
161	24	PK	D04349J	16		27-32-11	D00823	43		N2	1			
162	24	PK	D04349J	10		27-32-11	D00823	2		N2	1			
165	22	PA	D04349J	11		27-32-21	D01381	34		N2	2			
166	24	PK	D01381	40		27-32-21	D04349J	6		N2	2			
167	24	PK	D01381	31		27-32-21	D04511J	7		N2	2			
168	20	PA	GDX0002	D..	2	27-32-21	D04511J	8		N2	2			
169	24	PK	D04349J	34		27-32-21	D01381	36		N2	2			
170	24	PK	D04349J	35		27-32-21	D01381	3		N2	2			
171	24	PK	D04349J	36		27-32-21	D01381	43		N2	2			
172	24	PK	D04349J	37		27-32-21	D01381	2		N2	2			
173	24	PK	D04511J	13		27-32-21	D01381	4		N2	2			
174	24	PK	D04511J	16		27-32-21	D01381	37		N2	2			
175	24	PK	D04511J	15		27-32-21	D01381	38		N2	2			
176	24	PK	D04509J	8		27-32-21	D01381	39		N2	2			
177	24	PK	D00815	34		31-51-21	SM00057		W	N2	1			
178	24	PK	D00815	43		31-51-21	D01433	19		N2	2			
179	24	PK	D00815	10		31-51-21	D00819	5		N2	2			
180	24	PK	D04507J	5		31-51-21	SM00034		W	N2	1			
181	24	PK	SM00058		W	31-51-21	D00815	66		N2	1			
182	24	PK	D00815	4		31-51-21	SM00034		W	N2	1			
183	24	PK	D00815	11		31-51-21	D04349J	39		N2	2			
184	22	PA	D00815	37		31-51-21	SM00035		W	N2	1			
185	22	PA	D00815	42		31-51-21	SM00036		W	N2	1			
186	24	PK	D04349J	5		31-51-21	SM00012		W	N2	1			
187	24	PK	D00815	2		31-51-21	SM00012		W	N2	1			
188	24	PK	SM00011		W	31-51-21	SM00012		W	N2	1			
189	24	PK	SM00011		W	31-51-21	D04349J	4		N2	1			
192	24	PK	D04347J	10		31-51-21	D00815	35		N2	1			
193	24	PK	D00815	1		31-51-21	SM00008		W	N2	1			

286T0045-0AZ
Wire Bundle Assembly
Figure 139 (Sheet 8)

25-71-02

WIRE			FROM EQUIPMENT				TO EQUIPMENT				WIRE INFO			
NUMBER	GA	TYP	NUMBER	TERM	TT	WDM REF	NUMBER	TERM	TT	ENC/ SEP	FT	NOTE	EFFECTIVITY	
194	24	PK	D04347J	11		31-51-21	SM00010		W	N2	1			
195	24	PK	D00815	36		31-51-21	SM00010		W	N2	1			
196	24	PK	SM00039		W	31-51-21	D04347J	21		N2	1			
197	24	PK	D00815	45		31-51-21	SM00039		W	N2	1			
198	24	PK	D00815	46		31-51-21	D04347J	6		N2	2			
199	20	PA	GDX0004	S..	2	31-51-31	D04597J	14		N2	2			
201B	24	PW	D01489	43		31-51-33	SM00004		W	N2	1			
201R	24	PW	D01489	9		31-51-33	SM00003		W	N2				
201Z			D01489	DED		31-51-33	SM00003	REF		N2				
204	20	UA	D04507J			27-32-11	GDX0004	S..	2	N2	2			
204B	24	PW	D00823	18		27-32-11	D04507J	12		N2	1			
204R	24	PW	D00823	16		27-32-11	D04507J	11		N2				
204Z			D04507J			27-32-11	D00823	DED		N2				
205B	24	PW	D00815	19		31-51-21	SM00007		W	N2	1			
205R	24	PW	D00815	52		31-51-21	SM00006		W	N2				
205Z			D00815	DED		31-51-21	SM00006	REF		N2				
207	20	UA	D04597J			31-51-21	GDX0004	S..	2	N2	2			
207B	24	PW	SM00007		W	31-51-21	D04597J	4		N2	1			
207R	24	PW	SM00006		W	31-51-21	D04597J	3		N2				
207Z			SM00006	REF		31-51-21	D04597J			N2				
208	20	UA	D04301J			34-16-11	GDX0002	S..	2	N2	2			
208B	24	PW	D00821	36		34-16-11	D04301J	9		N2	2			
208R	24	PW	D00821	2		34-16-11	D04301J	8		N2				
208Z			D00821	DED		34-16-11	D04301J			N2				
209B	24	PW	D01489	46		31-51-33	SM00007		W	N2	1			
209R	24	PW	D01489	12		31-51-33	SM00006		W	N2				
209Z			D01489	DED		31-51-33	SM00006	REF		N2		ZSZ-B6		
212B	24	PW	D01433	36		31-51-42	SM00007		W	N2	1			
212R	24	PW	D01433	2		31-51-42	SM00006		W	N2				
212Z			D01433	DED		31-51-42	SM00006	REF		N2				
213	20	UA	D04507J			34-16-11	GDX0004	S..	2	N2	2			

286T0045-0AZ
Wire Bundle Assembly
Figure 139 (Sheet 9)

25-71-02



BOEING
COMPONENT
MAINTENANCE MANUAL

WIRE			FROM EQUIPMENT			TO EQUIPMENT			WIRE INFO				
NUMBER	GA	TYP	NUMBER	TERM	TT	WDM REF	NUMBER	TERM	TT	EMC/ SEP	FT	NOTE	EFFECTIVITY
213B	24	PW	D00821	35		34-16-11	D04507J	8		N2	2		
213R	24	PW	D00821	1		34-16-11	D04507J	9		N2			
213Z	24	PW	D00821	DED		34-16-11	D04507J			N2			
214	20	UA	D04349J			34-16-11	GDX0004	S..	2	N2	2		
214B	24	PW	D00821	37		34-16-11	D04349J	19		N2	2		
214R	24	PW	D00821	3		34-16-11	D04349J	18		N2			
214Z	24	PW	D00821	DED		34-16-11	D04349J			N2			
215B	24	PL	D01487	24		31-51-31	D04597J	12		N2	2		
215R	24	PL	D01487	23		31-51-31	D04597J	13		N2			
216B	24	PL	D00817	24		31-51-32	D04303J	12		N2	2		
216R	24	PL	D00817	23		31-51-32	D04303J	11		N2			
221B	24	PW	D01489	45		31-51-33	SM00004		W	N2	1		
221R	24	PW	D01489	11		31-51-33	SM00003		W	N2			
221Z	24	PW	D01489	DED		31-51-33	SM00003	REF		N2			
223B	24	PW	D00821	38		34-16-11	SM00004		W	N2	1		
223R	24	PW	D00821	4		34-16-11	SM00003		W	N2			
223Z	24	PW	D00821	DED		34-16-11	SM00003	REF		N2			
224	20	UA	D04349J			27-32-21	GDX0004	S..	2	N2	2		
224B	24	PW	D04349J	28		27-32-21	D01381	18		N2	2		
224R	24	PW	D04349J	27		27-32-21	D01381	16		N2			
224Z	24	PW	D04349J			27-32-21	D01381	DED		N2			
225B	22	PR	D00811	69		31-51-11	SM00060		W	N2	2		
225R	22	PR	D00811	68		31-51-11	SM00060		W	N2			
225Z	22	PR	D00811	DED		31-51-11	SM00028	REF		N2			
226B	22	PR	D00813	69		31-51-12	SM00061		W	N2	2		
226R	22	PR	D00813	68		31-51-12	SM00061		W	N2			
226Z	22	PR	D00813	DED		31-51-12	SM00030	REF		N2			
230	20	UA	D04347J			31-51-33	GDX0003	S..	2	N2	2		
230B	24	PW	D04347J	18		31-51-33	SM00004		W	N2	1		
230R	24	PW	D04347J	17		31-51-33	SM00003		W	N2			
230Z	24	PW	D04347J			31-51-33	SM00003	REF		N2			

286T0045-0AZ
Wire Bundle Assembly
Figure 139 (Sheet 10)

25-71-02

WIRE			FROM EQUIPMENT			TO EQUIPMENT			WIRE INFO				
NUMBER	GA	TYP	NUMBER	TERM	TT	WDM REF	NUMBER	TERM	TT	EMC/ SEP	FT	NOTE	EFFECTIVITY
236	20	UA	D04347J			27-32-11	GDX0001	S..	2	N2	2		
236B	24	PW	D04347J	37		27-32-11	D00823	54		N2	2		
236R	24	PW	D04347J	36		27-32-11	D00823	23		N2			
236Z			D04347J			27-32-11	D00823	DED		N2			
237B	24	PW	D04347J	40		27-32-11	D00823	13		N2	2		
237R	24	PW	D04347J	39		27-32-11	D00823	12		N2			
237Z			D04347J			27-32-11	D00823	DED		N2			
238	20	UA	D04349J			27-32-21	GDX0001	S..	2	N2	2		
238B	24	PW	D04349J	49		27-32-21	D01381	54		N2	2		
238R	24	PW	D04349J	48		27-32-21	D01381	23		N2			
238Z			D04349J			27-32-21	D01381	DED		N2			
239B	24	PW	D01381	20		27-32-21	D04349J	55		N2	2		
239R	24	PW	D01381	19		27-32-21	D04349J	54		N2			
239Z			D01381	DED		27-32-21	D04349J			N2			
240B	24	PL	D04347J	23		31-51-31	SM00080		W	N2	1		
240R	24	PL	D04347J	22		31-51-31	SM00042		W	N2			
241B	24	PL	D01487	60		31-51-31	SM00080		W	N2	1		
241R	24	PL	D01487	28		31-51-31	SM00042		W	N2			
242B	24	PL	D00817	60		31-51-32	SM00080		W	N2	1		
242R	24	PL	D00817	28		31-51-32	SM00042		W	N2			
243B	24	PW	D04349J	52		27-32-21	D01381	13		N2	2		
243R	24	PW	D04349J	51		27-32-21	D01381	12		N2			
243Z			D04349J			27-32-21	D01381	DED		N2			
245B	24	PW	D00823	20		27-32-11	D04347J	48		N2	2		
245R	24	PW	D00823	19		27-32-11	D04347J	47		N2			
245Z			D00823	DED		27-32-11	D04347J			N2			
247	20	UA	D04349J			31-41-35	GDX0006	S..	2	N2	2		
247B	24	PW	D02261	42		31-41-35	D04349J	57		N2	2		
247R	24	PW	D02261	43		31-41-35	D04349J	56		N2			
247Z			D02261	DED		31-41-35	D04349J			N2			
248	20	UA	D04349J			28-41-11	GDX0006	S..	2	N2	2		

286T0045-0AZ
Wire Bundle Assembly
Figure 139 (Sheet 11)

25-71-02



BOEING
COMPONENT
MAINTENANCE MANUAL

WIRE			FROM EQUIPMENT			TO EQUIPMENT			WIRE INFO				
NUMBER	GA	TYP	NUMBER	TERM	TT	WDM REF	NUMBER	TERM	TT	EMC/SEP	FT	NOTE	EFFECTIVITY
248B	24	PW	D02261	5		28-41-11	D04349J	60		N2	2		
248R	24	PW	D02261	8		28-41-11	D04349J	59		N2			
248Z			D02261	DED		28-41-11	D04349J			N2			
271B	24	PL	D04597J	5		31-51-31	SM00088		W	N2	1		
271R	24	PL	D04597J	2		31-51-31	SM00087		W	N2			
272B	24	PL	D01487	63		31-51-31	SM00088		W	N2	1		
272R	24	PL	D01487	62		31-51-31	SM00087		W	N2			
273B	24	PL	D00817	63		31-51-32	SM00088		W	N2	1		
273R	24	PL	D00817	62		31-51-32	SM00087		W	N2			
301	20	UA	SM00028	REF		31-51-11	GDX0005	S..	2	N2	1		
301B	22	PS	D00811	57		31-51-11	SM00028		W	N2	2		
301R	22	PS	D00811	38		31-51-11	SM00028		W	N2			
301Y	22	PS	D00811	58		31-51-11	SM00028		W	N2			
301Z			D00811	DED		31-51-11	SM00028	REF		N2	2		
302B	22	PS	D00811	42		31-51-11	SM00029		W	N2			
302R	22	PS	D00811	41		31-51-11	SM00029		W	N2			
302Y	22	PS	D00811	43		31-51-11	SM00029		W	N2			
302Z			D00811	DED		31-51-11	SM00028	REF		N2			
303B	22	PS	D00811	8		31-51-11	SM00026		W	N2	2		
303R	22	PS	D00811	7		31-51-11	SM00026		W	N2			
303Y	22	PS	D00811	9		31-51-11	SM00026		W	N2			
303Z			D00811	DED		31-51-11	SM00028	REF		N2	2		
304B	22	PS	D00811	25		31-51-11	SM00027		W	N2			
304R	22	PS	D00811	24		31-51-11	SM00027		W	N2			
304Y	22	PS	D00811	37		31-51-11	SM00027		W	N2			
304Z			D00811	DED		31-51-11	SM00028	REF		N2			
305	20	UA	SM00030	REF		31-51-12	GDX0005	S..	2	N2	1		
305B	22	PS	D00813	8		31-51-12	SM00030		W	N2	2		
305R	22	PS	D00813	7		31-51-12	SM00030		W	N2			
305Y	22	PS	D00813	9		31-51-12	SM00030		W	N2			
305Z			D00813	DED		31-51-12	SM00030	REF		N2			

286T0045-0AZ
Wire Bundle Assembly
Figure 139 (Sheet 12)

25-71-02

TESTING & TROUBLE SHOOTING

01

Page 190I

Nov 01/02

WIRE			FROM EQUIPMENT			TO EQUIPMENT			WIRE INFO				
NUMBER	GA	TYP	NUMBER	TERM	TT	WDM REF	NUMBER	TERM	TT	EMC/ SEP	FT	NOTE	EFFECTIVITY
306B	22	PS	D00813	25		31-51-12	SM00031		W	N2	2		
306R	22	PS	D00813	24		31-51-12	SM00031		W	N2			
306Y	22	PS	D00813	37		31-51-12	SM00031		W	N2			
306Z			D00813	DED		31-51-12	SM00030	REF		N2	2		
307B	22	PS	D00813	57		31-51-12	SM00032		W	N2			
307R	22	PS	D00813	38		31-51-12	SM00032		W	N2			
307Y	22	PS	D00813	58		31-51-12	SM00032		W	N2			
307Z			D00813	DED		31-51-12	SM00030	REF		N2	2		
308B	22	PS	D00813	42		31-51-12	SM00033		W	N2			
308R	22	PS	D00813	41		31-51-12	SM00033		W	N2			
308Y	22	PS	D00813	43		31-51-12	SM00033		W	N2			
308Z			D00813	DED		31-51-12	SM00030	REF		N2	2		
512	24	PK	D02261	20		27-81-31	D04349J	8		N2	2		
516	24	PK	D04347J	50		26-16-31	D02261	6		N2	2		
517	24	PK	D04349J	26		26-16-31	D02261	39		N2	2		
601	20	PA	SM00060		W	31-51-11	GDX0004	D..	2	N2			
602	20	PA	SM00061		W	31-51-12	GDX0005	D..	2	N2	1		
603	24	PV	D04301J	5		31-51-12	M01103	INE	D	N2			
603Z			D04301J	DED		31-51-12	M01103	GND	D	N2	3		
604	24	PV	D04301J	4		31-51-12	D00813	4		N2			
604Z			D04301J	DED		31-51-12	D00813			N2	3		
605	24	PV	D00813	1		31-51-12	M01103	OAD	D	N2	3		
605Z			D00813			31-51-12	M01103	DED		N2			
606	24	PV	D04349J	32		31-51-11	M01102	INE	D	N2	1		
606Z			D04349J	DED		31-51-11	M01102	GND	D	N2	3		
607	24	PV	D04349J	33		31-51-11	D00811	4		N2			
607Z			D04349J	DED		31-51-11	D00811			N2	3		
608	24	PV	D00811	1		31-51-11	M01102	OAD	D	N2	3		
608Z			D00811			31-51-11	M01102	DED		N2			
610	24	PK	D00823	37		27-32-11	SM00050		W	N2	1		
611	24	PK	D01433	6		31-51-42	D04347J	20		N2	2		

286T0045-0AZ
Wire Bundle Assembly
Figure 139 (Sheet 13)

25-71-02



BOEING
COMPONENT
MAINTENANCE MANUAL

WIRE			FROM EQUIPMENT			TO EQUIPMENT			WIRE INFO				
NUMBER	GA	TYP	NUMBER	TERM	TT	WDM REF	NUMBER	TERM	TT	EMC/ SEP	FT	NOTE	EFFECTIVITY
612	24	PK	D01433	4		31-51-42	SM00050		W	N2	1		
613	24	PK	D04349J	30		31-51-31	SM00065		W	N2	1		
614	24	PK	D01487	52		31-51-31	SM00065		W	N2	1		
615	24	PK	D00817	52		31-51-32	SM00065		W	N2	1		
617	24	PK	D01381	11		27-32-12	D00823	56		N2	1		
618	24	PK	D01381	56		27-32-12	D00823	11		N2	1		
619	24	PK	D00823	45		27-32-12	SM00082		W	N2	1		
620	24	PK	D04349J	29		31-51-21	SM00071		W	N2	1		
621	24	PK	D00815	7		31-51-21	SM00071		W	N2	1		
622	24	PK	D01489	2		31-51-33	SM00071		W	N2	1		
623	24	PK	D01489	36		31-51-33	SM00038		W	N2	1		
624	24	PK	D00815	8		31-51-21	SM00045		W	N2	1		
625	24	PK	D01487	9		31-51-31	SM00034		W	N2	1		
628	22	PA	D01487	20		31-51-31	GDX0006	D..	2	N2	2		
629	22	PA	D01487	53		31-51-31	GDX0006	D..	2	N2	2		
630	22	PA	D01487	21		31-51-31	GDX0006	D..	2	N2	2		
631	24	PK	D00817	9		31-51-32	SM00034		W	N2	1		
634	22	PA	D00817	20		31-51-32	GDX0006	D..	2	N2	2		
635	22	PA	D00817	53		31-51-32	GDX0006	D..	2	N2	2		
636	22	PA	D00817	21		31-51-32	GDX0006	D..	2	N2	2		
644	22	PQ	D00823	66		27-32-31	D04347J	42		N2	2		
644Z			D00823	DED		27-32-31	D04347J	DED		N2			
646	22	PQ	D01381	66		27-32-31	D04349J	42		N2	2		
646Z			D01381	DED		27-32-31	D04349J	DED		N2			
648	24	PK	D04347J	32		34-16-11	D00821	40		N2	2		
649	24	PK	D04347J	33		34-16-11	SM00038		W	N2	1		
681	24	PK	D01433	10		31-51-43	D04507J	10		N2	2		
682	24	PK	D01433	13		31-51-43	D04347J	46		N2	2		
683	22	PA	D01433	41		31-51-43	SM00081		W	N2	1		
684	20	PA	GDX0001	D..	2	31-51-43	D04349J	47		N2	2		
685	24	PK	D00823	58		27-32-12	D01505	A1		N2	2		

286T0045-OAZ
Wire Bundle Assembly
Figure 139 (Sheet 14)

25-71-02

WIRE			FROM EQUIPMENT				TO EQUIPMENT				WIRE INFO			
NUMBER	GA	TYP	NUMBER	TERM	TT	WDM REF	NUMBER	TERM	TT	EMC/SEP	FT	NOTE	EFFECTIVITY	
686	24	PK	D00823	8		27-32-11	SM00038		W	N2	1			
687	24	PK	D00823	64		27-32-11	SM00081		W	N2	1			
688	24	PK	D01381	58		27-32-22	D01503	A1		N2	2			
689	24	PK	D01381	45		27-32-22	SM00085		W	N2	1			
692	24	PK	D01381	8		27-32-21	SM00038		W	N2	1			
693	24	PK	D04347J	30		31-51-21	D00815	6		N2	2			
694	22	PA	D04349J	46		31-51-43	SM00081		W	N2	1			
696	20	PA	GDX0003	D..	2	27-32-12	SM00082		W	N2	1			
697	20	PA	GDX0003	D..	2	27-32-22	SM00085		W	N2	1			
701	24	PK	D00815	49		31-51-21	D00815	22		N2				
702	24	PK	D00815	16		31-51-21	D00815	48		N2				
703	24	PK	D00819	6		31-51-41	SM00019		W	N2	1			
704	24	PK	SM00075		W	31-51-41	D04511J	14		N2	1			
705	24	PK	D00819	45		31-51-41	D04511J	12		N2	2			
706	24	PK	D00819	10		31-51-41	D04349J	31		N2	2			
707	24	PK	D00819	21		31-51-41	D04509J	4		N2	2			
708	24	PK	D00819	9		31-51-41	D04349J	7		N2	2			
709	24	PK	D00819	39		31-51-41	SM00044		W	N2	1			
710	24	PK	D00819	43		31-51-41	SM00037		W	N2	1			
711	24	PK	D00819	12		31-51-41	D04349J	21		N2	2			
712	24	PK	D00819	53		31-51-41	D04349J	3		N2	2			
713	24	PK	D00819	20		31-51-41	D04347J	9		N2	2			
714	24	PK	D00819	44		31-51-41	D04349J	24		N2	2			
715	24	PK	D04507J	6		31-51-42	SM00019		W	N2	1			
716	24	PK	D01433	34		31-51-42	SM00019		W	N2	1			
717	24	PK	D01433	37		31-51-42	SM00034		W	N2	1			
718	24	PK	D01433	39		31-51-42	D04509J	2		N2	2			
720	24	PK	D01433	52		31-51-42	SM00040		W	N2	1			
721	24	PK	D01433	38		31-51-42	D04347J	24		N2	2			
722	24	PK	D01433	5		31-51-42	D04349J	22		N2	2			
723	24	PK	D04511J	11		31-51-42	SM00038		W	N2	1			

286T0045-0AZ
Wire Bundle Assembly
Figure 139 (Sheet 15)

25-71-02



BOEING
COMPONENT
MAINTENANCE MANUAL

WIRE			FROM EQUIPMENT				TO EQUIPMENT				WIRE INFO			
NUMBER	GA	TYP	NUMBER	TERM	TT	WDM REF	NUMBER	TERM	TT	EMC / SEP	FT	NOTE	EFFECTIVITY	
724	24	PK	D01433	40		31-51-42	SM00038		W	N2	1			
725	24	PK	D01433	3		31-51-42	D04347J	13		N2	2			
726	22	PA	D04347J	14		31-51-21	SM00036		W	N2	1			
727	22	PA	D04301J	11		31-51-21	SM00035		W	N2	1			
728	24	PK	D04347J	1		31-51-41	D00819	35		N2	2			
729	24	PK	D04347J	2		31-51-41	D00819	1		N2	2			
730	24	PK	D04347J	3		31-51-41	D00819	36		N2	2			
731	24	PK	D04347J	4		31-51-41	D00819	2		N2	2			
732	24	PK	D04347J	5		31-51-42	D01433	20		N2	2			
733	24	PK	D04347J	16		34-16-11	D00821	65		N2	2			
734	24	PK	D04347J	8		31-51-31	SM00046		W	N2	1			
735	24	PK	D04507J	7		34-16-11	D00821	34		N2	2			
736	24	PK	D04507J	2		34-16-11	D00821	66		N2	2			
737	24	PK	SM00041		W	34-16-11	D00821	31		N2	1			
738	24	PK	D04347J	19		34-16-11	D00821	7		N2	2			
739	24	PK	SM00075		W	34-16-11	D00821	6		N2	1			
741	24	PK	D00821	18		34-16-11	D00821	22		N2				
742	24	PK	D00821	50		34-16-11	D00821	48		N2				
743	24	PK	D04349J	17		31-51-33	D01489	20		N2	5	Z5Z-B6		
746	24	PK	D04597J	10		31-51-31	SM00043		W	N2	1			
747	24	PK	D01487	46		31-51-31	SM00043		W	N2	1			
748	24	PK	D04347J	7		31-51-31	SM00045		W	N2	1			
749	24	PK	D01487	10		31-51-31	SM00045		W	N2	1			
750	24	PK	D01487	19		31-51-31	SM00046		W	N2	1			
751	24	PK	D01487	13		31-51-31	SM00040		W	N2	1			
752	24	PK	D01487	47		31-51-31	SM00044		W	N2	1			
753	24	PK	D01487	51		31-51-31	SM00041		W	N2	1			
755	24	PV	D01487	1		31-51-31	SM00035		W	N2	1			
755Z			D01487	DED		31-51-31	SM00035	DED		N2				
756	24	PK	D01487	50		31-51-31	SM00036		W	N2	1			
757	24	PK	D01487	49		31-51-31	SM00039		W	N2	1			

286T0045-OAZ
Wire Bundle Assembly
Figure 139 (Sheet 16)

25-71-02

WIRE			FROM EQUIPMENT			TO EQUIPMENT			WIRE INFO				
NUMBER	GA	TYP	NUMBER	TERM	TT	WDM REF	NUMBER	TERM	TT	EMC/ SEP	FT	NOTE	EFFECTIVITY
758	24	PK	D01487	22		31-51-31	D01489	23		N2	2		
759	24	PK	D01487	55		31-51-31	D01489	47		N2	2		
760	24	PK	D01487	34		31-51-31	D01489	51		N2	2		
761	24	PK	D01487	66		31-51-31	D01489	57		N2	2		
762	24	PK	D00817	10		31-51-32	SM000045		W	N2	1		
763	24	PK	D00817	46		31-51-32	SM000043		W	N2	1		
764	24	FV	D00817	1		31-51-32	SM000035		W	N2	1		
764Z			D00817	DED		31-51-32	SM000035	DED		N2			
765	24	PK	D00817	50		31-51-32	SM000036		W	N2	1		
766	24	FV	D00817	49		31-51-32	SM000053		W	N2	1		
766Z			D00817	DED		31-51-32	SM000053	DED		N2			
767	24	PK	D00817	19		31-51-32	SM000046		W	N2	1		
768	24	PK	D00817	13		31-51-32	SM000040		W	N2	1		
769	24	PK	D00817	47		31-51-32	SM000044		W	N2	1		
770	24	PK	D00817	51		31-51-32	SM000041		W	N2	1		
772	24	PK	D00817	22		31-51-32	D01489	54		N2	2		
773	24	PK	D00817	55		31-51-32	D01489	13		N2	2		
774	24	PK	D00817	34		31-51-32	D01489	25		N2	2		
775	24	PK	D00817	66		31-51-32	D01489	58		N2	2		
776	24	PK	D01489	42		31-51-33	D04347J	15		N2	2		
777	24	PK	D01489	8		31-51-33	D04349J	13		N2	2		
779	24	PK	D01489	35		31-51-33	D04349J	40		N2	2		
780	24	PK	D01489	53		31-51-33	D04349J	2		N2	2		
781	24	PK	D01489	31		31-51-33	D01489	48		N2			
782	24	PK	D01489	18		31-51-33	D01489	22		N2			
783	24	PK	D01489	38		31-51-33	SM000008		W	N2	1		
784	24	PK	D01489	4		31-51-33	SM000011		W	N2	1		
785	24	PK	D01489	37		31-51-33	SM000012		W	N2	1		
786	24	PK	D01489	3		31-51-33	SM000010		W	N2	1		
788	24	PK	D01489	6		31-51-33	SM000034		W	N2	1		
789	24	PK	D01489	41		31-51-33	D04509J	11		N2	2		

286T0045-0AZ
Wire Bundle Assembly
Figure 139 (Sheet 17)

25-71-02



BOEING
COMPONENT
MAINTENANCE MANUAL

WIRE			FROM EQUIPMENT			TO EQUIPMENT			WIRE INFO				
NUMBER	GA	TYP	NUMBER	TERM	TT	WDM REF	NUMBER	TERM	TT	EMC/ SEP	FT	NOTE	EFFECTIVITY
791	24	PK	D01489	7		31-51-33	D04349J	12		N2	2		
793	24	PK	D00819	11		31-51-41	SM00075		W	N2	1		
794	20	PA	D04303J	10		31-51-32	GDX0004	S..	2	N2	2		
795	24	PK	D01433	9		31-51-42	D01433	48		N2			
796	24	PK	D01433	22		31-51-42	D01433	50		N2			
797	24	FV	D00815	41		31-51-21	SM00053	DED	W	N2	1		
797Z			D00815	DED		31-51-21	SM00053	DED	W	N2	1		
798	24	FV	D04349J	9		31-51-21	SM00053	DED		N2			
798Z			D04349J	DED		31-51-21	SM00053	DED		N2			
817	24	PK	D00823	55		27-32-12	D11553	6		N2	2		
818	24	PK	D00823	21		27-32-12	D11553	4		N2	2		
819	24	PK	D00823	51		27-32-12	D11553	3		N2	2		
820	24	PK	D00823	50		27-32-12	D11553	2		N2	2		
821	24	PK	D00823	49		27-32-12	D11553	7		N2	2		
822	24	PK	D00823	47		27-32-12	D11553	8		N2	2		
823	24	PK	D00823	46		27-32-12	D11553	9		N2	2		
824	24	PK	D00823	53		27-32-12	D11553	5		N2	2		
825	24	PK	D00823	62		27-32-12	D11553	24		N2	2		
826	24	PK	D01381	55		27-32-22	D11553	16		N2	2		
827	24	PK	D01381	21		27-32-22	D11553	14		N2	2		
828	24	PK	D01381	51		27-32-22	D11553	13		N2	2		
829	24	PK	D01381	50		27-32-22	D11553	12		N2	2		
830	24	PK	D01381	49		27-32-22	D11553	17		N2	2		
831	24	PK	D01381	47		27-32-22	D11553	18		N2	2		
832	24	PK	D01381	46		27-32-22	D11553	19		N2	2		
833	24	PK	D01381	53		27-32-22	D11553	15		N2	2		
834	24	PK	D01381	62		27-32-22	D11553	34		N2	2		
835	24	PK	D04349J	50		27-32-21	D01381	64		N2	2		
836	20	PA	D04349J	53		27-32-21	GDX0002	S..	2	N2	2		
837	24	PK	D00823	42		27-32-12	SM00082		W	N2	1		
838	24	PK	D01381	42		27-32-22	SM00085		W	N2	1		

286T0045-OAZ
Wire Bundle Assembly
Figure 139 (Sheet 18)

25-71-02

WIRE			FROM EQUIPMENT			TO EQUIPMENT			WIRE INFO				
NUMBER	GA	TYP	NUMBER	TERM	TT	WDM REF	NUMBER	TERM	TT	EMC/SEP	FT	NOTE	EFFECTIVITY
862	22	PA	D02261	30		31-41-35	GDX0006	S..	2	N2	1		
863	22	PA	D02261	32		31-41-35	GDX0006	S..	2	N2	1		
864	22	PA	D02261	33		31-41-35	GDX0006	S..	2	N2	1		
865	22	PA	D02261	64		31-41-35	GDX0006	S..	2	N2	1		
866	24	PV	D02261	27		31-51-11	SM00018	REF	W	N2	1		
866Z			D02261	DED		31-51-11	SM00018	REF	W	N2	1		
867	24	PV	D02261	28		31-51-11	SM00047	REF	W	N2	1		
867Z			D02261	DED		31-51-11	SM00047	REF	W	N2	1		
868	24	PV	D02261	29		31-51-12	SM00054	REF	W	N2	1		
868Z			D02261	DED		31-51-12	SM00054	REF	W	N2	1		
869	24	PK	D02261	34		31-51-12	SM00025	REF	W	N2	1		
870	22	PA	D02261	56		31-51-12	GDX0001	S..	2	N2	2		
871	22	PA	D02261	57		31-51-12	GDX0003	S..	2	N2	2		
872	22	PA	D02261	59		31-51-11	GDX0005	S..	2	N2	1		
873	24	PV	D02261	60		31-51-12	SM00055	REF	W	N2	1		
873Z			D02261	DED		31-51-12	SM00055	REF	W	N2	1		
874	24	PV	D02261	62		31-51-11	SM00049	REF	W	N2	1		
874Z			D02261	DED		31-51-11	SM00049	REF	W	N2	1		
875	24	PV	D02261	63		31-51-12	SM00056	REF	W	N2	1		
875Z			D02261	DED		31-51-12	SM00056	REF	W	N2	1		
876	24	PK	D02261	65		31-51-11	SM00022	REF	W	N2	1		
877	24	PV	D00811	14		31-51-11	SM00018	REF	W	N2	2		
877Z			D00811	DED		31-51-11	SM00018	REF	W	N2	2		
878	24	PV	D00811	48		31-51-11	SM00047	REF	W	N2	2		
878Z			D00811	DED		31-51-11	SM00047	REF	W	N2	2		
879	24	PV	D00811	23		31-51-11	SM00049	REF	W	N2	2		
879Z			D00811	DED		31-51-11	SM00049	REF	W	N2	2		
880	24	PV	D00813	14		31-51-12	SM00054	REF	W	N2	2		
880Z			D00813	DED		31-51-12	SM00054	REF	W	N2	2		
881	24	PV	D00813	48		31-51-12	SM00055	REF	W	N2	2		
881Z			D00813	DED		31-51-12	SM00055	REF	W	N2	2		

286T0045-0AZ
Wire Bundle Assembly
Figure 139 (Sheet 19)

25-71-02

BOEING
 COMPONENT
 MAINTENANCE MANUAL

WIRE			FROM EQUIPMENT			TO EQUIPMENT			WIRE INFO				
NUMBER	GA	TYP	NUMBER	TERM	TT	WDM REF	NUMBER	TERM	TT	EMC / SEP	FT	NOTE	EFFECTIVITY
882	24	FV	D00813	23		31-51-12	SM00056		W	N2	2		
882Z			D00813	DED		31-51-12	SM00056	REF		N2			
885	24	PK	D04303J	9		31-51-21	SM00057		W	N2	1		
886	24	PK	D04507J	3		31-51-21	SM00058		W	N2	1		
887	24	PK	D04507J	1		31-51-21	SM00058		W	N2	1		
888	24	PK	SM00057		W	31-51-21	D04349J	25		N2	1		

286T0045-OAZ
 Wire Bundle Assembly
 Figure 139 (Sheet 20)

25-71-02

WIRE			FROM EQUIPMENT			TO EQUIPMENT			WIRE INFO				
NUMBER	GA	TYP	NUMBER	TERM	TT	WDM REF	NUMBER	TERM	TT	EMC/ SUP	FT	NOTE	EFFECTIVITY
FRA			M01103			31-51-12	M01103	GND	D	N2			
FRB			D00813			31-51-12	D00813	59		N2			
FRC			M01102			31-51-11	M01102	GND	D	N2			
FRD			D00811			31-51-11	D00811	59		N2			
FRG			D04349J	58		31-41-35	D04349J			N2			
FRH			D04349J	61		28-41-11	D04349J			N2			
PA1			D00815	47		99-99-99	D00815	63		N2		DAW-B2	
PA2			D00817	8		99-99-99	D00817	57		N2		DAW-B2	
PA3			D00819	41		99-99-99	D00819	55		N2		DAW-B2	
PA4			D00821	43		99-99-99	D00821	60		N2		DAW-B2	
PA5			D00823	52		99-99-99	D00823	65		N2		DAW-B2	
PA6			D01433	44		99-99-99	D01433	61		N2		DAW-B2	
PA7			D01381	52		99-99-99	D01381	65		N2		DAW-B2	
PA8			D01487	8		99-99-99	D01487	57		N2		DAW-B2	
PA9			D01489	56		99-99-99	D01489	65		N2		DAW-B2	
PB4			D02261	54		99-99-99	D02261	61		N2		DAW-B2	
P01		SE	D11553							N2			
1	22	PA	D00811	60		31-51-11	GDX0001	S..	2	N2	3	UAE-F2	
2	22	PA	D00821	14		31-51-11	GDX0002	D..	2	N2	2		
3	24	PV	D00811	26		31-51-11	D00821	27		N2	3		
003Z			D00811	DED		31-51-11	D00821			N2			
4	24	PV	D00811	49		31-51-11	D00821	32		N2	3		
004Z			D00811	DED		31-51-11	D00821			N2			
5	24	PV	D00811	35		31-51-11	D00821	17		N2	3		
005Z			D00811	DED		31-51-11	D00821			N2			
6	24	PK	SM00022		W	31-51-11	D00821	51		N2	1		
7	24	PK	D00811	65		31-51-11	SM00022		W	N2	2		
8	24	PK	D00819	37		31-51-11	SM00022		W	N2	1		
9	24	PV	D00819	27		31-51-11	D00811	13		N2	3		
009Z			D00811	DED		31-51-11	D00819			N2			
10	22	PA	D00819	14		31-51-11	GDX0001	D..	2	N2	2		

286T0045-0BB
Wire Bundle Assembly
Figure 140 (Sheet 1)

25-71-02



BOEING
COMPONENT
MAINTENANCE MANUAL

WIRE		FROM EQUIPMENT			TO EQUIPMENT			WIRE INFO					
NUMBER	GA	TYP	NUMBER	TERM	T/T	WDM REF	NUMBER	TERM	T/T	EMC/ SUP	FT	NOTE	EFFECTIVITY
11	24	PK	D01433	51		31-51-11	SM00022		W	N2	1		
12	24	PV	SM00018		W	31-51-11	D01433	27		N2	1		
012Z			SM00018	REF		31-51-11	D01433			N2			
13	24	PV	SM00047		W	31-51-11	D01433	32		N2	1		
013Z			SM00047	REF		31-51-11	D01433			N2			
14	24	PV	SM00049		W	31-51-11	D01433	17		N2	1		
014Z			SM00049	REF		31-51-11	D01433			N2			
15	22	PA	D01433	14		31-51-11	GDX0001	D..	2	N2	2		
16	20	PA	SM00028		W	31-51-11	GDX0005	D..	2	N2	2		
17	20	UA	GDX0002	S..	2	31-51-11	D00821			N2	2		
18	20	UA	GDX0005	S..	2	31-51-11	D00819			N2	2		
19	20	UA	D01433		2	31-51-11	GDX0002	S..	2	N2	2		
20	20	PA	GDX0005	D..	2	31-51-11	SM00029		W	N2	2		
21	20	UA	GDX0002	S..	2	31-51-11	D01503			N2	2		
23	20	UA	D00815			31-51-11	GDX0002	S..	2	N2	2		
24	24	PK	D04349J	38		31-51-11	SM00005		W	N2	1		
25	24	PK	D01503	A2		31-51-11	SM00005		W	N2	1		
26	20	PA	D01503	A3		31-51-11	GDX0003	D..	2	N2	2		
27	22	PQ	D01503	X2		31-51-11	D00811	75		N2	4		
027Z			D00811	DED		31-51-11	D01503			N2			
28	24	PV	D01503	X1		31-51-11	SM00015		W	N2	1		
028Z			SM00015	REF		31-51-11	D01503			N2			
29	24	PV	D00811	46		31-51-11	SM00015		W	N2	2		
029Z			SM00015	REF		31-51-11	D00811	DED		N2			
30	24	PK	SM00015		W	31-51-11	D11553	35		N2	1		
32	20	PA	D11553	11		31-51-11	GDX0003	D..	2	N2	2		
33	24	PK	D11553	37		31-51-11	D00811	34		N2	4		
34	24	PK	D11553	36		31-51-11	D00811	33		N2	4		
35	22	PA	D00815	14		31-51-11	GDX0001	D..	2	N2	2		
36	24	PV	D00815	27		31-51-11	D00811	12		N2	3		
036Z			D00811	DED		31-51-11	D00815			N2			

286T0045-0BB
Wire Bundle Assembly
Figure 140 (Sheet 2)

25-71-02

TESTING & TROUBLE SHOOTING

01

Page 190S

Nov 01/02

WIRE			FROM EQUIPMENT			TO EQUIPMENT			WIRE INFO				
NUMBER	GA	TYP	NUMBER	TERM	TT	WDM REF	NUMBER	TERM	TT	EMC/ SUP	FT	NOTE	EFFECTIVITY
37	24	PV	D00815	32		31-51-11	D00811	17		N2	3		
037Z			D00811	DED		31-51-11	D00815			N2			
38	24	PV	D00815	17		31-51-11	D00811	22		N2	3		
038Z			D00811	DED		31-51-11	D00815			N2			
39	24	PK	D00815	54		31-51-11	SM00020		W	N2	1		
40	24	PK	D00811	63		31-51-11	SM00020		W	N2	2		
41	24	PK	D00823	35		31-51-11	SM00020		W	N2	1		
42	24	PK	D01381	35		31-51-11	SM00020		W	N2	1		
45	22	PA	D01381	14		31-51-11	GDX0001	D..	2	N2	2		
46	22	PA	D01381	48		31-51-11	GDX0003	D..	2	N2	2		
47	24	PV	D01381	27		31-51-11	D00811	11		N2	3		
047Z			D00811	DED		31-51-11	D01381			N2			
48	24	PV	D01381	32		31-51-11	D00811	16		N2	3		
048Z			D00811	DED		31-51-11	D01381			N2			
49	24	PV	D01381	17		31-51-11	D00811	21		N2	3		
049Z			D00811	DED		31-51-11	D01381			N2			
52	22	PA	D00823	14		31-51-11	GDX0001	D..	2	N2	2		
53	22	PA	D00823	48		31-51-11	GDX0003	D..	2	N2	2		
54	24	PV	D00823	27		31-51-11	D00811	10		N2	3		
054Z			D00811	DED		31-51-11	D00823			N2			
55	24	PV	D00823	32		31-51-11	D00811	15		N2	3		
055Z			D00811	DED		31-51-11	D00823			N2			
56	24	PV	D00823	17		31-51-11	D00811	20		N2	3		
056Z			D00811	DED		31-51-11	D00823			N2			
57	22	PA	D00817	14		31-51-11	GDX0002	D..	2	N2	2		
58	24	PV	D00817	27		31-51-11	D00811	51		N2	3		
058Z			D00811	DED		31-51-11	D00817			N2			
59	24	PV	D00817	32		31-51-11	D00811	74		N2	3		
059Z			D00811	DED		31-51-11	D00817			N2			
60	24	PK	D00817	45		31-51-11	SM00021		W	N2	1		
61	24	PK	D00811	64		31-51-11	SM00021		W	N2	2		

286T0045-0BB
Wire Bundle Assembly
Figure 140 (Sheet 3)

25-71-02



BOEING
COMPONENT
MAINTENANCE MANUAL

WIRE		FROM EQUIPMENT			TO EQUIPMENT			WIRE INFO					
NUMBER	GA	TYP	NUMBER	TERM	TT	WDM REF	NUMBER	TERM	TT	EMC/ SUP	FT	NOTE	EFFECTIVITY
62	24	PK	D01489	16		31-51-11	SM00021		W	N2	1		
63	24	PK	D01487	45		31-51-11	SM00021		W	N2	1		
64	24	PV	D01487	27		31-51-11	D00811	47		N2	3		
064Z			D00811	DED		31-51-11	D01487			N2			
65	24	PV	D01487	32		31-51-11	D00811	70		N2	3		
065Z			D00811	DED		31-51-11	D01487			N2			
66	22	PA	D01487	14		31-51-11	GDX0003	D..	2	N2	2		
67	24	PV	D01489	27		31-51-11	D00811	45		N2	3		
067Z			D00811	DED		31-51-11	D01489			N2			
68	24	PV	D01489	32		31-51-11	D00811	50		N2	3		
068Z			D00811	DED		31-51-11	D01489			N2			
69	24	PV	D01489	17		31-51-11	D00811	36		N2	3		
069Z			D00811	DED		31-51-11	D01489			N2			
70	22	PA	D01489	14		31-51-11	GDX0003	D..	2	N2	2		
71	20	UA	D01381			31-51-11	GDX0002	S..	2	N2	2		
72	20	UA	D00823			31-51-11	GDX0002	S..	2	N2	2		
73	20	UA	D00817			31-51-11	GDX0002	S..	2	N2	2		
74	20	PA	SM00026		W	31-51-11	GDX0005	D..	2	N2	2		
75	20	UA	D01487			31-51-11	GDX0005	S..	2	N2	2		
76	20	UA	GDX0005	S..	2	31-51-11	D01489			N2	2		
77	24	PK	D02261	40		31-41-35	D04349J	1		N2	2		
78	20	PA	SM00027		W	31-51-11	GDX0005	D..	2	N2	2		
79	22	PA	D00813	60		31-51-12	GDX0003	S..	2	N2	3	UAE-F2	
80	22	PA	D00821	15		31-51-12	GDX0002	D..	2	N2	2		
81	24	PV	D00821	30		31-51-12	D00813	26		N2	3		
081Z			D00821	DED		31-51-12	D00813	DED		N2			
82	24	PV	D00821	33		31-51-12	D00813	49		N2	3		
082Z			D00821	DED		31-51-12	D00813	DED		N2			
83	24	PV	D00821	24		31-51-12	D00813	35		N2	3		
083Z			D00821	DED		31-51-12	D00813	DED		N2			
84	24	PK	D00821	19		31-51-12	SM00025		W	N2	1		

286T0045-0BB
Wire Bundle Assembly
Figure 140 (Sheet 4)

25-71-02

WIRE			FROM EQUIPMENT			TO EQUIPMENT			WIRE INFO				
NUMBER	GA	TYP	NUMBER	TERM	TT	WDM REF	NUMBER	TERM	TT	EMC/ SUP	FT	NOTE	EFFECTIVITY
85	24	PK	D00813	65		31-51-12	SM00025		W	N2	2		
86	24	PK	D00819	3		31-51-12	SM00025		W	N2	1		
87	24	PK	D01433	18		31-51-12	SM00025		W	N2	1		
88	22	PA	D01433	15		31-51-12	GDX0002	D..	2	N2	2		
89	24	PV	D01433	30		31-51-12	SM00054		W	N2	1		
089Z			SM00054	REF		31-51-12	D01433		W	N2	1		
90	24	PV	D01433	33		31-51-12	SM00055		W	N2	1		
090Z			SM00055	REF		31-51-12	D01433		W	N2	1		
91	24	PV	D01433	24		31-51-12	SM00056		W	N2	1		
091Z			SM00056	REF		31-51-12	D01433		2	N2	2		
92	22	PA	D00819	15		31-51-12	GDX0002	D..	2	N2	3		
93	24	PV	D00819	30		31-51-12	D00813	13		N2	3		
093Z			D00813	DED		31-51-12	D00819		2	N2	2		
94	20	PA	SM00032		W	31-51-12	GDX0005	D..	2	N2	3		
95	24	PV	D01505	X2		31-51-12	D00813	75		N2	3		
095Z			D00813	DED		31-51-12	D01505		W	N2	1		
96	24	PV	D01505	X1		31-51-12	SM00016		W	N2	2		
096Z			SM00016	REF		31-51-12	D01505		W	N2	2		
97	24	PV	D00813	46		31-51-12	SM00016		W	N2	2		
097Z			SM00016	REF		31-51-12	D00813	DED	2	N2	2		
98	20	PA	SM00033		W	31-51-12	GDX0005	D..	2	N2	1		
99	24	PK	SM00016		W	31-51-12	D11553	25		N2	2		
100	20	PA	D11553	1		31-51-12	GDX0003	D..	2	N2	2		
101	20	UA	D00821			31-51-12	GDX0004	S..	2	N2	2		
102	20	UA	D00819			31-51-12	GDX0004	S..	2	N2	2		
103	20	UA	D01433			31-51-12	GDX0004	S..	2	N2	2		
104	20	UA	D01505			31-51-12	GDX0005	S..	2	N2	2		
106	20	UA	D00815			31-51-12	GDX0004	S..	2	N2	2		
107	20	UA	D01381			31-51-12	GDX0004	S..	2	N2	2		
109	20	UA	D00817			31-51-12	GDX0004	S..	2	N2	2		
110	20	UA	D01487			31-51-12	GDX0001	S..	2	N2	2		

286T0045-0BB
Wire Bundle Assembly
Figure 140 (Sheet 5)

25-71-02



BOEING
COMPONENT
MAINTENANCE MANUAL

WIRE			FROM EQUIPMENT			TO EQUIPMENT			WIRE INFO				
NUMBER	GA	TYP	NUMBER	TERM	TT	WDM REF	NUMBER	TERM	TT	EMC/ SUP	FT	NOTE	EFFECTIVITY
111	20	UA	D01489			31-51-12	GDX0001	S..	2	N2	2		
112	22	PA	D00815	15		31-51-12	GDX0001	D..	2	N2	2		
113	24	PK	D01505	A2		31-51-12	SM00005		W	N2	1		
114	20	PA	D01505	A3		31-51-12	GDX0003	D..	2	N2	2		
115	24	PK	D02261	21		21-61-51	D04347J	25		N2	2		
116	24	PK	D00815	21		31-51-12	SM00023		W	N2	1		
117	24	PK	D00813	63		31-51-12	SM00023		W	N2	2		
118	24	PK	D00823	1		31-51-12	SM00023		W	N2	1		
119	24	PK	D01381	1		31-51-12	SM00023		W	N2	1		
120	22	PA	D01381	15		31-51-12	GDX0001	D..	2	N2	2		
121	24	PK	D00817	56		31-51-12	SM00024		W	N2	1		
122	24	PK	D00813	64		31-51-12	SM00024		W	N2	2		
123	24	PK	D01487	56		31-51-12	SM00024		W	N2	1		
124	22	PA	D00823	15		31-51-12	GDX0001	D..	2	N2	2		
125	20	UA	D00823	15		31-51-12	GDX0004	S..	2	N2	2		
126	24	PV	D00823	33		31-51-12	D00813	15		N2	3		
126Z			D00823			31-51-12	D00813	DED		N2			
127	24	PV	D00823	24		31-51-12	D00813	20		N2	3		
127Z			D00823			31-51-12	D00813	DED		N2			
128	22	PA	D00817	15		31-51-12	GDX0002	D..	2	N2	2		
129	24	PV	D00817	30		31-51-12	D00813	51		N2	3		
129Z			D00817			31-51-12	D00813	DED		N2			
130	24	PV	D00817	33		31-51-12	D00813	74		N2	3		
130Z			D00817			31-51-12	D00813	DED		N2			
131	24	PV	D00813	11		31-51-12	D01381	30		N2	3		
131Z			D01381			31-51-12	D00813	DED		N2			
132	24	PV	D00813	16		31-51-12	D01381	33		N2	3		
132Z			D01381			31-51-12	D00813	DED		N2			
133	24	PV	D01381	24		31-51-12	D00813	21		N2	3		
133Z			D01381			31-51-12	D00813	DED		N2			
134	24	PK	D01489	50		31-51-12	SM00024		W	N2	1		

286T0045-0BB
Wire Bundle Assembly
Figure 140 (Sheet 6)

25-71-02

WIRE			FROM EQUIPMENT			TO EQUIPMENT			WIRE INFO				
NUMBER	GA	TYP	NUMBER	TERM	TT	WDM REF	NUMBER	TERM	TT	EMC/ SUP	FT	NOTE	EFFECTIVITY
135	24	PV	D01487	30		31-51-12	D00813	47		N2	3		
135Z			D01487			31-51-12	D00813	DED		N2			
136	24	PV	D01487	33		31-51-12	D00813	70		N2	3		
136Z			D01487			31-51-12	D00813	DED		N2			
137	22	PA	D01487	15		31-51-12	GDX0003	D..	2	N2	2		
138	24	PV	D01489	30		31-51-12	D00813	45		N2	3		
138Z			D01489			31-51-12	D00813	DED		N2			
139	24	PV	D01489	33		31-51-12	D00813	50		N2	3		
139Z			D01489			31-51-12	D00813	DED		N2			
140	24	PV	D01489	24		31-51-12	D00813	36		N2	3		
140Z			D01489			31-51-12	D00813	DED		N2			
141	22	PA	D01489	15		31-51-12	GDX0003	D..	2	N2	2		
142	24	PK	D00813	33		31-51-12	D11553	26		N2	3		
143	24	PK	D11553	27		31-51-12	D00813	34		N2	3		
144	24	PV	D00813	12		31-51-12	D00815	30		N2	3		
144Z			D00813	DED		31-51-12	D00815			N2			
145	20	PA	SM00030		W	31-51-12	GDX0005	D..	2	N2			
146	24	PV	D00813	17		31-51-12	D00815	33		N2	3		
146Z			D00813	DED		31-51-12	D00815			N2			
147	24	PV	D00813	22		31-51-12	D00815	24		N2	3		
147Z			D00813	DED		31-51-12	D00815			N2			
148	24	PV	D00813	10		31-51-12	D00823	30		N2	3		
148Z			D00813	DED		31-51-12	D00823			N2			
149	20	PA	SM00031		W	31-51-12	GDX0005	D..	2	N2			
150	22	PA	D04301J	6		27-32-11	D00823	34		N2	2		
151	24	PK	D04509J	1		27-32-11	D00823	39		N2	2		
152	24	PK	D04347J	26		27-32-11	D00823	40		N2	2		
153	24	PK	D00823	31		27-32-11	D04509J	6		N2	2		
154	20	PA	D04509J	7		27-32-11	GDX0001	D..	2	N2	2		
155	24	PK	SM00037		W	27-32-11	D04511J	3		N2	1		
156	24	PK	D00823	38		27-32-11	D04511J	2		N2	2		

286T0045-0BB
Wire Bundle Assembly
Figure 140 (Sheet 7)

25-71-02



BOEING
COMPONENT
MAINTENANCE MANUAL

WIRE		FROM EQUIPMENT			TO EQUIPMENT			WIRE INFO					
NUMBER	GA	TYP	NUMBER	TERM	TT	WDM REF	NUMBER	TERM	TT	EMC/ SUP	FT	NOTE	EFFECTIVITY
157	24	PK	D04511J	4		27-32-11	SM00050		W	N2	1		
158	24	PK	SM00037		W	27-32-11	D00823	4		N2	1		
159	24	PK	D04349J	14		27-32-11	D00823	36		N2	1		
160	24	PK	D04349J	15		27-32-11	D00823	3		N2	1		
161	24	PK	D04349J	16		27-32-11	D00823	43		N2	1		
162	24	PK	D04349J	10		27-32-11	D00823	2		N2	1		
165	22	PA	D04349J	11		27-32-21	D01381	34		N2	2		
166	24	PK	D01381	40		27-32-21	D04349J	6		N2	2		
167	24	PK	D01381	31		27-32-21	D04511J	7		N2	2		
168	20	PA	GDX0002	D..	2	27-32-21	D04511J	8		N2	2		
169	24	PK	D04349J	34		27-32-21	D01381	36		N2	2		
170	24	PK	D04349J	35		27-32-21	D01381	3		N2	2		
171	24	PK	D04349J	36		27-32-21	D01381	43		N2	2		
172	24	PK	D04349J	37		27-32-21	D01381	2		N2	2		
173	24	PK	D04511J	13		27-32-21	D01381	4		N2	2		
174	24	PK	D04511J	16		27-32-21	D01381	37		N2	2		
175	24	PK	D04511J	15		27-32-21	D01381	38		N2	2		
176	24	PK	D04509J	8		27-32-21	D01381	39		N2	2		
177	24	PK	D00815	34		31-51-21	SM00057		W	N2	1		
178	24	PK	D00815	43		31-51-21	D01433	19		N2	2		
179	24	PK	D00815	10		31-51-21	D00819	5		N2	2		
180	24	PK	D04507J	5		31-51-21	SM00034		W	N2	1		
181	24	PK	SM00058		W	31-51-21	D00815	66		N2	1		
182	24	PK	D00815	4		31-51-21	SM00034		W	N2	1		
183	24	PK	D00815	11		31-51-21	D04349J	39		N2	2		
184	22	PA	D00815	37		31-51-21	SM00035		W	N2	1		
185	22	PA	D00815	42		31-51-21	SM00036		W	N2	1		
186	24	PK	D04349J	5		31-51-21	SM00012		W	N2	1		
187	24	PK	D00815	2		31-51-21	SM00012		W	N2	1		
188	24	PK	SM00011		W	31-51-21	D04349J	4		N2	1		
189	24	PK	SM00011		W	31-51-21	D00815	35		N2	1		

286T0045-0BB
Wire Bundle Assembly
Figure 140 (Sheet 8)

25-71-02

TESTING & TROUBLE SHOOTING

01

Page 190Y

Nov 01/02

WIRE			FROM EQUIPMENT			TO EQUIPMENT			WIRE INFO				
NUMBER	GA	TYP	NUMBER	TERM	TT	WDM REF	NUMBER	TERM	TT	EMC/ SUP	FT	NOTE	EFFECTIVITY
190	24	PK	D04349J	12		31-51-21	SM00009		W	N2	1		
191	24	PK	D00815	44		31-51-21	SM00009		W	N2	1		
192	24	PK	D04347J	10		31-51-21	SM00008		W	N2	1		
193	24	PK	D00815	1		31-51-21	SM00008		W	N2	1		
194	24	PK	D04347J	11		31-51-21	SM00010		W	N2	1		
195	24	PK	D00815	36		31-51-21	SM00010		W	N2	1		
196	24	PK	SM00039		W	31-51-21	D04347J	21		N2	1		
197	24	PK	D00815	45		31-51-21	SM00039		W	N2	1		
198	24	PK	D00815	46		31-51-21	D04347J	6		N2	2		
199	20	PA	GDX0004	S..	2	31-51-31	D04597J	14		N2	2		
201B	24	PW	D01489	43		31-51-33	SM00004		W	N2	1		
201R	24	PW	D01489	9		31-51-33	SM00003		W	N2	1		
201Z			D01489	DED		31-51-33	SM00003	REF		N2	2		
204	20	UA	D04507J			27-32-11	GDX0004	S..	2	N2	2		
204B	24	PW	D00823	18		27-32-11	D04507J	12		N2	1		
204R	24	PW	D00823	16		27-32-11	D04507J	11		N2	2		
204Z			D00823	DED		27-32-11	D04507J			N2	2		
205B	24	PW	D00815	19		31-51-21	SM00007		W	N2	1		
205R	24	PW	D00815	52		31-51-21	SM00006		W	N2	2		
205Z			D00815	DED		31-51-21	SM00006	REF		N2	2		
207	20	UA	D04597J			31-51-21	GDX0004	S..	2	N2	2		
207B	24	PW	SM00007		W	31-51-21	D04597J	4		N2	1		
207R	24	PW	SM00006		W	31-51-21	D04597J	3		N2	2		
207Z			SM00006	REF		31-51-21	D04597J			N2	2		
208	20	UA	D04301J			34-16-11	GDX0002	S..	2	N2	2		
208B	24	PW	D00821	36		34-16-11	D04301J	9		N2	2		
208R	24	PW	D00821	2		34-16-11	D04301J	8		N2	2		
208Z			D00821	DED		34-16-11	D04301J			N2	2		
209B	24	PW	D01489	46		31-51-33	SM00007		W	N2	1		
209R	24	PW	D01489	12		31-51-33	SM00006		W	N2	2		
209Z			D01489	DED		31-51-33	SM00006	REF		N2	2		

286T0045-0BB
Wire Bundle Assembly
Figure 140 (Sheet 9)

25-71-02



BOEING
COMPONENT
MAINTENANCE MANUAL

WIRE			FROM EQUIPMENT			TO EQUIPMENT			WIRE INFO				
NUMBER	GA	TYP	NUMBER	TERM	TTF	WDM REF	NUMBER	TERM	TTF	EMC/ SUP	FT	NOTE	EFFECTIVITY
212B	24	PW	D01433	36		31-51-42	SM00007			N2	1		
212R	24	PW	D01433	2		31-51-42	SM00006			N2			
212Z			D01433	DED		31-51-42	SM00006	REF		N2			
213	20	UA	D04507J			34-16-11	GDX0004	S..		N2	2		
213B	24	PW	D00821	35		34-16-11	D04507J	8		N2	2		
213R	24	PW	D00821	1		34-16-11	D04507J	9		N2			
213Z			D00821	DED		34-16-11	D04507J			N2			
214	20	UA	D04349J			34-16-11	GDX0004	S..		N2	2		
214B	24	PW	D00821	37		34-16-11	D04349J	19		N2	2		
214R	24	PW	D00821	3		34-16-11	D04349J	18		N2			
214Z			D00821	DED		34-16-11	D04349J			N2			
215B	24	PL	D01487	24		31-51-31	D04597J	12		N2	2		
215R	24	PL	D01487	23		31-51-31	D04597J	13		N2			
216B	24	PL	D00817	24		31-51-32	D04303J	12		N2	2		
216R	24	PL	D00817	23		31-51-32	D04303J	11		N2			
221B	24	PW	D01489	45		31-51-33	SM00004			N2	1		
221R	24	PW	D01489	11		31-51-33	SM00003			N2			
221Z			D01489	DED		31-51-33	SM00003	REF		N2			
223B	24	PW	D00821	38		34-16-11	SM00004			N2	1		
223R	24	PW	D00821	4		34-16-11	SM00003			N2			
223Z			D00821	DED		34-16-11	SM00003	REF		N2			
224	20	UA	D04349J			27-32-21	GDX0004	S..		N2	2		
224B	24	PW	D04349J	28		27-32-21	D01381	18		N2	2		
224R	24	PW	D04349J	27		27-32-21	D01381	16		N2			
224Z			D04349J	DED		27-32-21	D01381	DED		N2			
225B	22	PR	D00811	69		31-51-11	SM00060			N2	2		
225R	22	PR	D00811	68		31-51-11	SM00060			N2			
225Z			D00811	DED		31-51-11	SM00028	REF		N2			
226B	22	PR	D00813	69		31-51-12	SM00061			N2	2		
226R	22	PR	D00813	68		31-51-12	SM00061			N2			
226Z			D00813	DED		31-51-12	SM00030	REF		N2			

286T0045-0BB
Wire Bundle Assembly
Figure 140 (Sheet 10)

25-71-02

WIRE			FROM EQUIPMENT			TO EQUIPMENT			WIRE INFO				
NUMBER	GA	TYP	NUMBER	TERM	TT	WDM REF	NUMBER	TERM	TT	EMC/ SUP	FT	NOTE	EFFECTIVITY
230	20	UA	D04347J			31-51-33	GDX0003	S..	2	N2	2		
230B	24	PW	D04347J	18		31-51-33	SM00004		W	N2	1		
230R	24	PW	D04347J	17		31-51-33	SM00003		W	N2			
230Z	20	UA	D04347J			31-51-33	SM00003	REF		N2			
236	20	UA	D04347J			27-32-11	GDX0001	S..	2	N2	2		
236B	24	PW	D04347J	37		27-32-11	D00823	54		N2	2		
236R	24	PW	D04347J	36		27-32-11	D00823	23		N2			
236Z	24	PW	D04347J			27-32-11	D00823	DED		N2			
237B	24	PW	D04347J	40		27-32-11	D00823	13		N2	2		
237R	24	PW	D04347J	39		27-32-11	D00823	12		N2			
237Z	20	UA	D04347J			27-32-11	D00823	DED		N2			
238	20	UA	D04349J			27-32-21	GDX0001	S..	2	N2	2		
238B	24	PW	D04349J	49		27-32-21	D01381	54		N2	2		
238R	24	PW	D04349J	48		27-32-21	D01381	23		N2			
238Z	24	PW	D04349J			27-32-21	D01381	DED		N2			
239B	24	PW	D01381	20		27-32-21	D04349J	55		N2	2		
239R	24	PW	D01381	19		27-32-21	D04349J	54		N2			
239Z	20	UA	D01381	DED		27-32-21	D04349J			N2			
240B	24	PL	D04347J	23		31-51-31	SM00080		W	N2	1		
240R	24	PL	D04347J	22		31-51-31	SM00042		W	N2			
241B	24	PL	D01487	60		31-51-31	SM00080		W	N2	1		
241R	24	PL	D01487	28		31-51-31	SM00042		W	N2			
242B	24	PL	D00817	60		31-51-32	SM00080		W	N2	1		
242R	24	PL	D00817	28		31-51-32	SM00042		W	N2			
243B	24	PW	D04349J	52		27-32-21	D01381	13		N2	2		
243R	24	PW	D04349J	51		27-32-21	D01381	12		N2			
243Z	24	PW	D04349J			27-32-21	D01381	DED		N2			
245B	24	PW	D00823	20		27-32-11	D04347J	48		N2	2		
245R	24	PW	D00823	19		27-32-11	D04347J	47		N2			
245Z	20	UA	D00823	DED		27-32-11	D04347J			N2			
247	20	UA	D04349J			31-41-35	GDX0006	S..	2	N2	2		

286T0045-0BB
Wire Bundle Assembly
Figure 140 (Sheet 11)

25-71-02



BOEING
COMPONENT
MAINTENANCE MANUAL

WIRE			FROM EQUIPMENT			TO EQUIPMENT			WIRE INFO				
NUMBER	GA	TYP	NUMBER	TERM	TT	WDM REF	NUMBER	TERM	TT	EMC/ SUP	FT	NOTE	EFFECTIVITY
247B	24	PW	D02261	42		31-41-35	D04349J	57		N2	2		
247R	24	PW	D02261	43		31-41-35	D04349J	56		N2			
247Z			D02261	DED		31-41-35	D04349J			N2			
248	20	UA	D04349J			28-41-11	GDX0006	S..	2	N2	2		
248B	24	PW	D02261	5		28-41-11	D04349J	60		N2	2		
248R	24	PW	D02261	8		28-41-11	D04349J	59		N2			
248Z			D02261	DED		28-41-11	D04349J			N2			
271B	24	PL	D04597J	5		31-51-31	SM00088		W	N2	1		
271R	24	PL	D04597J	2		31-51-31	SM00087		W	N2	1		
272B	24	PL	D01487	63		31-51-31	SM00088		W	N2			
272R	24	PL	D01487	62		31-51-31	SM00087		W	N2			
273B	24	PL	D00817	63		31-51-32	SM00088		W	N2	1		
273R	24	PL	D00817	62		31-51-32	SM00087		W	N2			
289	24	PK	D01489	21		31-51-33	D04509J	5		N2	2		
290B	24	PW	D04597J	8		34-43-15	SM00104		W	N2	1		
290R	24	PW	D04597J	7		34-43-15	SM00103		W	N2			
290Z			D04597J	9		34-43-15	SM00103	REF		N2			
291B	24	PW	D04303J	4		34-43-15	SM00104		W	N2	1		
291R	24	PW	D04303J	3		34-43-15	SM00103		W	N2			
291Z			D04303J	5		34-43-15	SM00103	REF		N2			
292B	24	PW	D04347J	53		34-43-15	SM00104		W	N2	1		
292R	24	PW	D04347J	51		34-43-15	SM00103		W	N2			
292Z			D04347J	61		34-43-15	SM00103	REF		N2			
301	20	UA	SM00028	REF		31-51-11	GDX0005	S..	2	N2	1		
301B	22	PS	D00811	57		31-51-11	SM00028		W	N2	2		
301R	22	PS	D00811	38		31-51-11	SM00028		W	N2			
301Y	22	PS	D00811	58		31-51-11	SM00028		W	N2			
301Z			D00811	DED		31-51-11	SM00028	REF		N2			
302B	22	PS	D00811	42		31-51-11	SM00029		W	N2	2		
302R	22	PS	D00811	41		31-51-11	SM00029		W	N2			
302Y	22	PS	D00811	43		31-51-11	SM00029		W	N2			

286T0045-0BB
Wire Bundle Assembly
Figure 140 (Sheet 12)

25-71-02

TESTING & TROUBLE SHOOTING

01

Page 192A

Nov 01/02

WIRE			FROM EQUIPMENT			TO EQUIPMENT			WIRE INFO				
NUMBER	GA	TYP	NUMBER	TERM	TT	WDM REF	NUMBER	TERM	TT	EMC/ SUP	FT	NOTE	EFFECTIVITY
302Z			D00811	DED		31-51-11	SM00028	REF		N2			
303B	22	PS	D00811	8		31-51-11	SM00026		W	N2	2		
303R	22	PS	D00811	7		31-51-11	SM00026		W	N2			
303Y	22	PS	D00811	9		31-51-11	SM00026		W	N2			
303Z			D00811	DED		31-51-11	SM00028	REF		N2			
304B	22	PS	D00811	25		31-51-11	SM00027		W	N2	2		
304R	22	PS	D00811	24		31-51-11	SM00027		W	N2			
304Y	22	PS	D00811	37		31-51-11	SM00027		W	N2			
304Z			D00811	DED		31-51-11	SM00028	REF		N2			
305	20	UA	SM00030	REF		31-51-12	GDX0005	S..	2	N2	1		
305B	22	PS	D00813	8		31-51-12	SM00030		W	N2	2		
305R	22	PS	D00813	7		31-51-12	SM00030		W	N2			
305Y	22	PS	D00813	9		31-51-12	SM00030		W	N2			
305Z			D00813	DED		31-51-12	SM00030	REF		N2			
306B	22	PS	D00813	25		31-51-12	SM00031		W	N2	2		
306R	22	PS	D00813	24		31-51-12	SM00031		W	N2			
306Y	22	PS	D00813	37		31-51-12	SM00031		W	N2			
306Z			D00813	DED		31-51-12	SM00030	REF		N2			
307B	22	PS	D00813	57		31-51-12	SM00032		W	N2	2		
307R	22	PS	D00813	38		31-51-12	SM00032		W	N2			
307Y	22	PS	D00813	58		31-51-12	SM00032		W	N2			
307Z			D00813	DED		31-51-12	SM00030	REF		N2			
308B	22	PS	D00813	42		31-51-12	SM00033		W	N2	2		
308R	22	PS	D00813	41		31-51-12	SM00033		W	N2			
308Y	22	PS	D00813	43		31-51-12	SM00033		W	N2			
308Z			D00813	DED		31-51-12	SM00030	REF		N2			
512	24	PK	D02261	20		27-81-31	D04349J	8		N2	2		
601	20	PA	SM00060		W	31-51-11	GDX0004	D..	2	N2			
602	20	PA	SM00061		W	31-51-12	GDX0005	D..	2	N2			
603	24	PV	D04301J	5		31-51-12	M01103	INE	D	N2	1		
603Z			D04301J	DED		31-51-12	M01103			N2			

286T0045-0BB
Wire Bundle Assembly
Figure 140 (Sheet 13)

25-71-02



BOEING
COMPONENT
MAINTENANCE MANUAL

WIRE		FROM EQUIPMENT			TO EQUIPMENT			WIRE INFO					
NUMBER	GA	TYP	NUMBER	TERM	TT	WDM REF	NUMBER	TERM	TT	EMC/ SUP	FT	NOTE	EFFECTIVITY
604	24	PV	D04301J	4		31-51-12	D00813	4		N2	3		
604Z			D04301J	DED		31-51-12	D00813			N2			
605	24	PV	D00813	1		31-51-12	M01103	OAD	D	N2	3		
605Z			D00813			31-51-12	M01103	DED		N2			
606	24	PV	D04349J	32		31-51-11	M01102	INE	D	N2	1		
606Z			D04349J	DED		31-51-11	M01102			N2			
607	24	PV	D04349J	33		31-51-11	D00811	4		N2	3		
607Z			D04349J	DED		31-51-11	D00811			N2			
608	24	PV	D00811	1		31-51-11	M01102	OAD	D	N2	3		
608Z			D00811			31-51-11	M01102	DED		N2			
610	24	PK	D00823	37		27-32-11	SM00050		W	N2	1		
611	24	PK	D01433	6		31-51-42	D04347J	20		N2	2		
612	24	PK	D01433	4		31-51-42	SM00050		W	N2	1		
613	24	PK	D04349J	30		31-51-31	SM00065		W	N2	1		
614	24	PK	D01487	52		31-51-31	SM00065		W	N2	1		
615	24	PK	D00817	52		31-51-32	SM00065		W	N2	1		
617	24	PK	D01381	11		27-32-12	D00823	56		N2	1		
618	24	PK	D01381	56		27-32-12	D00823	11		N2	1		
619	24	PK	D00823	45		27-32-12	SM00082		W	N2	1		
620	24	PK	D04349J	29		31-51-21	SM00071		W	N2	1		
621	24	PK	D00815	7		31-51-21	SM00071		W	N2	1		
622	24	PK	D01489	2		31-51-33	SM00071		W	N2	1		
623	24	PK	D01489	36		31-51-33	SM00038		W	N2	1		
624	24	PK	D00815	8		31-51-21	SM00045		W	N2	1		
625	24	PK	D01487	9		31-51-31	SM00034		W	N2	1		
628	22	PA	D01487	20		31-51-31	GDX0006	D..	2	N2	2		
630	22	PA	D01487	21		31-51-31	GDX0006	D..	2	N2	2		
631	24	PK	D00817	9		31-51-32	SM00034		W	N2	1		
634	22	PA	D00817	20		31-51-32	GDX0006	D..	2	N2	2		
636	22	PA	D00817	21		31-51-32	GDX0006	D..	2	N2	2		
644	22	PQ	D00823	66		27-32-31	D04347J	42		N2	2		

286T0045-0BB
Wire Bundle Assembly
Figure 140 (Sheet 14)

25-71-02

WIRE			FROM EQUIPMENT			TO EQUIPMENT			WIRE INFO				
NUMBER	GA	TYP	NUMBER	TERM	TT	WDM REF	NUMBER	TERM	TT	EMC/ SUP	FT	NOTE	EFFECTIVITY
644Z			D00823	DED		27-32-31	D04347J	DED		N2			
646	22	FQ	D01381	66		27-32-31	D04349J	42		N2	2		
646Z			D01381	DED		27-32-31	D04349J	DED		N2			
681	24	PK	D01433	10		31-51-43	D04507J	10		N2	2		
682	24	PK	D01433	13		31-51-43	D04347J	46		N2	2		
683	22	PA	D01433	41		31-51-43	SM00081	47	W	N2	1		
684	20	PA	GDX0001	D..	2	31-51-43	D04349J	47		N2	2		
685	24	PK	D00823	58		27-32-12	D01505	A1		N2	2		
686	24	PK	D00823	8		27-32-11	SM00038		W	N2	1		
687	24	PK	D00823	64		27-32-11	SM00081		W	N2	1		
688	24	PK	D01381	58		27-32-22	D01503	A1		N2	2		
689	24	PK	D01381	45		27-32-22	SM00085		W	N2	1		
692	24	PK	D01381	8		27-32-21	SM00038		W	N2	1		
693	24	PK	D04347J	30		31-51-21	D00815	6		N2	2		
694	22	PA	D04349J	46		31-51-43	SM00081		W	N2	1		
696	20	PA	GDX0003	D..	2	27-32-12	SM00082		W	N2	1		
697	20	PA	GDX0003	D..	2	27-32-22	SM00085		W	N2	1		
701	24	PK	D00815	49		31-51-21	D00815	22		N2			
702	24	PK	D00815	16		31-51-21	D00815	48		N2			
703	24	PK	D00819	6		31-51-41	SM00019		W	N2	1		
704	24	PK	SM00075		W	31-51-41	D04511J	14		N2	1		
705	24	PK	D00819	45		31-51-41	D04511J	12		N2	2		
706	24	PK	D00819	10		31-51-41	D04349J	31		N2	2		
707	24	PK	D00819	21		31-51-41	D04509J	4		N2	2		
708	24	PK	D00819	9		31-51-41	D04349J	7		N2	2		
709	24	PK	D00819	39		31-51-41	SM00044		W	N2	1		
710	24	PK	D00819	43		31-51-41	SM00037		W	N2	1		
711	24	PK	D00819	12		31-51-41	D04349J	21		N2	2		
712	24	PK	D00819	53		31-51-41	D04349J	3		N2	2		
713	24	PK	D00819	20		31-51-41	D04347J	9		N2	2		
714	24	PK	D00819	44		31-51-41	D04349J	24		N2	2		

286T0045-0BB
Wire Bundle Assembly
Figure 140 (Sheet 15)

25-71-02



BOEING
COMPONENT
MAINTENANCE MANUAL

WIRE		FROM EQUIPMENT			TO EQUIPMENT			WIRE INFO					
NUMBER	GA	TYP	NUMBER	TERM	TT	WDM REF	NUMBER	TERM	TT	EMC/ SUP	FT	NOTE	EFFECTIVITY
715	24	PK	D04507J	6		31-51-42	SM00019		W	N2	1		
716	24	PK	D01433	34		31-51-42	SM00019		W	N2	1		
717	24	PK	D01433	37		31-51-42	SM00034		W	N2	1		
718	24	PK	D01433	39		31-51-42	D04509J	2		N2	2		
720	24	PK	D01433	52		31-51-42	SM00040		W	N2	1		
721	24	PK	D01433	38		31-51-42	D04347J	24		N2	2		
722	24	PK	D01433	5		31-51-42	D04349J	22		N2	2		
723	24	PK	D04511J	11		31-51-42	SM00038		W	N2	1		
724	24	PK	D01433	40		31-51-42	SM00038		W	N2	1		
725	24	PK	D01433	3		31-51-42	D04347J	13		N2	2		
726	22	PA	D04347J	14		31-51-21	SM00036		W	N2	1		
727	22	PA	D04301J	11		31-51-21	SM00035		W	N2	1		
728	24	PK	D04347J	1		31-51-41	D00819	35		N2	2		
729	24	PK	D04347J	2		31-51-41	D00819	1		N2	2		
730	24	PK	D04347J	3		31-51-41	D00819	36		N2	2		
731	24	PK	D04347J	4		31-51-41	D00819	2		N2	2		
732	24	PK	D04347J	5		31-51-42	D01433	20		N2	2		
733	24	PK	D04347J	16		34-16-11	D00821	65		N2	2		
734	24	PK	D04347J	8		31-51-31	SM00046		W	N2	1		
735	24	PK	D04507J	7		34-16-11	D00821	34		N2	2		
736	24	PK	D04507J	2		34-16-11	D00821	66		N2	2		
737	24	PK	SM00041		W	34-16-11	D00821	31		N2	1		
738	24	PK	D04347J	19		34-16-11	D00821	7		N2	2		
739	24	PK	SM00075		W	34-16-11	D00821	6		N2	1		
740	24	PK	SM00038		W	34-16-11	D00821	40		N2	1		
741	24	PK	D00821	18		34-16-11	D00821	22		N2			
742	24	PK	D00821	50		34-16-11	D00821	48		N2			
746	24	PK	D04597J	10		31-51-31	SM00043		W	N2	1		
747	24	PK	D01487	46		31-51-31	SM00043		W	N2	1		
748	24	PK	D04347J	7		31-51-31	SM00045		W	N2	1		
749	24	PK	D01487	10		31-51-31	SM00045		W	N2	1		

286T0045-0BB
Wire Bundle Assembly
Figure 140 (Sheet 16)

25-71-02

TESTING & TROUBLE SHOOTING

01

Page 192E

Nov 01/02

WIRE			FROM EQUIPMENT			TO EQUIPMENT			WIRE INFO				
NUMBER	GA	TYP	NUMBER	TERM	TT	WDM REF	NUMBER	TERM	TT	EMC/ SUP	FT	NOTE	EFFECTIVITY
750	24	PK	D01487	19		31-51-31	SM00046		W	N2	1		
751	24	PK	D01487	13		31-51-31	SM00040		W	N2	1		
752	24	PK	D01487	47		31-51-31	SM00044		W	N2	1		
753	24	PK	D01487	51		31-51-31	SM00041		W	N2	1		
755	24	PV	D01487	1		31-51-31	SM00035		W	N2	1		
755Z			D01487	DED		31-51-31	SM00035	DED		N2			
756	24	PK	D01487	50		31-51-31	SM00036		W	N2	1		
757	24	PK	D01487	49		31-51-31	SM00039		W	N2	1		
758	24	PK	D01487	22		31-51-31	D01489	23		N2	2		
759	24	PK	D01487	55		31-51-31	D01489	47		N2	2		
760	24	PK	D01487	34		31-51-31	D01489	51		N2	2		
761	24	PK	D01487	66		31-51-31	D01489	57		N2	2		
762	24	PK	D00817	10		31-51-32	SM00045		W	N2	1		
763	24	PK	D00817	46		31-51-32	SM00043		W	N2	1		
764	24	PV	D00817	1		31-51-32	SM00035		W	N2	1		
764Z			D00817	DED		31-51-32	SM00035	DED		N2			
765	24	PK	D00817	50		31-51-32	SM00036		W	N2	1		
766	24	PV	D00817	49		31-51-32	SM00053		W	N2	1		
766Z			D00817	DED		31-51-32	SM00053	DED		N2			
767	24	PK	D00817	19		31-51-32	SM00046		W	N2	1		
768	24	PK	D00817	13		31-51-32	SM00040		W	N2	1		
769	24	PK	D00817	47		31-51-32	SM00044		W	N2	1		
770	24	PK	D00817	51		31-51-32	SM00041		W	N2	1		
772	24	PK	D00817	22		31-51-32	D01489	54		N2	2		
773	24	PK	D00817	55		31-51-32	D01489	13		N2	2		
774	24	PK	D00817	34		31-51-32	D01489	25		N2	2		
775	24	PK	D00817	66		31-51-32	D01489	58		N2	2		
776	24	PK	D01489	42		31-51-33	D04347J	15		N2	2		
777	24	PK	D01489	8		31-51-33	D04349J	13		N2	2		
779	24	PK	D01489	35		31-51-33	D04349J	40		N2	2		
780	24	PK	D01489	53		31-51-33	D04349J	2		N2	2		

286T0045-0BB
Wire Bundle Assembly
Figure 140 (Sheet 17)

25-71-02



BOEING
COMPONENT
MAINTENANCE MANUAL

WIRE			FROM EQUIPMENT			TO EQUIPMENT			WIRE INFO				
NUMBER	GA	TYP	NUMBER	TERM	TT	WDM REF	NUMBER	TERM	TT	EMC/ SUP	FT	NOTE	EFFECTIVITY
781	24	PK	D01489	31		31-51-33	D01489	48		N2			
782	24	PK	D01489	18		31-51-33	D01489	22		N2			
783	24	PK	D01489	38		31-51-33	SM00008		W	N2	1		
784	24	PK	D01489	4		31-51-33	SM00011		W	N2	1		
785	24	PK	D01489	37		31-51-33	SM00012		W	N2	1		
786	24	PK	D01489	3		31-51-33	SM00010		W	N2	1		
787	24	PK	D01489	1		31-51-33	SM00009		W	N2	1		
788	24	PK	D01489	6		31-51-33	SM00034		W	N2	1		
789	24	PK	D01489	41		31-51-33	D04509J	11		N2	2		
791	24	PK	D01489	7		31-51-33	D04509J	10		N2	2		
792	24	PK	D01489	40		31-51-33	D04509J	9		N2	2		
793	24	PK	D00819	11		31-51-41	SM00075		W	N2	1		
794	20	PA	D04303J	10		31-51-32	GDX0004	S..	2	N2	2		
795	24	PK	D01433	9		31-51-42	D01433	48		N2			
796	24	PK	D01433	22		31-51-42	D01433	50		N2			
797	24	PV	D00815	41		31-51-21	SM00053		W	N2	1		
797Z			D00815	DED		31-51-21	SM00053	DED		N2			
798	24	PV	D04349J	9		31-51-21	SM00053		W	N2	1		
798Z			D04349J	DED		31-51-21	SM00053	DED		N2			
817	24	PK	D00823	55		27-32-12	D11553	6		N2	2		
818	24	PK	D00823	21		27-32-12	D11553	4		N2	2		
819	24	PK	D00823	51		27-32-12	D11553	3		N2	2		
820	24	PK	D00823	50		27-32-12	D11553	2		N2	2		
821	24	PK	D00823	49		27-32-12	D11553	7		N2	2		
822	24	PK	D00823	47		27-32-12	D11553	8		N2	2		
823	24	PK	D00823	46		27-32-12	D11553	9		N2	2		
824	24	PK	D00823	53		27-32-12	D11553	5		N2	2		
825	24	PK	D00823	62		27-32-12	D11553	24		N2	2		
826	24	PK	D01381	55		27-32-22	D11553	16		N2	2		
827	24	PK	D01381	21		27-32-22	D11553	14		N2	2		
828	24	PK	D01381	51		27-32-22	D11553	13		N2	2		

286T0045-0BB
Wire Bundle Assembly
Figure 140 (Sheet 18)

25-71-02

TESTING & TROUBLE SHOOTING

01

Page 192G

Nov 01/02

WIRE			FROM EQUIPMENT			TO EQUIPMENT			WIRE INFO				
NUMBER	GA	TYP	NUMBER	TERM	TT	WDM REF	NUMBER	TERM	TT	EMC/ SUP	FT	NOTE	EFFECTIVITY
829	24	PK	D01381	50		27-32-22	D11553	12		N2	2		
830	24	PK	D01381	49		27-32-22	D11553	17		N2	2		
831	24	PK	D01381	47		27-32-22	D11553	18		N2	2		
832	24	PK	D01381	46		27-32-22	D11553	19		N2	2		
833	24	PK	D01381	53		27-32-22	D11553	15		N2	2		
834	24	PK	D01381	62		27-32-22	D11553	34		N2	2		
835	24	PK	D04349J	50		27-32-21	D01381	64		N2	2		
836	20	PA	D04349J	53		27-32-21	GDX0002	S..	2	N2	2		
837	24	PK	D00823	42		27-32-12	SM00082		W	N2	1		
838	24	PK	D01381	42		27-32-22	SM00085		W	N2	1		
842	24	PK	D01381	6		27-32-22	SM00085		W	N2	1		
843	24	PK	D00823	6		27-32-12	SM00082		W	N2	1		
862	22	PA	D02261	30		31-41-35	GDX0006	S..	2	N2	1		
863	22	PA	D02261	32		31-41-35	GDX0006	S..	2	N2	1		
864	22	PA	D02261	33		31-41-35	GDX0006	S..	2	N2	1		
865	22	PA	D02261	64		31-41-35	GDX0006	S..	2	N2	1		
866	24	PV	D02261	27		31-51-11	SM00018		W	N2	1		
866Z			D02261	DED		31-51-11	SM00018	REF		N2			
867	24	PV	D02261	28		31-51-11	SM00047		W	N2	1		
867Z			D02261	DED		31-51-11	SM00047	REF		N2			
868	24	PV	D02261	29		31-51-12	SM00054		W	N2	1		
868Z			D02261	DED		31-51-12	SM00054	REF		N2			
869	24	PK	D02261	34		31-51-12	SM00025		W	N2	1		
870	22	PA	D02261	56		31-51-12	GDX0001	S..	2	N2	2		
871	22	PA	D02261	57		31-51-12	GDX0003	S..	2	N2	2		
872	22	PA	D02261	59		31-51-11	GDX0005	S..	2	N2	1		
873	24	PV	D02261	60		31-51-12	SM00055		W	N2	1		
873Z			D02261	DED		31-51-12	SM00055	REF		N2			
874	24	PV	D02261	62		31-51-11	SM00049		W	N2	1		
874Z			D02261	DED		31-51-11	SM00049	REF		N2			
875	24	PV	D02261	63		31-51-12	SM00056		W	N2	1		

286T0045-0BB
Wire Bundle Assembly
Figure 140 (Sheet 19)

25-71-02



BOEING
COMPONENT
MAINTENANCE MANUAL

WIRE			FROM EQUIPMENT				TO EQUIPMENT				WIRE INFO			
NUMBER	GA	TYP	NUMBER	TERM	TT	WDM REF	NUMBER	TERM	TT	EMC/ SUP	FT	NOTE	EFFECTIVITY	
875Z			D02261	DED		31-51-12	SM00056	REF		N2	1			
876	24	PK	D02261	65		31-51-11	SM00022		W	N2	2			
877	24	PV	D00811	14		31-51-11	SM00018		W	N2	2			
877Z			D00811	DED		31-51-11	SM00018	REF		N2	2			
878	24	PV	D00811	48		31-51-11	SM00047		W	N2	2			
878Z			D00811	DED		31-51-11	SM00047	REF		N2	2			
879	24	PV	D00811	23		31-51-11	SM00049		W	N2	2			
879Z			D00811	DED		31-51-11	SM00049	REF		N2	2			
880	24	PV	D00813	14		31-51-12	SM00054		W	N2	2			
880Z			D00813	DED		31-51-12	SM00054	REF		N2	2			
881	24	PV	D00813	48		31-51-12	SM00055		W	N2	2			
881Z			D00813	DED		31-51-12	SM00055	REF		N2	2			
882	24	PV	D00813	23		31-51-12	SM00056		W	N2	2			
882Z			D00813	DED		31-51-12	SM00056	REF		N2	2			
883	22	PA	D02261	15		38-32-11	D04349J	26		N2	2			
884	22	PA	D02261	47		38-32-11	D04347J	27		N2	2			
885	24	PK	D04303J	9		31-51-21	SM00057		W	N2	1			
886	24	PK	D04507J	3		31-51-21	SM00058		W	N2	1			
887	24	PK	D04507J	1		31-51-21	SM00058		W	N2	1			
888	24	PK	SM00057		W	31-51-21	D04349J	44		N2	1			

286T0045-0BB
Wire Bundle Assembly
Figure 140 (Sheet 20)

25-71-02

WIRE			FROM EQUIPMENT				TO EQUIPMENT				WIRE INFO			
NUMBER	GA	TYP	NUMBER	TERM	TT	WDM REF	NUMBER	TERM	TT	EMC/SEP	FT	NOTE	EFFECTIVITY	
FRA			M01103			31-51-12	M01103	GND	D	N2				
FRB			D00813			31-51-12	D00813	59		N2				
FRC			M01102			31-51-11	M01102	GND	D	N2				
FRD			D00811			31-51-11	D00811	59		N2				
FRG			D04349J	58		31-41-35	D04349J			N2				
FRH			D04349J	61		28-41-11	D04349J			N2				
PA1			D00815	47		99-99-99	D00815	63		N2		DAW-B2		
PA2			D00817	8		99-99-99	D00817	57		N2		DAW-B2		
PA3			D00819	41		99-99-99	D00819	55		N2		DAW-B2		
PA4			D00821	43		99-99-99	D00821	60		N2		DAW-B2		
PA5			D00823	52		99-99-99	D00823	65		N2		DAW-B2		
PA6			D01433	44		99-99-99	D01433	61		N2		DAW-B2		
PA7			D01381	52		99-99-99	D01381	65		N2		DAW-B2		
PA8			D01487	8		99-99-99	D01487	57		N2		DAW-B2		
PA9			D01489	56		99-99-99	D01489	65		N2		DAW-B2		
PB1			D01739	7		99-99-99	D01739	62		N2		DAW-B2		
PB2			D01741	7		99-99-99	D01741	62		N2		DAW-B2		
PB4			D02261	54		99-99-99	D02261	61		N2		DAW-B2		
P01		SE	D11553							N2				
1	22	PA	D00811	60		31-51-11	GDX0001	S..	2	N2	3	UAE-F2		
2	22	PA	D00821	14		31-51-11	GDX0002	D..	2	N2	2			
3	24	PV	SM00068		W	31-51-11	D00821	27		N2	1			
003Z			SM00068	REF		31-51-11	D00821			N2				
4	24	PV	SM00069		W	31-51-11	D00821	32		N2	1			
004Z			SM00069	REF		31-51-11	D00821			N2				
5	24	PV	D00811	35		31-51-11	D00821	17		N2	3			
005Z			D00811	DED		31-51-11	D00821			N2				
6	24	PK	SM00022		W	31-51-11	D00821	51		N2	1			
7	24	PK	D00811	65		31-51-11	SM00022		W	N2	2			
8	24	PK	D00819	37		31-51-11	SM00022		W	N2	1			
9	24	PV	D00819	27		31-51-11	D00811	13		N2	3			

286T0045-0BC
Wire Bundle Assembly
Figure 141 (Sheet 1)

25-71-02



BOEING
COMPONENT
MAINTENANCE MANUAL

WIRE			FROM EQUIPMENT			TO EQUIPMENT			WIRE INFO				
NUMBER	GA	TYP	NUMBER	TERM	TT	WDM REF	NUMBER	TERM	TT	EMC/SEP	FT	NOTE	EFFECTIVITY
009Z			D00811	DED		31-51-11	D00819			N2			
10	22	PA	D00819	14		31-51-11	GDX0001	D..	2	N2	2		
11	24	PK	D01433	51		31-51-11	SM00022		W	N2	1		
12	24	PV	SM00018		W	31-51-11	D01433	27		N2	1		
012Z			SM00018	REF		31-51-11	D01433			N2			
13	24	PV	SM00047		W	31-51-11	D01433	32		N2	1		
013Z			SM00047	REF		31-51-11	D01433			N2			
14	24	PV	SM00049		W	31-51-11	D01433	17		N2	1		
014Z			SM00049	REF		31-51-11	D01433			N2			
15	22	PA	D01433	14		31-51-11	GDX0001	D..	2	N2	2		
16	20	PA	SM00028		W	31-51-11	GDX0005	D..	2	N2	2		
17	20	UA	GDX0002	S..	2	31-51-11	D00821			N2	2		
18	20	UA	GDX0005	S..	2	31-51-11	D00819			N2	2		
19	20	UA	D01433		2	31-51-11	GDX0002	S..	2	N2	2		
20	20	PA	GDX0005	D..	2	31-51-11	SM00029		W	N2	2		
21	20	UA	GDX0002	S..	2	31-51-11	D01503			N2	2		
23	20	UA	D00815			31-51-11	GDX0002	S..	2	N2	2		
24	24	PK	D04349J	38		31-51-11	SM00005		W	N2	1		
25	24	PK	D01503	A2		31-51-11	SM00005		W	N2	1		
26	20	PA	D01503	A3		31-51-11	GDX0003	D..	2	N2	2		
27	22	PQ	D01503	X2		31-51-11	D00811	75		N2	4		
027Z			D00811	DED		31-51-11	D01503			N2			
28	24	PV	D01503	X1		31-51-11	SM00015		W	N2	1		
028Z			SM00015	REF		31-51-11	D01503			N2			
29	24	PV	D00811	46		31-51-11	SM00015		W	N2	2		
029Z			SM00015	REF		31-51-11	D00811	DED		N2			
30	24	PK	SM00015		W	31-51-11	D11553	35		N2	1		
32	20	PA	D11553	11		31-51-11	GDX0003	D..	2	N2	2		
33	24	PK	D11553	37		31-51-11	D00811	34		N2	4		
34	24	PK	D11553	36		31-51-11	D00811	33		N2	4		
35	22	PA	D00815	14		31-51-11	GDX0001	D..	2	N2	2		

286T0045-0BC
Wire Bundle Assembly
Figure 141 (Sheet 2)

25-71-02

TESTING & TROUBLE SHOOTING

01

Page 192K

Nov 01/02

WIRE			FROM EQUIPMENT			TO EQUIPMENT			WIRE INFO				
NUMBER	GA	TYP	NUMBER	TERM	TT	WDM REF	NUMBER	TERM	TT	EMC/SEP	FT	NOTE	EFFECTIVITY
36	24	PV	D00815	27		31-51-11	D00811	12		N2	3		
036Z			D00811	DED		31-51-11	D00815			N2			
37	24	PV	D00815	32		31-51-11	D00811	17		N2	3		
037Z			D00811	DED		31-51-11	D00815			N2			
38	24	PV	D00815	17		31-51-11	D00811	22		N2	3		
038Z			D00811	DED		31-51-11	D00815			N2			
39	24	PK	D00815	54		31-51-11	SM00020		W	N2	1		
40	24	PK	D00811	63		31-51-11	SM00020		W	N2	2		
41	24	PK	D00823	35		31-51-11	SM00020		W	N2	1		
42	24	PK	D01381	35		31-51-11	SM00020		W	N2	1		
45	22	PA	D01381	14		31-51-11	GDX0001	D..	2	N2	2		
46	22	PA	D01381	48		31-51-11	GDX0003	D..	2	N2	2		
47	24	PV	D01381	27		31-51-11	D00811	11		N2	3		
047Z			D00811	DED		31-51-11	D01381			N2			
48	24	PV	D01381	32		31-51-11	D00811	16		N2	3		
048Z			D00811	DED		31-51-11	D01381			N2			
49	24	PV	D01381	17		31-51-11	D00811	21		N2	3		
049Z			D00811	DED		31-51-11	D01381			N2			
52	22	PA	D00823	14		31-51-11	GDX0001	D..	2	N2	2		
53	22	PA	D00823	48		31-51-11	GDX0003	D..	2	N2	2		
54	24	PV	D00823	27		31-51-11	D00811	10		N2	3		
054Z			D00811	DED		31-51-11	D00823			N2			
55	24	PV	D00823	32		31-51-11	D00811	15		N2	3		
055Z			D00811	DED		31-51-11	D00823			N2			
56	24	PV	D00823	17		31-51-11	D00811	20		N2	3		
056Z			D00811	DED		31-51-11	D00823			N2			
57	22	PA	D00817	14		31-51-11	GDX0002	D..	2	N2	2		
58	24	PV	D00817	27		31-51-11	D00811	51		N2	3		
058Z			D00811	DED		31-51-11	D00817			N2			
59	24	PV	D00817	32		31-51-11	D00811	74		N2	3		
059Z			D00811	DED		31-51-11	D00817			N2			

286T0045-OBC
Wire Bundle Assembly
Figure 141 (Sheet 3)

25-71-02



BOEING
COMPONENT
MAINTENANCE MANUAL

WIRE		FROM EQUIPMENT			TO EQUIPMENT			WIRE INFO					
NUMBER	GA	TYP	NUMBER	TERM	TT	WDM REF	NUMBER	TERM	TT	EMC/SEP	FT	NOTE	EFFECTIVITY
60	24	PK	D00817	45		31-51-11	SM00021		W	N2	1		
61	24	PK	D00811	64		31-51-11	SM00021		W	N2	2		
62	24	PK	D01489	16		31-51-11	SM00021		W	N2	1		
63	24	PK	D01487	45		31-51-11	SM00021		W	N2	1		
64	24	PV	D01487	27		31-51-11	D00811	47		N2	3		
064Z			D00811	DED		31-51-11	D01487			N2			
65	24	PV	D01487	32		31-51-11	D00811	70		N2	3		
065Z			D00811	DED		31-51-11	D01487			N2			
66	22	PA	D01487	14		31-51-11	GDX0003	D..	2	N2	2		
67	24	PV	D01489	27		31-51-11	D00811	45		N2	3		
067Z			D00811	DED		31-51-11	D01489			N2			
68	24	PV	D01489	32		31-51-11	D00811	50		N2	3		
068Z			D00811	DED		31-51-11	D01489			N2			
69	24	PV	D01489	17		31-51-11	D00811	36		N2	3		
069Z			D00811	DED		31-51-11	D01489			N2			
70	22	PA	D01489	14		31-51-11	GDX0003	D..	2	N2	2		
71	20	UA	D01381			31-51-11	GDX0002	S..	2	N2	2		
72	20	UA	D00823			31-51-11	GDX0002	S..	2	N2	2		
73	20	UA	D00817			31-51-11	GDX0002	S..	2	N2	2		
74	20	PA	SM00026		W	31-51-11	GDX0002	S..	2	N2	2		
75	20	UA	D01487			31-51-11	GDX0005	D..	2	N2	2		
76	20	UA	GDX0005	S..	2	31-51-11	GDX0005	S..	2	N2	2		
77	24	PK	D02251	40		31-41-35	D04349J	1		N2	2		
78	20	PA	SM00027		W	31-51-11	GDX0005	D..	2	N2	2		
79	22	PA	D00813	60		31-51-12	GDX0003	S..	2	N2	3	UAE-F2	
80	22	PA	D00821	15		31-51-12	GDX0002	D..	2	N2	2		
81	24	PV	D00821	30		31-51-12	SM00073		W	N2	1		
081Z			SM00073	REF		31-51-12	D00821			N2			
82	24	PV	D00821	33		31-51-12	SM00074		W	N2	1		
082Z			SM00074	REF		31-51-12	D00821			N2			
83	24	PV	D00821	24		31-51-12	D00813	35		N2	3		

286T0045-0BC
Wire Bundle Assembly
Figure 141 (Sheet 4)

25-71-02

WIRE			FROM EQUIPMENT			TO EQUIPMENT			WIRE INFO				
NUMBER	GA	TYP	NUMBER	TERM	TT	WDM REF	NUMBER	TERM	TT	EMC/SEP	FT	NOTE	EFFECTIVITY
083Z			D00813	DED		31-51-12	D00821			N2			
84	24	PK	D00821	19		31-51-12	SM00025		W	N2	1		
85	24	PK	D00813	65		31-51-12	SM00025		W	N2	2		
86	24	PK	D00819	3		31-51-12	SM00025		W	N2	1		
87	24	PK	D01433	18		31-51-12	SM00025		W	N2	1		
88	22	PA	D01433	15		31-51-12	GDX0002	D..	2	N2	2		
89	24	PV	D01433	30		31-51-12	SM00054		W	N2	1		
089Z			SM00054	REF		31-51-12	D01433			N2			
90	24	PV	D01433	33		31-51-12	SM00055		W	N2	1		
090Z			SM00055	REF		31-51-12	D01433			N2			
91	24	PV	D01433	24		31-51-12	SM00056		W	N2	1		
091Z			SM00056	REF		31-51-12	D01433			N2			
92	22	PA	D00819	15		31-51-12	GDX0002	D..	2	N2	2		
93	24	PV	D00819	30		31-51-12	D00813	13		N2	3		
093Z			D00813	DED		31-51-12	D00819			N2			
94	20	PA	SM00032		W	31-51-12	GDX0005	D..	2	N2			
95	24	PV	D01505	X2		31-51-12	D00813	75		N2	3		
095Z			D00813	DED		31-51-12	D01505			N2			
96	24	PV	D01505	X1		31-51-12	SM00016		W	N2	1		
096Z			SM00016	REF		31-51-12	D01505			N2			
97	24	PV	D00813	46		31-51-12	SM00016		W	N2	2		
097Z			SM00016	REF		31-51-12	D00813	DED		N2			
98	20	PA	SM00033		W	31-51-12	GDX0005	D..	2	N2			
99	24	PK	SM00016		W	31-51-12	D11553	25		N2	1		
10A	24	PK	D01489	21		31-51-33	D04349J	23		N2	2		
100	20	PA	D11553	1		31-51-12	GDX0003	D..	2	N2	2		
101	20	UA	D00821			31-51-12	GDX0004	S..	2	N2	2		
102	20	UA	D00819			31-51-12	GDX0004	S..	2	N2	2		
103	20	UA	D01433			31-51-12	GDX0004	S..	2	N2	2		
104	20	UA	D01505			31-51-12	GDX0005	S..	2	N2	2		
106	20	UA	D00815			31-51-12	GDX0004	S..	2	N2	2		

286T0045-OBC
Wire Bundle Assembly
Figure 141 (Sheet 5)

25-71-02



BOEING
COMPONENT
MAINTENANCE MANUAL

WIRE			FROM EQUIPMENT			TO EQUIPMENT			WIRE INFO				
NUMBER	GA	TYP	NUMBER	TERM	TT	WDM REF	NUMBER	TERM	TT	EMC/SEP	FT	NOTE	EFFECTIVITY
107	20	UA	D01381			31-51-12	GDX0004	S..	2	N2	2		
109	20	UA	D00817			31-51-12	GDX0004	S..	2	N2	2		
110	20	UA	D01487			31-51-12	GDX0001	S..	2	N2	2		
111	20	UA	D01489			31-51-12	GDX0001	S..	2	N2	2		
112	22	PA	D00815	15		31-51-12	GDX0001	D..	2	N2	2		
113	24	PK	D01505	A2		31-51-12	SM00005		W	N2	1		
114	20	PA	D01505	A3		31-51-12	GDX0003	D..	2	N2	2		
115	24	PK	D02261	21		21-61-51	D04347J	25		N2	2		
116	24	PK	D00815	21		31-51-12	SM00023		W	N2	1		
117	24	PK	D00813	63		31-51-12	SM00023		W	N2	2		
118	24	PK	D00823	1		31-51-12	SM00023		W	N2	1		
119	24	PK	D01381	1		31-51-12	SM00023		W	N2	1		
120	22	PA	D01381	15		31-51-12	GDX0001	D..	2	N2	2		
121	24	PK	D00817	56		31-51-12	SM00024		W	N2	1		
122	24	PK	D00813	64		31-51-12	SM00024		W	N2	2		
123	24	PK	D01487	56		31-51-12	SM00024		W	N2	1		
124	22	PA	D00823	15		31-51-12	GDX0001	D..	2	N2	2		
125	20	UA	D00823			31-51-12	GDX0004	S..	2	N2	2		
126	24	PV	D00823	33		31-51-12	D00813	15		N2	3		
126Z			D00823			31-51-12	D00813	DED		N2			
127	24	PV	D00823	24		31-51-12	D00813	20		N2	3		
127Z			D00823			31-51-12	D00813	DED		N2			
128	22	PA	D00817	15		31-51-12	GDX0002	D..	2	N2	2		
129	24	PV	D00817	30		31-51-12	D00813	51		N2	3		
129Z			D00817			31-51-12	D00813	DED		N2			
130	24	PV	D00817	33		31-51-12	D00813	74		N2	3		
130Z			D00817			31-51-12	D00813	DED		N2			
131	24	PV	D00813	11		31-51-12	D00813	30		N2	3		
131Z			D01381			31-51-12	D00813	DED		N2			
132	24	PV	D00813	16		31-51-12	D01381	33		N2	3		
132Z			D01381			31-51-12	D00813	DED		N2			

286T0045-0BC
Wire Bundle Assembly
Figure 141 (Sheet 6)

25-71-02

TESTING & TROUBLE SHOOTING

01

Page 1920

Nov 01/02

WIRE			FROM EQUIPMENT			TO EQUIPMENT			WIRE INFO				
NUMBER	GA	TYP	NUMBER	TERM	TT	WDM REF	NUMBER	TERM	TT	EMC/SEP	FT	NOTE	EFFECTIVITY
133	24	PV	D01381	24		31-51-12	D00813	21		N2	3		
133Z			D01381			31-51-12	D00813	DED		N2			
134	24	PK	D01489	50		31-51-12	SM00024		W	N2	1		
135	24	PV	D01487	30		31-51-12	D00813	47		N2	3		
135Z			D01487			31-51-12	D00813	DED		N2			
136	24	PV	D01487	33		31-51-12	D00813	70		N2	3		
136Z			D01487			31-51-12	D00813	DED		N2			
137	22	PA	D01487	15		31-51-12	GDX0003	D..	2	N2	2		
138	24	PV	D01489	30		31-51-12	D00813	45		N2	3		
138Z			D01489			31-51-12	D00813	DED		N2			
139	24	PV	D01489	33		31-51-12	D00813	50		N2	3		
139Z			D01489			31-51-12	D00813	DED		N2			
140	24	PV	D01489	24		31-51-12	D00813	36		N2	3		
140Z			D01489			31-51-12	D00813	DED		N2			
141	22	PA	D01489	15		31-51-12	GDX0003	D..	2	N2	2		
142	24	PK	D00813	33		31-51-12	D11553	26		N2	3		
143	24	PK	D11553	27		31-51-12	D00813	34		N2	3		
144	24	PV	D00813	12		31-51-12	D00815	30		N2	3		
144Z			D00813	DED		31-51-12	D00815			N2			
145	20	PA	SM00030		W	31-51-12	GDX0005	D..	2	N2			
146	24	PV	D00813	17		31-51-12	D00815	33		N2	3		
146Z			D00813	DED		31-51-12	D00815			N2			
147	24	PV	D00813	22		31-51-12	D00815	24		N2	3		
147Z			D00813	DED		31-51-12	D00815			N2			
148	24	PV	D00813	10		31-51-12	D00823	30		N2	3		
148Z			D00813	DED		31-51-12	D00823			N2			
149	20	PA	SM00031		W	31-51-12	GDX0005	D..	2	N2			
150	22	PA	D04301J	6		27-32-11	D00823	34		N2	2		
151	24	PK	D04509J	1		27-32-11	D00823	39		N2	2		
152	24	PK	D04347J	26		27-32-11	D00823	40		N2	2		
153	24	PK	D00823	31		27-32-11	D04509J	6		N2	2		

286T0045-0BC
Wire Bundle Assembly
Figure 141 (Sheet 7)

25-71-02



BOEING
COMPONENT
MAINTENANCE MANUAL

WIRE			FROM EQUIPMENT			TO EQUIPMENT			WIRE INFO				
NUMBER	GA	TYP	NUMBER	TERM	TT	WDM REF	NUMBER	TERM	TT	EMC/SEP	FT	NOTE	EFFECTIVITY
154	20	PA	D04509J	7		27-32-11	GDX0001	D..	2	N2	2		
155	24	PK	SM00037		W	27-32-11	D04511J	3		N2	1		
156	24	PK	D00823	38		27-32-11	D04511J	2		N2	2		
157	24	PK	D04511J	4		27-32-11	SM00050		W	N2	1		
158	24	PK	SM00037		W	27-32-11	D00823	4		N2	1		
159	24	PK	D04349J	14		27-32-11	D00823	36		N2	1		
160	24	PK	D04349J	15		27-32-11	D00823	3		N2	1		
161	24	PK	D04349J	16		27-32-11	D00823	43		N2	1		
162	24	PK	D04349J	10		27-32-11	D00823	2		N2	1		
165	22	PA	D04349J	11		27-32-21	D01381	34		N2	2		
166	24	PK	D01381	40		27-32-21	D04349J	6		N2	2		
167	24	PK	D01381	31		27-32-21	D04511J	7		N2	2		
168	20	PA	GDX0002	D..	2	27-32-21	D04511J	8		N2	2		
169	24	PK	D04349J	34		27-32-21	D01381	36		N2	2		
170	24	PK	D04349J	35		27-32-21	D01381	3		N2	2		
171	24	PK	D04349J	36		27-32-21	D01381	43		N2	2		
172	24	PK	D04349J	37		27-32-21	D01381	2		N2	2		
173	24	PK	D04511J	13		27-32-21	D01381	4		N2	2		
174	24	PK	D04511J	16		27-32-21	D01381	37		N2	2		
175	24	PK	D04511J	15		27-32-21	D01381	38		N2	2		
176	24	PK	D04509J	8		27-32-21	D01381	39		N2	2		
177	24	PK	D00815	34		31-51-21	SM00057		W	N2	1		
178	24	PK	D00815	43		31-51-21	D01433	19		N2	2		
179	24	PK	D00815	10		31-51-21	D00819	5		N2	2		
180	24	PK	D04507J	5		31-51-21	SM00034		W	N2	1		
181	24	PK	SM00058		W	31-51-21	D00815	66		N2	1		
182	24	PK	D00815	4		31-51-21	SM00034		W	N2	1		
183	24	PK	D00815	11		31-51-21	D04349J	39		N2	2		
184	22	PA	D00815	37		31-51-21	SM00035		W	N2	1		
185	22	PA	D00815	42		31-51-21	SM00036		W	N2	1		
186	24	PK	D04349J	5		31-51-21	SM00012		W	N2	1		

286T0045-0BC
Wire Bundle Assembly
Figure 141 (Sheet 8)

25-71-02

TESTING & TROUBLE SHOOTING

01

Page 192Q

Nov 01/02

WIRE			FROM EQUIPMENT				TO EQUIPMENT				WIRE INFO			
NUMBER	GA	TYP	NUMBER	TERM	TT	WDM REF	NUMBER	TERM	TT	EMC/SEP	FT	NOTE	EFFECTIVITY	
187	24	PK	D00815	2		31-51-21	SM00012		W	N2	1			
188	24	PK	SM00011		W	31-51-21	D04349J	4		N2	1			
189	24	PK	SM00011		W	31-51-21	D00815	35		N2	1			
190	24	PK	D04349J	12		31-51-21	SM00009		W	N2	1			
191	24	PK	D00815	44		31-51-21	SM00009		W	N2	1			
192	24	PK	D04347J	10		31-51-21	SM00008		W	N2	1			
193	24	PK	D00815	1		31-51-21	SM00008		W	N2	1			
194	24	PK	D04347J	11		31-51-21	SM00010		W	N2	1			
195	24	PK	D00815	36		31-51-21	SM00010		W	N2	1			
196	24	PK	SM00039		W	31-51-21	D04347J	21		N2	1			
197	24	PK	D00815	45		31-51-21	SM00039		W	N2	1			
198	24	PK	D00815	46		31-51-21	D04347J	6		N2	2			
199	20	PA	GDX0004	S..	2	31-51-31	D04597J	14		N2	2			
201B	24	PW	D01489	43		31-51-33	SM00004		W	N2	1			
201R	24	PW	D01489	9		31-51-33	SM00003		W	N2				
201Z			D01489	DED		31-51-33	SM00003	REF		N2				
204	20	UA	D04507J			27-32-11	GDX0004	S..	2	N2	2			
204B	24	PW	D00823	18		27-32-11	D04507J	12		N2	1			
204R	24	PW	D00823	16		27-32-11	D04507J	11		N2				
204Z			D00823	DED		27-32-11	D04507J			N2				
205B	24	PW	D00815	19		31-51-21	SM00007		W	N2	1			
205R	24	PW	D00815	52		31-51-21	SM00006		W	N2				
205Z			D00815	DED		31-51-21	SM00006	REF		N2				
207	20	UA	D04597J			31-51-21	GDX0004	S..	2	N2	2			
207B	24	PW	SM00007		W	31-51-21	D04597J	4		N2	1			
207R	24	PW	SM00006		W	31-51-21	D04597J	3		N2				
207Z			SM00006	REF		31-51-21	D04597J			N2				
208	20	UA	D04301J			34-16-11	GDX0002	S..	2	N2	2			
208B	24	PW	D00821	36		34-16-11	D04301J	9		N2	2			
208R	24	PW	D00821	2		34-16-11	D04301J	8		N2				
208Z			D00821	DED		34-16-11	D04301J			N2				

286T0045-0BC
Wire Bundle Assembly
Figure 141 (Sheet 9)

25-71-02



BOEING
COMPONENT
MAINTENANCE MANUAL

WIRE			FROM EQUIPMENT			TO EQUIPMENT			WIRE INFO				
NUMBER	GA	TYP	NUMBER	TERM	TT	WDM REF	NUMBER	TERM	TT	EMC/SEP	FT	NOTE	EFFECTIVITY
209B	24	PW	D01489	46		31-51-33	SM00007		W	N2	1		
209R	24	PW	D01489	12		31-51-33	SM00006		W	N2			
209Z			D01489	DED		31-51-33	SM00006	REF		N2			
212B	24	PW	D01433	36		31-51-42	SM00007		W	N2	1		
212R	24	PW	D01433	2		31-51-42	SM00006		W	N2			
212Z			D01433	DED		31-51-42	SM00006	REF		N2			
213	20	UA	D04507J			34-16-11	GDX0004	S..	2	N2	2		
213B	24	PW	D00821	35		34-16-11	D04507J	8		N2	2		
213R	24	PW	D00821	1		34-16-11	D04507J	9		N2			
213Z			D00821	DED		34-16-11	D04507J			N2			
214	20	UA	D04349J			34-16-11	GDX0004	S..	2	N2	2		
214B	24	PW	D00821	37		34-16-11	D04349J	19		N2	2		
214R	24	PW	D00821	3		34-16-11	D04349J	18		N2			
214Z			D00821	DED		34-16-11	D04349J			N2			
215B	24	PL	D01487	24		31-51-31	D04597J	12		N2	2		
215R	24	PL	D01487	23		31-51-31	D04597J	13		N2			
216B	24	PL	D00817	24		31-51-32	D04303J	12		N2	2		
216R	24	PL	D00817	23		31-51-32	D04303J	11		N2			
221B	24	PW	D01489	45		31-51-33	SM00004		W	N2	1		
221R	24	PW	D01489	11		31-51-33	SM00003		W	N2			
221Z			D01489	DED		31-51-33	SM00003	REF		N2			
223B	24	PW	D00821	38		34-16-11	SM00004		W	N2	1		
223R	24	PW	D00821	4		34-16-11	SM00003		W	N2			
223Z			D00821	DED		34-16-11	SM00003	REF		N2			
224	20	UA	D04349J			27-32-21	GDX0004	S..	2	N2	2		
224B	24	PW	D04349J	28		27-32-21	D01381	18		N2	2		
224R	24	PW	D04349J	27		27-32-21	D01381	16		N2			
224Z			D04349J	DED		27-32-21	D01381	DED		N2			
225B	22	PR	D00811	69		31-51-11	SM00060		W	N2	2		
225R	22	PR	D00811	68		31-51-11	SM00060		W	N2			
225Z			D00811	DED		31-51-11	SM00028	REF		N2			

286T0045-0BC
Wire Bundle Assembly
Figure 141 (Sheet 10)

25-71-02

TESTING & TROUBLE SHOOTING
01

Page 192S
Nov 01/02

WIRE			FROM EQUIPMENT			TO EQUIPMENT			WIRE INFO				
NUMBER	GA	TYP	NUMBER	TERM	TT	WDM REF	NUMBER	TERM	TT	EMC/SEP	FT	NOTE	EFFECTIVITY
226B	22	PR	D00813	69		31-51-12	SM00061		W	N2	2		
226R	22	PR	D00813	68		31-51-12	SM00061		W	N2			
226Z			D00813	DED		31-51-12	SM00030	REF		N2			
230	20	UA	D04347J	18		31-51-33	GDX0003	S..	2	N2	2		
230B	24	PW	D04347J	17		31-51-33	SM00004		W	N2	1		
230R	24	PW	D04347J	17		31-51-33	SM00003		W	N2			
230Z			D04347J			31-51-33	SM00003	REF		N2			
236	20	UA	D04347J			27-32-11	GDX0001	S..	2	N2	2		
236B	24	PW	D04347J	37		27-32-11	D00823	54		N2	2		
236R	24	PW	D04347J	36		27-32-11	D00823	23		N2			
236Z			D04347J			27-32-11	D00823	DED		N2			
237B	24	PW	D04347J	40		27-32-11	D00823	13		N2	2		
237R	24	PW	D04347J	39		27-32-11	D00823	12		N2			
237Z			D04347J			27-32-11	D00823	DED		N2			
238	20	UA	D04349J			27-32-21	GDX0001	S..	2	N2	2		
238B	24	PW	D04349J	49		27-32-21	D01381	54		N2	2		
238R	24	PW	D04349J	48		27-32-21	D01381	23		N2			
238Z			D04349J			27-32-21	D01381	DED		N2			
239B	24	PW	D01381	20		27-32-21	D04349J	55		N2	2		
239R	24	PW	D01381	19		27-32-21	D04349J	54		N2			
239Z			D01381	DED		27-32-21	D04349J			N2			
240B	24	PL	D04347J	23		31-51-31	SM00080		W	N2	1		
240R	24	PL	D04347J	22		31-51-31	SM00042		W	N2			
241B	24	PL	D01487	60		31-51-31	SM00080		W	N2	1		
241R	24	PL	D01487	28		31-51-31	SM00042		W	N2			
242B	24	PL	D00817	60		31-51-32	SM00080		W	N2	1		
242R	24	PL	D00817	28		31-51-32	SM00042		W	N2			
243B	24	PW	D04349J	52		27-32-21	D01381	13		N2	2		
243R	24	PW	D04349J	51		27-32-21	D01381	12		N2			
243Z			D04349J			27-32-21	D01381	DED		N2			
245B	24	PW	D00823	20		27-32-11	D04347J	48		N2	2		

286T0045-0BC
Wire Bundle Assembly
Figure 141 (Sheet 11)

25-71-02



BOEING
COMPONENT
MAINTENANCE MANUAL

WIRE			FROM EQUIPMENT			TO EQUIPMENT			WIRE INFO				
NUMBER	GA	TYP	NUMBER	TERM	TT	WDM REF	NUMBER	TERM	TT	EMC/SEP	FT	NOTE	EFFECTIVITY
245R	24	PW	D00823	19		27-32-11	D04347J	47		N2			
245Z			D00823	DED		27-32-11	D04347J			N2			
247	20	UA	D04349J			31-41-35	GDX0006	S..	2	N2	2		
247B	24	PW	D02261	42		31-41-35	D04349J	57		N2	2		
247R	24	PW	D02261	43		31-41-35	D04349J	56		N2			
247Z			D02261	DED		31-41-35	D04349J			N2			
248	20	UA	D04349J			28-41-11	GDX0006	S..	2	N2	2		
248B	24	PW	D02261	5		28-41-11	D04349J	60		N2	2		
248R	24	PW	D02261	8		28-41-11	D04349J	59		N2			
248Z			D02261	DED		28-41-11	D04349J			N2			
271B	24	PL	D04597J	5		31-51-31	SM00088		W	N2	1		
271R	24	PL	D04597J	2		31-51-31	SM00087		W	N2			
272B	24	PL	D01487	63		31-51-31	SM00088		W	N2	1		
272R	24	PL	D01487	62		31-51-31	SM00087		W	N2			
273B	24	PL	D00817	63		31-51-32	SM00088		W	N2	1		
273R	24	PL	D00817	62		31-51-32	SM00087		W	N2			
290B	24	PW	D04597J	8		34-43-15	SM00104		W	N2	1		
290R	24	PW	D04597J	7		34-43-15	SM00103		W	N2			
290Z			D04597J	9		34-43-15	SM00103	REF		N2			
291B	24	PW	D04303J	4		34-43-15	SM00104		W	N2	1		
291R	24	PW	D04303J	3		34-43-15	SM00103		W	N2			
291Z			D04303J	5		34-43-15	SM00103	REF		N2			
292B	24	PW	D04347J	53		34-43-15	SM00104		W	N2	1		
292R	24	PW	D04347J	51		34-43-15	SM00103		W	N2			
292Z			D04347J	61		34-43-15	SM00103	REF		N2			
301	20	UA	SM00028	REF		31-51-11	GDX0005	S..	2	N2	1		
301B	22	PS	D00811	57		31-51-11	SM00028		W	N2	2		
301R	22	PS	D00811	38		31-51-11	SM00028		W	N2			
301Y	22	PS	D00811	58		31-51-11	SM00028		W	N2			
301Z			D00811	DED		31-51-11	SM00028	REF		N2			
302B	22	PS	D00811	42		31-51-11	SM00029		W	N2	2		

286T0045-0BC
Wire Bundle Assembly
Figure 141 (Sheet 12)

25-71-02

WIRE			FROM EQUIPMENT			TO EQUIPMENT			WIRE INFO				
NUMBER	GA	TYP	NUMBER	TERM	TT	WDM REF	NUMBER	TERM	TT	EMC/SEP	FT	NOTE	EFFECTIVITY
302R	22	PS	D00811	41		31-51-11	SM00029		W	N2			
302Y	22	PS	D00811	43		31-51-11	SM00029		W	N2			
302Z			D00811	DED		31-51-11	SM00028	REF		N2			
303B	22	PS	D00811	8		31-51-11	SM00026		W	N2	2		
303R	22	PS	D00811	7		31-51-11	SM00026		W	N2			
303Y	22	PS	D00811	9		31-51-11	SM00026		W	N2			
303Z			D00811	DED		31-51-11	SM00028	REF		N2			
304B	22	PS	D00811	25		31-51-11	SM00027		W	N2	2		
304R	22	PS	D00811	24		31-51-11	SM00027		W	N2			
304Y	22	PS	D00811	37		31-51-11	SM00027		W	N2			
304Z			D00811	DED		31-51-11	SM00028	REF		N2			
305	20	UA	SM00030	REF		31-51-12	GDX0005	S..	2	N2	1		
305B	22	PS	D00813	8		31-51-12	SM00030		W	N2	2		
305R	22	PS	D00813	7		31-51-12	SM00030		W	N2			
305Y	22	PS	D00813	9		31-51-12	SM00030		W	N2			
305Z			D00813	DED		31-51-12	SM00030	REF		N2			
306B	22	PS	D00813	25		31-51-12	SM00031		W	N2	2		
306R	22	PS	D00813	24		31-51-12	SM00031		W	N2			
306Y	22	PS	D00813	37		31-51-12	SM00031		W	N2			
306Z			D00813	DED		31-51-12	SM00030	REF		N2			
307B	22	PS	D00813	57		31-51-12	SM00032		W	N2	2		
307R	22	PS	D00813	38		31-51-12	SM00032		W	N2			
307Y	22	PS	D00813	58		31-51-12	SM00032		W	N2			
307Z			D00813	DED		31-51-12	SM00030	REF		N2			
308B	22	PS	D00813	42		31-51-12	SM00033		W	N2	2		
308R	22	PS	D00813	41		31-51-12	SM00033		W	N2			
308Y	22	PS	D00813	43		31-51-12	SM00033		W	N2			
308Z			D00813	DED		31-51-12	SM00030	REF		N2			
512	24	PK	D02261	20		27-81-31	D04349J	8		N2	2		
601	20	PA	SM00060		W	31-51-11	GDX0004	D..	2	N2			
602	20	PA	SM00061		W	31-51-12	GDX0005	D..	2	N2			

286T0045-OBC
Wire Bundle Assembly
Figure 141 (Sheet 13)

25-71-02



BOEING
COMPONENT
MAINTENANCE MANUAL

WIRE		FROM EQUIPMENT		TO EQUIPMENT		WIRE INFO							
NUMBER	GA	TYP	NUMBER	TERM	TT	WDM REF	NUMBER	TERM	TT	EMC/SEP	FT	NOTE	EFFECTIVITY
603	24	PV	D04301J	5		31-51-12	M01103	INE	D	N2	1		
603Z			D04301J	DED		31-51-12	M01103			N2			
604	24	PV	D04301J	4		31-51-12	D00813	4		N2	3		
604Z			D04301J	DED		31-51-12	D00813			N2			
605	24	PV	D00813	1		31-51-12	M01103	OAD	D	N2	3		
605Z			D00813			31-51-12	M01103	DED	D	N2			
606	24	PV	D04349J	32		31-51-11	M01102	INE	D	N2	1		
606Z			D04349J	DED		31-51-11	M01102			N2			
607	24	PV	D04349J	33		31-51-11	D00811	4		N2	3		
607Z			D04349J	DED		31-51-11	D00811			N2			
608	24	PV	D00811	1		31-51-11	M01102	OAD	D	N2	3		
608Z			D00811			31-51-11	M01102	DED		N2			
610	24	PK	D00823	37		27-32-11	SM00050	20		N2	1		
611	24	PK	D01433	6		31-51-42	D04347J			N2	2		
612	24	PK	D01433	4		31-51-42	SM00050			N2	1		
613	24	PK	D04349J	30		31-51-31	SM00065			N2	1		
614	24	PK	D01487	52		31-51-31	SM00065			N2	1		
615	24	PK	D00817	52		31-51-32	SM00065			N2	1		
617	24	PK	D01381	11		27-32-12	D00823	56		N2	1		
618	24	PK	D01381	56		27-32-12	D00823	11		N2	1		
619	24	PK	D00823	45		27-32-12	SM00082			N2	1		
620	24	PK	D04349J	29		31-51-21	SM00071			N2	1		
621	24	PK	D00815	7		31-51-21	SM00071			N2	1		
622	24	PK	D01489	2		31-51-33	SM00071			N2	1		
623	24	PK	D01489	36		31-51-33	SM00038			N2	1		
624	24	PK	D00815	8		31-51-21	SM00045			N2	1		
625	24	PK	D01487	9		31-51-31	SM00034			N2	1		
628	22	PA	D01487	20		31-51-31	GDX0006	D..	2	N2	2		
629	22	PA	D01487	53		31-51-31	GDX0006	D..	2	N2	2		
630	22	PA	D01487	21		31-51-31	GDX0006	D..	2	N2	2		
631	24	PK	D00817	9		31-51-32	SM00034			N2	1		

286T0045-0BC
Wire Bundle Assembly
Figure 141 (Sheet 14)

25-71-02

WIRE			FROM EQUIPMENT			TO EQUIPMENT			WIRE INFO				
NUMBER	GA	TYP	NUMBER	TERM	TT	WDM REF	NUMBER	TERM	TT	EMC/SEP	FT	NOTE	EFFECTIVITY
634	22	PA	D00817	20		31-51-32	GDX0006	D..	2	N2	2		
635	22	PA	D00817	53		31-51-32	GDX0006	D..	2	N2	2		
636	22	PA	D00817	21		31-51-32	GDX0006	D..	2	N2	2		
644	22	PQ	D00823	66		27-32-31	D04347J	42		N2	2		
644Z			D00823	DED		27-32-31	D04347J	DED		N2	2		
646	22	PQ	D01381	66		27-32-31	D04349J	42		N2	2		
646Z			D01381	DED		27-32-31	D04349J	DED		N2	2		
652	24	PV	D00811	26		31-51-11	SM00068		W	N2	2		
652Z			D00811	DED		31-51-11	SM00068	REF		N2	2		
653	24	PV	D00811	49		31-51-11	SM00069		W	N2	2		
653Z			D00811	DED		31-51-11	SM00069	REF		N2	2		
654	24	PV	D01739	27		31-51-11	SM00068		W	N2	1		
654Z			D01739	DED		31-51-11	SM00068	REF		N2	1		
655	24	PV	D01739	32		31-51-11	SM00069		W	N2	1		
655Z			D01739	DED		31-51-11	SM00069	REF		N2	1		
656	24	PK	D01739	10		31-51-11	SM00022		W	N2	1		
657	22	PA	D01739	14		31-51-11	GDX0006	D..	2	N2	2		
658	24	PV	D01741	27		31-51-11	D00811	62		N2	3		
658Z			D01741	DED		31-51-11	D00811	DED		N2	3		
659	24	PV	D01741	32		31-51-11	D00811	76		N2	3		
659Z			D01741	DED		31-51-11	D00811	DED		N2	3		
660	20	UA	D01741			31-51-11	GDX0006	S..	2	N2	1		
661	24	PK	D01741	10		31-51-11	D00811	66		N2	3		
662	22	PA	D01741	14		31-51-11	GDX0006	D..	2	N2	1		
663	24	PV	D00813	26		31-51-12	SM00073		W	N2	2		
663Z			D00813	DED		31-51-12	SM00073	REF		N2	2		
664	24	PV	D00813	49		31-51-12	SM00074		W	N2	2		
664Z			D00813	DED		31-51-12	SM00074	REF		N2	2		
665	24	PV	D01739	30		31-51-12	SM00073		W	N2	1		
665Z			D01739	DED		31-51-12	SM00073	REF		N2	1		
666	24	PV	D01739	33		31-51-12	SM00074		W	N2	1		

286T0045-0BC
Wire Bundle Assembly
Figure 141 (Sheet 15)

25-71-02



BOEING
COMPONENT
MAINTENANCE MANUAL

WIRE		FROM EQUIPMENT			TO EQUIPMENT			WIRE INFO					
NUMBER	GA	TYP	NUMBER	TERM	TT	WDM REF	NUMBER	TERM	TT	EMC/SEP	FT	NOTE	EFFECTIVITY
666Z			D01739	DED		31-51-12	SM00074	REF		N2			
667	24	PK	D01739	9		31-51-12	SM00025		W	N2	1		
668	22	PA	D01739	15		31-51-12	GDX0006	D..	2	N2	2		
669	24	PV	D01741	30		31-51-12	D00813	62		N2	2		
669Z			D01741			31-51-12	D00813	DED		N2			
670	24	PV	D01741	33		31-51-12	D00813	76		N2	2		
670Z			D01741			31-51-12	D00813	DED		N2			
671	20	UA	D01741			31-51-12	GDX0006	S..	2	N2	1		
672	24	PK	D01741	9		31-51-12	D00813	66		N2	2		
673	22	PA	D01741	15		31-51-12	GDX0006	D..	2	N2	1		
681	24	PK	D01433	10		31-51-43	D04507J	10		N2	2		
682	24	PK	D01433	13		31-51-43	D04347J	46		N2	2		
683	22	PA	D01433	41		31-51-43	SM00081		W	N2	1		
684	20	PA	GDX0001	D..	2	31-51-43	D04349J	47		N2	2		
685	24	PK	D00823	58		27-32-12	D01505	A1		N2	2		
686	24	PK	D00823	8		27-32-11	SM00038		W	N2	1		
687	24	PK	D00823	64		27-32-11	SM00081		W	N2	1		
688	24	PK	D01381	58		27-32-22	D01503	A1		N2	2		
689	24	PK	D01381	45		27-32-22	SM00085		W	N2	1		
692	24	PK	D01381	8		27-32-21	SM00038		W	N2	1		
693	24	PK	D04347J	30		31-51-21	D00815	6		N2	2		
694	22	PA	D04349J	46		31-51-43	SM00081		W	N2	1		
696	20	PA	GDX0003	D..	2	27-32-12	SM00082		W	N2	1		
697	20	PA	GDX0003	D..	2	27-32-22	SM00085		W	N2	1		
701	24	PK	D00815	49		31-51-21	D00815	22		N2			
702	24	PK	D00815	16		31-51-21	D00815	48		N2			
703	24	PK	D00819	6		31-51-41	SM00019		W	N2	1		
704	24	PK	SM00075		W	31-51-41	D04511J	14		N2	1		
705	24	PK	D00819	45		31-51-41	D04511J	12		N2	2		
706	24	PK	D00819	10		31-51-41	D04349J	31		N2	2		
707	24	PK	D00819	21		31-51-41	D04509J	4		N2	2		

286T0045-0BC
Wire Bundle Assembly
Figure 141 (Sheet 16)

25-71-02

TESTING & TROUBLE SHOOTING

01

Page 192Y

Nov 01/02

WIRE			FROM EQUIPMENT			TO EQUIPMENT			WIRE INFO				
NUMBER	GA	TYP	NUMBER	TERM	TT	WDM REF	NUMBER	TERM	TT	EMC/SEP	FT	NOTE	EFFECTIVITY
708	24	PK	D00819	9		31-51-41	D04349J	7		N2	2		
709	24	PK	D00819	39		31-51-41	SM00044		W	N2	1		
710	24	PK	D00819	43		31-51-41	SM00037		W	N2	1		
711	24	PK	D00819	12		31-51-41	D04349J	21		N2	2		
712	24	PK	D00819	53		31-51-41	D04349J	3		N2	2		
713	24	PK	D00819	20		31-51-41	D04347J	9		N2	2		
714	24	PK	D00819	44		31-51-41	D04349J	24		N2	2		
715	24	PK	D04507J	6		31-51-42	SM00019		W	N2	1		
716	24	PK	D01433	34		31-51-42	SM00019		W	N2	1		
717	24	PK	D01433	37		31-51-42	SM00034		W	N2	1		
718	24	PK	D01433	39		31-51-42	D04509J	2		N2	2		
720	24	PK	D01433	52		31-51-42	SM00040		W	N2	1		
721	24	PK	D01433	38		31-51-42	D04347J	24		N2	2		
722	24	PK	D01433	5		31-51-42	D04349J	22		N2	2		
723	24	PK	D04511J	11		31-51-42	SM00038		W	N2	1		
724	24	PK	D01433	40		31-51-42	SM00038		W	N2	1		
725	24	PK	D01433	3		31-51-42	D04347J	13		N2	2		
726	22	PA	D04347J	14		31-51-21	SM00036		W	N2	1		
727	22	PA	D04301J	11		31-51-21	SM00035		W	N2	1		
728	24	PK	D04347J	1		31-51-41	D00819	35		N2	2		
729	24	PK	D04347J	2		31-51-41	D00819	1		N2	2		
730	24	PK	D04347J	3		31-51-41	D00819	36		N2	2		
731	24	PK	D04347J	4		31-51-41	D00819	2		N2	2		
732	24	PK	D04347J	5		31-51-42	D01433	20		N2	2		
733	24	PK	D04347J	16		34-16-11	D00821	65		N2	2		
734	24	PK	D04347J	8		31-51-31	SM00046		W	N2	1		
735	24	PK	D04507J	7		34-16-11	D00821	34		N2	2		
736	24	PK	D04507J	2		34-16-11	D00821	66		N2	2		
737	24	PK	SM00041		W	34-16-11	D00821	31		N2	1		
738	24	PK	D04347J	19		34-16-11	D00821	7		N2	2		
739	24	PK	SM00075		W	34-16-11	D00821	6		N2	1		

286T0045-0BC
Wire Bundle Assembly
Figure 141 (Sheet 17)

25-71-02



BOEING
COMPONENT
MAINTENANCE MANUAL

WIRE			FROM EQUIPMENT			TO EQUIPMENT			WIRE INFO				
NUMBER	GA	TYP	NUMBER	TERM	TT	WDM REF	NUMBER	TERM	TT	EMC/SEP	FT	NOTE	EFFECTIVITY
740	24	PK	SM00038		W	34-16-11	D00821	40		N2	1		
741	24	PK	D00821	18		34-16-11	D00821	22		N2			
742	24	PK	D00821	50		34-16-11	D00821	48		N2			
746	24	PK	D04597J	10		31-51-31	SM00043		W	N2	1		
747	24	PK	D01487	46		31-51-31	SM00043		W	N2	1		
748	24	PK	D04347J	7		31-51-31	SM00045		W	N2	1		
749	24	PK	D01487	10		31-51-31	SM00045		W	N2	1		
750	24	PK	D01487	19		31-51-31	SM00046		W	N2	1		
751	24	PK	D01487	13		31-51-31	SM00040		W	N2	1		
752	24	PK	D01487	47		31-51-31	SM00044		W	N2	1		
753	24	PK	D01487	51		31-51-31	SM00041		W	N2	1		
755	24	PV	D01487	1		31-51-31	SM00035		W	N2	1		
755Z			D01487	DED		31-51-31	SM00035	DED		N2			
756	24	PK	D01487	50		31-51-31	SM00036		W	N2	1		
757	24	PK	D01487	49		31-51-31	SM00039		W	N2	1		
758	24	PK	D01487	22		31-51-31	D01489	23		N2	2		
759	24	PK	D01487	55		31-51-31	D01489	47		N2	2		
760	24	PK	D01487	34		31-51-31	D01489	51		N2	2		
761	24	PK	D01487	66		31-51-31	D01489	57		N2	2		
762	24	PK	D00817	10		31-51-32	SM00045		W	N2	1		
763	24	PK	D00817	46		31-51-32	SM00043		W	N2	1		
764	24	PV	D00817	1		31-51-32	SM00035		W	N2	1		
764Z			D00817	DED		31-51-32	SM00035	DED		N2			
765	24	PK	D00817	50		31-51-32	SM00036		W	N2	1		
766	24	PV	D00817	49		31-51-32	SM00053		W	N2	1		
766Z			D00817	DED		31-51-32	SM00053	DED		N2			
767	24	PK	D00817	19		31-51-32	SM00046		W	N2	1		
768	24	PK	D00817	13		31-51-32	SM00040		W	N2	1		
769	24	PK	D00817	47		31-51-32	SM00044		W	N2	1		
770	24	PK	D00817	51		31-51-32	SM00041		W	N2	1		
772	24	PK	D00817	22		31-51-32	D01489	54		N2	2		

286T0045-0BC
Wire Bundle Assembly
Figure 141 (Sheet 18)

25-71-02

WIRE			FROM EQUIPMENT			TO EQUIPMENT			WIRE INFO				
NUMBER	GA	TYP	NUMBER	TERM	TT	WDM REF	NUMBER	TERM	TT	EMC/ SEP	FT	NOTE	EFFECTIVITY
773	24	PK	D00817	55		31-51-32	D01489	13		N2	2		
774	24	PK	D00817	34		31-51-32	D01489	25		N2	2		
775	24	PK	D00817	66		31-51-32	D01489	58		N2	2		
776	24	PK	D01489	42		31-51-33	D04347J	15		N2	2		
777	24	PK	D01489	8		31-51-33	D04349J	13		N2	2		
779	24	PK	D01489	35		31-51-33	D04349J	40		N2	2		
780	24	PK	D01489	53		31-51-33	D04349J	2		N2	2		
781	24	PK	D01489	31		31-51-33	D01489	48		N2	2		
782	24	PK	D01489	18		31-51-33	D01489	22		N2	2		
783	24	PK	D01489	38		31-51-33	SM00008		W	N2	1		
784	24	PK	D01489	4		31-51-33	SM00011		W	N2	1		
785	24	PK	D01489	37		31-51-33	SM00012		W	N2	1		
786	24	PK	D01489	3		31-51-33	SM00010		W	N2	1		
787	24	PK	D01489	1		31-51-33	SM00009		W	N2	1		
788	24	PK	D01489	6		31-51-33	SM00034		W	N2	1		
789	24	PK	D01489	41		31-51-33	D04509J	11		N2	2		
791	24	PK	D01489	7		31-51-33	D04509J	10		N2	2		
792	24	PK	D01489	40		31-51-33	D04509J	9		N2	2		
793	24	PK	D00819	11		31-51-41	SM00075		W	N2	1		
794	20	PA	D04303J	10		31-51-32	GDX0004	S..	2	N2	2		
795	24	PK	D01433	9		31-51-42	D01433	48		N2	2		
796	24	PK	D01433	22		31-51-42	D01433	50		N2	2		
797	24	PV	D00815	41		31-51-21	SM00053		W	N2	1		
797Z			D00815	DED		31-51-21	SM00053	DED		N2	2		
798	24	PV	D04349J	9		31-51-21	SM00053		W	N2	1		
798Z			D04349J	DED		31-51-21	SM00053	DED		N2	2		
817	24	PK	D00823	55		27-32-12	D11553	6		N2	2		
818	24	PK	D00823	21		27-32-12	D11553	4		N2	2		
819	24	PK	D00823	51		27-32-12	D11553	3		N2	2		
820	24	PK	D00823	50		27-32-12	D11553	2		N2	2		
821	24	PK	D00823	49		27-32-12	D11553	7		N2	2		

286T0045-OBC
Wire Bundle Assembly
Figure 141 (Sheet 19)

25-71-02



BOEING
COMPONENT
MAINTENANCE MANUAL

WIRE		FROM EQUIPMENT		TO EQUIPMENT		WIRE INFO							
NUMBER	GA	TYP	NUMBER	TERM	TT	WDM REF	NUMBER	TERM	TT	EMC/SEP	FT	NOTE	EFFECTIVITY
822	24	PK	D00823	47		27-32-12	D11553	8		N2	2		
823	24	PK	D00823	46		27-32-12	D11553	9		N2	2		
824	24	PK	D00823	53		27-32-12	D11553	5		N2	2		
825	24	PK	D00823	62		27-32-12	D11553	24		N2	2		
826	24	PK	D01381	55		27-32-22	D11553	16		N2	2		
827	24	PK	D01381	21		27-32-22	D11553	14		N2	2		
828	24	PK	D01381	51		27-32-22	D11553	13		N2	2		
829	24	PK	D01381	50		27-32-22	D11553	12		N2	2		
830	24	PK	D01381	49		27-32-22	D11553	17		N2	2		
831	24	PK	D01381	47		27-32-22	D11553	18		N2	2		
832	24	PK	D01381	46		27-32-22	D11553	19		N2	2		
833	24	PK	D01381	53		27-32-22	D11553	15		N2	2		
834	24	PK	D01381	62		27-32-22	D11553	34		N2	2		
835	24	PK	D04349J	50		27-32-21	D01381	64		N2	2		
836	20	PA	D04349J	53		27-32-21	GDX0002	S..	2	N2	2		
837	24	PK	D00823	42		27-32-12	SM00082		W	N2	1		
838	24	PK	D01381	42		27-32-22	SM00085		W	N2	1		
842	24	PK	D01381	6		27-32-22	SM00085		W	N2	1		
843	24	PK	D00823	6		27-32-12	SM00082		W	N2	1		
862	22	PA	D02261	30		31-41-35	GDX0006	S..	2	N2	1		
863	22	PA	D02261	32		31-41-35	GDX0006	S..	2	N2	1		
864	22	PA	D02261	33		31-41-35	GDX0006	S..	2	N2	1		
865	22	PA	D02261	64		31-41-35	GDX0006	S..	2	N2	1		
866	24	PV	D02261	27		31-51-11	SM00018		W	N2	1		
866Z			D02261	DED		31-51-11	SM00018	REF		N2			
867	24	PV	D02261	28		31-51-11	SM00047		W	N2	1		
867Z			D02261	DED		31-51-11	SM00047	REF		N2			
868	24	PV	D02261	29		31-51-12	SM00054		W	N2	1		
868Z			D02261	DED		31-51-12	SM00054	REF		N2			
869	24	PK	D02261	34		31-51-12	SM00025		W	N2	1		
870	22	PA	D02261	56		31-51-12	GDX0001	S..	2	N2	2		

286T0045-0BC
Wire Bundle Assembly
Figure 141 (Sheet 20)

25-71-02

WIRE			FROM EQUIPMENT				TO EQUIPMENT				WIRE INFO			
NUMBER	GA	TYP	NUMBER	TERM	TT	WDM REF	NUMBER	TERM	TT	EMC/SEP	FT	NOTE	EFFECTIVITY	
871	22	PA	D02261	57		31-51-12	GDX0003	S..	2	N2	2			
872	22	PA	D02261	59		31-51-11	GDX0005	S..	2	N2	1			
873	24	PV	D02261	60		31-51-12	SM00055		W	N2	1			
873Z			D02261	DED		31-51-12	SM00055	REF	W	N2	1			
874	24	PV	D02261	62		31-51-11	SM00049		W	N2	1			
874Z			D02261	DED		31-51-11	SM00049	REF	W	N2	1			
875	24	PV	D02261	63		31-51-12	SM00056		W	N2	1			
875Z			D02261	DED		31-51-12	SM00056	REF	W	N2	1			
876	24	PK	D02261	65		31-51-11	SM00022		W	N2	1			
877	24	PV	D00811	14		31-51-11	SM00018		W	N2	2			
877Z			D00811	DED		31-51-11	SM00018	REF	W	N2	2			
878	24	PV	D00811	48		31-51-11	SM00047		W	N2	2			
878Z			D00811	DED		31-51-11	SM00047	REF	W	N2	2			
879	24	PV	D00811	23		31-51-11	SM00049		W	N2	2			
879Z			D00811	DED		31-51-11	SM00049	REF	W	N2	2			
880	24	PV	D00813	14		31-51-12	SM00054		W	N2	2			
880Z			D00813	DED		31-51-12	SM00054	REF	W	N2	2			
881	24	PV	D00813	48		31-51-12	SM00055		W	N2	2			
881Z			D00813	DED		31-51-12	SM00055	REF	W	N2	2			
882	24	PV	D00813	23		31-51-12	SM00056		W	N2	2			
882Z			D00813	DED		31-51-12	SM00056	REF	W	N2	2			
883	22	PA	D02261	15		31-51-12	SM00056		W	N2	2			
884	22	PA	D02261	47		38-32-11	D04349J	26		N2	2			
885	24	PK	D04303J	9		38-32-11	D04347J	27		N2	2			
886	24	PK	D04507J	3		31-51-21	SM00057		W	N2	1			
887	24	PK	D04507J	1		31-51-21	SM00058		W	N2	1			
888	24	PK	SM00057		W	31-51-21	D04349J	44		N2	1			

 286T0045-OBC
 Wire Bundle Assembly
 Figure 141 (Sheet 21)

25-71-02



BOEING
COMPONENT
MAINTENANCE MANUAL

WIRE			FROM EQUIPMENT			TO EQUIPMENT			WIRE INFO				
NUMBER	GA	TYP	NUMBER	TERM	TT	WDM REF	NUMBER	TERM	TT	EMC/ SEP	FT	NOTE	EFFECTIVITY
FRB			M01103				M01103	GND	D	N2			
FRB			D00813			31-51-12	D00813	59		N2			
FRC			M01102			31-51-11	M01102	GND	D	N2			
FRD			D00811			31-51-11	D00811	59		N2			
FRG			D04349J	58		31-41-35	D04349J			N2			
FRH			D04349J			28-41-11	D04349J	61		N2			
PA1			D00815	47		99-99-99	D00815	63		N2		DAW-B2	
PA2			D00817	8		99-99-99	D00817	57		N2		DAW-B2	
PA3			D00819	41		99-99-99	D00819	55		N2		DAW-B2	
PA4			D00821	43		99-99-99	D00821	60		N2		DAW-B2	
PA5			D00823	52		99-99-99	D00823	65		N2		DAW-B2	
PA6			D01433	44		99-99-99	D01433	61		N2		DAW-B2	
PA7			D01381	52		99-99-99	D01381	65		N2		DAW-B2	
PA8			D01487	8		99-99-99	D01487	57		N2		DAW-B2	
PA9			D01489	56		99-99-99	D01489	65		N2		DAW-B2	
PB4			D02261	54		99-99-99	D02261	61		N2		DAW-B2	
P01		SE	D11553							N2			
1	22	PA	D00811	60		31-51-11	GDX0001	S..	2	N2	3	UAE-F2	
2	22	PA	D00821	14		31-51-11	GDX0002	D..	2	N2	2		
3	24	PV	D00811	26		31-51-11	D00821	27		N2	3		
003Z			D00811	DED		31-51-11	D00821			N2			
4	24	PV	D00811	49		31-51-11	D00821	32		N2	3		
004Z			D00811	DED		31-51-11	D00821			N2			
5	24	PV	D00811	35		31-51-11	D00821	17		N2	3		
005Z			D00811	DED		31-51-11	D00821			N2			
6	24	PK	SM00022		W	31-51-11	D00821	51		N2	1		
7	24	PK	D00811	65		31-51-11	SM00022		W	N2	2		
8	24	PK	D00819	37		31-51-11	SM00022		W	N2	1		
9	24	PV	D00819	27		31-51-11	D00811	13		N2	3		
009Z			D00811	DED		31-51-11	D00819			N2			
10	22	PA	D00819	14		31-51-11	GDX0001	D..	2	N2	2		

286T0045-0BD
Wire Bundle Assembly
Figure 142 (Sheet 1)

25-71-02

TESTING & TROUBLE SHOOTING

01

Page 194C

Nov 01/02

WIRE		FROM EQUIPMENT			TO EQUIPMENT			WIRE INFO					
NUMBER	GA	TYP	NUMBER	TERM	TT	WDM REF	NUMBER	TERM	TT	EMC/SEP	FT	NOTE	EFFECTIVITY
11	24	PK	D01433	51		31-51-11	SM00022		W	N2	1		
12	24	PV	SM00018		W	31-51-11	D01433	27		N2	1		
012Z			SM00018	REF		31-51-11	D01433			N2			
13	24	PV	SM00047		W	31-51-11	D01433	32		N2	1		
013Z			SM00047	REF		31-51-11	D01433			N2			
14	24	PV	SM00049		W	31-51-11	D01433	17		N2	1		
014Z			SM00049	REF		31-51-11	D01433			N2			
15	22	PA	D01433	14		31-51-11	GDX0001	D..	2	N2	2		
16	20	PA	SM00028		W	31-51-11	GDX0005	D..	2	N2	2		
17	20	VA	GDX0002	S..	2	31-51-11	D00821			N2	2		
18	20	VA	GDX0005	S..	2	31-51-11	D00819			N2	2		
19	20	UA	D01433			31-51-11	GDX0002	S..	2	N2	2		
20	20	PA	GDX0005	D..	2	31-51-11	SM00029			N2	2		
21	20	UA	GDX0002	S..	2	31-51-11	D01503		W	N2	2		
23	20	UA	D00815			31-51-11	GDX0002	S..	2	N2	2		
24	24	PK	D04349J	38		31-51-11	SM00005		W	N2	1		
25	24	PK	D01503	A2		31-51-11	SM00005		W	N2	1		
26	20	PA	D01503	A3		31-51-11	GDX0003	D..	2	N2	2		
27	22	PQ	D01503	X2		31-51-11	D00811	75		N2	4		
027Z			D00811	DED		31-51-11	D01503			N2			
28	24	PV	D01503	X1		31-51-11	SM00015		W	N2	1		
028Z			SM00015	REF		31-51-11	D01503			N2			
29	24	PV	D00811	46		31-51-11	SM00015		W	N2	2		
029Z			SM00015	REF		31-51-11	D00811	DED		N2			
30	24	PK	SM00015		W	31-51-11	D11553	35		N2	1		
32	20	PA	D11553	11		31-51-11	GDX0003	D..	2	N2	2		
33	24	PK	D11553	37		31-51-11	D00811	34		N2	4		
34	24	PK	D11553	36		31-51-11	D00811	33		N2	4		
35	22	PA	D00815	14		31-51-11	GDX0001	D..	2	N2	2		
36	24	PV	D00815	27		31-51-11	D00811	12		N2	3		
036Z			D00811	DED		31-51-11	D00815			N2			

286T0045-0BD
Wire Bundle Assembly
Figure 142 (Sheet 2)

25-71-02



BOEING
COMPONENT
MAINTENANCE MANUAL

WIRE		FROM EQUIPMENT			TO EQUIPMENT			WIRE INFO					
NUMBER	GA	TYP	NUMBER	TERM	TYP	WDM REF	NUMBER	TERM	TYP	EMC/SEP	FT	NOTE	EFFECTIVITY
37	24	PV	D00815	32		31-51-11	D00811	17		N2	3		
037Z			D00811	DED		31-51-11	D00815			N2			
38	24	PV	D00815	17		31-51-11	D00811	22		N2	3		
038Z			D00811	DED		31-51-11	D00815			N2			
39	24	PK	D00815	54		31-51-11	SM00020		W	N2	1		
40	24	PK	D00811	63		31-51-11	SM00020		W	N2	2		
41	24	PK	D00823	35		31-51-11	SM00020		W	N2	1		
42	24	PK	D01381	35		31-51-11	SM00020		W	N2	1		
45	22	PA	D01381	14		31-51-11	GDX0001	D..	2	N2	2		
46	22	PA	D01381	48		31-51-11	GDX0003	D..	2	N2	2		
47	24	FV	D01381	27		31-51-11	D00811	11		N2	3		
047Z			D00811	DED		31-51-11	D01381			N2			
48	24	PV	D01381	32		31-51-11	D00811	16		N2	3		
048Z			D00811	DED		31-51-11	D01381			N2			
49	24	PV	D01381	17		31-51-11	D00811	21		N2	3		
049Z			D00811	DED		31-51-11	D01381			N2			
52	22	PA	D00823	14		31-51-11	GDX0001	D..	2	N2	2		
53	22	PA	D00823	48		31-51-11	GDX0003	D..	2	N2	2		
54	24	PV	D00823	27		31-51-11	D00811	10		N2	3		
054Z			D00811	DED		31-51-11	D00823			N2			
55	24	PV	D00823	32		31-51-11	D00811	15		N2	3		
055Z			D00811	DED		31-51-11	D00823			N2			
56	24	PV	D00823	17		31-51-11	D00811	20		N2	3		
056Z			D00811	DED		31-51-11	D00823			N2			
57	22	PA	D00817	14		31-51-11	GDX0002	D..	2	N2	2		
58	24	PV	D00817	27		31-51-11	D00811	51		N2	3		
058Z			D00811	DED		31-51-11	D00817			N2			
59	24	PV	D00817	32		31-51-11	D00811	74		N2	3		
059Z			D00811	DED		31-51-11	D00817			N2			
60	24	PK	D00817	45		31-51-11	SM00021		W	N2	1		
61	24	PK	D00811	64		31-51-11	SM00021		W	N2	2		

286T0045-0BD
Wire Bundle Assembly
Figure 142 (Sheet 3)

25-71-02

TESTING & TROUBLE SHOOTING

01

Page 194E

Nov 01/02

WIRE			FROM EQUIPMENT			TO EQUIPMENT			WIRE INFO				
NUMBER	GA	TYP	NUMBER	TERM	TT	WDM REF	NUMBER	TERM	TT	EMC/SEP	FT	NOTE	EFFECTIVITY
62	24	PK	D01489	16		31-51-11	SM00021		W	N2	1		
63	24	PK	D01487	45		31-51-11	SM00021		W	N2	1		
64	24	PV	D01487	27		31-51-11	D00811	47		N2	3		
064Z			D00811	DED		31-51-11	D01487			N2			
65	24	PV	D01487	32		31-51-11	D00811	70		N2	3		
065Z			D00811	DED		31-51-11	D01487			N2			
66	22	PA	D01487	14		31-51-11	GDX0003	D..	2	N2	2		
67	24	PV	D01489	27		31-51-11	D00811	45		N2	3		
067Z			D00811	DED		31-51-11	D01489			N2			
68	24	PV	D01489	32		31-51-11	D00811	50		N2	3		
068Z			D00811	DED		31-51-11	D01489			N2			
69	24	PV	D01489	17		31-51-11	D00811	36		N2	3		
069Z			D00811	DED		31-51-11	D01489			N2			
70	22	PA	D01489	14		31-51-11	GDX0003	D..	2	N2	2		
71	20	UA	D01381			31-51-11	GDX0002	S..	2	N2	2		
72	20	UA	D00823			31-51-11	GDX0002	S..	2	N2	2		
73	20	UA	D00817			31-51-11	GDX0002	S..	2	N2	2		
74	20	PA	SM00026		W	31-51-11	GDX0005	D..	2	N2	2		
75	20	UA	D01487			31-51-11	GDX0005	S..	2	N2	2		
76	20	UA	GDX0005	S..	2	31-51-11	D01489			N2	2		
77	24	PK	D02261	40		31-41-35	D04349J	1		N2	2		
78	20	PA	SM00027		W	31-51-11	GDX0005	D..	2	N2	2		
79	22	PA	D00813	60		31-51-12	GDX0003	S..	2	N2	3	UAE-F2	
80	22	PA	D00821	15		31-51-12	GDX0002	D..	2	N2	2		
81	24	PV	D00821	30		31-51-12	D00813	26		N2	3		
081Z			D00813	DED		31-51-12	D00821			N2			
82	24	PV	D00821	33		31-51-12	D00813	49		N2	3		
082Z			D00813	DED		31-51-12	D00821			N2			
83	24	PV	D00821	24		31-51-12	D00813	35		N2	3		
083Z			D00813	DED		31-51-12	D00821			N2			
84	24	PK	D00821	19		31-51-12	SM00025		W	N2	1		

286T0045-0BD
Wire Bundle Assembly
Figure 142 (Sheet 4)

25-71-02



BOEING
COMPONENT
MAINTENANCE MANUAL

WIRE		FROM EQUIPMENT			TO EQUIPMENT			WIRE INFO					
NUMBER	GA	TYP	NUMBER	TERM	TT	WDM REF	NUMBER	TERM	TT	EMC/SEP	FT	NOTE	EFFECTIVITY
85	24	PK	D00813	65		31-51-12	SM00025		W	N2	2		
86	24	PK	D00819	3		31-51-12	SM00025		W	N2	1		
87	24	PK	D01433	18		31-51-12	SM00025		W	N2	1		
88	22	PA	D01433	15		31-51-12	GDX0002	D..	2	N2	2		
89	24	PV	D01433	30		31-51-12	SM00054		W	N2	1		
089Z			SM00054	REF		31-51-12	D01433		W	N2	1		
90	24	PV	D01433	33		31-51-12	SM00055		W	N2	1		
090Z			SM00055	REF		31-51-12	D01433		W	N2	1		
91	24	PV	D01433	24		31-51-12	SM00056		W	N2	1		
091Z			SM00056	REF		31-51-12	D01433		W	N2	1		
92	22	PA	D00819	15		31-51-12	GDX0002	D..	2	N2	2		
93	24	PV	D00819	30		31-51-12	D00813	13		N2	3		
093Z			D00813	DED		31-51-12	D00819			N2			
94	20	PA	SM00032		W	31-51-12	GDX0005	D..	2	N2	3		
95	24	PV	D01505	X2		31-51-12	D00813	75		N2			
095Z			D00813	DED		31-51-12	D01505			N2			
96	24	PV	D01505	X1		31-51-12	SM00016		W	N2	1		
096Z			SM00016	REF		31-51-12	D01505			N2			
97	24	PV	D00813	46		31-51-12	SM00016		W	N2	2		
097Z			SM00016	REF		31-51-12	D00813	DED		N2			
98	20	PA	SM00033		W	31-51-12	GDX0005	D..	2	N2	1		
99	24	PK	SM00016		W	31-51-12	D11553	25		N2	2		
10A	24	PK	D01489	21		31-51-33	D04349J	23		N2	2		
100	20	PA	D11553	1		31-51-12	GDX0003	D..	2	N2	2		
101	20	UA	D00821			31-51-12	GDX0004	S..	2	N2	2		
102	20	UA	D00819			31-51-12	GDX0004	S..	2	N2	2		
103	20	UA	D01433			31-51-12	GDX0004	S..	2	N2	2		
104	20	UA	D01505			31-51-12	GDX0005	S..	2	N2	2		
106	20	UA	D00815			31-51-12	GDX0004	S..	2	N2	2		
107	20	UA	D01381			31-51-12	GDX0004	S..	2	N2	2		
109	20	UA	D00817			31-51-12	GDX0004	S..	2	N2	2		

286T0045-0BD
Wire Bundle Assembly
Figure 142 (Sheet 5)

25-71-02

TESTING & TROUBLE SHOOTING

01

Page 194G

Nov 01/02

WIRE			FROM EQUIPMENT			TO EQUIPMENT			WIRE INFO				
NUMBER	GA	TYP	NUMBER	TERM	TT	WDM REF	NUMBER	TERM	TT	EMC/SEP	FT	NOTE	EFFECTIVITY
110	20	UA	D01487			31-51-12	GDX0001	S..	2	N2	2		
111	20	UA	D01489			31-51-12	GDX0001	S..	2	N2	2		
112	22	PA	D00815	15		31-51-12	GDX0001	D..	2	N2	2		
113	24	PK	D01505	A2		31-51-12	SM00005		W	N2	1		
114	20	PA	D01505	A3		31-51-12	GDX0003	D..	2	N2	2		
115	24	PK	D02261	21		21-61-51	D04347J	25	2	N2	2		
116	24	PK	D00815	21		31-51-12	SM00023		W	N2	1		
117	24	PK	D00813	63		31-51-12	SM00023		W	N2	2		
118	24	PK	D00823	1		31-51-12	SM00023		W	N2	1		
119	24	PK	D01381	1		31-51-12	SM00023		W	N2	1		
120	22	PA	D01381	15		31-51-12	GDX0001	D..	2	N2	2		
121	24	PK	D00817	56		31-51-12	SM00024		W	N2	1		
122	24	PK	D00813	64		31-51-12	SM00024		W	N2	2		
123	24	PK	D01487	56		31-51-12	SM00024		W	N2	1		
124	22	PA	D00823	15		31-51-12	GDX0001	D..	2	N2	2		
125	20	UA	D00823			31-51-12	GDX0004	S..	2	N2	2		
126	24	PV	D00823	33		31-51-12	D00813	15		N2	3		
126Z			D00823			31-51-12	D00813	DED		N2			
127	24	PV	D00823	24		31-51-12	D00813	20		N2	3		
127Z			D00823			31-51-12	D00813	DED		N2			
128	22	PA	D00817	15		31-51-12	GDX0002	D..	2	N2	2		
129	24	PV	D00817	30		31-51-12	D00813	51		N2	3		
129Z			D00817			31-51-12	D00813	DED		N2			
130	24	PV	D00817	33		31-51-12	D00813	74		N2	3		
130Z			D00817			31-51-12	D00813	DED		N2			
131	24	PV	D00813	11		31-51-12	D01381	30		N2	3		
131Z			D01381			31-51-12	D00813	DED		N2			
132	24	PV	D00813	16		31-51-12	D01381	33		N2	3		
132Z			D01381			31-51-12	D00813	DED		N2			
133	24	PV	D01381	24		31-51-12	D00813	21		N2	3		
133Z			D01381			31-51-12	D00813	DED		N2			

286T0045-0BD
Wire Bundle Assembly
Figure 142 (Sheet 6)

25-71-02



BOEING
COMPONENT
MAINTENANCE MANUAL

WIRE			FROM EQUIPMENT			TO EQUIPMENT			WIRE INFO				
NUMBER	GA	TYP	NUMBER	TERM	TYP	WDM REF	NUMBER	TERM	TYP	EMC/SEP	FT	NOTE	EFFECTIVITY
134	24	PK	D01489	50		31-51-12	SM00024		W	N2	1		
135	24	PV	D01487	30		31-51-12	D00813	47		N2	3		
135Z			D01487			31-51-12	D00813	DED		N2			
136	24	PV	D01487	33		31-51-12	D00813	70		N2	3		
136Z			D01487			31-51-12	D00813	DED		N2			
137	22	PA	D01487	15		31-51-12	GDX0003	D..	2	N2	2		
138	24	PV	D01489	30		31-51-12	D00813	45		N2	3		
138Z			D01489			31-51-12	D00813	DED		N2			
139	24	PV	D01489	33		31-51-12	D00813	50		N2	3		
139Z			D01489			31-51-12	D00813	DED		N2			
140	24	PV	D01489	24		31-51-12	D00813	36		N2	3		
140Z			D01489			31-51-12	D00813	DED		N2			
141	22	PA	D01489	15		31-51-12	GDX0003	D..	2	N2	2		
142	24	PK	D00813	33		31-51-12	D11553	26		N2	3		
143	24	PK	D11553	27		31-51-12	D00813	34		N2	3		
144	24	PV	D00813	12		31-51-12	D00815	30		N2	3		
144Z			D00813	DED		31-51-12	D00815			N2			
145	20	PA	SM00030		W	31-51-12	GDX0005	D..	2	N2			
146	24	PV	D00813	17		31-51-12	D00815	33		N2	3		
146Z			D00813	DED		31-51-12	D00815			N2			
147	24	PV	D00813	22		31-51-12	D00815	24		N2	3		
147Z			D00813	DED		31-51-12	D00815			N2			
148	24	PV	D00813	10		31-51-12	D00823	30		N2	3		
148Z			D00813	DED		31-51-12	D00823			N2			
149	20	PA	SM00031		W	31-51-12	GDX0005	D..	2	N2			
150	22	PA	D04301J	6		27-32-11	D00823	34		N2	2		
151	24	PK	D04509J	1		27-32-11	D00823	39		N2	2		
152	24	PK	D04347J	26		27-32-11	D00823	40		N2	2		
153	24	PK	D00823	31		27-32-11	D04509J	6		N2	2		
154	20	PA	D04509J	7		27-32-11	GDX0001	D..	2	N2	2		
155	24	PK	SM00037		W	27-32-11	D04511J	3		N2	1		

286T0045-0BD
Wire Bundle Assembly
Figure 142 (Sheet 7)

25-71-02

TESTING & TROUBLE SHOOTING

01

Page 194I

Nov 01/02

WIRE			FROM EQUIPMENT			TO EQUIPMENT			WIRE INFO				
NUMBER	GA	TYP	NUMBER	TERM	TT	WDM REF	NUMBER	TERM	TT	EMC/SEP	FT	NOTE	EFFECTIVITY
156	24	PK	D00823	38		27-32-11	D04511J	2		N2	2		
157	24	PK	D04511J	4		27-32-11	SM00050		W	N2	1		
158	24	PK	SM00037		W	27-32-11	D00823	4		N2	1		
159	24	PK	D04349J	14		27-32-11	D00823	36		N2	1		
160	24	PK	D04349J	15		27-32-11	D00823	3		N2	1		
161	24	PK	D04349J	16		27-32-11	D00823	43		N2	1		
162	24	PK	D04349J	10		27-32-11	D00823	2		N2	1		
165	22	PA	D04349J	11		27-32-21	D01381	34		N2	2		
166	24	PK	D01381	40		27-32-21	D04349J	6		N2	2		
167	24	PK	D01381	31		27-32-21	D04511J	7		N2	2		
168	20	PA	GDX0002	D..	2	27-32-21	D04511J	8		N2	2		
169	24	PK	D04349J	34		27-32-21	D01381	36		N2	2		
170	24	PK	D04349J	35		27-32-21	D01381	3		N2	2		
171	24	PK	D04349J	36		27-32-21	D01381	43		N2	2		
172	24	PK	D04349J	37		27-32-21	D01381	2		N2	2		
173	24	PK	D04511J	13		27-32-21	D01381	4		N2	2		
174	24	PK	D04511J	16		27-32-21	D01381	37		N2	2		
175	24	PK	D04511J	15		27-32-21	D01381	38		N2	2		
176	24	PK	D04509J	8		27-32-21	D01381	39		N2	2		
177	24	PK	D00815	34		31-51-21	SM00057		W	N2	1		
178	24	PK	D00815	43		31-51-21	D01433	19		N2	2		
179	24	PK	D00815	10		31-51-21	D00819	5		N2	2		
180	24	PK	D04507J	5		31-51-21	SM00034		W	N2	1		
181	24	PK	SM00058		W	31-51-21	D00815	66		N2	1		
182	24	PK	D00815	4		31-51-21	SM00034		W	N2	1		
183	24	PK	D00815	11		31-51-21	D04349J	39		N2	2		
184	22	PA	D00815	37		31-51-21	SM00035		W	N2	1		
185	22	PA	D00815	42		31-51-21	SM00036		W	N2	1		
186	24	PK	D04349J	5		31-51-21	SM00012		W	N2	1		
187	24	PK	D00815	2		31-51-21	SM00012		W	N2	1		
188	24	PK	SM00011		W	31-51-21	D04349J	4		N2	1		

286T0045-0BD
Wire Bundle Assembly
Figure 142 (Sheet 8)

25-71-02



BOEING
COMPONENT
MAINTENANCE MANUAL

WIRE			FROM EQUIPMENT			TO EQUIPMENT			WIRE INFO				
NUMBER	GA	TYP	NUMBER	TERM	TT	WDM REF	NUMBER	TERM	TT	EMC/SEP	FT	NOTE	EFFECTIVITY
189	24	PK	SM00011		W	31-51-21	D00815	35		N2	1		
190	24	PK	D04349J	12		31-51-21	SM00009		W	N2	1		
191	24	PK	D00815	44		31-51-21	SM00009		W	N2	1		
192	24	PK	D04347J	10		31-51-21	SM00008		W	N2	1		
193	24	PK	D00815	1		31-51-21	SM00008		W	N2	1		
194	24	PK	D04347J	11		31-51-21	SM00010		W	N2	1		
195	24	PK	D00815	36		31-51-21	SM00010		W	N2	1		
196	24	PK	SM00039		W	31-51-21	D04347J	21		N2	1		
197	24	PK	D00815	45		31-51-21	SM00039		W	N2	1		
198	24	PK	D00815	46		31-51-21	D04347J	6		N2	2		
199	20	PA	GDX0004	S..	2	31-51-31	D04597J	14		N2	2		
201B	24	PW	D01489	43		31-51-33	SM00004		W	N2	1		
201R	24	PW	D01489	9		31-51-33	SM00003		W	N2			
201Z			D01489	DED		31-51-33	SM00003	REF		N2			
204	20	UA	D04507J			27-32-11	GDX0004	S..	2	N2	2		
204B	24	PW	D00823	18		27-32-11	D04507J	12		N2	1		
204R	24	PW	D00823	16		27-32-11	D04507J	11		N2			
204Z			D04507J			27-32-11	D00823	DED		N2			
205B	24	PW	D00815	19		31-51-21	SM00007		W	N2	1		
205R	24	PW	D00815	52		31-51-21	SM00006		W	N2			
205Z			D00815	DED		31-51-21	SM00006	REF		N2			
207	20	UA	D04597J			31-51-21	GDX0004	S..	2	N2	2		
207B	24	PW	SM00007		W	31-51-21	D04597J	4		N2	1		
207R	24	PW	SM00006		W	31-51-21	D04597J	3		N2			
207Z			SM00006	REF		31-51-21	D04597J			N2			
208	20	UA	D04301J			34-16-11	GDX0002	S..	2	N2	2		
208B	24	PW	D00821	36		34-16-11	D04301J	9		N2	2		
208R	24	PW	D00821	2		34-16-11	D04301J	8		N2			
208Z			D00821	DED		34-16-11	D04301J			N2			
209B	24	PW	D01489	46		31-51-33	SM00007		W	N2			
209R	24	PW	D01489	12		31-51-33	SM00006		W	N2	1		

286T0045-0BD
Wire Bundle Assembly
Figure 142 (Sheet 9)

25-71-02

TESTING & TROUBLE SHOOTING

01

Page 194K

Nov 01/02

WIRE			FROM EQUIPMENT			TO EQUIPMENT			WIRE INFO				
NUMBER	GA	TYP	NUMBER	TERM	TT	WDM REF	NUMBER	TERM	TT	EMC/SEP	FT	NOTE	EFFECTIVITY
209Z			D01489	DED		31-51-33	SM00006	REF		N2			
212B	24	PW	D01433	36		31-51-42	SM00007		W	N2	1		
212R	24	PW	D01433	2		31-51-42	SM00006		W	N2			
212Z			D01433	DED		31-51-42	SM00006	REF		N2			
213	20	UA	D04507J			34-16-11	GDX0004	S..	2	N2	2		
213B	24	PW	D00821	35		34-16-11	D04507J	8		N2	2		
213R	24	PW	D00821	1		34-16-11	D04507J	9		N2			
213Z			D00821	DED		34-16-11	D04507J			N2			
214	20	UA	D04349J			34-16-11	GDX0004	S..	2	N2	2		
214B	24	PW	D00821	37		34-16-11	D04349J	19		N2	2		
214R	24	PW	D00821	3		34-16-11	D04349J	18		N2			
214Z			D00821	DED		34-16-11	D04349J			N2			
215B	24	PL	D01487	24		31-51-31	D04597J	12		N2	2		
215R	24	PL	D01487	23		31-51-31	D04597J	13		N2			
216B	24	PL	D00817	24		31-51-32	D04303J	12		N2	2		
216R	24	PL	D00817	23		31-51-32	D04303J	11		N2			
221B	24	PW	D01489	45		31-51-33	SM00004		W	N2	1		
221R	24	PW	D01489	11		31-51-33	SM00003		W	N2			
221Z			D01489	DED		31-51-33	SM00003	REF		N2			
223B	24	PW	D00821	38		34-16-11	SM00004		W	N2	1		
223R	24	PW	D00821	4		34-16-11	SM00003		W	N2			
223Z			D00821	DED		34-16-11	SM00003	REF		N2			
224	20	UA	D04349J			27-32-21	GDX0004	S..	2	N2	2		
224B	24	PW	D04349J	28		27-32-21	D01381	18		N2	2		
224R	24	PW	D04349J	27		27-32-21	D01381	16		N2			
224Z			D04349J			27-32-21	D01381	DED		N2			
225B	22	PR	D00811	69		31-51-11	SM00060		W	N2	2		
225R	22	PR	D00811	68		31-51-11	SM00060		W	N2			
225Z			D00811	DED		31-51-11	SM00028	REF		N2			
226B	22	PR	D00813	69		31-51-12	SM00061		W	N2	2		
226R	22	PR	D00813	68		31-51-12	SM00061		W	N2			

286T0045-0BD
Wire Bundle Assembly
Figure 142 (Sheet 10)

25-71-02



BOEING
COMPONENT
MAINTENANCE MANUAL

WIRE		FROM EQUIPMENT		TO EQUIPMENT		WIRE INFO							
NUMBER	GA	TYP	NUMBER	TERM	TT	WDM REF	NUMBER	TERM	TT	EMC/SEP	FT	NOTE	EFFECTIVITY
226Z			D00813	DED		31-51-12	SM00061	DED		N2			
230	20	UA	D04347J			31-51-33	GDX0003	S..	2	N2	2		
230B	24	PW	D04347J	18		31-51-33	SM00004		W	N2	1		
230R	24	PW	D04347J	17		31-51-33	SM00003		W	N2			
230Z			D04347J			31-51-33	SM00003	REF		N2			
236	20	UA	D04347J			27-32-11	GDX0001	S..	2	N2	2		
236B	24	PW	D04347J	37		27-32-11	D00823	54		N2	2		
236R	24	PW	D04347J	36		27-32-11	D00823	23		N2			
236Z			D04347J			27-32-11	D00823	DED		N2			
237B	24	PW	D04347J	40		27-32-11	D00823	13		N2	2		
237R	24	PW	D04347J	39		27-32-11	D00823	12		N2			
237Z			D04347J			27-32-11	D00823	DED		N2			
238	20	UA	D04349J			27-32-21	GDX0001	S..	2	N2	2		
238B	24	PW	D04349J	49		27-32-21	D01381	54		N2	2		
238R	24	PW	D04349J	48		27-32-21	D01381	23		N2			
238Z			D04349J			27-32-21	D01381	DED		N2			
239B	24	PW	D01381	20		27-32-21	D04349J	55		N2	2		
239R	24	PW	D01381	19		27-32-21	D04349J	54		N2			
239Z			D01381	DED		27-32-21	D04349J			N2			
240B	24	PL	D04347J	23		31-51-31	SM00080		W	N2	1		
240R	24	PL	D04347J	22		31-51-31	SM00042		W	N2			
241B	24	PL	D01487	60		31-51-31	SM00080		W	N2	1		
241R	24	PL	D01487	28		31-51-31	SM00042		W	N2			
242B	24	PL	D00817	60		31-51-32	SM00080		W	N2	1		
242R	24	PL	D00817	28		31-51-32	SM00042		W	N2			
243B	24	PW	D04349J	52		27-32-21	D01381	13		N2	2		
243R	24	PW	D04349J	51		27-32-21	D01381	12		N2			
243Z			D04349J			27-32-21	D01381	DED		N2			
245B	24	PW	D00823	20		27-32-11	D04347J	48		N2	2		
245R	24	PW	D00823	19		27-32-11	D04347J	47		N2			
245Z			D00823	DED		27-32-11	D04347J			N2			

286T0045-0BD
Wire Bundle Assembly
Figure 142 (Sheet 11)

25-71-02

TESTING & TROUBLE SHOOTING

01

Page 194M

Nov 01/02

WIRE			FROM EQUIPMENT				TO EQUIPMENT				WIRE INFO			
NUMBER	GA	TYP	NUMBER	TERM	TT	WDM REF	NUMBER	TERM	TT	EMC/SEP	FT	NOTE	EFFECTIVITY	
247	20	UA	D04349J			31-41-35	GDX0006	S..	2	N2	2			
247B	24	PW	D02261	42		31-41-35	D04349J	57		N2	2			
247R	24	PW	D02261	43		31-41-35	D04349J	56		N2				
247Z			D02261	DED		31-41-35	D04349J			N2				
248	20	UA	D04349J			28-41-11	GDX0006	S..	2	N2	2			
248B	24	PW	D02261	5		28-41-11	D04349J	60		N2	2			
248R	24	PW	D02261	8		28-41-11	D04349J	59		N2				
248Z			D02261	DED		28-41-11	D04349J			N2				
271B	24	PL	D04597J	5		31-51-31	SM00088		W	N2	1			
271R	24	PL	D04597J	2		31-51-31	SM00087		W	N2	1			
272B	24	PL	D01487	63		31-51-31	SM00088		W	N2	1			
272R	24	PL	D01487	62		31-51-31	SM00087		W	N2	1			
273B	24	PL	D00817	63		31-51-32	SM00088		W	N2	1			
273R	24	PL	D00817	62		31-51-32	SM00087		W	N2	1			
290B	24	PW	D04597J	8		34-43-15	SM00104		W	N2	1			
290R	24	PW	D04597J	7		34-43-15	SM00103		W	N2	1			
290Z			D04597J	9		34-43-15	SM00103	REF		N2				
291B	24	PW	D04303J	5		34-43-15	SM00104		W	N2	1			
291R	24	PW	D04303J	4		34-43-15	SM00103		W	N2	1			
291Z			D04303J	6		34-43-15	SM00103	REF		N2				
292B	24	PW	D04347J	53		34-43-15	SM00104		W	N2	1			
292R	24	PW	D04347J	51		34-43-15	SM00103		W	N2	1			
292Z			D04347J	61		34-43-15	SM00103	REF		N2				
301	20	UA	SM00028	REF		31-51-11	GDX0005	S..	2	N2	1			
301B	22	PS	D00811	57		31-51-11	SM00028		W	N2	2			
301R	22	PS	D00811	38		31-51-11	SM00028		W	N2				
301Y	22	PS	D00811	58		31-51-11	SM00028		W	N2				
301Z			D00811	DED		31-51-11	SM00028	REF		N2				
302B	22	PS	D00811	42		31-51-11	SM00029		W	N2	2			
302R	22	PS	D00811	41		31-51-11	SM00029		W	N2				
302Y	22	PS	D00811	43		31-51-11	SM00029		W	N2				

286T0045-0BD
Wire Bundle Assembly
Figure 142 (Sheet 12)

25-71-02



BOEING
COMPONENT
MAINTENANCE MANUAL

WIRE		FROM EQUIPMENT			TO EQUIPMENT			WIRE INFO					
NUMBER	GA	TYP	NUMBER	TERM	TT	WDM REF	NUMBER	TERM	TT	EMC/SEP	FT	NOTE	EFFECTIVITY
302Z			D00811	DED		31-51-11	SM00028	REF		N2			
303B	22	PS	D00811	8		31-51-11	SM00026		W	N2	2		
303R	22	PS	D00811	7		31-51-11	SM00026		W	N2			
303Y	22	PS	D00811	9		31-51-11	SM00026		W	N2			
303Z			D00811	DED		31-51-11	SM00028	REF		N2			
304B	22	PS	D00811	25		31-51-11	SM00027		W	N2	2		
304R	22	PS	D00811	24		31-51-11	SM00027		W	N2			
304Y	22	PS	D00811	37		31-51-11	SM00027		W	N2			
304Z			D00811	DED		31-51-11	SM00028	REF		N2			
305	20	UA	SM00033	REF		31-51-12	GDX0005	S..	2	N2	1		
305B	22	PS	D00813	8		31-51-12	SM00030		W	N2	2		
305R	22	PS	D00813	7		31-51-12	SM00030		W	N2			
305Y	22	PS	D00813	9		31-51-12	SM00030		W	N2			
305Z			D00813	DED		31-51-12	SM00030	DED		N2			
306B	22	PS	D00813	25		31-51-12	SM00031		W	N2	2		
306R	22	PS	D00813	24		31-51-12	SM00031		W	N2			
306Y	22	PS	D00813	37		31-51-12	SM00031		W	N2			
306Z			D00813	DED		31-51-12	SM00031	DED		N2			
307B	22	PS	D00813	57		31-51-12	SM00032		W	N2	2		
307R	22	PS	D00813	38		31-51-12	SM00032		W	N2			
307Y	22	PS	D00813	58		31-51-12	SM00032		W	N2			
307Z			D00813	DED		31-51-12	SM00032	DED		N2			
308B	22	PS	D00813	42		31-51-12	SM00033		W	N2	2		
308R	22	PS	D00813	41		31-51-12	SM00033		W	N2			
308Y	22	PS	D00813	43		31-51-12	SM00033		W	N2			
308Z			D00813	DED		31-51-12	SM00033	REF		N2			
512	24	PK	D02261	20		27-81-31	D04349J	8		N2	2		
601	20	PA	SM00060		W	31-51-11	GDX0004	D..	2	N2			
602	20	PA	SM00061		W	31-51-12	GDX0005	D..	2	N2			
603	24	PV	D04301J	5		31-51-12	M01103	INE	D	N2	1		
603Z			D04301J	DED		31-51-12	M01103			N2			

286T0045-0BD
Wire Bundle Assembly
Figure 142 (Sheet 13)

25-71-02

TESTING & TROUBLE SHOOTING
01

Page 1940
Nov 01/02

WIRE			FROM EQUIPMENT			TO EQUIPMENT			WIRE INFO				
NUMBER	GA	TYP	NUMBER	TERM	TT	WDM REF	NUMBER	TERM	TT	EMC/SEP	FT	NOTE	EFFECTIVITY
604	24	PV	D04301J	4		31-51-12	D00813	4		N2	3		
604Z			D04301J	DED		31-51-12	D00813			N2			
605	24	PV	D00813	1		31-51-12	M01103	OAD	D	N2	3		
605Z			D00813			31-51-12	M01103	DED		N2			
606	24	PV	D04349J	32		31-51-11	M01102	INE	D	N2	1		
606Z			D04349J	DED		31-51-11	M01102			N2			
607	24	PV	D04349J	33		31-51-11	D00811	4		N2	3		
607Z			D04349J	DED		31-51-11	D00811			N2			
608	24	PV	D00811	1		31-51-11	M01102	OAD	D	N2	3		
608Z			D00811			31-51-11	M01102	DED		N2			
610	24	PK	D00823	37		27-32-11	SM00050		W	N2	1		
611	24	PK	D01433	6		31-51-42	D04347J	20		N2	2		
612	24	PK	D01433	4		31-51-42	SM00050		W	N2	1		
613	24	PK	D04349J	30		31-51-31	SM00065		W	N2	1		
614	24	PK	D01487	52		31-51-31	SM00065		W	N2	1		
615	24	PK	D00817	52		31-51-32	SM00065		W	N2	1		
617	24	PK	D01381	11		27-32-12	D00823	56		N2	1		
618	24	PK	D01381	56		27-32-12	D00823	11		N2	1		
619	24	PK	D00823	45		27-32-12	SM00082		W	N2	1		
620	24	PK	D04349J	29		31-51-21	SM00071		W	N2	1		
621	24	PK	D00815	7		31-51-21	SM00071		W	N2	1		
622	24	PK	D01489	2		31-51-33	SM00071		W	N2	1		
623	24	PK	D01489	36		31-51-33	SM00038		W	N2	1		
624	24	PK	D00815	8		31-51-21	SM00045		W	N2	1		
625	24	PK	D01487	9		31-51-31	SM00034		W	N2	1		
628	22	PA	D01487	20		31-51-31	GDX0006	D..	2	N2	2		
629	22	PA	D01487	53		31-51-31	GDX0006	D..	2	N2	2		
630	22	PA	D01487	21		31-51-31	GDX0006	D..	2	N2	2		
631	24	PK	D00817	9		31-51-32	SM00034		W	N2	1		
634	22	PA	D00817	20		31-51-32	GDX0006	D..	2	N2	2		
635	22	PA	D00817	53		31-51-32	GDX0006	D..	2	N2	2		

286T0045-0BD
Wire Bundle Assembly
Figure 142 (Sheet 14)

25-71-02



BOEING
COMPONENT
MAINTENANCE MANUAL

WIRE		FROM EQUIPMENT			TO EQUIPMENT			WIRE INFO					
NUMBER	GA	TYP	NUMBER	TERM	TT	WDM REF	NUMBER	TERM	TT	EMC/SEP	FT	NOTE	EFFECTIVITY
636	22	PA	D00817	21		31-51-32	GDX0006	D..	2	N2	2		
641	24	PK	D04507J	7		34-16-11	SM00048		W	N2	1		
642	24	PK	D00821	34		34-16-11	SM00048		W	N2	1		
643	24	PK	D00821	66		34-16-11	SM00048		W	N2	1		
644	22	PQ	D00823	66		27-32-31	D04347J	42		N2	2		
644Z			D00823	DED		27-32-31	D04347J	DED		N2			
646	22	PQ	D01381	66		27-32-31	D04349J	42		N2	2		
646Z			D01381	DED		27-32-31	D04349J	DED		N2			
648	24	PK	D04347J	32		34-16-11	D00821	40		N2	2		
649	24	PK	D04347J	33		34-16-11	SM00038		W	N2	1		
681	24	PK	D01433	10		31-51-43	D04507J	10		N2	2		
682	24	PK	D01433	13		31-51-43	D04347J	46		N2	2		
683	22	PA	D01433	41		31-51-43	SM00081		W	N2	1		
684	20	PA	GDX0001	D..	2	31-51-43	D04349J	47		N2	2		
685	24	PK	D00823	58		27-32-12	D01505	A1		N2	2		
686	24	PK	D00823	8		27-32-11	SM00038		W	N2	1		
687	24	PK	D00823	64		27-32-11	SM00081		W	N2	1		
688	24	PK	D01381	58		27-32-22	D01503	A1		N2	2		
689	24	PK	D01381	45		27-32-22	SM00085		W	N2	1		
692	24	PK	D01381	8		27-32-21	SM00038		W	N2	1		
693	24	PK	D04347J	30		31-51-21	D00815	6		N2	2		
694	22	PA	D04349J	46		31-51-43	SM00081		W	N2	1		
696	20	PA	GDX0003	D..	2	27-32-12	SM00082		W	N2	1		
697	20	PA	GDX0003	D..	2	27-32-22	SM00085		W	N2	1		
701	24	PK	D00815	49		31-51-21	D00815	22		N2			
702	24	PK	D00815	16		31-51-21	D00815	48		N2			
703	24	PK	D00819	6		31-51-41	SM00019		W	N2	1		
704	24	PK	SM00075		W	31-51-41	D04511J	14		N2	1		
705	24	PK	D00819	45		31-51-41	D04511J	12		N2	2		
706	24	PK	D00819	10		31-51-41	D04349J	31		N2	2		
707	24	PK	D00819	21		31-51-41	D04509J	4		N2	2		

286T0045-0BD
Wire Bundle Assembly
Figure 142 (Sheet 15)

25-71-02

TESTING & TROUBLE SHOOTING

01

Page 194Q

Nov 01/02

WIRE			FROM EQUIPMENT				TO EQUIPMENT				WIRE INFO			
NUMBER	GA	TYP	NUMBER	TERM	TT	WDM REF	NUMBER	TERM	TT	EMC/SEP	FT	NOTE	EFFECTIVITY	
708	24	PK	D00819	9		31-51-41	D04349J	7		N2	2			
709	24	PK	D00819	39		31-51-41	SM00044		W	N2	1			
710	24	PK	D00819	43		31-51-41	SM00037		W	N2	1			
711	24	PK	D00819	12		31-51-41	D04349J	21		N2	2			
712	24	PK	D00819	53		31-51-41	D04349J	3		N2	2			
713	24	PK	D00819	20		31-51-41	D04347J	9		N2	2			
714	24	PK	D00819	44		31-51-41	D04349J	24		N2	2			
715	24	PK	D04507J	6		31-51-42	SM00019		W	N2	1			
716	24	PK	D01433	34		31-51-42	SM00019		W	N2	1			
717	24	PK	D01433	37		31-51-42	SM00034		W	N2	1			
718	24	PK	D01433	39		31-51-42	D04509J	2		N2	2			
720	24	PK	D01433	52		31-51-42	SM00040		W	N2	1			
721	24	PK	D01433	38		31-51-42	D04347J	24		N2	2			
722	24	PK	D01433	5		31-51-42	D04349J	22		N2	2			
723	24	PK	D04511J	11		31-51-42	SM00038		W	N2	1			
724	24	PK	D01433	40		31-51-42	SM00038		W	N2	1			
725	24	PK	D01433	3		31-51-42	D04347J	13		N2	2			
726	22	PA	D04347J	14		31-51-21	SM00036		W	N2	1			
727	22	PA	D04301J	11		31-51-21	SM00035		W	N2	1			
728	24	PK	D04347J	1		31-51-41	D00819	35		N2	2			
729	24	PK	D04347J	2		31-51-41	D00819	1		N2	2			
730	24	PK	D04347J	3		31-51-41	D00819	36		N2	2			
731	24	PK	D04347J	4		31-51-41	D00819	2		N2	2			
732	24	PK	D04347J	5		31-51-42	D01433	20		N2	2			
733	24	PK	D04347J	16		34-16-11	D00821	65		N2	2			
734	24	PK	D04347J	8		31-51-31	SM00046		W	N2	1			
737	24	PK	SM00041		W	34-16-11	D00821	31		N2	1			
738	24	PK	D04347J	19		34-16-11	D00821	7		N2	2			
739	24	PK	SM00075		W	34-16-11	D00821	6		N2	2			
741	24	PK	D00821	18		34-16-11	D00821	22		N2	2			
742	24	PK	D00821	50		34-16-11	D00821	48		N2	2			

286T0045-0BD
Wire Bundle Assembly
Figure 142 (Sheet 16)

25-71-02



BOEING
COMPONENT
MAINTENANCE MANUAL

WIRE			FROM EQUIPMENT			TO EQUIPMENT			WIRE INFO				
NUMBER	GA	TYP	NUMBER	TERM	TT	WDM REF	NUMBER	TERM	TT	EMC/SEP	FT	NOTE	EFFECTIVITY
746	24	PK	D04597J	10		31-51-31	SM00043		W	N2	1		
747	24	PK	D01487	46		31-51-31	SM00043		W	N2	1		
748	24	PK	D04347J	7		31-51-31	SM00045		W	N2	1		
749	24	PK	D01487	10		31-51-31	SM00045		W	N2	1		
750	24	PK	D01487	19		31-51-31	SM00046		W	N2	1		
751	24	PK	D01487	13		31-51-31	SM00040		W	N2	1		
752	24	PK	D01487	47		31-51-31	SM00044		W	N2	1		
753	24	PK	D01487	51		31-51-31	SM00041		W	N2	1		
755	24	PV	D01487	1		31-51-31	SM00035		W	N2	1		
755Z			D01487	DED		31-51-31	SM00035	DED		N2			
756	24	PK	D01487	50		31-51-31	SM00036		W	N2	1		
757	24	PK	D01487	49		31-51-31	SM00039		W	N2	1		
758	24	PK	D01487	22		31-51-31	D01489	23		N2	2		
759	24	PK	D01487	55		31-51-31	D01489	47		N2	2		
760	24	PK	D01487	34		31-51-31	D01489	51		N2	2		
761	24	PK	D01487	66		31-51-31	D01489	57		N2	2		
762	24	PK	D00817	10		31-51-32	SM00045		W	N2	1		
763	24	PK	D00817	46		31-51-32	SM00043		W	N2	1		
764	24	PV	D00817	1		31-51-32	SM00035		W	N2	1		
764Z			D00817	DED		31-51-32	SM00035	DED		N2			
765	24	PK	D00817	50		31-51-32	SM00036		W	N2	1		
766	24	PV	D00817	49		31-51-32	SM00053		W	N2	1		
766Z			D00817	DED		31-51-32	SM00053	DED		N2			
767	24	PK	D00817	19		31-51-32	SM00046		W	N2	1		
768	24	PK	D00817	13		31-51-32	SM00040		W	N2	1		
769	24	PK	D00817	47		31-51-32	SM00044		W	N2	1		
770	24	PK	D00817	51		31-51-32	SM00041		W	N2	1		
772	24	PK	D00817	22		31-51-32	D01489	54		N2	2		
773	24	PK	D00817	55		31-51-32	D01489	13		N2	2		
774	24	PK	D00817	34		31-51-32	D01489	25		N2	2		
775	24	PK	D00817	66		31-51-32	D01489	58		N2	2		

286T0045-0BD
Wire Bundle Assembly
Figure 142 (Sheet 17)

25-71-02

TESTING & TROUBLE SHOOTING
01

Page 194S
Nov 01/02

WIRE			FROM EQUIPMENT				TO EQUIPMENT				WIRE INFO			
NUMBER	GA	TYP	NUMBER	TERM	TT	WDM REF	NUMBER	TERM	TT	EMC/SEP	FT	NOTE	EFFECTIVITY	
776	24	PK	D01489	42		31-51-33	D04347J	15		N2	2			
777	24	PK	D01489	8		31-51-33	D04349J	13		N2	2			
779	24	PK	D01489	35		31-51-33	D04349J	40		N2	2			
780	24	PK	D01489	53		31-51-33	D04349J	2		N2	2			
781	24	PK	D01489	31		31-51-33	D01489	48		N2				
782	24	PK	D01489	18		31-51-33	D01489	22		N2				
783	24	PK	D01489	38		31-51-33	SM00008		W	N2	1			
784	24	PK	D01489	4		31-51-33	SM00011		W	N2	1			
785	24	PK	D01489	37		31-51-33	SM00012		W	N2	1			
786	24	PK	D01489	3		31-51-33	SM00010		W	N2	1			
787	24	PK	D01489	1		31-51-33	SM00009		W	N2	1			
788	24	PK	D01489	6		31-51-33	SM00034		W	N2	1			
789	24	PK	D01489	41		31-51-33	D04509J	11		N2	2			
791	24	PK	D01489	7		31-51-33	D04509J	10		N2	2			
792	24	PK	D01489	40		31-51-33	D04509J	9		N2	2			
793	24	PK	D00819	11		31-51-41	SM00075		W	N2	1			
794	20	PA	D04303J	10		31-51-32	GDX0004	S..	2	N2	2			
795	24	PK	D01433	9		31-51-42	D01433	48		N2				
796	24	PK	D01433	22		31-51-42	D01433	50		N2				
797	24	PV	D00815	41		31-51-21	SM00053		W	N2	1			
797Z			D00815	DED		31-51-21	SM00053	DED		N2				
798	24	PV	D04349J	9		31-51-21	SM00053		W	N2	1			
798Z			D04349J	DED		31-51-21	SM00053	DED		N2				
817	24	PK	D00823	55		27-32-12	D11553	6		N2	2			
818	24	PK	D00823	21		27-32-12	D11553	4		N2	2			
819	24	PK	D00823	51		27-32-12	D11553	3		N2	2			
820	24	PK	D00823	50		27-32-12	D11553	2		N2	2			
821	24	PK	D00823	49		27-32-12	D11553	7		N2	2			
822	24	PK	D00823	47		27-32-12	D11553	8		N2	2			
823	24	PK	D00823	46		27-32-12	D11553	9		N2	2			
824	24	PK	D00823	53		27-32-12	D11553	5		N2	2			

286T0045-0BD
Wire Bundle Assembly
Figure 142 (Sheet 18)

25-71-02



BOEING
COMPONENT
MAINTENANCE MANUAL

WIRE		FROM EQUIPMENT		TO EQUIPMENT		WIRE INFO							
NUMBER	GA	TYP	NUMBER	TERM	TT	WDM REF	NUMBER	TERM	TT	EMC/SEP	FT	NOTE	EFFECTIVITY
825	24	PK	D00823	62		27-32-12	D11553	24		N2	2		
826	24	PK	D01381	55		27-32-22	D11553	16		N2	2		
827	24	PK	D01381	21		27-32-22	D11553	14		N2	2		
828	24	PK	D01381	51		27-32-22	D11553	13		N2	2		
829	24	PK	D01381	50		27-32-22	D11553	12		N2	2		
830	24	PK	D01381	49		27-32-22	D11553	17		N2	2		
831	24	PK	D01381	47		27-32-22	D11553	18		N2	2		
832	24	PK	D01381	46		27-32-22	D11553	19		N2	2		
833	24	PK	D01381	53		27-32-22	D11553	15		N2	2		
834	24	PK	D01381	62		27-32-22	D11553	34		N2	2		
835	24	PK	D04349J	50		27-32-21	D01381	64		N2	2		
836	20	PA	D04349J	53		27-32-21	GDX0002	S..	2	N2	2		
837	24	PK	D00823	42		27-32-12	SM00082	S..	W	N2	1		
838	24	PK	D01381	42		27-32-22	SM00085	S..	W	N2	1		
842	24	PK	D01381	6		27-32-22	SM00085	S..	W	N2	1		
843	24	PK	D00823	6		27-32-12	SM00082	S..	W	N2	1		
862	22	PA	D02261	30		31-41-35	GDX0006	S..	2	N2	1		
863	22	PA	D02261	32		31-41-35	GDX0006	S..	2	N2	1		
864	22	PA	D02261	33		31-41-35	GDX0006	S..	2	N2	1		
865	22	PA	D02261	64		31-41-35	GDX0006	S..	2	N2	1		
866	24	PV	D02261	27		31-51-11	SM00018	REF	W	N2	1		
866Z			D02261	DED		31-51-11	SM00018	REF		N2			
867	24	PV	D02261	28		31-51-11	SM00047	REF	W	N2	1		
867Z			D02261	DED		31-51-11	SM00047	REF		N2			
868	24	PV	D02261	29		31-51-12	SM00054	REF	W	N2	1		
868Z			D02261	DED		31-51-12	SM00054	REF		N2			
869	24	PK	D02261	34		31-51-12	SM00025	REF	W	N2	1		
870	22	PA	D02261	56		31-51-12	GDX0001	S..	2	N2	2		
871	22	PA	D02261	57		31-51-12	GDX0003	S..	2	N2	2		
872	22	PA	D02261	59		31-51-11	GDX0005	S..	2	N2	1		
873	24	PV	D02261	60		31-51-12	SM00055	REF	W	N2	1		

286T0045-0BD
Wire Bundle Assembly
Figure 142 (Sheet 19)

25-71-02

TESTING & TROUBLE SHOOTING
01 Page 194U
Nov 01/02

WIRE			FROM EQUIPMENT			TO EQUIPMENT			WIRE INFO				
NUMBER	GA	TYP	NUMBER	TERM	TT	WDM REF	NUMBER	TERM	TT	EMC/SEP	FT	NOTE	EFFECTIVITY
873Z			D02261	DED		31-51-12	SM00055	REF		N2			
874	24	PV	D02261	62		31-51-11	SM00049		W	N2	1		
874Z			D02261	DED		31-51-11	SM00049	REF		N2			
875	24	PV	D02261	63		31-51-12	SM00056		W	N2	1		
875Z			D02261	DED		31-51-12	SM00056	REF		N2			
876	24	PK	D02261	65		31-51-11	SM00022		W	N2	1		
877	24	PV	D00811	14		31-51-11	SM00018		W	N2	2		
877Z			D00811	DED		31-51-11	SM00018	REF		N2			
878	24	PV	D00811	48		31-51-11	SM00047		W	N2	2		
878Z			D00811	DED		31-51-11	SM00047	REF		N2			
879	24	PV	D00811	23		31-51-11	SM00049		W	N2	2		
879Z			D00811	DED		31-51-11	SM00049	REF		N2			
880	24	PV	D00813	14		31-51-12	SM00054		W	N2	2		
880Z			D00813	DED		31-51-12	SM00054	REF		N2			
881	24	PV	D00813	48		31-51-12	SM00055		W	N2	2		
881Z			D00813	DED		31-51-12	SM00055	REF		N2			
882	24	PV	D00813	23		31-51-12	SM00056		W	N2	2		
882Z			D00813	DED		31-51-12	SM00056	REF		N2			
883	22	PA	D02261	15		38-32-11	D04349J	26		N2	2		
884	22	PA	D02261	47		38-32-11	D04347J	27		N2	2		
885	24	PK	D04303J	9		31-51-21	SM00057		W	N2	1		
886	24	PK	D04507J	3		31-51-21	SM00058		W	N2	1		
887	24	PK	D04507J	1		31-51-21	SM00058		W	N2	1		
888	24	PK	SM00057		W	31-51-21	D04349J	44		N2	1		

286T0045-0BD
Wire Bundle Assembly
Figure 142 (Sheet 20)



BOEING
COMPONENT
MAINTENANCE MANUAL

WIRE		FROM EQUIPMENT			TO EQUIPMENT			WIRE INFO					
NUMBER	GA	TYP	NUMBER	TERM	TT	WDM REF	NUMBER	TERM	TT	EMC/SEP	FT	NOTE	EFFECTIVITY
FRA			M01103			31-51-12	M01103	GND	D	N2			
FRB			D00813			31-51-12	D00813	59		N2			
FRC			M01102			31-51-11	M01102	GND	D	N2			
FRD			D00811			31-51-11	D00811	59		N2			
FRG			D04349J	58		31-41-35	D04349J			N2			
FRH			D04349J	61		28-41-11	D04349J			N2			
PA1			D00815	47		99-99-99	D00815	63		N2		DAW-B2	
PA2			D00817	8		99-99-99	D00817	57		N2		DAW-B2	
PA3			D00819	41		99-99-99	D00819	55		N2		DAW-B2	
PA4			D00821	43		99-99-99	D00821	60		N2		DAW-B2	
PA5			D00823	52		99-99-99	D00823	65		N2		DAW-B2	
PA6			D01433	44		99-99-99	D01433	61		N2		DAW-B2	
PA7			D01381	52		99-99-99	D01381	65		N2		DAW-B2	
PA8			D01487	8		99-99-99	D01487	57		N2		DAW-B2	
PA9			D01489	56		99-99-99	D01489	65		N2		DAW-B2	
PB1			D01739	7		99-99-99	D01739	62		N2		DAW-B2	
PB2			D01741	7		99-99-99	D01741	62		N2		DAW-B2	
PB4			D02261	54		99-99-99	D02261	61		N2		DAW-B2	
P01		SE	D11553							N2			
1	22	PA	D00811	60		31-51-11	GDX0001	S..	2	N2	3	UAE-F2	
2	22	PA	D00821	14		31-51-11	GDX0002	D..	2	N2	2		
3	24	PV	SM00068		W	31-51-11	D00821	27		N2	1		
003Z			SM00068			31-51-11	D00821			N2			
4	24	PV	SM00069		W	31-51-11	D00821	32		N2	1		
004Z			SM00069			31-51-11	D00821			N2			
5	24	PV	D00811	35		31-51-11	D00821	17		N2	3		
005Z			D00811	DED		31-51-11	D00821			N2			
6	24	PK	SM00022		W	31-51-11	D00821	51		N2	1		
7	24	PK	D00811	65		31-51-11	SM00022		W	N2	2		
8	24	PK	D00819	37		31-51-11	SM00022		W	N2	1		
9	24	PV	D00819	27		31-51-11	D00811	13		N2	3		

286T0045-0BE
Wire Bundle Assembly
Figure 143 (Sheet 1)

25-71-02

WIRE			FROM EQUIPMENT			TO EQUIPMENT			WIRE INFO				
NUMBER	GA	TYP	NUMBER	TERM	TT	WDM REF	NUMBER	TERM	TT	EMC/SEP	FT	NOTE	EFFECTIVITY
009Z			D00811	DED		31-51-11	D00819			N2			
10	22	PA	D00819	14		31-51-11	GDX0001	D..	2	N2	2		
11	24	PK	D01433	51		31-51-11	SM00022		W	N2	1		
12	24	PV	SM00018		W	31-51-11	D01433	27		N2	1		
012Z			SM00018	REF		31-51-11	D01433			N2			
13	24	PV	SM00047		W	31-51-11	D01433	32		N2	1		
013Z			SM00047	REF		31-51-11	D01433			N2			
14	24	PV	SM00049		W	31-51-11	D01433	17		N2	1		
014Z			SM00049	REF		31-51-11	D01433			N2			
15	22	PA	D01433	14		31-51-11	GDX0001	D..	2	N2	2		
16	20	PA	SM00028		W	31-51-11	GDX0005	D..	2	N2	2		
17	20	UA	GDX0002	S..	2	31-51-11	D00821			N2	2		
18	20	UA	GDX0005	S..	2	31-51-11	D00819			N2	2		
19	20	UA	D01433			31-51-11	GDX0002	S..	2	N2	2		
20	20	PA	GDX0005	D..	2	31-51-11	SM00029		W	N2	2		
21	20	UA	GDX0002	S..	2	31-51-11	D01503			N2	2		
23	20	UA	D00815			31-51-11	GDX0002	S..	2	N2	2		
24	24	PK	D04349J	38		31-51-11	SM00005		W	N2	1		
25	24	PK	D01503	A2		31-51-11	SM00005		W	N2	1		
26	20	PA	D01503	A3		31-51-11	GDX0003	D..	2	N2	2		
27	22	PQ	D01503	X2		31-51-11	D00811	75		N2	4		
027Z			D00811	DED		31-51-11	D01503			N2			
28	24	PV	D01503	X1		31-51-11	SM00015		W	N2	1		
028Z			SM00015	REF		31-51-11	D01503			N2			
29	24	PV	D00811	46		31-51-11	SM00015		W	N2	2		
029Z			SM00015	REF		31-51-11	D00811	DED		N2			
30	24	PK	SM00015		W	31-51-11	D11553	35		N2	1		
32	20	PA	D11553	11		31-51-11	GDX0003	D..	2	N2	2		
33	24	PK	D11553	37		31-51-11	D00811	34		N2	4		
34	24	PK	D11553	36		31-51-11	D00811	33		N2	4		
35	22	PA	D00815	14		31-51-11	GDX0001	D..	2	N2	2		

286T0045-OBE
Wire Bundle Assembly
Figure 143 (Sheet 2)

25-71-02



BOEING
COMPONENT
MAINTENANCE MANUAL

WIRE		FROM EQUIPMENT		TO EQUIPMENT		WIRE INFO							
NUMBER	GA	TYP	NUMBER	TERM	TT	WDM REF	NUMBER	TERM	TT	EMC/SEP	FT	NOTE	EFFECTIVITY
36	24	PV	D00815	27		31-51-11	D00811	12		N2	3		
036Z			D00811	DED		31-51-11	D00815			N2			
37	24	PV	D00815	32		31-51-11	D00811	17		N2	3		
037Z			D00811	DED		31-51-11	D00815			N2			
38	24	PV	D00815	17		31-51-11	D00811	22		N2	3		
038Z			D00811	DED		31-51-11	D00815			N2			
39	24	PK	D00815	54		31-51-11	SM00020		W	N2	1		
40	24	PK	D00811	63		31-51-11	SM00020		W	N2	2		
41	24	PK	D00823	35		31-51-11	SM00020		W	N2	1		
42	24	PK	D01381	35		31-51-11	SM00020		W	N2	1		
45	22	PA	D01381	14		31-51-11	GDX0001	D..	2	N2	2		
46	22	PA	D01381	48		31-51-11	GDX0003	D..	2	N2	2		
47	24	PV	D01381	27		31-51-11	D00811	11		N2	3		
047Z			D00811	DED		31-51-11	D01381			N2			
48	24	PV	D01381	32		31-51-11	D00811	16		N2	3		
048Z			D00811	DED		31-51-11	D01381			N2			
49	24	PV	D01381	17		31-51-11	D00811	21		N2	3		
049Z			D00811	DED		31-51-11	D01381			N2			
52	22	PA	D00823	14		31-51-11	GDX0001	D..	2	N2	2		
53	22	PA	D00823	48		31-51-11	GDX0003	D..	2	N2	2		
54	24	PV	D00823	27		31-51-11	D00811	10		N2	3		
054Z			D00811	DED		31-51-11	D00823			N2			
55	24	PV	D00823	32		31-51-11	D00811	15		N2	3		
055Z			D00811	DED		31-51-11	D00823			N2			
56	24	PV	D00823	17		31-51-11	D00811	20		N2	3		
056Z			D00811	DED		31-51-11	D00823			N2			
57	22	PA	D00817	14		31-51-11	GDX0002	D..	2	N2	2		
58	24	PV	D00817	27		31-51-11	D00811	51		N2	3		
058Z			D00811	DED		31-51-11	D00817			N2			
59	24	PV	D00817	32		31-51-11	D00811	74		N2	3		
059Z			D00811	DED		31-51-11	D00817			N2			

286T0045-0BE
Wire Bundle Assembly
Figure 143 (Sheet 3)

25-71-02

WIRE			FROM EQUIPMENT			TO EQUIPMENT			WIRE INFO				
NUMBER	GA	TYP	NUMBER	TERM	TT	WDM REF	NUMBER	TERM	TT	EMC/SEP	FT	NOTE	EFFECTIVITY
60	24	PK	D00817	45		31-51-11	SM00021		W	N2	1		
61	24	PK	D00811	64		31-51-11	SM00021		W	N2	2		
62	24	PK	D01489	16		31-51-11	SM00021		W	N2	1		
63	24	PK	D01487	45		31-51-11	SM00021		W	N2	1		
64	24	PV	D01487	27		31-51-11	D00811	47		N2	3		
064Z			D00811	DED		31-51-11	D01487			N2			
65	24	PV	D01487	32		31-51-11	D00811	70		N2	3		
065Z			D00811	DED		31-51-11	D01487			N2			
66	22	PA	D01487	14		31-51-11	GDX0003	D..	2	N2	2		
67	24	PV	D01489	27		31-51-11	D00811	45		N2	3		
067Z			D00811	DED		31-51-11	D01489			N2			
68	24	PV	D01489	32		31-51-11	D00811	50		N2	3		
068Z			D00811	DED		31-51-11	D01489			N2			
69	24	PV	D01489	17		31-51-11	D00811	36		N2	3		
069Z			D00811	DED		31-51-11	D01489			N2			
70	22	PA	D01489	14		31-51-11	GDX0003	D..	2	N2	2		
71	20	UA	D01381			31-51-11	GDX0002	S..	2	N2	2		
72	20	UA	D00823			31-51-11	GDX0002	S..	2	N2	2		
73	20	UA	D00817			31-51-11	GDX0002	S..	2	N2	2		
74	20	PA	SM00026		W	31-51-11	GDX0005	D..	2	N2	2		
75	20	UA	D01487			31-51-11	GDX0005	S..	2	N2	2		
76	20	UA	GDX0005	S..	2	31-51-11	D01489			N2	2		
77	24	PK	D02261	40		31-41-35	D04349J	1		N2	2		
78	20	PA	SM00027		W	31-51-11	GDX0005	D..	2	N2	2		
79	22	PA	D00813	60		31-51-12	GDX0003	S..	2	N2	2	UAE-F2	
80	22	PA	D00821	15		31-51-12	GDX0002	D..	2	N2	2		
81	24	PV	D00821	30		31-51-12	SM00073		W	N2	1		
081Z			D00821			31-51-12	SM00073			N2			
82	24	PV	D00821	33		31-51-12	SM00074		W	N2	1		
082Z			D00821			31-51-12	SM00074			N2			
83	24	PV	D00821	24		31-51-12	D00813	35		N2	3		

286T0045-OBE
Wire Bundle Assembly
Figure 143 (Sheet 4)

25-71-02



BOEING
COMPONENT
MAINTENANCE MANUAL

WIRE			FROM EQUIPMENT			TO EQUIPMENT			WIRE INFO				
NUMBER	GA	TYP	NUMBER	TERM	TT	WDM REF	NUMBER	TERM	TT	EMC/SEP	FT	NOTE	EFFECTIVITY
083Z			D00813	DED		31-51-12	D00821			N2			
84	24	PK	D00821	19		31-51-12	SM00025		W	N2	1		
85	24	PK	D00813	65		31-51-12	SM00025		W	N2	2		
86	24	PK	D00819	3		31-51-12	SM00025		W	N2	1		
87	24	PK	D01433	18		31-51-12	SM00025		W	N2	1		
88	22	PA	D01433	15		31-51-12	GDX0002	D..	2	N2	2		
89	24	PV	D01433	30		31-51-12	SM00054		W	N2	1		
089Z			SM00054	REF		31-51-12	D01433			N2			
90	24	PV	D01433	33		31-51-12	SM00055		W	N2	1		
090Z			SM00055	REF		31-51-12	D01433			N2			
91	24	PV	D01433	24		31-51-12	SM00056		W	N2	1		
091Z			SM00056	REF		31-51-12	D01433			N2			
92	22	PA	D00819	15		31-51-12	GDX0002	D..	2	N2	2		
93	24	PV	D00819	30		31-51-12	D00813	13		N2	3		
093Z			D00813	DED		31-51-12	D00819			N2			
94	20	PA	SM00032		W	31-51-12	GDX0005	D..	2	N2			
95	24	PV	D01505	X2		31-51-12	D00813	75		N2	3		
095Z			D00813	DED		31-51-12	D01505			N2			
96	24	PV	D01505	X1		31-51-12	SM00016		W	N2	1		
096Z			SM00016	REF		31-51-12	D01505			N2			
97	24	PV	D00813	46		31-51-12	SM00016		W	N2	2		
097Z			SM00016	REF		31-51-12	D00813	DED		N2			
98	20	PA	SM00033		W	31-51-12	GDX0005	D..	2	N2			
99	24	PK	SM00016		W	31-51-12	D11553	25		N2	1		
10A	24	PK	D01489	21		31-51-33	D04349J	23		N2	2		
100	20	PA	D11553	1		31-51-12	GDX0003	D..	2	N2	2		
101	20	UA	D00821			31-51-12	GDX0004	S..	2	N2	2		
102	20	UA	D00819			31-51-12	GDX0004	S..	2	N2	2		
103	20	UA	D01433			31-51-12	GDX0004	S..	2	N2	2		
104	20	UA	D01505			31-51-12	GDX0005	S..	2	N2	2		
106	20	UA	D00815			31-51-12	GDX0004	S..	2	N2	2		

286T0045-0BE
Wire Bundle Assembly
Figure 143 (Sheet 5)

25-71-02

WIRE			FROM EQUIPMENT			TO EQUIPMENT			WIRE INFO				
NUMBER	GA	TYP	NUMBER	TERM	TT	WDM REF	NUMBER	TERM	TT	EMC/SEP	FT	NOTE	EFFECTIVITY
107	20	UA	D01381			31-51-12	GDX0004	S..	2	N2	2		
109	20	UA	D00817			31-51-12	GDX0004	S..	2	N2	2		
110	20	UA	D01487			31-51-12	GDX0001	S..	2	N2	2		
111	20	UA	D01489			31-51-12	GDX0001	S..	2	N2	2		
112	22	PA	D00815	15		31-51-12	GDX0001	D..	2	N2	2		
113	24	PK	D01505	A2		31-51-12	SM00005		W	N2	1		
114	20	PA	D01505	A3		31-51-12	GDX0003	D..	2	N2	2		
115	24	PK	D02261	21		21-61-51	D04347J	25	W	N2	2		
116	24	PK	D00815	21		31-51-12	SM00023		W	N2	2		
117	24	PK	D00813	63		31-51-12	SM00023		W	N2	2		
118	24	PK	D00823	1		31-51-12	SM00023		W	N2	1		
119	24	PK	D01381	1		31-51-12	SM00023		W	N2	1		
120	22	PA	D01381	15		31-51-12	GDX0001	D..	2	N2	2		
121	24	PK	D00817	56		31-51-12	SM00024		W	N2	1		
122	24	PK	D00813	64		31-51-12	SM00024		W	N2	2		
123	24	PK	D01487	56		31-51-12	SM00024		W	N2	1		
124	22	PA	D00823	15		31-51-12	GDX0001	D..	2	N2	2		
125	20	UA	D00823			31-51-12	GDX0004	S..	2	N2	2		
126	24	PV	D00823	33		31-51-12	D00813	15		N2	3		
126Z			D00823			31-51-12	D00813	DED		N2			
127	24	PV	D00823	24		31-51-12	D00813	20		N2	3		
127Z			D00823			31-51-12	D00813	DED		N2			
128	22	PA	D00817	15		31-51-12	GDX0002	D..	2	N2	2		
129	24	PV	D00817	30		31-51-12	D00813	51		N2	3		
129Z			D00817			31-51-12	D00813	DED		N2			
130	24	PV	D00817	33		31-51-12	D00813	74		N2	3		
130Z			D00817			31-51-12	D00813	DED		N2			
131	24	PV	D00813	11		31-51-12	D01381	30		N2	3		
131Z			D01381			31-51-12	D00813	DED		N2			
132	24	PV	D00813	16		31-51-12	D01381	33		N2	3		
132Z			D01381			31-51-12	D00813	DED		N2			

286T0045-OBE
Wire Bundle Assembly
Figure 143 (Sheet 6)

25-71-02



BOEING
COMPONENT
MAINTENANCE MANUAL

WIRE			FROM EQUIPMENT			TO EQUIPMENT			WIRE INFO				
NUMBER	GA	TYP	NUMBER	TERM	TT	WDM REF	NUMBER	TERM	TT	EMC/SEP	FT	NOTE	EFFECTIVITY
133	24	PV	D01381	24		31-51-12	D00813	21		N2	3		
133Z			D01381			31-51-12	D00813	DED		N2			
134	24	PK	D01489	50		31-51-12	SM00024		W	N2	1		
135	24	PV	D01487	30		31-51-12	D00813	47		N2	3		
135Z			D01487			31-51-12	D00813	DED		N2			
136	24	PV	D01487	33		31-51-12	D00813	70		N2	3		
136Z			D01487			31-51-12	D00813	DED		N2			
137	22	PA	D01487	15		31-51-12	GDX0003	D..	2	N2	2		
138	24	PV	D01489	30		31-51-12	D00813	45		N2	3		
138Z			D01489			31-51-12	D00813	DED		N2			
139	24	PV	D01489	33		31-51-12	D00813	50		N2	3		
139Z			D01489			31-51-12	D00813	DED		N2			
140	24	PV	D01489	24		31-51-12	D00813	36		N2	3		
140Z			D01489			31-51-12	D00813	DED		N2			
141	22	PA	D01489	15		31-51-12	GDX0003	D..	2	N2	2		
142	24	PK	D00813	33		31-51-12	D11553	26		N2	3		
143	24	PK	D11553	27		31-51-12	D00813	34		N2	3		
144	24	PV	D00813	12		31-51-12	D00815	30		N2	3		
144Z			D00813	DED		31-51-12	D00815			N2			
145	20	PA	SM00030		W	31-51-12	GDX0005	D..	2	N2			
146	24	PV	D00813	17		31-51-12	D00815	33		N2	3		
146Z			D00813	DED		31-51-12	D00815			N2			
147	24	PV	D00813	22		31-51-12	D00815	24		N2	3		
147Z			D00813	DED		31-51-12	D00815			N2			
148	24	PV	D00813	10		31-51-12	D00823	30		N2	3		
148Z			D00813	DED		31-51-12	D00823			N2			
149	20	PA	SM00031		W	31-51-12	GDX0005	D..	2	N2			
150	22	PA	D04301J	6		27-32-11	D00823	34		N2	2		
151	24	PK	D04509J	1		27-32-11	D00823	39		N2	2		
152	24	PK	D04347J	26		27-32-11	D00823	40		N2	2		
153	24	PK	D00823	31		27-32-11	D04509J	6		N2	2		

286T0045-0BE
Wire Bundle Assembly
Figure 143 (Sheet 7)

25-71-02

WIRE			FROM EQUIPMENT				TO EQUIPMENT				WIRE INFO			
NUMBER	GA	TYP	NUMBER	TERM	TT	WDM REF	NUMBER	TERM	TT	EMC/SEP	FT	NOTE	EFFECTIVITY	
154	20	PA	D04509J	7		27-32-11	GDX0001	D..	2	N2	2			
155	24	PK	SM00037		W	27-32-11	D04511J	3		N2	1			
156	24	PK	D00823	38		27-32-11	D04511J	2		N2	2			
157	24	PK	D04511J	4		27-32-11	SM00050		W	N2	1			
158	24	PK	SM00037		W	27-32-11	D00823	4		N2	1			
159	24	PK	D04349J	14		27-32-11	D00823	36		N2	1			
160	24	PK	D04349J	15		27-32-11	D00823	3		N2	1			
161	24	PK	D04349J	16		27-32-11	D00823	43		N2	1			
162	24	PK	D04349J	10		27-32-11	D00823	2		N2	1			
165	22	PA	D04349J	11		27-32-21	D01381	34		N2	2			
166	24	PK	D01381	40		27-32-21	D04349J	6		N2	2			
167	24	PK	D01381	31		27-32-21	D04511J	7		N2	2			
168	20	PA	GDX0002	D..	2	27-32-21	D04511J	8		N2	2			
169	24	PK	D04349J	34		27-32-21	D01381	36		N2	2			
170	24	PK	D04349J	35		27-32-21	D01381	3		N2	2			
171	24	PK	D04349J	36		27-32-21	D01381	43		N2	2			
172	24	PK	D04349J	37		27-32-21	D01381	2		N2	2			
173	24	PK	D04511J	13		27-32-21	D01381	4		N2	2			
174	24	PK	D04511J	16		27-32-21	D01381	37		N2	2			
175	24	PK	D04511J	15		27-32-21	D01381	38		N2	2			
176	24	PK	D04509J	8		27-32-21	D01381	39		N2	2			
177	24	PK	D00815	34		31-51-21	SM00057		W	N2	1			
178	24	PK	D00815	43		31-51-21	D01433	19		N2	2			
179	24	PK	D00815	10		31-51-21	D00819	5		N2	2			
180	24	PK	D04507J	5		31-51-21	SM00034		W	N2	1			
181	24	PK	SM00058		W	31-51-21	D00815	66		N2	1			
182	24	PK	D00815	4		31-51-21	SM00034		W	N2	1			
183	24	PK	D00815	11		31-51-21	D04349J	39		N2	2			
184	22	PA	D00815	37		31-51-21	SM00035		W	N2	1			
185	22	PA	D00815	42		31-51-21	SM00036		W	N2	1			
186	24	PK	D04349J	5		31-51-21	SM00012		W	N2	1			

286T0045-OBE
Wire Bundle Assembly
Figure 143 (Sheet 8)

25-71-02



BOEING
COMPONENT
MAINTENANCE MANUAL

WIRE			FROM EQUIPMENT			TO EQUIPMENT			WIRE INFO				
NUMBER	GA	TYP	NUMBER	TERM	TT	WDM REF	NUMBER	TERM	TT	EMC/SEP	FT	NOTE	EFFECTIVITY
187	24	PK	D00815	2		31-51-21	SM00012		W	N2	1		
188	24	PK	SM00011		W	31-51-21	D04349J	4		N2	1		
189	24	PK	SM00011		W	31-51-21	D00815	35		N2	1		
190	24	PK	D04349J	12		31-51-21	SM00009		W	N2	1		
191	24	PK	D00815	44		31-51-21	SM00009		W	N2	1		
192	24	PK	D04347J	10		31-51-21	SM00008		W	N2	1		
193	24	PK	D00815	1		31-51-21	SM00008		W	N2	1		
194	24	PK	D04347J	11		31-51-21	SM00010		W	N2	1		
195	24	PK	D00815	36		31-51-21	SM00010		W	N2	1		
196	24	PK	SM00039		W	31-51-21	D04347J	21		N2	1		
197	24	PK	D00815	45		31-51-21	SM00039		W	N2	1		
198	24	PK	D00815	46		31-51-21	D04347J	6		N2	2		
199	20	PA	GDX0004	S..	2	31-51-31	D04597J	14		N2	2		
201B	24	PW	D01489	43		31-51-33	SM00004		W	N2	1		
201R	24	PW	D01489	9		31-51-33	SM00003		W	N2			
201Z			D01489	DED		31-51-33	SM00003	REF		N2			
204	20	UA	D04507J			27-32-11	GDX0004	S..	2	N2	2		
204B	24	PW	D00823	18		27-32-11	D04507J	12		N2	1		
204R	24	PW	D00823	16		27-32-11	D04507J	11		N2			
204Z			D04507J			27-32-11	D00823	DED		N2			
205B	24	PW	D00815	19		31-51-21	SM00007		W	N2	1		
205R	24	PW	D00815	52		31-51-21	SM00006		W	N2			
205Z			D00815	DED		31-51-21	SM00006	REF		N2			
207	20	UA	D04597J			31-51-21	GDX0004	S..	2	N2	2		
207B	24	PW	SM00007		W	31-51-21	D04597J	4		N2	1		
207R	24	PW	SM00006		W	31-51-21	D04597J	3		N2			
207Z			SM00006	REF		31-51-21	D04597J			N2			
208	20	UA	D04301J			34-16-11	GDX0002	S..	2	N2	2		
208B	24	PW	D00821	36		34-16-11	D04301J	9		N2			
208R	24	PW	D00821	2		34-16-11	D04301J	8		N2			
208Z			D00821	DED		34-16-11	D04301J			N2			

286T0045-0BE
Wire Bundle Assembly
Figure 143 (Sheet 9)

25-71-02

WIRE			FROM EQUIPMENT				TO EQUIPMENT				WIRE INFO			
NUMBER	GA	TYP	NUMBER	TERM	TT	WDM REF	NUMBER	TERM	TT	EMC/SEP	FT	NOTE	EFFECTIVITY	
209B	24	PW	D01489	46		31-51-33	SM00007		W	N2	1			
209R	24	PW	D01489	12		31-51-33	SM00006		W	N2				
209Z	24	PW	D01489	DED		31-51-33	SM00006	REF		N2				
212B	24	PW	D01433	36		31-51-42	SM00007		W	N2	1			
212R	24	PW	D01433	2		31-51-42	SM00006		W	N2				
212Z	24	PW	D01433	DED		31-51-42	SM00006	REF		N2				
213	20	UA	D04507J			34-16-11	GDX0004	S..	2	N2	2			
213B	24	PW	D00821	35		34-16-11	D04507J	8		N2	2			
213R	24	PW	D00821	1		34-16-11	D04507J	9		N2				
213Z	24	PW	D00821	DED		34-16-11	D04507J			N2				
214	20	UA	D04349J			34-16-11	GDX0004	S..	2	N2	2			
214B	24	PW	D00821	37		34-16-11	D04349J	19		N2	2			
214R	24	PW	D00821	3		34-16-11	D04349J	18		N2				
214Z	24	PW	D00821	DED		34-16-11	D04349J			N2				
215B	24	PL	D01487	24		31-51-31	D04597J	12		N2	2			
215R	24	PL	D01487	23		31-51-31	D04597J	13		N2				
216B	24	PL	D00817	24		31-51-32	D04303J	12		N2	2			
216R	24	PL	D00817	23		31-51-32	D04303J	11		N2				
221B	24	PW	D01489	45		31-51-33	SM00004		W	N2	1			
221R	24	PW	D01489	11		31-51-33	SM00003		W	N2				
221Z	24	PW	D01489	DED		31-51-33	SM00003	REF		N2				
223B	24	PW	D00821	38		34-16-11	SM00004		W	N2	1			
223R	24	PW	D00821	4		34-16-11	SM00003		W	N2				
223Z	24	PW	D00821	DED		34-16-11	SM00003	REF		N2				
224	20	UA	D04349J			27-32-21	GDX0004	S..	2	N2	2			
224B	24	PW	D04349J	28		27-32-21	D01381	18		N2	2			
224R	24	PW	D04349J	27		27-32-21	D01381	16		N2				
224Z	24	PW	D04349J	DED		27-32-21	D01381	DED		N2				
225B	22	PR	D00811	69		31-51-11	SM00060		W	N2	2			
225R	22	PR	D00811	68		31-51-11	SM00060		W	N2				
225Z	22	PR	D00811	DED		31-51-11	SM00028	REF		N2				

286T0045-OBE
Wire Bundle Assembly
Figure 143 (Sheet 10)

25-71-02



BOEING
COMPONENT
MAINTENANCE MANUAL

WIRE			FROM EQUIPMENT			TO EQUIPMENT			WIRE INFO				
NUMBER	GA	TYP	NUMBER	TERM	TT	WDM REF	NUMBER	TERM	TT	EMC/SEP	FT	NOTE	EFFECTIVITY
226B	22	PR	D00813	69		31-51-12	SM00061		W	N2	2		
226R	22	PR	D00813	68		31-51-12	SM00061		W	N2			
226Z			D00813	DED		31-51-12	SM00030	REF		N2			
230	20	UA	D04347J	18		31-51-33	GDX0003	S..	2	N2	2		
230B	24	PW	D04347J	17		31-51-33	SM00004		W	N2	1		
230R	24	PW	D04347J			31-51-33	SM00003		W	N2			
230Z			D04347J			31-51-33	SM00003	REF		N2			
236	20	UA	D04347J			27-32-11	GDX0001	S..	2	N2	2		
236B	24	PW	D04347J	37		27-32-11	D00823	54		N2	2		
236R	24	PW	D04347J	36		27-32-11	D00823	23		N2			
236Z			D04347J			27-32-11	D00823	DED		N2			
237B	24	PW	D04347J	40		27-32-11	D00823	13		N2	2		
237R	24	PW	D04347J	39		27-32-11	D00823	12		N2			
237Z			D04347J			27-32-11	D00823	DED		N2			
238	20	UA	D04349J			27-32-21	GDX0001	S..	2	N2	2		
238B	24	PW	D04349J	49		27-32-21	D01381	54		N2	2		
238R	24	PW	D04349J	48		27-32-21	D01381	23		N2			
238Z			D04349J			27-32-21	D01381	DED		N2			
239B	24	PW	D01381	20		27-32-21	D04349J	55		N2	2		
239R	24	PW	D01381	19		27-32-21	D04349J	54		N2			
239Z			D01381	DED		27-32-21	D04349J			N2			
240B	24	PL	D04347J	23		31-51-31	SM00080		W	N2	1		
240R	24	PL	D04347J	22		31-51-31	SM00042		W	N2			
241B	24	PL	D01487	60		31-51-31	SM00080		W	N2	1		
241R	24	PL	D01487	28		31-51-31	SM00042		W	N2			
242B	24	PL	D00817	60		31-51-32	SM00080		W	N2	1		
242R	24	PL	D00817	28		31-51-32	SM00042		W	N2			
243B	24	PW	D04349J	52		27-32-21	D01381	13		N2	2		
243R	24	PW	D04349J	51		27-32-21	D01381	12		N2			
243Z			D04349J			27-32-21	D01381	DED		N2			
245B	24	PW	D00823	20		27-32-11	D04347J	48		N2	2		

286T0045-0BE
Wire Bundle Assembly
Figure 143 (Sheet 11)

25-71-02

WIRE			FROM EQUIPMENT				TO EQUIPMENT				WIRE INFO			
NUMBER	GA	TYP	NUMBER	TERM	TT	WDM REF	NUMBER	TERM	TT	EMC/SEP	FT	NOTE	EFFECTIVITY	
245R	24	PW	D00823	19		27-32-11	D04347J	47		N2				
245Z			D00823	DED		27-32-11	D04347J			N2				
247	20	UA	D04349J			31-41-35	GDX0006	S..	2	N2	2			
247B	24	PW	D02261	42		31-41-35	D04349J	57		N2	2			
247R	24	PW	D02261	43		31-41-35	D04349J	56		N2				
247Z			D02261	DED		31-41-35	D04349J			N2				
248	20	UA	D04349J			28-41-11	GDX0006	S..	2	N2	2			
248B	24	PW	D02261	5		28-41-11	D04349J	60		N2	2			
248R	24	PW	D02261	8		28-41-11	D04349J	59		N2				
248Z			D02261	DED		28-41-11	D04349J			N2				
271B	24	PL	D04597J	5		31-51-31	SM00088		W	N2	1			
271R	24	PL	D04597J	2		31-51-31	SM00087		W	N2	1			
272B	24	PL	D01487	63		31-51-31	SM00088		W	N2	1			
272R	24	PL	D01487	62		31-51-31	SM00087		W	N2	1			
273B	24	PL	D00817	63		31-51-32	SM00088		W	N2	1			
273R	24	PL	D00817	62		31-51-32	SM00087		W	N2	1			
290B	24	PW	D04597J	8		34-43-15	SM00104		W	N2	1			
290R	24	PW	D04597J	7		34-43-15	SM00103		W	N2				
290Z			D04597J	9		34-43-15	SM00103	REF		N2	1			
291B	24	PW	D04303J	4		34-43-15	SM00104		W	N2				
291R	24	PW	D04303J	3		34-43-15	SM00103		W	N2				
291Z			D04303J	5		34-43-15	SM00103	REF		N2				
292B	24	PW	D04347J	53		34-43-15	SM00104		W	N2	1			
292R	24	PW	D04347J	51		34-43-15	SM00103		W	N2				
292Z			D04347J	61		34-43-15	SM00103	REF		N2				
294	24	PK	D00823	41		27-32-12	SM00082		W	N2	1			
296	24	PK	D01381	41		27-32-22	SM00085		W	N2	1			
301	20	UA	SM00028	REF		31-51-11	GDX0005	S..	2	N2	1			
301B	22	PS	D00811	57		31-51-11	SM00028		W	N2	2			
301R	22	PS	D00811	38		31-51-11	SM00028		W	N2				
301Y	22	PS	D00811	58		31-51-11	SM00028		W	N2				

286T0045-OBE
Wire Bundle Assembly
Figure 143 (Sheet 12)

25-71-02



BOEING
COMPONENT
MAINTENANCE MANUAL

WIRE			FROM EQUIPMENT			TO EQUIPMENT			WIRE INFO				
NUMBER	GA	TYP	NUMBER	TERM	TT	WDM REF	NUMBER	TERM	TT	EMC/SEP	FT	NOTE	EFFECTIVITY
301Z			D00811	DED		31-51-11	SM00028	REF		N2			
302B	22	PS	D00811	42		31-51-11	SM00029		W	N2	2		
302R	22	PS	D00811	41		31-51-11	SM00029		W	N2			
302Y	22	PS	D00811	43		31-51-11	SM00029		W	N2			
302Z			D00811	DED		31-51-11	SM00028	REF		N2			
303B	22	PS	D00811	8		31-51-11	SM00026		W	N2	2		
303R	22	PS	D00811	7		31-51-11	SM00026		W	N2			
303Y	22	PS	D00811	9		31-51-11	SM00026		W	N2			
303Z			D00811	DED		31-51-11	SM00028	REF		N2			
304B	22	PS	D00811	25		31-51-11	SM00027		W	N2	2		
304R	22	PS	D00811	24		31-51-11	SM00027		W	N2			
304Y	22	PS	D00811	37		31-51-11	SM00027		W	N2			
304Z			D00811	DED		31-51-11	SM00028	REF		N2			
305	20	UA	SM00030	REF		31-51-12	GDX0005	S..	2	N2	1		
305B	22	PS	D00813	8		31-51-12	SM00030		W	N2	2		
305R	22	PS	D00813	7		31-51-12	SM00030		W	N2			
305Y	22	PS	D00813	9		31-51-12	SM00030		W	N2			
305Z			D00813	DED		31-51-12	SM00030	REF		N2			
306B	22	PS	D00813	25		31-51-12	SM00031		W	N2	2		
306R	22	PS	D00813	24		31-51-12	SM00031		W	N2			
306Y	22	PS	D00813	37		31-51-12	SM00031		W	N2			
306Z			D00813	DED		31-51-12	SM00030	REF		N2			
307B	22	PS	D00813	57		31-51-12	SM00032		W	N2	2		
307R	22	PS	D00813	38		31-51-12	SM00032		W	N2			
307Y	22	PS	D00813	58		31-51-12	SM00032		W	N2			
307Z			D00813	DED		31-51-12	SM00030	REF		N2			
308B	22	PS	D00813	42		31-51-12	SM00033		W	N2	2		
308R	22	PS	D00813	41		31-51-12	SM00033		W	N2			
308Y	22	PS	D00813	43		31-51-12	SM00033		W	N2			
308Z			D00813	DED		31-51-12	SM00030	REF		N2			
51Z	24	PK	D02261	20		27-81-31	D04349J	8		N2	2		

286T0045-0BE
Wire Bundle Assembly
Figure 143 (Sheet 13)

25-71-02

WIRE			FROM EQUIPMENT				TO EQUIPMENT				WIRE INFO			
NUMBER	GA	TYP	NUMBER	TERM	TT	WDM REF	NUMBER	TERM	TT	EMC/SEP	FT	NOTE	EFFECTIVITY	
601	20	PA	SM00060		W	31-51-11	GDX0004	D..	2	N2				
602	20	PA	SM00061		W	31-51-12	GDX0005	D..	2	N2				
603	24	PV	D04301J	5		31-51-12	M01103	INE	D	N2	1			
603Z			D04301J	DED		31-51-12	M01103			N2	3			
604	24	PV	D04301J	4		31-51-12	D00813	4		N2				
604Z			D04301J	DED		31-51-12	D00813			N2	3			
605	24	PV	D00813	1		31-51-12	M01103	OAD	D	N2				
605Z			D00813			31-51-12	M01103	DED		N2	3			
606	24	PV	D04349J	32		31-51-11	M01102	INE	D	N2	1			
606Z			D04349J	DED		31-51-11	M01102			N2	3			
607	24	PV	D04349J	33		31-51-11	D00811	4		N2				
607Z			D04349J	DED		31-51-11	D00811			N2	3			
608	24	PV	D00811	1		31-51-11	M01102	OAD	D	N2				
608Z			D00811			31-51-11	M01102	DED		N2	3			
610	24	PK	D00823	37		27-32-11	SM00050		W	N2	1			
611	24	PK	D01433	6		31-51-42	D04347J	20		N2	2			
612	24	PK	D01433	4		31-51-42	SM00050		W	N2	1			
613	24	PK	D04349J	30		31-51-31	SM00065		W	N2	1			
614	24	PK	D01487	52		31-51-31	SM00065		W	N2	1			
615	24	PK	D00817	52		31-51-32	SM00065		W	N2	1			
617	24	PK	D01381	11		27-32-12	D00823	56		N2	1			
618	24	PK	D01381	56		27-32-12	D00823	11		N2	1			
619	24	PK	D00823	45		27-32-12	SM00082		W	N2	1			
620	24	PK	D04349J	29		31-51-21	SM00071		W	N2	1			
621	24	PK	D00815	7		31-51-21	SM00071		W	N2	1			
622	24	PK	D01489	2		31-51-33	SM00071		W	N2	1			
623	24	PK	D01489	36		31-51-33	SM00038		W	N2	1			
624	24	PK	D00815	8		31-51-21	SM00045		W	N2	1			
625	24	PK	D01487	9		31-51-31	SM00034		W	N2	1			
631	24	PK	D00817	9		31-51-32	SM00034		W	N2	1			
644	22	PQ	D00823	66		27-32-31	D04347J	42		N2	2			

286T0045-OBE
Wire Bundle Assembly
Figure 143 (Sheet 14)

25-71-02



BOEING
COMPONENT
MAINTENANCE MANUAL

WIRE			FROM EQUIPMENT			TO EQUIPMENT			WIRE INFO				
NUMBER	GA	TYP	NUMBER	TERM	TT	WDM REF	NUMBER	TERM	TT	EMC/SEP	FT	NOTE	EFFECTIVITY
644Z			D00823	DED		27-32-31	D04347J	DED		N2			
646	22	FQ	D01381	66		27-32-31	D04349J	42		N2	2		
646Z			D01381	DED		27-32-31	D04349J	DED		N2			
648	24	PK	D04347J	32		34-16-11	D00821	40		N2	2		
649	24	PK	D04347J	33		34-16-11	SM00038		W	N2	1		
652	24	PV	SM00068		W	31-51-11	D00811	26		N2	2		
652Z			SM00068			31-51-11	D00811	DED		N2			
653	24	PV	SM00069		W	31-51-11	D00811	49		N2	2		
653Z			SM00069			31-51-11	D00811	DED		N2			
654	24	PV	SM00068		W	31-51-11	D01739	27		N2	1		
654Z			SM00068			31-51-11	D01739	DED		N2			
655	24	PV	SM00069		W	31-51-11	D01739	32		N2	1		
655Z			SM00069			31-51-11	D01739	DED		N2			
656	24	PK	SM00022		W	31-51-11	D01739	10		N2	1		
657	22	PA	D01739	14		31-51-11	GDX0006	D..	2	N2	2		
658	24	PV	D00811	62		31-51-11	D01741	27		N2	3		
658Z			D00811	DED		31-51-11	D01741			N2			
659	24	PV	D00811	76		31-51-11	D01741	32		N2	3		
659Z			D00811	DED		31-51-11	D01741			N2			
660	20	PA	D01741			31-51-11	GDX0006	S..	2	N2	1		
661	24	PK	D01741	10		31-51-11	D00811	66		N2	3		
662	22	PA	D01741	14		31-51-11	GDX0006	D..	2	N2	1		
663	24	PV	SM00073		W	31-51-12	D00813	26		N2	2		
663Z			SM00073			31-51-12	D00813	DED		N2			
664	24	PV	SM00074		W	31-51-12	D00813	49		N2	2		
664Z			SM00074			31-51-12	D00813	DED		N2			
665	24	PV	SM00073		W	31-51-12	D01739	30		N2	1		
665Z			SM00073			31-51-12	D01739	DED		N2			
666	24	PV	SM00074		W	31-51-12	D01739	33		N2	1		
666Z			SM00074			31-51-12	D01739	DED		N2			
667	24	PK	SM00025		W	31-51-12	D01739	9		N2	1		

286T0045-0BE
Wire Bundle Assembly
Figure 143 (Sheet 15)

25-71-02

TESTING & TROUBLE SHOOTING
01

Page 1961
Nov 01/02

WIRE			FROM EQUIPMENT			TO EQUIPMENT			WIRE INFO				
NUMBER	GA	TYP	NUMBER	TERM	TT	WDM REF	NUMBER	TERM	TT	EMC/SEP	FT	NOTE	EFFECTIVITY
668	22	PA	D01739	15		31-51-12	GDX0006	D..	2	N2	2		
669	24	PV	D00813	62		31-51-12	D01741	30		N2	2		
669Z			D00813	DED		31-51-12	D01741			N2			
670	24	PV	D00813	76		31-51-12	D01741	33		N2	2		
670Z			D00813	DED		31-51-12	D01741			N2			
671	20	PA	D01741			31-51-12	GDX0006	S..	2	N2	1		
672	24	PK	D01741	9		31-51-12	D00813	66		N2	2		
673	22	PA	D01741	15		31-51-12	GDX0006	D..	2	N2	1		
674	24	PK	D01487	53		31-51-31	D01739	24		N2	2		
675	24	PK	D00817	53		31-51-32	D01741	24		N2	2		
676	24	PK	D01739	1		31-51-35	SM00036		W	N2	1		
677	24	PK	D01739	3		31-51-35	SM00035		W	N2	1		
679	24	PK	D01741	1		31-51-36	SM00036		W	N2	1		
680	24	PK	D01741	3		31-51-36	SM00035		W	N2	1		
681	24	PK	D01433	10		31-51-43	D04507J	10		N2	2		
682	24	PK	D01433	13		31-51-43	D04347J	46		N2	2		
683	22	PA	D01433	41		31-51-43	SM00081		W	N2	1		
684	20	PA	GDX0001	D..	2	31-51-43	D04349J	47		N2	2		
685	24	PK	D00823	58		27-32-12	D01505	A1		N2	2		
686	24	PK	D00823	8		27-32-11	SM00038		W	N2	1		
687	24	PK	D00823	64		27-32-11	SM00081		W	N2	1		
688	24	PK	D01381	58		27-32-22	D01503	A1		N2	2		
689	24	PK	D01381	45		27-32-22	SM00085		W	N2	1		
692	24	PK	D01381	8		27-32-21	SM00038		W	N2	1		
693	24	PK	D04347J	30		31-51-21	D00815	6		N2	2		
694	22	PA	D04349J	46		31-51-43	SM00081		W	N2	1		
696	20	PA	GDX0003	D..	2	27-32-12	SM00082		W	N2	1		
697	20	PA	GDX0003	D..	2	27-32-22	SM00085		W	N2	1		
701	24	PK	D00815	49		31-51-21	D00815	22		N2	2		
702	24	PK	D00815	16		31-51-21	D00815	48		N2	2		
703	24	PK	D00819	6		31-51-41	SM00019		W	N2	1		

286T0045-OBE
Wire Bundle Assembly
Figure 143 (Sheet 16)

25-71-02



BOEING
COMPONENT
MAINTENANCE MANUAL

WIRE		FROM EQUIPMENT			TO EQUIPMENT			WIRE INFO					
NUMBER	GA	TYP	NUMBER	TERM	TT	WDM REF	NUMBER	TERM	TT	EMC/SEP	FT	NOTE	EFFECTIVITY
704	24	PK	SM00075		W	31-51-41	D04511J	14		N2	1		
705	24	PK	D00819	45		31-51-41	D04511J	12		N2	2		
706	24	PK	D00819	10		31-51-41	D04349J	31		N2	2		
707	24	PK	D00819	21		31-51-41	D04509J	4		N2	2		
708	24	PK	D00819	9		31-51-41	D04349J	7		N2	2		
709	24	PK	D00819	39		31-51-41	SM00044		W	N2	1		
710	24	PK	D00819	43		31-51-41	SM00037		W	N2	1		
711	24	PK	D00819	12		31-51-41	D04349J	21		N2	2		
712	24	PK	D00819	53		31-51-41	D04349J	3		N2	2		
713	24	PK	D00819	20		31-51-41	D04347J	9		N2	2		
714	24	PK	D00819	44		31-51-41	D04349J	24		N2	2		
715	24	PK	D04507J	6		31-51-42	SM00019		W	N2	1		
716	24	PK	D01433	34		31-51-42	SM00019		W	N2	1		
717	24	PK	D01433	37		31-51-42	SM00034		W	N2	1		
718	24	PK	D01433	39		31-51-42	D04509J	2		N2	2		
720	24	PK	D01433	52		31-51-42	SM00040		W	N2	1		
721	24	PK	D01433	38		31-51-42	D04347J	24		N2	2		
722	24	PK	D01433	5		31-51-42	D04349J	22		N2	2		
723	24	PK	D04511J	11		31-51-42	SM00038		W	N2	1		
724	24	PK	D01433	40		31-51-42	SM00038		W	N2	1		
725	24	PK	D01433	3		31-51-42	D04347J	13		N2	2		
726	22	PA	D04347J	14		31-51-21	SM00036		W	N2	1		
727	22	PA	D04301J	11		31-51-21	SM00035		W	N2	1		
728	24	PK	D04347J	1		31-51-41	D00819	35		N2	2		
729	24	PK	D04347J	2		31-51-41	D00819	1		N2	2		
730	24	PK	D04347J	3		31-51-41	D00819	36		N2	2		
731	24	PK	D04347J	4		31-51-41	D00819	2		N2	2		
732	24	PK	D04347J	5		31-51-42	D01433	20		N2	2		
733	24	PK	D04347J	16		34-16-11	D00821	65		N2	2		
734	24	PK	D04347J	8		31-51-31	SM00046		W	N2	1		
735	24	PK	D04507J	7		34-16-11	D00821	34		N2	2		

286T0045-0BE
Wire Bundle Assembly
Figure 143 (Sheet 17)

25-71-02

WIRE			FROM EQUIPMENT				TO EQUIPMENT				WIRE INFO			
NUMBER	GA	TYP	NUMBER	TERM	TT	WDM REF	NUMBER	TERM	TT	EMC/SEP	FT	NOTE	EFFECTIVITY	
736	24	PK	D04507J	2		34-16-11	D00821	66		N2	2			
737	24	PK	SM00041		W	34-16-11	D00821	31		N2	1			
738	24	PK	D04347J	19		34-16-11	D00821	7		N2	2			
739	24	PK	SM00075		W	34-16-11	D00821	6		N2	1			
741	24	PK	D00821	18		34-16-11	D00821	22		N2				
742	24	PK	D00821	50		34-16-11	D00821	48		N2				
746	24	PK	D04597J	10		31-51-31	SM00043		W	N2	1			
747	24	PK	D01487	46		31-51-31	SM00043		W	N2	1			
748	24	PK	D04347J	7		31-51-31	SM00045		W	N2	1			
749	24	PK	D01487	10		31-51-31	SM00045		W	N2	1			
750	24	PK	D01487	19		31-51-31	SM00046		W	N2	1			
751	24	PK	D01487	13		31-51-31	SM00040		W	N2	1			
752	24	PK	D01487	47		31-51-31	SM00044		W	N2	1			
753	24	PK	D01487	51		31-51-31	SM00041		W	N2	1			
757	24	PK	D01739	11		31-51-35	SM00039		W	N2	1			
758	24	PK	D01487	22		31-51-31	D01489	23		N2	2			
759	24	PK	D01487	55		31-51-31	D01489	47		N2	2			
760	24	PK	D01487	34		31-51-31	D01489	51		N2	2			
761	24	PK	D01487	66		31-51-31	D01489	57		N2	2			
762	24	PK	D00817	10		31-51-32	SM00045		W	N2	1			
763	24	PK	D00817	46		31-51-32	SM00043		W	N2	1			
766	24	PV	D01741	11		31-51-36	SM00053		W	N2	1			
766Z			D01741	DED		31-51-36	SM00053	DED		N2				
767	24	PK	D00817	19		31-51-32	SM00046		W	N2	1			
768	24	PK	D00817	13		31-51-32	SM00040		W	N2	1			
769	24	PK	D00817	47		31-51-32	SM00044		W	N2	1			
770	24	PK	D00817	51		31-51-32	SM00041		W	N2	1			
772	24	PK	D00817	22		31-51-32	D01489	54		N2	2			
773	24	PK	D00817	55		31-51-32	D01489	13		N2	2			
774	24	PK	D00817	34		31-51-32	D01489	25		N2	2			
775	24	PK	D00817	66		31-51-32	D01489	58		N2	2			

286T0045-OBE
Wire Bundle Assembly
Figure 143 (Sheet 18)

25-71-02



BOEING
COMPONENT
MAINTENANCE MANUAL

WIRE			FROM EQUIPMENT			TO EQUIPMENT			WIRE INFO				
NUMBER	GA	TYP	NUMBER	TERM	TT	WDM REF	NUMBER	TERM	TT	EMC/SEP	FT	NOTE	EFFECTIVITY
776	24	PK	D01489	42		31-51-33	D04347J	15		N2	2		
777	24	PK	D01489	8		31-51-33	D04349J	13		N2	2		
779	24	PK	D01489	35		31-51-33	D04349J	40		N2	2		
780	24	PK	D01489	53		31-51-33	D04349J	2		N2	2		
781	24	PK	D01489	31		31-51-33	D01489	48		N2	2		
782	24	PK	D01489	18		31-51-33	D01489	22		N2	2		
783	24	PK	D01489	38		31-51-33	SM00008		W	N2	1		
784	24	PK	D01489	4		31-51-33	SM00011		W	N2	1		
785	24	PK	D01489	37		31-51-33	SM00012		W	N2	1		
786	24	PK	D01489	3		31-51-33	SM00010		W	N2	1		
787	24	PK	D01489	1		31-51-33	SM00009		W	N2	1		
788	24	PK	D01489	6		31-51-33	SM00034		W	N2	1		
789	24	PK	D01489	41		31-51-33	D04509J	11		N2	2		
791	24	PK	D01489	7		31-51-33	D04509J	10		N2	2		
792	24	PK	D01489	40		31-51-33	D04509J	9		N2	2		
793	24	PK	D00819	11		31-51-41	SM00075		W	N2	1		
794	20	PA	D04303J	10		31-51-32	GDX0004	S..	2	N2	2		
795	24	PK	D01433	9		31-51-42	D01433	48		N2	2		
796	24	PK	D01433	22		31-51-42	D01433	50		N2	2		
797	24	PV	D00815	41		31-51-21	SM00053		W	N2	1		
797Z			D00815	DED		31-51-21	SM00053	DED		N2	2		
798	24	PV	D04349J	9		31-51-21	SM00053		W	N2	1		
798Z			D04349J	DED		31-51-21	SM00053	DED		N2	2		
817	24	PK	D00823	55		27-32-12	D11553	6		N2	2		
818	24	PK	D00823	21		27-32-12	D11553	4		N2	2		
819	24	PK	D00823	51		27-32-12	D11553	3		N2	2		
820	24	PK	D00823	50		27-32-12	D11553	2		N2	2		
821	24	PK	D00823	49		27-32-12	D11553	7		N2	2		
822	24	PK	D00823	47		27-32-12	D11553	8		N2	2		
823	24	PK	D00823	46		27-32-12	D11553	9		N2	2		
824	24	PK	D00823	53		27-32-12	D11553	5		N2	2		

286T0045-0BE
Wire Bundle Assembly
Figure 143 (Sheet 19)

25-71-02

WIRE			FROM EQUIPMENT			TO EQUIPMENT			WIRE INFO				
NUMBER	GA	TYP	NUMBER	TERM	TT	WDM REF	NUMBER	TERM	TT	EMC/SEP	FT	NOTE	EFFECTIVITY
825	24	PK	D00823	62		27-32-12	D11553	24		N2	2		
826	24	PK	D01381	55		27-32-22	D11553	16		N2	2		
827	24	PK	D01381	21		27-32-22	D11553	14		N2	2		
828	24	PK	D01381	51		27-32-22	D11553	13		N2	2		
829	24	PK	D01381	50		27-32-22	D11553	12		N2	2		
830	24	PK	D01381	49		27-32-22	D11553	17		N2	2		
831	24	PK	D01381	47		27-32-22	D11553	18		N2	2		
832	24	PK	D01381	46		27-32-22	D11553	19		N2	2		
833	24	PK	D01381	53		27-32-22	D11553	15		N2	2		
834	24	PK	D01381	62		27-32-22	D11553	34		N2	2		
835	24	PK	D04349J	50		27-32-21	D01381	64	2	N2	2		
836	20	PA	D04349J	53		27-32-21	GDX0002	S..	2	N2	2		
837	24	PK	D00823	42		27-32-12	SM00082		W	N2	1		
838	24	PK	D01381	42		27-32-22	SM00085		W	N2	1		
842	24	PK	D01381	6		27-32-22	SM00085		W	N2	1		
843	24	PK	D00823	6		27-32-12	SM00082		W	N2	1		
862	22	PA	D02261	30		31-41-35	GDX0006	S..	2	N2	1		
863	22	PA	D02261	32		31-41-35	GDX0006	S..	2	N2	1		
864	22	PA	D02261	33		31-41-35	GDX0006	S..	2	N2	1		
865	22	PA	D02261	64		31-41-35	GDX0006	S..	2	N2	1		
866	24	PV	D02261	27		31-51-11	SM00018		W	N2	1		
866Z			D02261	DED		31-51-11	SM00018	REF		N2			
867	24	PV	D02261	28		31-51-11	SM00047		W	N2	1		
867Z			D02261	DED		31-51-11	SM00047	REF		N2			
868	24	PV	D02261	29		31-51-12	SM00054		W	N2	1		
868Z			D02261	DED		31-51-12	SM00054	REF		N2			
869	24	PK	D02261	34		31-51-12	SM00025		W	N2	1		
870	22	PA	D02261	56		31-51-12	GDX0001	S..	2	N2	2		
871	22	PA	D02261	57		31-51-12	GDX0003	S..	2	N2	2		
872	22	PA	D02261	59		31-51-11	GDX0005	S..	2	N2	1		
873	24	PV	D02261	60		31-51-12	SM00055		W	N2	1		

286T0045-OBE
Wire Bundle Assembly
Figure 143 (Sheet 20)

25-71-02



BOEING
COMPONENT
MAINTENANCE MANUAL

WIRE			FROM EQUIPMENT			TO EQUIPMENT			WIRE INFO				
NUMBER	GA	TYP	NUMBER	TERM	TT	WDM REF	NUMBER	TERM	TT	EMC/SEP	FT	NOTE	EFFECTIVITY
873Z			D02261	DED		31-51-12	SM00055	REF		N2			
874	24	PV	D02261	62		31-51-11	SM00049	REF	W	N2	1		
874Z			D02261	DED		31-51-11	SM00049	REF		N2			
875	24	PV	D02261	63		31-51-12	SM00056	REF	W	N2	1		
875Z			D02261	DED		31-51-12	SM00056	REF		N2			
876	24	PK	D02261	65		31-51-11	SM00022		W	N2	1		
877	24	PV	D00811	14		31-51-11	SM00018		W	N2	2		
877Z			D00811	DED		31-51-11	SM00018	REF		N2			
878	24	PV	D00811	48		31-51-11	SM00047	REF	W	N2	2		
878Z			D00811	DED		31-51-11	SM00047	REF		N2			
879	24	PV	D00811	23		31-51-11	SM00049	REF	W	N2	2		
879Z			D00811	DED		31-51-11	SM00049	REF		N2			
880	24	PV	D00813	14		31-51-12	SM00054		W	N2	2		
880Z			D00813	DED		31-51-12	SM00054	REF		N2			
881	24	PV	D00813	48		31-51-12	SM00055		W	N2	2		
881Z			D00813	DED		31-51-12	SM00055	REF		N2			
882	24	PV	D00813	23		31-51-12	SM00056		W	N2	2		
882Z			D00813	DED		31-51-12	SM00056	REF		N2			
883	22	PA	D02261	15		38-32-11	D04349J	26		N2	2		
884	22	PA	D02261	47		38-32-11	D04347J	27		N2	2		
885	24	PK	D04303J	9		31-51-21	SM00057		W	N2	1		
886	24	PK	D04507J	3		31-51-21	SM00058		W	N2	1		
887	24	PK	D04507J	1		31-51-21	SM00058		W	N2	1		
888	24	PK	SM00057		W	31-51-21	D04349J	44		N2	1		

286T0045-0BE
Wire Bundle Assembly
Figure 143 (Sheet 21)

25-71-02

TESTING & TROUBLE SHOOTING
01 Page 1960
Nov 01/02

WIRE			FROM EQUIPMENT				TO EQUIPMENT				WIRE INFO			
NUMBER	GA	TYP	NUMBER	TERM	TT	WDM REF	NUMBER	TERM	TT	EMC/SEP	FT	NOTE	EFFECTIVITY	
1	22	SE	M01103			31-51-12	M01103	GND	D	N2				
2	22	PA	D00813			31-51-12	D00813	59		N2				
3	24	PV	M01102			31-51-11	M01102	GND	D	N2				
003Z	24	PV	D00811			31-51-11	D00811	59		N2				
4	24	PV	D04349J	58		31-41-35	D04349J			N2				
004Z	24	PV	D04349J	61		28-41-11	D04349J			N2				
5	24	PV	D00815	47		99-99-99	D00815	63		N2				
005Z	24	PV	D00817	8		99-99-99	D00817	57		N2		DAW-B2		
6	24	PK	D00819	41		99-99-99	D00819	55		N2		DAW-B2		
7	24	PK	D00821	43		99-99-99	D00821	60		N2		DAW-B2		
8	24	PK	D00823	52		99-99-99	D00823	65		N2		DAW-B2		
9	24	PV	D01433	44		99-99-99	D01433	61		N2		DAW-B2		
			D01381	52		99-99-99	D01381	65		N2		DAW-B2		
			D01487	8		99-99-99	D01487	57		N2		DAW-B2		
			D01489	56		99-99-99	D01489	65		N2		DAW-B2		
			D01739	7		99-99-99	D01739	62		N2		DAW-B2		
			D01741	7		99-99-99	D01741	62		N2		DAW-B2		
			D02261	54		99-99-99	D02261	61		N2		DAW-B2		
			D11553							N2				
			D00811	60		31-51-11	GDX0001	S..	2	N2	3			
			D00821	14		31-51-11	GDX0002	D..	2	N2	2			
			SM00068		W	31-51-11	D00821	27		N2	1			
			SM00068	REF		31-51-11	D00821			N2				
			SM00069		W	31-51-11	D00821	32		N2	1			
			SM00069	REF		31-51-11	D00821			N2				
			D00811	35		31-51-11	D00821	17		N2	3			
			D00811	DED		31-51-11	D00821			N2				
			SM00022		W	31-51-11	D00821	51		N2	1			
			D00811	65		31-51-11	SM00022		W	N2	2			
			D00819	37		31-51-11	SM00022		W	N2	1			
			D00819	27		31-51-11	D00811	13		N2	3			

286T0045-0BF
Wire Bundle Assembly
Figure 144 (Sheet 1)

25-71-02



BOEING
COMPONENT
MAINTENANCE MANUAL

WIRE		FROM EQUIPMENT			TO EQUIPMENT			WIRE INFO					
NUMBER	GA	TYP	NUMBER	TERM	TT	WDM REF	NUMBER	TERM	TT	EMC/SEP	FT	NOTE	EFFECTIVITY
009Z			D00811	DED		31-51-11	D00819			N2			
10	22	PA	D00819	14		31-51-11	GDX0001	D..	2	N2	2		
11	24	PK	D01433	51		31-51-11	SM00022		W	N2	1		
12	24	PV	SM00018		W	31-51-11	D01433	27		N2	1		
012Z			SM00018	REF		31-51-11	D01433			N2			
13	24	PV	SM00047		W	31-51-11	D01433	32		N2	1		
013Z			SM00047	REF		31-51-11	D01433			N2			
14	24	PV	SM00049		W	31-51-11	D01433	17		N2	1		
014Z			SM00049	REF		31-51-11	D01433			N2			
15	22	PA	D01433	14		31-51-11	GDX0001	D..	2	N2	2		
16	20	PA	SM00028		W	31-51-11	GDX0005	D..	2	N2	2		
17	20	UA	GDX0002	S..	2	31-51-11	D00821			N2	2		
18	20	UA	GDX0005	S..	2	31-51-11	D00819			N2	2		
19	20	UA	D01433		2	31-51-11	GDX0002	S..	2	N2	2		
20	20	PA	GDX0005	D..	2	31-51-11	SM00029		W	N2	2		
21	20	UA	GDX0002	S..	2	31-51-11	D01503			N2	2		
23	20	UA	D00815			31-51-11	GDX0002	S..	2	N2	2		
24	24	PK	D04349J	38		31-51-11	SM00005		W	N2	1		
25	24	PK	D01503	A2		31-51-11	SM00005		W	N2	1		
26	20	PA	D01503	A3		31-51-11	GDX0003	D..	2	N2	2		
27	22	PQ	D01503	X2		31-51-11	D00811	75		N2	4		
027Z			D00811	DED		31-51-11	D01503			N2			
28	24	PV	D01503	X1		31-51-11	SM00015		W	N2	1		
028Z			SM00015	REF		31-51-11	D01503			N2	2		
29	24	PV	D00811	46		31-51-11	SM00015		W	N2	2		
029Z			SM00015	REF		31-51-11	D00811	DED		N2			
30	24	PK	SM00015		W	31-51-11	D11553	35		N2	1		
32	20	PA	D11553	11		31-51-11	GDX0003	D..	2	N2	2		
33	24	PK	D11553	37		31-51-11	D00811	34		N2	4		
34	24	PK	D11553	36		31-51-11	D00811	33		N2	4		
35	22	PA	D00815	14		31-51-11	GDX0001	D..	2	N2	2		

286T0045-0BF
Wire Bundle Assembly
Figure 144 (Sheet 2)

25-71-02

TESTING & TROUBLE SHOOTING

01

Page 196Q

Nov 01/02

WIRE			FROM EQUIPMENT			TO EQUIPMENT			WIRE INFO				
NUMBER	GA	TYP	NUMBER	TERM	TT	WDM REF	NUMBER	TERM	TT	EMC/SEP	FT	NOTE	EFFECTIVITY
36	24	PV	D00815	27		31-51-11	D00811	12		N2	3		
036Z			D00811	DED		31-51-11	D00815			N2			
37	24	PV	D00815	32		31-51-11	D00811	17		N2	3		
037Z			D00811	DED		31-51-11	D00815			N2			
38	24	PV	D00815	17		31-51-11	D00811	22		N2	3		
038Z			D00811	DED		31-51-11	D00815			N2			
39	24	PK	D00815	54		31-51-11	SM00020		W	N2	1		
40	24	PK	D00811	63		31-51-11	SM00020		W	N2	2		
41	24	PK	D00823	35		31-51-11	SM00020		W	N2	1		
42	24	PK	D01381	35		31-51-11	SM00020		W	N2	1		
45	22	PA	D01381	14		31-51-11	GDX0001	D..	2	N2	2		
46	22	PA	D01381	48		31-51-11	GDX0004	D..	2	N2	2		
47	24	PV	D01381	27		31-51-11	D00811	11		N2	3		
047Z			D00811	DED		31-51-11	D01381			N2			
48	24	PV	D01381	32		31-51-11	D00811	16		N2	3		
048Z			D00811	DED		31-51-11	D01381			N2			
49	24	PV	D01381	17		31-51-11	D00811	21		N2	3		
049Z			D00811	DED		31-51-11	D01381			N2			
52	22	PA	D00823	14		31-51-11	GDX0001	D..	2	N2	2		
53	22	PA	D00823	48		31-51-11	GDX0003	D..	2	N2	2		
54	24	PV	D00823	27		31-51-11	D00811	10		N2	3		
054Z			D00811	DED		31-51-11	D00823			N2			
55	24	PV	D00823	32		31-51-11	D00811	15		N2	3		
055Z			D00811	DED		31-51-11	D00823			N2			
56	24	PV	D00823	17		31-51-11	D00811	20		N2	3		
056Z			D00811	DED		31-51-11	D00823			N2			
57	22	PA	D00817	14		31-51-11	GDX0002	D..	2	N2	2		
58	24	PV	D00817	27		31-51-11	D00811	51		N2	3		
058Z			D00811	DED		31-51-11	D00817			N2			
59	24	PV	D00817	32		31-51-11	D00811	74		N2	3		
059Z			D00811	DED		31-51-11	D00817			N2			

286T0045-0BF
Wire Bundle Assembly
Figure 144 (Sheet 3)

25-71-02



BOEING
COMPONENT
MAINTENANCE MANUAL

WIRE			FROM EQUIPMENT			TO EQUIPMENT			WIRE INFO				
NUMBER	GA	TYP	NUMBER	TERM	TT	WDM REF	NUMBER	TERM	TT	EMC/SEP	FT	NOTE	EFFECTIVITY
60	24	PK	D00817	45		31-51-11	SM00021		W	N2	1		
61	24	PK	D00811	64		31-51-11	SM00021		W	N2	2		
62	24	PK	D01489	16		31-51-11	SM00021		W	N2	1		
63	24	PK	D01487	45		31-51-11	SM00021		W	N2	1		
64	24	PV	D01487	27		31-51-11	D00811	47		N2	3		
064Z			D00811	DED		31-51-11	D01487			N2			
65	24	PV	D01487	32		31-51-11	D00811	70		N2	3		
065Z			D00811	DED		31-51-11	D01487		2	N2			
66	22	PA	D01487	14		31-51-11	GDX0003	D..		N2	2		
67	24	PV	D01489	27		31-51-11	D00811	45		N2	3		
067Z			D00811	DED		31-51-11	D01489			N2			
68	24	PV	D01489	32		31-51-11	D00811	50		N2	3		
068Z			D00811	DED		31-51-11	D01489			N2			
69	24	PV	D01489	17		31-51-11	D00811	36		N2	3		
069Z			D00811	DED		31-51-11	D01489			N2			
70	22	PA	D01489	14		31-51-11	GDX0003	D..	2	N2	2		
71	20	UA	D01381			31-51-11	GDX0002	S..	2	N2	2		
72	20	UA	D00823			31-51-11	GDX0002	S..	2	N2	2		
73	20	UA	D00817			31-51-11	GDX0002	S..	2	N2	2		
74	20	PA	SM00026		W	31-51-11	GDX0005	D..	2	N2	2		
75	20	UA	D01487			31-51-11	GDX0005	S..	2	N2	2		
76	20	UA	GDX0005	S..	2	31-51-11	D01489			N2	2		
77	24	PK	D02261	40		31-41-35	D04349J	1		N2	2		
78	20	PA	SM00027		W	31-51-11	GDX0005	D..	2	N2	2		
79	22	PA	D00813	60		31-51-12	GDX0003	S..	2	N2	3		
80	22	PA	D00821	15		31-51-12	GDX0002	D..	2	N2	2		UAE-F2
81	24	PV	D00821	30		31-51-12	SM00073	REF	W	N2	1		
081Z			D00821			31-51-12	SM00073			N2			
82	24	PV	D00821	33		31-51-12	SM00074	REF	W	N2	1		
082Z			D00821			31-51-12	SM00074			N2			
83	24	PV	D00821	24		31-51-12	D00813	35		N2	3		

286T0045-0BF
Wire Bundle Assembly
Figure 144 (Sheet 4)

25-71-02

WIRE			FROM EQUIPMENT			TO EQUIPMENT			WIRE INFO				
NUMBER	GA	TYP	NUMBER	TERM	TT	WDM REF	NUMBER	TERM	TT	EMC/SEP	FT	NOTE	EFFECTIVITY
083Z			D00813	DED		31-51-12	D00821			N2			
84	24	PK	D00821	19		31-51-12	SM00025		W	N2	1		
85	24	PK	D00813	65		31-51-12	SM00025		W	N2	2		
86	24	PK	D00819	3		31-51-12	SM00025		W	N2	1		
87	24	PK	D01433	18		31-51-12	SM00025		W	N2	1		
88	22	PA	D01433	15		31-51-12	GDX0002	D..	2	N2	2		
89	24	PV	D01433	30		31-51-12	SM00054		W	N2	1		
089Z			SM00054	REF		31-51-12	D01433		W	N2	1		
90	24	PV	D01433	33		31-51-12	SM00055		W	N2	1		
090Z			SM00055	REF		31-51-12	D01433		W	N2	1		
91	24	PV	D01433	24		31-51-12	SM00056		W	N2	1		
091Z			SM00056	REF		31-51-12	D01433		W	N2	1		
92	22	PA	D00819	15		31-51-12	GDX0002	D..	2	N2	2		
93	24	PV	D00819	30		31-51-12	D00813	13		N2	3		
093Z			D00813	DED		31-51-12	D00819			N2			
94	20	PA	SM00032		W	31-51-12	GDX0005	D..	2	N2			
95	24	PV	D01505	X2		31-51-12	D00813	75		N2	3		
095Z			D00813	DED		31-51-12	D01505			N2			
96	24	PV	D01505	X1		31-51-12	SM00016		W	N2	1		
096Z			SM00016	REF		31-51-12	D01505			N2			
97	24	PV	D00813	46		31-51-12	SM00016		W	N2	2		
097Z			SM00016	REF		31-51-12	D00813	DED		N2			
98	20	PA	SM00033		W	31-51-12	GDX0005	D..	2	N2			
99	24	PK	SM00016		W	31-51-12	D11553	25		N2	1		
10A	24	PK	D01489	21		31-51-33	D04349J	23		N2	2		
100	20	PA	D11553	1		31-51-12	GDX0003	D..	2	N2	2		
101	20	UA	D00821			31-51-12	GDX0004	S..	2	N2	2		
102	20	UA	D00819			31-51-12	GDX0004	S..	2	N2	2		
103	20	UA	D01433			31-51-12	GDX0004	S..	2	N2	2		
104	20	UA	D01505			31-51-12	GDX0005	S..	2	N2	2		
106	20	UA	D00815			31-51-12	GDX0004	S..	2	N2	2		

286T0045-0BF
Wire Bundle Assembly
Figure 144 (Sheet 5)

25-71-02



BOEING
COMPONENT
MAINTENANCE MANUAL

WIRE			FROM EQUIPMENT			TO EQUIPMENT			WIRE INFO				
NUMBER	GA	TYP	NUMBER	TERM	TT	WDM REF	NUMBER	TERM	TT	EMC/SEP	FT	NOTE	EFFECTIVITY
107	20	UA	D01381			31-51-12	GDX0004	S..	2	N2	2		
109	20	UA	D00817			31-51-12	GDX0004	S..	2	N2	2		
110	20	UA	D01487			31-51-12	GDX0001	S..	2	N2	2		
111	20	UA	D01489			31-51-12	GDX0001	S..	2	N2	2		
112	22	PA	D00815	15		31-51-12	GDX0001	D..	2	N2	2		
113	24	PK	D01505	A2		31-51-12	SM00005		W	N2	1		
114	20	PA	D01505	A3		31-51-12	GDX0003	D..	2	N2	2		
115	24	PK	D02261	21		21-61-51	D04347J	25		N2	2		
116	24	PK	D00815	21		31-51-12	SM00023		W	N2	1		
117	24	PK	D00813	63		31-51-12	SM00023		W	N2	2		
118	24	PK	D00823	1		31-51-12	SM00023		W	N2	1		
119	24	PK	D01381	1		31-51-12	SM00023		W	N2	1		
120	22	PA	D01381	15		31-51-12	GDX0001	D..	2	N2	2		
121	24	PK	D00817	56		31-51-12	SM00024		W	N2	1		
122	24	PK	D00813	64		31-51-12	SM00024		W	N2	2		
123	24	PK	D01487	56		31-51-12	SM00024		W	N2	1		
124	22	PA	D00823	15		31-51-12	GDX0001	D..	2	N2	2		
125	20	UA	D00823			31-51-12	GDX0004	S..	2	N2	2		
126	24	PV	D00823	33		31-51-12	D00813	15		N2	3		
126Z			D00823			31-51-12	D00813	DED		N2			
127	24	PV	D00823	24		31-51-12	D00813	20		N2	3		
127Z			D00823			31-51-12	D00813	DED		N2			
128	22	PA	D00817	15		31-51-12	GDX0002	D..	2	N2	2		
129	24	PV	D00817	30		31-51-12	D00813	51		N2	3		
129Z			D00817			31-51-12	D00813	DED		N2			
130	24	PV	D00817	33		31-51-12	D00813	74		N2	3		
130Z			D00817			31-51-12	D00813	DED		N2			
131	24	PV	D00813	11		31-51-12	D00813	DED		N2	3		
131Z			D01381			31-51-12	D01381	30		N2	3		
132	24	PV	D00813	16		31-51-12	D00813	DED		N2	3		
132Z			D01381			31-51-12	D01381	33		N2	3		
132Z			D01381			31-51-12	D00813	DED		N2			

286T0045-0BF
Wire Bundle Assembly
Figure 144 (Sheet 6)

25-71-02

WIRE			FROM EQUIPMENT			TO EQUIPMENT			WIRE INFO				
NUMBER	GA	TYP	NUMBER	TERM	TT	WDM REF	NUMBER	TERM	TT	EMC/SEP	FT	NOTE	EFFECTIVITY
133	24	PV	D01381	24		31-51-12	D00813	21		N2	3		
133Z			D01381			31-51-12	D00813	DED		N2			
134	24	PK	D01489	50		31-51-12	SM00024		W	N2	1		
135	24	PV	D01487	30		31-51-12	D00813	47		N2	3		
135Z			D01487			31-51-12	D00813	DED		N2			
136	24	PV	D01487	33		31-51-12	D00813	70		N2	3		
136Z			D01487			31-51-12	D00813	DED		N2			
137	22	PA	D01487	15		31-51-12	GDX0003	D..	2	N2	2		
138	24	PV	D01489	30		31-51-12	D00813	45		N2	3		
138Z			D01489			31-51-12	D00813	DED		N2			
139	24	PV	D01489	33		31-51-12	D00813	50		N2	3		
139Z			D01489			31-51-12	D00813	DED		N2			
140	24	PV	D01489	24		31-51-12	D00813	36		N2	3		
140Z			D01489			31-51-12	D00813	DED		N2			
141	22	PA	D01489	15		31-51-12	GDX0003	D..	2	N2	2		
142	24	PK	D00813	33		31-51-12	D11553	26		N2	3		
143	24	PK	D11553	27		31-51-12	D00813	34		N2	3		
144	24	PV	D00813	12		31-51-12	D00815	30		N2	3		
144Z			D00813	DED		31-51-12	D00815			N2			
145	20	PA	SM00030		W	31-51-12	GDX0005	D..	2	N2			
146	24	PV	D00813	17		31-51-12	D00815	33		N2	3		
146Z			D00813	DED		31-51-12	D00815			N2			
147	24	PV	D00813	22		31-51-12	D00815	24		N2	3		
147Z			D00813	DED		31-51-12	D00815			N2			
148	24	PV	D00813	10		31-51-12	D00823	30		N2	3		
148Z			D00813	DED		31-51-12	D00823			N2			
149	20	PA	SM00031		W	31-51-12	GDX0005	D..	2	N2			
150	22	PA	D04301J	6		27-32-11	D00823	34		N2	2		
151	24	PK	D04509J	1		27-32-11	D00823	39		N2	2		
152	24	PK	D04347J	26		27-32-11	D00823	40		N2	2		
153	24	PK	D00823	31		27-32-11	D04509J	6		N2	2		

286T0045-0BF
Wire Bundle Assembly
Figure 144 (Sheet 7)

25-71-02



BOEING
COMPONENT
MAINTENANCE MANUAL

WIRE			FROM EQUIPMENT			TO EQUIPMENT			WIRE INFO				
NUMBER	GA	TYP	NUMBER	TERM	TT	WDM REF	NUMBER	TERM	TT	EMC/SEP	FT	NOTE	EFFECTIVITY
154	20	PA	D04509J	7		27-32-11	GDX0001	D..	2	N2	2		
155	24	PK	SM00037		W	27-32-11	D04511J	3		N2	1		
156	24	PK	D00823	38		27-32-11	D04511J	2		N2	2		
157	24	PK	D04511J	4		27-32-11	SM00050		W	N2	1		
158	24	PK	SM00037		W	27-32-11	D00823	4		N2	1		
159	24	PK	D04349J	14		27-32-11	D00823	36		N2	1		
160	24	PK	D04349J	15		27-32-11	D00823	3		N2	1		
161	24	PK	D04349J	16		27-32-11	D00823	43		N2	1		
162	24	PK	D04349J	10		27-32-11	D00823	2		N2	1		
165	22	PA	D04349J	11		27-32-21	D01381	34		N2	2		
166	24	PK	D01381	40		27-32-21	D04349J	6		N2	2		
167	24	PK	D01381	31		27-32-21	D04511J	7		N2	2		
168	20	PA	GDX0002	D..	2	27-32-21	D04511J	8		N2	2		
169	24	PK	D04349J	34		27-32-21	D01381	36		N2	2		
170	24	PK	D04349J	35		27-32-21	D01381	3		N2	2		
171	24	PK	D04349J	36		27-32-21	D01381	43		N2	2		
172	24	PK	D04349J	37		27-32-21	D01381	2		N2	2		
173	24	PK	D04511J	13		27-32-21	D01381	4		N2	2		
174	24	PK	D04511J	16		27-32-21	D01381	37		N2	2		
175	24	PK	D04511J	15		27-32-21	D01381	38		N2	2		
176	24	PK	D04509J	8		27-32-21	D01381	39		N2	2		
177	24	PK	D00815	34		31-51-21	SM00057		W	N2	1		
178	24	PK	D00815	43		31-51-21	D01433	19		N2	2		
179	24	PK	D00815	10		31-51-21	D00819	5		N2	2		
180	24	PK	D04507J	5		31-51-21	SM00034		W	N2	1		
181	24	PK	SM00058		W	31-51-21	D00815	66		N2	1		
182	24	PK	D00815	4		31-51-21	SM00034		W	N2	1		
183	24	PK	D00815	11		31-51-21	D04349J	39		N2	2		
184	22	PA	D00815	37		31-51-21	SM00035		W	N2	1		
185	22	PA	D00815	42		31-51-21	SM00036		W	N2	1		
186	24	PK	D04349J	5		31-51-21	SM00012		W	N2	1		

286T0045-0BF
Wire Bundle Assembly
Figure 144 (Sheet 8)

25-71-02

WIRE			FROM EQUIPMENT				TO EQUIPMENT				WIRE INFO			
NUMBER	GA	TYP	NUMBER	TERM	TT	WDM REF	NUMBER	TERM	TT	EMC/SEP	FT	NOTE	EFFECTIVITY	
187	24	PK	D00815	2		31-51-21	SM00012		W	N2	1			
188	24	PK	SM00011		W	31-51-21	D04349J	4		N2	1			
189	24	PK	SM00011		W	31-51-21	D00815	35		N2	1			
190	24	PK	D04349J	12		31-51-21	SM00009		W	N2	1			
191	24	PK	D00815	44		31-51-21	SM00009		W	N2	1			
192	24	PK	D04347J	10		31-51-21	SM00008		W	N2	1			
193	24	PK	D00815	1		31-51-21	SM00008		W	N2	1			
194	24	PK	D04347J	11		31-51-21	SM00010		W	N2	1			
195	24	PK	D00815	36		31-51-21	SM00010		W	N2	1			
196	24	PK	SM00039		W	31-51-21	D04347J	21		N2	1			
197	24	PK	D00815	45		31-51-21	SM00039		W	N2	1			
198	24	PK	D00815	46		31-51-21	D04347J	6		N2	2			
199	20	PA	GDX0004	S..	2	31-51-31	D04597J	14		N2	2			
201B	24	PW	D01489	43		31-51-33	SM00004		W	N2	1			
201R	24	PW	D01489	9		31-51-33	SM00003		W	N2				
201Z			D01489	DED		31-51-33	SM00003	REF		N2				
204	20	UA	D04507J			27-32-11	GDX0004	S..	2	N2	2			
204B	24	PW	D00823	18		27-32-11	D04507J	12		N2	1			
204R	24	PW	D00823	16		27-32-11	D04507J	11		N2				
204Z			D04507J			27-32-11	D00823	DED		N2				
205B	24	PW	D00815	19		31-51-21	SM00007		W	N2	1			
205R	24	PW	D00815	52		31-51-21	SM00006		W	N2				
205Z			D00815	DED		31-51-21	SM00006	REF		N2				
207	20	UA	D04597J			31-51-21	GDX0004	S..	2	N2	2			
207B	24	PW	SM00007		W	31-51-21	D04597J	4		N2	1			
207R	24	PW	SM00006		W	31-51-21	D04597J	3		N2				
207Z			SM00006	REF		31-51-21	D04597J			N2				
208	20	UA	D04301J			34-16-11	GDX0002	S..	2	N2	2			
208B	24	PW	D00821	36		34-16-11	D04301J	9		N2	2			
208R	24	PW	D00821	2		34-16-11	D04301J	8		N2				
208Z			D00821	DED		34-16-11	D04301J			N2				

286T0045-0BF
Wire Bundle Assembly
Figure 144 (Sheet 9)

25-71-02



BOEING
COMPONENT
MAINTENANCE MANUAL

WIRE		FROM EQUIPMENT			TO EQUIPMENT			WIRE INFO					
NUMBER	GA	TYP	NUMBER	TERM	TT	WDM REF	NUMBER	TERM	TT	EMC/SEP	FT	NOTE	EFFECTIVITY
209B	24	PW	D01489	46		31-51-33	SM00007		W	N2	1		
209R	24	PW	D01489	12		31-51-33	SM00006		W	N2			
209Z			D01489	DED		31-51-33	SM00006	REF		N2			
212B	24	PW	D01433	36		31-51-42	SM00007		W	N2	1		
212R	24	PW	D01433	2		31-51-42	SM00006		W	N2			
212Z			D01433	DED		31-51-42	SM00006	REF		N2			
213	20	UA	D04507J			34-16-11	GDX0004	S..	2	N2	2		
213B	24	PW	D00821	35		34-16-11	D04507J	8		N2	2		
213R	24	PW	D00821	1		34-16-11	D04507J	9		N2			
213Z			D00821	DED		34-16-11	D04507J			N2			
214	20	UA	D04349J			34-16-11	GDX0004	S..	2	N2	2		
214B	24	PW	D00821	37		34-16-11	D04349J	19		N2	2		
214R	24	PW	D00821	3		34-16-11	D04349J	18		N2			
214Z			D00821	DED		34-16-11	D04349J			N2			
215B	24	PL	D01487	24		31-51-31	D04597J	12		N2	2		
215R	24	PL	D01487	23		31-51-31	D04597J	13		N2			
216B	24	PL	D00817	24		31-51-32	D04303J	12		N2	2		
216R	24	PL	D00817	23		31-51-32	D04303J	11		N2			
221B	24	PW	D01489	45		31-51-33	SM00004		W	N2	1		
221R	24	PW	D01489	11		31-51-33	SM00003		W	N2			
221Z			D01489	DED		31-51-33	SM00003	REF		N2			
223B	24	PW	D00821	38		34-16-11	SM00004		W	N2	1		
223R	24	PW	D00821	4		34-16-11	SM00003		W	N2			
223Z			D00821	DED		34-16-11	SM00003	REF		N2			
224	20	UA	D04349J			27-32-21	GDX0004	S..	2	N2	2		
224B	24	PW	D04349J	28		27-32-21	D01381	18		N2	2		
224R	24	PW	D04349J	27		27-32-21	D01381	16		N2			
224Z			D04349J	DED		27-32-21	D01381	DED		N2			
225B	22	PR	D00811	69		31-51-11	SM00060		W	N2	2		
225R	22	PR	D00811	68		31-51-11	SM00060		W	N2			
225Z			D00811	DED		31-51-11	SM00028	REF		N2			

286T0045-0BF
Wire Bundle Assembly
Figure 144 (Sheet 10)

25-71-02

TESTING & TROUBLE SHOOTING
01

Page 196Y
Nov 01/02

WIRE			FROM EQUIPMENT			TO EQUIPMENT			WIRE INFO				
NUMBER	GA	TYP	NUMBER	TERM	TT	WDM REF	NUMBER	TERM	TT	EMC/SEP	FT	NOTE	EFFECTIVITY
226B	22	PR	D00813	69		31-51-12	SM00061		W	N2	2		
226R	22	PR	D00813	68		31-51-12	SM00061		W	N2			
226Z			D00813	DED		31-51-12	SM00030	REF		N2			
230	20	UA	D04347J	18		31-51-33	GDX0003	S..	2	N2	2		
230B	24	PW	D04347J	17		31-51-33	SM00004		W	N2	1		
230R	24	PW	D04347J	17		31-51-33	SM00003		W	N2			
230Z			D04347J			31-51-33	SM00003	REF		N2			
236	20	UA	D04347J	37		27-32-11	GDX0001	S..	2	N2	2		
236B	24	PW	D04347J	36		27-32-11	D00823	54		N2	2		
236R	24	PW	D04347J	36		27-32-11	D00823	23		N2			
236Z			D04347J	40		27-32-11	D00823	DED		N2			
237B	24	PW	D04347J	39		27-32-11	D00823	13		N2	2		
237R	24	PW	D04347J	39		27-32-11	D00823	12		N2			
237Z			D04347J			27-32-11	D00823	DED		N2			
238	20	UA	D04349J	49		27-32-21	GDX0001	S..	2	N2	2		
238B	24	PW	D04349J	48		27-32-21	D01381	54		N2	2		
238R	24	PW	D04349J	48		27-32-21	D01381	23		N2			
238Z			D04349J	20		27-32-21	D01381	DED		N2			
239B	24	PW	D01381	20		27-32-21	D04349J	55		N2	2		
239R	24	PW	D01381	19		27-32-21	D04349J	54		N2			
239Z			D01381	DED		27-32-21	D04349J			N2			
240B	24	PL	D04347J	23		31-51-31	SM00080		W	N2	1		
240R	24	PL	D04347J	22		31-51-31	SM00042		W	N2			
241B	24	PL	D01487	60		31-51-31	SM00080		W	N2	1		
241R	24	PL	D01487	28		31-51-31	SM00042		W	N2			
242B	24	PL	D00817	60		31-51-32	SM00080		W	N2	1		
242R	24	PL	D00817	28		31-51-32	SM00042		W	N2			
243B	24	PW	D04349J	52		27-32-21	D01381	13		N2	2		
243R	24	PW	D04349J	51		27-32-21	D01381	12		N2			
243Z			D04349J			27-32-21	D01381	DED		N2			
245B	24	PW	D00823	20		27-32-11	D04347J	48		N2	2		

286T0045-0BF
Wire Bundle Assembly
Figure 144 (Sheet 11)

25-71-02



BOEING
COMPONENT
MAINTENANCE MANUAL

WIRE			FROM EQUIPMENT			TO EQUIPMENT			WIRE INFO				
NUMBER	GA	TYP	NUMBER	TERM	TT	WDM REF	NUMBER	TERM	TT	EMC/SEP	FT	NOTE	EFFECTIVITY
245R	24	PW	D00823	19		27-32-11	D04347J	47		N2			
245Z			D00823	DED		27-32-11	D04347J			N2			
247	20	UA	D04349J			31-41-35	GDX0006	S..	2	N2	2		
247B	24	PW	D02261	42		31-41-35	D04349J	57		N2	2		
247R	24	PW	D02261	43		31-41-35	D04349J	56		N2			
247Z			D02261	DED		31-41-35	D04349J			N2			
248	20	UA	D04349J			28-41-11	GDX0006	S..	2	N2	2		
248B	24	PW	D02261	5		28-41-11	D04349J	60		N2	2		
248R	24	PW	D02261	8		28-41-11	D04349J	59		N2			
248Z			D02261	DED		28-41-11	D04349J			N2			
271B	24	PL	D04597J	5		31-51-31	SM00088		W	N2	1		
271R	24	PL	D04597J	2		31-51-31	SM00087		W	N2			
272B	24	PL	D01487	63		31-51-31	SM00088		W	N2	1		
272R	24	PL	D01487	62		31-51-31	SM00087		W	N2			
273B	24	PL	D00817	63		31-51-32	SM00088		W	N2	1		
273R	24	PL	D00817	62		31-51-32	SM00087		W	N2			
290B	24	PW	D04597J	8		34-43-15	SM00104		W	N2	1		
290R	24	PW	D04597J	7		34-43-15	SM00103		W	N2			
290Z			D04597J	9		34-43-15	SM00103	REF		N2			
291B	24	PW	D04303J	5		34-43-15	SM00104		W	N2	1		
291R	24	PW	D04303J	4		34-43-15	SM00103		W	N2			
291Z			D04303J	6		34-43-15	SM00103	REF		N2			
292B	24	PW	D04347J	53		34-43-15	SM00104		W	N2	1		
292R	24	PW	D04347J	51		34-43-15	SM00103		W	N2			
292Z			D04347J	61		34-43-15	SM00103	REF		N2			
301	20	UA	SM00028	REF		31-51-11	GDX0005	S..	2	N2	1		
301B	22	PS	D00811	57		31-51-11	SM00028		W	N2	2		
301R	22	PS	D00811	38		31-51-11	SM00028		W	N2			
301Y	22	PS	D00811	58		31-51-11	SM00028		W	N2			
301Z			D00811	DED		31-51-11	SM00028	REF		N2			
302B	22	PS	D00811	42		31-51-11	SM00029		W	N2	2		

286T0045-0BF
Wire Bundle Assembly
Figure 144 (Sheet 12)

25-71-02

WIRE			FROM EQUIPMENT			TO EQUIPMENT			WIRE INFO				
NUMBER	GA	TYP	NUMBER	TERM	TT	WDM REF	NUMBER	TERM	TT	EMC/SEP	FT	NOTE	EFFECTIVITY
302R	22	PS	D00811	41		31-51-11	SM00029		W	N2			
302Y	22	PS	D00811	43		31-51-11	SM00029		W	N2			
302Z			D00811	DED		31-51-11	SM00028	REF		N2			
303B	22	PS	D00811	8		31-51-11	SM00026		W	N2	2		
303R	22	PS	D00811	7		31-51-11	SM00026		W	N2			
303Y	22	PS	D00811	9		31-51-11	SM00026		W	N2			
303Z			D00811	DED		31-51-11	SM00028	REF		N2			
304B	22	PS	D00811	25		31-51-11	SM00027		W	N2	2		
304R	22	PS	D00811	24		31-51-11	SM00027		W	N2			
304Y	22	PS	D00811	37		31-51-11	SM00027		W	N2			
304Z			D00811	DED		31-51-11	SM00028	REF		N2			
305	20	UA	SM00030	REF		31-51-12	GDX0005	S..	2	N2	1		
305B	22	PS	D00813	8		31-51-12	SM00030		W	N2	2		
305R	22	PS	D00813	7		31-51-12	SM00030		W	N2			
305Y	22	PS	D00813	9		31-51-12	SM00030		W	N2			
305Z			D00813	DED		31-51-12	SM00030	REF		N2			
306B	22	PS	D00813	25		31-51-12	SM00031		W	N2	2		
306R	22	PS	D00813	24		31-51-12	SM00031		W	N2			
306Y	22	PS	D00813	37		31-51-12	SM00031		W	N2			
306Z			D00813	DED		31-51-12	SM00030	REF		N2			
307B	22	PS	D00813	57		31-51-12	SM00032		W	N2	2		
307R	22	PS	D00813	38		31-51-12	SM00032		W	N2			
307Y	22	PS	D00813	58		31-51-12	SM00032		W	N2			
307Z			D00813	DED		31-51-12	SM00030	REF		N2			
308B	22	PS	D00813	42		31-51-12	SM00033		W	N2	2		
308R	22	PS	D00813	41		31-51-12	SM00033		W	N2			
308Y	22	PS	D00813	43		31-51-12	SM00033		W	N2			
308Z			D00813	DED		31-51-12	SM00030	REF		N2			
512	24	PK	D02361	20		27-81-31	D04349J	8		N2	2		
601	20	PA	SM00060		W	31-51-11	GDX0004	D..	2	N2			
602	20	PA	SM00061		W	31-51-12	GDX0005	D..	2	N2			

286T0045-0BF
Wire Bundle Assembly
Figure 144 (Sheet 13)

25-71-02



BOEING
COMPONENT
MAINTENANCE MANUAL

WIRE		FROM EQUIPMENT			TO EQUIPMENT			WIRE INFO					
NUMBER	GA	TYP	NUMBER	TERM	TT	WDM REF	NUMBER	TERM	TT	EMC/SEP	FT	NOTE	EFFECTIVITY
603	24	PV	D04301J	5		31-51-12	M01103	INE	D	N2	1		
603Z			D04301J	DED		31-51-12	M01103			N2			
604	24	PV	D04301J	4		31-51-12	D00813	4		N2	3		
604Z			D04301J	DED		31-51-12	D00813			N2			
605	24	PV	D00813	1		31-51-12	M01103	OAD	D	N2	3		
605Z			D00813			31-51-12	M01103	DED		N2			
606	24	PV	D04349J	32		31-51-11	M01102	INE	D	N2	1		
606Z			D04349J	DED		31-51-11	M01102			N2			
607	24	PV	D04349J	33		31-51-11	D00811	4		N2	3		
607Z			D04349J	DED		31-51-11	D00811			N2			
608	24	PV	D00811	1		31-51-11	M01102	OAD	D	N2	3		
608Z			D00811			31-51-11	M01102	DED		N2			
610	24	PK	D00823	37		27-32-11	SM00050	20	W	N2	1		
611	24	PK	D01433	6		31-51-42	D04347J			N2	2		
612	24	PK	D01433	4		31-51-42	SM00050		W	N2	1		
613	24	PK	D04349J	30		31-51-31	SM00065		W	N2	1		
614	24	PK	D01487	52		31-51-31	SM00065		W	N2	1		
615	24	PK	D00817	52		31-51-32	SM00065		W	N2	1		
617	24	PK	D01381	11		27-32-12	D00823	56	W	N2	1		
618	24	PK	D01381	56		27-32-12	D00823	11		N2	1		
619	24	PK	D00823	45		27-32-12	SM00082		W	N2	1		
620	24	PK	D04349J	29		31-51-21	SM00071		W	N2	1		
621	24	PK	D00815	7		31-51-21	SM00071		W	N2	1		
622	24	PK	D01489	2		31-51-33	SM00071		W	N2	1		
623	24	PK	D01489	36		31-51-33	SM00038		W	N2	1		
624	24	PK	D00815	8		31-51-21	SM00045		W	N2	1		
625	24	PK	D01487	9		31-51-31	SM00034		W	N2	1		
630	22	PA	D01487	21		31-51-31	GDX0006	D..	2	N2	2		
631	24	PK	D00817	9		31-51-32	SM00034		W	N2	1		
634	22	PA	D00817	20		31-51-32	GDX0006	D..	2	N2	2		
636	22	PA	D00817	21		31-51-32	GDX0006	D..	2	N2	2		

286T0045-0BF
Wire Bundle Assembly
Figure 144 (Sheet 14)

25-71-02

TESTING & TROUBLE SHOOTING

01

Page 198A

Nov 01/02

WIRE			FROM EQUIPMENT			TO EQUIPMENT			WIRE INFO				
NUMBER	GA	TYP	NUMBER	TERM	TT	WDM REF	NUMBER	TERM	TT	EMC/SEP	FT	NOTE	EFFECTIVITY
644	22	PQ	D00823	66		27-32-31	D04347J	42		N2	2		
644Z			D00823	DED		27-32-31	D04347J	DED		N2			
646	22	PQ	D01381	66		27-32-31	D04349J	42		N2	2		
646Z			D01381	DED		27-32-31	D04349J	DED		N2			
652	24	PV	D00811	26		31-51-11	SM00068		W	N2	2		
652Z			D00811	DED		31-51-11	SM00068	REF		N2			
653	24	PV	D00811	49		31-51-11	SM00069		W	N2	2		
653Z			D00811	DED		31-51-11	SM00069	REF		N2			
654	24	PV	D01739	27		31-51-11	SM00068		W	N2	1		
654Z			D01739	DED		31-51-11	SM00068	REF		N2			
655	24	PV	D01739	32		31-51-11	SM00069		W	N2	1		
655Z			D01739	DED		31-51-11	SM00069	REF		N2			
656	24	PK	D01739	10		31-51-11	SM00022		W	N2	1		
657	22	PA	D01739	14		31-51-11	GDX0006	D..	2	N2	2		
658	24	PV	D01741	27		31-51-11	D00811	62		N2	3		
658Z			D01741			31-51-11	D00811	DED		N2			
659	24	PV	D01741	32		31-51-11	D00811	76		N2	3		
659Z			D01741			31-51-11	D00811	DED		N2			
660	20	UA	D01741	10		31-51-11	GDX0006	S..	2	N2	1		
661	24	PK	D01741	14		31-51-11	D00811	66		N2	3		
662	22	PA	D01741	14		31-51-11	GDX0006	D..	2	N2	1		
663	24	PV	D00813	26		31-51-12	SM00073		W	N2	2		
663Z			D00813	DED		31-51-12	SM00073	REF		N2			
664	24	PV	D00813	49		31-51-12	SM00074		W	N2	2		
664Z			D00813	DED		31-51-12	SM00074	REF		N2			
665	24	PV	D01739	30		31-51-12	SM00073		W	N2	1		
665Z			D01739	DED		31-51-12	SM00073	REF		N2			
666	24	PV	D01739	33		31-51-12	SM00074		W	N2	1		
666Z			D01739	DED		31-51-12	SM00074	REF		N2			
667	24	PK	D01739	9		31-51-12	SM00025		W	N2	1		
668	22	PA	D01739	15		31-51-12	GDX0006	D..	2	N2	2		

286T0045-0BF
Wire Bundle Assembly
Figure 144 (Sheet 15)

25-71-02



BOEING
COMPONENT
MAINTENANCE MANUAL

WIRE			FROM EQUIPMENT			TO EQUIPMENT			WIRE INFO				
NUMBER	GA	TYP	NUMBER	TERM	TT	WDM REF	NUMBER	TERM	TT	EMC/SEP	FT	NOTE	EFFECTIVITY
669	24	PV	D01741	30		31-51-12	D00813	62		N2	2		
669Z			D01741			31-51-12	D00813	DED		N2			
670	24	PV	D01741	33		31-51-12	D00813	76		N2	2		
670Z			D01741			31-51-12	D00813	DED		N2			
671	20	UA	D01741			31-51-12	GDX0006	S..	2	N2	1		
672	24	PK	D01741	9		31-51-12	D00813	66		N2	2		
673	22	PA	D01741	15		31-51-12	GDX0006	D..	2	N2	1		
674	24	PK	D01739	24		31-51-31	D01487	53		N2	2		
675	24	PK	D01741	24		31-51-32	D00817	53		N2	2		
676	24	PK	D01739	1		31-51-35	SM00036		W	N2	1		
677	24	PK	D01739	3		31-51-35	SM00035		W	N2	1		
679	24	PK	D01741	1		31-51-36	SM00036		W	N2	1		
680	24	PK	D01741	3		31-51-36	SM00035		W	N2	1		
681	24	PK	D01433	10		31-51-43	D04507J	10		N2	2		
682	24	PK	D01433	13		31-51-43	D04347J	46		N2	2		
683	22	PA	D01433	41		31-51-43	SM00081		W	N2	1		
684	20	PA	GDX0001	D..	2	31-51-43	D04349J	47		N2	2		
685	24	PK	D00823	58		27-32-12	D01505	A1		N2	2		
686	24	PK	D00823	8		27-32-11	SM00038		W	N2	1		
687	24	PK	D00823	64		27-32-11	SM00081		W	N2	1		
688	24	PK	D01381	58		27-32-22	D01503	A1		N2	2		
689	24	PK	D01381	45		27-32-22	SM00085		W	N2	1		
692	24	PK	D01381	8		27-32-21	SM00038		W	N2	1		
693	24	PK	D04347J	30		31-51-21	D00815	6		N2	2		
694	22	PA	D04349J	46		31-51-43	SM00081		W	N2	1		
696	20	PA	GDX0003	D..	2	27-32-12	SM00082		W	N2	1		
697	20	PA	GDX0003	D..	2	27-32-22	SM00085		W	N2	1		
701	24	PK	D00815	49		31-51-21	D00815	22		N2	2		
702	24	PK	D00815	16		31-51-21	D00815	48		N2	2		
703	24	PK	D00819	6		31-51-41	SM00019		W	N2	1		
704	24	PK	SM00075		W	31-51-41	D04511J	14		N2	1		

286T0045-0BF
Wire Bundle Assembly
Figure 144 (Sheet 16)

25-71-02

TESTING & TROUBLE SHOOTING

01

Page 198C

Nov 01/02

WIRE			FROM EQUIPMENT				TO EQUIPMENT				WIRE INFO			
NUMBER	GA	TYP	NUMBER	TERM	TT	WDM REF	NUMBER	TERM	TT	EMC/SEP	FT	NOTE	EFFECTIVITY	
705	24	PK	D00819	45		31-51-41	D04511J	12		N2	2			
706	24	PK	D00819	10		31-51-41	D04349J	31		N2	2			
707	24	PK	D00819	21		31-51-41	D04509J	4		N2	2			
708	24	PK	D00819	9		31-51-41	D04349J	7		N2	2			
709	24	PK	D00819	39		31-51-41	SM00044		W	N2	1			
710	24	PK	D00819	43		31-51-41	SM00037		W	N2	1			
711	24	PK	D00819	12		31-51-41	D04349J	21		N2	2			
712	24	PK	D00819	53		31-51-41	D04349J	3		N2	2			
713	24	PK	D00819	20		31-51-41	D04347J	9		N2	2			
714	24	PK	D00819	44		31-51-41	D04349J	24		N2	2			
715	24	PK	D04507J	6		31-51-42	SM00019		W	N2	1			
716	24	PK	D01433	34		31-51-42	SM00019		W	N2	1			
717	24	PK	D01433	37		31-51-42	SM00034		W	N2	1			
718	24	PK	D01433	39		31-51-42	D04509J	2		N2	2			
720	24	PK	D01433	52		31-51-42	SM00040		W	N2	1			
721	24	PK	D01433	38		31-51-42	D04347J	24		N2	2			
722	24	PK	D01433	5		31-51-42	D04349J	22		N2	2			
723	24	PK	D04511J	11		31-51-42	SM00038		W	N2	1			
724	24	PK	D01433	40		31-51-42	SM00038		W	N2	1			
725	24	PK	D01433	3		31-51-42	SM00036	13		N2	2			
726	22	PA	D04347J	14		31-51-21	SM00036		W	N2	1			
727	22	PA	D04301J	11		31-51-21	SM00035		W	N2	1			
728	24	PK	D04347J	1		31-51-41	D00819	35		N2	2			
729	24	PK	D04347J	2		31-51-41	D00819	1		N2	2			
730	24	PK	D04347J	3		31-51-41	D00819	36		N2	2			
731	24	PK	D04347J	4		31-51-41	D00819	2		N2	2			
732	24	PK	D04347J	5		31-51-42	D01433	20		N2	2			
733	24	PK	D04347J	16		34-16-11	D00821	65		N2	2			
734	24	PK	D04347J	8		31-51-31	SM00046		W	N2	1			
735	24	PK	D04507J	7		34-16-11	D00821	34		N2	2			
736	24	PK	D04507J	2		34-16-11	D00821	66		N2	2			

286T0045-0BF
Wire Bundle Assembly
Figure 144 (Sheet 17)

25-71-02



BOEING
COMPONENT
MAINTENANCE MANUAL

WIRE		FROM EQUIPMENT			TO EQUIPMENT			WIRE INFO					
NUMBER	GA	TYP	NUMBER	TERM	TT	WDM REF	NUMBER	TERM	TT	EMC/SEP	FT	NOTE	EFFECTIVITY
737	24	PK	SM00041		W	34-16-11	D00821	31		N2	1		
738	24	PK	D04347J	19		34-16-11	D00821	7		N2	2		
739	24	PK	SM00075		W	34-16-11	D00821	6		N2	1		
740	24	PK	SM00038		W	34-16-11	D00821	40		N2	1		
741	24	PK	D00821	18		34-16-11	D00821	22		N2			
742	24	PK	D00821	50		34-16-11	D00821	48		N2			
746	24	PK	D04597J	10		31-51-31	SM00043		W	N2	1		
747	24	PK	D01487	46		31-51-31	SM00043		W	N2	1		
748	24	PK	D04347J	7		31-51-31	SM00045		W	N2	1		
749	24	PK	D01487	10		31-51-31	SM00045		W	N2	1		
750	24	PK	D01487	19		31-51-31	SM00046		W	N2	1		
751	24	PK	D01487	13		31-51-31	SM00040		W	N2	1		
752	24	PK	D01487	47		31-51-31	SM00044		W	N2	1		
753	24	PK	D01487	51		31-51-31	SM00041		W	N2	1		
757	24	PK	D01739	11		31-51-35	SM00039		W	N2	1		
758	24	PK	D01487	22		31-51-31	D01489	23		N2	2		
759	24	PK	D01487	55		31-51-31	D01489	47		N2	2		
760	24	PK	D01487	34		31-51-31	D01489	51		N2	2		
761	24	PK	D01487	66		31-51-31	D01489	57		N2	2		
762	24	PK	D00817	10		31-51-32	SM00045		W	N2	1		
763	24	PK	D00817	46		31-51-32	SM00043		W	N2	1		
766	24	PV	D01741	11		31-51-36	SM00053		W	N2	1		
766Z			D01741	DED		31-51-36	SM00053	DED		N2			
767	24	PK	D00817	19		31-51-32	SM00046		W	N2	1		
768	24	PK	D00817	13		31-51-32	SM00040		W	N2	1		
769	24	PK	D00817	47		31-51-32	SM00044		W	N2	1		
770	24	PK	D00817	51		31-51-32	SM00041		W	N2	1		
772	24	PK	D00817	22		31-51-32	D01489	54		N2	2		
773	24	PK	D00817	55		31-51-32	D01489	13		N2	2		
774	24	PK	D00817	34		31-51-32	D01489	25		N2	2		
775	24	PK	D00817	66		31-51-32	D01489	58		N2	2		

286T0045-0BF
Wire Bundle Assembly
Figure 144 (Sheet 18)

25-71-02

WIRE			FROM EQUIPMENT			TO EQUIPMENT			WIRE INFO				
NUMBER	GA	TYP	NUMBER	TERM	TT	WDM REF	NUMBER	TERM	TT	EMC/SEP	FT	NOTE	EFFECTIVITY
776	24	PK	D01489	42		31-51-33	D04347J	15		N2	2		
777	24	PK	D01489	8		31-51-33	D04349J	13		N2	2		
779	24	PK	D01489	35		31-51-33	D04349J	40		N2	2		
780	24	PK	D01489	53		31-51-33	D04349J	2		N2	2		
781	24	PK	D01489	31		31-51-33	D01489	48		N2	2		
782	24	PK	D01489	18		31-51-33	D01489	22		N2	2		
783	24	PK	D01489	38		31-51-33	SM00008		W	N2	1		
784	24	PK	D01489	4		31-51-33	SM00011		W	N2	1		
785	24	PK	D01489	37		31-51-33	SM00012		W	N2	1		
786	24	PK	D01489	3		31-51-33	SM00010		W	N2	1		
787	24	PK	D01489	1		31-51-33	SM00009		W	N2	1		
788	24	PK	D01489	6		31-51-33	SM00034		W	N2	1		
789	24	PK	D01489	41		31-51-33	D04509J	11		N2	2		
791	24	PK	D01489	7		31-51-33	D04509J	10		N2	2		
792	24	PK	D01489	40		31-51-33	D04509J	9		N2	2		
793	24	PK	D00819	11		31-51-41	SM00075		W	N2	1		
794	20	PA	D04303J	10		31-51-32	GDX0004	S..	2	N2	2		
795	24	PK	D01433	9		31-51-42	D01433	48		N2	2		
796	24	PK	D01433	22		31-51-42	D01433	50		N2	2		
797	24	PV	D00815	41		31-51-21	SM00053	DED	W	N2	1		
797Z			D00815	DED		31-51-21	SM00053	DED		N2	2		
798	24	PV	D04349J	9		31-51-21	SM00053	DED	W	N2	1		
798Z			D04349J	DED		31-51-21	SM00053	DED		N2	2		
817	24	PK	D00823	55		27-32-12	D11553	6		N2	2		
818	24	PK	D00823	21		27-32-12	D11553	4		N2	2		
819	24	PK	D00823	51		27-32-12	D11553	3		N2	2		
820	24	PK	D00823	50		27-32-12	D11553	2		N2	2		
821	24	PK	D00823	49		27-32-12	D11553	7		N2	2		
822	24	PK	D00823	47		27-32-12	D11553	8		N2	2		
823	24	PK	D00823	46		27-32-12	D11553	9		N2	2		
824	24	PK	D00823	53		27-32-12	D11553	5		N2	2		

286T0045-0BF
Wire Bundle Assembly
Figure 144 (Sheet 19)

25-71-02



BOEING
COMPONENT
MAINTENANCE MANUAL

WIRE			FROM EQUIPMENT		TO EQUIPMENT		WIRE INFO						
NUMBER	GA	TYP	NUMBER	TERM	TT	WDM REF	NUMBER	TERM	TT	EMC/SEP	FT	NOTE	EFFECTIVITY
825	24	PK	D00823	62		27-32-12	D11553	24		N2	2		
826	24	PK	D01381	55		27-32-22	D11553	16		N2	2		
827	24	PK	D01381	21		27-32-22	D11553	14		N2	2		
828	24	PK	D01381	51		27-32-22	D11553	13		N2	2		
829	24	PK	D01381	50		27-32-22	D11553	12		N2	2		
830	24	PK	D01381	49		27-32-22	D11553	17		N2	2		
831	24	PK	D01381	47		27-32-22	D11553	18		N2	2		
832	24	PK	D01381	46		27-32-22	D11553	19		N2	2		
833	24	PK	D01381	53		27-32-22	D11553	15		N2	2		
834	24	PK	D01381	62		27-32-22	D11553	34		N2	2		
835	24	PK	D04349J	50		27-32-21	D01381	64		N2	2		
836	20	PA	D04349J	53		27-32-21	GDX0002	S..	2	N2	2		
837	24	PK	D00823	42		27-32-12	SM00082		W	N2	1		
838	24	PK	D01381	42		27-32-22	SM00085		W	N2	1		
862	22	PA	D02261	30		31-41-35	GDX0006	S..	2	N2	1		
863	22	PA	D02261	32		31-41-35	GDX0006	S..	2	N2	1		
864	22	PA	D02261	33		31-41-35	GDX0006	S..	2	N2	1		
865	22	PA	D02261	64		31-41-35	GDX0006	S..	2	N2	1		
866	24	PV	D02261	27		31-51-11	SM00018		W	N2	1		
866Z			D02261	DED		31-51-11	SM00018	REF		N2			
867	24	PV	D02261	28		31-51-11	SM00047		W	N2	1		
867Z			D02261	DED		31-51-11	SM00047	REF		N2			
868	24	PV	D02261	29		31-51-12	SM00054		W	N2	1		
868Z			D02261	DED		31-51-12	SM00054	REF		N2			
869	24	PK	D02261	34		31-51-12	SM00025		W	N2	1		
870	22	PA	D02261	56		31-51-12	GDX0001	S..	2	N2	2		
871	22	PA	D02261	57		31-51-12	GDX0003	S..	2	N2	2		
872	22	PA	D02261	59		31-51-11	GDX0005	S..	2	N2	1		
873	24	PV	D02261	60		31-51-12	SM00055		W	N2	1		
873Z			D02261	DED		31-51-12	SM00055	REF		N2			
874	24	PV	D02261	62		31-51-11	SM00049		W	N2	1		

286T0045-0BF
Wire Bundle Assembly
Figure 144 (Sheet 20)

25-71-02

TESTING & TROUBLE SHOOTING
01 Page 198G
Nov 01/02

WIRE			FROM EQUIPMENT			TO EQUIPMENT			WIRE INFO				
NUMBER	GA	TYP	NUMBER	TERM	TT	WDM REF	NUMBER	TERM	TT	EMC/SEP	FT	NOTE	EFFECTIVITY
874Z			D02261	DED		31-51-11	SM00049	REF		N2			
875	24	PV	D02261	63		31-51-12	SM00056		W	N2	1		
875Z			D02261	DED		31-51-12	SM00056	REF		N2			
876	24	PK	D02261	65		31-51-11	SM00022		W	N2	1		
877	24	PV	D00811	14		31-51-11	SM00018		W	N2	2		
877Z			D00811	DED		31-51-11	SM00018	REF		N2			
878	24	PV	D00811	48		31-51-11	SM00047		W	N2	2		
878Z			D00811	DED		31-51-11	SM00047	REF		N2			
879	24	PV	D00811	23		31-51-11	SM00049		W	N2	2		
879Z			D00811	DED		31-51-11	SM00049	REF		N2			
880	24	PV	D00813	14		31-51-12	SM00054		W	N2	2		
880Z			D00813	DED		31-51-12	SM00054	REF		N2			
881	24	PV	D00813	48		31-51-12	SM00055		W	N2	2		
881Z			D00813	DED		31-51-12	SM00055	REF		N2			
882	24	PV	D00813	23		31-51-12	SM00056		W	N2	2		
882Z			D00813	DED		31-51-12	SM00056	REF		N2			
883	22	PA	D02261	15		38-32-11	D04349J	26		N2	2		
884	22	PA	D02261	47		38-32-11	D04347J	27		N2	2		
885	24	PK	D04303J	9		31-51-21	SM00057		W	N2	1		
886	24	PK	D04507J	3		31-51-21	SM00058		W	N2	1		
887	24	PK	D04507J	1		31-51-21	SM00058		W	N2	1		
888	24	PK	SM00057		W	31-51-21	D04349J	44		N2	1		

286T0045-0BF
Wire Bundle Assembly
Figure 144 (Sheet 21)

25-71-02

TESTING & TROUBLE SHOOTING
01

Page 198H
Nov 01/02



BOEING
COMPONENT
MAINTENANCE MANUAL

WIRE		FROM EQUIPMENT			TO EQUIPMENT			WIRE INFO					
NUMBER	GA	TYP	NUMBER	TERM	TT	WDM REF	NUMBER	TERM	TT	EMC/SEP	FT	NOTE	EFFECTIVITY
FRA			M01103			31-51-12	M01103	GND	D	N2			
FRB			D00813			31-51-12	D00813	59		N2			
FRC			M01102			31-51-11	M01102	GND	D	N2			
FRD			D00811			31-51-11	D00811	59		N2			
FRG			D04349J	58		31-41-35	D04349J			N2			
FRH			D04349J	61		28-41-11	D04349J			N2			
PA1			D00815	47		99-99-99	D00815	63		N2		DAW-B2	
PA2			D00817	8		99-99-99	D00817	57		N2		DAW-B2	
PA3			D00819	41		99-99-99	D00819	55		N2		DAW-B2	
PA4			D00821	43		99-99-99	D00821	60		N2		DAW-B2	
PA5			D00823	52		99-99-99	D00823	65		N2		DAW-B2	
PA6			D01433	44		99-99-99	D01433	61		N2		DAW-B2	
PA7			D01381	52		99-99-99	D01381	65		N2		DAW-B2	
PA8			D01487	8		99-99-99	D01487	57		N2		DAW-B2	
PA9			D01489	56		99-99-99	D01489	65		N2		DAW-B2	
PB4			D02261	54		99-99-99	D02261	61		N2		DAW-B2	
P01		SE	D11553							N2			
1	22	PA	D00811	60		31-51-11	GDX0001	S..	2	N2	3		
2	22	PA	D00821	14		31-51-11	GDX0002	D..	2	N2	2		
3	24	PV	D00811	26		31-51-11	D00821	27		N2	3		
003Z			D00811	DED		31-51-11	D00821			N2			
4	24	PV	D00811	49		31-51-11	D00821	32		N2	3		
004Z			D00811	DED		31-51-11	D00821			N2			
5	24	PV	D00811	35		31-51-11	D00821	17		N2	3		
005Z			D00811	DED		31-51-11	D00821			N2			
6	24	PK	SM00022		W	31-51-11	D00821	51		N2	1		
7	24	PK	D00811	65		31-51-11	SM00022		W	N2	2		
8	24	PK	D00819	37		31-51-11	SM00022		W	N2	1		
9	24	PV	D00819	27		31-51-11	D00811	13		N2	3		
009Z			D00811	DED		31-51-11	D00819			N2			
10	22	PA	D00819	14		31-51-11	GDX0001	D..	2	N2	2		

286T0045-OBG
Wire Bundle Assembly
Figure 145 (Sheet 1)

25-71-02

TESTING & TROUBLE SHOOTING

01

Page 1981

Nov 01/02

WIRE			FROM EQUIPMENT			TO EQUIPMENT			WIRE INFO				
NUMBER	GA	TYP	NUMBER	TERM	TT	WDM REF	NUMBER	TERM	TT	EMC/SEP	FT	NOTE	EFFECTIVITY
11	24	PK	D01433	51		31-51-11	SM00022		W	N2	1		
12	24	PV	SM00018		W	31-51-11	D01433	27		N2	1		
012Z			SM00018	REF		31-51-11	D01433			N2			
13	24	PV	SM00047		W	31-51-11	D01433	32		N2	1		
013Z			SM00047	REF		31-51-11	D01433			N2			
14	24	PV	SM00049		W	31-51-11	D01433	17		N2	1		
014Z			SM00049	REF		31-51-11	D01433			N2			
15	22	PA	D01433	14		31-51-11	GDX0001	D..	2	N2	2		
16	20	PA	SM00028		W	31-51-11	GDX0005	D..	2	N2	2		
17	20	UA	GDX0002	S..	2	31-51-11	D00821			N2	2		
18	20	UA	GDX0005	S..	2	31-51-11	D00819			N2	2		
19	20	UA	D01433		2	31-51-11	GDX0002	S..	2	N2	2		
20	20	PA	GDX0005	D..	2	31-51-11	SM00029		W	N2	2		
21	20	UA	GDX0002	S..	2	31-51-11	D01503			N2	2		
23	20	UA	D00815			31-51-11	GDX0002	S..	2	N2	2		
24	24	PK	D04349J	38		31-51-11	SM00005		W	N2	1		
25	24	PK	D01503	A2		31-51-11	SM00005		W	N2	1		
26	20	PA	D01503	A3		31-51-11	GDX0003	D..	2	N2	2		
27	22	PQ	D01503	X2		31-51-11	D00811	75		N2	4		
027Z			D00811	DED		31-51-11	D01503			N2			
28	24	PV	D01503	X1		31-51-11	SM00015		W	N2	1		
028Z			SM00015	REF		31-51-11	D01503			N2			
29	24	PV	D00811	46		31-51-11	SM00015		W	N2	2		
029Z			SM00015	REF		31-51-11	D00811	DED		N2			
30	24	PK	SM00015		W	31-51-11	D00811			N2	1		
32	20	PA	D11553	11		31-51-11	D11553	35		N2	2		
33	24	PK	D11553	37		31-51-11	GDX0003	D..	2	N2	2		
34	24	PK	D11553	36		31-51-11	D00811	34		N2	4		
35	22	PA	D00815	14		31-51-11	D00811	33		N2	4		
36	24	PV	D00815	27		31-51-11	GDX0001	D..	2	N2	2		
036Z			D00811	DED		31-51-11	D00811	12		N2	3		

286T0045-OBG
Wire Bundle Assembly
Figure 145 (Sheet 2)

25-71-02



BOEING
COMPONENT
MAINTENANCE MANUAL

WIRE		FROM EQUIPMENT			TO EQUIPMENT			WIRE INFO					
NUMBER	GA	TYP	NUMBER	TERM	TT	WDM REF	NUMBER	TERM	TT	EMC/SEP	FT	NOTE	EFFECTIVITY
37	24	PV	D00815	32		31-51-11	D00811	17		N2	3		
037Z			D00811	DED		31-51-11	D00815			N2			
38	24	PV	D00815	17		31-51-11	D00811	22		N2	3		
038Z			D00811	DED		31-51-11	D00815			N2			
39	24	PK	D00815	54		31-51-11	SM00020		W	N2	1		
40	24	PK	D00811	63		31-51-11	SM00020		W	N2	2		
41	24	PK	D00823	35		31-51-11	SM00020		W	N2	1		
42	24	PK	D01381	35		31-51-11	SM00020		W	N2	1		
45	22	PA	D01381	14		31-51-11	GDX0001	D..	2	N2	2		
46	22	PA	D01381	48		31-51-11	GDX0003	D..	2	N2	2		
47	24	PV	D01381	27		31-51-11	D00811	11		N2	3		
047Z			D00811	DED		31-51-11	D01381			N2			
48	24	PV	D01381	32		31-51-11	D00811	16		N2	3		
048Z			D00811	DED		31-51-11	D01381			N2			
49	24	PV	D01381	17		31-51-11	D00811	21		N2	3		
049Z			D00811	DED		31-51-11	D01381			N2			
52	22	PA	D00823	14		31-51-11	GDX0001	D..	2	N2	2		
53	22	PA	D00823	48		31-51-11	GDX0003	D..	2	N2	2		
54	24	PV	D00823	27		31-51-11	D00811	10		N2	3		
054Z			D00811	DED		31-51-11	D00823			N2			
55	24	PV	D00823	32		31-51-11	D00811	15		N2	3		
055Z			D00811	DED		31-51-11	D00823			N2			
56	24	PV	D00823	17		31-51-11	D00811	20		N2	3		
056Z			D00811	DED		31-51-11	D00823			N2			
57	22	PA	D00817	14		31-51-11	GDX0002	D..	2	N2	2		
58	24	PV	D00817	27		31-51-11	D00811	51		N2	3		
058Z			D00811	DED		31-51-11	D00817			N2			
59	24	PV	D00817	32		31-51-11	D00811	74		N2	3		
059Z			D00811	DED		31-51-11	D00817			N2			
60	24	PK	D00817	45		31-51-11	SM00021		W	N2	1		
61	24	PK	D00811	64		31-51-11	SM00021		W	N2	2		

286T0045-OBG
Wire Bundle Assembly
Figure 145 (Sheet 3)

25-71-02

WIRE			FROM EQUIPMENT			TO EQUIPMENT			WIRE INFO				
NUMBER	GA	TYP	NUMBER	TERM	TT	WDM REF	NUMBER	TERM	TT	EMC/SEP	FT	NOTE	EFFECTIVITY
62	24	PK	D01489	16		31-51-11	SM00021		W	N2	1		
63	24	PK	D01487	45		31-51-11	SM00021		W	N2	1		
64	24	PV	D01487	27		31-51-11	D00811	47		N2	3		
064Z			D00811	DED		31-51-11	D01487			N2			
65	24	PV	D01487	32		31-51-11	D00811	70		N2	3		
065Z			D00811	DED		31-51-11	D01487			N2			
66	22	PA	D01487	14		31-51-11	GDX0003	D..	2	N2	2		
67	24	PV	D01489	27		31-51-11	D00811	45		N2	3		
067Z			D00811	DED		31-51-11	D01489			N2			
68	24	PV	D01489	32		31-51-11	D00811	50		N2	3		
068Z			D00811	DED		31-51-11	D01489			N2			
69	24	PV	D01489	17		31-51-11	D00811	36		N2	3		
069Z			D00811	DED		31-51-11	D01489			N2			
70	22	PA	D01489	14		31-51-11	GDX0003	D..	2	N2	2		
71	20	UA	D01381			31-51-11	GDX0002	S..	2	N2	2		
72	20	UA	D00823			31-51-11	GDX0002	S..	2	N2	2		
73	20	UA	D00817			31-51-11	GDX0002	S..	2	N2	2		
74	20	PA	SM00026		W	31-51-11	GDX0005	D..	2	N2	2		
75	20	UA	D01487			31-51-11	GDX0005	S..	2	N2	2		
76	20	UA	GDX0005	S..	2	31-51-11	D01489			N2	2		
77	24	PK	D02261	40		31-41-35	D04349J	1		N2	2		
78	20	PA	SM00027		W	31-51-11	GDX0005	D..	2	N2	2		
79	22	PA	D00813	60		31-51-12	GDX0003	S..	2	N2	3		
80	22	PA	D00821	15		31-51-12	GDX0002	D..	2	N2	2		
81	24	PV	D00821	30		31-51-12	D00813	26		N2	3		
081Z			D00813	DED		31-51-12	D00821			N2			
82	24	PV	D00821	33		31-51-12	D00813	49		N2	3		
082Z			D00813	DED		31-51-12	D00821			N2			
83	24	PV	D00821	24		31-51-12	D00813	35		N2	3		
083Z			D00813	DED		31-51-12	D00821			N2			
84	24	PK	D00821	19		31-51-12	SM00025		W	N2	1		

286T0045-OBG
Wire Bundle Assembly
Figure 145 (Sheet 4)

25-71-02



BOEING
COMPONENT
MAINTENANCE MANUAL

WIRE		FROM EQUIPMENT			TO EQUIPMENT			WIRE INFO					
NUMBER	GA	TYP	NUMBER	TERM	TT	WDM REF	NUMBER	TERM	TT	EMC/SEP	FT	NOTE	EFFECTIVITY
85	24	PK	D00813	65		31-51-12	SM00025		W	N2	2		
86	24	PK	D00819	3		31-51-12	SM00025		W	N2	1		
87	24	PK	D01433	18		31-51-12	SM00025		W	N2	1		
88	22	PA	D01433	15		31-51-12	GDX0002	D..	2	N2	2		
89	24	PV	D01433	30		31-51-12	SM00054		W	N2	1		
089Z			SM00054	REF		31-51-12	D01433		W	N2	1		
90	24	PV	D01433	33		31-51-12	SM00055		W	N2	1		
090Z			SM00055	REF		31-51-12	D01433		W	N2	1		
91	24	PV	D01433	24		31-51-12	SM00056		W	N2	1		
091Z			SM00056	REF		31-51-12	D01433		W	N2	1		
92	22	PA	D00819	15		31-51-12	GDX0002	D..	2	N2	2		
93	24	PV	D00819	30		31-51-12	D00813	13		N2	3		
093Z			D00813	DED		31-51-12	D00819			N2			
94	20	PA	SM00032		W	31-51-12	GDX0005	D..	2	N2	3		
95	24	PV	D01505	X2		31-51-12	D00813	75		N2	3		
095Z			D00813	DED		31-51-12	D01505			N2			
96	24	PV	D01505	X1		31-51-12	SM00016		W	N2	1		
096Z			SM00016	REF		31-51-12	D01505			N2			
97	24	PV	D00813	46		31-51-12	SM00016		W	N2	2		
097Z			SM00016	REF		31-51-12	D00813	DED		N2			
98	20	PA	SM00033		W	31-51-12	GDX0005	D..	2	N2	1		
99	24	PK	SM00016		W	31-51-12	D11553	25		N2	2		
10A	24	PK	D01489	21		31-51-33	D04349J	23		N2	2		
100	20	PA	D11553	1		31-51-12	GDX0003	D..	2	N2	2		
101	20	UA	D00821			31-51-12	GDX0004	S..	2	N2	2		
102	20	UA	D00819			31-51-12	GDX0004	S..	2	N2	2		
103	20	UA	D01433			31-51-12	GDX0004	S..	2	N2	2		
104	20	UA	D01505			31-51-12	GDX0005	S..	2	N2	2		
106	20	UA	D00815			31-51-12	GDX0004	S..	2	N2	2		
107	20	UA	D01381			31-51-12	GDX0004	S..	2	N2	2		
109	20	UA	D00817			31-51-12	GDX0004	S..	2	N2	2		

286T0045-OBG
Wire Bundle Assembly
Figure 145 (Sheet 5)

25-71-02

WIRE			FROM EQUIPMENT			TO EQUIPMENT			WIRE INFO				
NUMBER	GA	TYP	NUMBER	TERM	TT	WDM REF	NUMBER	TERM	TT	EMC/SEP	FT	NOTE	EFFECTIVITY
110	20	UA	D01487			31-51-12	GDX0001	S..	2	N2	2		
111	20	UA	D01489			31-51-12	GDX0001	S..	2	N2	2		
112	22	PA	D00815	15		31-51-12	GDX0001	D..	2	N2	2		
113	24	PK	D01505	A2		31-51-12	SM00005		W	N2	1		
114	20	PA	D01505	A3		31-51-12	GDX0003	D..	2	N2	2		
115	24	PK	D02261	21		21-61-51	D04347J	25	2	N2	2		
116	24	PK	D00815	21		31-51-12	SM00023		W	N2	1		
117	24	PK	D00813	63		31-51-12	SM00023		W	N2	2		
118	24	PK	D00823	1		31-51-12	SM00023		W	N2	1		
119	24	PK	D01381	1		31-51-12	SM00023		W	N2	1		
120	22	PA	D01381	15		31-51-12	GDX0001	D..	2	N2	2		
121	24	PK	D00817	56		31-51-12	SM00024		W	N2	1		
122	24	PK	D00813	64		31-51-12	SM00024		W	N2	2		
123	24	PK	D01487	56		31-51-12	SM00024		W	N2	1		
124	22	PA	D00823	15		31-51-12	GDX0001	D..	2	N2	2		
125	20	UA	D00823			31-51-12	GDX0004	S..	2	N2	2		
126	24	PV	D00823	33		31-51-12	D00813	15		N2	3		
126Z			D00823			31-51-12	D00813	DED		N2			
127	24	PV	D00823	24		31-51-12	D00813	20		N2	3		
127Z			D00823			31-51-12	D00813	DED		N2			
128	22	PA	D00817	15		31-51-12	GDX0002	D..	2	N2	2		
129	24	PV	D00817	30		31-51-12	D00813	51		N2	3		
129Z			D00817			31-51-12	D00813	DED		N2			
130	24	PV	D00817	33		31-51-12	D00813	74		N2	3		
130Z			D00817			31-51-12	D00813	DED		N2			
131	24	PV	D00813	11		31-51-12	D01381	30		N2	3		
131Z			D01381			31-51-12	D00813	DED		N2			
132	24	PV	D00813	16		31-51-12	D01381	33		N2	3		
132Z			D01381			31-51-12	D00813	DED		N2			
133	24	PV	D01381	24		31-51-12	D00813	21		N2	3		
133Z			D01381			31-51-12	D00813	DED		N2			

286T0045-OBG
Wire Bundle Assembly
Figure 145 (Sheet 6)

25-71-02



BOEING
COMPONENT
MAINTENANCE MANUAL

WIRE			FROM EQUIPMENT			TO EQUIPMENT			WIRE INFO				
NUMBER	GA	TYP	NUMBER	TERM	TT	WDM REF	NUMBER	TERM	TT	EMC/SEP	FT	NOTE	EFFECTIVITY
134	24	PK	D01489	50		31-51-12	SM00024			N2	1		
135	24	PV	D01487	30		31-51-12	D00813	47	W	N2	3		
135Z			D01487			31-51-12	D00813	DED		N2			
136	24	PV	D01487	33		31-51-12	D00813	70		N2	3		
136Z			D01487			31-51-12	D00813	DED		N2			
137	22	PA	D01487	15		31-51-12	GDX0003	D..	2	N2	2		
138	24	PV	D01489	30		31-51-12	D00813	45		N2	3		
138Z			D01489			31-51-12	D00813	DED		N2			
139	24	PV	D01489	33		31-51-12	D00813	50		N2	3		
139Z			D01489			31-51-12	D00813	DED		N2			
140	24	PV	D01489	24		31-51-12	D00813	36		N2	3		
140Z			D01489			31-51-12	D00813	DED		N2			
141	22	PA	D01489	15		31-51-12	GDX0003	D..	2	N2	2		
142	24	PK	D00813	33		31-51-12	D11553	26		N2	3		
143	24	PK	D11553	27		31-51-12	D00813	34		N2	3		
144	24	PV	D00813	12		31-51-12	D00815	30		N2	3		
144Z			D00813	DED		31-51-12	D00815			N2			
145	20	PA	SM00030		W	31-51-12	GDX0005	D..	2	N2			
146	24	PV	D00813	17		31-51-12	D00815	33		N2	3		
146Z			D00813	DED		31-51-12	D00815			N2			
147	24	PV	D00813	22		31-51-12	D00815	24		N2	3		
147Z			D00813	DED		31-51-12	D00815			N2			
148	24	PV	D00813	10		31-51-12	D00823	30		N2	3		
148Z			D00813	DED		31-51-12	D00823			N2			
149	20	PA	SM00031		W	31-51-12	GDX0005	D..	2	N2			
150	22	PA	D04301J	6		27-32-11	D00823	34		N2	2		
151	24	PK	D04509J	1		27-32-11	D00823	39		N2	2		
152	24	PK	D04347J	26		27-32-11	D00823	40		N2	2		
153	24	PK	D00823	31		27-32-11	D04509J	6		N2	2		
154	20	PA	D04509J	7		27-32-11	GDX0001	D..	2	N2	2		
155	24	PK	SM00037		W	27-32-11	D04511J	3		N2	1		

286T0045-OBG
Wire Bundle Assembly
Figure 145 (Sheet 7)

25-71-02

TESTING & TROUBLE SHOOTING
01

Page 1980
Nov 01/02

WIRE			FROM EQUIPMENT				TO EQUIPMENT				WIRE INFO			
NUMBER	GA	TYP	NUMBER	TERM	TT	WDM REF	NUMBER	TERM	TT	EMC/SEP	FT	NOTE	EFFECTIVITY	
156	24	PK	D00823	38		27-32-11	D04511J	2		N2	2			
157	24	PK	D04511J	4		27-32-11	SM00050		W	N2	1			
158	24	PK	SM00037		W	27-32-11	D00823	4		N2	1			
159	24	PK	D04349J	14		27-32-11	D00823	36		N2	1			
160	24	PK	D04349J	15		27-32-11	D00823	3		N2	1			
161	24	PK	D04349J	16		27-32-11	D00823	43		N2	1			
162	24	PK	D04349J	10		27-32-11	D00823	2		N2	1			
165	22	PA	D04349J	11		27-32-21	D01381	34		N2	2			
166	24	PK	D01381	40		27-32-21	D04349J	6		N2	2			
167	24	PK	D01381	31		27-32-21	D04511J	7		N2	2			
168	20	PA	GDX0002	D..	2	27-32-21	D04511J	8		N2	2			
169	24	PK	D04349J	34		27-32-21	D01381	36		N2	2			
170	24	PK	D04349J	35		27-32-21	D01381	3		N2	2			
171	24	PK	D04349J	36		27-32-21	D01381	43		N2	2			
172	24	PK	D04349J	37		27-32-21	D01381	2		N2	2			
173	24	PK	D04511J	13		27-32-21	D01381	4		N2	2			
174	24	PK	D04511J	16		27-32-21	D01381	37		N2	2			
175	24	PK	D04511J	15		27-32-21	D01381	38		N2	2			
176	24	PK	D04509J	8		27-32-21	D01381	39		N2	2			
177	24	PK	D00815	34		31-51-21	SM00057		W	N2	1			
178	24	PK	D00815	43		31-51-21	D01433	19		N2	2			
179	24	PK	D00815	10		31-51-21	D00819	5		N2	2			
180	24	PK	D04507J	5		31-51-21	SM00034	66	W	N2	1			
181	24	PK	SM00058		W	31-51-21	D00815			N2	1			
182	24	PK	D00815	4		31-51-21	SM00034	39	W	N2	1			
183	24	PK	D00815	11		31-51-21	D04349J		W	N2	2			
184	22	PA	D00815	37		31-51-21	SM00035		W	N2	1			
185	22	PA	D00815	42		31-51-21	SM00036		W	N2	1			
186	24	PK	D04349J	5		31-51-21	SM00012		W	N2	1			
187	24	PK	D00815	2		31-51-21	SM00012		W	N2	1			
188	24	PK	SM00011		W	31-51-21	D04349J	4		N2	1			

286T0045-OBG
Wire Bundle Assembly
Figure 145 (Sheet 8)

25-71-02



BOEING
COMPONENT
MAINTENANCE MANUAL

WIRE			FROM EQUIPMENT			TO EQUIPMENT			WIRE INFO				
NUMBER	GA	TYP	NUMBER	TERM	TT	WDM REF	NUMBER	TERM	TT	EMC/SEP	FT	NOTE	EFFECTIVITY
189	24	PK	SM00011		W	31-51-21	D00815	35		N2	1		
190	24	PK	D04349J	12		31-51-21	SM00009		W	N2	1		
191	24	PK	D00815	44		31-51-21	SM00009		W	N2	1		
192	24	PK	D04347J	10		31-51-21	SM00008		W	N2	1		
193	24	PK	D00815	1		31-51-21	SM00008		W	N2	1		
194	24	PK	D04347J	11		31-51-21	SM00010		W	N2	1		
195	24	PK	D00815	36		31-51-21	SM00010		W	N2	1		
196	24	PK	SM00039		W	31-51-21	D04347J	21		N2	1		
197	24	PK	D00815	45		31-51-21	SM00039		W	N2	1		
198	24	PK	D00815	46		31-51-21	D04347J	6		N2	2		
199	20	PA	GDX0004	S..	2	31-51-31	D04597J	14		N2	2		
201B	24	PW	D01489	43		31-51-33	SM00004		W	N2	1		
201R	24	PW	D01489	9		31-51-33	SM00003		W	N2			
201Z			D01489	DED		31-51-33	SM00003	REF		N2			
204	20	UA	D04507J			27-32-11	GDX0004	S..	2	N2	2		
204B	24	PW	D00823	18		27-32-11	D04507J	12		N2	1		
204R	24	PW	D00823	16		27-32-11	D04507J	11		N2			
204Z			D04507J			27-32-11	D00823	DED		N2			
205B	24	PW	D00815	19		31-51-21	SM00007		W	N2	1		
205R	24	PW	D00815	52		31-51-21	SM00006		W	N2			
205Z			D00815	DED		31-51-21	SM00006	REF		N2			
207	20	UA	D04597J			31-51-21	GDX0004	S..	2	N2	2		
207B	24	PW	SM00007		W	31-51-21	D04597J	4		N2	1		
207R	24	PW	SM00006		W	31-51-21	D04597J	3		N2			
207Z			SM00006	REF		31-51-21	D04597J			N2			
208	20	UA	D04301J			34-16-11	GDX0002	S..	2	N2	2		
208B	24	PW	D00821	36		34-16-11	D04301J	9		N2	2		
208R	24	PW	D00821	2		34-16-11	D04301J	8		N2			
208Z			D00821	DED		34-16-11	D04301J			N2			
209B	24	PW	D01489	46		31-51-33	SM00007		W	N2	1		
209R	24	PW	D01489	12		31-51-33	SM00006		W	N2			

286T0045-OBG
Wire Bundle Assembly
Figure 145 (Sheet 9)

25-71-02

TESTING & TROUBLE SHOOTING

01

Page 198Q

Nov 01/02

WIRE			FROM EQUIPMENT				TO EQUIPMENT				WIRE INFO			
NUMBER	GA	TYP	NUMBER	TERM	TT	WDM REF	NUMBER	TERM	TT	EMC/SEP	FT	NOTE	EFFECTIVITY	
209Z			D01489	DED		31-51-33	SM00006	REF		N2				
212B	24	PW	D01433	36		31-51-42	SM00007		W	N2	1			
212R	24	PW	D01433	2		31-51-42	SM00006		W	N2				
212Z			D01433	DED		31-51-42	SM00006	REF		N2				
213	20	UA	D04507J			34-16-11	GDX0004	S..	2	N2	2			
213B	24	PW	D00821	35		34-16-11	D04507J	8		N2	2			
213R	24	PW	D00821	1		34-16-11	D04507J	9		N2				
213Z			D00821	DED		34-16-11	D04507J			N2				
214	20	UA	D04349J			34-16-11	GDX0004	S..	2	N2	2			
214B	24	PW	D00821	37		34-16-11	D04349J	19		N2	2			
214R	24	PW	D00821	3		34-16-11	D04349J	18		N2				
214Z			D00821	DED		34-16-11	D04349J			N2				
215B	24	PL	D01487	24		31-51-31	D04597J	12		N2	2			
215R	24	PL	D01487	23		31-51-31	D04597J	13		N2				
216B	24	PL	D00817	24		31-51-32	D04303J	12		N2	2			
216R	24	PL	D00817	23		31-51-32	D04303J	11		N2				
221B	24	PW	D01489	45		31-51-33	SM00004		W	N2	1			
221R	24	PW	D01489	11		31-51-33	SM00003		W	N2				
221Z			D01489	DED		31-51-33	SM00003	REF		N2				
223B	24	PW	D00821	38		34-16-11	SM00004		W	N2	1			
223R	24	PW	D00821	4		34-16-11	SM00003		W	N2				
223Z			D00821	DED		34-16-11	SM00003	REF		N2				
224	20	UA	D04349J			27-32-21	GDX0004	S..	2	N2	2			
224B	24	PW	D04349J	28		27-32-21	D01381	18		N2	2			
224R	24	PW	D04349J	27		27-32-21	D01381	16		N2				
224Z			D04349J	DED		27-32-21	D01381	DED		N2				
225B	22	PR	D00811	69		31-51-11	SM00060		W	N2	2			
225R	22	PR	D00811	68		31-51-11	SM00060		W	N2				
225Z			D00811	DED		31-51-11	SM00028	REF		N2				
226B	22	PR	D00813	69		31-51-12	SM00061		W	N2	2			
226R	22	PR	D00813	68		31-51-12	SM00061		W	N2				

286T0045-OBG
Wire Bundle Assembly
Figure 145 (Sheet 10)

25-71-02



BOEING
COMPONENT
MAINTENANCE MANUAL

WIRE			FROM EQUIPMENT			TO EQUIPMENT			WIRE INFO				
NUMBER	GA	TYP	NUMBER	TERM	TT	WDM REF	NUMBER	TERM	TT	EMC/SEP	FT	NOTE	EFFECTIVITY
226Z			D00813	DED		31-51-12	SM00030	REF		N2			
230	20	UA	D04347J			31-51-33	GDX0003	S..	2	N2	2		
230B	24	PW	D04347J	18		31-51-33	SM00004		W	N2	1		
230R	24	PW	D04347J	17		31-51-33	SM00003		W	N2			
230Z			D04347J			31-51-33	SM00003	REF		N2			
236	20	UA	D04347J			27-32-11	GDX0001	S..	2	N2	2		
236B	24	PW	D04347J	37		27-32-11	D00823	54		N2	2		
236R	24	PW	D04347J	36		27-32-11	D00823	23		N2			
236Z			D04347J			27-32-11	D00823	DED		N2			
237B	24	PW	D04347J	40		27-32-11	D00823	13		N2	2		
237R	24	PW	D04347J	39		27-32-11	D00823	12		N2			
237Z			D04347J			27-32-11	D00823	DED		N2			
238	20	UA	D04349J			27-32-21	GDX0001	S..	2	N2	2		
238B	24	PW	D04349J	49		27-32-21	D01381	54		N2	2		
238R	24	PW	D04349J	48		27-32-21	D01381	23		N2			
238Z			D04349J			27-32-21	D01381	DED		N2			
239B	24	PW	D01381	20		27-32-21	D04349J	55		N2	2		
239R	24	PW	D01381	19		27-32-21	D04349J	54		N2			
239Z			D01381	DED		27-32-21	D04349J			N2			
240B	24	PL	D04347J	23		31-51-31	SM00080		W	N2	1		
240R	24	PL	D04347J	22		31-51-31	SM00042		W	N2	1		
241B	24	PL	D01487	60		31-51-31	SM00080		W	N2	1		
241R	24	PL	D01487	28		31-51-31	SM00042		W	N2			
242B	24	PL	D00817	60		31-51-32	SM00080		W	N2	1		
242R	24	PL	D00817	28		31-51-32	SM00042		W	N2			
243B	24	PW	D04349J	52		27-32-21	D01381	13		N2	2		
243R	24	PW	D04349J	51		27-32-21	D01381	12		N2			
243Z			D04349J			27-32-21	D01381	DED		N2			
245B	24	PW	D00823	20		27-32-11	D04347J	48		N2	2		
245R	24	PW	D00823	19		27-32-11	D04347J	47		N2			
245Z			D00823	DED		27-32-11	D04347J			N2			

286T0045-OBG
Wire Bundle Assembly
Figure 145 (Sheet 11)

25-71-02

TESTING & TROUBLE SHOOTING
01

Page 198S
Nov 01/02

WIRE			FROM EQUIPMENT				TO EQUIPMENT				WIRE INFO			
NUMBER	GA	TYP	NUMBER	TERM	TT	WDM REF	NUMBER	TERM	TT	EMC/SEP	FT	NOTE	EFFECTIVITY	
247	20	UA	D04349J			31-41-35	GDX0006	S..	2	N2	2			
247B	24	PW	D02261	42		31-41-35	D04349J	57		N2	2			
247R	24	PW	D02261	43		31-41-35	D04349J	56		N2				
247Z			D02261	DED		31-41-35	D04349J			N2				
248	20	UA	D04349J			28-41-11	GDX0006	S..	2	N2	2			
248B	24	PW	D02261	5		28-41-11	D04349J	60		N2	2			
248R	24	PW	D02261	8		28-41-11	D04349J	59		N2				
248Z			D02261	DED		28-41-11	D04349J			N2				
271B	24	PL	D04597J	5		31-51-31	SM00088		W	N2	1			
271R	24	PL	D04597J	2		31-51-31	SM00087		W	N2				
272B	24	PL	D01487	63		31-51-31	SM00088		W	N2	1			
272R	24	PL	D01487	62		31-51-31	SM00087		W	N2				
273B	24	PL	D00817	63		31-51-32	SM00088		W	N2	1			
273R	24	PL	D00817	62		31-51-32	SM00087		W	N2				
290B	24	PW	D04597J	8		34-43-15	SM00104		W	N2	1			
290R	24	PW	D04597J	7		34-43-15	SM00103		W	N2				
290Z			D04597J	9		34-43-15	SM00103	REF		N2				
291B	24	PW	D04303J	5		34-43-15	SM00104		W	N2	1			
291R	24	PW	D04303J	4		34-43-15	SM00103		W	N2				
291Z			D04303J	6		34-43-15	SM00103	REF		N2				
292B	24	PW	D04347J	53		34-43-15	SM00104		W	N2	1			
292R	24	PW	D04347J	51		34-43-15	SM00103		W	N2				
292Z			D04347J	61		34-43-15	SM00103	REF		N2				
301	20	UA	SM00028	REF		31-51-11	GDX0005	S..	2	N2	1			
301B	22	PS	D00811	57		31-51-11	SM00028		W	N2	2			
301R	22	PS	D00811	38		31-51-11	SM00028		W	N2				
301Y	22	PS	D00811	58		31-51-11	SM00028		W	N2				
301Z			D00811	DED		31-51-11	SM00028	REF		N2				
302B	22	PS	D00811	42		31-51-11	SM00029		W	N2	2			
302R	22	PS	D00811	41		31-51-11	SM00029		W	N2				
302Y	22	PS	D00811	43		31-51-11	SM00029		W	N2				

286T0045-OBG
Wire Bundle Assembly
Figure 145 (Sheet 12)

25-71-02



BOEING
COMPONENT
MAINTENANCE MANUAL

WIRE		FROM EQUIPMENT			TO EQUIPMENT			WIRE INFO					
NUMBER	GA	TYP	NUMBER	TERM	TT	WDM REF	NUMBER	TERM	TT	EMC/SEP	FT	NOTE	EFFECTIVITY
302Z			D00811	DED		31-51-11	SM00028	REF		N2			
303B	22	PS	D00811	8		31-51-11	SM00026		W	N2	2		
303R	22	PS	D00811	7		31-51-11	SM00026		W	N2			
303Y	22	PS	D00811	9		31-51-11	SM00026		W	N2			
303Z			D00811	DED		31-51-11	SM00028	REF		N2			
304B	22	PS	D00811	25		31-51-11	SM00027		W	N2	2		
304R	22	PS	D00811	24		31-51-11	SM00027		W	N2			
304Y	22	PS	D00811	37		31-51-11	SM00027		W	N2			
304Z			D00811	DED		31-51-11	SM00028	REF		N2			
305	20	UA	SM00030	REF		31-51-12	GDX0005	S..	2	N2	1		
305B	22	PS	D00813	8		31-51-12	SM00030		W	N2	2		
305R	22	PS	D00813	7		31-51-12	SM00030		W	N2			
305Y	22	PS	D00813	9		31-51-12	SM00030		W	N2			
305Z			D00813	DED		31-51-12	SM00030	REF		N2			
306B	22	PS	D00813	25		31-51-12	SM00031		W	N2	2		
306R	22	PS	D00813	24		31-51-12	SM00031		W	N2			
306Y	22	PS	D00813	37		31-51-12	SM00031		W	N2			
306Z			D00813	DED		31-51-12	SM00030	REF		N2			
307B	22	PS	D00813	57		31-51-12	SM00032		W	N2	2		
307R	22	PS	D00813	38		31-51-12	SM00032		W	N2			
307Y	22	PS	D00813	58		31-51-12	SM00032		W	N2			
307Z			D00813	DED		31-51-12	SM00030	REF		N2			
308B	22	PS	D00813	42		31-51-12	SM00033		W	N2	2		
308R	22	PS	D00813	41		31-51-12	SM00033		W	N2			
308Y	22	PS	D00813	43		31-51-12	SM00033		W	N2			
308Z			D00813	DED		31-51-12	SM00030	REF		N2			
512	24	PK	D02261	20		27-81-31	D04349J	8		N2	2		
601	20	PA	SM00060		W	31-51-11	GDX0004	D..	2	N2			
602	20	PA	SM00061		W	31-51-12	GDX0005	D..	2	N2			
603	24	PV	D04301J	5		31-51-12	M01103	INE	D	N2	1		
603Z			D04301J	DED		31-51-12	M01103			N2			

286T0045-OBG
Wire Bundle Assembly
Figure 145 (Sheet 13)

25-71-02

WIRE			FROM EQUIPMENT				TO EQUIPMENT				WIRE INFO			
NUMBER	GA	TYP	NUMBER	TERM	TT	WDM REF	NUMBER	TERM	TT	EMC/SEP	FT	NOTE	EFFECTIVITY	
604	24	PV	D04301J	4		31-51-12	D00813	4		N2	3			
604Z			D04301J	DED		31-51-12	D00813			N2				
605	24	PV	D00813	1		31-51-12	M01103	OAD	D	N2	3			
605Z			D00813			31-51-12	M01103	DED		N2				
606	24	PV	D04349J	32		31-51-11	M01102	INE	D	N2	1			
606Z			D04349J	DED		31-51-11	M01102			N2				
607	24	PV	D04349J	33		31-51-11	D00811	4		N2	3			
607Z			D04349J	DED		31-51-11	D00811			N2				
608	24	PV	D00811	1		31-51-11	M01102	OAD	D	N2	3			
608Z			D00811			31-51-11	M01102	DED		N2				
610	24	PK	D00823	37		27-32-11	SM00050		W	N2	1			
611	24	PK	D01433	6		31-51-42	D04347J	20		N2	2			
612	24	PK	D01433	4		31-51-42	SM00050		W	N2	1			
613	24	PK	D04349J	30		31-51-31	SM00065		W	N2	1			
614	24	PK	D01487	52		31-51-31	SM00065		W	N2	1			
615	24	PK	D00817	52		31-51-32	SM00065		W	N2	1			
617	24	PK	D01381	11		27-32-12	D00823	56		N2	1			
618	24	PK	D01381	56		27-32-12	D00823	11		N2	1			
619	24	PK	D00823	45		27-32-12	SM00082		W	N2	1			
620	24	PK	D04349J	29		31-51-21	SM00071		W	N2	1			
621	24	PK	D00815	7		31-51-21	SM00071		W	N2	1			
622	24	PK	D01489	2		31-51-33	SM00071		W	N2	1			
623	24	PK	D01489	36		31-51-33	SM00038		W	N2	1			
624	24	PK	D00815	8		31-51-21	SM00045		W	N2	1			
625	24	PK	D01487	9		31-51-31	SM00034		W	N2	1			
628	22	PA	D01487	20		31-51-31	GDX0006	D..	2	N2	2			
629	22	PA	D01487	53		31-51-31	GDX0006	D..	2	N2	2			
630	22	PA	D01487	21		31-51-31	GDX0006	D..	2	N2	2			
631	24	PK	D00817	9		31-51-32	SM00034		W	N2	1			
634	22	PA	D00817	20		31-51-32	GDX0006	D..	2	N2	2			
635	22	PA	D00817	53		31-51-32	GDX0006	D..	2	N2	2			

286T0045-OBG
Wire Bundle Assembly
Figure 145 (Sheet 14)

25-71-02



BOEING
COMPONENT
MAINTENANCE MANUAL

WIRE		FROM EQUIPMENT			TO EQUIPMENT			WIRE INFO					
NUMBER	GA	TYP	NUMBER	TERM	TTF	WDM REF	NUMBER	TERM	TTF	EMC/SEP	FT	NOTE	EFFECTIVITY
636	22	PA	D00817	21		31-51-32	GDX0006	D..	2	N2	2		
644	22	PQ	D00823	66		27-32-31	D04347J	42		N2	2		
644Z			D00823	DED		27-32-31	D04347J	DED		N2			
646	22	PQ	D01381	66		27-32-31	D04349J	42		N2	2		
646Z			D01381	DED		27-32-31	D04349J	DED		N2			
648	24	PK	D04347J	32		34-16-11	D00821	40		N2	2		
649	24	PK	D04347J	33		34-16-11	SM00038		W	N2	1		
681	24	PK	D01433	10		31-51-43	D04507J	10		N2	2		
682	24	PK	D01433	13		31-51-43	D04347J	46		N2	2		
683	22	PA	D01433	41		31-51-43	SM00081		W	N2	1		
684	20	PA	GDX0001	D..	2	31-51-43	D04349J	47		N2	2		
685	24	PK	D00823	58		27-32-12	D01505	A1		N2	2		
686	24	PK	D00823	8		27-32-11	SM00038		W	N2	1		
687	24	PK	D00823	64		27-32-11	SM00081		W	N2	1		
688	24	PK	D01381	58		27-32-22	D01503	A1		N2	2		
689	24	PK	D01381	45		27-32-22	SM00085		W	N2	1		
692	24	PK	D01381	8		27-32-21	SM00038		W	N2	1		
693	24	PK	D04347J	30		31-51-21	D00815			N2	2		
694	22	PA	D04349J	46		31-51-43	SM00081	6		N2	2		
696	20	PA	GDX0003	D..	2	27-32-12	SM00082		W	N2	1		
697	20	PA	GDX0003	D..	2	27-32-22	SM00085		W	N2	1		
701	24	PK	D00815	49		31-51-21	D00815	22		N2			
702	24	PK	D00815	16		31-51-21	D00815	48		N2			
703	24	PK	D00819	6		31-51-41	SM00019		W	N2	1		
704	24	PK	SM00075		W	31-51-41	D04511J	14		N2	1		
705	24	PK	D00819	45		31-51-41	D04511J	12		N2	2		
706	24	PK	D00819	10		31-51-41	D04349J	31		N2	2		
707	24	PK	D00819	21		31-51-41	D04509J	4		N2	2		
708	24	PK	D00819	9		31-51-41	D04349J	7		N2	2		
709	24	PK	D00819	39		31-51-41	SM00044		W	N2	1		
710	24	PK	D00819	43		31-51-41	SM00037		W	N2	1		

286T0045-OBG
Wire Bundle Assembly
Figure 145 (Sheet 15)

25-71-02

TESTING & TROUBLE SHOOTING
01

Page 198W
Nov 01/02

WIRE			FROM EQUIPMENT				TO EQUIPMENT				WIRE INFO			
NUMBER	GA	TYP	NUMBER	TERM	TT	WDM REF	NUMBER	TERM	TT	EMC/SEP	FT	NOTE	EFFECTIVITY	
711	24	PK	D00819	12		31-51-41	D04349J	21		N2	2			
712	24	PK	D00819	53		31-51-41	D04349J	3		N2	2			
713	24	PK	D00819	20		31-51-41	D04347J	9		N2	2			
714	24	PK	D00819	44		31-51-41	D04349J	24		N2	2			
715	24	PK	D04507J	6		31-51-42	SM00019		W	N2	1			
716	24	PK	D01433	34		31-51-42	SM00019		W	N2	1			
717	24	PK	D01433	37		31-51-42	SM00034		W	N2	1			
718	24	PK	D01433	39		31-51-42	D04509J	2		N2	2			
720	24	PK	D01433	52		31-51-42	SM00040		W	N2	1			
721	24	PK	D01433	38		31-51-42	D04347J	24		N2	2			
722	24	PK	D01433	5		31-51-42	D04349J	22		N2	2			
723	24	PK	D04511J	11		31-51-42	SM00038		W	N2	1			
724	24	PK	D01433	40		31-51-42	SM00038		W	N2	1			
725	24	PK	D01433	3		31-51-42	D04347J	13		N2	2			
726	22	PA	D04347J	14		31-51-21	SM00036		W	N2	1			
727	22	PA	D04301J	11		31-51-21	SM00035		W	N2	1			
728	24	PK	D04347J	1		31-51-41	D00819	35		N2	2			
729	24	PK	D04347J	2		31-51-41	D00819	1		N2	2			
730	24	PK	D04347J	3		31-51-41	D00819	36		N2	2			
731	24	PK	D04347J	4		31-51-41	D00819	2		N2	2			
732	24	PK	D04347J	5		31-51-42	D01433	20		N2	2			
733	24	PK	D04347J	16		34-16-11	D00821	65		N2	2			
734	24	PK	D04347J	8		31-51-31	SM00046		W	N2	1			
735	24	PK	D04507J	7		34-16-11	D00821	34		N2	2			
736	24	PK	D04507J	2		34-16-11	D00821	66		N2	2			
737	24	PK	SM00041		W	34-16-11	D00821	31		N2	1			
738	24	PK	D04347J	19		34-16-11	D00821	7		N2	2			
739	24	PK	SM00075		W	34-16-11	D00821	6		N2	1			
741	24	PK	D00821	18		34-16-11	D00821	22		N2	2			
742	24	PK	D00821	50		34-16-11	D00821	48		N2	2			
746	24	PK	D04597J	10		31-51-31	SM00043		W	N2	1			

286T0045-OBG
Wire Bundle Assembly
Figure 145 (Sheet 16)

25-71-02



BOEING
COMPONENT
MAINTENANCE MANUAL

WIRE			FROM EQUIPMENT			TO EQUIPMENT			WIRE INFO				
NUMBER	GA	TYP	NUMBER	TERM	TT	WDM REF	NUMBER	TERM	TT	EMC/SEP	FT	NOTE	EFFECTIVITY
747	24	PK	D01487	46		31-51-31	SM00043		W	N2	1		
748	24	PK	D04347J	7		31-51-31	SM00045		W	N2	1		
749	24	PK	D01487	10		31-51-31	SM00045		W	N2	1		
750	24	PK	D01487	19		31-51-31	SM00046		W	N2	1		
751	24	PK	D01487	13		31-51-31	SM00040		W	N2	1		
752	24	PK	D01487	47		31-51-31	SM00044		W	N2	1		
753	24	PK	D01487	51		31-51-31	SM00041		W	N2	1		
755	24	PV	D01487	1		31-51-31	SM00035		W	N2	1		
755Z			D01487	DED		31-51-31	SM00035	DED		N2			
756	24	PK	D01487	50		31-51-31	SM00036		W	N2	1		
757	24	PK	D01487	49		31-51-31	SM00039		W	N2	1		
758	24	PK	D01487	22		31-51-31	D01489	23		N2	2		
759	24	PK	D01487	55		31-51-31	D01489	47		N2	2		
760	24	PK	D01487	34		31-51-31	D01489	51		N2	2		
761	24	PK	D01487	66		31-51-31	D01489	57		N2	2		
762	24	PK	D00817	10		31-51-32	SM00045		W	N2	1		
763	24	PK	D00817	46		31-51-32	SM00043		W	N2	1		
764	24	PV	D00817	1		31-51-32	SM00035		W	N2	1		
764Z			D00817	DED		31-51-32	SM00035	DED		N2			
765	24	PK	D00817	50		31-51-32	SM00036		W	N2	1		
766	24	PV	D00817	49		31-51-32	SM00053		W	N2	1		
766Z			D00817	DED		31-51-32	SM00053	DED		N2			
767	24	PK	D00817	19		31-51-32	SM00046		W	N2	1		
768	24	PK	D00817	13		31-51-32	SM00040		W	N2	1		
769	24	PK	D00817	47		31-51-32	SM00044		W	N2	1		
770	24	PK	D00817	51		31-51-32	SM00041		W	N2	1		
772	24	PK	D00817	22		31-51-32	D01489	54		N2	2		
773	24	PK	D00817	55		31-51-32	D01489	13		N2	2		
774	24	PK	D00817	34		31-51-32	D01489	25		N2	2		
775	24	PK	D00817	66		31-51-32	D01489	58		N2	2		
776	24	PK	D01489	42		31-51-33	D04347J	15		N2	2		

286T0045-OBG
Wire Bundle Assembly
Figure 145 (Sheet 17)

25-71-02

WIRE			FROM EQUIPMENT			TO EQUIPMENT			WIRE INFO				
NUMBER	GA	TYP	NUMBER	TERM	TT	WDM REF	NUMBER	TERM	TT	EMC/SEP	FT	NOTE	EFFECTIVITY
777	24	PK	D01489	8		31-51-33	D04349J	13		N2	2		
779	24	PK	D01489	35		31-51-33	D04349J	40		N2	2		
780	24	PK	D01489	53		31-51-33	D04349J	2		N2	2		
781	24	PK	D01489	31		31-51-33	D01489	48		N2			
782	24	PK	D01489	18		31-51-33	D01489	22		N2			
783	24	PK	D01489	38		31-51-33	SM00008		W	N2	1		
784	24	PK	D01489	4		31-51-33	SM00011		W	N2	1		
785	24	PK	D01489	37		31-51-33	SM00012		W	N2	1		
786	24	PK	D01489	3		31-51-33	SM00010		W	N2	1		
787	24	PK	D01489	1		31-51-33	SM00009		W	N2	1		
788	24	PK	D01489	6		31-51-33	SM00034		W	N2	1		
789	24	PK	D01489	41		31-51-33	D04509J	11		N2	2		
791	24	PK	D01489	7		31-51-33	D04509J	10		N2	2		
792	24	PK	D01489	40		31-51-33	D04509J	9		N2	2		
793	24	PK	D00819	11		31-51-41	SM00075		W	N2	1		
794	20	PA	D04303J	10		31-51-32	GDX0004	S..	2	N2	2		
795	24	PK	D01433	9		31-51-42	D01433	48		N2			
796	24	PK	D01433	22		31-51-42	D01433	50		N2			
797	24	PV	D00815	41		31-51-21	SM00053		W	N2	1		
797Z			D00815	DED		31-51-21	SM00053	DED		N2			
798	24	PV	D04349J	9		31-51-21	SM00053		W	N2	1		
798Z			D04349J	DED		31-51-21	SM00053	DED		N2			
817	24	PK	D00823	55		27-32-12	D11553	6		N2	2		
818	24	PK	D00823	21		27-32-12	D11553	4		N2	2		
819	24	PK	D00823	51		27-32-12	D11553	3		N2	2		
820	24	PK	D00823	50		27-32-12	D11553	2		N2	2		
821	24	PK	D00823	49		27-32-12	D11553	7		N2	2		
822	24	PK	D00823	47		27-32-12	D11553	8		N2	2		
823	24	PK	D00823	46		27-32-12	D11553	9		N2	2		
824	24	PK	D00823	53		27-32-12	D11553	5		N2	2		
825	24	PK	D00823	62		27-32-12	D11553	24		N2	2		

286T0045-OBG
Wire Bundle Assembly
Figure 145 (Sheet 18)

25-71-02



BOEING
COMPONENT
MAINTENANCE MANUAL

WIRE			FROM EQUIPMENT			TO EQUIPMENT			WIRE INFO				
NUMBER	GA	TYP	NUMBER	TERM	TT	WDM REF	NUMBER	TERM	TT	EMC/ SEP	FT	NOTE	EFFECTIVITY
826	24	PK	D01381	55		27-32-22	D11553	16		N2	2		
827	24	PK	D01381	21		27-32-22	D11553	14		N2	2		
828	24	PK	D01381	51		27-32-22	D11553	13		N2	2		
829	24	PK	D01381	50		27-32-22	D11553	12		N2	2		
830	24	PK	D01381	49		27-32-22	D11553	17		N2	2		
831	24	PK	D01381	47		27-32-22	D11553	18		N2	2		
832	24	PK	D01381	46		27-32-22	D11553	19		N2	2		
833	24	PK	D01381	53		27-32-22	D11553	15		N2	2		
834	24	PK	D01381	62		27-32-22	D11553	34		N2	2		
835	24	PK	D04349J	50		27-32-21	D01381	64		N2	2		
836	20	PA	D04349J	53		27-32-21	GDX0002	S..	2	N2	2		
837	24	PK	D00823	42		27-32-12	SMO0082		W	N2	1		
838	24	PK	D01381	42		27-32-22	SMO0085		W	N2	1		
842	22	PA	D01381	6		27-32-22	SMO0085		W	N2	2	ZSZ-B6	
843	22	PA	D00823	6		27-32-12	SMO0082		W	N2	2	ZSZ-B6	
862	22	PA	D02261	30		31-41-35	GDX0006	S..	2	N2	1		
863	22	PA	D02261	32		31-41-35	GDX0006	S..	2	N2	1		
864	22	PA	D02261	33		31-41-35	GDX0006	S..	2	N2	1		
865	22	PA	D02261	64		31-41-35	GDX0006	S..	2	N2	1		
866	24	PV	D02261	27		31-51-11	SMO0018		W	N2	1		
866Z			D02261	DED		31-51-11	SMO0018	REF		N2			
867	24	PV	D02261	28		31-51-11	SMO0047		W	N2	1		
867Z			D02261	DED		31-51-11	SMO0047	REF		N2			
868	24	PV	D02261	29		31-51-12	SMO0054		W	N2	1		
868Z			D02261	DED		31-51-12	SMO0054	REF		N2			
869	24	PK	D02261	34		31-51-12	SMO0025		W	N2	1		
870	22	PA	D02261	56		31-51-12	GDX0001	S..	2	N2	2		
871	22	PA	D02261	57		31-51-12	GDX0003	S..	2	N2	2		
872	22	PA	D02261	59		31-51-11	GDX0005	S..	2	N2	1		
873	24	PV	D02261	60		31-51-12	SMO0055		W	N2	1		
873Z			D02261	DED		31-51-12	SMO0055	REF		N2			

286T0045-OBG
Wire Bundle Assembly
Figure 145 (Sheet 19)

25-71-02

WIRE			FROM EQUIPMENT			TO EQUIPMENT			WIRE INFO				
NUMBER	GA	TYP	NUMBER	TERM	TT	WDM REF	NUMBER	TERM	TT	EMC/ SEP	FT	NOTE	EFFECTIVITY
874	24	PV	D02261	62		31-51-11	SM00049		W	N2	1		
874Z			D02261	DED		31-51-11	SM00049	REF		N2			
875	24	PV	D02261	63		31-51-12	SM00056		W	N2	1		
875Z			D02261	DED		31-51-12	SM00056	REF		N2			
876	24	PK	D02261	65		31-51-11	SM00022		W	N2	1		
877	24	PV	D00811	14		31-51-11	SM00018		W	N2	2		
877Z			D00811	DED		31-51-11	SM00018	REF		N2			
878	24	PV	D00811	48		31-51-11	SM00047		W	N2	2		
878Z			D00811	DED		31-51-11	SM00047	REF		N2			
879	24	PV	D00811	23		31-51-11	SM00049		W	N2	2		
879Z			D00811	DED		31-51-11	SM00049	REF		N2			
880	24	PV	D00813	14		31-51-12	SM00054		W	N2	2		
880Z			D00813	DED		31-51-12	SM00054	REF		N2			
881	24	PV	D00813	48		31-51-12	SM00055		W	N2	2		
881Z			D00813	DED		31-51-12	SM00055	REF		N2			
882	24	PV	D00813	23		31-51-12	SM00056		W	N2	2		
882Z			D00813	DED		31-51-12	SM00056	REF		N2			
883	22	PA	D02261	15		38-32-11	D04349J	26		N2	2		
884	22	PA	D02261	47		38-32-11	D04347J	27		N2	2		
885	24	PK	D04303J	9		31-51-21	SM00057		W	N2	1		
886	24	PK	D04507J	3		31-51-21	SM00058		W	N2	1		
887	24	PK	D04507J	1		31-51-21	SM00058		W	N2	1		
888	24	PK	SM00057		W	31-51-21	D04349J	44		N2	1		

286T0045-0BG
Wire Bundle Assembly
Figure 145 (Sheet 20)

25-71-02



BOEING
COMPONENT
MAINTENANCE MANUAL

WIRE			FROM EQUIPMENT			TO EQUIPMENT			WIRE INFO				
NUMBER	GA	TYP	NUMBER	TERM	TT	WDM REF	NUMBER	TERM	TT	EMC/SEP	FT	NOTE	EFFECTIVITY
FRA			M01103			31-51-12	M01103	GND	D	N2			
FRB			D00813			31-51-12	D00813	59		N2			
FRC			M01102			31-51-11	M01102	GND	D	N2			
FRD			D00811			31-51-11	D00811	59		N2			
FRG			D04349J	58		31-41-35	D04349J			N2			
FRH			D04349J	61		28-41-11	D04349J			N2			
PA1			D00815	47		99-99-99	D00815	63		N2		DAW-B2	
PA2			D00817	8		99-99-99	D00817	57		N2		DAW-B2	
PA3			D00819	41		99-99-99	D00819	55		N2		DAW-B2	
PA4			D00821	43		99-99-99	D00821	60		N2		DAW-B2	
PA5			D00823	52		99-99-99	D00823	65		N2		DAW-B2	
PA6			D01433	44		99-99-99	D01433	61		N2		DAW-B2	
PA7			D01381	52		99-99-99	D01381	65		N2		DAW-B2	
PA8			D01487	8		99-99-99	D01487	57		N2		DAW-B2	
PA9			D01489	56		99-99-99	D01489	65		N2		DAW-B2	
PB4			D02261	54		99-99-99	D02261	61		N2		DAW-B2	
P01		SE	D11553							N2			
1	22	PA	D00811	60		31-51-11	GDX0001	S..	2	N2	3		
2	22	PA	D00821	14		31-51-11	GDX0002	D..	2	N2	2		
3	24	PV	D00811	26		31-51-11	D00821	27		N2	3		
003Z			D00811	DED		31-51-11	D00821			N2			
4	24	PV	D00811	49		31-51-11	D00821	32		N2	3		
004Z			D00811	DED		31-51-11	D00821			N2			
5	24	PV	D00811	35		31-51-11	D00821	17		N2	3		
005Z			D00811	DED		31-51-11	D00821			N2			
6	24	PK	SM00022		W	31-51-11	D00821	51		N2	1		
7	24	PK	D00811	65		31-51-11	SM00022		W	N2	2		
8	24	PK	D00819	37		31-51-11	SM00022		W	N2	1		
9	24	PV	D00819	27		31-51-11	D00811	13		N2	3		
009Z			D00811	DED		31-51-11	D00819			N2			
10	22	PA	D00819	14		31-51-11	GDX0001	D..	2	N2	2		

286T0045-OBH
Wire Bundle Assembly
Figure 146 (Sheet 1)

25-71-02

WIRE		FROM EQUIPMENT			TO EQUIPMENT			WIRE INFO					
NUMBER	GA	TYP	NUMBER	TERM	TT	WDM REF	NUMBER	TERM	TT	EMC/SEP	FT	NOTE	EFFECTIVITY
11	24	PK	D01433	51		31-51-11	SM00022		W	N2	1		
12	24	PV	SM00018		W	31-51-11	D01433	27		N2	1		
012Z			SM00018	REF		31-51-11	D01433			N2			
13	24	PV	SM00047		W	31-51-11	D01433	32		N2	1		
013Z			SM00047	REF		31-51-11	D01433			N2			
14	24	PV	SM00049		W	31-51-11	D01433	17		N2	1		
014Z			SM00049	REF		31-51-11	D01433			N2			
15	22	PA	D01433	14		31-51-11	GDX0001	D..	2	N2	2		
16	20	PA	SM00028		W	31-51-11	GDX0005	D..	2	N2	2		
17	20	UA	GDX0002	S..	2	31-51-11	D00821			N2	2		
18	20	UA	GDX0005	S..	2	31-51-11	D00819			N2	2		
19	20	UA	D01433			31-51-11	GDX0002	S..	2	N2	2		
20	20	PA	GDX0005	D..	2	31-51-11	SM00029		W	N2	2		
21	20	UA	GDX0002	S..	2	31-51-11	D01503			N2	2		
23	20	UA	D00815			31-51-11	GDX0002	S..	2	N2	2		
24	24	PK	D04349J	38		31-51-11	SM00005		W	N2	1		
25	24	PK	D01503	A2		31-51-11	SM00005		W	N2	1		
26	20	PA	D01503	A3		31-51-11	GDX0003	D..	2	N2	2		
27	22	PQ	D01503	X2		31-51-11	D00811	75		N2	4		
027Z			D00811	DED		31-51-11	D01503			N2			
28	24	PV	D01503	X1		31-51-11	SM00015		W	N2	1		
028Z			SM00015	REF		31-51-11	D01503			N2			
29	24	PV	D00811	46		31-51-11	SM00015		W	N2	2		
029Z			SM00015	REF		31-51-11	D00811	DED		N2			
30	24	PK	SM00015		W	31-51-11	D11553	35		N2	1		
32	20	PA	D11553	11		31-51-11	GDX0003	D..	2	N2	2		
33	24	PK	D11553	37		31-51-11	D00811	34		N2	4		
34	24	PK	D11553	36		31-51-11	D00811	33		N2	4		
35	22	PA	D00815	14		31-51-11	GDX0001	D..	2	N2	2		
36	24	PV	D00815	27		31-51-11	D00811	12		N2	3		
036Z			D00811	DED		31-51-11	D00815			N2			

286T0045-0BH
Wire Bundle Assembly
Figure 146 (Sheet 2)

25-71-02



BOEING
COMPONENT
MAINTENANCE MANUAL

WIRE		FROM EQUIPMENT			TO EQUIPMENT			WIRE INFO					
NUMBER	GA	TYP	NUMBER	TERM	TT	WDM REF	NUMBER	TERM	TT	EMC/SEP	FT	NOTE	EFFECTIVITY
37	24	PV	D00815	32		31-51-11	D00811	17		N2	3		
037Z			D00811	DED		31-51-11	D00815			N2			
38	24	PV	D00815	17		31-51-11	D00811	22		N2	3		
038Z			D00811	DED		31-51-11	D00815			N2			
39	24	PK	D00815	54		31-51-11	SM00020		W	N2	1		
40	24	PK	D00811	63		31-51-11	SM00020		W	N2	2		
41	24	PK	D00823	35		31-51-11	SM00020		W	N2	1		
42	24	PK	D01381	35		31-51-11	SM00020		W	N2	1		
45	22	PA	D01381	14		31-51-11	GDX0001	D..	2	N2	2		
46	22	PA	D01381	48		31-51-11	GDX0003	D..	2	N2	2		
47	24	PV	D01381	27		31-51-11	D00811	11		N2	3		
047Z			D00811	DED		31-51-11	D01381			N2			
48	24	PV	D01381	32		31-51-11	D00811	16		N2	3		
048Z			D00811	DED		31-51-11	D01381			N2			
49	24	PV	D01381	17		31-51-11	D00811	21		N2	3		
049Z			D00811	DED		31-51-11	D01381			N2			
52	22	PA	D00823	14		31-51-11	GDX0001	D..	2	N2	2		
53	22	PA	D00823	48		31-51-11	GDX0003	D..	2	N2	2		
54	24	PV	D00823	27		31-51-11	D00811	10		N2	3		
054Z			D00811	DED		31-51-11	D00823			N2			
55	24	PV	D00823	32		31-51-11	D00811	15		N2	3		
055Z			D00811	DED		31-51-11	D00823			N2			
56	24	PV	D00823	17		31-51-11	D00811	20		N2	3		
056Z			D00811	DED		31-51-11	D00823			N2			
57	22	PA	D00817	14		31-51-11	GDX0002	D..	2	N2	2		
58	24	PV	D00817	27		31-51-11	D00811	51		N2	3		
058Z			D00811	DED		31-51-11	D00817			N2			
59	24	PV	D00817	32		31-51-11	D00811	74		N2	3		
059Z			D00811	DED		31-51-11	D00817			N2			
60	24	PK	D00817	45		31-51-11	SM00021		W	N2	1		
61	24	PK	D00811	64		31-51-11	SM00021		W	N2	2		

286T0045-OBH
Wire Bundle Assembly
Figure 146 (Sheet 3)

25-71-02

WIRE			FROM EQUIPMENT			TO EQUIPMENT			WIRE INFO				
NUMBER	GA	TYP	NUMBER	TERM	TT	WDM REF	NUMBER	TERM	TT	EMC/SEP	FT	NOTE	EFFECTIVITY
62	24	PK	D01489	16		31-51-11	SM00021		W	N2	1		
63	24	PK	D01487	45		31-51-11	SM00021		W	N2	1		
64	24	PV	D01487	27		31-51-11	D00811	47		N2	3		
064Z			D00811	DED		31-51-11	D01487			N2			
65	24	PV	D01487	32		31-51-11	D00811	70		N2	3		
065Z			D00811	DED		31-51-11	D01487			N2			
66	22	PA	D01487	14		31-51-11	GDX0003	D..	2	N2	2		
67	24	PV	D01489	27		31-51-11	D00811	45		N2	3		
067Z			D00811	DED		31-51-11	D01489			N2			
68	24	PV	D01489	32		31-51-11	D00811	50		N2	3		
068Z			D00811	DED		31-51-11	D01489			N2			
69	24	PV	D01489	17		31-51-11	D00811	36		N2	3		
069Z			D00811	DED		31-51-11	D01489			N2			
70	22	PA	D01489	14		31-51-11	GDX0003	D..	2	N2	2		
71	20	UA	D01381			31-51-11	GDX0002	S..	2	N2	2		
72	20	UA	D00823			31-51-11	GDX0002	S..	2	N2	2		
73	20	UA	D00817			31-51-11	GDX0002	S..	2	N2	2		
74	20	PA	SM00026		W	31-51-11	GDX0005	D..	2	N2	2		
75	20	UA	D01487			31-51-11	GDX0005	S..	2	N2	2		
76	20	UA	GDX0005	S..	2	31-51-11	D01489			N2	2		
77	24	PK	D02261	40		31-41-35	D04349J	1		N2	2		
78	20	PA	SM00027		W	31-51-11	GDX0005	D..	2	N2	2		
79	22	PA	D00813	60		31-51-12	GDX0003	S..	2	N2	3		
80	22	PA	D00821	15		31-51-12	GDX0002	D..	2	N2	2		
81	24	PV	D00821	30		31-51-12	D00813	26		N2	3		
081Z			D00813	DED		31-51-12	D00821			N2			
82	24	PV	D00821	33		31-51-12	D00813	49		N2	3		
082Z			D00813	DED		31-51-12	D00821			N2			
83	24	PV	D00821	24		31-51-12	D00813	35		N2	3		
083Z			D00813	DED		31-51-12	D00821			N2			
84	24	PK	D00821	19		31-51-12	SM00025		W	N2	1		

286T0045-OBH
Wire Bundle Assembly
Figure 146 (Sheet 4)

25-71-02



BOEING
COMPONENT
MAINTENANCE MANUAL

WIRE		FROM EQUIPMENT			TO EQUIPMENT			WIRE INFO					
NUMBER	GA	TYP	NUMBER	TERM	TT	WDM REF	NUMBER	TERM	TT	EMC/SEP	FT	NOTE	EFFECTIVITY
85	24	PK	D00813	65		31-51-12	SM00025		W	N2	2		
86	24	PK	D00819	3		31-51-12	SM00025		W	N2	1		
87	24	PK	D01433	18		31-51-12	SM00025		W	N2	1		
88	22	PA	D01433	15		31-51-12	GDX0002	D..	2	N2	2		
89	24	PV	D01433	30		31-51-12	SM00054		W	N2	1		
089Z			SM00054	REF		31-51-12	D01433		W	N2	1		
90	24	PV	D01433	33		31-51-12	SM00055		W	N2	1		
090Z			SM00055	REF		31-51-12	D01433		W	N2	1		
91	24	PV	D01433	24		31-51-12	SM00056		W	N2	1		
091Z			SM00056	REF		31-51-12	D01433		W	N2	1		
92	22	PA	D00819	15		31-51-12	GDX0002	D..	2	N2	2		
93	24	PV	D00819	30		31-51-12	D00813	13		N2	3		
093Z			D00813	DED		31-51-12	D00819			N2			
94	20	PA	SM00032		W	31-51-12	GDX0005	D..	2	N2			
95	24	PV	D01505	X2		31-51-12	D00813	75		N2	3		
095Z			D00813	DED		31-51-12	D01505			N2			
96	24	PV	D01505	X1		31-51-12	SM00016		W	N2	1		
096Z			SM00016	REF		31-51-12	D01505			N2			
97	24	PV	D00813	46		31-51-12	SM00016		W	N2	2		
097Z			SM00016	REF		31-51-12	D00813	DED		N2			
98	20	PA	SM00033		W	31-51-12	GDX0005	D..	2	N2			
99	24	PK	SM00016		W	31-51-12	D11553	25		N2	1		
10A	24	PK	D01489	21		31-51-33	D04349J	23		N2	2		
100	20	PA	D11553	1		31-51-12	GDX0003	D..	2	N2	2		
101	20	UA	D00821			31-51-12	GDX0004	S..	2	N2	2		
102	20	UA	D00819			31-51-12	GDX0004	S..	2	N2	2		
103	20	UA	D01433			31-51-12	GDX0004	S..	2	N2	2		
104	20	UA	D01505			31-51-12	GDX0005	S..	2	N2	2		
106	20	UA	D00815			31-51-12	GDX0004	S..	2	N2	2		
107	20	UA	D01381			31-51-12	GDX0004	S..	2	N2	2		
109	20	UA	D00817			31-51-12	GDX0004	S..	2	N2	2		

286T0045-OBH
Wire Bundle Assembly
Figure 146 (Sheet 5)

25-71-02

WIRE			FROM EQUIPMENT			TO EQUIPMENT			WIRE INFO				
NUMBER	GA	TYP	NUMBER	TERM	TT	WDM REF	NUMBER	TERM	TT	EMC/SEP	FT	NOTE	EFFECTIVITY
110	20	UA	D01487			31-51-12	GDX0001	S..	2	N2	2		
111	20	UA	D01489			31-51-12	GDX0001	S..	2	N2	2		
112	22	PA	D00815	15		31-51-12	GDX0001	D..	2	N2	2		
113	24	PK	D01505	A2		31-51-12	SM00005		W	N2	1		
114	20	PA	D01505	A3		31-51-12	GDX0003	D..	2	N2	2		
115	24	PK	D02261	21		21-61-51	D04347J	25	2	N2	2		
116	24	PK	D00815	21		31-51-12	SM00023		W	N2	1		
117	24	PK	D00813	63		31-51-12	SM00023		W	N2	2		
118	24	PK	D00823	1		31-51-12	SM00023		W	N2	1		
119	24	PK	D01381	1		31-51-12	SM00023		W	N2	1		
120	22	PA	D01381	15		31-51-12	GDX0001	D..	2	N2	2		
121	24	PK	D00817	56		31-51-12	SM00024		W	N2	1		
122	24	PK	D00813	64		31-51-12	SM00024		W	N2	2		
123	24	PK	D01487	56		31-51-12	SM00024		W	N2	1		
124	22	PA	D00823	15		31-51-12	GDX0001	D..	2	N2	2		
125	20	UA	D00823			31-51-12	GDX0004	S..	2	N2	2		
126	24	PV	D00823	33		31-51-12	D00813	15		N2	3		
126Z			D00823			31-51-12	D00813	DED		N2			
127	24	PV	D00823	24		31-51-12	D00813	20		N2	3		
127Z			D00823			31-51-12	D00813	DED		N2			
128	22	PA	D00817	15		31-51-12	GDX0002	D..	2	N2	2		
129	24	PV	D00817	30		31-51-12	D00813	51		N2	3		
129Z			D00817			31-51-12	D00813	DED		N2			
130	24	PV	D00817	33		31-51-12	D00813	74		N2	3		
130Z			D00817			31-51-12	D00813	DED		N2			
131	24	PV	D00813	11		31-51-12	D01381	30		N2	3		
131Z			D01381			31-51-12	D00813	DED		N2			
132	24	PV	D00813	16		31-51-12	D01381	33		N2	3		
132Z			D01381			31-51-12	D00813	DED		N2			
133	24	PV	D01381	24		31-51-12	D00813	21		N2	3		
133Z			D01381			31-51-12	D00813	DED		N2			

286T0045-0BH
Wire Bundle Assembly
Figure 146 (Sheet 6)

25-71-02



BOEING
COMPONENT
MAINTENANCE MANUAL

WIRE		FROM EQUIPMENT			TO EQUIPMENT			WIRE INFO					
NUMBER	GA	TYP	NUMBER	TERM	TT	WDM REF	NUMBER	TERM	TT	EMC/SEP	FT	NOTE	EFFECTIVITY
134	24	PK	D01489	50		31-51-12	SM00024		W	N2	1		
135	24	PV	D01487	30		31-51-12	D00813	47		N2	3		
135Z			D01487			31-51-12	D00813	DED		N2			
136	24	PV	D01487	33		31-51-12	D00813	70		N2	3		
136Z			D01487			31-51-12	D00813	DED		N2			
137	22	PA	D01487	15		31-51-12	GDX0003	D..	2	N2	2		
138	24	PV	D01489	30		31-51-12	D00813	45		N2	3		
138Z			D01489			31-51-12	D00813	DED		N2			
139	24	PV	D01489	33		31-51-12	D00813	50		N2	3		
139Z			D01489			31-51-12	D00813	DED		N2			
140	24	PV	D01489	24		31-51-12	D00813	36		N2	3		
140Z			D01489			31-51-12	D00813	DED		N2			
141	22	PA	D01489	15		31-51-12	GDX0003	D..	2	N2	2		
142	24	PK	D00813	33		31-51-12	D11553	26		N2	3		
143	24	PK	D11553	27		31-51-12	D00813	34		N2	3		
144	24	PV	D00813	12		31-51-12	D00815	30		N2	3		
144Z			D00813	DED		31-51-12	D00815			N2			
145	20	PA	SM00030		W	31-51-12	GDX0005	D..	2	N2			
146	24	PV	D00813	17		31-51-12	D00815	33		N2	3		
146Z			D00813	DED		31-51-12	D00815			N2			
147	24	PV	D00813	22		31-51-12	D00815	24		N2	3		
147Z			D00813	DED		31-51-12	D00815			N2			
148	24	PV	D00813	10		31-51-12	D00823	30		N2	3		
148Z			D00813	DED		31-51-12	D00823			N2			
149	20	PA	SM00031		W	31-51-12	GDX0005	D..	2	N2			
150	22	PA	D04301J	6		27-32-11	D00823	34		N2	2		
151	24	PK	D04509J	1		27-32-11	D00823	39		N2	2		
152	24	PK	D04347J	26		27-32-11	D00823	40		N2	2		
153	24	PK	D00823	31		27-32-11	D04509J	6		N2	2		
154	20	PA	D04509J	7		27-32-11	GDX0001	D..	2	N2	2		
155	24	PK	SM00037		W	27-32-11	D04511J	3		N2	1		

286T0045-OBH
Wire Bundle Assembly
Figure 146 (Sheet 7)

25-71-02

TESTING & TROUBLE SHOOTING

01

Page 200G

Nov 01/02

WIRE			FROM EQUIPMENT			TO EQUIPMENT			WIRE INFO				
NUMBER	GA	TYP	NUMBER	TERM	TT	WDM REF	NUMBER	TERM	TT	EMC/SEP	FT	NOTE	EFFECTIVITY
156	24	PK	D00823	38		27-32-11	D04511J	2		N2	2		
157	24	PK	D04511J	4		27-32-11	SM00050		W	N2	1	PAJ-F2	
158	24	PK	SM00037		W	27-32-11	D00823	4		N2	1		
159	24	PK	D04349J	14		27-32-11	D00823	36		N2	1		
160	24	PK	D04349J	15		27-32-11	D00823	3		N2	1		
161	24	PK	D04349J	16		27-32-11	D00823	43		N2	1		
162	24	PK	D04349J	10		27-32-11	D00823	2		N2	1		
165	22	PA	D04349J	11		27-32-21	D01381	34		N2	2		
166	24	PK	D01381	40		27-32-21	D04349J	6		N2	2		
167	24	PK	D01381	31		27-32-21	D04511J	7		N2	2		
168	20	PA	GDX0002	D..	2	27-32-21	D04511J	8		N2	2		
169	24	PK	D04349J	34		27-32-21	D01381	36		N2	2		
170	24	PK	D04349J	35		27-32-21	D01381	3		N2	2		
171	24	PK	D04349J	36		27-32-21	D01381	43		N2	2		
172	24	PK	D04349J	37		27-32-21	D01381	2		N2	2		
173	24	PK	D04511J	13		27-32-21	D01381	4		N2	2		
174	24	PK	D04511J	16		27-32-21	D01381	37		N2	2		
175	24	PK	D04511J	15		27-32-21	D01381	38		N2	2		
176	24	PK	D04509J	8		27-32-21	D01381	39		N2	2		
177	24	PK	D00815	34		31-51-21	SM00057		W	N2	1		
178	24	PK	D00815	43		31-51-21	D01433	19		N2	2		
179	24	PK	D00815	10		31-51-21	D00819	5		N2	2		
180	24	PK	D04507J	5		31-51-21	SM00034		W	N2	1		
181	24	PK	SM00058		W	31-51-21	D00815	66		N2	1		
182	24	PK	D00815	4		31-51-21	D00815		W	N2	1		
183	24	PK	D00815	11		31-51-21	D04349J	39		N2	2		
184	22	PA	D00815	37		31-51-21	SM00035		W	N2	1		
185	22	PA	D00815	42		31-51-21	SM00036		W	N2	1		
186	24	PK	D04349J	5		31-51-21	SM00012		W	N2	1		
187	24	PK	D00815	2		31-51-21	SM00012		W	N2	1		
188	24	PK	SM00011		W	31-51-21	D04349J	4		N2	1		

286T0045-OBH
Wire Bundle Assembly
Figure 146 (Sheet 8)

25-71-02



BOEING
COMPONENT
MAINTENANCE MANUAL

WIRE			FROM EQUIPMENT			TO EQUIPMENT			WIRE INFO				
NUMBER	GA	TYP	NUMBER	TERM	TT	WDM REF	NUMBER	TERM	TT	EMC/SEP	FT	NOTE	EFFECTIVITY
189	24	PK	SM00011		W	31-51-21	D00815	35		N2	1		
190	24	PK	D04349J	12		31-51-21	SM00009		W	N2	1		
191	24	PK	D00815	44		31-51-21	SM00009		W	N2	1		
192	24	PK	D04347J	10		31-51-21	SM00008		W	N2	1		
193	24	PK	D00815	1		31-51-21	SM00008		W	N2	1		
194	24	PK	D04347J	11		31-51-21	SM00010		W	N2	1		
195	24	PK	D00815	36		31-51-21	SM00010		W	N2	1		
196	24	PK	SM00039		W	31-51-21	D04347J	21		N2	1		
197	24	PK	D00815	45		31-51-21	SM00039		W	N2	1		
198	24	PK	D00815	46		31-51-21	D04347J	6		N2	2		
199	20	PA	GDX0004	S..	2	31-51-31	D04597J	14		N2	2		
201B	24	PW	D01489	43		31-51-33	SM00004		W	N2	1		
201R	24	PW	D01489	9		31-51-33	SM00003		W	N2			
201Z			D01489	DED		31-51-33	SM00003	REF		N2			
204	20	UA	D04507J			27-32-11	GDX0004	S..	2	N2	2		
204B	24	PW	D00823	18		27-32-11	D04507J	12		N2	1		
204R	24	PW	D00823	16		27-32-11	D04507J	11		N2			
204Z			D04507J			27-32-11	D00823	DED		N2			
205B	24	PW	D00815	19		31-51-21	SM00007		W	N2	1		
205R	24	PW	D00815	52		31-51-21	SM00006		W	N2			
205Z			D00815	DED		31-51-21	SM00006	REF		N2			
207	20	UA	D04597J			31-51-21	GDX0004	S..	2	N2	2		
207B	24	PW	SM00007		W	31-51-21	D04597J	4		N2	1		
207R	24	PW	SM00006		W	31-51-21	D04597J	3		N2			
207Z			SM00006	REF		31-51-21	D04597J			N2			
208	20	UA	D04301J			34-16-11	GDX0002	S..	2	N2	2		
208B	24	PW	D00821	36		34-16-11	D04301J	9		N2	2		
208R	24	PW	D00821	2		34-16-11	D04301J	8		N2			
208Z			D00821	DED		34-16-11	D04301J			N2			
209B	24	PW	D01489	46		31-51-33	SM00007		W	N2	1		
209R	24	PW	D01489	12		31-51-33	SM00006		W	N2			

286T0045-OBH
Wire Bundle Assembly
Figure 146 (Sheet 9)

25-71-02

TESTING & TROUBLE SHOOTING

01

Page 2001

Nov 01/02

WIRE			FROM EQUIPMENT				TO EQUIPMENT				WIRE INFO			
NUMBER	GA	TYP	NUMBER	TERM	TT	WDM REF	NUMBER	TERM	TT	EMC/SEP	FT	NOTE	EFFECTIVITY	
209Z			D01489	DED		31-51-33	SM00006	REF		N2				
212B	24	PW	D01433	36		31-51-42	SM00007		W	N2	1			
212R	24	PW	D01433	2		31-51-42	SM00006		W	N2				
212Z			D01433	DED		31-51-42	SM00006	REF		N2				
213	20	UA	D04507J			34-16-11	GDX0004	S..	2	N2	2			
213B	24	PW	D00821	35		34-16-11	D04507J	8		N2	2			
213R	24	PW	D00821	1		34-16-11	D04507J	9		N2				
213Z			D00821	DED		34-16-11	D04507J			N2				
214	20	UA	D04349J			34-16-11	GDX0004	S..	2	N2	2			
214B	24	PW	D00821	37		34-16-11	D04349J	19		N2	2			
214R	24	PW	D00821	3		34-16-11	D04349J	18		N2				
214Z			D00821	DED		34-16-11	D04349J			N2				
215B	24	PL	D01487	24		31-51-31	D04597J	12		N2	2			
215R	24	PL	D01487	23		31-51-31	D04597J	13		N2				
216B	24	PL	D00817	24		31-51-32	D04303J	12		N2	2			
216R	24	PL	D00817	23		31-51-32	D04303J	11		N2				
221B	24	PW	D01489	45		31-51-33	SM00004		W	N2	1			
221R	24	PW	D01489	11		31-51-33	SM00003		W	N2				
221Z			D01489	DED		31-51-33	SM00003	REF		N2				
223B	24	PW	D00821	38		34-16-11	SM00004		W	N2	1			
223R	24	PW	D00821	4		34-16-11	SM00003		W	N2				
223Z			D00821	DED		34-16-11	SM00003	REF		N2				
224	20	UA	D04349J			27-32-21	GDX0004	S..	2	N2	2			
224B	24	PW	D04349J	28		27-32-21	D01381	18		N2	2			
224R	24	PW	D04349J	27		27-32-21	D01381	16		N2				
224Z			D04349J			27-32-21	D01381	DED		N2				
225B	22	PR	D00811	69		31-51-11	SM00060		W	N2	2			
225R	22	PR	D00811	68		31-51-11	SM00060		W	N2				
225Z			D00811	DED		31-51-11	SM00028	REF		N2				
226B	22	PR	D00813	69		31-51-12	SM00061		W	N2	2			
226R	22	PR	D00813	68		31-51-12	SM00061		W	N2				

286T0045-0BH
Wire Bundle Assembly
Figure 146 (Sheet 10)

25-71-02



BOEING
COMPONENT
MAINTENANCE MANUAL

WIRE		FROM EQUIPMENT			TO EQUIPMENT			WIRE INFO					
NUMBER	GA	TYP	NUMBER	TERM	TT	WDM REF	NUMBER	TERM	TT	EMC/SEP	FT	NOTE	EFFECTIVITY
226Z			D00813	DED		31-51-12	SM00030	REF		N2			
230	20	UA	D04347J			31-51-33	GDX0003	S..	2	N2	2		
230B	24	PW	D04347J	18		31-51-33	SM00004		W	N2	1		
230R	24	PW	D04347J	17		31-51-33	SM00003		W	N2			
230Z			D04347J			31-51-33	SM00003	REF		N2			
236	20	UA	D04347J			27-32-11	GDX0001	S..	2	N2	2		
236B	24	PW	D04347J	37		27-32-11	D00823	54		N2	2		
236R	24	PW	D04347J	36		27-32-11	D00823	23		N2			
236Z			D04347J			27-32-11	D00823	DED		N2			
237B	24	PW	D04347J	40		27-32-11	D00823	13		N2	2		
237R	24	PW	D04347J	39		27-32-11	D00823	12		N2			
237Z			D04347J			27-32-11	D00823	DED		N2			
238	20	UA	D04349J			27-32-21	GDX0001	S..	2	N2	2		
238B	24	PW	D04349J	49		27-32-21	D01381	54		N2	2		
238R	24	PW	D04349J	48		27-32-21	D01381	23		N2			
238Z			D04349J			27-32-21	D01381	DED		N2			
239B	24	PW	D01381	20		27-32-21	D04349J	55		N2	2		
239R	24	PW	D01381	19		27-32-21	D04349J	54		N2			
239Z			D01381	DED		27-32-21	D04349J			N2			
240B	24	PL	D04347J	23		31-51-31	SM00080		W	N2	1		
240R	24	PL	D04347J	22		31-51-31	SM00042		W	N2			
241B	24	PL	D01487	60		31-51-31	SM00080		W	N2	1		
241R	24	PL	D01487	28		31-51-31	SM00042		W	N2			
242B	24	PL	D00817	60		31-51-32	SM00080		W	N2	1		
242R	24	PL	D00817	28		31-51-32	SM00042		W	N2			
243B	24	PW	D04349J	52		27-32-21	D01381	13		N2	2		
243R	24	PW	D04349J	51		27-32-21	D01381	12		N2			
243Z			D04349J			27-32-21	D01381	DED		N2			
245B	24	PW	D00823	20		27-32-11	D04347J	48		N2	2		
245R	24	PW	D00823	19		27-32-11	D04347J	47		N2			
245Z			D00823	DED		27-32-11	D04347J			N2			

286T0045-OBH
Wire Bundle Assembly
Figure 146 (Sheet 11)

25-71-02

TESTING & TROUBLE SHOOTING

01

Page 200K

Nov 01/02

WIRE			FROM EQUIPMENT				TO EQUIPMENT				WIRE INFO			
NUMBER	GA	TYP	NUMBER	TERM	TT	WDM REF	NUMBER	TERM	TT	EMC/SEP	FT	NOTE	EFFECTIVITY	
247	20	UA	D04349J			31-41-35	GDX0006	S..	2	N2	2			
247B	24	PW	D02261	42		31-41-35	D04349J	57		N2	2			
247R	24	PW	D02261	43		31-41-35	D04349J	56		N2				
247Z			D02261	DED		31-41-35	D04349J			N2				
248	20	UA	D04349J			28-41-11	GDX0006	S..	2	N2	2			
248B	24	PW	D02261	5		28-41-11	D04349J	60		N2	2			
248R	24	PW	D02261	8		28-41-11	D04349J	59		N2				
248Z			D02261	DED		28-41-11	D04349J			N2				
271B	24	PL	D04597J	5		31-51-31	SM00088		W	N2	1			
271R	24	PL	D04597J	2		31-51-31	SM00087		W	N2	1			
272B	24	PL	D01487	63		31-51-31	SM00088		W	N2	1			
272R	24	PL	D01487	62		31-51-31	SM00087		W	N2	1			
273B	24	PL	D00817	63		31-51-32	SM00088		W	N2	1			
273R	24	PL	D00817	62		31-51-32	SM00087		W	N2	1			
290B	24	PW	D04597J	8		34-43-15	SM00104		W	N2	1			
290R	24	PW	D04597J	7		34-43-15	SM00103	REF	W	N2	1			
290Z			D04597J	9		34-43-15	SM00103		W	N2	1			
291B	24	PW	D04303J	5		34-43-15	SM00104		W	N2	1			
291R	24	PW	D04303J	4		34-43-15	SM00103		W	N2	1			
291Z			D04303J	6		34-43-15	SM00103	REF	W	N2	1			
292B	24	PW	D04347J	53		34-43-15	SM00104		W	N2	1			
292R	24	PW	D04347J	51		34-43-15	SM00103		W	N2	1			
292Z			D04347J	61		34-43-15	SM00103	REF	W	N2	1			
301	20	UA	SM00028	REF		31-51-11	GDX0005	S..	2	N2	1			
301B	22	PS	D00811	57		31-51-11	SM00028		W	N2	2			
301R	22	PS	D00811	38		31-51-11	SM00028		W	N2	2			
301Y	22	PS	D00811	58		31-51-11	SM00028		W	N2	2			
301Z			D00811	DED		31-51-11	SM00028	REF	W	N2	2			
302B	22	PS	D00811	42		31-51-11	SM00029		W	N2	2			
302R	22	PS	D00811	41		31-51-11	SM00029		W	N2	2			
302Y	22	PS	D00811	43		31-51-11	SM00029		W	N2	2			

286T0045-0BH
Wire Bundle Assembly
Figure 146 (Sheet 12)

25-71-02



BOEING
COMPONENT
MAINTENANCE MANUAL

WIRE		FROM EQUIPMENT			TO EQUIPMENT			WIRE INFO					
NUMBER	GA	TYP	NUMBER	TERM	TT	WDM REF	NUMBER	TERM	TT	EMC/SEP	FT	NOTE	EFFECTIVITY
302Z			D00811	DED		31-51-11	SM00028	REF		N2			
303B	22	PS	D00811	8		31-51-11	SM00026		W	N2	2		
303R	22	PS	D00811	7		31-51-11	SM00026		W	N2			
303Y	22	PS	D00811	9		31-51-11	SM00026		W	N2			
303Z			D00811	DED		31-51-11	SM00028	REF		N2			
304B	22	PS	D00811	25		31-51-11	SM00027		W	N2	2		
304R	22	PS	D00811	24		31-51-11	SM00027		W	N2			
304Y	22	PS	D00811	37		31-51-11	SM00027		W	N2			
304Z			D00811	DED		31-51-11	SM00028	REF		N2			
305	20	UA	SM00030	REF		31-51-12	GDX0005	S..	2	N2	1		
305B	22	PS	D00813	8		31-51-12	SM00030		W	N2	2		
305R	22	PS	D00813	7		31-51-12	SM00030		W	N2			
305Y	22	PS	D00813	9		31-51-12	SM00030		W	N2			
305Z			D00813	DED		31-51-12	SM00030	REF		N2			
306B	22	PS	D00813	25		31-51-12	SM00031		W	N2	2		
306R	22	PS	D00813	24		31-51-12	SM00031		W	N2			
306Y	22	PS	D00813	37		31-51-12	SM00031		W	N2			
306Z			D00813	DED		31-51-12	SM00030	REF		N2			
307B	22	PS	D00813	57		31-51-12	SM00032		W	N2	2		
307R	22	PS	D00813	38		31-51-12	SM00032		W	N2			
307Y	22	PS	D00813	58		31-51-12	SM00032		W	N2			
307Z			D00813	DED		31-51-12	SM00030	REF		N2			
308B	22	PS	D00813	42		31-51-12	SM00033		W	N2	2		
308R	22	PS	D00813	41		31-51-12	SM00033		W	N2			
308Y	22	PS	D00813	43		31-51-12	SM00033		W	N2			
308Z			D00813	DED		31-51-12	SM00030	REF		N2			
512	24	PK	D02261	20		27-81-31	D04349J	8		N2	2		
601	20	PA	SM00060		W	31-51-11	GDX0004	D..	2	N2			
602	20	PA	SM00061		W	31-51-12	GDX0005	D..	2	N2			
603	24	PV	D04301J	5		31-51-12	M01103	INE	D	N2	1		
603Z			D04301J	DED		31-51-12	M01103			N2			

286T0045-OBH
Wire Bundle Assembly
Figure 146 (Sheet 13)

25-71-02

WIRE			FROM EQUIPMENT			TO EQUIPMENT			WIRE INFO				
NUMBER	GA	TYP	NUMBER	TERM	TT	WDM REF	NUMBER	TERM	TT	EMC/SEP	FT	NOTE	EFFECTIVITY
604	24	PV	D04301J	4		31-51-12	D00813	4		N2	3		
604Z			D04301J	DED		31-51-12	D00813			N2			
605	24	PV	D00813	1		31-51-12	M01103	OAD	D	N2	3		
605Z			D00813			31-51-12	M01103	DED		N2			
606	24	PV	D04349J	32		31-51-11	M01102	INE	D	N2	1		
606Z			D04349J	DED		31-51-11	M01102			N2			
607	24	PV	D04349J	33		31-51-11	D00811	4		N2	3		
607Z			D04349J	DED		31-51-11	D00811			N2			
608	24	PV	D00811	1		31-51-11	M01102	OAD	D	N2	3		
608Z			D00811			31-51-11	M01102	DED		N2			
610	24	PK	D00823	37		27-32-11	SM00050		W	N2	1		
611	24	PK	D01433	6		31-51-42	D04347J	20		N2	2		
612	24	PK	D01433	4		31-51-42	SM00050		W	N2	1		
613	24	PK	D04349J	30		31-51-31	SM00065		W	N2	1		
614	24	PK	D01487	52		31-51-31	SM00065		W	N2	1		
615	24	PK	D00817	52		31-51-32	SM00065		W	N2	1		
617	24	PK	D01381	11		27-32-12	D00823	56		N2	1		
618	24	PK	D01381	56		27-32-12	D00823	11		N2	1		
619	24	PK	D00823	45		27-32-12	SM00082		W	N2	1		
620	24	PK	D04349J	29		31-51-21	SM00071		W	N2	1		
621	24	PK	D00815	7		31-51-21	SM00071		W	N2	1		
622	24	PK	D01489	2		31-51-33	SM00071		W	N2	1		
623	24	PK	D01489	36		31-51-33	SM00038		W	N2	1		
624	24	PK	D00815	8		31-51-21	SM00045		W	N2	1		
625	24	PK	D01487	9		31-51-31	SM00034		W	N2	1		
628	22	PA	D01487	20		31-51-31	GDX0006	D..	2	N2	2		
629	22	PA	D01487	53		31-51-31	GDX0006	D..	2	N2	2		
630	22	PA	D01487	21		31-51-31	GDX0006	D..	2	N2	2		
631	24	PK	D00817	9		31-51-32	SM00034		W	N2	1		
634	22	PA	D00817	20		31-51-32	GDX0006	D..	2	N2	2		
635	22	PA	D00817	53		31-51-32	GDX0006	D..	2	N2	2		

286T0045-0BH
Wire Bundle Assembly
Figure 146 (Sheet 14)

25-71-02



BOEING
COMPONENT
MAINTENANCE MANUAL

WIRE		FROM EQUIPMENT			TO EQUIPMENT			WIRE INFO					
NUMBER	GA	TYP	NUMBER	TERM	TT	WDM REF	NUMBER	TERM	TT	EMC/SEP	FT	NOTE	EFFECTIVITY
636	22	PA	D00817	21		31-51-32	GDX0006	D..	2	N2	2		
644	22	PQ	D00823	66		27-32-31	D04347J	42		N2	2		
644Z			D00823	DED		27-32-31	D04347J	DED		N2			
646	22	PQ	D01381	66		27-32-31	D04349J	42		N2	2		
646Z			D01381	DED		27-32-31	D04349J	DED		N2			
648	24	PK	D04347J	32		34-16-11	D00821	40		N2	2		
649	24	PK	D04347J	33		34-16-11	SM00038		W	N2	1		
681	24	PK	D01433	10		31-51-43	D04507J	10		N2	2		
682	24	PK	D01433	13		31-51-43	D04347J	46		N2	2		
683	22	PA	D01433	41		31-51-43	SM00081		W	N2	1		
684	20	PA	GDX0001	D..	2	31-51-43	D04349J	47		N2	2		
685	24	PK	D00823	58		27-32-12	D01505	A1		N2	2		
686	24	PK	D00823	8		27-32-11	SM00038		W	N2	1		
687	24	PK	D00823	64		27-32-11	SM00081		W	N2	1		
688	24	PK	D01381	58		27-32-22	D01503	A1		N2	2		
689	24	PK	D01381	45		27-32-22	SM00085		W	N2	1		
692	24	PK	D01381	8		27-32-21	SM00038		W	N2	1		
693	24	PK	D04347J	30		31-51-21	D00815			N2	2		
694	22	PA	D04349J	46		31-51-43	SM00081	6	W	N2	1		
696	20	PA	GDX0003	D..	2	27-32-12	SM00082		W	N2	1		
697	20	PA	GDX0003	D..	2	27-32-22	SM00085		W	N2	1		
701	24	PK	D00815	49		31-51-21	D00815	22		N2			
702	24	PK	D00815	16		31-51-21	D00815	48		N2			
703	24	PK	D00819	6		31-51-41	SM00019		W	N2	1		
704	24	PK	SM00075		W	31-51-41	D04511J	14		N2	1		
705	24	PK	D00819	45		31-51-41	D04511J	12		N2	2		
706	24	PK	D00819	10		31-51-41	D04349J	31		N2	2		
707	24	PK	D00819	21		31-51-41	D04509J	4		N2	2		
708	24	PK	D00819	9		31-51-41	D04349J	7		N2	2		
709	24	PK	D00819	39		31-51-41	SM00044		W	N2	1		
710	24	PK	D00819	43		31-51-41	SM00037		W	N2	1		

286T0045-OBH
Wire Bundle Assembly
Figure 146 (Sheet 15)

25-71-02

TESTING & TROUBLE SHOOTING

01

Page 2000

Nov 01/02

WIRE			FROM EQUIPMENT				TO EQUIPMENT				WIRE INFO			
NUMBER	GA	TYP	NUMBER	TERM	TT	WDM REF	NUMBER	TERM	TT	EMC/SEP	FT	NOTE	EFFECTIVITY	
711	24	PK	D00819	12		31-51-41	D04349J	21		N2	2			
712	24	PK	D00819	53		31-51-41	D04349J	3		N2	2			
713	24	PK	D00819	20		31-51-41	D04347J	9		N2	2			
714	24	PK	D00819	44		31-51-41	D04349J	24		N2	2			
715	24	PK	D04507J	6		31-51-42	SM00019		W	N2	1			
716	24	PK	D01433	34		31-51-42	SM00019		W	N2	1			
717	24	PK	D01433	37		31-51-42	SM00034		W	N2	1			
718	24	PK	D01433	39		31-51-42	D04509J	2		N2	2			
720	24	PK	D01433	52		31-51-42	SM00040		W	N2	1			
721	24	PK	D01433	38		31-51-42	D04347J	24		N2	2			
722	24	PK	D01433	5		31-51-42	D04349J	22		N2	2			
723	24	PK	D04511J	11		31-51-42	SM00038		W	N2	1			
724	24	PK	D01433	40		31-51-42	SM00038		W	N2	1			
725	24	PK	D01433	3		31-51-42	D04347J	13		N2	2			
726	22	PA	D04347J	14		31-51-21	SM00036		W	N2	1			
727	22	PA	D04301J	11		31-51-21	SM00035		W	N2	1			
728	24	PK	D04347J	1		31-51-41	D00819	35		N2	2			
729	24	PK	D04347J	2		31-51-41	D00819	1		N2	2			
730	24	PK	D04347J	3		31-51-41	D00819	36		N2	2			
731	24	PK	D04347J	4		31-51-41	D00819	2		N2	2			
732	24	PK	D04347J	5		31-51-42	D01433	20		N2	2			
733	24	PK	D04347J	16		34-16-11	D00821	65		N2	2			
734	24	PK	D04347J	8		31-51-31	SM00046		W	N2	1			
735	24	PK	D04507J	7		34-16-11	D00821	34		N2	2			
736	24	PK	D04507J	2		34-16-11	D00821	66		N2	2			
737	24	PK	SM00041		W	34-16-11	D00821	31		N2	1			
738	24	PK	D04347J	19		34-16-11	D00821	7		N2	2			
739	24	PK	SM00075		W	34-16-11	D00821	6		N2	1			
741	24	PK	D00821	18		34-16-11	D00821	22		N2	2			
742	24	PK	D00821	50		34-16-11	D00821	48		N2	2			
746	24	PK	D04597J	10		31-51-31	SM00043		W	N2	1			

286T0045-OBH
Wire Bundle Assembly
Figure 146 (Sheet 16)

25-71-02



BOEING
COMPONENT
MAINTENANCE MANUAL

WIRE		FROM EQUIPMENT		TO EQUIPMENT		WIRE INFO							
NUMBER	GA	TYP	NUMBER	TERM	TT	WDM REF	NUMBER	TERM	TT	EMC/SEP	FT	NOTE	EFFECTIVITY
747	24	PK	D01487	46		31-51-31	SM00043		W	N2	1		
748	24	PK	D04347J	7		31-51-31	SM00045		W	N2	1		
749	24	PK	D01487	10		31-51-31	SM00045		W	N2	1		
750	24	PK	D01487	19		31-51-31	SM00046		W	N2	1		
751	24	PK	D01487	13		31-51-31	SM00040		W	N2	1		
752	24	PK	D01487	47		31-51-31	SM00044		W	N2	1		
753	24	PK	D01487	51		31-51-31	SM00041		W	N2	1		
755	24	PV	D01487	1		31-51-31	SM00035		W	N2	1		
755Z			D01487	DED		31-51-31	SM00035	DED		N2			
756	24	PK	D01487	50		31-51-31	SM00036		W	N2	1		
757	24	PK	D01487	49		31-51-31	SM00039		W	N2	1		
758	24	PK	D01487	22		31-51-31	D01489	23		N2	2		
759	24	PK	D01487	55		31-51-31	D01489	47		N2	2		
760	24	PK	D01487	34		31-51-31	D01489	51		N2	2		
761	24	PK	D01487	66		31-51-31	D01489	57		N2	2		
762	24	PK	D00817	10		31-51-32	SM00045		W	N2	1		
763	24	PK	D00817	46		31-51-32	SM00043		W	N2	1		
764	24	PV	D00817	1		31-51-32	SM00035		W	N2	1		
764Z			D00817	DED		31-51-32	SM00035	DED		N2			
765	24	PK	D00817	50		31-51-32	SM00036		W	N2	1		
766	24	PV	D00817	49		31-51-32	SM00053		W	N2	1		
766Z			D00817	DED		31-51-32	SM00053	DED		N2			
767	24	PK	D00817	19		31-51-32	SM00046		W	N2	1		
768	24	PK	D00817	13		31-51-32	SM00040		W	N2	1		
769	24	PK	D00817	47		31-51-32	SM00044		W	N2	1		
770	24	PK	D00817	51		31-51-32	SM00041		W	N2	1		
772	24	PK	D00817	22		31-51-32	D01489	54		N2	2		
773	24	PK	D00817	55		31-51-32	D01489	13		N2	2		
774	24	PK	D00817	34		31-51-32	D01489	25		N2	2		
775	24	PK	D00817	66		31-51-32	D01489	58		N2	2		
776	24	PK	D01489	42		31-51-33	D04347J	15		N2	2		

286T0045-OBH
Wire Bundle Assembly
Figure 146 (Sheet 17)

25-71-02

WIRE			FROM EQUIPMENT			TO EQUIPMENT			WIRE INFO				
NUMBER	GA	TYP	NUMBER	TERM	TT	WDM REF	NUMBER	TERM	TT	EMC/SEP	FT	NOTE	EFFECTIVITY
777	24	PK	D01489	8		31-51-33	D04349J	13		N2	2		
779	24	PK	D01489	35		31-51-33	D04349J	40		N2	2		
780	24	PK	D01489	53		31-51-33	D04349J	2		N2	2		
781	24	PK	D01489	31		31-51-33	D01489	48		N2	2		
782	24	PK	D01489	18		31-51-33	D01489	22		N2	2		
783	24	PK	D01489	38		31-51-33	SM00008		W	N2	1		
784	24	PK	D01489	4		31-51-33	SM00011		W	N2	1		
785	24	PK	D01489	37		31-51-33	SM00012		W	N2	1		
786	24	PK	D01489	3		31-51-33	SM00010		W	N2	1		
787	24	PK	D01489	1		31-51-33	SM00009		W	N2	1		
788	24	PK	D01489	6		31-51-33	SM00034		W	N2	1		
789	24	PK	D01489	41		31-51-33	D04509J	11		N2	2		
791	24	PK	D01489	7		31-51-33	D04509J	10		N2	2		
792	24	PK	D01489	40		31-51-33	D04509J	9		N2	2		
793	24	PK	D00819	11		31-51-41	SM00075		W	N2	1		
794	20	PA	D04303J	10		31-51-32	GDX0004	S..	2	N2	2		
795	24	PK	D01433	9		31-51-42	D01433	48		N2	2		
796	24	PK	D01433	22		31-51-42	D01433	50		N2	2		
797	24	PV	D00815	41		31-51-21	SM00053		W	N2	1		
797Z			D00815	DED		31-51-21	SM00053	DED		N2	1		
798	24	PV	D04349J	9		31-51-21	SM00053		W	N2	1		
798Z			D04349J	DED		31-51-21	SM00053	DED		N2	1		
817	24	PK	D00823	55		27-32-12	D11553	6		N2	2		
818	24	PK	D00823	21		27-32-12	D11553	4		N2	2		
819	24	PK	D00823	51		27-32-12	D11553	3		N2	2		
820	24	PK	D00823	50		27-32-12	D11553	2		N2	2		
821	24	PK	D00823	49		27-32-12	D11553	7		N2	2		
822	24	PK	D00823	47		27-32-12	D11553	8		N2	2		
823	24	PK	D00823	46		27-32-12	D11553	9		N2	2		
824	24	PK	D00823	53		27-32-12	D11553	5		N2	2		
825	24	PK	D00823	62		27-32-12	D11553	24		N2	2		

286T0045-0BH
Wire Bundle Assembly
Figure 146 (Sheet 18)

25-71-02



BOEING
COMPONENT
MAINTENANCE MANUAL

WIRE			FROM EQUIPMENT			TO EQUIPMENT			WIRE INFO				
NUMBER	GA	TYP	NUMBER	TERM	TT	WDM REF	NUMBER	TERM	TT	EMC/SEP	FT	NOTE	EFFECTIVITY
826	24	PK	D01381	55		27-32-22	D11553	16		N2	2		
827	24	PK	D01381	21		27-32-22	D11553	14		N2	2		
828	24	PK	D01381	51		27-32-22	D11553	13		N2	2		
829	24	PK	D01381	50		27-32-22	D11553	12		N2	2		
830	24	PK	D01381	49		27-32-22	D11553	17		N2	2		
831	24	PK	D01381	47		27-32-22	D11553	18		N2	2		
832	24	PK	D01381	46		27-32-22	D11553	19		N2	2		
833	24	PK	D01381	53		27-32-22	D11553	15		N2	2		
834	24	PK	D01381	62		27-32-22	D11553	34		N2	2		
835	24	PK	D04349J	50		27-32-21	D01381	64		N2	2		
836	20	PA	D04349J	53		27-32-21	GDX0002	S..	2	N2	2		
837	24	PK	D00823	42		27-32-12	SM00082		W	N2	1		
838	24	PK	D01381	42		27-32-22	SM00085		W	N2	1		
842	22	PA	D01381	6		27-32-22	SM00085		W	N2	2	ZSZ-B6	
843	22	PA	D00823	6		27-32-12	SM00082		W	N2	2	ZSZ-B6	
862	22	PA	D02261	30		31-41-35	GDX0006	S..	2	N2	1		
863	22	PA	D02261	32		31-41-35	GDX0006	S..	2	N2	1		
864	22	PA	D02261	33		31-41-35	GDX0006	S..	2	N2	1		
865	22	PA	D02261	64		31-41-35	GDX0006	S..	2	N2	1		
866	24	PV	D02261	27		31-51-11	SM00018		W	N2	1		
866Z			D02261	DED		31-51-11	SM00018	REF		N2			
867	24	PV	D02261	28		31-51-11	SM00047		W	N2	1		
867Z			D02261	DED		31-51-11	SM00047	REF		N2			
868	24	PV	D02261	29		31-51-12	SM00054		W	N2	1		
868Z			D02261	DED		31-51-12	SM00054	REF		N2			
869	24	PK	D02261	34		31-51-12	SM00025		W	N2	1		
870	22	PA	D02261	56		31-51-12	GDX0001	S..	2	N2	2		
871	22	PA	D02261	57		31-51-12	GDX0003	S..	2	N2	2		
872	22	PA	D02261	59		31-51-11	GDX0005	S..	2	N2	1		
873	24	PV	D02261	60		31-51-12	SM00055		W	N2	1		
873Z			D02261	DED		31-51-12	SM00055	REF		N2			

286T0045-OBH
Wire Bundle Assembly
Figure 146 (Sheet 19)

25-71-02

WIRE			FROM EQUIPMENT				TO EQUIPMENT				WIRE INFO			
NUMBER	GA	TYP	NUMBER	TERM	TT	WDM REF	NUMBER	TERM	TT	EMC/SEP	FT	NOTE	EFFECTIVITY	
874	24	PV	D02261	62		31-51-11	SM00049		W	N2	1			
874Z			D02261	DED		31-51-11	SM00049	REF		N2				
875	24	PV	D02261	63		31-51-12	SM00056		W	N2	1			
875Z			D02261	DED		31-51-12	SM00056	REF		N2				
876	24	PK	D02261	65		31-51-11	SM00022		W	N2	1			
877	24	PV	D00811	14		31-51-11	SM00018		W	N2	2			
877Z			D00811	DED		31-51-11	SM00018	REF		N2				
878	24	PV	D00811	48		31-51-11	SM00047		W	N2	2			
878Z			D00811	DED		31-51-11	SM00047	REF		N2				
879	24	PV	D00811	23		31-51-11	SM00049		W	N2	2			
879Z			D00811	DED		31-51-11	SM00049	REF		N2				
880	24	PV	D00813	14		31-51-12	SM00054		W	N2	2			
880Z			D00813	DED		31-51-12	SM00054	REF		N2				
881	24	PV	D00813	48		31-51-12	SM00055		W	N2	2			
881Z			D00813	DED		31-51-12	SM00055	REF		N2				
882	24	PV	D00813	23		31-51-12	SM00056		W	N2	2			
882Z			D00813	DED		31-51-12	SM00056	REF		N2				
883	22	PA	D02261	15		38-32-11	D04349J	26		N2	2			
884	22	PA	D02261	47		38-32-11	D04347J	27		N2	2			
885	24	PK	D04303J	9		31-51-21	SM00057		W	N2	1			
886	24	PK	D04507J	3		31-51-21	SM00058		W	N2	1			
887	24	PK	D04507J	1		31-51-21	SM00058		W	N2	1			
888	24	PK	SM00057		W	31-51-21	D04349J	44		N2	1			

 286T0045-OBH
 Wire Bundle Assembly
 Figure 146 (Sheet 20)

25-71-02

 TESTING & TROUBLE SHOOTING
 01 Page 200T
 Nov 01/02



BOEING
COMPONENT
MAINTENANCE MANUAL

WIRE			FROM EQUIPMENT			TO EQUIPMENT			WIRE IN2FO				
NUMBER	GA	TYP	NUMBER	TERM	TT	WDM REF	NUMBER	TERM	TT	EMC/SEP	FT	NOTE	EFFECTIVITY
FRA			M01103			31-51-12	M01103	GND	D	N2			
FRB			D00813			31-51-12	D00813	59		N2			
FRC			M01102			31-51-11	M01102	GND	D	N2			
FRD			D00811			31-51-11	D00811	59		N2			
FRG			D04349J	58		31-41-35	D04349J			N2			
FRH			D04349J	61		28-41-11	D04349J			N2			
PA1			D00815	47		99-99-99	D00815	63		N2		DAW-B2	
PA2			D00817	8		99-99-99	D00817	57		N2		DAW-B2	
PA3			D00819	41		99-99-99	D00819	55		N2		DAW-B2	
PA4			D00821	43		99-99-99	D00821	60		N2		DAW-B2	
PA5			D00823	52		99-99-99	D00823	65		N2		DAW-B2	
PA6			D01433	44		99-99-99	D01433	61		N2		DAW-B2	
PA7			D01381	52		99-99-99	D01381	65		N2		DAW-B2	
PA8			D01487	8		99-99-99	D01487	57		N2		DAW-B2	
PA9			D01489	56		99-99-99	D01489	65		N2		DAW-B2	
PB4			D02261	54		99-99-99	D02261	61		N2		DAW-B2	
P01		SE	D11553							N2			
1	22	PA	D00811	60		31-51-11	GDX0001	S..	2	N2	3	UAE-F2	
2	22	PA	D00821	14		31-51-11	GDX0002	D..	2	N2	2		
3	24	PV	D00811	26		31-51-11	D00821	27		N2	3		
003Z			D00811	DED		31-51-11	D00821			N2			
4	24	PV	D00811	49		31-51-11	D00821	32		N2	3		
004Z			D00811	DED		31-51-11	D00821			N2			
5	24	PV	D00811	35		31-51-11	D00821	17		N2	3		
005Z			D00811	DED		31-51-11	D00821			N2			
6	24	PK	SM00022		W	31-51-11	D00821	51		N2	1		
7	24	PK	D00811	65		31-51-11	SM00022		W	N2	2		
8	24	PK	D00819	37		31-51-11	SM00022		W	N2	1		
9	24	PV	D00819	27		31-51-11	D00811	13		N2	3		
009Z			D00811	DED		31-51-11	D00819			N2			
10	22	PA	D00819	14		31-51-11	GDX0001	D..	2	N2	2		

286T0045-0BK
Wire Bundle Assembly
Figure 147 (Sheet 1)

25-71-02

WIRE			FROM EQUIPMENT			TO EQUIPMENT			WIRE INFO				
NUMBER	GA	TYP	NUMBER	TERM	TT	WDM REF	NUMBER	TERM	TT	EMC/SEP	FT	NOTE	EFFECTIVITY
11													
24		PK	D01433	51		31-51-11	SM00022		W	N2	1		
12	24	PV	SM00018		W	31-51-11	D01433	27		N2	1		
012Z			SM00018	REF		31-51-11	D01433			N2			
13	24	PV	SM00047		W	31-51-11	D01433	32		N2	1		
013Z			SM00047	REF		31-51-11	D01433			N2			
14	24	PV	SM00049		W	31-51-11	D01433	17		N2	1		
014Z			SM00049	REF		31-51-11	D01433			N2			
15	22	PA	D01433	14		31-51-11	GDX0001	D..	2	N2	2		
16	20	PA	SM00028		W	31-51-11	GDX0005	D..	2	N2	2		
17	20	UA	GDX0002	S..	2	31-51-11	D00821			N2	2		
18	20	UA	GDX0005	S..	2	31-51-11	D00819			N2	2		
19	20	UA	D01433			31-51-11	GDX0002	S..	2	N2	2		
20	20	PA	GDX0005	D..	2	31-51-11	SM00029		W	N2	2		
21	20	UA	GDX0002	S..	2	31-51-11	D01503			N2	2		
23	20	UA	D00815			31-51-11	GDX0002	S..	2	N2	2		
24	24	PK	D04349J	38		31-51-11	SM00005		W	N2	1		
25	24	PK	D01503	A2		31-51-11	SM00005		W	N2	1		
26	20	PA	D01503	A3		31-51-11	SM00005		W	N2	2		
27	22	PQ	D01503	X2		31-51-11	GDX0003	D..	2	N2	2		
027Z			D00811	DED		31-51-11	D00811	75		N2	4		
28	24	PV	D01503	X1		31-51-11	D01503		W	N2	1		
028Z			SM00015	REF		31-51-11	SM00015			N2			
29	24	PV	D00811	46		31-51-11	SM00015		W	N2	2		
029Z			SM00015	REF		31-51-11	D00811	DED		N2			
30	24	PK	SM00015		W	31-51-11	D11553	35		N2	1		
32	20	PA	D11553	11		31-51-11	GDX0003	D..	2	N2	2		
33	24	PK	D11553	37		31-51-11	D00811	34		N2	4		
34	24	PK	D11553	36		31-51-11	D00811	33		N2	4		
35	22	PA	D00815	14		31-51-11	GDX0001	D..	2	N2	2		
36	24	PV	D00815	27		31-51-11	D00811	12		N2	3		
036Z			D00811	DED		31-51-11	D00815			N2			

286T0045-OBK
Wire Bundle Assembly
Figure 147 (Sheet 2)

25-71-02



BOEING
COMPONENT
MAINTENANCE MANUAL

WIRE		FROM EQUIPMENT			TO EQUIPMENT			WIRE INFO					
NUMBER	GA	TYP	NUMBER	TERM	TT	WDM REF	NUMBER	TERM	TT	EMC/ SEP	FT	NOTE	EFFECTIVITY
37	24	PV	D00815	32		31-51-11	D00811	17		N2	3		
037Z			D00811	DED		31-51-11	D00815			N2			
38	24	PV	D00815	17		31-51-11	D00811	22		N2	3		
038Z			D00811	DED		31-51-11	D00815			N2			
39	24	PK	D00815	54		31-51-11	SM00020		W	N2	1		
40	24	PK	D00811	63		31-51-11	SM00020		W	N2	2		
41	24	PK	D00823	35		31-51-11	SM00020		W	N2	1		
42	24	PK	D01381	35		31-51-11	SM00020		W	N2	1		
45	22	PA	D01381	14		31-51-11	GDX0001	D..	2	N2	2		
46	22	PA	D01381	48		31-51-11	GDX0003	D..	2	N2	2		
47	24	PV	D01381	27		31-51-11	D00811	11		N2	3		
047Z			D00811	DED		31-51-11	D01381			N2			
48	24	PV	D01381	32		31-51-11	D00811	16		N2	3		
048Z			D00811	DED		31-51-11	D01381			N2			
49	24	PV	D01381	17		31-51-11	D00811	21		N2	3		
049Z			D00811	DED		31-51-11	D01381			N2			
52	22	PA	D00823	14		31-51-11	GDX0001	D..	2	N2	2		
53	22	PA	D00823	48		31-51-11	GDX0003	D..	2	N2	2		
54	24	PV	D00823	27		31-51-11	D00811	10		N2	3		
054Z			D00811	DED		31-51-11	D00823			N2			
55	24	PV	D00823	32		31-51-11	D00811	15		N2	3		
055Z			D00811	DED		31-51-11	D00823			N2			
56	24	PV	D00823	17		31-51-11	D00811	20		N2	3		
056Z			D00811	DED		31-51-11	D00823			N2			
57	22	PA	D00817	14		31-51-11	GDX0002	D..	2	N2	2		
58	24	PV	D00817	27		31-51-11	D00811	51		N2	3		
058Z			D00811	DED		31-51-11	D00817			N2			
59	24	PV	D00817	32		31-51-11	D00811	74		N2	3		
059Z			D00811	DED		31-51-11	D00817			N2			
60	24	PK	D00817	45		31-51-11	SM00021		W	N2	1		
61	24	PK	D00811	64		31-51-11	SM00021		W	N2	2		

286T0045-OBK
Wire Bundle Assembly
Figure 147 (Sheet 3)

25-71-02

WIRE		FROM EQUIPMENT			TO EQUIPMENT			WIRE INFO					
NUMBER	GA	TYP	NUMBER	TERM	TT	WDM REF	NUMBER	TERM	TT	EMC/ SEP	FT	NOTE	EFFECTIVITY
62	24	PK	D01489	16		31-51-11	SM00021		W	N2	1		
63	24	PK	D01487	45		31-51-11	SM00021		W	N2	1		
64	24	PV	D01487	27		31-51-11	D00811	47		N2	3		
064Z			D00811	DED		31-51-11	D01487			N2			
65	24	PV	D01487	32		31-51-11	D00811	70		N2	3		
065Z			D00811	DED		31-51-11	D01487			N2			
66	22	PA	D01487	14		31-51-11	GDX0003		2	N2	2		
67	24	PV	D01489	27		31-51-11	D00811	45		N2	3		
067Z			D00811	DED		31-51-11	D01489			N2			
68	24	PV	D01489	32		31-51-11	D00811	50		N2	3		
068Z			D00811	DED		31-51-11	D01489			N2			
69	24	PV	D01489	17		31-51-11	D00811	36		N2	3		
069Z			D00811	DED		31-51-11	D01489			N2			
70	22	PA	D01489	14		31-51-11	GDX0003		2	N2	2		
71	20	UA	D01381			31-51-11	GDX0002		2	N2	2		
72	20	UA	D00823			31-51-11	GDX0002		2	N2	2		
73	20	UA	D00817			31-51-11	GDX0002		2	N2	2		
74	20	PA	SM00026		W	31-51-11	GDX0005		2	N2	2		
75	20	UA	D01487			31-51-11	GDX0005		2	N2	2		
76	20	UA	GDX0005	S..	2	31-51-11	D01489		2	N2	2		
77	24	PK	D02261	40		31-41-35	D04349J	1		N2	2		
78	20	PA	SM00027		W	31-51-11	GDX0005		2	N2	2		
79	22	PA	D00813	60		31-51-12	GDX0003		2	N2	3	UAE-F2	
80	22	PA	D00821	15		31-51-12	GDX0002		2	N2	2		
81	24	PV	D00821	30		31-51-12	D00813	26		N2	3		
081Z			D00813	DED		31-51-12	D00821			N2			
82	24	PV	D00821	33		31-51-12	D00813	49		N2	3		
082Z			D00813	DED		31-51-12	D00821			N2			
83	24	PV	D00821	24		31-51-12	D00813	35		N2	3		
083Z			D00813	DED		31-51-12	D00821			N2			
84	24	PK	D00821	19		31-51-12	SM00025		W	N2	1		

286T0045-OBK
Wire Bundle Assembly
Figure 147 (Sheet 4)

25-71-02



BOEING
COMPONENT
MAINTENANCE MANUAL

WIRE			FROM EQUIPMENT			TO EQUIPMENT			WIRE INFO				
NUMBER	GA	TYP	NUMBER	TERM	TT	WDM REF	NUMBER	TERM	TT	EMC/SEP	FT	NOTE	EFFECTIVITY
85	24	PK	D00813	65		31-51-12	SM00025		W	N2	2		
86	24	PK	D00819	3		31-51-12	SM00025		W	N2	1		
87	24	PK	D01433	18		31-51-12	SM00025		W	N2	1		
88	22	PA	D01433	15		31-51-12	GDX0002	D..	2	N2	2		
89	24	PV	D01433	30		31-51-12	SM00054		W	N2	1		
089Z			SM00054	REF		31-51-12	D01433		W	N2	1		
90	24	PV	D01433	33		31-51-12	SM00055		W	N2	1		
090Z			SM00055	REF		31-51-12	D01433		W	N2	1		
91	24	PV	D01433	24		31-51-12	SM00056		W	N2	1		
091Z			SM00056	REF		31-51-12	D01433		W	N2	1		
92	22	PA	D00819	15		31-51-12	GDX0002	D..	2	N2	2		
93	24	PV	D00819	30		31-51-12	D00813	13		N2	3		
093Z			D00813	DED		31-51-12	D00819			N2			
94	20	PA	SM00032		W	31-51-12	GDX0005	D..	2	N2	3		
95	24	PV	D01505	X2		31-51-12	D00813	75		N2	3		
095Z			D00813	DED		31-51-12	D01505			N2			
96	24	PV	D01505	X1		31-51-12	SM00016		W	N2	1		
096Z			SM00016	REF		31-51-12	D01505			N2			
97	24	PV	D00813	46		31-51-12	SM00016		W	N2	2		
097Z			SM00016	REF		31-51-12	D00813	DED		N2			
98	20	PA	SM00033		W	31-51-12	GDX0005	D..	2	N2	1		
99	24	PK	SM00016		W	31-51-12	D11553	25		N2	2		
10A	24	PK	D01489	21		31-51-33	D04349J	23		N2	2		
100	20	PA	D11553	1		31-51-12	GDX0003	D..	2	N2	2		
101	20	UA	D00821			31-51-12	GDX0004	S..	2	N2	2		
102	20	UA	D00819			31-51-12	GDX0004	S..	2	N2	2		
103	20	UA	D01433			31-51-12	GDX0004	S..	2	N2	2		
104	20	UA	D01505			31-51-12	GDX0005	S..	2	N2	2		
106	20	UA	D00815			31-51-12	GDX0004	S..	2	N2	2		
107	20	UA	D01381			31-51-12	GDX0004	S..	2	N2	2		
109	20	UA	D00817			31-51-12	GDX0004	S..	2	N2	2		

286T0045-OBK
Wire Bundle Assembly
Figure 147 (Sheet 5)

25-71-02

WIRE		FROM EQUIPMENT			TO EQUIPMENT			WIRE INFO					
NUMBER	GA	TYP	NUMBER	TERM	TT	WDM REF	NUMBER	TERM	TT	EMC/ SEP	FT	NOTE	EFFECTIVITY
110	20	UA	D01487			31-51-12	GDX0001	S..	2	N2	2		
111	20	UA	D01489			31-51-12	GDX0001	S..	2	N2	2		
112	22	PA	D00815	15		31-51-12	GDX0001	D..	2	N2	2		
113	24	PK	D01505	A2		31-51-12	SM00005	D..	W	N2	1		
114	20	PA	D01505	A3		31-51-12	GDX0003	D..	2	N2	2		
115	24	PK	D02261	21		21-61-51	D04347J	25	2	N2	2		
116	24	PK	D00815	21		31-51-12	SM00023		W	N2	1		
117	24	PK	D00813	63		31-51-12	SM00023		W	N2	2		
118	24	PK	D00823	1		31-51-12	SM00023		W	N2	1		
119	24	PK	D01381	1		31-51-12	SM00023		W	N2	1		
120	22	PA	D01381	15		31-51-12	GDX0001	D..	2	N2	2		
121	24	PK	D00817	56		31-51-12	SM00024		W	N2	1		
122	24	PK	D00813	64		31-51-12	SM00024		W	N2	2		
123	24	PK	D01487	56		31-51-12	SM00024		W	N2	1		
124	22	PA	D00823	15		31-51-12	GDX0001	D..	2	N2	2		
125	20	UA	D00823			31-51-12	GDX0004	S..	2	N2	2		
126	24	PV	D00823	33		31-51-12	D00813	15	2	N2	3		
127	24	PV	D00823	24		31-51-12	D00813	DED		N2	2		
127Z	24	PV	D00823	24		31-51-12	D00813	20		N2	3		
128	22	PA	D00817	15		31-51-12	D00813	DED		N2	2		
129	24	PV	D00817	30		31-51-12	GDX0002	D..	2	N2	2		
129Z	24	PV	D00817	33		31-51-12	D00813	DED		N2	3		
130	24	PV	D00817	33		31-51-12	D00813	74		N2	2		
130Z	24	PV	D00817	33		31-51-12	D00813	DED		N2	3		
131	24	PV	D00813	11		31-51-12	D01381	30		N2	3		
131Z	24	PV	D01381	16		31-51-12	D00813	DED		N2	2		
132	24	PV	D00813	16		31-51-12	D01381	33		N2	3		
132Z	24	PV	D01381	24		31-51-12	D00813	DED		N2	2		
133	24	PV	D01381	24		31-51-12	D00813	21		N2	2		
133Z	24	PV	D01381	24		31-51-12	D00813	DED		N2	3		

286T0045-OBK
Wire Bundle Assembly
Figure 147 (Sheet 6)

25-71-02



BOEING
COMPONENT
MAINTENANCE MANUAL

WIRE			FROM EQUIPMENT			TO EQUIPMENT			WIRE IN2FO				
NUMBER	GA	TYP	NUMBER	TERM	TT	WDM REF	NUMBER	TERM	TT	EMC/SEP	FT	NOTE	EFFECTIVITY
134	24	PK	D01489	50		31-51-12	SM00024		W	N2	1		
135	24	PV	D01487	30		31-51-12	D00813	47		N2	3		
135Z			D01487			31-51-12	D00813	DED		N2			
136	24	PV	D01487	33		31-51-12	D00813	70		N2	3		
136Z			D01487			31-51-12	D00813	DED		N2			
137	22	PA	D01487	15		31-51-12	GDX0003	D..	2	N2	2		
138	24	PV	D01489	30		31-51-12	D00813	45		N2	3		
138Z			D01489			31-51-12	D00813	DED		N2			
139	24	PV	D01489	33		31-51-12	D00813	50		N2	3		
139Z			D01489			31-51-12	D00813	DED		N2			
140	24	PV	D01489	24		31-51-12	D00813	36		N2	3		
140Z			D01489			31-51-12	D00813	DED		N2			
141	22	PA	D01489	15		31-51-12	GDX0003	D..	2	N2	2		
142	24	PK	D00813	33		31-51-12	D11553	26		N2	3		
143	24	PK	D11553	27		31-51-12	D00813	34		N2	3		
144	24	PV	D00813	12		31-51-12	D00815	30		N2	3		
144Z			D00813	DED		31-51-12	D00815			N2			
145	20	PA	SM00030		W	31-51-12	GDX0005	D..	2	N2			
146	24	PV	D00813	17		31-51-12	D00815	33		N2	3		
146Z			D00813	DED		31-51-12	D00815			N2			
147	24	PV	D00813	22		31-51-12	D00815	24		N2	3		
147Z			D00813	DED		31-51-12	D00815			N2			
148	24	PV	D00813	10		31-51-12	D00823	30		N2	3		
148Z			D00813	DED		31-51-12	D00823			N2			
149	20	PA	SM00031		W	31-51-12	GDX0005	D..	2	N2			
150	22	PA	D04301J	6		27-32-11	D00823	34		N2	2		
151	24	PK	D04509J	1		27-32-11	D00823	39		N2	2		
152	24	PK	D04347J	26		27-32-11	D00823	40		N2	2		
153	24	PK	D00823	31		27-32-11	D04509J	6		N2	2		
154	20	PA	D04509J	7		27-32-11	GDX0001	D..	2	N2	2		
155	24	PK	SM00037		W	27-32-11	D04511J	3		N2	1		

286T0045-OBK
Wire Bundle Assembly
Figure 147 (Sheet 7)

25-71-02

WIRE		FROM EQUIPMENT			TO EQUIPMENT			WIRE INFO					
NUMBER	GA	TYP	NUMBER	TERM	TT	WDM REF	NUMBER	TERM	TT	EMC/ SEP	FT	NOTE	EFFECTIVITY
156	24	PK	D00823	38		27-32-11	D04511J	2		N2	2		
157	24	PK	D04511J	4		27-32-11	SM00050		W	N2	1		
158	24	PK	SM00037		W	27-32-11	D00823	4		N2	1		
159	24	PK	D04349J	14		27-32-11	D00823	36		N2	1		
160	24	PK	D04349J	15		27-32-11	D00823	3		N2	1		
161	24	PK	D04349J	16		27-32-11	D00823	43		N2	1		
162	24	PK	D04349J	10		27-32-11	D00823	2		N2	1		
165	22	PA	D04349J	11		27-32-21	D01381	34		N2	2		
166	24	PK	D01381	40		27-32-21	D04349J	6		N2	2		
167	24	PK	D01381	31		27-32-21	D04511J	7		N2	2		
168	20	PA	GDX0002	D..	2	27-32-21	D04511J	8		N2	2		
169	24	PK	D04349J	34		27-32-21	D01381	36		N2	2		
170	24	PK	D04349J	35		27-32-21	D01381	3		N2	2		
171	24	PK	D04349J	36		27-32-21	D01381	43		N2	2		
172	24	PK	D04349J	37		27-32-21	D01381	2		N2	2		
173	24	PK	D04511J	13		27-32-21	D01381	4		N2	2		
174	24	PK	D04511J	16		27-32-21	D01381	37		N2	2		
175	24	PK	D04511J	15		27-32-21	D01381	38		N2	2		
176	24	PK	D04509J	8		27-32-21	D01381	39		N2	2		
177	24	PK	D00815	34		31-51-21	SM00057		W	N2	1		
178	24	PK	D00815	43		31-51-21	D01433	19		N2	2		
179	24	PK	D00815	10		31-51-21	D00819	5		N2	2		
180	24	PK	D04507J	5		31-51-21	SM00034		W	N2	1		
181	24	PK	SM00058		W	31-51-21	D00815	66		N2	1		
182	24	PK	D00815	4		31-51-21	SM00034		W	N2	1		
183	24	PK	D00815	11		31-51-21	D04349J	39		N2	2		
184	22	PA	D00815	37		31-51-21	SM00035		W	N2	1		
185	22	PA	D00815	42		31-51-21	SM00036		W	N2	1		
186	24	PK	D04349J	5		31-51-21	SM00012		W	N2	1		
187	24	PK	D00815	2		31-51-21	SM00012		W	N2	1		
188	24	PK	SM00011		W	31-51-21	D04349J	4		N2	1		

286T0045-OBK
Wire Bundle Assembly
Figure 147 (Sheet 8)

25-71-02



BOEING
COMPONENT
MAINTENANCE MANUAL

WIRE			FROM EQUIPMENT			TO EQUIPMENT			WIRE INFO				
NUMBER	GA	TYP	NUMBER	TERM	TT	WDM REF	NUMBER	TERM	TT	EMC/SEP	FT	NOTE	EFFECTIVITY
189	24	PK	SM00011		W	31-51-21	D00815	35		N2	1		
190	24	PK	D04349J	12		31-51-21	SM00009		W	N2	1		
191	24	PK	D00815	44		31-51-21	SM00009		W	N2	1		
192	24	PK	D04347J	10		31-51-21	SM00008		W	N2	1		
193	24	PK	D00815	1		31-51-21	SM00008		W	N2	1		
194	24	PK	D04347J	11		31-51-21	SM00010		W	N2	1		
195	24	PK	D00815	36		31-51-21	SM00010		W	N2	1		
196	24	PK	SM00039		W	31-51-21	D04347J	21		N2	1		
197	24	PK	D00815	45		31-51-21	SM00039		W	N2	1		
198	24	PK	D00815	46		31-51-21	D04347J	6		N2	2		
199	20	PA	GDX0004	S..	2	31-51-31	D04597J	14		N2	2		
201B	24	PW	D01489	43		31-51-33	SM00004		W	N2	1		
201R	24	PW	D01489	9		31-51-33	SM00003		W	N2			
201Z			D01489	DED		31-51-33	SM00003	REF		N2			
204	20	UA	D04507J			27-32-11	GDX0004	S..	2	N2	2		
204B	24	PW	D00823	18		27-32-11	D04507J	12		N2	1		
204R	24	PW	D00823	16		27-32-11	D04507J	11		N2			
204Z			D04507J			27-32-11	D00823	DED		N2			
205B	24	PW	D00815	19		31-51-21	SM00007		W	N2	1		
205R	24	PW	D00815	52		31-51-21	SM00006		W	N2			
205Z			D00815	DED		31-51-21	SM00006			N2			
207	20	UA	D04597J			31-51-21	GDX0004	S..	2	N2	2		
207B	24	PW	SM00007		W	31-51-21	D04597J	4		N2	1		
207R	24	PW	SM00006		W	31-51-21	D04597J	3		N2			
207Z			SM00006			31-51-21	D04597J			N2			
208	20	UA	D04301J			34-16-11	GDX0002	S..	2	N2	2		
208B	24	PW	D00821	36		34-16-11	D04301J	9		N2	2		
208R	24	PW	D00821	2		34-16-11	D04301J	8		N2			
208Z			D00821	DED		34-16-11	D04301J			N2			
209B	24	PW	D01489	46		31-51-33	SM00007		W	N2	1		
209R	24	PW	D01489	12		31-51-33	SM00006		W	N2			

286T0045-OBK
Wire Bundle Assembly
Figure 147 (Sheet 9)

25-71-02

WIRE			FROM EQUIPMENT			TO EQUIPMENT			WIRE INFO				
NUMBER	GA	TYP	NUMBER	TERM	TT	WDM REF	NUMBER	TERM	TT	EMC/SEP	FT	NOTE	EFFECTIVITY
209Z			D01489	DED		31-51-33	SM00006			N2			
212B	24	PW	D01433	36		31-51-42	SM00007		W	N2	1		
212R	24	PW	D01433	2		31-51-42	SM00006		W	N2			
212Z			D01433	DED		31-51-42	SM00006			N2			
213	20	UA	D04507J			34-16-11	GDX0004	S..	2	N2	2		
213B	24	PW	D00821	35		34-16-11	D04507J	8		N2	2		
213R	24	PW	D00821	1		34-16-11	D04507J	9		N2			
213Z			D00821	DED		34-16-11	D04507J			N2			
214	20	UA	D04349J			34-16-11	GDX0004	S..	2	N2	2		
214B	24	PW	D00821	37		34-16-11	D04349J	19		N2	2		
214R	24	PW	D00821	3		34-16-11	D04349J	18		N2			
214Z			D00821	DED		34-16-11	D04349J			N2			
215B	24	PL	D01487	24		31-51-31	D04597J	12		N2	2		
215R	24	PL	D01487	23		31-51-31	D04597J	13		N2			
216B	24	PL	D00817	24		31-51-32	D04303J	12		N2	2		
216R	24	PL	D00817	23		31-51-32	D04303J	11		N2			
221B	24	PW	D01489	45		31-51-33	SM00004		W	N2	1		
221R	24	PW	D01489	11		31-51-33	SM00003		W	N2			
221Z			D01489	DED		31-51-33	SM00003	REF		N2			
223B	24	PW	D00821	38		34-16-11	SM00004		W	N2	1		
223R	24	PW	D00821	4		34-16-11	SM00003		W	N2			
223Z			D00821	DED		34-16-11	SM00003	REF		N2			
224	20	UA	D04349J			27-32-21	GDX0004	S..	2	N2	2		
224B	24	PW	D04349J	28		27-32-21	D01381	18		N2	2		
224R	24	PW	D04349J	27		27-32-21	D01381	16		N2			
224Z			D04349J	DED		27-32-21	D01381	DED		N2			
225B	22	PR	D00811	69		31-51-11	SM00060		W	N2	2		
225R	22	PR	D00811	68		31-51-11	SM00060		W	N2			
225Z			D00811	DED		31-51-11	SM00028	REF		N2			
226B	22	PR	D00813	69		31-51-12	SM00061		W	N2	2		
226R	22	PR	D00813	68		31-51-12	SM00061		W	N2			

286T0045-0BK
Wire Bundle Assembly
Figure 147 (Sheet 10)

25-71-02



BOEING
COMPONENT
MAINTENANCE MANUAL

WIRE			FROM EQUIPMENT			TO EQUIPMENT			WIRE INFO				
NUMBER	GA	TYP	NUMBER	TERM	TT	WDM REF	NUMBER	TERM	TT	EMC/SEP	FT	NOTE	EFFECTIVITY
226Z			D00813	DED		31-51-12	SM00061	DED		N2			
230	20	UA	D04347J			31-51-33	GDX0003	S..	2	N2	2		
230B	24	PW	D04347J	18		31-51-33	SM00004		W	N2	1		
230R	24	PW	D04347J	17		31-51-33	SM00003		W	N2			
230Z			D04347J			31-51-33	SM00003	REF		N2			
236	20	UA	D04347J			27-32-11	GDX0001	S..	2	N2	2		
236B	24	PW	D04347J	37		27-32-11	D00823	54		N2	2		
236R	24	PW	D04347J	36		27-32-11	D00823	23		N2			
236Z			D04347J			27-32-11	D00823	DED		N2	2		
237B	24	PW	D04347J	40		27-32-11	D00823	13		N2			
237R	24	PW	D04347J	39		27-32-11	D00823	12		N2			
237Z			D04347J			27-32-11	D00823	DED		N2			
238	20	UA	D04349J			27-32-21	GDX0001	S..	2	N2	2		
238B	24	PW	D04349J	49		27-32-21	D01381	54		N2	2		
238R	24	PW	D04349J	48		27-32-21	D01381	23		N2			
238Z			D04349J			27-32-21	D01381	DED		N2			
239B	24	PW	D01381	20		27-32-21	D04349J	55		N2	2		
239R	24	PW	D01381	19		27-32-21	D04349J	54		N2			
239Z			D01381	DED		27-32-21	D04349J			N2			
240B	24	PL	D04347J	23		31-51-31	SM00080		W	N2	1		
240R	24	PL	D04347J	22		31-51-31	SM00042		W	N2			
241B	24	PL	D01487	60		31-51-31	SM00080		W	N2	1		
241R	24	PL	D01487	28		31-51-31	SM00042		W	N2			
242B	24	PL	D00817	60		31-51-32	SM00080		W	N2	1		
242R	24	PL	D00817	28		31-51-32	SM00042		W	N2			
243B	24	PW	D04349J	52		27-32-21	D01381	13		N2	2		
243R	24	PW	D04349J	51		27-32-21	D01381	12		N2			
243Z			D04349J			27-32-21	D01381	DED		N2			
245B	24	PW	D00823	20		27-32-11	D04347J	48		N2	2		
245R	24	PW	D00823	19		27-32-11	D04347J	47		N2			
245Z			D00823	DED		27-32-11	D04347J			N2			

286T0045-OBK
Wire Bundle Assembly
Figure 147 (Sheet 11)

25-71-02

TESTING & TROUBLE SHOOTING

01

Page 202C

Nov 01/02

WIRE		FROM EQUIPMENT			TO EQUIPMENT			WIRE INFO					
NUMBER	GA	TYP	NUMBER	TERM	TT	WDM REF	NUMBER	TERM	TT	EMC/SEP	FT	NOTE	EFFECTIVITY
247	20	UA	D04349J			31-41-35	GDX0006	S..	2	N2	2		
247B	24	PW	D02261	42		31-41-35	D04349J	57		N2	2		
247R	24	PW	D02261	43		31-41-35	D04349J	56		N2			
247Z			D02261	DED		31-41-35	D04349J			N2			
248	20	UA	D04349J			28-41-11	GDX0006	S..	2	N2	2		
248B	24	PW	D02261	5		28-41-11	D04349J	60		N2	2		
248R	24	PW	D02261	8		28-41-11	D04349J	59		N2			
248Z			D02261	DED		28-41-11	D04349J			N2			
271B	24	PL	D04597J	5		31-51-31	SM00088		W	N2	1		
271R	24	PL	D04597J	2		31-51-31	SM00087		W	N2	1		
272B	24	PL	D01487	63		31-51-31	SM00088		W	N2	1		
272R	24	PL	D01487	62		31-51-31	SM00087		W	N2	1		
273B	24	PL	D00817	63		31-51-32	SM00088		W	N2	1		
273R	24	PL	D00817	62		31-51-32	SM00087		W	N2	1		
290B	24	PW	D04597J	8		34-43-15	SM00104		W	N2	1		
290R	24	PW	D04597J	7		34-43-15	SM00103		W	N2	1		
290Z			D04597J	9		34-43-15	SM00103	REF		N2			
291B	24	PW	D04303J	4		34-43-15	SM00104		W	N2	1		
291R	24	PW	D04303J	3		34-43-15	SM00103		W	N2	1		
291Z			D04303J	5		34-43-15	SM00103	REF		N2			
292B	24	PW	D04347J	53		34-43-15	SM00104		W	N2	1		
292R	24	PW	D04347J	51		34-43-15	SM00103		W	N2	1		
292Z			D04347J	61		34-43-15	SM00103	REF		N2			
301	20	UA	SM00028	REF		31-51-11	GDX0005	S..	2	N2	1		
301B	22	PS	D00811	57		31-51-11	SM00028		W	N2	2		
301R	22	PS	D00811	38		31-51-11	SM00028		W	N2	2		
301Y	22	PS	D00811	58		31-51-11	SM00028		W	N2	2		
301Z			D00811	DED		31-51-11	SM00028	REF		N2			
302B	22	PS	D00811	42		31-51-11	SM00029		W	N2	2		
302R	22	PS	D00811	41		31-51-11	SM00029		W	N2	2		
302Y	22	PS	D00811	43		31-51-11	SM00029		W	N2	2		

286T0045-0BK
Wire Bundle Assembly
Figure 147 (Sheet 12)

25-71-02



BOEING
COMPONENT
MAINTENANCE MANUAL

WIRE			FROM EQUIPMENT			TO EQUIPMENT			WIRE IN2FO				
NUMBER	GA	TYP	NUMBER	TERM	TT	WDM REF	NUMBER	TERM	TT	EMC/SEP	FT	NOTE	EFFECTIVITY
302Z			D00811	DED		31-51-11	SM00028	REF	W	N2	2		
303B	22	PS	D00811	8		31-51-11	SM00026		W	N2			
303R	22	PS	D00811	7		31-51-11	SM00026		W	N2			
303Y	22	PS	D00811	9		31-51-11	SM00026		W	N2			
303Z			D00811	DED		31-51-11	SM00028	REF	W	N2	2		
304B	22	PS	D00811	25		31-51-11	SM00027		W	N2			
304R	22	PS	D00811	24		31-51-11	SM00027		W	N2			
304Y	22	PS	D00811	37		31-51-11	SM00027		W	N2			
304Z			D00811	DED		31-51-11	SM00028	REF	W	N2			
305	20	UA	SM00033	REF		31-51-12	GDX0005	S..	2	N2	1		
305B	22	PS	D00813	8		31-51-12	SM00030		W	N2	2		
305R	22	PS	D00813	7		31-51-12	SM00030		W	N2			
305Y	22	PS	D00813	9		31-51-12	SM00030		W	N2			
305Z			D00813	DED		31-51-12	SM00030	DED	W	N2	2		
306B	22	PS	D00813	25		31-51-12	SM00031		W	N2			
306R	22	PS	D00813	24		31-51-12	SM00031		W	N2			
306Y	22	PS	D00813	37		31-51-12	SM00031		W	N2			
306Z			D00813	DED		31-51-12	SM00031	DED	W	N2			
307B	22	PS	D00813	57		31-51-12	SM00032		W	N2	2		
307R	22	PS	D00813	38		31-51-12	SM00032		W	N2			
307Y	22	PS	D00813	58		31-51-12	SM00032		W	N2			
307Z			D00813	DED		31-51-12	SM00032	DED	W	N2	2		
308B	22	PS	D00813	42		31-51-12	SM00033		W	N2			
308R	22	PS	D00813	41		31-51-12	SM00033		W	N2			
308Y	22	PS	D00813	43		31-51-12	SM00033		W	N2			
308Z			D00813	DED		31-51-12	SM00033	REF	W	N2			
512	24	PK	D02261	20		27-81-31	D04349J	8		N2	2		
601	20	PA	SM00060		W	31-51-11	GDX0004	D..	2	N2			
602	20	PA	SM00061		W	31-51-12	GDX0005	D..	2	N2			
603	24	PV	D04301J	5		31-51-12	M01103	LINE	D	N2	1		
603Z			D04301J	DED		31-51-12	M01103		D	N2			

286T0045-OBK
Wire Bundle Assembly
Figure 147 (Sheet 13)

25-71-02

TESTING & TROUBLE SHOOTING

01

Page 202E

Nov 01/02

WIRE		FROM EQUIPMENT			TO EQUIPMENT			WIRE INFO					
NUMBER	GA	TYP	NUMBER	TERM	TT	WDM REF	NUMBER	TERM	TT	EMC/SEP	FT	NOTE	EFFECTIVITY
604	24	PV	D04301J	4		31-51-12	D00813	4		N2	3		
604Z			D04301J	DED		31-51-12	D00813			N2			
605	24	PV	D00813	1		31-51-12	M01103	LOAD	D	N2	3		
605Z			D00813			31-51-12	M01103	DED		N2			
606	24	PV	D04349J	32		31-51-11	M01102	LINE	D	N2	1		
606Z			D04349J	DED		31-51-11	M01102			N2			
607	24	PV	D04349J	33		31-51-11	D00811	4		N2	3		
607Z			D04349J	DED		31-51-11	D00811			N2			
608	24	PV	D00811	1		31-51-11	M01102	LOAD	D	N2	3		
608Z			D00811			31-51-11	M01102	DED		N2			
610	24	PK	D00823	37		27-32-11	SM00050		W	N2	1		
611	24	PK	D01433	6		31-51-42	D04347J	20		N2	2		
612	24	PK	D01433	4		31-51-42	SM00050		W	N2	1		
613	24	PK	D04349J	30		31-51-31	SM00065		W	N2	1		
614	24	PK	D01487	52		31-51-31	SM00065		W	N2	1		
615	24	PK	D00817	52		31-51-32	SM00065		W	N2	1		
617	24	PK	D01381	11		27-32-12	D00823	56		N2	1		
618	24	PK	D01381	56		27-32-12	D00823	11		N2	1		
619	24	PK	D00823	45		27-32-12	SM00082		W	N2	1		
620	24	PK	D04349J	29		31-51-21	SM00071		W	N2	1		
621	24	PK	D00815	7		31-51-21	SM00071		W	N2	1		
622	24	PK	D01489	2		31-51-33	SM00071		W	N2	1		
623	24	PK	D01489	36		31-51-33	SM00038		W	N2	1		
624	24	PK	D00815	8		31-51-21	SM00045		W	N2	1		
625	24	PK	D01487	9		31-51-31	SM00034		W	N2	1		
628	22	PA	D01487	20		31-51-31	GDX0006	D..	2	N2	2		
629	22	PA	D01487	53		31-51-31	GDX0006	D..	2	N2	2		
630	22	PA	D01487	21		31-51-31	GDX0006	D..	2	N2	2		
631	24	PK	D00817	9		31-51-32	SM00034		W	N2	1		
634	22	PA	D00817	20		31-51-32	GDX0006	D..	2	N2	2		
635	22	PA	D00817	53		31-51-32	GDX0006	D..	2	N2	2		

286T0045-OBK
Wire Bundle Assembly
Figure 147 (Sheet 14)

25-71-02



BOEING
COMPONENT
MAINTENANCE MANUAL

WIRE		FROM EQUIPMENT		TO EQUIPMENT		WIRE INFO							
NUMBER	GA	TYP	NUMBER	TERM	TT	WDM REF	NUMBER	TERM	TT	EMC/SEP	FT	NOTE	EFFECTIVITY
636	22	PA	D00817	21		31-51-32	GDX0006	D..	2	N2	2		
644	22	PQ	D00823	66		27-32-31	D04347J	42		N2	2		
644Z			D00823	DED		27-32-31	D04347J	DED		N2			
646	22	PQ	D01381	66		27-32-31	D04349J	42		N2	2		
646Z			D01381	DED		27-32-31	D04349J	DED		N2			
648	24	PK	D04347J	32		34-16-11	D00821	40		N2	2		
649	24	PK	D04347J	33		34-16-11	SM00038		W	N2	1		
681	24	PK	D01433	10		31-51-43	D04507J	10		N2	2		
682	24	PK	D01433	13		31-51-43	D04347J	46		N2	2		
683	22	PA	D01433	41		31-51-43	SM00081		W	N2	1		
684	20	PA	GDX0001	D..	2	31-51-43	D04349J	47		N2	2		
685	24	PK	D00823	58		27-32-12	D01505	A1		N2	2		
686	24	PK	D00823	8		27-32-11	SM00038		W	N2	1		
687	24	PK	D00823	64		27-32-11	SM00081		W	N2	1		
688	24	PK	D01381	58		27-32-22	D01503	A1		N2	2		
689	24	PK	D01381	45		27-32-22	SM00085		W	N2	1		
692	24	PK	D01381	8		27-32-21	SM00038		W	N2	1		
693	24	PK	D04347J	30		31-51-21	D00815	6		N2	2		
694	22	PA	D04349J	46		31-51-43	SM00081		W	N2	1		
696	20	PA	GDX0003	D..	2	27-32-12	SM00082		W	N2	1		
697	20	PA	GDX0003	D..	2	27-32-22	SM00085		W	N2	1		
701	24	PK	D00815	49		31-51-21	D00815	22		N2			
702	24	PK	D00815	16		31-51-21	D00815	48		N2			
703	24	PK	D00819	6		31-51-41	SM00019		W	N2	1		
704	24	PK	SM00075		W	31-51-41	D04511J	14		N2	1		
705	24	PK	D00819	45		31-51-41	D04511J	12		N2	2		
706	24	PK	D00819	10		31-51-41	D04349J	31		N2	2		
707	24	PK	D00819	21		31-51-41	D04509J	4		N2	2		
708	24	PK	D00819	9		31-51-41	D04349J	7		N2	2		
709	24	PK	D00819	39		31-51-41	SM00044		W	N2	1		
710	24	PK	D00819	43		31-51-41	SM00037		W	N2	1		

286T0045-OBK
Wire Bundle Assembly
Figure 147 (Sheet 15)

25-71-02

TESTING & TROUBLE SHOOTING

01

Page 202G

Nov 01/02

WIRE		FROM EQUIPMENT			TO EQUIPMENT			WIRE INFO					
NUMBER	GA	TYP	NUMBER	TERM	TT	WDM REF	NUMBER	TERM	TT	EMC/ SEP	FT	NOTE	EFFECTIVITY
711	24	PK	D00819	12		31-51-41	D04349J	21		N2	2		
712	24	PK	D00819	53		31-51-41	D04349J	3		N2	2		
713	24	PK	D00819	20		31-51-41	D04347J	9		N2	2		
714	24	PK	D00819	44		31-51-41	D04349J	24		N2	2		
715	24	PK	D04507J	6		31-51-42	SM00019		W	N2	1		
716	24	PK	D01433	34		31-51-42	SM00019		W	N2	1		
717	24	PK	D01433	37		31-51-42	SM00034		W	N2	1		
718	24	PK	D01433	39		31-51-42	D04509J	2		N2	2		
720	24	PK	D01433	52		31-51-42	SM00040		W	N2	1		
721	24	PK	D01433	38		31-51-42	D04347J	24		N2	2		
722	24	PK	D01433	5		31-51-42	D04349J	22		N2	2		
723	24	PK	D04511J	11		31-51-42	SM00038		W	N2	1		
724	24	PK	D01433	40		31-51-42	SM00038		W	N2	1		
725	24	PK	D01433	3		31-51-42	D04347J	13		N2	2		
726	22	PA	D04347J	14		31-51-21	SM00036		W	N2	1		
727	22	PA	D04301J	11		31-51-21	SM00035		W	N2	1		
728	24	PK	D04347J	1		31-51-41	D00819	35		N2	2		
729	24	PK	D04347J	2		31-51-41	D00819	1		N2	2		
730	24	PK	D04347J	3		31-51-41	D00819	36		N2	2		
731	24	PK	D04347J	4		31-51-41	D00819	2		N2	2		
732	24	PK	D04347J	5		31-51-42	D01433	20		N2	2		
733	24	PK	D04347J	16		34-16-11	D00821	65		N2	2		
734	24	PK	D04347J	8		31-51-31	SM00046		W	N2	1		
735	24	PK	D04507J	7		34-16-11	D00821	34		N2	2		
736	24	PK	D04507J	2		34-16-11	D00821	66		N2	2		
737	24	PK	SM00041		W	34-16-11	D00821	31		N2	1		
738	24	PK	D04347J	19		34-16-11	D00821	7		N2	2		
739	24	PK	SM00075		W	34-16-11	D00821	6		N2	1		
741	24	PK	D00821	18		34-16-11	D00821	22		N2	2		
742	24	PK	D00821	50		34-16-11	D00821	48		N2	2		
746	24	PK	D04597J	10		31-51-31	SM00043		W	N2	1		

286T0045-OBK
Wire Bundle Assembly
Figure 147 (Sheet 16)

25-71-02



BOEING
COMPONENT
MAINTENANCE MANUAL

WIRE			FROM EQUIPMENT			TO EQUIPMENT			WIRE INFO				
NUMBER	GA	TYP	NUMBER	TERM	TT	WDM REF	NUMBER	TERM	TT	EMC/SEP	FT	NOTE	EFFECTIVITY
747	24	PK	D01487	46		31-51-31	SM00043		W	N2	1		
748	24	PK	D04347J	7		31-51-31	SM00045		W	N2	1		
749	24	PK	D01487	10		31-51-31	SM00045		W	N2	1		
750	24	PK	D01487	19		31-51-31	SM00046		W	N2	1		
751	24	PK	D01487	13		31-51-31	SM00040		W	N2	1		
752	24	PK	D01487	47		31-51-31	SM00044		W	N2	1		
753	24	PK	D01487	51		31-51-31	SM00041		W	N2	1		
755	24	PV	D01487	1		31-51-31	SM00035		W	N2	1		
755Z			D01487	DED		31-51-31	SM00035	DED		N2			
756	24	PK	D01487	50		31-51-31	SM00036		W	N2	1		
757	24	PK	D01487	49		31-51-31	SM00039		W	N2	1		
758	24	PK	D01487	22		31-51-31	D01489	23		N2	2		
759	24	PK	D01487	55		31-51-31	D01489	47		N2	2		
760	24	PK	D01487	34		31-51-31	D01489	51		N2	2		
761	24	PK	D01487	66		31-51-31	D01489	57		N2	2		
762	24	PK	D00817	10		31-51-32	SM00045		W	N2	1		
763	24	PK	D00817	46		31-51-32	SM00043		W	N2	1		
764	24	PV	D00817	1		31-51-32	SM00035		W	N2	1		
764Z			D00817	DED		31-51-32	SM00035	DED		N2			
765	24	PK	D00817	50		31-51-32	SM00036		W	N2	1		
766	24	PV	D00817	49		31-51-32	SM00053		W	N2	1		
766Z			D00817	DED		31-51-32	SM00053	DED		N2			
767	24	PK	D00817	19		31-51-32	SM00046		W	N2	1		
768	24	PK	D00817	13		31-51-32	SM00040		W	N2	1		
769	24	PK	D00817	47		31-51-32	SM00044		W	N2	1		
770	24	PK	D00817	51		31-51-32	SM00041		W	N2	1		
772	24	PK	D00817	22		31-51-32	D01489	54		N2	2		
773	24	PK	D00817	55		31-51-32	D01489	13		N2	2		
774	24	PK	D00817	34		31-51-32	D01489	25		N2	2		
775	24	PK	D00817	66		31-51-32	D01489	58		N2	2		
776	24	PK	D01489	42		31-51-33	D04347J	15		N2	2		

286T0045-OBK
Wire Bundle Assembly
Figure 147 (Sheet 17)

25-71-02

TESTING & TROUBLE SHOOTING

01

Page 2021

Nov 01/02

WIRE			FROM EQUIPMENT			TO EQUIPMENT			WIRE INFO				
NUMBER	GA	TYP	NUMBER	TERM	TT	WDM REF	NUMBER	TERM	TT	EMC/SEP	FT	NOTE	EFFECTIVITY
777	24	PK	D01489	8		31-51-33	D04349J	13		N2	2		
779	24	PK	D01489	35		31-51-33	D04349J	40		N2	2		
780	24	PK	D01489	53		31-51-33	D04349J	2		N2	2		
781	24	PK	D01489	31		31-51-33	D01489	48		N2			
782	24	PK	D01489	18		31-51-33	D01489	22		N2			
783	24	PK	D01489	38		31-51-33	SM00008		W	N2	1		
784	24	PK	D01489	4		31-51-33	SM00011		W	N2	1		
785	24	PK	D01489	37		31-51-33	SM00012		W	N2	1		
786	24	PK	D01489	3		31-51-33	SM00010		W	N2	1		
787	24	PK	D01489	1		31-51-33	SM00009		W	N2	1		
788	24	PK	D01489	6		31-51-33	SM00034		W	N2	1		
789	24	PK	D01489	41		31-51-33	D04509J	11		N2	2		
791	24	PK	D01489	7		31-51-33	D04509J	10		N2	2		
792	24	PK	D01489	40		31-51-33	D04509J	9		N2	2		
793	24	PK	D00819	11		31-51-41	SM00075		W	N2	1		
794	20	PA	D04303J	10		31-51-32	GDX0004	S..	2	N2	2		
795	24	PK	D01433	9		31-51-42	D01433	48		N2			
796	24	PK	D01433	22		31-51-42	D01433	50		N2			
797	24	PV	D00815	41		31-51-21	SM00053		W	N2	1		
797Z			D00815	DED		31-51-21	SM00053	DED		N2			
798	24	PV	D04349J	9		31-51-21	SM00053		W	N2	1		
798Z			D04349J	DED		31-51-21	SM00053	DED		N2			
817	24	PK	D00823	55		27-32-12	D11553	6		N2	2		
818	24	PK	D00823	21		27-32-12	D11553	4		N2	2		
819	24	PK	D00823	51		27-32-12	D11553	3		N2	2		
820	24	PK	D00823	50		27-32-12	D11553	2		N2	2		
821	24	PK	D00823	49		27-32-12	D11553	7		N2	2		
822	24	PK	D00823	47		27-32-12	D11553	8		N2	2		
823	24	PK	D00823	46		27-32-12	D11553	9		N2	2		
824	24	PK	D00823	53		27-32-12	D11553	5		N2	2		
825	24	PK	D00823	62		27-32-12	D11553	24		N2	2		

286T0045-OBK
Wire Bundle Assembly
Figure 147 (Sheet 18)

25-71-02



BOEING
COMPONENT
MAINTENANCE MANUAL

WIRE			FROM EQUIPMENT			TO EQUIPMENT			WIRE INFO				
NUMBER	GA	TYP	NUMBER	TERM	TT	WDM REF	NUMBER	TERM	TT	EMC/SEP	FT	NOTE	EFFECTIVITY
826	24	PK	D01381	55		27-32-22	D11553	16		N2	2		
827	24	PK	D01381	21		27-32-22	D11553	14		N2	2		
828	24	PK	D01381	51		27-32-22	D11553	13		N2	2		
829	24	PK	D01381	50		27-32-22	D11553	12		N2	2		
830	24	PK	D01381	49		27-32-22	D11553	17		N2	2		
831	24	PK	D01381	47		27-32-22	D11553	18		N2	2		
832	24	PK	D01381	46		27-32-22	D11553	19		N2	2		
833	24	PK	D01381	53		27-32-22	D11553	15		N2	2		
834	24	PK	D01381	62		27-32-22	D11553	34		N2	2		
835	24	PK	D04349J	50		27-32-21	D01381	64		N2	2		
836	20	PA	D04349J	53		27-32-21	GDX0002	S..	2	N2	2		
837	24	PK	D00823	42		27-32-12	SM00082		W	N2	1		
838	24	PK	D01381	42		27-32-22	SM00085		W	N2	1		
842	24	PK	D01381	6		27-32-22	SM00085		W	N2	1		
843	24	PK	D00823	6		27-32-12	SM00082		W	N2	1		
862	22	PA	D02261	30		31-41-35	GDX0006	S..	2	N2	1		
863	22	PA	D02261	32		31-41-35	GDX0006	S..	2	N2	1		
864	22	PA	D02261	33		31-41-35	GDX0006	S..	2	N2	1		
865	22	PA	D02261	64		31-41-35	GDX0006	S..	2	N2	1		
866	24	PV	D02261	27		31-51-11	SM00018	REF	W	N2	1		
866Z			D02261	DED		31-51-11	SM00018	REF		N2			
867	24	PV	D02261	28		31-51-11	SM00047	REF	W	N2	1		
867Z			D02261	DED		31-51-11	SM00047	REF		N2			
868	24	PV	D02261	29		31-51-12	SM00054	REF	W	N2	1		
868Z			D02261	DED		31-51-12	SM00054	REF		N2			
869	24	PK	D02261	34		31-51-12	SM00025	REF	W	N2	1		
870	22	PA	D02261	56		31-51-12	GDX0001	S..	2	N2	2		
871	22	PA	D02261	57		31-51-12	GDX0003	S..	2	N2	2		
872	22	PA	D02261	59		31-51-11	GDX0005	S..	2	N2	1		
873	24	PV	D02261	60		31-51-12	SM00055	REF	W	N2	1		
873Z			D02261	DED		31-51-12	SM00055	REF		N2			

286T0045-OBK
Wire Bundle Assembly
Figure 147 (Sheet 19)

25-71-02

WIRE			FROM EQUIPMENT			TO EQUIPMENT			WIRE INFO				
NUMBER	GA	TYP	NUMBER	TERM	TT	WDM REF	NUMBER	TERM	TT	EMC/SEP	FT	NOTE	EFFECTIVITY
874	24	PV	D02261	62		31-51-11	SM00049		W	N2	1		
874Z			D02261	DED		31-51-11	SM00049	REF	W	N2	1		
875	24	PV	D02261	63		31-51-12	SM00056		W	N2	1		
875Z			D02261	DED		31-51-12	SM00056	REF	W	N2	1		
876	24	PK	D02261	65		31-51-11	SM00022		W	N2	1		
877	24	PV	D00811	14		31-51-11	SM00018		W	N2	2		
877Z			D00811	DED		31-51-11	SM00018	REF	W	N2	2	PAJ-F2	
878	24	PV	D00811	48		31-51-11	SM00047		W	N2	2		
878Z			D00811	DED		31-51-11	SM00047	REF	W	N2	2		
879	24	PV	D00811	23		31-51-11	SM00049		W	N2	2		
879Z			D00811	DED		31-51-11	SM00049	REF	W	N2	2		
880	24	PV	D00813	14		31-51-12	SM00054		W	N2	2		
880Z			D00813	DED		31-51-12	SM00054	REF	W	N2	2		
881	24	PV	D00813	48		31-51-12	SM00055		W	N2	2		
881Z			D00813	DED		31-51-12	SM00055	REF	W	N2	2		
882	24	PV	D00813	23		31-51-12	SM00056		W	N2	2		
882Z			D00813	DED		31-51-12	SM00056	REF	W	N2	2		
883	22	PA	D02261	15		38-32-11	D04349J	26		N2	2		
884	22	PA	D02261	47		38-32-11	D04347J	27		N2	2		
885	24	PK	D04303J	9		31-51-21	SM00057		W	N2	1		
886	24	PK	D04507J	3		31-51-21	SM00058		W	N2	1		
887	24	PK	D04507J	1		31-51-21	SM00058		W	N2	1		
888	24	PK	SM00057		W	31-51-21	D04349J	25		N2	1		

 286T0045-0BK
 Wire Bundle Assembly
 Figure 147 (Sheet 20)

25-71-02



BOEING
COMPONENT
MAINTENANCE MANUAL

WIRE		FROM EQUIPMENT			TO EQUIPMENT			WIRE INFO					
NUMBER	GA	TYP	NUMBER	TERM	TT	WDM REF	NUMBER	TERM	TT	EMC/SEP	FT	NOTE	EFFECTIVITY
FRB			M01103			31-51-12	M01103	GND	D	N2			
FRB			D00813			31-51-12	D00813	59		N2			
FRC			M01102			31-51-11	M01102	GND	D	N2			
FRD			D00811			31-51-11	D00811	59		N2			
FRG			D04349J	58		31-41-35	D04349J			N2			
FRH			D04349J	61		28-41-11	D04349J			N2			
PA1			D00815	47		99-99-99	D00815	63		N2		DAW-B2	
PA2			D00817	8		99-99-99	D00817	57		N2		DAW-B2	
PA3			D00819	41		99-99-99	D00819	55		N2		DAW-B2	
PA4			D00821	43		99-99-99	D00821	60		N2		DAW-B2	
PA5			D00823	52		99-99-99	D00823	65		N2		DAW-B2	
PA6			D01433	44		99-99-99	D01433	61		N2		DAW-B2	
PA7			D01381	52		99-99-99	D01381	65		N2		DAW-B2	
PA8			D01487	8		99-99-99	D01487	57		N2		DAW-B2	
PA9			D01489	56		99-99-99	D01489	65		N2		DAW-B2	
PB1			D01739	7		99-99-99	D01739	62		N2		DAW-B2	
PB2			D01741	7		99-99-99	D01741	62		N2		DAW-B2	
PB4			D02261	54		99-99-99	D02261	61		N2		DAW-B2	
P01		SE	D11553							N2			
1	22	PA	D00811	60		31-51-11	GDX0001	S..	2	N2	3	UAE-F2	
2	22	PA	D00821	14		31-51-11	GDX0002	D..	2	N2	2		
3	24	PV	SM00068		W	31-51-11	D00821	27		N2	1		
003Z			SM00068	REF		31-51-11	D00821			N2			
4	24	PV	SM00069		W	31-51-11	D00821	32		N2	1		
004Z			SM00069	REF		31-51-11	D00821			N2			
5	24	PV	D00811	35		31-51-11	D00821	17		N2	3		
005Z			D00811	DED		31-51-11	D00821			N2			
6	24	PK	SM00022		W	31-51-11	D00821	51		N2	1		
7	24	PK	D00811	65		31-51-11	SM00022		W	N2	2		
8	24	PK	D00819	37		31-51-11	SM00022		W	N2	1		
9	24	PV	D00819	27		31-51-11	D00811	13		N2	3		

286T0045-0BN
Wire Bundle Assembly
Figure 148 (Sheet 1)

25-71-02

WIRE			FROM EQUIPMENT			TO EQUIPMENT			WIRE INFO				
NUMBER	GA	TYP	NUMBER	TERM	TT	WDM REF	NUMBER	TERM	TT	EMC/SEP	FT	NOTE	EFFECTIVITY
009Z			D00811	DED		31-51-11	D00819			N2			
10	22	PA	D00819	14		31-51-11	GDX0001	D..	2	N2	2		
11	24	PK	D01433	51		31-51-11	SM00022		W	N2	1		
12	24	PV	SM00018		W	31-51-11	D01433	27		N2	1		
012Z			SM00018	REF		31-51-11	D01433			N2			
13	24	PV	SM00047		W	31-51-11	D01433	32		N2	1		
013Z			SM00047	REF		31-51-11	D01433			N2			
14	24	PV	SM00049		W	31-51-11	D01433	17		N2	1		
014Z			SM00049	REF		31-51-11	D01433			N2			
15	22	PA	D01433	14		31-51-11	D01433		2	N2	2		
16	20	PA	SM00028		W	31-51-11	GDX0001	D..	2	N2	2		
17	20	UA	GDX0002	S..	2	31-51-11	GDX0005	D..	2	N2	2		
18	20	UA	GDX0005	S..	2	31-51-11	D00821			N2	2		
19	20	UA	D01433		2	31-51-11	D00819			N2	2		
20	20	PA	GDX0005	D..	2	31-51-11	GDX0002	S..	2	N2	2		
21	20	UA	GDX0002	S..	2	31-51-11	SM00029		W	N2	2		
23	20	UA	D00815			31-51-11	D01503		2	N2	2		
24	24	PK	D04349J	38		31-51-11	GDX0002	S..	2	N2	2		
25	24	PK	D01503	A2		31-51-11	SM00005		W	N2	1		
26	20	PA	D01503	A3		31-51-11	SM00005		W	N2	2		
27	22	PQ	D01503	X2		31-51-11	GDX0003	D..	2	N2	2		
027Z			D00811	DED		31-51-11	D00811	75		N2	4		
28	24	PV	D01503	X1		31-51-11	D01503			N2			
028Z			SM00015	REF		31-51-11	SM00015		W	N2	1		
29	24	PV	D00811	46		31-51-11	D01503			N2			
029Z			SM00015	REF		31-51-11	SM00015		W	N2	2		
30	24	PK	SM00015		W	31-51-11	D00811	DED		N2			
32	20	PA	D11553	11		31-51-11	D11553	35		N2	1		
33	24	PK	D11553	37		31-51-11	GDX0003	D..	2	N2	2		
34	24	PK	D11553	36		31-51-11	D00811	34		N2	4		
35	22	PA	D00815	14		31-51-11	D00811	33		N2	4		
						31-51-11	GDX0001	D..	2	N2	2		

286T0045-0BN
Wire Bundle Assembly
Figure 148 (Sheet 2)

25-71-02



BOEING
COMPONENT
MAINTENANCE MANUAL

WIRE			FROM EQUIPMENT			TO EQUIPMENT			WIRE INFO				
NUMBER	GA	TYP	NUMBER	TERM	TT	WDM REF	NUMBER	TERM	TT	EMC/SEP	FT	NOTE	EFFECTIVITY
36	24	PV	D00815	27		31-51-11	D00811	12		N2	3		
036Z			D00811	DED		31-51-11	D00815			N2			
37	24	PV	D00815	32		31-51-11	D00811	17		N2	3		
037Z			D00811	DED		31-51-11	D00815			N2			
38	24	PV	D00815	17		31-51-11	D00811	22		N2	3		
038Z			D00811	DED		31-51-11	D00815			N2			
39	24	PK	D00815	54		31-51-11	SM00020		W	N2	1		
40	24	PK	D00811	63		31-51-11	SM00020		W	N2	2		
41	24	PK	D00823	35		31-51-11	SM00020		W	N2	1		
42	24	PK	D01381	35		31-51-11	SM00020		W	N2	1		
45	22	PA	D01381	14		31-51-11	GDX0001	D..	2	N2	2		
46	22	PA	D01381	48		31-51-11	GDX0003	D..	2	N2	2		
47	24	PV	D01381	27		31-51-11	D00811	11		N2	3		
047Z			D00811	DED		31-51-11	D01381			N2			
48	24	PV	D01381	32		31-51-11	D00811	16		N2	3		
048Z			D00811	DED		31-51-11	D01381			N2			
49	24	PV	D01381	17		31-51-11	D00811	21		N2	3		
049Z			D00811	DED		31-51-11	D01381			N2			
52	22	PA	D00823	14		31-51-11	GDX0001	D..	2	N2	2		
53	22	PA	D00823	48		31-51-11	GDX0003	D..	2	N2	2		
54	24	PV	D00823	27		31-51-11	D00811	10		N2	3		
054Z			D00811	DED		31-51-11	D00823			N2			
55	24	PV	D00823	32		31-51-11	D00811	15		N2	3		
055Z			D00811	DED		31-51-11	D00823			N2			
56	24	PV	D00823	17		31-51-11	D00811	20		N2	3		
056Z			D00811	DED		31-51-11	D00823			N2			
57	22	PA	D00817	14		31-51-11	GDX0002	D..	2	N2	2		
58	24	PV	D00817	27		31-51-11	D00811	51		N2	3		
058Z			D00811	DED		31-51-11	D00817			N2			
59	24	PV	D00817	32		31-51-11	D00811	74		N2	3		
059Z			D00811	DED		31-51-11	D00817			N2			

286T0045-0BN
Wire Bundle Assembly
Figure 148 (Sheet 3)

25-71-02

TESTING & TROUBLE SHOOTING

01

Page 2020

Nov 01/02

WIRE			FROM EQUIPMENT			TO EQUIPMENT			WIRE INFO				
NUMBER	GA	TYP	NUMBER	TERM	TT	WDM REF	NUMBER	TERM	TT	EMC/SEP	FT	NOTE	EFFECTIVITY
60	24	PK	D00817	45		31-51-11	SM00021		W	N2	1		
61	24	PK	D00811	64		31-51-11	SM00021		W	N2	2		
62	24	PK	D01489	16		31-51-11	SM00021		W	N2	1		
63	24	PK	D01487	45		31-51-11	SM00021		W	N2	1		
64	24	PV	D01487	27		31-51-11	D00811	47		N2	3		
064Z			D00811	DED		31-51-11	D01487			N2			
65	24	PV	D01487	32		31-51-11	D00811	70		N2	3		
065Z			D00811	DED		31-51-11	D01487			N2			
66	22	PA	D01487	14		31-51-11	GDX0003	D..	2	N2	2		
67	24	PV	D01489	27		31-51-11	D00811	45		N2	3		
067Z			D00811	DED		31-51-11	D01489			N2			
68	24	PV	D01489	32		31-51-11	D00811	50		N2	3		
068Z			D00811	DED		31-51-11	D01489			N2			
69	24	PV	D01489	17		31-51-11	D00811	36		N2	3		
069Z			D00811	DED		31-51-11	D01489			N2			
70	22	PA	D01489	14		31-51-11	GDX0003	D..	2	N2	2		
71	20	UA	D01381			31-51-11	GDX0002	S..	2	N2	2		
72	20	UA	D00823			31-51-11	GDX0002	S..	2	N2	2		
73	20	UA	D00817			31-51-11	GDX0002	S..	2	N2	2		
74	20	PA	SM00026		W	31-51-11	GDX0005	D..	2	N2	2		
75	20	UA	D01487			31-51-11	GDX0005	S..	2	N2	2		
76	20	UA	GDX0005	S..	2	31-51-11	D01489			N2	2		
77	24	PK	D02261	40		31-41-35	D04349J	1		N2	2		
78	20	PA	SM00027		W	31-51-11	GDX0005	D..	2	N2	2		
79	22	PA	D00813	60		31-51-12	GDX0003	S..	2	N2	2		
80	22	PA	D00821	15		31-51-12	GDX0002	D..	2	N2	2		
81	24	PV	D00821	30		31-51-12	SM00073	REF	W	N2	1		UAE-F2
081Z			D00821			31-51-12	SM00073	REF		N2			
82	24	PV	D00821	33		31-51-12	SM00074	REF	W	N2	1		
082Z			D00821			31-51-12	SM00074	REF		N2			
83	24	PV	D00821	24		31-51-12	D00813	35		N2	3		

286T0045-0BN
Wire Bundle Assembly
Figure 148 (Sheet 4)

25-71-02



BOEING
COMPONENT
MAINTENANCE MANUAL

WIRE			FROM EQUIPMENT			TO EQUIPMENT			WIRE INFO				
NUMBER	GA	TYP	NUMBER	TERM	TT	WDM REF	NUMBER	TERM	TT	EMC/SEP	FT	NOTE	EFFECTIVITY
083Z			D00813	DED		31-51-12	D00821			N2			
84	24	PK	D00821	19		31-51-12	SM00025		W	N2	1		
85	24	PK	D00813	65		31-51-12	SM00025		W	N2	2		
86	24	PK	D00819	3		31-51-12	SM00025		W	N2	1		
87	24	PK	D01433	18		31-51-12	SM00025		W	N2	1		
88	22	PA	D01433	15		31-51-12	GDX0002	D..	2	N2	2		
89	24	PV	D01433	30		31-51-12	SM00054		W	N2	1		
089Z			SM00054	REF		31-51-12	D01433			N2			
90	24	PV	D01433	33		31-51-12	SM00055		W	N2	1		
090Z			SM00055	REF		31-51-12	D01433			N2			
91	24	PV	D01433	24		31-51-12	SM00056		W	N2	1		
091Z			SM00056	REF		31-51-12	D01433			N2			
92	22	PA	D00819	15		31-51-12	GDX0002	D..	2	N2	2		
93	24	PV	D00819	30		31-51-12	D00813	13		N2	3		
093Z			D00813	DED		31-51-12	D00819			N2			
94	20	PA	SM00032		W	31-51-12	GDX0005	D..	2	N2			
95	24	PV	D01505	X2		31-51-12	D00813	75		N2	3		
095Z			D00813	DED		31-51-12	D01505			N2			
96	24	PV	D01505	X1		31-51-12	SM00016		W	N2	1		
096Z			SM00016	REF		31-51-12	D01505			N2			
97	24	PV	D00813	46		31-51-12	SM00016		W	N2	2		
097Z			SM00016	REF		31-51-12	D00813	DED		N2			
98	20	PA	SM00033		W	31-51-12	GDX0005	D..	2	N2			
99	24	PK	SM00016		W	31-51-12	D11553	25		N2	1		
10A	24	PK	D01489	21		31-51-33	D04349J	23		N2	2		
100	20	PA	D11553	1		31-51-12	GDX0003	D..	2	N2	2		
101	20	UA	D00821			31-51-12	GDX0004	S..	2	N2	2		
102	20	UA	D00819			31-51-12	GDX0004	S..	2	N2	2		
103	20	UA	D01433			31-51-12	GDX0004	S..	2	N2	2		
104	20	UA	D01505			31-51-12	GDX0005	S..	2	N2	2		
106	20	UA	D00815			31-51-12	GDX0004	S..	2	N2	2		

286T0045-0BN
Wire Bundle Assembly
Figure 148 (Sheet 5)

25-71-02

TESTING & TROUBLE SHOOTING

01

Page 202Q

Nov 01/02

WIRE			FROM EQUIPMENT			TO EQUIPMENT			WIRE INFO				
NUMBER	GA	TYP	NUMBER	TERM	TT	WDM REF	NUMBER	TERM	TT	EMC/SEP	FT	NOTE	EFFECTIVITY
107	20	UA	D01381			31-51-12	GDX0004	S..	2	N2	2		
109	20	UA	D00817			31-51-12	GDX0004	S..	2	N2	2		
110	20	UA	D01487			31-51-12	GDX0001	S..	2	N2	2		
111	20	UA	D01489			31-51-12	GDX0001	S..	2	N2	2		
112	22	PA	D00815	15		31-51-12	GDX0001	D..	2	N2	2		
113	24	PK	D01505	A2		31-51-12	SM00005		W	N2	1		
114	20	PA	D01505	A3		31-51-12	GDX0003	D..	2	N2	2		
115	24	PK	D02261	21		21-61-51	D04347J	25		N2	2		
116	24	PK	D00815	21		31-51-12	SM00023		W	N2	1		
117	24	PK	D00813	63		31-51-12	SM00023		W	N2	2		
118	24	PK	D00823	1		31-51-12	SM00023		W	N2	1		
119	24	PK	D01381	1		31-51-12	SM00023		W	N2	1		
120	22	PA	D01381	15		31-51-12	GDX0001	D..	2	N2	2		
121	24	PK	D00817	56		31-51-12	SM00024		W	N2	1		
122	24	PK	D00813	64		31-51-12	SM00024		W	N2	2		
123	24	PK	D01487	56		31-51-12	SM00024		W	N2	1		
124	22	PA	D00823	15		31-51-12	GDX0001	D..	2	N2	2		
125	20	UA	D00823			31-51-12	GDX0004	S..	2	N2	2		
126	24	PV	D00823	33		31-51-12	D00813		2	N2	3		
126Z			D00823			31-51-12	D00813	DED		N2			
127	24	PV	D00823	24		31-51-12	D00813	20		N2	3		
127Z			D00823			31-51-12	D00813	DED		N2			
128	22	PA	D00817	15		31-51-12	GDX0002	D..	2	N2	2		
129	24	PV	D00817	30		31-51-12	D00813	51		N2	3		
129Z			D00817			31-51-12	D00813	DED		N2			
130	24	PV	D00817	33		31-51-12	D00813	74		N2	3		
130Z			D00817			31-51-12	D00813	DED		N2			
131	24	PV	D00813	11		31-51-12	D01381	30		N2	3		
131Z			D01381			31-51-12	D00813	DED		N2			
132	24	PV	D00813	16		31-51-12	D01381	33		N2	3		
132Z			D01381			31-51-12	D00813	DED		N2			

286T0045-0BN
Wire Bundle Assembly
Figure 148 (Sheet 6)

25-71-02



BOEING
COMPONENT
MAINTENANCE MANUAL

WIRE		FROM EQUIPMENT			TO EQUIPMENT			WIRE INFO					
NUMBER	GA	TYP	NUMBER	TERM	TT	WDM REF	NUMBER	TERM	TT	EMC/SEP	FT	NOTE	EFFECTIVITY
133	24	PV	D01381	24		31-51-12	D00813	21		N2	3		
133Z			D01381			31-51-12	D00813	DED		N2			
134	24	PK	D01489	50		31-51-12	SM00024		W	N2	1		
135	24	PV	D01487	30		31-51-12	D00813	47		N2	3		
135Z			D01487			31-51-12	D00813	DED		N2			
136	24	PV	D01487	33		31-51-12	D00813	70		N2	3		
136Z			D01487			31-51-12	D00813	DED		N2			
137	22	PA	D01487	15		31-51-12	GDX0003	D..	2	N2	2		
138	24	PV	D01489	30		31-51-12	D00813	45		N2	3		
138Z			D01489			31-51-12	D00813	DED		N2			
139	24	PV	D01489	33		31-51-12	D00813	50		N2	3		
139Z			D01489			31-51-12	D00813	DED		N2			
140	24	PV	D01489	24		31-51-12	D00813	36		N2	3		
140Z			D01489			31-51-12	D00813	DED		N2			
141	22	PA	D01489	15		31-51-12	GDX0003	D..	2	N2	2		
142	24	PK	D00813	33		31-51-12	D11553	26		N2	3		
143	24	PK	D11553	27		31-51-12	D00813	34		N2	3		
144	24	PV	D00813	12		31-51-12	D00815	30		N2	3		
144Z			D00813	DED		31-51-12	D00815			N2			
145	20	PA	SM00030		W	31-51-12	GDX0005	D..	2	N2			
146	24	PV	D00813	17		31-51-12	D00815	33		N2	3		
146Z			D00813	DED		31-51-12	D00815			N2			
147	24	PV	D00813	22		31-51-12	D00815	24		N2	3		
147Z			D00813	DED		31-51-12	D00815			N2			
148	24	PV	D00813	10		31-51-12	D00823	30		N2	3		
148Z			D00813	DED		31-51-12	D00823			N2			
149	20	PA	SM00031		W	31-51-12	GDX0005	D..	2	N2			
150	22	PA	D04301J	6		27-32-11	D00823	34		N2	2		
151	24	PK	D04509J	1		27-32-11	D00823	39		N2	2		
152	24	PK	D04347J	26		27-32-11	D00823	40		N2	2		
153	24	PK	D00823	31		27-32-11	D04509J	6		N2	2		

286T0045-0BN
Wire Bundle Assembly
Figure 148 (Sheet 7)

25-71-02

TESTING & TROUBLE SHOOTING

01

Page 202S

Nov 01/02

WIRE			FROM EQUIPMENT				TO EQUIPMENT				WIRE INFO			
NUMBER	GA	TYP	NUMBER	TERM	TT	WDM REF	NUMBER	TERM	TT	EMC/SEP	FT	NOTE	EFFECTIVITY	
154	20	PA	D04509J	7		27-32-11	GDX0001	D..	2	N2	2			
155	24	PK	SM00037		W	27-32-11	D04511J	3		N2	1			
156	24	PK	D00823	38		27-32-11	D04511J	2		N2	2			
157	24	PK	D04511J	4		27-32-11	SM00050		W	N2	1			
158	24	PK	SM00037		W	27-32-11	D00823	4		N2	1			
159	24	PK	D04349J	14		27-32-11	D00823	36		N2	1			
160	24	PK	D04349J	15		27-32-11	D00823	3		N2	1			
161	24	PK	D04349J	16		27-32-11	D00823	43		N2	1			
162	24	PK	D04349J	10		27-32-11	D00823	2		N2	1			
165	22	PA	D04349J	11		27-32-21	D01381	34		N2	2			
166	24	PK	D01381	40		27-32-21	D04349J	6		N2	2			
167	24	PK	D01381	31		27-32-21	D04511J	7		N2	2			
168	20	PA	GDX0002	D..	2	27-32-21	D04511J	8		N2	2			
169	24	PK	D04349J	34		27-32-21	D01381	36		N2	2			
170	24	PK	D04349J	35		27-32-21	D01381	3		N2	2			
171	24	PK	D04349J	36		27-32-21	D01381	43		N2	2			
172	24	PK	D04349J	37		27-32-21	D01381	2		N2	2			
173	24	PK	D04511J	13		27-32-21	D01381	4		N2	2			
174	24	PK	D04511J	16		27-32-21	D01381	37		N2	2			
175	24	PK	D04511J	15		27-32-21	D01381	38		N2	2			
176	24	PK	D04509J	8		27-32-21	D01381	39		N2	2			
177	24	PK	D00815	34		31-51-21	SM00057		W	N2	1			
178	24	PK	D00815	43		31-51-21	D01433	19		N2	2			
179	24	PK	D00815	10		31-51-21	D00819	5		N2	2			
180	24	PK	D04507J	5		31-51-21	SM00034		W	N2	1			
181	24	PK	SM00058		W	31-51-21	D00815	66		N2	1			
182	24	PK	D00815	4		31-51-21	SM00034		W	N2	1			
183	24	PK	D00815	11		31-51-21	D04349J	39		N2	2			
184	22	PA	D00815	37		31-51-21	SM00035		W	N2	1			
185	22	PA	D00815	42		31-51-21	SM00036		W	N2	1			
186	24	PK	D04349J	5		31-51-21	SM00012		W	N2	1			

286T0045-0BN
Wire Bundle Assembly
Figure 148 (Sheet 8)

25-71-02



BOEING
COMPONENT
MAINTENANCE MANUAL

WIRE			FROM EQUIPMENT			TO EQUIPMENT			WIRE INFO				
NUMBER	GA	TYP	NUMBER	TERM	TT	WDM REF	NUMBER	TERM	TT	EMC/SEP	FT	NOTE	EFFECTIVITY
187	24	PK	D00815	2		31-51-21	SM00012		W	N2	1		
188	24	PK	SM00011		W	31-51-21	D04349J	4		N2	1		
189	24	PK	SM00011		W	31-51-21	D00815	35		N2	1		
190	24	PK	D04349J	12		31-51-21	SM00009		W	N2	1		
191	24	PK	D00815	44		31-51-21	SM00009		W	N2	1		
192	24	PK	D04347J	10		31-51-21	SM00008		W	N2	1		
193	24	PK	D00815	1		31-51-21	SM00008		W	N2	1		
194	24	PK	D04347J	11		31-51-21	SM00010		W	N2	1		
195	24	PK	D00815	36		31-51-21	SM00010		W	N2	1		
196	24	PK	SM00039		W	31-51-21	D04347J	21		N2	1		
197	24	PK	D00815	45		31-51-21	SM00039		W	N2	1		
198	24	PK	D00815	46		31-51-21	D04347J	6		N2	2		
199	20	PA	GDX0004	S..	2	31-51-31	D04597J	14		N2	2		
201B	24	PW	D01489	43		31-51-33	SM00004		W	N2	1		
201R	24	PW	D01489	9		31-51-33	SM00003		W	N2	2		
201Z			D01489	DED		31-51-33	SM00003	REF		N2	2		
204	20	UA	D04507J			27-32-11	GDX0004	S..	2	N2	2		
204B	24	PW	D00823	18		27-32-11	D04507J	12		N2	1		
204R	24	PW	D00823	16		27-32-11	D04507J	11		N2	2		
204Z			D04507J			27-32-11	D00823	DED		N2	2		
205B	24	PW	D00815	19		31-51-21	SM00007		W	N2	1	PAJ-F2	
205R	24	PW	D00815	52		31-51-21	SM00006		W	N2	2		
205Z			D00815	DED		31-51-21	SM00006			N2	2		
207	20	UA	D04597J			31-51-21	GDX0004	S..	2	N2	2		
207B	24	PW	SM00007		W	31-51-21	D04597J	4		N2	1		
207R	24	PW	SM00006		W	31-51-21	D04597J	3		N2	2		
207Z			SM00006			31-51-21	D04597J			N2	2		
208	20	UA	D04301J			34-16-11	GDX0002	S..	2	N2	2		
208B	24	PW	D00821	36		34-16-11	D04301J	9		N2	2		
208R	24	PW	D00821	2		34-16-11	D04301J	8		N2	2		
208Z			D00821	DED		34-16-11	D04301J			N2	2		

286T0045-0BN
Wire Bundle Assembly
Figure 148 (Sheet 9)

25-71-02

TESTING & TROUBLE SHOOTING

01

Page 202U

Nov 01/02

WIRE			FROM EQUIPMENT			TO EQUIPMENT			WIRE INFO				
NUMBER	GA	TYP	NUMBER	TERM	TT	WDM REF	NUMBER	TERM	TT	EMC/SEP	FT	NOTE	EFFECTIVITY
209B	24	PW	D01489	46		31-51-33	SM00007		W	N2	1		
209R	24	PW	D01489	12		31-51-33	SM00006		W	N2			
209Z			D01489	DED		31-51-33	SM00006			N2			
212B	24	PW	D01433	36		31-51-42	SM00007		W	N2	1		
212R	24	PW	D01433	2		31-51-42	SM00006		W	N2			
212Z			D01433	DED		31-51-42	SM00006			N2			
213	20	UA	D04507J			34-16-11	GDX0004	S..	2	N2	2		
213B	24	PW	D00821	35		34-16-11	D04507J	8		N2	2		
213R	24	PW	D00821	1		34-16-11	D04507J	9		N2			
213Z			D00821	DED		34-16-11	D04507J			N2			
214	20	UA	D04349J			34-16-11	GDX0004	S..	2	N2	2		
214B	24	PW	D00821	37		34-16-11	D04349J	19		N2	2		
214R	24	PW	D00821	3		34-16-11	D04349J	18		N2			
214Z			D00821	DED		34-16-11	D04349J			N2			
215B	24	PL	D01487	24		31-51-31	D04597J	12		N2	2		
215R	24	PL	D01487	23		31-51-31	D04597J	13		N2			
216B	24	PL	D00817	24		31-51-32	D04303J	12		N2	2		
216R	24	PL	D00817	23		31-51-32	D04303J	11		N2			
221B	24	PW	D01489	45		31-51-33	SM00004		W	N2	1		
221R	24	PW	D01489	11		31-51-33	SM00003		W	N2			
221Z			D01489	DED		31-51-33	SM00003	REF		N2			
223B	24	PW	D00821	38		34-16-11	SM00004		W	N2	1		
223R	24	PW	D00821	4		34-16-11	SM00003		W	N2			
223Z			D00821	DED		34-16-11	SM00003	REF		N2			
224	20	UA	D04349J			27-32-21	GDX0004	S..	2	N2	2		
224B	24	PW	D04349J	28		27-32-21	D01381	18		N2	2		
224R	24	PW	D04349J	27		27-32-21	D01381	16		N2			
224Z			D04349J	DED		27-32-21	D01381	DED		N2			
225B	22	PR	D00811	69		31-51-11	SM00060		W	N2	2		
225R	22	PR	D00811	68		31-51-11	SM00060		W	N2			
225Z			D00811	DED		31-51-11	SM00028	REF		N2			

286T0045-0BN
Wire Bundle Assembly
Figure 148 (Sheet 10)

25-71-02



BOEING
COMPONENT
MAINTENANCE MANUAL

WIRE			FROM EQUIPMENT			TO EQUIPMENT			WIRE INFO				
NUMBER	GA	TYP	NUMBER	TERM	TT	WDM REF	NUMBER	TERM	TT	EMC/SEP	FT	NOTE	EFFECTIVITY
226B	22	PR	D00813	69		31-51-12	SM00061		W	N2	2		
226R	22	PR	D00813	68		31-51-12	SM00061		W	N2			
226Z			D00813	DED		31-51-12	SM00030	REF		N2			
230	20	UA	D04347J	18		31-51-33	GDX0003	S..	2	N2	2		
230B	24	PW	D04347J	17		31-51-33	SM00004		W	N2	1		
230R	24	PW	D04347J			31-51-33	SM00003		W	N2			
230Z			D04347J			31-51-33	SM00003	REF		N2			
236	20	UA	D04347J			27-32-11	GDX0001	S..	2	N2	2		
236B	24	PW	D04347J	37		27-32-11	D00823	54		N2	2		
236R	24	PW	D04347J	36		27-32-11	D00823	23		N2			
236Z			D04347J			27-32-11	D00823	DED		N2			
237B	24	PW	D04347J	40		27-32-11	D00823	13		N2	2		
237R	24	PW	D04347J	39		27-32-11	D00823	12		N2			
237Z			D04347J			27-32-11	D00823	DED		N2			
238	20	UA	D04349J			27-32-21	GDX0001	S..	2	N2	2		
238B	24	PW	D04349J	49		27-32-21	D01381	54		N2	2		
238R	24	PW	D04349J	48		27-32-21	D01381	23		N2			
238Z			D04349J			27-32-21	D01381	DED		N2			
239B	24	PW	D01381	20		27-32-21	D04349J	55		N2	2		
239R	24	PW	D01381	19		27-32-21	D04349J	54		N2			
239Z			D01381	DED		27-32-21	D04349J			N2			
240B	24	PL	D04347J	23		31-51-31	SM00080		W	N2	1		
240R	24	PL	D04347J	22		31-51-31	SM00042		W	N2			
241B	24	PL	D01487	60		31-51-31	SM00080		W	N2	1		
241R	24	PL	D01487	28		31-51-31	SM00042		W	N2			
242B	24	PL	D00817	60		31-51-32	SM00080		W	N2	1		
242R	24	PL	D00817	28		31-51-32	SM00042		W	N2			
243B	24	PW	D04349J	52		27-32-21	D01381	13		N2	2		
243R	24	PW	D04349J	51		27-32-21	D01381	12		N2			
243Z			D04349J			27-32-21	D01381	DED		N2			
245B	24	PW	D00823	20		27-32-11	D04347J	48		N2	2		

286T0045-0BN
Wire Bundle Assembly
Figure 148 (Sheet 11)

25-71-02

TESTING & TROUBLE SHOOTING

01

Page 202W

Nov 01/02

WIRE			FROM EQUIPMENT				TO EQUIPMENT				WIRE INFO			
NUMBER	GA	TYP	NUMBER	TERM	TT	WDM REF	NUMBER	TERM	TT	EMC/SEP	FT	NOTE	EFFECTIVITY	
245R	24	PW	D00823	19		27-32-11	D04347J	47		N2				
245Z			D00823	DED		27-32-11	D04347J			N2				
247	20	UA	D04349J			31-41-35	GDX0006	S..	2	N2	2			
247B	24	PW	D02261	42		31-41-35	D04349J	57		N2	2			
247R	24	PW	D02261	43		31-41-35	D04349J	56		N2				
247Z			D02261	DED		31-41-35	D04349J			N2				
248	20	UA	D04349J			28-41-11	GDX0006	S..	2	N2	2			
248B	24	PW	D02261	5		28-41-11	D04349J	60		N2	2			
248R	24	PW	D02261	8		28-41-11	D04349J	59		N2				
248Z			D02261	DED		28-41-11	D04349J			N2				
271B	24	PL	D04597J	5		31-51-31	SM00088		W	N2	1			
271R	24	PL	D04597J	2		31-51-31	SM00087		W	N2				
272B	24	PL	D01487	63		31-51-31	SM00088		W	N2	1			
272R	24	PL	D01487	62		31-51-31	SM00087		W	N2				
273B	24	PL	D00817	63		31-51-32	SM00088		W	N2	1			
273R	24	PL	D00817	62		31-51-32	SM00087		W	N2				
290B	24	PW	D04597J	8		34-43-15	SM00104		W	N2	1			
290R	24	PW	D04597J	7		34-43-15	SM00103	REF	W	N2				
290Z			D04597J	9		34-43-15	SM00103		W	N2	1			
291B	24	PW	D04303J	4		34-43-15	SM00104		W	N2				
291R	24	PW	D04303J	3		34-43-15	SM00103		W	N2				
291Z			D04303J	5		34-43-15	SM00103	REF	W	N2				
292B	24	PW	D04347J	53		34-43-15	SM00104		W	N2	1			
292R	24	PW	D04347J	51		34-43-15	SM00103		W	N2				
292Z			D04347J	61		34-43-15	SM00103	REF	W	N2				
301	20	UA	SM00028	REF		31-51-11	GDX0005	S..	2	N2	1			
301B	22	PS	D00811	57		31-51-11	SM00028		W	N2	2			
301R	22	PS	D00811	38		31-51-11	SM00028		W	N2				
301Y	22	PS	D00811	58		31-51-11	SM00028		W	N2				
301Z			D00811	DED		31-51-11	SM00028	REF	W	N2				
302B	22	PS	D00811	42		31-51-11	SM00029		W	N2	2			

286T0045-0BN
Wire Bundle Assembly
Figure 148 (Sheet 12)

25-71-02



BOEING
COMPONENT
MAINTENANCE MANUAL

WIRE			FROM EQUIPMENT			TO EQUIPMENT			WIRE INFO				
NUMBER	GA	TYP	NUMBER	TERM	TT	WDM REF	NUMBER	TERM	TT	EMC/SEP	FT	NOTE	EFFECTIVITY
302R	22	PS	D00811	41		31-51-11	SM00029		W	N2			
302Y	22	PS	D00811	43		31-51-11	SM00029		W	N2			
302Z			D00811	DED		31-51-11	SM00028	REF		N2			
303B	22	PS	D00811	8		31-51-11	SM00026		W	N2	2		
303R	22	PS	D00811	7		31-51-11	SM00026		W	N2			
303Y	22	PS	D00811	9		31-51-11	SM00026		W	N2			
303Z			D00811	DED		31-51-11	SM00028	REF		N2	2		
304B	22	PS	D00811	25		31-51-11	SM00027		W	N2			
304R	22	PS	D00811	24		31-51-11	SM00027		W	N2			
304Y	22	PS	D00811	37		31-51-11	SM00027		W	N2			
304Z			D00811	DED		31-51-11	SM00028	REF		N2			
305	20	UA	SM00030	REF		31-51-12	GDX0005	S..	2	N2	1		
305B	22	PS	D00813	8		31-51-12	SM00030		W	N2	2		
305R	22	PS	D00813	7		31-51-12	SM00030		W	N2			
305Y	22	PS	D00813	9		31-51-12	SM00030		W	N2			
305Z			D00813	DED		31-51-12	SM00030	REF		N2			
306B	22	PS	D00813	25		31-51-12	SM00031		W	N2	2		
306R	22	PS	D00813	24		31-51-12	SM00031		W	N2			
306Y	22	PS	D00813	37		31-51-12	SM00031		W	N2			
306Z			D00813	DED		31-51-12	SM00030	REF		N2			
307B	22	PS	D00813	57		31-51-12	SM00032		W	N2	2		
307R	22	PS	D00813	38		31-51-12	SM00032		W	N2			
307Y	22	PS	D00813	58		31-51-12	SM00032		W	N2			
307Z			D00813	DED		31-51-12	SM00030	REF		N2			
308B	22	PS	D00813	42		31-51-12	SM00033		W	N2	2		
308R	22	PS	D00813	41		31-51-12	SM00033		W	N2			
308Y	22	PS	D00813	43		31-51-12	SM00033		W	N2			
308Z			D00813	DED		31-51-12	SM00030	REF		N2			
512	24	PK	D02261	20		27-81-31	D04349J	8		N2	2		
601	20	PA	SM00060		W	31-51-11	GDX0004	D..	2	N2			
602	20	PA	SM00061		W	31-51-12	GDX0005	D..	2	N2			

286T0045-0BN
Wire Bundle Assembly
Figure 148 (Sheet 13)

25-71-02

WIRE			FROM EQUIPMENT				TO EQUIPMENT				WIRE INFO			
NUMBER	GA	TYP	NUMBER	TERM	TT	WDM REF	NUMBER	TERM	TT	EMC/SEP	FT	NOTE	EFFECTIVITY	
603	24	PV	D04301J	5		31-51-12	M01103	INE	D	N2	1			
603Z			D04301J	DED		31-51-12	M01103			N2				
604	24	PV	D04301J	4		31-51-12	D00813	4		N2	3			
604Z			D04301J	DED		31-51-12	D00813			N2				
605	24	PV	D00813	1		31-51-12	M01103	OAD	D	N2	3			
605Z			D00813			31-51-12	M01103	DED		N2				
606	24	PV	D04349J	32		31-51-11	M01102	INE	D	N2	1			
606Z			D04349J	DED		31-51-11	M01102			N2				
607	24	PV	D04349J	33		31-51-11	D00811	4		N2	3			
607Z			D04349J	DED		31-51-11	D00811			N2				
608	24	PV	D00811	1		31-51-11	M01102	OAD	D	N2	3			
608Z			D00811			31-51-11	M01102	DED		N2				
610	24	PK	D00823	37		27-32-11	SM00050		W	N2	1			
611	24	PK	D01433	6		31-51-42	D04347J	20		N2	2			
612	24	PK	D01433	4		31-51-42	SM00050		W	N2	1			
613	24	PK	D04349J	30		31-51-31	SM00065		W	N2	1			
614	24	PK	D01487	52		31-51-31	SM00065		W	N2	1			
615	24	PK	D00817	52		31-51-32	SM00065		W	N2	1			
617	24	PK	D01381	11		27-32-12	D00823	56		N2	1			
618	24	PK	D01381	56		27-32-12	D00823	11		N2	1			
619	24	PK	D00823	45		27-32-12	SM00082		W	N2	1			
620	24	PK	D04349J	29		31-51-21	SM00071		W	N2	1			
621	24	PK	D00815	7		31-51-21	SM00071		W	N2	1			
622	24	PK	D01489	2		31-51-33	SM00071		W	N2	1			
623	24	PK	D01489	36		31-51-33	SM00038		W	N2	1			
624	24	PK	D00815	8		31-51-21	SM00045		W	N2	1			
625	24	PK	D01487	9		31-51-31	SM00034		W	N2	1			
631	24	PK	D00817	9		31-51-32	SM00034		W	N2	1			
644	22	PQ	D00823	66		27-32-31	D04347J	42		N2	2			
644Z			D00823	DED		27-32-31	D04347J	DED		N2				
646	22	PQ	D01381	66		27-32-31	D04349J	42		N2	2			

286T0045-0BN
Wire Bundle Assembly
Figure 148 (Sheet 14)

25-71-02



BOEING
COMPONENT
MAINTENANCE MANUAL

WIRE			FROM EQUIPMENT			TO EQUIPMENT			WIRE INFO				
NUMBER	GA	TYP	NUMBER	TERM	TT	WDM REF	NUMBER	TERM	TT	EMC/SEP	FT	NOTE	EFFECTIVITY
646Z			D01381	DED		27-32-31	D04349J	DED		N2			
648	24	PK	D00821	40		34-16-11	D04347J	32		N2	2		
649	24	PK	SM00038		W	34-16-11	D04347J	33		N2	1		
652	24	PV	D00811	26		31-51-11	SM00068		W	N2	2		
652Z			D00811	DED		31-51-11	SM00068	REF		N2			
653	24	PV	D00811	49		31-51-11	SM00069	REF	W	N2	2		
653Z			D00811	DED		31-51-11	SM00069	REF		N2			
654	24	PV	D01739	27		31-51-11	SM00068	REF	W	N2	1		
654Z			D01739	DED		31-51-11	SM00068	REF		N2			
655	24	PV	D01739	32		31-51-11	SM00069	REF	W	N2	1		
655Z			D01739	DED		31-51-11	SM00069	REF		N2			
656	24	PK	D01739	10		31-51-11	SM00022		W	N2	1		
657	22	PA	D01739	14		31-51-11	GDX0006	D..	2	N2	2		
658	24	PV	D01741	27		31-51-11	D00811	62		N2	3		
658Z			D01741	DED		31-51-11	D00811	DED		N2			
659	24	PV	D01741	32		31-51-11	D00811	76		N2	3		
659Z			D01741	DED		31-51-11	D00811	DED		N2			
660	20	UA	D01741			31-51-11	GDX0006	S..	2	N2	1		
661	24	PK	D01741	10		31-51-11	D00811	66		N2	3		
662	22	PA	D01741	14		31-51-11	GDX0006	D..	2	N2	1		
663	24	PV	D00813	26		31-51-12	SM00073		W	N2	2		
663Z			D00813	DED		31-51-12	SM00073	REF		N2			
664	24	PV	D00813	49		31-51-12	SM00074		W	N2	2		
664Z			D00813	DED		31-51-12	SM00074	REF		N2			
665	24	PV	D01739	30		31-51-12	SM00073		W	N2	1		
665Z			D01739	DED		31-51-12	SM00073	REF		N2			
666	24	PV	D01739	33		31-51-12	SM00074		W	N2	1		
666Z			D01739	DED		31-51-12	SM00074	REF		N2			
667	24	PK	D01739	9		31-51-12	SM00025		W	N2	1		
668	22	PA	D01739	15		31-51-12	GDX0006	D..	2	N2	2		
669	24	PV	D01741	30		31-51-12	D00813	62		N2	2		

286T0045-0BN
Wire Bundle Assembly
Figure 148 (Sheet 15)

25-71-02

WIRE			FROM EQUIPMENT				TO EQUIPMENT				WIRE INFO			
NUMBER	GA	TYP	NUMBER	TERM	TT	WDM REF	NUMBER	TERM	TT	EMC/SEP	FT	NOTE	EFFECTIVITY	
669Z			D01741			31-51-12	D00813	DED		N2				
670	24	PV	D01741	33		31-51-12	D00813	76		N2	2			
670Z			D01741			31-51-12	D00813	DED		N2				
671	20	UA	D01741			31-51-12	GDX0006	S..	2	N2	1			
672	24	PK	D01741	9		31-51-12	D00813	66		N2	2			
673	22	PA	D01741	15		31-51-12	GDX0006	D..	2	N2	1			
674	24	PK	D01739	24		31-51-31	D01487	53		N2	2			
675	24	PK	D01741	24		31-51-32	D00817	53		N2	2			
676	24	PK	D01739	1		31-51-35	SM00036		W	N2	1			
677	24	PK	D01739	3		31-51-35	SM00035		W	N2	1			
679	24	PK	D01741	1		31-51-36	SM00036		W	N2	1			
680	24	PK	D01741	3		31-51-36	SM00035		W	N2	1			
681	24	PK	D01433	10		31-51-43	D04507J	10		N2	2			
682	24	PK	D01433	13		31-51-43	D04347J	46		N2	2			
683	22	PA	D01433	41		31-51-43	SM00081		W	N2	1			
684	20	PA	GDX0001	D..	2	31-51-43	D04349J	47		N2	2			
685	24	PK	D00823	58		27-32-12	D01505	A1		N2	2			
686	24	PK	D00823	8		27-32-11	SM00038		W	N2	1			
687	24	PK	D00823	64		27-32-11	SM00081		W	N2	1			
688	24	PK	D01381	58		27-32-22	D01503	A1		N2	2			
689	24	PK	D01381	45		27-32-22	SM00085		W	N2	1			
692	24	PK	D01381	8		27-32-21	SM00038		W	N2	1			
693	24	PK	D04347J	30		31-51-21	D00815	6		N2	2			
694	22	PA	D04349J	46		31-51-43	SM00081		W	N2	1			
696	20	PA	GDX0003	D..	2	27-32-12	SM00082		W	N2	1			
697	20	PA	GDX0003	D..	2	27-32-22	SM00085		W	N2	1			
701	24	PK	D00815	49		31-51-21	D00815	22		N2				
702	24	PK	D00815	16		31-51-21	D00815	48		N2				
703	24	PK	D00819	6		31-51-41	SM00019		W	N2	1			
704	24	PK	SM00075		W	31-51-41	D04511J	14		N2	1			
705	24	PK	D00819	45		31-51-41	D04511J	12		N2	2			

286T0045-0BN
Wire Bundle Assembly
Figure 148 (Sheet 16)

25-71-02



BOEING
COMPONENT
MAINTENANCE MANUAL

WIRE			FROM EQUIPMENT			TO EQUIPMENT			WIRE INFO				
NUMBER	GA	TYP	NUMBER	TERM	TT	WDM REF	NUMBER	TERM	TT	EMC/SEP	FT	NOTE	EFFECTIVITY
706	24	PK	D00819	10		31-51-41	D04349J	31		N2	2		
707	24	PK	D00819	21		31-51-41	D04509J	4		N2	2		
708	24	PK	D00819	9		31-51-41	D04349J	7		N2	2		
709	24	PK	D00819	39		31-51-41	SM00044		W	N2	1		
710	24	PK	D00819	43		31-51-41	SM00037		W	N2	1		
711	24	PK	D00819	12		31-51-41	D04349J	21		N2	2		
712	24	PK	D00819	53		31-51-41	D04349J	3		N2	2		
713	24	PK	D00819	20		31-51-41	D04347J	9		N2	2		
714	24	PK	D00819	44		31-51-41	D04349J	24		N2	2		
715	24	PK	D04507J	6		31-51-42	SM00019		W	N2	1		
716	24	PK	D01433	34		31-51-42	SM00019		W	N2	1		
717	24	PK	D01433	37		31-51-42	SM00034		W	N2	1		
718	24	PK	D01433	39		31-51-42	D04509J	2		N2	2		
720	24	PK	D01433	52		31-51-42	SM00040		W	N2	1		
721	24	PK	D01433	38		31-51-42	D04347J	24		N2	2		
722	24	PK	D01433	5		31-51-42	D04349J	22		N2	2		
723	24	PK	D04511J	11		31-51-42	SM00038		W	N2	1		
724	24	PK	D01433	40		31-51-42	SM00038		W	N2	1		
725	24	PK	D01433	3		31-51-42	D04347J	13		N2	2		
726	22	PA	D04347J	14		31-51-21	SM00036		W	N2	1		
727	22	PA	D04301J	11		31-51-21	SM00035		W	N2	1		
728	24	PK	D04347J	1		31-51-41	D00819	35		N2	2		
729	24	PK	D04347J	2		31-51-41	D00819	1		N2	2		
730	24	PK	D04347J	3		31-51-41	D00819	36		N2	2		
731	24	PK	D04347J	4		31-51-41	D00819	2		N2	2		
732	24	PK	D04347J	5		31-51-42	D01433	20		N2	2		
733	24	PK	D04347J	16		34-16-11	D00821	65		N2	2		
734	24	PK	D04347J	8		31-51-31	SM00046		W	N2	1		
735	24	PK	D04507J	7		34-16-11	D00821	34		N2	2		
736	24	PK	D04507J	2		34-16-11	D00821	66		N2	2		
737	24	PK	SM00041		W	34-16-11	D00821	31		N2	1		

286T0045-0BN
Wire Bundle Assembly
Figure 148 (Sheet 17)

25-71-02

TESTING & TROUBLE SHOOTING

01

Page 204A

Nov 01/02

WIRE			FROM EQUIPMENT				TO EQUIPMENT				WIRE INFO			
NUMBER	GA	TYP	NUMBER	TERM	TT	WDM REF	NUMBER	TERM	TT	EMC/SEP	FT	NOTE	EFFECTIVITY	
738	24	PK	D04347J	19		34-16-11	D00821	7		N2	2			
739	24	PK	SM00075		W	34-16-11	D00821	6		N2	1			
741	24	PK	D00821	18		34-16-11	D00821	22		N2				
742	24	PK	D00821	50		34-16-11	D00821	48		N2				
746	24	PK	D04597J	10		31-51-31	SM00043		W	N2	1			
747	24	PK	D01487	46		31-51-31	SM00043		W	N2	1			
748	24	PK	D04347J	7		31-51-31	SM00045		W	N2	1			
749	24	PK	D01487	10		31-51-31	SM00045		W	N2	1			
750	24	PK	D01487	19		31-51-31	SM00046		W	N2	1			
751	24	PK	D01487	13		31-51-31	SM00040		W	N2	1			
752	24	PK	D01487	47		31-51-31	SM00044		W	N2	1			
753	24	PK	D01487	51		31-51-31	SM00041		W	N2	1			
757	24	PK	D01739	11		31-51-35	SM00039		W	N2	1			
758	24	PK	D01487	22		31-51-31	D01489	23		N2	2			
759	24	PK	D01487	55		31-51-31	D01489	47		N2	2			
760	24	PK	D01487	34		31-51-31	D01489	51		N2	2			
761	24	PK	D01487	66		31-51-31	D01489	57		N2	2			
762	24	PK	D00817	10		31-51-32	SM00045		W	N2	1			
763	24	PK	D00817	46		31-51-32	SM00043		W	N2	1			
766	24	PV	D01741	11		31-51-36	SM00053		W	N2	1			
766Z			D01741	DED		31-51-36	SM00053	DED		N2				
767	24	PK	D00817	19		31-51-32	SM00046		W	N2	1			
768	24	PK	D00817	13		31-51-32	SM00040		W	N2	1			
769	24	PK	D00817	47		31-51-32	SM00044		W	N2	1			
770	24	PK	D00817	51		31-51-32	SM00041		W	N2	1			
772	24	PK	D00817	22		31-51-32	D01489	54		N2	2			
773	24	PK	D00817	55		31-51-32	D01489	13		N2	2			
774	24	PK	D00817	34		31-51-32	D01489	25		N2	2			
775	24	PK	D00817	66		31-51-32	D01489	58		N2	2			
776	24	PK	D01489	42		31-51-33	D04347J	15		N2	2			
777	24	PK	D01489	8		31-51-33	D04349J	13		N2	2			

286T0045-0BN
Wire Bundle Assembly
Figure 148 (Sheet 18)

25-71-02



BOEING
COMPONENT
MAINTENANCE MANUAL

WIRE			FROM EQUIPMENT			TO EQUIPMENT			WIRE INFO				
NUMBER	GA	TYP	NUMBER	TERM	TT	WDM REF	NUMBER	TERM	TT	EMC/SEP	FT	NOTE	EFFECTIVITY
779	24	PK	D01489	35		31-51-33	D04349J	40		N2	2		
780	24	PK	D01489	53		31-51-33	D04349J	2		N2	2		
781	24	PK	D01489	31		31-51-33	D01489	48		N2			
782	24	PK	D01489	18		31-51-33	D01489	22		N2			
783	24	PK	D01489	38		31-51-33	SM00008		W	N2	1		
784	24	PK	D01489	4		31-51-33	SM00011		W	N2	1		
785	24	PK	D01489	37		31-51-33	SM00012		W	N2	1		
786	24	PK	D01489	3		31-51-33	SM00010		W	N2	1		
787	24	PK	D01489	1		31-51-33	SM00009		W	N2	1		
788	24	PK	D01489	6		31-51-33	SM00034		W	N2	1		
789	24	PK	D01489	41		31-51-33	D04509J	11		N2	2		
791	24	PK	D01489	7		31-51-33	D04509J	10		N2	2		
792	24	PK	D01489	40		31-51-33	D04509J	9		N2	2		
793	24	PK	D00819	11		31-51-41	SM00075		W	N2	1		
794	20	PA	D04303J	10		31-51-32	GDX0004	S..	2	N2	2		
795	24	PK	D01433	9		31-51-42	D01433	48		N2			
796	24	PK	D01433	22		31-51-42	D01433	50		N2			
797	24	PV	D00815	41		31-51-21	SM00053		W	N2	1		
797Z			D00815	DED		31-51-21	SM00053	DED		N2			
798	24	PV	D04349J	9		31-51-21	SM00053		W	N2	1		
798Z			D04349J	DED		31-51-21	SM00053	DED		N2			
817	24	PK	D00823	55		27-32-12	D11553	6		N2	2		
818	24	PK	D00823	21		27-32-12	D11553	4		N2	2		
819	24	PK	D00823	51		27-32-12	D11553	3		N2	2		
820	24	PK	D00823	50		27-32-12	D11553	2		N2	2		
821	24	PK	D00823	49		27-32-12	D11553	7		N2	2		
822	24	PK	D00823	47		27-32-12	D11553	8		N2	2		
823	24	PK	D00823	46		27-32-12	D11553	9		N2	2		
824	24	PK	D00823	53		27-32-12	D11553	5		N2	2		
825	24	PK	D00823	62		27-32-12	D11553	24		N2	2		
826	24	PK	D01381	55		27-32-22	D11553	16		N2	2		

286T0045-0BN
Wire Bundle Assembly
Figure 148 (Sheet 19)

25-71-02

TESTING & TROUBLE SHOOTING

01

Page 204C

Nov 01/02

WIRE			FROM EQUIPMENT			TO EQUIPMENT			WIRE INFO				
NUMBER	GA	TYP	NUMBER	TERM	TT	WDM REF	NUMBER	TERM	TT	EMC/SEP	FT	NOTE	EFFECTIVITY
827	24	PK	D01381	21		27-32-22	D11553	14		N2	2		
828	24	PK	D01381	51		27-32-22	D11553	13		N2	2		
829	24	PK	D01381	50		27-32-22	D11553	12		N2	2		
830	24	PK	D01381	49		27-32-22	D11553	17		N2	2		
831	24	PK	D01381	47		27-32-22	D11553	18		N2	2		
832	24	PK	D01381	46		27-32-22	D11553	19		N2	2		
833	24	PK	D01381	53		27-32-22	D11553	15		N2	2		
834	24	PK	D01381	62		27-32-22	D11553	34		N2	2		
835	24	PK	D04349J	50		27-32-21	D01381	64		N2	2		
836	20	PA	D04349J	53		27-32-21	GDX0002	S..	2	N2	2		
837	24	PK	D00823	42		27-32-12	SM00082		W	N2	1		
838	24	PK	D01381	42		27-32-22	SM00085		W	N2	1		
842	24	PK	D01381	6		27-32-22	SM00085		W	N2	1		
843	24	PK	D00823	6		27-32-12	SM00082		W	N2	1		
862	22	PA	D02261	30		31-41-35	GDX0006	S..	2	N2	1		
863	22	PA	D02261	32		31-41-35	GDX0006	S..	2	N2	1		
864	22	PA	D02261	33		31-41-35	GDX0006	S..	2	N2	1		
865	22	PA	D02261	64		31-41-35	GDX0006	S..	2	N2	1		
866	24	PV	D02261	27		31-51-11	SM00018		W	N2	1		
866Z			D02261	DED		31-51-11	SM00018	REF		N2			
867	24	PV	D02261	28		31-51-11	SM00047		W	N2	1		
867Z			D02261	DED		31-51-11	SM00047	REF		N2			
868	24	PV	D02261	29		31-51-12	SM00054		W	N2	1		
868Z			D02261	DED		31-51-12	SM00054	REF		N2			
869	24	PK	D02261	34		31-51-12	SM00025		W	N2	1		
870	22	PA	D02261	56		31-51-12	GDX0001	S..	2	N2	2		
871	22	PA	D02261	57		31-51-12	GDX0003	S..	2	N2	2		
872	22	PA	D02261	59		31-51-11	GDX0005	S..	2	N2	1		
873	24	PV	D02261	60		31-51-12	SM00055		W	N2	1		
873Z			D02261	DED		31-51-12	SM00055	REF		N2			
874	24	PV	D02261	62		31-51-11	SM00049		W	N2	1		

286T0045-0BN
Wire Bundle Assembly
Figure 148 (Sheet 20)

25-71-02



BOEING
COMPONENT
MAINTENANCE MANUAL

WIRE			FROM EQUIPMENT			TO EQUIPMENT			WIRE INFO				
NUMBER	GA	TYP	NUMBER	TERM	TT	WDM REF	NUMBER	TERM	TT	EMC/SEP	FT	NOTE	EFFECTIVITY
874Z			D02261	DED		31-51-11	SM00049	REF		N2	1		
875	24	PV	D02261	63		31-51-12	SM00056	REF	W	N2			
875Z			D02261	DED		31-51-12	SM00056	REF		N2			
876	24	PK	D02261	65		31-51-11	SM00022		W	N2	1		
877	24	PV	D00811	14		31-51-11	SM00018		W	N2	2		
877Z			D00811	DED		31-51-11	SM00018	REF		N2			
878	24	PV	D00811	48		31-51-11	SM00047	REF	W	N2	2		
878Z			D00811	DED		31-51-11	SM00047	REF		N2			
879	24	PV	D00811	23		31-51-11	SM00049		W	N2	2		
879Z			D00811	DED		31-51-11	SM00049	REF		N2			
880	24	PV	D00813	14		31-51-12	SM00054		W	N2	2		
880Z			D00813	DED		31-51-12	SM00054	REF		N2			
881	24	PV	D00813	48		31-51-12	SM00055		W	N2	2		
881Z			D00813	DED		31-51-12	SM00055	REF		N2			
882	24	PV	D00813	23		31-51-12	SM00056		W	N2	2		
882Z			D00813	DED		31-51-12	SM00056	REF		N2			
883	22	PA	D02261	15		38-32-11	D04349J	26		N2	2		
884	22	PA	D02261	47		38-32-11	D04347J	27		N2	2		
885	24	PK	D04303J	9		31-51-21	SM00057		W	N2	1		
886	24	PK	D04507J	3		31-51-21	SM00058		W	N2	1		
887	24	PK	D04507J	1		31-51-21	SM00058		W	N2	1		
888	24	PK	SM00057		W	31-51-21	D04349J	44		N2	1	PAJ-F2	

286T0045-0BN
Wire Bundle Assembly
Figure 148 (Sheet 21)

25-71-02

TESTING & TROUBLE SHOOTING
01

Page 204E
Nov 01/02

WIRE			FROM EQUIPMENT			TO EQUIPMENT			WIRE INFO				
NUMBER	GA	TYP	NUMBER	TERM	TT	WDM REF	NUMBER	TERM	TT	EMC/SEP	FT	NOTE	EFFECTIVITY
FRA			M01103			31-51-12	M01103	GND	D	N2			
FRB			D00813			31-51-12	D00813	59		N2			
FRC			M01102			31-51-11	M01102	GND	D	N2			
FRD			D00811			31-51-11	D00811	59		N2			
FRG			D04349J	58		31-41-35	D04349J			N2			
FRH			D04349J	61		28-41-11	D04349J			N2			
PA1			D00815	47		99-99-99	D00815	63		N2		DAW-B2	
PA2			D00817	8		99-99-99	D00817	57		N2		DAW-B2	
PA3			D00819	41		99-99-99	D00819	55		N2		DAW-B2	
PA4			D00821	43		99-99-99	D00821	60		N2		DAW-B2	
PA5			D00823	52		99-99-99	D00823	65		N2		DAW-B2	
PA6			D01433	44		99-99-99	D01433	61		N2		DAW-B2	
PA7			D01381	52		99-99-99	D01381	65		N2		DAW-B2	
PA8			D01487	8		99-99-99	D01487	57		N2		DAW-B2	
PA9			D01489	56		99-99-99	D01489	65		N2		DAW-B2	
PB4			D02261	54		99-99-99	D02261	61		N2		DAW-B2	
P01		SE	D11553							N2			
1	22	PA	D00811	60		31-51-11	GDX0001	S..	2	N2	3	UAE-F2	
2	22	PA	D00821	14		31-51-11	GDX0002	D..	2	N2	2		
3	24	PV	D00811	26		31-51-11	D00821	27		N2	3	PAJ-T2	
003Z			D00811	DED		31-51-11	D00821			N2			
4	24	PV	D00811	49		31-51-11	D00821	32		N2	3		
004Z			D00811	DED		31-51-11	D00821			N2			
5	24	PV	D00811	35		31-51-11	D00821	17		N2	3		
005Z			D00811	DED		31-51-11	D00821			N2			
6	24	PK	SM00022		W	31-51-11	D00821	51		N2	1		
7	24	PK	D00811	65		31-51-11	SM00022		W	N2	2		
8	24	PK	D00819	37		31-51-11	SM00022		W	N2	1		
9	24	PV	D00819	27		31-51-11	D00811	13		N2	3		
009Z			D00811	DED		31-51-11	D00819			N2			
10	22	PA	D00819	14		31-51-11	GDX0001	D..	2	N2	2		

286T0045-0BT
Wire Bundle Assembly
Figure 149 (Sheet 1)

25-71-02



BOEING
COMPONENT
MAINTENANCE MANUAL

WIRE			FROM EQUIPMENT			TO EQUIPMENT			WIRE INFO				
NUMBER	GA	TYP	NUMBER	TERM	TT	WDM REF	NUMBER	TERM	TT	EMC/SEP	FT	NOTE	EFFECTIVITY
11	24	PK	D01433	51		31-51-11	SM00022		W	N2	1		
12	24	PV	SM00018		W	31-51-11	D01433	27		N2	1		
012Z			SM00018	REF		31-51-11	D01433			N2			
13	24	PV	SM00047		W	31-51-11	D01433	32		N2	1		
013Z			SM00047	REF		31-51-11	D01433			N2			
14	24	PV	SM00049		W	31-51-11	D01433	17		N2	1		
014Z			SM00049	REF		31-51-11	D01433			N2			
15	22	PA	D01433	14		31-51-11	GDX0001	D..	2	N2	2		
16	20	PA	SM00028		W	31-51-11	GDX0005	D..	2	N2	2		
17	20	UA	GDX0002	S..	2	31-51-11	D00821			N2	2		
18	20	UA	GDX0005	S..	2	31-51-11	D00819			N2	2		
19	20	UA	D01433		2	31-51-11	GDX0002	S..	2	N2	2		
20	20	PA	GDX0005	D..	2	31-51-11	SM00029		W	N2	2		
21	20	UA	GDX0002	S..	2	31-51-11	D01503			N2	2		
23	20	UA	D00815			31-51-11	GDX0002	S..	2	N2	2		
24	24	PK	D04349J	38		31-51-11	SM00005		W	N2	1		
25	24	PK	D01503	A2		31-51-11	SM00005		W	N2	1		
26	20	PA	D01503	A3		31-51-11	GDX0003	D..	2	N2	2		
27	22	PQ	D01503	X2		31-51-11	D00811	75		N2	4		
027Z			D00811	DED		31-51-11	D01503			N2			
28	24	PV	D01503	X1		31-51-11	SM00015		W	N2	1		
028Z			SM00015	REF		31-51-11	D01503			N2	2		
29	24	PV	D00811	46		31-51-11	SM00015		W	N2	2		
029Z			SM00015	REF		31-51-11	D00811	DED		N2			
30	24	PK	SM00015		W	31-51-11	D11553	35		N2	1		
32	20	PA	D11553	11		31-51-11	GDX0003	D..	2	N2	2		
33	24	PK	D11553	37		31-51-11	D00811	34		N2	4		
34	24	PK	D11553	36		31-51-11	D00811	33		N2	4		
35	22	PA	D00815	14		31-51-11	GDX0001	D..	2	N2	2		
36	24	PV	D00815	27		31-51-11	D00811	12		N2	3		
036Z			D00811	DED		31-51-11	D00815			N2			

286T0045-0BT
Wire Bundle Assembly
Figure 149 (Sheet 2)

25-71-02

WIRE			FROM EQUIPMENT			TO EQUIPMENT			WIRE INFO				
NUMBER	GA	TYP	NUMBER	TERM	TT	WDM REF	NUMBER	TERM	TT	EMC/SEP	FT	NOTE	EFFECTIVITY
37	24	PV	D00815	32		31-51-11	D00811	17		N2	3		
037Z			D00811	DED		31-51-11	D00815			N2			
38	24	PV	D00815	17		31-51-11	D00811	22		N2	3		
038Z			D00811	DED		31-51-11	D00815			N2			
39	24	PK	D00815	54		31-51-11	SM00020		W	N2	1		
40	24	PK	D00811	63		31-51-11	SM00020		W	N2	2		
41	24	PK	D00823	35		31-51-11	SM00020		W	N2	1		
42	24	PK	D01381	35		31-51-11	SM00020		W	N2	1		
45	22	PA	D01381	14		31-51-11	GDX0001	D..	2	N2	2		
46	22	PA	D01381	48		31-51-11	GDX0003	D..	2	N2	2		
47	24	PV	D01381	27		31-51-11	D00811	11		N2	3		
047Z			D00811	DED		31-51-11	D01381			N2			
48	24	PV	D01381	32		31-51-11	D00811	16		N2	3		
048Z			D00811	DED		31-51-11	D01381			N2			
49	24	PV	D01381	17		31-51-11	D00811	21		N2	3		
049Z			D00811	DED		31-51-11	D01381			N2			
52	22	PA	D00823	14		31-51-11	GDX0001	D..	2	N2	2		
53	22	PA	D00823	48		31-51-11	GDX0003	D..	2	N2	2		
54	24	PV	D00823	27		31-51-11	D00811	10		N2	3		
054Z			D00811	DED		31-51-11	D00823			N2			
55	24	PV	D00823	32		31-51-11	D00811	15		N2	3		
055Z			D00811	DED		31-51-11	D00823			N2			
56	24	PV	D00823	17		31-51-11	D00811	20		N2	3		
056Z			D00811	DED		31-51-11	D00823			N2			
57	22	PA	D00817	14		31-51-11	GDX0002	D..	2	N2	2		
58	24	PV	D00817	27		31-51-11	D00811	51		N2	3		
058Z			D00811	DED		31-51-11	D00817			N2			
59	24	PV	D00817	32		31-51-11	D00811	74		N2	3		
059Z			D00811	DED		31-51-11	D00817			N2			
60	24	PK	D00817	45		31-51-11	SM00021		W	N2	1		
61	24	PK	D00811	64		31-51-11	SM00021		W	N2	2		

286T0045-0BT
Wire Bundle Assembly
Figure 149 (Sheet 3)

25-71-02



BOEING
COMPONENT
MAINTENANCE MANUAL

WIRE			FROM EQUIPMENT			TO EQUIPMENT			WIRE INFO				
NUMBER	GA	TYP	NUMBER	TERM	TT	WDM REF	NUMBER	TERM	TT	EMC/SEP	FT	NOTE	EFFECTIVITY
62	24	PK	D01489	16		31-51-11	SM00021		W	N2	1		
63	24	PK	D01487	45		31-51-11	SM00021		W	N2	1		
64	24	PV	D01487	27		31-51-11	D00811	47		N2	3		
064Z			D00811	DED		31-51-11	D01487			N2			
65	24	PV	D01487	32		31-51-11	D00811	70		N2	3		
065Z			D00811	DED		31-51-11	D01487			N2			
66	22	PA	D01487	14		31-51-11	GDX0003	D..	2	N2	2		
67	24	PV	D01489	27		31-51-11	D00811	45		N2	3		
067Z			D00811	DED		31-51-11	D01489			N2			
68	24	PV	D01489	32		31-51-11	D00811	50		N2	3		
068Z			D00811	DED		31-51-11	D01489			N2			
69	24	PV	D01489	17		31-51-11	D00811	36		N2	3		
069Z			D00811	DED		31-51-11	D01489			N2			
70	22	PA	D01489	14		31-51-11	GDX0003	D..	2	N2	2		
71	20	UA	D01381			31-51-11	GDX0002	S..	2	N2	2		
72	20	UA	D00823			31-51-11	GDX0002	S..	2	N2	2		
73	20	UA	D00817			31-51-11	GDX0002	S..	2	N2	2		
74	20	PA	SM00026		W	31-51-11	GDX0005	D..	2	N2	2		
75	20	UA	D01487			31-51-11	GDX0005	S..	2	N2	2		
76	20	UA	GDX0005	S..	2	31-51-11	D01489			N2	2		
77	24	PK	D02261	40		31-41-35	D04349J	1		N2	2		
78	20	PA	SM00027		W	31-51-11	GDX0005	D..	2	N2	2		
79	22	PA	D00813	60		31-51-12	GDX0003	S..	2	N2	3	UAE-F2	
80	22	PA	D00821	15		31-51-12	GDX0002	D..	2	N2	2		
81	24	PV	D00821	30		31-51-12	D00813	26		N2	3		
081Z			D00813	DED		31-51-12	D00821			N2			
82	24	PV	D00821	33		31-51-12	D00813	49		N2	3		
082Z			D00813	DED		31-51-12	D00821			N2			
83	24	PV	D00821	24		31-51-12	D00813	35		N2	3		
083Z			D00813	DED		31-51-12	D00821			N2			
84	24	PK	D00821	19		31-51-12	SM00025		W	N2	1		

286T0045-0BT
Wire Bundle Assembly
Figure 149 (Sheet 4)

25-71-02

TESTING & TROUBLE SHOOTING

01

Page 204I

Nov 01/02

WIRE		FROM EQUIPMENT			TO EQUIPMENT			WIRE INFO					
NUMBER	GA	TYP	NUMBER	TERM	TT	WDM REF	NUMBER	TERM	TT	EMC/SEP	FT	NOTE	EFFECTIVITY
85	24	PK	D00813	65		31-51-12	SM00025		W	N2	2		
86	24	PK	D00819	3		31-51-12	SM00025		W	N2	1		
87	24	PK	D01433	18		31-51-12	SM00025		W	N2	1		
88	22	PA	D01433	15		31-51-12	GDX0002	D..	2	N2	2		
89	24	PV	D01433	30		31-51-12	SM00054		W	N2	1		
089Z			SM00054	REF		31-51-12	D01433		W	N2	1		
90	24	PV	D01433	33		31-51-12	SM00055		W	N2	1		
090Z			SM00055	REF		31-51-12	D01433		W	N2	1		
91	24	PV	D01433	24		31-51-12	SM00056		W	N2	1		
091Z			SM00056	REF		31-51-12	D01433		W	N2	1		
92	22	PA	D00819	15		31-51-12	GDX0002	D..	2	N2	2		
93	24	PV	D00819	30		31-51-12	D00813	13		N2	3		
093Z			D00813	DED		31-51-12	D00819			N2			
94	20	PA	SM00032		W	31-51-12	GDX0005	D..	2	N2			
95	24	PV	D01505	X2		31-51-12	D00813	75		N2	3		
095Z			D00813	DED		31-51-12	D01505			N2			
96	24	PV	D01505	X1		31-51-12	SM00016		W	N2	1		
096Z			SM00016	REF		31-51-12	D01505			N2			
97	24	PV	D00813	46		31-51-12	SM00016		W	N2	2		
097Z			SM00016	REF		31-51-12	D00813	DED		N2			
98	20	PA	SM00033		W	31-51-12	GDX0005	D..	2	N2			
99	24	PK	SM00016		W	31-51-12	D11553	25		N2	1		
10A	24	PK	D01489	21		31-51-33	D04349J	23		N2	2		
100	20	PA	D11553	1		31-51-12	GDX0003	D..	2	N2	2		
101	20	UA	D00821			31-51-12	GDX0004	S..	2	N2	2		
102	20	UA	D00819			31-51-12	GDX0004	S..	2	N2	2		
103	20	UA	D01433			31-51-12	GDX0004	S..	2	N2	2		
104	20	UA	D01505			31-51-12	GDX0005	S..	2	N2	2		
106	20	UA	D00815			31-51-12	GDX0004	S..	2	N2	2		
107	20	UA	D01381			31-51-12	GDX0004	S..	2	N2	2		
109	20	UA	D00817			31-51-12	GDX0004	S..	2	N2	2		

286T0045-0BT
Wire Bundle Assembly
Figure 149 (Sheet 5)

25-71-02



BOEING
COMPONENT
MAINTENANCE MANUAL

WIRE			FROM EQUIPMENT			TO EQUIPMENT			WIRE INFO				
NUMBER	GA	TYP	NUMBER	TERM	TT	WDM REF	NUMBER	TERM	TT	EMC/SEP	FT	NOTE	EFFECTIVITY
110	20	UA	D01487			31-51-12	GDX0001	S..	2	N2	2		
111	20	UA	D01489			31-51-12	GDX0001	S..	2	N2	2		
112	22	PA	D00815	15		31-51-12	GDX0001	D..	2	N2	2		
113	24	PK	D01505	A2		31-51-12	SM00005		W	N2	1		
114	20	PA	D01505	A3		31-51-12	GDX0003	D..	2	N2	2		
115	24	PK	D02261	21		21-61-51	D04347J	25		N2	2		
116	24	PK	D00815	21		31-51-12	SM00023		W	N2	1		
117	24	PK	D00813	63		31-51-12	SM00023		W	N2	2		
118	24	PK	D00823	1		31-51-12	SM00023		W	N2	1		
119	24	PK	D01381	1		31-51-12	SM00023		W	N2	1		
120	22	PA	D01381	15		31-51-12	GDX0001	D..	2	N2	2		
121	24	PK	D00817	56		31-51-12	SM00024		W	N2	1		
122	24	PK	D00813	64		31-51-12	SM00024		W	N2	2		
123	24	PK	D01487	56		31-51-12	SM00024		W	N2	1		
124	22	PA	D00823	15		31-51-12	GDX0001	D..	2	N2	2		
125	20	UA	D00823			31-51-12	GDX0004	S..	2	N2	2		
126	24	PV	D00823	33		31-51-12	D00813			N2	3		
126Z			D00823			31-51-12	D00813	DED		N2			
127	24	PV	D00823	24		31-51-12	D00813	20		N2	3		
127Z			D00823			31-51-12	D00813	DED		N2			
128	22	PA	D00817	15		31-51-12	GDX0002	D..	2	N2	2		
129	24	PV	D00817	30		31-51-12	D00813	51		N2	3		
129Z			D00817			31-51-12	D00813	DED		N2			
130	24	PV	D00817	33		31-51-12	D00813	74		N2	3		
130Z			D00817			31-51-12	D00813	DED		N2			
131	24	PV	D00813	11		31-51-12	D01381	30		N2	3		
131Z			D01381			31-51-12	D00813	DED		N2			
132	24	PV	D00813	16		31-51-12	D01381	33		N2	3		
132Z			D01381			31-51-12	D00813	DED		N2			
133	24	PV	D01381	24		31-51-12	D00813	21		N2	3		
133Z			D01381			31-51-12	D00813	DED		N2			

286T0045-0BT
Wire Bundle Assembly
Figure 149 (Sheet 6)

25-71-02

WIRE			FROM EQUIPMENT			TO EQUIPMENT			WIRE INFO				
NUMBER	GA	TYP	NUMBER	TERM	TT	WDM REF	NUMBER	TERM	TT	EMC/SEP	FT	NOTE	EFFECTIVITY
134	24	PK	D01489	50		31-51-12	SM00024			N2	1		
135	24	PV	D01487	30		31-51-12	D00813	47		N2	3		
135Z			D01487			31-51-12	D00813	DED		N2			
136	24	PV	D01487	33		31-51-12	D00813	70		N2	3		
136Z			D01487			31-51-12	D00813	DED		N2			
137	22	PA	D01487	15		31-51-12	GDX0003		2	N2	2		
138	24	PV	D01489	30		31-51-12	D00813	45		N2	3		
138Z			D01489			31-51-12	D00813	DED		N2			
139	24	PV	D01489	33		31-51-12	D00813	50		N2	3		
139Z			D01489			31-51-12	D00813	DED		N2			
140	24	PV	D01489	24		31-51-12	D00813	36		N2	3		
140Z			D01489			31-51-12	D00813	DED		N2			
141	22	PA	D01489	15		31-51-12	GDX0003		2	N2	2		
142	24	PK	D00813	33		31-51-12	D11553	26		N2	3		
143	24	PK	D11553	27		31-51-12	D00813	34		N2	3		
144	24	PV	D00813	12		31-51-12	D00815	30		N2	3		
144Z			D00813	DED		31-51-12	D00815			N2			
145	20	PA	SM00030		W	31-51-12	GDX0005		2	N2	3		
146	24	PV	D00813	17		31-51-12	D00815	33		N2			
146Z			D00813	DED		31-51-12	D00815			N2			
147	24	PV	D00813	22		31-51-12	D00815	24		N2	3		
147Z			D00813	DED		31-51-12	D00815			N2			
148	24	PV	D00813	10		31-51-12	D00823	30		N2	3		
148Z			D00813	DED		31-51-12	D00823			N2			
149	20	PA	SM00031		W	31-51-12	GDX0005		2	N2			
150	22	PA	D04301J	6		27-32-11	D00823	34		N2	2		
151	24	PK	D04509J	1		27-32-11	D00823	39		N2	2		
152	24	PK	D04347J	26		27-32-11	D00823	40		N2	2		
153	24	PK	D00823	31		27-32-11	D04509J	6		N2	2		
154	20	PA	D04509J	7		27-32-11	GDX0001		2	N2	2		
155	24	PK	SM00037		W	27-32-11	D04511J	3		N2	1		

286T0045-0BT
Wire Bundle Assembly
Figure 149 (Sheet 7)

25-71-02



BOEING
COMPONENT
MAINTENANCE MANUAL

WIRE		FROM EQUIPMENT		TO EQUIPMENT		WIRE INFO							
NUMBER	GA	TYP	NUMBER	TERM	TT	WDM REF	NUMBER	TERM	TT	EMC/SEP	FT	NOTE	EFFECTIVITY
156	24	PK	D00823	38		27-32-11	D04511J	2		N2	2		
157	24	PK	D04511J	4		27-32-11	SM00050		W	N2	1		
158	24	PK	SM00037		W	27-32-11	D00823	4		N2	1		
159	24	PK	D04349J	14		27-32-11	D00823	36		N2	1		
160	24	PK	D04349J	15		27-32-11	D00823	3		N2	1		
161	24	PK	D04349J	16		27-32-11	D00823	43		N2	1		
162	24	PK	D04349J	10		27-32-11	D00823	2		N2	1		
165	22	PA	D04349J	11		27-32-21	D01381	34		N2	2		
166	24	PK	D01381	40		27-32-21	D04349J	6		N2	2		
167	24	PK	D01381	31		27-32-21	D04511J	7		N2	2		
168	20	PA	GDX0002	D..	2	27-32-21	D04511J	8		N2	2		
169	24	PK	D04349J	34		27-32-21	D01381	36		N2	2		
170	24	PK	D04349J	35		27-32-21	D01381	3		N2	2		
171	24	PK	D04349J	36		27-32-21	D01381	43		N2	2		
172	24	PK	D04349J	37		27-32-21	D01381	2		N2	2		
173	24	PK	D04511J	13		27-32-21	D01381	4		N2	2		
174	24	PK	D04511J	16		27-32-21	D01381	37		N2	2		
175	24	PK	D04511J	15		27-32-21	D01381	38		N2	2		
176	24	PK	D04509J	8		27-32-21	D01381	39		N2	2		
177	24	PK	D00815	34		31-51-21	SM00057		W	N2	1		
178	24	PK	D00815	43		31-51-21	D01433	19		N2	2		
179	24	PK	D00815	10		31-51-21	D00819	5		N2	2		
180	24	PK	D04507J	5		31-51-21	SM00034		W	N2	1		
181	24	PK	SM00058		W	31-51-21	D00815	66		N2	1		
182	24	PK	D00815	4		31-51-21	SM00034		W	N2	1		
183	24	PK	D00815	11		31-51-21	D04349J	39		N2	2		
184	22	PA	D00815	37		31-51-21	SM00035		W	N2	1		
185	22	PA	D00815	42		31-51-21	SM00036		W	N2	1		
186	24	PK	D04349J	5		31-51-21	SM00012		W	N2	1		
187	24	PK	D00815	2		31-51-21	SM00012		W	N2	1		
188	24	PK	SM00011		W	31-51-21	D04349J	4		N2	1		

286T0045-0BT
Wire Bundle Assembly
Figure 149 (Sheet 8)

25-71-02

WIRE		FROM EQUIPMENT			TO EQUIPMENT			WIRE INFO					
NUMBER	GA	TYP	NUMBER	TERM	TT	WDM REF	NUMBER	TERM	TT	EMC/SEP	FT	NOTE	EFFECTIVITY
189	24	PK	SM00011		W	31-51-21	D00815	35		N2	1		
190	24	PK	D04349J	12		31-51-21	SM00009		W	N2	1		
191	24	PK	D00815	44		31-51-21	SM00009		W	N2	1		
192	24	PK	D04347J	10		31-51-21	SM00008		W	N2	1		
193	24	PK	D00815	1		31-51-21	SM00008		W	N2	1		
194	24	PK	D04347J	11		31-51-21	SM00010		W	N2	1		
195	24	PK	D00815	36		31-51-21	SM00010		W	N2	1		
196	24	PK	SM00039		W	31-51-21	D04347J	21		N2	1		
197	24	PK	D00815	45		31-51-21	SM00039		W	N2	1		
198	24	PK	D00815	46		31-51-21	D04347J	6		N2	2		
199	20	PA	GDX0004	S..	2	31-51-31	D04597J	14		N2	2		
201B	24	PW	D01489	43		31-51-33	SM00004		W	N2	1		
201R	24	PW	D01489	9		31-51-33	SM00003		W	N2			
201Z			D01489	DED		31-51-33	SM00003	REF		N2			
204	20	UA	D04507J			27-32-11	GDX0004	S..	2	N2	2		
204B	24	FW	D00823	18		27-32-11	D04507J	12		N2	1		
204R	24	FW	D00823	16		27-32-11	D04507J	11		N2			
204Z			D04507J			27-32-11	D00823	DED		N2			
205B	24	PW	D00815	19		31-51-21	SM00007		W	N2	1		
205R	24	PW	D00815	52		31-51-21	SM00006		W	N2			
205Z			D00815	DED		31-51-21	SM00006			N2			
207	20	UA	D04597J			31-51-21	GDX0004	S..	2	N2	2		
207B	24	PW	SM00007		W	31-51-21	D04597J	4		N2	1		
207R	24	PW	SM00006		W	31-51-21	D04597J	3		N2			
207Z			SM00006			31-51-21	D04597J			N2			
208	20	UA	D04301J			34-16-11	GDX0002	S..	2	N2	2		
208B	24	PW	D00821	36		34-16-11	D04301J	9		N2	2		
208R	24	PW	D00821	2		34-16-11	D04301J	8		N2			
208Z			D00821	DED		34-16-11	D04301J			N2			
209B	24	PW	D01489	46		31-51-33	SM00007		W	N2	1		
209R	24	PW	D01489	12		31-51-33	SM00006		W	N2			

286T0045-0BT
Wire Bundle Assembly
Figure 149 (Sheet 9)

25-71-02



BOEING
COMPONENT
MAINTENANCE MANUAL

WIRE			FROM EQUIPMENT			TO EQUIPMENT			WIRE INFO				
NUMBER	GA	TYP	NUMBER	TERM	TT	WDM REF	NUMBER	TERM	TT	EMC/SEP	FT	NOTE	EFFECTIVITY
209Z			D01489	DED		31-51-33	SM00006			N2			
212B	24	PW	D01433	36		31-51-42	SM00007		W	N2	1		
212R	24	PW	D01433	2		31-51-42	SM00006		W	N2			
212Z			D01433	DED		31-51-42	SM00006			N2			
213	20	UA	D04507J			34-16-11	GDX0004	S..	2	N2	2		
213B	24	PW	D00821	35		34-16-11	D04507J	8		N2	2		
213R	24	PW	D00821	1		34-16-11	D04507J	9		N2			
213Z			D00821	DED		34-16-11	D04507J			N2			
214	20	UA	D04349J			34-16-11	GDX0004	S..	2	N2	2		
214B	24	PW	D00821	37		34-16-11	D04349J	19		N2	2		
214R	24	PW	D00821	3		34-16-11	D04349J	18		N2			
214Z			D00821	DED		34-16-11	D04349J			N2			
215B	24	PL	D01487	24		31-51-31	D04597J	12		N2	2		
215R	24	PL	D01487	23		31-51-31	D04597J	13		N2			
216B	24	PL	D00817	24		31-51-32	D04303J	12		N2	2		
216R	24	PL	D00817	23		31-51-32	D04303J	11		N2			
221B	24	PW	D01489	45		31-51-33	SM00004		W	N2	1		
221R	24	PW	D01489	11		31-51-33	SM00003		W	N2			
221Z			D01489	DED		31-51-33	SM00003			N2			
223B	24	PW	D00821	38		34-16-11	SM00004	REF	W	N2	1		
223R	24	PW	D00821	4		34-16-11	SM00003		W	N2			
223Z			D00821	DED		34-16-11	SM00003	REF		N2			
224	20	UA	D04349J			27-32-21	GDX0004	S..	2	N2	2		
224B	24	PW	D04349J	28		27-32-21	D01381	18		N2	2		
224R	24	PW	D04349J	27		27-32-21	D01381	16		N2			
224Z			D04349J	DED		27-32-21	D01381	DED		N2			
225B	22	PR	D00811	69		31-51-11	SM00060		W	N2	2		
225R	22	PR	D00811	68		31-51-11	SM00060		W	N2			
225Z			D00811	DED		31-51-11	SM00028	REF		N2			
226B	22	PR	D00813	69		31-51-12	SM00061		W	N2	2		
226R	22	PR	D00813	68		31-51-12	SM00061		W	N2			

286T0045-0BT
Wire Bundle Assembly
Figure 149 (Sheet 10)

25-71-02

TESTING & TROUBLE SHOOTING

01

Page 2040

Nov 01/02

WIRE			FROM EQUIPMENT			TO EQUIPMENT			WIRE INFO				
NUMBER	GA	TYP	NUMBER	TERM	TT	WDM REF	NUMBER	TERM	TT	EMC/SEP	FT	NOTE	EFFECTIVITY
226Z			D00813	DED		31-51-12	SM00033	REF		N2			
230	20	UA	D04347J			31-51-33	GDX0003	S..	2	N2	2		
230B	24	PW	D04347J	18		31-51-33	SM00004		W	N2	1		
230R	24	PW	D04347J	17		31-51-33	SM00003		W	N2		PAJ-F2	
230Z			D04347J			31-51-33	SM00003	REF		N2			
236	20	UA	D04347J			27-32-11	GDX0001	S..	2	N2	2		
236B	24	PW	D04347J	37		27-32-11	D00823	54		N2	2		
236R	24	PW	D04347J	36		27-32-11	D00823	23		N2			
236Z			D04347J			27-32-11	D00823	DED		N2			
237B	24	PW	D04347J	40		27-32-11	D00823	13		N2	2		
237R	24	PW	D04347J	39		27-32-11	D00823	12		N2			
237Z			D04347J			27-32-11	D00823	DED		N2			
238	20	UA	D04349J			27-32-21	GDX0001	S..	2	N2	2		
238B	24	PW	D04349J	49		27-32-21	D01381	54		N2	2		
238R	24	PW	D04349J	48		27-32-21	D01381	23		N2			
238Z			D04349J			27-32-21	D01381	DED		N2			
239B	24	PW	D01381	20		27-32-21	D04349J	55		N2	2		
239R	24	PW	D01381	19		27-32-21	D04349J	54		N2			
239Z			D01381	DED		27-32-21	D04349J			N2			
240B	24	PL	D04347J	23		31-51-31	SM00080		W	N2	1		
240R	24	PL	D04347J	22		31-51-31	SM00042		W	N2			
241B	24	PL	D01487	60		31-51-31	SM00080		W	N2	1		
241R	24	PL	D01487	28		31-51-31	SM00042		W	N2			
242B	24	PL	D00817	60		31-51-32	SM00080		W	N2	1		
242R	24	PL	D00817	28		31-51-32	SM00042		W	N2			
243B	24	PW	D04349J	52		27-32-21	D01381	13		N2	2		
243R	24	PW	D04349J	51		27-32-21	D01381	12		N2			
243Z			D04349J			27-32-21	D01381	DED		N2			
245B	24	PW	D00823	20		27-32-11	D04347J	48		N2	2		
245R	24	PW	D00823	19		27-32-11	D04347J	47		N2			
245Z			D00823	DED		27-32-11	D04347J			N2			

 286T0045-0BT
 Wire Bundle Assembly
 Figure 149 (Sheet 11)

25-71-02



BOEING
COMPONENT
MAINTENANCE MANUAL

WIRE			FROM EQUIPMENT			TO EQUIPMENT			WIRE INFO				
NUMBER	GA	TYP	NUMBER	TERM	TT	WDM REF	NUMBER	TERM	TT	EMC/SEP	FT	NOTE	EFFECTIVITY
247	20	UA	D04349J			31-41-35	GDX0006	S..	2	N2	2		
247B	24	PW	D02261	42		31-41-35	D04349J	57		N2	2		
247R	24	PW	D02261	43		31-41-35	D04349J	56		N2			
247Z			D02261	DED		31-41-35	D04349J			N2			
248	20	UA	D04349J			28-41-11	GDX0006	S..	2	N2	2		
248B	24	PW	D02261	5		28-41-11	D04349J	60		N2	2		
248R	24	PW	D02261	8		28-41-11	D04349J	59		N2			
248Z			D02261	DED		28-41-11	D04349J			N2			
271B	24	PL	D04597J	5		31-51-31	SM00088		W	N2	1		
271R	24	PL	D04597J	2		31-51-31	SM00087		W	N2			
272B	24	PL	D01487	63		31-51-31	SM00088		W	N2	1		
272R	24	PL	D01487	62		31-51-31	SM00087		W	N2			
273B	24	PL	D00817	63		31-51-32	SM00088		W	N2	1		
273R	24	PL	D00817	62		31-51-32	SM00087		W	N2			
290B	24	PW	D04597J	8		34-43-15	SM00104		W	N2	1		
290R	24	PW	D04597J	7		34-43-15	SM00103		W	N2			
290Z			D04597J	9		34-43-15	SM00103	REF		N2			
291B	24	PW	D04303J	4		34-43-15	SM00104		W	N2	1		
291R	24	PW	D04303J	3		34-43-15	SM00103		W	N2			
291Z			D04303J	5		34-43-15	SM00103	REF		N2			
292B	24	PW	D04347J	53		34-43-15	SM00104		W	N2	1		
292R	24	PW	D04347J	51		34-43-15	SM00103		W	N2			
292Z			D04347J	61		34-43-15	SM00103	REF		N2			
301	20	UA	SM00028	REF		31-51-11	GDX0005	S..	2	N2	1		
301B	22	PS	D00811	57		31-51-11	SM00028		W	N2	2		
301R	22	PS	D00811	38		31-51-11	SM00028		W	N2			
301Y	22	PS	D00811	58		31-51-11	SM00028		W	N2			
301Z			D00811	DED		31-51-11	SM00028	REF		N2			
302B	22	PS	D00811	42		31-51-11	SM00029		W	N2	2		
302R	22	PS	D00811	41		31-51-11	SM00029		W	N2			
302Y	22	PS	D00811	43		31-51-11	SM00029		W	N2			

286T0045-0BT
Wire Bundle Assembly
Figure 149 (Sheet 12)

25-71-02

WIRE			FROM EQUIPMENT				TO EQUIPMENT				WIRE INFO			
NUMBER	GA	TYP	NUMBER	TERM	TT	WDM REF	NUMBER	TERM	TT	EMC/SEP	FT	NOTE	EFFECTIVITY	
302Z			D00811	DED		31-51-11	SM00028	REF		N2				
303B	22	PS	D00811	8		31-51-11	SM00026		W	N2	2			
303R	22	PS	D00811	7		31-51-11	SM00026		W	N2				
303Y	22	PS	D00811	9		31-51-11	SM00026		W	N2				
303Z			D00811	DED		31-51-11	SM00028	REF		N2				
304B	22	PS	D00811	25		31-51-11	SM00027		W	N2	2			
304R	22	PS	D00811	24		31-51-11	SM00027		W	N2				
304Y	22	PS	D00811	37		31-51-11	SM00027		W	N2				
304Z			D00811	DED		31-51-11	SM00028	REF		N2				
305	20	UA	SM00033	REF		31-51-12	GDX0005	S..	2	N2	1			
305B	22	PS	D00813	8		31-51-12	SM00030		W	N2	2			
305R	22	PS	D00813	7		31-51-12	SM00030		W	N2				
305Y	22	PS	D00813	9		31-51-12	SM00030		W	N2				
305Z			D00813	DED		31-51-12	SM00033	REF		N2				
306B	22	PS	D00813	25		31-51-12	SM00031		W	N2	2			
306R	22	PS	D00813	24		31-51-12	SM00031		W	N2				
306Y	22	PS	D00813	37		31-51-12	SM00031		W	N2				
306Z			D00813	DED		31-51-12	SM00033	REF		N2				
307B	22	PS	D00813	57		31-51-12	SM00032		W	N2	2			
307R	22	PS	D00813	38		31-51-12	SM00032		W	N2				
307Y	22	PS	D00813	58		31-51-12	SM00032		W	N2				
307Z			D00813	DED		31-51-12	SM00033	REF		N2				
308B	22	PS	D00813	42		31-51-12	SM00033		W	N2	2			
308R	22	PS	D00813	41		31-51-12	SM00033		W	N2				
308Y	22	PS	D00813	43		31-51-12	SM00033		W	N2				
308Z			D00813	DED		31-51-12	SM00033	REF		N2				
512	24	PK	D02261	20		27-81-31	D04349J	8		N2	2			
601	20	PA	SM00060		W	31-51-11	GDX0004	D..	2	N2				
602	20	PA	SM00061		W	31-51-12	GDX0005	D..	2	N2				
603	24	PV	D04301J	5		31-51-12	M01103	INE	D	N2	1			
603Z			D04301J	DED		31-51-12	M01103			N2				

286T0045-0BT
Wire Bundle Assembly
Figure 149 (Sheet 13)

25-71-02



BOEING
COMPONENT
MAINTENANCE MANUAL

WIRE			FROM EQUIPMENT				TO EQUIPMENT				WIRE INFO			
NUMBER	GA	TYP	NUMBER	TERM	TT	WDM REF	NUMBER	TERM	TT	EMC/SEP	FT	NOTE	EFFECTIVITY	
604	24	PV	D04301J	4		31-51-12	D00813	4		N2	3			
604Z			D04301J	DED		31-51-12	D00813			N2				
605	24	PV	D00813	1		31-51-12	M01103	OAD	D	N2	3			
605Z			D00813			31-51-12	M01103	DED		N2				
606	24	PV	D04349J	32		31-51-11	M01102	INE	D	N2	1			
606Z			D04349J	DED		31-51-11	M01102			N2				
607	24	PV	D04349J	33		31-51-11	D00811	4		N2	3			
607Z			D04349J	DED		31-51-11	D00811			N2				
608	24	PV	D00811	1		31-51-11	M01102	OAD	D	N2	3			
608Z			D00811			31-51-11	M01102	DED		N2				
610	24	PK	D00823	37		27-32-11	SM00050	20	W	N2	1			
611	24	PK	D01433	6		31-51-42	D04347J			N2	2			
612	24	PK	D01433	4		31-51-42	SM00050		W	N2	1			
613	24	PK	D04349J	30		31-51-31	SM00065		W	N2	1			
614	24	PK	D01487	52		31-51-31	SM00065		W	N2	1			
615	24	PK	D00817	52		31-51-32	SM00065		W	N2	1			
617	24	PK	D01381	11		27-32-12	D00823	56		N2	1			
618	24	PK	D01381	56		27-32-12	D00823	11		N2	1			
619	24	PK	D00823	45		27-32-12	SM00082		W	N2	1			
620	24	PK	D04349J	29		31-51-21	SM00071		W	N2	1			
621	24	PK	D00815	7		31-51-21	SM00071		W	N2	1			
622	24	PK	D01489	2		31-51-33	SM00071		W	N2	1			
623	24	PK	D01489	36		31-51-33	SM00038		W	N2	1			
624	24	PK	D00815	8		31-51-21	SM00045		W	N2	1			
625	24	PK	D01487	9		31-51-31	SM00034		W	N2	1			
631	24	PK	D00817	9		31-51-32	SM00034		W	N2	1			
644	22	PQ	D00823	66		27-32-31	D04347J	42		N2	2			
644Z			D00823	DED		27-32-31	D04347J	DED		N2				
646	22	PQ	D01381	66		27-32-31	D04349J	42		N2	2			
646Z			D01381	DED		27-32-31	D04349J	DED		N2				
648	24	PK	D04347J	32		34-16-11	D00821	40		N2	2			

286T0045-0BT
Wire Bundle Assembly
Figure 149 (Sheet 14)

25-71-02

WIRE			FROM EQUIPMENT				TO EQUIPMENT				WIRE INFO			
NUMBER	GA	TYP	NUMBER	TERM	TT	WDM REF	NUMBER	TERM	TT	EMC/SEP	FT	NOTE	EFFECTIVITY	
649	24	PK	D04347J	33		34-16-11	SM00038		W	N2	1			
681	24	PK	D01433	10		31-51-43	D04507J			N2	2			
682	24	PK	D01433	13		31-51-43	D04347J			N2	2			
683	22	PA	D01433	41		31-51-43	SM00081		W	N2	1			
684	20	PA	GDX0001	D..	2	31-51-43	D04349J			N2	2			
685	24	PK	D00823	58		27-32-12	D01505	A1	W	N2	2			
686	24	PK	D00823	8		27-32-11	SM00038		W	N2	1			
687	24	PK	D00823	64		27-32-11	SM00081		W	N2	1			
688	24	PK	D01381	58		27-32-22	D01503	A1		N2	2			
689	24	PK	D01381	45		27-32-22	SM00085		W	N2	1			
692	24	PK	D01381	8		27-32-21	SM00038		W	N2	1			
693	24	PK	D04347J	30		31-51-21	D00815	6		N2	2			
694	22	PA	D04349J	46		31-51-43	SM00081		W	N2	1			
696	20	PA	GDX0003	D..	2	27-32-12	SM00082		W	N2	1			
697	20	PA	GDX0003	D..	2	27-32-22	SM00085		W	N2	1			
701	24	PK	D00815	49		31-51-21	D00815	22		N2				
702	24	PK	D00815	16		31-51-21	D00815	48		N2				
703	24	PK	D00819	6		31-51-41	SM00019		W	N2	1			
704	24	PK	SM00075		W	31-51-41	D04511J	14		N2	1			
705	24	PK	D00819	45		31-51-41	D04511J	12		N2	2			
706	24	PK	D00819	10		31-51-41	D04349J	31		N2	2			
707	24	PK	D00819	21		31-51-41	D04509J	4		N2	2			
708	24	PK	D00819	9		31-51-41	D04349J	7		N2	2			
709	24	PK	D00819	39		31-51-41	SM00044		W	N2	1			
710	24	PK	D00819	43		31-51-41	SM00037		W	N2	1			
711	24	PK	D00819	12		31-51-41	D04349J	21		N2	2			
712	24	PK	D00819	53		31-51-41	D04349J	3		N2	2			
713	24	PK	D00819	20		31-51-41	D04347J	9		N2	2			
714	24	PK	D00819	44		31-51-41	D04349J	24		N2	2			
715	24	PK	D04507J	6		31-51-42	SM00019		W	N2	1			
716	24	PK	D01433	34		31-51-42	SM00019		W	N2	1			

286T0045-0BT
Wire Bundle Assembly
Figure 149 (Sheet 15)

25-71-02



BOEING
COMPONENT
MAINTENANCE MANUAL

WIRE			FROM EQUIPMENT			TO EQUIPMENT			WIRE INFO				
NUMBER	GA	TYP	NUMBER	TERM	TT	WDM REF	NUMBER	TERM	TT	EMC/SEP	FT	NOTE	EFFECTIVITY
717	24	PK	D01433	37		31-51-42	SM00034		W	N2	1		
718	24	PK	D01433	39		31-51-42	D04509J	2		N2	2		
720	24	PK	D01433	52		31-51-42	SM00040		W	N2	1		
721	24	PK	D01433	38		31-51-42	D04347J	24		N2	2		
722	24	PK	D01433	5		31-51-42	D04349J	22		N2	2		
723	24	PK	D04511J	11		31-51-42	SM00038		W	N2	1		
724	24	PK	D01433	40		31-51-42	SM00038		W	N2	1		
725	24	PK	D01433	3		31-51-42	D04347J	13		N2	2		
726	22	PA	D04347J	14		31-51-21	SM00036		W	N2	1		
727	22	PA	D04301J	11		31-51-21	SM00035		W	N2	1		
728	24	PK	D04347J	1		31-51-41	D00819	35		N2	2		
729	24	PK	D04347J	2		31-51-41	D00819	1		N2	2		
730	24	PK	D04347J	3		31-51-41	D00819	36		N2	2		
731	24	PK	D04347J	4		31-51-41	D00819	2		N2	2		
732	24	PK	D04347J	5		31-51-42	D01433	20		N2	2		
733	24	PK	D04347J	16		34-16-11	D00821	65		N2	2		
734	24	PK	D04347J	8		31-51-31	SM00046		W	N2	1		
735	24	PK	D04507J	7		34-16-11	D00821	34		N2	2		
736	24	PK	D04507J	2		34-16-11	D00821	66		N2	2		
737	24	PK	SM00041		W	34-16-11	D00821	31		N2	1		
738	24	PK	D04347J	19		34-16-11	D00821	7		N2	2		
739	24	PK	SM00075		W	34-16-11	D00821	6		N2	1		
741	24	PK	D00821	18		34-16-11	D00821	22		N2			
742	24	PK	D00821	50		34-16-11	D00821	48		N2			
746	24	PK	D04597J	10		31-51-31	SM00043		W	N2	1		
747	24	PK	D01487	46		31-51-31	SM00043		W	N2	1		
748	24	PK	D04347J	7		31-51-31	SM00045		W	N2	1		
749	24	PK	D01487	10		31-51-31	SM00045		W	N2	1		
750	24	PK	D01487	19		31-51-31	SM00046		W	N2	1		
751	24	PK	D01487	13		31-51-31	SM00040		W	N2	1		
752	24	PK	D01487	47		31-51-31	SM00044		W	N2	1		

286T0045-0BT
Wire Bundle Assembly
Figure 149 (Sheet 16)

25-71-02

TESTING & TROUBLE SHOOTING
01 Page 204U
Nov 01/02

WIRE			FROM EQUIPMENT			TO EQUIPMENT			WIRE INFO				
NUMBER	GA	TYP	NUMBER	TERM	TT	WDM REF	NUMBER	TERM	TT	EMC/SEP	FT	NOTE	EFFECTIVITY
753	24	PK	D01487	51		31-51-31	SM00041		W	N2	1		
755	24	PV	D01487	1		31-51-31	SM00035		W	N2	1		
755Z			D01487	DED		31-51-31	SM00035	DED		N2			
756	24	PK	D01487	50		31-51-31	SM00036		W	N2	1		
757	24	PK	D01487	49		31-51-31	SM00039		W	N2	1		
758	24	PK	D01487	22		31-51-31	D01489	23		N2	2		
759	24	PK	D01487	55		31-51-31	D01489	47		N2	2		
760	24	PK	D01487	34		31-51-31	D01489	51		N2	2		
761	24	PK	D01487	66		31-51-31	D01489	57		N2	2		
762	24	PK	D00817	10		31-51-32	SM00045		W	N2	1		
763	24	PK	D00817	46		31-51-32	SM00043		W	N2	1		
764	24	PV	D00817	1		31-51-32	SM00035		W	N2	1		
764Z			D00817	DED		31-51-32	SM00035	DED		N2			
765	24	PK	D00817	50		31-51-32	SM00036		W	N2	1		
766	24	PV	D00817	49		31-51-32	SM00053		W	N2	1		
766Z			D00817	DED		31-51-32	SM00053	DED		N2			
767	24	PK	D00817	19		31-51-32	SM00046		W	N2	1		
768	24	PK	D00817	13		31-51-32	SM00040		W	N2	1		
769	24	PK	D00817	47		31-51-32	SM00044		W	N2	1		
770	24	PK	D00817	51		31-51-32	SM00041		W	N2	1		
772	24	PK	D00817	22		31-51-32	D01489	54		N2	2		
773	24	PK	D00817	55		31-51-32	D01489	13		N2	2		
774	24	PK	D00817	34		31-51-32	D01489	25		N2	2		
775	24	PK	D00817	66		31-51-32	D01489	58		N2	2		
776	24	PK	D01489	42		31-51-33	D04347J	15		N2	2		
777	24	PK	D01489	8		31-51-33	D04349J	13		N2	2		
779	24	PK	D01489	35		31-51-33	D04349J	40		N2	2		
780	24	PK	D01489	53		31-51-33	D04349J	2		N2	2		
781	24	PK	D01489	31		31-51-33	D01489	48		N2	2		
782	24	PK	D01489	18		31-51-33	D01489	22		N2	2		
783	24	PK	D01489	38		31-51-33	SM00008		W	N2	1		

286T0045-0BT
Wire Bundle Assembly
Figure 149 (Sheet 17)

25-71-02



BOEING
COMPONENT
MAINTENANCE MANUAL

WIRE			FROM EQUIPMENT			TO EQUIPMENT			WIRE INFO				
NUMBER	GA	TYP	NUMBER	TERM	TT	WDM REF	NUMBER	TERM	TT	EMC/SEP	FT	NOTE	EFFECTIVITY
784	24	PK	D01489	4		31-51-33	SM00011		W	N2	1		
785	24	PK	D01489	37		31-51-33	SM00012		W	N2	1		
786	24	PK	D01489	3		31-51-33	SM00010		W	N2	1		
787	24	PK	D01489	1		31-51-33	SM00009		W	N2	1		
788	24	PK	D01489	6		31-51-33	SM00034		W	N2	1		
789	24	PK	D01489	41		31-51-33	D04509J	11		N2	2		
791	24	PK	D01489	7		31-51-33	D04509J	10		N2	2		
792	24	PK	D01489	40		31-51-33	D04509J	9		N2	2		
793	24	PK	D00819	11		31-51-41	SM00075		W	N2	1		
794	20	PA	D04303J	10		31-51-32	GDX0004	S..	2	N2	2		
795	24	PK	D01433	9		31-51-42	D01433	48		N2			
796	24	PK	D01433	22		31-51-42	D01433	50		N2			
797	24	PV	D00815	41		31-51-21	SM00053		W	N2	1		
797Z			D00815	DED		31-51-21	SM00053	DED		N2			
798	24	PV	D04349J	9		31-51-21	SM00053		W	N2	1		
798Z			D04349J	DED		31-51-21	SM00053	DED		N2			
817	24	PK	D00823	55		27-32-12	D11553	6		N2	2		
818	24	PK	D00823	21		27-32-12	D11553	4		N2	2		
819	24	PK	D00823	51		27-32-12	D11553	3		N2	2		
820	24	PK	D00823	50		27-32-12	D11553	2		N2	2		
821	24	PK	D00823	49		27-32-12	D11553	7		N2	2		
822	24	PK	D00823	47		27-32-12	D11553	8		N2	2		
823	24	PK	D00823	46		27-32-12	D11553	9		N2	2		
824	24	PK	D00823	53		27-32-12	D11553	5		N2	2		
825	24	PK	D00823	62		27-32-12	D11553	24		N2	2		
826	24	PK	D01381	55		27-32-22	D11553	16		N2	2		
827	24	PK	D01381	21		27-32-22	D11553	14		N2	2		
828	24	PK	D01381	51		27-32-22	D11553	13		N2	2		
829	24	PK	D01381	50		27-32-22	D11553	12		N2	2		
830	24	PK	D01381	49		27-32-22	D11553	17		N2	2		
831	24	PK	D01381	47		27-32-22	D11553	18		N2	2		

286T0045-0BT
Wire Bundle Assembly
Figure 149 (Sheet 18)

25-71-02

TESTING & TROUBLE SHOOTING

01

Page 204W

Nov 01/02

WIRE			FROM EQUIPMENT			TO EQUIPMENT			WIRE INFO				
NUMBER	GA	TYP	NUMBER	TERM	TT	WDM REF	NUMBER	TERM	TT	EMC/SEP	FT	NOTE	EFFECTIVITY
832	24	PK	D01381	46		27-32-22	D11553	19		N2	2		
833	24	PK	D01381	53		27-32-22	D11553	15		N2	2		
834	24	PK	D01381	62		27-32-22	D11553	34		N2	2		
835	24	PK	D04349J	50		27-32-21	D01381	64		N2	2		
836	20	PA	D04349J	53		27-32-21	GDX0002	S..	2	N2	2		
837	24	PK	D00823	42		27-32-12	SM00082		W	N2	1		
838	24	PK	D01381	42		27-32-22	SM00085		W	N2	1		
842	24	PK	D01381	6		27-32-22	SM00085		W	N2	1		
843	24	PK	D00823	6		27-32-12	SM00082		W	N2	1		
862	22	PA	D02261	30		31-41-35	GDX0006	S..	2	N2	1		
863	22	PA	D02261	32		31-41-35	GDX0006	S..	2	N2	1		
864	22	PA	D02261	33		31-41-35	GDX0006	S..	2	N2	1		
865	22	PA	D02261	64		31-41-35	GDX0006	S..	2	N2	1		
866	24	PV	D02261	27		31-51-11	SM00018		W	N2	1		
866Z			D02261	DED		31-51-11	SM00018	REF		N2			
867	24	PV	D02261	28		31-51-11	SM00047		W	N2	1		
867Z			D02261	DED		31-51-11	SM00047	REF		N2			
868	24	PV	D02261	29		31-51-12	SM00054		W	N2	1		
868Z			D02261	DED		31-51-12	SM00054	REF		N2			
869	24	PK	D02261	34		31-51-12	SM00025		W	N2	1		
870	22	PA	D02261	56		31-51-12	GDX0001	S..	2	N2	2		
871	22	PA	D02261	57		31-51-12	GDX0003	S..	2	N2	2		
872	22	PA	D02261	59		31-51-11	GDX0005	S..	2	N2	1		
873	24	PV	D02261	60		31-51-12	SM00055		W	N2	1		
873Z			D02261	DED		31-51-12	SM00055	REF		N2			
874	24	PV	D02261	62		31-51-11	SM00049		W	N2	1		
874Z			D02261	DED		31-51-11	SM00049	REF		N2			
875	24	PV	D02261	63		31-51-12	SM00056		W	N2	1		
875Z			D02261	DED		31-51-12	SM00056	REF		N2			
876	24	PK	D02261	65		31-51-11	SM00022		W	N2	1		
877	24	PV	D00811	14		31-51-11	SM00018		W	N2	2		

286T0045-0BT
Wire Bundle Assembly
Figure 149 (Sheet 19)

25-71-02



BOEING
COMPONENT
MAINTENANCE MANUAL

WIRE			FROM EQUIPMENT			TO EQUIPMENT			WIRE INFO				
NUMBER	GA	TYP	NUMBER	TERM	TT	WDM REF	NUMBER	TERM	TT	EMC/SEP	FT	NOTE	EFFECTIVITY
877Z			D00811	DED		31-51-11	SM00018	REF		N2			
878	24	PV	D00811	48		31-51-11	SM00047		W	N2	2		
878Z			D00811	DED		31-51-11	SM00047	REF		N2			
879	24	PV	D00811	23		31-51-11	SM00049		W	N2	2		
879Z			D00811	DED		31-51-11	SM00049	REF		N2			
880	24	PV	D00813	14		31-51-12	SM00054		W	N2	2		
880Z			D00813	DED		31-51-12	SM00054	REF		N2			
881	24	PV	D00813	48		31-51-12	SM00055		W	N2	2		
881Z			D00813	DED		31-51-12	SM00055	REF		N2			
882	24	PV	D00813	23		31-51-12	SM00056		W	N2	2		
882Z			D00813	DED		31-51-12	SM00056	REF		N2			
883	22	PA	D02261	15		38-32-11	D04349J	26		N2	2		
884	22	PA	D02261	47		38-32-11	D04347J	27		N2	2		
885	24	PK	D04303J	9		31-51-21	SM00057		W	N2	1		
886	24	PK	D04507J	3		31-51-21	SM00058		W	N2	1		
887	24	PK	D04507J	1		31-51-21	SM00058		W	N2	1		
888	24	PK	SM00057		W	31-51-21	D04349J	25		N2	1	PAJ-F2	

286T0045-0BT
Wire Bundle Assembly
Figure 149 (Sheet 20)

25-71-02

TESTING & TROUBLE SHOOTING
01 Page 204Y
Nov 01/02

WIRE			FROM EQUIPMENT			TO EQUIPMENT			WIRE INFO				
NUMBER	GA	TYP	NUMBER	TERM	TT	WDM REF	NUMBER	TERM	TT	EMC/ SEP	FT	NOTE	EFFECTIVITY
FRA			M01103			31-51-12	M01103	GND	D	N2			
FRB			D00813			31-51-12	D00813	59		N2			
FRC			M01102			31-51-11	M01102	GND	D	N2			
FRD			D00811			31-51-11	D00811	59		N2			
FRG			D04349J	58		31-41-35	D04349J			N2			
FRH			D04349J	61		28-41-11	D04349J			N2			
PA1			D00815	47		99-99-99	D00815	63		N2		DAW-B2	
PA2			D00817	8		99-99-99	D00817	57		N2		DAW-B2	
PA3			D00819	41		99-99-99	D00819	55		N2		DAW-B2	
PA4			D00821	43		99-99-99	D00821	60		N2		DAW-B2	
PA5			D00823	52		99-99-99	D00823	65		N2		DAW-B2	
PA6			D01433	44		99-99-99	D01433	61		N2		DAW-B2	
PA7			D01381	52		99-99-99	D01381	65		N2		DAW-B2	
PA8			D01487	8		99-99-99	D01487	57		N2		DAW-B2	
PA9			D01489	56		99-99-99	D01489	65		N2		DAW-B2	
PB4			D02261	54		99-99-99	D02261	61		N2		DAW-B2	
P01		SE	D11553							N2			
1	22	PA	D00811	60		31-51-11	GDX0001	S..	2	N2	3	UAE-F2	
2	22	PA	D00821	14		31-51-11	GDX0002	D..	2	N2	2		
3	24	PV	D00811	26		31-51-11	D00821	27		N2	3		
003Z			D00811	DED		31-51-11	D00821			N2			
4	24	PV	D00811	49		31-51-11	D00821	32		N2	3		
004Z			D00811	DED		31-51-11	D00821			N2			
5	24	PV	D00811	35		31-51-11	D00821	17		N2	3		
005Z			D00811	DED		31-51-11	D00821			N2			
6	24	PK	SM00022		W	31-51-11	D00821	51		N2	1		
7	24	PK	D00811	65		31-51-11	SM00022		W	N2	2		
8	24	PK	D00819	37		31-51-11	SM00022		W	N2	1		
9	24	PV	D00819	27		31-51-11	D00811	13		N2	3		
009Z			D00811	DED		31-51-11	D00819			N2			
10	22	PA	D00819	14		31-51-11	GDX0001	D..	2	N2	2		

286T0045-0BV
Wire Bundle Assembly
Figure 150 (Sheet 1)

25-71-02



BOEING
COMPONENT
MAINTENANCE MANUAL

WIRE		FROM EQUIPMENT			TO EQUIPMENT			WIRE INFO					
NUMBER	GA	TYP	NUMBER	TERM	TYP	WDM REF	NUMBER	TERM	TYP	EMC/SEP	FT	NOTE	EFFECTIVITY
11	24	PK	D01433	51		31-51-11	SM00022		W	N2	1		
12	24	PV	SM00018		W	31-51-11	D01433	27		N2	1		
012Z			SM00018	REF		31-51-11	D01433			N2			
13	24	PV	SM00047		W	31-51-11	D01433	32		N2	1		
013Z			SM00047	REF		31-51-11	D01433			N2			
14	24	PV	SM00049		W	31-51-11	D01433	17		N2	1		
014Z			SM00049	REF		31-51-11	D01433			N2			
15	22	PA	D01433	14	W	31-51-11	GDX0001	D..	2	N2	2		
16	20	PA	SM00028			31-51-11	GDX0005	D..	2	N2	2		
17	20	UA	GDX0002	S..	2	31-51-11	D00821			N2	2		
18	20	UA	GDX0005	S..	2	31-51-11	D00819			N2	2		
19	20	UA	D01433			31-51-11	GDX0002	S..	2	N2	2		
20	20	PA	GDX0005	D..	2	31-51-11	SM00029		W	N2	2		
21	20	UA	GDX0002	S..	2	31-51-11	D01503			N2	2		
23	20	UA	D00815			31-51-11	GDX0002	S..	2	N2	2		
24	24	PK	D04349J	38		31-51-11	SM00005		W	N2	1		
25	24	PK	D01503	A2		31-51-11	SM00005		W	N2	1		
26	20	PA	D01503	A3		31-51-11	GDX0003	D..	2	N2	2		
27	22	PQ	D01503	X2		31-51-11	D00811	75		N2	4		
027Z			D00811	DED		31-51-11	D01503			N2			
28	24	PV	D01503	X1		31-51-11	SM00015		W	N2	1		
028Z			SM00015	REF		31-51-11	D01503			N2			
29	24	PV	D00811	46		31-51-11	SM00015		W	N2	2		
029Z			SM00015	REF		31-51-11	D00811	DED		N2			
30	24	PK	SM00015		W	31-51-11	D11553	35		N2	1		
32	20	PA	D11553	11		31-51-11	GDX0003	D..	2	N2	2		
33	24	PK	D11553	37		31-51-11	D00811	34		N2	4		
34	24	PK	D11553	36		31-51-11	D00811	33		N2	4		
35	22	PA	D00815	14		31-51-11	GDX0001	D..	2	N2	2		
36	24	PV	D00815	27		31-51-11	D00811	12		N2	3		
036Z			D00811	DED		31-51-11	D00815			N2			

286T0045-OBV
Wire Bundle Assembly
Figure 150 (Sheet 2)

25-71-02

WIRE			FROM EQUIPMENT			TO EQUIPMENT			WIRE INFO				
NUMBER	GA	TYP	NUMBER	TERM	TT	WDM REF	NUMBER	TERM	TT	EMC/SEP	FT	NOTE	EFFECTIVITY
37	24	PV	D00815	32		31-51-11	D00811	17		N2	3		
037Z			D00811	DED		31-51-11	D00815			N2			
38	24	PV	D00815	17		31-51-11	D00811	22		N2	3		
038Z			D00811	DED		31-51-11	D00815			N2			
39	24	PK	D00815	54		31-51-11	SM00020		W	N2	1		
40	24	PK	D00811	63		31-51-11	SM00020		W	N2	2		
41	24	PK	D00823	35		31-51-11	SM00020		W	N2	1		
42	24	PK	D01381	35		31-51-11	SM00020		W	N2	1		
45	22	PA	D01381	14		31-51-11	GDX0001	D..	2	N2	2		
46	22	PA	D01381	48		31-51-11	GDX0003	D..	2	N2	2		
47	24	PV	D01381	27		31-51-11	D00811	11		N2	3		
047Z			D00811	DED		31-51-11	D01381			N2			
48	24	PV	D01381	32		31-51-11	D00811	16		N2	3		
048Z			D00811	DED		31-51-11	D01381			N2			
49	24	PV	D01381	17		31-51-11	D00811	21		N2	3		
049Z			D00811	DED		31-51-11	D01381			N2			
52	22	PA	D00823	14		31-51-11	GDX0001	D..	2	N2	2		
53	22	PA	D00823	48		31-51-11	GDX0003	D..	2	N2	2		
54	24	PV	D00823	27		31-51-11	D00811	10		N2	3		
054Z			D00811	DED		31-51-11	D00823			N2			
55	24	PV	D00823	32		31-51-11	D00811	15		N2	3		
055Z			D00811	DED		31-51-11	D00823			N2			
56	24	PV	D00823	17		31-51-11	D00811	20		N2	3		
056Z			D00811	DED		31-51-11	D00823			N2			
57	22	PA	D00817	14		31-51-11	GDX0002	D..	2	N2	2		
58	24	PV	D00817	27		31-51-11	D00811	51		N2	3		
058Z			D00811	DED		31-51-11	D00817			N2			
59	24	PV	D00817	32		31-51-11	D00811	74		N2	3		
059Z			D00811	DED		31-51-11	D00817			N2			
60	24	PK	D00817	45		31-51-11	SM00021		W	N2	1		
61	24	PK	D00811	64		31-51-11	SM00021		W	N2	2		

286T0045-0BV
Wire Bundle Assembly
Figure 150 (Sheet 3)

25-71-02



BOEING
COMPONENT
MAINTENANCE MANUAL

WIRE		FROM EQUIPMENT			TO EQUIPMENT			WIRE INFO					
NUMBER	GA	TYP	NUMBER	TERM	TT	WDM REF	NUMBER	TERM	TT	EMC/SEP	FT	NOTE	EFFECTIVITY
62	24	PK	D01489	16		31-51-11	SM00021		W	N2	1		
63	24	PK	D01487	45		31-51-11	SM00021		W	N2	1		
64	24	PV	D01487	27		31-51-11	D00811	47		N2	3		
064Z			D00811	DED		31-51-11	D01487			N2			
65	24	PV	D01487	32		31-51-11	D00811	70		N2	3		
065Z			D00811	DED		31-51-11	D01487			N2			
66	22	PA	D01487	14		31-51-11	GDX0003	D..	2	N2	2		
67	24	PV	D01489	27		31-51-11	D00811	45		N2	3		
067Z			D00811	DED		31-51-11	D01489			N2			
68	24	PV	D01489	32		31-51-11	D00811	50		N2	3		
068Z			D00811	DED		31-51-11	D01489			N2			
69	24	PV	D01489	17		31-51-11	D00811	36		N2	3		
069Z			D00811	DED		31-51-11	D01489			N2			
70	22	PA	D01489	14		31-51-11	GDX0003	D..	2	N2	2		
71	20	UA	D01381			31-51-11	GDX0002	S..	2	N2	2		
72	20	UA	D00823			31-51-11	GDX0002	S..	2	N2	2		
73	20	UA	D00817			31-51-11	GDX0002	S..	2	N2	2		
74	20	PA	SM00026		W	31-51-11	GDX0005	D..	2	N2	2		
75	20	UA	D01487			31-51-11	GDX0005	S..	2	N2	2		
76	20	UA	GDX0005	S..	2	31-51-11	D01489			N2	2		
77	24	PK	D02261	40		31-41-35	D04349J	1		N2	2		
78	20	PA	SM00027		W	31-51-11	GDX0005	D..	2	N2	2		
79	22	PA	D00813	60		31-51-12	GDX0003	S..	2	N2	3	UAE-F2	
80	22	PA	D00821	15		31-51-12	GDX0002	D..	2	N2	2		
81	24	PV	D00813	26		31-51-12	D00821	30		N2	3		
081Z			D00813	DED		31-51-12	D00821			N2			
82	24	PV	D00821	33		31-51-12	D00813	49		N2	3		
082Z			D00821	DED		31-51-12	D00813	DED		N2			
83	24	PV	D00821	24		31-51-12	D00813	35		N2	3		
083Z			D00813	DED		31-51-12	D00821			N2			
84	24	PK	D00821	19		31-51-12	SM00025		W	N2	1		

286T0045-OBV
Wire Bundle Assembly
Figure 150 (Sheet 4)

25-71-02

TESTING & TROUBLE SHOOTING

01

Page 206A

Nov 01/02

WIRE			FROM EQUIPMENT			TO EQUIPMENT			WIRE INFO				
NUMBER	GA	TYP	NUMBER	TERM	TT	WDM REF	NUMBER	TERM	TT	EMC/SEP	FT	NOTE	EFFECTIVITY
85	24	PK	D00813	65		31-51-12	SM00025		W	N2	2		
86	24	PK	D00819	3		31-51-12	SM00025		W	N2	1		
87	24	PK	D01433	18		31-51-12	SM00025		W	N2	1		
88	22	PA	D01433	15		31-51-12	GDX0002	D..	2	N2	2		
89	24	PV	D01433	30		31-51-12	SM00054		W	N2	1		
089Z			SM00054	REF		31-51-12	D01433		W	N2	1		
90	24	PV	D01433	33		31-51-12	SM00055		W	N2	1		
090Z			SM00055	REF		31-51-12	D01433		W	N2	1		
91	24	PV	D01433	24		31-51-12	SM00056		W	N2	1		
091Z			SM00056	REF		31-51-12	D01433		W	N2	1		
92	22	PA	D00819	15		31-51-12	GDX0002	D..	2	N2	2		
93	24	PV	D00819	30		31-51-12	D00813	13	2	N2	3		
093Z			D00813	DED		31-51-12	D00819		2	N2	2		
94	20	PA	SM00032		W	31-51-12	GDX0005	D..	2	N2	3		
95	24	PV	D01505	X2		31-51-12	D00813	75	2	N2	3		
095Z			D00813	DED		31-51-12	D01505		W	N2	1		
96	24	PV	D01505	X1		31-51-12	SM00016		W	N2	1		
096Z			SM00016	REF		31-51-12	D01505		W	N2	2		
97	24	PV	D00813	46		31-51-12	SM00016		W	N2	2		
097Z			SM00016	REF		31-51-12	D00813	DED	2	N2	2		
98	20	PA	SM00033		W	31-51-12	GDX0005	D..	2	N2	2		
99	24	PK	SM00016		W	31-51-12	D11553	25	2	N2	1		
100	20	PA	D11553	1		31-51-12	GDX0003	D..	2	N2	2		
101	20	UA	D00821			31-51-12	GDX0004	S..	2	N2	2		
102	20	UA	D00819			31-51-12	GDX0004	S..	2	N2	2		
103	20	UA	D01433			31-51-12	GDX0004	S..	2	N2	2		
104	20	UA	D01505			31-51-12	GDX0005	S..	2	N2	2		
106	20	UA	D00815			31-51-12	GDX0004	S..	2	N2	2		
107	20	UA	D01381			31-51-12	GDX0004	S..	2	N2	2		
109	20	UA	D00817			31-51-12	GDX0004	S..	2	N2	2		
110	20	UA	D01487			31-51-12	GDX0001	S..	2	N2	2		

286T0045-0BV
Wire Bundle Assembly
Figure 150 (Sheet 5)

25-71-02



BOEING
COMPONENT
MAINTENANCE MANUAL

WIRE			FROM EQUIPMENT			TO EQUIPMENT			WIRE INFO				
NUMBER	GA	TYP	NUMBER	TERM	TT	WDM REF	NUMBER	TERM	TT	EMC/SEP	FT	NOTE	EFFECTIVITY
111	20	UA	D01489			31-51-12	GDX0001	S..	2	N2	2		
112	22	PA	D00815	15		31-51-12	GDX0001	D..	2	N2	2		
113	24	PK	D01505	A2		31-51-12	SM00005		W	N2	2		
114	20	PA	D01505	A3		31-51-12	GDX0003	D..	2	N2	1		
115	24	PK	D02261	21		21-61-51	D04347J	25		N2	2		
116	24	PK	D00815	21		31-51-12	SM00023		W	N2	2		
117	24	PK	D00813	63		31-51-12	SM00023		W	N2	1		
118	24	PK	D00823	1		31-51-12	SM00023		W	N2	2		
119	24	PK	D01381	1		31-51-12	SM00023		W	N2	1		
120	22	PA	D01381	15		31-51-12	GDX0001	D..	2	N2	1		
121	24	PK	D00817	56		31-51-12	SM00024		W	N2	2		
122	24	PK	D00813	64		31-51-12	SM00024		W	N2	1		
123	24	PK	D01487	56		31-51-12	SM00024		W	N2	2		
124	22	PA	D00823	15		31-51-12	GDX0001	D..	2	N2	1		
125	20	UA	D00823			31-51-12	GDX0004	S..	2	N2	2		
126	24	PV	D00823	33		31-51-12	D00813	15		N2	2		
126Z			D00823			31-51-12	D00813	DED		N2	3		
127	24	PV	D00823	24		31-51-12	D00813	20		N2	2		
127Z			D00823			31-51-12	D00813	DED		N2	3		
128	22	PA	D00817	15		31-51-12	GDX0002	D..	2	N2	2		
129	24	PV	D00817	30		31-51-12	D00813	51		N2	2		
129Z			D00817			31-51-12	D00813	DED		N2	3		
130	24	PV	D00817	33		31-51-12	D00813	74		N2	2		
130Z			D00817			31-51-12	D00813	DED		N2	3		
131	24	PV	D00813	11		31-51-12	D01381	30		N2	2		
131Z			D01381			31-51-12	D00813	DED		N2	3		
132	24	PV	D00813	16		31-51-12	D01381	33		N2	2		
132Z			D01381			31-51-12	D00813	DED		N2	3		
133	24	PV	D01381	24		31-51-12	D00813	21		N2	2		
133Z			D01381			31-51-12	D00813	DED		N2	3		
134	24	PK	D01489	50		31-51-12	SM00024		W	N2	2		

286T0045-OBV
Wire Bundle Assembly
Figure 150 (Sheet 6)

25-71-02

TESTING & TROUBLE SHOOTING

01

Page 206C

Nov 01/02

WIRE			FROM EQUIPMENT			TO EQUIPMENT			WIRE INFO				
NUMBER	GA	TYP	NUMBER	TERM	TT	WDM REF	NUMBER	TERM	TT	EMC/SEP	FT	NOTE	EFFECTIVITY
135	24	PV	D01487	30		31-51-12	D00813	47		N2	1		
135Z			D01487			31-51-12	D00813	DED		N2	3		
136	24	PV	D01487	33		31-51-12	D00813	70		N2			
136Z			D01487			31-51-12	D00813	DED		N2	3		
137	22	PA	D01487	15		31-51-12	GDX0003	D..	2	N2			
138	24	PV	D01489	30		31-51-12	D00813	45		N2	2		
138Z			D01489			31-51-12	D00813	DED		N2	3		
139	24	PV	D01489	33		31-51-12	D00813	50		N2			
139Z			D01489			31-51-12	D00813	DED		N2	3		
140	24	PV	D01489	24		31-51-12	D00813	36		N2			
140Z			D01489			31-51-12	D00813	DED		N2	3		
141	22	PA	D01489	15		31-51-12	GDX0003	D..	2	N2			
142	24	PK	D00813	33		31-51-12	D11553	26		N2	2		
143	24	PK	D11553	27		31-51-12	D00813	34		N2	3		
144	24	PV	D00813	12		31-51-12	D00815	30		N2	3		
144Z			D00813	DED		31-51-12	D00815			N2	3		
145	20	PA	SM00030		W	31-51-12	GDX0005	D..	2	N2			
146	24	PV	D00813	17		31-51-12	D00815	33		N2			
146Z			D00813	DED		31-51-12	D00815			N2	3		
147	24	PV	D00813	22		31-51-12	D00815	24		N2			
147Z			D00813	DED		31-51-12	D00815			N2	3		
148	24	PV	D00813	10		31-51-12	D00823	30		N2			
148Z			D00813	DED		31-51-12	D00823			N2	3		
149	20	PA	SM00031		W	31-51-12	GDX0005	D..	2	N2			
150	22	PA	D04301J	6		27-32-11	D00823	34		N2			
151	24	PK	D04509J	1		27-32-11	D00823	39		N2	2		
152	24	PK	D04347J	26		27-32-11	D00823	40		N2	2		
153	24	PK	D00823	31		27-32-11	D04509J	6		N2	2		
154	20	PA	D04509J	7		27-32-11	GDX0001	D..	2	N2	2		
155	24	PK	SM00037		W	27-32-11	D04511J	3		N2	2		
156	24	PK	D00823	38		27-32-11	D04511J	2		N2	1		

286T0045-OBV
Wire Bundle Assembly
Figure 150 (Sheet 7)

25-71-02



BOEING
COMPONENT
MAINTENANCE MANUAL

WIRE		FROM EQUIPMENT			TO EQUIPMENT			WIRE INFO					
NUMBER	GA	TYP	NUMBER	TERM	TT	WDM REF	NUMBER	TERM	TT	EMC/SEP	FT	NOTE	EFFECTIVITY
157	24	PK	D04511J	4		27-32-11	SM00050		W	N2	2		
158	24	PK	SM00037		W	27-32-11	D00823	4		N2	1		
159	24	PK	D04349J	14		27-32-11	D00823	36		N2	1		
160	24	PK	D04349J	15		27-32-11	D00823	3		N2	1		
161	24	PK	D04349J	16		27-32-11	D00823	43		N2	1		
162	24	PK	D04349J	10		27-32-11	D00823	2		N2	1		
165	22	PA	D04349J	11		27-32-21	D01381	34		N2	1		
166	24	PK	D01381	40		27-32-21	D04349J	6		N2	2		
167	24	PK	D01381	31		27-32-21	D04511J	7		N2	2		
168	20	PA	GDX0002	D..	2	27-32-21	D04511J	8		N2	2		
169	24	PK	D04349J	34		27-32-21	D01381	36		N2	2		
170	24	PK	D04349J	35		27-32-21	D01381	3		N2	2		
171	24	PK	D04349J	36		27-32-21	D01381	43		N2	2		
172	24	PK	D04349J	37		27-32-21	D01381	2		N2	2		
173	24	PK	D04511J	13		27-32-21	D01381	4		N2	2		
174	24	PK	D04511J	16		27-32-21	D01381	37		N2	2		
175	24	PK	D04511J	15		27-32-21	D01381	38		N2	2		
176	24	PK	D04509J	8		27-32-21	D01381	39		N2	2		
177	24	PK	D00815	34		31-51-21	SM00057		W	N2	2		
178	24	PK	D00815	43		31-51-21	D01433	19		N2	1		
179	24	PK	D00815	10		31-51-21	D00819	5		N2	2		
180	24	PK	D04507J	5		31-51-21	SM00034		W	N2	2		
181	24	PK	SM00058		W	31-51-21	D00815	66		N2	1		
182	24	PK	D00815	4		31-51-21	SM00034		W	N2	1		
183	24	PK	D00815	11		31-51-21	D04349J	39		N2	1		
184	22	PA	D00815	37		31-51-21	SM00035		W	N2	2		
185	22	PA	D00815	42		31-51-21	SM00036		W	N2	1		
186	24	PK	D04349J	5		31-51-21	SM00012		W	N2	1		
187	24	PK	D00815	2		31-51-21	SM00012		W	N2	1		
188	24	PK	SM00011		W	31-51-21	D04349J	4		N2	1		
189	24	PK	SM00011		W	31-51-21	D00815	35		N2	1		

286T0045-OBV
Wire Bundle Assembly
Figure 150 (Sheet 8)

25-71-02

TESTING & TROUBLE SHOOTING
01

Page 206E
Nov 01/02

WIRE			FROM EQUIPMENT			TO EQUIPMENT			WIRE INFO				
NUMBER	GA	TYP	NUMBER	TERM	TT	WDM REF	NUMBER	TERM	TT	EMC/SEP	FT	NOTE	EFFECTIVITY
190	24	PK	D04349J	12		31-51-21	SM00009		W	N2	1		
191	24	PK	D00815	44		31-51-21	SM00009		W	N2	1		
192	24	PK	D04347J	10		31-51-21	SM00008		W	N2	1		
193	24	PK	D00815	1		31-51-21	SM00008		W	N2	1		
194	24	PK	D04347J	11		31-51-21	SM00010		W	N2	1		
195	24	PK	D00815	36		31-51-21	SM00010		W	N2	1		
196	24	PK	SM00039		W	31-51-21	D04347J	21		N2	1		
197	24	PK	D00815	45		31-51-21	SM00039		W	N2	1		
198	24	PK	D00815	46		31-51-21	D04347J	6		N2	1		
199	20	PA	GDX0004	S..	2	31-51-31	D04597J	14		N2	2		
201B	24	PW	D01489	43		31-51-33	SM00004		W	N2	2		
201R	24	PW	D01489	9		31-51-33	SM00003		W	N2	1		
201Z			D01489	DED		31-51-33	SM00003	REF		N2			
204	20	UA	D04507J			27-32-11	GDX0004	S..	2	N2			
204B	24	PW	D00823	18		27-32-11	D04507J	12		N2	2		
204R	24	PW	D00823	16		27-32-11	D04507J	11		N2	1		
204Z			D00823	DED		27-32-11	D04507J			N2			
205B	24	PW	D00815	19		31-51-21	SM00007		W	N2			
205R	24	PW	D00815	52		31-51-21	SM00006		W	N2	1		
205Z			D00815	DED		31-51-21	SM00006	REF		N2			
207	20	UA	D04597J			31-51-21	GDX0004	S..	2	N2			
207B	24	PW	SM00007		W	31-51-21	D04597J	4		N2	2		
207R	24	PW	SM00006		W	31-51-21	D04597J	3		N2	1		
207Z			SM00006	REF		31-51-21	D04597J			N2			
208	20	UA	D04301J			34-16-11	GDX0002	S..	2	N2			
208B	24	PW	D00821	36		34-16-11	D04301J	9		N2	2		
208R	24	PW	D00821	2		34-16-11	D04301J	8		N2	2		
208Z			D00821	DED		34-16-11	D04301J			N2			
209B	24	PW	D01489	46		31-51-33	SM00007		W	N2			
209R	24	PW	D01489	12		31-51-33	SM00006		W	N2	1		
209Z			D01489	DED		31-51-33	SM00006	REF		N2			

286T0045-0BV
Wire Bundle Assembly
Figure 150 (Sheet 9)

25-71-02



BOEING
COMPONENT
MAINTENANCE MANUAL

WIRES		FROM EQUIPMENT			TO EQUIPMENT			WIRE INFO					
NUMBER	GA	TYP	NUMBER	TERM	TT	WDM REF	NUMBER	TERM	TT	EMC/SEP	FT	NOTE	EFFECTIVITY
212B	24	PW	D01433	36		31-51-42	SM00007		W	N2	1		
212R	24	PW	D01433	2		31-51-42	SM00006		W	N2			
212Z			D01433	DED		31-51-42	SM00006	REF		N2			
213	20	UA	D04507J			34-16-11	GDX0004	S..	2	N2			
213B	24	PW	D00821	35		34-16-11	D04507J	8		N2	2		
213R	24	PW	D00821	1		34-16-11	D04507J	9		N2	2		
213Z			D00821	DED		34-16-11	D04507J			N2			
214	20	UA	D04349J			34-16-11	GDX0004	S..	2	N2			
214B	24	PW	D00821	37		34-16-11	D04349J	19		N2	2		
214R	24	PW	D00821	3		34-16-11	D04349J	18		N2	2		
214Z			D00821	DED		34-16-11	D04349J			N2			
215B	24	PL	D01487	24		31-51-31	D04597J	12		N2			
215R	24	PL	D01487	23		31-51-31	D04597J	13		N2	2		
216B	24	PL	D00817	24		31-51-32	D04303J	12		N2			
216R	24	PL	D00817	23		31-51-32	D04303J	11		N2	2		
221B	24	PW	D01489	45		31-51-33	SM00004		W	N2	1		
221R	24	PW	D01489	11		31-51-33	SM00003		W	N2			
221Z			D01489	DED		31-51-33	SM00003	REF		N2			
223B	24	PW	D00821	38		34-16-11	SM00004		W	N2			
223R	24	PW	D00821	4		34-16-11	SM00003		W	N2	1		
223Z			D00821	DED		34-16-11	SM00003	REF		N2			
224	20	UA	D04349J			27-32-21	GDX0004	S..	2	N2			
224B	24	PW	D04349J	28		27-32-21	D01381	18		N2	2		
224R	24	PW	D04349J	27		27-32-21	D01381	16		N2	2		
224Z			D04349J	DED		27-32-21	D01381	DED		N2			
225B	22	PR	D00811	69		31-51-11	SM00060		W	N2			
225R	22	PR	D00811	68		31-51-11	SM00060		W	N2	2		
225Z			D00811	DED		31-51-11	SM00028	REF		N2			
226B	22	PR	D00813	69		31-51-12	SM00061		W	N2			
226R	22	PR	D00813	68		31-51-12	SM00061		W	N2	2		
226Z			D00813	DED		31-51-12	SM00030	REF		N2			

286T0045-OBV
Wire Bundle Assembly
Figure 150 (Sheet 10)

25-71-02

TESTING & TROUBLE SHOOTING
01 Page 206G
Nov 01/02

WIRE			FROM EQUIPMENT			TO EQUIPMENT			WIRE INFO				
NUMBER	GA	TYP	NUMBER	TERM	TT	WDM REF	NUMBER	TERM	TT	EMC/SEP	FT	NOTE	EFFECTIVITY
230	20	UA	D04347J			31-51-33	GDX0003	S..	2	N2			
230B	24	PW	D04347J	18		31-51-33	SM00004		W	N2	2		
230R	24	PW	D04347J	17		31-51-33	SM00003		W	N2	1		
230Z			D04347J			31-51-33	SM00003	REF		N2			
236	20	UA	D04347J			27-32-11	GDX0001	S..	2	N2			
236B	24	PW	D04347J	37		27-32-11	D00823	54		N2	2		
236R	24	PW	D04347J	36		27-32-11	D00823	23		N2	2		
236Z			D04347J			27-32-11	D00823	DED		N2			
237B	24	PW	D04347J	40		27-32-11	D00823	13		N2			
237R	24	PW	D04347J	39		27-32-11	D00823	12		N2	2		
237Z			D04347J			27-32-11	D00823	DED		N2			
238	20	UA	D04349J			27-32-21	GDX0001	S..	2	N2			
238B	24	PW	D04349J	49		27-32-21	D01381	54		N2	2		
238R	24	PW	D04349J	48		27-32-21	D01381	23		N2	2		
238Z			D04349J			27-32-21	D01381	DED		N2			
239B	24	PW	D01381	20		27-32-21	D04349J	55		N2			
239R	24	PW	D01381	19		27-32-21	D04349J	54		N2	2		
239Z			D01381	DED		27-32-21	D04349J			N2			
240B	24	PL	D04347J	23		31-51-31	SM00080		W	N2	1		
240R	24	PL	D04347J	22		31-51-31	SM00042		W	N2			
241B	24	PL	D01487	60		31-51-31	SM00080		W	N2	1		
241R	24	PL	D01487	28		31-51-31	SM00042		W	N2			
242B	24	PL	D00817	60		31-51-32	SM00080		W	N2	1		
242R	24	PL	D00817	28		31-51-32	SM00042		W	N2			
243B	24	PW	D04349J	52		27-32-21	D01381	13		N2	2		
243R	24	PW	D04349J	51		27-32-21	D01381	12		N2	2		
243Z			D04349J			27-32-21	D01381	DED		N2			
245B	24	PW	D00823	20		27-32-11	D04347J	48		N2			
245R	24	PW	D00823	19		27-32-11	D04347J	47		N2	2		
245Z			D00823	DED		27-32-11	D04347J			N2			
247	20	UA	D04349J			31-41-35	GDX0006	S..	2	N2			

286T0045-OBV
Wire Bundle Assembly
Figure 150 (Sheet 11)

25-71-02



BOEING
COMPONENT
MAINTENANCE MANUAL

WIRE			FROM EQUIPMENT			TO EQUIPMENT			WIRE INFO				
NUMBER	GA	TYP	NUMBER	TERM	TT	WDM REF	NUMBER	TERM	TT	EMC/SEP	FT	NOTE	EFFECTIVITY
247B	24	PW	D02261	42		31-41-35	D04349J	57		N2	2		
247R	24	PW	D02261	43		31-41-35	D04349J	56		N2	2		
247Z			D02261	DED		31-41-35	D04349J			N2			
248	20	UA	D04349J			28-41-11	GDX0006	S..	2	N2			
248B	24	PW	D02261	5		28-41-11	D04349J	60		N2	2		
248R	24	PW	D02261	8		28-41-11	D04349J	59		N2	2		
248Z			D02261	DED		28-41-11	D04349J			N2			
271B	24	PL	D04597J	5		31-51-31	SM00088		W	N2	1		
271R	24	PL	D04597J	2		31-51-31	SM00087		W	N2			
272B	24	PL	D01487	63		31-51-31	SM00088		W	N2	1		
272R	24	PL	D01487	62		31-51-31	SM00087		W	N2			
273B	24	PL	D00817	63		31-51-32	SM00088		W	N2	1		
273R	24	PL	D00817	62		31-51-32	SM00087		W	N2			
289	24	PK	D01489	21		31-51-33	D04509J	5		N2	1		
290B	24	PW	D04597J	8		34-43-15	SM00104		W	N2	1		
290R	24	PW	D04597J	7		34-43-15	SM00103		W	N2			
290Z			D04597J	9		34-43-15	SM00103	REF		N2			
291B	24	PW	D04303J	4		34-43-15	SM00104		W	N2	1		
291R	24	PW	D04303J	3		34-43-15	SM00103		W	N2			
291Z			D04303J	5		34-43-15	SM00103	REF		N2			
292B	24	PW	D04347J	53		34-43-15	SM00104		W	N2	1		
292R	24	PW	D04347J	51		34-43-15	SM00103		W	N2			
292Z			D04347J	61		34-43-15	SM00103	REF		N2			
301	20	UA	SM00028	REF		31-51-11	GDX0005	S..	2	N2	1		
301B	22	PS	D00811	57		31-51-11	SM00028		W	N2	2		
301R	22	PS	D00811	38		31-51-11	SM00028		W	N2			
301Y	22	PS	D00811	58		31-51-11	SM00028		W	N2			
301Z			D00811	DED		31-51-11	SM00028	REF		N2			
302B	22	PS	D00811	42		31-51-11	SM00029		W	N2	2		
302R	22	PS	D00811	41		31-51-11	SM00029		W	N2			
302Y	22	PS	D00811	43		31-51-11	SM00029		W	N2			

286T0045-0BV
Wire Bundle Assembly
Figure 150 (Sheet 12)

25-71-02

TESTING & TROUBLE SHOOTING

01

Page 2061

Nov 01/02

WIRE			FROM EQUIPMENT			TO EQUIPMENT			WIRE INFO				
NUMBER	GA	TYP	NUMBER	TERM	TT	WDM REF	NUMBER	TERM	TT	EMC/SEP	FT	NOTE	EFFECTIVITY
302Z			D00811	DED		31-51-11	SM00028	REF		N2			
303B	22	PS	D00811	8		31-51-11	SM00026		W	N2	2		
303R	22	PS	D00811	7		31-51-11	SM00026		W	N2			
303Y	22	PS	D00811	9		31-51-11	SM00026		W	N2			
303Z			D00811	DED		31-51-11	SM00028	REF		N2	2		
304B	22	PS	D00811	25		31-51-11	SM00027		W	N2			
304R	22	PS	D00811	24		31-51-11	SM00027		W	N2			
304Y	22	PS	D00811	37		31-51-11	SM00027		W	N2			
304Z			D00811	DED		31-51-11	SM00028	REF		N2			
305	20	UA	SM00030	REF		31-51-12	GDX0005	S..	2	N2	1		
305B	22	PS	D00813	8		31-51-12	SM00030		W	N2	2		
305R	22	PS	D00813	7		31-51-12	SM00030		W	N2			
305Y	22	PS	D00813	9		31-51-12	SM00030		W	N2			
305Z			D00813	DED		31-51-12	SM00030	REF		N2			
306B	22	PS	D00813	25		31-51-12	SM00031		W	N2	2		
306R	22	PS	D00813	24		31-51-12	SM00031		W	N2			
306Y	22	PS	D00813	37		31-51-12	SM00031		W	N2			
306Z			D00813	DED		31-51-12	SM00030	REF		N2			
307B	22	PS	D00813	57		31-51-12	SM00032		W	N2	2		
307R	22	PS	D00813	38		31-51-12	SM00032		W	N2			
307Y	22	PS	D00813	58		31-51-12	SM00032		W	N2			
307Z			D00813	DED		31-51-12	SM00030	REF		N2			
308B	22	PS	D00813	42		31-51-12	SM00033		W	N2	2		
308R	22	PS	D00813	41		31-51-12	SM00033		W	N2			
308Y	22	PS	D00813	43		31-51-12	SM00033		W	N2			
308Z			D00813	DED		31-51-12	SM00030	REF		N2			
512	24	PK	D02261	20		27-81-31	D04349J	8		N2	2		
601	20	PA	SM00060		W	31-51-11	GDX0004	D..	2	N2			
602	20	PA	SM00061		W	31-51-12	GDX0005	D..	2	N2			
603	24	PV	D04301J	5		31-51-12	M01103	INE	D	N2	1		
603Z			D04301J	DED		31-51-12	M01103		D	N2			

286T0045-0BV
Wire Bundle Assembly
Figure 150 (Sheet 13)

25-71-02



BOEING
COMPONENT
MAINTENANCE MANUAL

WIRE		FROM EQUIPMENT			TO EQUIPMENT			WIRE INFO					
NUMBER	GA	TYP	NUMBER	TERM	TT	WDM REF	NUMBER	TERM	TT	EMC/SEP	FT	NOTE	EFFECTIVITY
604	24	PV	D04301J	4		31-51-12	D00813	4		N2	3		
604Z			D04301J	DED		31-51-12	D00813			N2			
605	24	PV	D00813	1		31-51-12	M01103	OAD	D	N2	3		
605Z			D00813			31-51-12	M01103	DED		N2			
606	24	PV	D04349J	32		31-51-11	M01102	INE	D	N2	1		
606Z			D04349J	DED		31-51-11	M01102			N2			
607	24	PV	D04349J	33		31-51-11	D00811	4		N2	3		
607Z			D04349J	DED		31-51-11	D00811			N2			
608	24	PV	D00811	1		31-51-11	M01102	OAD	D	N2	3		
608Z			D00811			31-51-11	M01102	DED		N2			
610	24	PK	D00823	37		27-32-11	SM00050		W	N2	1		
611	24	PK	D01433	6		31-51-42	D04347J	20		N2	2		
612	24	PK	D01433	4		31-51-42	SM00050		W	N2	1		
613	24	PK	D04349J	30		31-51-31	SM00065		W	N2	1		
614	24	PK	D01487	52		31-51-31	SM00065		W	N2	1		
615	24	PK	D00817	52		31-51-32	SM00065		W	N2	1		
617	24	PK	D01381	11		27-32-12	D00823	56		N2	1		
618	24	PK	D01381	56		27-32-12	D00823	11		N2	1		
619	24	PK	D00823	45		27-32-12	SM00082		W	N2	1		
620	24	PK	D04349J	29		31-51-21	SM00071		W	N2	1		
621	24	PK	D00815	7		31-51-21	SM00071		W	N2	1		
622	24	PK	D01489	2		31-51-33	SM00071		W	N2	1		
623	24	PK	D01489	36		31-51-33	SM00038		W	N2	1		
624	24	PK	D00815	8		31-51-21	SM00045		W	N2	1		
625	24	PK	D01487	9		31-51-31	SM00034		W	N2	1		
631	24	PK	D00817	9		31-51-32	SM00034		W	N2	1		
644	22	PQ	D00823	66		27-32-31	D04347J	42		N2	2		
644Z			D00823	DED		27-32-31	D04347J	DED		N2			
646	22	PQ	D01381	66		27-32-31	D04349J	42		N2	2		
646Z			D01381	DED		27-32-31	D04349J	DED		N2			
681	24	PK	D01433	10		31-51-43	D04507J	10		N2	2		

286T0045-OBV
Wire Bundle Assembly
Figure 150 (Sheet 14)

25-71-02

WIRE			FROM EQUIPMENT				TO EQUIPMENT				WIRE INFO			
NUMBER	GA	TYP	NUMBER	TERM	TT	WDM REF	NUMBER	TERM	TT	EMC/SEP	FT	NOTE	EFFECTIVITY	
682	24	PK	D01433	13		31-51-43	D04347J	46		N2	1			
683	22	PA	D01433	41		31-51-43	SM00081		W	N2	2			
684	20	PA	GDX0001	D..	2	31-51-43	D04349J	47		N2	2			
685	24	PK	D00823	58		27-32-12	D01505	A1		N2	1			
686	24	PK	D00823	8		27-32-11	SM00038		W	N2	2			
687	24	PK	D00823	64		27-32-11	SM00081		W	N2	2			
688	24	PK	D01381	58		27-32-22	D01503	A1		N2	1			
689	24	PK	D01381	45		27-32-22	SM00085		W	N2	1	PAJ-F2		
692	24	PK	D01381	8		27-32-21	SM00038	6	W	N2	2			
693	24	PK	D04347J	30		31-51-21	D00815		W	N2	1			
694	22	PA	D04349J	46		31-51-43	SM00081		W	N2	1			
696	20	PA	GDX0003	D..	2	27-32-12	SM00082		W	N2	2			
697	20	PA	GDX0003	D..	2	27-32-22	SM00085		W	N2	1			
701	24	PK	D00815	49		31-51-21	D00815	22		N2	1			
702	24	PK	D00815	16		31-51-21	D00815	48		N2	1			
703	24	PK	D00819	6		31-51-41	SM00019		W	N2				
704	24	PK	SM00075		W	31-51-41	D04511J	14		N2				
705	24	PK	D00819	45		31-51-41	D04511J	12		N2	1			
706	24	PK	D00819	10		31-51-41	D04349J	31		N2	1			
707	24	PK	D00819	21		31-51-41	D04509J	4		N2	2			
708	24	PK	D00819	9		31-51-41	D04349J	7		N2	2			
709	24	PK	D00819	39		31-51-41	SM00044		W	N2	2			
710	24	PK	D00819	43		31-51-41	SM00037		W	N2	2			
711	24	PK	D00819	12		31-51-41	D04349J	21		N2	1			
712	24	PK	D00819	53		31-51-41	D04349J	3		N2	1			
713	24	PK	D00819	20		31-51-41	D04347J	9		N2	2			
714	24	PK	D00819	44		31-51-41	D04349J	24		N2	2			
715	24	PK	D04507J	6		31-51-42	SM00019		W	N2	2			
716	24	PK	D01433	34		31-51-42	SM00019		W	N2	2			
717	24	PK	D01433	37		31-51-42	SM00034		W	N2	1			
718	24	PK	D01433	39		31-51-42	D04509J	2		N2	1			

286T0045-0BV
Wire Bundle Assembly
Figure 150 (Sheet 15)

25-71-02



BOEING
COMPONENT
MAINTENANCE MANUAL

WIRE			FROM EQUIPMENT			TO EQUIPMENT			WIRE INFO				
NUMBER	GA	TYP	NUMBER	TERM	TT	WDM REF	NUMBER	TERM	TT	EMC/SEP	FT	NOTE	EFFECTIVITY
720	24	PK	D01433	52		31-51-42	SM00040		W	N2	1		
721	24	PK	D01433	38		31-51-42	D04347J	24		N2	2		
722	24	PK	D01433	5		31-51-42	D04349J	22		N2	1		
723	24	PK	D04511J	11		31-51-42	SM00038		W	N2	2		
724	24	PK	D01433	40		31-51-42	SM00038		W	N2	2		
725	24	PK	D01433	3		31-51-42	D04347J	13		N2	1		
726	22	PA	D04347J	14		31-51-21	SM00036		W	N2	1		
727	22	PA	D04301J	11		31-51-21	SM00035		W	N2	2		
728	24	PK	D04347J	1		31-51-41	D00819	35		N2	1		
729	24	PK	D04347J	2		31-51-41	D00819	1		N2	1		
730	24	PK	D04347J	3		31-51-41	D00819	36		N2	2		
731	24	PK	D04347J	4		31-51-41	D00819	2		N2	2		
732	24	PK	D04347J	5		31-51-42	D01433	20		N2	2		
733	24	PK	D04347J	16		34-16-11	D00821	65		N2	2		
734	24	PK	D04347J	8		31-51-31	SM00046		W	N2	2		
735	24	PK	D04507J	7		34-16-11	D00821	34		N2	2		
736	24	PK	D04507J	2		34-16-11	D00821	66		N2	1		
737	24	PK	SM00041		W	34-16-11	D00821	31		N2	2		
738	24	PK	D04347J	19		34-16-11	D00821	7		N2	2		
739	24	PK	SM00075		W	34-16-11	D00821	6		N2	1		
740	24	PK	SM00038		W	34-16-11	D00821	40		N2	2		
741	24	PK	D00821	18		34-16-11	D00821	22		N2	1		
742	24	PK	D00821	50		34-16-11	D00821	48		N2			
746	24	PK	D04597J	10		31-51-31	SM00043		W	N2	1		
747	24	PK	D01487	46		31-51-31	SM00043		W	N2	1		
748	24	PK	D04347J	7		31-51-31	SM00045		W	N2	1		
749	24	PK	D01487	10		31-51-31	SM00045		W	N2	1		
750	24	PK	D01487	19		31-51-31	SM00046		W	N2	1		
751	24	PK	D01487	13		31-51-31	SM00040		W	N2	1		
752	24	PK	D01487	47		31-51-31	SM00044		W	N2	1		
753	24	PK	D01487	51		31-51-31	SM00041		W	N2	1		

286T0045-OBV
Wire Bundle Assembly
Figure 150 (Sheet 16)

25-71-02

TESTING & TROUBLE SHOOTING
01 Page 206M

Nov 01/02

WIRE			FROM EQUIPMENT			TO EQUIPMENT			WIRE INFO				
NUMBER	GA	TYP	NUMBER	TERM	TT	WDM REF	NUMBER	TERM	TT	EMC/SEP	FT	NOTE	EFFECTIVITY
755	24	PV	D01487	1		31-51-31	SM00035		W	N2	1		
755Z			D01487	DED		31-51-31	SM00035	DED		N2	1		
756	24	PK	D01487	50		31-51-31	SM00036		W	N2			
757	24	PK	D01487	49		31-51-31	SM00039		W	N2			
758	24	PK	D01487	22		31-51-31	D01489	23		N2	1		
759	24	PK	D01487	55		31-51-31	D01489	47		N2	2		
760	24	PK	D01487	34		31-51-31	D01489	51		N2	2		
761	24	PK	D01487	66		31-51-31	D01489	57		N2	2		
762	24	PK	D00817	10		31-51-32	SM00045		W	N2	2		
763	24	PK	D00817	46		31-51-32	SM00043		W	N2	1		
764	24	PV	D00817	1		31-51-32	SM00035		W	N2	1		
764Z			D00817	DED		31-51-32	SM00035	DED		N2	1		
765	24	PK	D00817	50		31-51-32	SM00036		W	N2			
766	24	PV	D00817	49		31-51-32	SM00053		W	N2	1		
766Z			D00817	DED		31-51-32	SM00053	DED		N2	1		
767	24	PK	D00817	19		31-51-32	SM00046		W	N2			
768	24	PK	D00817	13		31-51-32	SM00040		W	N2	1		
769	24	PK	D00817	47		31-51-32	SM00044		W	N2	1		
770	24	PK	D00817	51		31-51-32	SM00041		W	N2	1		
772	24	PK	D00817	22		31-51-32	D01489	54		N2	1		
773	24	PK	D00817	55		31-51-32	D01489	13		N2	2		
774	24	PK	D00817	34		31-51-32	D01489	25		N2	2		
775	24	PK	D00817	66		31-51-32	D01489	58		N2	2		
776	24	PK	D01489	42		31-51-33	D04347J	15		N2	2		
777	24	PK	D01489	8		31-51-33	D04349J	13		N2	2		
779	24	PK	D01489	35		31-51-33	D04349J	40		N2	2		
780	24	PK	D01489	53		31-51-33	D04349J	2		N2	2		
781	24	PK	D01489	31		31-51-33	D01489	48		N2	2		
782	24	PK	D01489	18		31-51-33	D01489	22		N2	2		
783	24	PK	D01489	38		31-51-33	SM00008		W	N2			
784	24	PK	D01489	4		31-51-33	SM00011		W	N2	1		

286T0045-0BV
Wire Bundle Assembly
Figure 150 (Sheet 17)

25-71-02



BOEING
COMPONENT
MAINTENANCE MANUAL

WIRE		FROM EQUIPMENT			TO EQUIPMENT			WIRE INFO					
NUMBER	GA	TYP	NUMBER	TERM	TT	WDM REF	NUMBER	TERM	TT	EMC/SEP	FT	NOTE	EFFECTIVITY
785	24	PK	D01489	37		31-51-33	SM00012		W	N2	1		
786	24	PK	D01489	3		31-51-33	SM00010		W	N2	1		
787	24	PK	D01489	1		31-51-33	SM00009		W	N2	1		
788	24	PK	D01489	6		31-51-33	SM00034		W	N2	1		
789	24	PK	D01489	41		31-51-33	D04509J	11		N2	1		
791	24	PK	D01489	7		31-51-33	D04509J	10		N2	2		
792	24	PK	D01489	40		31-51-33	D04509J	9		N2	2		
793	24	PK	D00819	11		31-51-41	SM00075		W	N2	2		
794	20	PA	D04303J	10		31-51-32	GDX0004	S..	2	N2	1		
795	24	PK	D01433	9		31-51-42	D01433	48		N2	2		
796	24	PK	D01433	22		31-51-42	D01433	50		N2	2		
797	24	PV	D00815	41		31-51-21	SM00053		W	N2	1		
797Z			D00815	DED		31-51-21	SM00053	DED		N2	1		
798	24	PV	D04349J	9		31-51-21	SM00053		W	N2	1		
798Z			D04349J	DED		31-51-21	SM00053	DED		N2	1		
817	24	PK	D00823	55		27-32-12	D11553	6		N2	2		
818	24	PK	D00823	21		27-32-12	D11553	4		N2	2		
819	24	PK	D00823	51		27-32-12	D11553	3		N2	2		
820	24	PK	D00823	50		27-32-12	D11553	2		N2	2		
821	24	PK	D00823	49		27-32-12	D11553	7		N2	2		
822	24	PK	D00823	47		27-32-12	D11553	8		N2	2		
823	24	PK	D00823	46		27-32-12	D11553	9		N2	2		
824	24	PK	D00823	53		27-32-12	D11553	5		N2	2		
825	24	PK	D00823	62		27-32-12	D11553	24		N2	2		
826	24	PK	D01381	55		27-32-22	D11553	16		N2	2		
827	24	PK	D01381	21		27-32-22	D11553	14		N2	2		
828	24	PK	D01381	51		27-32-22	D11553	13		N2	2		
829	24	PK	D01381	50		27-32-22	D11553	12		N2	2		
830	24	PK	D01381	49		27-32-22	D11553	17		N2	2		
831	24	PK	D01381	47		27-32-22	D11553	18		N2	2		
832	24	PK	D01381	46		27-32-22	D11553	19		N2	2		

286T0045-OBV
Wire Bundle Assembly
Figure 150 (Sheet 18)

25-71-02

TESTING & TROUBLE SHOOTING
01

Page 2060
Nov 01/02

WIRE			FROM EQUIPMENT			TO EQUIPMENT			WIRE INFO				
NUMBER	GA	TYP	NUMBER	TERM	TT	WDM REF	NUMBER	TERM	TT	EMC/ SEP	FT	NOTE	EFFECTIVITY
833	24	PK	D01381	53		27-32-22	D11553	15		N2	2		
834	24	PK	D01381	62		27-32-22	D11553	34		N2	2		
835	24	PK	D04349J	50		27-32-21	D01381	64		N2	2		
836	20	PA	D04349J	53		27-32-21	GDX0002	S..	2	N2	2		
837	24	PK	D00823	42		27-32-12	SM00082		W	N2	2		
838	24	PK	D01381	42		27-32-22	SM00085		W	N2	1		
862	22	PA	D02261	30		31-41-35	GDX0006	S..	2	N2	1		
863	22	PA	D02261	32		31-41-35	GDX0006	S..	2	N2	1		
864	22	PA	D02261	33		31-41-35	GDX0006	S..	2	N2	1		
865	22	PA	D02261	64		31-41-35	GDX0006	S..	2	N2	1		
866	24	PV	D02261	27		31-51-11	SM00018		W	N2	1		
866Z			D02261	DED		31-51-11	SM00018	REF	W	N2	1		
867	24	PV	D02261	28		31-51-11	SM00047		W	N2	1		
867Z			D02261	DED		31-51-11	SM00047	REF	W	N2	1		
868	24	PV	D02261	29		31-51-12	SM00054		W	N2	1		
868Z			D02261	DED		31-51-12	SM00054	REF	W	N2	1		
869	24	PK	D02261	34		31-51-12	SM00025		W	N2	1		
870	22	PA	D02261	56		31-51-12	GDX0001	S..	2	N2	1		
871	22	PA	D02261	57		31-51-12	GDX0003	S..	2	N2	1		
872	22	PA	D02261	59		31-51-11	GDX0005	S..	2	N2	1		
873	24	PV	D02261	60		31-51-12	SM00055		W	N2	2		
873Z			D02261	DED		31-51-12	SM00055	REF	W	N2	2		
874	24	PV	D02261	62		31-51-11	SM00049		W	N2	1		
874Z			D02261	DED		31-51-11	SM00049	REF	W	N2	1		
875	24	PV	D02261	63		31-51-12	SM00056		W	N2	1		
875Z			D02261	DED		31-51-12	SM00056	REF	W	N2	1		
876	24	PK	D02261	65		31-51-11	SM00022		W	N2	1		
877	24	PV	D00811	14		31-51-11	SM00018		W	N2	1		
877Z			D00811	DED		31-51-11	SM00018	REF	W	N2	1		
878	24	PV	D00811	48		31-51-11	SM00047		W	N2	1		
878Z			D00811	DED		31-51-11	SM00047	REF	W	N2	2		

286T0045-OBV
Wire Bundle Assembly
Figure 150 (Sheet 19)

25-71-02



BOEING
COMPONENT
MAINTENANCE MANUAL

WIRE			FROM EQUIPMENT			TO EQUIPMENT			WIRE INFO				
NUMBER	GA	TYP	NUMBER	TERM	TT	WDM REF	NUMBER	TERM	TT	EMC/SEP	FT	NOTE	EFFECTIVITY
879	24	PV	D00811	23		31-51-11	SM00049		W	N2			
879Z			D00811	DED		31-51-11	SM00049	REF		N2	2		
880	24	PV	D00813	14		31-51-12	SM00054		W	N2			
880Z			D00813	DED		31-51-12	SM00054	REF		N2	2		
881	24	PV	D00813	48		31-51-12	SM00055		W	N2			
881Z			D00813	DED		31-51-12	SM00055	REF		N2	2		
882	24	PV	D00813	23		31-51-12	SM00056		W	N2			
882Z			D00813	DED		31-51-12	SM00056	REF		N2	2		
883	22	PA	D02261	15		38-32-11	D04349J	26		N2			
884	22	PA	D02261	47		38-32-11	D04347J	27		N2	2		
885	24	PK	D04303J	9		31-51-21	SM00057		W	N2			
886	24	PK	D04507J	3		31-51-21	SM00058		W	N2	2		
887	24	PK	D04507J	1		31-51-21	SM00058		W	N2	2		
888	24	PK	SM00057		W	31-51-21	D04349J	44		N2	1		

286T0045-OBV
Wire Bundle Assembly
Figure 150 (Sheet 20)

25-71-02

TESTING & TROUBLE SHOOTING
01 Page 206Q
Nov 01/02

WIRE			FROM EQUIPMENT				TO EQUIPMENT				WIRE INFO			
NUMBER	GA	TYP	NUMBER	TERM	TT	WDM REF	NUMBER	TERM	TT	EMC	FT	NOTE	EFFECTIVITY	
FRG			M01103			31-51-12	M01103	GND	D	N2				
FRB			D00813			31-51-12	D00813	59		N2				
FRC			M01102			31-51-11	M01102	GND	D	N2				
FRD			D00811			31-51-11	D00811	59		N2				
FRG			D04349J	58		31-41-35	D04349J			N2				
FRH			D04349J	61		28-41-11	D04349J			N2				
PA1			D00815	47		99-99-99	D00815	63		N2		DAW-B2		
PA2			D00817	8		99-99-99	D00817	57		N2		DAW-B2		
PA3			D00819	41		99-99-99	D00819	55		N2		DAW-B2		
PA4			D00821	43		99-99-99	D00821	60		N2		DAW-B2		
PA5			D00823	52		99-99-99	D00823	65		N2		DAW-B2		
PA6			D01433	44		99-99-99	D01433	61		N2		DAW-B2		
PA7			D01381	52		99-99-99	D01381	65		N2		DAW-B2		
PA8			D01487	8		99-99-99	D01487	57		N2		DAW-B2		
PA9			D01489	56		99-99-99	D01489	65		N2		DAW-B2		
PB4			D02261	54		99-99-99	D02261	61		N2		DAW-B2		
P01		SE	D11553							N2				
1	22	PA	D00811	60		31-51-11	GDX0001	S..	2	N2	3	UAE-F2		
2	22	PA	D00821	14		31-51-11	GDX0002	D..	2	N2	2			
3	24	PV	D00811	26		31-51-11	D00821	27		N2	3			
003Z			D00811	DED		31-51-11	D00821			N2				
4	24	PV	D00811	49		31-51-11	D00821	32		N2	3			
004Z			D00811	DED		31-51-11	D00821			N2				
5	24	PV	D00811	35		31-51-11	D00821	17		N2	3			
005Z			D00811	DED		31-51-11	D00821			N2				
6	24	PK	SM00022		W	31-51-11	D00821	51		N2	1			
7	24	PK	D00811	65		31-51-11	SM00022		W	N2	2			
8	24	PK	D00819	37		31-51-11	SM00022		W	N2	1			
9	24	PV	D00819	27		31-51-11	D00811	13		N2	3			
009Z			D00811	DED		31-51-11	D00819			N2				
10	22	PA	D00819	14		31-51-11	GDX0001	D..	2	N2	2			

286T0045-OBX
Wire Bundle Assembly
Figure 151 (Sheet 1)

25-71-02



BOEING
COMPONENT
MAINTENANCE MANUAL

WIRE			FROM EQUIPMENT			TO EQUIPMENT			WIRE INFO				
NUMBER	GA	TYP	NUMBER	TERM	TT	WDM REF	NUMBER	TERM	TT	EMC	FT	NOTE	EFFECTIVITY
11	24	PK	D01433	51		31-51-11	SM00022		W	N2	1		
12	24	PV	SM00018		W	31-51-11	D01433	27		N2	1		
012Z			SM00018	REF		31-51-11	D01433			N2			
13	24	PV	SM00047		W	31-51-11	D01433	32		N2	1		
013Z			SM00047	REF		31-51-11	D01433			N2			
14	24	PV	SM00049		W	31-51-11	D01433	17		N2	1		
014Z			SM00049	REF		31-51-11	D01433			N2			
15	22	PA	D01433	14		31-51-11	GDX0001	D..	2	N2	2		
16	20	PA	SM00028		W	31-51-11	GDX0005	D..	2	N2	2		
17	20	UA	GDX0002	S..	2	31-51-11	D00821			N2	2		
18	20	UA	GDX0005	S..	2	31-51-11	D00819			N2	2		
19	20	UA	D01433		2	31-51-11	GDX0002	S..	2	N2	2		
20	20	PA	GDX0005	D..	2	31-51-11	SM00029		W	N2	2		
21	20	UA	GDX0002	S..	2	31-51-11	D01503			N2	2		
23	20	UA	D00815			31-51-11	GDX0002	S..	2	N2	2		
24	24	PK	D04349J	38		31-51-11	SM00005		W	N2	1		
25	24	PK	D01503	A2		31-51-11	SM00005		W	N2	1		
26	20	PA	D01503	A3		31-51-11	GDX0003	D..	2	N2	2		
27	22	PQ	D01503	X2		31-51-11	D00811	75		N2	4		
027Z			D00811	DED		31-51-11	D01503			N2			
28	24	PV	D01503	X1		31-51-11	SM00015		W	N2	1		
028Z			SM00015	REF		31-51-11	D01503			N2			
29	24	PV	D00811	46		31-51-11	SM00015		W	N2	2		
029Z			SM00015	REF		31-51-11	D00811	DED		N2			
30	24	PK	SM00015		W	31-51-11	D11553	35		N2	1		
32	20	PA	D11553	11		31-51-11	GDX0003	D..	2	N2	2		
33	24	PK	D11553	37		31-51-11	D00811	34		N2	4		
34	24	PK	D11553	36		31-51-11	D00811	33		N2	4		
35	22	PA	D00815	14		31-51-11	GDX0001	D..	2	N2	2		
36	24	PV	D00815	27		31-51-11	D00811	12		N2	3		
036Z			D00811	DED		31-51-11	D00815			N2			

286T0045-OBX
Wire Bundle Assembly
Figure 151 (Sheet 2)

25-71-02

TESTING & TROUBLE SHOOTING

01

Page 206S

Nov 01/02

WIRE			FROM EQUIPMENT			TO EQUIPMENT			WIRE INFO				
NUMBER	GA	TYP	NUMBER	TERM	TT	WDM REF	NUMBER	TERM	TT	EMC	FT	NOTE	EFFECTIVITY
37	24	PV	D00815	32		31-51-11	D00811	17		N2	3		
037Z			D00811	DED		31-51-11	D00815			N2			
38	24	PV	D00815	17		31-51-11	D00811	22		N2	3		
038Z			D00811	DED		31-51-11	D00815			N2			
39	24	PK	D00815	54		31-51-11	SM00020		W	N2	1		
40	24	PK	D00811	63		31-51-11	SM00020		W	N2	2		
41	24	PK	D00823	35		31-51-11	SM00020		W	N2	1		
42	24	PK	D01381	35		31-51-11	SM00020		W	N2	1		
45	22	PA	D01381	14		31-51-11	GDX0001	D..	2	N2	2		
46	22	PA	D01381	48		31-51-11	GDX0003	D..	2	N2	2		
47	24	PV	D01381	27		31-51-11	D00811	11		N2	3		
047Z			D00811	DED		31-51-11	D01381			N2			
48	24	PV	D01381	32		31-51-11	D00811	16		N2	3		
048Z			D00811	DED		31-51-11	D01381			N2			
49	24	PV	D01381	17		31-51-11	D00811	21		N2	3		
049Z			D00811	DED		31-51-11	D01381			N2			
52	22	PA	D00823	14		31-51-11	GDX0001	D..	2	N2	2		
53	22	PA	D00823	48		31-51-11	GDX0003	D..	2	N2	2		
54	24	PV	D00823	27		31-51-11	D00811	10		N2	3		
054Z			D00811	DED		31-51-11	D00823			N2			
55	24	PV	D00823	32		31-51-11	D00811	15		N2	3		
055Z			D00811	DED		31-51-11	D00823			N2			
56	24	PV	D00823	17		31-51-11	D00811	20		N2	3		
056Z			D00811	DED		31-51-11	D00823			N2			
57	22	PA	D00817	14		31-51-11	GDX0002	D..	2	N2	2		
58	24	PV	D00817	27		31-51-11	D00811	51		N2	3		
058Z			D00811	DED		31-51-11	D00817			N2			
59	24	PV	D00817	32		31-51-11	D00811	74		N2	3		
059Z			D00811	DED		31-51-11	D00817			N2			
60	24	PK	D00817	45		31-51-11	SM00021		W	N2	1		
61	24	PK	D00811	64		31-51-11	SM00021		W	N2	2		

286T0045-OBX
Wire Bundle Assembly
Figure 151 (Sheet 3)

25-71-02



BOEING
COMPONENT
MAINTENANCE MANUAL

WIRE			FROM EQUIPMENT			TO EQUIPMENT			WIRE INFO				
NUMBER	GA	TYP	NUMBER	TERM	TT	WDM REF	NUMBER	TERM	TT	EMC	FT	NOTE	EFFECTIVITY
62	24	PK	D01489	16		31-51-11	SM00021		W	N2	1		
63	24	PK	D01487	45		31-51-11	SM00021		W	N2	1		
64	24	PV	D01487	27		31-51-11	D00811	47		N2	3		
064Z			D00811	DED		31-51-11	D01487			N2			
65	24	PV	D01487	32		31-51-11	D00811	70		N2	3		
065Z			D00811	DED		31-51-11	D01487			N2			
66	22	PA	D01487	14		31-51-11	GDX0003	D..	2	N2	2		
67	24	PV	D01489	27		31-51-11	D00811	45		N2	3		
067Z			D00811	DED		31-51-11	D01489			N2			
68	24	PV	D01489	32		31-51-11	D00811	50		N2	3		
068Z			D00811	DED		31-51-11	D01489			N2			
69	24	PV	D01489	17		31-51-11	D00811	36		N2	3		
069Z			D00811	DED		31-51-11	D01489			N2			
70	22	PA	D01489	14		31-51-11	GDX0003	D..	2	N2	2		
71	20	UA	D01381			31-51-11	GDX0002	S..	2	N2	2		
72	20	UA	D00823			31-51-11	GDX0002	S..	2	N2	2		
73	20	UA	D00817			31-51-11	GDX0002	S..	2	N2	2		
74	20	PA	SM00026		W	31-51-11	GDX0005	D..	2	N2	2		
75	20	UA	D01487			31-51-11	GDX0005	S..	2	N2	2		
76	20	UA	GDX0005	S..	2	31-51-11	D01489			N2	2		
77	24	PK	D02261	40		31-41-35	D04349J	1		N2	2		
78	20	PA	SM00027		W	31-51-11	GDX0005	D..	2	N2	2		
79	22	PA	D00813	60		31-51-12	GDX0003	S..	2	N2	3	UAE-F2	
80	22	PA	D00821	15		31-51-12	GDX0002	D..	2	N2	2		
81	24	PV	D00821	30		31-51-12	D00813	26		N2	3		
081Z			D00813	DED		31-51-12	D00821			N2			
82	24	PV	D00821	33		31-51-12	D00813	49		N2	3		
082Z			D00813	DED		31-51-12	D00821			N2			
83	24	PV	D00821	24		31-51-12	D00813	35		N2	3		
083Z			D00813	DED		31-51-12	D00821			N2			
84	24	PK	D00821	19		31-51-12	SM00025		W	N2	1		

286T0045-OBX
Wire Bundle Assembly
Figure 151 (Sheet 4)

25-71-02

WIRE			FROM EQUIPMENT			TO EQUIPMENT			WIRE INFO				
NUMBER	GA	TYP	NUMBER	TERM	TT	WDM REF	NUMBER	TERM	TT	EMC	FT	NOTE	EFFECTIVITY
85	24	PK	D00813	65		31-51-12	SM00025		W	N2	2		
86	24	PK	D00819	3		31-51-12	SM00025		W	N2	1		
87	24	PK	D01433	18		31-51-12	SM00025		W	N2	1		
88	22	PA	D01433	15		31-51-12	GDX0002	D..	2	N2	2		
89	24	PV	D01433	30		31-51-12	SM00054		W	N2	1		
089Z			SM00054	REF		31-51-12	D01433		W	N2	1		
90	24	PV	D01433	33		31-51-12	SM00055		W	N2	1		
090Z			SM00055	REF		31-51-12	D01433		W	N2	1		
91	24	PV	D01433	24		31-51-12	SM00056		W	N2	1		
091Z			SM00056	REF		31-51-12	D01433		2	N2	2		
92	22	PA	D00819	15		31-51-12	GDX0002	D..	2	N2	2		
93	24	PV	D00819	30		31-51-12	D00813	13		N2	3		
093Z			D00813	DED		31-51-12	D00819		2	N2	2		
94	20	PA	SM00032		W	31-51-12	GDX0005	D..	2	N2	3		
95	24	PV	D01505	X2		31-51-12	D00813	75		N2	3		
095Z			D00813	DED		31-51-12	D01505		W	N2	1		
96	24	PV	D01505	X1		31-51-12	SM00016		W	N2	2		
096Z			SM00016	REF		31-51-12	D01505		W	N2	2		
97	24	PV	D00813	46		31-51-12	SM00016			N2	2		
097Z			SM00016	REF		31-51-12	D00813	DED		N2	2		
98	20	PA	SM00033		W	31-51-12	GDX0005	D..	2	N2	1		
99	24	PK	SM00016		W	31-51-12	D11553	25		N2	2		
10A	24	PK	D01489	21		31-51-33	D04349J	23		N2	2		
100	20	PA	D11553	1		31-51-12	GDX0003	D..	2	N2	2		
101	20	UA	D00821			31-51-12	GDX0004	S..	2	N2	2		
102	20	UA	D00819			31-51-12	GDX0004	S..	2	N2	2		
103	20	UA	D01433			31-51-12	GDX0004	S..	2	N2	2		
104	20	UA	D01505			31-51-12	GDX0005	S..	2	N2	2		
106	20	UA	D00815			31-51-12	GDX0004	S..	2	N2	2		
107	20	UA	D01381			31-51-12	GDX0004	S..	2	N2	2		
109	20	UA	D00817			31-51-12	GDX0004	S..	2	N2	2		

286T0045-OBX
Wire Bundle Assembly
Figure 151 (Sheet 5)

25-71-02



BOEING
COMPONENT
MAINTENANCE MANUAL

WIRE		FROM EQUIPMENT			TO EQUIPMENT			WIRE INFO					
NUMBER	GA	TYP	NUMBER	TERM	TT	WDM REF	NUMBER	TERM	TT	EMC	FT	NOTE	EFFECTIVITY
110	20	UA	D01487			31-51-12	GDX0001	S..	2	N2	2		
111	20	UA	D01489			31-51-12	GDX0001	S..	2	N2	2		
112	22	PA	D00815	15		31-51-12	GDX0001	D..	2	N2	2		
113	24	PK	D01505	A2		31-51-12	SM00005		W	N2	1		
114	20	PA	D01505	A3		31-51-12	GDX0003	D..	2	N2	2		
115	24	PK	D02261	21		21-61-51	D04347J	25		N2	2		
116	24	PK	D00815	21		31-51-12	SM00023		W	N2	1		
117	24	PK	D00813	63		31-51-12	SM00023		W	N2	2		
118	24	PK	D00823	1		31-51-12	SM00023		W	N2	1		
119	24	PK	D01381	1		31-51-12	SM00023		W	N2	1		
120	22	PA	D01381	15		31-51-12	GDX0001	D..	2	N2	2		
121	24	PK	D00817	56		31-51-12	SM00024		W	N2	1		
122	24	PK	D00813	64		31-51-12	SM00024		W	N2	2		
123	24	PK	D01487	56		31-51-12	SM00024		W	N2	1		
124	22	PA	D00823	15		31-51-12	GDX0001	D..	2	N2	2		
125	20	UA	D00823			31-51-12	GDX0004	S..	2	N2	2		
126	24	PV	D00823	33		31-51-12	D00813		15	N2	3		
126Z			D00823			31-51-12	D00813	DED		N2			
127	24	PV	D00823	24		31-51-12	D00813	20		N2	3		
127Z			D00823			31-51-12	D00813	DED		N2			
128	22	PA	D00817	15		31-51-12	GDX0002	D..	2	N2	2		
129	24	PV	D00817	30		31-51-12	D00813	51		N2	3		
129Z			D00817			31-51-12	D00813	DED		N2			
130	24	PV	D00817	33		31-51-12	D00813	74		N2	3		
130Z			D00817			31-51-12	D00813	DED		N2			
131	24	PV	D00813	11		31-51-12	D01381	30		N2	3		
131Z			D01381			31-51-12	D00813	DED		N2			
132	24	PV	D00813	16		31-51-12	D01381	33		N2	3		
132Z			D01381			31-51-12	D00813	DED		N2			
133	24	PV	D01381	24		31-51-12	D00813	21		N2	3		
133Z			D01381			31-51-12	D00813	DED		N2			

286T0045-OBX
Wire Bundle Assembly
Figure 151 (Sheet 6)

25-71-02

WIRE			FROM EQUIPMENT			TO EQUIPMENT			WIRE INFO				
NUMBER	GA	TYP	NUMBER	TERM	TT	WDM REF	NUMBER	TERM	TT	EMC	FT	NOTE	EFFECTIVITY
134	24	PK	D01489	50		31-51-12	SM00024		W	N2	1		
135	24	PV	D01487	30		31-51-12	D00813	47		N2	3		
135Z	24	PV	D01487	33		31-51-12	D00813	DED		N2	3		
136	24	PV	D01487	33		31-51-12	D00813	70		N2	3		
136Z	24	PV	D01487	33		31-51-12	D00813	DED		N2	3		
137	22	PA	D01487	15		31-51-12	GDX0003	D..	2	N2	2		
138	24	PV	D01489	30		31-51-12	D00813	45		N2	3		
138Z	24	PV	D01489	33		31-51-12	D00813	DED		N2	3		
139	24	PV	D01489	33		31-51-12	D00813	50		N2	3		
139Z	24	PV	D01489	33		31-51-12	D00813	DED		N2	3		
140	24	PV	D01489	24		31-51-12	D00813	36		N2	3		
140Z	24	PV	D01489	24		31-51-12	D00813	DED		N2	3		
141	22	PA	D01489	15		31-51-12	GDX0003	D..	2	N2	2		
142	24	PK	D00813	33		31-51-12	D11553	26		N2	3		
143	24	PK	D11553	27		31-51-12	D00813	34		N2	3		
144	24	PV	D00813	12		31-51-12	D00815	30		N2	3		
144Z	24	PV	D00813	DED		31-51-12	D00815	DED		N2	3		
145	20	PA	SM00030		W	31-51-12	GDX0005	D..	2	N2			
146	24	PV	D00813	17		31-51-12	D00815	33		N2	3		
146Z	24	PV	D00813	DED		31-51-12	D00815	DED		N2	3		
147	24	PV	D00813	22		31-51-12	D00815	24		N2	3		
147Z	24	PV	D00813	DED		31-51-12	D00815	DED		N2	3		
148	24	PV	D00813	10		31-51-12	D00823	30		N2	3		
148Z	24	PV	D00813	DED		31-51-12	D00823	DED		N2	3		
149	20	PA	SM00031		W	31-51-12	GDX0005	D..	2	N2			
150	22	PA	D04301J	6		27-32-11	D00823	34		N2	2		
151	24	PK	D04509J	1		27-32-11	D00823	39		N2	2		
152	24	PK	D04347J	26		27-32-11	D00823	40		N2	2		
153	24	PK	D00823	31		27-32-11	D04509J	6		N2	2		
154	20	PA	D04509J	7		27-32-11	GDX0001	D..	2	N2	2		
155	24	PK	SM00037		W	27-32-11	D04511J	3		N2	1		

286T0045-OBX
Wire Bundle Assembly
Figure 151 (Sheet 7)

25-71-02



BOEING
COMPONENT
MAINTENANCE MANUAL

WIRE			FROM EQUIPMENT			TO EQUIPMENT			WIRE INFO				
NUMBER	GA	TYP	NUMBER	TERM	TT	WDM REF	NUMBER	TERM	TT	EMC	FT	NOTE	EFFECTIVITY
156	24	PK	D00823	38		27-32-11	D04511J	2		N2	2		
157	24	PK	D04511J	4		27-32-11	SM00050		W	N2	1		
158	24	PK	SM00037		W	27-32-11	D00823	4		N2	1		
159	24	PK	D04349J	14		27-32-11	D00823	36		N2	1		
160	24	PK	D04349J	15		27-32-11	D00823	3		N2	1		
161	24	PK	D04349J	16		27-32-11	D00823	43		N2	1		
162	24	PK	D04349J	10		27-32-11	D00823	2		N2	1		
165	22	PA	D04349J	11		27-32-21	D01381	34		N2	2		
166	24	PK	D01381	40		27-32-21	D04349J	6		N2	2		
167	24	PK	D01381	31		27-32-21	D04511J	7		N2	2		
168	20	PA	GDX0002	D..	2	27-32-21	D04511J	8		N2	2		
169	24	PK	D04349J	34		27-32-21	D01381	36		N2	2		
170	24	PK	D04349J	35		27-32-21	D01381	3		N2	2		
171	24	PK	D04349J	36		27-32-21	D01381	43		N2	2		
172	24	PK	D04349J	37		27-32-21	D01381	2		N2	2		
173	24	PK	D04511J	13		27-32-21	D01381	4		N2	2		
174	24	PK	D04511J	16		27-32-21	D01381	37		N2	2		
175	24	PK	D04511J	15		27-32-21	D01381	38		N2	2		
176	24	PK	D04509J	8		27-32-21	D01381	39		N2	2		
177	24	PK	D00815	34		31-51-21	SM00057		W	N2	1		
178	24	PK	D00815	43		31-51-21	D01433	19		N2	2		
179	24	PK	D00815	10		31-51-21	D00819	5		N2	2		
180	24	PK	D04507J	5		31-51-21	SM00034		W	N2	1		
181	24	PK	SM00058		W	31-51-21	D00815	66		N2	1		
182	24	PK	D00815	4		31-51-21	SM00034		W	N2	1		
183	24	PK	D00815	11		31-51-21	D04349J	39		N2	2		
184	22	PA	D00815	37		31-51-21	SM00035		W	N2	1		
185	22	PA	D00815	42		31-51-21	SM00036		W	N2	1		
186	24	PK	D04349J	5		31-51-21	SM00012		W	N2	1		
187	24	PK	D00815	2		31-51-21	SM00012		W	N2	1		
188	24	PK	SM00011		W	31-51-21	D04349J	4		N2	1		

286T0045-OBX
Wire Bundle Assembly
Figure 151 (Sheet 8)

25-71-02

WIRE			FROM EQUIPMENT			TO EQUIPMENT			WIRE INFO				
NUMBER	GA	TYP	NUMBER	TERM	TT	WDM REF	NUMBER	TERM	TT	EMC	FT	NOTE	EFFECTIVITY
189	24	PK	SM00011		W	31-51-21	D00815	35		N2	1		
190	24	PK	D04349J	12		31-51-21	SM00009		W	N2	1		
191	24	PK	D00815	44		31-51-21	SM00009		W	N2	1		
192	24	PK	D04347J	10		31-51-21	SM00008		W	N2	1		
193	24	PK	D00815	1		31-51-21	SM00008		W	N2	1		
194	24	PK	D04347J	11		31-51-21	SM00010		W	N2	1		
195	24	PK	D00815	36		31-51-21	SM00010		W	N2	1		
196	24	PK	SM00039		W	31-51-21	D04347J	21		N2	1		
197	24	PK	D00815	45		31-51-21	SM00039		W	N2	1		
198	24	PK	D00815	46		31-51-21	D04347J	6		N2	2		
199	20	PA	GDX0004	S..	2	31-51-31	D04597J	14		N2	2		
201B	24	PW	D01489	43		31-51-33	SM00004		W	N2	1		
201R	24	PW	D01489	9		31-51-33	SM00003		W	N2			
201Z			D01489	DED		31-51-33	SM00003	REF		N2			
204	20	UA	D04507J			27-32-11	GDX0004	S..	2	N2	2		
204B	24	PW	D00823	18		27-32-11	D04507J	12		N2	1		
204R	24	PW	D00823	16		27-32-11	D04507J	11		N2			
204Z			D04507J			27-32-11	D00823	DED		N2			
205B	24	PW	D00815	19		31-51-21	SM00007		W	N2	1		
205R	24	PW	D00815	52		31-51-21	SM00006		W	N2			
205Z			D00815	DED		31-51-21	SM00006			N2			
207	20	UA	D04597J			31-51-21	GDX0004	S..	2	N2	2		
207B	24	PW	SM00007		W	31-51-21	D04597J	4		N2	1		
207R	24	PW	SM00006		W	31-51-21	D04597J	3		N2			
207Z			SM00006			31-51-21	D04597J			N2			
208	20	UA	D04301J			34-16-11	GDX0002	S..	2	N2	2		
208B	24	PW	D00821	36		34-16-11	D04301J	9		N2	2		
208R	24	PW	D00821	2		34-16-11	D04301J	8		N2			
208Z			D00821	DED		34-16-11	D04301J			N2			
209B	24	PW	D01489	46		31-51-33	SM00007		W	N2	1		
209R	24	PW	D01489	12		31-51-33	SM00006		W	N2			

286T0045-OBX
Wire Bundle Assembly
Figure 151 (Sheet 9)

25-71-02



BOEING
COMPONENT
MAINTENANCE MANUAL

WIRE		FROM EQUIPMENT			TO EQUIPMENT			WIRE INFO					
NUMBER	GA	TYP	NUMBER	TERM	TT	WDM REF	NUMBER	TERM	TT	EMC	FT	NOTE	EFFECTIVITY
209Z			D01489	DED		31-51-33	SM00006			N2			
212B	24	PW	D01433	36		31-51-42	SM00007		W	N2	1		
212R	24	PW	D01433	2		31-51-42	SM00006		W	N2			
212Z			D01433	DED		31-51-42	SM00006			N2			
213	20	UA	D04507J			34-16-11	GDX0004	S..	2	N2	2		
213B	24	PW	D00821	35		34-16-11	D04507J	8		N2	2		
213R	24	PW	D00821	1		34-16-11	D04507J	9		N2			
213Z			D00821	DED		34-16-11	D04507J			N2			
214	20	UA	D04349J			34-16-11	GDX0004	S..	2	N2	2		
214B	24	PW	D00821	37		34-16-11	D04349J	19		N2	2		
214R	24	PW	D00821	3		34-16-11	D04349J	18		N2			
214Z			D00821	DED		34-16-11	D04349J			N2			
215B	24	PL	D01487	24		31-51-31	D04597J	12		N2	2		
215R	24	PL	D01487	23		31-51-31	D04597J	13		N2			
216B	24	PL	D00817	24		31-51-32	D04303J	12		N2	2		
216R	24	PL	D00817	23		31-51-32	D04303J	11		N2			
221B	24	PW	D01489	45		31-51-33	SM00004		W	N2	1		
221R	24	PW	D01489	11		31-51-33	SM00003		W	N2			
221Z			D01489	DED		31-51-33	SM00003	REF		N2			
223B	24	PW	D00821	38		34-16-11	SM00004		W	N2	1		
223R	24	PW	D00821	4		34-16-11	SM00003		W	N2			
223Z			D00821	DED		34-16-11	SM00003	REF		N2			
224	20	UA	D04349J			27-32-21	GDX0004	S..	2	N2	2		
224B	24	PW	D04349J	28		27-32-21	D01381	18		N2	2		
224R	24	PW	D04349J	27		27-32-21	D01381	16		N2			
224Z			D04349J	DED		27-32-21	D01381	DED		N2			
225B	22	PR	D00811	69		31-51-11	SM00060		W	N2	2		
225R	22	PR	D00811	68		31-51-11	SM00060		W	N2			
225Z			D00811	DED		31-51-11	SM00028	REF		N2			
226B	22	PR	D00813	69		31-51-12	SM00061		W	N2	2		
226R	22	PR	D00813	68		31-51-12	SM00061		W	N2			

286T0045-OBX
Wire Bundle Assembly
Figure 151 (Sheet 10)

25-71-02

WIRE			FROM EQUIPMENT			TO EQUIPMENT			WIRE INFO				
NUMBER	GA	TYP	NUMBER	TERM	TT	WDM REF	NUMBER	TERM	TT	EMC	FT	NOTE	EFFECTIVITY
226Z			D00813	DED		31-51-12	SM00030	REF		N2			
230	20	UA	D04347J			31-51-33	GDX0003	S..	2	N2	2		
230B	24	PW	D04347J	18		31-51-33	SM00004		W	N2	1		
230R	24	PW	D04347J	17		31-51-33	SM00003		W	N2			
230Z			D04347J			31-51-33	SM00003	REF		N2			
236	20	UA	D04347J			27-32-11	GDX0001	S..	2	N2	2		
236B	24	PW	D04347J	37		27-32-11	D00823	54		N2	2		
236R	24	PW	D04347J	36		27-32-11	D00823	23		N2			
236Z			D04347J			27-32-11	D00823	DED		N2			
237B	24	PW	D04347J	40		27-32-11	D00823	13		N2	2		
237R	24	PW	D04347J	39		27-32-11	D00823	12		N2			
237Z			D04347J			27-32-11	D00823	DED		N2			
238	20	UA	D04349J			27-32-21	GDX0001	S..	2	N2	2		
238B	24	PW	D04349J	49		27-32-21	D01381	54		N2	2		
238R	24	PW	D04349J	48		27-32-21	D01381	23		N2			
238Z			D04349J			27-32-21	D01381	DED		N2			
239B	24	PW	D01381	20		27-32-21	D04349J	55		N2	2		
239R	24	PW	D01381	19		27-32-21	D04349J	54		N2			
239Z			D01381	DED		27-32-21	D04349J			N2			
240B	24	PL	D04347J	23		31-51-31	SM00080		W	N2	1		
240R	24	PL	D04347J	22		31-51-31	SM00042		W	N2	1		
241B	24	PL	D01487	60		31-51-31	SM00080		W	N2	1		
241R	24	PL	D01487	28		31-51-31	SM00042		W	N2			
242B	24	PL	D00817	60		31-51-32	SM00080		W	N2	1		
242R	24	PL	D00817	28		31-51-32	SM00042		W	N2			
243B	24	PW	D04349J	52		27-32-21	D01381	13		N2	2		
243R	24	PW	D04349J	51		27-32-21	D01381	12		N2			
243Z			D04349J			27-32-21	D01381	DED		N2			
245B	24	PW	D00823	20		27-32-11	D04347J	48		N2	2		
245R	24	PW	D00823	19		27-32-11	D04347J	47		N2			
245Z			D00823	DED		27-32-11	D04347J			N2			

286T0045-OBX
Wire Bundle Assembly
Figure 151 (Sheet 11)

25-71-02



BOEING
COMPONENT
MAINTENANCE MANUAL

WIRE			FROM EQUIPMENT			TO EQUIPMENT			WIRE INFO				
NUMBER	GA	TYP	NUMBER	TERM	TT	WDM REF	NUMBER	TERM	TT	EMC	FT	NOTE	EFFECTIVITY
247	20	UA	D04349J			31-41-35	GDX0006	S..	2	N2	2		
247B	24	PW	D02261	42		31-41-35	D04349J	57		N2	2		
247R	24	PW	D02261	43		31-41-35	D04349J	56		N2			
247Z			D02261	DED		31-41-35	D04349J			N2			
248	20	UA	D04349J			28-41-11	GDX0006	S..	2	N2	2		
248B	24	PW	D02261	5		28-41-11	D04349J	60		N2	2		
248R	24	PW	D02261	8		28-41-11	D04349J	59		N2			
248Z			D02261	DED		28-41-11	D04349J			N2			
271B	24	PL	D04597J	5		31-51-31	SM00088		W	N2	1		
271R	24	PL	D04597J	2		31-51-31	SM00087		W	N2	1		
272B	24	PL	D01487	63		31-51-31	SM00088		W	N2			
272R	24	PL	D01487	62		31-51-31	SM00087		W	N2			
273B	24	PL	D00817	63		31-51-32	SM00088		W	N2	1		
273R	24	PL	D00817	62		31-51-32	SM00087		W	N2			
290B	24	PW	D04597J	8		34-43-15	SM00104		W	N2	1		
290R	24	PW	D04597J	7		34-43-15	SM00103		W	N2			
290Z			D04597J	9		34-43-15	SM00103	REF		N2			
291B	24	PW	D04303J	4		34-43-15	SM00104		W	N2	1		
291R	24	PW	D04303J	3		34-43-15	SM00103		W	N2			
291Z			D04303J	5		34-43-15	SM00103	REF		N2			
292B	24	PW	D04347J	53		34-43-15	SM00104		W	N2	1		
292R	24	PW	D04347J	51		34-43-15	SM00103		W	N2			
292Z			D04347J	61		34-43-15	SM00103	REF		N2			
301	20	UA	SM00028	REF		31-51-11	GDX0005	S..	2	N2	1		
301B	22	PS	D00811	57		31-51-11	SM00028		W	N2	2		
301R	22	PS	D00811	38		31-51-11	SM00028		W	N2			
301Y	22	PS	D00811	58		31-51-11	SM00028		W	N2			
301Z			D00811	DED		31-51-11	SM00028	REF		N2			
302B	22	PS	D00811	42		31-51-11	SM00029		W	N2	2		
302R	22	PS	D00811	41		31-51-11	SM00029		W	N2			
302Y	22	PS	D00811	43		31-51-11	SM00029		W	N2			

286T0045-OBX
Wire Bundle Assembly
Figure 151 (Sheet 12)

25-71-02

TESTING & TROUBLE SHOOTING

01

Page 208A

Nov 01/02

WIRE			FROM EQUIPMENT			TO EQUIPMENT			WIRE INFO				
NUMBER	GA	TYP	NUMBER	TERM	TT	WDM REF	NUMBER	TERM	TT	EMC	FT	NOTE	EFFECTIVITY
302Z			D00811	DED		31-51-11	SM00028	REF		N2			
303B	22	PS	D00811	8		31-51-11	SM00026		W	N2	2		
303R	22	PS	D00811	7		31-51-11	SM00026		W	N2			
303Y	22	PS	D00811	9		31-51-11	SM00026		W	N2			
303Z			D00811	DED		31-51-11	SM00028	REF		N2			
304B	22	PS	D00811	25		31-51-11	SM00027		W	N2	2		
304R	22	PS	D00811	24		31-51-11	SM00027		W	N2			
304Y	22	PS	D00811	37		31-51-11	SM00027		W	N2			
304Z			D00811	DED		31-51-11	SM00028	REF		N2			
305	20	UA	SM00030	REF		31-51-12	GDX0005	S..	2	N2	1		
305B	22	PS	D00813	8		31-51-12	SM00030		W	N2	2		
305R	22	PS	D00813	7		31-51-12	SM00030		W	N2			
305Y	22	PS	D00813	9		31-51-12	SM00030		W	N2			
305Z			D00813	DED		31-51-12	SM00030	REF		N2			
306B	22	PS	D00813	25		31-51-12	SM00031		W	N2	2		
306R	22	PS	D00813	24		31-51-12	SM00031		W	N2			
306Y	22	PS	D00813	37		31-51-12	SM00031		W	N2			
306Z			D00813	DED		31-51-12	SM00030	REF		N2			
307B	22	PS	D00813	57		31-51-12	SM00032		W	N2	2		
307R	22	PS	D00813	38		31-51-12	SM00032		W	N2			
307Y	22	PS	D00813	58		31-51-12	SM00032		W	N2			
307Z			D00813	DED		31-51-12	SM00030	REF		N2			
308B	22	PS	D00813	42		31-51-12	SM00033		W	N2	2		
308R	22	PS	D00813	41		31-51-12	SM00033		W	N2			
308Y	22	PS	D00813	43		31-51-12	SM00033		W	N2			
308Z			D00813	DED		31-51-12	SM00030	REF		N2			
512	24	PK	D02261	20		27-81-31	D04349J	8		N2	2		
601	20	PA	SM00060		W	31-51-11	GDX0004	D..	2	N2			
602	20	PA	SM00061		W	31-51-12	GDX0005	D..	2	N2			
603	24	PV	D04301J	5		31-51-12	M01103	INE	D	N2	1		
603Z			D04301J	DED		31-51-12	M01103			N2			

286T0045-OBX
Wire Bundle Assembly
Figure 151 (Sheet 13)

25-71-02



BOEING
COMPONENT
MAINTENANCE MANUAL

WIRE		FROM EQUIPMENT			TO EQUIPMENT			WIRE INFO					
NUMBER	GA	TYP	NUMBER	TERM	TT	WDM REF	NUMBER	TERM	TT	EMC	FT	NOTE	EFFECTIVITY
604	24	PV	D04301J	4		31-51-12	D00813	4		N2	3		
604Z			D04301J	DED		31-51-12	D00813			N2			
605	24	PV	D00813	1		31-51-12	M01103	OAD	D	N2	3		
605Z			D00813			31-51-12	M01103	DED		N2			
606	24	PV	D04349J	32		31-51-11	M01102	INE	D	N2	1		
606Z			D04349J	DED		31-51-11	M01102			N2			
607	24	PV	D04349J	33		31-51-11	D00811	4		N2	3		
607Z			D04349J	DED		31-51-11	D00811			N2			
608	24	PV	D00811	1		31-51-11	M01102	OAD	D	N2	3		
608Z			D00811			31-51-11	M01102	DED		N2			
610	24	PK	D00823	37		27-32-11	SM00050		W	N2	1		
611	24	PK	D01433	6		31-51-42	D04347J	20		N2	2		
612	24	PK	D01433	4		31-51-42	SM00050		W	N2	1		
613	24	PK	D04349J	30		31-51-31	SM00065		W	N2	1		
614	24	PK	D01487	52		31-51-31	SM00065		W	N2	1		
615	24	PK	D00817	52		31-51-32	SM00065		W	N2	1		
617	24	PK	D01381	11		27-32-12	D00823	56		N2	1		
618	24	PK	D01381	56		27-32-12	D00823	11		N2	1		
619	24	PK	D00823	45		27-32-12	SM00082		W	N2	1		
620	24	PK	D04349J	29		31-51-21	SM00071		W	N2	1		
621	24	PK	D00815	7		31-51-21	SM00071		W	N2	1		
622	24	PK	D01489	2		31-51-33	SM00071		W	N2	1		
623	24	PK	D01489	36		31-51-33	SM00038		W	N2	1		
624	24	PK	D00815	8		31-51-21	SM00045		W	N2	1		
625	24	PK	D01487	9		31-51-31	SM00034		W	N2	1		
631	24	PK	D00817	9		31-51-32	SM00034		W	N2	1		
644	22	PQ	D00823	66		27-32-31	D04347J	42		N2	2		
644Z			D00823	DED		27-32-31	D04347J	DED		N2			
646	22	PQ	D01381	66		27-32-31	D04349J	42		N2	2		
646Z			D01381	DED		27-32-31	D04349J	DED		N2			
648	24	PK	D04347J	32		34-16-11	D00821	40		N2	2		

286T0045-OBX
Wire Bundle Assembly
Figure 151 (Sheet 14)

25-71-02

TESTING & TROUBLE SHOOTING
01

Page 208C
Nov 01/02

WIRE			FROM EQUIPMENT			TO EQUIPMENT			WIRE INFO				
NUMBER	GA	TYP	NUMBER	TERM	TT	WDM REF	NUMBER	TERM	TT	EMC	FT	NOTE	EFFECTIVITY
649	24	PK	D04347J	33		34-16-11	SM00038		W	N2	1		
681	24	PK	D01433	10		31-51-43	D04507J	10		N2	2		
682	24	PK	D01433	13		31-51-43	D04347J	46		N2	2		
683	22	PA	D01433	41		31-51-43	SM00081		W	N2	1		
684	20	PA	GDX0001	D..	2	31-51-43	D04349J	47		N2	2		
685	24	PK	D00823	58		27-32-12	D01505	A1		N2	2		
686	24	PK	D00823	8		27-32-11	SM00038		W	N2	1		
687	24	PK	D00823	64		27-32-11	SM00081		W	N2	1		
688	24	PK	D01381	58		27-32-22	D01503	A1		N2	2		
689	24	PK	D01381	45		27-32-22	SM00085		W	N2	1		
692	24	PK	D01381	8		27-32-21	SM00038		W	N2	1		
693	24	PK	D04347J	30		31-51-21	D00815	6		N2	2		
694	22	PA	D04349J	46		31-51-43	SM00081		W	N2	1		
696	20	PA	GDX0003	D..	2	27-32-12	SM00082		W	N2	1		
697	20	PA	GDX0003	D..	2	27-32-22	SM00085		W	N2	1		
701	24	PK	D00815	49		31-51-21	D00815	22		N2			
702	24	PK	D00815	16		31-51-21	D00815	48		N2			
703	24	PK	D00819	6		31-51-41	SM00019		W	N2	1		
704	24	PK	SM00075		W	31-51-41	D04511J	14		N2	1		
705	24	PK	D00819	45		31-51-41	D04511J	12		N2	2		
706	24	PK	D00819	10		31-51-41	D04349J	31		N2	2		
707	24	PK	D00819	21		31-51-41	D04509J	4		N2	2		
708	24	PK	D00819	9		31-51-41	D04349J	7		N2	2		
709	24	PK	D00819	39		31-51-41	SM00044		W	N2	1		
710	24	PK	D00819	43		31-51-41	SM00037		W	N2	1		
711	24	PK	D00819	12		31-51-41	D04349J	21		N2	2		
712	24	PK	D00819	53		31-51-41	D04349J	3		N2	2		
713	24	PK	D00819	20		31-51-41	D04347J	9		N2	2		
714	24	PK	D00819	44		31-51-41	D04349J	24		N2	2		
715	24	PK	D04507J	6		31-51-42	SM00019		W	N2	1		
716	24	PK	D01433	34		31-51-42	SM00019		W	N2	1		

286T0045-OBX
Wire Bundle Assembly
Figure 151 (Sheet 15)

25-71-02



BOEING
COMPONENT
MAINTENANCE MANUAL

WIRE			FROM EQUIPMENT			TO EQUIPMENT			WIRE INFO				
NUMBER	GA	TYP	NUMBER	TERM	TT	WDM REF	NUMBER	TERM	TT	EMC	FT	NOTE	EFFECTIVITY
717	24	PK	D01433	37		31-51-42	SM00034		W	N2	1		
718	24	PK	D01433	39		31-51-42	D04509J	2		N2	2		
720	24	PK	D01433	52		31-51-42	SM00040		W	N2	1		
721	24	PK	D01433	38		31-51-42	D04347J	24		N2	2		
722	24	PK	D01433	5		31-51-42	D04349J	22		N2	2		
723	24	PK	D04511J	11		31-51-42	SM00038		W	N2	1		
724	24	PK	D01433	40		31-51-42	SM00038		W	N2	1		
725	24	PK	D01433	3		31-51-42	D04347J	13		N2	2		
726	22	PA	D04347J	14		31-51-21	SM00036		W	N2	1		
727	22	PA	D04301J	11		31-51-21	SM00035		W	N2	1		
728	24	PK	D04347J	1		31-51-41	D00819	35		N2	2		
729	24	PK	D04347J	2		31-51-41	D00819	1		N2	2		
730	24	PK	D04347J	3		31-51-41	D00819	36		N2	2		
731	24	PK	D04347J	4		31-51-41	D00819	2		N2	2		
732	24	PK	D04347J	5		31-51-42	D01433	20		N2	2		
733	24	PK	D04347J	16		34-16-11	D00821	65		N2	2		
734	24	PK	D04347J	8		31-51-31	SM00046		W	N2	1		
735	24	PK	D04507J	7		34-16-11	D00821	34		N2	2		
736	24	PK	D04507J	2		34-16-11	D00821	66		N2	2		
737	24	PK	SM00041		W	34-16-11	D00821	31		N2	1		
738	24	PK	D04347J	19		34-16-11	D00821	7		N2	2		
739	24	PK	SM00075		W	34-16-11	D00821	6		N2	1		
741	24	PK	D00821	18		34-16-11	D00821	22		N2	2		
742	24	PK	D00821	50		34-16-11	D00821	48		N2	2		
746	24	PK	D04597J	10		31-51-31	SM00043		W	N2	1		
747	24	PK	D01487	46		31-51-31	SM00043		W	N2	1		
748	24	PK	D04347J	7		31-51-31	SM00045		W	N2	1		
749	24	PK	D01487	10		31-51-31	SM00045		W	N2	1		
750	24	PK	D01487	19		31-51-31	SM00046		W	N2	1		
751	24	PK	D01487	13		31-51-31	SM00040		W	N2	1		
752	24	PK	D01487	47		31-51-31	SM00044		W	N2	1		

286T0045-OBX
Wire Bundle Assembly
Figure 151 (Sheet 16)

25-71-02

TESTING & TROUBLE SHOOTING

01

Page 208E

Nov 01/02

WIRE			FROM EQUIPMENT			TO EQUIPMENT			WIRE INFO				
NUMBER	GA	TYP	NUMBER	TERM	TT	WDM REF	NUMBER	TERM	TT	EMC	FT	NOTE	EFFECTIVITY
753	24	PK	D01487	51		31-51-31	SM00041		W	N2	1		
755	24	PV	D01487	1		31-51-31	SM00035		W	N2	1		
755Z			D01487	DED		31-51-31	SM00035	DED		N2			
756	24	PK	D01487	50		31-51-31	SM00036		W	N2	1		
757	24	PK	D01487	49		31-51-31	SM00039		W	N2	1		
758	24	PK	D01487	22		31-51-31	D01489	23		N2	2		
759	24	PK	D01487	55		31-51-31	D01489	47		N2	2		
760	24	PK	D01487	34		31-51-31	D01489	51		N2	2		
761	24	PK	D01487	66		31-51-31	D01489	57		N2	2		
762	24	PK	D00817	10		31-51-32	SM00045		W	N2	1		
763	24	PK	D00817	46		31-51-32	SM00043		W	N2	1		
764	24	PV	D00817	1		31-51-32	SM00035		W	N2	1		
764Z			D00817	DED		31-51-32	SM00035	DED		N2			
765	24	PK	D00817	50		31-51-32	SM00036		W	N2	1		
766	24	PV	D00817	49		31-51-32	SM00053		W	N2	1		
766Z			D00817	DED		31-51-32	SM00053	DED		N2			
767	24	PK	D00817	19		31-51-32	SM00046		W	N2	1		
768	24	PK	D00817	13		31-51-32	SM00040		W	N2	1		
769	24	PK	D00817	47		31-51-32	SM00044		W	N2	1		
770	24	PK	D00817	51		31-51-32	SM00041		W	N2	1		
772	24	PK	D00817	22		31-51-32	D01489	54		N2	2		
773	24	PK	D00817	55		31-51-32	D01489	13		N2	2		
774	24	PK	D00817	34		31-51-32	D01489	25		N2	2		
775	24	PK	D00817	66		31-51-32	D01489	58		N2	2		
776	24	PK	D01489	42		31-51-33	D04347J	15		N2	2		
777	24	PK	D01489	8		31-51-33	D04349J	13		N2	2		
779	24	PK	D01489	35		31-51-33	D04349J	40		N2	2		
780	24	PK	D01489	53		31-51-33	D04349J	2		N2	2		
781	24	PK	D01489	31		31-51-33	D01489	48		N2	2		
782	24	PK	D01489	18		31-51-33	D01489	22		N2	2		
783	24	PK	D01489	38		31-51-33	SM00008		W	N2	1		

286T0045-OBX
Wire Bundle Assembly
Figure 151 (Sheet 17)

25-71-02



BOEING
COMPONENT
MAINTENANCE MANUAL

WIRE			FROM EQUIPMENT			TO EQUIPMENT			WIRE INFO				
NUMBER	GA	TYP	NUMBER	TERM	TT	WDM REF	NUMBER	TERM	TT	EMC	FT	NOTE	EFFECTIVITY
784	24	PK	D01489	4		31-51-33	SM00011		W	N2	1		
785	24	PK	D01489	37		31-51-33	SM00012		W	N2	1		
786	24	PK	D01489	3		31-51-33	SM00010		W	N2	1		
787	24	PK	D01489	1		31-51-33	SM00009		W	N2	1		
788	24	PK	D01489	6		31-51-33	SM00034		W	N2	1		
789	24	PK	D01489	41		31-51-33	D04509J	11		N2	2		
791	24	PK	D01489	7		31-51-33	D04509J	10		N2	2		
792	24	PK	D01489	40		31-51-33	D04509J	9		N2	2		
793	24	PK	D00819	11		31-51-41	SM00075		W	N2	1		
794	20	PA	D04303J	10		31-51-32	GDX0004	S..	2	N2	2		
795	24	PK	D01433	9		31-51-42	D01433	48		N2			
796	24	PK	D01433	22		31-51-42	D01433	50		N2			
797	24	PV	D00815	41		31-51-21	SM00053		W	N2	1		
797Z			D00815	DED		31-51-21	SM00053	DED		N2			
798	24	PV	D04349J	9		31-51-21	SM00053		W	N2	1		
798Z			D04349J	DED		31-51-21	SM00053	DED		N2			
817	24	PK	D00823	55		27-32-12	D11553	6		N2	2		
818	24	PK	D00823	21		27-32-12	D11553	4		N2	2		
819	24	PK	D00823	51		27-32-12	D11553	3		N2	2		
820	24	PK	D00823	50		27-32-12	D11553	2		N2	2		
821	24	PK	D00823	49		27-32-12	D11553	7		N2	2		
822	24	PK	D00823	47		27-32-12	D11553	8		N2	2		
823	24	PK	D00823	46		27-32-12	D11553	9		N2	2		
824	24	PK	D00823	53		27-32-12	D11553	5		N2	2		
825	24	PK	D00823	62		27-32-12	D11553	24		N2	2		
826	24	PK	D01381	55		27-32-22	D11553	16		N2	2		
827	24	PK	D01381	21		27-32-22	D11553	14		N2	2		
828	24	PK	D01381	51		27-32-22	D11553	13		N2	2		
829	24	PK	D01381	50		27-32-22	D11553	12		N2	2		
830	24	PK	D01381	49		27-32-22	D11553	17		N2	2		
831	24	PK	D01381	47		27-32-22	D11553	18		N2	2		

286T0045-OBX
Wire Bundle Assembly
Figure 151 (Sheet 18)

25-71-02

TESTING & TROUBLE SHOOTING

01

Page 208G

Nov 01/02

WIRE			FROM EQUIPMENT			TO EQUIPMENT			WIRE INFO				
NUMBER	GA	TYP	NUMBER	TERM	TT	WDM REF	NUMBER	TERM	TT	EMC	FT	NOTE	EFFECTIVITY
832	24	PK	D01381	46		27-32-22	D11553	19		N2	2		
833	24	PK	D01381	53		27-32-22	D11553	15		N2	2		
834	24	PK	D01381	62		27-32-22	D11553	34		N2	2		
835	24	PK	D04349J	50		27-32-21	D01381	64		N2	2		
836	20	PA	D04349J	53		27-32-21	GDX0002	S..	2	N2	2		
837	24	PK	D00823	42		27-32-12	SM00082		W	N2	1		
838	24	PK	D01381	42		27-32-22	SM00085		W	N2	1		
842	24	PK	D01381	6		27-32-22	SM00085		W	N2	1		
843	24	PK	D00823	6		27-32-12	SM00082		W	N2	1		
862	22	PA	D02261	30		31-41-35	GDX0006	S..	2	N2	1		
863	22	PA	D02261	32		31-41-35	GDX0006	S..	2	N2	1		
864	22	PA	D02261	33		31-41-35	GDX0006	S..	2	N2	1		
865	22	PA	D02261	64		31-41-35	GDX0006	S..	2	N2	1		
866	24	PV	D02261	27		31-51-11	SM00018		W	N2	1		
866Z			D02261	DED		31-51-11	SM00018	REF		N2			
867	24	PV	D02261	28		31-51-11	SM00047		W	N2	1		
867Z			D02261	DED		31-51-11	SM00047	REF		N2			
868	24	PV	D02261	29		31-51-12	SM00054		W	N2	1		
868Z			D02261	DED		31-51-12	SM00054	REF		N2			
869	24	PK	D02261	34		31-51-12	SM00025		W	N2	1		
870	22	PA	D02261	56		31-51-12	GDX0001	S..	2	N2	2		
871	22	PA	D02261	57		31-51-12	GDX0003	S..	2	N2	2		
872	22	PA	D02261	59		31-51-11	GDX0005	S..	2	N2	1		
873	24	PV	D02261	60		31-51-12	SM00055		W	N2	1		
873Z			D02261	DED		31-51-12	SM00055	REF		N2			
874	24	PV	D02261	62		31-51-11	SM00049		W	N2	1		
874Z			D02261	DED		31-51-11	SM00049	REF		N2			
875	24	PV	D02261	63		31-51-12	SM00056		W	N2	1		
875Z			D02261	DED		31-51-12	SM00056	REF		N2			
876	24	PK	D02261	65		31-51-11	SM00022		W	N2	1		
877	24	PV	D00811	14		31-51-11	SM00018		W	N2	2		

286T0045-OBX
Wire Bundle Assembly
Figure 151 (Sheet 19)

25-71-02



BOEING
COMPONENT
MAINTENANCE MANUAL

WIRE			FROM EQUIPMENT			TO EQUIPMENT			WIRE INFO				
NUMBER	GA	TYP	NUMBER	TERM	TT	WDM REF	NUMBER	TERM	TT	EMC	FT	NOTE	EFFECTIVITY
877Z			D00811	DED		31-51-11	SM00018	REF		N2			
878	24	PV	D00811	48		31-51-11	SM00047	REF	W	N2	2		
878Z			D00811	DED		31-51-11	SM00047	REF		N2			
879	24	PV	D00811	23		31-51-11	SM00049	REF	W	N2	2		
879Z			D00811	DED		31-51-11	SM00049	REF		N2			
880	24	PV	D00813	14		31-51-12	SM00054	REF	W	N2	2		
880Z			D00813	DED		31-51-12	SM00054	REF		N2			
881	24	PV	D00813	48		31-51-12	SM00055	REF	W	N2	2		
881Z			D00813	DED		31-51-12	SM00055	REF		N2			
882	24	PV	D00813	23		31-51-12	SM00056	REF	W	N2	2		
882Z			D00813	DED		31-51-12	SM00056	REF		N2			
883	22	PA	D02261	15		38-32-11	D04349J	26		N2	2		
884	22	PA	D02261	47		38-32-11	D04347J	27		N2	2		
885	24	PK	D04303J	9		31-51-21	SM00057		W	N2	1		
886	24	PK	D04507J	3		31-51-21	SM00058		W	N2	1		
887	24	PK	D04507J	1		31-51-21	SM00058		W	N2	1		
888	24	PK	SM00057		W	31-51-21	D04349J	25		N2	1	PAJ-F2	

286T0045-OBX
Wire Bundle Assembly
Figure 151 (Sheet 20)

25-71-02

TESTING & TROUBLE SHOOTING

01

Page 208I

Nov 01/02

WIRE			FROM EQUIPMENT				TO EQUIPMENT				WIRE INFO			
NUMBER	GA	TYP	NUMBER	TERM	TT	WDM REF	NUMBER	TERM	TT	EMC	FT	NOTE	EFFECTIVITY	
FRB			D00813			31-51-12	D00813	59		N2				
FRD			D00811			31-51-11	D00811	59		N2				
FRG			D04349J	58		31-41-35	D04349J			N2				
FRH			D04349J	61		28-41-11	D04349J			N2				
PA1			D00815	47		99-99-99	D00815	63		N2		DAW-B2		
PA2			D00817	8		99-99-99	D00817	57		N2		DAW-B2		
PA3			D00819	41		99-99-99	D00819	55		N2		DAW-B2		
PA4			D00821	43		99-99-99	D00821	60		N2		DAW-B2		
PA5			D00823	52		99-99-99	D00823	65		N2		DAW-B2		
PA6			D01433	44		99-99-99	D01433	61		N2		DAW-B2		
PA7			D01381	52		99-99-99	D01381	65		N2		DAW-B2		
PA8			D01487	8		99-99-99	D01487	57		N2		DAW-B2		
PA9			D01489	56		99-99-99	D01489	65		N2		DAW-B2		
PB4			D02261	54		99-99-99	D02261	61		N2		DAW-B2		
P01		SE	D11553							N2				
1	22	PA	D00811	60		31-51-11	GDX0001	S..	2	N2	3	UAE-F2		
2	22	PA	D00821	14		31-51-11	GDX0002	D..	2	N2	2			
3	24	PV	D00811	26		31-51-11	D00821	27		N2	3			
003Z			D00811	DED		31-51-11	D00821			N2				
4	24	PV	D00811	49		31-51-11	D00821	32		N2	3			
004Z			D00811	DED		31-51-11	D00821			N2				
5	24	PV	D00811	35		31-51-11	D00821	17		N2	3			
005Z			D00811	DED		31-51-11	D00821			N2				
6	24	PK	SM00022	65	W	31-51-11	D00821	51		N2	1			
7	24	PK	D00811	37		31-51-11	SM00022		W	N2	2			
8	24	PK	D00819	27		31-51-11	SM00022		W	N2	1			
9	24	PV	D00819	27		31-51-11	D00811	13		N2	3			
009Z			D00811	DED		31-51-11	D00819			N2				
10	22	PA	D00819	14		31-51-11	D00819	D..	2	N2	2			
11	24	PK	D01433	51		31-51-11	GDX0001		W	N2	1			
12	24	PV	SM00018		W	31-51-11	SM00022	27		N2	1			
							D01433			N2				

286T0045-0BY
Wire Bundle Assembly
Figure 152 (Sheet 1)

25-71-02



BOEING
COMPONENT
MAINTENANCE MANUAL

WIRE		FROM EQUIPMENT			TO EQUIPMENT			WIRE INFO					
NUMBER	GA	TYP	NUMBER	TERM	TT	WDM REF	NUMBER	TERM	TT	EMC	FT	NOTE	EFFECTIVITY
012Z			SM00018	REF		31-51-11	D01433			N2			
13	24	PV	SM00047		W	31-51-11	D01433	32		N2	1		
013Z			SM00047	REF		31-51-11	D01433			N2			
14	24	PV	SM00049		W	31-51-11	D01433	17		N2	1		
014Z			SM00049	REF		31-51-11	D01433			N2			
15	22	PA	D01433	14	W	31-51-11	GDX0001	D..	2	N2	2		
16	20	PA	SM00028			31-51-11	GDX0005	D..	2	N2	2		
17	20	UA	GDX0002	S..	2	31-51-11	D00821			N2	2		
18	20	UA	GDX0005	S..	2	31-51-11	D00819			N2	2		
19	20	UA	D01433			31-51-11	GDX0002	S..	2	N2	2		
20	20	PA	GDX0005	D..	2	31-51-11	SM00029		W	N2	2		
21	20	UA	GDX0002	S..	2	31-51-11	D01503			N2	2		
23	20	UA	D00815			31-51-11	GDX0002	S..	2	N2	2		
24	24	PK	D04349J	38		31-51-11	SM00005		W	N2	1		
25	24	PK	D01503	A2		31-51-11	SM00005		W	N2	1		
26	20	PA	D01503	A3		31-51-11	SM00005		2	N2	2		
27	22	PQ	D01503	X2		31-51-11	GDX0003	D..	2	N2	2		
027Z			D00811	DED		31-51-11	D00811	75		N2	4		
28	24	PV	D01503	X1		31-51-11	D01503			N2			
028Z			SM00015	REF		31-51-11	SM00015		W	N2	1		
29	24	PV	D00811	46		31-51-11	D01503			N2	2		
029Z			SM00015	REF		31-51-11	SM00015		W	N2	2		
30	24	PK	SM00015		W	31-51-11	D00811	DED		N2			
32	20	PA	D11553	11		31-51-11	D11553	35		N2	1		
33	24	PK	D11553	37		31-51-11	GDX0003	D..	2	N2	2		
34	24	PK	D11553	36		31-51-11	D00811	34		N2	4		
35	22	PA	D00815	14		31-51-11	D00811	33		N2	4		
36	24	PV	D00815	27		31-51-11	GDX0001	D..	2	N2	2		
036Z			D00811	DED		31-51-11	D00811	12		N2	3		
37	24	PV	D00815	32		31-51-11	D00815			N2	2		
037Z			D00811	DED		31-51-11	D00811	17		N2	3		

286T0045-0BY
Wire Bundle Assembly
Figure 152 (Sheet 2)

25-71-02

TESTING & TROUBLE SHOOTING
01

Page 208K
Nov 01/02

WIRE			FROM EQUIPMENT			TO EQUIPMENT			WIRE INFO				
NUMBER	GA	TYP	NUMBER	TERM	TT	WDM REF	NUMBER	TERM	TT	EMC	FT	NOTE	EFFECTIVITY
38	24	PV	D00815	17		31-51-11	D00811	22		N2	3		
038Z			D00811	DED		31-51-11	D00815			N2			
39	24	PK	D00815	54		31-51-11	SM00020		W	N2	1		
40	24	PK	D00811	63		31-51-11	SM00020		W	N2	2		
41	24	PK	D00823	35		31-51-11	SM00020		W	N2	1		
42	24	PK	D01381	35		31-51-11	SM00020		W	N2	1		
45	22	PA	D01381	14		31-51-11	GDX0001	D..	2	N2	2		
46	22	PA	D01381	48		31-51-11	GDX0003	D..	2	N2	2		
47	24	PV	D01381	27		31-51-11	D00811	11		N2	3		
047Z			D00811	DED		31-51-11	D01381			N2			
48	24	PV	D01381	32		31-51-11	D00811	16		N2	3		
048Z			D00811	DED		31-51-11	D01381			N2			
49	24	PV	D01381	17		31-51-11	D00811	21		N2	3		
049Z			D00811	DED		31-51-11	D01381			N2			
52	22	PA	D00823	14		31-51-11	GDX0001	D..	2	N2	2		
53	22	PA	D00823	48		31-51-11	GDX0003	D..	2	N2	2		
54	24	PV	D00823	27		31-51-11	D00811	10		N2	3		
054Z			D00811	DED		31-51-11	D00823			N2			
55	24	PV	D00823	32		31-51-11	D00811	15		N2	3		
055Z			D00811	DED		31-51-11	D00823			N2			
56	24	PV	D00823	17		31-51-11	D00811	20		N2	3		
056Z			D00811	DED		31-51-11	D00823			N2			
57	22	PA	D00817	14		31-51-11	GDX0002	D..	2	N2	2		
58	24	PV	D00817	27		31-51-11	D00811	51		N2	3		
058Z			D00811	DED		31-51-11	D00817			N2			
59	24	PV	D00817	32		31-51-11	D00811	74		N2	3		
059Z			D00811	DED		31-51-11	D00817			N2			
60	24	PK	D00817	45		31-51-11	SM00021		W	N2	1		
61	24	PK	D00811	64		31-51-11	SM00021		W	N2	2		
62	24	PK	D01489	16		31-51-11	SM00021		W	N2	1		
63	24	PK	D01487	45		31-51-11	SM00021		W	N2	1		

286T0045-0BY
Wire Bundle Assembly
Figure 152 (Sheet 3)

25-71-02



BOEING
COMPONENT
MAINTENANCE MANUAL

WIRE		FROM EQUIPMENT			TO EQUIPMENT			WIRE INFO					
NUMBER	GA	TYP	NUMBER	TERM	TT	WDM REF	NUMBER	TERM	TT	EMC	FT	NOTE	EFFECTIVITY
64	24	PV	D01487	27		31-51-11	D00811	47		N2	3		
064Z			D00811	DED		31-51-11	D01487			N2			
65	24	PV	D01487	32		31-51-11	D00811	70		N2	3		
065Z			D00811	DED		31-51-11	D01487			N2			
66	22	PA	D01487	14		31-51-11	GDX0003	D..	2	N2	2		
67	24	PV	D01489	27		31-51-11	D00811	45		N2	3		
067Z			D00811	DED		31-51-11	D01489			N2			
68	24	PV	D01489	32		31-51-11	D00811	50		N2	3		
068Z			D00811	DED		31-51-11	D01489			N2			
69	24	PV	D01489	17		31-51-11	D00811	36		N2	3		
069Z			D00811	DED		31-51-11	D01489			N2			
70	22	PA	D01489	14		31-51-11	GDX0003	D..	2	N2	2		
71	20	UA	D01381			31-51-11	GDX0002	S..	2	N2	2		
72	20	UA	D00823			31-51-11	GDX0002	S..	2	N2	2		
73	20	UA	D00817			31-51-11	GDX0002	S..	2	N2	2		
74	20	PA	SM00026		W	31-51-11	GDX0005	D..	2	N2	2		
75	20	UA	D01487			31-51-11	GDX0005	S..	2	N2	2		
76	20	UA	GDX0005	S..	2	31-51-11	D01489			N2	2		
77	24	PK	D02261	40		31-41-35	D04349J	1		N2	2		
78	20	PA	SM00027		W	31-51-11	GDX0005	D..	2	N2	2		
79	22	PA	D00813	60		31-51-12	GDX0003	S..	2	N2	2		
80	22	PA	D00821	15		31-51-12	GDX0002	D..	2	N2	2		
81	24	PV	D00821	30		31-51-12	D00813	26		N2	3		
081Z			D00813	DED		31-51-12	D00821			N2			
82	24	PV	D00821	33		31-51-12	D00813	49		N2	3		
082Z			D00813	DED		31-51-12	D00821			N2			
83	24	PV	D00821	24		31-51-12	D00813	35		N2	3		
083Z			D00813	DED		31-51-12	D00821			N2			
84	24	PK	D00821	19		31-51-12	SM00025		W	N2	1		
85	24	PK	D00813	65		31-51-12	SM00025		W	N2	2		
86	24	PK	D00819	3		31-51-12	SM00025		W	N2	1		

286T0045-0BY
Wire Bundle Assembly
Figure 152 (Sheet 4)

25-71-02

WIRE			FROM EQUIPMENT			TO EQUIPMENT			WIRE INFO				
NUMBER	GA	TYP	NUMBER	TERM	TT	WDM REF	NUMBER	TERM	TT	EMC	FT	NOTE	EFFECTIVITY
87	24	PK	D01433	18		31-51-12	SM00025		W	N2	1		
88	22	PA	D01433	15		31-51-12	GDX0002	D..	2	N2	2		
89	24	PV	D01433	30		31-51-12	SM00054		W	N2	1		
089Z			SM00054	REF		31-51-12	D01433			N2			
90	24	PV	D01433	33		31-51-12	SM00055		W	N2	1		
090Z			SM00055	REF		31-51-12	D01433			N2			
91	24	PV	D01433	24		31-51-12	SM00056		W	N2	1		
091Z			SM00056	REF		31-51-12	D01433			N2			
92	22	PA	D00819	15		31-51-12	GDX0002	D..	2	N2	2		
93	24	PV	D00819	30		31-51-12	D00813	13		N2	3		
093Z			D00813	DED		31-51-12	D00819			N2			
94	20	PA	SM00032		W	31-51-12	GDX0005	D..	2	N2			
95	24	PV	D01505	X2		31-51-12	D00813	75		N2	3		
095Z			D00813	DED		31-51-12	D01505			N2			
96	24	PV	D01505	X1		31-51-12	SM00016		W	N2	1		
096Z			SM00016	REF		31-51-12	D01505			N2			
97	24	PV	D00813	46		31-51-12	SM00016		W	N2	2		
097Z			SM00016	REF		31-51-12	D00813	DED		N2			
98	20	PA	SM00033		W	31-51-12	GDX0005	D..	2	N2			
99	24	PK	SM00016		W	31-51-12	D11553	25		N2	1		
10A	24	PK	D01489	21		31-51-33	D04349J	23		N2	2		
100	20	PA	D11553	1		31-51-12	GDX0003	D..	2	N2	2		
101	20	UA	D00821			31-51-12	GDX0004	S..	2	N2	2		
102	20	UA	D00819			31-51-12	GDX0004	S..	2	N2	2		
103	20	UA	D01433			31-51-12	GDX0004	S..	2	N2	2		
104	20	UA	D01505			31-51-12	GDX0005	S..	2	N2	2		
106	20	UA	D00815			31-51-12	GDX0004	S..	2	N2	2		
107	20	UA	D01381			31-51-12	GDX0004	S..	2	N2	2		
109	20	UA	D00817			31-51-12	GDX0004	S..	2	N2	2		
110	20	UA	D01487			31-51-12	GDX0001	S..	2	N2	2		
111	20	UA	D01489			31-51-12	GDX0001	S..	2	N2	2		

286T0045-0BY
Wire Bundle Assembly
Figure 152 (Sheet 5)

25-71-02



BOEING
COMPONENT
MAINTENANCE MANUAL

WIRE			FROM EQUIPMENT			TO EQUIPMENT			WIRE INFO				
NUMBER	GA	TYP	NUMBER	TERM	TT	WDM REF	NUMBER	TERM	TT	EMC	FT	NOTE	EFFECTIVITY
112	22	PA	D00815	15		31-51-12	GDX0001	D..	2	N2	2		
113	24	PK	D01505	A2		31-51-12	SM00005		W	N2	1		
114	20	PA	D01505	A3		31-51-12	GDX0003	D..	2	N2	2		
115	24	PK	D02261	21		21-61-81	D04347J	25		N2	2		
116	24	PK	D00815	21		31-51-12	SM00023		W	N2	1		
117	24	PK	D00813	63		31-51-12	SM00023		W	N2	2		
118	24	PK	D00823	1		31-51-12	SM00023		W	N2	1		
119	24	PK	D01381	1		31-51-12	SM00023		W	N2	1		
120	22	PA	D01381	15		31-51-12	GDX0001	D..	2	N2	2		
121	24	PK	D00817	56		31-51-12	SM00024		W	N2	1		
122	24	PK	D00813	64		31-51-12	SM00024		W	N2	2		
123	24	PK	D01487	56		31-51-12	SM00024		W	N2	1		
124	22	PA	D00823	15		31-51-12	GDX0001	D..	2	N2	2		
125	20	UA	D00823			31-51-12	GDX0004	S..	2	N2	2		
126	24	PV	D00823	33		31-51-12	D00813	15		N2	3		
126Z			D00823			31-51-12	D00813	DED		N2			
127	24	PV	D00823	24		31-51-12	D00813	20		N2	3		
127Z			D00823			31-51-12	D00813	DED		N2			
128	22	PA	D00817	15		31-51-12	GDX0002	D..	2	N2	2		
129	24	PV	D00817	30		31-51-12	D00813	51		N2	3		
129Z			D00817			31-51-12	D00813	DED		N2			
130	24	PV	D00817	33		31-51-12	D00813	74		N2	3		
130Z			D00817			31-51-12	D00813	DED		N2			
131	24	PV	D00813	11		31-51-12	D01381	30		N2	3		
131Z			D01381			31-51-12	D00813	DED		N2			
132	24	PV	D00813	16		31-51-12	D01381	33		N2	3		
132Z			D01381			31-51-12	D00813	DED		N2			
133	24	PV	D01381	24		31-51-12	D00813	21		N2	3		
133Z			D01381			31-51-12	D00813	DED		N2			
134	24	PK	D01489	50		31-51-12	SM00024		W	N2	1		
135	24	PV	D01487	30		31-51-12	D00813	47		N2	3		

286T0045-0BY
Wire Bundle Assembly
Figure 152 (Sheet 6)

25-71-02

TESTING & TROUBLE SHOOTING

01

Page 2080

Nov 01/02

WIRE			FROM EQUIPMENT			TO EQUIPMENT			WIRE INFO				
NUMBER	GA	TYP	NUMBER	TERM	TT	WDM REF	NUMBER	TERM	TT	EMC	FT	NOTE	EFFECTIVITY
135Z			D01487			31-51-12	D00813	DED		N2			
136	24	PV	D01487	33		31-51-12	D00813	70		N2	3		
136Z			D01487			31-51-12	D00813	DED		N2			
137	22	PA	D01487	15		31-51-12	GDX0003	D..	2	N2	2		
138	24	PV	D01489	30		31-51-12	D00813	45		N2	3		
138Z			D01489			31-51-12	D00813	DED		N2			
139	24	PV	D01489	33		31-51-12	D00813	50		N2	3		
139Z			D01489			31-51-12	D00813	DED		N2			
140	24	PV	D01489	24		31-51-12	D00813	36		N2	3		
140Z			D01489			31-51-12	D00813	DED		N2			
141	22	PA	D01489	15		31-51-12	GDX0003	D..	2	N2	2		
142	24	PK	D00813	33		31-51-12	D11553	26		N2	3		
143	24	PK	D11553	27		31-51-12	D00813	34		N2	3		
144	24	PV	D00813	12		31-51-12	D00815	30		N2	3		
144Z			D00813	DED		31-51-12	D00815			N2			
145	20	PA	SM00030		W	31-51-12	GDX0005	D..	2	N2			
146	24	PV	D00813	17		31-51-12	D00815	33		N2	3		
146Z			D00813	DED		31-51-12	D00815			N2			
147	24	PV	D00813	22		31-51-12	D00815	24		N2	3		
147Z			D00813	DED		31-51-12	D00815			N2			
148	24	PV	D00813	10		31-51-12	D00823	30		N2	3		
148Z			D00813	DED		31-51-12	D00823			N2			
149	20	PA	SM00031		W	31-51-12	GDX0005	D..	2	N2			
150	22	PA	D04301J	6		27-32-11	D00823	34		N2	2		
151	24	PK	D04509J	1		27-32-11	D00823	39		N2	2		
152	24	PK	D04347J	26		27-32-11	D00823	40		N2	2		
153	24	PK	D00823	31		27-32-11	D04509J	6		N2	2		
154	20	PA	D04509J	7		27-32-11	GDX0001	D..	2	N2	2		
155	24	PK	SM00037		W	27-32-11	D04511J	3		N2	1		
156	24	PK	D00823	38		27-32-11	D04511J	2		N2	2		
157	24	PK	D04511J	4		27-32-11	SM00050		W	N2	1		

286T0045-0BY
Wire Bundle Assembly
Figure 152 (Sheet 7)

25-71-02



BOEING
COMPONENT
MAINTENANCE MANUAL

WIRE		FROM EQUIPMENT			TO EQUIPMENT			WIRE INFO					
NUMBER	GA	TYP	NUMBER	TERM	TT	WDM REF	NUMBER	TERM	TT	EMC	FT	NOTE	EFFECTIVITY
158	24	PK	SM00037		W	27-32-11	D00823	4		N2	1		
159	24	PK	D04349J	14		27-32-11	D00823	36		N2	1		
160	24	PK	D04349J	15		27-32-11	D00823	3		N2	1		
161	24	PK	D04349J	16		27-32-11	D00823	43		N2	1		
162	24	PK	D04349J	10		27-32-11	D00823	2		N2	1		
165	22	PA	D04349J	11		27-32-21	D01381	34		N2	2		
166	24	PK	D01381	40		27-32-21	D04349J	6		N2	2		
167	24	PK	D01381	31		27-32-21	D04511J	7		N2	2		
168	20	PA	GDX0002	D..	2	27-32-21	D04511J	8		N2	2		
169	24	PK	D04349J	34		27-32-21	D01381	36		N2	2		
170	24	PK	D04349J	35		27-32-21	D01381	3		N2	2		
171	24	PK	D04349J	36		27-32-21	D01381	43		N2	2		
172	24	PK	D04349J	37		27-32-21	D01381	2		N2	2		
173	24	PK	D04511J	13		27-32-21	D01381	4		N2	2		
174	24	PK	D04511J	16		27-32-21	D01381	37		N2	2		
175	24	PK	D04511J	15		27-32-21	D01381	38		N2	2		
176	24	PK	D04509J	8		27-32-21	D01381	39		N2	2		
177	24	PK	D00815	34		31-51-21	SM00057		W	N2	1		
178	24	PK	D00815	43		31-51-21	D01433	19		N2	2		
179	24	PK	D00815	10		31-51-21	D00819	5		N2	2		
180	24	PK	D04507J	5		31-51-21	SM00034		W	N2	1		
181	24	PK	SM00058		W	31-51-21	D00815	66		N2	1		
182	24	PK	D00815	4		31-51-21	SM00034		W	N2	1		
183	24	PK	D00815	11		31-51-21	D04349J	39		N2	2		
184	22	PA	D00815	37		31-51-21	SM00035		W	N2	1		
185	22	PA	D00815	42		31-51-21	SM00036		W	N2	1		
186	24	PK	D04349J	5		31-51-21	SM00012		W	N2	1		
187	24	PK	D00815	2		31-51-21	SM00012		W	N2	1		
188	24	PK	SM00011		W	31-51-21	D04349J	4		N2	1		
189	24	PK	SM00011		W	31-51-21	D00815	35		N2	1		
190	24	PK	D04349J	44		31-51-21	SM00009		W	N2	1		

286T0045-0BY
Wire Bundle Assembly
Figure 152 (Sheet 8)

25-71-02

TESTING & TROUBLE SHOOTING
01 Page 208Q
Nov 01/02

WIRE			FROM EQUIPMENT			TO EQUIPMENT			WIRE INFO				
NUMBER	GA	TYP	NUMBER	TERM	TT	WDM REF	NUMBER	TERM	TT	EMC	FT	NOTE	EFFECTIVITY
191	24	PK	D00815	44		31-51-21	SM00009		W	N2	1		
192	24	PK	D04347J	10		31-51-21	SM00008		W	N2	1		
193	24	PK	D00815	1		31-51-21	SM00008		W	N2	1		
196	24	PK	SM00039		W	31-51-21	D04347J	21		N2	1		
197	24	PK	D00815	45		31-51-21	SM00039		W	N2	1		
198	24	PK	D00815	46		31-51-21	D04347J	6		N2	2		
199	20	PA	GDX0004	S..	2	31-51-31	D04597J	14		N2	2		
201B	24	PW	D01489	43		31-51-33	SM00004		W	N2	1		
201R	24	PW	D01489	9		31-51-33	SM00003		W	N2			
201Z			D01489	DED		31-51-33	SM00003	REF		N2			
204	20	UA	D04507J			27-32-11	GDX0004	S..	2	N2	2		
204B	24	PW	D00823	18		27-32-11	D04507J	12		N2	1		
204R	24	PW	D00823	16		27-32-11	D04507J	11		N2			
204Z			D00823	DED		27-32-11	D04507J			N2			
205B	24	PW	D00815	19		31-51-21	SM00007		W	N2	1		
205R	24	PW	D00815	52		31-51-21	SM00006		W	N2			
205Z			D00815	DED		31-51-21	SM00006	REF		N2			
207	20	UA	D04597J		W	31-51-21	GDX0004	S..	2	N2	2		
207B	24	PW	SM00007			31-51-21	D04597J	4		N2	1		
207R	24	PW	SM00006		W	31-51-21	D04597J	3		N2			
207Z			SM00006	REF		31-51-21	D04597J			N2			
208	20	UA	D04301J			34-16-11	GDX0002	S..	2	N2	2		
208B	24	PW	D00821	36		34-16-11	D04301J	9		N2	2		
208R	24	PW	D00821	2		34-16-11	D04301J	8		N2			
208Z			D00821	DED		34-16-11	D04301J			N2			
209B	24	PW	D01489	46		31-51-33	SM00007		W	N2	1		
209R	24	PW	D01489	12		31-51-33	SM00006		W	N2			
209Z			D01489	DED		31-51-33	SM00006	REF		N2			
212B	24	PW	D01433	36		31-51-42	SM00007		W	N2	1		
212R	24	PW	D01433	2		31-51-42	SM00006		W	N2			
212Z			D01433	DED		31-51-42	SM00006	REF		N2			

286T0045-0BY
Wire Bundle Assembly
Figure 152 (Sheet 9)

25-71-02



BOEING
COMPONENT
MAINTENANCE MANUAL

WIRE		FROM EQUIPMENT			TO EQUIPMENT			WIRE INFO					
NUMBER	GA	TYP	NUMBER	TERM	TYP	WDM REF	NUMBER	TERM	TYP	EMC	FT	NOTE	EFFECTIVITY
213	20	UA	D04507J			34-16-11	GDX0004	S..	2	N2	2		
213B	24	PW	D00821	35		34-16-11	D04507J	8		N2	2		
213R	24	PW	D00821	1		34-16-11	D04507J	9		N2			
213Z			D00821	DED		34-16-11	D04507J			N2			
214	20	UA	D04349J			34-16-11	GDX0004	S..	2	N2	2		
214B	24	PW	D00821	37		34-16-11	D04349J	19		N2	2		
214R	24	PW	D00821	3		34-16-11	D04349J	18		N2			
214Z			D00821	DED		34-16-11	D04349J			N2			
215B	24	PL	D01487	24		31-51-31	D04597J	12		N2	2		
215R	24	PL	D01487	23		31-51-31	D04597J	13		N2			
216B	24	PL	D00817	24		31-51-32	D04303J	12		N2	2		
216R	24	PL	D00817	23		31-51-32	D04303J	11		N2			
221B	24	PW	D01489	45		31-51-33	SM00004		W	N2	1		
221R	24	PW	D01489	11		31-51-33	SM00003		W	N2			
221Z			D01489	DED		31-51-33	SM00003	REF		N2			
223B	24	PW	D00821	38		34-16-11	SM00004		W	N2	1		
223R	24	PW	D00821	4		34-16-11	SM00003		W	N2			
223Z			D00821	DED		34-16-11	SM00003	REF		N2			
224	20	UA	D04349J			27-32-21	GDX0004	S..	2	N2	2		
224B	24	PW	D04349J	28		27-32-21	D01381	18		N2	2		
224R	24	PW	D04349J	27		27-32-21	D01381	16		N2			
224Z			D04349J			27-32-21	D01381	DED		N2			
225B	22	PR	D00811	69		31-51-11	SM00060		W	N2	2		
225R	22	PR	D00811	68		31-51-11	SM00060		W	N2			
225Z			D00811	DED		31-51-11	SM00028	REF		N2			
226B	22	PR	D00813	69		31-51-12	SM00061		W	N2	2		
226R	22	PR	D00813	68		31-51-12	SM00061		W	N2			
226Z			D00813	DED		31-51-12	SM00030	REF		N2			
230	20	UA	D04347J			31-51-33	GDX0003	S..	2	N2	2		
230B	24	PW	D04347J	18		31-51-33	SM00004		W	N2			
230R	24	PW	D04347J	17		31-51-33	SM00003		W	N2			

286T0045-0BY
Wire Bundle Assembly
Figure 152 (Sheet 10)

25-71-02

TESTING & TROUBLE SHOOTING
01

Page 208S
Nov 01/02

WIRE			FROM EQUIPMENT			TO EQUIPMENT			WIRE INFO				
NUMBER	GA	TYP	NUMBER	TERM	TT	WDM REF	NUMBER	TERM	TT	EMC	FT	NOTE	EFFECTIVITY
230Z			D04347J			31-51-33	SM00003	REF		N2			
236	20	UA	D04347J			27-32-11	GDX0001	S..	2	N2	2		
236B	24	PW	D04347J	37		27-32-11	D00823	54		N2	2		
236R	24	PW	D04347J	36		27-32-11	D00823	23		N2			
236Z			D04347J			27-32-11	D00823	DED		N2			
237B	24	PW	D04347J	40		27-32-11	D00823	13		N2	2		
237R	24	PW	D04347J	39		27-32-11	D00823	12		N2			
237Z			D04347J			27-32-11	D00823	DED		N2			
238	20	UA	D04349J			27-32-21	GDX0001	S..	2	N2	2		
238B	24	PW	D04349J	49		27-32-21	D01381	54		N2	2		
238R	24	PW	D04349J	48		27-32-21	D01381	23		N2			
238Z			D04349J			27-32-21	D01381	DED		N2			
239B	24	PW	D01381	20		27-32-21	D04349J	55		N2	2		
239R	24	PW	D01381	19		27-32-21	D04349J	54		N2			
239Z			D01381	DED		27-32-21	D04349J			N2			
240B	24	PL	D04347J	23		31-51-31	SM00080		W	N2	1		
240R	24	PL	D04347J	22		31-51-31	SM00042		W	N2			
241B	24	PL	D01487	60		31-51-31	SM00080		W	N2	1		
241R	24	PL	D01487	28		31-51-31	SM00042		W	N2			
242B	24	PL	D00817	60		31-51-32	SM00080		W	N2	1		
242R	24	PL	D00817	28		31-51-32	SM00042		W	N2			
243B	24	PW	D04349J	52		27-32-21	D01381	13		N2	2		
243R	24	PW	D04349J	51		27-32-21	D01381	12		N2			
243Z			D04349J			27-32-21	D01381	DED		N2			
245B	24	PW	D00823	20		27-32-11	D04347J	48		N2	2		
245R	24	PW	D00823	19		27-32-11	D04347J	47		N2			
245Z			D00823	DED		27-32-11	D04347J			N2			
247	20	UA	D04349J			31-41-35	GDX0006	S..	2	N2	2		
247B	24	PW	D02261	42		31-41-35	D04349J	57		N2	2		
247R	24	PW	D02261	43		31-41-35	D04349J	56		N2			
247Z			D02261	DED		31-41-35	D04349J			N2			

286T0045-0BY
Wire Bundle Assembly
Figure 152 (Sheet 11)

25-71-02



BOEING
COMPONENT
MAINTENANCE MANUAL

WIRE			FROM EQUIPMENT				TO EQUIPMENT				WIRE INFO			
NUMBER	GA	TYP	NUMBER	TERM	TT	WDM REF	NUMBER	TERM	TT	EMC	FT	NOTE	EFFECTIVITY	
248	20	UA	D04349J			28-41-11	GDX0006	S..	2	N2	2			
248B	24	PW	D02261	5		28-41-11	D04349J	60		N2	2			
248R	24	PW	D02261	8		28-41-11	D04349J	59		N2				
248Z			D02261	DED		28-41-11	D04349J			N2				
271B	24	PL	D04597J	5		31-51-31	SM00088		W	N2	1			
271R	24	PL	D04597J	2		31-51-31	SM00087		W	N2				
272B	24	PL	D01487	63		31-51-31	SM00088		W	N2	1			
272R	24	PL	D01487	62		31-51-31	SM00087		W	N2				
273B	24	PL	D00817	63		31-51-32	SM00088		W	N2	1			
273R	24	PL	D00817	62		31-51-32	SM00087		W	N2				
290B	24	PW	D04597J	8		34-43-15	SM00104		W	N2	1			
290R	24	PW	D04597J	7		34-43-15	SM00103		W	N2				
290Z			D04597J	9		34-43-15	SM00103	REF		N2				
291B	24	PW	D04303J	4		34-43-15	SM00104		W	N2	1			
291R	24	PW	D04303J	3		34-43-15	SM00103		W	N2				
291Z			D04303J	5		34-43-15	SM00103	REF		N2				
292B	24	PW	D04347J	53		34-43-15	SM00104		W	N2	1			
292R	24	PW	D04347J	51		34-43-15	SM00103		W	N2				
292Z			D04347J	61		34-43-15	SM00103	REF		N2				
301	20	UA	SM00028	REF		31-51-11	GDX0005	S..	2	N2	1			
301B	22	PS	D00811	57		31-51-11	SM00028		W	N2	2			
301R	22	PS	D00811	38		31-51-11	SM00028		W	N2				
301Y	22	PS	D00811	58		31-51-11	SM00028		W	N2				
301Z			D00811	DED		31-51-11	SM00028	REF		N2				
302B	22	PS	D00811	42		31-51-11	SM00029		W	N2	2			
302R	22	PS	D00811	41		31-51-11	SM00029		W	N2				
302Y	22	PS	D00811	43		31-51-11	SM00029		W	N2				
302Z			D00811	DED		31-51-11	SM00028	REF		N2				
303B	22	PS	D00811	8		31-51-11	SM00026		W	N2	2			
303R	22	PS	D00811	7		31-51-11	SM00026		W	N2				
303Y	22	PS	D00811	9		31-51-11	SM00026		W	N2				

286T0045-0BY
Wire Bundle Assembly
Figure 152 (Sheet 12)

25-71-02

TESTING & TROUBLE SHOOTING
01

Page 208U
Nov 01/02

WIRE			FROM EQUIPMENT			TO EQUIPMENT			WIRE INFO				
NUMBER	GA	TYP	NUMBER	TERM	TT	WDM REF	NUMBER	TERM	TT	EMC	FT	NOTE	EFFECTIVITY
303Z			D00811	DED		31-51-11	SM00028	REF		N2			
304B	22	PS	D00811	25		31-51-11	SM00027		W	N2	2		
304R	22	PS	D00811	24		31-51-11	SM00027		W	N2			
304Y	22	PS	D00811	37		31-51-11	SM00027		W	N2			
304Z			D00811	DED		31-51-11	SM00028	REF		N2			
305	20	UA	SM00030	REF		31-51-12	GDX0005	S..	2	N2	1		
305B	22	PS	D00813	8		31-51-12	SM00030		W	N2	2		
305R	22	PS	D00813	7		31-51-12	SM00030		W	N2			
305Y	22	PS	D00813	9		31-51-12	SM00030		W	N2			
305Z			D00813	DED		31-51-12	SM00030	REF		N2			
306B	22	PS	D00813	25		31-51-12	SM00031		W	N2	2		
306R	22	PS	D00813	24		31-51-12	SM00031		W	N2			
306Y	22	PS	D00813	37		31-51-12	SM00031		W	N2			
306Z			D00813	DED		31-51-12	SM00030	REF		N2			
307B	22	PS	D00813	57		31-51-12	SM00032		W	N2	2		
307R	22	PS	D00813	38		31-51-12	SM00032		W	N2			
307Y	22	PS	D00813	58		31-51-12	SM00032		W	N2			
307Z			D00813	DED		31-51-12	SM00030	REF		N2			
308B	22	PS	D00813	42		31-51-12	SM00033		W	N2	2		
308R	22	PS	D00813	41		31-51-12	SM00033		W	N2			
308Y	22	PS	D00813	43		31-51-12	SM00033		W	N2			
308Z			D00813	DED		31-51-12	SM00030	REF		N2			
512	24	PK	D02261	20		27-81-31	D04349J	8		N2	2		
513	24	PK	D00823	41		27-32-12	SM00082		W	N2	1		
514	24	PK	D01381	41		27-32-22	SM00085		W	N2	1		
516	24	PK	D04347J	50		26-16-31	D02261	6		N2	2		
517	24	PK	D04349J	26		26-16-31	D02261	39		N2	2		
519	24	PK	D00815	36		31-51-21	D04347J	29		N2	2		
520	24	PK	D01489	3		31-51-33	D04347J	31		N2	2		
601	20	PA	SM00060		W	31-51-11	GDX0004	D..	2	N2			
602	20	PA	SM00061		W	31-51-12	GDX0005	D..	2	N2			

286T0045-0BY
Wire Bundle Assembly
Figure 152 (Sheet 13)

25-71-02

TESTING & TROUBLE SHOOTING
01

Page 208V
Nov 01/02



BOEING
COMPONENT
MAINTENANCE MANUAL

WIRE		FROM EQUIPMENT			TO EQUIPMENT			WIRE INFO					
NUMBER	GA	TYP	NUMBER	TERM	TT	WDM REF	NUMBER	TERM	TT	EMC	FT	NOTE	EFFECTIVITY
603	24	PV	D04301J	5		31-51-12	M01103	INE	D	N2	1		
603Z			D04301J	DED		31-51-12	M01103	GND	D	N2			
604	24	PV	D04301J	4		31-51-12	D00813	4		N2	3		
604Z			D04301J	DED		31-51-12	D00813			N2			
605	24	PV	D00813	1		31-51-12	M01103	OAD	D	N2	3		
605Z			D00813			31-51-12	M01103	DED		N2			
606	24	PV	D04349J	32		31-51-11	M01102	INE	D	N2	1		
606Z			D04349J	DED		31-51-11	M01102		D	N2			
607	24	PV	D04349J	33		31-51-11	M01102	GND	D	N2	3		
607Z			D04349J	DED		31-51-11	D00811	4		N2			
608	24	PV	D00811	1		31-51-11	M01102	OAD	D	N2	3		
608Z			D00811			31-51-11	M01102	DED		N2			
610	24	PK	D00823	37		27-32-11	SM00050	20	W	N2	1		
611	24	PK	D01433	6		31-51-42	D04347J		W	N2	2		
612	24	PK	D01433	4		31-51-42	SM00050		W	N2	1		
613	24	PK	D04349J	30		31-51-31	SM00065		W	N2	1		
614	24	PK	D01487	52		31-51-31	SM00065		W	N2	1		
615	24	PK	D00817	52		31-51-32	SM00065		W	N2	1		
617	24	PK	D01381	11		27-32-12	D00823	56		N2	1		
618	24	PK	D01381	56		27-32-12	D00823	11		N2	1		
619	24	PK	D00823	45		27-32-12	SM00082		W	N2	1		
620	24	PK	D04349J	29		31-51-21	SM00071		W	N2	1		
621	24	PK	D00815	7		31-51-21	SM00071		W	N2	1		
622	24	PK	D01489	2		31-51-33	SM00071		W	N2	1		
623	24	PK	D01489	36		31-51-33	SM00038		W	N2	1		
624	24	PK	D00815	8		31-51-21	SM00045		W	N2	1		
625	24	PK	D01487	9		31-51-31	SM00034		W	N2	1		
628	22	PA	D01487	20		31-51-31	GDX0006	D..	2	N2	2		
629	22	PA	D01487	53		31-51-31	GDX0006	D..	2	N2	2		
630	22	PA	D01487	21		31-51-31	GDX0006	D..	2	N2	2		
631	24	PK	D00817	9		31-51-32	SM00034		W	N2	1		

286T0045-0BY
Wire Bundle Assembly
Figure 152 (Sheet 14)

25-71-02

WIRE			FROM EQUIPMENT			TO EQUIPMENT			WIRE INFO				
NUMBER	GA	TYP	NUMBER	TERM	TT	WDM REF	NUMBER	TERM	TT	EMC	FT	NOTE	EFFECTIVITY
644	22	PQ	D00823	66		27-32-31	D04347J	42		N2	2		
644Z			D00823	DED		27-32-31	D04347J	DED		N2			
646	22	PQ	D01381	66		27-32-31	D04349J	42		N2	2		
646Z			D01381	DED		27-32-31	D04349J	DED		N2			
648	24	PK	D04347J	32		34-16-11	D00821	40		N2	2		
649	24	PK	D04347J	33		34-16-11	SM00038		W	N2	1		
681	24	PK	D01433	10		31-51-43	D04507J	10		N2	2		
682	24	PK	D01433	13		31-51-43	D04347J	46		N2	2		
683	22	PA	D01433	41		31-51-43	SM00081	47	W	N2	1		
684	20	PA	GDX0001	D..	2	31-51-43	D04349J	47		N2	2		
685	24	PK	D00823	58		27-32-12	D01505	A1		N2	2		
686	24	PK	D00823	8		27-32-11	SM00038		W	N2	1		
687	24	PK	D00823	64		27-32-11	SM00081		W	N2	1		
688	24	PK	D01381	58		27-32-22	D01503	A1		N2	2		
689	24	PK	D01381	45		27-32-22	SM00085		W	N2	1		
692	24	PK	D01381	8		27-32-21	SM00038		W	N2	1		
693	24	PK	D04347J	30		31-51-21	D00815	6		N2	2		
694	22	PA	D04349J	46		31-51-43	SM00081		W	N2	1		
696	20	PA	GDX0003	D..	2	27-32-12	SM00082		W	N2	1		
697	20	PA	GDX0003	D..	2	27-32-22	SM00085		W	N2	1		
701	24	PK	D00815	49		31-51-21	D00815	22		N2			
702	24	PK	D00815	16		31-51-21	D00815	48		N2			
703	24	PK	D00819	6		31-51-41	SM00019		W	N2	1		
704	24	PK	SM00075		W	31-51-41	D04511J	14		N2	1		
705	24	PK	D00819	45		31-51-41	D04511J	12		N2	2		
706	24	PK	D00819	10		31-51-41	D04349J	31		N2	2		
707	24	PK	D00819	21		31-51-41	D04509J	4		N2	2		
708	24	PK	D00819	9		31-51-41	D04349J	7		N2	2		
709	24	PK	D00819	39		31-51-41	SM00044		W	N2	1		
710	24	PK	D00819	43		31-51-41	SM00037		W	N2	1		
711	24	PK	D00819	12		31-51-41	D04349J	21		N2	2		

286T0045-0BY
Wire Bundle Assembly
Figure 152 (Sheet 15)

25-71-02



BOEING
COMPONENT
MAINTENANCE MANUAL

WIRE		FROM EQUIPMENT			TO EQUIPMENT			WIRE INFO					
NUMBER	GA	TYP	NUMBER	TERM	TT	WDM REF	NUMBER	TERM	TT	EMC	FT	NOTE	EFFECTIVITY
712	24	PK	D00819	53		31-51-41	D04349J	3		N2	2		
713	24	PK	D00819	20		31-51-41	D04347J	9		N2	2		
714	24	PK	D00819	44		31-51-41	D04349J	24		N2	2		
715	24	PK	D04507J	6		31-51-42	SM00019		W	N2	1		
716	24	PK	D01433	34		31-51-42	SM00019		W	N2	1		
717	24	PK	D01433	37		31-51-42	SM00034		W	N2	1		
718	24	PK	D01433	39		31-51-42	D04509J	2		N2	2		
720	24	PK	D01433	52		31-51-42	SM00040		W	N2	1		
721	24	PK	D01433	38		31-51-42	D04347J	24		N2	2		
722	24	PK	D01433	5		31-51-42	D04349J	22		N2	2		
723	24	PK	D04511J	11		31-51-42	SM00038		W	N2	1		
724	24	PK	D01433	40		31-51-42	SM00038		W	N2	1		
725	24	PK	D01433	3		31-51-42	D04347J	13		N2	2		
726	22	PA	D04347J	14		31-51-21	SM00036		W	N2	1		
727	22	PA	D04301J	11		31-51-21	SM00035		W	N2	1		
728	24	PK	D04347J	1		31-51-41	D00819	35		N2	2		
729	24	PK	D04347J	2		31-51-41	D00819	1		N2	2		
730	24	PK	D04347J	3		31-51-41	D00819	36		N2	2		
731	24	PK	D04347J	4		31-51-41	D00819	2		N2	2		
732	24	PK	D04347J	5		31-51-42	D01433	20		N2	2		
733	24	PK	D04347J	16		34-16-11	D00821	65		N2	2		
734	24	PK	D04347J	8		31-51-31	SM00046		W	N2	1		
735	24	PK	D04507J	7		34-16-11	D00821	34		N2	2		
736	24	PK	D04507J	2		34-16-11	D00821	66		N2	2		
737	24	PK	SM00041		W	34-16-11	D00821	31		N2	1		
738	24	PK	D04347J	19		34-16-11	D00821	7		N2	2		
739	24	PK	SM00075		W	34-16-11	D00821	6		N2	1		
741	24	PK	D00821	18		34-16-11	D00821	22		N2			
742	24	PK	D00821	50		34-16-11	D00821	48		N2			
746	24	PK	D04597J	10		31-51-31	SM00043		W	N2	1		
747	24	PK	D01487	46		31-51-31	SM00043		W	N2	1		

286T0045-0BY
Wire Bundle Assembly
Figure 152 (Sheet 16)

25-71-02

TESTING & TROUBLE SHOOTING

01

Page 208Y

Nov 01/02

WIRE			FROM EQUIPMENT			TO EQUIPMENT			WIRE INFO				
NUMBER	GA	TYP	NUMBER	TERM	TT	WDM REF	NUMBER	TERM	TT	EMC	FT	NOTE	EFFECTIVITY
748	24	PK	D04347J	7		31-51-31	SM00045		W	N2	1		
749	24	PK	D01487	10		31-51-31	SM00045		W	N2	1		
750	24	PK	D01487	19		31-51-31	SM00046		W	N2	1		
751	24	PK	D01487	13		31-51-31	SM00040		W	N2	1		
752	24	PK	D01487	47		31-51-31	SM00044		W	N2	1		
753	24	PK	D01487	51		31-51-31	SM00041		W	N2	1		
755	24	PV	D01487	1		31-51-31	SM00035		W	N2	1		
755Z			D01487	DED		31-51-31	SM00035	DED		N2			
756	24	PK	D01487	50		31-51-31	SM00036		W	N2	1		
757	24	PK	D01487	49		31-51-31	SM00039		W	N2	1		
758	24	PK	D01487	22		31-51-31	D01489	23		N2	2		
759	24	PK	D01487	55		31-51-31	D01489	47		N2	2		
760	24	PK	D01487	34		31-51-31	D01489	51		N2	2		
761	24	PK	D01487	66		31-51-31	D01489	57		N2	2		
762	24	PK	D00817	10		31-51-32	SM00045		W	N2	1		
763	24	PK	D00817	46		31-51-32	SM00043		W	N2	1		
764	24	PV	D00817	1		31-51-32	SM00035		W	N2	1		
764Z			D00817	DED		31-51-32	SM00035	DED		N2			
765	24	PK	D00817	50		31-51-32	SM00036		W	N2	1		
766	24	PV	D00817	49		31-51-32	SM00053		W	N2	1		
766Z			D00817	DED		31-51-32	SM00053	DED		N2			
767	24	PK	D00817	19		31-51-32	SM00046		W	N2	1		
768	24	PK	D00817	13		31-51-32	SM00040		W	N2	1		
769	24	PK	D00817	47		31-51-32	SM00044		W	N2	1		
770	24	PK	D00817	51		31-51-32	SM00041		W	N2	1		
772	24	PK	D00817	22		31-51-32	D01489	54		N2	2		
773	24	PK	D00817	55		31-51-32	D01489	13		N2	2		
774	24	PK	D00817	34		31-51-32	D01489	25		N2	2		
775	24	PK	D00817	66		31-51-32	D01489	58		N2	2		
776	24	PK	D01489	42		31-51-33	D04347J	15		N2	2		
777	24	PK	D01489	8		31-51-33	D04349J	13		N2	2		

286T0045-0BY
Wire Bundle Assembly
Figure 152 (Sheet 17)

25-71-02



BOEING
COMPONENT
MAINTENANCE MANUAL

WIRE			FROM EQUIPMENT			TO EQUIPMENT			WIRE INFO				
NUMBER	GA	TYP	NUMBER	TERM	TT	WDM REF	NUMBER	TERM	TT	EMC	FT	NOTE	EFFECTIVITY
779	24	PK	D01489	35		31-51-33	D04349J	40		N2	2		
780	24	PK	D01489	53		31-51-33	D04349J	2		N2	2		
781	24	PK	D01489	31		31-51-33	D01489	48		N2			
782	24	PK	D01489	18		31-51-33	D01489	22		N2			
783	24	PK	D01489	38		31-51-33	SM00008		W	N2	1		
784	24	PK	D01489	4		31-51-33	SM00011		W	N2	1		
785	24	PK	D01489	37		31-51-33	SM00012		W	N2	1		
787	24	PK	D01489	1		31-51-33	SM00009		W	N2	1		
788	24	PK	D01489	6		31-51-33	SM00034		W	N2	1		
789	24	PK	D01489	41		31-51-33	D04509J	11		N2	2		
793	24	PK	D00819	11		31-51-41	SM00075		W	N2	1		
794	20	PA	D04303J	10		31-51-32	GDX0004	S..	2	N2	2		
795	24	PK	D01433	9		31-51-42	D01433	48		N2			
796	24	PK	D01433	22		31-51-42	D01433	50		N2			
797	24	PV	D00815	41		31-51-21	SM00053		W	N2	1		
797Z			D00815	DED		31-51-21	SM00053	DED		N2			
798	24	PV	D04349J	9		31-51-21	SM00053		W	N2	1		
798Z			D04349J	DED		31-51-21	SM00053	DED		N2			
817	24	PK	D00823	55		27-32-12	D11553	6		N2	2		
818	24	PK	D00823	21		27-32-12	D11553	4		N2	2		
819	24	PK	D00823	51		27-32-12	D11553	3		N2	2		
820	24	PK	D00823	50		27-32-12	D11553	2		N2	2		
821	24	PK	D00823	49		27-32-12	D11553	7		N2	2		
822	24	PK	D00823	47		27-32-12	D11553	8		N2	2		
823	24	PK	D00823	46		27-32-12	D11553	9		N2	2		
824	24	PK	D00823	53		27-32-12	D11553	5		N2	2		
825	24	PK	D00823	62		27-32-12	D11553	24		N2	2		
826	24	PK	D01381	55		27-32-22	D11553	16		N2	2		
827	24	PK	D01381	21		27-32-22	D11553	14		N2	2		
828	24	PK	D01381	51		27-32-22	D11553	13		N2	2		
829	24	PK	D01381	50		27-32-22	D11553	12		N2	2		

286T0045-0BY
Wire Bundle Assembly
Figure 152 (Sheet 18)

25-71-02

TESTING & TROUBLE SHOOTING

01

Page 209

Nov 01/02

WIRE			FROM EQUIPMENT			TO EQUIPMENT			WIRE INFO				
NUMBER	GA	TYP	NUMBER	TERM	TT	WDM REF	NUMBER	TERM	TT	EMC	FT	NOTE	EFFECTIVITY
830	24	PK	D01381	49		27-32-22	D11553	17		N2	2		
831	24	PK	D01381	47		27-32-22	D11553	18		N2	2		
832	24	PK	D01381	46		27-32-22	D11553	19		N2	2		
833	24	PK	D01381	53		27-32-22	D11553	15		N2	2		
834	24	PK	D01381	62		27-32-22	D11553	34		N2	2		
835	24	PK	D04349J	50		27-32-21	D01381	64		N2	2		
836	20	PA	D04349J	53		27-32-21	GDX0002	S..	2	N2	2		
837	24	PK	D00823	42		27-32-12	SM00082		W	N2	1		
838	24	PK	D01381	42		27-32-22	SM00085		W	N2	1		
842	24	PK	D01381	6		27-32-22	SM00085		W	N2	1		
843	24	PK	D00823	6		27-32-12	SM00082		W	N2	1		
862	22	PA	D02261	30		31-41-35	GDX0006	S..	2	N2	1		
863	22	PA	D02261	32		31-41-35	GDX0006	S..	2	N2	1		
864	22	PA	D02261	33		31-41-35	GDX0006	S..	2	N2	1		
865	22	PA	D02261	64		31-41-35	GDX0006	S..	2	N2	1		
866	24	PV	D02261	27		31-51-11	SM00018		W	N2	1		
866Z			D02261	DED		31-51-11	SM00018	REF		N2			
867	24	PV	D02261	28		31-51-11	SM00047		W	N2	1		
867Z			D02261	DED		31-51-11	SM00047	REF		N2			
868	24	PV	D02261	29		31-51-12	SM00054		W	N2	1		
868Z			D02261	DED		31-51-12	SM00054	REF		N2			
869	24	PK	D02261	34		31-51-12	SM00025		W	N2	1		
870	22	PA	D02261	56		31-51-12	GDX0001	S..	2	N2	2		
871	22	PA	D02261	57		31-51-12	GDX0003	S..	2	N2	2		
872	22	PA	D02261	59		31-51-11	GDX0005	S..	2	N2	1		
873	24	PV	D02261	60		31-51-12	SM00055		W	N2	1		
873Z			D02261	DED		31-51-12	SM00055	REF		N2			
874	24	PV	D02261	62		31-51-11	SM00049		W	N2	1		
874Z			D02261	DED		31-51-11	SM00049	REF		N2			
875	24	PV	D02261	63		31-51-12	SM00056		W	N2	1		
875Z			D02261	DED		31-51-12	SM00056	REF		N2			

 286T0045-0BY
 Wire Bundle Assembly
 Figure 152 (Sheet 19)

25-71-02



BOEING
COMPONENT
MAINTENANCE MANUAL

WIRE			FROM EQUIPMENT			TO EQUIPMENT			WIRE INFO				
NUMBER	GA	TYP	NUMBER	TERM	TT	WDM REF	NUMBER	TERM	TT	EMC	FT	NOTE	EFFECTIVITY
876	24	PK	D02261	65		31-51-11	SM00022		W	N2	1		
877	24	PV	D00811	14		31-51-11	SM00018		W	N2	2		
877Z			D00811	DED		31-51-11	SM00018	REF	W	N2	2		
878	24	PV	D00811	48		31-51-11	SM00047		W	N2	2		
878Z			D00811	DED		31-51-11	SM00047	REF	W	N2	2		
879	24	PV	D00811	23		31-51-11	SM00049		W	N2	2		
879Z			D00811	DED		31-51-11	SM00049	REF	W	N2	2		
880	24	PV	D00813	14		31-51-12	SM00054		W	N2	2		
880Z			D00813	DED		31-51-12	SM00054	REF	W	N2	2		
881	24	PV	D00813	48		31-51-12	SM00055		W	N2	2		
881Z			D00813	DED		31-51-12	SM00055	REF	W	N2	2		
882	24	PV	D00813	23		31-51-12	SM00056		W	N2	2		
882Z			D00813	DED		31-51-12	SM00056	REF	W	N2	2		
885	24	PK	D04303J	9		31-51-21	SM00057		W	N2	1		
886	24	PK	D04507J	3		31-51-21	SM00058		W	N2	1		
887	24	PK	D04507J	1		31-51-21	SM00058		W	N2	1		
888	24	PK	SM00057		W	31-51-21	D04349J	25		N2	1		

286T0045-0BY
Wire Bundle Assembly
Figure 152 (Sheet 20)

25-71-02

TESTING & TROUBLE SHOOTING
01 Page 210A
Nov 01/02

WIRE			FROM EQUIPMENT			TO EQUIPMENT			WIRE INFO				
NUMBER	GA	TYP	NUMBER	TERM	TT	WDM REF	NUMBER	TERM	TT	EMC	FT	NOTE	EFFECTIVITY
FRB			D00813			31-51-12	D00813			N2			
FRD			D00811			31-51-11	D00811			N2			
FRG			D04349J	58		31-63-41	D04349J	58		N2			
FRH			D04349J	61		28-41-11	D04349J	61		N2			
PA1			D00815	47		99-99-99	D00815	47		N2		DAW-B2	
PA2			D00817	8		99-99-99	D00817	8		N2		DAW-B2	
PA3			D00819	41		99-99-99	D00819	41		N2		DAW-B2	
PA4			D00821	43		99-99-99	D00821	43		N2		DAW-B2	
PA5			D00823	52		99-99-99	D00823	52		N2		DAW-B2	
PA6			D01433	44		99-99-99	D01433	44		N2		DAW-B2	
PA7			D01381	52		99-99-99	D01381	52		N2		DAW-B2	
PA8			D01487	8		99-99-99	D01487	8		N2		DAW-B2	
PA9			D01489	56		99-99-99	D01489	56		N2		DAW-B2	
PB4			D02261	54		99-99-99	D02261	54		N2		DAW-B2	
P01		SE	D11553							N2			
1	22	PA	D00811	60		31-51-11	GDX0007	60	1	N2	3		
2	22	PA	D00821	14		31-51-11	GDX0002	14	1	N2	2		
3	24	Y1	D00811	26		31-51-11	D00821	26		N2	3		
003Z			D00811	DED		31-51-11	D00821	DED		N2			
4	24	Y1	D00811	49		31-51-11	D00821	49		N2	3		
004Z			D00811	DED		31-51-11	D00821	DED		N2			
5	24	Y1	D00811	35		31-51-11	D00821	35		N2	3		
005Z			D00811	DED		31-51-11	D00821	DED		N2			
6	24	PK	SM00022	65	9	31-51-11	D00821	65	9	N2	3		
7	24	PK	D00811	37		31-51-11	SM00022	37	9	N2	2		
8	24	PK	D00819	27		31-51-11	SM00022	27		N2	3		
9	24	Y1	D00819	27		31-51-11	D00811	27		N2	3		
009Z			D00819	DED		31-51-11	D00811	DED		N2			
10	22	PA	D00819	14		31-51-11	GDX0007	14	1	N2	2		
11	24	PK	D01433	51		31-51-11	SM00022	51	9	N2	2		
12	24	Y1	SM00018	9		31-51-11	D01433	9		N2	1		

286T0045-0CB
Wire Bundle Assembly
Figure 153 (Sheet 1)

25-71-02



BOEING
COMPONENT
MAINTENANCE MANUAL

WIRE			FROM EQUIPMENT			TO EQUIPMENT			WIRE INFO				
NUMBER	GA	TYP	NUMBER	TERM	TT	WDM REF	NUMBER	TERM	TT	EMC	FT	NOTE	EFFECTIVITY
012Z			SM00018	REF		31-51-11	D01433	REF		N2			
13	24	Y1	SM00047		W	31-51-11	D01433			N2	1		
013Z			SM00047	REF		31-51-11	D01433	REF		N2			
14	24	Y1	SM00049		W	31-51-11	D01433			N2	1		
014Z			SM00049	REF		31-51-11	D01433	REF		N2			
15	22	PA	D01433	14	W	31-51-11	GDX0007	14	1	N2	2		
16	20	PA	SM00028			31-51-11	GDX0001		1	N2			
17	20	UA	GDX0003	S..	1	31-51-11	D00821	S..		N2	2		
18	20	UA	GDX0006	S..	1	31-51-11	D00819	S..		N2	2		
19	20	UA	D01433			31-51-11	GDX0002		1	N2	2		
20	20	PA	GDX0001	D..	1	31-51-11	SM00029	D..	W	N2	2		
21	20	UA	GDX0003	S..	1	31-51-11	D01503	S..		N2	2		
23	20	UA	D00815			31-51-11	GDX0002		1	N2	2		
24	24	PK	D04349J	38		31-51-11	SM00005	38	W	N2	1		
25	24	PK	D01503	A2		31-51-11	SM00005	A2	W	N2	1		
26	20	PA	D01503	A3		31-51-11	GDX0003	A3	1	N2	2		
27	22	X1	D01503	X2		31-51-11	D00811	X2		N2	4		
027Z			D01503			31-51-11	D00811			N2			
28	24	Y1	D01503	X1		31-51-11	SM00015	X1	W	N2	1		
028Z			SM00015	REF		31-51-11	D01503	REF		N2			
29	24	Y1	D00811	46		31-51-11	SM00015	46	W	N2	2		
029Z			SM00015	REF		31-51-11	D00811	REF		N2			
30	24	PK	SM00015		W	31-51-11	D11553			N2	1		
32	20	PA	D11553	11		31-51-11	GDX0004	11	1	N2	2		
33	24	PK	D11553	37		31-51-11	D00811	37		N2	4		
34	24	PK	D11553	36		31-51-11	D00811	36		N2	4		
35	22	PA	D00815	14		31-51-11	GDX0007	14	1	N2	2		
36	24	Y1	D00815	27		31-51-11	D00811	27		N2	3		
036Z			D00815			31-51-11	D00811			N2			
37	24	Y1	D00815	32		31-51-11	D00811	32		N2	3		
037Z			D00815			31-51-11	D00811			N2			

286T0045-OCB
Wire Bundle Assembly
Figure 153 (Sheet 2)

25-71-02

TESTING & TROUBLE SHOOTING

01

Page 210C

Nov 01/02

WIRES			FROM EQUIPMENT			TO EQUIPMENT			WIRE INFO				
NUMBER	GA	TYP	NUMBER	TERM	TT	WDM REF	NUMBER	TERM	TT	EMC	FT	NOTE	EFFECTIVITY
38	24	Y1	D00815	17		31-51-11	D00811	17		N2	3		
038Z			D00815			31-51-11	D00811			N2			
39	24	PK	D00815	54		31-51-11	SM00020	54	9	N2	3		
40	24	PK	D00811	63		31-51-11	SM00020	63	9	N2	2		
41	24	PK	D00823	35		31-51-11	SM00020	35	9	N2	2		
42	24	PK	D01381	35		31-51-11	SM00020	35	9	N2	2		
45	22	PA	D01381	14		31-51-11	GDX0007	14	1	N2	2		
46	22	PA	D01381	48		31-51-11	GDX0004	48	1	N2	2		
47	24	Y1	D01381	27		31-51-11	D00811	27		N2	3		
047Z			D01381			31-51-11	D00811			N2			
48	24	Y1	D01381	32		31-51-11	D00811	32		N2	3		
048Z			D01381			31-51-11	D00811			N2			
49	24	Y1	D01381	17		31-51-11	D00811	17		N2	3		
049Z			D01381			31-51-11	D00811			N2			
52	22	PA	D00823	14		31-51-11	GDX0007	14	1	N2	2		
53	22	PA	D00823	48		31-51-11	GDX0004	48	1	N2	2		
54	24	Y1	D00823	27		31-51-11	D00811	27		N2	3		
054Z			D00823			31-51-11	D00811			N2			
55	24	Y1	D00823	32		31-51-11	D00811	32		N2	3		
055Z			D00823			31-51-11	D00811			N2			
56	24	Y1	D00823	17		31-51-11	D00811	17		N2	3		
056Z			D00823			31-51-11	D00811			N2			
57	22	PA	D00817	14		31-51-11	GDX0002	14	1	N2	2		
58	24	Y1	D00817	27		31-51-11	D00811	27		N2	3		
058Z			D00817			31-51-11	D00811			N2			
59	24	Y1	D00817	32		31-51-11	D00811	32		N2	3		
059Z			D00817			31-51-11	D00811			N2			
60	24	PK	D00817	45		31-51-11	SM00021	45	9	N2	2		
61	24	PK	D00811	64		31-51-11	SM00021	64	9	N2	3		
62	24	PK	D01489	16		31-51-11	SM00021	16	9	N2	2		
63	24	PK	D01487	45		31-51-11	SM00021	45	9	N2	2		

286T0045-0CB
Wire Bundle Assembly
Figure 153 (Sheet 3)

25-71-02



BOEING
COMPONENT
MAINTENANCE MANUAL

WIRE			FROM EQUIPMENT			TO EQUIPMENT			WIRE INFO				
NUMBER	GA	TYP	NUMBER	TERM	TT	WDM REF	NUMBER	TERM	TT	EMC	FT	NOTE	EFFECTIVITY
64	24	Y1	D01487	27		31-51-11	D00811	27		N2	3		
064Z			D01487			31-51-11	D00811			N2			
65	24	Y1	D01487	32		31-51-11	D00811	32		N2	3		
065Z			D01487			31-51-11	D00811			N2			
66	22	PA	D01487	14		31-51-11	GDX0004	14	1	N2	2		
67	24	Y1	D01489	27		31-51-11	D00811	27		N2	3		
067Z			D01489			31-51-11	D00811			N2			
68	24	Y1	D01489	32		31-51-11	D00811	32		N2	3		
068Z			D01489			31-51-11	D00811			N2			
69	24	Y1	D01489	17		31-51-11	D00811	17		N2	3		
069Z			D01489			31-51-11	D00811			N2			
70	22	PA	D01489	14		31-51-11	GDX0003	14	1	N2	2		
71	20	UA	D01381			31-51-11	GDX0002		1	N2	2		
72	20	UA	D00823			31-51-11	GDX0003		1	N2	2		
73	20	UA	D00817			31-51-11	GDX0002		1	N2	2		
74	20	PA	SM00026		W	31-51-11	GDX0001		1	N2	2		
75	20	UA	D01487			31-51-11	GDX0006		1	N2	2		
76	20	UA	GDX0006	S..	1	31-51-11	D01489	S..		N2	2		
77	24	PK	D02261	40		31-63-41	D04349J	40		N2	2		
78	20	PA	SM00027		W	31-51-11	GDX0001		1	N2	2		
79	22	PA	D00813	60		31-51-12	GDX0004	60	1	N2	2		
80	22	PA	D00821	15		31-51-12	GDX0003	15	1	N2	2		
81	24	Y1	D00821	30		31-51-12	D00813	30		N2	3		
081Z			D00821			31-51-12	D00813			N2			
82	24	Y1	D00821	33		31-51-12	D00813	33		N2	3		
082Z			D00821			31-51-12	D00813			N2			
83	24	Y1	D00821	24		31-51-12	D00813	24		N2	3		
083Z			D00821			31-51-12	D00813			N2			
84	24	PK	D00821	19		31-51-12	SM00025	19	9	N2	3		
85	24	PK	D00813	65		31-51-12	SM00025	65	9	N2	3		
86	24	PK	D00819	3		31-51-12	SM00025	3	9	N2	2		

286T0045-OCB
Wire Bundle Assembly
Figure 153 (Sheet 4)

25-71-02

TESTING & TROUBLE SHOOTING

01

Page 210E

Nov 01/02

WIRE			FROM EQUIPMENT			TO EQUIPMENT			WIRE INFO				
NUMBER	GA	TYP	NUMBER	TERM	TT	WDM REF	NUMBER	TERM	TT	EMC	FT	NOTE	EFFECTIVITY
87	24	PK	D01433	18		31-51-12	SM00025	18	9	N2	2		
88	22	PA	D01433	15		31-51-12	GDX0003	15	1	N2	2		
89	24	Y1	D01433	30		31-51-12	SM00054	30	W	N2	1		
089Z			SM00054	REF		31-51-12	D01433	REF		N2			
90	24	Y1	D01433	33		31-51-12	SM00055	33	W	N2	1		
090Z			SM00055	REF		31-51-12	D01433	REF		N2			
91	24	Y1	D01433	24		31-51-12	SM00056	24	W	N2	1		
091Z			SM00056	REF		31-51-12	D01433	REF		N2			
92	22	PA	D00819	15		31-51-12	GDX0003	15	1	N2	2		
93	24	Y1	D00819	30		31-51-12	D00813	30		N2	3		
093Z			D00819			31-51-12	D00813			N2			
94	20	PA	SM00032		W	31-51-12	GDX0001		1	N2			
95	24	Y1	D01505	X2		31-51-12	D00813	X2		N2	3		
095Z			D01505			31-51-12	D00813			N2			
96	24	Y1	D01505	X1		31-51-12	SM00016	X1	W	N2	1		
096Z			SM00016	REF		31-51-12	D01505	REF		N2			
97	24	Y1	D00813	46		31-51-12	SM00016	46	W	N2	2		
097Z			SM00016	REF		31-51-12	D00813	REF		N2			
98	20	PA	SM00033		W	31-51-12	GDX0001		1	N2			
99	24	PK	SM00016		W	31-51-12	D11553			N2	1		
10D	24	PK	D04511J	20		27-32-11	D00823	20		N2	2		
100	20	PA	D11553	1		31-51-12	GDX0004	1	1	N2	2		
101	20	UA	D00821			31-51-12	GDX0005		1	N2	2		
102	20	UA	D00819			31-51-12	GDX0005		1	N2	2		
103	20	UA	D01433			31-51-12	GDX0005		1	N2	2		
104	20	UA	D01505			31-51-12	GDX0006		1	N2	2		
106	20	UA	D00815			31-51-12	GDX0005		1	N2	2		
107	20	UA	D01381			31-51-12	GDX0005		1	N2	2		
109	20	UA	D00817			31-51-12	GDX0005		1	N2	2		
110	20	UA	D01487			31-51-12	GDX0007		1	N2	2		
111	20	UA	D01489			31-51-12	GDX0007		1	N2	2		

 286T0045-OCB
 Wire Bundle Assembly
 Figure 153 (Sheet 5)

25-71-02



BOEING
COMPONENT
MAINTENANCE MANUAL

WIRE			FROM EQUIPMENT			TO EQUIPMENT			WIRE INFO				
NUMBER	GA	TYP	NUMBER	TERM	TT	WDM REF	NUMBER	TERM	TT	EMC	FT	NOTE	EFFECTIVITY
112	22	PA	D00815	15		31-51-12	GDX0002	15	1	N2	2		
113	24	PK	D01505	A2		31-51-12	SM00005	A2	W	N2	1		
114	20	PA	D01505	A3		31-51-12	GDX0004	A3	1	N2	2		
116	24	PK	D00815	21		31-51-12	SM00023	21	9	N2			
117	24	PK	D00813	63		31-51-12	SM00023	63	9	N2	3		
118	24	PK	D00823	1		31-51-12	SM00023	1	9	N2	2		
119	24	PK	D01381	1		31-51-12	SM00023	1	9	N2	2		
120	22	PA	D01381	15		31-51-12	GDX0007	15	1	N2	2		
121	24	PK	D00817	56		31-51-12	SM00024	56	9	N2			
122	24	PK	D00813	64		31-51-12	SM00024	64	9	N2	3		
123	24	PK	D01487	56		31-51-12	SM00024	56	9	N2	2		
124	22	PA	D00823	15		31-51-12	GDX0002	15	1	N2	2		
125	20	UA	D00823			31-51-12	GDX0005		1	N2	2		
126	24	Y1	D00823	33		31-51-12	D00813	33		N2	3		
126Z			D00823			31-51-12	D00813			N2			
127	24	Y1	D00823	24		31-51-12	D00813	24		N2	3		
127Z			D00823			31-51-12	D00813			N2			
128	22	PA	D00817	15		31-51-12	GDX0003	15	1	N2	2		
129	24	Y1	D00817	30		31-51-12	D00813	30		N2	3		
129Z			D00817			31-51-12	D00813			N2			
130	24	Y1	D00817	33		31-51-12	D00813	33		N2	3		
130Z			D00817			31-51-12	D00813			N2			
131	24	Y1	D00813	11		31-51-12	D01381	11		N2	3		
131Z			D00813	DED		31-51-12	D01381	DED		N2			
132	24	Y1	D00813	16		31-51-12	D01381	16		N2	3		
132Z			D00813	DED		31-51-12	D01381	DED		N2			
133	24	Y1	D01381	24		31-51-12	D00813	24		N2	3		
133Z			D01381			31-51-12	D00813			N2			
134	24	PK	D01489	50		31-51-12	SM00024	50	9	N2	2		
135	24	Y1	D01487	30		31-51-12	D00813	30		N2	3		
135Z			D01487			31-51-12	D00813			N2			

286T0045-OCB
Wire Bundle Assembly
Figure 153 (Sheet 6)

25-71-02

WIRE			FROM EQUIPMENT			TO EQUIPMENT			WIRE INFO				
NUMBER	GA	TYP	NUMBER	TERM	TT	WDM REF	NUMBER	TERM	TT	EMC	FT	NOTE	EFFECTIVITY
136	24	Y1	D01487	33		31-51-12	D00813	33		N2	3		
136Z			D01487			31-51-12	D00813			N2			
137	22	PA	D01487	15		31-51-12	GDX0004	15	1	N2	2		
138	24	Y1	D01489	30		31-51-12	D00813	30		N2	3		
138Z			D01489			31-51-12	D00813			N2			
139	24	Y1	D01489	33		31-51-12	D00813	33		N2	3		
139Z			D01489			31-51-12	D00813			N2			
140	24	Y1	D01489	24		31-51-12	D00813	24		N2	3		
140Z			D01489			31-51-12	D00813			N2			
141	22	PA	D01489	15		31-51-12	GDX0004	15	1	N2	2		
142	24	PK	D00813	33		31-51-12	D11553	33		N2	3		
143	24	PK	D11553	27		31-51-12	D00813	27		N2	3		
144	24	Y1	D00813	12		31-51-12	D00815	12		N2	3		
144Z			D00813	DED		31-51-12	D00815	DED		N2			
145	20	PA	SM00030		W	31-51-12	GDX0001		1	N2	3		
146	24	Y1	D00813	17		31-51-12	D00815	17		N2	3		
146Z			D00813	DED		31-51-12	D00815	DED		N2			
147	24	Y1	D00813	22		31-51-12	D00815	22		N2	3		
147Z			D00813	DED		31-51-12	D00815	DED		N2			
148	24	Y1	D00813	10		31-51-12	D00823	10		N2	3		
148Z			D00813	DED		31-51-12	D00823	DED		N2			
149	20	PA	SM00031		W	31-51-12	GDX0001		1	N2	2		
150	22	X1	D04511J	27		27-32-11	D00823	27		S2	2		
150Z			D04511J	DED		27-32-11	D00823	DED		S2			
151	24	PK	D04509J	1		27-32-11	D00823	1		N2	2		
152	24	PK	D04347J	26		27-32-11	D00823	26		N2	2		
153	24	PK	D00823	31		27-32-11	D04511J	31		N2	2		
154	20	PA	D04511J	26		27-32-11	GDX0007	26	1	N2	2		
155	24	PK	SM00037		W	27-32-11	D04511J			N2	1		
156	24	PK	D00823	38		27-32-11	D04511J	38		N2	2		
157	24	PK	D04511J	4		27-32-11	SM00050	4	W	N2	1		

286T0045-OCB
Wire Bundle Assembly
Figure 153 (Sheet 7)

25-71-02



BOEING
COMPONENT
MAINTENANCE MANUAL

WIRE		FROM EQUIPMENT			TO EQUIPMENT			WIRE INFO					
NUMBER	GA	TYP	NUMBER	TERM	TT	WDM REF	NUMBER	TERM	TT	EMC	FT	NOTE	EFFECTIVITY
158	24	PK	SM00037		W	27-32-11	D00823			N2	1		
159	24	PK	D04349J	14		27-32-11	D00823	14		N2	1		
160	24	PK	D04349J	15		27-32-11	D00823	15		N2	1		
161	24	PK	D04349J	16		27-32-11	D00823	16		N2	1		
162	24	PK	D04349J	10		27-32-11	D00823	10		N2	1		
165	22	X1	D04349J	11		27-32-21	D01381	11		R2	2		
165Z			D04349J	DED		27-32-21	D01381	DED		R2			
166	24	PK	D01381	40		27-32-21	D04349J	40		N2	2		
167	24	PK	D01381	31		27-32-21	D04511J	31		N2	2		
168	20	PA	GDX0002	D..	1	27-32-21	D04511J	D..		N2	2		
169	24	PK	D04349J	34		27-32-21	D01381	34		N2	2		
170	24	PK	D04349J	35		27-32-21	D01381	35		N2	2		
171	24	PK	D04349J	36		27-32-21	D01381	36		N2	2		
172	24	PK	D04349J	37		27-32-21	D01381	37		N2	2		
173	24	PK	D04511J	13		27-32-21	D01381	13		N2	2		
174	24	PK	D04511J	16		27-32-21	D01381	16		N2	2		
175	24	PK	D04511J	15		27-32-21	D01381	15		N2	2		
176	24	PK	D04509J	8		27-32-21	D01381	8		N2	2		
177	24	PK	D00815	34		31-51-21	SM00057	34	9	N2	2		
178	24	PK	D00815	43		31-51-21	D01433	43		N2	2		
179	24	PK	D00815	10		31-51-21	D00819	10		N2	2		
180	24	PK	D04507J	5		31-51-21	SM00034	5	9	N2	2		
181	24	PK	SM00058		9	31-51-21	D00815			N2			
182	24	PK	D00815	4		31-51-21	SM00034	4	9	N2	2		
183	24	PK	D00815	11		31-51-21	D04349J	11		N2	2		
184	22	PA	D00815	37		31-51-21	SM00035	37	9	N2	2		
185	22	PA	D00815	42		31-51-21	SM00036	42	9	N2	2		
186	24	PK	D04349J	5		31-51-21	SM00012	5	9	N2	2		
187	24	PK	D00815	2		31-51-21	SM00012	2	9	N2	3		
188	24	PK	SM00011		9	31-51-21	D04349J			N2	2		
189	24	PK	SM00011		9	31-51-21	D00815			N2	3		

286T0045-OCB
Wire Bundle Assembly
Figure 153 (Sheet 8)

25-71-02

TESTING & TROUBLE SHOOTING
01 Page 210I

Nov 01/02

WIRE			FROM EQUIPMENT				TO EQUIPMENT				WIRE INFO			
NUMBER	GA	TYP	NUMBER	TERM	TT	WDM REF	NUMBER	TERM	TT	EMC	FT	NOTE	EFFECTIVITY	
190	24	PK	D04349J	12		31-51-21	SM00009	12	9	N2	2			
191	24	PK	D00815	44		31-51-21	SM00009	44	9	N2	3			
192	24	PK	D04347J	10		31-51-21	SM00008	10	9	N2	2			
193	24	PK	D00815	1		31-51-21	SM00008	1	9	N2	3			
194	24	PK	D04347J	11		31-51-21	SM00010	11	9	N2	2			
195	24	PK	D00815	36		31-51-21	SM00010	36	9	N2	3			
196	24	PK	SM00039		9	31-51-21	D04597J	45	9	N2	2			
197	24	PK	D00815	45		31-51-21	SM00039	45	9	N2	2			
198	24	PK	D00815	46		31-51-21	D04347J	46	9	N2	2			
199	20	PA	GDX0005	S..	1	31-51-31	D04597J	S..		N2	2			
201B	24	Y2	D01489	43		31-51-33	SM00004	43	9	N2	2			
201R	24	Y2	D01489	9		31-51-33	SM00003	9	9	N2	2			
201Z			D01489	DED		31-51-33	SM00003	DED		N2	2			
204	20	UA	D04507J			27-32-11	GDX0004		1	N2	2			
204B	24	Y2	D00823	18		27-32-11	D04507J	18		N2	1			
204R	24	Y2	D00823	16		27-32-11	D04507J	16		N2	2			
204Z			D00823	DED		27-32-11	D04507J	DED		N2	2			
205B	24	Y2	D00815	19		31-51-21	SM00007	19	9	N2	3			
205R	24	Y2	D00815	52		31-51-21	SM00006	52	9	N2	2			
205Z			D00815	DED		31-51-21	SM00006	DED		N2	2			
207	20	UA	D04597J			31-51-21	GDX0005		1	N2	2			
207B	24	Y2	SM00007		9	31-51-21	D04597J			N2	2			
207R	24	Y2	SM00006		9	31-51-21	D04597J			N2	2			
207Z			SM00006	REF		31-51-21	D04597J	REF		N2	2			
208	20	UA	D04511J			34-16-11	GDX0003		1	N2	2			
208B	24	Y2	D00821	36		34-16-11	D04511J	36		N2	2			
208R	24	Y2	D00821	2		34-16-11	D04511J	2		N2	2			
208Z			D00821	DED		34-16-11	D04511J	DED		N2	2			
209B	24	Y2	D01489	46		31-51-33	SM00007	46	9	N2	2			
209R	24	Y2	D01489	12		31-51-33	SM00006	12	9	N2	2			
209Z			D01489	DED		31-51-33	SM00006	DED		N2	2			

286T0045-0CB
Wire Bundle Assembly
Figure 153 (Sheet 9)

25-71-02



BOEING
COMPONENT
MAINTENANCE MANUAL

WIRE			FROM EQUIPMENT			TO EQUIPMENT			WIRE INFO				
NUMBER	GA	TYP	NUMBER	TERM	TT	WDM REF	NUMBER	TERM	TT	EMC	FT	NOTE	EFFECTIVITY
212B	24	Y2	D01433	36		31-51-42	SM00007	36	9	N2	2		
212R	24	Y2	D01433	2		31-51-42	SM00006	2	9	N2			
212Z			D01433	DED		31-51-42	SM00006	DED		N2			
213	20	UA	D04507J			34-16-11	GDX0006		1	N2	2		
213B	24	Y2	D00821	35		34-16-11	D04507J	35		N2	2		
213R	24	Y2	D00821	1		34-16-11	D04507J	1		N2			
213Z			D00821	DED		34-16-11	D04507J	DED		N2			
214	20	UA	D04349J			34-16-11	GDX0006		1	N2	2		
214B	24	Y2	D00821	37		34-16-11	D04349J	37		N2	2		
214R	24	Y2	D00821	3		34-16-11	D04349J	3		N2			
214Z			D00821	DED		34-16-11	D04349J	DED		N2			
215B	24	PL	D01487	24		31-51-31	D04597J	24		N2	2		
215R	24	PL	D01487	23		31-51-31	D04597J	23		N2			
216B	24	PL	D00817	24		31-51-32	D04303J	24		N2	2		
216R	24	PL	D00817	23		31-51-32	D04303J	23		N2			
221B	24	Y2	D01489	45		31-51-33	SM00004	45	9	N2			
221R	24	Y2	D01489	11		31-51-33	SM00003	11	9	N2			
221Z			D01489	DED		31-51-33	SM00003	DED		N2			
223B	24	Y2	D00821	38		34-16-11	SM00004	38	9	N2	2		
223R	24	Y2	D00821	4		34-16-11	SM00003	4	9	N2			
223Z			D00821	DED		34-16-11	SM00003	DED		N2			
224	20	UA	D04349J			27-32-21	GDX0005		1	N2	2		
224B	24	Y2	D04349J	28		27-32-21	D01381	28		N2	2		
224R	24	Y2	D04349J	27		27-32-21	D01381	27		N2			
224Z			D04349J			27-32-21	D01381			N2			
225B	22	X2	D00811	69		31-51-11	SM00060	69	W	N2	2		
225R	22	X2	D00811	68		31-51-11	SM00060	68	W	N2			
225Z			D00811	DED		31-51-11	SM00028	DED		N2			
226B	22	X2	D00813	69		31-51-12	SM00061	69	W	N2	2		
226R	22	X2	D00813	68		31-51-12	SM00061	68	W	N2			
226Z			D00813	DED		31-51-12	SM00030	DED		N2			

286T0045-OCB
Wire Bundle Assembly
Figure 153 (Sheet 10)

25-71-02

WIRE			FROM EQUIPMENT			TO EQUIPMENT			WIRE INFO				
NUMBER	GA	TYP	NUMBER	TERM	TT	WDM REF	NUMBER	TERM	TT	EMC	FT	NOTE	EFFECTIVITY
230	20	UA	D04347J			31-51-33	GDX0004		1	N2	2		
230B	24	Y2	D04347J	18		31-51-33	SM00004	18	9	N2	2		
230R	24	Y2	D04347J	17		31-51-33	SM00003	17	9	N2			
230Z			D04347J			31-51-33	SM00003			N2			
236	20	UA	D04347J			27-32-11	GDX0007		1	N2	2		
236B	24	Y2	D04347J	37		27-32-11	D00823	37		N2	2		
236R	24	Y2	D04347J	36		27-32-11	D00823	36		N2			
236Z			D04347J			27-32-11	D00823			N2			
237B	24	Y2	D04347J	40		27-32-11	D00823	40		N2	2		
237R	24	Y2	D04347J	39		27-32-11	D00823	39		N2			
237Z			D04347J			27-32-11	D00823			N2			
238	20	UA	D04349J			27-32-21	GDX0007		1	N2	2		
238B	24	Y2	D04349J	49		27-32-21	D01381	49		N2	2		
238R	24	Y2	D04349J	48		27-32-21	D01381	48		N2			
238Z			D04349J			27-32-21	D01381			N2			
239B	24	Y2	D01381	20		27-32-21	D04349J	20		N2	2		
239R	24	Y2	D01381	19		27-32-21	D04349J	19		N2			
239Z			D01381	DED		27-32-21	D04349J	DED		N2			
240B	24	PL	D04347J	23		31-51-31	SM00080	23	9	N2	2		
240R	24	PL	D04347J	22		31-51-31	SM00042	22	9	N2			
241B	24	PL	D01487	60		31-51-31	SM00080	60	9	N2			
241R	24	PL	D01487	28		31-51-31	SM00042	28	9	N2			
242B	24	PL	D00817	60		31-51-32	SM00080	60	9	N2	2		
242R	24	PL	D00817	28		31-51-32	SM00042	28	9	N2			
243B	24	Y2	D04349J	52		27-32-21	D01381	52		N2	2		
243R	24	Y2	D04349J	51		27-32-21	D01381	51		N2			
243Z			D04349J			27-32-21	D01381			N2			
245B	24	Y2	D00823	20		27-32-11	D04347J	20		N2	2		
245R	24	Y2	D00823	19		27-32-11	D04347J	19		N2			
245Z			D00823	DED		27-32-11	D04347J	DED		N2			
247	20	UA	GDX0006	S..	1	31-63-41	D04349J	S..		N2	2		

286T0045-0CB
Wire Bundle Assembly
Figure 153 (Sheet 11)

25-71-02



BOEING
COMPONENT
MAINTENANCE MANUAL

WIRE			FROM EQUIPMENT			TO EQUIPMENT			WIRE INFO				
NUMBER	GA	TYP	NUMBER	TERM	TT	WDM REF	NUMBER	TERM	TT	EMC	FT	NOTE	EFFECTIVITY
247B	24	Y2	D02261	42		31-63-41	D04349J	42		N2	2		
247R	24	Y2	D02261	43		31-63-41	D04349J	43		N2			
247Z			D02261	DED		31-63-41	D04349J	DED		N2			
248	20	UA	GDX0006	S..	1	28-41-11	D04349J	S..		N2	2		
248B	24	Y2	D02261	5		28-41-11	D04349J	5		N2	2		
248R	24	Y2	D02261	8		28-41-11	D04349J	8		N2			
248Z			D02261	DED		28-41-11	D04349J	DED		N2			
271B	24	PL	D04597J	5		31-51-31	SM00088	5	9	N2	2		
271R	24	PL	D04597J	2		31-51-31	SM00087	2	9	N2			
272B	24	PL	D01487	63		31-51-31	SM00088	63	9	N2			
272R	24	PL	D01487	62		31-51-31	SM00087	62	9	N2			
273B	24	PL	D00817	63		31-51-32	SM00088	63	9	N2	2		
273R	24	PL	D00817	62		31-51-32	SM00087	62	9	N2			
290B	24	Y2	D04597J	8		34-43-15	SM00104	8	W	L2	1		
290R	24	Y2	D04597J	7		34-43-15	SM00103	7	W	L2			
290Z			D04597J	9		34-43-15	SM00103	9		L2			
291B	24	Y2	D04303J	5		34-43-15	SM00104	5	W	L2	1		
291R	24	Y2	D04303J	4		34-43-15	SM00103	4	W	L2			
291Z			D04303J	6		34-43-15	SM00103	6		L2			
292B	24	Y2	D04347J	53		34-43-15	SM00104	53	W	L2	1		
292R	24	Y2	D04347J	51		34-43-15	SM00103	51	W	L2			
292Z			D04347J	61		34-43-15	SM00103	61		L2			
301	20	UA	SM00028	REF		31-51-11	GDX0006	REF	1	N2	1		
301B	22	X3	D00811	57		31-51-11	SM00028	57	W	N2	2		
301R	22	X3	D00811	38		31-51-11	SM00028	38	W	N2			
301Y	22	X3	D00811	58		31-51-11	SM00028	58	W	N2			
301Z			D00811	DED		31-51-11	SM00028	DED		N2			
302B	22	X3	D00811	42		31-51-11	SM00029	42	W	N2	2		
302R	22	X3	D00811	41		31-51-11	SM00029	41	W	N2			
302Y	22	X3	D00811	43		31-51-11	SM00029	43	W	N2			
302Z			D00811	DED		31-51-11	SM00028	DED		N2			

286T0045-OCB
Wire Bundle Assembly
Figure 153 (Sheet 12)

25-71-02

TESTING & TROUBLE SHOOTING
01 Page 210M

Nov 01/02

WIRE			FROM EQUIPMENT			TO EQUIPMENT			WIRE INFO				
NUMBER	GA	TYP	NUMBER	TERM	TT	WDM REF	NUMBER	TERM	TT	EMC	FT	NOTE	EFFECTIVITY
303B	22	X3	D00811	8		31-51-11	SM00026	8	W	N2	2		
303R	22	X3	D00811	7		31-51-11	SM00026	7	W	N2			
303Y	22	X3	D00811	9		31-51-11	SM00026	9	W	N2			
303Z	22	X3	D00811	DED		31-51-11	SM00028	DED		N2			
304B	22	X3	D00811	25		31-51-11	SM00027	25	W	N2	2		
304R	22	X3	D00811	24		31-51-11	SM00027	24	W	N2			
304Y	22	X3	D00811	37		31-51-11	SM00027	37	W	N2			
304Z	22	X3	D00811	DED		31-51-11	SM00028	DED		N2			
305	20	UA	SM00030	REF		31-51-12	GDX0006	REF	1	N2	1		
305B	22	X3	D00813	8		31-51-12	SM00030	8	W	N2	2		
305R	22	X3	D00813	7		31-51-12	SM00030	7	W	N2			
305Y	22	X3	D00813	9		31-51-12	SM00030	9	W	N2			
305Z	22	X3	D00813	DED		31-51-12	SM00030	DED		N2			
306B	22	X3	D00813	25		31-51-12	SM00031	25	W	N2	2		
306R	22	X3	D00813	24		31-51-12	SM00031	24	W	N2			
306Y	22	X3	D00813	37		31-51-12	SM00031	37	W	N2			
306Z	22	X3	D00813	DED		31-51-12	SM00030	DED		N2			
307B	22	X3	D00813	57		31-51-12	SM00032	57	W	N2	2		
307R	22	X3	D00813	38		31-51-12	SM00032	38	W	N2			
307Y	22	X3	D00813	58		31-51-12	SM00032	58	W	N2			
307Z	22	X3	D00813	DED		31-51-12	SM00030	DED		N2			
308B	22	X3	D00813	42		31-51-12	SM00033	42	W	N2	2		
308R	22	X3	D00813	41		31-51-12	SM00033	41	W	N2			
308Y	22	X3	D00813	43		31-51-12	SM00033	43	W	N2			
308Z	22	X3	D00813	DED		31-51-12	SM00030	DED		N2			
523	22	PA	D04349J	20		27-32-21	D01381	20		N2	2		
524	24	PK	D04347J	7		31-51-33	D01489	7		N2	2		
525	24	PK	D00823	10		27-32-12	SM00082	10	W	N2	1		
526	24	PK	D00823	6		27-32-12	SM00082	6	W	N2	1		
527	24	PK	D01381	10		27-32-22	SM00085	10	W	N2	1		
528	24	PK	D01381	6		27-32-22	SM00085	6	W	N2	1		

286T0045-0CB
Wire Bundle Assembly
Figure 153 (Sheet 13)

25-71-02



BOEING
COMPONENT
MAINTENANCE MANUAL

WIRE		FROM EQUIPMENT			TO EQUIPMENT			WIRE INFO					
NUMBER	GA	TYP	NUMBER	TERM	TT	WDM REF	NUMBER	TERM	TT	EMC	FT	NOTE	EFFECTIVITY
601	20	PA	SM00060		W	31-51-11	GDX0001		1	N2			
602	20	PA	SM00061		W	31-51-12	GDX0001		1	N2			
603	24	Y1	D04511J	23		31-51-12	M01103	23	D	S2	1		
603Z			D04511J	DED		31-51-12	M01103	DED	D	S2			
604	24	Y1	D04511J	24		31-51-12	D00813	24	D	S2	3		
604Z			D04511J	DED		31-51-12	D00813	DED	D	S2			
605	24	Y1	D00813	1		31-51-12	M01103	1	D	S2	3		
605Z			D00813			31-51-12	M01103		D	S2			
606	24	Y1	D04349J	32		31-51-11	M01102	32	D	R2	1		
606Z			D04349J	DED		31-51-11	M01102	DED	D	R2			
607	24	Y1	D04349J	33		31-51-11	D00811	33	D	R2	3		
607Z			D04349J	DED		31-51-11	D00811	DED	D	R2			
608	24	Y1	D00811	1		31-51-11	M01102	1	D	R2	3		
608Z			D00811			31-51-11	M01102		D	R2			
610	24	PK	D00823	37		27-32-11	SM00050	37	W	N2	1		
611	24	PK	D01433	6		31-51-42	D04347J	6	W	N2	2		
612	24	PK	D01433	4		31-51-42	SM00050	4	W	N2	1		
613	24	PK	D04349J	30		31-51-31	SM00065	30	9	R2	2		
614	24	PK	D01487	52		31-51-31	SM00065	52	9	R2	2		
615	24	PK	D00817	52		31-51-32	SM00065	52	9	N2	2		
617	24	PK	D01381	11		27-32-12	D00823	11		N2	1		
618	24	PK	D01381	56		27-32-12	D00823	56		N2	1		
619	24	PK	D00823	9		27-32-12	SM00082	9	W	N2	1		
620	24	PK	D04349J	29		31-51-21	SM00071	29	9	N2	2		
621	24	PK	D00815	7		31-51-21	SM00071	7	9	N2	3		
622	24	PK	D01489	2		31-51-33	SM00071	2	9	N2			
623	24	PK	D01489	36		31-51-33	SM00038	36	9	N2			
624	24	PK	D00815	8		31-51-21	SM00045	8	9	N2	2		
625	24	PK	D01487	9		31-51-31	SM00034	9	9	N2	2		
631	24	PK	D00817	9		31-51-32	SM00034	9	9	N2	2		
648	24	PK	D00821	40		34-16-11	D04597J	40		N2	2		

286T0045-OCB
Wire Bundle Assembly
Figure 153 (Sheet 14)

25-71-02

TESTING & TROUBLE SHOOTING

01

Page 2100

Nov 01/02

WIRE			FROM EQUIPMENT				TO EQUIPMENT				WIRE INFO			
NUMBER	GA	TYP	NUMBER	TERM	TT	WDM REF	NUMBER	TERM	TT	EMC	FT	NOTE	EFFECTIVITY	
649	24	PK	SM00038		9	34-16-11	D04597J			N2	2			
652	24	PK	D01433	13		31-51-43	D04347J	13		N2	2			
683	22	PA	D01433	41		31-51-43	SM00081	41	W	N2	1			
684	20	PA	GDX0002	D..	1	31-51-43	D04349J	D..		N2	2			
685	24	PK	D00823	58		27-32-12	D01505	58		N2	2			
686	24	PK	D00823	8		27-32-11	SM00038	8	9	N2	2			
687	24	PK	D00823	64		27-32-11	SM00081	64	W	N2	1			
688	24	PK	D01381	58		27-32-22	D01503	58		N2	2			
689	24	PK	D01381	9		27-32-22	SM00085	9	W	N2	1			
692	24	PK	D01381	8		27-32-21	SM00038	8	9	N2	2			
693	24	PK	D04347J	30		31-51-21	D00815	30		N2	2			
694	22	PA	D04349J	46		31-51-43	SM00081	46	W	N2	1			
696	20	PA	GDX0003	D..	1	27-32-12	SM00082	D..	W	N2	1			
697	20	PA	GDX0003	D..	1	27-32-22	SM00085	D..	W	N2	1			
701	24	PK	D00815	49		31-51-21	D00815	49		N2				
702	24	PK	D00815	16		31-51-21	D00815	16		N2				
704	24	PK	SM00075		9	31-51-41	D04511J			N2	2			
705	24	PK	D00819	45		31-51-41	D04511J	45		N2	2			
706	24	PK	D00819	10		31-51-41	D04349J	10		N2	2			
707	24	PK	D00819	21		31-51-41	D04509J	21		N2	2			
708	24	PK	D00819	9		31-51-41	D04349J	9		N2	2			
709	24	PK	D00819	39		31-51-41	SM00044	39	9	N2	2			
710	24	PK	D00819	43		31-51-41	SM00037	43	W	N2	1			
711	24	PK	D00819	12		31-51-41	D04349J	12		N2	2			
712	24	PK	D00819	53		31-51-41	D04349J	53		N2	2			
713	24	PK	D00819	20		31-51-41	D04347J	20		N2	2			
714	24	PK	D00819	44		31-51-41	D04349J	44		N2	2			
717	24	PK	D01433	37		31-51-42	SM00034	37	9	N2	2			
718	24	PK	D01433	39		31-51-42	D04509J	39		N2	2			
720	24	PK	D01433	52		31-51-42	SM00040	52	9	N2	2			
721	24	PK	D01433	38		31-51-42	D04347J	38		N2	2			

 286T0045-OCB
 Wire Bundle Assembly
 Figure 153 (Sheet 15)

25-71-02



BOEING
COMPONENT
MAINTENANCE MANUAL

WIRE			FROM EQUIPMENT			TO EQUIPMENT			WIRE INFO				
NUMBER	GA	TYP	NUMBER	TERM	TT	WDM REF	NUMBER	TERM	TT	EMC	FT	NOTE	EFFECTIVITY
722	24	PK	D01433	5		31-51-42	D04349J	5		N2	2		
723	24	PK	D04511J	11		31-51-42	SM00038	11	9	N2	2		
724	24	PK	D01433	40		31-51-42	SM00038	40	9	N2	2		
725	24	PK	D01433	3		31-51-42	D04347J	3		N2	2		
726	22	PA	D04347J	14		31-51-21	SM00036	14	9	N2	2		
727	22	PA	D04349J	26		31-51-21	SM00035	26	9	N2	2		
728	24	PK	D04347J	1		31-51-41	D00819	1		N2	2		
729	24	PK	D04347J	2		31-51-41	D00819	2		N2	2		
730	24	PK	D04347J	3		31-51-41	D00819	3		N2	2		
731	24	PK	D04347J	4		31-51-41	D00819	4		N2	2		
732	24	PK	D04347J	5		31-51-42	D01433	5		N2	2		
733	24	PK	D04347J	16		34-16-11	D00821	16		N2	2		
734	24	PK	D04597J	20		31-51-31	SM00046	20	9	L2	2		
735	24	PK	D04597J	15		34-16-11	D00821	15		N2	2		
737	24	PK	SM00041		9	34-16-11	D00821			N2	2		
738	24	PK	D04597J	18		34-16-11	D00821	18		N2	2		
739	24	PK	SM00075		9	34-16-11	D00821			N2	2		
741	24	PK	D00821	18		34-16-11	D00821	18		N2	2		
742	24	PK	D00821	50		34-16-11	D00821	50		N2	2		
746	24	PK	D04597J	10		31-51-31	SM00043	10	9	N2	2		
747	24	PK	D01487	46		31-51-31	SM00043	46	9	N2	2		
748	24	PK	D04347J	21		31-51-31	SM00045	21	9	N2	2		
749	24	PK	D01487	10		31-51-31	SM00045	10	9	N2	2		
750	24	PK	D01487	19		31-51-31	SM00046	19	9	L2	2		
751	24	PK	D01487	13		31-51-31	SM00040	13	9	N2	2		
752	24	PK	D01487	47		31-51-31	SM00044	47	9	N2	2		
753	24	PK	D01487	51		31-51-31	SM00041	51	9	N2	2		
754	24	PK	D00817	18		31-51-32	SM00105	18	9	N2	2		
755	24	Y1	SM00035		9	31-51-31	D01487			N2	2		
755Z			SM00035	DED		31-51-31	D01487	DED		N2	2		
756	24	PK	SM00036		9	31-51-31	D01487			N2	2		

286T0045-OCB
Wire Bundle Assembly
Figure 153 (Sheet 16)

25-71-02

WIRE			FROM EQUIPMENT			TO EQUIPMENT			WIRE INFO				
NUMBER	GA	TYP	NUMBER	TERM	TT	WDM REF	NUMBER	TERM	TT	EMC	FT	NOTE	EFFECTIVITY
757	24	PK	D01487	11		31-51-31	SM00039	11	9	N2			
758	24	PK	D01487	22		31-51-31	D01489	22		N2	2		
759	24	PK	D01487	55		31-51-31	D01489	55		N2	2		
760	24	PK	D01487	34		31-51-31	D01489	34		N2	2		
761	24	PK	D01487	66		31-51-31	D01489	66		N2	2		
762	24	PK	D00817	10		31-51-32	SM00045	10	9	N2	2		
763	24	PK	D00817	46		31-51-32	SM00043	46	9	N2	2		
764	24	Y1	SM00035		9	31-51-32	D00817			N2			
764Z			SM00035	DED		31-51-32	D00817	DED		N2			
765	24	PK	SM00036		9	31-51-32	D00817			N2			
766	24	Y1	D00817	11		31-51-32	SM00053	11	9	N2			
766Z			D00817	DED		31-51-32	SM00053	DED		N2			
767	24	PK	D00817	19		31-51-32	SM00046	19	9	N2	2		
768	24	PK	D00817	13		31-51-32	SM00040	13	9	N2	2		
769	24	PK	D00817	47		31-51-32	SM00044	47	9	N2	2		
770	24	PK	D00817	51		31-51-32	SM00041	51	9	N2	2		
771	24	PK	D04597J	19		31-51-31	SM00105	19	9	C2	2		
772	24	PK	D00817	22		31-51-32	D01489	22		N2	2		
773	24	PK	D00817	55		31-51-32	D01489	55		N2	2		
774	24	PK	D00817	34		31-51-32	D01489	34		N2	2		
775	24	PK	D00817	66		31-51-32	D01489	66		N2	2		
776	24	PK	D01489	42		31-51-33	D04347J	42		N2	2		
777	24	PK	D01489	8		31-51-33	D04349J	8		N2	2		
778	24	PK	D01487	18		31-51-31	SM00105	18	9	C2	2		
779	24	PK	D01489	35		31-51-33	D04349J	35		N2	2		
780	24	PK	D01489	53		31-51-33	D04349J	53		N2	2		
781	24	PK	D01489	31		31-51-33	D01489	31		N2	2		
782	24	PK	D01489	18		31-51-33	D01489	18		N2	2		
783	24	PK	D01489	38		31-51-33	SM00008	38	9	N2	2		
784	24	PK	D01489	4		31-51-33	SM00011	4	9	N2	2		
785	24	PK	D01489	37		31-51-33	SM00012	37	9	N2	2		

286T0045-OCB
Wire Bundle Assembly
Figure 153 (Sheet 17)

25-71-02



BOEING
COMPONENT
MAINTENANCE MANUAL

WIRE		FROM EQUIPMENT		TO EQUIPMENT		WIRE INFO							
NUMBER	GA	TYP	NUMBER	TERM	TT	WDM REF	NUMBER	TERM	TT	EMC	FT	NOTE	EFFECTIVITY
786	24	PK	D01489	3		31-51-33	SM00010	3	9	N2			
787	24	PK	D01489	1		31-51-33	SM00009	1	9	N2			
788	24	PK	D01489	6		31-51-33	SM00034	6	9	N2	3		
789	24	PK	D01489	41		31-51-33	D04347J	41		N2	2		
791R	24	PP	D01489	7		31-51-33	D04347J	7		N2	2		
792R	24	PP	D01489	40		31-51-33	D04347J	40		N2	2		
793	24	PK	D00819	11		31-51-41	SM00075	11	9	N2	2		
794	20	PA	D04303J	10		31-51-32	GDX0005	10	1	N2	2		
795	24	PK	D01433	9		31-51-42	D01433	9		N2			
796	24	PK	D01433	22		31-51-42	D01433	22		N2			
797	24	Y1	D00815	41		31-51-21	SM00053	41	9	N2	2		
797Z			D00815	DED		31-51-21	SM00053	DED		N2			
798	24	Y1	D04349J	9		31-51-21	SM00053	9	9	N2	2		
798Z			D04349J	DED		31-51-21	SM00053	DED		N2			
817	24	PK	D00823	55		27-32-12	D11553	55		N2	2		
818	24	PK	D00823	21		27-32-12	D11553	21		N2	2		
819	24	PK	D00823	51		27-32-12	D11553	51		N2	2		
820	24	PK	D00823	50		27-32-12	D11553	50		N2	2		
821	24	PK	D00823	49		27-32-12	D11553	49		N2	2		
822	24	PK	D00823	47		27-32-12	D11553	47		N2	2		
823	24	PK	D00823	46		27-32-12	D11553	46		N2	2		
824	24	PK	D00823	53		27-32-12	D11553	53		N2	2		
825	24	PK	D00823	62		27-32-12	D11553	62		N2	2		
826	24	PK	D01381	55		27-32-22	D11553	55		N2	2		
827	24	PK	D01381	21		27-32-22	D11553	21		N2	2		
828	24	PK	D01381	51		27-32-22	D11553	51		N2	2		
829	24	PK	D01381	50		27-32-22	D11553	50		N2	2		
830	24	PK	D01381	49		27-32-22	D11553	49		N2	2		
831	24	PK	D01381	47		27-32-22	D11553	47		N2	2		
832	24	PK	D01381	46		27-32-22	D11553	46		N2	2		
833	24	PK	D01381	53		27-32-22	D11553	53		N2	2		

286T0045-OCB
Wire Bundle Assembly
Figure 153 (Sheet 18)

25-71-02

TESTING & TROUBLE SHOOTING
01 Page 210S

Nov 01/02

WIRE			FROM EQUIPMENT			TO EQUIPMENT			WIRE INFO				
NUMBER	GA	TYP	NUMBER	TERM	TT	WDM REF	NUMBER	TERM	TT	EMC	FT	NOTE	EFFECTIVITY
834	24	PK	D01381	62		27-32-22	D11553	62		N2	2		
835	24	PK	D04349J	50		27-32-21	D01381	50		N2	2		
836	20	PA	D04349J	53		27-32-21	GDX0002	53	1	N2	2		
837	24	PK	D00823	42		27-32-12	SM00082	42	W	N2	1		
838	24	PK	D01381	42		27-32-22	SM00085	42	W	N2	1		
862	22	PA	D02261	30		31-63-41	GDX0008	30	1	N2	2		
863	22	PA	D02261	32		31-63-41	GDX0008	32	1	N2	2		
864	22	PA	D02261	33		31-63-41	GDX0008	33	1	N2	2		
865	22	PA	D02261	64		31-63-41	GDX0008	64	1	N2	2		
866	24	Y1	D02261	27		31-51-11	SM00018	27	9	N2	1		
866Z			D02261	DED		31-51-11	SM00018	DED		N2			
867	24	Y1	D02261	28		31-51-11	SM00047	28	W	N2	1		
867Z			D02261	DED		31-51-11	SM00047	DED		N2			
868	24	Y1	D02261	29		31-51-12	SM00054	29	W	N2	1		
868Z			D02261	DED		31-51-12	SM00054	DED		N2			
869	24	PK	D02261	34		31-51-12	SM00025	34	9	N2	2		
870	22	PA	D02261	56		31-51-12	GDX0002	56	1	N2	1		
871	22	PA	D02261	57		31-51-12	GDX0004	57	1	N2	1		
872	22	PA	D02261	59		31-51-11	GDX0006	59	1	N2	2		
873	24	Y1	D02261	60		31-51-12	SM00055	60	W	N2	1		
873Z			D02261	DED		31-51-12	SM00055	DED		N2			
874	24	Y1	D02261	62		31-51-11	SM00049	62	W	N2	1		
874Z			D02261	DED		31-51-11	SM00049	DED		N2			
875	24	Y1	D02261	63		31-51-12	SM00056	63	W	N2	1		
875Z			D02261	DED		31-51-12	SM00056	DED		N2			
876	24	PK	D02261	65		31-51-11	SM00022	65	9	N2	2		
877	24	Y1	D00811	14		31-51-11	SM00018	14	9	N2	2		
877Z			D00811	DED		31-51-11	SM00018	DED		N2			
878	24	Y1	D00811	48		31-51-11	SM00047	48	W	N2	2		
878Z			D00811	DED		31-51-11	SM00047	DED		N2			
879	24	Y1	D00811	23		31-51-11	SM00049	23	W	N2	2		

286T0045-0CB
Wire Bundle Assembly
Figure 153 (Sheet 19)

25-71-02



BOEING
 COMPONENT
 MAINTENANCE MANUAL

WIRE			FROM EQUIPMENT			TO EQUIPMENT			WIRE INFO				
NUMBER	GA	TYP	NUMBER	TERM	TT	WDM REF	NUMBER	TERM	TT	EMC	FT	NOTE	EFFECTIVITY
879Z			D00811	DED		31-51-11	SM00049	DED		N2			
880	24	Y1	D00813	14		31-51-12	SM00054	14	W	N2	2		
880Z			D00813	DED		31-51-12	SM00054	DED		N2			
881	24	Y1	D00813	48		31-51-12	SM00055	48	W	N2	2		
881Z			D00813	DED		31-51-12	SM00055	DED		N2			
882	24	Y1	D00813	23		31-51-12	SM00056	23	W	N2	2		
882Z			D00813	DED		31-51-12	SM00056	DED		N2			
885	24	PK	D04349J	8		31-51-21	SM00057	8	9	N2	2		
886	24	PK	D04507J	3		31-51-21	SM00058	3	9	N2	2		
887	24	PK	D04507J	1		31-51-21	SM00058	1	9	N2	2		
888	24	PK	SM00057		9	31-51-21	D04349J			N2	2		

286T0045-OCB
 Wire Bundle Assembly
 Figure 153 (Sheet 20)

25-71-02


BOEING
 COMPONENT
 MAINTENANCE MANUAL
REPAIR – GENERAL

1. Repair can be accomplished using applicable procedures in SOPM 20-11-04 and standard industry practices.

2. EMC/Separation Categories

A. There are three Wire Separation Categories that must be maintained at all times. They are: Power Source Separation, Redundancy Separation and Electromagnetic Compatibility (EMC) Separation.

(1) The first letter defines the Power Source Separation Category. This category separates systems by power source only and does not guarantee physical separation. This category also supplies the color code of the bundle and is broken up as follows:

CATEGORY	WIRE BUNDLE COLOR	POWER SOURCE
L	Red	Circuits from left engine bus or left engine controls
R	Green	Circuits from right engine bus or right engine controls
S	Blue	Circuits powered by battery, ac or dc standby
A	Orange	APU control and electrical power circuits
N	White	Neutral circuits

(2) All wires labeled with L,R,S,A shall have a minimum spacing of 1/4 inch between each other. Wires labeled N may be bundled with wires of any category as long as the Redundancy and EMC separation are maintained.

B. The second letter defines the Electromagnetic Compatibility Separation Category and is defined as follows:

25-71-02

REPAIR-GENERAL

01

Page 601

Nov 01/02

Source of Interference	1
Passive Circuit	2
Susceptible Circuit	3

- (1) Wires within Category 3 must be separated a minimum of 4 inches from Category 1 and a minimum of 2 inches from Category 2.

25-71-02

REPAIR-GENERAL

01

Page 602

Nov 01/02

ILLUSTRATED PARTS LIST

1. This section lists and illustrates replaceable or repairable component parts. The Illustrated Parts Catalog contains a complete explanation of the Boeing part numbering system.

2. Indentures show parts relationships as follows:

Assembly

Detail Parts for Assembly

Subassembly

Attaching Parts for Subassembly

Detail Parts for Subassembly

Detail Installation Parts (Included only if installation parts may be returned to shop as part of assembly)

3. One use code letter (A, B, C, etc.) is assigned in the EFF CODE column for each variation of top assembly. All listed parts are used on all top assemblies except when limitations are shown by use code letter opposite individual part entries.

4. Letter suffixes (alpha-variants) are added to item numbers for optional parts, Service Bulletin modification parts, configuration differences (Except left- and right-hand parts), product improvement parts, and parts added between two sequential item numbers. The alpha-variant is not shown on illustrations when appearance and location of all variants of the part is the same.

5. Service Bulletin modifications are shown by the notations PRE SB XXXX and POST SB XXXX.

A. When a new top assembly part number is assigned by Service Bulletin, the notations appear at the top assembly level only. The configuration differences at detail part level are then shown by use code letter.

B. When the top assembly part number is not changed by the Service Bulletin, the notations appear at the detail part level.

6. Parts Interchangeability

Optional
(OPT)

The parts are optional to and interchangeable with other parts having the same item number.

Supersedes, Superseded By
(SUPSDS, SUPSD BY)

The part supersedes and is not interchangeable with the original part.

Replaces, Replaced By
(REPLS, REPLD BY)

The part replaces and is interchangeable with, or is an alternate to, the original part.

25-71-02

ILLUSTRATED PARTS LIST

01 Page 1001

Nov 01/02

7. The MOD level codes in the nomenclature column, such as MOD A and MOD B, identify interchangeable top assemblies which have the same part number but which have differences at the subassembly or component levels. The IPL identifies each MOD level of a top assembly with a different item number and use code. The nameplate label identifies the MOD level of each assembly in the MOD LEVEL block.
8. Use substitute parts only as specified in the document D906-10182, Electrical/Electronic/Electromechanical and Mechanical Parts Substitution.

25-71-02

ILLUSTRATED PARTS LIST

01 Page 1002

Nov 01/02

 **BOEING**
COMPONENT
MAINTENANCE MANUALVENDORS

0FDX0 KYOCERA NW INC
5701 EAST FOURTH PLAIN BLVD
VANCOUVER, WASHINGTON 98661
FORMERLY V0998B

01121 ALLEN-BRADLEY COMPANY
1201 SOUTH 2ND STREET
MILWAUKIE, WISCONSIN 53204

03038 LONG-LOK FASTENER CORP
13709 S NORMANDIE AVE
GARDENA, CALIFORNIA 90249-2609
FORMERLY TEKLON IN LOS ANGELES CALIFORNIA V07358
FORMERLY WHITTAKER CORP PREC FASTRS V05799

04169 WESTERN SKY INDUSTRIES A DIVISION OF ATLAS CORPORATION
1280 SAN LUIS OBISPO STREET
HAYWARD, CALIFORNIA 94544-7916
FORMERLY WESTERN SKY IND VB0008

06383 PANDUIT CORPORATION
17301 RIDGELAND AVENUE
TINLEY PARK, ILLINOIS 60477-3048

07387 BIRTCHEER CORP
50 TECHNOLOGY DRIVE
IRVINE, CALIFORNIA 92718
FORMERLY IN LOS ANGELES AND EL MONTE, CALIFORNIA

07479 MINELCO A SUB OF TALLEY INDUSTREIS INC
135 SOUTH MAIN STREET
THOMASTON, CONNECTICUT 06787-1714
FORMERLY V0780B AS MINELCO A DIV OF GENERAL TIME

09922 FRAMATOME CONNECTORS FRANCE
50 GRUMBACHER ROAD
YORK, PENNSYLVANIA 17402
FORMERLY BURNDY ENGRG CO V02198; FORMERLY BURNDY CORP
FORMERLY NORWALK, CONNECTICUT

25-71-02ILLUSTRATED PARTS LIST
01 Page 1003
Nov 01/02

VENDORS

- 11815 CHERRY AEROSPACE FASTENERS DIV OF TEXTRON
1224 EAST WARNER AVENUE PO BOX 2157
SANTA ANA, CALIFORNIA 92707-0157
FORMERLY IN LOS ANGELES, CALIF , FORMERLY CHERRY FASTENERS
TOWNSEND DIV OF TEXTRON INC V71087
- 13619 RFI CORP SUB OF DEL ELECTRONICS CORP
100 PINE AIRE DRIVE
BAY SHORE, NEW YORK 11706-1107
FORMERLY RFI CORP SUB OF KDI, BAY SHORE, LONG ISLAND, NY
- 15653 FAIRCHILD FASTENERS KAYNAR PRODUCTS DIV
800 S STATE COLLEGE BLVD
FULLERTON, CALIFORNIA 92831-3001
FORMERLY VK6405 MICRODOT AEROSP LTD; FORMERLY KAYNAR TECH
KAYNAR DIV
- 21649 OTTO CONTROLS DIV OF OTTO ENGRG INC
2 EAST MAIN STREET
CARPENTERSVILLE, ILLINOIS 60110
- 28480 HEWLETT-PACKARD CO CORPORATE HQ
3000 HANOVER STREET
PALO ALTO, CALIFORNIA 94304-1112
- 31433 KEMET ELECTRONICS CORP
2835 KEMET WAY
SIMPSONVILLE, SOUTH CAROLINA 39681
FORMERLY UNION CARBIDE CORP, GREENVILLE, S.C.
- 35344 LEACH CORP RELAY DIV SEE LEACH CORP CONTROL PROD DIV V58657
- 5M902 FAIRCHILD IND INC FAIRCHILD AEROSPACE FASTENER DIV
3016 W LOMITA BLVD
TORRANCE, CALIFORNIA 90505-5103
FMLY IN REDONDO BEACH, CALIF
- 52828 REPUBLIC FASTENER MFG CORP
1300 RANCHO CONEJO BLVD
NEWBURY PARK, CALIFORNIA 91320-1405
FORMERLY IN SYLMAR, CALIFORNIA

25-71-02

ILLUSTRATED PARTS LIST
01 Page 1004
Nov 01/02


BOEING
 COMPONENT
 MAINTENANCE MANUAL
VENDORS

- 58657 LEACH INTERNATIONAL OF NORTH AMERICA
 6900 ORANGETHORPE AVE PO BOX 5032
 BUENA PARK, CALIFORNIA 90622-5032
 FORMERLY LEACH CORP V35344 AND V00614
 FORMERLY LEACH CORP
- 60119 MONADNOCK CO THE
 18301 ARENTH AVENUE PO BOX 1222
 CITY OF INDUSTRY, CALIFORNIA 91749
 FORMERLY UNITED CARR FASTENER CORP VB0051 VB0056 VB0076
 FORMERLY TRW ELECTRONIC COMPONENTS CINCH-MONADNOCK DIV
 FORMERLY CINCH-MONADNOCK DIV OF TRW INC V76530
- 71286 FAIRCHILD FASTENERS CAMLOC PRODUCTS
 SOUTHBAY OPERATIONS
 TORRANCE, CALIFORNIA 90505-5103
 FORMERLY REXNORD INC SPECIALITY FASTENER DIV IN HASBROUCK
 HEIGHTS, NEW JERSEY
- 71468 ITT CANNON DIV OF ITT CORP
 666 EAST DYER ROAD
 SANTA ANA, CALIFORNIA 92702
 FORMERLY CANNON ELECTRIC CO AND ITT CANNON ELECTRIC AND
 ITT CANNON ELECTRIC DIV OF INTERNATIONAL TELEPHONE CORP
 FORMERLY IN LOS ANGELES AND FOUNTAIN VALLEY, CALIFORNIA
 FORMERLY ITT CANNON ELECTRIC SALEM DIV, SALEM, MA V91146
- 72962 HARVARD INDUSTRIES INC
 3 WERNER WAY SUITE 210
 LEBANON, NEW JERSEY 08833
 FORMERLY AMERACE CORP ESNA DIV
 FORMERLY ELASTIC STOP NUT IN UNION, NJ
- 74970 JOHNSON E F COMPANY
 299 TENTH AVENUE SW
 WASECA, MINNESOTA 56093-2539
- 80539 SPS TECHNOLOGIES INC AEROSPACE PRODUCTS DIV
 2701 SOUTH HARBOR BOULEVARD PO BOX 1259
 SANTA ANA, CALIFORNIA 92702-1259
 FORMERLY NUTT-SHEL DIV OF SPC WESTERN CO V80539
 AND STANDARD PRESSED STEEL WESTERN DIV V17279

25-71-02

 ILLUSTRATED PARTS LIST
 01 Page 1005
 Nov 01/02

VENDORS

- 81349 MILITARY SPECIFICATIONS PROMULGATED BY MILITARY
DEPARTMENTS/AGENCIES UNDER AUTHORITY OF DEFENSE
STANDARDIZATION MANUAL 4120 3-M
- 92215 FAIRCHILD IND INC FAIRCHILD AEROSPACE FASTENER DIV
3010 W LOMITA BLVD
TORRANCE, CALIFORNIA 90505-5102
FORMERLY VOI-SHAN IN CULVER CITY, CALIF
- 95275 VITRAMON INC
BOX 544
BRIDGEPORT, CONNECTICUT 06601-0544

25-71-02

ILLUSTRATED PARTS LIST
01 Page 1006
Nov 01/02


BOEING
 COMPONENT
 MAINTENANCE MANUAL

REFERENCE DESIGNATOR INDEX (SEE SCHEMATIC DIAGRAM)		
REFERENCE DESIGNATOR	PART NUMBER	FIG-ITEM
C1	R1206X103K2B04	1-450A
C1	R1206X103K2B04	3-455A
C2	C1206E104K5XAC	1-445C
C2	C1206E104K5XAC	3-450C
C2	R1206X104K2B04	1-445B
C2	R1206X104K2B04	3-450B
C3	R1206X103K2B04	1-450A
C3	R1206X103K2B04	3-455A
C4	C1206E104K5XAC	1-445C
C4	C1206E104K5XAC	3-450C
C4	R1206X104K2B04	1-445B
C4	R1206X104K2B04	3-450B
C5-C10	R1206X103K2B04	1-450A
C5-C10	R1206X103K2B04	3-455A
C11	C1206E104K5XAC	1-445C
C11	C1206E104K5XAC	3-450C
C11	R1206X104K2B04	1-445B
C11	R1206X104K2B04	3-450B
C12	R1206X103K2B04	1-450A
C12	R1206X103K2B04	3-455A
C13	C1206E104K5XAC	1-445C
C13	C1206E104K5XAC	3-450C
C13	R1206X104K2B04	1-445B
C13	R1206X104K2B04	3-450B
C14-C18	R1206X103K2B04	1-450A
C14-C18	R1206X103K2B04	3-455A
CR1-CR4	M87157-00104AAF	1-460A
CR1-CR4	M87157-00104AAF	3-465A
CR1-CR4	M87157-00104AAG	1-460B
CR1-CR4	M87157-00104AAG	3-465B
CR1-CR4	M87157-00104ACF	1-460C
CR1-CR4	M87157-00104ACF	3-465C
CR1-CR4	M87157-00104ACG	1-460D
CR1-CR4	M87157-00104ACG	3-465D
CR1-CR4	4N54TXV	1-460
CR1-CR4	4N54TXV	3-465
D1503	S0-1064-007	1-765
D1503	S0-1064-007	3-720
D1505	S0-1064-007	1-765
D1505	S0-1064-007	3-720

25-71-02

ILLUSTRATED PARTS LIST

01

Page 1007

Nov 01/02

REFERENCE DESIGNATOR INDEX (SEE SCHEMATIC DIAGRAM)		
REFERENCE DESIGNATOR	PART NUMBER	FIG-ITEM
K598	XD4N	1-745
K598	XD4N	3-700
K599	XD4N	1-745
K599	XD4N	3-700
M1102	10S1034A	1-715
M1102	10S1034A	3-670
M1103	10S1034A	1-715
M1103	10S1034A	3-670
N112	BHG27T12YBLK	1-465
N112	BHG27T12YBLK	3-470
N113	BHG27T12YBLK	1-465
N113	BHG27T12YBLK	3-470
P1	M24308-24-40	1-470
P1	M24308-24-40	3-475
PART	285T1111-1	1-420
PART	285T1111-1	3-425
R2-R4	BCK1500F	1-455
R2-R4	BCK1500F	3-460
R6	BCK1500F	1-455
R6	BCK1500F	3-460
R8	BCK1500F	1-455
R8	BCK1500F	3-460
R9	BCK1500F	1-455
R9	BCK1500F	3-460
R11	BCK1500F	1-455
R11	BCK1500F	3-460
R14-R16	BCK1500F	1-455
R14-R16	BCK1500F	3-460
R18	BCK1500F	1-455
R18	BCK1500F	3-460
R20	BCK1500F	1-455
R20	BCK1500F	3-460
R21	BCK1500F	1-455
R21	BCK1500F	3-460
R23	BCK1500F	1-455
R23	BCK1500F	3-460
S560	P4-10065-22	1-475
S560	P4-10065-22	3-480
SENSITIVE	285T1111-1	1-420
SENSITIVE	285T1111-1	3-425

25-71-02

 ILLUSTRATED PARTS LIST
 01 Page 1008
 Nov 01/02

REFERENCE DESIGNATOR INDEX (SEE SCHEMATIC DIAGRAM)		
REFERENCE DESIGNATOR	PART NUMBER	FIG-ITEM
STATIC	285T1111-1	1-420
STATIC	285T1111-1	3-425
1B3	285T0018-11	1-620
1B3	285T0018-11	625
1B3	285T0018-11	635
1B3	285T0018-11	645
1B9	285T0018-11	625
1B9-1B11	285T0018-11	640
1B9-1B11	285T0018-11	645
1B10	285T0018-11	630
1B10	285T0018-11	635
1B11	285T0018-11	630
1B11	285T0018-11	635

25-71-02

ILLUSTRATED PARTS LIST

01

Page 1009

Nov 01/02

PART NUMBER	AIRLINE PART NO.	FIG.	ITEM	TTL REQ
BACN10DN26		1	350	4
		3	355	4
BACN10JC04		1	600	2
		1	605	2
		1	610	2
		1	615	2
		1	760	32
		3	590	2
		3	595	2
		3	600	2
		3	715	32
BACN10JC06		1	415A	4
		3	420A	4
BACN10JC08		1	710	4
		3	665	4
BACN10JN04		1	735	4
		3	690	4
BACN10JN06		1	330	2
		1	365	4
		1	500	3
		3	335	2
		3	370	4
		3	505	3
BACN10JN08		1	370	2
		3	375	2
BACN10JR06F		2	260	4
BACN10KA06B		2	265	4
BACN10TL3-10		2	195	1
BACN10TL3-3		2	185	2
BACN10TL3-6		2	160	1
		2	190	1
BACR11Y1		2	40	1
		2	205	3

25-71-02

 ILLUSTRATED PARTS LIST
 01 Page 1010
 Nov 01/02


BOEING
 COMPONENT
 MAINTENANCE MANUAL

PART NUMBER	AIRLINE PART NO.	FIG.	ITEM	TTL REQ	
BACR15BA3AD		1	325	4	
		1	360	12	
		1	495	6	
		1	730	8	
		2	110	4	
		2	255	16	
		3	330	4	
		3	365	12	
		3	500	6	
		3	685	8	
	BACR15BA4AD		1	50	8
			2	75	9
	BACR15BA4AD		3	55	8
	BACR15BA6AD		2	5	1
BACR15BB2AD		1	105	18	
		1	170	18	
		1	190	21	
		1	255	21	
		3	110	18	
		3	175	18	
		3	195	21	
		3	260	21	
	BACR15BB3AD		2	35	2
			2	105	12
		2	180	8	
		2	200	6	
BACR15BB4A			2	225	2
		BACR15BB4AD	1	125	8
1	270		6		
1	660		24		
2	15		5		
3	130		8		
3	275		6		
3	615		24		
BACR15BB5AD	1		210	8	
	2	55	4		
	2	155	2		
	2	215	4		
	3	215	8		

25-71-02

ILLUSTRATED PARTS LIST

01

Page 1011

Nov 01/02

PART NUMBER	AIRLINE PART NO.	FIG.	ITEM	TTL REQ
BACR15BB6AD		2	10	4
		2	20	12
BACR15FT5AD		2	65	25
		2	67	18
		2	165	5
BACR15FT6AD		2	170	9
BACS21Y4R		2	140	4
BACS53B1EA1		1	720	1
		3	675	1
BACW10X4		2	145	4
BAC27EEL22704		1	910	1
		3	765	1
BAC27TEC0160		2	237	1
BAC27TEX0885		1	895	1
BAC27TEX0886		1	900	1
BAC27TEX0887		1	905	1
BAC27TEX1		1	795	1
BAC27TEX1		3	740	1
BAC27TEX1486		1	485	1
		3	490	1
BAC27TEX1662		1	780	1
		3	730	1
BAC27TEX1664		1	800	1
BAC27TEX1928		1	885	1
BAC27TEX1929		1	880	1
BAC27TEX1930		1	890	1
BAC27TEX1993		1	915	1
		3	770	1
BAC27TEX2017		1	785	1
		3	735	1
BAC27TEX2375		1	790	1
BAC27TEX2952		1	875	1
		3	760	1
BAC27TEX3312		1	865	1
		3	750	1
BAC27TEX3370		1	860	1
		3	745	1
BAC27TEX3555		1	805	1
BAC27TEX3556		1	810	1
BAC27TEX3630		1	815	1

25-71-02

 ILLUSTRATED PARTS LIST
 01 Page 1012
 Nov 01/02


BOEING
 COMPONENT
 MAINTENANCE MANUAL

PART NUMBER	AIRLINE PART NO.	FIG.	ITEM	TTL REQ
BAC27TEX3776		1	825	1
BAC27TEX3787		1	830	1
BAC27TEX3790		1	510	1
		3	515	1
BAC27TEX3890		1	870	1
		3	755	1
BAC27TEX4168		1	820	1
BAC27TEX4337		1	840	1
BAC27TEX4563		1	845	1
		3	800	1
BAC27TEX4564		1	835	1
		3	795	1
BAC27TEX4565		1	850	1
		3	805	1
BAC27TEX4726		1	855	1
		3	810	1
BAC27TEX5608		3	815	1
BCK1500F		1	455	14
		3	460	14
BHG27T12YBLK		1	465	2
		3	470	2
BRFM20A04L		1	735	4
BRFM20A04L		3	690	4
BRFM20A06L		1	330	2
		1	365	4
		1	500	3
		3	335	2
		3	370	4
		3	505	3
BRFM20A08		1	370	2
		3	375	2
BRF200A06		2	260	4
BRH10A04		1	600	2
		1	605	2
		1	610	2
		1	615	2
		1	760	32
		3	590	2
		3	595	2
		3	600	2
		3	715	32

25-71-02

ILLUSTRATED PARTS LIST

01

Page 1013

Nov 01/02

PART NUMBER	AIRLINE PART NO.	FIG.	ITEM	TTL REQ
BRH10A06		1	415A	4
		3	420A	4
BRH10A08		1	710	4
		3	665	4
C1206E104K5XAC		1	445C	4
		3	450C	4
D110551		1	440	2
		3	445	2
F5000-06BAC H10-04BAC		2	260	4
		1	600	2
		1	605	2
		1	610	2
		1	615	2
		1	760	32
		3	590	2
		3	595	2
		3	600	2
		3	715	32
		H10-06BAC		1
3	420A			4
H10-08BAC		1	710	4
		3	665	4
MF1000-04BAC		1	735	4
		3	690	4
MF1000-06BAC		1	330	2
		1	365	4
MF1000-06BAC		1	500	3
		3	335	2
		3	370	4
		3	505	3
		1	370	2
MF1000-08BAC		3	375	2
		1	735	4
MF53049-04		3	690	4
		1	330	2
MF53049-06		1	365	4
		1	500	3
		3	335	2
		3	370	4
		3	505	3

25-71-02

 ILLUSTRATED PARTS LIST
 01 Page 1014
 Nov 01/02


BOEING
 COMPONENT
 MAINTENANCE MANUAL

PART NUMBER	AIRLINE PART NO.	FIG.	ITEM	TTL REQ
MF53049-08		1	370	2
		3	375	2
MS20253P2-2570		2	85	1
		1	690	3
MS21042L3		3	645	3
		1	75	4
MS21209C0615		1	90	7
		1	140	2
		1	155	5
		1	225	2
		1	240	5
		1	295	5
		1	310	4
		3	80	4
		3	95	7
		3	145	2
		3	160	5
		3	230	2
		3	245	5
		3	300	5
		3	315	4
MS35206-205		1	345	4
		3	350	4
MS35338-40		1	575	18
		1	580	2
		1	585	2
		1	590	2
		1	595	2
		3	570	20
		3	575	2
		3	580	2
MS35338-40		3	585	2
		1	650	1
MS35338-44		3	605	1
MS35650-342		1	435	2
		3	440	2
MS35650-344		1	435A	2
		3	440A	2
M24308-24-40		1	470	1
		3	475	1
M87157-00104AAF		1	460A	4
		3	465A	4

25-71-02

ILLUSTRATED PARTS LIST

01

Page 1015

Nov 01/02

PART NUMBER	AIRLINE PART NO.	FIG.	ITEM	TTL REQ
M87157-00104AAG		1	460B	4
		3	465B	4
M87157-00104ACF		1	460C	4
		3	465C	4
M87157-00104ACG		1	460D	4
		3	465D	4
NAS1149DN816J		1	705	4
		3	660	4
NAS1149D0332J		1	685	3
		3	640	3
NAS1801-04-5		1	530	18
		1	535	2
		1	540	2
		1	545	2
		1	550	2
		1	750	4
		3	535	20
		3	540	2
		3	545	2
		3	550	2
		3	705	4
NAS1801-04-6		1	555	2
		1	560	2
		1	565	2
		1	570	2
		1	755	32
		3	555	2
		3	560	2
		3	565	2
		3	710	32
NAS1801-06-10		1	400	4
		3	405	4
NAS1801-06-5		1	5	8
		1	385	3
NAS1801-06-5		3	10	8
		3	390	3
NAS1801-06-6		1	15	9
		1	670	16
		3	20	9
		3	625	16
NAS1801-08-6		1	700	4
		3	655	4

25-71-02

 ILLUSTRATED PARTS LIST
 01 Page 1016
 Nov 01/02


BOEING
 COMPONENT
 MAINTENANCE MANUAL

PART NUMBER	AIRLINE PART NO.	FIG.	ITEM	TTL REQ
NAS42DD4-4		2	230	2
NAS43DD1-16		1	405	4
		3	410	4
NAS514P632-12		1	45	4
		1	275	4
		3	50	4
		3	280	4
NAS514P632-14P		1	10	3
		3	15	3
NAS514P632-6		1	340	4
		3	345	4
NAS603-7P		1	675	2
		3	630	2
NAS620-4L		1	430	2
		3	435	2
NAS620-6		1	390	3
		1	410	4
		3	395	3
		3	415	4
NAS623-3-2		1	680	3
		3	635	3
NS103203-62		2	260	4
NS103218-40		1	735	4
		3	690	4
NS103218-62		1	330	2
		1	365	4
		1	500	3
		3	335	2
		3	370	4
		3	505	3
NS103218-82		1	370	2
		3	375	2
NS103227-62		2	265	4
NS202101-40		1	600	2
		1	605	2
		1	610	2
		1	615	2
NS202101-40		1	760	32
		3	590	2
		3	595	2
		3	600	2
		3	715	32

25-71-02

ILLUSTRATED PARTS LIST

01

Page 1017

Nov 01/02

PART NUMBER	AIRLINE PART NO.	FIG.	ITEM	TTL REQ
NS202101-62		1	415A	4
		3	420A	4
NS202101-82		1	710	4
		3	665	4
PL1801-04-5		1	425	2
		3	430	2
P4-10065-22		1	475	1
		3	480	1
RMF9201-62		2	260	4
		1	735	4
RMF9201M40		3	690	4
		1	330	2
RMF9201M62		1	365	4
		1	500	3
		3	335	2
		3	370	4
		3	505	3
		1	370	2
RMF9201M82		3	375	2
		1	600	2
RMLH9075-40W		1	605	2
		1	610	2
		1	615	2
		1	760	32
		3	590	2
		3	595	2
		3	600	2
		3	715	32
RMLH9075-62W		1	415A	4
		3	420A	4
RMLH9075-82W		1	710	4
		3	665	4
R1206X103K2B04		1	450A	14
		3	455A	14
R1206X104K2B04		1	445B	4
		3	450B	4
STBP19M12		1	695	5
		3	650	5
S0-1064-007		1	765	2
		3	720	2

25-71-02

 ILLUSTRATED PARTS LIST
 01 Page 1018
 Nov 01/02


BOEING
 COMPONENT
 MAINTENANCE MANUAL

PART NUMBER	AIRLINE PART NO.	FIG.	ITEM	TTL REQ
S285T004-4		3	430	2
S285T004-5		1	425	2
TM3S10		1	695	5
		3	650	5
T6S440J		1	600	2
		1	605	2
		1	610	2
		1	615	2
		1	760	32
		3	590	2
		3	595	2
		3	600	2
		3	715	32
T6S632J		1	415A	4
		3	420A	4
T6S832J		1	710	4
		3	665	4
T8091S632		2	260	4
T8099S632SK		2	265	4
T8124S04S		1	735	4
		3	690	4
T8124S06S		1	330	2
		1	365	4
		1	500	3
		3	335	2
		3	370	4
		3	505	3
T8124S08S		1	370	2
		3	375	2
VNS1924CA1-8		1	720	1
		3	675	1
VNS1924CA3-1-8		1	720	1
		3	675	1
VN152A1-62		2	260	4
VN252A40L		1	735	4
		3	690	4
VN252A62L		1	330	2
		1	365	4
		1	500	3
		3	335	2
		3	370	4
		3	505	3

25-71-02

ILLUSTRATED PARTS LIST

01

Page 1019

Nov 01/02

PART NUMBER	AIRLINE PART NO.	FIG.	ITEM	TTL REQ
VN252A82		1	370	2
		3	375	2
VN303A40		1	600	2
VN303A40		1	605	2
		1	610	2
		1	615	2
		1	760	32
		3	590	2
		3	595	2
		3	600	2
		3	715	32
VN303A62		1	415A	4
		3	420A	4
VN303A82		1	710	4
		3	665	4
WSI4-10		2	195	1
WSI4-3		2	185	2
WSI4-6		2	160	1
		2	190	1
XD4N		1	745	2
		3	700	2
YHLZG16-1		1	665	6
		3	620	6
10S1034A		1	715	2
		3	670	2
108-0740-001		1	655	1
		3	610	1
1127700		2	145	4
12065C103KHT1AV		1	450A	14
		3	455A	14
12065C104KHT1AV		1	445B	4
		3	450B	4
217T1435-2		2	240	1
217T1436-1		2	235	1
217T2113-1		2	222	1
217T2113-4		2	242	1
24BX2-12-3L		1	110	6
		1	195	7
		3	115	6
		3	200	7

25-71-02

 ILLUSTRATED PARTS LIST
 01 Page 1020
 Nov 01/02


BOEING
 COMPONENT
 MAINTENANCE MANUAL

PART NUMBER	AIRLINE PART NO.	FIG.	ITEM	TTL REQ
24BX2-12-3R		1	175	6
		1	260	7
		3	180	6
		3	265	7
		2	145	4
2600LW		2	285D	1
284T1356-1		1	1A	RF
285T0007-14		1	1B	RF
285T0007-15		1	770	1
285T0007-16		2	1A	RF
		1	770A	1
		2	1B	RF
285T0007-17		1	1C	RF
285T0007-19		1	770B	1
		2	1C	RF
285T0007-21		1	1D	RF
285T0007-22		1	770C	1
		2	1D	RF
285T0007-24		1	1F	RF
285T0007-27		1	1F	RF
285T0007-28		1	770D	1
		2	1E	RF
285T0007-30		1	1G	RF
285T0007-33		1	770E	1
		2	1F	RF
285T0007-34		1	770F	1
		2	1G	RF
285T0007-35		3	790	1
		1	395	1
		3	400	1
285T0007-4		1	30	2
		3	35	2
285T0007-40		1	1K	RF
285T0007-49		1	770G	1
		2	1H	RF
285T0007-5		1	35	2
		3	40	2
285T0007-50		1	1R	RF
285T0007-55		1	770H	1
		2	1J	RF
285T0007-56		3	790A	1
		1	1W	RF
		3	1A	RF

25-71-02

ILLUSTRATED PARTS LIST

01

Page 1021

Nov 01/02

PART NUMBER	AIRLINE PART NO.	FIG.	ITEM	TTL REQ
285T0007-58		1	1Y	RF
		3	1B	RF
285T0007-59		1	1Z	RF
		3	1C	RF
285T0007-61		1	2	RF
		3	1D	RF
285T0007-62		2	1K	RF
		3	790B	1
285T0007-63		1	2A	RF
		3	1E	RF
285T0007-66		1	2C	RF
		3	1F	RF
285T0007-67		1	2D	RF
		3	1G	RF
285T0007-68		1	2E	RF
		3	1H	RF
285T0007-69		1	2F	RF
		3	1J	RF
285T0007-7		1	25	2
		3	30	2
285T0007-7001		3	5	1
285T0007-71		1	2G	RF
		3	1K	RF
285T0007-72		1	2H	RF
		3	1L	RF
285T0007-73		1	2J	RF
		3	1M	RF
285T0007-74		1	2K	RF
		3	1N	RF
285T0007-9		1	20	4
		3	25	4
285T0018-11		1	620	1
		1	625	2
		1	630	2
		1	635	3
		1	640	3
		1	645	4
		3	775	1
		3	780	2
		3	785	3

25-71-02

 ILLUSTRATED PARTS LIST
 01 Page 1022
 Nov 01/02


BOEING
 COMPONENT
 MAINTENANCE MANUAL

PART NUMBER	AIRLINE PART NO.	FIG.	ITEM	TTL REQ
285T0018-9		2	45	1
		2	210	3
285T0061-15		1	515	1
		3	520	1
285T0061-19		2	125	1
285T0061-2		2	275	1
285T0061-20		2	130	2
285T0061-21		2	135	4
285T0061-22		2	150	1
285T0061-24		2	100	1
285T0061-26		2	250	1
285T0061-27		2	285	1
285T0061-28		2	100A	1
285T0061-29		2	115	4
285T0061-3		2	280	1
285T0061-30		2	120	4
285T0061-34		2	250A	1
285T0061-35		2	285A	1
285T0061-36		2	100B	1
285T0061-37		2	150A	1
285T0061-38		2	250B	1
285T0061-39		2	285B	1
285T0061-40		1	505	1
		3	510	1
285T0061-41		2	250C	1
285T0061-42		2	285C	1
285T0061-43		1	490	1
		3	495	1
285T0061-44		2	250D	1
285T0061-46		2	285E	1
285T0061-5		2	270	1
285T0061-6		2	245	1
285T0062-11		1	525	1
		3	530	1
285T0062-12		1	520	1
		3	525	1
285T0062-17		2	50	1
285T0062-21		1	250	1
		3	255	1
285T0062-22		1	262	1
		3	268	1

25-71-02

ILLUSTRATED PARTS LIST

01

Page 1023

Nov 01/02

PART NUMBER	AIRLINE PART NO.	FIG.	ITEM	TTL REQ
285T0062-23		1	185	1
		3	190	1
285T0062-24		1	200	1
		3	205	1
285T0062-25		1	165	1
285T0062-25		3	170	1
285T0062-26		1	180	1
		3	185	1
285T0062-27		1	100	1
		3	105	1
285T0062-28		1	115	1
		3	120	1
285T0062-29		1	60	1
		3	65	1
285T0062-30		1	320	1
		3	325	1
285T0062-31		1	335	1
		3	340	1
285T0062-34		2	30B	1
285T0064-1		2	72	1
285T0064-2		2	70	1
285T0064-3		2	90	1
285T0064-4		2	95	1
285T0064-5		2	80	1
285T0065-1		2	25	1
285T0065-2		2	175	1
285T0065-3		2	175J	1
285T0065-5		2	177	1
285T0065-6		2	27	1
285T0065-7		2	178J	1
285T0155-3		2	60	1
		2	220	1
285T0223-1		1	290	1
		3	295	1
285T0223-10		1	145	1
		1	230	1
		3	150	1
		3	235	1

25-71-02

ILLUSTRATED PARTS LIST

01

Page 1024

Nov 01/02


BOEING
 COMPONENT
 MAINTENANCE MANUAL

PART NUMBER	AIRLINE PART NO.	FIG.	ITEM	TTL REQ
285T0223-11		1	80	1
		1	315	1
		3	85	1
285T0223-13		3	320	1
		1	150	1
		1	235	1
285T0223-14		3	155	1
		3	240	1
		1	160	1
285T0223-14		1	245	1
		3	165	1
285T0223-15		3	250	1
		1	85	1
285T0223-16		3	90	1
		1	95	1
285T0223-2		3	100	1
		1	135	1
		1	220	1
285T0223-5		3	140	1
		3	225	1
		1	70	1
285T0223-9		1	305	1
		3	75	1
		3	310	1
285T0297-1		1	300	1
		3	305	1
285T0297-2		1	355	2
		3	360	2
285T0297-3		1	380	2
		3	385	2
285T0297-4		1	375	2
		3	380	2
285T0298-11		1	55	1
		1	280	1
		3	60	1
		3	285	1
		1	265	1
		3	270	1

25-71-02

 ILLUSTRATED PARTS LIST
 01 Page 1025
 Nov 01/02

PART NUMBER	AIRLINE PART NO.	FIG.	ITEM	TTL REQ
285T0298-12		1	285	2
		3	290	2
285T0298-13		1	205A	1
		3	210	1
285T0298-5		1	65	4
		1	130	4
		1	215	2
		3	70	4
		3	135	4
		3	220	2
285T0298-6		1	205	1
285T0298-7		1	120	1
		3	125	1
285T0298-8		1	40	1
		3	45	1
285T0400-1		1	725	1
		3	680	1
285T0400-2		1	740	1
		3	695	1
285T1111-1		1	420	1
		3	425	1
285T1111-2		1	480	1
		3	485	1
286T0045		1	775	1
		3	725	1
4N54TXV		1	460	4
		3	465	4
7009Y103KXAAT		1	450A	14
		3	455A	14
7009Y104KXAAT		1	445B	4
		3	450B	4
900-14050-10395		1	450A	14
		3	455A	14
900-14050-10495		1	445B	4
		3	450B	4
92-1660-256		1	350	4
		3	355	4
92-1660-26		1	350	4
		3	355	4

25-71-02

 ILLUSTRATED PARTS LIST
 01 Page 1026
 Nov 01/02


BOEING
 COMPONENT
 MAINTENANCE MANUAL

PART NUMBER	AIRLINE PART NO.	FIG.	ITEM	TTL REQ		
96-40		1	600	2		
		1	605	2		
		1	610	2		
		1	615	2		
		1	760	32		
		3	590	2		
		3	595	2		
		3	600	2		
		3	715	32		
		96-62		1	415A	4
				3	420A	4
		96-82		1	710	4
				3	665	4

25-71-02

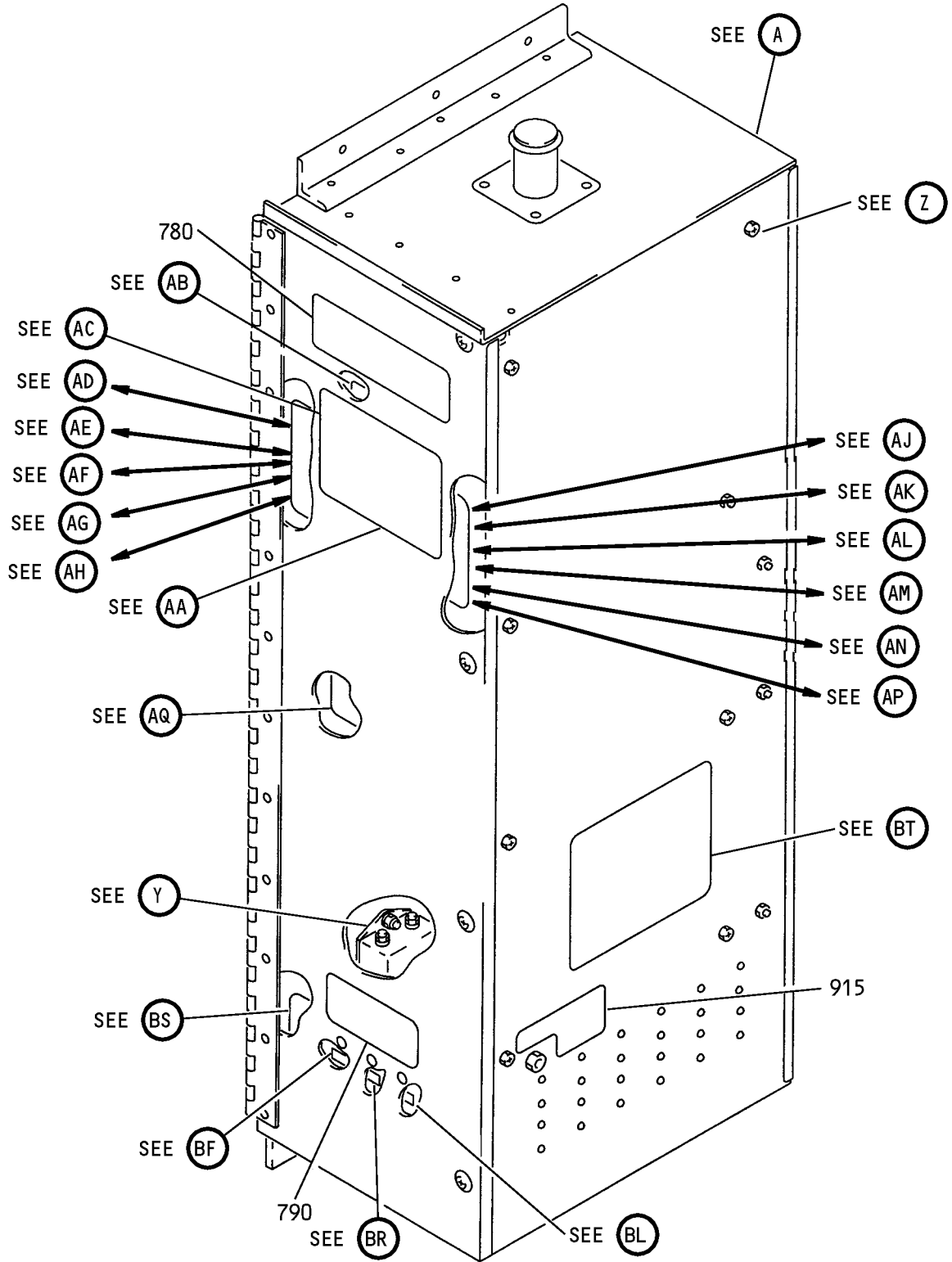
ILLUSTRATED PARTS LIST

01

Page 1027

Nov 01/02

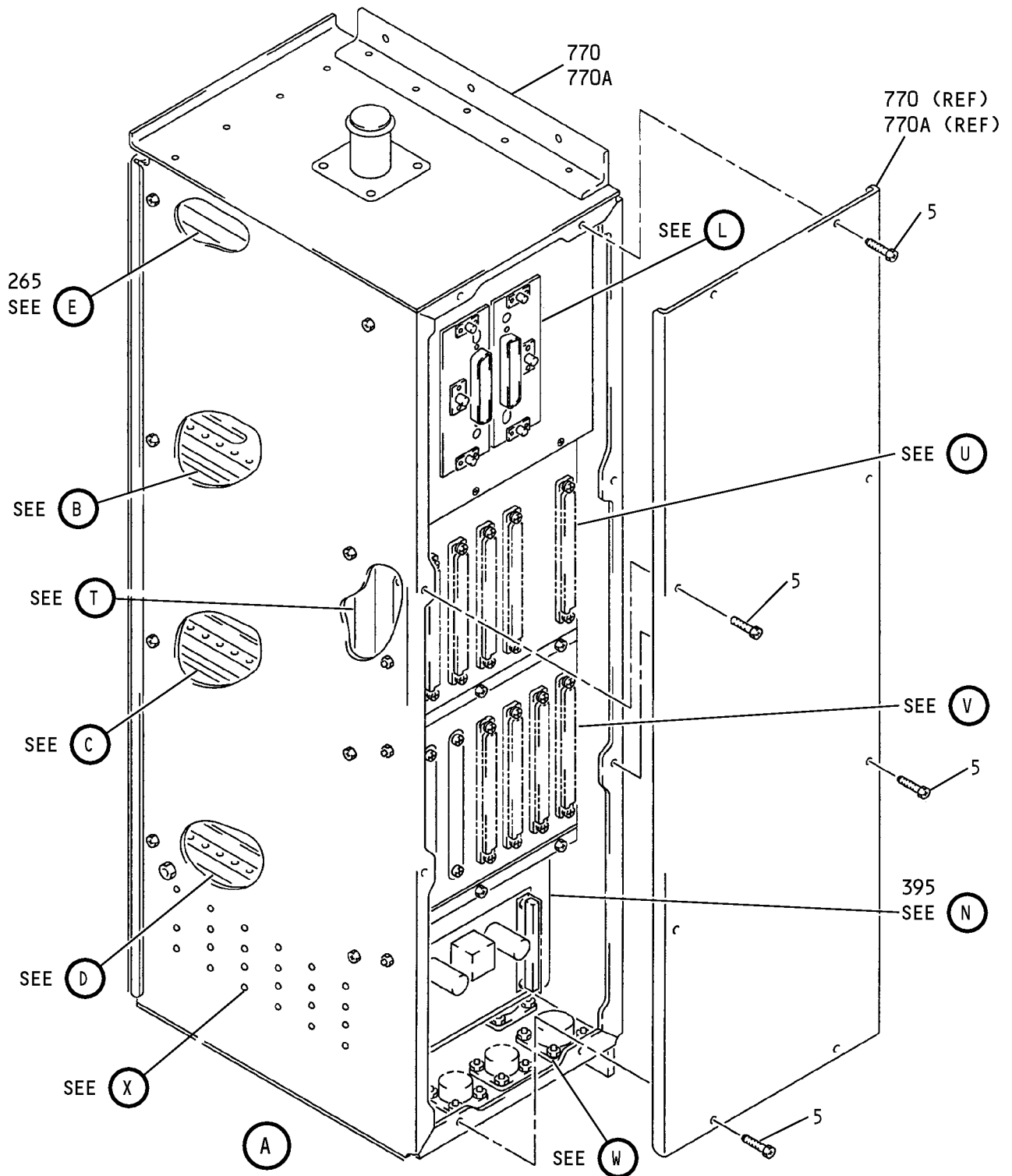
BOEING
COMPONENT
MAINTENANCE MANUAL



Warning Electronics Unit Chassis Assembly
Figure 1 (Sheet 1)

25-71-02

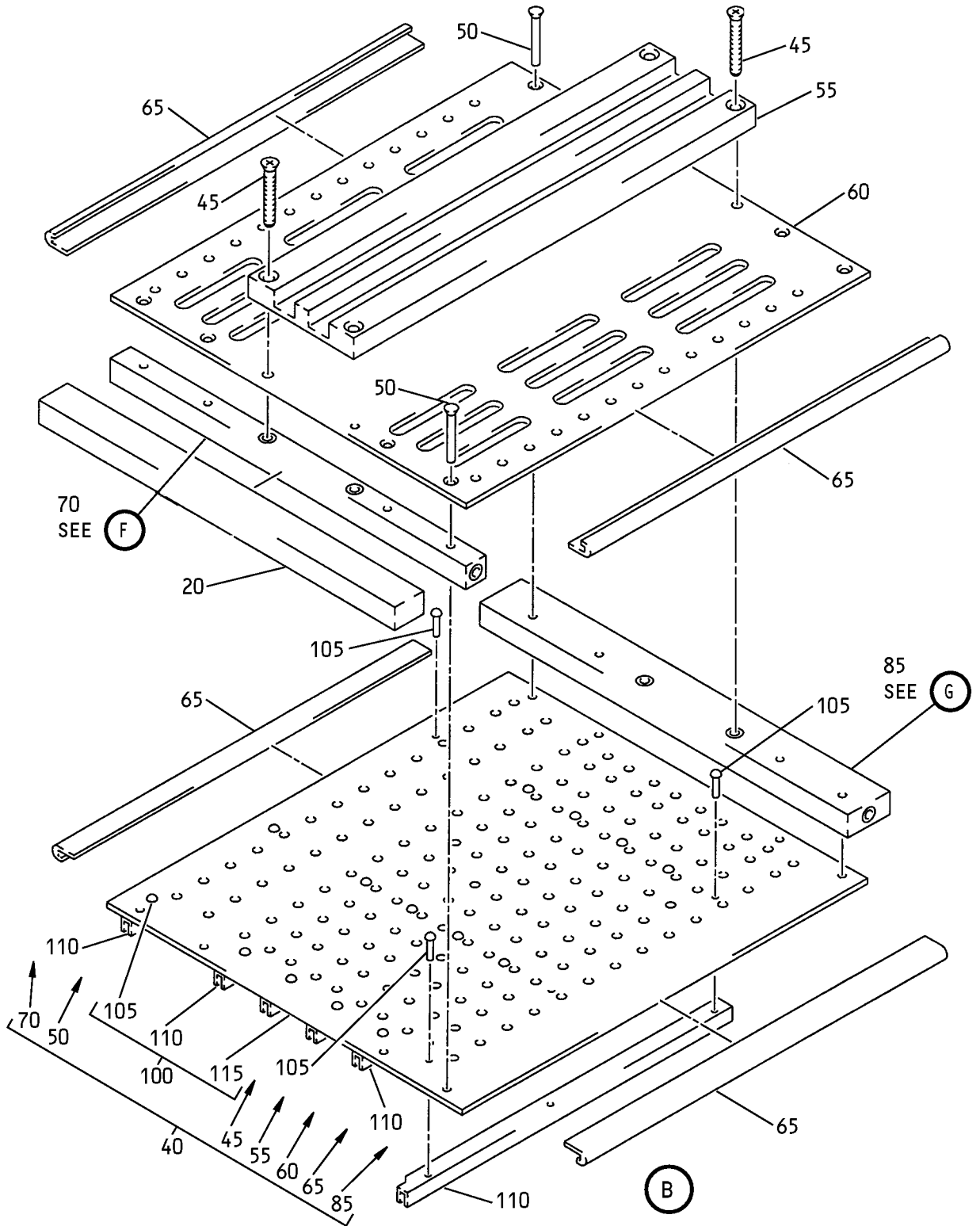
ILLUSTRATED PARTS LIST
01 Page 1029
Nov 01/02



Warning Electronics Unit Chassis Assembly
 Figure 1 (Sheet 2)

25-71-02

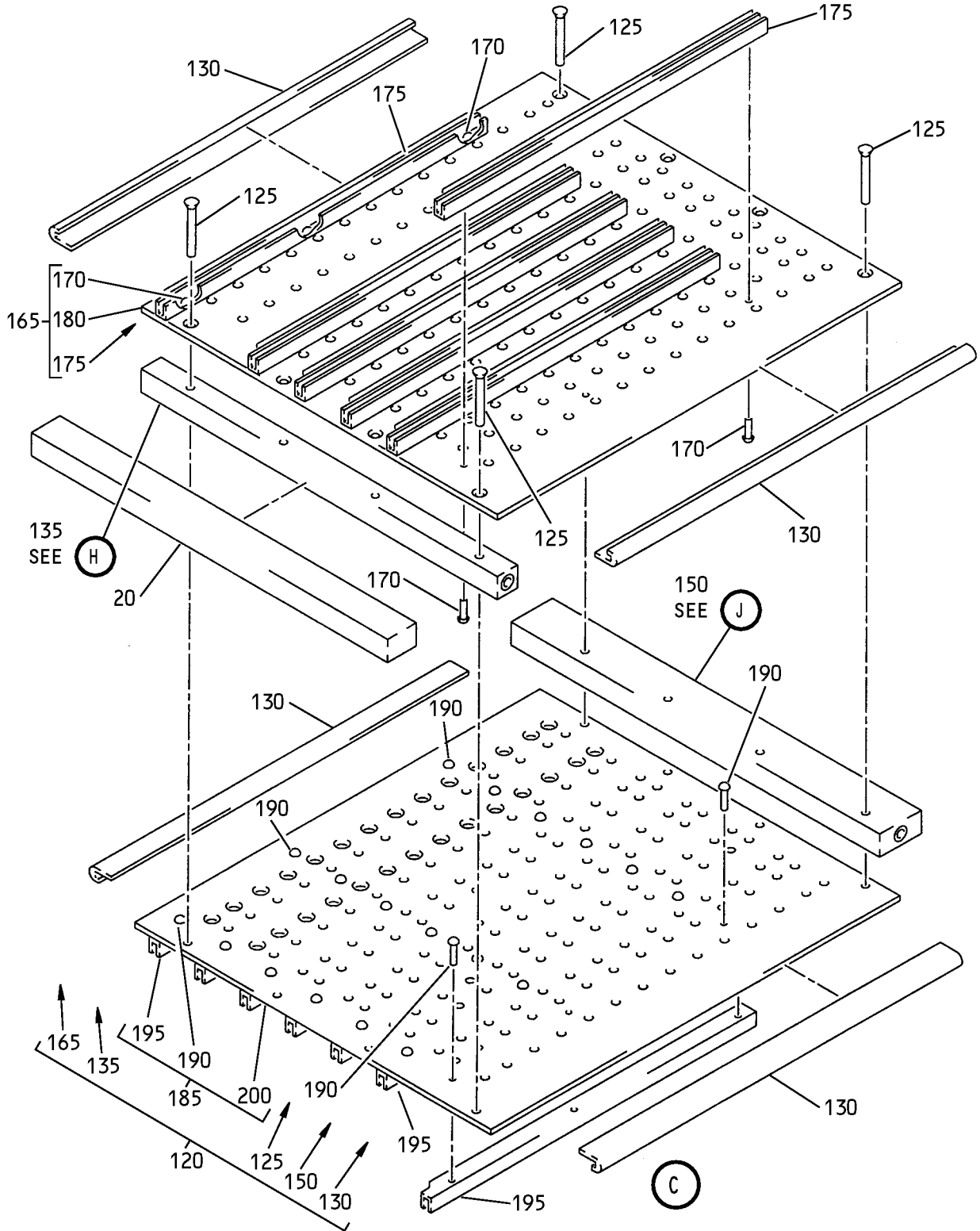
ILLUSTRATED PARTS LIST
 01 Page 1030
 Nov 01/02



Warning Electronics Unit Chassis Assembly
Figure 1 (Sheet 3)

25-71-02

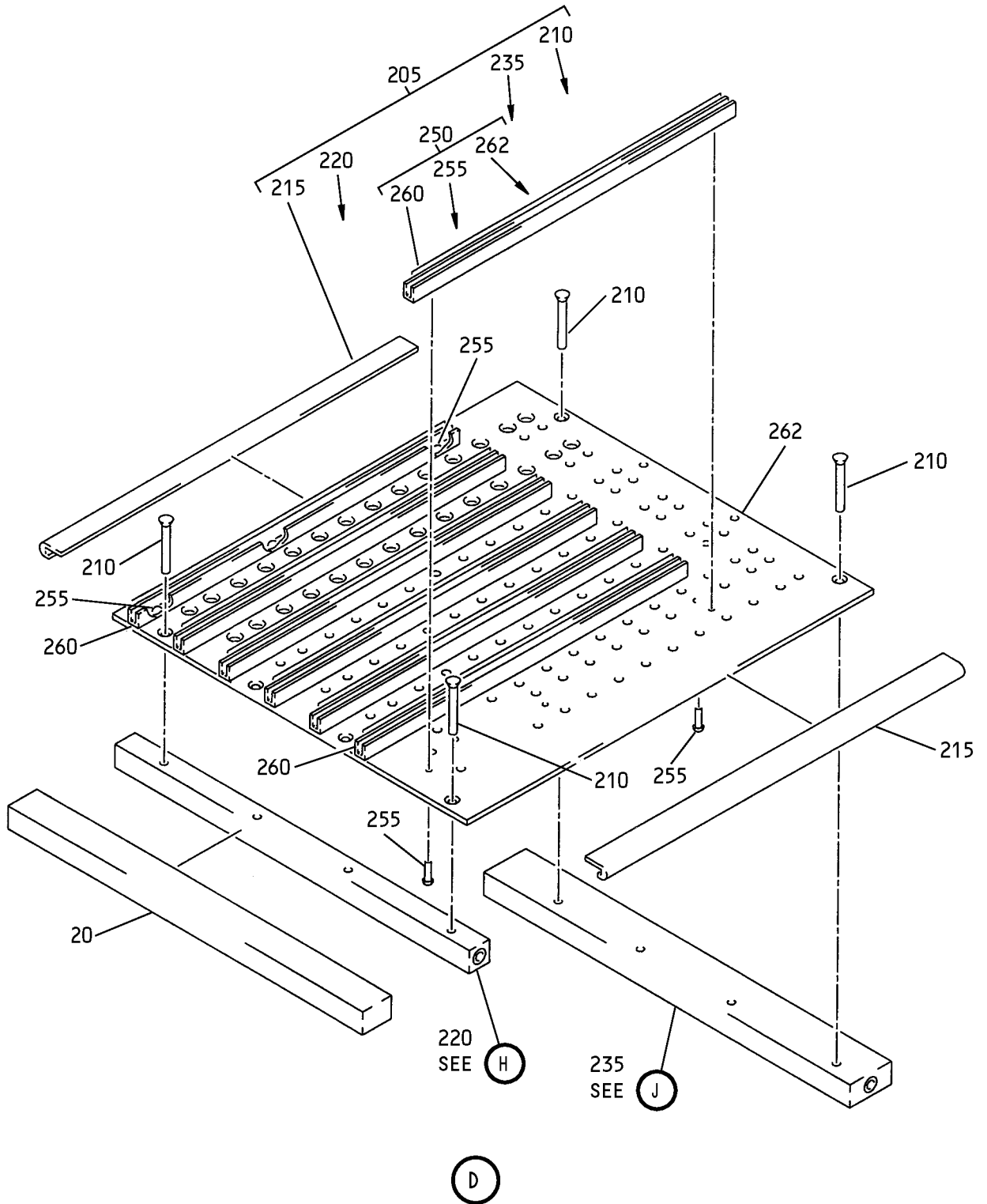
ILLUSTRATED PARTS LIST
01 Page 1031
Nov 01/02



Warning Electronics Unit Chassis Assembly
Figure 1 (Sheet 4)

25-71-02

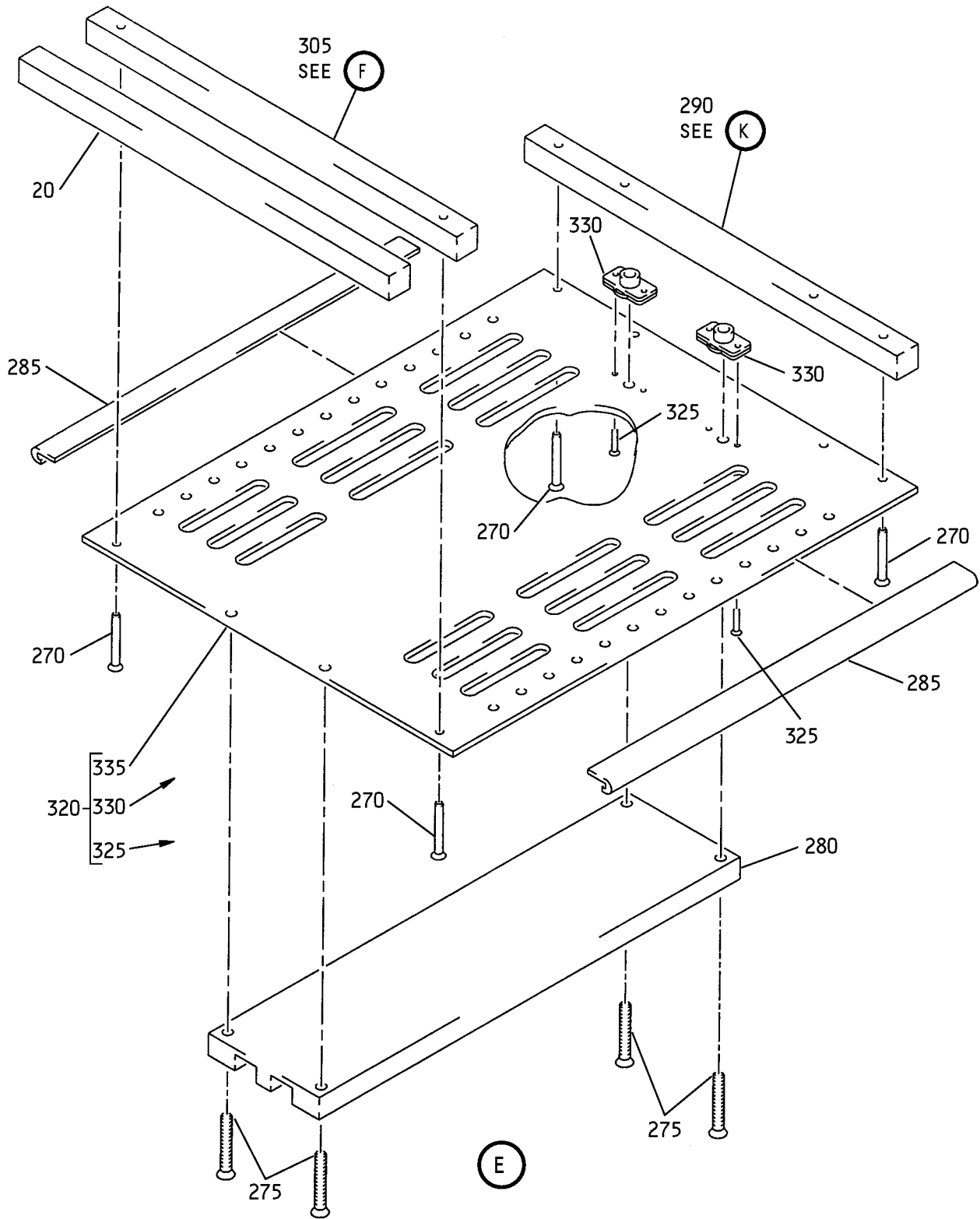
ILLUSTRATED PARTS LIST
01 Page 1032
Nov 01/02



Warning Electronics Unit Chassis Assembly
Figure 1 (Sheet 5)

25-71-02

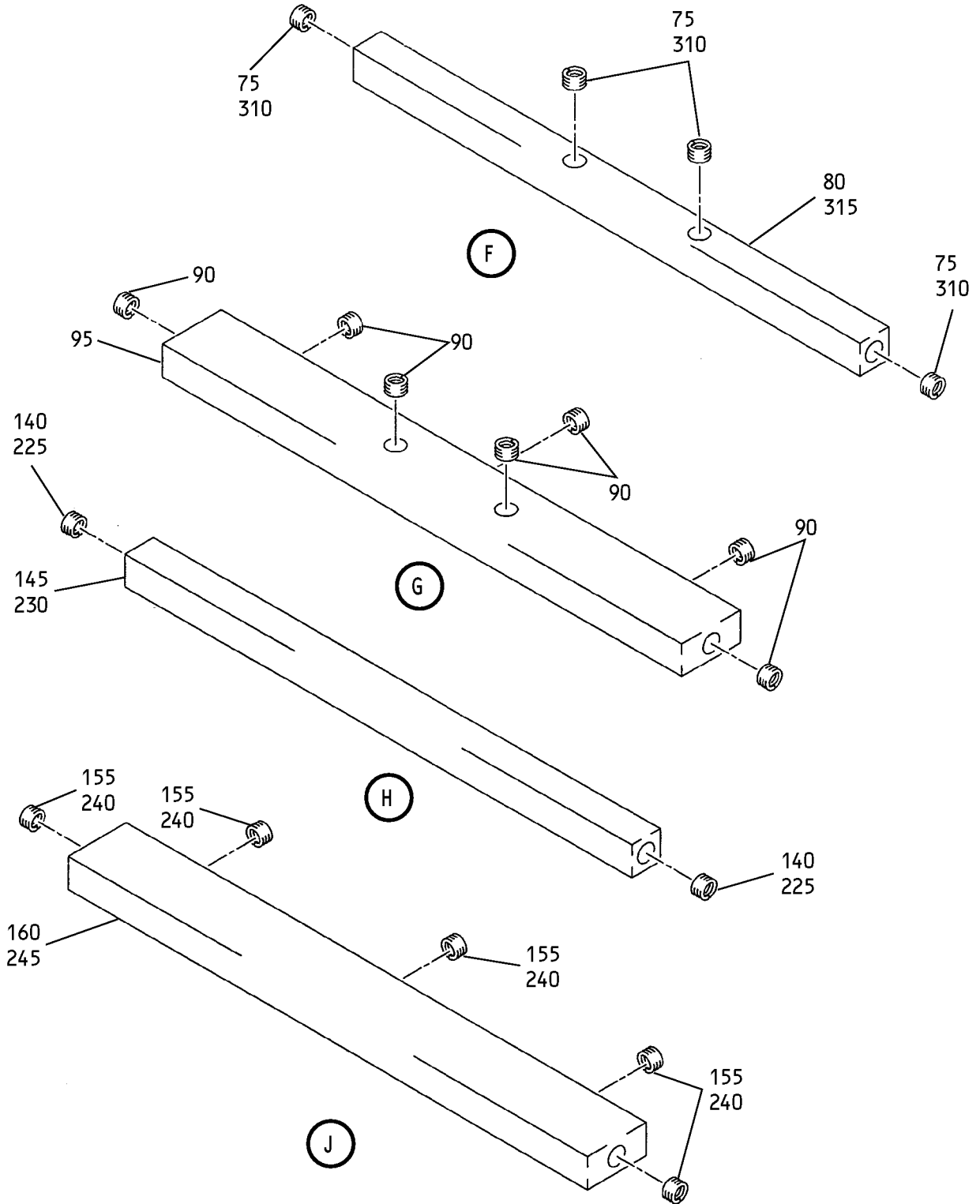
ILLUSTRATED PARTS LIST
01 Page 1033
Nov 01/02



Warning Electronics Unit Chassis Assembly
 Figure 1 (Sheet 6)

25-71-02

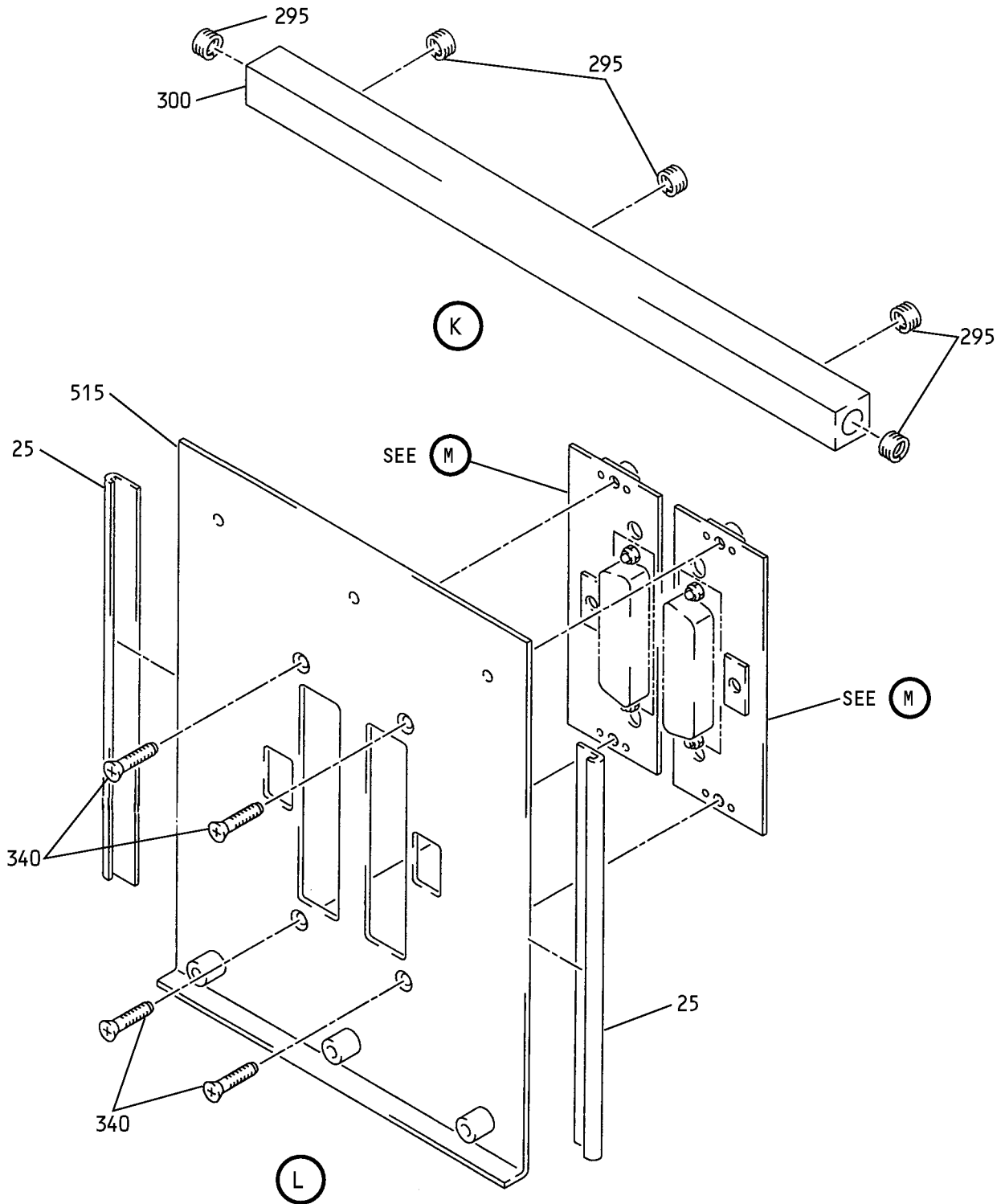
ILLUSTRATED PARTS LIST
 01 Page 1034
 Nov 01/02



Warning Electronics Unit Chassis Assembly
Figure 1 (Sheet 7)

25-71-02

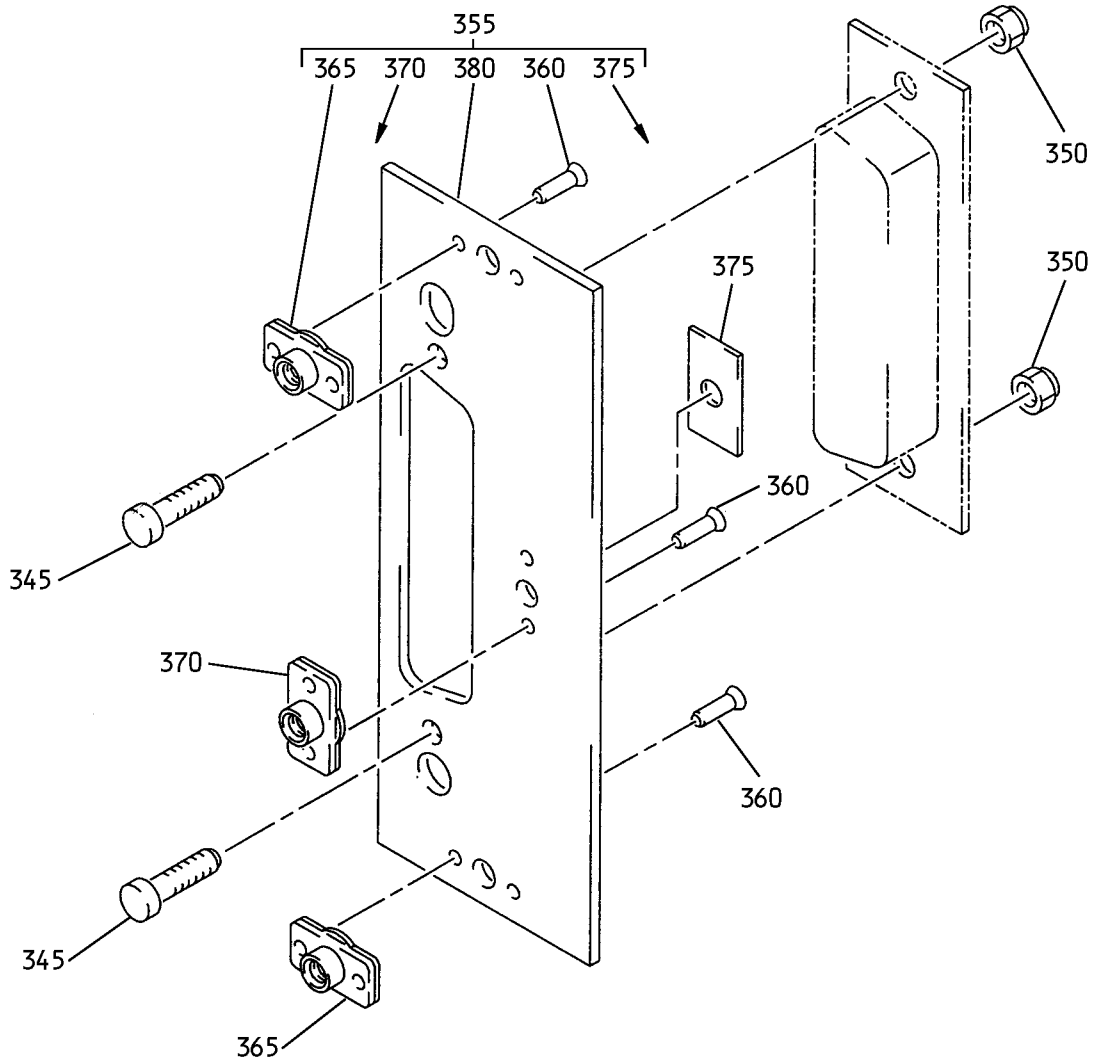
ILLUSTRATED PARTS LIST
01 Page 1035
Nov 01/02



Warning Electronics Unit Chassis Assembly
Figure 1 (Sheet 8)

25-71-02

ILLUSTRATED PARTS LIST
01 Page 1036
Nov 01/02

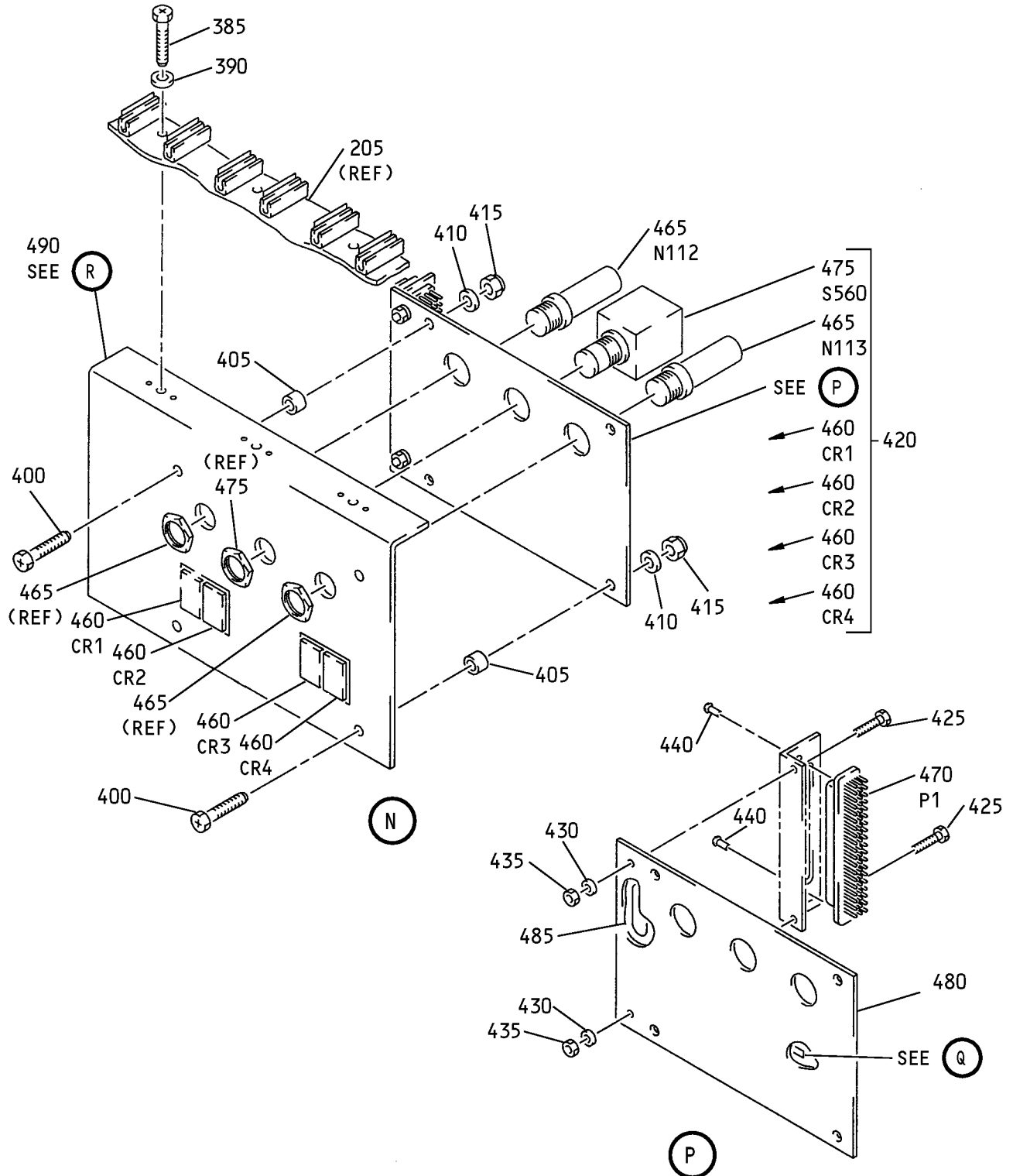


M

Warning Electronics Unit Chassis Assembly
Figure 1 (Sheet 9)

25-71-02

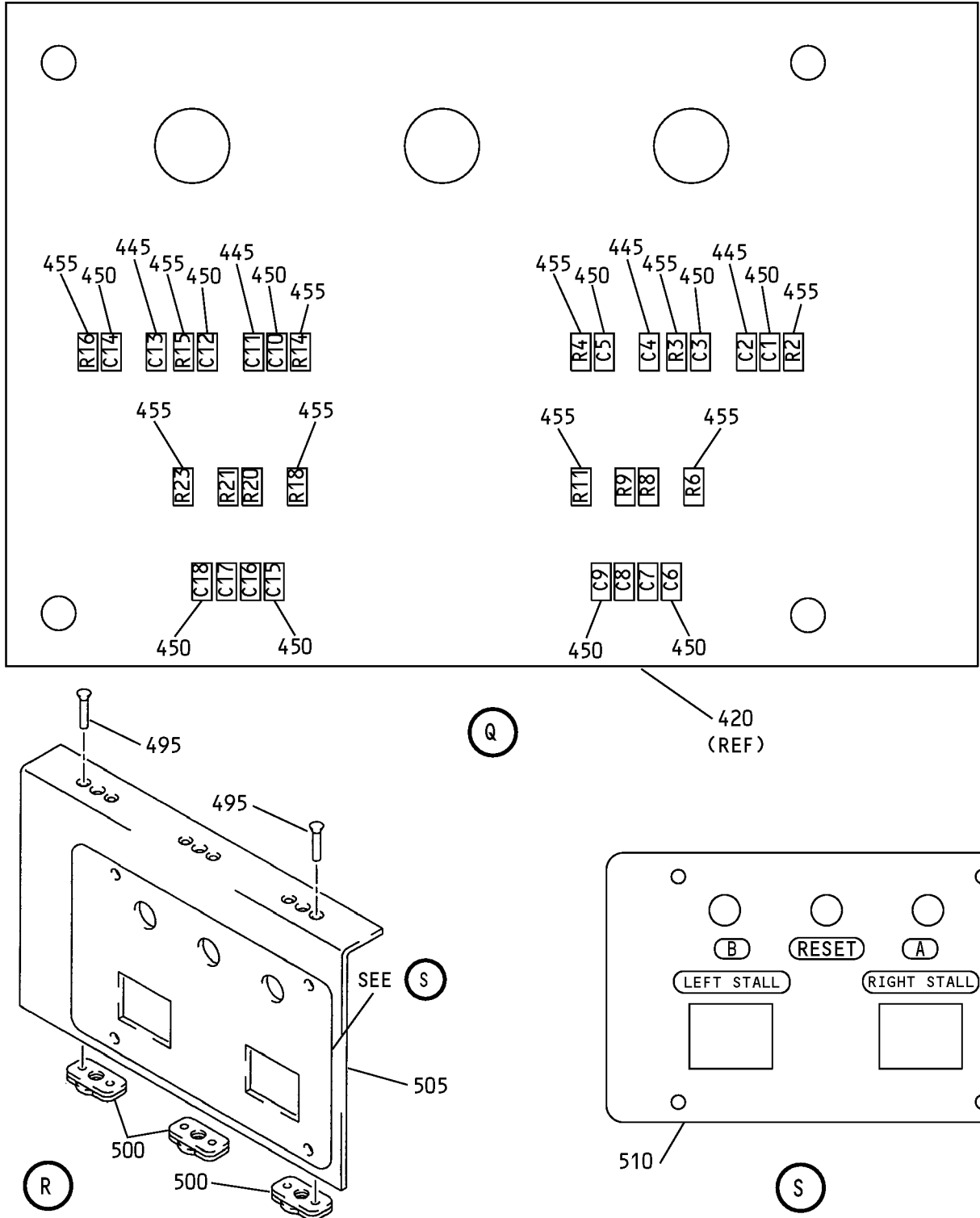
ILLUSTRATED PARTS LIST
01 Page 1037
Nov 01/02



Warning Electronics Unit Chassis Assembly
 Figure 1 (Sheet 10)

25-71-02

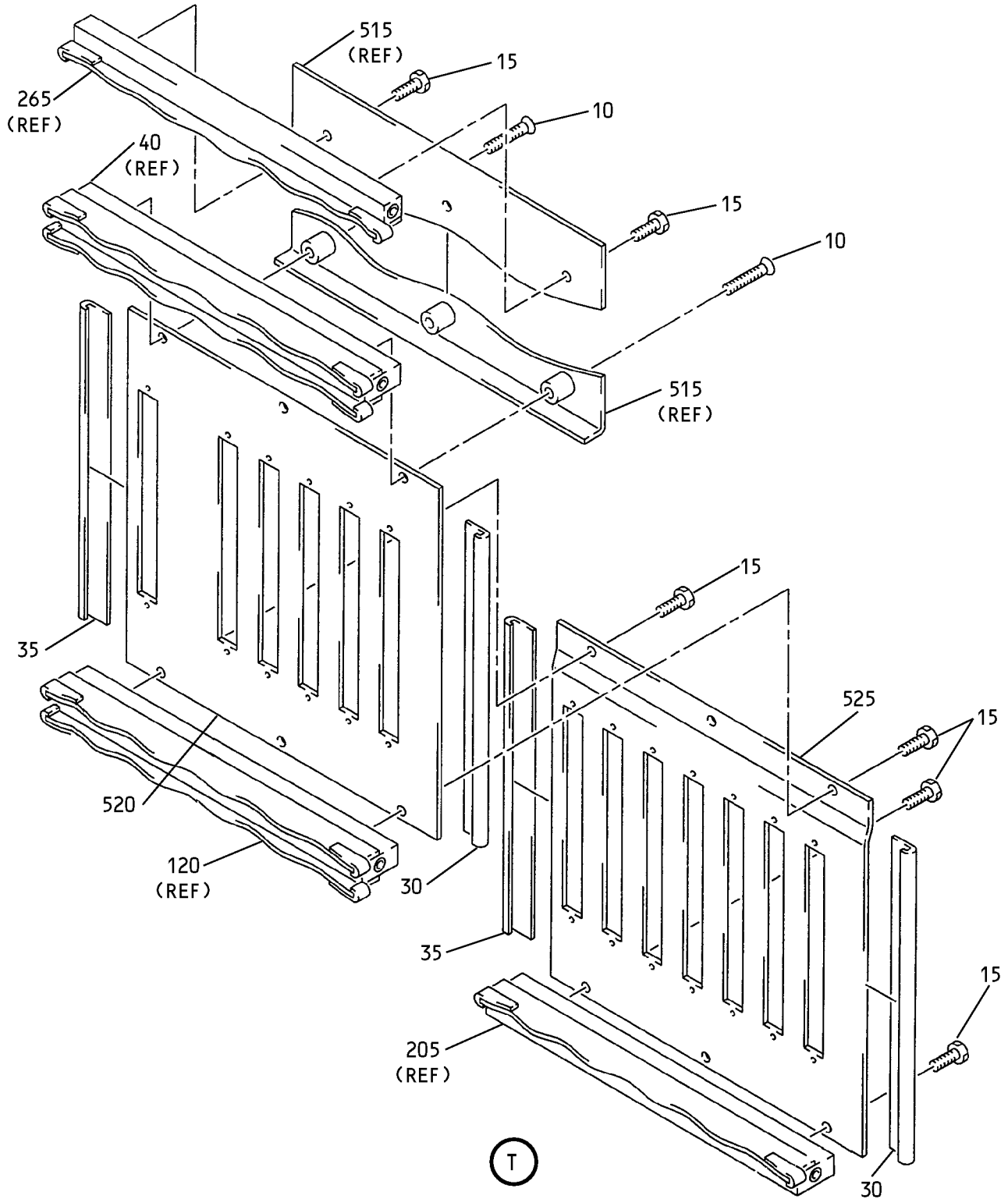
ILLUSTRATED PARTS LIST
 01 Page 1038
 Nov 01/02



Warning Electronics Unit Chassis Assembly
 Figure 1 (Sheet 11)

25-71-02

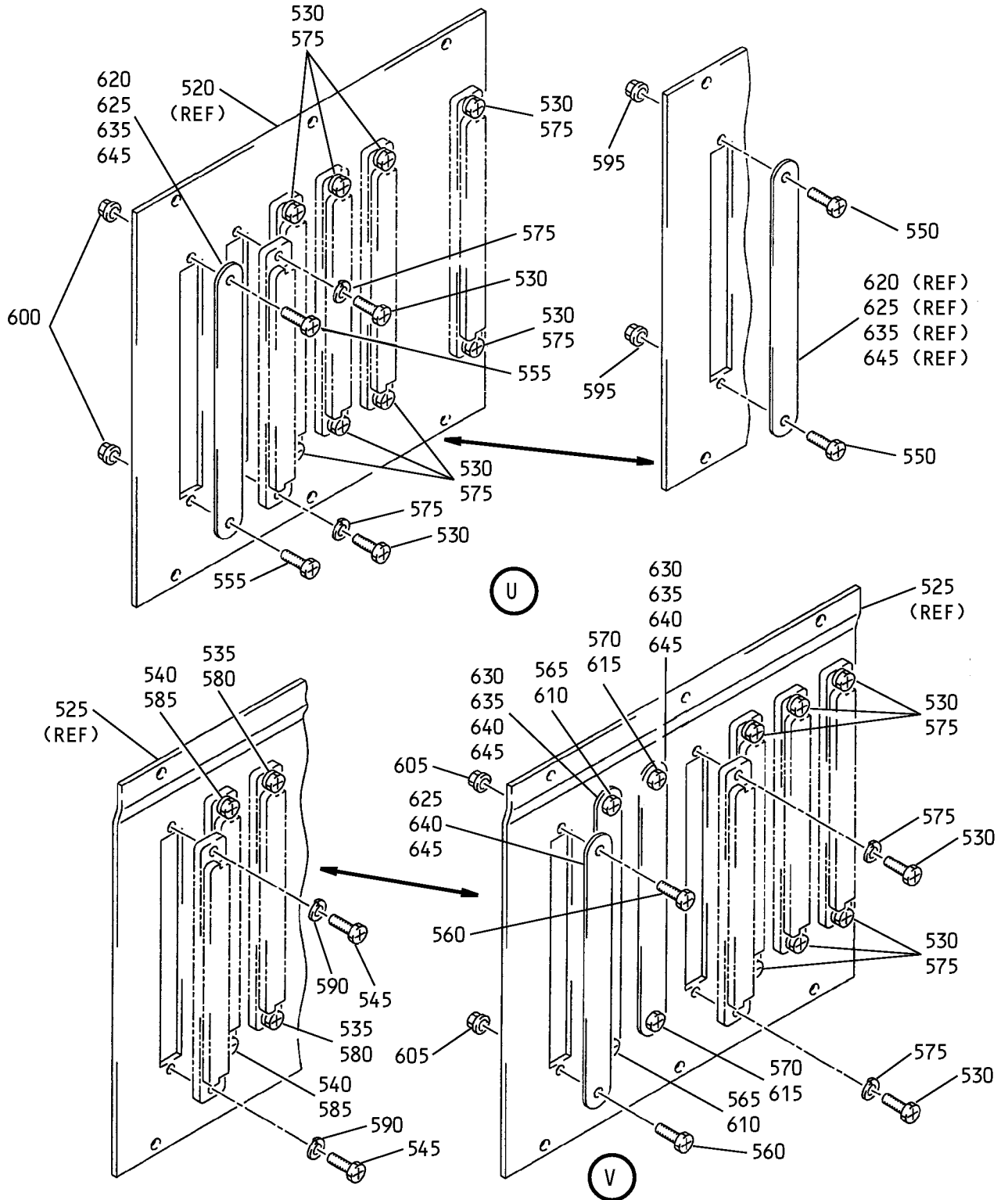
ILLUSTRATED PARTS LIST
 01 Page 1039
 Nov 01/02



Warning Electronics Unit Chassis Assembly
 Figure 1 (Sheet 12)

25-71-02

ILLUSTRATED PARTS LIST
 01 Page 1040
 Nov 01/02



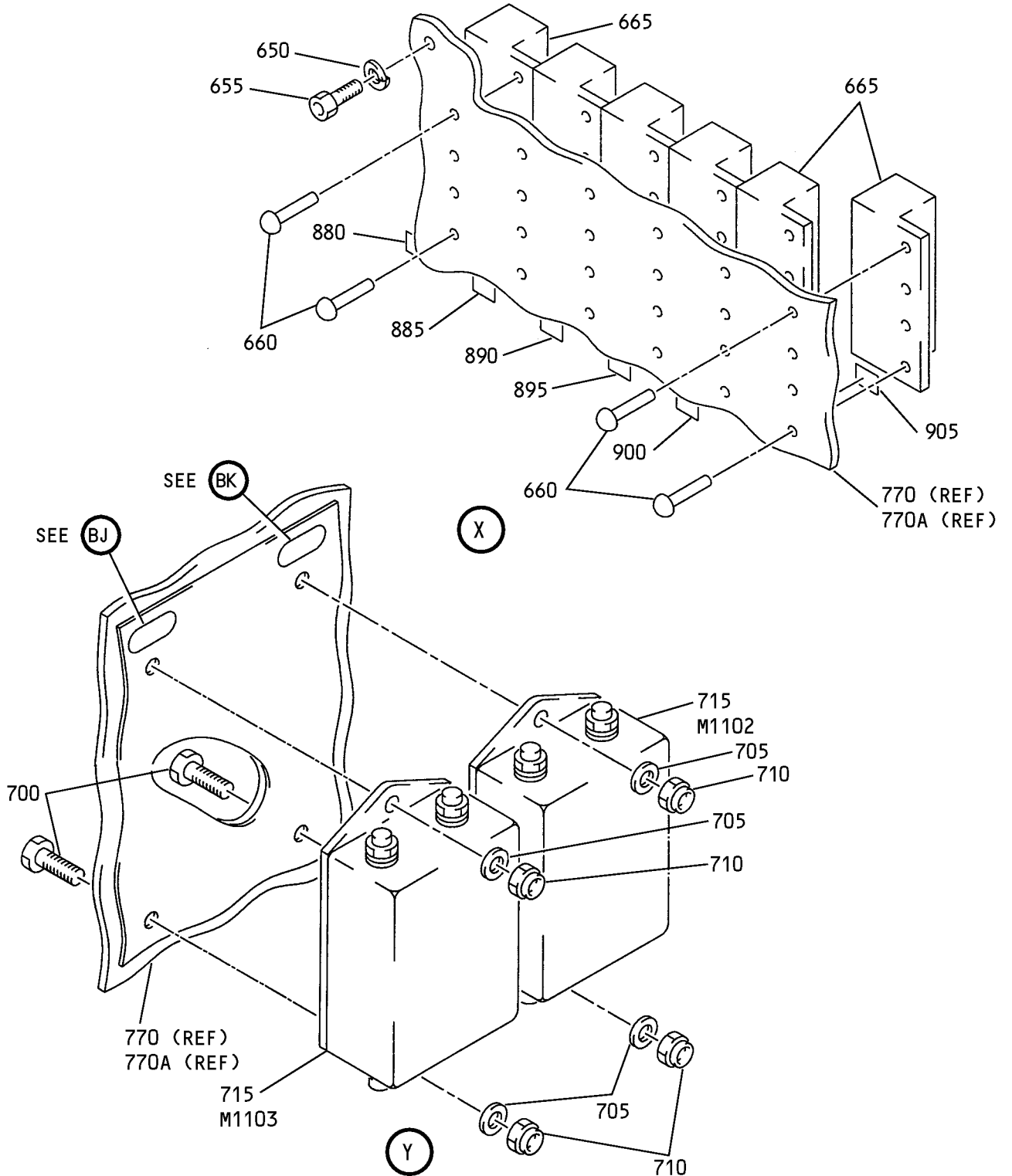
Warning Electronics Unit Chassis Assembly
Figure 1 (Sheet 13)

25-71-02

ILLUSTRATED PARTS LIST
01 Page 1041
Nov 01/02

BOEING

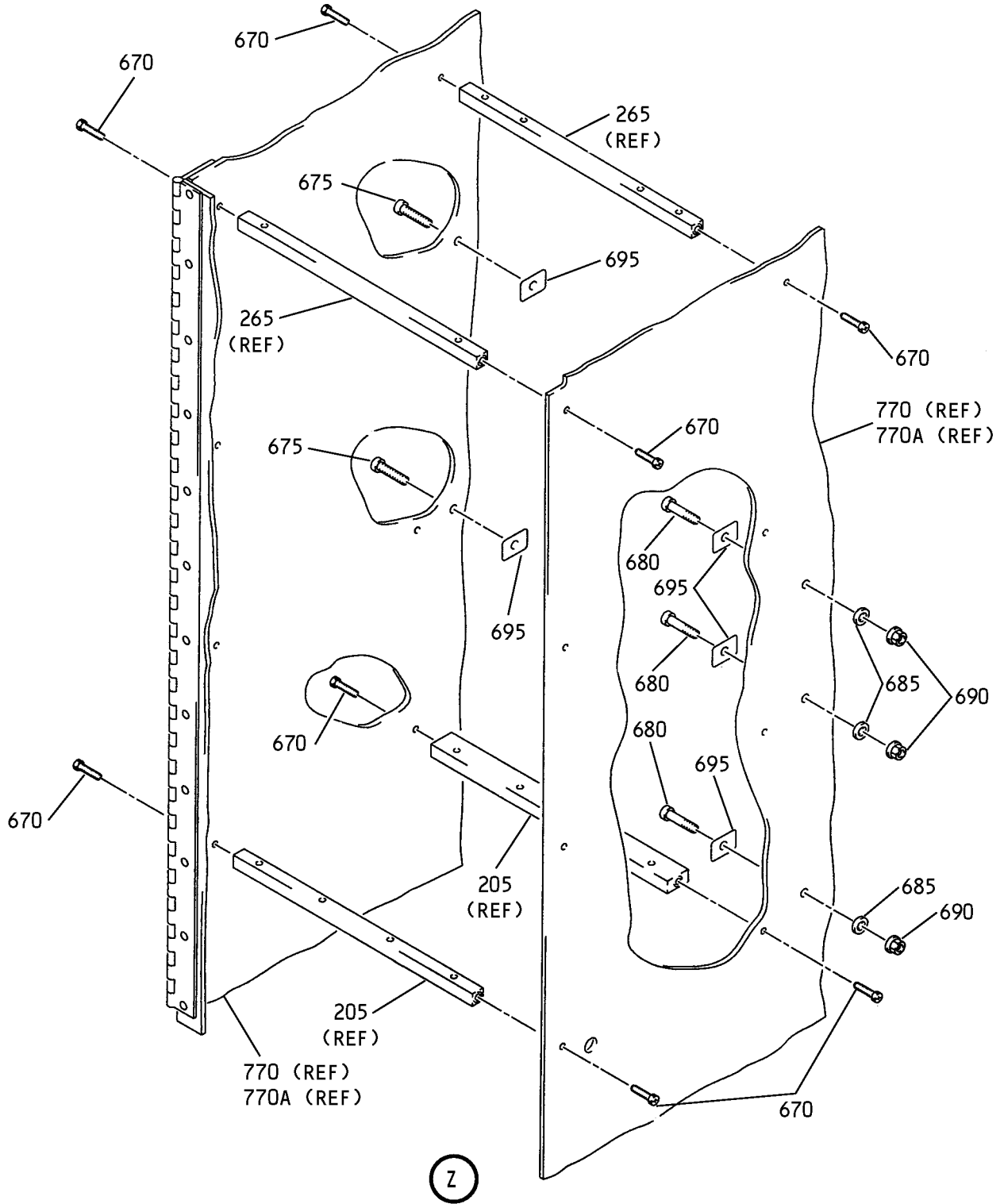
COMPONENT
MAINTENANCE MANUAL



Warning Electronics Unit Chassis Assembly
Figure 1 (Sheet 15)

25-71-02


ILLUSTRATED PARTS LIST
01 Page 1043
Nov 01/02



Warning Electronics Unit Chassis Assembly
 Figure 1 (Sheet 16)

25-71-02


ILLUSTRATED PARTS LIST
 01 Page 1044
 Nov 01/02



ATTENTION

THIS UNIT CONTAINS STATIC SENSITIVE DEVICES. CONNECT GROUNDING WRIST STRAP TO ELECTROSTATIC GROUND JACK LOCATED AT THE LOWER RIGHT HAND SIDE OF THIS UNIT.

785



CAUTION

OBSERVE PRECAUTIONS FOR HANDLING ELECTROSTATIC SENSITIVE DEVICES

795

BAC27TEX2017

BAC27TEX1

AA

AB

800

**WARNING ELECTRONICS
 UNIT CARD FILE P51**

M616		M621			
M1000	M999	M619	M617	M618	
M615	M938	M983	M620		

M615-285T0033
 M616-285T0035
 M617-285T0030
 M618-285T0032
 M619-285T0034
 M620-285T0259
 M621-285T0035
 M938-285T0033
 M983-285T0031
 M999-285T0034
 M1000-285T0385

BAC27TEX1664

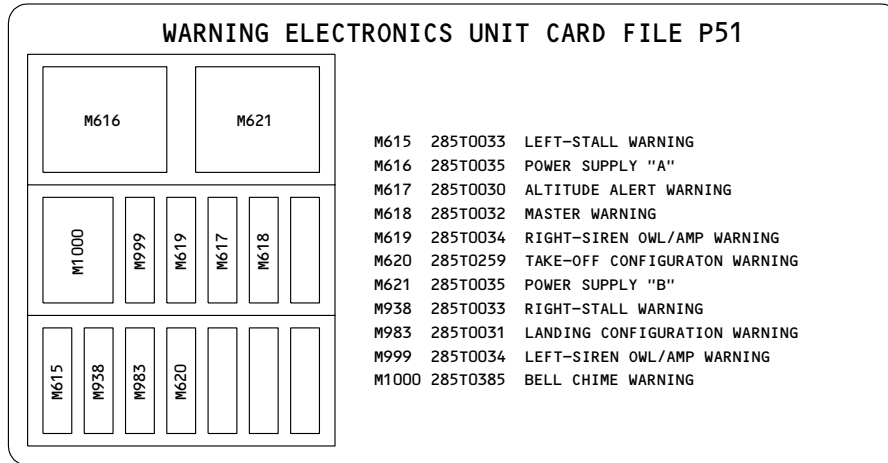
AC

Warning Electronics Unit Chassis Assembly
 Figure 1 (Sheet 17)

25-71-02

ILLUSTRATED PARTS LIST
 01 Page 1045
 Nov 01/02

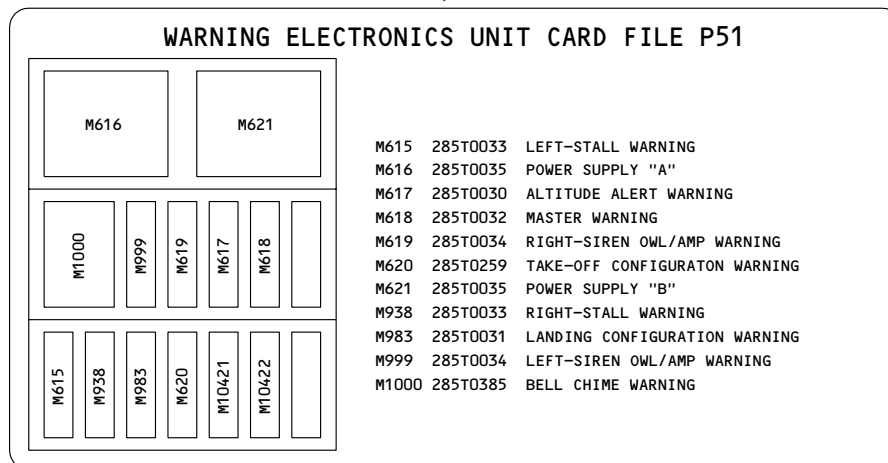
805



BAC27TEX3555

AD

810



BAC27TEX3556

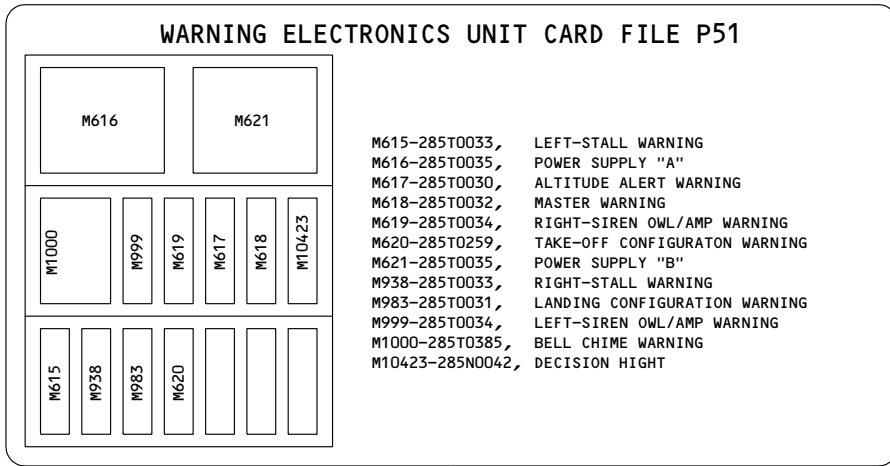
AE

Warning Electronics Unit Chassis Assembly
 Figure 1 (Sheet 18)

25-71-02

ILLUSTRATED PARTS LIST
 01 Page 1046
 Nov 01/02

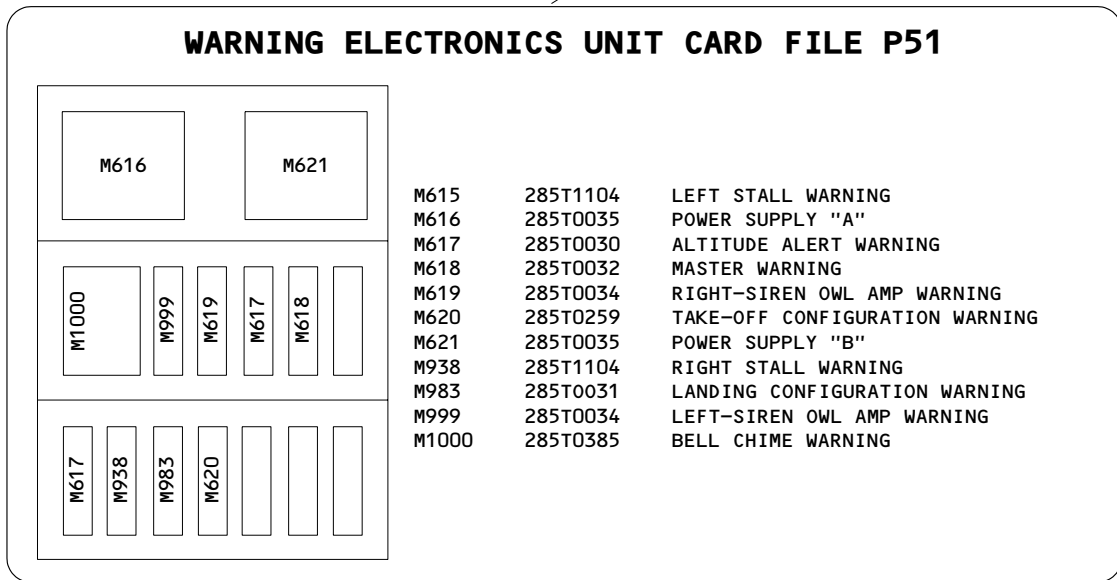
815



BAC27TEX3630

AF

820



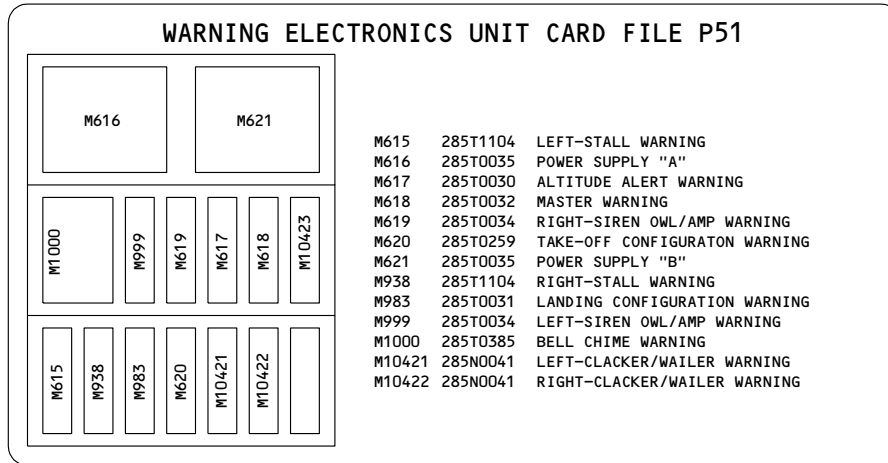
AG

Warning Electronics Unit Chassis Assembly
 Figure 1 (Sheet 19)

25-71-02

ILLUSTRATED PARTS LIST
 01 Page 1047
 Nov 01/02

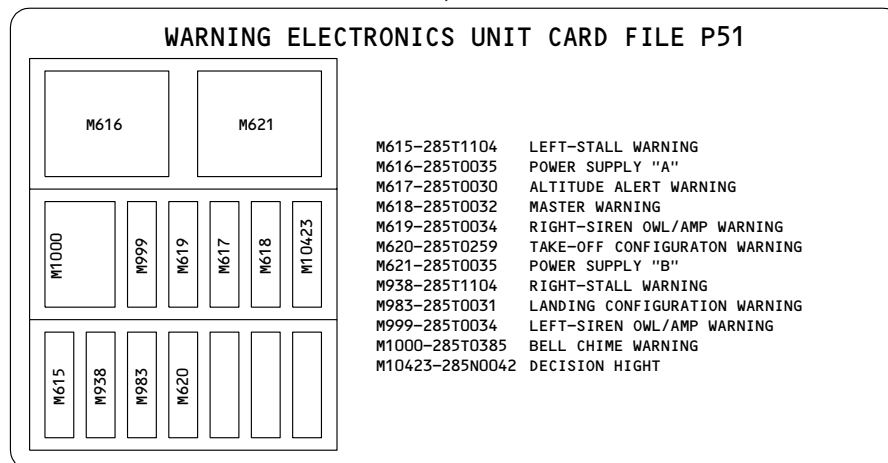
825



BAC27TEX3776

AH

830



BAC27TEX3787

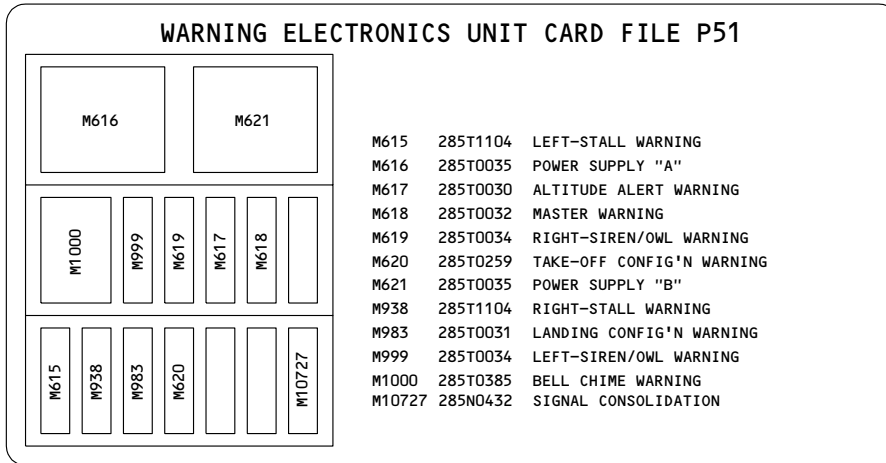
AJ

Warning Electronics Unit Chassis Assembly
 Figure 1 (Sheet 20)

25-71-02

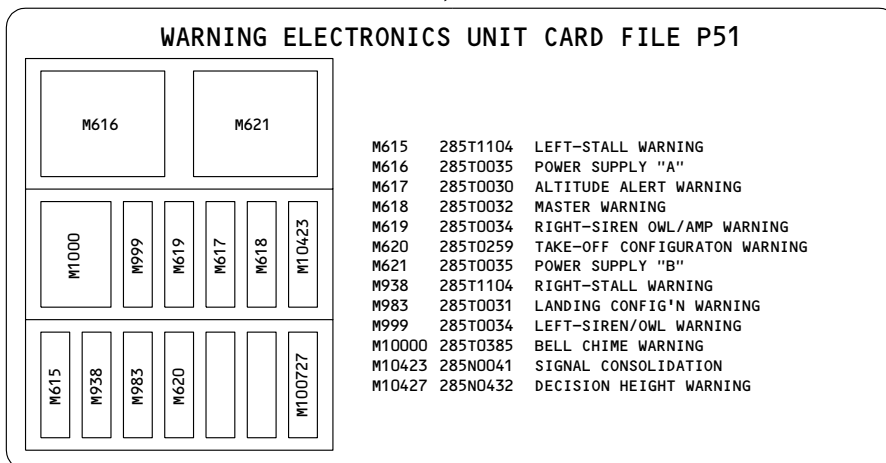
ILLUSTRATED PARTS LIST
 01 Page 1048
 Nov 01/02

835



AK

840



BAC27TEX4337

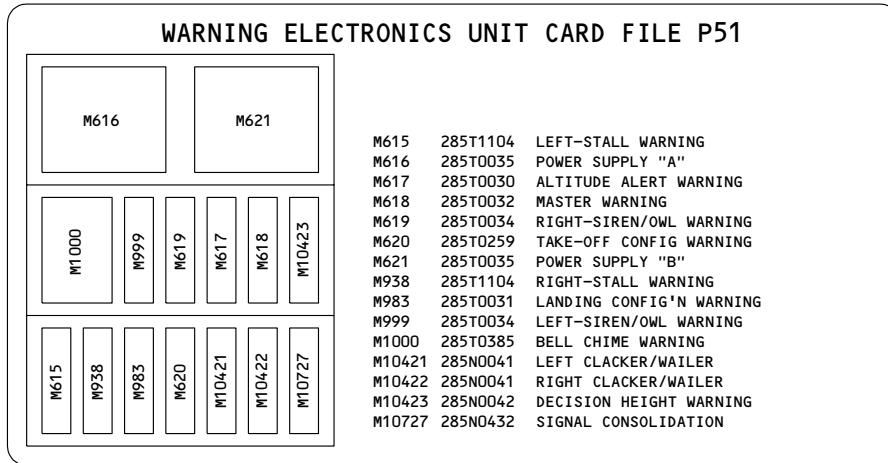
AL

Warning Electronics Unit Chassis Assembly
 Figure 1 (Sheet 21)

25-71-02

ILLUSTRATED PARTS LIST
 01 Page 1049
 Nov 01/02

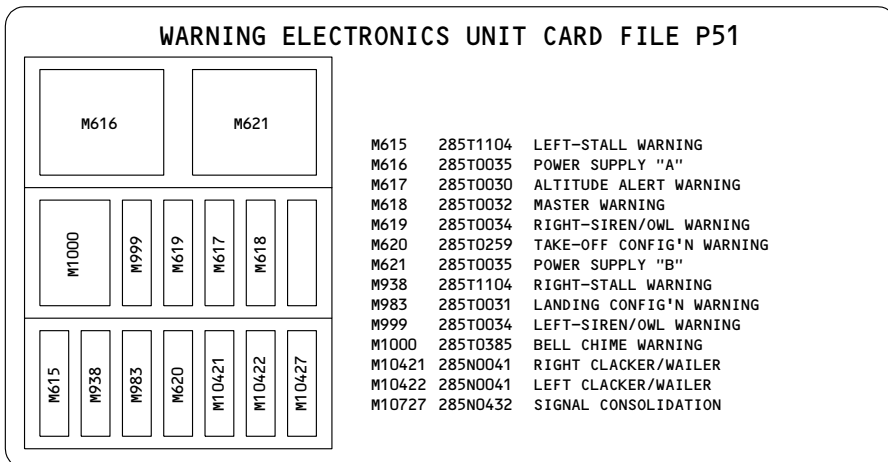
845



BAC27TEX4563

AM

850



BAC27TEX4565

AN

Warning Electronics Unit Chassis Assembly
 Figure 1 (Sheet 22)

25-71-02

ILLUSTRATED PARTS LIST
 01 Page 1050
 Nov 01/02

855

WARNING ELECTRONICS UNIT CARD FILE P51

M616	M621	
M1000	M999	M619
M615	M938	M983
M620	M617	M618
M10427	M10423	

M615	285T1104	LEFT-STALL WARNING
M616	285T0035	POWER SUPPLY "A"
M617	285T0030	ALTITUDE ALERT WARNING
M618	285T0032	MASTER WARNING
M619	285T0034	RIGHT-SIREN/OWL WARNING
M620	285T0259	TAKE-OFF CONFIG'N WARNING
M621	285T0035	POWER SUPPLY "B"
M938	285T1104	RIGHT-STALL WARNING
M983	285T0031	LANDING CONFIG'N WARNING
M999	285T0034	LEFT-SIREN/OWL WARNING
M1000	285T0385	BELL CHIME WARNING
M10423	285N0042	DECISION HIGHT WARNING
M10727	285N0432	SIGNAL CONSOLIDATION

BAC27TEX4726

AP

860

TO INSTALL PRINTED CIRCUIT ASSEMBLIES IN CARD FILES:

1. WITH TOP & BOTTOM CARD GUIDE TENSION LEVERS IN THE OPEN POSITION, SLIDE CARD ASSY INTO GUIDES UNTIL CONNECTOR IS MATED.
2. PRESS HARD ON BOTH EXTRACTORS TO BOTTOM OUT CONNECTOR
3. CLOSE TOP & BOTTOM CARD GUIDE TENSION LEVERS.

NOTE: PULLING ON EXTRACTORS AUTOMATICALLY OPENS TENSION LEVERS FOR REMOVAL.

AQ

Warning Electronics Unit Chassis Assembly
 Figure 1 (Sheet 23)

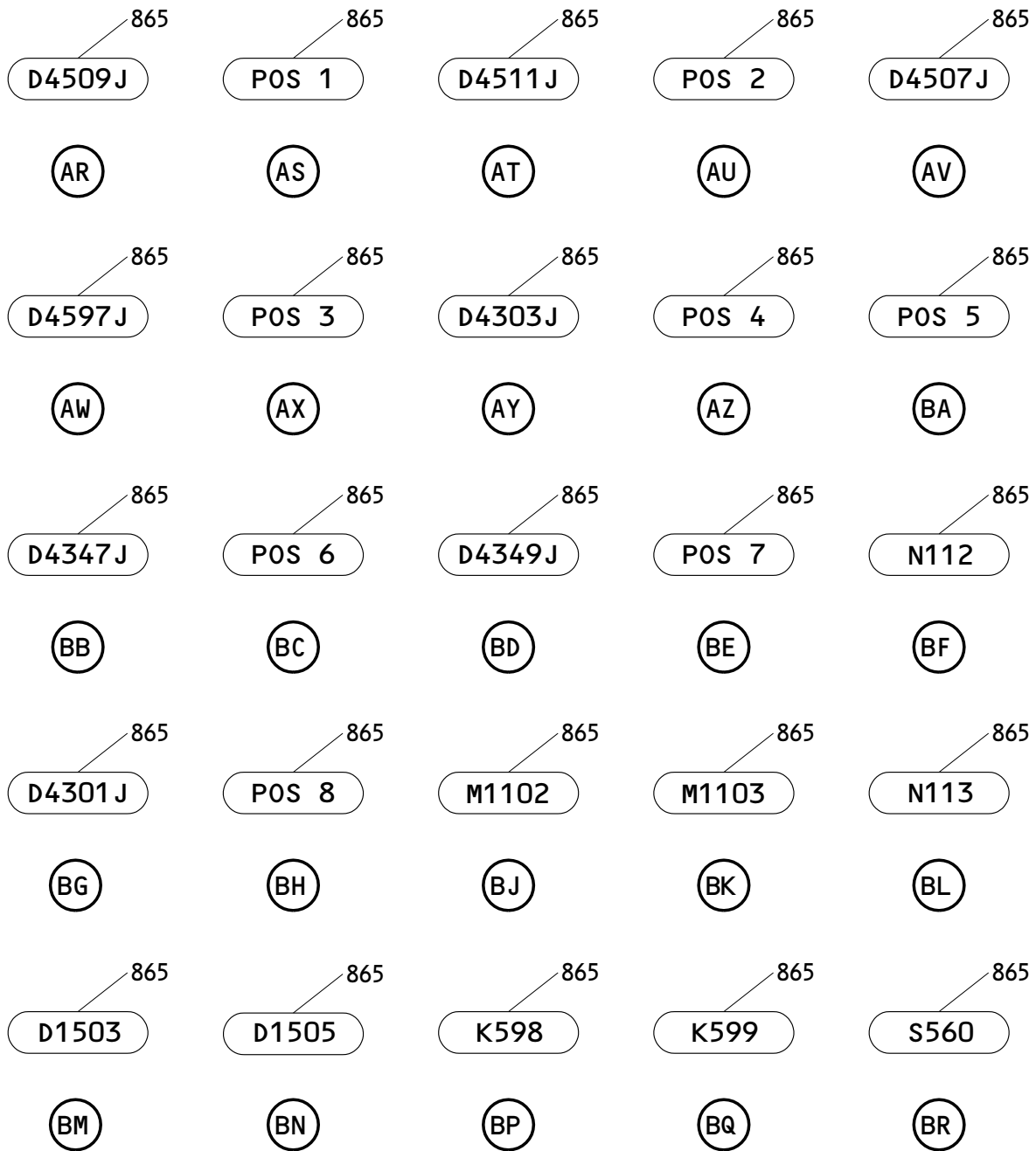
25-71-02

ILLUSTRATED PARTS LIST

01

Page 1051

Nov 01/02



Warning Electronics Unit Chassis Assembly
 Figure 1 (Sheet 24)

25-71-02

870

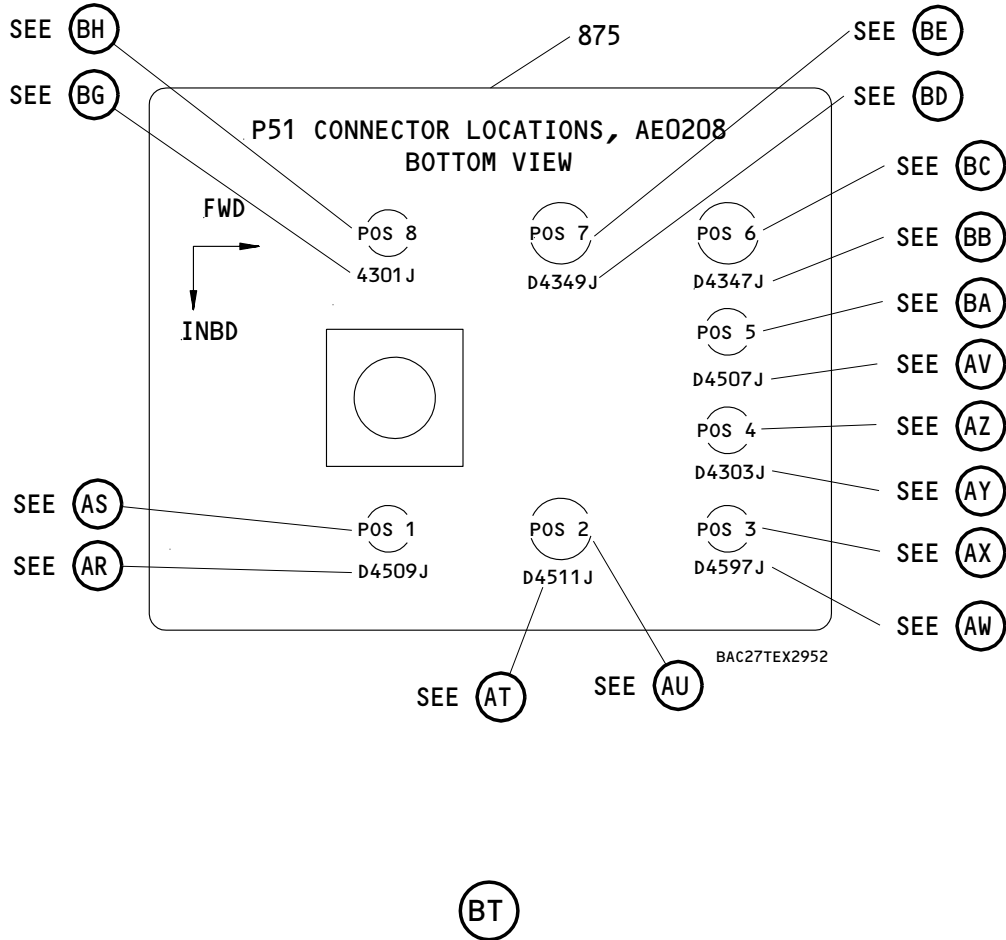
WEU STATUS DISPLAY																					
<p>POWER SUPPLY M616 AND M621 STATUS: YELLOW FAULT BALL INDICATES POSSIBLE FAULTY M616(L) OR M621(R). TO RESET FAULT BALL SWITCH L OR R POWER OFF MOMENTARILY THEN REAPPLY POWER. MOMENTARILY PRESS RESET BUTTON. NOTE: A FAULTY POWER SUPPLY WILL NOT RESET.</p>																					
<p>STALL WARNING M615 AND M938 STATUS: ONLY 1 TWO-DIGIT CODE WILL BE DISPLAYED FOR EACH STALL WARNING COMPUTER (L:M615, R:M938) REGARDLESS OF THE NUMBER OF FAULTS/ANOMALIES PRESENT. THE PRIORITY OF DISPLAY IS: SWC FAULTS AD-C5 INTERFACE ANOMALIES D0-D9 CONFIG ID 1,2,3/0-F</p>																					
<p>CONFIG ID: 1X - NORMAL 767-300 2X - NORMAL 767-300 (ER WING) 3X - NORMAL 767-200 FX - INVALID CONFIGURATION (X = OPTION VALUES O THROUGH F) INTERFACE ANOMALIES: D0 STICK SHAKER INOP D1 ADC INPUT INVALID D2 FLAPS POSN INVALID D3 SPEED BREAKS INVALID D4 MULTIPLE LE SLATS D5 NO LEADING EDGE SLATS D6 IRS INPUT INVALID D7 FMA INPUT INVALID D8 AIR/GND CONFLICT D9 OPPOSITE CHANNEL</p>	<p>SWC FAULTS:</p> <table style="width: 100%; border: none;"> <tr> <td style="width: 50%;">A0 MULTIPLE FAULTS</td> <td style="width: 50%;">B0 IN DISC #10</td> </tr> <tr> <td>A1 IN DISC #1</td> <td>B1 IN DISC #11</td> </tr> <tr> <td>A2 IN DISC #2</td> <td>B2 IN DISC #12</td> </tr> <tr> <td>A3 IN DISC #3</td> <td>B6 ARINC IN</td> </tr> <tr> <td>A4 IN DISC #4</td> <td>C0 A/D</td> </tr> <tr> <td>A5 IN DISC #5</td> <td>C1 OUT DISC #1</td> </tr> <tr> <td>A6 IN DISC #6</td> <td>C2 OUT DISC #2</td> </tr> <tr> <td>A7 IN DISC #7</td> <td>C3 OUT DISC #3</td> </tr> <tr> <td>A8 IN DISC #8</td> <td>C4 OUT DISC #4</td> </tr> <tr> <td>A9 IN DISC #9</td> <td>C5 OUT DISC #5</td> </tr> </table>	A0 MULTIPLE FAULTS	B0 IN DISC #10	A1 IN DISC #1	B1 IN DISC #11	A2 IN DISC #2	B2 IN DISC #12	A3 IN DISC #3	B6 ARINC IN	A4 IN DISC #4	C0 A/D	A5 IN DISC #5	C1 OUT DISC #1	A6 IN DISC #6	C2 OUT DISC #2	A7 IN DISC #7	C3 OUT DISC #3	A8 IN DISC #8	C4 OUT DISC #4	A9 IN DISC #9	C5 OUT DISC #5
A0 MULTIPLE FAULTS	B0 IN DISC #10																				
A1 IN DISC #1	B1 IN DISC #11																				
A2 IN DISC #2	B2 IN DISC #12																				
A3 IN DISC #3	B6 ARINC IN																				
A4 IN DISC #4	C0 A/D																				
A5 IN DISC #5	C1 OUT DISC #1																				
A6 IN DISC #6	C2 OUT DISC #2																				
A7 IN DISC #7	C3 OUT DISC #3																				
A8 IN DISC #8	C4 OUT DISC #4																				
A9 IN DISC #9	C5 OUT DISC #5																				



Warning Electronics Unit Chassis Assembly
 Figure 1 (Sheet 25)

25-71-02

ILLUSTRATED PARTS LIST
 01 Page 1053
 Nov 01/02



(BT)

Warning Electronics Unit Chassis Assembly
 Figure 1 (Sheet 26)

25-71-02

ILLUSTRATED PARTS LIST
 01 Page 1054
 Nov 01/02


BOEING
 COMPONENT
 MAINTENANCE MANUAL

FIG. & ITEM	PART NO.	AIRLINE PART NUMBER	NOMENCLATURE 1234567	EFF CODE	QTY PER ASSY
01- -1A	285T0007-14		CHASSIS ASSY CMM CONTAINS FIG. 1-3	A	RF
-1B	285T0007-15		CHASSIS ASSY	B	RF
-1C	285T0007-19		CHASSIS ASSY	C	RF
-1D	285T0007-22		CHASSIS ASSY	D	RF
-1E	285T0007-23		CHASSIS ASSY	E	RF
-1F	285T0007-27		CHASSIS ASSY	F	RF
-1G	285T0007-30		CHASSIS ASSY	G	RF
-1H	285T0007-31		CHASSIS ASSY	H	RF
-1J	285T0007-32		CHASSIS ASSY	J	RF
-1K	285T0007-40		CHASSIS ASSY	K	RF
-1L	285T0007-43		CHASSIS ASSY	L	RF
-1M	285T0007-45		CHASSIS ASSY	M	RF
-1N	285T0007-46		CHASSIS ASSY	N	RF
-1P	285T0007-47		CHASSIS ASSY	P	RF
-1Q	285T0007-48		CHASSIS ASSY	Q	RF
-1R	285T0007-50		CHASSIS ASSY	R	RF
-1S	285T0007-51		CHASSIS ASSY	S	RF
-1T	285T0007-52		CHASSIS ASSY	T	RF
-1U	285T0007-53		CHASSIS ASSY	U	RF
-1V	285T0007-54		CHASSIS ASSY	V	RF
-1W	285T0007-56		CHASSIS ASSY	W	RF
-1X	285T0007-57		CHASSIS ASSY- (FOR DETAILS SEE FIG. 3)	X	RF
-1Y	285T0007-58		CHASSIS ASSY- (FOR DETAILS SEE FIG. 3)	Y	RF
-1Z	285T0007-59		CHASSIS ASSY- (FOR DETAILS SEE FIG. 3)	Z	RF
-2	285T0007-61		CHASSIS ASSY- (FOR DETAILS SEE FIG. 3)	AA	RF
-2A	285T0007-63		CHASSIS ASSY	AB	RF
-2B	285T0007-64		CHASSIS ASSY- (FOR DETAILS SEE FIG. 3)	AC	RF
-2C	285T0007-66		CHASSIS ASSY- (FOR DETAILS SEE FIG. 3)	AD	RF
-2D	285T0007-67		CHASSIS ASSY- (FOR DETAILS SEE FIG. 3)	AE	RF
-2E	285T0007-68		CHASSIS ASSY- (FOR DETAILS SEE FIG. 3)	AF	RF
-2F	285T0007-69		CHASSIS ASSY- (FOR DETAILS SEE FIG. 3)	AG	RF
-2G	285T0007-71		CHASSIS ASSY- (FOR DETAILS SEE FIG. 3)	AH	RF
-2H	285T0007-72		CHASSIS ASSY- (FOR DETAILS SEE FIG. 3)	AJ	RF

25-71-02

ILLUSTRATED PARTS LIST

01

Page 1055

Nov 01/02

FIG. & ITEM	PART NO.	AIRLINE PART NUMBER	NOMENCLATURE 1234567	EFF CODE	QTY PER ASSY
01- -2J	285T0007-73		CHASSIS ASSY- (FOR DETAILS SEE FIG. 3)	AK	RF
-2K	285T0007-74		CHASSIS ASSY- (FOR DETAILS SEE FIG. 3)	AL	RF
5	NAS1801-06-5		.SCREW	A-W,A B	8
10	NAS514P632-14P		.SCREW	A-W,A B	3
15	NAS1801-06-6		.SCREW	A-W,A B	9
20	285T0007-9		.SEAL	A-W,A B	4
25	285T0007-7		.SEAL	A-W,A B	2
30	285T0007-4		.SEAL	A-W,A B	2
35	285T0007-5		.SEAL	A-W,A B	2
40	285T0298-8		.PANEL ASSY	A-W,A B	1
45	NAS514P632-12		..SCREW	A-W,A B	4
50	BACR15BA4AD		..RIVET- (SIZE DETERMINE ON INST) (NHA 285T0298)	A-W,A B	8
55	285T0297-4		..BRACKET-HOLD DOWN	A-W,A B	1
60	285T0062-29		..PANEL-DETAIL	A-W,A B	1
65	285T0298-5		..SEAL	A-W,A B	4
70	285T0223-5		..BAR ASSY	A-W,A B	1
75	MS21209C0615		...INSERT	A-W,A B	4
80	285T0223-11		...BAR-SUPPORT	A-W,A B	1

25-71-02

 ILLUSTRATED PARTS LIST
 01 Page 1056
 Nov 01/02


BOEING
 COMPONENT
 MAINTENANCE MANUAL

FIG. & ITEM	PART NO.	AIRLINE PART NUMBER	NOMENCLATURE 1234567	EFF CODE	QTY PER ASSY
01-85	285T0223-15		..BAR ASSY-SUPPORT	A-W,A B	1
90	MS21209C0615		...INSERT	A-W,A B	7
95	285T0223-16		...BAR-SUPPORT	A-W,A B	1
100	285T0062-27		..PANEL ASSY	A-W,A B	1
105	BACR15BB2AD		...RIVET- (SIZE DETERMINE ON INST) (NHA 285T0062)	A-W,A B	18
110	24BX2-12-3L		...RETAINER-CARD (V07387)	A-W,A B	6
115	285T0062-28		...PANEL-DETAIL	A-W,A B	1
120	285T0298-7		.PANEL ASSY	A-W,A B	1
125	BACR15BB4AD		..RIVET- (SIZE DETERMINE ON INST) (NHA 285T0298)	A-W,A B	8
130	285T0298-5		..SEAL	A-W,A B	4
135	285T0223-2		..BAR ASSY	A-W,A B	1
140	MS21209C0615		...INSERT	A-W,A B	2
145	285T0223-10		...BAR-SUPPORT	A-W,A B	1
150	285T0223-13		..BAR ASSY-SUPPORT	A-W,A B	1
155	MS21209C0615		...INSERT	A-W,A B	5
160	285T0223-14		...BAR-SUPPORT	A-W,A B	1
165	285T0062-25		..PANEL ASSY	A-W,A B	1
170	BACR15BB2AD		...RIVET- (SIZE DETERMINE ON INST) (NHA 285T0062)	A-W,A B	18

25-71-02

ILLUSTRATED PARTS LIST

01

Page 1057

Nov 01/02

FIG. & ITEM	PART NO.	AIRLINE PART NUMBER	NOMENCLATURE 1234567	EFF CODE	QTY PER ASSY
01-175	24BX2-12-3R		...RETAINER-CARD (V07387)	A-W,A B	6
180	285T0062-26		...PANEL-DETAIL	A-W,A B	1
185	285T0062-23		..PANEL ASSY	A-W,A B	1
190	BACR15BB2AD		...RIVET- (SIZE DETERMINE ON INST) (NHA 285T0062)	A-W,A B	21
195	24BX2-12-3L		...RETAINER-CARD (V07387)	A-W,A B	7
200	285T0062-24		...PANEL-DETAIL	A-W,A B	1
205	285T0298-6		.PANEL ASSY	A-F	1
-205A	285T0298-13		.PANEL ASSY	G-W,A B	1
210	BACR15BB5AD		..RIVET- (SIZE DETERMINE ON INST) (NHA 285T0298)	A-W,A B	8
215	285T0298-5		..SEAL	A-W,A B	2
220	285T0223-2		..BAR ASSY	A-W,A B	1
225	MS21209C0615		...INSERT	A-W,A B	2
230	285T0223-10		...BAR-SUPPORT	A-W,A B	1
235	285T0223-13		..BAR ASSY-SUPPORT	A-W,A B	1
240	MS21209C0615		...INSERT	A-W,A B	5
245	285T0223-14		...BAR-SUPPORT	A-W,A B	1
250	285T0062-21		..PANEL ASSY	A-W,A B	1
255	BACR15BB2AD		...RIVET- (SIZE DETERMINE ON INST) (NHA 285T0062)	A-W,A B	21

25-71-02

 ILLUSTRATED PARTS LIST
 01 Page 1058
 Nov 01/02


BOEING
 COMPONENT
 MAINTENANCE MANUAL

FIG. & ITEM	PART NO.	AIRLINE PART NUMBER	NOMENCLATURE 1234567	EFF CODE	QTY PER ASSY
01-260	24BX2-12-3R		...RETAINER-CARD (V07387)	A-W,A B	7
262	285T0062-22		...PANEL	A-W,A B	1
265	285T0298-11		.PANEL ASSY	A-W,A B	1
270	BACR15BB4AD		..RIVET- (SIZE DETERMINE ON INST) (NHA 285T0298)	A-W,A B	6
275	NAS514P632-12		..SCREW	A-W,A B	4
280	285T0297-4		..BRACKET-HOLD DOWN	A-W,A B	1
285	285T0298-12		..SEAL	A-W,A B	2
290	285T0223-1		..BAR ASSY	A-W,A B	1
295	MS21209C0615		...INSERT	A-W,A B	5
300	285T0223-9		...BAR-SUPPORT	A-W,A B	1
305	285T0223-5		..BAR ASSY-SUPPORT	A-W,A B	1
310	MS21209C0615		...INSERT	A-W,A B	4
315	285T0223-11		...BAR-SUPPORT	A-W,A B	1
320	285T0062-30		..PANEL ASSY	A-W,A B	1
325	BACR15BA3AD		...RIVET- (SIZE DETERMINE ON INST) (NHA 285T0062)	A-W,A B	4

25-71-02

ILLUSTRATED PARTS LIST

01

Page 1059

Nov 01/02

FIG. & ITEM	PART NO.	AIRLINE PART NUMBER	NOMENCLATURE 1234567	EFF CODE	QTY PER ASSY
01-330	BRFM20A06L		...NUTPLATE- (V52828) (SPEC BACN10JN06) (OPT MF53049-06 (V15653)) (OPT MF1000-06BAC (V15653)) (OPT NS103218-62 (V80539)) (OPT RMF9201M62 (V72962)) (OPT VN252A62L (V92215)) (OPT T8124S06S (V11815))	A-W,A B	2
335	285T0062-31		...PANEL-DETAIL	A-W,A B	1
340	NAS514P632-6		.SCREW	A-W,A B	4
345	MS35206-205		.SCREW	A-W,A B	4
350	92-1660-256		.NUT- (V15653) (SPEC BACN10DN26) (OPT 92-1660-26 (V72962))	A-W,A B	4
355	285T0297-1		.BACKPLATE ASSY	A-W,A B	2
360	BACR15BA3AD		..RIVET- (SIZE DETERMINE ON INST) (NHA 285T0297)	A-W,A B	6

25-71-02

 ILLUSTRATED PARTS LIST
 01 Page 1060
 Nov 01/02


BOEING
 COMPONENT
 MAINTENANCE MANUAL

FIG. & ITEM	PART NO.	AIRLINE PART NUMBER	NOMENCLATURE 1234567	EFF CODE	QTY PER ASSY
01-365	BRFM20A06L		..NUTPLATE- (V52828) (SPEC BACN10JN06) (OPT MF53049-06 (V15653)) (OPT MF1000-06BAC (V15653)) (OPT NS103218-62 (V80539)) (OPT RMF9201M62 (V72962)) (OPT VN252A62L (V92215)) (OPT T8124S06S (V11815))	A-W,A B	2
370	BRFM20A08		..NUTPLATE- (V52828) (SPEC BACN10JN08) (OPT MF53049-08 (V15653)) (OPT MF1000-08BAC (V15653)) (OPT NS103218-82 (V80539)) (OPT RMF9201M82 (V72962)) (OPT VN252A82 (V92215)) (OPT T8124S08S (V11815))	A-W,A B	1
375	285T0297-3		..SPACER	A-W,A B	1
380	285T0297-2		..BACKPLATE	A-W,A B	1
385	NAS1801-06-5		.SCREW	A-W,A B	3

25-71-02

ILLUSTRATED PARTS LIST

01

Page 1061

Nov 01/02

FIG. & ITEM	PART NO.	AIRLINE PART NUMBER	NOMENCLATURE 1234567	EFF CODE	QTY PER ASSY
01-390	NAS620-6		.WASHER	A-W,A B	3
395	285T0007-35		.DISPLAY ASSY-BITE STATIC SENSITIVE PART	G-W,A B	1
400	NAS1801-06-10		..SCREW	G-W,A B	4
405	NAS43DD1-16		..SPACER	G-W,A B	4
410	NAS620-6		..WASHER	G-W,A B	4
415 415A	BRFM20A06L H10-06BAC		DELETED ..NUT- (V15653) (SPEC BACN10JC06) (OPT RMLH9075-62W (V72962)) (OPT VN303A62 (V92215)) (OPT 96-62 (V80539)) (OPT NS202101-62 (V80539)) (OPT T6S632J (V11815)) (OPT BRH10A06 (V52828))	G-W,A B	4
420	285T1111-1		..PRINTED CIRCUIT ASSY- (STATIC SENSITIVE PART)	G-W,A B	1
425	PL1801-04-5		...SCREW ASSY-SELF-LOCKING (V03038) (SPEC S285T004-5)	G-W,A B	2
430	NAS620-4L		...WASHER	G-W,A B	2
435	MS35650-342		...NUT- (OPT ITEM 435A)	G-W,A B	2
-435A	MS35650-344		...NUT- (OPT ITEM 435)	G-W,A B	2

25-71-02

 ILLUSTRATED PARTS LIST
 01 Page 1062
 Nov 01/02

BOEING
 COMPONENT
 MAINTENANCE MANUAL

FIG. & ITEM	PART NO.	AIRLINE PART NUMBER	NOMENCLATURE 1234567	EFF CODE	QTY PER ASSY
01-440	D110551		... JACKPOST- (V71468)	G-W,A B	2
445	C120E104K5XAC		DELETED		
-445A	900-14050-10495		DELETED		
R 445B	R1206X104K2B04		... CAPACITOR-0.1UF, 10 PCT, 50V (VOFDX0) (C2,C4,C11,C13) (SPEC 900-14050-10495) (OPT 12065C104KHT1AV (VOFDX0)) (OPT 7009Y104KXAAT (V95275)) (OPT ITEM 445C)	G-W,A B	4
R -445C	C1206E104K5XAC		... CAPACITOR-0.1UF, 10 PCT, 50V (V31433) (C2, C4, C11, C13) (OPT ITEM 445B)	G-W,A B	4
450	900-14050-10395		DELETED		
R 450A	R1206X103K2B04		... CAPACITOR-0.01UF, 10 PCT, 50V (VOFDX0) (C1, C3, C5-C10, C12, C14-C18) (SPEC 900-14050-10395) (OPT 12065C103KHT1AV (VOFDX0)) (OPT 7009Y103KXAAT (V95275))	G-W,A B	14
455	BCK1500F		... RESISTOR-150 OHMS 1 PCT, 1/8W (V01121) (R2-R4, R6, R8, R9, R11, R14-R16, R18, R20, R21, R23)	G-W,A B	14

25-71-02

ILLUSTRATED PARTS LIST
 01 Page 1063
 Nov 01/02

FIG. & ITEM	PART NO.	AIRLINE PART NUMBER	NOMENCLATURE 1234567	EFF CODE	QTY PER ASSY
01-460	4N54TXV		...INDICATOR-LED DISPLAY (V28480) (CR1-CR4) (OPT ITEMS 460A, 460B, 460C, 460D)	G-W,A B	4
-460A	M87157-00104AAF		...INDICATOR-LED DISPLAY (CR1-CR4) (OPT ITEMS 460, 460B, 460C, 460D)	G-W,A B	4
-460B	M87157-00104AAG		...INDICATOR-LED DISPLAY (CR1-CR4) (OPT ITEMS 460, 460A, 460C, 460D)	G-W,A B	4
-460C	M87157-00104ACF		...INDICATOR-LED DISPLAY (CR1-CR4) (OPT ITEMS 460, 460A, 460B, 460D)	G-W,A B	4
-460D	M87157-00104ACG		...INDICATOR-LED DISPLAY (CR1-CR4) (OPT ITEMS 460, 460A, 460B, 460C)	G-W,A B	4
465	BHG27T12YBLK		...INDICATOR-FAULT (V07479) (N112, N113)	G-W,A B	2
470	M24308-24-40		...CONNECTOR- (V81349) (P1)	G-W,A B	1
475	P4-10065-22		...SWITCH- (V21649) (S560)	G-W,A B	1
480	285T1111-2		...BOARD	G-W,A B	1
R 485	BAC27TEX1486		...DECAL-STATIC SENSITIVE	G-W,A B	1
490	285T0061-43		..BRACKET ASSY-DISPLAY	G-W,A B	1
495	BACR15BA3AD		...RIVET- (SIZE DETERMINE ON INST) (NHA 285T0061)	G-W,A B	6

25-71-02

ILLUSTRATED PARTS LIST

01

Page 1064

Nov 01/02


BOEING
 COMPONENT
 MAINTENANCE MANUAL

FIG. & ITEM	PART NO.	AIRLINE PART NUMBER	NOMENCLATURE 1234567	EFF CODE	QTY PER ASSY
01-500	BRFM20A06L		...NUTPLATE- (V52828) (SPEC BACN10JN06) (OPT MF53049-06 (V15653)) (OPT MF1000-06BAC (V15653)) (OPT NS103218-62 (V80539)) (OPT RMF9201M62 (V72962)) (OPT VN252A62L (V92215)) (OPT T8124S06S (V11815))	G-W,A B	3
505	285T0061-40		...BRACKET	G-W,A B	1
510	BAC27TEX3790		...DECAL	G-W,A B	1
515	285T0061-15		.PANEL-CONNECTOR	A-W,A B	1
520	285T0062-12		.PANEL-CONNECTOR	A-W,A B	1
525	285T0062-11		.PANEL-CONNECTOR	A-W,A B	1
530	NAS1801-04-5		.SCREW	A-W,A B	18
535	NAS1801-04-5		.SCREW	E-W,A B	2
540	NAS1801-04-5		.SCREW	E,G,H ,N-Q, U,W,A B	2
545	NAS1801-04-5		.SCREW	E,H, N-Q,U ,W	2
550	NAS1801-04-5		.SCREW	N,Q	2
555	NAS1801-04-6		.SCREW	A-M,P ,R-W, AB	2

25-71-02

ILLUSTRATED PARTS LIST

01

Page 1065

Nov 01/02

FIG. & ITEM	PART NO.	AIRLINE PART NUMBER	NOMENCLATURE 1234567	EFF CODE	QTY PER ASSY
01-560	NAS1801-04-6		. SCREW	A-D, F , G, J-M, R-T, V , AB	2
565	NAS1801-04-6		. SCREW	A-D, F , J-M, R, T, V	2
570	NAS1801-04-6		. SCREW	A-D	2
575	MS35338-40		. WASHER	A-W, A B	18
580	MS35338-40		. WASHER	E-W, A B	2
585	MS35338-40		. WASHER	E, G, H , N-Q, U, W, A B	2
590	MS35338-40		. WASHER	E, H, N-Q, U , W	2
595	MS35338-40		. WASHER	N, Q	2
600	H10-04BAC		. NUT- (V15653) (SPEC BACN10JC04) (OPT NS202101-40 (V80539)) (OPT RMLH9075-40W (V72962)) (OPT VN303A40 (V92215)) (OPT 96-40 (V80539)) (OPT BRH10A04 (V52828)) (OPT T6S440J (V11815))	A-M, P , R-W, AB	2

25-71-02

ILLUSTRATED PARTS LIST

01

Page 1066

Nov 01/02

BOEING
 COMPONENT
 MAINTENANCE MANUAL

FIG. & ITEM	PART NO.	AIRLINE PART NUMBER	NOMENCLATURE 1234567	EFF CODE	QTY PER ASSY
01-605	H10-04BAC		.NUT- (V15653) (SPEC BACN10JC04) (OPT NS202101-40 (V80539)) (OPT RMLH9075-40W (V72962)) (OPT VN303A40 (V92215)) (OPT 96-40 (V80539)) (OPT BRH10A04 (V52828)) (OPT T6S440J (V11815))	A-D, F , G, J-M, R-T, V , AB	2
610	H10-04BAC		.NUT- (V15653) (SPEC BACN10JC04) (OPT NS202101-40 (V80539)) (OPT RMLH9075-40W (V72962)) (OPT VN303A40 (V92215)) (OPT 96-40 (V80539)) (OPT BRH10A04 (V52828)) (OPT T6S440J (V11815))	A-D, F , J-M, R, T, V	2

25-71-02

ILLUSTRATED PARTS LIST
 01 Page 1067
 Nov 01/02

FIG. & ITEM	PART NO.	AIRLINE PART NUMBER	NOMENCLATURE 1234567	EFF CODE	QTY PER ASSY
01-615	H10-04BAC		.NUT- (V15653) (SPEC BACN10JC04) (OPT NS202101-40 (V80539)) (OPT RMLH9075-40W (V72962)) (OPT VN303A40 (V92215)) (OPT 96-40 (V80539)) (OPT BRH10A04 (V52828)) (OPT T6S440J (V11815))	A-D	2
620	285T0018-11		.PLATE-COVER (1B3)	E,H,P ,U,W	1
625	285T0018-11		.PLATE-COVER (1B3, 1B9)	G,S	2
630	285T0018-11		.PLATE-COVER (1B10, 1B11)	AB	2
635	285T0018-11		.PLATE-COVER (1B3, 1B10, 1B11)	M,T	3
640	285T0018-11		.PLATE-COVER (1B9-1B11)	F,G-L ,R,V	3
645	285T0018-11		.PLATE-COVER (1B3,1B9-1B11)	A-D	4
650	MS35338-44		.WASHER	A-W,A B	1
655	108-0740-001		.JACK-BANANA (V74970)	A-W,A B	1
660	BACR15BB4AD		.RIVET- (SIZE DETERMINE ON INST) (NHA 285T0007)	A-W,A B	24
665	YHLZG16-1		.BLOCK-TERMINAL (V09922)	A-W,A B	6
670	NAS1801-06-6		.SCREW	A-W,A B	16
675	NAS603-7P		.SCREW	A-W,A B	2

25-71-02

ILLUSTRATED PARTS LIST

01

Page 1068

Nov 01/02


BOEING
 COMPONENT
 MAINTENANCE MANUAL

FIG. & ITEM	PART NO.	AIRLINE PART NUMBER	NOMENCLATURE 1234567	EFF CODE	QTY PER ASSY
01-680	NAS623-3-2		. SCREW	A-W,A B	3
685	NAS1149D0332J		. WASHER	A-W,A B	3
690	MS21042L3		. NUT	A-W,A B	3
695	TM3S10		. PLATE- (V06383) (SPEC STBP19M12)	A-W,A B	5
700	NAS1801-08-6		. SCREW	A-W,A B	4
705	NAS1149DN816J		. WASHER	A-W,A B	4
710	H10-08BAC		. NUT- (V15653) (SPEC BACN10JC08) (OPT NS202101-82 (V80539)) (OPT RMLH9075-82W (V72962)) (OPT VN303A82 (V92215)) (OPT 96-82 (V80539)) (OPT BRH10A08 (V52828)) (OPT T6S832J (V11815))	A-W,A B	4
715	10S1034A		. FILTER- (V13619) (M1102, M1103)	A-W,A B	2
720	VNS1924CA1-8		. STUD-GROUND (V5M902) (SPEC BACS53B1EA1) (OPT VNS1924CA3-1-8 (V92215))	A-W,A B	1

25-71-02

ILLUSTRATED PARTS LIST

01

Page 1069

Nov 01/02

FIG. & ITEM	PART NO.	AIRLINE PART NUMBER	NOMENCLATURE 1234567	EFF CODE	QTY PER ASSY
01-725	285T0400-1		.BRACKET ASSY	A-W,A B	1
730	BACR15BA3AD		..RIVET- (SIZE DETERMINE ON INST) (NHA 285T0400)	A-W,A B	8
735	RMF9201M40		..NUTPLATE- (V72962) (SPEC BACN10JN04) (OPT BRFM20A04L (V52828)) (OPT MF1000-04BAC (V15653)) (OPT NS103218-40 (V80539)) (OPT MF53049-04 (V15653)) (OPT T8124S04S (V11815)) (OPT VN252A40L (V92215))	A-W,A B	4
740	285T0400-2		..BRACKET	A-W,A B	1
745	XD4N		.RELAY- (V58657) (K598, K599)	A-W,A B	2
750	NAS1801-04-5		.SCREW	A-W,A B	4
755	NAS1801-04-6		.SCREW	A-W,A B	32
760	H10-04BAC		.NUT- (V15653) (SPEC BACN10JC04) (OPT NS202101-40 (V80539)) (OPT RMLH9075-40W (V72962)) (OPT VN303A40 (V92215)) (OPT 96-40 (V80539)) (OPT BRH10A04 (V52828)) (OPT T6S440J (V11815))	A-W,A B	32

25-71-02

 ILLUSTRATED PARTS LIST
 01 Page 1070
 Nov 01/02


BOEING
 COMPONENT
 MAINTENANCE MANUAL

FIG. & ITEM	PART NO.	AIRLINE PART NUMBER	NOMENCLATURE 1234567	EFF CODE	QTY PER ASSY
01-765	S0-1064-007		.SOCKET- (V35344) (D1503, D1505)	A-W,A B	2
770	285T0007-16		.ENCLOSURE ASSY- (FOR DETAILS SEE FIG. 2)	A	1
770A	285T0007-17		.ENCLOSURE ASSY- (FOR DETAILS SEE FIG. 2)	B	1
-770B	285T0007-21		.ENCLOSURE ASSY- (FOR DETAILS SEE FIG. 2)	C	1
-770C	285T0007-24		.ENCLOSURE ASSY- (FOR DETAILS SEE FIG. 2)	D,E	1
-770D	285T0007-28		.ENCLOSURE ASSY- (FOR DETAILS SEE FIG. 2)	F	1
-770E	285T0007-33		.ENCLOSURE ASSY- (FOR DETAILS SEE FIG. 2)	G,H,K ,L,P, R	1
-770F	285T0007-34		.ENCLOSURE ASSY- (FOR DETAILS SEE FIG. 2)	J,M,N ,V,AB	1
-770G	285T0007-49		.ENCLOSURE ASSY- (FOR DETAILS SEE FIG. 2)	Q,W	1
-770H	285T0007-55		.ENCLOSURE ASSY- (FOR DETAILS SEE FIG. 2)	S-U	1
-775	286T0045		.WIRE BUNDLE ASSY	A-W,A B	1
780	BAC27TEX1662		.MARKER-ALUMINUM FOIL P51 WARNING ELECTRONICS UNIT CARD FILE	A-W,A B	1
R 785	BAC27TEX2017		.DECAL	A-W,A B	1
790	BAC27TEX2375		.DECAL- POWER SUPPLY FAULT M616, RESET, M621	A-F	1
R 795	BAC27TEX1		.MARKER	A-W,A B	1
R 800	BAC27TEX1664		.DECAL	A-C	1
R 805	BAC27TEX3555		.DECAL	D	1
R 810	BAC27TEX3556		.DECAL	E	1

25-71-02

ILLUSTRATED PARTS LIST

01

Page 1071

Nov 01/02

FIG. & ITEM	PART NO.	AIRLINE PART NUMBER	NOMENCLATURE 1234567	EFF CODE	QTY PER ASSY
01-					
R 815	BAC27TEX3630		.DECAL	F	1
R 820	BAC27TEX4168		.DECAL	G,S	1
R 825	BAC27TEX3776		.DECAL	H	1
R 830	BAC27TEX3787		.DECAL	J	1
R 835	BAC27TEX4564		.DECAL	K,M,T	1
R 840	BAC27TEX4337		.DECAL	L	1
R 845	BAC27TEX4563		.DECAL	N,Q	1
R 850	BAC27TEX4565		.DECAL	P,U,W	1
R 855	BAC27TEX4726		.DECAL	R,V,A	1
				B	
R 860	BAC27TEX3370		.MARKER	D-W,A	1
				B	
R 865	BAC27TEX3312		.DECAL	A-W,A	1
				B	
R 870	BAC27TEX3890		.MARKER	G-W,A	1
				B	
R 875	BAC27TEX2952		.DECAL	A-W,A	1
				B	
R 880	BAC27TEX1929		.DECAL-GDX2 (OPT ITEM 910)	A-P, S-W	1
R 885	BAC27TEX1928		.DECAL-GDX1 (OPT ITEM 910)	A-P, S-W	1
R 890	BAC27TEX1930		.DECAL-GDX3 (OPT ITEM 910)	A-P, S-W	1
R 895	BAC27TEX0885		.MARKER-GDX4 (OPT ITEM 910)	A-P, S-W	1
R 900	BAC27TEX0886		.MARKER-GDX5 (OPT ITEM 910)	A-P, S-W	1
R 905	BAC27TEX0887		.MARKER-GDX6 (OPT ITEM 910)	A-P, S-W	1
R -910	BAC27EEL22704		.DECALSET-(INCLUDES DECALS IDENTIFIED ON THE ILLUSTRATION) (OPT ITEMS 880, 885, 890, 895, 900, 905)	A-P, S-W	1

25-71-02

ILLUSTRATED PARTS LIST

01

Page 1072

Nov 01/02


BOEING
 COMPONENT
 MAINTENANCE MANUAL

FIG. & ITEM	PART NO.	AIRLINE PART NUMBER	NOMENCLATURE 1234567	EFF CODE	QTY PER ASSY
R 01- -910A	BAC27EEL22704		.DECALSET-(INCLUDES DECALS IDENTIFIED ON THE ILLUSTRATION)	R,AB	1
R 915	BAC27TEX1993		.MARKER-ATTENTION ELECTROSTATIC GROUND JACK BOEING LETTER HISTORY	A-W,A B	1

- Item Not Illustrated

25-71-02

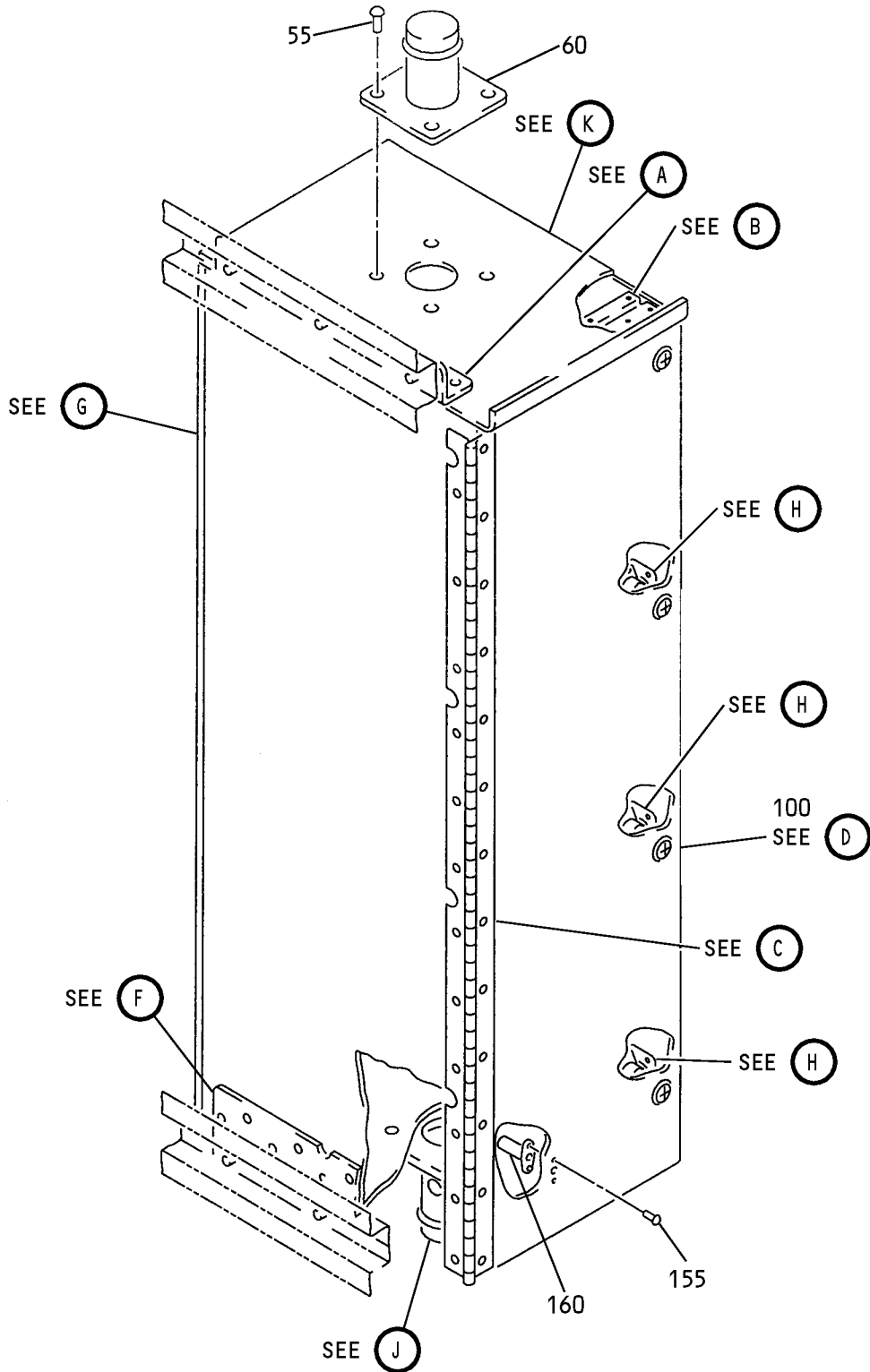
ILLUSTRATED PARTS LIST

01

Page 1073

Nov 01/02

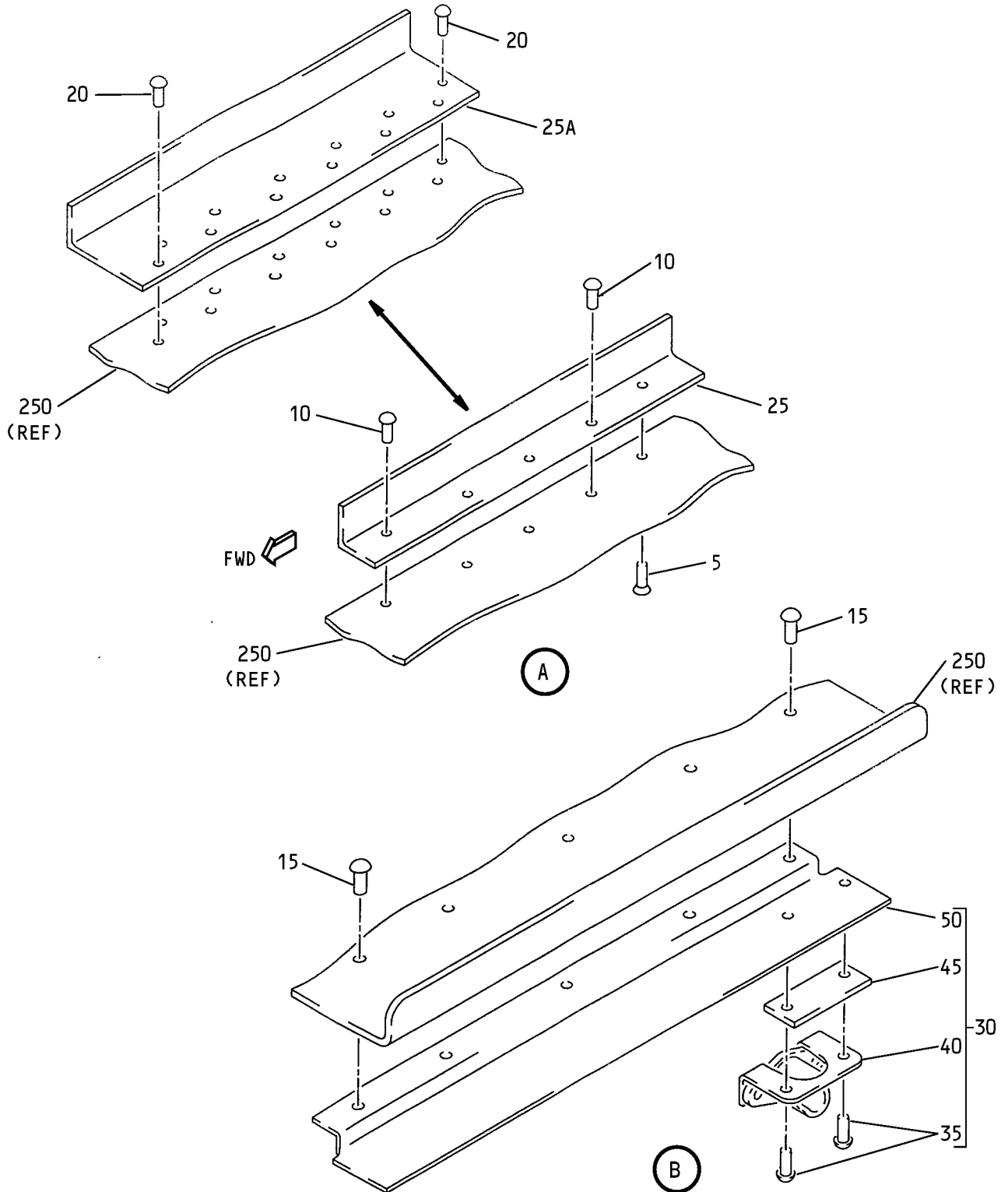
BOEING
COMPONENT
MAINTENANCE MANUAL



Warning Electronics Unit Chassis Assembly
Figure 2 (Sheet 1)

25-71-02

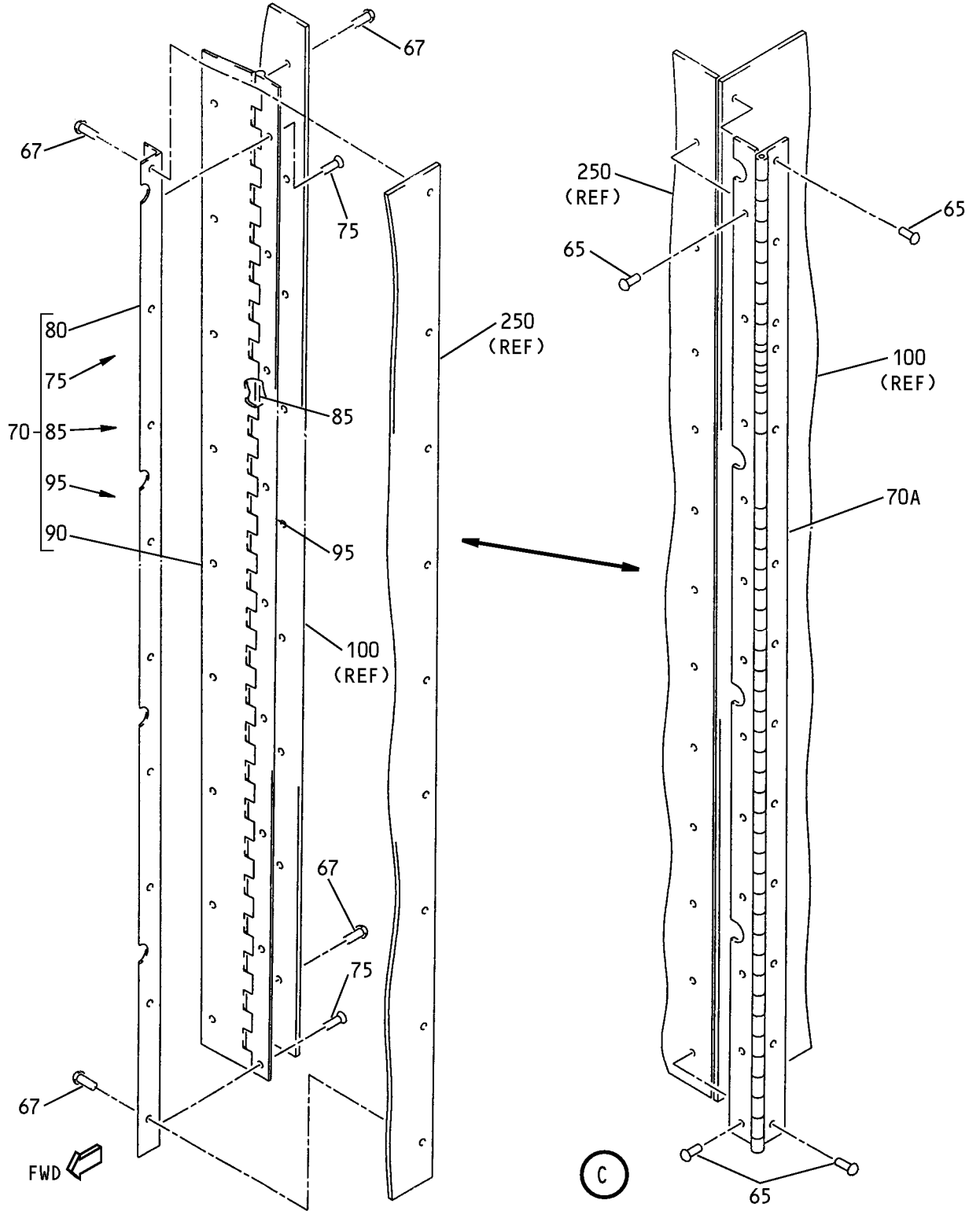
ILLUSTRATED PARTS LIST
01 Page 1075
Nov 01/02



Warning Electronics Unit Chassis Assembly
 Figure 2 (Sheet 2)

25-71-02

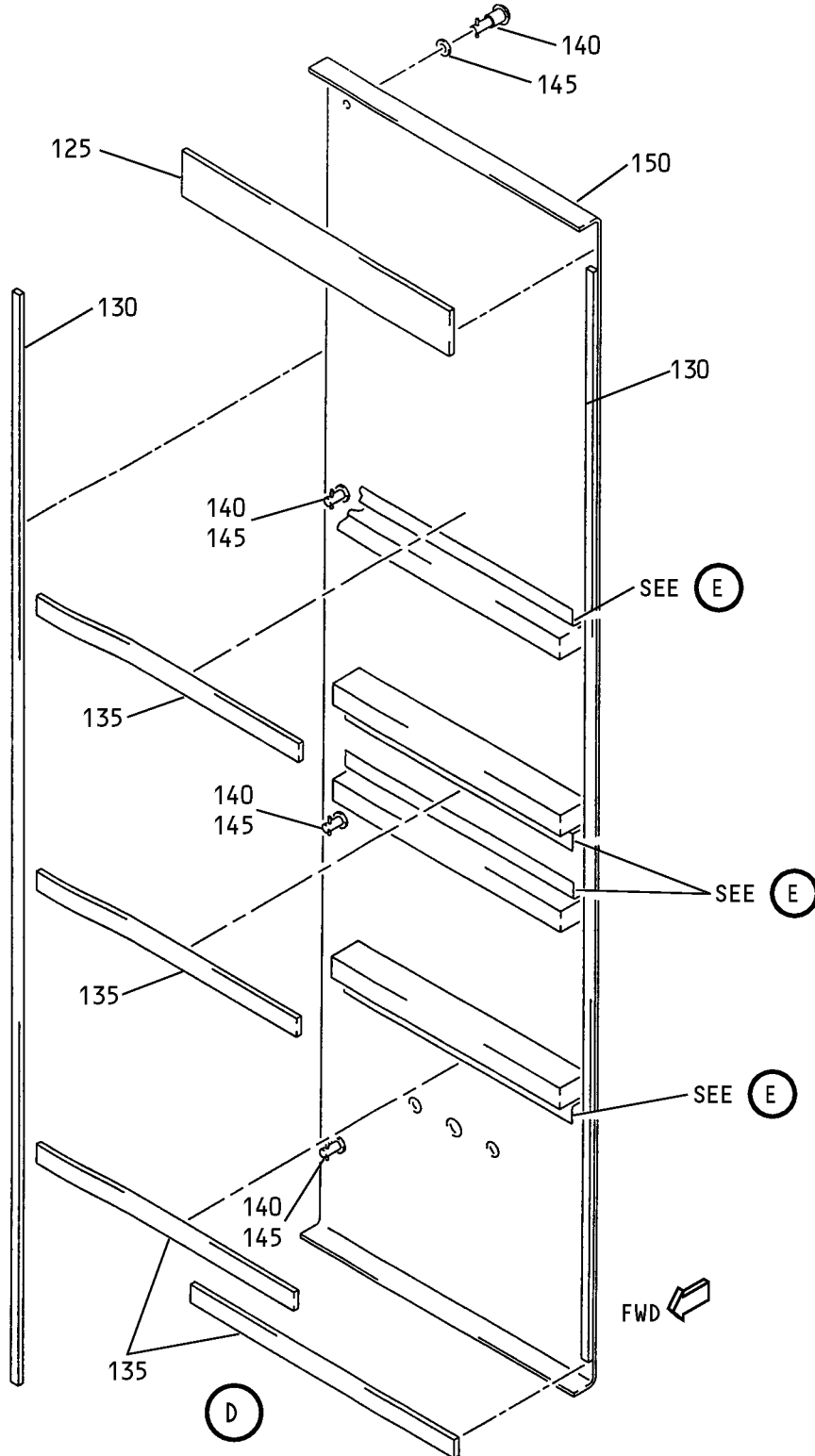
ILLUSTRATED PARTS LIST
 01 Page 1076
 Nov 01/02



Warning Electronics Unit Chassis Assembly
Figure 2 (Sheet 3)

25-71-02

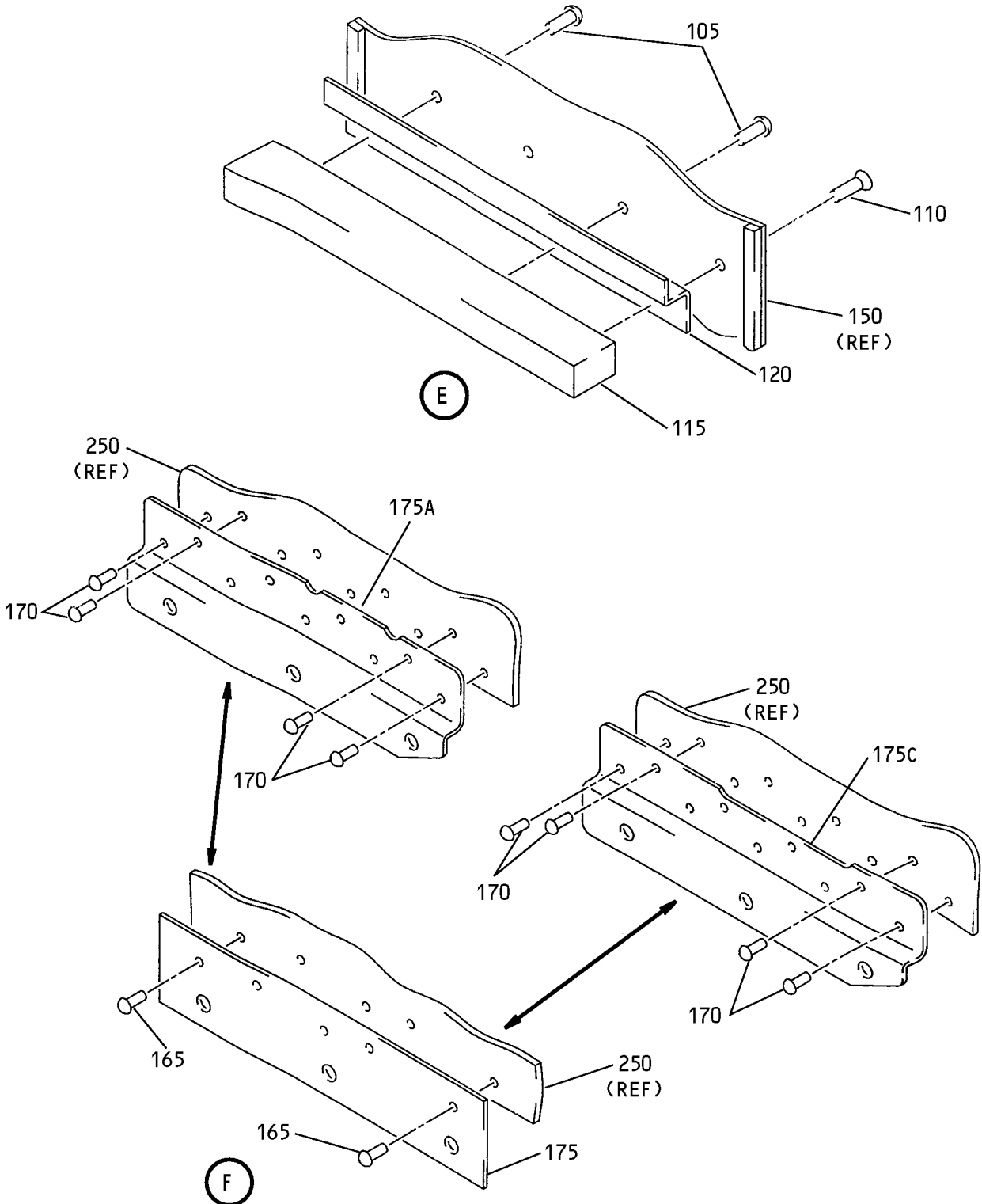
ILLUSTRATED PARTS LIST
01 Page 1077
Nov 01/02



Warning Electronics Unit Chassis Assembly
 Figure 2 (Sheet 4)

25-71-02

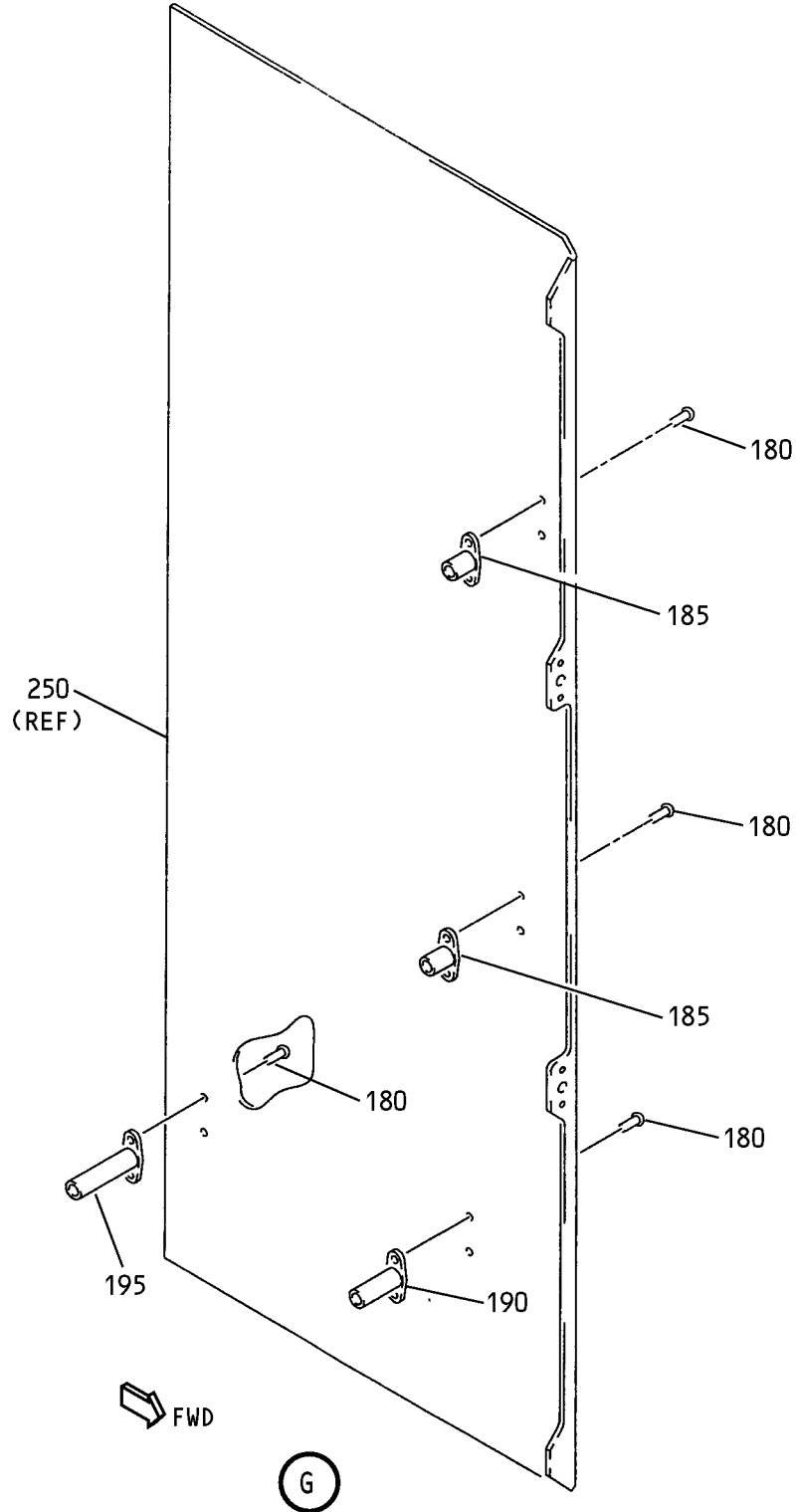
ILLUSTRATED PARTS LIST
 01 Page 1078
 Nov 01/02



Warning Electronics Unit Chassis Assembly
Figure 2 (Sheet 5)

25-71-02

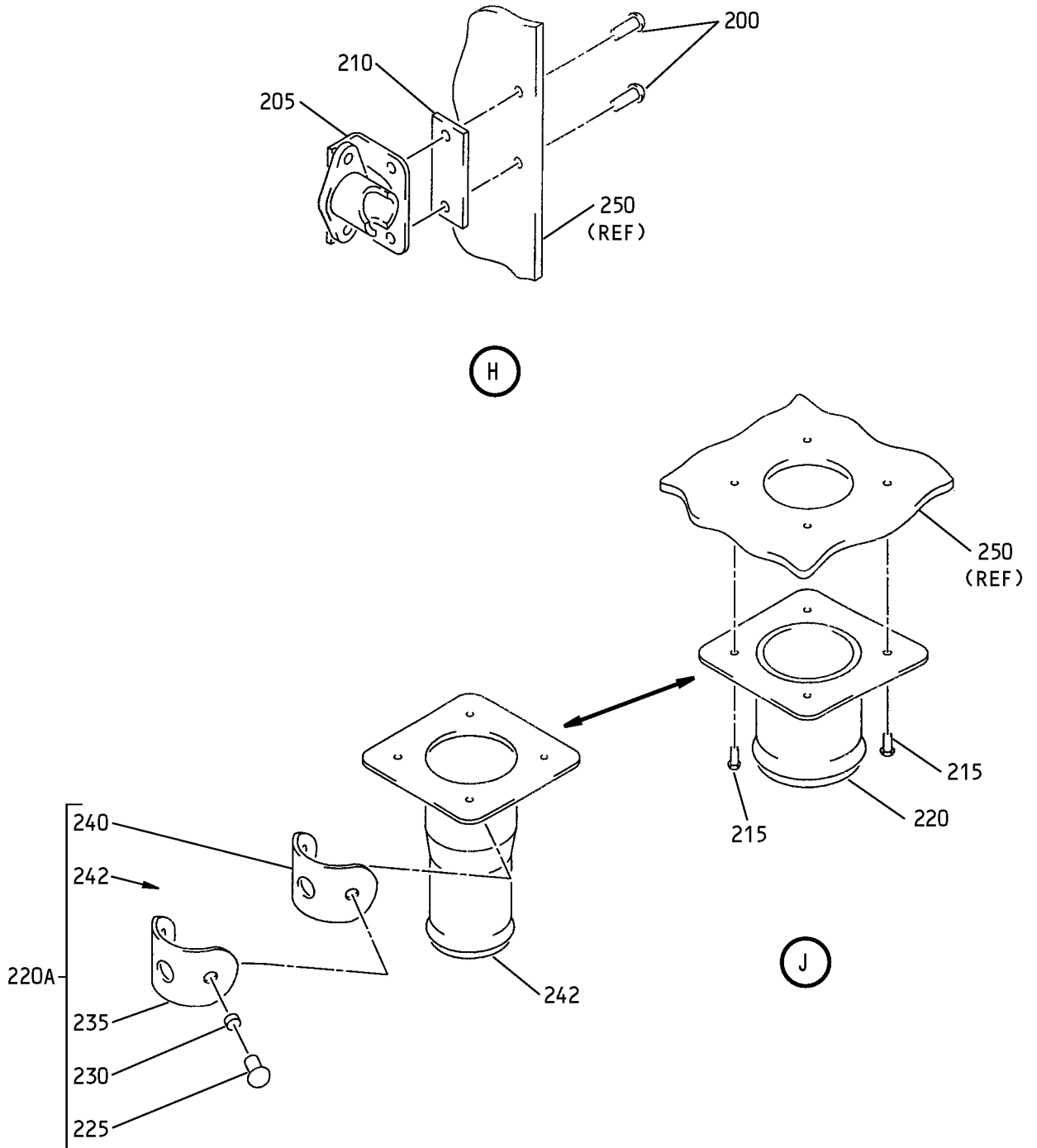
ILLUSTRATED PARTS LIST
01 Page 1079
Nov 01/02



Warning Electronics Unit Chassis Assembly
Figure 2 (Sheet 6)

25-71-02

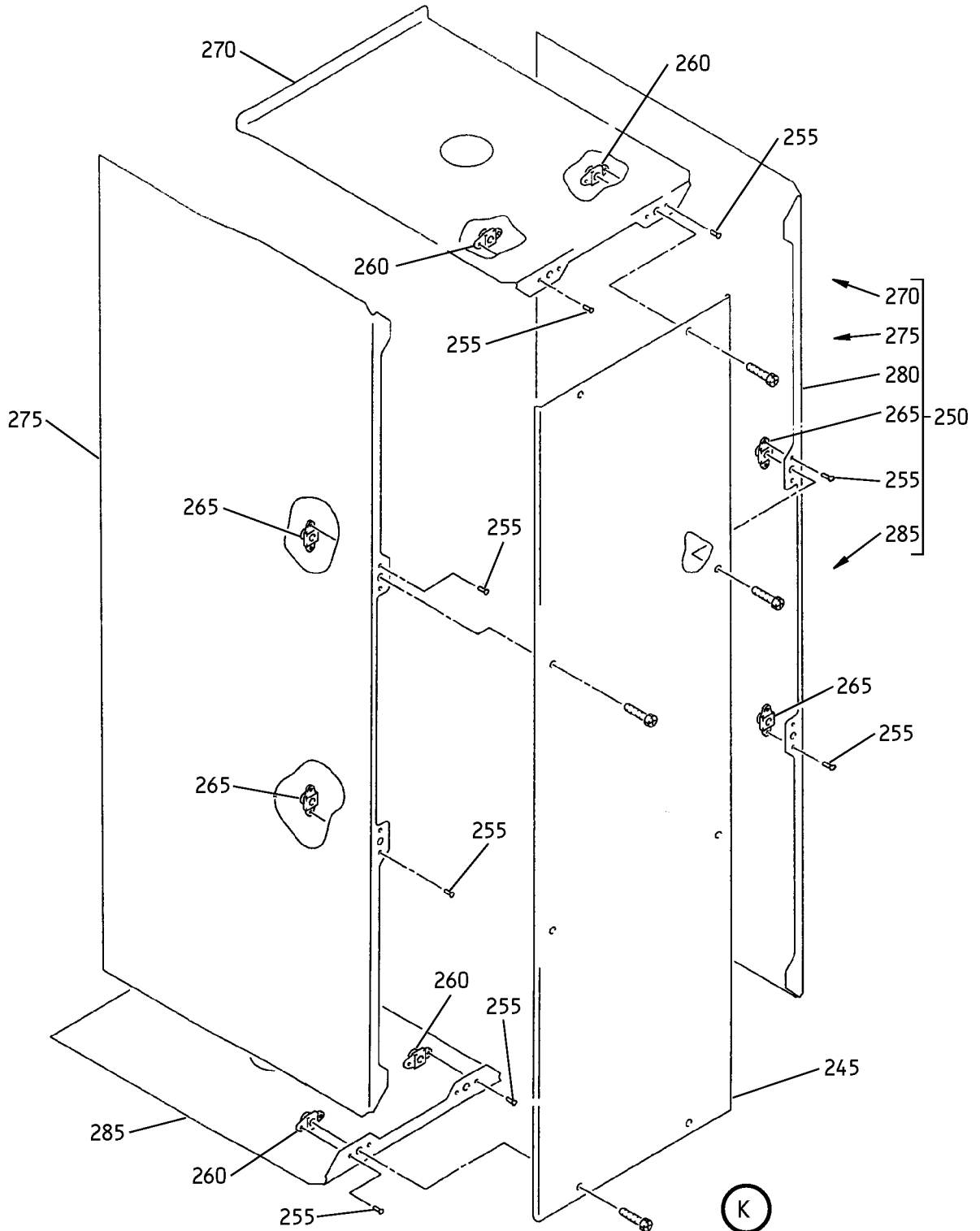
ILLUSTRATED PARTS LIST
01 Page 1080
Nov 01/02



Warning Electronics Unit Chassis Assembly
 Figure 2 (Sheet 7)

25-71-02

ILLUSTRATED PARTS LIST
 01 Page 1080A
 Nov 01/02



Warning Electronics Unit Chassis Assembly
 Figure 2 (Sheet 8)

25-71-02

ILLUSTRATED PARTS LIST
 01 Page 1080B
 Nov 01/02

M57424


BOEING
 COMPONENT
 MAINTENANCE MANUAL

FIG. & ITEM	PART NO.	AIRLINE PART NUMBER	NOMENCLATURE 1234567	EFF CODE	QTY PER ASSY
02-					
-1A	285T0007-16		ENCLOSURE ASSY	A	RF
-1B	285T0007-17		ENCLOSURE ASSY	B	RF
-1C	285T0007-21		ENCLOSURE ASSY	C	RF
-1D	285T0007-24		ENCLOSURE ASSY	D,E	RF
-1E	285T0007-28		ENCLOSURE ASSY	F	RF
-1F	285T0007-33		ENCLOSURE ASSY	G,H,K ,L,P, R	RF
-1G	285T0007-34		ENCLOSURE ASSY	J,M,N ,V,Y, Z,AB	RF
-1H	285T0007-49		ENCLOSURE ASSY	Q,W	RF
-1J	285T0007-55		ENCLOSURE ASSY	S-U,X ,AC,A F,AG	RF
-1K	285T0007-62		ENCLOSURE ASSY	AA,AD ,AE,A H-AL	RF
5	BACR15BA6AD		.RIVET- (SIZE DETERMINE ON INST) (NHA 285T0007)	A-C	1
10	BACR15BB6AD		.RIVET- (SIZE DETERMINE ON INST) (NHA 285T0007)	A-C	4
15	BACR15BB4AD		.RIVET- (SIZE DETERMINE ON INST) (NHA 285T0007)	A-AL	5
20	BACR15BB6AD		.RIVET- (SIZE DETERMINE ON INST) (NHA 285T0007)	D-AL	12
25	285T0065-1		.BRACKET	A-C	1
-25A	285T0065-6		DELETED		
27	285T0065-6		.BRACKET	D-AL	1
30	285T0062-35		.BRACKET ASSY	A-P, R-V, X-AL	1

25-71-02

 ILLUSTRATED PARTS LIST
 01 Page 1080C
 Nov 01/02

FIG. & ITEM	PART NO.	AIRLINE PART NUMBER	NOMENCLATURE 1234567	EFF CODE	QTY PER ASSY
02- -30A	285T0062-35		.BRACKET ASSY- (OPT ITEM 30B)	Q,W	1
-30B	285T0062-34		.BRACKET ASSY- (OPT ITEM 30A)	Q,W	1
35	BACR15BB3AD		..RIVET- (SIZE DETERMINE ON INST) (NHA 285T0062)	A-AL	2
40	BACR11Y1		..RECEPTACLE	A-AL	1
45	285T0018-9		..SPACER	A-AL	1
50	285T0062-17		..BRACKET	A-AL	1
55	BACR15BB5AD		.RIVET- (SIZE DETERMINE ON INST) (NHA 285T0007)	A-AL	4
60	285T0155-3		.SPUD ASSY	A-AL	1
65	BACR15FT5AD		.RIVET- (SIZE DETERMINE ON INST) (NHA 285T0007)	A-AL	25
67	BACR15FT5AD		.RIVET- (SIZE DETERMINE ON INST) (NHA 285T0007)	A-AL	18
70	285T0064-2		.HINGE ASSY	D-AL	1
-70A	285T0064-1		DELETED		
72	285T0064-1		.HINGE ASSY	A-C	1
75	BACR15BA4AD		..RIVET- (SIZE DETERMINE ON INST) (NHA 285T0064)	D-AL	9
80	285T0064-5		..ANGLE-SUPPORT	D-AL	1
85	MS20253P2-2570		..PIN	D-AL	1
90	285T0064-3		..HINGE-HALF	D-AL	1
95	285T0064-4		..HINGE-HALF	D-AL	1
100	285T0061-24		.DOOR ASSY	A,B	1
-100A	285T0061-28		.DOOR ASSY	C-F	1
-100B	285T0061-36		.DOOR ASSY	G-AL	1
105	BACR15BB3AD		..RIVET- (SIZE DETERMINE ON INST) (NHA 285T0061)	C-AL	12

25-71-02

 ILLUSTRATED PARTS LIST
 01 Page 1080D
 Nov 01/02


BOEING
 COMPONENT
 MAINTENANCE MANUAL

FIG. & ITEM	PART NO.	AIRLINE PART NUMBER	NOMENCLATURE 1234567	EFF CODE	QTY PER ASSY
02-110	BACR15BA3AD		..RIVET- (SIZE DETERMINE ON INST) (NHA 285T0061)	C-AL	4
115	285T0061-29		..RETAINER-CUSHION	C-AL	4
120	285T0061-30		..BRACKET	C-AL	4
125	285T0061-19		..SEAL	A-AL	1
130	285T0061-20		..SEAL	A-AL	2
135	285T0061-21		..SEAL	A-AL	4
140	BACS21Y4R		..STUD ASSY	A-AL	4
145	2600LW		..WASHER- (V71286) (SPEC BACW10X4) (OPT 1127700 (V60119))	A-AL	4
150	285T0061-22		..DOOR	A-F	1
-150A	285T0061-37		..DOOR	G-AL	1
155	BACR15BB5AD		.RIVET- (SIZE DETERMINE ON INST) (NHA 285T0007)	A-F,A G	2
160	WSI4-6		.NUTPLATE- (V04169) (SPEC BACN10TL3-6)	A-F,A G	1
165	BACR15FT5AD		.RIVET- (SIZE DETERMINE ON INST) (NHA 285T0007)	A-C	5
170	BACR15FT6AD		.RIVET- (SIZE DETERMINE ON INST) (NHA 285T0007)	D-AL	9
175	285T0065-2		.BRACKET	A-C	1
-175A	285T0065-3		DELETED		
-175B	285T0065-5		DELETED		
-175C	285T0065-7		DELETED		
175J	285T0065-3		.BRACKET	D-F	1
177	285T0065-5		.BRACKET	G-R,V W,AB	1
178J	285T0065-7		.BRACKET	S-U, X-AA, AC-AL	1

25-71-02

ILLUSTRATED PARTS LIST

01

Page 1080E

Nov 01/02

FIG. & ITEM	PART NO.	AIRLINE PART NUMBER	NOMENCLATURE 1234567	EFF CODE	QTY PER ASSY
02-180	BACR15BB3AD		.RIVET- (SIZE DETERMINE ON INST) (NHA 285T0007)	A-AL	8
185	WSI4-3		.NUTPLATE- (V04169) (SPEC BACN10TL3-3)	A-AL	2
190	WSI4-6		.NUTPLATE- (V04169) (SPEC BACN10TL3-6)	A-AL	1
195	WSI4-10		.NUTPLATE- (V04169) (SPEC BACN10TL3-10)	A-F	1
200	BACR15BB3AD		.RIVET- (SIZE DETERMINE ON INST) (NHA 285T0007)	A-AL	6
205	BACR11Y1		.RECEPTACLE	A-AL	3
210	285T0018-9		.SPACER	A-AL	3
215	BACR15BB5AD		.RIVET- (SIZE DETERMINE ON INST) (NHA 285T0007)	A-AL	4
220	285T0155-3		.SPUD ASSY	A	1
-220A	217T2113-1		DELETED		
222	217T2113-1		.INLET ASSY	B-AL	1
225	BACR15BB4A		..RIVET- (SIZE DETERMINE ON INST) (NHA 217T2113)	B-AL	2
230	NAS42DD4-4		..SPACER	B-AL	2
235	217T1436-1		..RETAINER	B-AL	1
237	BAC27TEC0160		...MARKER- TEST PORT	B-AL	1
240	217T1435-2		..PLUG	B-AL	1
242	217T2113-4		..WELD ASSY	B-AL	1
245	285T0061-6		.PANEL-REAR	A-AL	1

25-71-02

 ILLUSTRATED PARTS LIST
 01 Page 1080F
 Nov 01/02


BOEING
 COMPONENT
 MAINTENANCE MANUAL

FIG. & ITEM	PART NO.	AIRLINE PART NUMBER	NOMENCLATURE 1234567	EFF CODE	QTY PER ASSY
02-					
250	285T0061-26		.BOX ASSY	A-E	1
-250A	285T0061-34		.BOX ASSY	F	1
-250B	285T0061-38		.BOX ASSY	G,H,K ,L,P, R	1
-250C	285T0061-41		.BOX ASSY	J,M,N ,V, X-AL	1
-250D	285T0061-44		.BOX ASSY	Q,W	1
-250E	285T0061-45		.BOX ASSY	S-U	1
255	BACR15BA3AD		..RIVET- (SIZE DETERMINE ON INST) (NHA 217T0061)	A-AL	16
260	F5000-06BAC		..NUTPLATE- (V15653) (SPEC BACN10JR06F) (OPT NS103203-62 (V80539)) (OPT RMF9201-62 (V72962)) (OPT VN152A1-62 (V92215)) (OPT T8091S632 (V11815)) (OPT BRF200A06 (V52828))	A-AL	4
265	NS103227-62		..NUTPLATE- (V80539) (SPEC BACN10KA06B) (OPT T8099S632SK (V11815))	A-AL	4
270	285T0061-5		..PANEL-TOP	A-AL	1
275	285T0061-2		..PANEL-SIDE	A-AL	1
280	285T0061-3		..PANEL-SIDE	A-AL	1
285	285T0061-27		..PANEL-BOTTOM	A-E	1

25-71-02

ILLUSTRATED PARTS LIST

01

Page 1080G

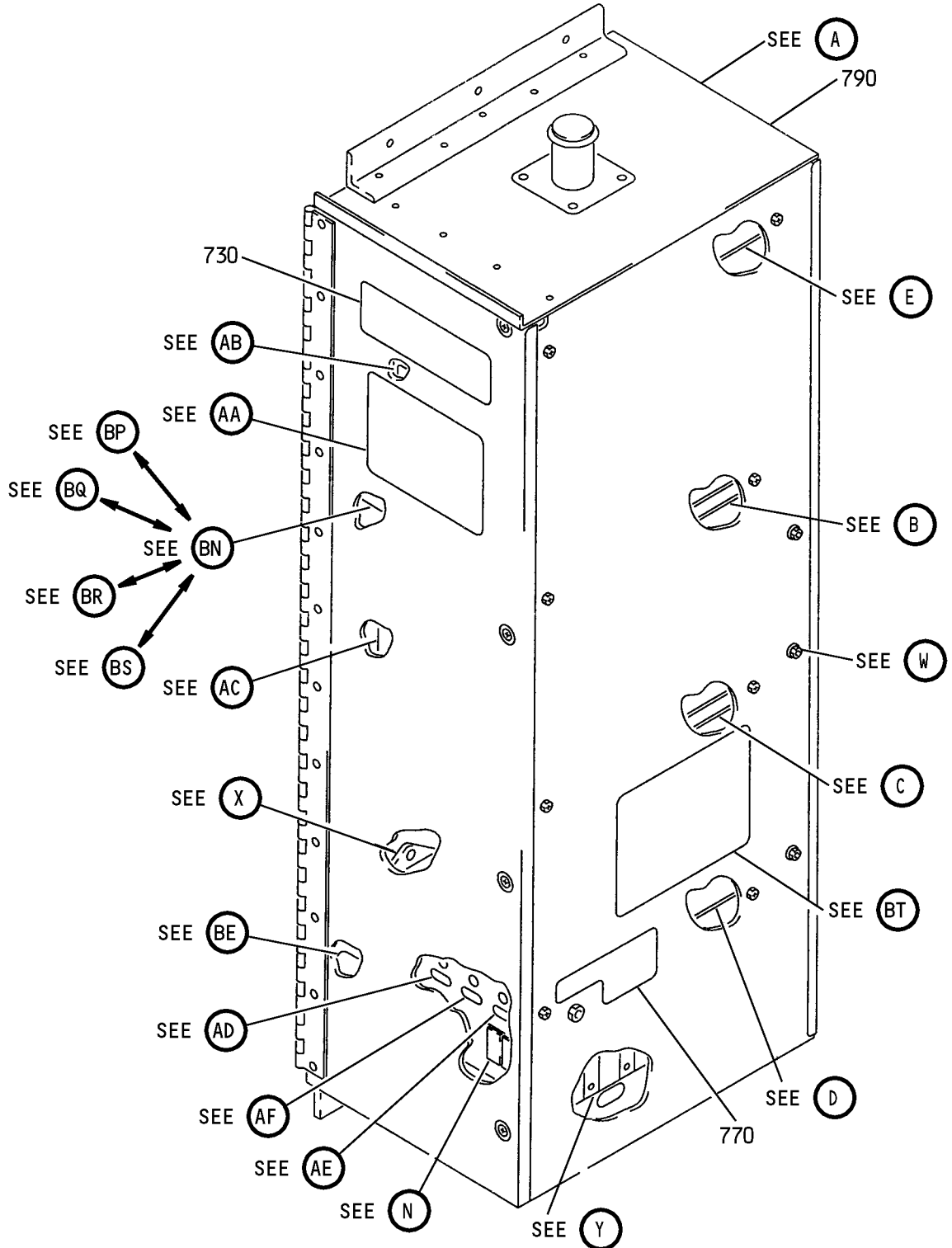
Nov 01/02

FIG. & ITEM	PART NO.	AIRLINE PART NUMBER	NOMENCLATURE 1234567	EFF CODE	QTY PER ASSY
02-					
-285A	285T0061-35		..PANEL-BOTTOM	F	1
-285B	285T0061-39		..PANEL-BOTTOM	G,H,K L,P R	1
-285C	285T0061-42		..PANEL-BOTTOM	J,M,N V X-AL	1
-285D	284T1356-1		..PANEL-BOTTOM	Q,W	1
-285E	285T0061-46		..PANEL-BOTTOM	S-U	1

- Item Not Illustrated

25-71-02

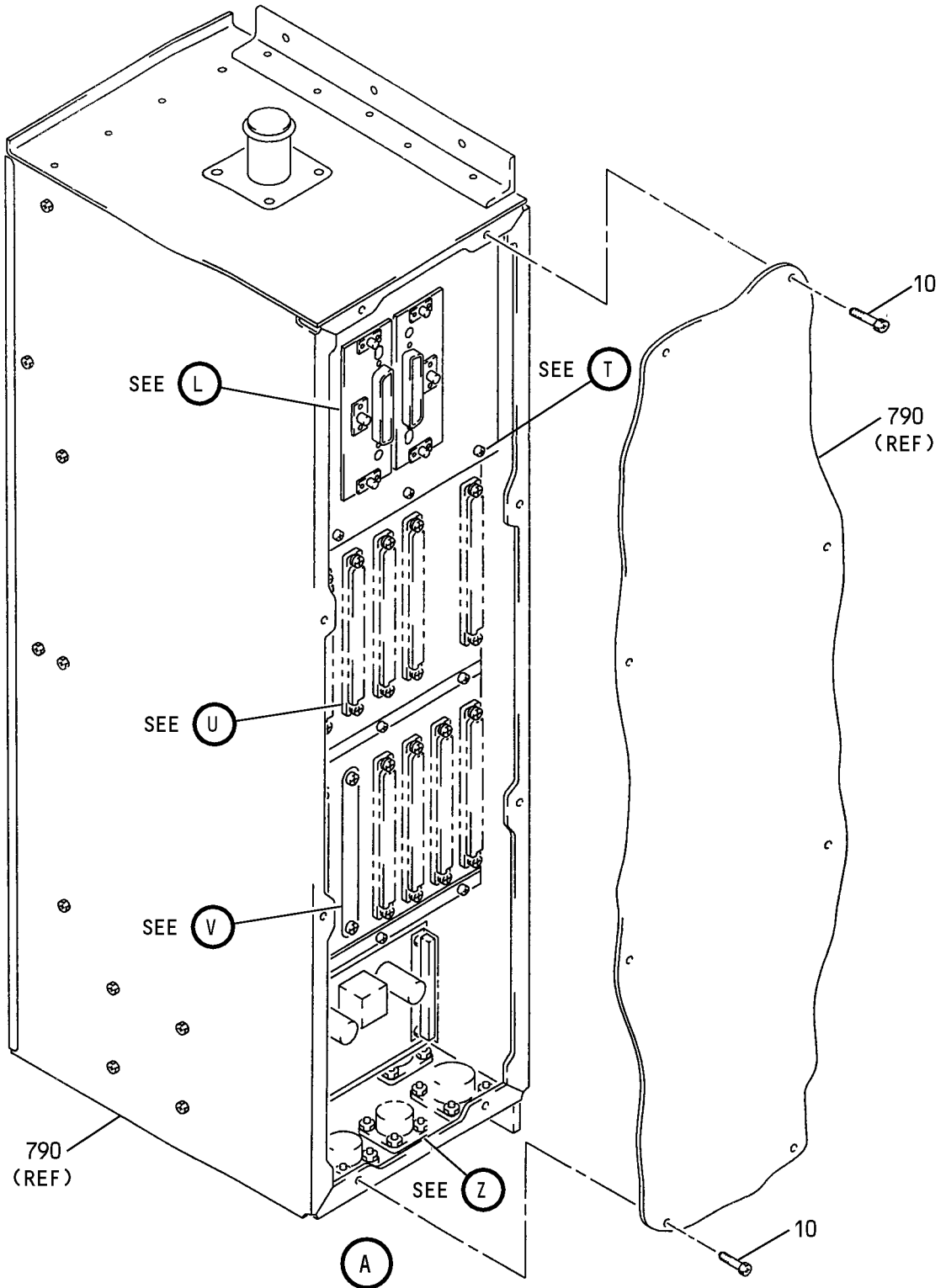
ILLUSTRATED PARTS LIST
 01 Page 1080H
 Nov 01/02



Warning Electronics Unit Chassis Assembly
Figure 3 (Sheet 1)

25-71-02

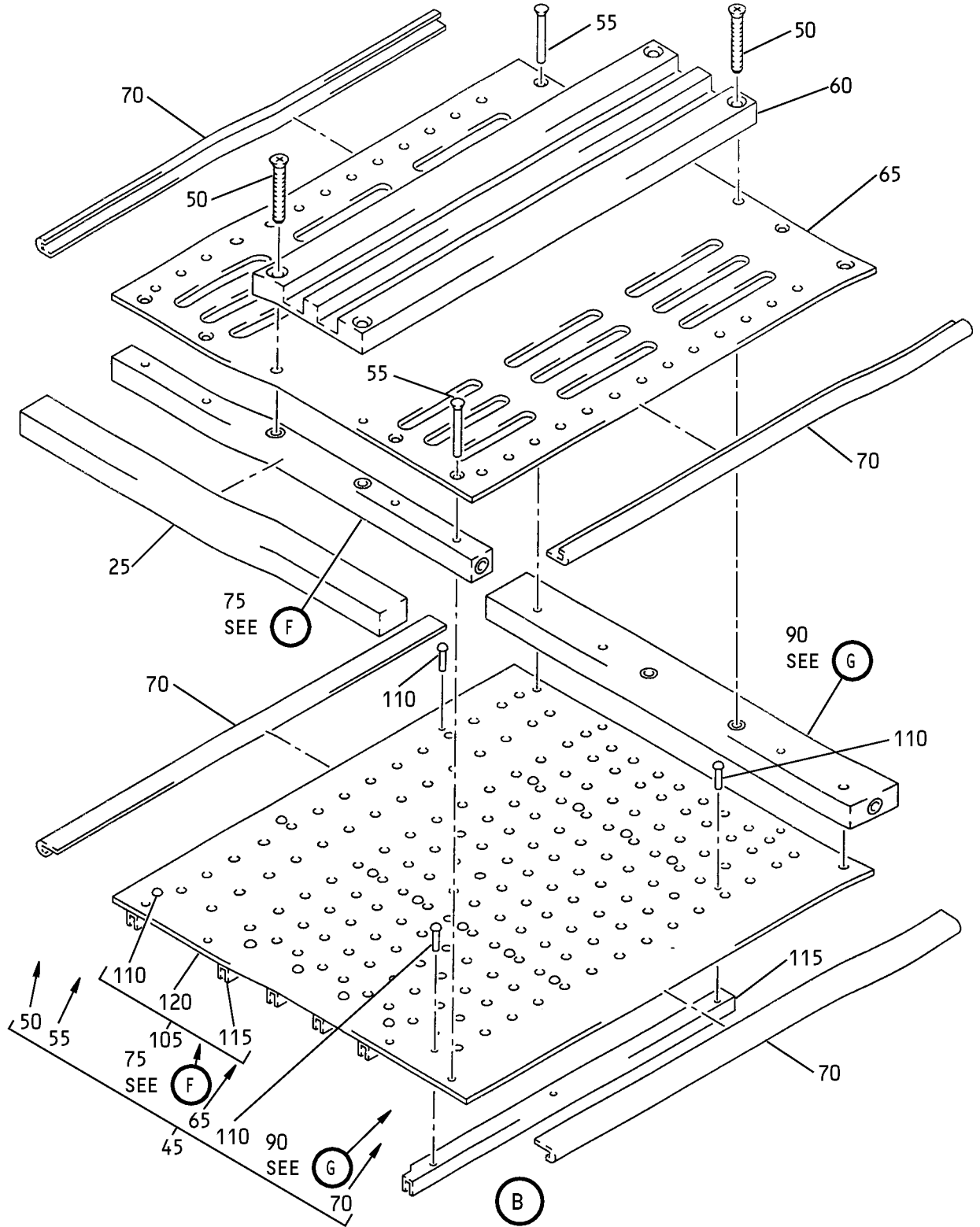
ILLUSTRATED PARTS LIST
01 Page 1080I
Nov 01/02



Warning Electronics Unit Chassis Assembly
 Figure 3 (Sheet 2)

25-71-02

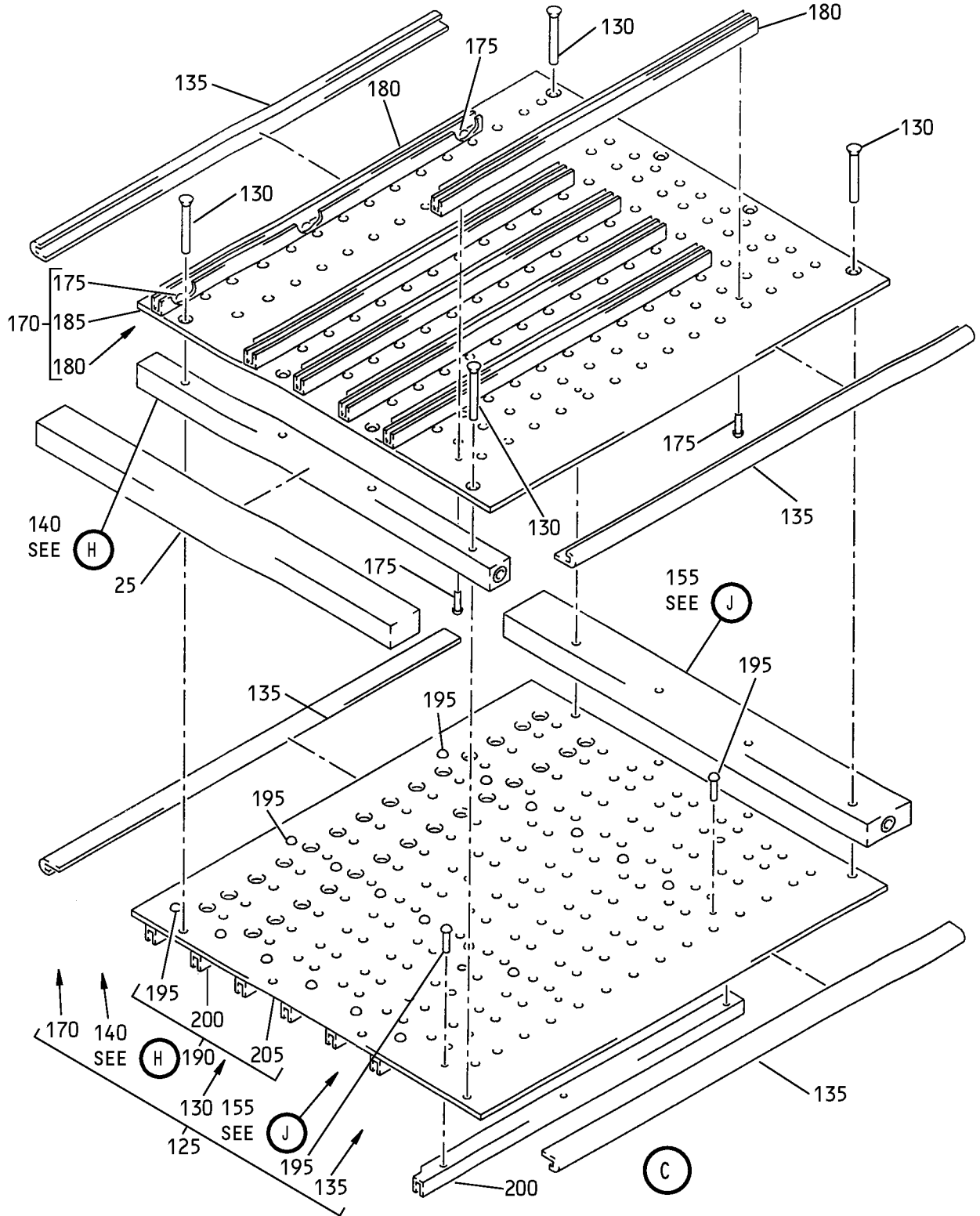
ILLUSTRATED PARTS LIST
 01 Page 1080J
 Nov 01/02



Warning Electronics Unit Chassis Assembly
Figure 3 (Sheet 3)

25-71-02

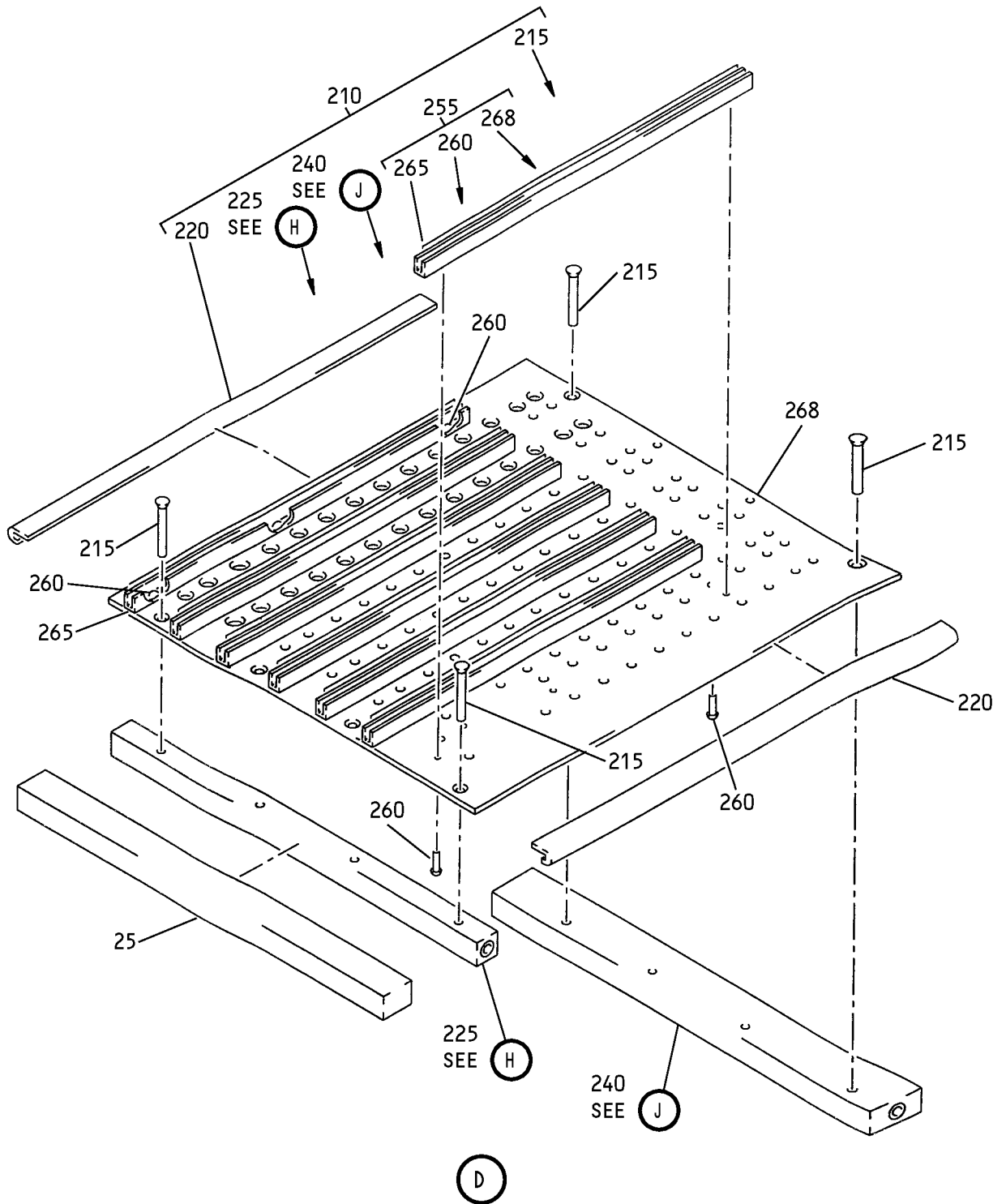
ILLUSTRATED PARTS LIST
01 Page 1080K
Nov 01/02



Warning Electronics Unit Chassis Assembly
 Figure 3 (Sheet 4)

25-71-02

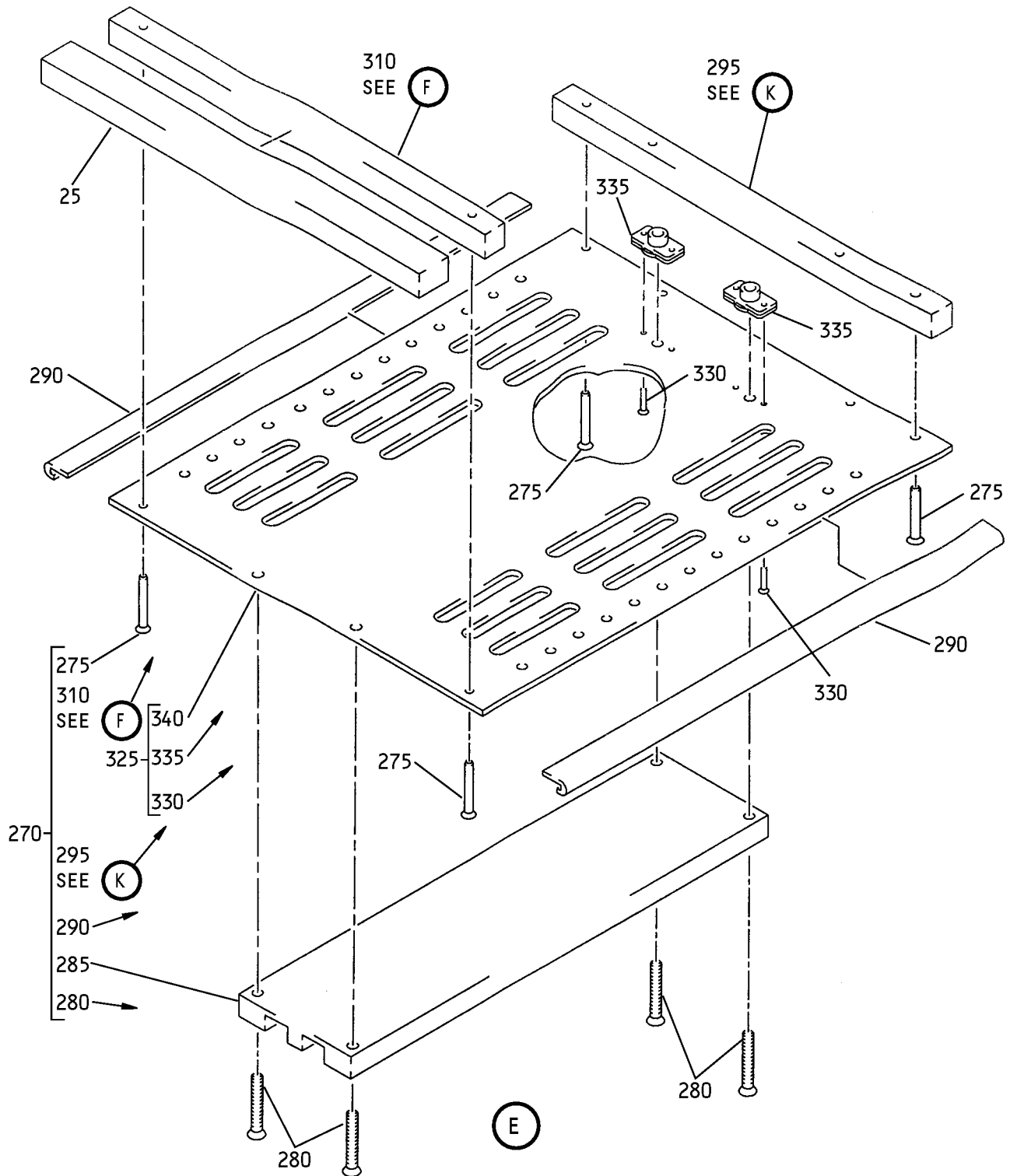
ILLUSTRATED PARTS LIST
 01 Page 1080L
 Nov 01/02



Warning Electronics Unit Chassis Assembly
Figure 3 (Sheet 5)

25-71-02

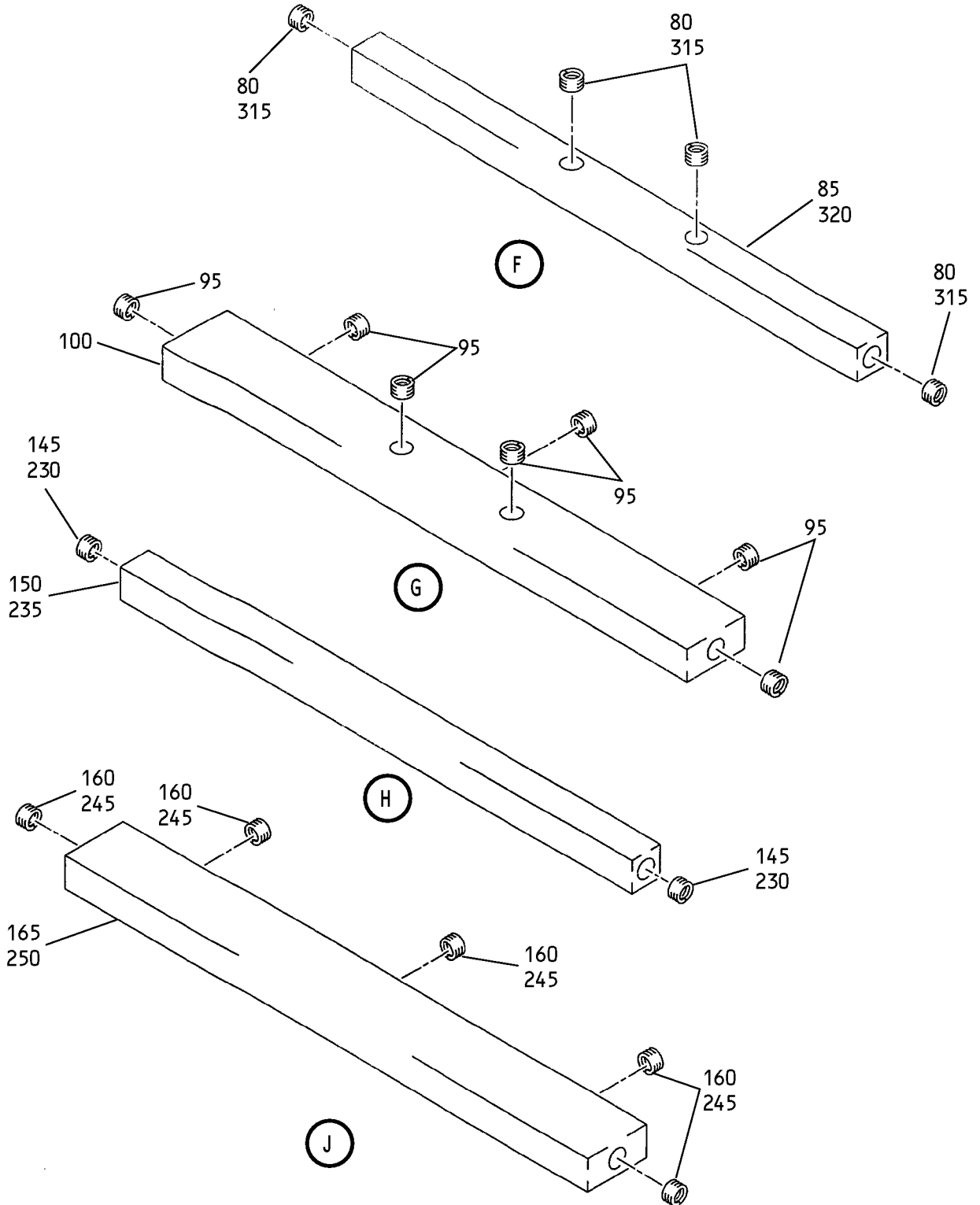
ILLUSTRATED PARTS LIST
01 Page 1080M
Nov 01/02



Warning Electronics Unit Chassis Assembly
 Figure 3 (Sheet 6)

25-71-02

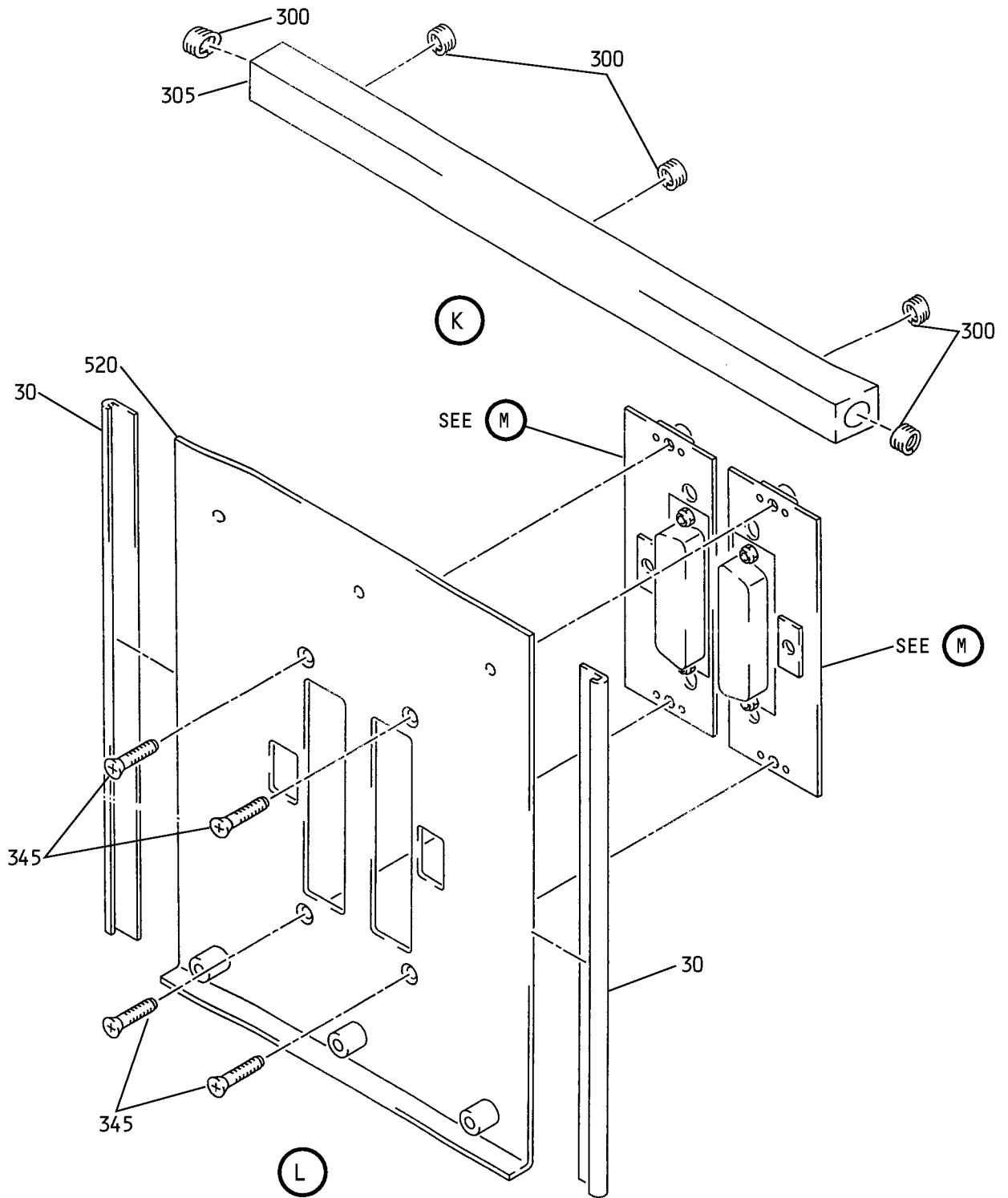
ILLUSTRATED PARTS LIST
 01 Page 1080N
 Nov 01/02



Warning Electronics Unit Chassis Assembly
Figure 3 (Sheet 7)

25-71-02

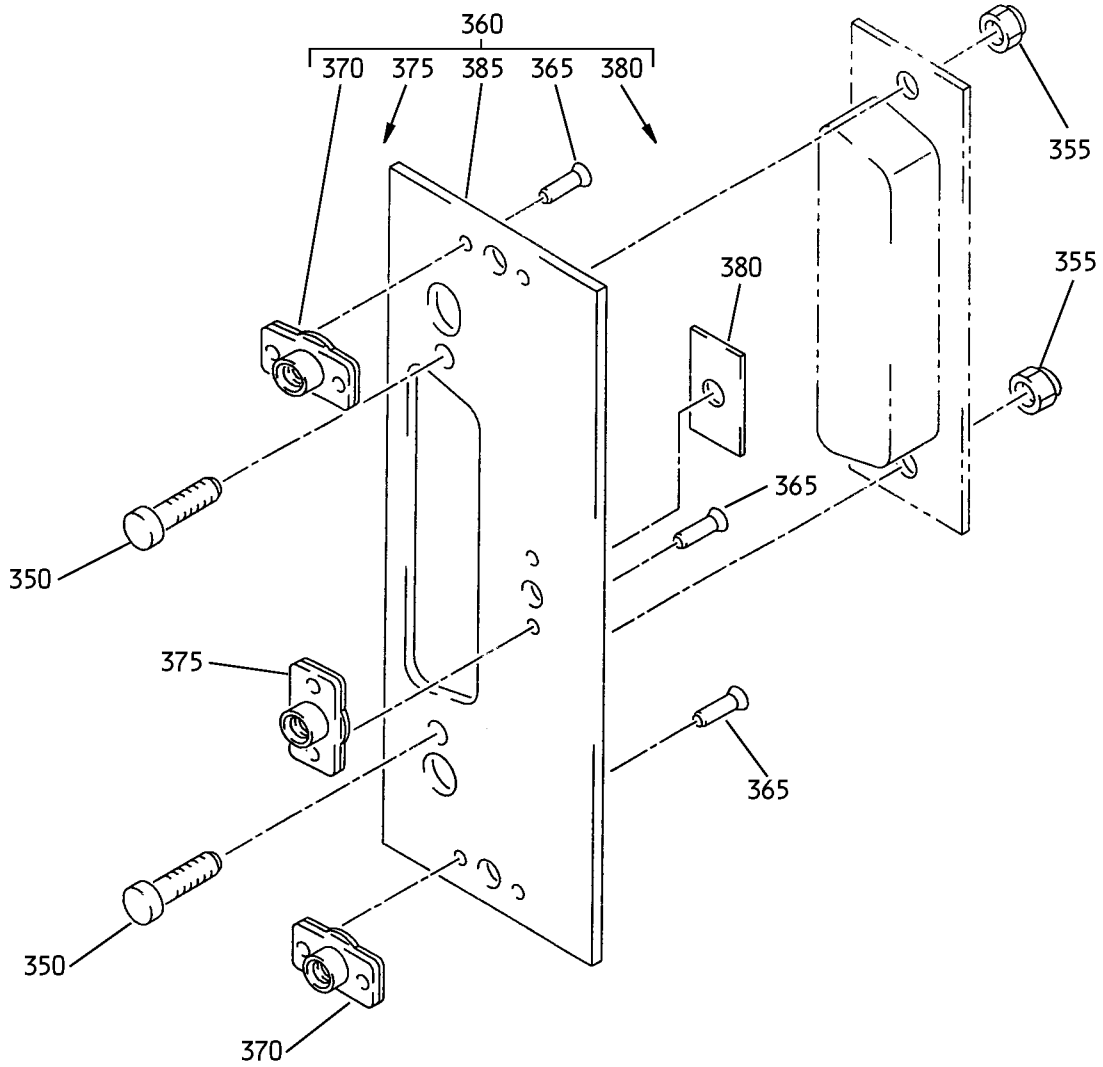
ILLUSTRATED PARTS LIST
01 Page 10800
Nov 01/02



Warning Electronics Unit Chassis Assembly
Figure 3 (Sheet 8)

25-71-02

ILLUSTRATED PARTS LIST
01 Page 1080P
Nov 01/02

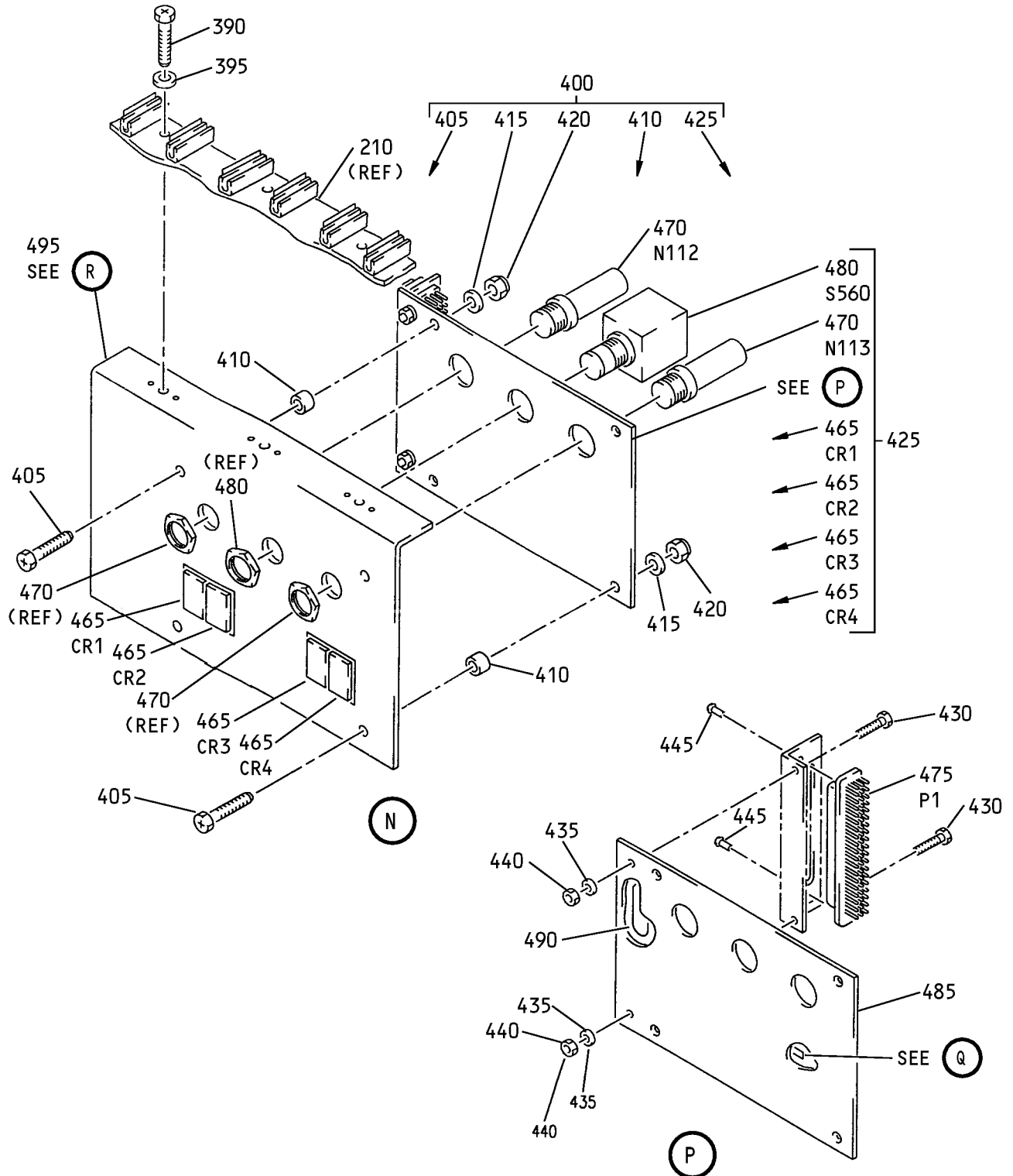


M

Warning Electronics Unit Chassis Assembly
Figure 3 (Sheet 9)

25-71-02

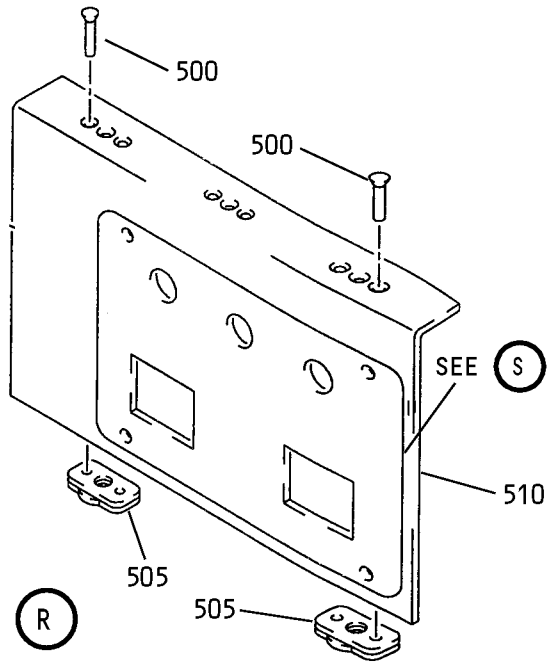
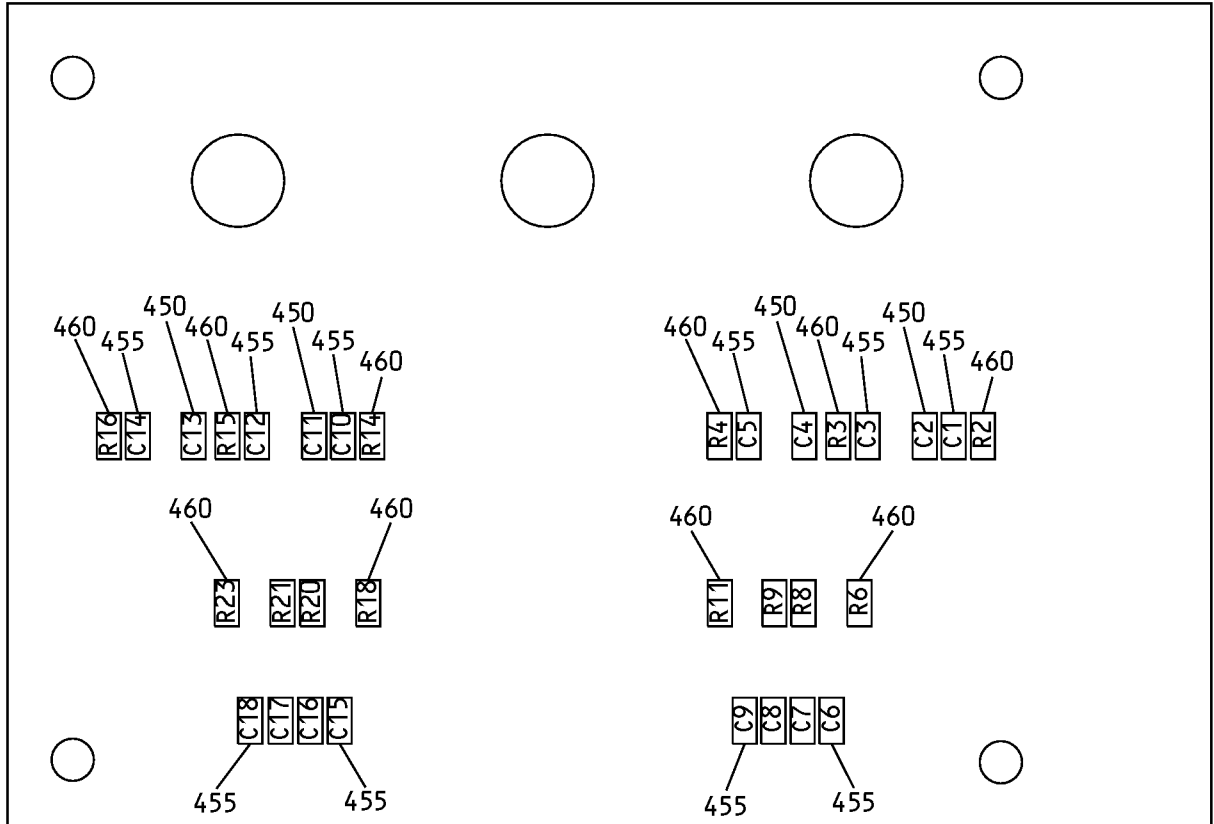
ILLUSTRATED PARTS LIST
01 Page 1080Q
Nov 01/02



Warning Electronics Unit Chassis Assembly
 Figure 3 (Sheet 10)

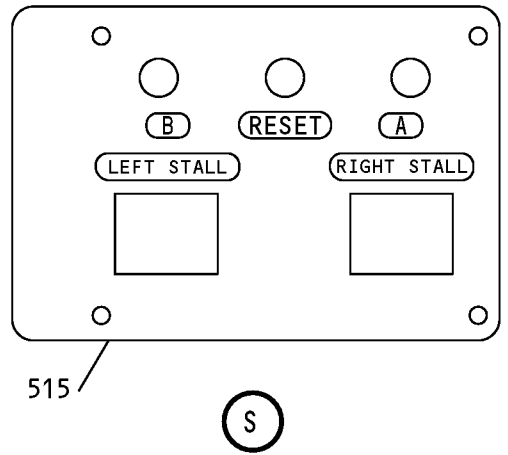
25-71-02

ILLUSTRATED PARTS LIST
 01 Page 1080R
 Nov 01/02



Q

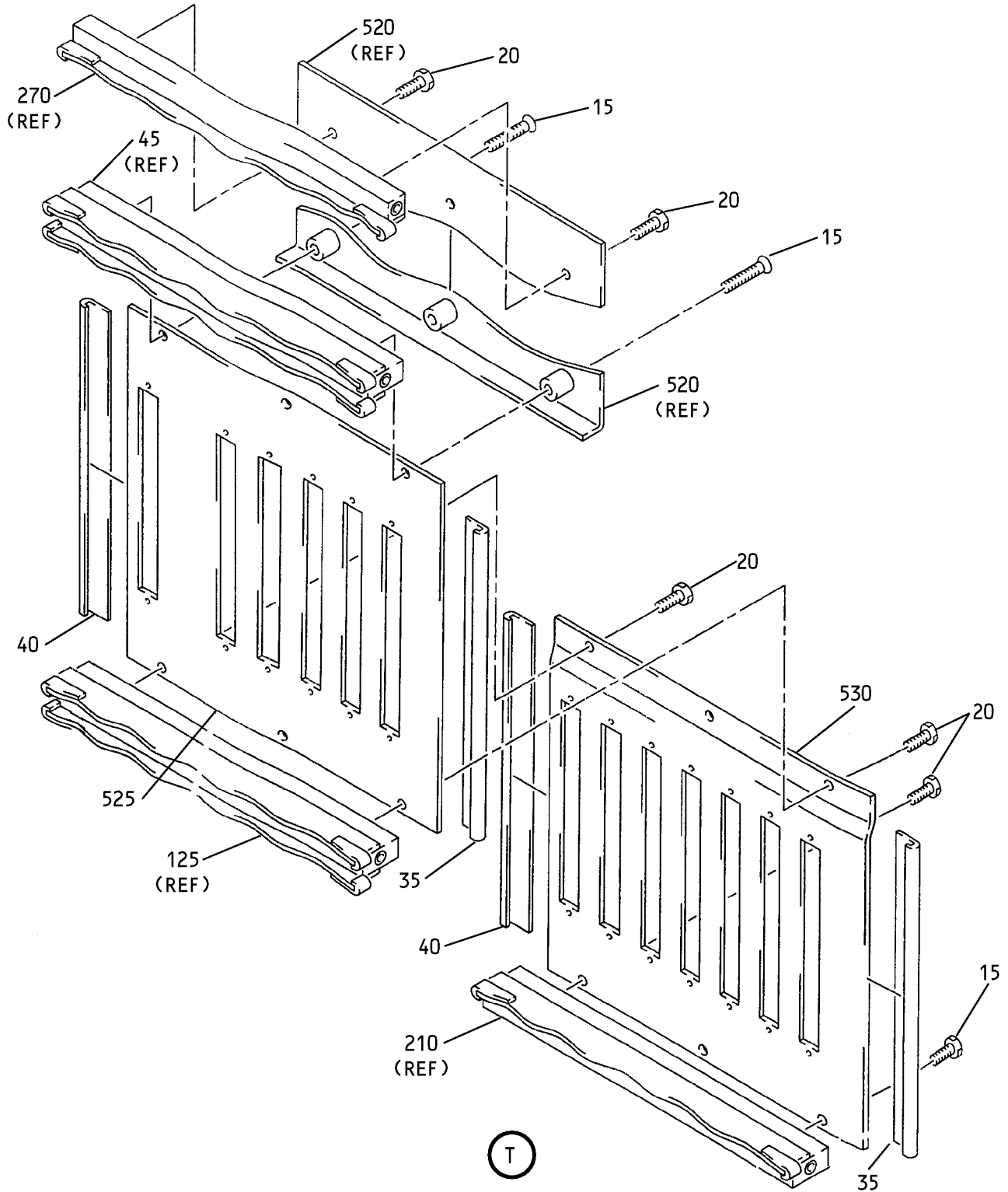
485
(REF)



Warning Electronics Unit Chassis Assembly
 Figure 3 (Sheet 11)

25-71-02

ILLUSTRATED PARTS LIST
 01 Page 1080S
 Nov 01/02

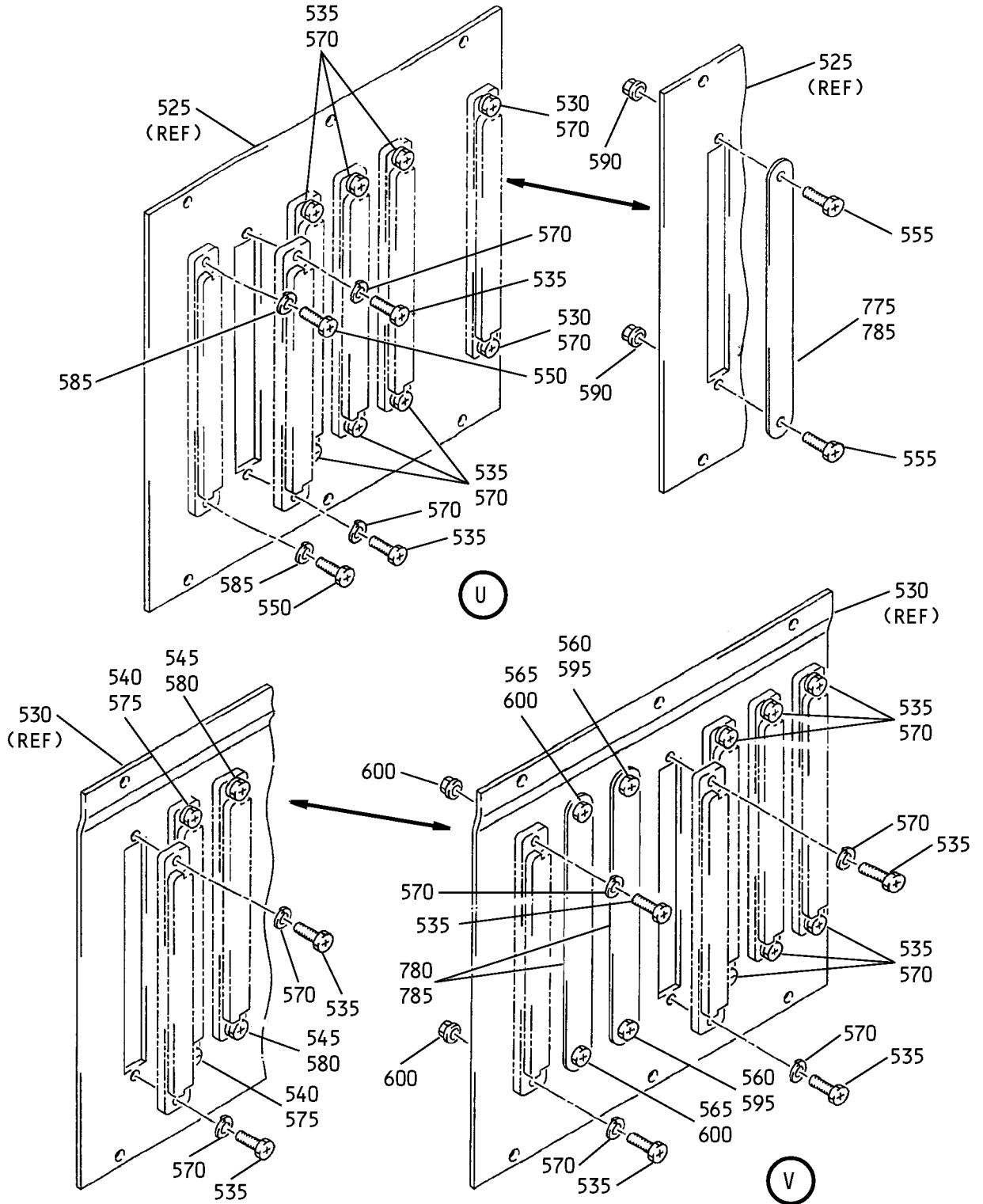


Warning Electronics Unit Chassis Assembly
 Figure 3 (Sheet 12)

25-71-02

ILLUSTRATED PARTS LIST
 01 Page 1080T
 Nov 01/02

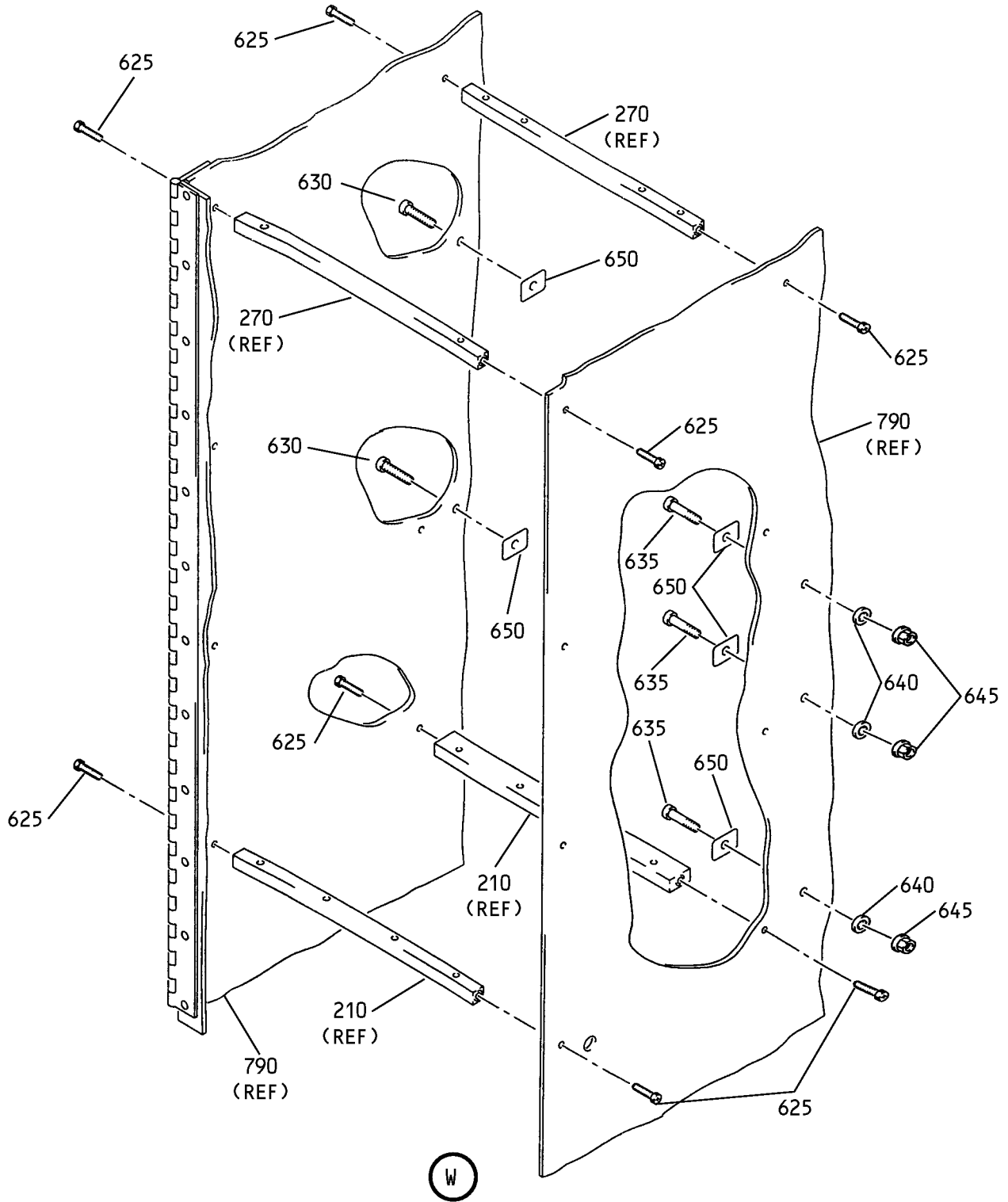
BOEING
 COMPONENT
 MAINTENANCE MANUAL



Warning Electronics Unit Chassis Assembly
 Figure 3 (Sheet 13)

25-71-02

ILLUSTRATED PARTS LIST
 01 Page 1080U
 Nov 01/02

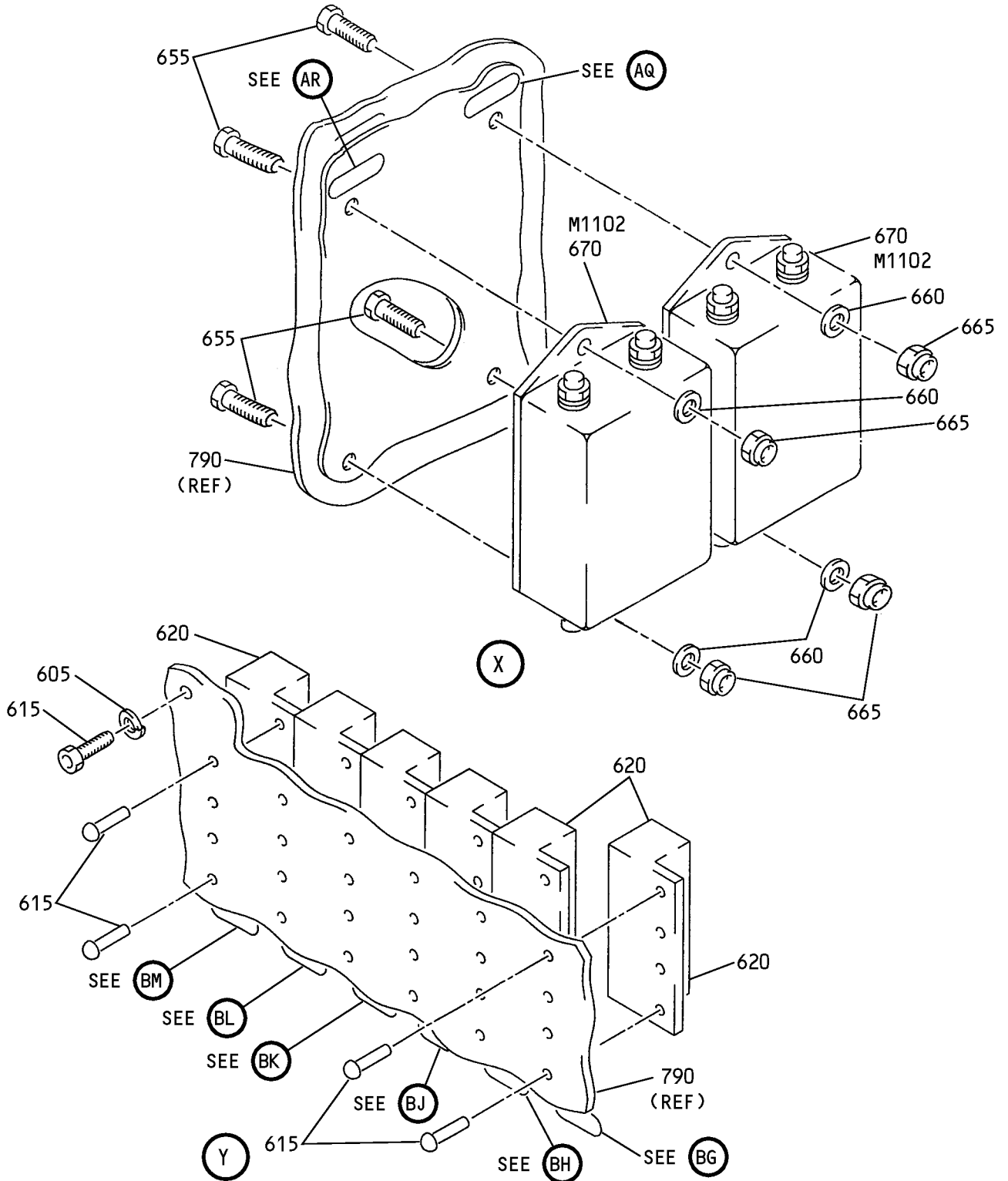


Warning Electronics Unit Chassis Assembly
 Figure 3 (Sheet 14)

25-71-02

ILLUSTRATED PARTS LIST
 01 Page 1080V
 Nov 01/02

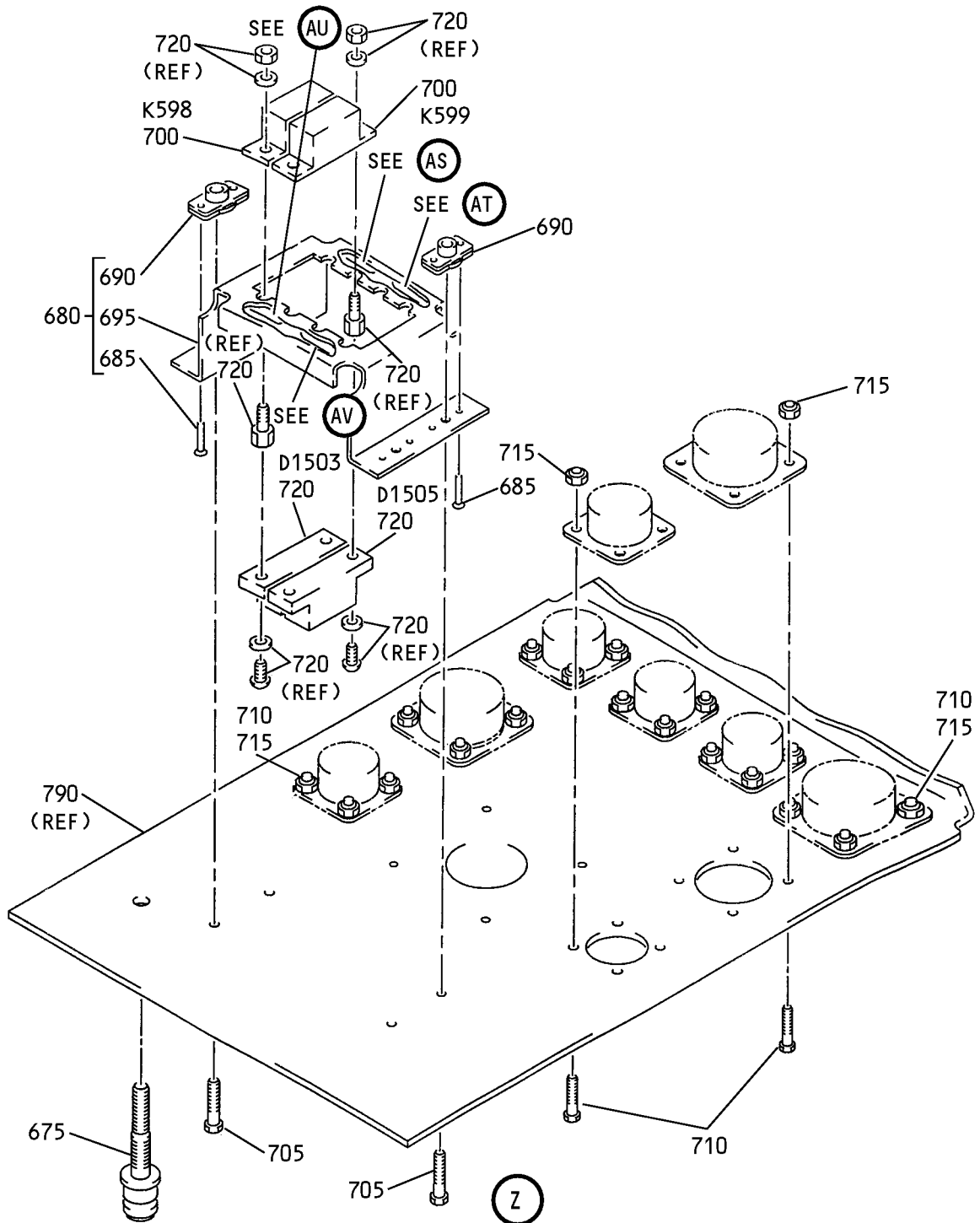
BOEING
COMPONENT
MAINTENANCE MANUAL



Warning Electronics Unit Chassis Assembly
Figure 3 (Sheet 15)

25-71-02

ILLUSTRATED PARTS LIST
01 Page 1080W
Nov 01/02

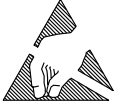


Warning Electronics Unit Chassis Assembly
Figure 3 (Sheet 16)

25-71-02

ILLUSTRATED PARTS LIST
01 Page 1080X
Nov 01/02

735



ATTENTION

THIS UNIT CONTAINS STATIC SENSITIVE DEVICES. CONNECT GROUNDING WRIST STRAP TO ELECTROSTATIC GROUND JACK LOCATED AT THE LOWER RIGHT HAND SIDE OF THIS UNIT.

AA

740



CAUTION

OBSERVE PRECAUTIONS FOR HANDLING ELECTROSTATIC SENSITIVE DEVICES

AB

Warning Electronics Unit Chassis Assembly
Figure 3 (Sheet 17)

25-71-02

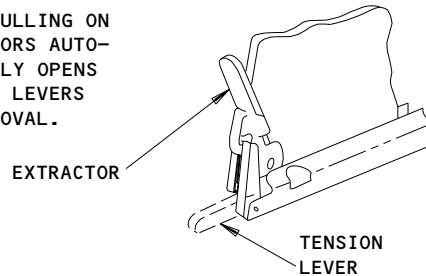
ILLUSTRATED PARTS LIST
01 Page 1080Y
Nov 01/02

745

**TO INSTALL PRINTED CIRCUIT
ASSEMBLIES IN CARD FILES:**

1. WITH TOP & BOTTOM CARD GUIDE TENSION LEVERS IN THE OPEN POSITION, SLIDE CARD ASSY INTO GUIDES UNTIL CONNECTOR IS MATED.
2. PRESS HARD ON BOTH EXTRACTORS TO BOTTOM OUT CONNECTOR
3. CLOSE TOP & BOTTOM CARD GUIDE TENSION LEVERS.

NOTE: PULLING ON EXTRACTORS AUTOMATICALLY OPENS TENSION LEVERS FOR REMOVAL.

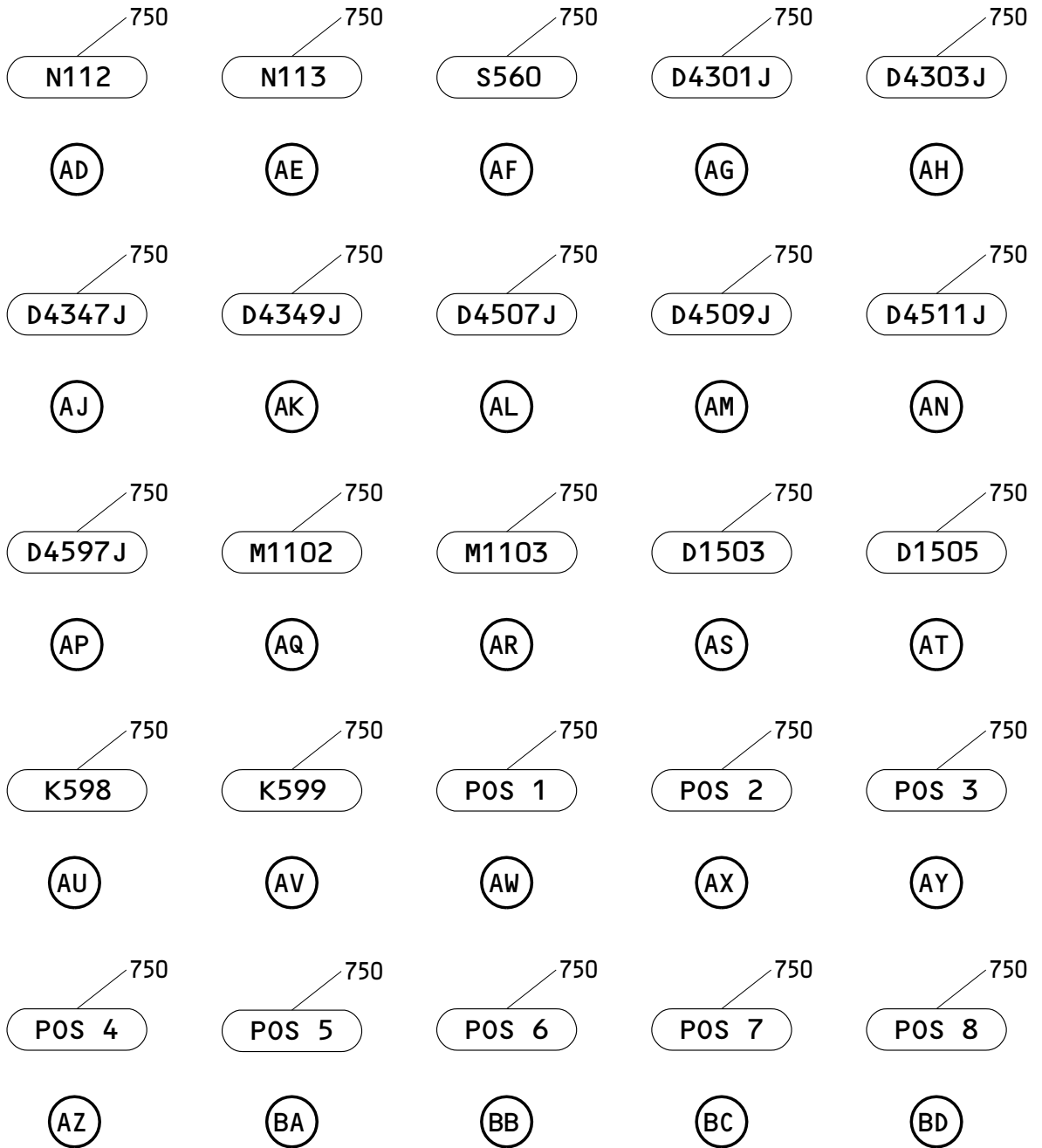


(AC)

Warning Electronics Unit Chassis Assembly
Figure 3 (Sheet 18)

25-71-02

ILLUSTRATED PARTS LIST
01 Page 1080Z
Nov 01/02



Warning Electronics Unit Chassis Assembly
 Figure 3 (Sheet 19)

25-71-02

755

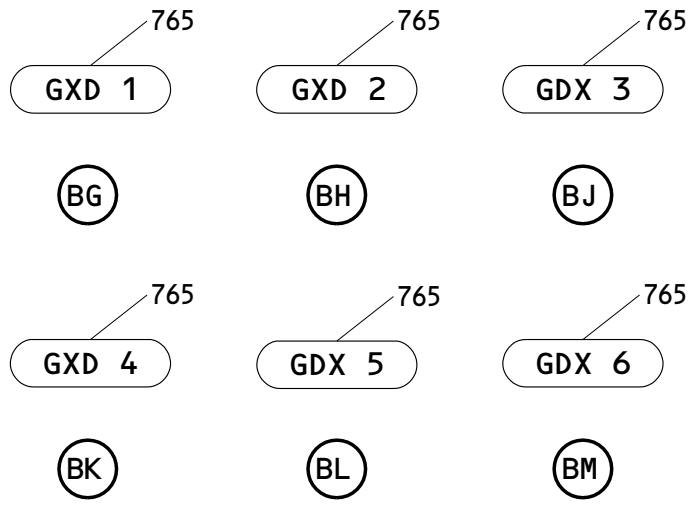
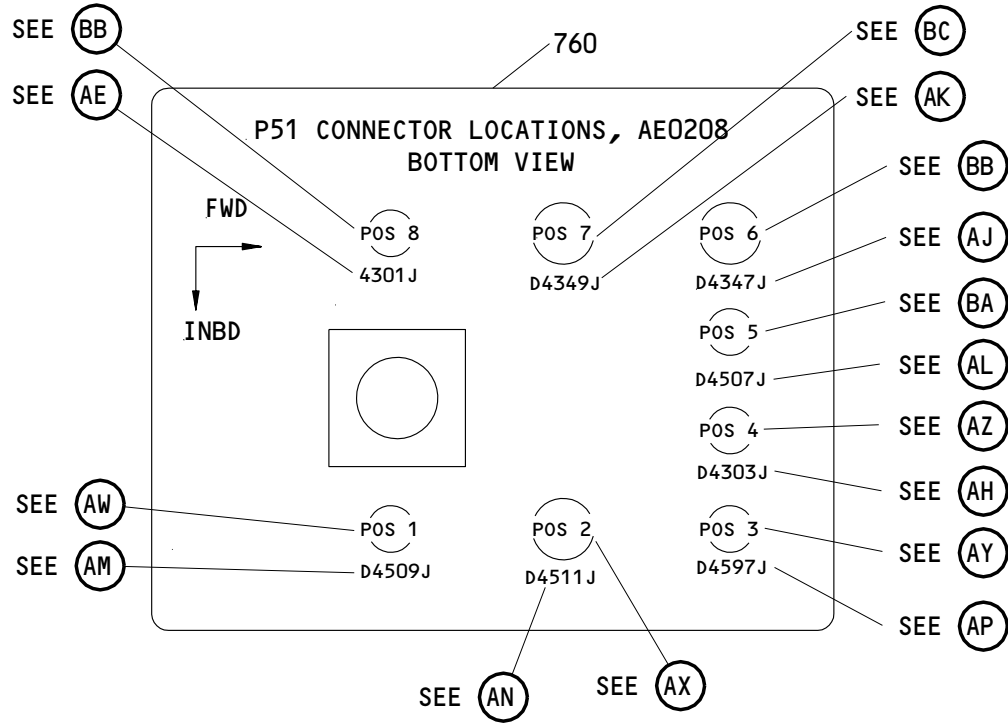
WEU STATUS DISPLAY																					
<p>POWER SUPPLY M616 AND M621 STATUS: YELLOW FAULT BALL INDICATES POSSIBLE FAULTY M616(L) OR M621(R). TO RESET FAULT BALL SWITCH L OR R POWER OFF MOMENTARILY THEN REAPPLY POWER. MOMENTARILY PRESS RESET BUTTON. NOTE: A FAULTY POWER SUPPLY WILL NOT RESET.</p>																					
<p>STALL WARNING M615 AND M938 STATUS: ONLY 1 TWO-DIGIT CODE WILL BE DISPLAYED FOR EACH STALL WARNING COMPUTER (L:M615, R:M938) REGARDLESS OF THE NUMBER OF FAULTS/ANOMALIES PRESENT. THE PRIORITY OF DISPLAY IS: SWC FAULTS A0-C5 INTERFACE ANOMALIES D0-D9 CONFIG ID 1,2,3/0-F</p>																					
<p>CONFIG ID: 1X - NORMAL 767-300 2X - NORMAL 767-300 (ER WING) 3X - NORMAL 767-200 FX - INVALID CONFIGURATION (X = OPTION VALUES 0 THROUGH F) INTERFACE ANOMALIES: D0 STICK SHAKER INOP D1 ADC INPUT INVALID D2 FLAPS POSN INVALID D3 SPEED BREAKS INVALID D4 MULTIPLE LE SLATS D5 NO LEADING EDGE SLATS D6 IRS INPUT INVALID D7 FMA INPUT INVALID D8 AIR/GND CONFLICT D9 OPPOSITE CHANNEL</p>	<p>SWC FAULTS:</p> <table border="0"> <tr> <td>A0 MULTIPLE FAULTS</td> <td>B0 IN DISC #10</td> </tr> <tr> <td>A1 IN DISC #1</td> <td>B1 IN DISC #11</td> </tr> <tr> <td>A2 IN DISC #2</td> <td>B2 IN DISC #12</td> </tr> <tr> <td>A3 IN DISC #3</td> <td>B6 ARINC IN</td> </tr> <tr> <td>A4 IN DISC #4</td> <td>C0 A/D</td> </tr> <tr> <td>A5 IN DISC #5</td> <td>C1 OUT DISC #1</td> </tr> <tr> <td>A6 IN DISC #6</td> <td>C2 OUT DISC #2</td> </tr> <tr> <td>A7 IN DISC #7</td> <td>C3 OUT DISC #3</td> </tr> <tr> <td>A8 IN DISC #8</td> <td>C4 OUT DISC #4</td> </tr> <tr> <td>A9 IN DISC #9</td> <td>C5 OUT DISC #5</td> </tr> </table>	A0 MULTIPLE FAULTS	B0 IN DISC #10	A1 IN DISC #1	B1 IN DISC #11	A2 IN DISC #2	B2 IN DISC #12	A3 IN DISC #3	B6 ARINC IN	A4 IN DISC #4	C0 A/D	A5 IN DISC #5	C1 OUT DISC #1	A6 IN DISC #6	C2 OUT DISC #2	A7 IN DISC #7	C3 OUT DISC #3	A8 IN DISC #8	C4 OUT DISC #4	A9 IN DISC #9	C5 OUT DISC #5
A0 MULTIPLE FAULTS	B0 IN DISC #10																				
A1 IN DISC #1	B1 IN DISC #11																				
A2 IN DISC #2	B2 IN DISC #12																				
A3 IN DISC #3	B6 ARINC IN																				
A4 IN DISC #4	C0 A/D																				
A5 IN DISC #5	C1 OUT DISC #1																				
A6 IN DISC #6	C2 OUT DISC #2																				
A7 IN DISC #7	C3 OUT DISC #3																				
A8 IN DISC #8	C4 OUT DISC #4																				
A9 IN DISC #9	C5 OUT DISC #5																				

(BE)

Warning Electronics Unit Chassis Assembly
Figure 3 (Sheet 20)

25-71-02

ILLUSTRATED PARTS LIST
01 Page 1082
Nov 01/02

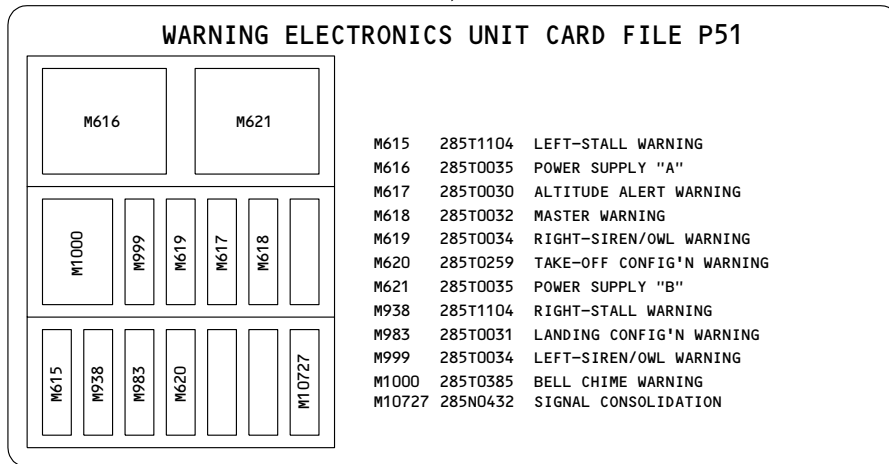


Warning Electronics Unit Chassis Assembly
 Figure 3 (Sheet 21)

25-71-02

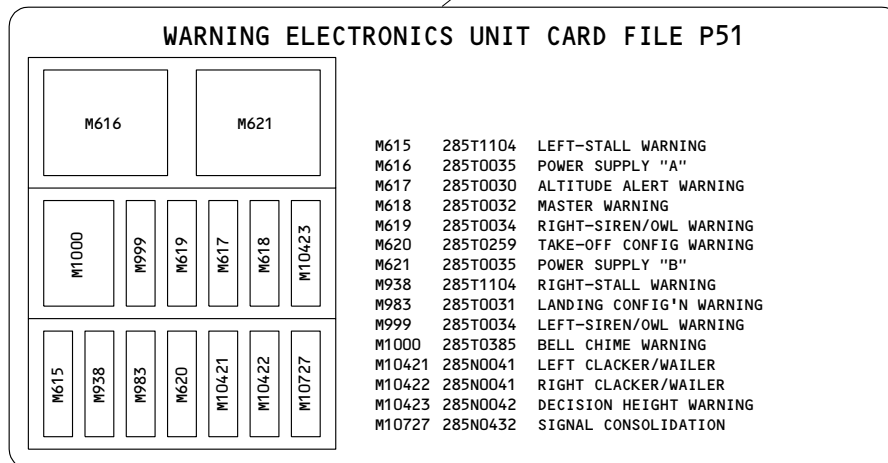
ILLUSTRATED PARTS LIST
 01 Page 1082A
 Nov 01/02

795



BN

800



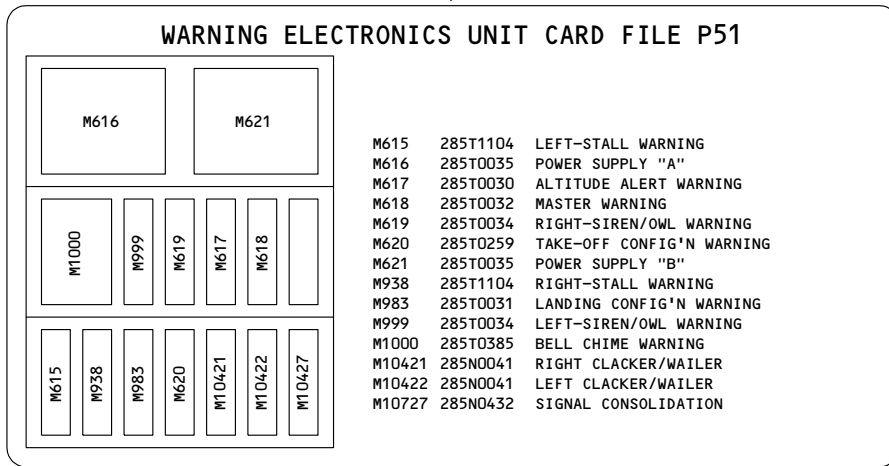
BP

Warning Electronics Unit Chassis Assembly
 Figure 3 (Sheet 22)

25-71-02

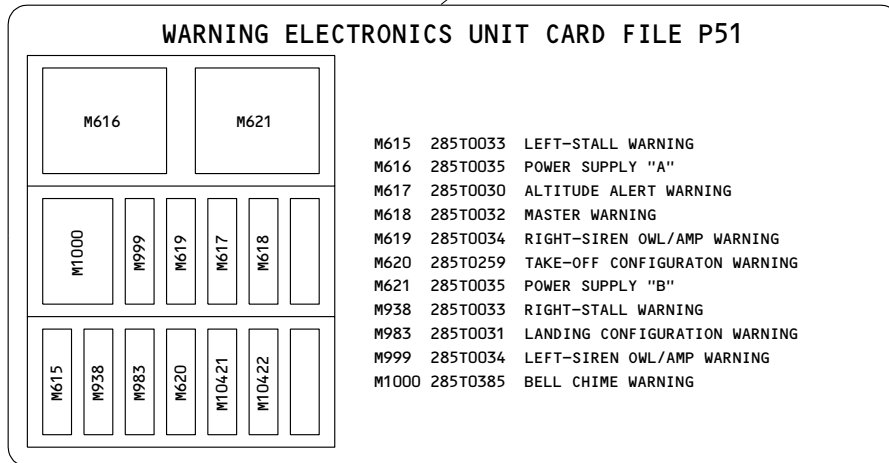
ILLUSTRATED PARTS LIST
 01 Page 1082B
 Nov 01/02

805



BQ

810



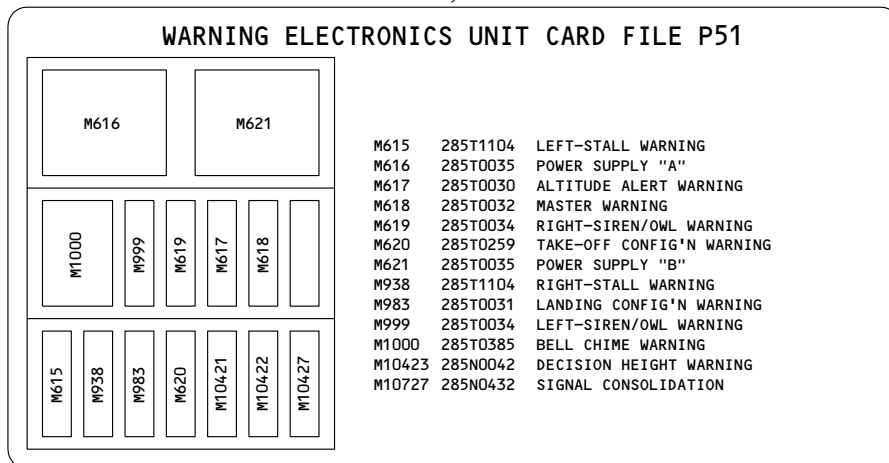
BR

Warning Electronics Unit Chassis Assembly
 Figure 3 (Sheet 23)

25-71-02

ILLUSTRATED PARTS LIST
 01 Page 1082C
 Nov 01/02

815



BS

Warning Electronics Unit Chassis Assembly
 Figure 3 (Sheet 24)

25-71-02

ILLUSTRATED PARTS LIST
 01 Page 1082D
 Nov 01/02


BOEING
 COMPONENT
 MAINTENANCE MANUAL

FIG. & ITEM	PART NO.	AIRLINE PART NUMBER	NOMENCLATURE 1234567	EFF CODE	QTY PER ASSY
03-					
-1A	285T0007-57		CHASSIS ASSY	X	RF
-1B	285T0007-58		CHASSIS ASSY	Y	RF
-1C	285T0007-59		CHASSIS ASSY	Z	RF
-1D	285T0007-61		CHASSIS ASSY	AA	RF
-1E	285T0007-64		CHASSIS ASSY	AC	RF
-1F	285T0007-66		CHASSIS ASSY	AD	RF
-1G	285T0007-67		CHASSIS ASSY	AE	RF
-1H	285T0007-68		CHASSIS ASSY	AF	RF
-1J	285T0007-69		CHASSIS ASSY	AG	RF
-1K	285T0007-71		CHASSIS ASSY	AH	RF
-1L	285T0007-72		CHASSIS ASSY	AJ	RF
-1M	285T0007-73		CHASSIS ASSY	AK	RF
-1N	285T0007-74		CHASSIS ASSY	AL	RF
-5	285T0007-7001		.PART COLLECTOR	X-AA, AC-AL	1
10	NAS1801-06-5		..SCREW	X-AA, AC-AL	8
15	NAS514P632-14P		..SCREW	X-AA, AC-AL	3
20	NAS1801-06-6		..SCREW	X-AA, AC-AL	9
25	285T0007-9		..SEAL	X-AA, AC-AL	4
30	285T0007-7		..SEAL	X-AA, AC-AL	2
35	285T0007-4		..SEAL	X-AA, AC-AL	2
40	285T0007-5		..SEAL	X-AA, AC-AL	2
45	285T0298-8		..PANEL ASSY	X-AA, AC-AL	1
50	NAS514P632-12		...SCREW	X-AA, AC-AL	4
55	BACR15BA4AD		...RIVET- (SIZE DETERMINE ON INST) (NHA 285T0298)	X-AA, AC-AL	8

25-71-02

ILLUSTRATED PARTS LIST

01

Page 1082E

Nov 01/02

FIG. & ITEM	PART NO.	AIRLINE PART NUMBER	NOMENCLATURE 1234567	EFF CODE	QTY PER ASSY
03-60	285T0297-4		...BRACKET-HOLD DOWN	X-AA, AC-AL	1
65	285T0062-29		...PANEL-DETAIL	X-AA, AC-AL	1
70	285T0298-5		...SEAL	X-AA, AC-AL	4
75	285T0223-5		...BAR ASSY	X-AA, AC-AL	1
80	MS21209C0615	INSERT	X-AA, AC-AL	4
85	285T0223-11	BAR-SUPPORT	X-AA, AC-AL	1
90	285T0223-15		...BAR ASSY-SUPPORT	X-AA, AC-AL	1
95	MS21209C0615	INSERT	X-AA, AC-AL	7
100	285T0223-16	BAR-SUPPORT	X-AA, AC-AL	1
105	285T0062-27		...PANEL ASSY	X-AA, AC-AL	1
110	BACR15BB2AD	RIVET- (SIZE DETERMINE ON INST) (NHA 285T0062)	X-AA, AC-AL	18
115	24BX2-12-3L	RETAINER-CARD (V07387)	X-AA, AC-AL	6
120	285T0062-28	PANEL-DETAIL	X-AA, AC-AL	1
125	285T0298-7		..PANEL ASSY	X-AA, AC-AL	1
130	BACR15BB4AD		...RIVET- (SIZE DETERMINE ON INST) (NHA 285T0298)	X-AA, AC-AL	8
135	285T0298-5		...SEAL	X-AA, AC-AL	4
140	285T0223-2		...BAR ASSY	X-AA, AC-AL	1
145	MS21209C0615	INSERT	X-AA, AC-AL	2
150	285T0223-10	BAR-SUPPORT	X-AA, AC-AL	1

25-71-02

 ILLUSTRATED PARTS LIST
 01 Page 1082F
 Nov 01/02


BOEING
 COMPONENT
 MAINTENANCE MANUAL

FIG. & ITEM	PART NO.	AIRLINE PART NUMBER	NOMENCLATURE 1234567	EFF CODE	QTY PER ASSY
03-155	285T0223-13		...BAR ASSY-SUPPORT	X-AA, AC-AL	1
160	MS21209C0615	INSERT	X-AA, AC-AL	5
165	285T0223-14	BAR-SUPPORT	X-AA, AC-AL	1
170	285T0062-25		...PANEL ASSY	X-AA, AC-AL	1
175	BACR15BB2AD	RIVET- (SIZE DETERMINE ON INST) (NHA 285T0062)	X-AA, AC-AL	18
180	24BX2-12-3R	RETAINER-CARD (V07387)	X-AA, AC-AL	6
185	285T0062-26	PANEL-DETAIL	X-AA, AC-AL	1
190	285T0062-23		...PANEL ASSY	X-AA, AC-AL	1
195	BACR15BB2AD	RIVET- (SIZE DETERMINE ON INST) (NHA 285T0062)	X-AA, AC-AL	21
200	24BX2-12-3L	RETAINER-CARD (V07387)	X-AA, AC-AL	7
205	285T0062-24	PANEL-DETAIL	X-AA, AC-AL	1
210	285T0298-13		..PANEL ASSY	X-AA, AC-AL	1
215	BACR15BB5AD		...RIVET- (SIZE DETERMINE ON INST) (NHA 285T0298)	X-AA, AC-AL	8
220	285T0298-5		...SEAL	X-AA, AC-AL	2
225	285T0223-2		...BAR ASSY	X-AA, AC-AL	1
230	MS21209C0615	INSERT	X-AA, AC-AL	2
235	285T0223-10	BAR-SUPPORT	X-AA, AC-AL	1

25-71-02

ILLUSTRATED PARTS LIST

01

Page 1082G

Nov 01/02

FIG. & ITEM	PART NO.	AIRLINE PART NUMBER	NOMENCLATURE 1234567	EFF CODE	QTY PER ASSY
03-240	285T0223-13		...BAR ASSY-SUPPORT	X-AA, AC-AL	1
245	MS21209C0615	INSERT	X-AA, AC-AL	5
250	285T0223-14	BAR-SUPPORT	X-AA, AC-AL	1
255	285T0062-21		...PANEL ASSY	X-AA, AC-AL	1
260	BACR15BB2AD	RIVET- (SIZE DETERMINE ON INST) (NHA 285T0062)	X-AA, AC-AL	21
265	24BX2-12-3R	RETAINER-CARD (V07387)	X-AA, AC-AL	7
268	285T0062-22	PANEL	X-AA, AC-AL	1
270	285T0298-11		..PANEL ASSY	X-AA, AC-AL	1
275	BACR15BB4AD		...RIVET- (SIZE DETERMINE ON INST) (NHA 285T0298)	X-AA, AC-AL	6
280	NAS514P632-12		...SCREW	X-AA, AC-AL	4
285	285T0297-4		...BRACKET-HOLD DOWN	X-AA, AC-AL	1
290	285T0298-12		...SEAL	X-AA, AC-AL	2
295	285T0223-1		...BAR ASSY	X-AA, AC-AL	1
300	MS21209C0615	INSERT	X-AA, AC-AL	5
305	285T0223-9	BAR-SUPPORT	X-AA, AC-AL	1
310	285T0223-5		...BAR ASSY-SUPPORT	X-AA, AC-AL	1
315	MS21209C0615	INSERT	X-AA, AC-AL	4

25-71-02

ILLUSTRATED PARTS LIST

01 Page 1082H

Nov 01/02


BOEING
 COMPONENT
 MAINTENANCE MANUAL

FIG. & ITEM	PART NO.	AIRLINE PART NUMBER	NOMENCLATURE 1234567	EFF CODE	QTY PER ASSY
03-320	285T0223-11	BAR-SUPPORT	X-AA, AC-AL	1
325	285T0062-30		...PANEL ASSY	X-AA, AC-AL	1
330	BACR15BA3AD	RIVET- (SIZE DETERMINE ON INST) (NHA 285T0062)	X-AA, AC-AL	4
335	BRFM20A06L	NUTPLATE- (V52828) (SPEC BACN10JN06) (OPT MF53049-06 (V15653)) (OPT MF1000-06BAC (V15653)) (OPT NS103218-62 (V80539)) (OPT RMF9201M62 (V72962)) (OPT VN252A62L (V92215)) (OPT T8124S06S (V11815))	X-AA, AC-AL	2
340	285T0062-31	PANEL-DETAIL	X-AA, AC-AL	1
345	NAS514P632-6		..SCREW	X-AA, AC-AL	4
350	MS35206-205		..SCREW	X-AA, AC-AL	4
355	92-1660-256		..NUT- (V15653) (SPEC BACN10DN26) (OPT 92-1660-26 (V72962))	X-AA, AC-AL	4
360	285T0297-1		..BACKPLATE ASSY	X-AA, AC-AL	2
365	BACR15BA3AD		...RIVET- (SIZE DETERMINE ON INST) (NHA 285T0297)	X-AA, AC-AL	6

25-71-02

ILLUSTRATED PARTS LIST

01

Page 1082I

Nov 01/02

FIG. & ITEM	PART NO.	AIRLINE PART NUMBER	NOMENCLATURE 1234567	EFF CODE	QTY PER ASSY
03-370	BRFM20A06L		...NUTPLATE- (V52828) (SPEC BACN10JN06) (OPT MF53049-06 (V15653)) (OPT MF1000-06BAC (V15653)) (OPT NS103218-62 (V80539)) (OPT RMF9201M62 (V72962)) (OPT VN252A62L (V92215)) (OPT T8124S06S (V11815))	X-AA, AC-AL	2
375	BRFM20A08		...NUTPLATE- (V52828) (SPEC BACN10JN08) (OPT MF53049-08 (V15653)) (OPT MF1000-08BAC (V15653)) (OPT NS103218-82 (V80539)) (OPT RMF9201M82 (V72962)) (OPT VN252A82 (V92215)) (OPT T8124S08S (V11815))	X-AA, AC-AL	1
380	285T0297-3		...SPACER	X-AA, AC-AL	1
385	285T0297-2		...BACKPLATE	X-AA, AC-AL	1
390	NAS1801-06-5		..SCREW	X-AA, AC-AL	3
395	NAS620-6		..WASHER	X-AA, AC-AL	3
400	285T0007-35		..DISPLAY ASSY-BITE (STATIC SENSITIVE PART)	X-AA, AC-AL	1

25-71-02

ILLUSTRATED PARTS LIST

01 Page 1082J

Nov 01/02


BOEING
 COMPONENT
 MAINTENANCE MANUAL

FIG. & ITEM	PART NO.	AIRLINE PART NUMBER	NOMENCLATURE 1234567	EFF CODE	QTY PER ASSY
03-405	NAS1801-06-10		...SCREW	X-AA, AC-AL	4
410	NAS43DD1-16		...SPACER	X-AA, AC-AL	4
415	NAS620-6		...WASHER	X-AA, AC-AL	4
420 420A	BRFM20A06L H10-06BAC		DELETED ...NUT- (V15653) (SPEC BACN10JC06) (OPT RMLH9075-62W (V72962)) (OPT VN303A62 (V92215)) (OPT 96-62 (V80539)) (OPT NS202101-62 (V80539)) (OPT T6S632J (V11815)) (OPT BRH10A06 (V52828))	X-AA, AC-AL	4
425	285T1111-1		...PRINTED CIRCUIT ASSY- (STATIC SENSITIVE PART)	X-AA, AC-AL	1
430	PL1801-04-5	SCREW ASSY-SELF-LOCKING (V03038) (SPEC S285T004-4)	X-AA, AC-AL	2
435	NAS620-4L	WASHER	X-AA, AC-AL	2
440	MS35650-342	NUT- (OPT ITEM 440A)	X-AA, AC-AL	2
-440A	MS35650-344	NUT- (OPT ITEM 440)	X-AA, AC-AL	2
445	D110551	JACKPOST- (V71468)	X-AA, AC-AL	2
450 -450A	C120E104K5XAC 900-14050-10495		DELETED DELETED		

25-71-02

ILLUSTRATED PARTS LIST

01

Page 1082K

Nov 01/02

FIG. & ITEM	PART NO.	AIRLINE PART NUMBER	NOMENCLATURE 1234567	EFF CODE	QTY PER ASSY
R 03-450B	R1206X104K2B04	CAPACITOR-0.1UF, 10 PCT, 50V (VOFDX0) (C2, C4, C11, C13) (SPEC 900-14050-10495) (OPT 12065C104KHT1AV (VOFDX0)) (OPT 7009Y104KXAAT (V95275)) (OPT ITEM 450C)	X-AA, AC-AL	4
R -450C	C1206E104K5XAC	CAPACITOR-0.1UF, 10 PCT, 50V (V31433) (C2, C4, C11, C13) (OPT ITEM 450B)	X-AA, AC-AL	4
R 455 455A	900-14050-10395 R1206X103K2B04		DELETEDCAPACITOR-0.01UF, 10 PCT, 50V (VOFDX0) (C1, C3, C5-C10, C12, C14-C18) (SPEC 900-14050-10395) (OPT 12065C103KHT1AV (VOFDX0)) (OPT 7009Y103KXAAT (V95275))	X-AA, AC-AL	14
460	BCK1500F	RESISTOR-150 OHMS 1 PCT, 1/8W (V01121) (R2-R4, R6, R8, R9, R11, R14-R16, R18, R20, R21, R23)	X-AA, AC-AL	14

25-71-02

ILLUSTRATED PARTS LIST

01 Page 1082L

Nov 01/02


BOEING
 COMPONENT
 MAINTENANCE MANUAL

FIG. & ITEM	PART NO.	AIRLINE PART NUMBER	NOMENCLATURE 1234567	EFF CODE	QTY PER ASSY
03-465	4N54TXV	INDICATOR-LED DISPLAY (V28480) (CR1-CR4) (OPT ITEMS 465A, 465B, 465C, 465D)	X-AA, AC-AL	4
-465A	M87157-00104AAF	INDICATOR-LED DISPLAY (CR1-CR4) (OPT ITEMS 465, 465B, 465C, 465D)	X-AA, AC-AL	4
-465B	M87157-00104AAG	INDICATOR-LED DISPLAY (CR1-CR4) (OPT ITEMS 465, 465A, 465C, 465D)	X-AA, AC-AL	4
-465C	M87157-00104ACF	INDICATOR-LED DISPLAY (CR1-CR4) (OPT ITEMS 465, 465A, 465B, 465D)	X-AA, AC-AL	4
-465D	M87157-00104ACG	INDICATOR-LED DISPLAY (CR1-CR4) (OPT ITEMS 465, 465A, 465B, 465C)	X-AA, AC-AL	4
470	BHG27T12YBLK	INDICATOR-FAULT (V07479) (N112, N113)	X-AA, AC-AL	2
475	M24308-24-40	CONNECTOR- (V81349) (P1)	X-AA, AC-AL	1
480	P4-10065-22	SWITCH- (V21649) (S560)	X-AA, AC-AL	1
485	285T1111-2	BOARD	X-AA, AC-AL	1
R 490	BAC27TEX1486	DECAL-STATIC SENSITIVE	X-AA, AC-AL	1
495	285T0061-43		...BRACKET ASSY-DISPLAY	X-AA, AC-AL	1
500	BACR15BA3AD	RIVET- (SIZE DETERMINE ON INST) (NHA 285T0061)	X-AA, AC-AL	6

25-71-02

ILLUSTRATED PARTS LIST

01

Page 1082M

Nov 01/02

FIG. & ITEM	PART NO.	AIRLINE PART NUMBER	NOMENCLATURE 1234567	EFF CODE	QTY PER ASSY
03-505	BRFM20A06L	NUTPLATE- (V52828) (SPEC BACN10JN06) (OPT MF53049-06 (V15653)) (OPT MF1000-06BAC (V15653)) (OPT NS103218-62 (V80539)) (OPT RMF9201M62 (V72962)) (OPT VN252A62L (V92215)) (OPT T8124S06S (V11815))	X-AA, AC-AL	3
R 510	285T0061-40	BRACKET	X-AA, AC-AL	1
R 515	BAC27TEX3790	DECAL	X-AA, AC-AL	1
520	285T0061-15		..PANEL-CONNECTOR	X-AA, AC-AL	1
525	285T0062-12		..PANEL-CONNECTOR	X-AA, AC-AL	1
530	285T0062-11		..PANEL-CONNECTOR	X-AA, AC-AL	1
535	NAS1801-04-5		..SCREW	X-AA, AC-AL	20
540	NAS1801-04-5		..SCREW	X,AA, AC-AH ,AK,A L	2
545	NAS1801-04-5		..SCREW	X,Z,A A,A C-AF, AH,AK	2
550	NAS1801-04-5		..SCREW	X,AA, AD,AH	2

25-71-02

 ILLUSTRATED PARTS LIST
 01 Page 1082N
 Nov 01/02


BOEING
 COMPONENT
 MAINTENANCE MANUAL

FIG. & ITEM	PART NO.	AIRLINE PART NUMBER	NOMENCLATURE 1234567	EFF CODE	QTY PER ASSY
03-555	NAS1801-04-6		..SCREW	Y,Z,A C,AE, AG,A J-AL	2
560	NAS1801-04-6		..SCREW	Y,AG, AJ,AL	2
565	NAS1801-04-6		..SCREW	Y,AG, AJ	2
570	MS35338-40		..WASHER	X-AA, AC-AL	20
575	MS35338-40		..WASHER	X,AA, AC-AF ,AH,A K,AL	2
580	MS35338-40		..WASHER	X,Z,A A,A C-AF, AH,AK	2
585	MS35338-40		..WASHER	X,AA, AD,AH	2
590	H10-04BAC		..NUT- (V15653) (SPEC BACN10JC04) (OPT NS202101-40 (V80539)) (OPT RMLH9075-40W (V72962)) (OPT VN303A40 (V92215)) (OPT 96-40 (V80539)) (OPT BRH10A04 (V52828)) (OPT T6S440J (V11815))	Y,Z,A C,A E-AG, AJ-AL	2

25-71-02

ILLUSTRATED PARTS LIST

01 Page 10820

Nov 01/02

FIG. & ITEM	PART NO.	AIRLINE PART NUMBER	NOMENCLATURE 1234567	EFF CODE	QTY PER ASSY
03-595	H10-04BAC		..NUT- (V15653) (SPEC BACN10JC04) (OPT NS202101-40 (V80539)) (OPT RMLH9075-40W (V72962)) (OPT VN303A40 (V92215)) (OPT 96-40 (V80539)) (OPT BRH10A04 (V52828)) (OPT T6S440J (V11815))	Y,AG, AJ,AL	2
600	H10-04BAC		..NUT- (V15653) (SPEC BACN10JC04) (OPT NS202101-40 (V80539)) (OPT RMLH9075-40W (V72962)) (OPT VN303A40 (V92215)) (OPT 96-40 (V80539)) (OPT BRH10A04 (V52828)) (OPT T6S440J (V11815))	Y,AG, AJ	2
605	MS35338-44		..WASHER	X-AA, AC-AL	1
610	108-0740-001		..JACK-BANANA (V74970)	X-AA, AC-AL	1
615	BACR15BB4AD		..RIVET- (SIZE DETERMINE ON INST) (NHA 285T0007)	X-AA, AC-AL	24

25-71-02

ILLUSTRATED PARTS LIST

01 Page 1082P

Nov 01/02


BOEING
 COMPONENT
 MAINTENANCE MANUAL

FIG. & ITEM	PART NO.	AIRLINE PART NUMBER	NOMENCLATURE 1234567	EFF CODE	QTY PER ASSY
03-620	YHLZG16-1		..BLOCK-TERMINAL (V09922)	X-AA, AC-AL	6
625	NAS1801-06-6		..SCREW	X-AA, AC-AL	16
630	NAS603-7P		..SCREW	X-AA, AC-AL	2
635	NAS623-3-2		..SCREW	X-AA, AC-AL	3
640	NAS1149D0332J		..WASHER	X-AA, AC-AL	3
645	MS21042L3		..NUT	X-AA, AC-AL	3
650	TM3S10		..PLATE- (V06383) (SPEC STBP19M12)	X-AA, AC-AL	5
655	NAS1801-08-6		..SCREW	X-AA, AC-AL	4
660	NAS1149DN816J		..WASHER	X-AA, AC-AL	4
665	H10-08BAC		..NUT- (V15653) (SPEC BACN10JC08) (OPT NS202101-82 (V80539)) (OPT RMLH9075-82W (V72962)) (OPT VN303A82 (V92215)) (OPT 96-82 (V80539)) (OPT BRH10A08 (V52828)) (OPT T6S832J (V11815))	X-AA, AC-AL	4
670	10S1034A		..FILTER- (V13619) (M1102, M1103)	X-AA, AC-AL	2

25-71-02

ILLUSTRATED PARTS LIST

01

Page 1082Q

Nov 01/02

FIG. & ITEM	PART NO.	AIRLINE PART NUMBER	NOMENCLATURE 1234567	EFF CODE	QTY PER ASSY
03-675	VNS1924CA1-8		..STUD-GROUND (V5M902) (SPEC BACS53B1EA1) (OPT VNS1924CA3-1-8 (V92215))	X-AA, AC-AL	1
680	285T0400-1		..BRACKET ASSY	X-AA, AC-AL	1
685	BACR15BA3AD		...RIVET- (SIZE DETERMINE ON INST) (NHA 285T0400)	X-AA, AC-AL	8
690	RMF9201M40		...NUTPLATE- (V72962) (SPEC BACN10JN04) (OPT BRFM20A04L (V52828)) (OPT MF1000-04BAC (V15653)) (OPT NS103218-40 (V80539)) (OPT MF53049-04 (V15653)) (OPT T8124S04S (V11815)) (OPT VN252A40L (V92215))	X-AA, AC-AL	4
695	285T0400-2		...BRACKET	X-AA, AC-AL	1
700	XD4N		..RELAY- (V58657) (K598, K599)	X-AA, AC-AL	2
705	NAS1801-04-5		..SCREW	X-AA, AC-AL	4
710	NAS1801-04-6		..SCREW	X-AA, AC-AL	32

25-71-02

 ILLUSTRATED PARTS LIST
 01 Page 1082R
 Nov 01/02


BOEING
 COMPONENT
 MAINTENANCE MANUAL

FIG. & ITEM	PART NO.	AIRLINE PART NUMBER	NOMENCLATURE 1234567	EFF CODE	QTY PER ASSY
03-715	H10-04BAC		..NUT- (V15653) (SPEC BACN10JC04) (OPT NS202101-40 (V80539)) (OPT RMLH9075-40W (V72962)) (OPT VN303A40 (V92215)) (OPT 96-40 (V80539)) (OPT BRH10A04 (V52828)) (OPT T6S440J (V11815))	X-AA, AC-AL	32
720	S0-1064-007		..SOCKET- (V35344) (D1503, D1505)	X-AA, AC-AL	2
-725	286T0045		..WIRE BUNDLE ASSY	X-AA, AC-AL	1
R 730	BAC27TEX1662		..MARKER-ALUMINUM FOIL, P51 WARNING ELECTRONICS UNIT CARD FILE	X-AA, AC-AL	1
R 735	BAC27TEX2017		..DECAL	X-AA, AC-AL	1
R 740	BAC27TEX1		..MARKER	X-AA, AC-AL	1
R 745	BAC27TEX3370		..MARKER	X-AA, AC-AL	1
R 750	BAC27TEX3312		..DECAL	X-AA, AC-AL	1
R 755	BAC27TEX3890		..MARKER	X-AA, AC-AL	1
R 760	BAC27TEX2952		..DECAL	X-AA, AC-AL	1
R 765	BAC27EEL22704		..DECALSET-(INCLUDES DECALS IDENTIFIED ON THE LLUSTRATION)	X-AA, AC-AL	1

25-71-02

ILLUSTRATED PARTS LIST

01

Page 1082S

Nov 01/02

FIG. & ITEM	PART NO.	AIRLINE PART NUMBER	NOMENCLATURE 1234567	EFF CODE	QTY PER ASSY
R 03-770	BAC27TEX1993		. .MARKER-ATTENTION ELECTROSTATIC GROUND JACK	X-AA, AC-AL	1
775	285T0018-11		.PLATE-COVER	Z,AC, AE,AF ,AK	1
780	285T0018-11		.PLATE-COVER	AL	2
785	285T0018-11		.PLATE-COVER	Y,AG, AJ	3
790	285T0007-34		.ENCLOSURE ASSY- (FOR DETAILS SEE FIG. 2)	Y,Z	1
-790A	285T0007-55		.ENCLOSURE ASSY- (FOR DETAILS SEE FIG. 2)	X,AC, AF,AG	1
-790B	285T0007-62		.ENCLOSURE ASSY- (FOR DETAILS SEE FIG. 2)	AA,AD ,AE,A H-AL	1
R 795	BAC27TEX4564		.DECAL	Y,AG, AJ	1
R 800	BAC27TEX4563		.DECAL	AA,AD ,AH	1
R 805	BAC27TEX4565		.DECAL	X,Z,A C,AE, AF	1
R 810	BAC27TEX4726		.DECAL	AL	1
R 815	BAC27TEX5608		.DECAL	AK	1

- Item Not Illustrated

25-71-02

ILLUSTRATED PARTS LIST
 01 Page 1082T
 Nov 01/02